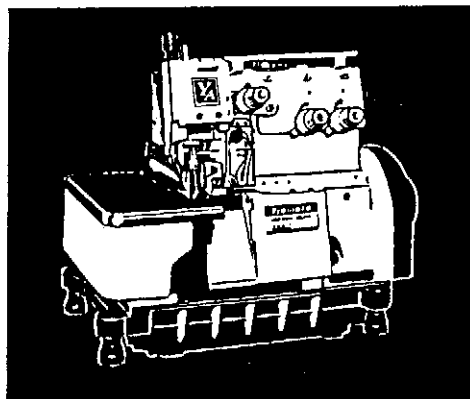


# ***Jamato***<sup>®</sup>

INDUSTRIAL SEWING MACHINE

ILLUSTRATED SPARE PARTS LIST  
FOR  
HIGH SPEED  
SAFETY STITCH MACHINE



MODELS YA6500H

EDITION #2

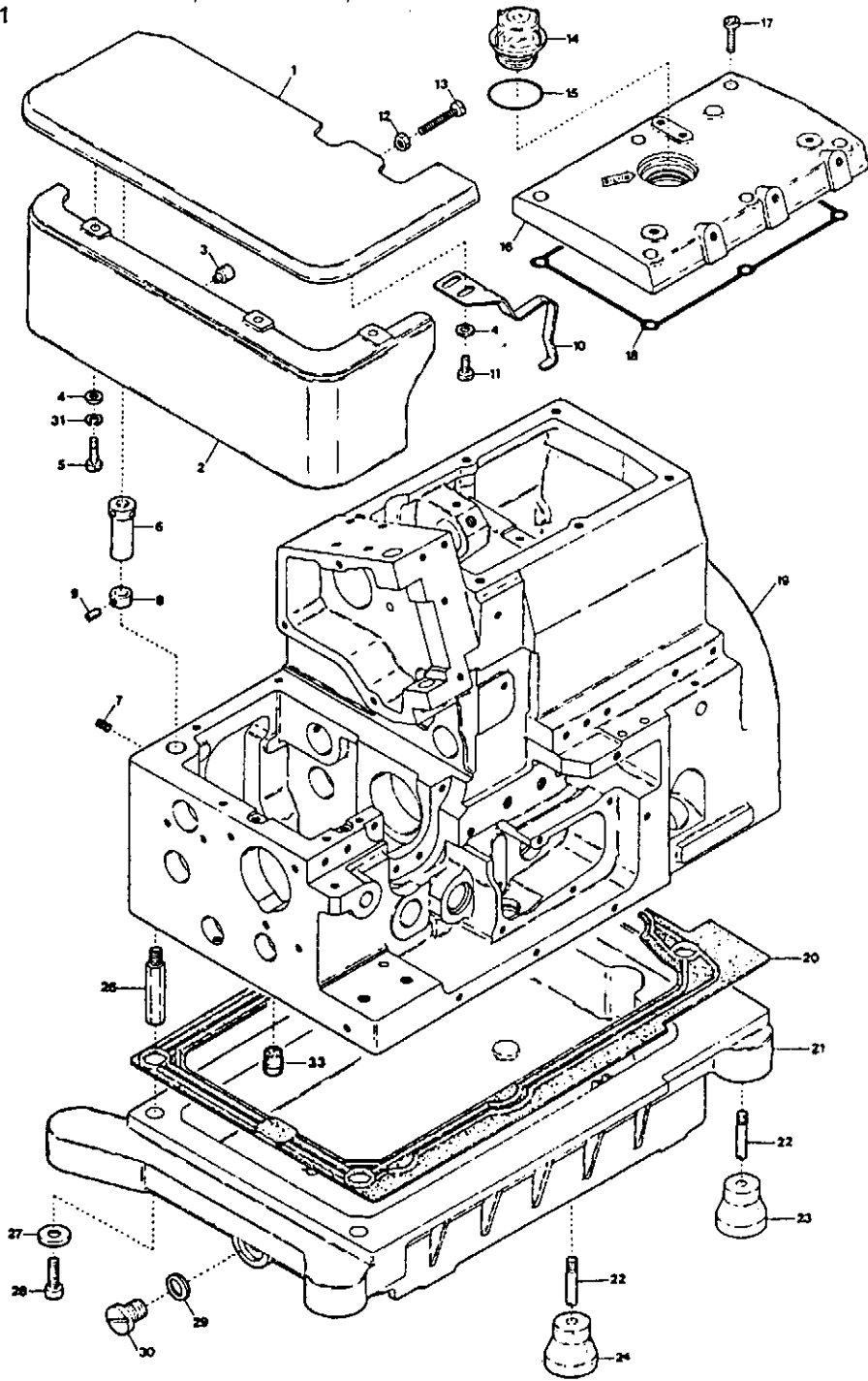
---

## CONTENTS

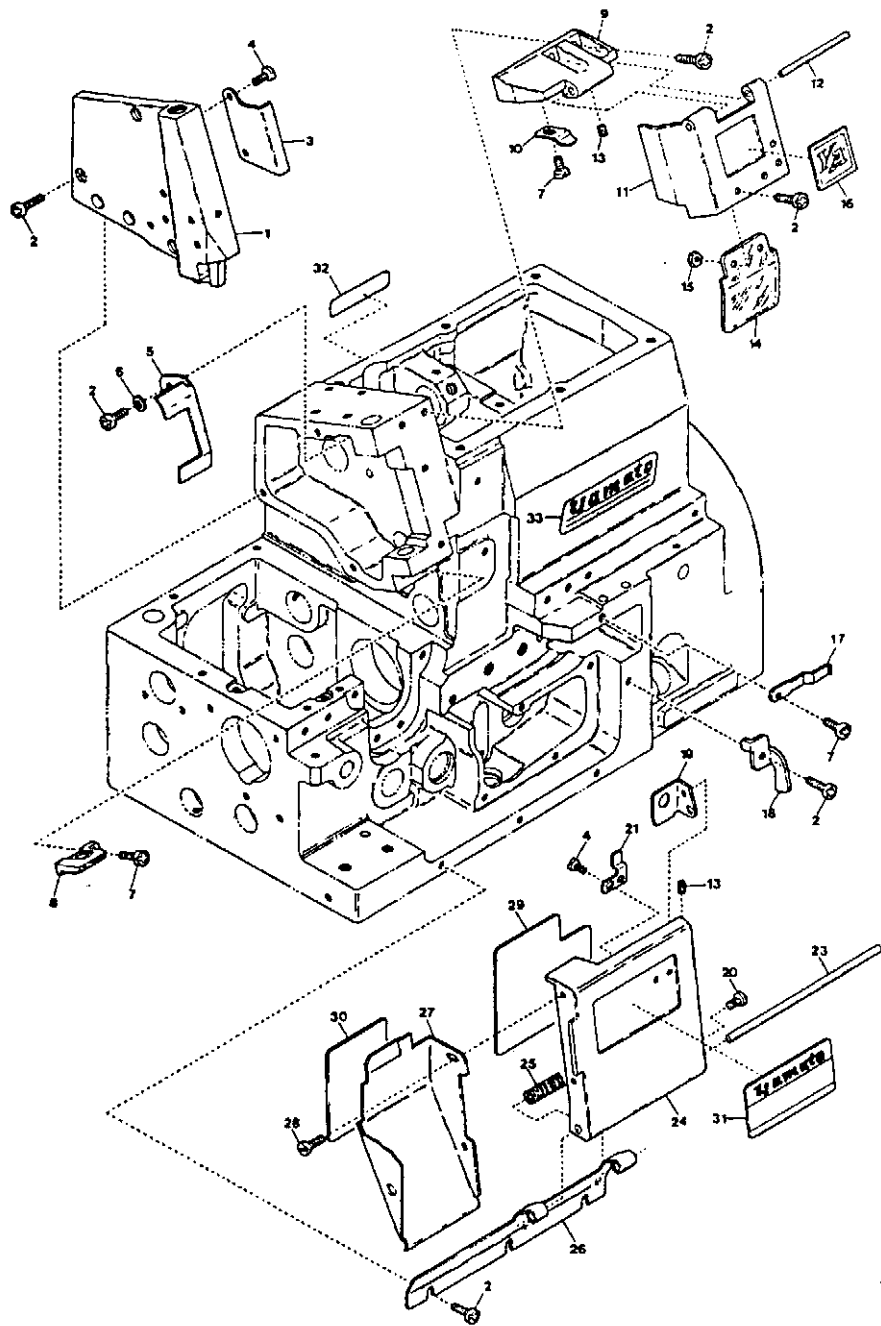
MISCELLANEOUS COVERS	(1)	1	
"	"	(2)	2
"	"	(3)	3
MISCELLANEOUS THREAD EYELETS		4	
MISCELLANEOUS BUSHINGS & CRANKSHAFT		5	
NEEDLE BAR DRIVING MECHANISM		6	
KNIFE DRIVING MECHANISM		7	
PRESSER FOOT MECHANISM		8	
UPPER LOOPER DRIVING MECHANISM		9	
LOWER & DOUBLE CHAINING LOOPER DRIVING MECHANISM		10	
FEED DRIVING CONTROL MECHANISM		11	
FEED DRIVING MECHANISM		12	
LUBRICATING MECHANISM	(1)	13	
"	"	(2)	14
THREAD STAND & SUPPORTING BOARD		15	

---

1



MISCELLANEOUS COVERS (1)			1
Ref. No.	Parts No.	Description	Amt. Req.
1	2100006	Cloth Plate .....	1
2	2100013	Cloth Plate (Lower) .....	1
3	2100014	Rubber Cushion .....	1
4	001123	Washer .....	5
5	110045	Screw (M4-0.7X12) .....	3
6	2100011	Cloth Plate Eccentric Bushing .....	1
7	160001	Screw (M4-0.7X4) .....	1
8	2100012	Collar .....	1
9	003637	Screw (1/8-44X2.5) .....	1
10	2100008	Cloth Plate Spring .....	1
11	110012	Screw (M4-0.7X5) .....	2
12	100001	Lock Nut .....	1
13	110010	Stop Screw (M4-0.7X16) .....	1
14	0020004	Oil Cap .....	1
15	0020005	O-ring .....	1
16	2100053	Top Cover .....	1
17	110016	Screw (M4-0.7X15) .....	6
18	2100054	Top Cover Gasket .....	1
19	2100001	Machine Frame .....	1
20	2100003	Oil Reservoir Gasket .....	1
21	2100002	Oil Reservoir .....	1
22	006816	Screw (1/4-24X8) .....	4
23	0032879	Oil Reservoir Rubber Cushion .....	3
24	0033627	Oil Reservoir Rubber Cushion .....	1
25	.....	.....	...
26	2100059	Oil Reservoir Positioning Bar .....	4
27	300004	Washer .....	4
28	120017	Screw (M5-0.8X15) .....	4
29	0020137	Drain Hole Seal .....	1
30	0050075	Drain Hole Screw (3/8-24X8) .....	1
31	000644	Spring Washer .....	3
32	.....	.....	...
33	330014	Seal Plug .....	1

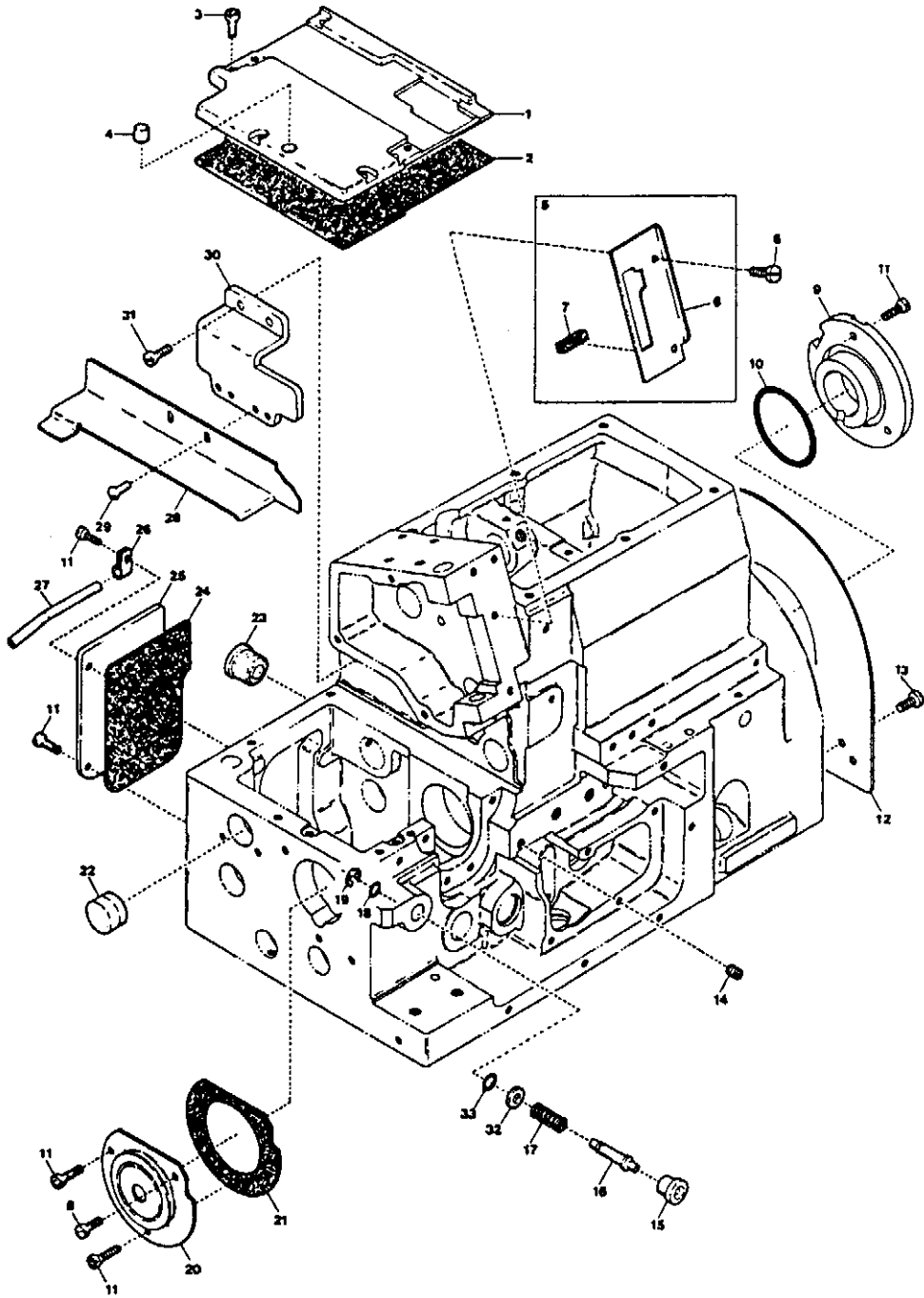


MISCELLANEOUS COVERS (2)

2

Ref. No.	Parts No.	Description	Amt. Req.
1	2100028	Side Cover .....	1
2	110013	Screw (M4-0.7X8) .....	12
3	2100049	Needle Bar Cover (left) .....	1
4	110054	Screw (M3-0.5X3.5) .....	4
5	2100048	Needle Bar Cover (Rear) .....	1
6	000538	Washer .....	1
7	110012	Screw (M4-0.7X5) .....	3
8	2100143	Needle Bar Oil Defender .....	1
9	2100018	Needle Thread Cover Hinge .....	1
10	2100019	Needle Thread Cover Hinge Spring .....	1
11	2100017	Needle Thread Cover .....	1
12	2100020	Needle Thread Cover Hinge Pin .....	1
13	003637	Screw (1/8-44X2.5) .....	3
14	2100081	Safety Plate .....	1
15	100001	Nut .....	2
16	390019	"YA" Mark (Blue) .....	1
17	2100538	Front Cover Latch Spring .....	1
18	2100022	Front Cover Hook Guide .....	1
19	0024446	Front Cover Hook .....	1
20	001330	Screw (M9/64-40X3.8) .....	1
21	0024085	Front Cover Latch .....	1
22	.....	.....	.....
23	0020016	Front Cover Hinge Pin .....	1
24	2100024	Front Cover .....	1
25	0024095	Front Cover Hinge Spring .....	1
26	2100025	Front Cover Hinge .....	1
27	2100703	Chip Guard (Openable) .....	1
28	110003	Screw (M3.5-0.6X6) .....	2
29	390577	Threading Chart (Right) .....	1
30	390513	Threading Chart (Left) .....	1
31	2129420	Model Plate .....	1
32	390098	Brand Name Plate (Small) .....	1
33	390097	Brand Name Plate (Large) .....	1

3

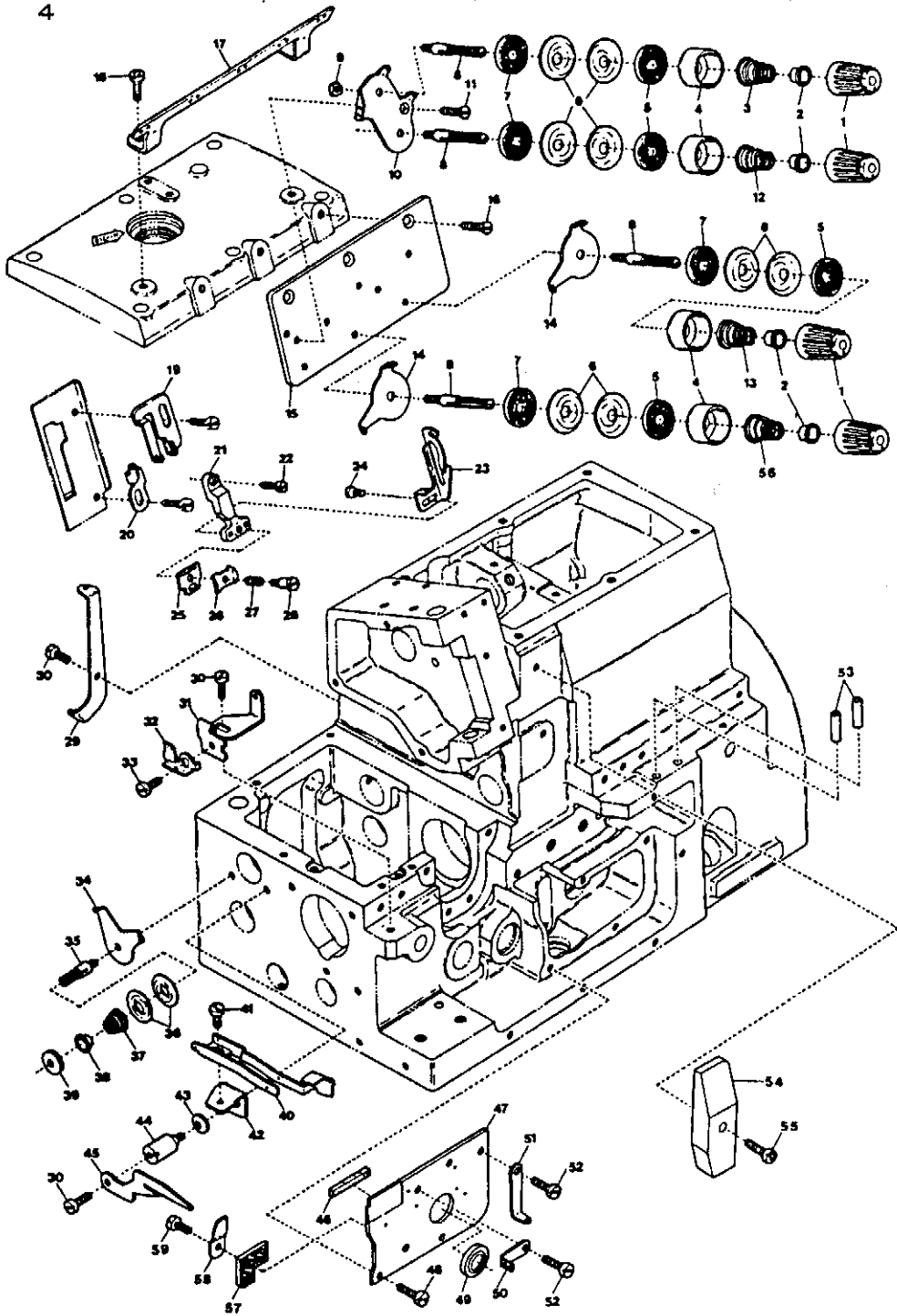


MISCELLANEOUS COVERS (3)

3

Ref. No.	Parts No.	Description	Amt. Req.
1	2100035	Feed Mechanism Cover .....	1
2	2100036	Feed Mechanism Cover Gasket .....	1
3	110048	Screw (M4-0.7X10) .....	5
4	2100047	Rubber Cushion .....	1
5	2100525	Connecting Link Cover (Front), C. Set .....	1
6	2100039	Connecting Link Cover (Front) .....	1
7	2100526	Needle Bar Oiling Felt (Front) .....	1
8	110001	Screw (M4-0.7X5.4) .....	3
9	2100093	Ball Bearing Holder .....	1
10	2100122	O-ring .....	1
11	110013	Screw (M4-0.7X8) .....	9
12	2100318	Fan Cover .....	1
13	110012	Screw (M4-0.7X5) .....	2
14	150001	Screw (M4-0.7X4) .....	1
15	2100045	Push-button .....	1
16	2100044	Push-button Pin .....	1
17	2100043	Push-button Spring .....	1
18	0020472	O-ring .....	1
19	0033024	Retaining Ring .....	1
20	2100401	Ball Bearing Housing .....	1
21	2100042	Ball Bearing Housing Gasket .....	1
22	0036518	Seal Plug .....	1
23	2100110	Seal Plug .....	1
24	2100038	Tail Cover Gasket .....	1
25	2100037	Tail Cover .....	1
26	0093528	Looper Thread Pipe Stay .....	1
27	0021735	Looper Thread Pipe .....	1
28	2100029	Fabric Guide Plate .....	1
29	001331	Screw (9/64-40X3.8) .....	2
30	2100030	Fabric Guide Plate Support .....	1
31	110035	Screw (M4-0.7X10) .....	2
32	000520	Washer .....	1
33	2100080	O-ring .....	1





MISCELLANEOUS THREAD EYELETS

4

Ref. No.	Parts No.	Description	Amt. Req.
1	0024084	Thread Tension Spring Cap .....	4
2	0024083	Tension Spring Bushing .....	4
3	0024156	Needle Thread Tension Spring .....	1
4	0020118	Thread Tension Spring Retainer .....	4
5	000178	Felt .....	4
6	0031111	Tension Disc .....	8
7	000177	Felt .....	4
8	004265	Tension Post .....	4
9	000340	Nut .....	1
10	2100074	Tension Disc Eyelet for Needle Thread .....	1
11	001396	Screw (11/64-40X6.5) .....	1
12	0030255	Needle Thread Tension Spring .....	1
13	0024157	Lower Looper Thread Tension Spring .....	1
14	0020101	Tension Disc Eyelet for Looper Thread .....	2
15	2100062	Tension Disc Eyelet Support .....	1
16	130007	Screw (M4-0.7X10) .....	3
17	2100063	Thread Guide Plate .....	1
18	110013	Screw (M4-0.7X8) .....	2
19	2100520	Needle Thread Eyelet .....	1
20	2100702	Double Chaining Needle Thread Eyelet .....	1
21	2100071	Needle Bar Thread Retainer Bracket .....	1
22	110029	Screw (M3.5-0.6X6) .....	1
23	2100701	Needle Thread Pull-off .....	1
24	001228	Screw (3/32-56X3.2) .....	2
25	2100592	Thread Retainer Plate Support .....	1
26	0032425	Thread Retainer Plate .....	1
27	0020131	Thread Retainer Spring .....	1
28	001095	Screw (1/8-44X8.5) .....	1
29	2100404	Double Chaining Looper Thread Eyelet (Rear) .....	1
30	110008	Screw (M4-0.7X5) .....	3
31	2100405	Double Chaining Looper Thread Eyelet (Left) .....	1
32	0020169	Thread Eyelet Stopper .....	1
33	110040	Screw (M3.5-0.6X3.5) .....	1
34	0020123	Tension Disc Eyelet .....	1
35	190002	Tension Post .....	1
36	0020124	Tension Disc .....	2
37	0020125	Double Chaining Looper Tension .....	1
38	0020126	Tension Spring Bushing .....	1
39	000182	Adjusting Nut .....	1
40	2100167	Double Chaining Looper Thread Eyelet .....	1

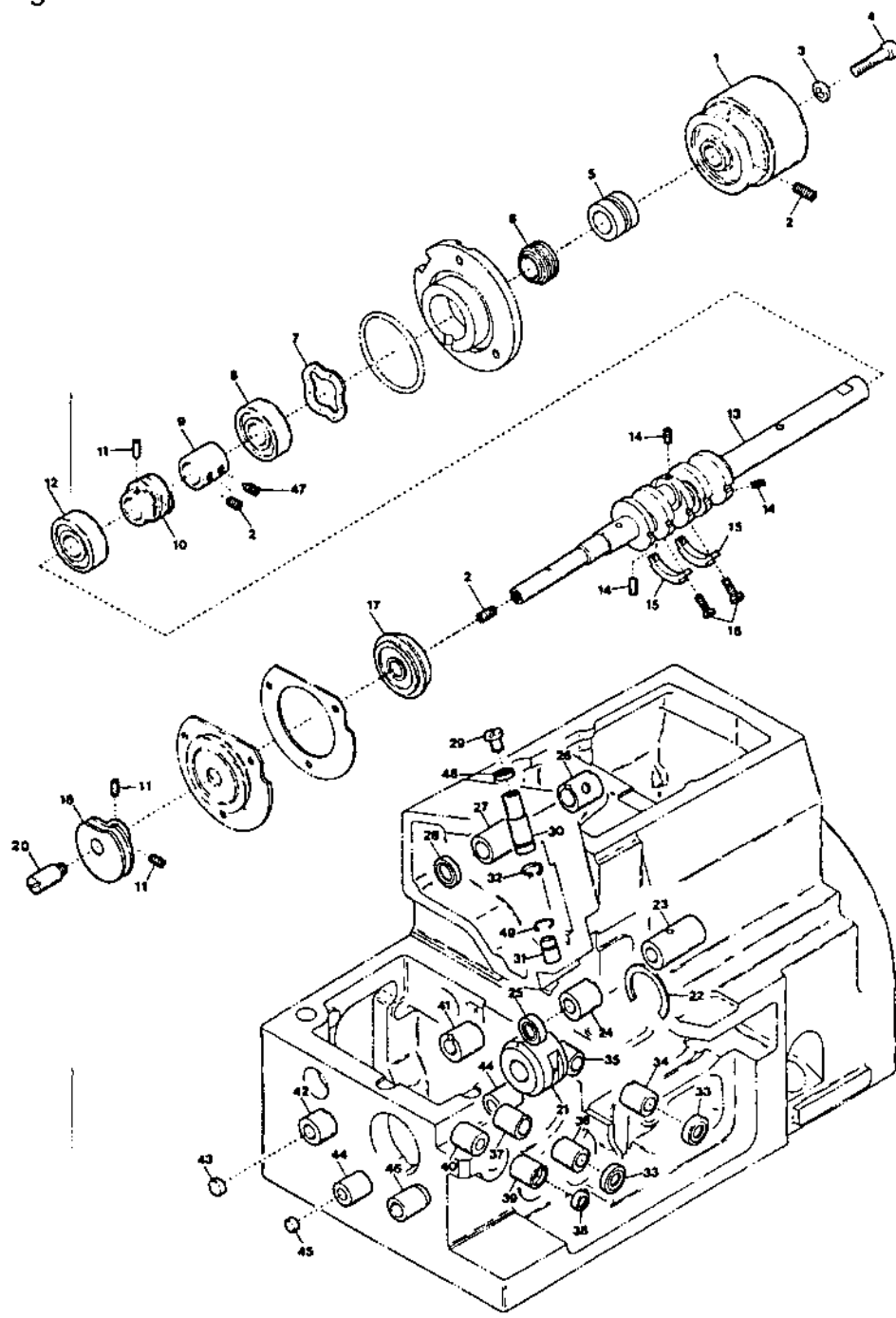
\* Ref. No. 41 to 59 ..... See the following page.

MISCELLANEOUS THREAD EYELETS

4

Ref. No.	Parts No.	Description	Amt. Req.
41	009853	Screw (1/64-40X6.5) .....	1
42	0020165	Thread Eyelet Bracket .....	1
43	000010	Conical Spring Washer .....	1
44	190000	Screw (M4-0.7X7) .....	1
45	0020166	Thread Retaining Finger .....	1
46	2100229	Looper Holder Cover Spacer (Rubber) .....	1
47	2100060	Looper Holder Cover .....	1
48	110009	Screw (M4-0.7X8) .....	2
49	0093303	Looper Driving Shaft Oil Seal .....	1
50	2100521	Looper Thread Eyelet (Left) .....	1
51	2100065	Lower Looper Thread Eyelet (Right) .....	1
52	110035	Screw (M4-0.7X10) .....	2
53	0022215	Looper Thread Pip .....	2
54	2100606	Dust-proff Cover .....	1
55	110012	Screw (M4-0.7X5) .....	1
56	0032952	Upper Looper Thread Tension Spring .....	1
57	2100586	Looper Holder Cover Felt .....	1
58	2100524	Felt Clamp .....	1
59	110030	Screw (M3-0.5X2.6) .....	1

\* Ref. No. 1 to 40 ..... See the following page.

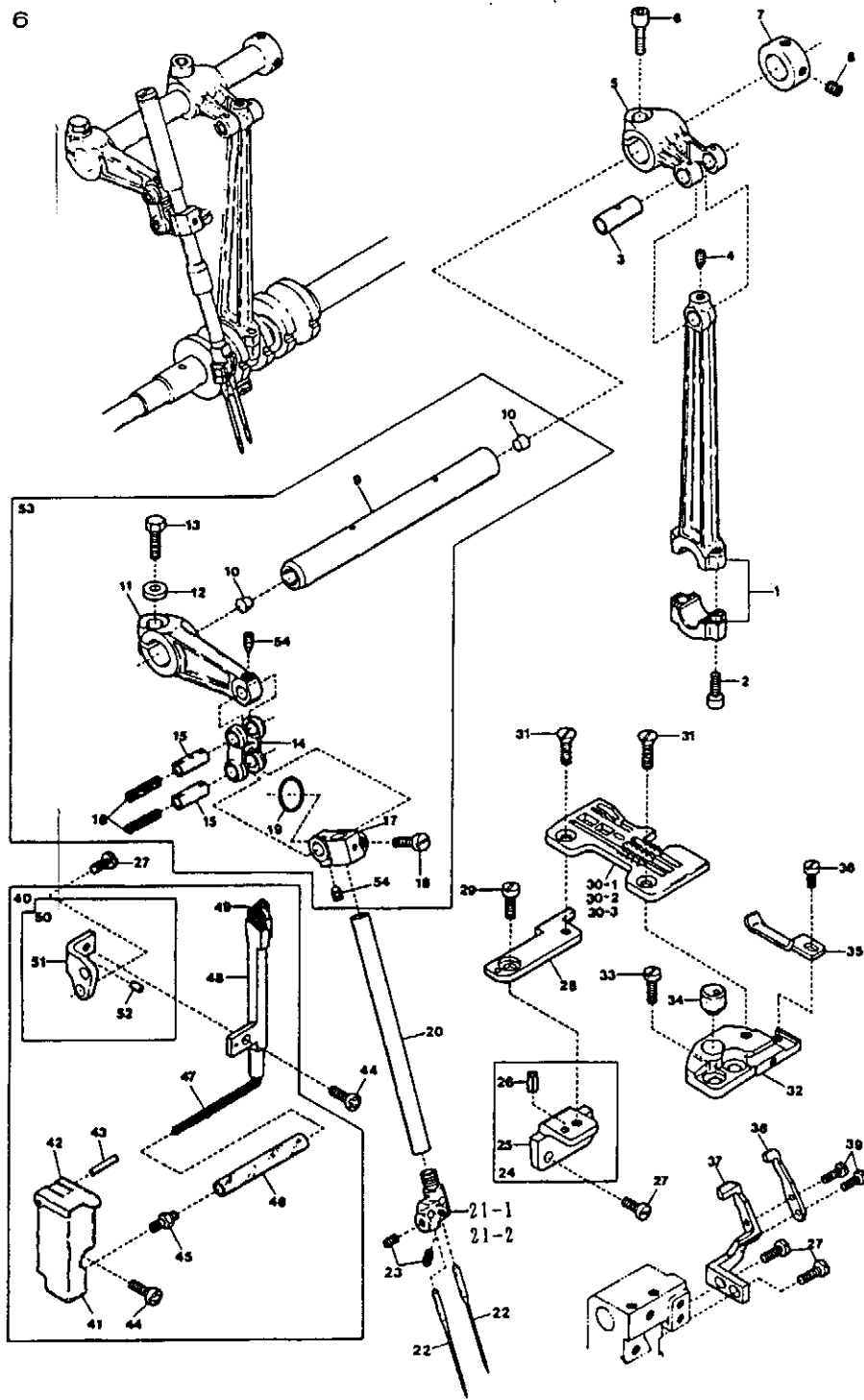


MISCELLANEOUS BUSHINGS & CRANKSHAFT

5

Ref. No.	Parts No.	Description	Amt. Req.
1	2100090	Pulley .....	1
2	160007	Screw (M6-1X6) .....	4
3	000474	Washer .....	1
4	009753	Screw (M6-1X30) .....	1
5	2100625	Mechanical Oil Shield Sleeve .....	1
6	2100092	Mechanical Oil Shield .....	1
7	2100113	Corrugated Washer .....	1
8	2100121	Crankshaft Ball Bearing (Right) .....	1
9	2100312	Crankshaft Sleeve .....	1
10	2100364	Oil Pump Driving Worm .....	1
11	160001	Screw (M4-0.7X4) .....	4
12	2100120	Crankshaft Ball Bearing (Center) .....	1
13	2100501	Crankshaft .....	1
14	160000	Screw (M3-0.5X3) .....	3
15	2100111	Crankshaft Counterweight .....	2
16	110036	Screw (M3-0.5X6.5) .....	4
17	2100095	Crankshaft Ball Bearing (Left) .....	1
18	2120537	Double Chaining Looper Thread Take-up .....	1
19		.....	.....
20	2100410	Thread Take-up Pin .....	1
21	2100109	Crankshaft Bushing .....	1
22	2100112	Retaining Ring .....	1
23	2100105	Upper Knife Shaft Bushing (Right) .....	1
24	2100104	Upper Knife Shaft Bushing (Left) .....	1
25	2100117	Upper Knife Shaft Oil Seal .....	1
26	2110242	Needle Bar Shaft Bushing (Right) .....	1
27	2100243	Needle Bar Shaft Bushing (Left) .....	1
28	0032684	Needle Bar Shaft Oil Seal .....	1
29	003636	Cap Screw (5/16-32X3.5) .....	1
30	2100613	Needle Bar Bushing (Upper) .....	1
31	2100614	Needle Bar Bushing (Lower) .....	1
32	310009	Oil Wick .....	1
33	2100272	Looper Shaft Oil Seal .....	2
34	2100202	Upper Looper Shaft Bushing (Front) .....	1
35	2100370	Upper Looper Shaft Bushing (Rear) .....	1
36	2100114	Lower Looper Shaft Bushing (Front) .....	1
37	2100115	Lower Looper Shaft Bushing (Rear) .....	1
38	0077301	Looper Shaft Oil Seal .....	1
39	2100412	Double Chaining Looper Shaft Bushing (Front) .....	1
40	2100413	Double Chaining Looper Shaft Bushing (Rear) .....	1
41	2100097	Feed Bar Shaft Bushing (Right) .....	1
42	2100096	Feed Bar Shaft Bushing (Left) .....	1
43	2100034	Seal Plug .....	1
44	2100414	Looper Rocker Shaft Bushing .....	2
45	2100417	Seal Plug .....	1
46	2100098	Control Lever Shaft Bushing .....	1
47	160005	Screw (M6-1X8) .....	1
48	000526	Gasket .....	1
49	310021	Oil Wick (Laced Wire) .....	1

6



**NEEDLE BAR DRIVING MECHANISM**

6

Ref. No.	Parts No.	Description	Amt. Req.
1	2100132	Needle Bar Driving Connecting Rod .....	1
2	120001	Screw (M4-0.7X14) .....	2
3	2100144	Needle Bar Driving Connecting Rod Pin .....	1
4	160002	Screw (M4-0.7X5) .....	1
5	2100134	Needle Bar Driving Lever .....	1
6	120006	Screw (M6-1X12) .....	1
7	2100137	Collar .....	1
8	160003	Screw (M5-0.8X5) .....	2
9	2100540	Needle Bar Driving Shaft .....	1
10	330006	Seal Plug .....	2
11	2100136	Needle Bar Crank Arm.....	1
12	300008	Washer .....	1
13	140003	Screw (M6-1X18) .....	1
14	2100138	Needle Bar Connecting Link .....	1
15	2100620	Needle Bar Connecting Link Pin .....	2
16	310051	Oil Wick .....	2
17	2100140	Needle Bar Connecting Bracket .....	1
18	110006	Screw (M3.5-0.6X10) .....	1
19	0068079	O-ring .....	1
20	2100642	Needle Bar .....	1
21	2109122	Needle Clamp (C) .....	1
22	.....	Needle (System: DCX27) .....	2
23	003637	Screw (1/8-44X2.5) .....	2
24	2100503	Stitch Plate Support Stay, C. Set .....	1
25	2100504	Stitch Plate Support Stay .....	1
26	000035	Roll Pin .....	1
27	110009	Screw (M4-0.7X8) .....	6
28	2100502	Stitch Plate Support (Rear) .....	1
29	110001	Screw (M4-0.7X5.4) .....	1
30-1	2108050	Stitch Plate (A4) .....	1
30-2	2108076	" (C5) .....	1
31	005345	Screw (11/64-40X8.3) .....	2
32	2100145	Stitch Plate Support (Front) .....	1
33	110011	Screw (M5-0.8X10) .....	2
34	0032604	Rubber Cushion .....	1
35	2109211	Needle Guard (Front) (Double Chain Stitch) .....	1
36	110002	Screw (M3-0.5X5) .....	1
37	2109212	Needle Guard (Rear) (Double Chain Stitch) .....	1
38	2109210	Needle Guard (Front) (Overlock Stitch) .....	1
39	110027	Screw (M2.5-0.45X3.5) .....	2
40	2100532	HR Unit, Complete Set .....	1

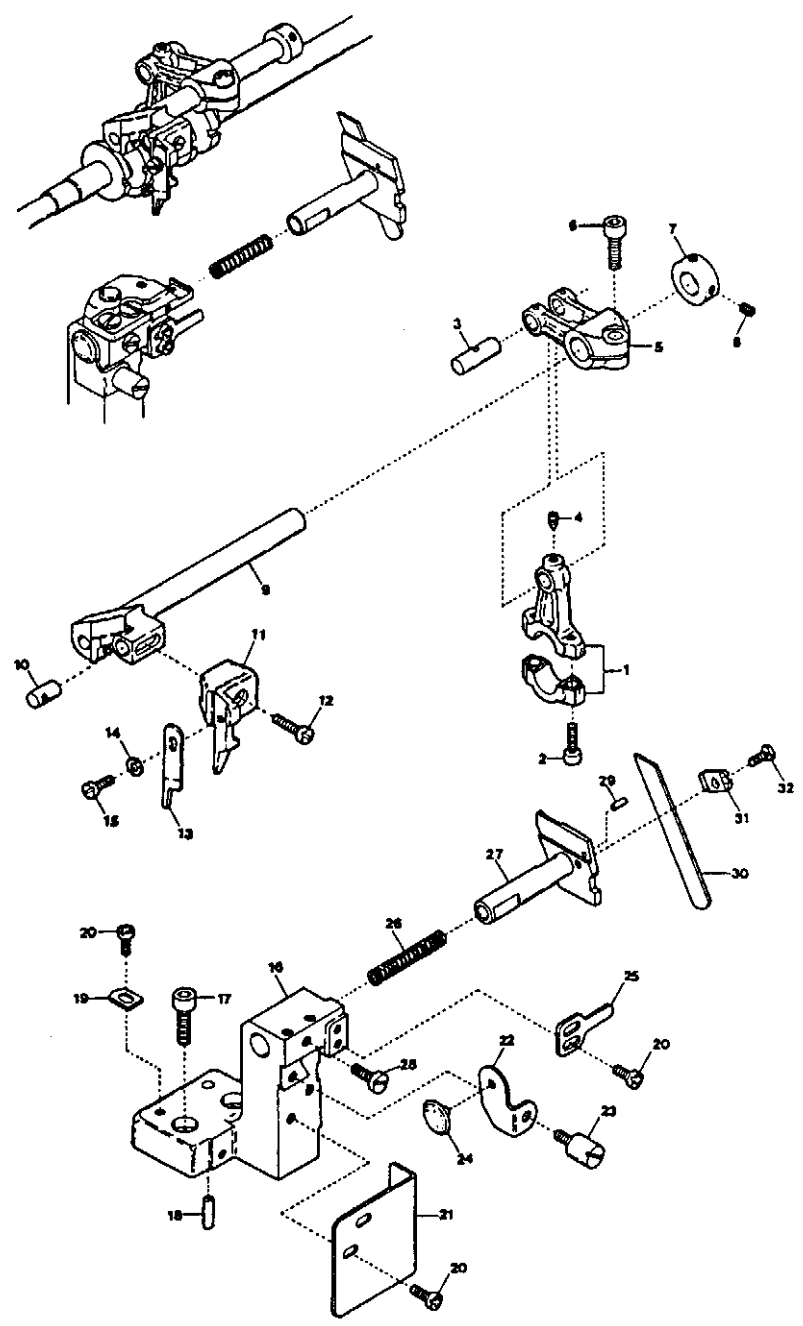
\* Ref. No. 41 to 54 ..... See the following page.

NEEDLE BAR DRIVING MECHANISM.

Ref. No.	Parts No.	Description	Amt. Req.
41	2100148	HR Cup .....	1
42	0033968	HR Cup Lid .....	1
43	000693	Pin .....	1
44	110013	Screw (M4-0.7X8) .....	2
45	009909	Tube Joint .....	1
46	2100152	Oil Tube (70 mm) .....	1
47	310005	Oil Wick .....	1
48	2100533	HR Felt Holder .....	1
49	310001	HR Felt .....	1
50	2100535	HR Felt Holder Bracket, C. Set .....	1
51	2100536	HR Felt Holder Bracket .....	1
52	000393	Roll Pin .....	1
53	2100153	Needle Bar Crank Arm, C. Set .....	1
54	160016	Screw (M4-0.7X4.5) .....	2

※ Ref. No. 1 to 40 ..... See the preceding page.

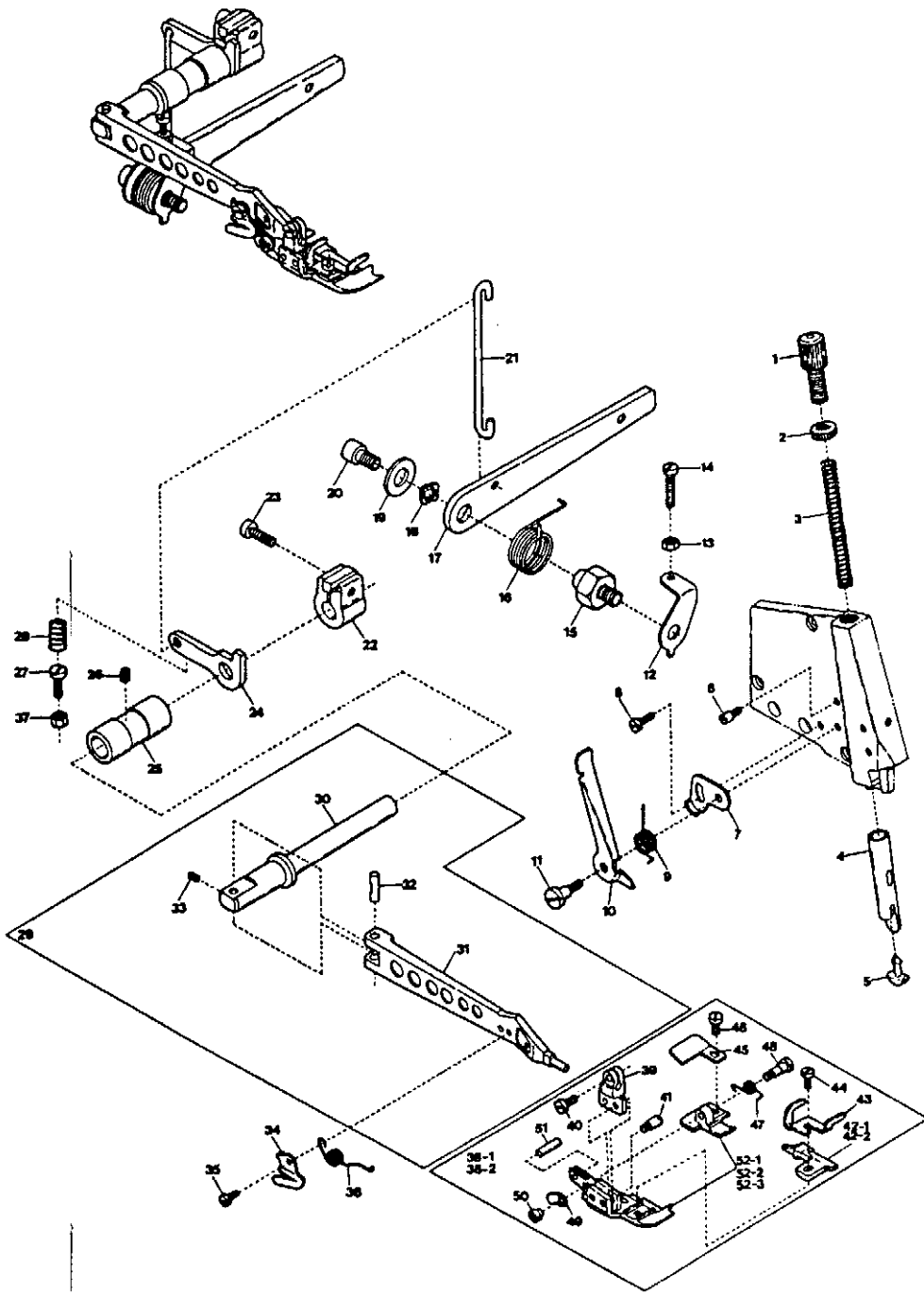




KNIFE DRIVING MECHANISM

7

Ref. No.	Parts No.	Description	Amt. Req.
1	2100160	Upper Knife Driving Connecting Rod .....	1
2	120001	Screw (M4-0.7X14) .....	2
3	2100173	Driving Lever Pin .....	1
4	160002	Screw (M4-0.7X5) .....	1
5	2100162	Upper Knife Driving Lever .....	1
6	120006	Screw (M6-1X12) .....	1
7	2100161	Collar .....	1
8	160003	Screw (M5-0.8X5) .....	2
9	2120024	Upper Knife Driving Shaft.....	1
10	2100165	Upper Knife Holder Positioner .....	1
11	2100418	Upper Knife Holder (Flat Type) .....	1
12	110043	Screw (M4-0.7X14) .....	1
13	0020496	Upper Knife (Flat Type) .....	1
14	000532	Washer .....	1
15	110004	Screw (M3.5-0.6X8) .....	1
16	2100171	Lower Knife Holder Basement .....	1
17	120011	Screw (M6-1X18) .....	2
18	000779	Knock Pin .....	1
19	2100172	Holder Basement Positioner .....	1
20	110012	Screw (M4-0.7X5) .....	5
21	2100021	Front Cover .....	1
22	2100170	Lower Knife Holder Spring Stop .....	1
23	2100009	Cloth Plate Spring Pin .....	1
24	2100174	Cloth Plate Rubber Cushion .....	1
25	2100169	Lower Knife Holder Locking Plate .....	1
26	0032919	Lower Knife Holder Spring .....	1
27	2100419	Lower Knife Holder .....	1
28	110046	Screw (M5-0.8X12) .....	1
29	000688	Guide Pin .....	1
30	2100167	Lower Knife .....	1
31	2100168	Lower Knife Clamp .....	1
32	140014	Screw (M4-0.7X8) .....	1



PRESSER FOOT MECHANISM

8

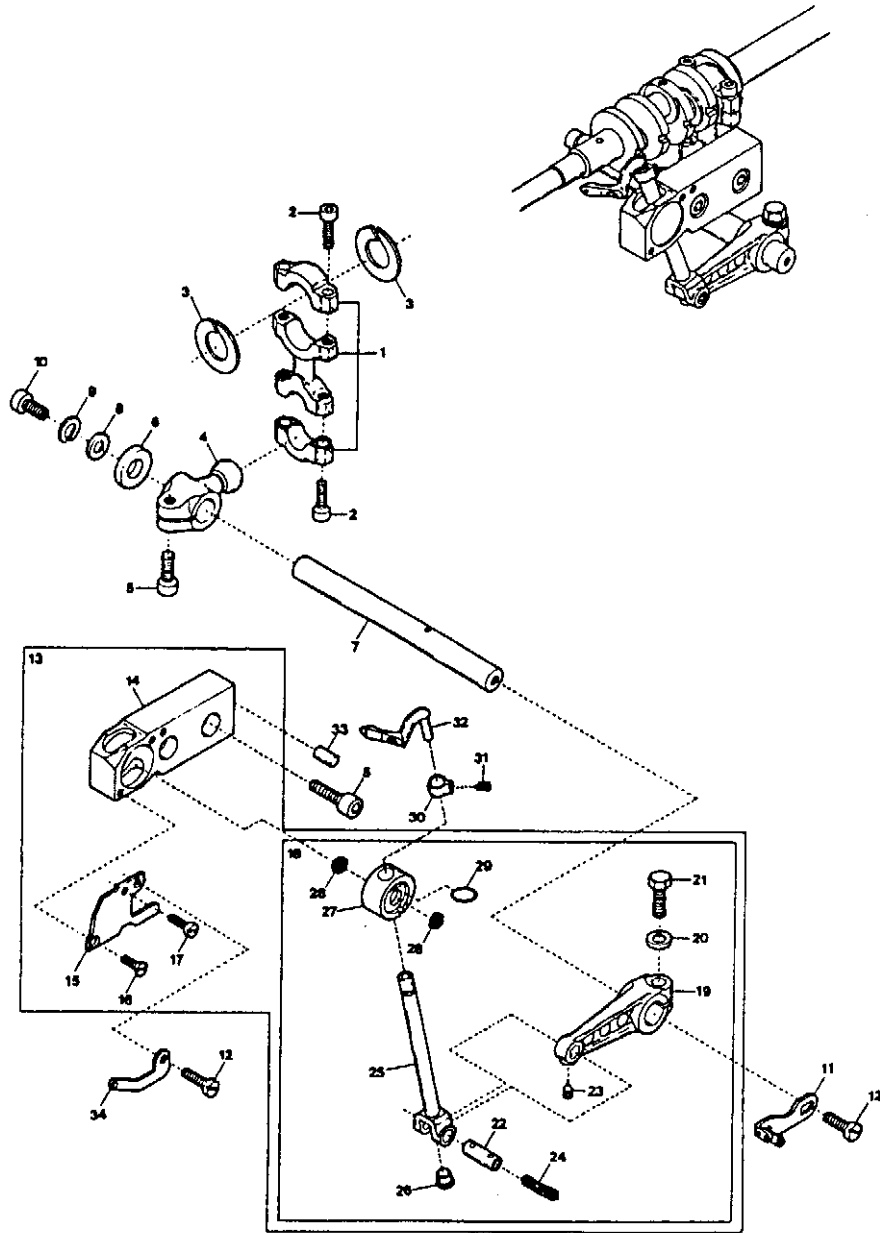
Ref. No.	Parts No.	Description	Amt. Req.
1	190003	Adjusting Screw (M10-0.75X30) .....	1
2	100007	Lock Nut .....	1
3	2100181	Presser Spring .....	1
4	2100579	Presser Bar .....	1
5	2100580	Presser Arm Positioning Guide Pin .....	1
6	180001	Screw (M4-0.7X4.5) .....	1
7	2100184	Presser Arm Stop .....	1
8	110012	Screw (M4-0.7X5) .....	1
9	2100187	Presser Foot Release Lever Spring .....	1
10	2100186	Presser Foot Release Lever .....	1
11	170000	Screw (M4-0.7X13) .....	1
12	2100195	Presser Foot Lifter Lever Stop .....	1
13	100001	Lock Nut .....	1
14	110010	Stop Screw (M4-0.7X16) .....	1
15	2100194	Lifter Lever Holder .....	1
16	2110361	Presser Foot Lifter Lever Spring .....	1
17	2100193	Presser Foot Lifter Lever .....	1
18	000487	Corrugated Washer .....	1
19	300005	Washer .....	1
20	120010	Screw (M6-1X10) .....	1
21	2100197	Presser Foot Lifter Lever Link .....	1
22	2100518	Presser Foot Shaft Collar .....	1
23	120017	Screw (M5-0.8X15) .....	1
24	2100192	Intermediate Lever .....	1
25	2100099	Presser Foot Shaft Bushing .....	1
26	160007	Screw (M6-1X6) .....	1
27	110065	Stop Screw (M4-0.7X12) .....	1
28	2100179	Intermediate Lever Spring .....	1
29	2100200	Presser Arm, Complete Set .....	1
30	2100189	Presser Foot Shaft .....	1
31	2100180	Presser Arm .....	1
32	2100199	Presser Arm Hinge Pin .....	1
33	160001	Screw (M4-0.7X4) .....	1
34	0020271	Thread Chain Cutting Knife .....	1
35	004404	Screw (3/32-56X5.1) .....	1
36	2100423	Presser Foot Spring (Large) .....	1
37	100020	Nut .....	1
38-1	2107410	Presser Foot, Complete Set (A4) .....	1
38-2	2107413	" " (C5) .....	1
39	2107101	Presser Foot Hinge .....	1
40	110004	Screw (M3.5-0.6X8) .....	1

※ Ref. No. 41 to 53 ..... See the following page.

PRESSER FOOT MECHANISM

Ref. No.	Parts No.	Description	Amt. Req.
41	004136	Screw (1/8-44X2.7) .....	1
42-1	2107105	Presser Foot Stitch Tongue (C5) .....	1
42-2	2107107	" " (C6) .....	1
43	2107163	Presser Foot Adjusting Plate .....	1
44	005036	Screw (1/8-44X5.6) .....	1
45	0022156	Presser Foot Chain Shield .....	1
46	004141	Screw (3/32-56X2.1) .....	1
47	0025035	Presser Foot Spring (Small) .....	1
48	006093	Screw (3/32-56X5.6) .....	1
49	0033529	Presser Foot (Rear) Adjusting Plate .....	1
50	000216	Nut .....	1
51	000747	Pin .....	1
52-1	2107409	Presser Foot (Front/Rear) Unit (A4) .....	1
52-2	2107412	" " (C5) .....	1
53	000531	Washer .....	1

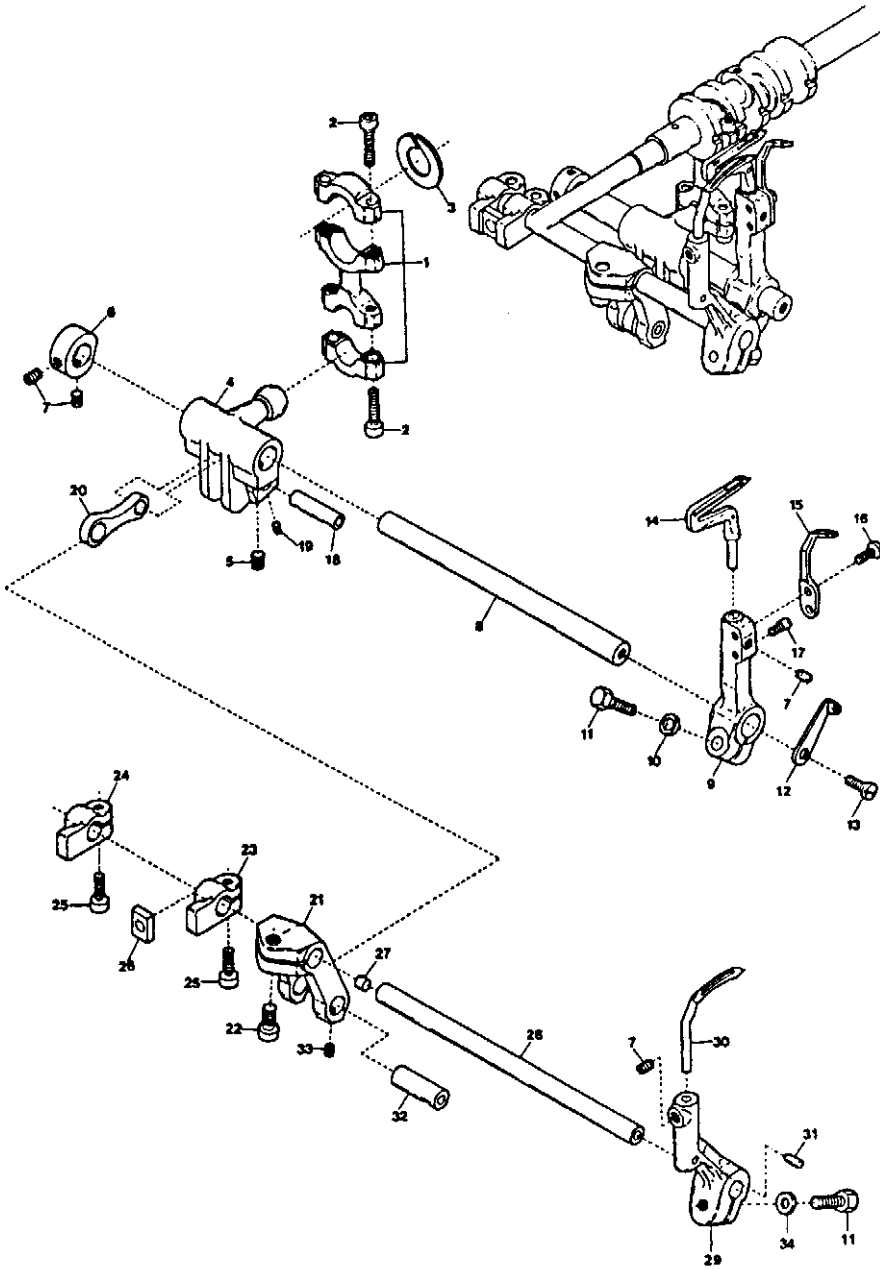
\* Ref. No. 1 to 40 ..... See the preceding page.



UPPER LOOPER DRIVING MECHANISM

9

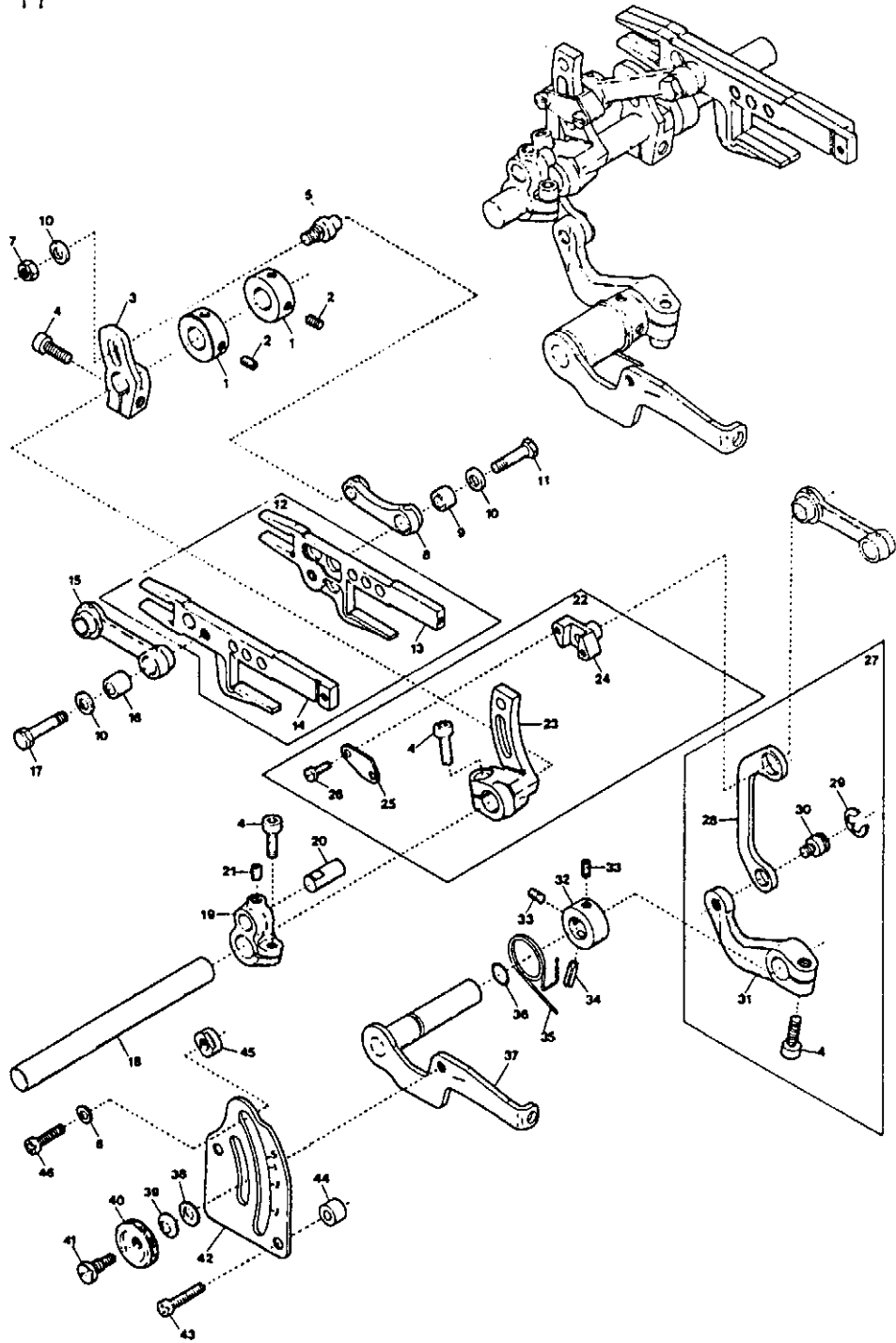
Ref. No.	Parts No.	Description	Amt. Req.
1	2100215	Looper Driving Lever Connecting Rod .....	1
2	120001	Screw (M4-0.7X14) .....	4
3	2100088	Connecting Rod Swing-proof .....	2
4	2100201	Upper Looper Driving Lever .....	1
5	120006	Screw (M6-1X12) .....	3
6	2100517	Driving Shaft Thrust Ring .....	1
7	2100204	Looper Driving Shaft .....	1
8	2100205	Driving Shaft Thrust Ring .....	1
9	300009	Spring Washer .....	1
10	120008	Screw (M4-0.7X8) .....	1
11	2100581	Upper Looper Thread Pull-off .....	1
12	110009	Screw (M4-0.7X8) .....	2
13	2100566	Upper Looper Bar Crank Arm, C. Set .....	1
14	2100226	Upper Looper Bar Guide Bushing .....	1
15	2100227	Upper Looper Bar Guide Cover .....	1
16	130001	Screw (M2.5-0.45X6) .....	1
17	110071	Screw (M2.5-0.45X6) .....	1
18	2100567	Upper Looper Bar Guide, C. Set .....	1
19	2100221	Upper Looper Bar Crank Arm .....	1
20	300008	Washer .....	1
21	140004	Screw (M6-1X14) .....	1
22	2100176	Upper Looper Bar Crank Arm Pin .....	1
23	160002	Screw (M4-0.7X5) .....	1
24	310048	Oil Wick .....	1
25	2100506	Upper Looper Bar Unit .....	1
26	330011	Seal Plug .....	1
27	2100565	Upper Looper Bar Guide .....	1
28	310049	Oiling Felt .....	2
29	0020538	O-ring .....	1
30	2100516	Upper Looper Holder Collar .....	1
31	160010	Screw (M4-0.7X3) .....	1
32	2109320	Upper Looper (for Needle Size #9~14) .....	1
33	000779	Standard Pin .....	1
34	2100537	Upper Looper Supplementary Thread Eyelet .....	1



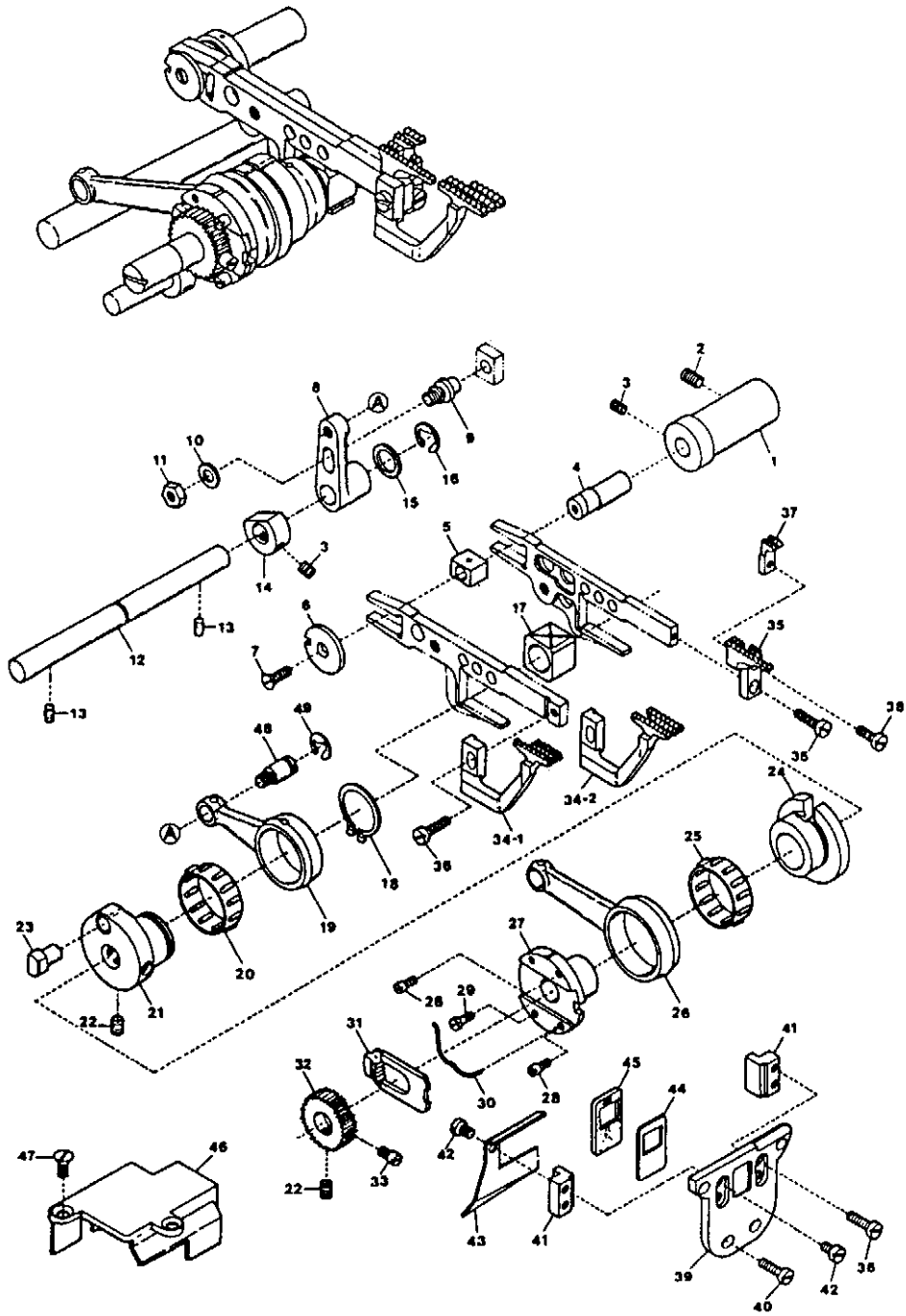


LOWER & DOUBLE CHAINING LOOPER DRIVING MECHANISM

Ref. No.	Parts No.	Description	Amt. Req.
1	2100215	Looper Driving Lever Connecting Rod .....	1
2	120001	Screw (M4-0.7X14) .....	4
3	2100088	Connecting Rod Swing-proof .....	1
4	2100430	Lower Looper Driving Lever .....	1
5	160009	Screw (M5-0.8X5) .....	2
6	2100273	Collar .....	1
7	160003	Screw (M5-0.8X5) .....	4
8	2100445	Looper Driving Shaft .....	1
9	2100211	Lower Looper Holder Arm .....	1
10	300008	Washer .....	1
11	140002	Screw (M6-1X16) .....	2
12	2100522	Thread Pull-off .....	1
13	110009	Screw (M4-0.7X8) .....	1
14	2109300	Lower Looper .....	1
15	2109201	Needle Guard (Rear) .....	1
16	110036	Screw (M3-0.5X6.5) .....	1
17	180014	Screwed Pin (M3-0.5X4.5) .....	1
18	2100432	Looper Driving Connecting Pin (Right) .....	1
19	160000	Screw (M3-0.5X3) .....	2
20	2100431	Double Chaining Looper Driving Connection .....	1
21	2100440	Double Chaining Looper Driving Lever .....	1
22	120006	Screw (M6-1X10) .....	1
23	2100436	Looper Slide Block Holder (Front) .....	1
24	2100438	Looper Slide Block Holder (Rear) .....	1
25	120018	Screw (M4-0.7X10) .....	2
26	2100437	Looper Slide Block .....	1
27	000740	Seal Plug .....	1
28	2101434	Double Chaining Looper Driving Shaft .....	1
29	2100441	Double Chaining Looper Holder Arm .....	1
30	2109302	Double Chaining Looper .....	1
31	000035	Positioning Pin .....	1
32	2100433	Looper Driving Connecting Pin (Left) .....	1
33	160001	Screw (M4-0.7X4) .....	1
34	300032	Washer .....	1



FEED DRIVING CONTROL MECHANISM			11
Ref. No.	Parts No.	Description	Amt. Req.
1	2100161	Collar .....	2
2	160003	Screw (M5-0.8X5) .....	4
3	2100250	Main Feed Bar Lever .....	1
4	120006	Screw (M6-1X12) .....	4
5	2100251	Main Feed Bar Lever Pin .....	1
6	000669	Washer .....	2
7	100002	Nut .....	1
8	2100248	Main Feed Bar Connection .....	1
9	2100249	Connection Bushing .....	1
10	300000	Washer .....	3
11	140001	Screw (M5-0.5X12) .....	1
12	2100266	Feed Bar, Complete Set .....	1
13	2100242	Main Feed Bar .....	1
14	2100241	Differential Feed Bar .....	1
15	2100243	Differential Feed Bar Connection .....	1
16	2100244	Connection Bushing .....	1
17	140000	Screw (M5-0.5X15.5) .....	1
18	2100260	Feed Bar Driving Shaft .....	1
19	2100240	Feed Bar Driving Shaft Lever .....	1
20	2100288	Connecting Rod Pin .....	1
21	160007	Screw (M6-1X6) .....	1
22	2100033	Differential Rocker, Complete Set .....	1
23	2100245	Differential Rocker .....	1
24	2100246	Differential Regulating Slider .....	1
25	2100247	Differential Regulating Slider Cap .....	1
26	110033	Screw (M3-0.5X6) .....	2
27	2100269	Differential Lever (Right), Complete Set .....	1
28	2100252	Slider Link .....	1
29	0068202	Retaining Ring .....	1
30	2100253	Slider Link Pin .....	1
31	2100262	Differential Lever (Right) .....	1
32	2100267	Collar .....	1
33	160001	Screw (M4-0.7X4) .....	2
34	000690	Roll Pin .....	1
35	2100256	Differential Lever Spring .....	1
36	0020538	O-ring .....	1
37	2100263	Differential Lever (Left) .....	1
38	000520	Washer .....	1
39	000561	Conical Spring Washer .....	1
40	100000	Adjusting Nut .....	1
41	190001	Adjusting Screw (M6-1X11.5, M4.5-0.5X4) .....	1
42	2100601	Differential Feed Graduation .....	1
43	110016	Screw (M4-0.7X15) .....	2
44	2100265	Spacer .....	2
45	0020350	Differential Lever Stop .....	2
46	110017	Screw (M5-0.8X8) .....	2

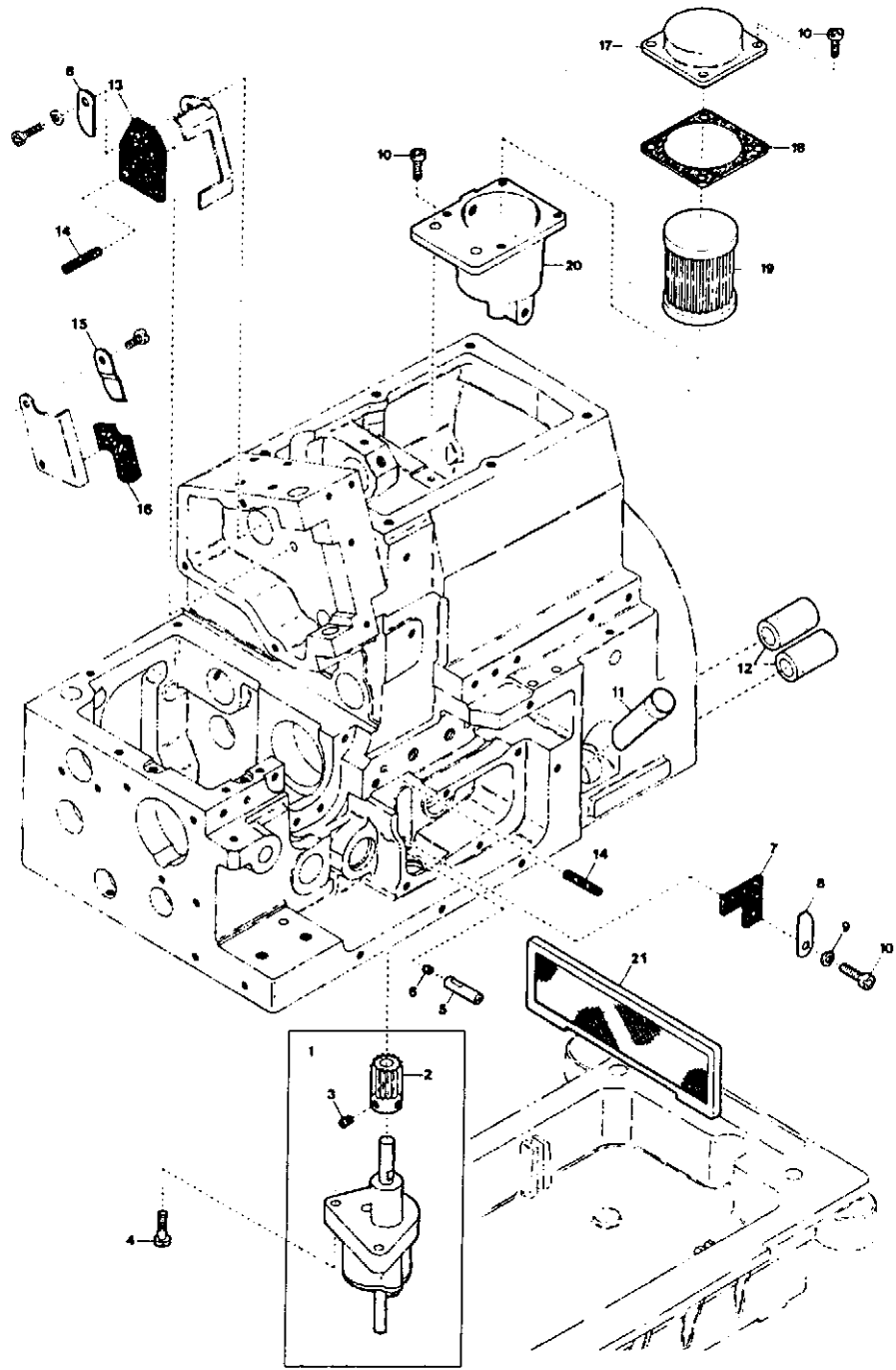


FEED DRIVING MECHANISM

Ref. No.	Parts No.	Description	Amt. Req.
1	2100603	Feed Bar Block (Rear) Shaft Bushing .....	1
2	160007	Screw (M6-1X6) .....	1
3	160001	Screw (M4-0.7X4) .....	3
4	2100602	Feed Bar Block (Rear) Shaft .....	1
5	2100283	Feed Bar Block (Rear) .....	1
6	2100281	Feed Bar Block (Rear) Lid .....	1
7	130002	Screw (M3-0.5X6) .....	1
8	2100434	Looper Rocker Shaft Lever .....	1
9	2100251	Looper Slide Block Pin .....	1
10	300000	Washer .....	1
11	100002	Nut .....	1
12	2100442	Looper Rocker Shaft .....	1
13	003655	Screw (M4-0.7X10) .....	2
14	2100443	Collar .....	1
15	300001	Washer .....	1
16	0013208	Retaining Ring .....	1
17	2100280	Feed Bar Block (Front) .....	1
18	2100451	Retaining Ring .....	1
19	2100452	Looper Rocker Connecting Rod .....	1
20	0068146	Roller Bearing .....	1
21	2100450	Looper Rocker Eccentric .....	1
22	160003	Screw (M5-0.8X5) .....	3
23	0020401	Feed Dog Eccentric Pin .....	1
24	2100277	Feed Dog Eccentric .....	1
25	2100278	Roller Bearing .....	1
26	2100275	Feed Dog Driving Connecting Rod .....	1
27	2100276	Feed Dog Regulating Eccentric .....	1
28	180002	Screw (M3-0.5X4) .....	2
29	110070	Screw (M3-0.5X6.3) .....	1
30	2100289	Feed Dog Regulating Plate Spring .....	1
31	0023473	Feed Dog Regulating Plate .....	1
32	2100279	Feed Dog Regulating Gear .....	1
33	180003	Screw (M5-0.8X8) .....	1
34-1	2109050	Differential Feed Dog (A4) .....	1
34-2	2109057	" " (C5) .....	1
35	2109051	Main Feed Dog .....	1
36	110004	Screw (M3.5-0.6X8) .....	5
37		Auxiliary Feed Dog .....	1
38	2109052	Screw (M3-0.5X6) .....	1
39	110026	Feed Bar Guide Support .....	1
40	2100631	Screw (M4-0.7X8) .....	4
41	110064	Feed Bar Guide .....	2
42	2100632	Screw (M3.5-0.6X4) .....	2
43	110042	Feed Bar Oil Defender .....	1
44	2100302	Feed Bar Shield (Front) .....	1
45	2100285	Feed Bar Shield (Rear) .....	1
46	2100286	Connecting Rod Cover .....	1
47	2100301	Screw (M4-0.7X7.3) .....	2
48	130003	Looper Rocker Connecting Rod Pin .....	1
49	2100435	Retaining Ring .....	1
	2100444		

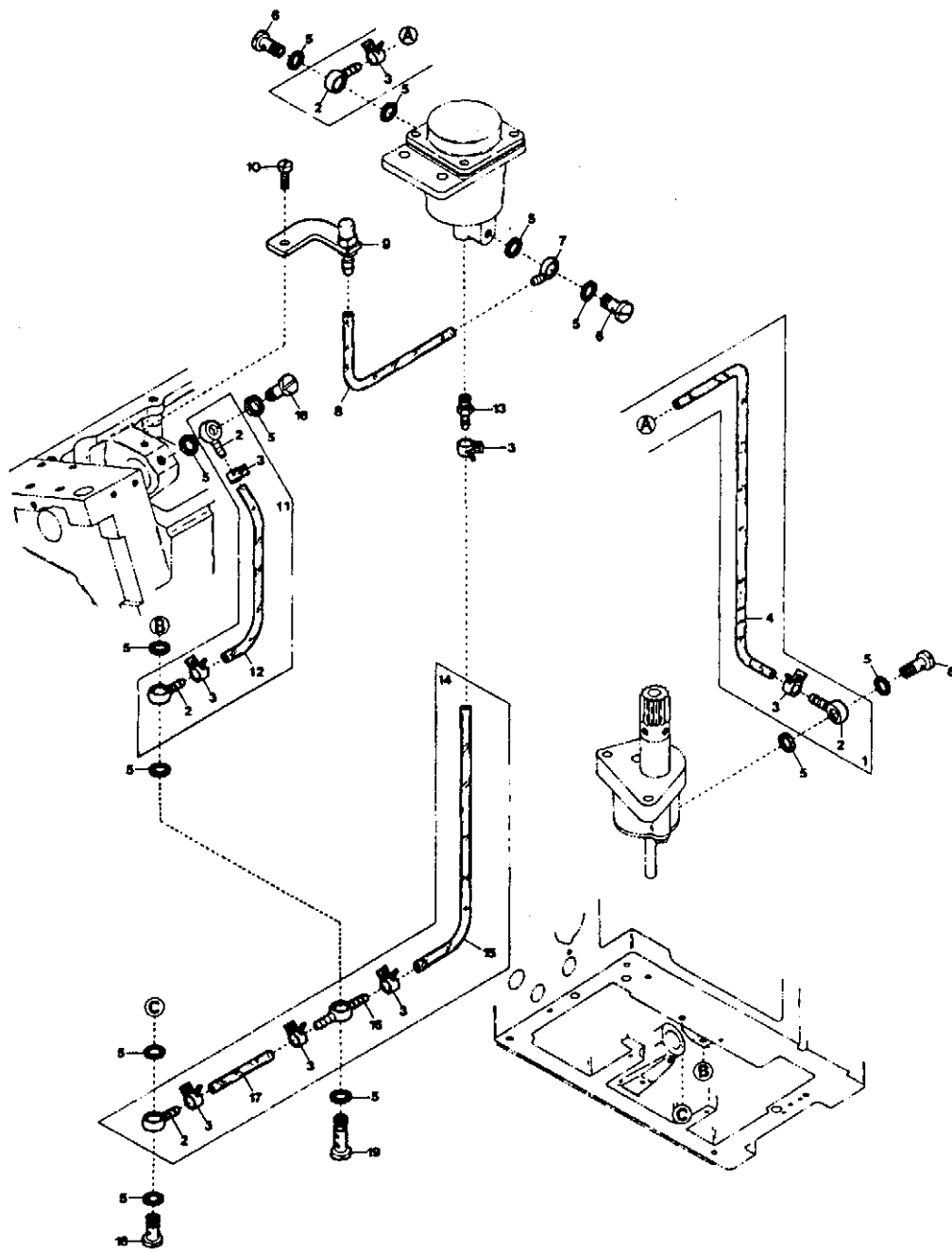
12

Amt.  
Req.



LUBRICATING MECHANISM (1)

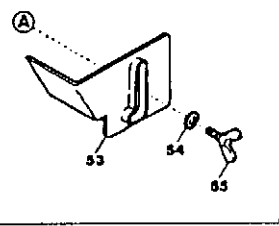
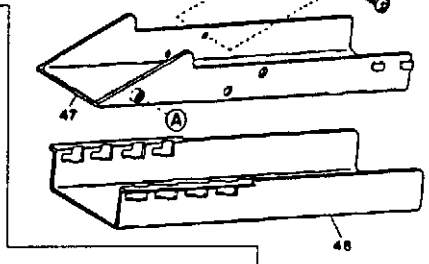
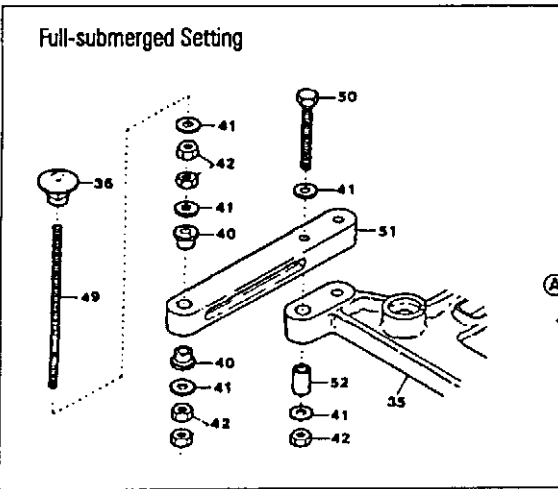
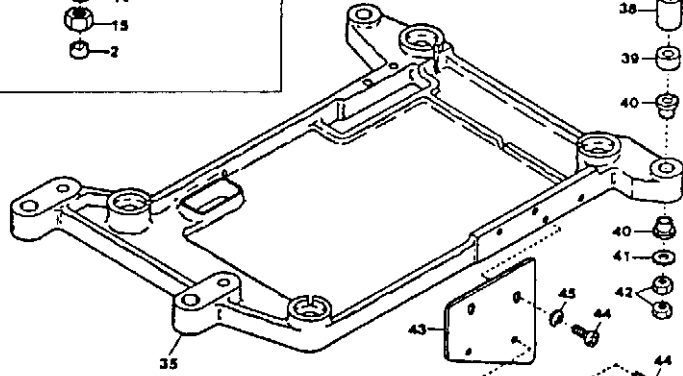
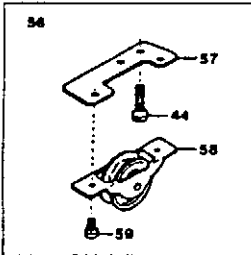
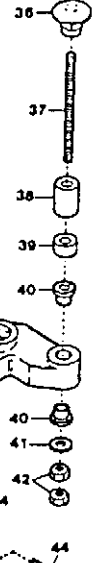
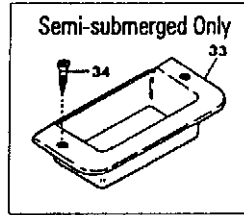
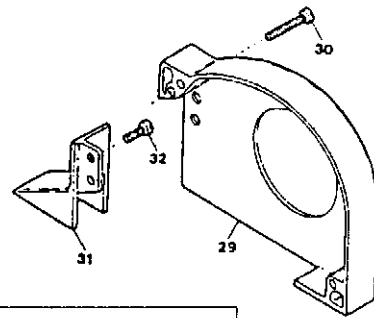
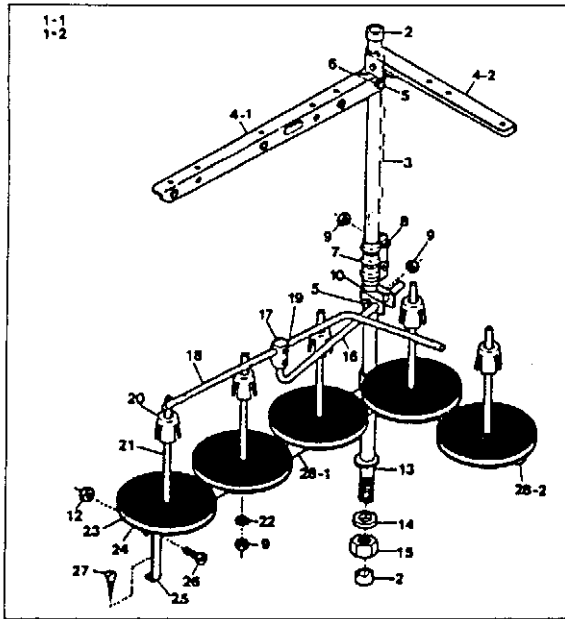
Ref. No.	Parts No.	Description	Amt. Req.
1	2100365	Oil Pump, Complete Set .....	1
2	2100363	Worm Wheel .....	1
3	160001	Screw (M4-0.7X4) .....	2
4	110016	Screw (M4-0.7X15) .....	2
5	2100645	Oil Pipe .....	1
6	000456	Seal Plug .....	1
7	2100646	Upper Looper Bar Oiling Felt .....	1
8	2100255	Oil Adjusting Plate .....	2
9	000538	Washer .....	1
10	110013	Screw (M4-0.7X8) .....	7
11	2100032	Oil Sight Gauge .....	1
12	2100605	Seal Plug .....	2
13	2100142	Needle Bar Oiling Felt .....	1
14	310023	Oil Wick .....	2
15	2100524	Oiling Felt Clamp .....	1
16	2100523	Needle Bar Oiling Felt (Left) .....	1
17	2100315	Filter Housing Cover .....	1
18	2100316	Filter Housing Gasket .....	1
19	3100345	Filter .....	1
20	2100314	Filter Housing .....	1
21	2100383	Oil Filter Screen .....	1





LUBRICATING MECHANISM (2)

Ref. No.	Parts No.	Description	Amt. Req.
1	2100626	Oil Tube, Complete Set .....	1
2	0037669	Oil Tube Fitting One Way End .....	5
3	0031831	Oil Tube Clamp .....	8
4	2100607	Oil Tube (4.6X6.4X170mm) .....	1
5	000567	Seal .....	13
6	320000	Oil Tube Fitting Stud .....	3
7	320001	Oil Tube Fitting One Way End .....	1
8	2100325	Oil Tube (2.5X4X100mm) .....	1
9	2100541	Oil Nozzle Unit .....	1
10	110012	Screw (M4-0.7X5) .....	1
11	2100634	Oil Tube, Complete Set .....	1
12	2100633	Oil Tube (4.6X6.4X265mm) .....	1
13	009909	Oil Tube Joint .....	1
14	2100546	Oil Tube, Complete Set .....	1
15	2100384	Oil Tube (4.6X6.4X215mm) .....	1
16	0037668	Oil Tube Fitting Two Way .....	1
17	2100341	Oil Tube (4.6X6.4X38mm) .....	1
18	320002	Oil Tube Fitting Stud .....	2
19	320003	Oil Tube Fitting Stud (Long) .....	1



THREAD STAND & SUPPORTING BOARD

Ref. No.	Parts No.	Description	15 Amt. Req.
1-1	0099056	Thread Stand, Complete Set (5 Spools Type) .....	1
1-2	0099048	" " (6 Spools Type) .....	1
2	0099057	Column Cap .....	2
3	0099058	Column Pipe (Upper) .....	1
4-1	0099060	Thread Hanger (3 Spools Type) .....	1
4-2	0099059	" (2 Spools Type) .....	1
5	000147	Screw .....	5
6	000148	Washer .....	2
7	0099061	Column Pipe Connector .....	1
8	000149	Screw .....	2
9	000152	Nut .....	9
10	0099062	Thread Guide Holder .....	1
11	.....	.....	...
12	.....	.....	...
13	0099063	Column Pipe (Lower) .....	1
14	300027	Washer .....	1
15	000153	Nut .....	1
16	0099030	Thread Guide Bar .....	1
17	0099031	Thread Guide Bar Bracket .....	1
18	0099064	Thread Guide .....	1
19	003632	Screw .....	2
20	0099065	Spool Cushion .....	5
21	0099066	Spool Pin .....	5
22	000600	Spring Washer .....	5
23	0099067	Spool Mat .....	5
24	0099068	Spool Seat Disc .....	5
25	0099069	Spool Holder Stay .....	1
26	000158	Screw .....	1
27	000159	Wood Screw .....	1
28-1	0099070	Spool Holder (3 Spools Type) .....	1
28-2	0099071	" (2 Spools Type) .....	1
29	2100381	Belt Cover .....	1
30	110015	Screw (M4-0.7X25) .....	2

※ Ref. No. 31 to 59 ..... See the following page.

THREAD STAND & SUPPORTING BOARD

Ref. No.	Parts No.	Description	Amt. Req.
31	2100382	Supplementary Belt Cover .....	1
32	110013	Screw (M4-0.7X8) .....	2
33	2100376	Chip Receiver (Semi-submerged only) .....	1
34	009929	Wood Screw (Ø3.5X24) .....	2
35	2100339	Supporting Board .....	1
36	000070	Hanging Nut .....	4
37	009861	Hanging Bolt (Semi-submerged only) .....	4
38	2101450	Spacer (15) .....	4
39	2101451	Spacer (15) (See the below) .....	4
40	0020064	Supporting Board Rubber Cushion .....	8
41	000162	Washer (Semi-submerged) .....	4
41	000162	" (Full-submerged) .....	20
42	000016	Nut (Semi-submerged) .....	8
42	000016	Nut (Full-submerged) .....	20
43	2100375	Chute (Upper) Support .....	1
44	009992	Screw (M4-0.7X10) .....	6
45	000644	Spring Washer .....	2
46	.....	.....	...
47	2100337	Chute (Upper) .....	1
48	2100338	Chute (Lower) .....	1
49	009864	Hanging Bolt (Full-submerged only) .....	4
50	009871	Bolt (Full-submerged only) .....	4
51	0020057	Supporting Board Connector (Full-submerged only) .....	2
52	0020045	Supporting Board Sleeve (Full-submerged only) .....	2
53	2100336	Supplementary Chute Cover .....	1
54	000538	Washer .....	1
55	140011	Wing Bolt .....	1
56	0020078	Idler, Complete Set (for Left Footing Pedal) (Extra) .....	1
57	0020077	Idler Support .....	1
58	0020076	Idler .....	1
59	009995	Screw (M3-0.5X5) .....	2

\* Ref. No.1 to 30 ..... See the preceding page.

Note: Not necessary when the thickness of Table is 45mm.

Teile Nr.	Seite	Abb.Nr.	Teile Nr.	Seite	Abb.Nr.	Teile Nr.	Seite	Abb.Nr.	Teile Nr.	Seite	Abb.Nr.
16	15B	42	3655	12B	13	30255	4B	12	110008	4B	30
16	15B	42	4136	8B	41	31111	4B	6	110009	6B	27
35	6B	26	4141	8B	46	31831	14B	3	110009	9B	12
35	10B	31	4265	4B	8	32425	4B	26	110009	10B	13
70	15B	36	4404	8B	35	32604	6B	34	110010	1B	13
147	15B	5	5036	8B	44	32684	5B	28	110010	8B	14
148	15B	6	5345	6B	31	32879	1B	23	110011	6B	33
149	15B	8	6093	8B	48	32919	7B	26	110012	1B	11
152	15B	9	6816	1B	22	33529	8B	49	110012	2B	7
153	15B	15	9753	5B	4	33627	1B	24	110012	3B	13
158	15B	26	9861	15B	37	33968	6B	42	110012	7B	20
159	15B	27	9864	15B	49	36518	3B	22	110012	8B	8
162	15B	41	9871	15B	50	37668	14B	16	110012	14B	10
162	15B	41	9909	6B	45	37669	14B	2	110013	2B	2
177	4B	7	9909	14B	13	50075	1B	30	110013	3B	11
178	4B	5	9929	15B	34	68079	6B	19	110013	4B	18
182	4B	39	9992	15B	44	68146	12B	20	110013	6B	44
216	8B	50	9995	15B	59	68202	11B	29	110013	13B	10
340	4B	9	13208	12B	16	77301	5B	38	110013	15B	32
393	6B	52	20004	1B	14	93528	3B	26	110015	15B	30
456	13B	6	20005	1B	15	99030	15B	16	110016	1B	17
474	5B	3	20016	2B	23	99031	15B	17	110016	11B	43
487	8B	18	20045	15B	52	99048	15B	1-2	110016	13B	4
520	3B	32	20057	15B	51	99056	15B	1-1	110017	11B	46
520	11B	38	20064	15B	40	99057	15B	2	110026	12B	39
526	5B	48	20076	15B	58	99058	15B	3	110027	6B	39
531	8B	53	20077	15B	57	99059	15B	4-2	110029	4B	22
532	7B	14	20078	15B	56	99060	15B	4-1	110033	11B	26
538	2B	6	20101	4B	14	99061	15B	7	110035	3B	31
538	13B	9	20118	4B	4	99062	15B	10	110036	5B	16
538	15B	54	20123	4B	34	99063	15B	13	110036	10B	16
561	11B	39	20124	4B	36	99064	15B	18	110040	4B	33
567	14B	5	20125	4B	37	99065	15B	20	110042	12B	43
600	15B	22	20126	4B	38	99066	15B	21	110043	7B	12
644	1B	31	20131	4B	27	99067	15B	23	110045	1B	5
644	15B	45	20137	1B	29	99068	15B	24	110046	7B	28
669	11B	6	20169	4B	32	99069	15B	25	110048	3B	3
688	7B	29	20271	8B	34	99070	15B	28-1	110054	2B	4
690	11B	34	20350	11B	45	99071	15B	28-2	110064	12B	41
693	6B	43	20401	12B	23	100000	11B	40	110065	8B	27
740	10B	27	20472	3B	18	100001	1B	12	110070	12B	29
747	8B	51	20496	7B	13	100001	2B	15	110071	9B	17
779	7B	18	20538	9B	29	100001	8B	13	120001	6B	2
779	9B	33	20538	11B	36	100002	11B	7	120001	7B	2
1095	4B	28	21735	3B	27	100002	12B	11	120001	9B	2
1123	1B	4	22156	8B	45	100007	8B	2	120001	10B	2
1228	4B	24	23473	12B	31	100020	8B	37	120006	6B	6
1330	2B	20	24083	4B	2	110001	3B	8	120006	7B	6
1331	3B	29	24084	4B	1	110001	6B	29	120006	9B	5
1396	4B	11	24085	2B	21	110002	6B	36	120006	10B	22
3632	15B	19	24095	2B	25	110003	2B	28	120006	11B	4
3636	5B	29	24156	4B	3	110004	7B	15	120008	9B	10
3637	1B	9	24157	4B	13	110004	8B	40	120010	8B	20
3637	2B	13	24446	2B	19	110004	12B	36	120011	7B	17
3637	6B	23	25035	8B	47	110006	6B	18	120017	1B	28

Teile Nr.	Seite	Abb.Nr.	Teile Nr.	Seite	Abb.Nr.	Teile Nr.	Seite	Abb.Nr.	Teile Nr.	Seite	Abb.Nr.
120017	8B	23	300009	9B	9	2100044	3B	16	2100167	4B	40
120018	10B	25	300027	15B	14	2100045	3B	15	2100167	7B	30
130001	9B	16	300032	10B	34	2100047	3B	4	2100168	7B	31
130002	12B	7	310001	6B	49	2100048	2B	5	2100169	7B	25
130003	12B	48	310005	6B	47	2100049	2B	3	2100170	7B	22
130007	4B	16	310009	5B	32	2100053	1B	16	2100171	7B	16
140000	11B	17	310021	5B	49	2100054	1B	18	2100172	7B	19
140001	11B	11	310023	13B	14	2100059	1B	26	2100173	7B	3
140002	10B	11	310048	9B	24	2100062	4B	15	2100174	7B	24
140003	6B	13	310049	9B	28	2100063	4B	17	2100176	9B	22
140004	9B	21	310051	6B	16	2100071	4B	21	2100179	8B	28
140011	15B	55	320000	14B	6	2100074	4B	10	2100180	8B	31
140014	7B	32	320001	14B	7	2100080	3B	33	2100181	8B	3
150001	3B	14	320002	14B	18	2100081	2B	14	2100184	8B	7
160000	5B	14	320003	14B	19	2100088	9B	3	2100186	8B	10
160000	10B	19	330006	6B	10	2100088	10B	3	2100187	8B	9
160001	1B	7	330011	9B	26	2100090	5B	1	2100189	8B	30
160001	5B	11	330014	1B	33	2100092	5B	6	2100192	8B	24
160001	8B	33	330024	3B	19	2100093	3B	9	2100193	8B	17
160001	10B	33	390019	2B	16	2100095	5B	17	2100194	8B	15
160001	11B	33	390097	2B	33	2100096	5B	42	2100195	8B	12
160001	12B	3	390098	2B	32	2100097	5B	41	2100197	8B	21
160001	13B	3	390513	2B	30	2100098	5B	46	2100199	8B	32
160002	6B	4	390577	2B	29	2100099	8B	25	2100200	8B	29
160002	7B	4	2100001	1B	19	2100104	5B	24	2100201	9B	4
160002	9B	23	2100002	1B	21	2100105	5B	23	2100202	5B	34
160003	6B	8	2100003	1B	20	2100109	5B	21	2100204	9B	7
160003	7B	8	2100006	1B	1	2100110	3B	23	2100205	9B	8
160003	10B	7	2100008	1B	10	2100111	5B	15	2100211	10B	9
160003	11B	2	2100009	7B	23	2100112	5B	22	2100215	9B	1
160003	12B	22	2100011	1B	6	2100113	5B	7	2100215	10B	1
160005	5B	47	2100012	1B	8	2100114	5B	36	2100221	9B	19
160007	5B	2	2100013	1B	2	2100115	5B	37	2100226	9B	14
160007	8B	26	2100014	1B	3	2100117	5B	25	2100227	9B	15
160007	11B	21	2100017	2B	11	2100120	5B	12	2100240	11B	19
160007	12B	2	2100018	2B	9	2100121	5B	8	2100241	11B	14
160009	10B	5	2100019	2B	10	2100122	3B	10	2100242	11B	13
160010	9B	31	2100020	2B	12	2100132	6B	1	2100243	5B	27
160016	6B	54	2100021	7B	21	2100134	6B	5	2100243	11B	15
170000	8B	11	2100022	2B	18	2100136	6B	11	2100244	11B	16
180001	8B	6	2100024	2B	24	2100137	6B	7	2100245	11B	23
180002	12B	28	2100025	2B	26	2100138	6B	14	2100246	11B	24
180003	12B	33	2100028	2B	1	2100140	6B	17	2100247	11B	25
180014	10B	17	2100029	3B	28	2100142	13B	13	2100248	11B	8
190001	11B	41	2100030	3B	30	2100143	2B	8	2100249	11B	9
190002	4B	35	2100032	13B	11	2100144	6B	3	2100250	11B	3
190003	8B	1	2100033	11B	22	2100145	6B	32	2100251	11B	5
300000	11B	10	2100034	5B	43	2100148	6B	41	2100251	12B	9
300000	12B	10	2100035	3B	1	2100152	6B	46	2100252	11B	28
300001	12B	15	2100036	3B	2	2100153	6B	53	2100253	11B	30
300004	1B	27	2100037	3B	25	2100160	7B	1	2100255	13B	8
300005	8B	19	2100038	3B	24	2100161	7B	7	2100256	11B	35
300008	6B	12	2100039	3B	6	2100161	11B	1	2100260	11B	18
300008	9B	20	2100042	3B	21	2100162	7B	5	2100262	11B	31
300008	10B	10	2100043	3B	17	2100165	7B	10	2100263	11B	37

Teile Nr.	Seite	Abb.Nr.	Teile Nr.	Seite	Abb.Nr.	Teile Nr.	Seite	Abb.Nr.	Teile Nr.	Seite	Abb.Nr.
2100265	11B	44	2100433	10B	32	2100631	12B	40			
2100266	11B	12	2100434	12B	8	2100632	12B	42			
2100267	11B	32	2100435	12B	49	2100633	14B	12			
2100269	11B	27	2100436	10B	23	2100634	14B	11			
2100272	5B	33	2100437	10B	26	2100642	6B	20			
2100273	10B	6	2100438	10B	24	2100645	13B	5			
2100275	12B	26	2100440	10B	21	2100646	13B	7			
2100276	12B	27	2100441	10B	29	2100701	4B	23			
2100277	12B	24	2100442	12B	12	2100702	4B	20			
2100278	12B	25	2100443	12B	14	2100703	2B	27			
2100279	12B	32	2100444	12B		2101434	10B	28			
2100280	12B	17	2100445	10B	8	2101450	15B	38			
2100281	12B	6	2100450	12B	21	2101451	15B	39			
2100283	12B	5	2100451	12B	18	2107101	8B	39			
2100285	12B	45	2100452	12B	19	2107105	8B	42-1			
2100286	12B	46	2100501	5B	13	2107107	8B	42-2			
2100288	11B	20	2100502	6B	28	2107163	8B	43			
2100289	12B	30	2100503	6B	24	2107409	8B	52-1			
2100301	12B	47	2100504	6B	25	2107410	8B	38-1			
2100302	12B	44	2100506	9B	25	2107412	8B	52-2			
2100312	5B	9	2100516	9B	30	2107413	8B	38-2			
2100314	13B	20	2100517	9B	6	2108050	6B	30-1			
2100315	13B	17	2100518	8B	22	2108076	6B	30-2			
2100316	13B	18	2100520	4B	19	2109050	12B	34-1			
2100318	3B	12	2100522	10B	12	2109051	12B	35			
2100325	14B	8	2100523	13B	16	2109052	12B	38			
2100336	15B	53	2100524	13B	15	2109057	12B	34-2			
2100337	15B	47	2100525	3B	5	2109122	6B	21			
2100338	15B	48	2100526	3B	7	2109201	10B	15			
2100339	15B	35	2100532	6B	40	2109210	6B	38			
2100341	14B	17	2100533	6B	48	2109211	6B	35			
2100363	13B	2	2100535	6B	50	2109212	6B	37			
2100364	5B	10	2100536	6B	51	2109300	10B	14			
2100365	13B	1	2100537	9B	34	2109302	10B	30			
2100370	5B	35	2100538	2B	17	2109320	9B	32			
2100375	15B	43	2100540	6B	9	2110242	5B	26			
2100376	15B	33	2100541	14B	9	2110361	8B	16			
2100381	15B	29	2100546	14B	14	2120024	7B	9			
2100382	15B	31	2100565	9B	27	2120537	5B	18			
2100383	13B	21	2100566	9B	13	2129420	2B	31			
2100384	14B	15	2100567	9B	18	3100345	13B	19			
2100401	3B	20	2100579	8B	4		1B	25			
2100404	4B	29	2100580	8B	5		1B	32			
2100405	4B	31	2100581	9B	11		2B	22			
2100410	5B	20	2100592	4B	25		5B	19			
2100412	5B	39	2100601	11B	42		6B	22			
2100413	5B	40	2100602	12B	4		12B	37			
2100414	5B	44	2100603	12B	1		15B	11			
2100417	5B	45	2100605	13B	12		15B	12			
2100418	7B	11	2100607	14B	4		15B	46			
2100419	7B	27	2100613	5B	30						
2100423	8B	36	2100614	5B	31						
2100430	10B	4	2100620	6B	15						
2100431	10B	20	2100625	5B	5						
2100432	10B	18	2100626	14B	1						

