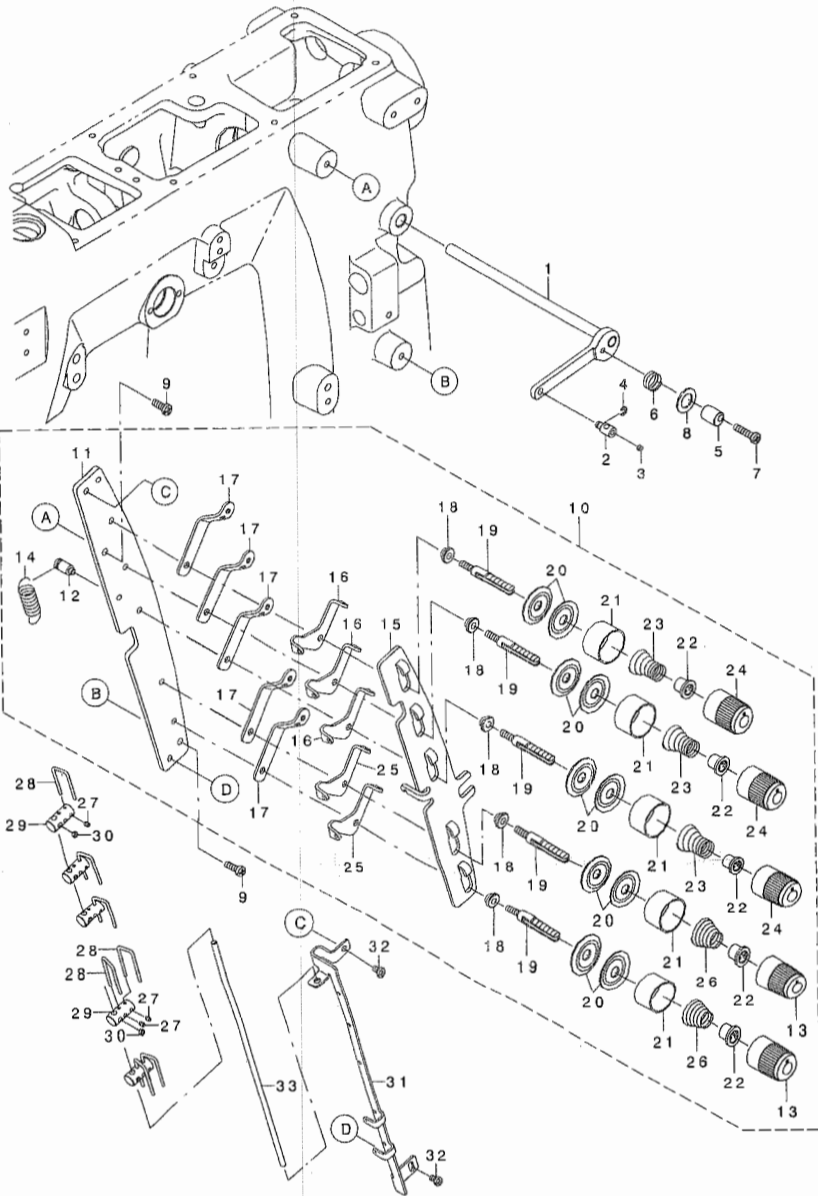


ALL PARTS NOT MENTIONED IN THIS PARTS LIST ARE SAME AS THOSE OF MODEL MF-7800. OTHER PARTS LIST RELATED TO THIS MODEL.

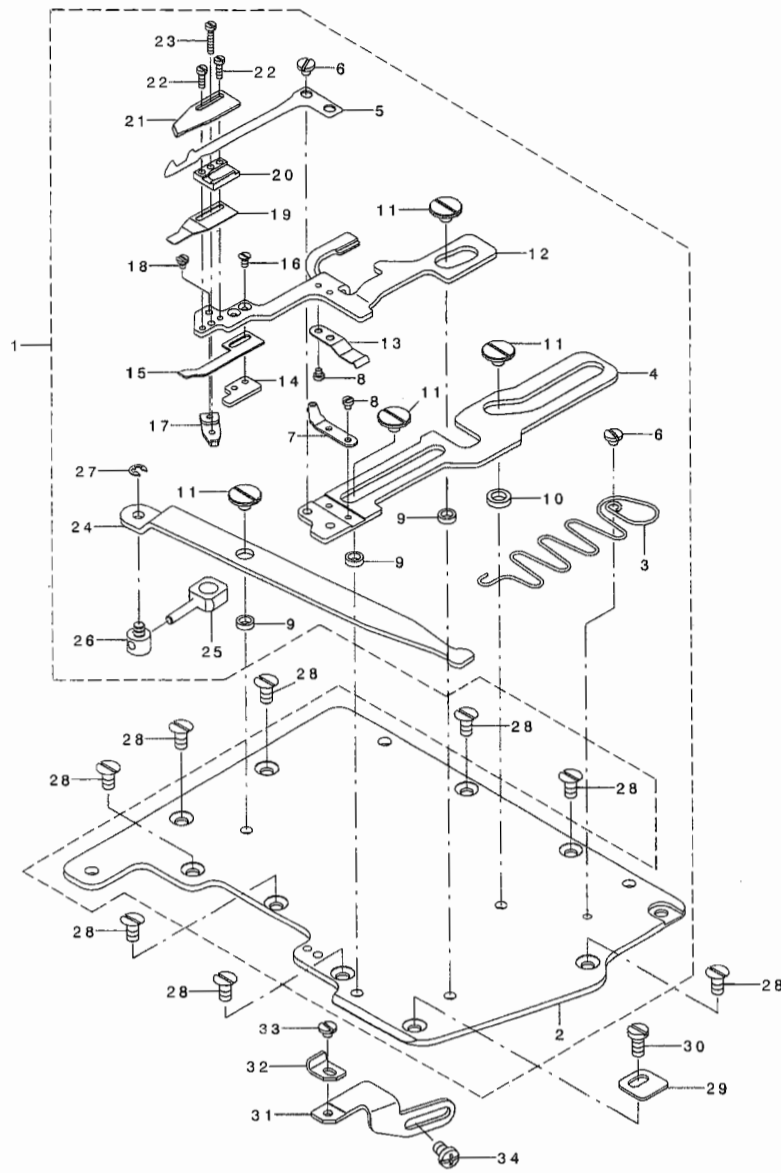
*MF-7800 SERIES(NO.1380 PART NO.13450200)

1. THREAD TENSION COMPONENTS



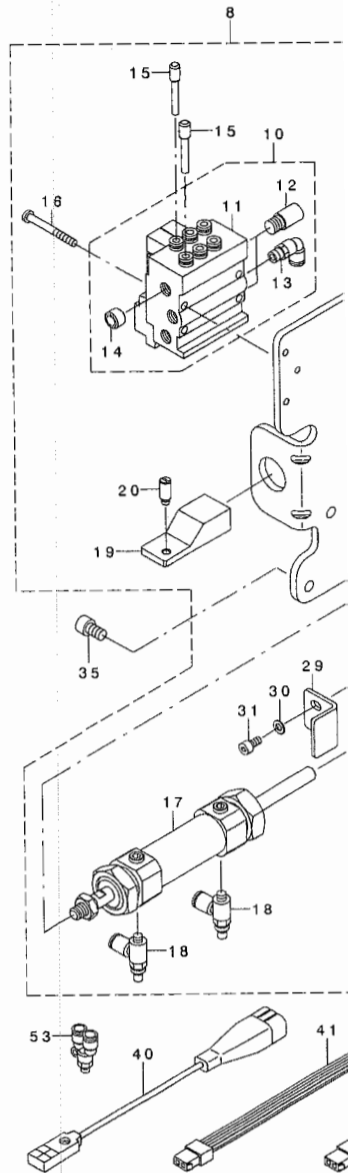
REF.NO	NOTE	PART NO.	DESCRIPTION	Qty
1		134-56553	PULL_OFF_LEVER_ASSY	1
2		134-56405	THD_PULL_OFF_BAR HOLDER	1
3		SM-8040360-TP	SCREW	1
4		RE-0300000-KO	E-RING 3	1
5		133-41409	TENS RELEASE ADJ ECC	1
6		133-41508	SPRING	1
7		SM-4041655-SP	SCREW M4 L=16	1
8		WP-0961046-SC	WASHER	1
9		SM-4041055-SP	SCREW	2
10		133-40252	THREAD TENSION ASSY	1
11		133-40203	TENSION POST SUPPORT	(1)
12		133-40302	SHOULDER SCREW	(1)
13		133-41706	KNOB	(2)
14		B2008-372-000	THREAD TENSION SPRING	(1)
15		133-40401	TENSION DISC SEPARATOR	(1)
16		133-41607	TENSION_DISC_EYELET_2	(3)
17		133-40809	THREAD LEAD IN GUIDE	(5)
18		133-40708	SPACER	(5)
19		133-40807	TENSION POST	(5)
20		229-28907	THREAD TENSION DISK	(10)
21		131-37609	THREAD TENSION DISK PRESSER	(5)
22		131-37906	SPRING BUSHING	(5)
23		131-40504	TENNSION SPRING	(3)
24		133-40906	KNOB GREEN	(3)
25		133-40500	TENSION DISC EYELET	(2)
26		B3121-804-000	TENSION SPRING	(2)
27		SM-8030412-TP	SCREW	7
28		134-56603	THD_PULL_OFF_HOOK	7
29		134-56207	THD_P_O_HOOK_GUIDE	5
30		SM-8040360-TP	SCREW	5
31		134-56009	THREAD GUIDE	1
32		SM-4040655-SP	SCREW M4 L=6	2
33		134-56108	PULL_OFF_BAR	1

2. LOOPER THREAD TRIMMER COMPONENTS



REF.NO	NOTE	PART NO.	DESCRIPTION	Qty
1		134-40052	UNDER_TRIMMER_ASSY	1
2		134-40003	BED_TOP_COVER_FOR_UT	(1)
3		134-40409	SPRING_FOR_UT	(1)
4		134-40102	LOWER_KNIFE HOLDER	(1)
5		134-41308	LOWER KNIFE	(1)
6		SM-6030350-SN	SCREW M3 L=2.5	(3)
7		134-40805	EYELET	(1)
8		SM-6020250-TP	SCREW	(4)
9		134-40904	SPACER_1	(3)
10		134-41001	SPACER_2	(1)
11		SM-6040460-TP	SCREW	(4)
12		134-40201	KNIFE HOLDER GUIDE	(1)
13		134-41902	LEAF_SPRING-2	(1)
14		134-41605	THREADED_PLATE	(1)
15		134-41803	LEAF_SPRING-1	(1)
16		SM-1020450-TP	SCREW M2 L=4	(2)
17		134-41506	TENSION_LEVER	(1)
18		SM-6020350-SP	SCREW M2 L=2.5	(1)
19		134-42207	LEAF_SPRING-3	(1)
20		134-41407	LOWER KNIFE GUIDE	(1)
21		134-41704	UPPER_KNIFE	(1)
22		SM-6020600-TP	SCREW	(2)
23		SM-6021000-TP	SCREW	(1)
24		134-40300	LEVER	(1)
25		134-42405	LINK DRIVING	(1)
26		134-42306	BOLT_CARRIER	(1)
27		RE-0250000-KO	E-RING 2.5	(1)
28		SM-1040860-SP	SCREW	8
29		134-40508	STOP_PLATE	1
30		SM-6040870-SP	SCREW	1
31		134-40607	GUIDE_BASE	1
32		134-40706	GUIDE	1
33		SM-6030350-SN	SCREW M3 L=2.5	1
34		SM-4040655-SN	SCREW M4X0.7 L=6	2

3. PNEUMATIC DRIVE & PRE:



REF.NO	NOTE	PART NO.	DESCRIPTION	Qty
1		400-18079		
2		PA-2503004-A0		
3		134-55001		
4		134-55100		
5		PJ-3040451-02		
6		WP-0621016-SD		
7		SM-6061002-TP		
8		400-18365		
9		134-42504		
10		400-18080		
11		PV-0351590-A0		
12		PX-0551040-00		
13		PJ-3040651-01		
14		PJ-0251000-02		
15		PX-5000140-00		
16		SM-4043555-SP		
17		PA-2001802-A0		
18		PC-0105080-00		
19		134-42603		
20		134-42702		
21		134-43601		
22		134-42900		
23		SM-6051002-TP		
24		134-43007		
25		SM-6061202-TP		
26		134-43106		
27		SM-4040655-SP		
28		134-42801		
29		134-43700		
30		WP-0430800-SC		
31		SM-6040802-TP		
32		134-43205		
33		SM-4040655-SP		
34		229-01805		
35		SM-6061002-TP		
36		SM-4031001-SN		
37		134-43304		
38		SM-6041202-TP		
39		SD-0700706-TP		
40		400-18083		
41		400-18084		
42		400-18085		
43		BT-0600401-EB		
44		BT-0400251-EB		
45		BT-0400251-EB		
46		BT-0400251-EB		
47		BT-0400251-EB		
48		BT-0400251-EB		
49		BT-0400251-EB		
50		BT-0400251-EB		
51		BT-0400251-EB		
52		BT-0400251-EB		
53		PJ-3080400-06		
54		PC-0124010-00		
55		HX-0031400-0A		
56		HX-0015000-0D		
57		SM-4040655-SP		
58		EA-9500801-00		

