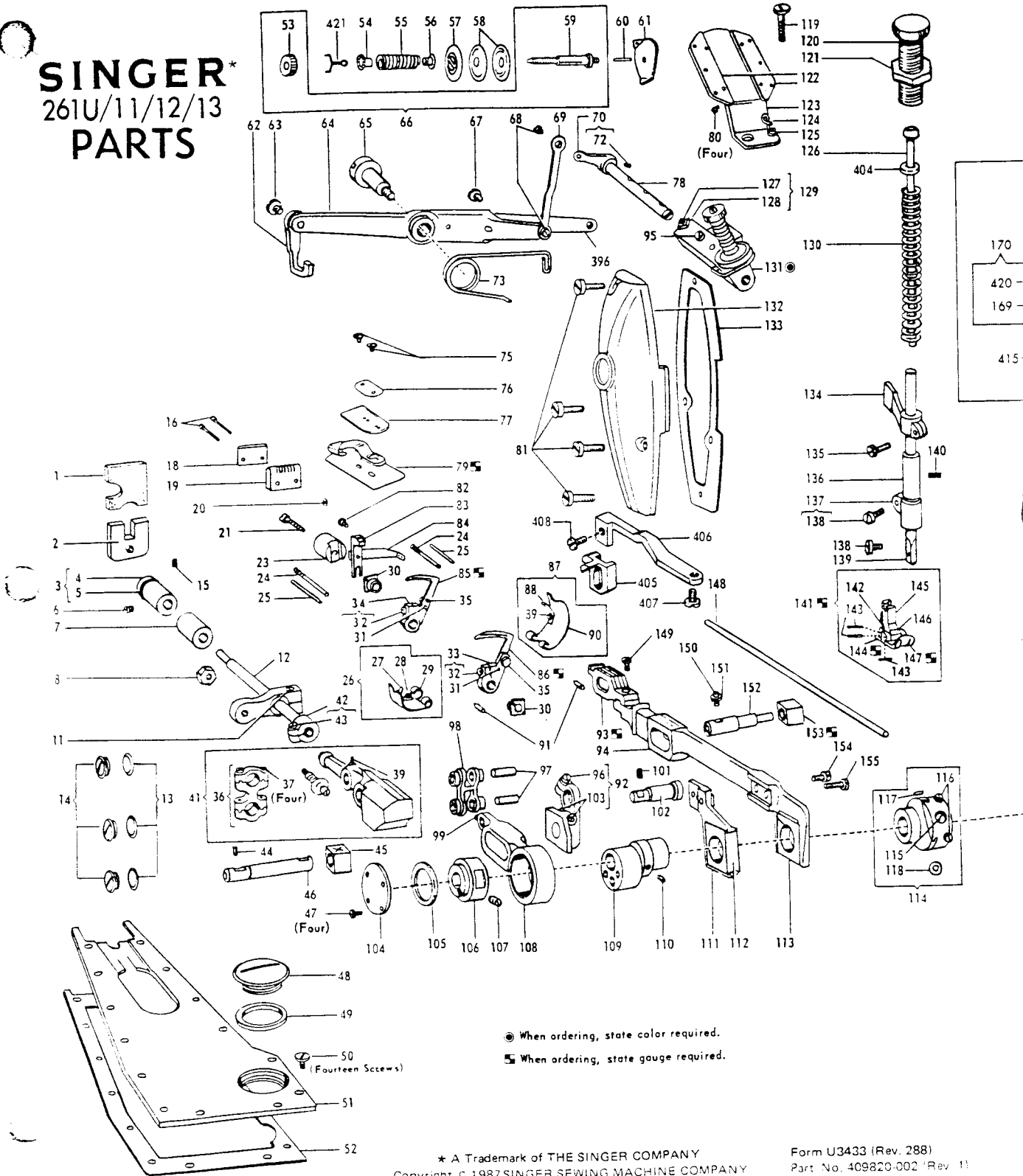


SINGER
261U11,U12,U13

SINGER*

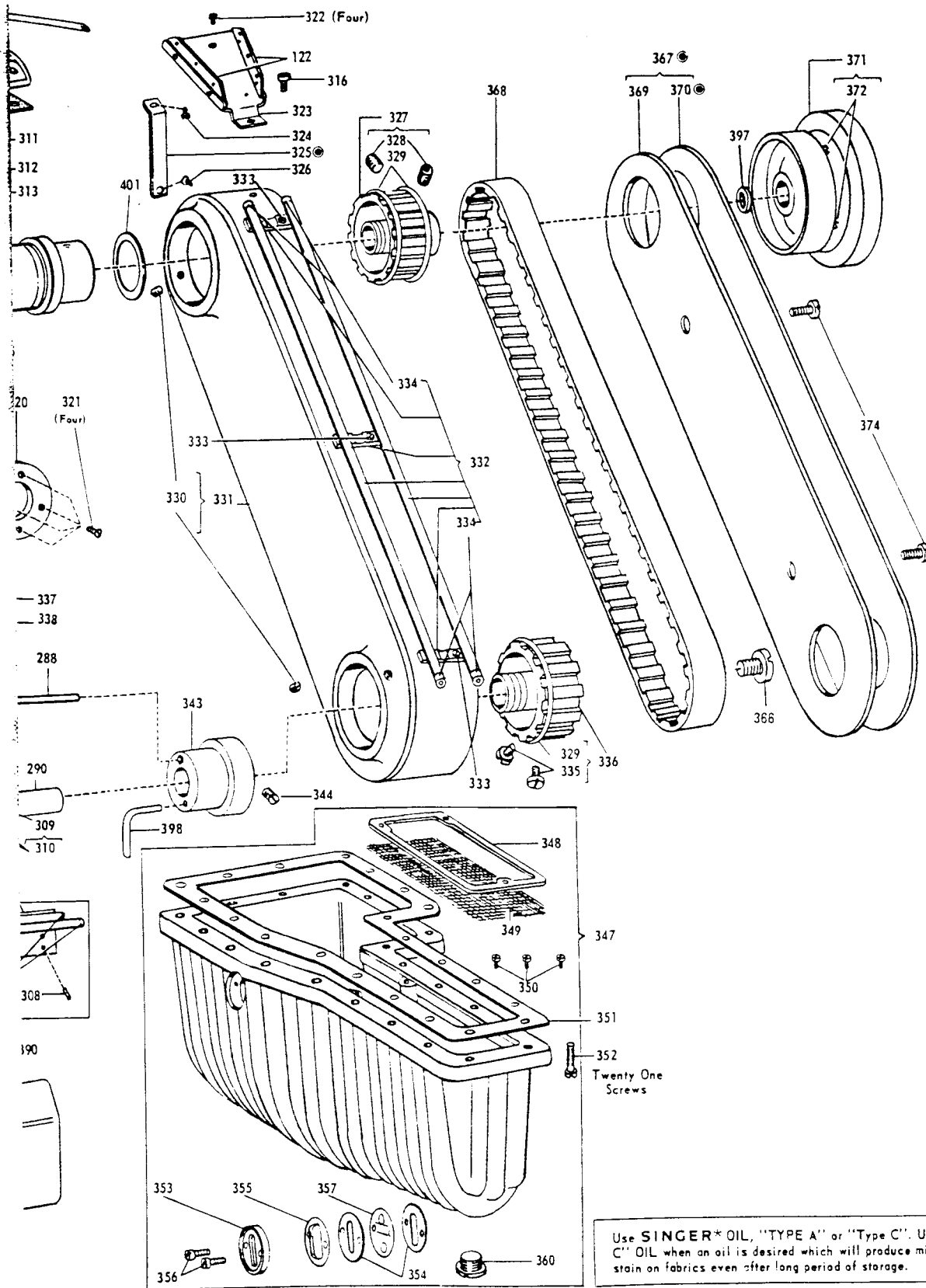
261U/11/12/13

PARTS



* A Trademark of THE SINGER COMPANY
 Copyright © 1987 SINGER SEWING MACHINE COMPANY
 All Rights Reserved Throughout The World

Form U3433 (Rev. 288)
 Part No. 409820-002 Rev. 11
 Printed in Japan



Use SINGER* OIL, "TYPE A" or "Type C". Use "TYPE C" OIL when an oil is desired which will produce minimum stain on fabrics even after long period of storage.

LIST OF PARTS FOR 261-11, 12 and 13 MACHINES

CODE	PART NO.	DESCRIPTION	MACHINE VARIETY
1	143646	Bed Cover Reinforcing Plate Gasket	261-11, 12, 13
2	143614	Bed Oil Shield (felt, lower)	261-11, 12, 13
3	143552	Bushing (back) complete, 143485 with 143551	261-11, 12, 13
4	143485	Bushing (back)	261-11, 12, 13
5	143551	Oil Seal (rubber)	261-11, 12, 13
6	443	Set Screw	261-11, 12, 13
7	143486	Bushings (front)	261-11, 12, 13
8	545407	Ball Screw Stud Nut	261-11, 12, 13
11	416005	Clamping Screw	261-11, 12, 13
12	143484	Looper Holder Shaft	261-11, 12, 13
13	139509	Gasket (3)	261-11, 12, 13
14	416042	Oil Plug (3)	261-11, 12, 13
15	454(830)	Set Screw	261-11, 12, 13
16	50225(809)	Screw (2)	261-11, 12, 13
18	139181	Thread Cutter	261-11, 12, 13
19	143524	Thread Cutter Support and Guide	261-11, 12, 13
20	456	Set Screw	261-11, 12, 13
21	416144	Adjusting Screw	261-11, 12, 13
23	139120	Looper Thread Guide Bracket Holder	261-11, 12, 13
24	416149	Screw Stud (2)	261-11, 12, 13
25	143480	Position Pin (2)	261-11, 12, 13
26	143467	Looper Gate (left) 143466 with 143470 and 51282(819), for Throat Plates 3/4 inch wide	261-11, 12,
	143469	Looper Gate (left) 143468 with 143470 and 51282(819), for Throat Plates 7/8 inch wide	261-13
27	143470	Lock Spring	261-11, 12, 13
28	51282(819)	Lock Spring Screw	261-11, 12, 13
29	143466	Looper Gate (left), for Throat Plates 3/4 inch wide	261-11, 12,
29	143468	Looper Gate (left), for Throat Plates 7/8 inch wide	261-13
30	143483	Looper Holder Bushing Eccentric (2)	261-11, 12, 13
31	26276	Looper Position Pin (2)	261-11, 12, 13
32	416055	Looper Holder Clamping Screw (2)	261-11, 12, 13
33	416080	Looper Holder (front)	261-11, 12, 13
34	416079	Looper Holder (back)	261-11, 12, 13
35	140393	Looper Clamping Screw (2)	261-11, 12, 13
36	416127	Driving Arm Connection with four 416132	261-11, 12, 13
37	416132	Cap Screw (4)	261-11, 12, 13
39	1047(830)	Set Screw	261-11, 12, 13
41	32355	Looper Driving Arm complete	261-11, 12, 13
42	416027	Looper Holder Shaft Collar with 416005	261-11, 12, 13
43	416005	Clamping Screw	261-11, 12, 13
44	446(830)	Set Screw	261-11, 12, 13
45	139074	Looper Eccentric Connection Slide Block	261-11, 12, 13
46	416148	Looper Eccentric Connection Slide Block Stud	261-11, 12, 13
47	416136	Bushing Cover Screw (4)	261-11, 12, 13
48	416049	Bed Cover Hole Plug Screw	261-11, 12, 13
49	143435	Bed Cover Hole Plug Screw Gasket	261-11, 12, 13
50	140295	Bed Cover Screw (14)	261-11, 12, 13
51	416068	Bed Cover	261-11, 12, 13
52	143434	Bed Cover Gasket (Cork)	261-11, 12, 13
53	416023	Tension Regulator Thumb Nut (2)	261-11, 12, 13
54	143657	Tension Spring Bushing (large) (2)	261-11, 12, 13
55	131741	Tension Spring (2)	261-12, 13
	143656	Tension Spring (2)	261-11
56	59538	Tension Spring Bushing (small) (2)	261-11, 12, 13
57	32572	Tension Releasing Disc (2)	261-11, 12, 13
58	2102	Tension Disc (4)	261-11, 12, 13
59	416017	Tension Screw Stud (2)	261-11, 12, 13
60	54988	Tension Releasing Pin (2)	261-11, 12, 13
61	131696	Tension Thread Guide (2)	261-11, 12, 13
62	146676	Presser Bar Lifting Bracket Lifter	261-11, 12, 13
63	307(819)	Presser Bar Lifting Bracket Lifter Hinge Screw	261-11, 12, 13
64	416081	Presser Bar Lifting Lever	261-11, 12, 13
65	302(819)	Presser Bar Lifting Lever Hinge Screw	261-11, 12, 13
66	416124	Tension Screw Stud 416017 (2) with 416023 (2)	261-11, 12, 13
67	504376	Presser Bar Lifting Lever Extension Screw (2)	261-11, 12, 13
68	416130	Hinge Screw (2)	261-11, 12, 13
69	146620	Tension Releasing Shaft Crank Connection Link	261-11, 12, 13
70	416024	Tension Releasing Shaft Crank with 504134	261-11, 12, 13
72	504134	Tension Releasing Shaft Crank Set Screw	261-11, 12, 13
73	143511-001	Presser Bar Lifting Lever Spring	261-11, 12, 13
75	1443(802)	Lap Seam Feller Clamping Plate Screw (2)	261-11, 12, 13
76	121449	Lap Seam Feller Clamping Plate	261-11, 12, 13
77	416036	Lap Seam Feller Slide	261-11, 12, 13
78	68003	Tension Releasing Shaft	261-11, 12, 13
79	121586	Lap Seam Feller, Adjustable	261-11, 12, 13
	161427	Lap Seam Feller with Yielding Lower Scroll and Adjustable Top Scroll	261-12
	121629	Lap Seam Feller, Adjustable	261-11, 12, 13
80	229	Screw (4)	261-11, 12, 13
81	140061(309)	Face Plate Screw (lower) (4)	261-11, 12, 13
82	154795	Looper Thread Guide Screw	261-11, 12, 13
83	416086	Looper Thread Guide Bracket	261-11, 12, 13
84	143487	Looper Thread Guide	261-11, 12, 13
85	32819	Looper (back) for 1/8 inch gauge	261-11, 12, 13
	32820	Looper (back) for 5/32 inch and 3/16 inch gauges	261-11, 12, 13
	32821	Looper (back) for 1/4 inch gauges	261-11, 12, 13
86	32822	Looper (front) for 1/8 inch gauge	261-11, 12, 13
	32823	Looper (front) for 5/32 inch and 3/16 inch gauges	261-11, 12, 13

LIST OF PARTS FOR 261-11, 12 and 13 MACHINES

	CODE	PART NO.	DESCRIPTION	MACHINE VARIETY	
13		327	143672	Arm Rotary Shaft Sprocket Wheel with two each 416054 and 202253	261-11, 12, 13
13		328	416054	Sprocket Wheel Set Screw (2)	261-11, 12, 13
13		329	202253	Sprocket Wheel Spring Flange (2)	261-11, 12, 13
13		330	544322	Bed Rotary Shaft Belt Guard Set Screw (2)	261-11, 12, 13
13		331	416069	Bed Rotary Shaft Belt Guard with two 544322	261-11, 12, 13
13		332	143544	Thread Tube (belt guard) with four 139162	261-11, 12, 13
13		333	416137	Thread Tube (belt guard) Set Screw (3)	261-11, 12, 13
13		334	139162	Thread Tube (belt guard) Bushing (4)	261-11, 12, 13
13		335	416046	Bed Rotary Shaft Sprocket Wheel Set Screw (2)	261-11, 12, 13
13		336	143675	Bed Rotary Shaft Sprocket Wheel with 202253 and two 416046	261-11, 12, 13
13		337	50608(813)	Plug Screw (2)	261-11, 12, 13
13		338	139017	Plug Screw Washer (2)	261-11, 12, 13
13		339	456(830)	Slide Block Stud Set Screw (in 416074)	261-11, 12, 13
13		340	416074	Looper Avoiding Eccentric Forked Connection Bracket with 456(830)	261-11, 12, 13
13		341	143458	Looper Avoiding Eccentric Forked Connection Slide Block	261-11, 12, 13
13		342	416073	Looper Avoiding Eccentric with four 504048	261-11, 12, 13
13		343	143444	Bed Rotary Shaft Bushing, Flanged (right)	261-11, 12, 13
13		344	50422(803)	Bed Rotary Shaft Bushing, Flanged (right) Set Screw	261-11, 12, 13
13		345	416028	Thread (looper) Take-up with two 544306	261-11, 12, 13
13		347	416093	Oil Reservoir complete, Nos. 143509, 143542, 143601, 164133, 164134, 416093, two each 164132, 416008 and three 545109	261-11, 12, 13
13		348	143542	Oil Reservoir Screen Frame	261-11, 12, 13
13		349	143509	Oil Reservoir Screen	261-11, 12, 13
13		350	545109	Oil Reservoir Screen Frame Screw (3)	261-11, 12, 13
13		351	143508	Oil Reservoir Gasket	261-11, 12, 13
13		352	966(819)	Oil Reservoir Screw (21)	261-11, 12, 13
13		353	164134	Oil Reservoir Sight Gauge Window Retainer	261-11, 12, 13
13		354	164132	Gasket (2)	261-11, 12, 13
13		355	164133	Oil Reservoir Sight Gauge Window	261-11, 12, 13
13		356	416008	Oil Reservoir Sight Gauge Window Retainer Screw (2)	261-11, 12, 13
13		357	143601	Sight Gauge Background Disc	261-11, 12, 13
13		360	416053	Oil Reservoir Drain Plug	261-11, 12, 13
13		366	416016	Bed Rotary Shaft Screw (right)	261-11, 12, 13
13		367	139036	Bed Rotary Shaft Belt Guard Cover 139035 with 139027	261-11, 12, 13
13		369	264715	Bed Rotary Shaft Belt	261-11, 12, 13
13		369	139037	Belt Guard Cover Gasket (cork)	261-11, 12, 13
13		370	139035	Belt Guard Cover	261-11, 12, 13
13		371	416121	Machine Pulley with two 51283(830)	261-11, 12
13			416039	Machine Pulley with two 51283(830)	261-13
13		372	51283(830)	Machine Pulley Set Screw (2)	261-11, 12, 13
13		374	545361	Belt Guard Cover Screw (2)	261-11, 12, 13
13		386	143236	Arm Rotary Shaft Screw Plug (front) Washer	261-11, 12, 13
13		387	416048	Arm Rotary Shaft Screw Plug (front)	261-11, 12, 13
13		388	416006	Thread (looper) Take-up Cover Position Screw Stud	261-11, 12, 13
13		389	143521	Thread (looper) Thread Tube Cover	261-11, 12, 13
13		390	143522	Thread (looper) Thread Tube Cover 143521 with 139171 and two 229(309)	261-11, 12, 13
13		391	139167	Thread (looper) Tube Bushing (4)	261-11, 12, 13
13		392	416029	Thread (looper) Tube complete with 20995 and four 139167	261-11, 12, 13
13		393	416118	Arm Rotary Shaft Bevel Gear (right hand spiral) with 549084 and two 545068	261-11, 12, 13
13		394	59456	Slide Block Guide Screw Washer (2)	261-11, 12, 13
13		395	430(830)	Tension (looper thread) Body Set Screw	261-11, 12, 13
13		396	146609	Presser Bar Lifting Lever Extension	261-11, 12, 13
13		397	143624	Arm Rotary Shaft Sprocket Wheel Oil Retaining Ring	261-11, 12, 13
13		398	143622	Oil Return Tube	261-11, 12, 13
13		399	133240	Oil Removing Tube (head end) Screen	261-11, 12, 13
13		400	416103	Bed Rotary Shaft Bushing (left) Oil Tube, with 143124 and 416064	261-11, 12, 13
13		401	158045	Arm Shaft Sprocket Wheel Spacing Washer	261-11, 12, 13
13		402	416059	Machine Mounting Bracket (long) Screw (2)	261-11, 12, 13
13		403	14475	Needle Bar Connecting Link Screw Cap Disc	261-11, 12, 13
13		404	175032	Presser Bar Spring Washer	261-11, 12, 13
13		405	32381	Needle Guard	261-11, 12, 13
13		406	416014	Needle Guard Holder	261-11, 12, 13
13		407	416135	Needle Guard Screw	261-11, 12, 13
13		408	416141	Needle Guard Screw	261-11, 12, 13
13		412	416058	Arm Hole Plug Screw	261-11, 12, 13
13		413	139017	Arm Hole Plug Screw Washer	261-11, 12, 13
13		415	416007	Thread (needle) Take-up Plate Spring Screw	261-11, 12, 13
13		416	68164	Thread (upper) Take-up Plate Spring	261-11, 12, 13
13		417	54095	Thread (upper) Take-up Plate	261-11, 12, 13
13		418	337	Thread (needle) Take-up Extension Screw	261-11, 12, 13
13		419	139196	Thread (needle) Take-up Extension	261-11, 12, 13
13		420	416031	Thread (needle) Take-up	261-11, 12, 13
13		421	143658	Tension (needle thread) Regulating Thumb Nut Locking Spring	261-11, 12, 13
13		422	416128	Thread (needle) Take-up complete, Nos. 54095, 68164, 139196, 416007, 416033 and 337	261-11, 12, 13
13		423	Cat. 2793-01	Needle (149xs25)	261-11
13			Cat. 2793-01	Needle (149xs25)	261-12
13			Cat. 3651-05	Needle (1-9X3)	261-13

LIST OF PARTS FOR 261-11, 12 and 13 MACHINES

CODE	PART NO.	DESCRIPTION	MACHINE VARIETY
229	146672	Arm Rotary Shaft Flanged Bushing (front)	261-11, 12, 13
230	152503	Arm Rotary Shaft Bushing (center)	261-11, 12, 13
231	416124	Arm Rotary Shaft Flanged Bushing (center) Set Screw	261-11, 12, 13
232	139111	Needle Bar Connecting Stud Slide Block	261-11, 12, 13
233	416044	Arm Rotary Shaft Flanged Bushing (front) Set Screw	261-11, 12, 13
234	416119	Arm Rotary Shaft Thrust Collar with two 504134	261-11, 12, 13
235	504134	Arm Rotary Shaft Thrust Collar Set Screw (2)	261-11, 12, 13
236	146633	Thread (needle) Eyelet (side of arm)	261-11, 12, 13
237	139198	Thread (needle) Take-up (auxiliary)	261-11, 12, 13
238	7071	Thread (needle) Eyelet (side of arm) Position Screw Washer	261-11, 12, 13
239	54242	Thread (needle) Take-up (auxiliary) Clamp	261-11, 12, 13
240	416133	Thread (needle) Take-up (auxiliary) Clamp Screw	261-11, 12, 13
	416133	Thread (needle) Eyelet (side of arm) Position Screw	261-11, 12, 13
241	416004	Thread (needle) Eyelet (side of arm) Screw	261-11, 12, 13
243	416125	Oil Pipe complete, No. 143503 with 143065 and 416062	261-11, 12, 13
244	143503	Oil Pipe	261-11, 12, 13
245	416062	Oil Pipe Clamping Sleeve Nut	261-11, 12, 13
246	143065	Oil Pipe Clamping Sleeve	261-11, 12, 13
247	143071	Oil Pump Body Position Pin (2)	261-11, 12, 13
248	146908	Needle Bar Connecting Stud Slide Block Guide	261-11, 12, 13
249	143570	Thread Guide (front of arm)	261-11, 12, 13
250	140180(809)	Thread Guide (front of arm) Screw	261-11, 12, 13
253	143645	Bed Rotary Shaft Bushing (intermediate)	261-11, 12, 13
256	416101	Oil Tube Connection	261-11, 12, 13
257	416044	Set Screw	261-11, 12, 13
258	416083	Tension (looper thread) complete, Nos. 416087 two each 143514, 416082 and four 10106	261-11, 12, 13
259	416082	Tension Screw Stud 416051 with 416002 (2)	261-11, 12, 13
260	416009	Tension Regulating Thumb Nut (2)	261-11, 12, 13
261	143514	Tension Spring (2)	261-11, 12, 13
262	10106	Tension Disc (4)	261-11, 12, 13
263	416051	Tension Screw Stud (2)	261-11, 12, 13
264	416087	Tension (looper thread) Body	261-11, 12, 13
265	416136	Oil and Lint Guard Screw (2)	261-11, 12, 13
266	143499	Oil and Lint Guard	261-11, 12, 13
269	416020	Arm Top Cover Screw (4)	261-11, 12, 13
271	416117	Arm Top Cover	261-11, 12, 13
272	146508	Arm Top Cover Gasket	261-11, 12, 13
273	416020	Oil Lead Screw	261-11, 12, 13
274	143370	Oil Lead	261-11, 12, 13
275	549084	Arm Rotary Shaft Bevel Gear Position Screw	261-11, 12, 13
276	416061	Arm Shaft (upright) Bevel Gear (upper), left hand spiral with two 545068	261-11, 12, 13
277	545068	Set Screw (2)	261-11, 12, 13
278	416066	Arm Shaft (upright)	261-11, 12, 13
279	147111-301	Arm Shaft (upright) Bushing (upper)	261-11, 12, 13
281	146505	Arm Shaft (upright) Bushing (lower)	261-11, 12, 13
283	416067	Arm Shaft (upright) Collar with two 545068	261-11, 12, 13
284	545183	Oil Pump Body Screw (3)	261-11, 12, 13
285	416114	Oil Pump Body 416113 with three 416065	261-11, 12, 13
286	416113	Oil Pump Body	261-11, 12, 13
287	416090	Oil Pipe with 143124 and 416064	261-11, 12, 13
288	416126	Oil Pipe with 143124 and 416064	261-11, 12, 13
289	416100	Oil Tube complete with two each 143124 and 416064	261-11, 12, 13
290	143659	Bed Rotary Shaft	261-11, 12, 13
291	544306	Thread (looper) Thread Tube Cover Hinge Plate (2)	261-11, 12, 13
292	416063	Oil Pump Impeller	261-11, 12, 13
293	545252	Oil Pump Impeller Locking Screw	261-11, 12, 13
294	146600	Oil Pump Cover	261-11, 12, 13
295	146657	Oil Pump Screen	261-11, 12, 13
296	146653	Oil Pump Screen Frame	261-11, 12, 13
297	139519	Thread (looper) Thread Tube Cover Hinge Plate (left) 139172 with 12162	261-11, 12, 13
298	139520	Thread (looper) Thread Tube Cover Hinge Plate (right) 139172 with 12162	261-11, 12, 13
299	545193	Oil Pump Screen Frame Screw (3)	261-11, 12, 13
300	140061(300)	Cover Hinge Plate Screw (2)	261-11, 12, 13
301	139172	Thread (looper) Thread Tube Cover Hinge Plate (2)	261-11, 12, 13
302	12162	Cover Hinge Pin (2)	261-11, 12, 13
303	139171	Cover Catch	261-11, 12, 13
304	229(309)	Cover Catch Screw (2)	261-11, 12, 13
305	139173	Cover Lock Spring	261-11, 12, 13
306	416030	Cover Lock Spring Reinforcing Plate	261-11, 12, 13
307	416136	Cover Lock Spring Screw (2)	261-11, 12, 13
308	20995	Cover Lock Spring Position Spring	261-11, 12, 13
309	416070	Bed Rotary Shaft Bushing Flanged (right) Spacing Collar with two 504048	261-11, 12, 13
310	504048	Spacing Collar Set Screw (4)	261-11, 12, 13
311	416142	Arm Rotary Shaft Flanged Bushing (back) Oil Pump Tube Holder Screw	261-11, 12, 13
312	146790	Oil Pump Tube	261-11, 12, 13
313	416124	Arm Rotary Shaft Flanged Bushing (back) Set Screw	261-11, 12, 13
314	143641	Arm Rotary Shaft Flanged Bushing (back)	261-11, 12, 13
316	416133	Thread Guide Bracket Screw	261-11, 12, 13
317	146591	Oil Flow Body	261-11, 12, 13
318	143061	Oil Flow Body Gasket (2)	261-11, 12, 13
319	143062	Oil Flow Window	261-11, 12, 13
320	143408	Oil Flow Window Cap	261-11, 12, 13
321	416136	Oil Flow Window Cap Screw (4)	261-11, 12, 13
322	50342(309)	Thread (looper) Thread Guide Screw (4)	261-11, 12, 13
323	416034	Thread (looper) Thread Guide Bracket	261-11, 12, 13
324	416142	Guide Bracket Support Screw (upper)	261-11, 12, 13
325	139125	Guide Bracket Support	261-11, 12, 13
326	416136	Guide Bracket Support Screw (lower)	261-11, 12, 13

S
26

1 -

2 -

3 -

6 -

7 -

8 -

11 -

14 -

LIST OF PARTS FOR 261-11, 12 and 13 MACHINES

CODE	PART NO.	DESCRIPTION	MACHINE VARIETY
146	21488	Presser Foot Plate and Yielding Heel Connection	261-11
147	139135	Presser Foot Plate (front)	261-12, 13
148	139281	Thread (looper) Thread Tube (side of bed)	261-11, 12, 13
149	1255(805)	Feed Dog Screw	261-11, 12, 13
150	443(830)	Feed Bar Hinge Pin Set Screw	261-11, 12, 13
151	545407	Feed Bar Hinge Pin Set Screw Lock Nut	261-11, 12, 13
152	416145	Feed Bar Hinge Pin (eccentric)	261-11, 12, 13
153	139046	Feed Bar Hinge Pin Slide Block	261-11, 12, 13
154	504084	Connection Screw (short)	261-11, 12, 13
155	545385	Connection Screw (long)	261-11, 12, 13
156	140440(819)	Needle Bar Bushing (upper) Oil Plug Screw	261-11, 12, 13
157	416112	Needle Bar Bushing (upper)	261-11, 12, 13
158	1133(830)	Needle Bar Bushing (upper) Set Screw	261-11, 12, 13
160	416105	Arm Rotary Shaft 416097 with 416045, 143236 and 416122	261-11
	416106	Arm Rotary Shaft 416098 with 416045, 143236 and 416122	261-12
	416107	Arm Rotary Shaft 416099 with 416045, 143236 and 416122	261-13
161	416122	Needle Bar Connecting Link with 14475, 139533 and 416123	261-11, 12, 13
162	140061	Clamping Screw	261-11, 12, 13
163	416123	Needle Bar Connecting Stud with 140061(805) and 143619	261-11, 12, 13
164	139533	Needle Bar Connecting Link Screw Cap	261-11, 12, 13
165	416097	Arm Rotary Shaft with 504095, 416048 and 504120	261-12
	416098	Arm Rotary Shaft with 504095, 416048 and 504120	261-12
	416099	Arm Rotary Shaft with 504095, 416048 and 504120	261-13
166	504120	Needle Bar Crank Position Screw	261-11, 12, 13
167	504095	Set Screw	261-11, 12, 13
168	416048	Needle Bar Connecting Link Hinge Stud Clamping Screw	261-11, 12, 13
169	51460	Thread (needle) Take-up Clamping Screw	261-11, 12, 13
170	416033	Thread (needle) Take-up with 51460	261-11, 12, 13
171	20799-001	Needle Bar Bushing (lower)	261-11, 12,
	20799-002	Needle Bar Bushing (lower)	261-12
172	1133(830)	Needle Bar Bushing (lower) Set Screw	261-11, 12, 13
173	146572	Needle Bar	261-11, 12, 13
174	143497	Needle Clamp Thread Guide	261-11, 12, 13
175	139116	Needle Clamp with two 143497, for gauges 1/8 inch to 1/4 inch (NOTE: State gauge required.)	261-11, 12, 13
176	1498310	Needle Set Screw (2)	261-11, 12, 13
177	143489	Needle Bar complete, for 3/32 inch to 3/16 inch gauges, Nos. 139116 and 146573 (NOTE: State gauge required.)	261-11, 12, 13
178	691(806)	Throat Plate Screw (3)	261-11, 12, 13
179	139538-000	Throat Plate for 1/8 inch and 3/16 inch gauges (NOTE: State gauge required.)	261-11, 12
	22572-012	Throat Plate for 3/16 inch gauge	261-11
	139541-016	Throat Plate for 1/4 inch gauge (NOTE: State gauge required.)	261-12
	139389-000	Throat Plate for 3/16 inch to 1/4 inch gauges (NOTE: State gauge required.)	261-12
	139385-000	Throat Plate for 3/16 inch and 1/4 inch gauges (NOTE: State gauge required.)	261-13
180	416078	Oil Connection	261-11, 12, 13
181	416001	Oil Connection Screw (2)	261-11, 12, 13
182	143459	Slide Block Cover (back)	261-11, 12, 13
183	143460	Slide Block Cover (front)	261-11, 12, 13
184	549030	Forked Connection Crank Clamping Screw	261-11, 12, 13
185	416075	Looper Avoiding Eccentric Forked Connection Crank with 549030	261-11, 12, 13
186	146805	Needle Bar Bushing (lower and upper) Oil Wick complete, Nos. 146703, 146804 and two 146590	261-11, 12, 13
187	146580	Oil Wick Clip (2)	261-11, 12, 13
188	146703	Oil Wick Clamp and Retainer	261-11, 12, 13
189	146804	Needle Bar Bushing Oil Wick	261-11, 12, 13
190	416003	Needle Bar Connecting Stud Slide Block Guide Screw (2)	261-11, 12, 13
191	416102	Bed Rotary Shaft Bushing (left) and Looper Avoid Bracket Oil Tube with two each 143124 and 416064	261-11, 12, 13
192	225(805)	Slide Block Cover Screw (2)	261-11, 12, 13
193	416064	Oil Tube Clamping Sleeve Nut (1)	261-11, 12, 13
194	143124	Oil Tube Clamping Sleeve (7)	261-11, 12, 13
195	416065	Oil Tube Clamping Sleeve Adapter (3)	261-11, 12, 13
196	416085	Thread (looper) Take-up Stripper Plate Bracket 416084 with 240309, 7071, 51282(809), 139145, 139146, 139147, 139148, 139149, 139150, 139151, 139152, 139153, 139154, 139155, 139156, 139157, 143517, 416140, 416142 and two each 416137, 416138, 565(809) and 17022	261-11, 12, 13
197	240309	Thread Retainer Screw	261-11, 12, 13
198	139157	Thread Retainer	261-11, 12, 13
199	139156	Thread Separator	261-11, 12, 13
200	139154	Thread Guide (left)	261-11, 12, 13
201	139148	Thread (looper) Take-up Stripper	261-11, 12, 13
202	416138	Thread (looper) Take-up Stripper Plate Screw (2)	261-11, 12, 13
203	416137	Thread (looper) Take-up Stripper Screw (2)	261-11, 12, 13
204	416140	Thread Guide (right) Screw	261-11, 12, 13
205	7071	Thread Guide (right) Screw Washer	261-11, 12, 13
206	139155	Thread Guide (right)	261-11, 12, 13
207	416142	Thread Guide (left) Screw	261-11, 12, 13
208	17022	Stripper Screw Washer (2)	261-11, 12, 13
209	139147	Take-up Cover Lock Spring	261-11, 12, 13
210	51282(809)	Take-up Cover Lock Spring Screw	261-11, 12, 13
211	139145	Thread (looper) Take-up Cover	261-11, 12, 13
212	143455	Looper Avoiding Eccentric Forked Connection	261-11, 12, 13
213	665(809)	Stripper Plate Thread Guard Screw (2)	261-11, 12, 13
214	416084	Stripper Plate Bracket	261-11, 12, 13
215	139146	Take-up Cover Hinge Pin	261-11, 12, 13
216	143517	Stripper Plate	261-11, 12, 13
217	139142	Stripper Plate Thread Guard	261-11, 12, 13
218	416132	Stripper Plate Bracket Screw (2)	261-11, 12, 13
219	156772	Oil Removing Tube (head end)	261-11, 12, 13
220	143619	Stud Oil Wick (felt)	261-11, 12, 13

LIST OF PARTS FOR 261-11, 12 and 13 MACHINES

CODE	PART NO.	DESCRIPTION	MACHINE VARIETY
86	32824	Looper (front) for 1/4 inch gauge	261-11, 12, 13
87	143474	Looper Gate (right) 143473 with 143477 and 51282(819), for Throat Plates 3/4 inch wide	261-11, 12, 13
	143476	Looper Gate (right) 143475 with 143477 and 51282(819), for Throat Plates 7/8 inch wide	261-11, 12, 13
88	143477	Looper Gate (right) Lock Spring	261-11, 12, 13
89	51282(819)	Looper Gate (right) Lock Spring Screw	261-11, 12, 13
90	143473	Looper Gate (right) for Throat Plates 3/4 inch wide	261-11, 12, 13
	143475	Looper Gate (right) for Throat Plates 7/8 inch wide	261-11, 12, 13
91	143478	Looper Gate Hinge Pin (2)	261-11, 12, 13
92	416043	Looper Eccentric Collar and Support with 416020 and two 545390	261-11, 12, 13
93	139537-000	Feed Dog, 21 teeth (16 teeth to the inch), for 1/8 inch and 5/32 inch gauges (NOTE: State gauge required.)	261-11, 12
	22571-012	Feed Dog (14 teeth to the inch), for 3/16 inch gauge, for Chaining-off	261-11
	139540-016	Feed Dog, 19 teeth (14 teeth to the inch), for 1/4 inch gauge (NOTE: State gauge required.)	261-11
	139388-000	Feed Dog, 16 teeth (12 teeth to the inch), for 3/16 inch and 1/4 inch gauges (NOTE: State gauges required.)	261-12
	139414-000	Feed Dog, 11 teeth (8 teeth to the inch), for 3/16 inch to 1/4 inch gauges (NOTE: State gauge required.)	261-13
94	143448	Feed Bar	261-11, 12, 13
95	504091	Plug Screw	261-11, 12, 13
96	416020	Clamping Screw	261-11, 12, 13
97	139065	Link Hinge Pin (2)	261-11, 12, 13
98	139064	Connecting Link	261-11, 12, 13
99	1047(830)	Set Screw	261-11, 12, 13
101	446(830)	Set Screw	261-11, 12, 13
102	139534	Looper Driving Arm Hinge Stud	261-11, 12, 13
103	545390	Set Screw (2)	261-11, 12, 13
104	139030	Bed Rotary Shaft Bushing (left) Cover	261-11, 12, 13
105	143643	Bed Rotary Shaft Bushing (left) "M" Pin	261-11, 12, 13
106	143644	Bed Rotary Shaft Bushing (left)	261-11, 12, 13
107	416044	Set Screw	261-11, 12, 13
108	143462	Looper Eccentric Connection with 143473	261-11, 12, 13
109	416091	Looper Eccentric and Feed Lifting Eccentric with two 545390	261-11, 12, 13
110	545068	Looper Eccentric and Feed Lifting Eccentric Set Screw	261-11, 12, 13
111	416040	Feed Lifting Eccentric Forked Connection	261-11, 12, 13
112	143451	Feed Lifting Eccentric Forked Connection Slide Block	261-11, 12, 13
113	143450	Feed Eccentric Slide Block	261-11, 12, 13
114	416071	Feed Eccentric (adjustable) complete, Nos. 7071, 416139 and two 51061(830)	261-11, 12, 13
115	416139	Feed Eccentric Clamping Washer Screw	261-11, 12, 13
116	51061(830)	Set Screw (2)	261-11, 12, 13
117	416018	Feed Regulating Screw	261-11, 12, 13
118	7071	Feed Eccentric Clamping Washer	261-11, 12, 13
119	416047	Tension Bracket Screw	261-11, 12, 13
120	416052	Pressure Regulating Thumb Screw	261-11, 12, 13
121	416021	Pressure Regulating Thumb Screw Nut	261-11, 12, 13
122	139158	Thread (Looper) Thread Guide (2)	261-11, 12, 13
	139158	Thread (needle) Thread Guide (2)	261-11, 12, 13
123	416032	Thread (needle) Thread Guide Bracket	261-11, 12, 13
124	139177	Thread (needle) Eyelet	261-11, 12, 13
125	416138	Thread (needle) Eyelet Screw	261-11, 12, 13
126	32833	Presser Bar Spring Guide Pin	261-11, 12, 13
127	416003	Stop Screw	261-11, 12, 13
128	545454	Stop Screw Nut	261-11, 12, 13
129	416010	Tension (needle thread) Releasing Shaft Stop Screw 416003 with 545454	261-11, 12, 13
130	146159	Presser Bar Spring	261-11, 12, 13
131	416025	Tension (needle thread) Bracket (NOTE: State color required.)	261-11, 12, 13
132	143447	Face Plate	261-11, 12, 13
133	143543	Face Plate Gasket	261-11, 12, 13
134	416115	Presser Bar Lifting Bracket with 416005	261-11, 12, 13
135	416005	Clamping Screw	261-11, 12, 13
136	146751	Presser Bar Bushing (lower)	261-11, 12, 13
137	416116	Presser Bar Stop with 416134	261-11, 12, 13
138	416134	Clamping Screw	261-11, 12, 13
	416134	Presser Foot Screw	261-11, 12, 13
139	416041	Presser Bar	261-11, 12, 13
140	1133(805)	Presser Bar Bushing (lower) Set Screw	261-11, 12, 13
141	139138-000	Presser Foot (triple hinged) complete, for 1/8 inch and 5/32 inch gauges, Nos. 37160, 139134, 139135, 139137, 146167 and three 26276 (NOTE: State gauge required.)	261-12
	139223-000	Presser Foot (triple hinged) complete, for 3/16 inch and 1/4 inch gauges	261-12
	139420-000	Presser Foot (triple hinged) complete, for 3/16 inch and 1/4 inch gauges	261-13
	21492-005	Presser Foot (triple hinged) complete, for 1/8 inch gauge	261-11
	21492-010	Presser Foot (triple hinged) complete, for 5/32 inch gauge	261-11
	21492-012	Presser Foot (triple hinged) complete, for 3/16 inch gauge	261-11
	21492-016	Presser Foot (triple hinged) complete, for 1/4 inch gauge	261-11
142	37160	Presser Foot Plate Connection Spring	261-12, 13
	21489	Presser Foot Plate and Winding Reel Connection Springs	261-11
143	26276	Hinge Pin (3)	261-12, 13
	26276-004	Hinge Pin	261-11
144	139134	Presser Foot Plate (back) (NOTE: State gauge required.)	261-12, 13
	21487-008	Presser Foot Plate, for 1/8 inch gauge	261-11
144	21487-010	Presser Foot Plate, for 5/32 inch gauge	261-11
	21487-012	Presser Foot Plate, for 3/16 inch gauge	261-11
	21487-016	Presser Foot Plate, for 1/4 inch gauge	261-11
145	139137	Presser Foot Shank	261-12, 13
	21490	Presser Foot Shank	261-11
146	146167	Presser Foot Plate Connection	261-11, 13