

SINGER
246K14

ILLUSTRATED
LIST OF PARTS
FOR
No. 246K14 Machine



**A Trade Mark of THE SINGER MANUFACTURING COMPANY

INSTRUCTIONS FOR OILING

To ensure easy running and prevent unnecessary wear of the parts which are in movable contact, the machine requires oiling and when in continuous use, the oil gauge should be checked daily. The oil level should be maintained at the midpoint of the gauge.

To oil the machine, apply "TYPE A" OIL, sold only by Singer Sewing Machine Company, to the oil filler cup on top of the machine, as instructed in Form K6193.

CONTENTS

| | Page |
|---|------|
| Accessories | 17 |
| Belt Guard (Adjustable) | 17 |
| Blind Stitch Hemming Attachment (flip-up type) | 17 |
| Blind Stitch Hemming Attachment (yielding type) | 18 |
| Blind Stitch Hemming Attachment (latch type) | 19 |
| Chip Chute | 19 |
| Machine Base | 20 |
| Machine No. 216K14 | 5 |
| Numerical List of Parts | 21 |
| Set of Fittings, complete | 16 |
| Thread Unwinder... | 20 |

INSTRUCTIONS FOR ORDERING

In ordering from this List, the prefix and affix letters with the part number MUST BE quoted exactly as they are shown in the first column.

A number always indicates the same part in whatever List it may appear, or for whatever machine.

The affix letters (where shown) indicate the style of finish, as follows:—

- A. Hardened, Polished, Nickel Plated and Buffed.
- B. Polished, Nickel Plated and Buffed.
- C. Hardened only.
- D. Polished only.
- E. Soft, Not Polished.
- F. Hardened and Polished.
- G. Bright Rumbled and Nickel Plated.
- H. Blued.
- J. Nickel Plated only.
- K. Hardened and Nickel Plated.
- L. Brass Plated.
- M. Oxidized.
- R. Phosphate Coating Formed on Surface of Iron or Steel.
- S. Cadmium Plated.
- T. Copper Plated.
- U. Zinc Plated.
- V. Silver Plated.
- W. Polished and Nickel Plated.
- X. Black Oxide for Iron and Steel.
- Y. Black Nickel Plated only.
- Z. Chromium Plated.
- A.A. Buffed and Chromium Plated.
- A.B. Hardened, Polished, Buffed and Chromium Plated.
- A.E. Hardened, Bright Rumbled and Nickel Plated.
- A.F. Hardened, Bright Rumbled, Nickel Plated, Bright Rumbled and Chromium Plated.
- A.G. Alumilite (Plain).
- A.H. Alumilite (Dyed). Colour must be stated.
- A.J. Polished, Nickel Plated and Chromium Plated.
- A.K. Hardened, Polished, Nickel Plated and Chromium Plated.
- A.L. Heat Treated for Toughness.
- A.L.D. Heat Treated for Toughness and Polished.
- A.L.X. Heat Treated for Toughness and Black Oxide.
- A.S. Black Moulded Phenolic.
- A.T. Beige Moulded Phenolic.
- A.U. Brown Moulded Phenolic.
- A.W. Hardened then Flame Coated with Tungsten Carbide.
- B.A. Chrome Nickel, Satin Finish.
- B.B. Hardened and Chrome Nickel, Satin Finish.
- C.R. Hardened and Phosphate Coating Formed on Surface of Steel.
- C.U. Hardened and Zinc Plated.
- F.J. Hardened, Polished and Nickel Plated.
- T.A. Hardened, Polished, Copper and Nickel Plated and Buffed.
- T.B. Copper and Nickel Plated and Polished.
- T.J. Copper and Nickel Plated only.
- T.K. Hardened, Copper and Nickel Plated.
- T.L. Copper and Brass Plated.
- T.M. Copper Plated and Oxidized.
- X.C. Hardened and Black Oxide for Iron and Steel.
- Z.A. Hardened, Polished, Nickel Plated, Buffed and Chromium Plated.
- Z.B. Polished, Nickel Plated. Buffed and Chromium Plated.
- Z.C. Hardened and Chromium Plated.
- Z.D. Polished and Chromium Plated.
- Z.G. Bright Rumbled, Nickel Plated. Bright Rumbled and Chromium Plated.
- Z.J. Nickel and Chromium Plated.
- Z.T. Copper and Chromium Plated.

Parts marked with an asterisk (*) are furnished only when the repairs are made at Factory.

PARTS COMPLETE

FOR

No. 246K14 MACHINE

For Trimming, Overedging and Blind Stitch Hemming or Welting Light and Medium Weight Fabrics. One Needle, One Looper, One Spreader. Two-Thread Overedge Stitch. Gathering Feed. Trimmer. Foot Lifter. Automatic Lubrication and Oil Cooling System.

| No. | Plate | Name | | | | | | |
|---------|-------|--|-----|-----|-----|-----|-----|-----|
| 161347 | 2831 | Chain Cutter | ... | ... | ... | ... | ... | ... |
| 51362a1 | 2831 | " " Screw (2) | ... | ... | ... | ... | ... | ... |
| 161001 | 24869 | Chip Guard | ... | ... | ... | ... | ... | ... |
| 1209j | 24869 | " " Screw (lower) | ... | ... | ... | ... | ... | ... |
| 140509j | 24869 | " " " (upper) | ... | ... | ... | ... | ... | ... |
| 164518 | 24877 | Cloth Guide | ... | ... | ... | ... | ... | ... |
| 160748 | 24877 | " " Bracket | ... | ... | ... | ... | ... | ... |
| 208j | 24877 | " " " Screw | ... | ... | ... | ... | ... | ... |
| 140061k | 24877 | " " Hinge Screw | ... | ... | ... | ... | ... | ... |
| 164519 | | Cloth Guide (swing-out) complete, Nos. 140061k, 160748 and 164518 | | | | | | |
| 164513 | 24869 | Cloth Plate | ... | ... | ... | ... | ... | ... |
| 164512 | 24869 | " " Extension | ... | ... | ... | ... | ... | ... |
| 51408j | 24869 | " " " Screw | ... | ... | ... | ... | ... | ... |
| 1700j | 24869 | " " " Nut | ... | ... | ... | ... | ... | ... |
| 931084 | 24869 | " " " " " Lock Washer | ... | ... | ... | ... | ... | ... |
| 161205 | 24869 | " " Lock Spring | ... | ... | ... | ... | ... | ... |
| 1700j | 24869 | " " " " Nut | ... | ... | ... | ... | ... | ... |
| 931084 | 24869 | " " " " " Lock Washer | ... | ... | ... | ... | ... | ... |
| 1250a1 | 24869 | " " " " Screw Stud | ... | ... | ... | ... | ... | ... |
| 161104 | 24869 | " " Plunger | ... | ... | ... | ... | ... | ... |
| 161105 | 24869 | " " " Spring | ... | ... | ... | ... | ... | ... |
| 624a1 | 24869 | " " " Set Screw | ... | ... | ... | ... | ... | ... |
| 164106 | 24869 | " " Position Collar with two 624a1 | ... | ... | ... | ... | ... | ... |
| 624a1 | 24869 | " " " " Set Screw | ... | ... | ... | ... | ... | ... |
| 164514 | 24869 | Cloth Plate with Extension, complete, Nos. 164205, 164512, 164513, two each 1700j, 51408j and 931084 | | | | | | |
| 164003 | 24827 | Feed Bar Hinge Pin (eccentric) | ... | ... | ... | ... | ... | ... |
| 1389c | 24827 | " " " " Set Screw | ... | ... | ... | ... | ... | ... |
| 164004 | 24827 | " " Slide Block (back) | ... | ... | ... | ... | ... | ... |
| 1628c | 24827 | " " " " (") Nut | ... | ... | ... | ... | ... | ... |
| 17022 | 24827 | " " " " (") " Washer | ... | ... | ... | ... | ... | ... |

| No. | Plate | Name | | | |
|--|-------------------------|---|-----|-----|-----|
| 164005 | 24827 | Feed Bar Slide Block (front) | ... | ... | ... |
| 164687 | 24827 | " (back) Bar with 164010 | ... | ... | ... |
| 164017 | 24827 | " (") " Connection | ... | ... | ... |
| 164008 | 24827 | " (") " " Bearing | ... | ... | ... |
| 164009 | 24827 | " (") " " Hinge Screw Stud | ... | ... | ... |
| 1671c | 24827 | " (") " " " " " Nut | ... | ... | ... |
| 164010 | 24827 | " (") " " " " " Position Pin | ... | ... | ... |
| 164495 | 24873 | " (") Dog Section (left) | ... | ... | ... |
| 164243 | 24873 | " (") " " (right) | ... | ... | ... |
| 1100al | 24873 | " (") " " (") Screw | ... | ... | ... |
| 164496 | 24873 | Feed (back) Dog, complete, Nos. 1100al, 164243 and 164495 | ... | ... | ... |
| 1454f | 24873 | Feed (back) Dog Screw | ... | ... | ... |
| 164020 | 24827 | " (") Eccentric | ... | ... | ... |
| NOTE.—Feed (back) Eccentric No. 164020 is furnished in 6 to 16, 18, 20, 22, 24, 28, 32 and 36 stitches to the inch, unless otherwise stated No. 164020 (14 stitches to the inch) is supplied regularly. | | | | | |
| 164006 | 24827 | Feed (front) Bar with 164010 | ... | ... | ... |
| 164007 | 24827 | " (") " Connection | ... | ... | ... |
| 164018 | 24827 | " (") " " Bearing | ... | ... | ... |
| 164009 | 24827 | " (") " " Hinge Screw Stud | ... | ... | ... |
| 1671c | 24827 | " (") " " " " " Nut | ... | ... | ... |
| 164010 | 24827 | " (") " " " " " Position Pin | ... | ... | ... |
| 164208 | — | Feed (back) and (front) Bars, complete, Nos. 164005 to 164008, 164017, 164018, 164687, two each 1671c, 164004 and 164009 | ... | ... | ... |
| 164497 | 24873 | Feed (front) Dog | ... | ... | ... |
| 1454f | 24873 | " (") " Screw | ... | ... | ... |
| 164020 | 24827 | " (") Eccentric | ... | ... | ... |
| NOTE.—Feed (front) Eccentric No. 164020 is furnished in 6 to 16, 18, 20, 22, 24, 28, 32 and 36 stitches to the inch, unless otherwise stated No. 164020 (14 stitches to the inch) is supplied regularly. | | | | | |
| 164520 | 24827 | Feed Eccentric Cover | ... | ... | ... |
| 164705 | 164300 24827 | " " " Bracket with 164023 | ... | ... | ... |
| 157c | 24827 | " " " " Screw | ... | ... | ... |
| 629k | 24827 | " " " Hinge Screw... | ... | ... | ... |
| 164401 | 24827 | " " " Latch Spring | ... | ... | ... |
| 227j | 24827 | " " " " " Screw | ... | ... | ... |
| 164023 | 24827 | " " Oil Wick | ... | ... | ... |
| 164706 | 164521 24827 | " " Cover, complete, for use with eccentrics of 4 stitches and above Nos. 629k, 164300 164401, 164520 and two 164705 227j | ... | ... | ... |
| 164025 | 24812 | Feed Lifting and Knife (movable) Eccentric... | ... | ... | ... |
| 164455 | 2831 | Finger Guard | ... | ... | ... |
| 164456 | 2831 | " " Adaptor | ... | ... | ... |
| 1259al | 24829 | " " " Screw | ... | ... | ... |
| 1423j | 2831 | " " " Screw | ... | ... | ... |
| 164704 | | Feed Eccentric Cover Bracket | | | |

| No. | Plate | Name | | | |
|----------------------|-----------------|--|-----|-----|-----|
| 550164026 | 2831 | Knife (movable) (2) | ... | ... | ... |
| 164027 | 2831 | " (") Clamp | ... | ... | ... |
| 140050c | 2831 | " (") " Screw | ... | ... | ... |
| 164028 | 2831 | " (") Guard (lower) | ... | ... | ... |
| 164458 | 2831 | " (") " (upper) | ... | ... | ... |
| 164029 | 2831 | " (") Holder | ... | ... | ... |
| 198j | 2831 | " (") " Screw | ... | ... | ... |
| 164030 | 2831 | " (") " " Bearing | ... | ... | ... |
| 164714 | 2831 | " (") Lever with 620al | ... | ... | ... |
| 164715 | — | " (") " 164714 with 132583, 164035, 164136 and 164153 | ... | ... | ... |
| 164032 | 2831 | " (") " Bearing | ... | ... | ... |
| 447al | 2831 | " (") " " Set Screw (long) | ... | ... | ... |
| 624al | 2831 | " (") " " " (short) | ... | ... | ... |
| 164373 | 24829 | " (") " Cover and Presser Bar (upright) Housing with 1259al | ... | ... | ... |
| 50073j | 24829 | " (") " " " " (upright) Housing Screw (2) | ... | ... | ... |
| 164374 | — | " (") " Cover and Presser Bar (upright) Housing complete, Nos. 50060k, 164137 to 164139, 164142 to 164144, 164194 and 164373 | ... | ... | ... |
| 164180 | 2831 | Knife (movable) Lever Guide | ... | ... | ... |
| 164181 | 2831 | " (") " " Holder with two 140239al | ... | ... | ... |
| 164210 | 2831 | " (") " " " 164181 with 197j, 164177, 164180 and 164182 | ... | ... | ... |
| 140239al | 2831 | " (") " " " Set Screw | ... | ... | ... |
| 164182 | 2831 | " (") " " " Thread Tube | ... | ... | ... |
| 447al | 2831 | " (") " " " " Set Screw | ... | ... | ... |
| 197j | 2831 | " (") " " " Screw | ... | ... | ... |
| 132583 | 2831 | " (") " Hinge Pin with 132584 | ... | ... | ... |
| 132584 | 2831 | " (") " " " Oil Wick | ... | ... | ... |
| 620al | 2831 | " (") " " " Set Screw | ... | ... | ... |
| 164034 | 2831 | " (") " " Stud | ... | ... | ... |
| 164035 | — | " (") " " " 164034 with 164036 and 164269 | ... | ... | ... |
| 164036 | 2831 | " (") " " " Oil Wick (long) | ... | ... | ... |
| 164269 | — | " (") " " " " (short) | ... | ... | ... |
| 447al | 2831 | " (") " " " Set Screw (back) | ... | ... | ... |
| 1143al | 2831 | " (") " " " " (top) | ... | ... | ... |
| 164233 | 2831 | " (stationary) (2) | ... | ... | ... |
| 164554 | 2831 | " (") Clamping Stud | ... | ... | ... |
| 164523 | 2831 | " (") " " Nut | ... | ... | ... |
| 164524 | 2831 | " (") Holder | ... | ... | ... |
| 164590 | 2831 | " (") " Adjusting Stud | ... | ... | ... |
| 190c | 2831 | " (") " " Cap Screw | ... | ... | ... |
| 39541 | 2831 | " (") " " " Washer | ... | ... | ... |

| No. | Plate | Name |
|----------|-------|---|
| 164042 | 2831 | Knife (stationary) Holder Sleeve ... |
| 140088c | 2831 | " (") " " Screw ... |
| 164043 | 2831 | " (") " Spring ... |
| 164525 | 2831 | " (") " " Stud ... |
| 164462 | 2831 | Lint Stripper with 735al ... |
| 735al | 2831 | " " Screw ... |
| 164045 | 2830 | Looper ... |
| 164046 | 2830 | " Carrier with 460al, 50379f and 164202 ... |
| 164660 | 2830 | " " Holder with 1083c, 140396al and 140596al ... |
| 164661 | - | " " " 164660 with 1324c, 59456 and 164046 ... |
| 1083c | 2830 | " " " Clamping Screw ... |
| 140596al | 2830 | " " " Set Screw (left) ... |
| 140393al | 2830 | " " " " " (right) ... |
| 1324c | 2830 | " " Screw ... |
| 460al | 2830 | " " " Set Screw ... |
| 59456 | 2830 | " " " Washer ... |
| 164048 | 2830 | " Driving Shaft ... |
| 164049 | 2830 | " " " Bushing (back) ... |
| 140394c | 2830 | " " " " (") Cap Screw ... |
| 164293 | 2830 | " " " " (") " Washer (fibre) ... |
| 164737 | 2830 | " " " " (front) ... |
| 164051 | 2830 | " " " Crank with 1083c ... |
| 1083c | 2830 | " " " Clamping Screw ... |
| 164052 | 24812 | " " " Connection with two each 171al and 140159al ... |
| 164215 | - | " " " 164051 with 164052 ... |
| 171al | 24812 | " " " Connection Cap (lower) Screw ... |
| 140159al | 24812 | " " " " (upper) Screw ... |
| 164067 | 2830 | " " " Key ... |
| 1324c | 2830 | " " " " Screw ... |
| 45057 | 2830 | " " " " Washer ... |
| 164053 | 2830 | " " " Thrust Bearing ... |
| 164739 | 2830 | " " " Oil Ring (rubber) ... |
| 164740 | 2830 | " " " Spacer ... |
| 50379f | 2830 | " Set Screw ... |
| 161202 | 2830 | " Stop Pin... ... |
| 164349 | - | " Thread Tube ... |
| 853al | 24877 | " " " Set Screw ... |
| *164072 | - | Machine Frame ... |
| *164526 | - | Machine Frame, complete, Nos. 140396e, 164072, 164077, 164528 and three 140395c ... |
| 164074 | 24813 | Machine Frame Bottom Cover ... |
| 164075 | 24813 | " " " Gasket ... |
| 914c | 24813 | " " " Screw (13) ... |
| *164527 | - | " " Bracket ... |
| *164528 | - | " " " 164527 with 164207 and two 187e ... |

| No. | Plate | Name |
|-----------------------|------------------|--|
| 164207 | 24871 | Machine Frame Bracket Key ... |
| 187e | 24871 | " " " " Screw ... |
| 140396e | 24871 | " " " Screw (large) ... |
| 164077 | 24871 | " " " " (") Washer (fibre) ... |
| 164229 | 24871 | " " " " (") " (felt) ... |
| 140395c | 24871 | " " " " (small) ... |
| 164515 | 24813 | " " Cover (back) ... |
| 50571j | 24813 | " " " (") Screw (long) (2) ... |
| 914j | 24813 | " " " (") " (short) ... |
| 164516 | 24813 | " " " (") 164515 with 1637k and 140228c ... |
| 164081 | 24871 | " " Oil Lead ... |
| 140088c | 24871 | " " " " Screw ... |
| 1698j | 24871 | " " " " Nut ... |
| 164082 | 24871 | " " " Plug Bracket ... |
| 1036al | 24871 | " " " " Set Screw ... |
| 164083 | 24871 | " " " Screen ... |
| 206j | 24871 | " " " " Screw ... |
| 609-141003 | 24877 | " " " Splash Guard (internal) ... |
| 164605 | 24871 | " " " " (") Oil Pad ... |
| 164606 | 24871 | " " " " (") " " Fastener ... |
| 609-141004 | 24877 | Machine Frame Oil Splash Guard (internal) complete, Nos. 164605 , 164605 and 164606 ... |
| 164085 | 24829 | Machine Frame Oil Splash Guard (top) ... |
| 51023w | 24829 | " " " " " (") Screw (2) ... |
| 164722 | 24871 | " " " Tube with 164602 ... |
| 147al | 24871 | " " " " Set Screw ... |
| 164602 | 24871 | " " " Wick ... |
| 164089 | 24812 | " " Rotary Shaft ... |
| 164090 | - | " " " " 164089 with 164097, 164215, 164216, 164217, two each 164093 and 164232 ... |
| 139026 | 24812 | Machine Frame Rotary Shaft Ball Bearing ... |
| 164092 | 24812 | " " " " " " Housing ... |
| 51369c | 24812 | " " " " " " " Screw (3) ... |
| 164093 | 24812 | " " " " " Sleeve (two pieces) ... |
| 164232 | 24812 | " " " " " Guide ... |
| 164600 | 24812 | " " " " Bushing (front) ... |
| 1036al | 24812 | " " " " " (") Set Screw ... |
| 164095 | 24812 | " " " " " (intermediate) ... |
| 51332c | 24812 | " " " " " (") Set Screw ... |
| 164096 | 24812 | " " " " Counterbalance with 1036al ... |
| 1036al | 24812 | " " " " " Set Screw ... |
| 164097 | 24812 | " " " " Key ... |
| 51649c | 24812 | " " " " Nut ... |
| 131056 | 24812 | " " " " Washer ... |
| 164098 | 24812 | " " " " Oil and Ball Bearing Grease Retainer ... |

| No. | Plate | Name |
|----------|-------|--|
| 164099 | 24812 | Machine Frame Rotary Shaft Screw Stud |
| 164100 | 24812 | " " " " Thrust Bearing |
| 164101 | 24872 | " " Top Cover |
| 164214 | — | " " " " 164101 with 330j, 164103 and two 164118 |
| 164102 | 24872 | " " " " Gasket |
| 164103 | 24872 | " " " " Oil Lead |
| 330j | 24872 | " " " " " " Screw |
| 51369j | 24872 | " " " " " " Screw (3) |
| 164231 | 24812 | " Pulley (round and "V" belt) with two H8a1 |
| 164071 | 24812 | " " Cap |
| 140116x | 24812 | " " " " Screw |
| 148a1 | 24812 | " " " " Set Screw |
| 164109 | 24829 | Needle Clamp |
| 51720c | 24829 | " Clamping Nut |
| 164110 | 24829 | " Driving Shaft with 164118 |
| 164275 | — | " " " " 164110 with 51720c, 164109 and 164117 |
| 164111 | 24829 | " " " " Bushing |
| 161112 | 24829 | " " " " Cap |
| 164113 | 24829 | " " " " Oil Lead |
| 452a1 | 24829 | " " " " " " Hole Plug Screw |
| 164114 | 24829 | " " " " Crank with 1083c and two 140596a1 |
| 164115 | 24829 | " " " " Ball |
| 1083c | 2830 | " " " " Clamping Screw |
| 164217 | 24812 | " " " " Connection with 164115 |
| 157a1 | 24812 | " " " " " " Cap (lower) Screw (2) |
| 171a1 | 24812 | " " " " " " " (upper) Screw (2) |
| 140596a1 | 24829 | " " " " Set Screw |
| 164117 | 24829 | " Holder |
| 164118 | 24829 | " Stop Pin |
| 164119 | 24812 | Oil Agitator |
| 164120 | 24871 | " Cooler with two 164125 |
| 164121 | 24871 | " " Cover |
| 164123 | 24871 | " " " " 164121 with 164135 |
| 164122 | 24871 | " " " " Gasket |
| 145j | 24871 | " " " " Screw |
| 164124 | 24871 | " " Gasket |
| 164125 | 24871 | " " Oil Pipe |
| 164126 | 24871 | " " " " Tube with 138269 and 164128 |
| 164127 | 24871 | " " " " Coupling |
| 51630 | 24871 | " " " " Lock Nut |
| 138269 | 24871 | " " " " Sleeve |
| 164128 | 24871 | " " " " Wick |
| 51139j | 24871 | " " Screw (long) (2) |
| 1324j | 24871 | " " " " (short) |
| 164135 | 24871 | " Cup for filling machine |

151X5

Needle, size 11

| No. | Plate | Name |
|---|-------|--|
| 164607 | 2831 | Oil Deflector |
| 164131 | 24871 | " Sight Gauge Background Disc |
| 164132 | 24871 | " " " " " " Gasket |
| 164133 | 24871 | " " " " Window |
| 164132 | 24871 | " " " " " " Gasket |
| 164134 | 24871 | " " " " " " Retainer |
| 164132 | 24871 | " " " " " " Gasket |
| 1485j | 24871 | " " " " " " Screw (2) |
| 164136 | 2831 | Presser Bar Bracket |
| 164137 | 24829 | " " Lifting Bracket with 462a1, 624a1 and 51846 |
| 51846 | 24829 | " " " " " " Roller and Stud |
| 624a1 | 24829 | " " " " " " Set Screw (long) |
| 462a1 | 24829 | " " " " " " " " (short) |
| 164138 | 24829 | " " " " Lever |
| 164139 | 24829 | " " " " " " Spring |
| 140228c | 24813 | " " " " " " Stop Screw |
| 1637k | 24813 | " " " " " " " " Nut |
| 164350 | 2831 | " " (swing-out) |
| 164141 | 2831 | " " (") Lifting Screw Stud |
| 1700j | 2831 | " " (") " " " Nut |
| 164142 | 24829 | " " (") Opening Lever |
| 50060k | 24829 | " " (") " " Hinge Screw |
| 140510c | 2831 | " " (") Pivot Screw |
| 164351 | 2831 | " " (") " " Lock Washer |
| 51362a1 | 2831 | " " (") " " " " Screw |
| 164143 | 24829 | " " (upright) |
| 164144 | 24829 | " " (") Spring |
| 164146 | — | " " (") " (heavy) |
| NOTE: No. 161111 is supplied with machine. | | |
| *164352 | — | Presser Foot Body (back) |
| *164508 | — | " " " " (front) |
| 164509 | 24873 | " " " " (hinged) Nos. 164352, 164355 and 164508 |
| 164355 | — | " " " " Hinge Pin |
| 164356 | 24873 | " " Chaining-off Finger |
| 164147 | 24873 | " " Clamping Plate |
| 50225j | 24873 | " " " " Screw |
| 164511 | 24873 | Presser Foot (hinged) complete, Nos. 164147, 164356, 164509, 164510 and two 50225j |
| 164517 | 24871 | Presser Foot Hemming Guide for $\frac{1}{4}$ in., $\frac{3}{8}$ in., $\frac{1}{2}$ in., $\frac{5}{8}$ in., $\frac{3}{4}$ in., $\frac{7}{8}$ in., 1 in., $1\frac{1}{8}$ in., $1\frac{1}{4}$ in., $1\frac{3}{8}$ in., and $1\frac{1}{2}$ in. gauges |
| NOTE: When ordering No. 164517 gauge required must be stated. Unless otherwise specified No. 164517 will be furnished in $\frac{3}{4}$ in. gauge. | | |
| 164510 | 24873 | Presser Foot Hemming Guide Clamping Washer |
| 164194 | 24829 | Pressure Regulating Thumb Screw |
| 164252 | 2830 | Spreader |
| 164056 | 2830 | " Carrier with 50370e |

| No. | Plate | Name |
|----------|-------|--|
| 164742 | 2830 | Spreader Carrier Connection |
| 164596 | 2830 | " " " Guide Bar Oil Pad |
| 168215 | " | " " " " " Wick |
| 51015c | 2830 | " " " " " Plug Screw |
| 164597 | 2830 | " " " " " Bracket with two 462al |
| 914c | 2830 | " " " " " Screw (left) ... |
| 1057al | 2830 | " " " " " " " " " (right) ... |
| 462al | 2830 | " " " " " Set Screw |
| 164061 | 2830 | " " " " " Hinge Stud with 1019al |
| 1443j | 2830 | " " " " " Cap Screw |
| 164397 | 2830 | " " " " " Adjusting Pin |
| 1019al | 2830 | " " " " " " " " " " Set Screw |
| 132565 | 2830 | " " " " " Hinge Pin |
| 50370e | 2830 | " " " " " Set Screw |
| 164062 | 2830 | " " " " " Driving Lever with 1083c and two 140596al |
| 1083c | 2830 | " " " " " Clamping Screw |
| 164598 | — | " " " " " 164062 with 1443j, 1700j, 132565, 164056, 164061, 164068, 164397, 164597 and 164712 ... |
| 140596al | 2830 | Spreader Driving Lever Set Screw |
| 164063 | 2830 | " " " " " Shaft |
| 164049 | 2830 | " " " " " Bushing (back) |
| 140394c | 2830 | " " " " " (") Cap Screw |
| 164293 | 2830 | " " " " " (") " " " Washer (fibre) |
| 164738 | 2830 | " " " " " (front) |
| 164066 | 2830 | " " " " " Crank with 1083c |
| 1083c | 24829 | " " " " " Clamping Screw |
| 164052 | 24812 | " " " " " Connection with two each 171al and 140159al |
| 164216 | " | " " " " " 164066 with 164052 |
| 171al | 24812 | " " " " " Connection Cap (lower) Screw ... |
| 140159al | 24812 | " " " " " " " " (upper) Screw ... |
| 164067 | 2830 | " " " " " Key |
| 1324c | 2830 | " " " " " " " Screw |
| 45057 | 2830 | " " " " " " " " Washer |
| 164053 | 2830 | " " " " " Thrust Bearing |
| 164739 | 2830 | " " " " " Oil Ring (rubber) |
| 164740 | 2830 | " " " " " " " Spacer |
| 164068 | 2830 | " " " " " Locking Screw Stud |
| 1700j | 2830 | " " " " " Nut |
| 164219 | 2830 | " " " " " Position Collar with 904e |
| 904e | 2830 | " " " " " Set Screw |
| 2102 | 24872 | Tension (heavy) Disc |
| 164155 | 24872 | " (") Regulating Thumb Nut |
| 50133c | 24872 | " (") Screw Stud |

| No. | Plate | Name |
|--------|-------|--|
| 164156 | | Tension (heavy) Screw Stud 50133c with 164155 |
| 164161 | 24872 | " (") Spring |
| 59537 | 24872 | " (") " Bushing |
| 164158 | 24872 | " (") " Cover |
| 164162 | 24872 | Tension (heavy) complete, Nos. 59537, 164156, 164158, 164161 and two 2102 |
| 2102 | 24872 | Tension (light) Disc |
| 164155 | 24872 | " (") Regulating Thumb Nut |
| 50133c | 24872 | " (") Screw Stud |
| 164156 | " | " (") " " " 50133c with 164155 |
| 164157 | 24872 | " (") Spring |
| 59537 | 24872 | " (") " Bushing |
| 164158 | 24872 | " (") " Cover |
| 164160 | 24872 | Tension (light) complete, Nos. 59537, 164156, 164157, 164158 and two 2102 (2) |
| 164285 | 24872 | Tension (looper thread) Thread Guide (left) |
| 164286 | 24872 | " (" ") " " " (right) |
| 164159 | 24872 | " (needle thread) Thread Guide |
| 164418 | 24872 | " Thread Eyelet |
| 164167 | 24761 | Thread (looper) Plate with 624al |
| 164168 | 24761 | " (") " " Cover |
| 164206 | " | " (") " " 164168 with 164169 and 164170 ... |
| 164169 | 24761 | " (") " " Hinge |
| 164170 | 24761 | " (") " " " Pin |
| 164171 | 24761 | " (") " " " Spring |
| 332j | 24761 | " (") " " " Screw |
| 896al | 24761 | " (") " " Screw (2) |
| 164173 | 24761 | " (") " Thread Bushing |
| 50318w | 24761 | " (") " " " " Screw |
| 164174 | " | Thread (looper) Plate, complete, Nos. 1423j, 1443j, 1607j, 50318w, 164163 to 164167, 164173, 164206, two each 332j and 164171 ... |
| 164091 | 2830 | Thread (looper) Stripper and Take-up with 164555 |
| 164163 | 24761 | " (") " " " " Eyelet (adjustable) |
| 1443j | 24761 | " (") " " " " " " " " " Screw |
| 164555 | " | " (") " " " " Guide Wire |
| 487c | 2830 | " (") " " " " Screw |
| 17022 | 2830 | " (") " " " " " Washer |
| 164175 | 2830 | " (") Take-up |
| 164176 | 2830 | " (") " Plate |
| 190e | 2830 | " (") " " Screw (lower) |
| 1443j | 2830 | " (") " " " (upper) |
| 164161 | 24761 | " (") Thread Eyelet (movable) |
| 1423j | 24761 | " (") " " " Screw |
| 164165 | 24761 | " (") " " " (stationary) |
| 1607j | 24761 | " (") " " " (") Nut |

| No. | Plate | Name | | | | | |
|----------|-------|--------------------------|-----|-----|-----|-----|-----|
| 164166 | 24761 | Thread (looper) Tube | ... | ... | ... | ... | ... |
| 624al | 24761 | " (") " Set Screw | ... | ... | ... | ... | ... |
| 164381 | 2831 | " (needle) Controller | ... | ... | ... | ... | ... |
| 164153 | 2831 | " (") " Lever | ... | ... | ... | ... | ... |
| 1443j | 2831 | " (") " Screw (2) | ... | ... | ... | ... | ... |
| 164177 | 2831 | " Eyelet (needle thread) | ... | ... | ... | ... | ... |
| 140239al | 2831 | " " (" ") Set Screw | ... | ... | ... | ... | ... |
| 164358 | 24873 | Throat Plate | ... | ... | ... | ... | ... |
| 164591 | — | " " Guide with 853al | ... | ... | ... | ... | ... |
| 1454e | — | " " " Screw | ... | ... | ... | ... | ... |
| 1094f | 24873 | " " Screw (2) | ... | ... | ... | ... | ... |

SET OF FITTINGS, COMPLETE No. 164539

**For Light and Medium Weight Sweater Materials
For Two-thread Blind Hem Stitch
(Wire Hemming Fittings)**

NOTE: This machine is regularly fitted with Set No. 164539 unless other Fittings are specified on order.

| No. | Plate | Name | | | | | |
|------------------------|------------------|---|-----|-----|-----|-----|-----|
| 161347 | 2831 | Chain Cutter | ... | ... | ... | ... | ... |
| 51362al | 2831 | " " Screw (2) | ... | ... | ... | ... | ... |
| 164519 | — | Cloth Guide (swing-out) complete (for details see page 5) | ... | ... | ... | ... | ... |
| 160746 | 24877 | Edge Guide (floating) | ... | ... | ... | ... | ... |
| 160395 | — | " " (") Spring | ... | ... | ... | ... | ... |
| 904al | 24877 | " " (") " Screw | ... | ... | ... | ... | ... |
| 220j | 24877 | " " (") " Lock Screw | ... | ... | ... | ... | ... |
| 160747 | 24877 | " " (fixed) | ... | ... | ... | ... | ... |
| 240j | 24877 | " " (") Screw... | ... | ... | ... | ... | ... |
| 50589k | 24877 | " " Adjusting Screw | ... | ... | ... | ... | ... |
| 160398 | 24877 | " " Bracket with 220j and 904al | ... | ... | ... | ... | ... |
| 160399 | 24877 | " " Support and Throat Plate Guide with 853al | ... | ... | ... | ... | ... |
| 1454e | — | " " " " " " " Screw | ... | ... | ... | ... | ... |
| 160749 | 24877 | Edge Guide (floating) complete, Nos. 208j, 240j, 50589k, 160395, 160398, 160399, 160746, 160747 and 164519 | ... | ... | ... | ... | ... |
| 164496 | 24874 | Feed (back) Dog, complete (for details see page 6) | ... | ... | ... | ... | ... |
| 164497 | 24874 | Feed (front) Dog | ... | ... | ... | ... | ... |
| 4550-101020 | 24874 | Knife (movable)... | ... | ... | ... | ... | ... |
| 164350 | 24874 | Presser Bar (swing-out) | ... | ... | ... | ... | ... |
| 164511 | 24874 | Presser Foot (hinged) complete (for details see page 11) | ... | ... | ... | ... | ... |
| 164517 | 24874 | " " Hemming Guide | ... | ... | ... | ... | ... |
| 164510 | 24874 | " " " " Clamping Washer | ... | ... | ... | ... | ... |
| 164252 | 24874 | Spreader | ... | ... | ... | ... | ... |
| 164091 | 24874 | Thread (looper) Stripper and Take-up with 164555 | ... | ... | ... | ... | ... |
| 164175 | 24874 | " (") Take-up | ... | ... | ... | ... | ... |
| 164381 | 24874 | " (needle) Controller | ... | ... | ... | ... | ... |
| 164358 | 24874 | Throat Plate | ... | ... | ... | ... | ... |
| 164539 | 24874 | Set of Fittings, complete, Nos. 160749, 164020 ¹⁶⁴⁵⁵⁰ , 164091, 164175, 164252, 164347, 164350, 164358, 164381, 164496, 164497, 164511 and 164517 | ... | ... | ... | ... | ... |

ACCESSORIES

| No. | Plate | Name |
|---------|-------|---|
| 164203 | 2760 | Feed Eccentric Extractor (not regularly furnished with machine) |
| 164592 | 2760 | Gauge (not regularly furnished with machine) |
| 151 x 5 | | Needles, size 11 (6) |
| 120342 | 2760 | Oiler |
| 164198 | 2760 | Presser Bar Lifting Chain Spring (under table) |
| 85318 | 2760 | Screw Driver |
| 164196 | 2760 | Threader (6) |
| | | Tin of Oil, Grade "A" (1 Pint) |
| 164204 | 2760 | Tweezers |
| 164197 | 2760 | Wrench (socket) |
| 8909 | 2760 | " (flat) |

BELT GUARD (adjustable)

| No. | Plate | Name |
|--------|-------|---|
| 164183 | 24866 | Belt Guard |
| 164199 | 24866 | " " Bracket (back) |
| 164200 | 24866 | " " " (front) |
| 51326j | 24866 | " " Screw |
| 164201 | 24866 | Belt Guard (adjustable) complete, Nos. 164183, 164199, 164200, two each 51326j and wood screws $\frac{3}{4}$ in. No. 7 F.H. |

Blind Stitch Hemming Attachment (flip-up type)

Complete, No. 160381 For General Work

| No. | Plate | Name |
|--------|-------|---|
| 160376 | 24877 | Folder |
| 160377 | 24877 | " Hinge |
| 160378 | 24877 | " " Bracket with 904al |
| 59480 | 24877 | " " Pin |
| 904al | 24877 | " " " Set Screw |
| 160574 | | Folder Holder, complete, Nos. 335j, 1628K, 59480, 160377, 160378, 160379 and 160380 |
| 160379 | 24877 | Folder Screw Stud |
| 1628k | 24877 | " " " Nut |
| 160380 | 24877 | " Stop Plate |
| 335j | 24877 | " " " Screw |
| 160381 | 24877 | Blind Stitch Hemming Attachment, complete, Nos. 160376 and 160574 |

Blind Stitch Hemming Attachment (yielding type)

Complete, No. 160384 For Tubular Work

| No. | Plate | Name |
|--------|-------|---|
| 160385 | 24877 | Folder |
| 160383 | 24877 | " Bracket |
| 160575 | | Folder Holder, complete, Nos. 3146, 50388j and 160383 |
| 50388j | 24877 | Folder Screw |
| 3146 | 24877 | " " Washer |
| 160384 | 24877 | Blind Stitch Hemming Attachment, complete, Nos. 160385 and 160575 |

Blind Stitch Hemming Attachment (latch type)

Complete, No. 160392 For Open End Work

| No. | Plate | Name |
|--------|-------|---|
| 160382 | 2849 | Folder |
| 160386 | 2849 | " Hinge |
| 160387 | 2849 | " " Bracket with 468c |
| 59480 | 2849 | " " Pin |
| 468c | 2849 | " " " Set Screw |
| 160388 | 2849 | " " Plunger |
| 160389 | 2849 | " " " Spring |
| 160576 | | Folder Holder, complete, Nos. 202j, 973j, 1772c, 3146, 50388j, 59480, 160386, 160387, 160388, 160390, 160391 and three 160389 |
| 160390 | 2849 | Folder Latch |
| 160391 | 2849 | " " Guide Bracket |
| 202j | 2849 | " " " " Screw |
| 973j | 2849 | " " Hinge Screw |
| 1772c | 2849 | " " " " Nut |
| 160389 | 2849 | " " " Spring (2) |
| 50388j | 2849 | " Screw |
| 3146 | 2849 | " " Washer |
| 160392 | 2849 | Blind Stitch Hemming Attachment, complete, Nos. 160382 and 160576 |

Blind Stitch Hemming Attachment Support, complete

| No. | Plate | Name |
|---------|-------|--|
| 164234 | 24877 | Adjusting Slide (cylindrical) |
| 164235 | 24877 | Hinge Bracket |
| 140458c | 24877 | " " Thumb Screw |
| 164236 | 24877 | Support |
| 140456c | 24877 | " Adjusting Thumb Screw |
| 140457j | 24877 | " " " Locking Screw |
| 164238 | 24877 | " Cap |
| 164237 | 24877 | Blind Stitch Hemming Attachment Support, complete, Nos. 140456k, 140457j, 140458c, 164234 to 164236 and 164238 ... |

CHIP CHUTE

(supplied only when specified on order)

| No. | Plate | Name |
|--------|-------|---|
| 168198 | 24866 | Chip Chute with four wood screws $\frac{3}{8}$ in. No. 6 R.H. blacked ... |

FOOT LIFTER PARTS

| No. | Plate | Name |
|------|-------|---|
| 6439 | 24866 | Chain, 36 in. to 45 in. with 56864 and 56865 |

NOTE.—When ordering No. 6439, give length required.

| | | |
|-------|-------|---|
| 4879 | 24866 | Chain Connecting Link |
| 56864 | 24866 | " Hook (large) |
| 56865 | 24866 | " " (small) |
| 4881 | 24866 | Treadle |
| 4882 | 24866 | " Shaft |
| 4883 | — | " Spring |
| 4884 | 24866 | " Stand |
| 4885 | 24866 | Treadle, complete, Nos. 4879, 4881 to 4884 and two wood screws 1 in. No. 16 F.H. |

NOTE.—The stands recommended for machines of Class 216K include a suitable treadle. If machine is fitted on a stand or other equipment which does not include a foot lifter treadle, orders should state that No. 4885 is to be supplied and it will be furnished without extra charge.

MACHINE BASE

| No. | Plate | Name |
|---------|-------|---|
| 164184 | 24866 | Machine Base with two each wood screws $\frac{3}{8}$ in. No. 8 R.H. and 1 $\frac{1}{2}$ in. No. 6 F.H. |
| 164188 | 24866 | Machine Cushion (large) (2) |
| 164189 | 24866 | " " (small) (2) |
| 164190 | 24866 | " Pad (felt) |
| 140418c | 24812 | " Screw Stud (back) |
| 657c | 24812 | " " " (front) |

THREAD UNWINDER No. 151031

For Three Spools

| No. | Plate | Name |
|---------|-------|--|
| 228692 | — | Spool Pin |
| 201528x | — | " " Nut |
| 359243 | — | " " Washer |
| 151023 | 24764 | " Rest with 858al, three each 201528x, 298692 and 359243 |
| 150203 | 24764 | " " Cushion (felt) |
| 858al | 24764 | " " Hub Set Screw |
| 151024 | 24764 | " " Rod |
| 1122c | 24764 | " " " Set Screw |
| 151025 | 24764 | " " Stand with two 1122c and three wood screws 1 in. No. 12 F.H. |
| 151026 | 24764 | Thread Guide (lower) |
| 50311c | 24764 | " " (") Holder Set Screw |
| 151027 | 24764 | " " (") Support with 50311c |
| 151028 | 24764 | " " (upper) |
| 151029 | 24764 | " " (") Holder with four 453al |
| 151030 | 24764 | " " Rod |
| 453al | 24764 | " " " Set Screw |
| 453al | 24764 | " " " Set Screw (3) |
| 151031 | 24764 | Thread Unwinder, complete, Nos. 151023 to 151027, 151029, 151030, two 151028 and three 150203 |

85318



164197



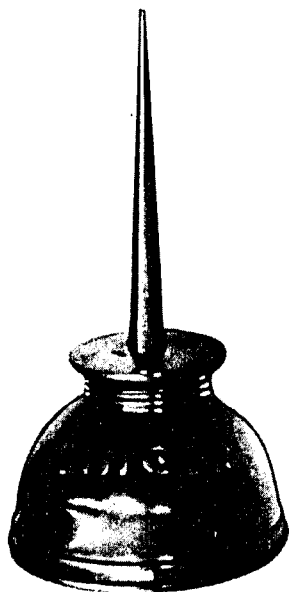
8909



164196 164198



120342



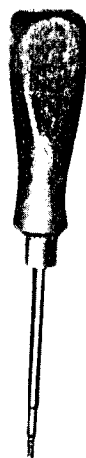
164592

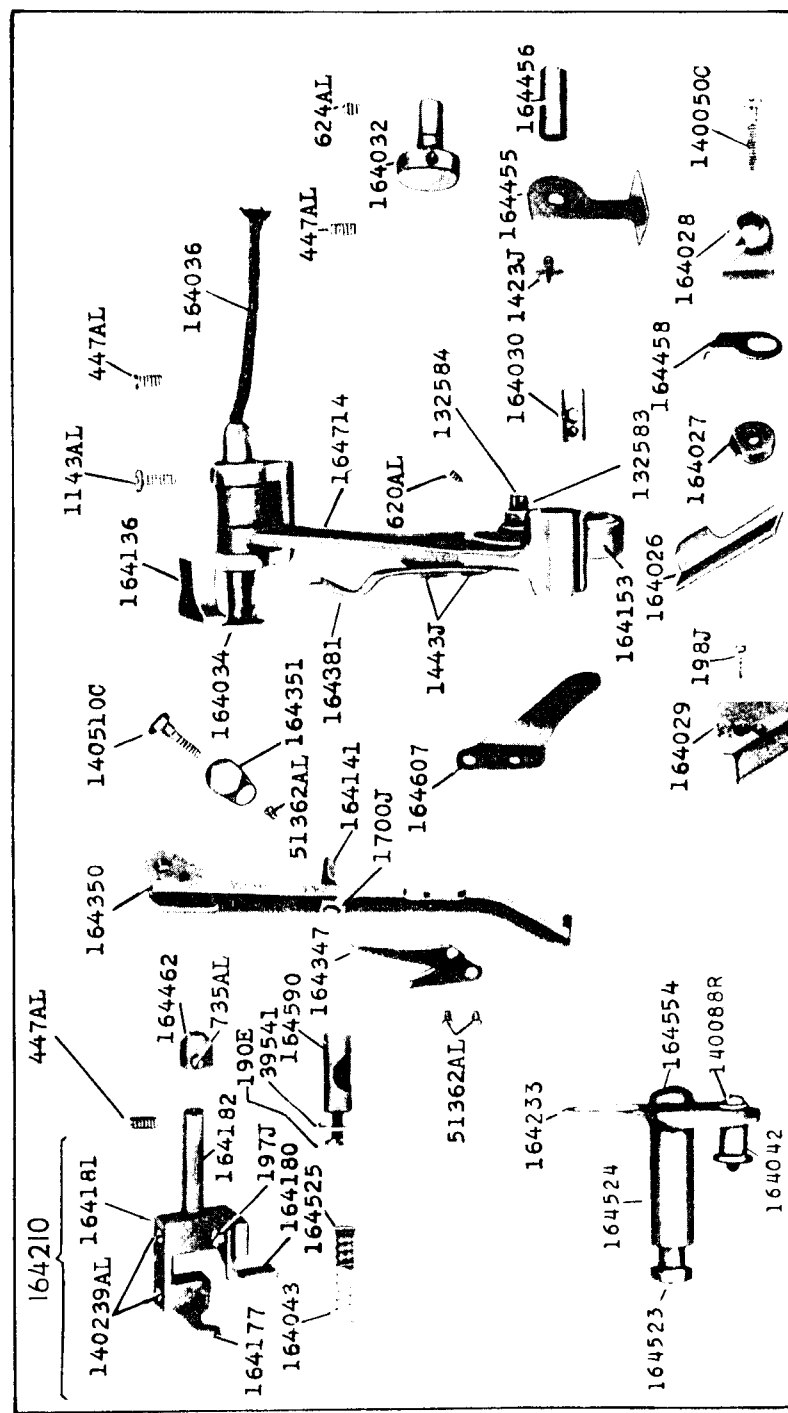
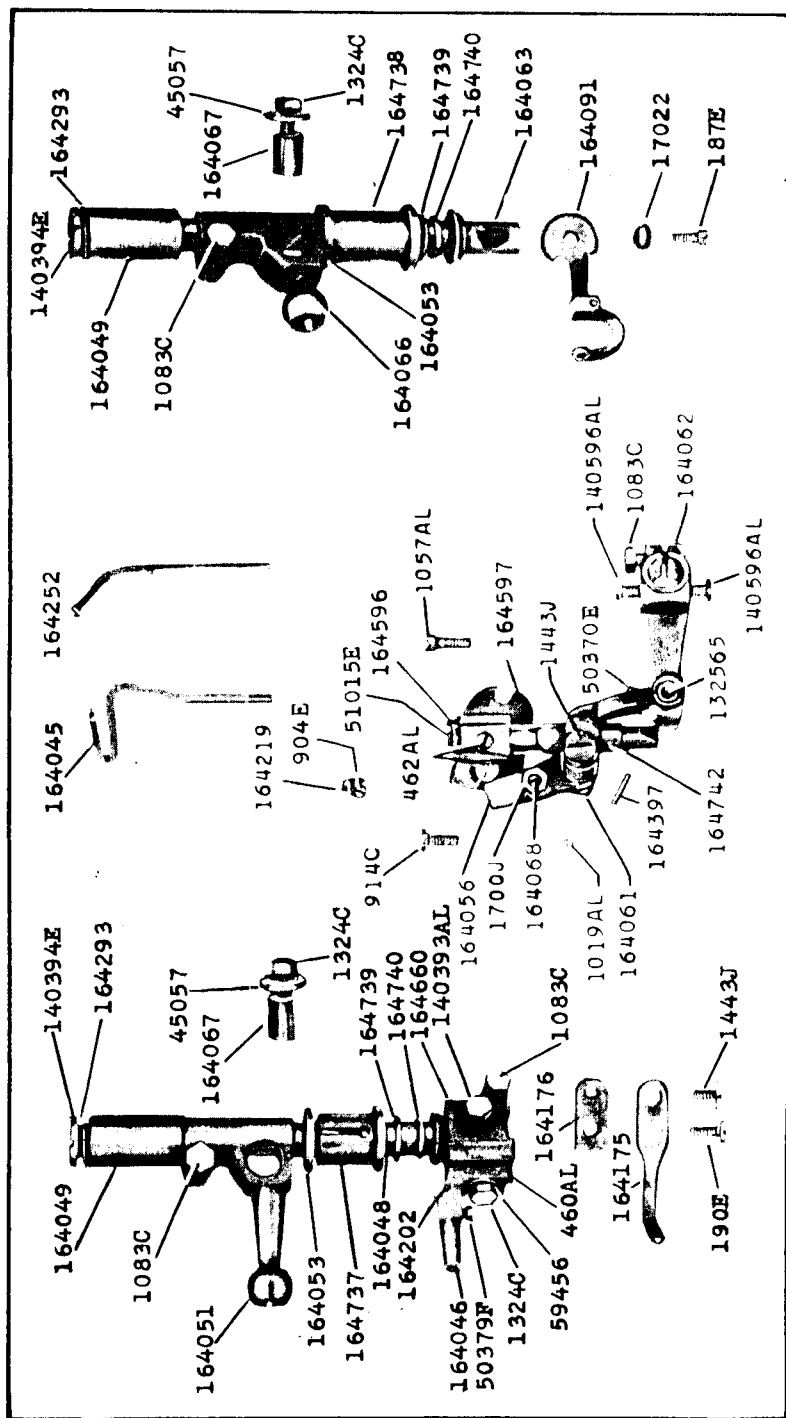


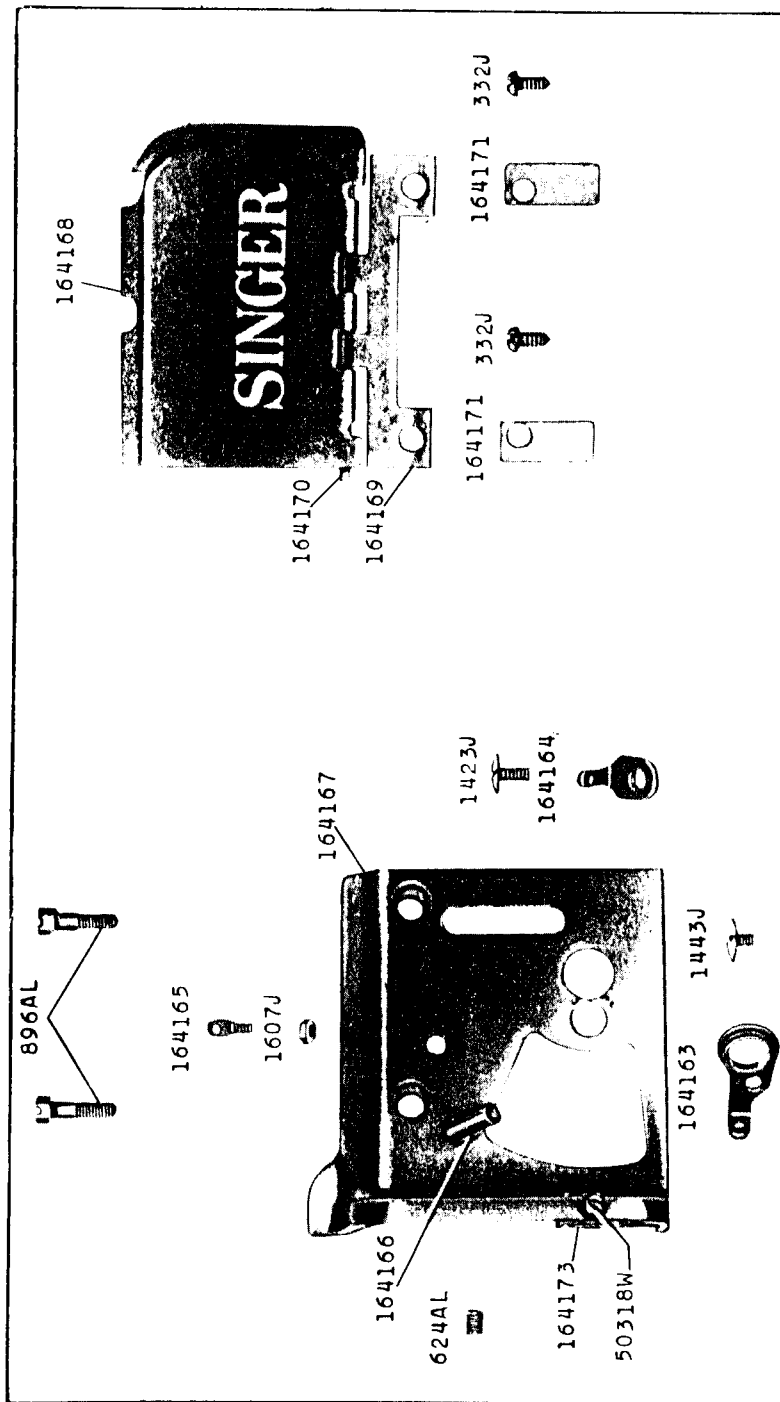
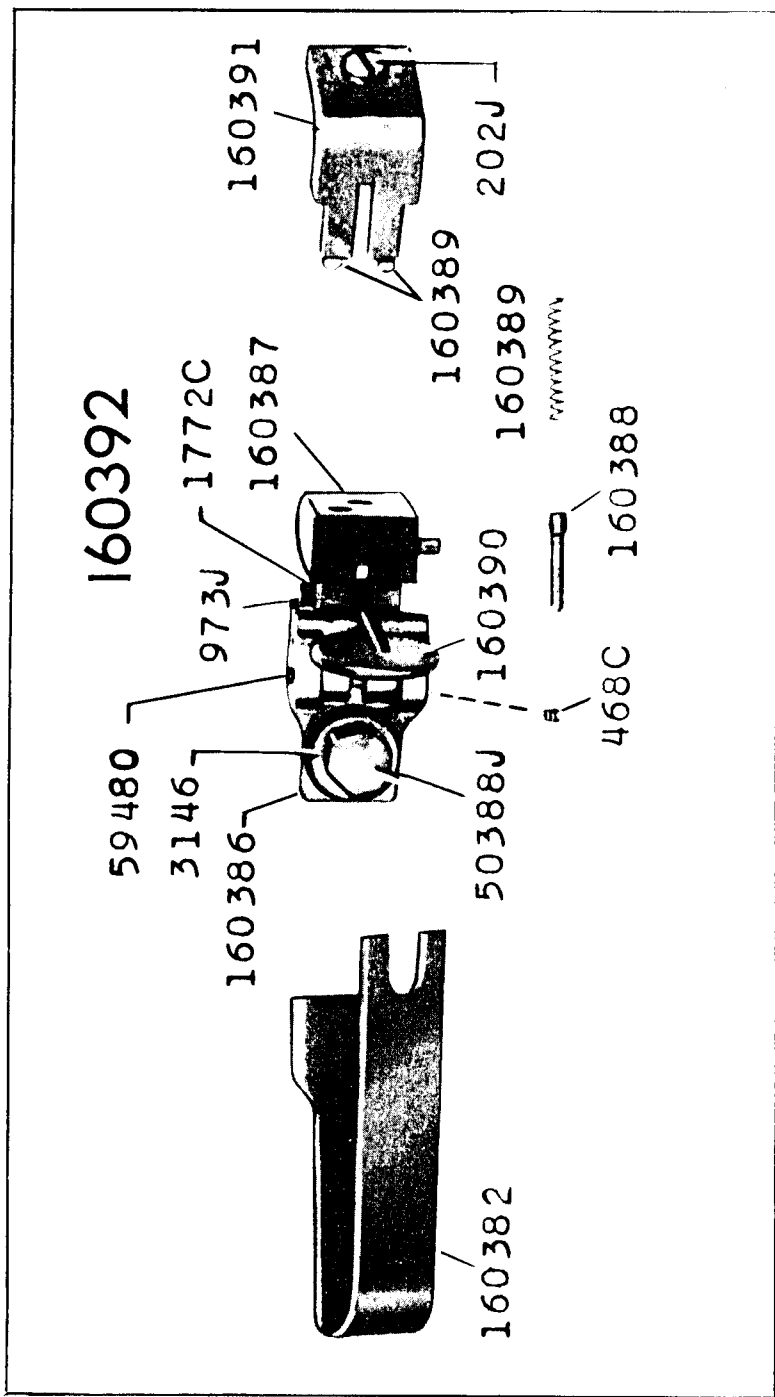
164204

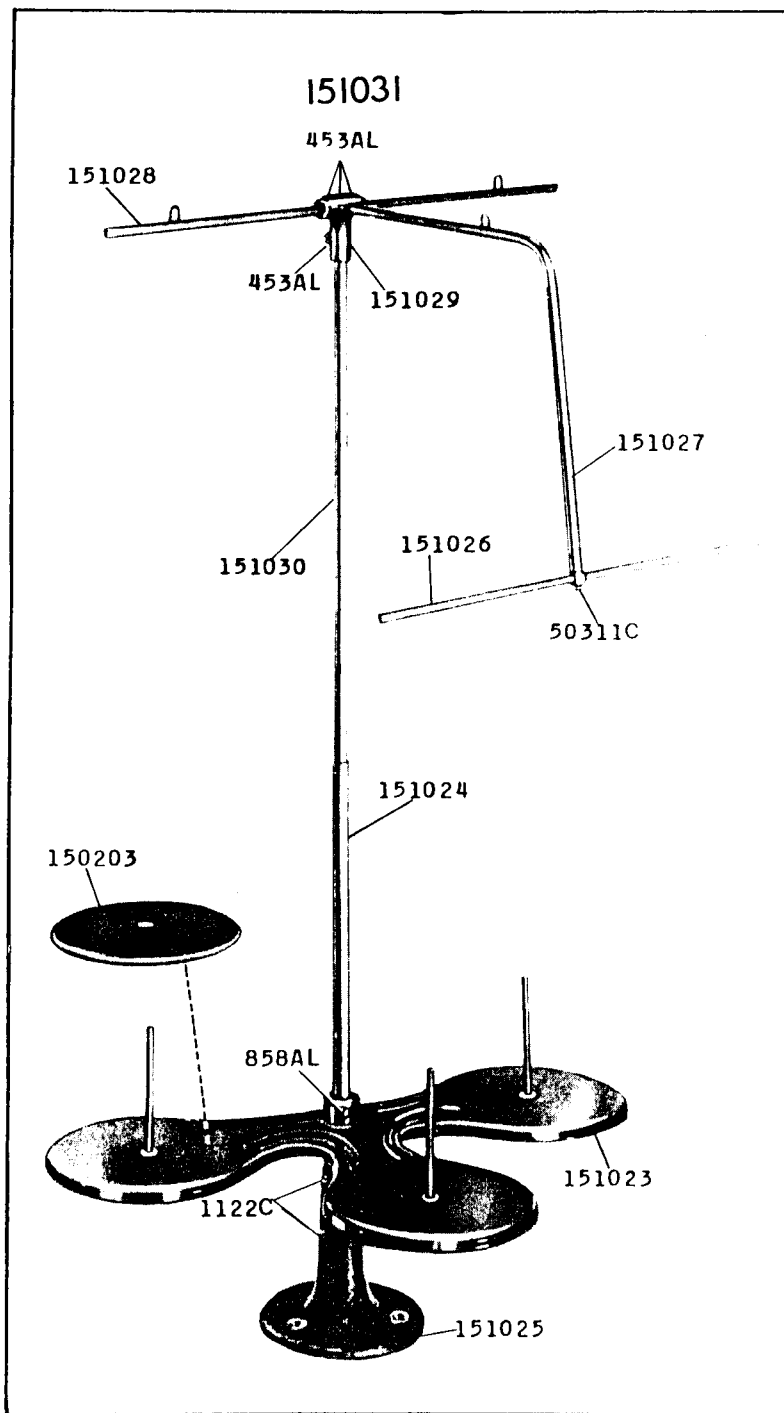


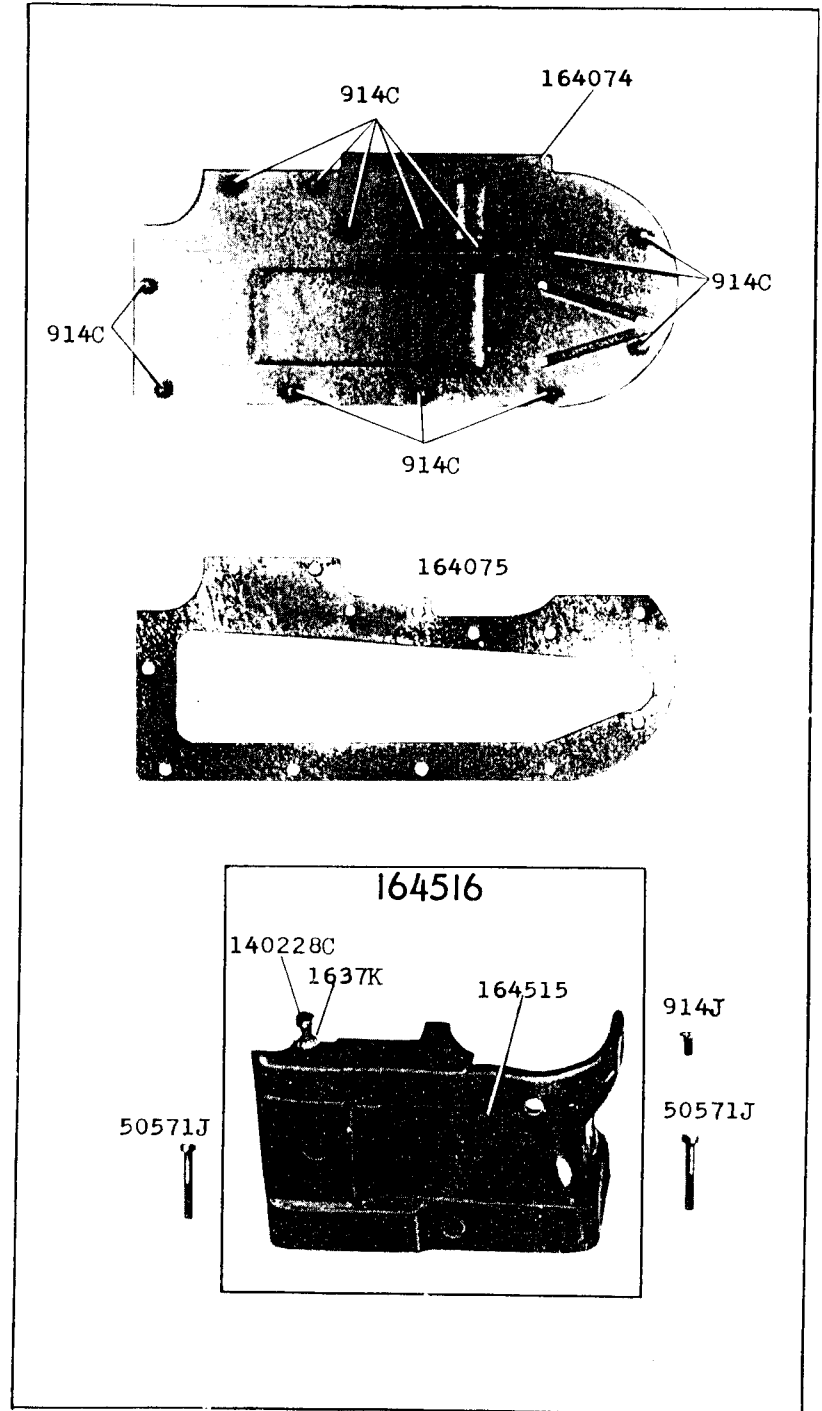
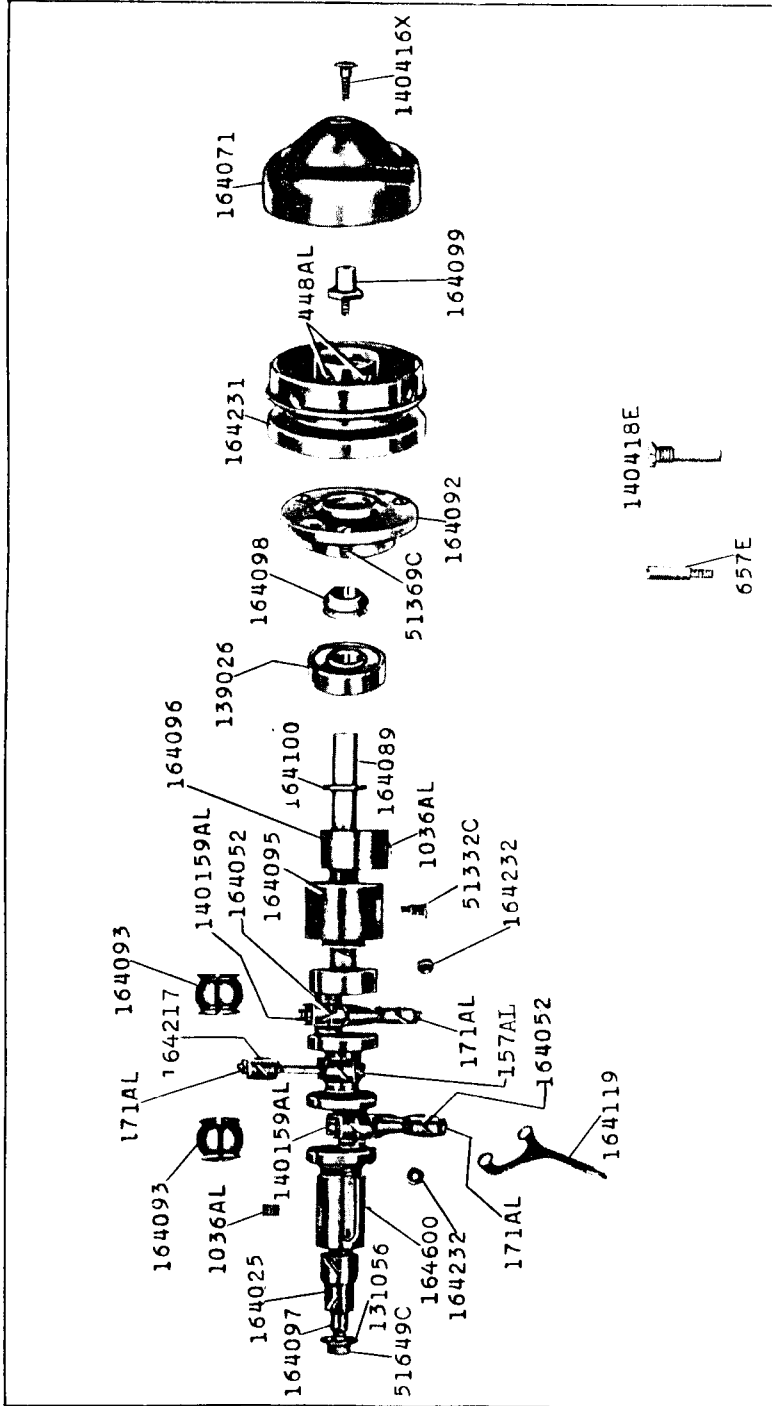
164203

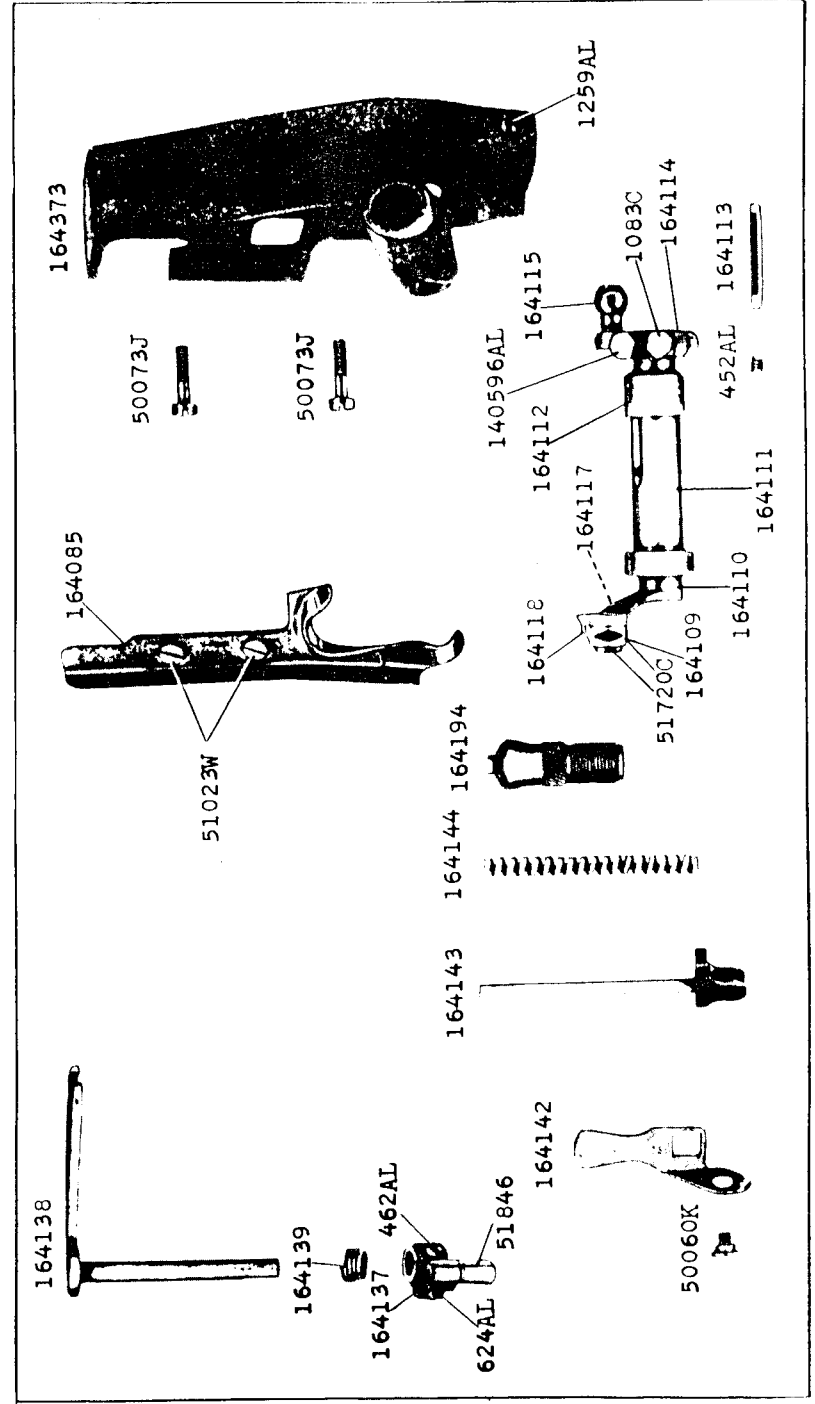
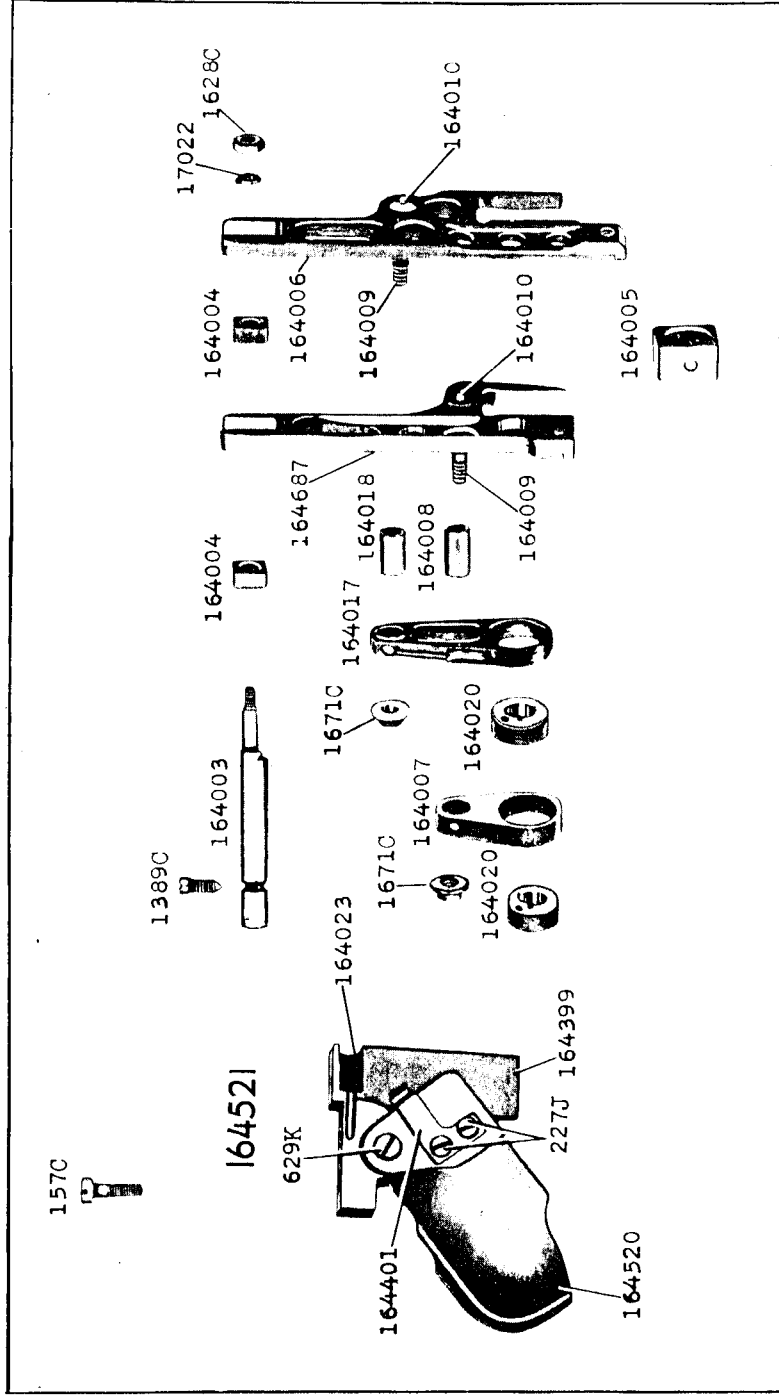


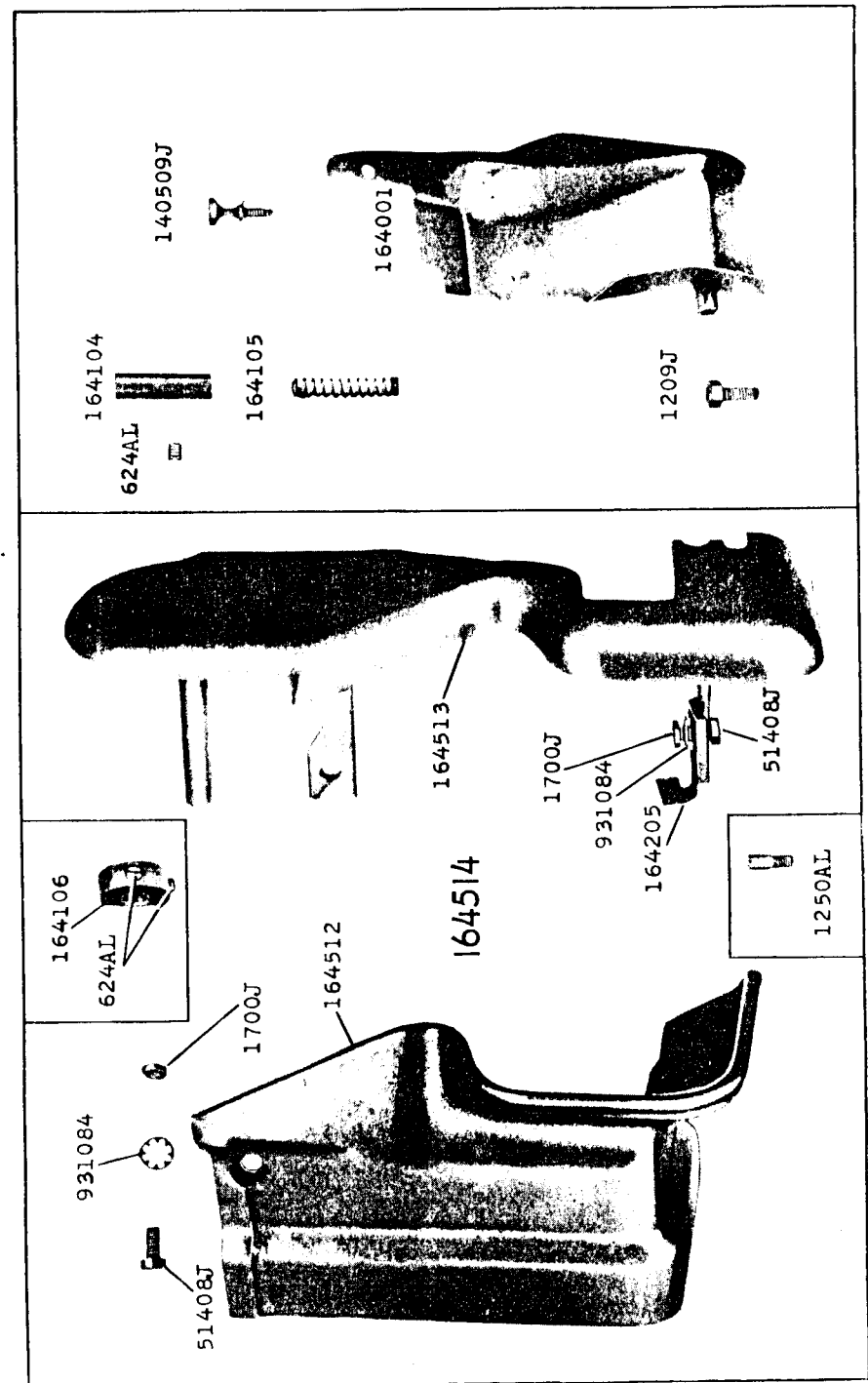
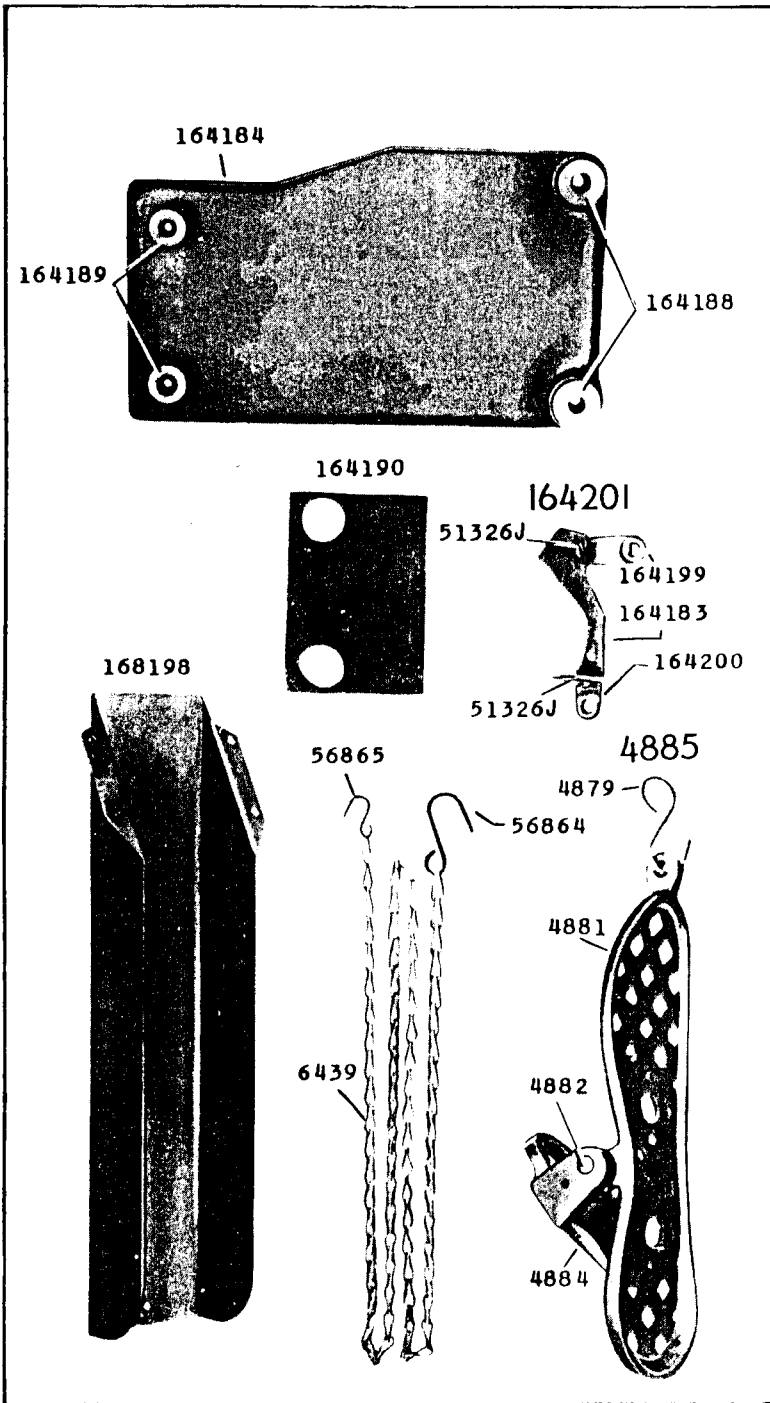


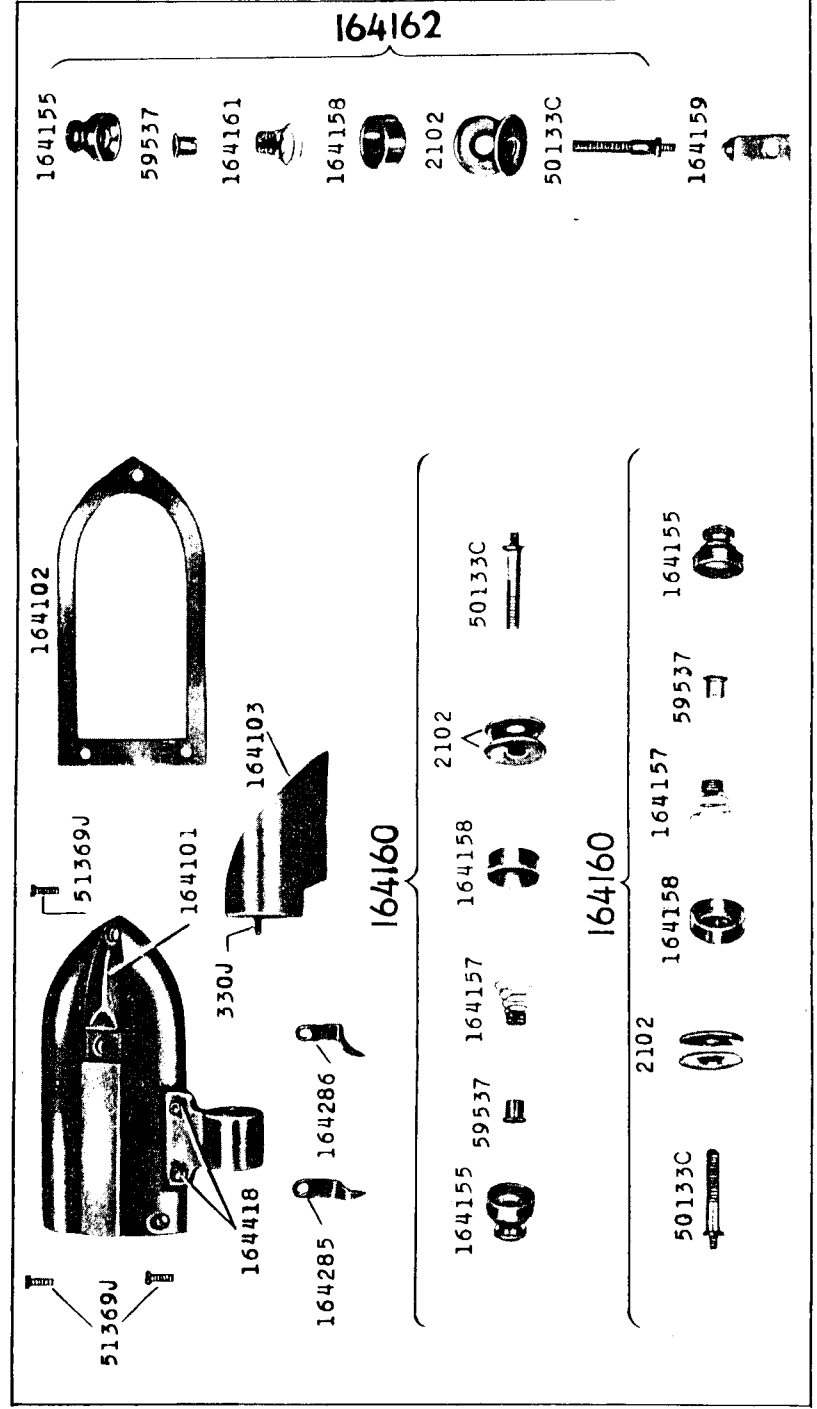
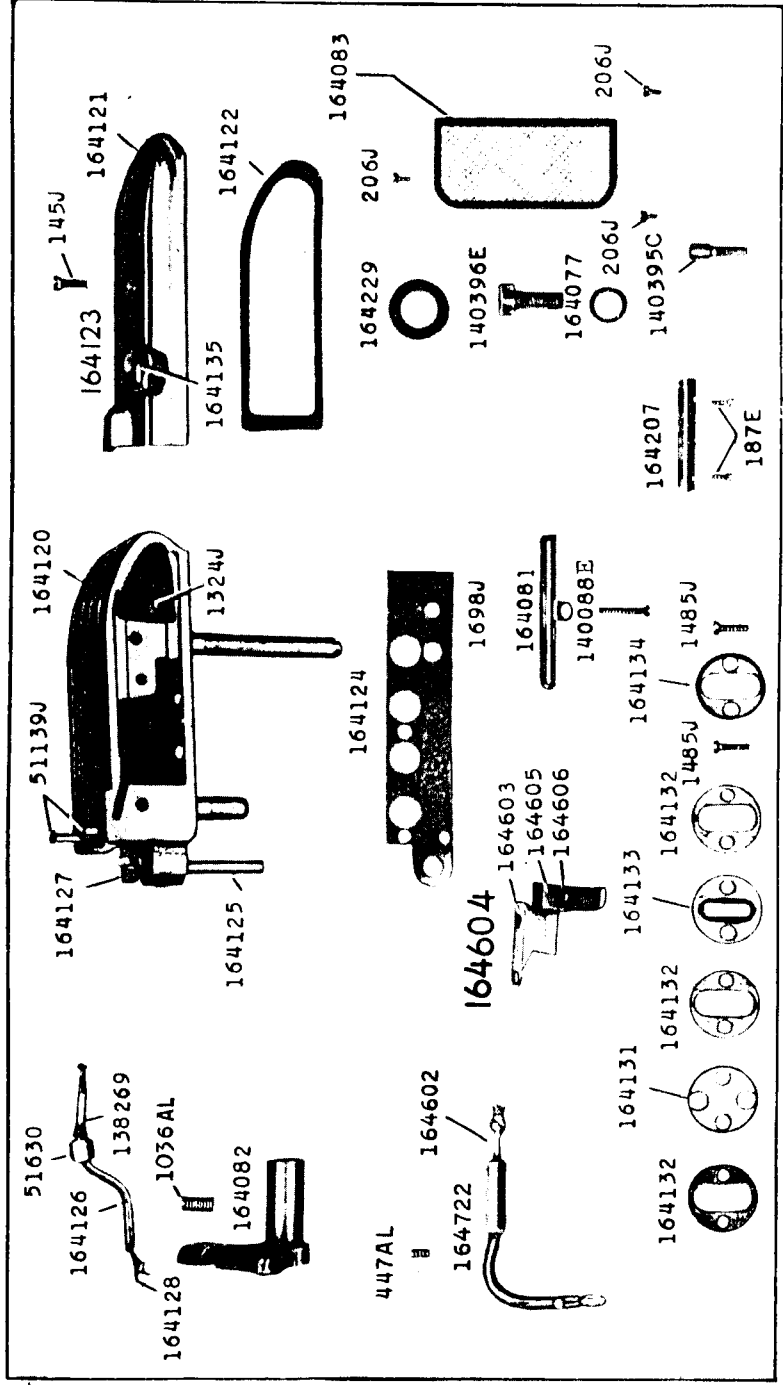


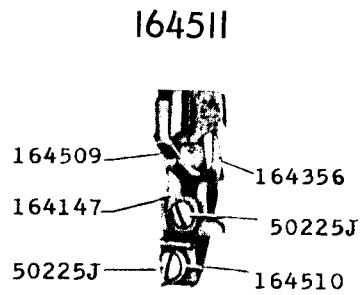
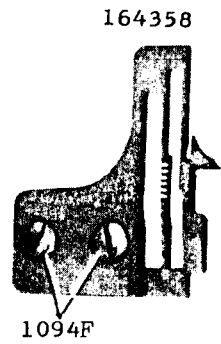
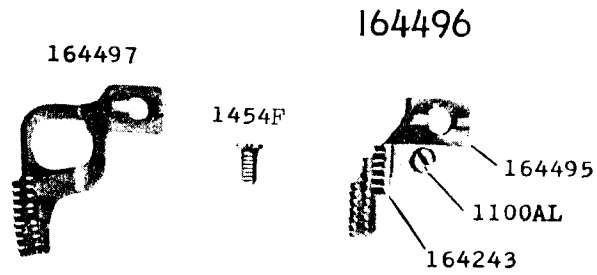




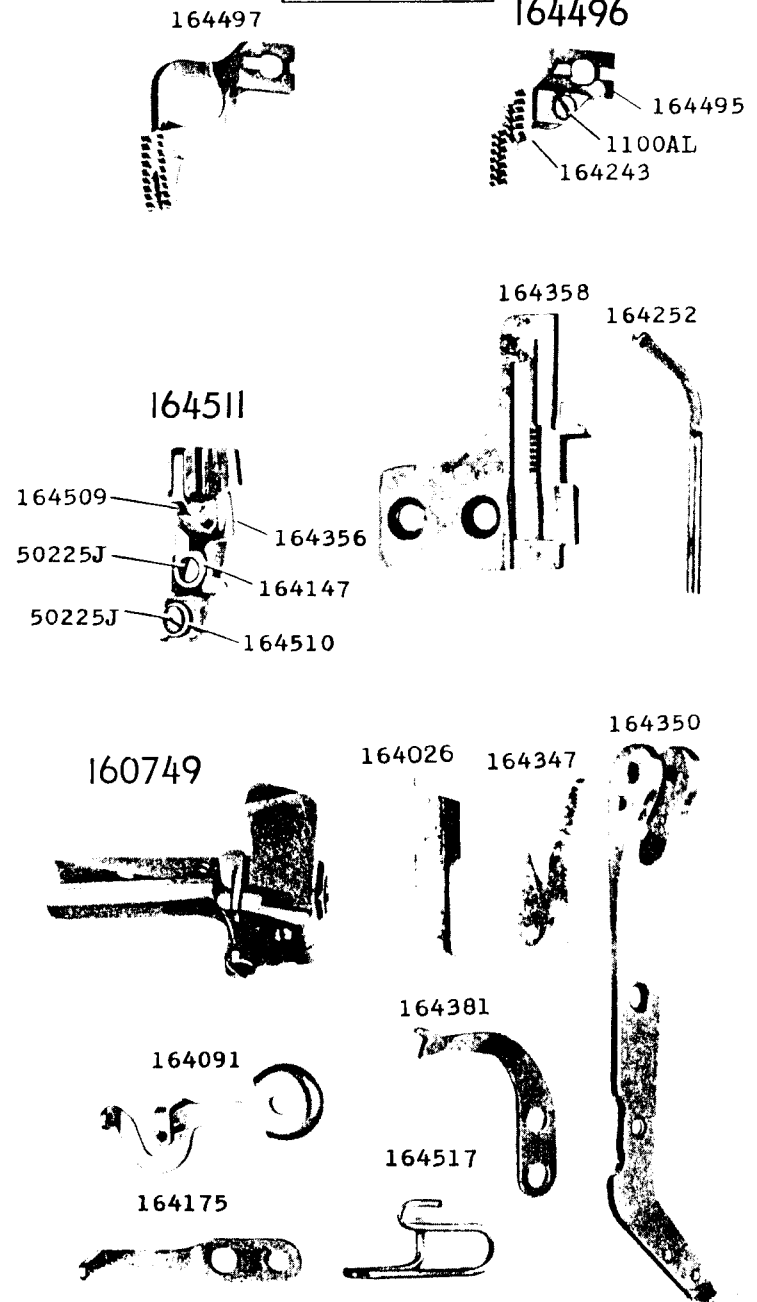




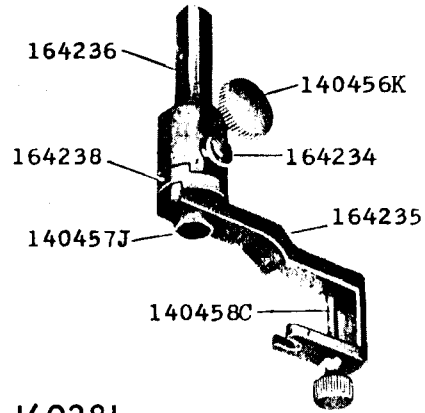




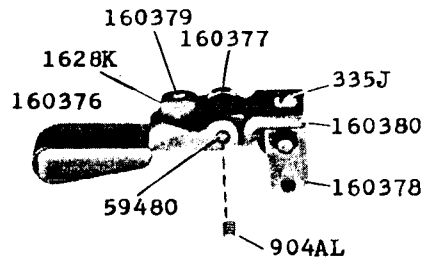
164539



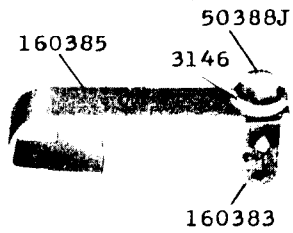
164237



160381



160384



160749

