

SINGER
509W1

LIST OF PARTS



MACHINE No. 509w1

INDEX

	PAGE
ACCESSORIES	15
FEED GEARS	15
FEED ROLLS	16
MACHINE No. 509w1	7
NUMERICAL LIST OF PARTS	17
OBSELETE PARTS	16

THE SINGER MANUFACTURING COMPANY

Instructions for Ordering

In ordering from this list, use **ONLY** the **PART** number in the **FIRST** column.

The number stamped on a Sewing Machine Part is the number of the Single Part only, except when the part includes Set Screws, Clamping Screws, Studs and Rollers Spun on, Small Wires riveted, or Parts soldered together, etc., which it is necessary to furnish in combination.

Every combination of parts sent out has its specific number which, although not stamped on Parts (except in above cases) must be used when ordering the combination.

Each number always indicates the **SAME PART** in whatever list it appears, or for whatever Machine.

The letters after some of the numbers indicate the style of finish only, as follows:

- A. Hardened, Polished and Plated.
- B. Polished and Plated.
- C. Hardened only.
- D. Polished only.
- E. Soft, not polished.
- F. Hardened and Polished.
- H. Blued.

These letters **MUST BE USED** when they appear in the list and **AFTER** the number, as in the list.

In this series

- 200001 to 201500 are Screw Numbers.
- 201501 to 201800 are Nut Numbers.
- 201801 to 202000 are Roller Numbers.
- 202001 and upward are numbers of Machine Parts.

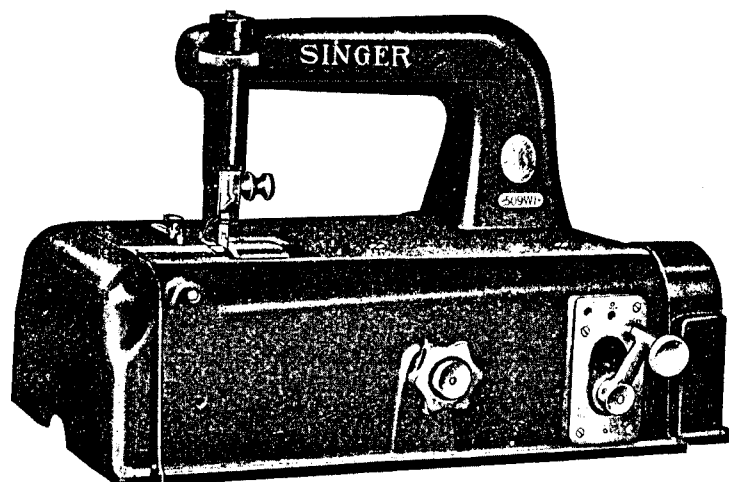
The figures in the second column refer only to the plate in which the illustration of the part is shown and are **NOT TO BE USED** in ordering.

Two or more numbers over a cut indicate that the difference between such parts is not visible in an illustration.

Parts marked with an asterisk (*) are furnished only when repairs are made at the factory.

LIST OF PARTS COMPLETE

FOR



MACHINE No. 509w1

For Skiving Leather

No.	Plate	Name
*261299	—	Arm
204235	14926	" Position Pin (2)
200004E	14926	" Screw (4)
*261300	—	Bed
261301	—	" End Cover with two 232866 ..
232866	14926	" " " Pin
201011B	14926	" Oil Stop Screw
200160B	14926	" " "
261201	14927	" Slide
261303	14927	Chip Ejector
261304	14926	" " Hub with 232310
201524E	14926	" " Lock Nut
232310	14926	" " Position Pin
350063D	14926	" " Screw
261305	14928	" " Shaft
261320	—	Drip Pan
201048B	14926	" " Thumb Screw (2)
261203	14927	Driving Pulley with 200335c and 200338c
261204	14927	Driving Pulley Guard
200558H	14926	" " " Screw (3)
200338c	14926	" " Position Screw

No.	Plate	Name
200335c	14926	Driving Pulley Set Screw
261205	14927	" Shaft
261206	14927	" " Ball Bearing (back)..
261207	14927	" " " " (front)..
261208	14927	" " " " Washer (2)
261209	14927	" " Gear with 200383c and 200398c
261331	14926	Driving Shaft Gear Oil Tube (brass)
200398c	14926	Driving Shaft Gear Position Screw
200383c	14926	" " " Set Screw
261330	14926	" " Oil Tube (brass) (long)
261331	14926	Driving Shaft Oil Tube (brass) (short)
261211	14928	Dust Shield
200540E	14926	" " Screw
261212	14929	Emery Wheel
261213	14929	" " Adjusting Crank with two 200378c
261214	14926	Emery Wheel Adjusting Crank Link
200913D	14926	" " " " " " Hinge Screw
201539E	14926	Emery Wheel Adjusting Crank Link Hinge Screw Nut
261316	14926	Emery Wheel Adjusting Crank Link Hinge Stud with 202302
202302	14926	Emery Wheel Adjusting Crank Link Hinge Stud Cotter Pin
200378c	14926	Emery Wheel Adjusting Crank Set Screw
350062E	14926	Emery Wheel Adjusting Screw Stud
261215	14926	Emery Wheel Adjusting Screw Stud Extension
201520H	14926	Emery Wheel Adjusting Screw Stud Nut
261216	14926	Emery Wheel Adjusting Screw Stud Spring
201685B	14937	Emery Wheel Adjusting Thumb Nut
261217	14926	Emery Wheel Adjusting Thumb Nut Washer
261218	14930	Emery Wheel Bushing
261219	14928	" " Driving Shaft
204246	14930	" " " " Collar with two 200383c (2)
200383c	14926	Emery Wheel Driving Shaft Collar Set Screw

No.	Plate	Name
261220	14930	Emery Wheel Driving Shaft Gear with 200378c and 201220c
201220c	14930	Emery Wheel Driving Shaft Gear Position Screw
200378c	14926	Emery Wheel Driving Shaft Gear Set Screw
261221	14929	Emery Wheel Driving Shaft (inter- mediate)
261222	14929	Emery Wheel Driving Shaft (inter- mediate) Bracket
200025c	14930	Emery Wheel Driving Shaft (inter- mediate) Bracket Screw (4) ..
261223	14930	Emery Wheel Driving Shaft (inter- mediate) Gear (lower) with two 200378c
200378c	14926	Emery Wheel Driving Shaft (inter- mediate) Gear (lower) Set Screw
261224	14930	Emery Wheel Driving Shaft (inter- mediate) Gear (upper) with two 200382c
200382c	14930	Emery Wheel Driving Shaft (inter- mediate) Gear (upper) Set Screw
261225	14930	Emery Wheel Shaft
261226	14930	" " " Bushing
202423	—	" " " " Oil Pack- ing (wick)
200354c	14930	Emery Wheel Shaft Bushing Set Screw
223868	14930	Emery Wheel Shaft Gear with two 201142c (2)
261227	14928	Emery Wheel Shaft Gear Housing with 200354c
261228	14929	Emery Wheel Shaft Gear Housing Cap
200110D	14930	Emery Wheel Shaft Gear Housing Cap Screw (3)
261328	14930	Emery Wheel Shaft Gear Housing Oil Cup
201142c	14930	Emery Wheel Shaft Gear Set Screw
201687c	14930	" " " Nut
261325	14930	" " Washer (paper)
261326	14930	" " " (steel)
261231	14928	Feed Carrier Frame
350050D	14931	" " " Adjusting Thumb Screw
201688E	14931	Feed Carrier Frame Adjusting Thumb Screw Lock Nut
202305	14931	Feed Carrier Frame Center (2) ..
200335c	14926	" " " " Set Screw (2)

No.	Plate	Name
261233	14928	Feed Driving Shaft
261333	14931	" " " Bevel Gear with two 200383c
200383c	14926	Feed Driving Shaft Bevel Gear Set Screw
261327	14929	Feed Driving Shaft Bushing
200356c	14931	" " " " Set Screw
204246	14930	Feed Driving Shaft Collar with two 200383c (2)
200383c	14926	Feed Driving Shaft Collar Set Screw
261234	14929	Feed Driving Triple Gear
231433	14931	" " " " Key
261236	—	" " " " Shifting Fork
261324	14929	Feed Driving Triple Gear Shifting Fork 261236 with 205510 and 261321
261321	—	Feed Driving Triple Gear Shifting Fork Bracket
261237	14929	Feed Driving Triple Gear Shifting Fork Bracket Shaft
200347c	14931	Feed Driving Triple Gear Shifting Fork Bracket Shaft Set Screw..
205510	14931	Feed Driving Triple Gear Shifting Fork Position Pin
261238	14929	Feed Driving Worm
261239	14932	" " " Bracket with 200362c
202423	—	Feed Driving Worm Bracket Oil Packing (wick)
201347c	14931	Feed Driving Worm Bracket Stop Screw
200382c	14930	Feed Driving Worm Bracket Stop Screw Lock Screw
261240	14931	Feed Driving Worm Bushing
200362c	14931	" " " " Set Screw
261224	14930	" " " Driving Gear with two 200382c
200382c	14930	Feed Driving Worm Driving Gear Set Screw
261331	14926	Feed Driving Worm Oil Tube (brass)
261241	14931	Feed Regulating Fork Lever with 200070c
200070c	14931	Feed Regulating Fork Lever Set Screw
261242	14932	Feed Regulating Index Plate

No.	Plate	Name
210983	14931	Feed Regulating Index Plate Posi- tion Pin
200157B	14931	Feed Regulating Index Plate Screw (4)
261243	14931	Feed Regulating Lever with 443c..
261244	14931	" " " Lock Pin
261246	14931	" " " " " " Spring
201689B	14931	Feed Regulating Lever Lock Pin Thumb Nut
443c	14931	Feed Regulating Lever Set Screw
261247	14932	" " " Shaft
261318	14931	" " " " Bushing
261248	14932	" Roll (fine)
261251	14934	" " Bevel Gear Shaft
261252	14932	" " " " Guard
200136D	14934	" " " " " Screw
261253	14932	" " Bracket with 200397H and four 200089e
350052D	14934	Feed Roll Bracket Adjusting Thumb Screw
200397H	14934	Feed Roll Bracket Adjusting Thumb Screw Set Screw
202622	14934	Feed Roll Bracket Adjusting Thumb Screw Washer
200089e	14934	Feed Roll Bracket Cap Screw ...
261254	14934	Feed Roll Driving Bevel Gear with 200383c and 200398c (3)
261332	14934	Feed Roll Driving Bevel Gear Fric- tion Washer
261306	14932	Feed Roll Driving Bevel Gear Guard (upper)
200136D	14934	Feed Roll Driving Bevel Gear Guard (upper) Screw
200398c	14926	Feed Roll Driving Bevel Gear Posi- tion Screw
200383c	14926	Feed Roll Driving Bevel Gear Set Screw
261339	14934	Feed Roll Driving Bevel Gear Thrust Washer
261255	14934	Feed Roll Driving Gear Shaft
261256	14934	" " " Universal Connec- tion
261257	14934	Feed Roll Driving Universal Coup- ling (lower)
261340	14932	Feed Roll Driving Universal Coup- ling (lower) Bracket
261341	14938	Feed Roll Driving Universal Coup- ling (lower) Bracket Cap (2) ..

No.	Plate	Name
200122D	14934	Feed Roll Driving Universal Coupling (lower) Bracket Cap Screw (2)
232541	14934	Feed Roll Driving Universal Coupling (lower) Bracket Position Pin (2)
200923E	14934	Feed Roll Driving Universal Coupling (lower) Bracket Screw (2)
261258	14934	Feed Roll Driving Universal Coupling (upper)
261310	14934	Feed Roll Key
261259	14934	" " Stripper Plate
261260	14934	" " " " Spring
261309	14934	" " " " " Bracket
200126F	14934	Feed Roll Stripper Plate Spring Bracket Screw
261261	14935	Feed Tension Spring (bottom) ...
350053D	14935	" " " " Adjusting Thumb Screw
261262	14935	Feed Tension Spring (side)
350054E	14935	" " " " Adjusting Thumb Screw
261263	14935	Feed Tension Spring (side) Bracket
200044E	14935	" " " " " Screw (2)
261264	14935	Feed Tension Spring (side) Lever
200234F	14935	" " " " " Hinge Screw
261265	14935	Guide with 200393c
261266	14935	" Bracket with 200393c
200459D	14935	" " Thumb Screw
261267	14935	" Connecting Wire
200393c	14935	" " " Set Screw
200393c	14935	" Set Screw
261268	—	Guide complete, Nos. 261265 to 261267
261269	14933	Knife (cylinder)
210555	14933	" Adjusting Gear with two 200382c (2)
200382c	14930	Knife Adjusting Gear Set Screw ..
261270	14933	" " Knob with two 200362c
200362c	14931	" " " Set Screw
261271	14933	" " " Shaft
261272	14933	" " Shaft
261336	—	" " " Collar with 200383c and 200438c (2)
200438c	—	Knife Adjusting Shaft Collar Position Screw

No.	Plate	Name
200383c	14926	Knife Adjusting Shaft Collar Set Screw
200060D	14937	Knife Screw (4)
261276	14933	" Shaft
261277	14928	" " Bracket with 200019e and 201518e
261322	14936	Knife Shaft Bracket Gib (lower) (2)
261278	14936	Knife Shaft Bracket Gib (upper) (2)
233018	14937	Knife Shaft Bracket Gib Position Pin (4)
200018E	14937	Knife Shaft Bracket Gib Screw (4)
200019E	14937	" " " Pinch Screw ..
201518E	14937	" " " " " Nut
261279	14936	" " Bushing (2)
261280	—	" " " Oiling Leather (2)
200327c	14937	Knife Shaft Bushing Set Screw (2)
201518E	14937	" " " " " Nut
261281	14936	" " Driving Flange with 200335c, 200383c, 200434c and two 261282
200434c	14937	Knife Shaft Driving Flange Position Screw
200383c	14926	Knife Shaft Driving Flange Position Screw Check Screw
200335c	14926	Knife Shaft Driving Flange Set Screw
261282	14936	Knife Shaft Driving Pin
261283	14937	" " " " Spring
200169D	14937	" " " " " Screw
261284	14936	Knife Shaft Flange with 200335c, 200383c and 200440c
261285	—	Knife Shaft Flange 261284 with two each 200169D and 261283
200440c	14937	Knife Shaft Flange Position Screw
200383c	14926	" " " " " Check Screw
200335c	14926	Knife Shaft Flange Set Screw ..
201691c	14937	" " Nut with 1229c (2) ...
1229c	14937	" " " Clamping Screw ..
202260	—	" " Oiling Wick
261288	14937	" " Thrust Washer
261323	14936	Machine Hinge (2)
200030H	14937	" " Screw (6)
261289	14936	Presser Bar
201686B	14936	" " Adjusting Thumb Nut
261290	14938	" " Bushing (lower)

No.	Plate	Name
261291	14938	Presser Bar Bushing (upper)
200346c	14938	" " " Set Screw (2)
261293	14938	" " Plate
232348	14938	" " " Position Pin (2)
200582u	14938	" " " Screw (3)
261294	14938	" Foot
261295	14938	" " Adjusting Knob with 200445c
200445c	14938	Presser Foot Adjusting Knob Posi- tion Screw
261296	14938	Presser Foot Adjusting Pinion
261329	14938	" " " " Fric- tion Spring
261312	14938	Presser Foot Adjusting Pinion Washer
261297	14938	Presser Foot Holder
350065D	14938	" " " Hinge Screw
201690B	14938	" " Locking Thumb Nut
224022	14938	" " " " " " Washer
350051E	14938	Presser Foot Screw
261298	14937	Stripper Plate
200584D	14937	" " Screw

ACCESSORIES

No.	Plate	Name
261319	14939	Oil Stone
261317	14928	Belt Guard with one wood screw 1½ in., No. 10, R.H.B.
261313	-----	Emery Wheel Dresser Cutter
350049c	14937	" " " " Screw Stud
201539E	14926	Emery Wheel Dresser Cutter Screw Stud Nut
261314	-----	Emery Wheel Dresser Handle ...
261315	14939	Emery Wheel Dresser complete, Nos. 201539E, 261313, 261314 and 350049c
261343	14939	Guide
36578	14939	Oiler with 36579
36579	14939	" Spout, 3½ in. long, with 120117 120117 " " Washer (leather)
*120092	-----	Screw Driver Blade
*120093	-----	" " Ferrule
*120094	-----	" " Handle with 120093..
26485	14939	Screw Driver, Nos. 120092 and 120094
11831	14939	Screw Driver
		Six wood screws 1 in., No. 13

FEED GEARS

To increase speed of Feed Roll

261337	-----	Feed Driving Shaft Bevel Gear with two 200383c
261338	-----	Feed Roll Driving Bevel Gear with 200383c and 200398c

FEED ROLLS

No.	Plate	Name
261248	14932	Feed Roll (fine)
261249	—	“ “ (medium)
261250	—	“ “ (coarse)
261342	—	“ “ (emery)

OBSOLETE PARTS

261307	—	Feed Roll Driving Universal Coupling (lower) Bracket
261308	—	Feed Roll Driving Universal Coupling (lower) Bracket Cap

NUMERICAL LIST OF PARTS

No.	Plate	Name
443c	14931	Feed Regulating Lever Set Screw, for 261243
1229c	14937	Knife Shaft Nut Clamping Screw, for 201691c
11831	14939	Screw Driver
26485	14939	" " Nos. 120092 and 120094
36578	14939	Oiler with 36579
36579	14939	" Spout, 3½ in. long, with 120117, for 36578
*120092	---	Screw Driver Blade, for 26485
*120093	---	" " Ferrule, for 120094 ..
*120094	---	" " Handle with 120093, for 26485
120117	---	Oiler Spout Washer (leather), for 36579
200004E	14926	Arm Screw
200018E	14937	Knife Shaft Bracket Gib Screw ..
200019E	14937	" " " Pinch Screw, for 261277
200025c	14930	Emery Wheel Driving Shaft (inter- mediate) Bracket Screw
200030H	14937	Machine Hinge Screw
200044E	14935	Feed Tension Spring (side) Brack- et Screw
200060D	14937	Knife Screw
200070c	14931	Feed Regulating Fork Lever Set Screw, for 261241
200089E	14934	Feed Roll Bracket Cap Screw, for 261253
200110D	14930	Emery Wheel Shaft Gear Housing Cap Screw
200122D	14934	Feed Roll Driving Universal Coup- ling (lower) Bracket Cap Screw
200126E	14934	Feed Roll Stripper Plate Spring Bracket Screw
200136D	14934	Feed Roll Bevel Gear Guard Screw
200136D	14934	" " Driving Bevel Gear Guard (upper) Screw
200157B	14931	Feed Regulating Index Plate Screw
200160B	14926	Bed Oil Stop Screw
200169D	14937	Knife Shaft Driving Pin Spring Screw, for 261285
200234E	14935	Feed Tension Spring (side) Lever Hinge Screw
200327c	14937	Knife Shaft Bushing Set Screw ..

NUMERICAL LIST OF PARTS

FOR

MACHINE No. 509w1

No.	Plate	Name
200335c	14926	Driving Pulley Set Screw, for 261203
200335c	14926	Feed Carrier Frame Center Set Screw
200335c	14926	Knife Shaft Driving Flange Set Screw, for 261281
200335c	14926	Knife Shaft Flange Set Screw, for 261284
200338c	14926	Driving Pulley Position Screw, for 261203
200346c	14938	Presser Bar Bushing Set Screw ..
200347c	14931	Feed Driving Triple Gear Shifting Fork Bracket Shaft Set Screw ..
200354c	14930	Emery Wheel Shaft Bushing Set Screw, for 261227
200356c	14931	Feed Driving Shaft Bushing Set Screw
200362c	14931	Feed Driving Worm Bushing Set Screw, for 261239
200362c	14931	Knife Adjusting Knob Set Screw, for 261270
200378c	14926	Emery Wheel Adjusting Crank Set Screw, for 261213
200378c	14926	Emery Wheel Driving Shaft Gear Set Screw, for 261220
200378c	14926	Emery Wheel Driving Shaft (intermediate) Gear (lower) Set Screw, for 261223
200382c	14930	Emery Wheel Driving Shaft (intermediate) Gear (upper) Set Screw, for 261224
200382c	14930	Feed Driving Worm Bracket Stop Screw Lock Screw
200382c	14930	Feed Driving Worm Driving Gear Set Screw, for 261224
200382c	14930	Knife Adjusting Gear Set Screw, for 210555
200383c	14926	Driving Shaft Gear Set Screw, for 261209
200383c	14926	Emery Wheel Driving Shaft Collar Set Screw, for 204246
200383c	14926	Feed Driving Shaft Bevel Gear Set Screw, for 261333 and 261337 ..
200383c	14926	Feed Driving Shaft Collar Set Screw, for 204246
200383c	14926	Feed Roll Driving Bevel Gear Set Screw, for 261254 and 261338 ..
200383c	14926	Knife Adjusting Shaft Collar Set Screw, for 261336

No.	Plate	Name
200383c	14926	Knife Shaft Driving Flange Position Screw Check Screw, for 261281
200383c	14926	Knife Shaft Flange Position Screw Check Screw, for 261284
200393c	14935	Guide Connecting Wire Set Screw, for 261265
200393c	14935	Guide Set Screw, for 261266
200397n	14934	Feed Roll Bracket Adjusting Thumb Screw Set Screw, for 261253
200398c	14926	Driving Shaft Gear Position Screw, for 261209
200398c	14926	Feed Roll Driving Bevel Gear Position Screw, for 261254 and 261338
200434c	14937	Knife Shaft Driving Flange Position Screw, for 261281
200438c	---	Knife Adjusting Shaft Collar Position Screw, for 261336
200440c	14937	Knife Shaft Flange Position Screw, for 261284
200445c	14938	Presser Foot Adjusting Knob Position Screw, for 261295
200459d	14935	Guide Bracket Thumb Screw
200540e	14926	Dust Shield Screw
200558n	14926	Driving Pulley Guard Screw
200582n	14938	Presser Bar Plate Screw
200584d	14937	Stripper Plate Screw
200913d	14926	Emery Wheel Adjusting Crank Link Hinge Screw
200923e	14934	Feed Roll Driving Universal Coupling (lower) Bracket Screw
201011b	14926	Bed Oil Stop Screw
201048n	14926	Drip Pan Thumb Screw
201142c	14930	Emery Wheel Shaft Gear Set Screw, for 223868
201220c	14930	Emery Wheel Driving Shaft Gear Position Screw, for 261220
201347c	14931	Feed Driving Worm Bracket Stop Screw
201518e	14937	Knife Shaft Bracket Pinch Screw Nut, for 261277
201518e	14937	Knife Shaft Bushing Set Screw Nut
201520n	14926	Emery Wheel Adjusting Screw Stud Nut
201524e	14926	Chip Ejector Lock Nut
201539c	14926	Emery Wheel Adjusting Crank Link Hinge Screw Nut

No.	Plate	Name
201539E	14926	Emery Wheel Dresser Cutter Screw Stud Nut, for 261315
201685B	14937	Emery Wheel Adjusting Thumb Nut
201686B	14936	Presser Bar Adjusting Thumb Nut
201687C	14930	Emery Wheel Shaft Nut
201688E	14931	Feed Carrier Frame Adjusting Thumb Screw Lock Nut
201689B	14931	Feed Regulating Lever Lock Pin Thumb Nut
201690B	14938	Presser Foot Locking Thumb Nut
201691C	14937	Knife Shaft Nut with 1229c
202260	—	" " Oiling Wick
202302	14926	Emery Wheel Adjusting Crank Link Hinge Stud Cotter Pin, for 261316
202305	14931	Feed Carrier Frame Center
202423	—	Emery Wheel Shaft Bushing Oil Packing (wick)
202423	—	Feed Driving Worm Bracket Oil Packing (wick)
202622	14934	Feed Roll Bracket Adjusting Thumb Screw Washer
204235	14926	Arm Position Pin
204246	14930	Emery Wheel Driving Shaft Collar with two 200383c
204246	14930	Feed Driving Shaft Collar with two 200383c
205510	14931	Feed Driving Triple Gear Shifting Fork Position Pin, for 261324 ..
210555	14933	Knife Adjusting Gear with two 200382c
210983	14931	Feed Regulating Index Plate Position Pin
223868	14930	Emery Wheel Shaft Gear with two 201142c
224022	14938	Presser Foot Locking Thumb Nut Washer
231433	14931	Feed Driving Triple Gear Key ...
232310	14926	Chip Ejector Position Pin, for 261304
232348	14938	Presser Bar Plate Position Pin ..
232541	14934	Feed Roll Driving Universal Coupling (lower) Bracket Position Pin
232866	14926	Bed End Cover Pin, for 261301 ..
233018	14937	Knife Shaft Bracket Gib Position Pin
261201	14927	Bed Slide
261203	14927	Driving Pulley with 200335c and 200338c

No.	Plate	Name
261204	14927	Driving Pulley Guard
261205	14927	" Shaft
261206	14927	" " Ball Bearing (back) ..
261207	14927	" " " " (front) ...
261208	14927	" " " " Washer ...
261209	14927	" " Gear with 200383c and 200398c
261211	14928	Dust Shield
261212	14929	Emery Wheel
261213	14929	" " Adjusting Crank with two 200378c
261214	14926	Emery Wheel Adjusting Crank Link
261215	14926	Emery Wheel Adjusting Screw Stud Extension
261216	14926	Emery Wheel Adjusting Screw Stud Spring
261217	14926	Emery Wheel Adjusting Thumb Nut Washer
261218	14930	Emery Wheel Bushing
261219	14928	" " Driving Shaft
261220	14930	" " " " Gear with 200378c and 201220c
261221	14929	Emery Wheel Driving Shaft (intermediate)
261222	14929	Emery Wheel Driving Shaft (intermediate) Bracket
261223	14930	Emery Wheel Driving Shaft (intermediate) Gear (lower) with two 200378c
261224	14930	Emery Wheel Driving Shaft (intermediate) Gear (upper) with two 200382c
261224	14930	Feed Driving Worm Driving Gear with two 200382c
261225	14930	Emery Wheel Shaft
261226	14930	" " " Bushing
261227	14928	" " " Gear Housing with 200354c
261228	14929	Emery Wheel Shaft Gear Housing Cap
261231	14928	Feed Carrier Frame
261233	14928	" Driving Shaft
261234	14929	" " Triple Gear
261236	—	" " " " Shifting Fork, for 261324
261237	14929	Feed Driving Triple Gear Shifting Fork Bracket Shaft
261238	14929	Feed Driving Worm

No.	Plate	Name
261239	14932	Feed Driving Worm Bracket with 200362c
261240	14931	Feed Driving Worm Bushing
261241	14931	" Regulating Fork Lever with 200070c
261242	14932	Feed Regulating Index Plate
261243	14931	" " Lever with 443c ...
261244	14931	" " " Lock Pin
261246	14931	" " " " " Spring
261247	14932	" " " Shaft
261248	14932	" Roll (fine)
261249	---	" " (medium)
261250	---	" " (coarse)
261251	14934	" Bevel Gear Shaft
261252	14932	" " " Guard
261253	14932	" " Bracket with 200397n and four 200089e
261254	14934	Feed Roll Driving Bevel Gear with 200383c and 200398c
261255	14934	Feed Roll Driving Gear Shaft
261256	14934	" " " Universal Connection
261257	14934	Feed Roll Driving Universal Coupling (lower)
261258	14934	Feed Roll Driving Universal Coupling (upper)
261259	14934	Feed Roll Stripper Plate
261260	14934	" " " " Spring ..
261261	14935	" Tension Spring (bottom)
261262	14935	" " " (side)
261263	14935	" " " " Bracket ..
261264	14935	Feed Tension Spring (side) Lever
		Nos. 261265 to 261267, for 261268
261265	14935	Guide with 200393c
261266	14935	" Bracket with 200393c
261267	14935	" Connecting Wire
261268	---	Guide complete, Nos. 261265 to 261267
261269	14933	Knife (cylinder)
261270	14933	" Adjusting Knob with two 200362c
261271	14933	Knife Adjusting Knob Shaft
261272	14933	" " Shaft
261276	14933	" Shaft
261277	14928	" " Bracket with 200019e and 201518e
261278	14936	Knife Shaft Bracket Gib (upper) ..
261279	14936	" " Bushing
261280	---	" " " Oiling Leather ..

No.	Plate	Name
261281	14936	Knife Shaft Driving Flange with 200335c, 200383c, 200434c and two 261282
261282	14936	Knife Shaft Driving Pin, for 261281
261283	14937	" " " " Spring, for 261285
261284	14936	Knife Shaft Flange with 200335c, 200383c and 200440c, for 261285 ..
261285	---	Knife Shaft Flange 261284 with two each 200169n and 261283
261288	14937	Knife Shaft Thrust Washer
261289	14936	Presser Bar
261290	14938	" " Bushing (lower)
261291	14938	" " " (upper)
261293	14938	" " Plate
261294	14938	" Foot
261295	14938	" " Adjusting Knob with 200445c
261296	14938	Presser Foot Adjusting Pinion ...
261297	14938	" " Holder
261298	14937	Stripper Plate
*261299	---	Arm
*261300	---	Bed
261301	---	" End Cover with two 232866 ..
261303	14927	Chip Ejector
261304	14926	" " Hub with 232310
261305	14928	" " Shaft
261306	14932	Feed Roll Driving Bevel Gear Guard (upper)
261307	---	Feed Roll Driving Universal Coupling (lower) Bracket
261308	---	Feed Roll Driving Universal Coupling (lower) Bracket Cap
261309	14934	Feed Roll Stripper Plate Spring Bracket
261310	14934	Feed Roll Key
261312	14938	Presser Foot Adjusting Pinion Washer
261313	---	Emery Wheel Dresser Cutter, for 261315
261314	---	Emery Wheel Dresser Handle, for 261315
261315	14939	Emery Wheel Dresser complete, Nos. 201539e, 261313, 261314 and 350049c
261316	14926	Emery Wheel Adjusting Crank Link Hinge Stud with 202302 ..
261317	14928	Belt Guard with one wood screw 1 1/2 in., No. 10, R.H.B.
261318	14931	Feed Regulating Lever Shaft Bush-

No.	Plate	Name
261319	14939	Oil Stone
261320	-----	Drip Pan
261321	-----	Feed Driving Triple Gear Shifting Fork Bracket, for 261324
261322	14936	Knife Shaft Bracket Gib (lower) ..
261323	14936	Machine Hinge
261324	14929	Feed Driving Triple Gear Shifting Fork 261236 with 205510 and 261321
261325	14930	Emery Wheel Washer (paper) ...
261326	14930	" " " (steel)
261327	14929	Feed Driving Shaft Bushing
261328	14930	Emery Wheel Shaft Gear Housing Oil Cup
261329	14938	Presser Foot Adjusting Pinion Fric- tion Spring
261330	14926	Driving Shaft Oil Tube (brass) (long)
261331	14926	Driving Shaft Gear Oil Tube (brass)
261331	14926	Driving Shaft Oil Tube (brass) (short)
261331	14926	Feed Driving Worm Oil Tube (brass)
261332	14934	Feed Roll Driving Bevel Gear Fric- tion Washer
261333	14931	Feed Driving Shaft Bevel Gear with two 200383c
261336	-----	Knife Adjusting Shaft Collar with 200383c and 200438c
261337	-----	Feed Driving Shaft Bevel Gear with two 200383c
261338	-----	Feed Roll Driving Bevel Gear with 200383c and 200398c
261339	14934	Feed Roll Driving Bevel Gear Thrust Washer
261340	14932	Feed Roll Driving Universal Coup- ling (lower) Bracket
261341	14938	Feed Roll Driving Universal Coup- ling (lower) Bracket Cap
261342	-----	Feed Roll (emery)
261343	14939	Guide
350049c	14937	Emery Wheel Dresser Cutter Screw Stud, for 261315
350050d	14931	Feed Carrier Frame Adjusting Thumb Screw
350051f	14938	Presser Foot Screw
350052d	14934	Feed Roll Bracket Adjusting Thumb Screw

No.	Plate	Name
350053d	14935	Feed Tension Spring (bottom) Ad- justing Thumb Screw
350054f	14935	Feed Tension Spring (side) Adjust- ing Thumb Screw
350062c	14926	Emery Wheel Adjusting Screw Stud
350063d	14926	Chip Ejector Screw
350065d	14938	Presser Foot Holder Hinge Screw

**ILLUSTRATIONS OF PARTS
FOR
MACHINE No. 509w 1**

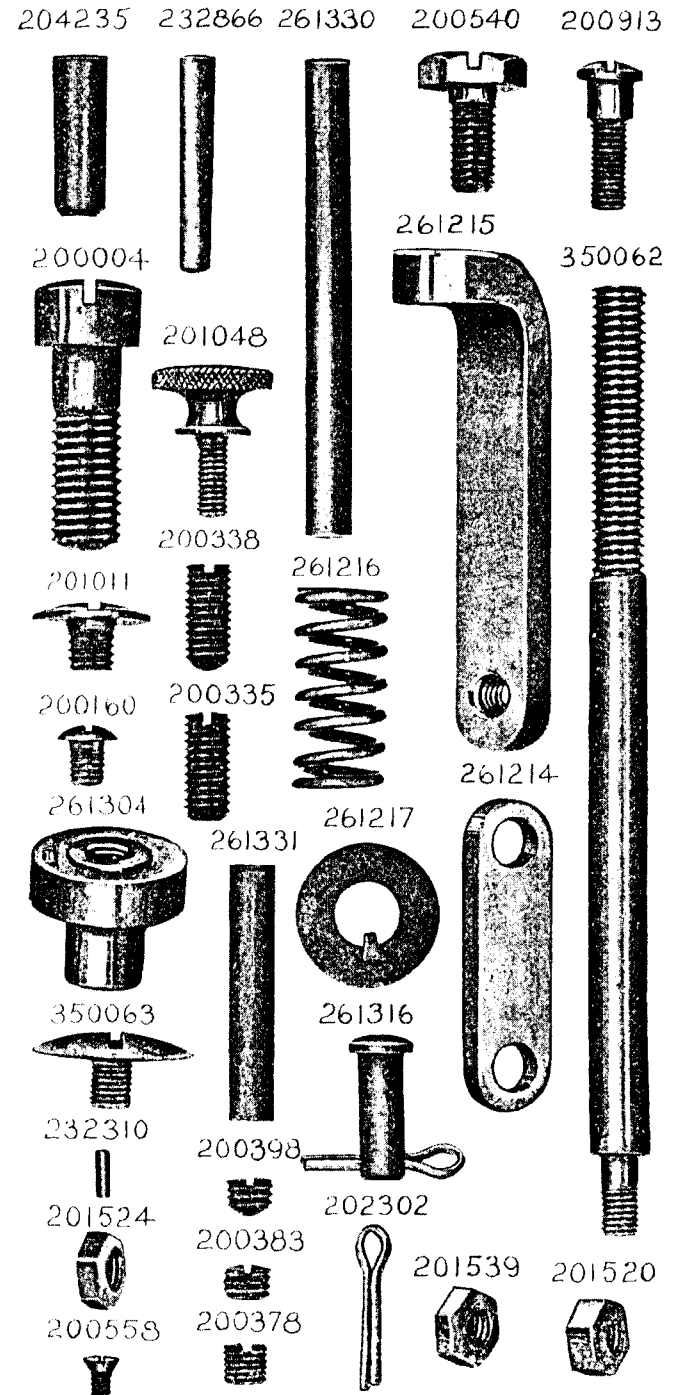


PLATE 14927—ONE-HALF SIZE

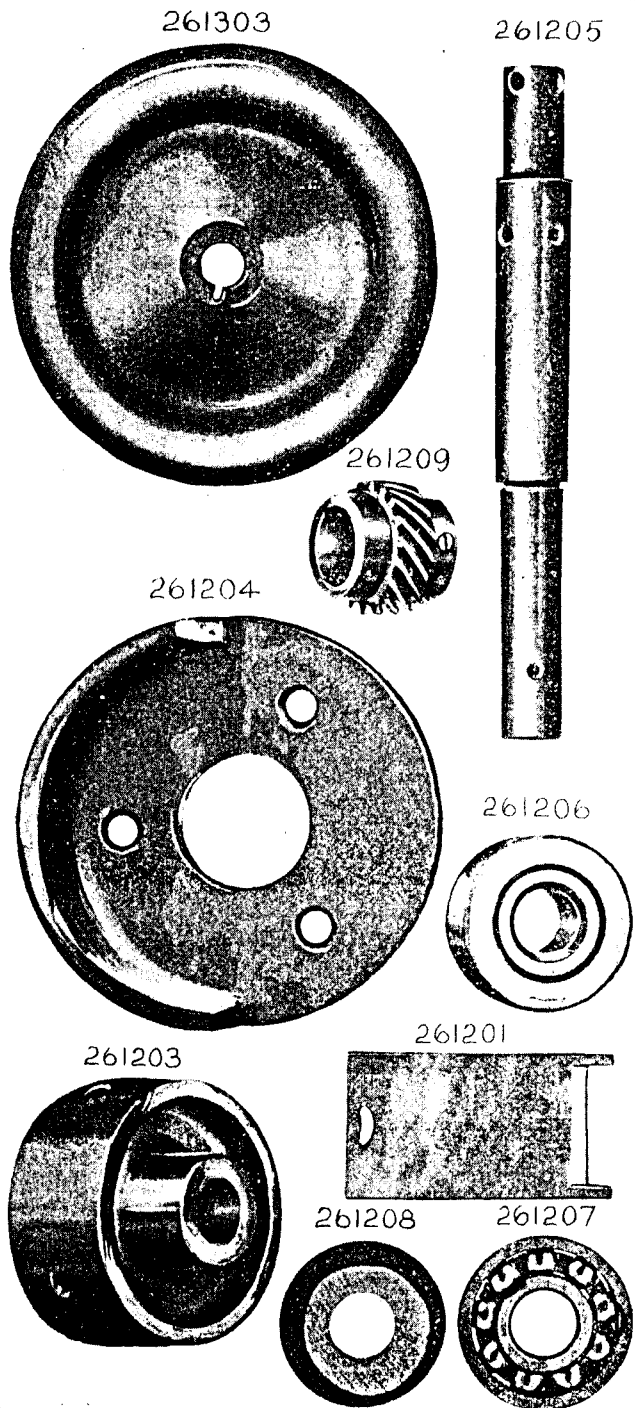


PLATE 14928—ONE-FOURTH SIZE

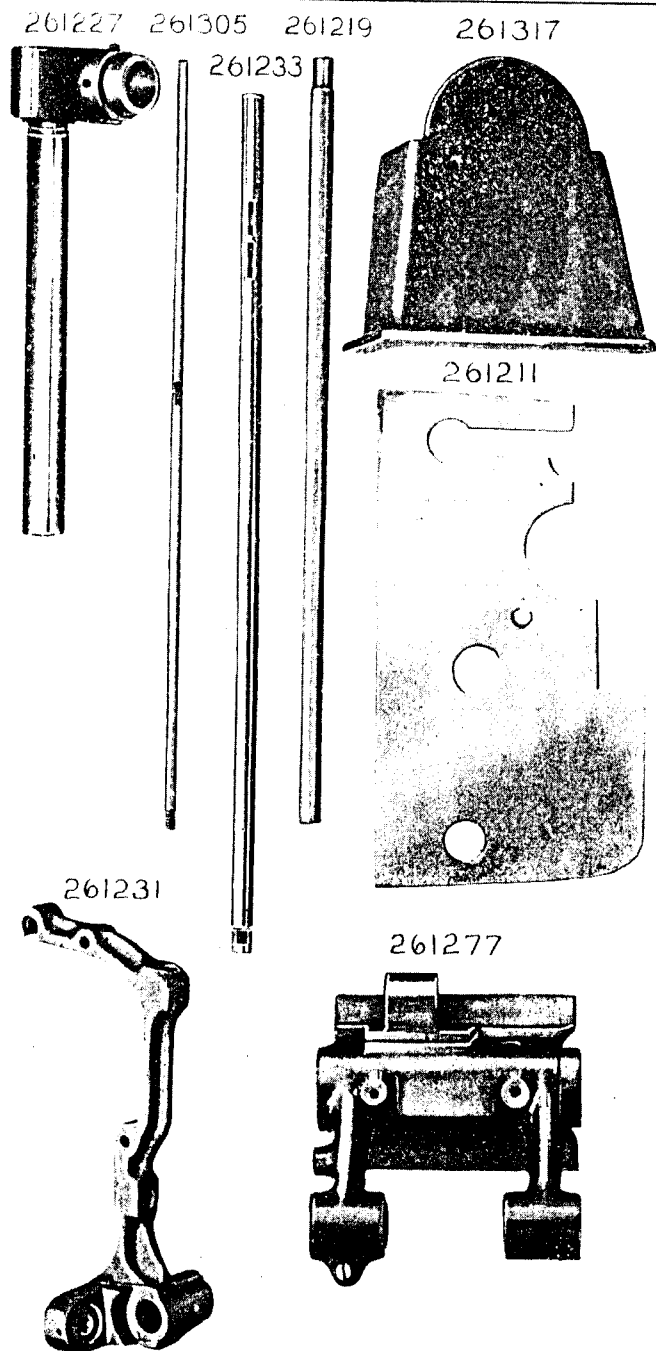


PLATE 14929—ONE-HALF SIZE

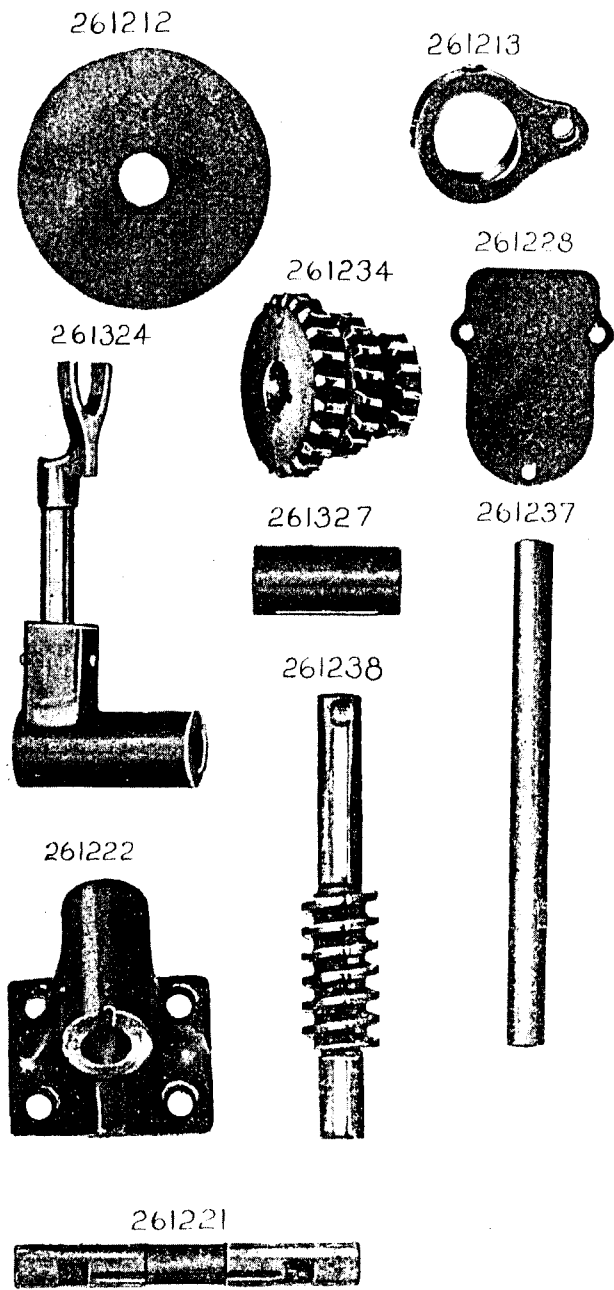


PLATE 14930—FULL SIZE

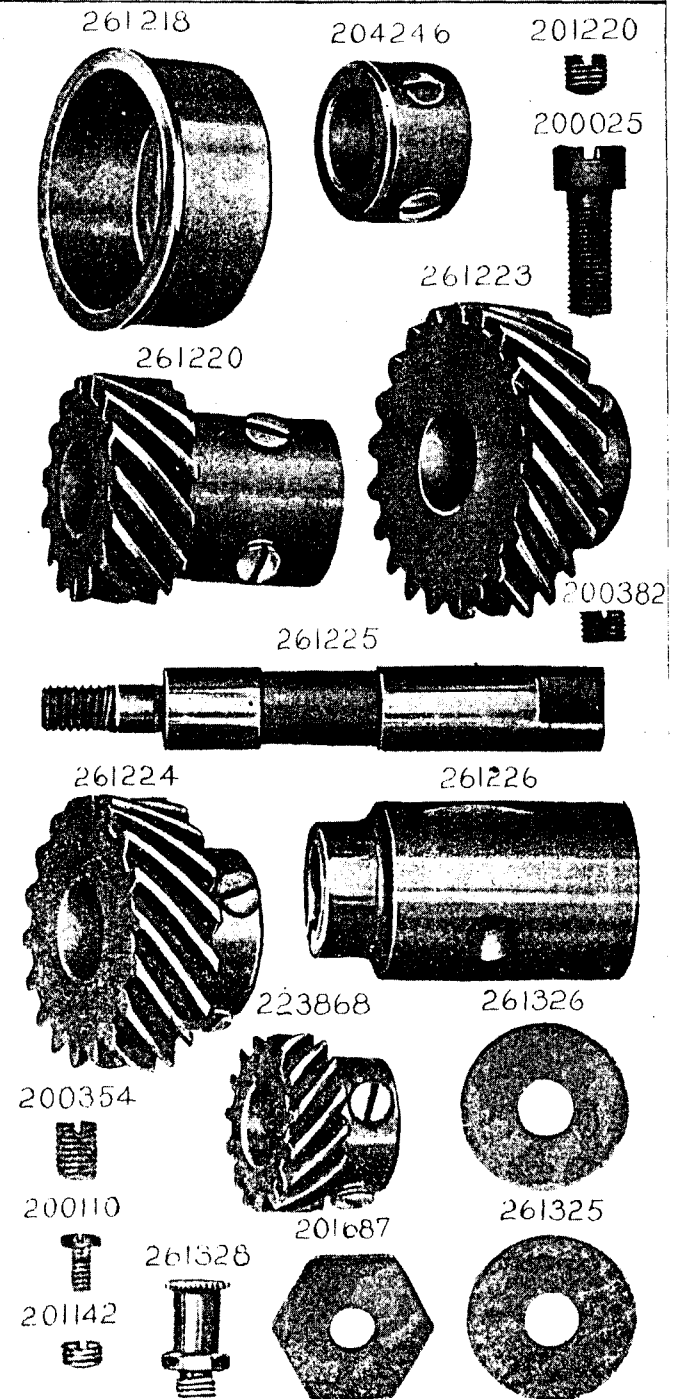


PLATE 14931—FULL SIZE

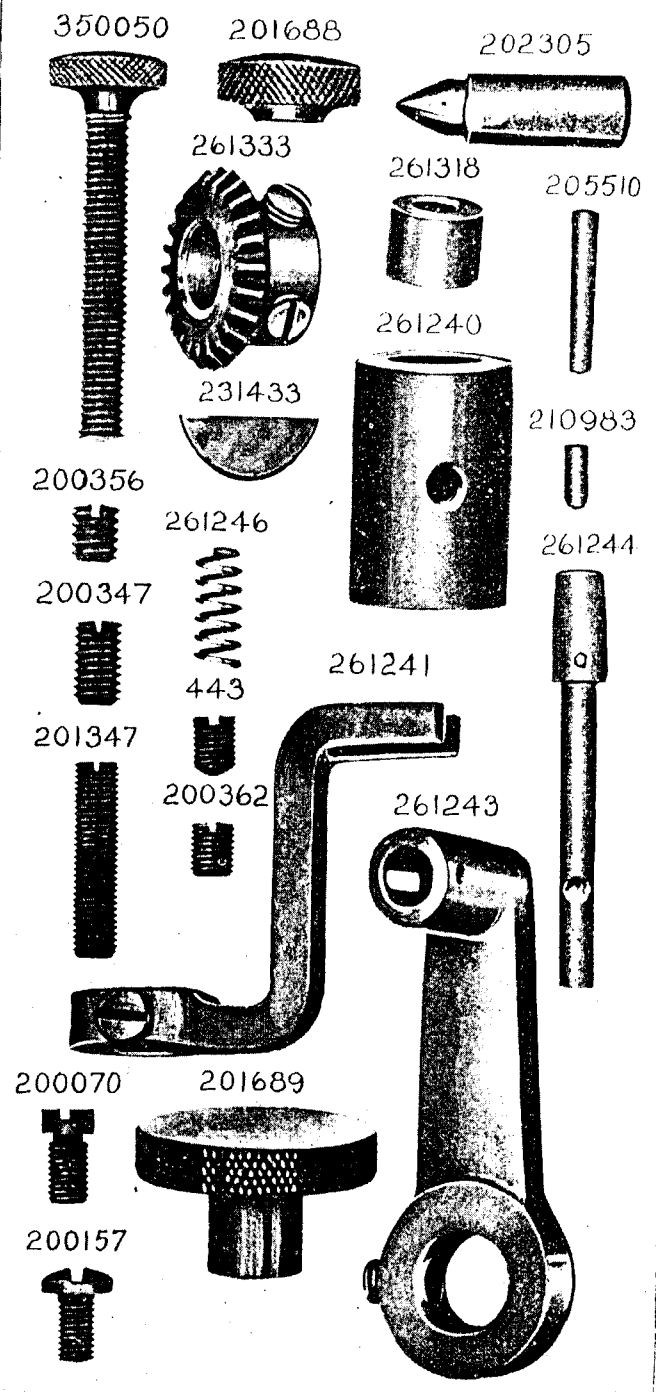


PLATE 14932—ONE-HALF SIZE

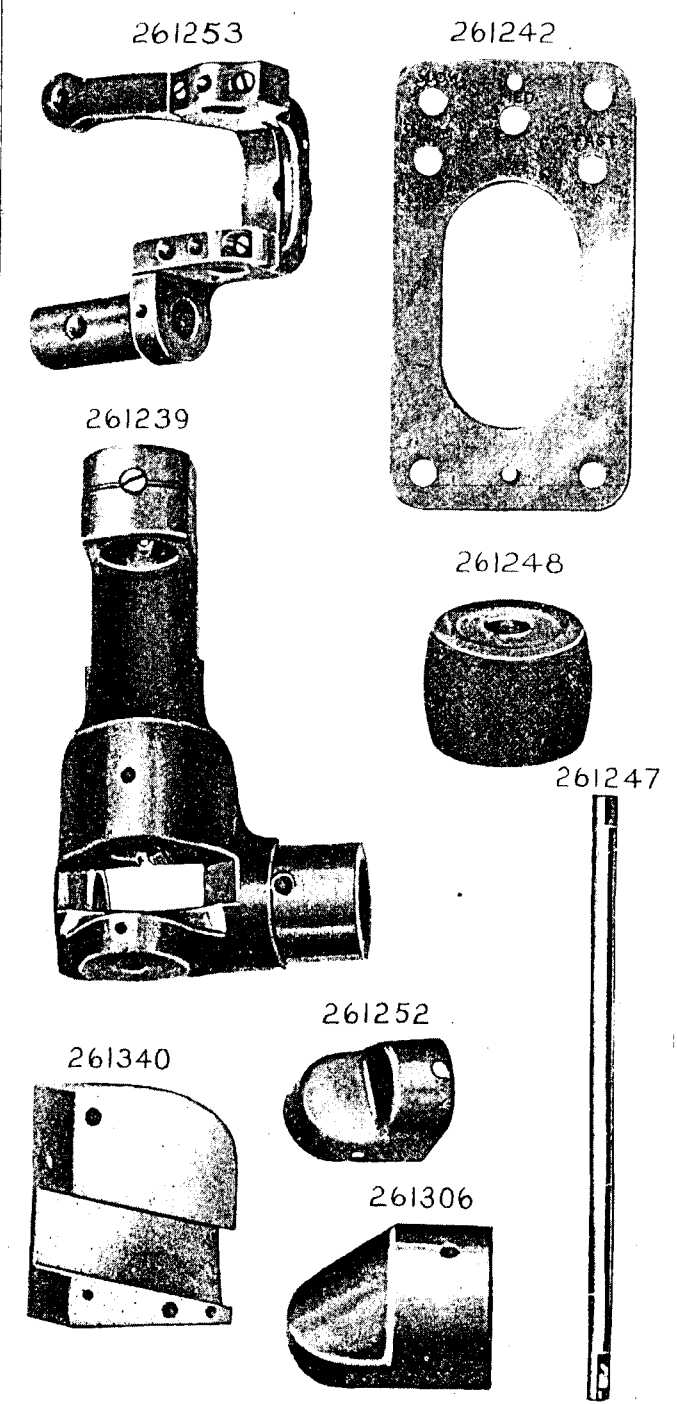


PLATE 14933—ONE-HALF SIZE

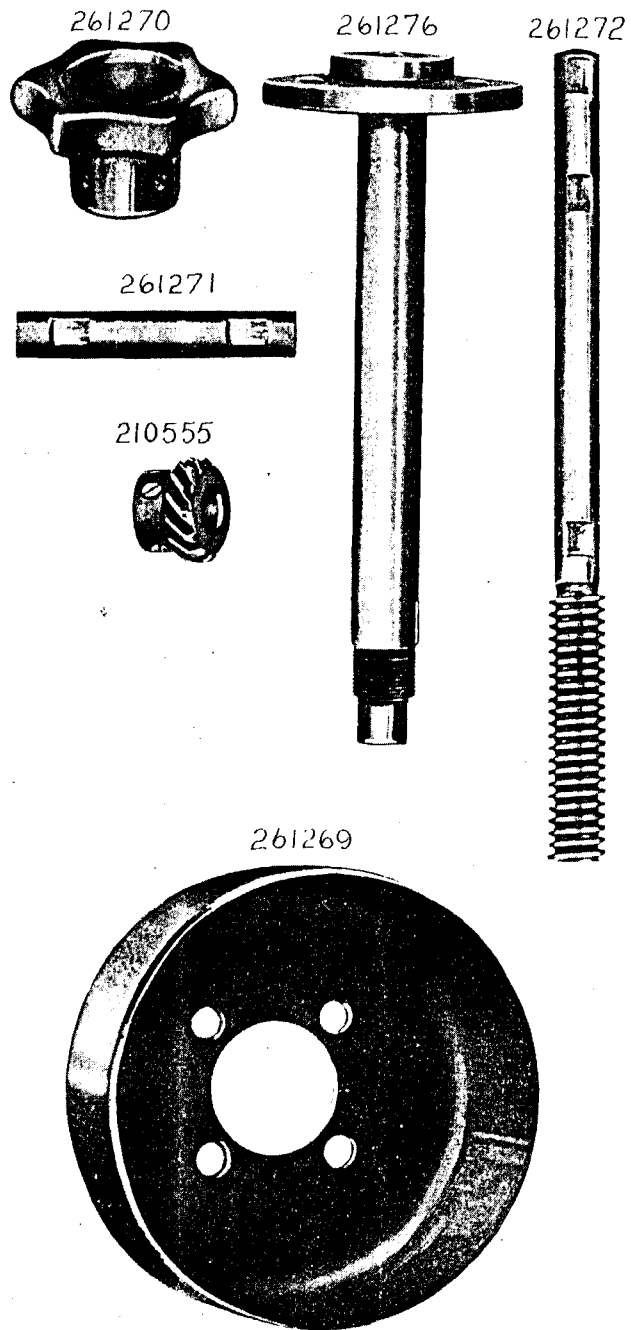


PLATE 14934—FULL SIZE

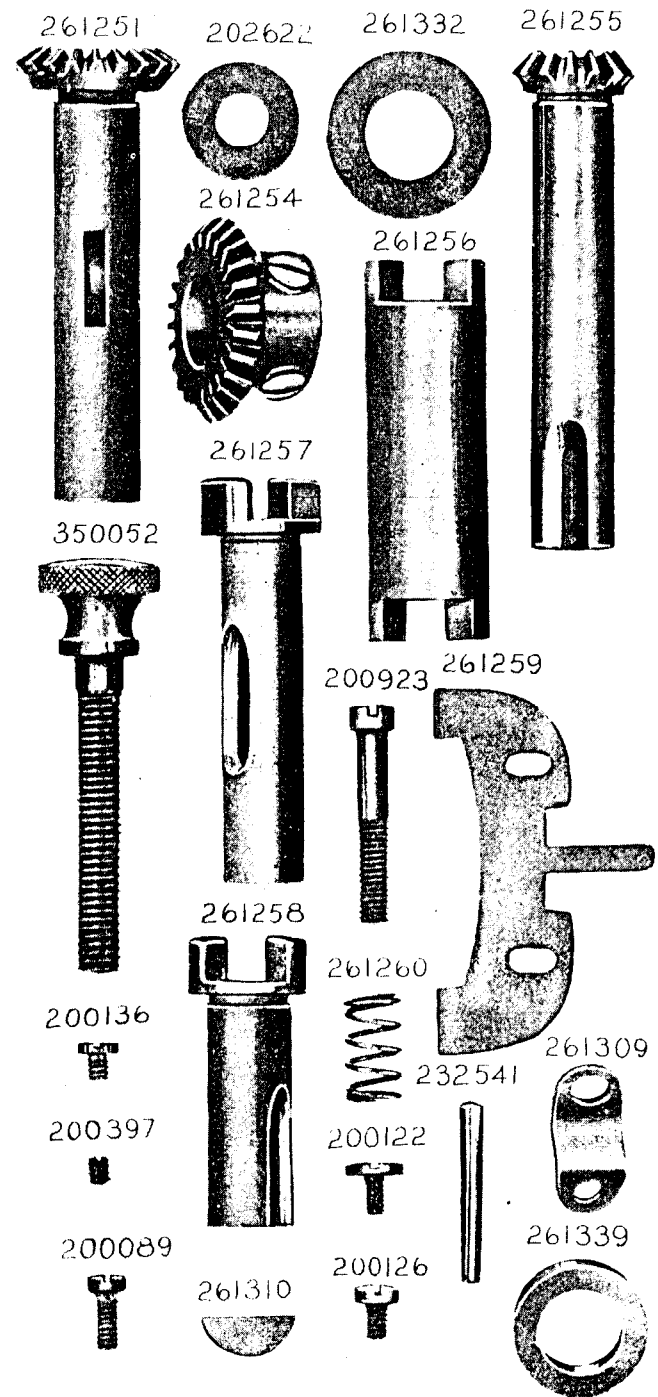


PLATE 14935—FULL SIZE

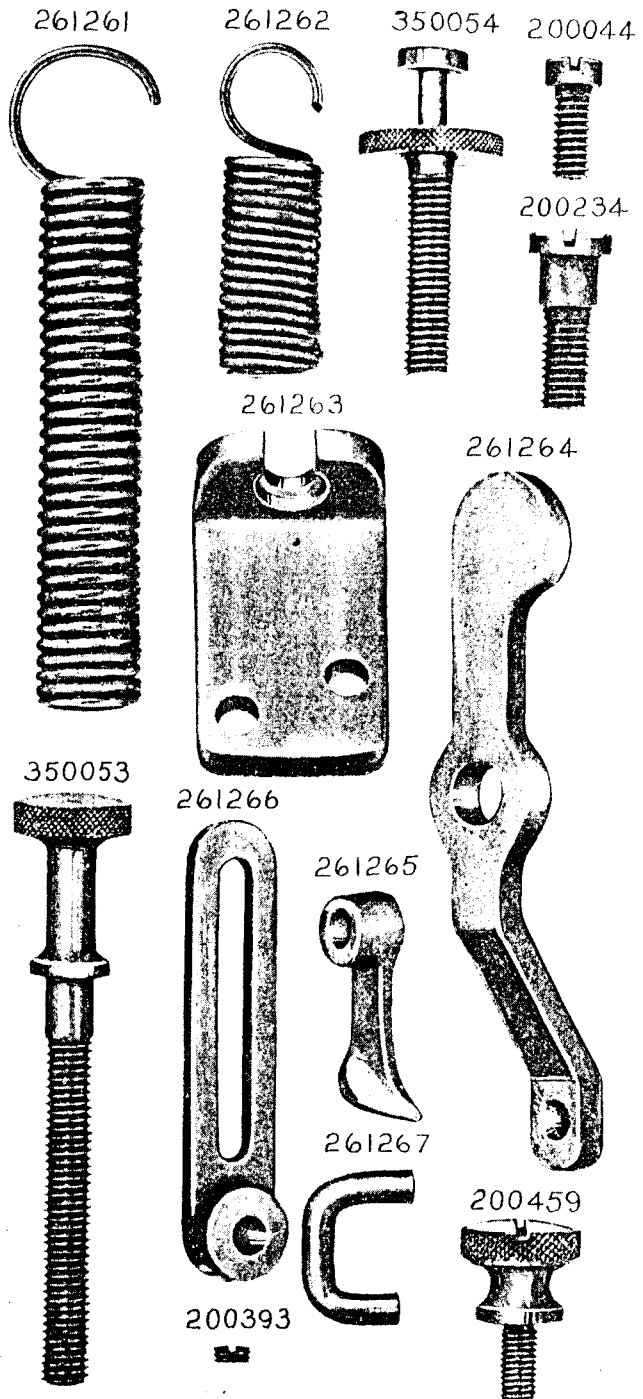


PLATE 14936—ONE-HALF SIZE

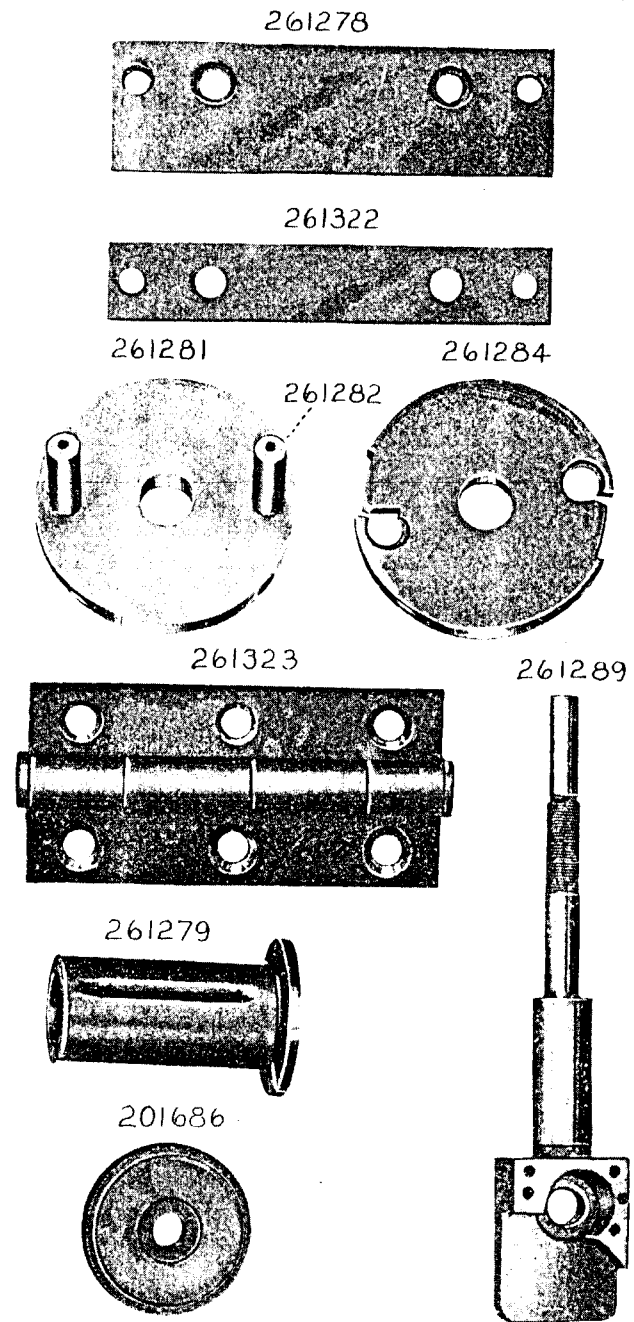


PLATE 14937—FULL SIZE

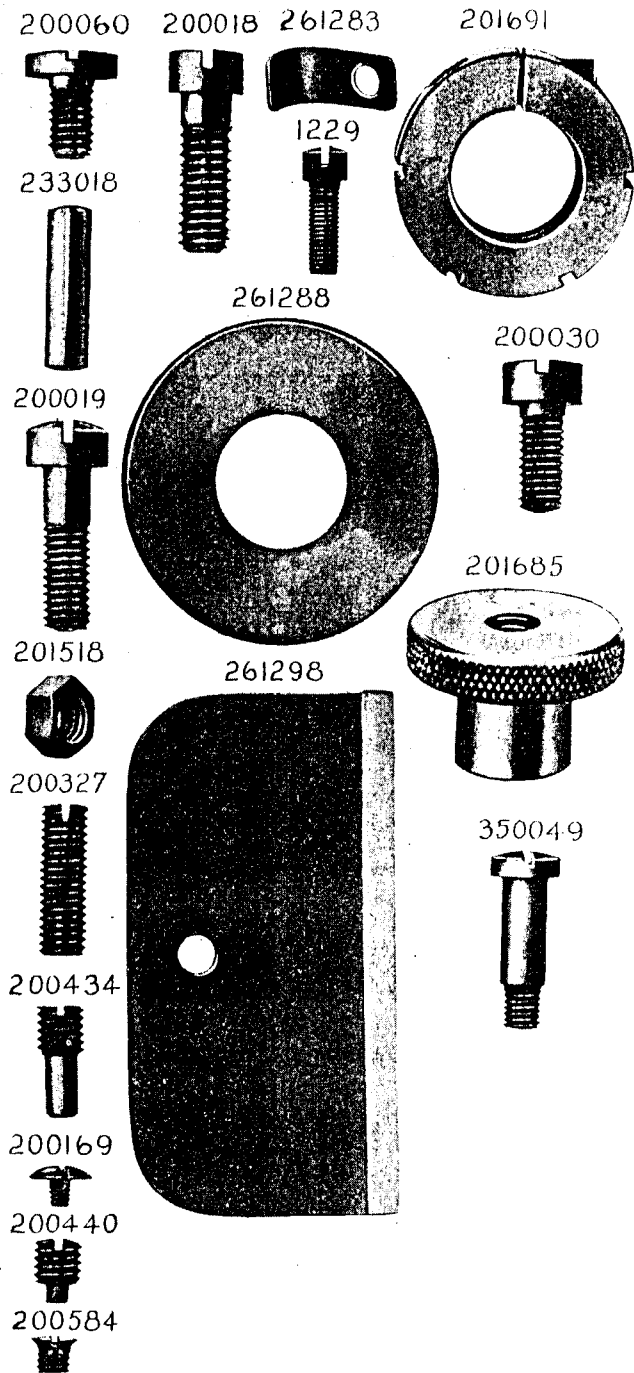


PLATE 14938—FULL SIZE

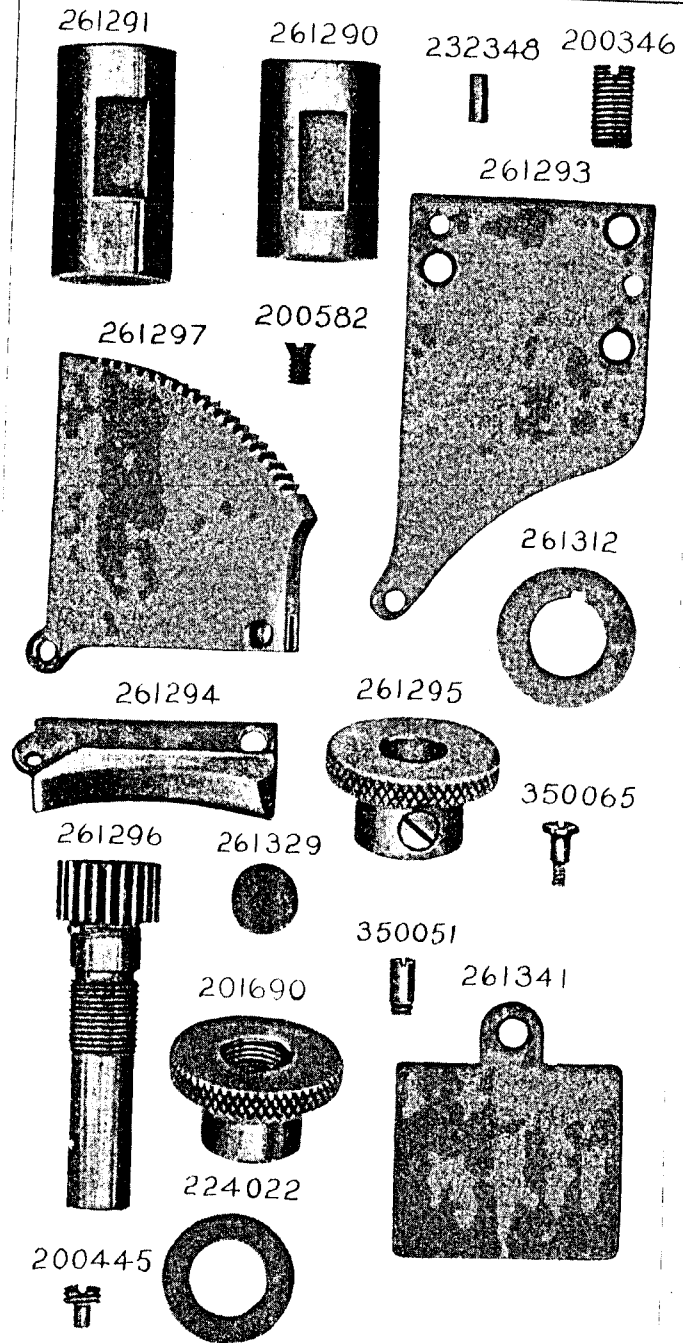


PLATE 14939—ONE-HALF SIZE

