

SINGER
95K1,K2

ILLUSTRATED
PRICE LIST OF PARTS

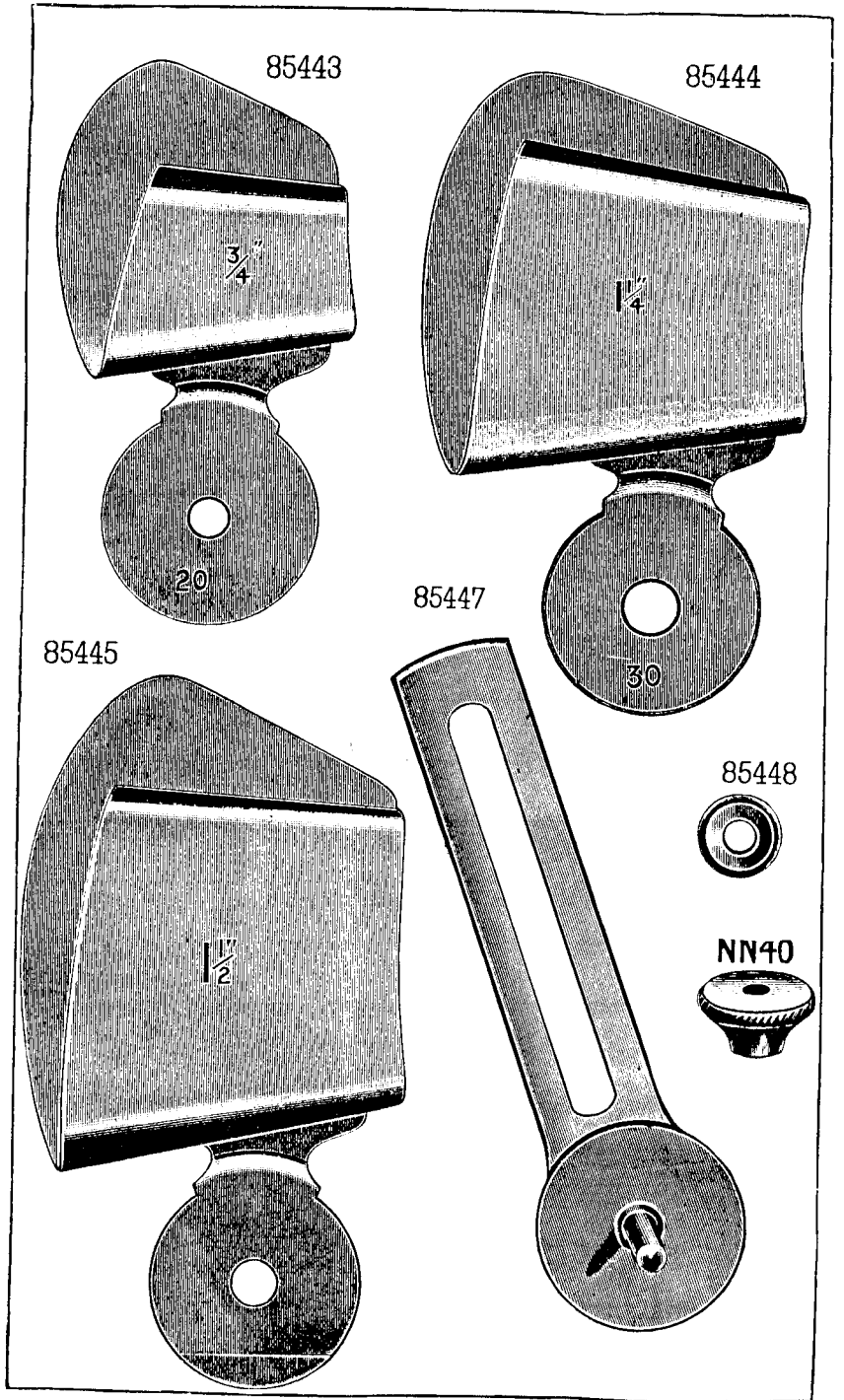
FOR

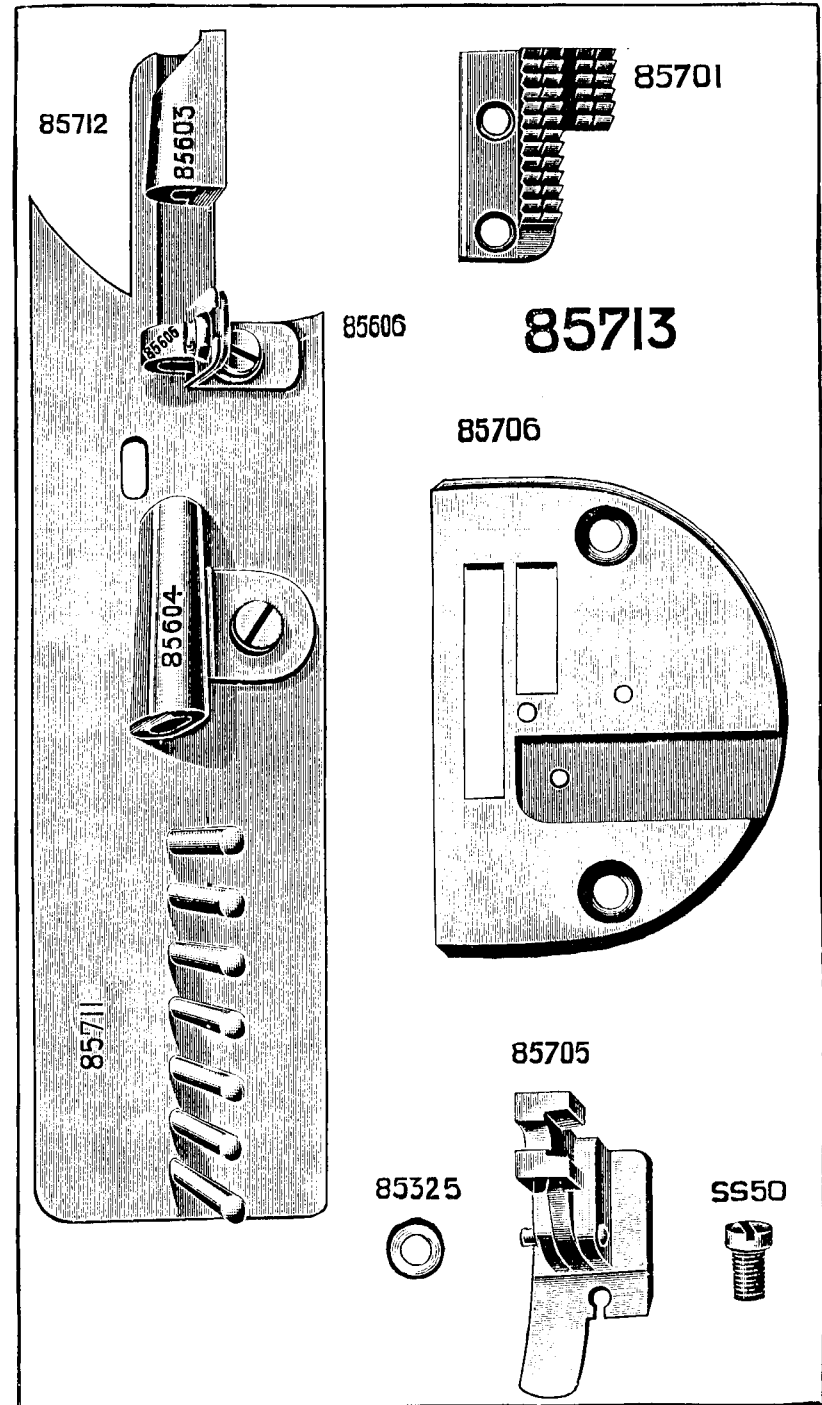
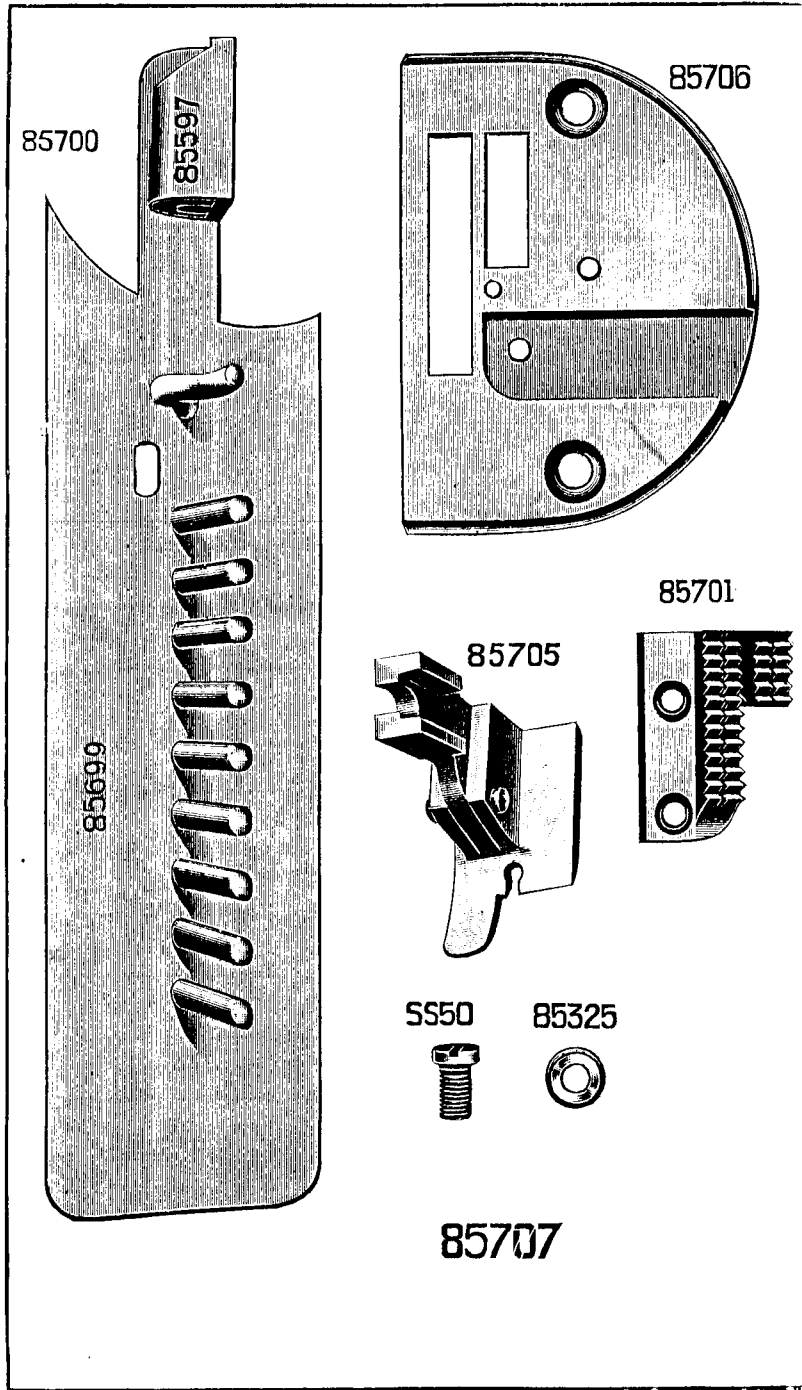
Class 95K Machines

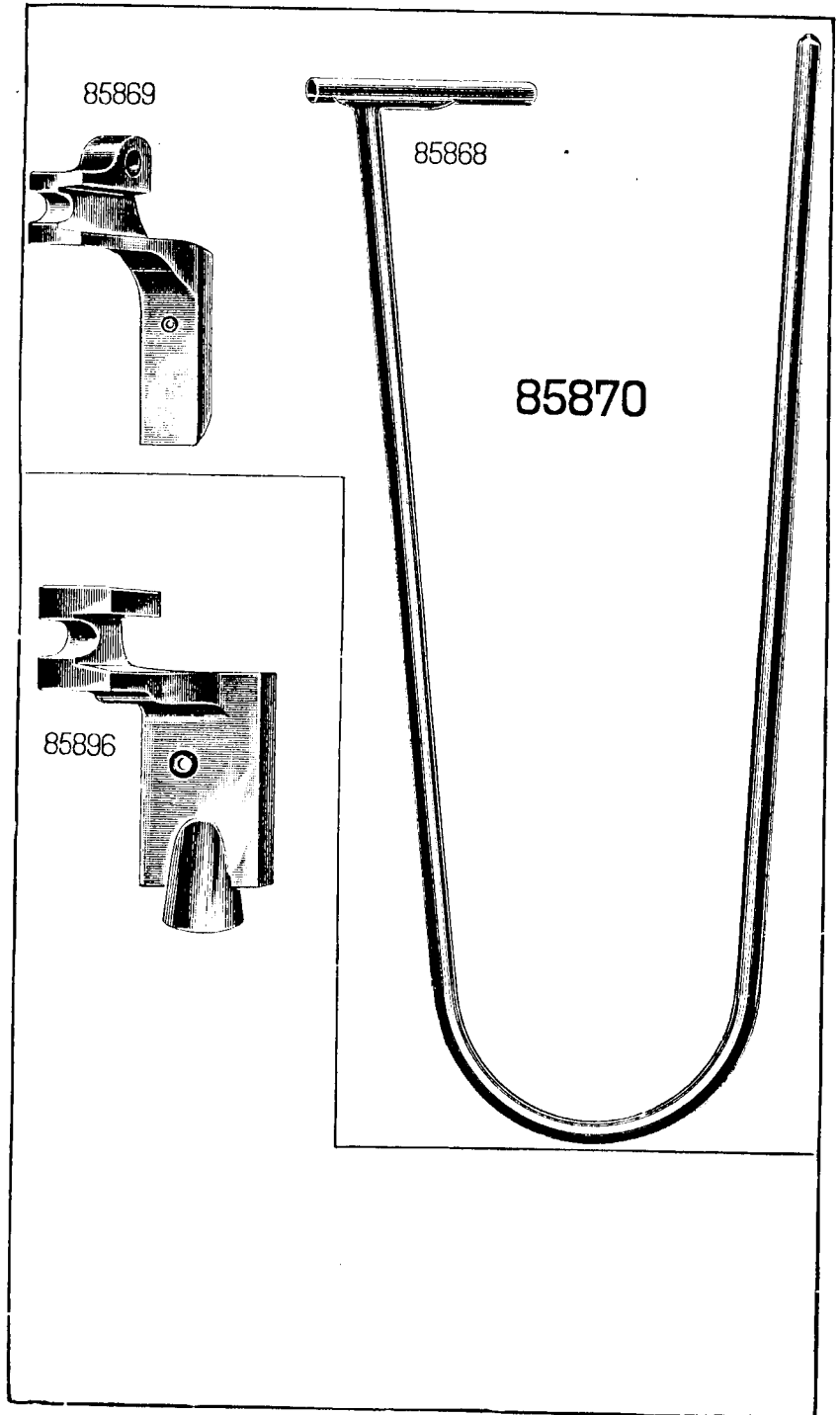
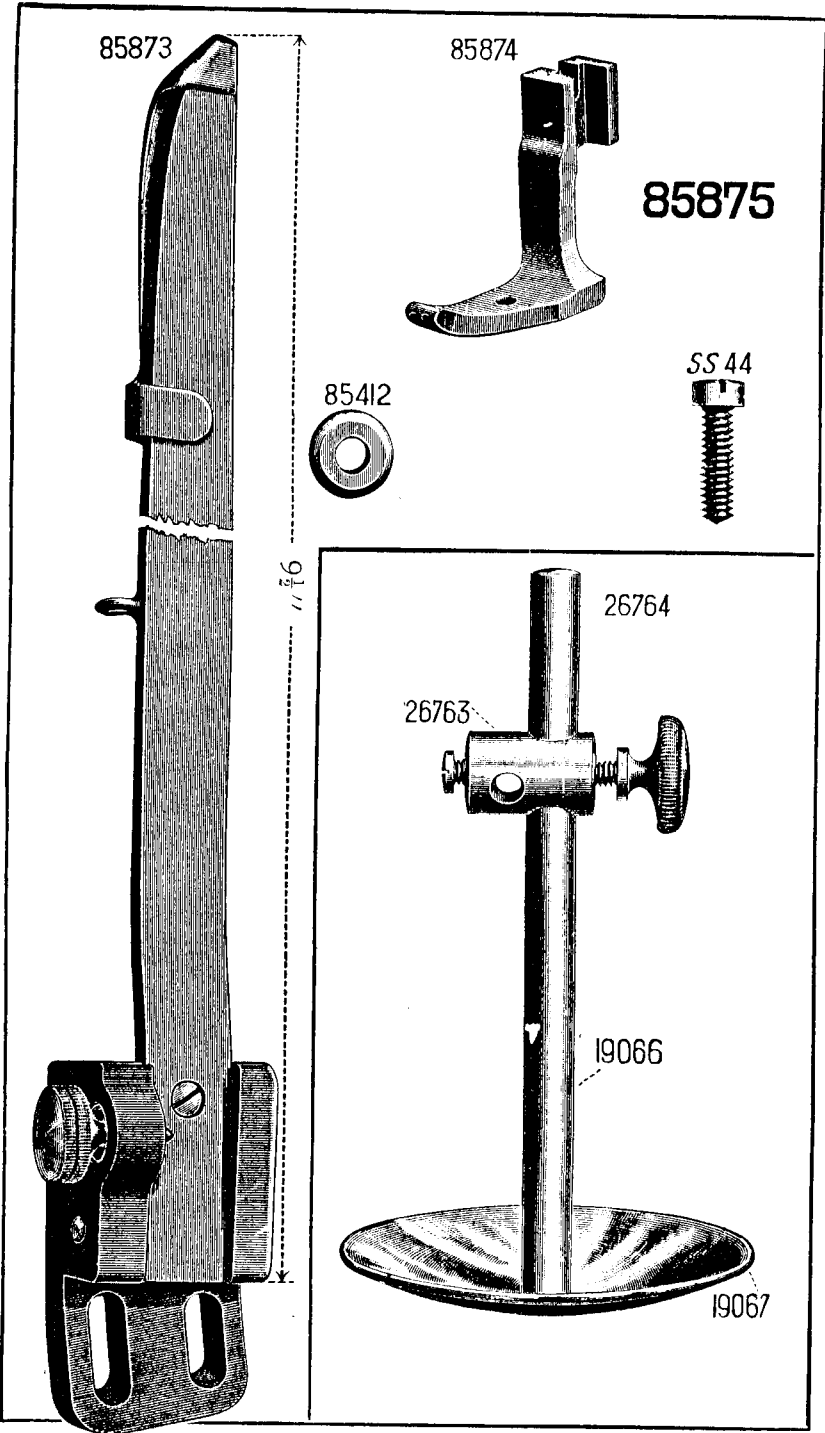
(95K1 and 95K2).

THE SINGER MANUFACTURING COMPANY.

1913.





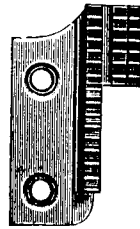
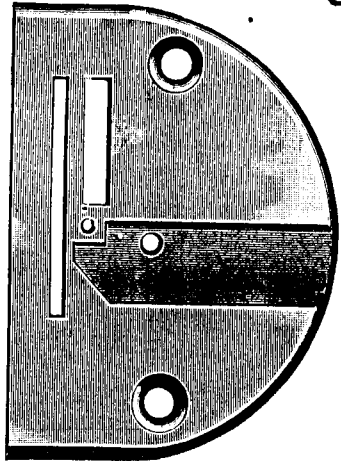


85697

85698

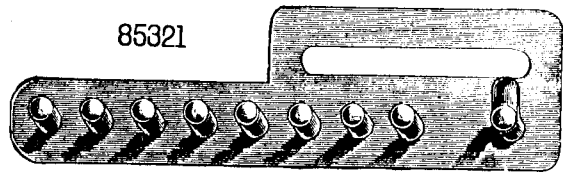
85693

85696



3850

85321

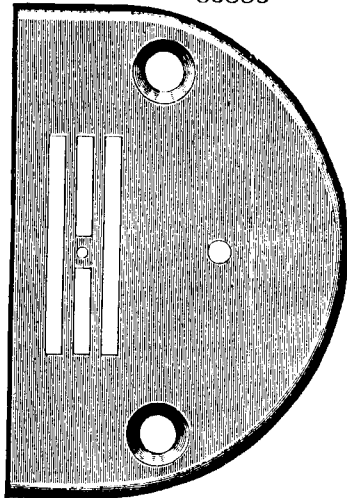
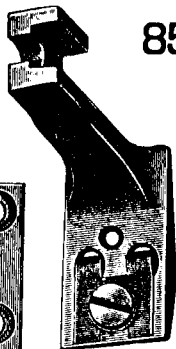
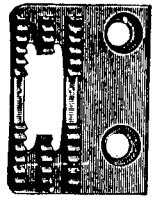


85884

85886

85885

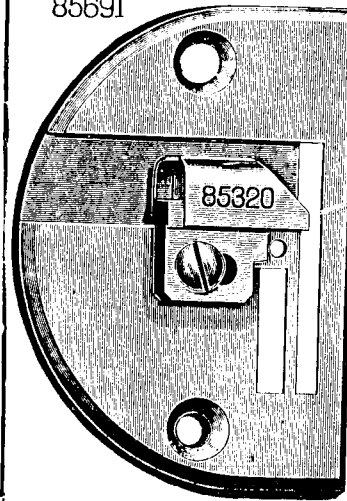
85882



85691

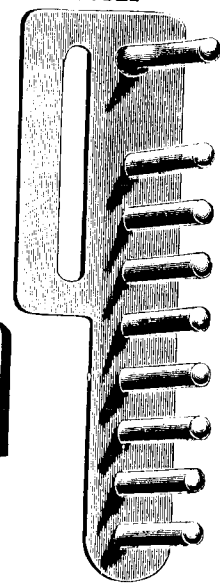
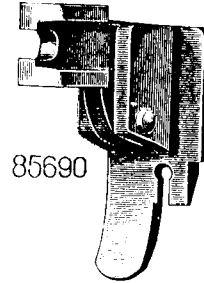
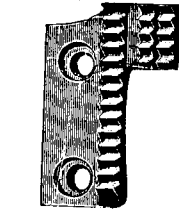
85686

85321



85692

85690

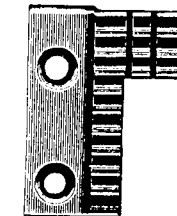


85684

85685

85683

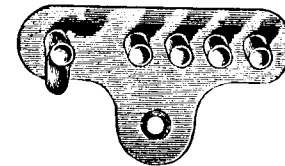
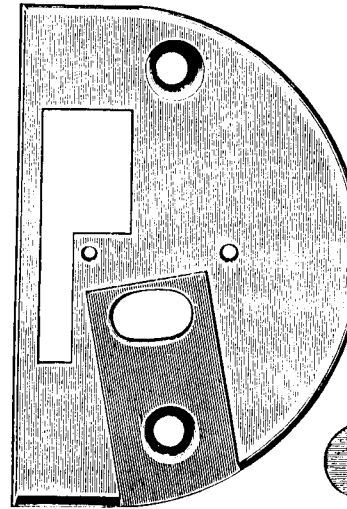
85682

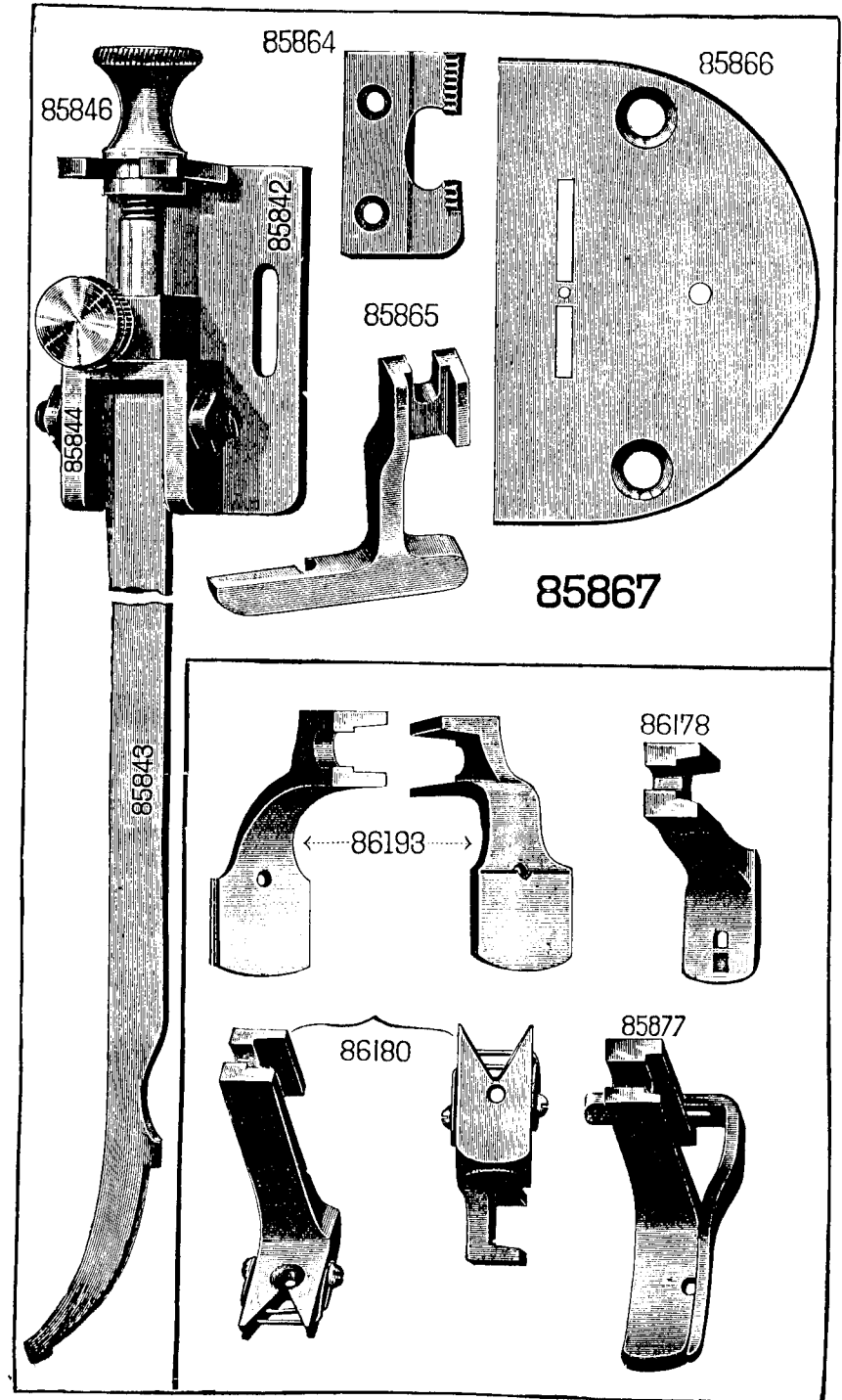
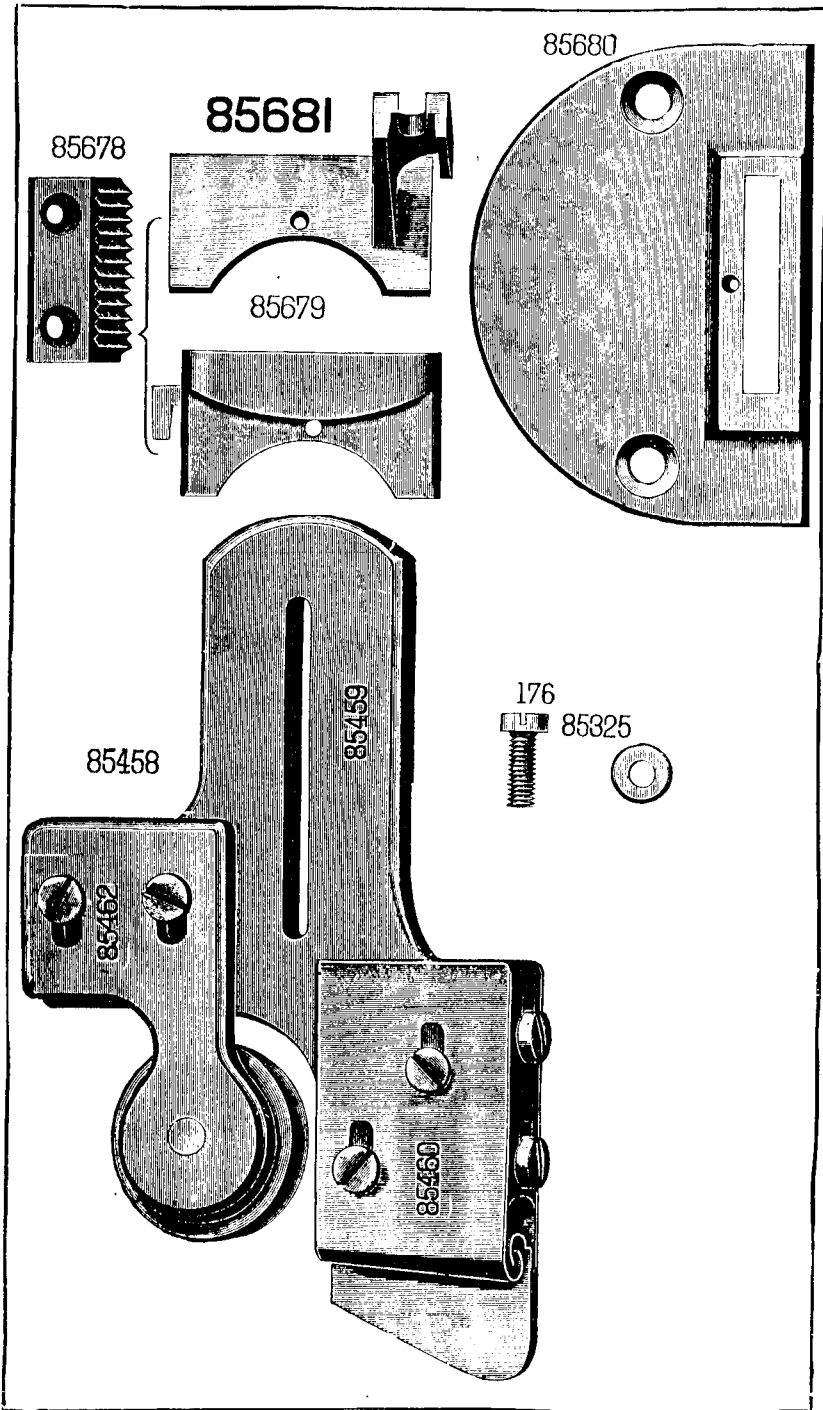


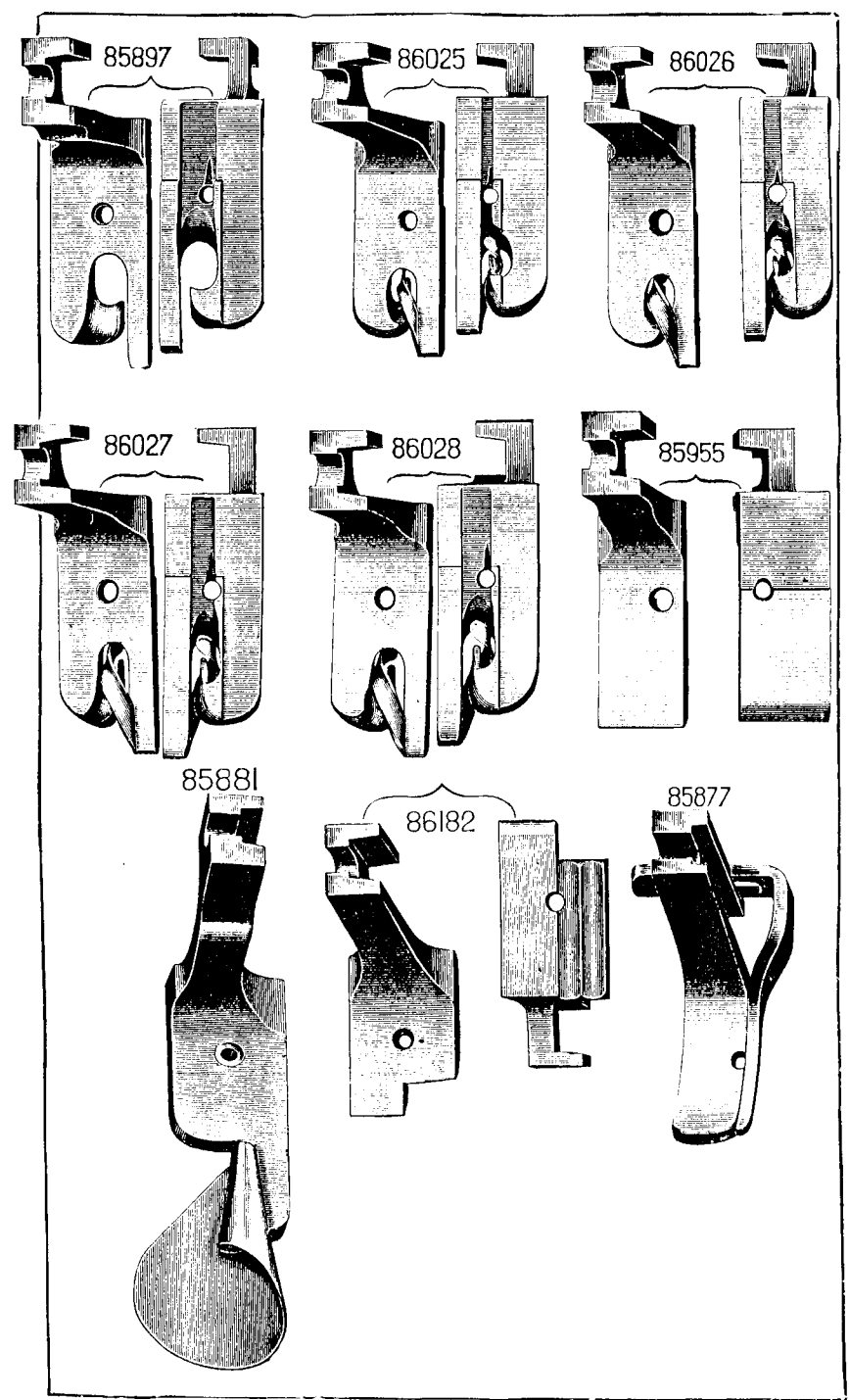
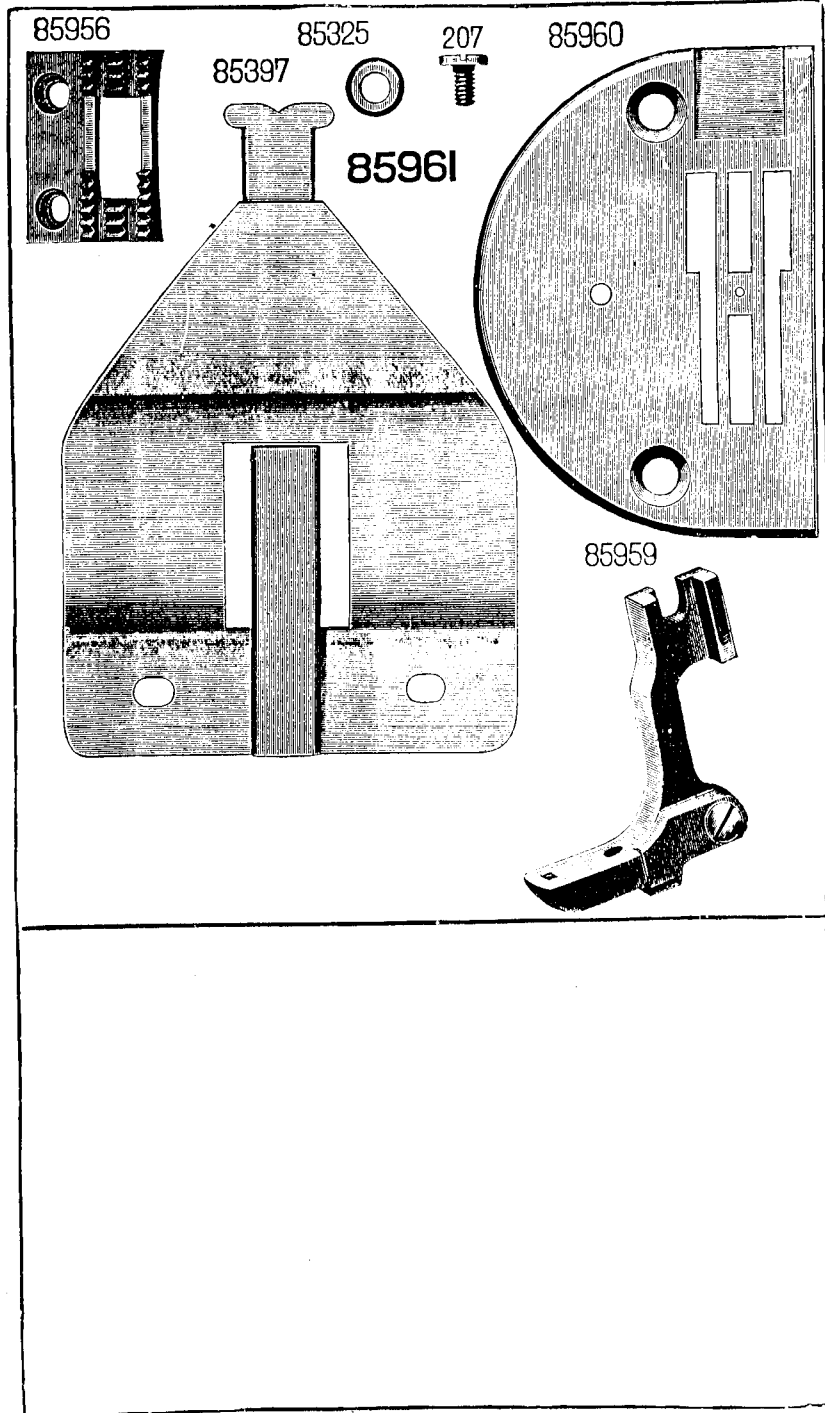
85339

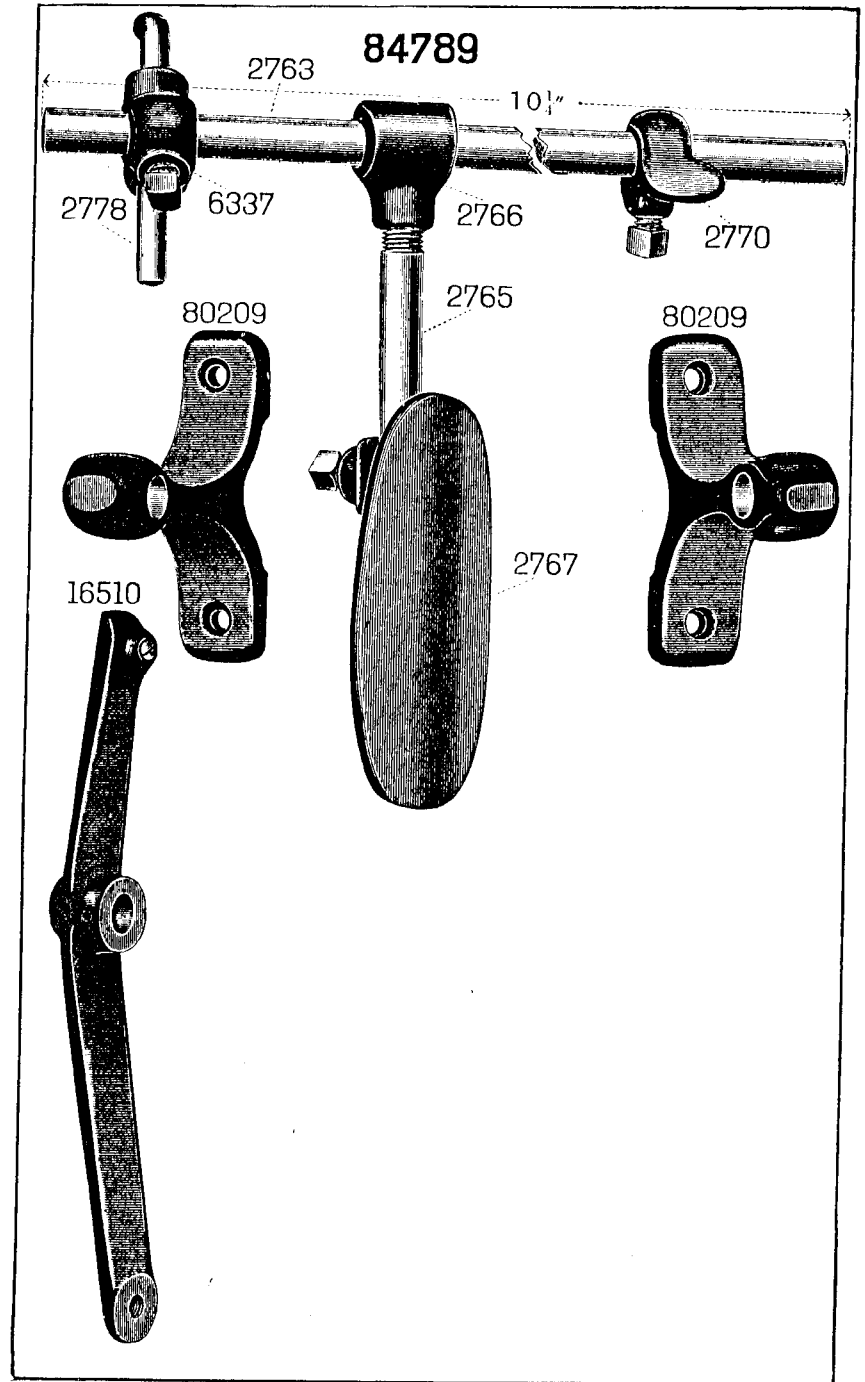
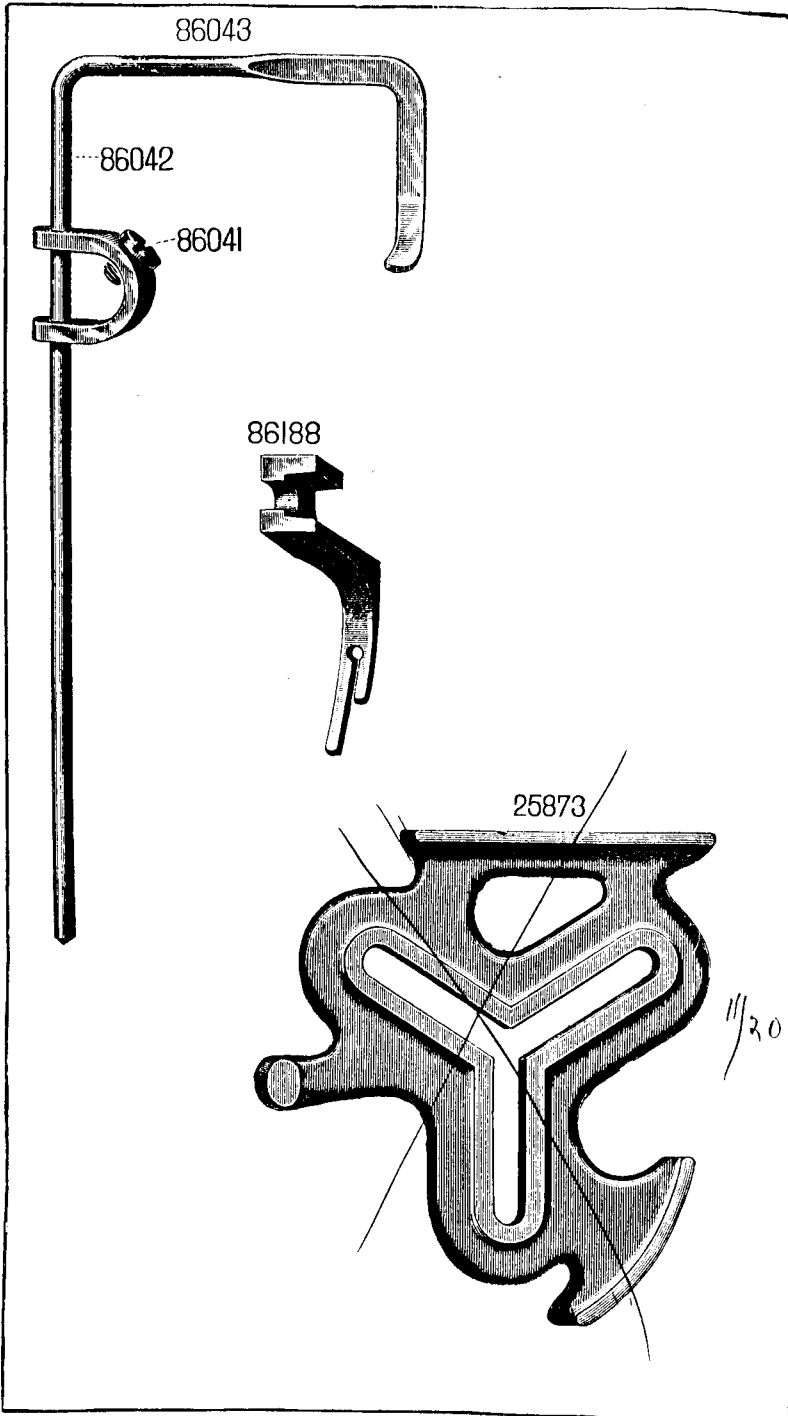
85325

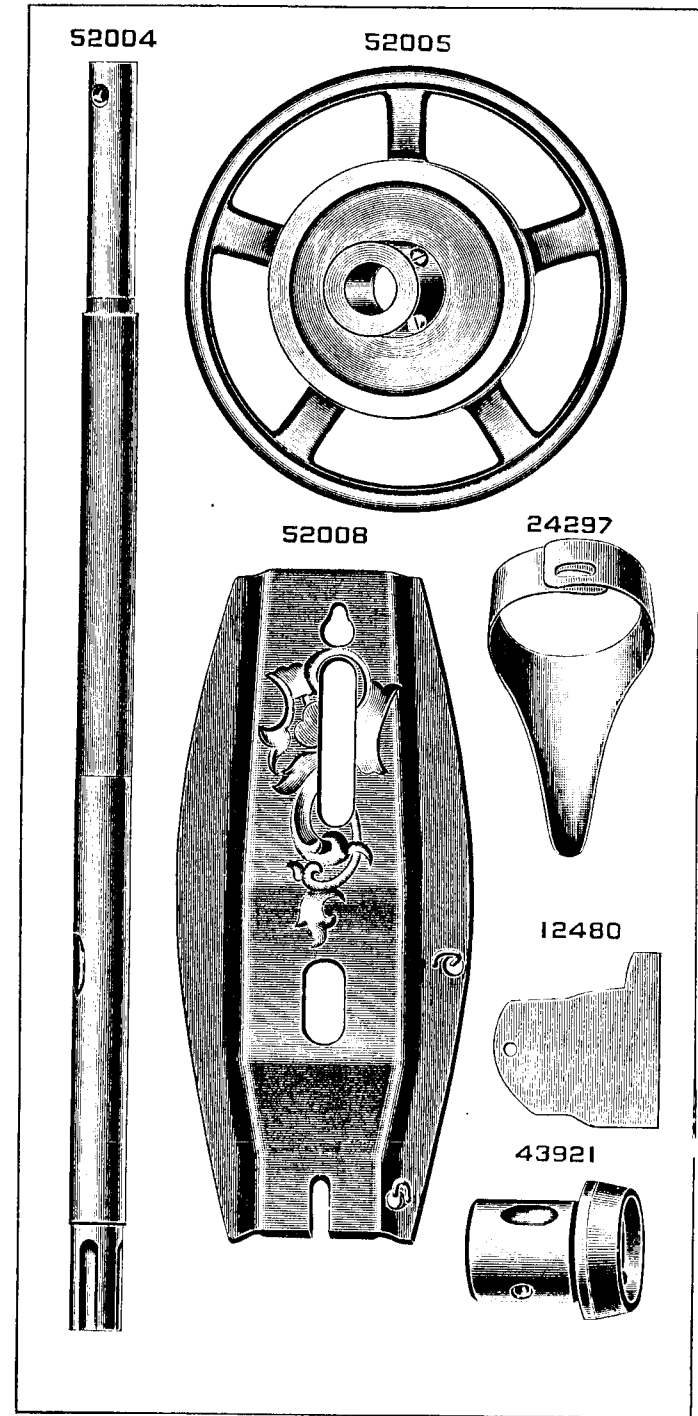
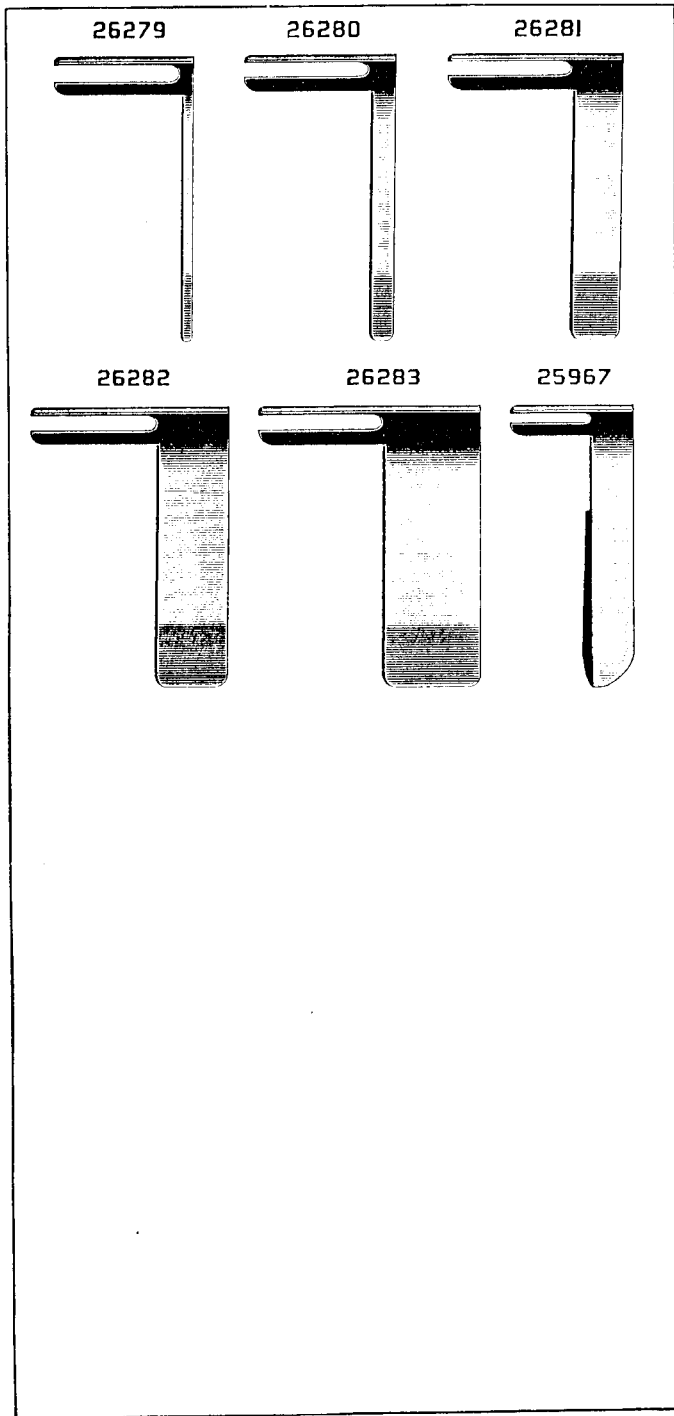
207

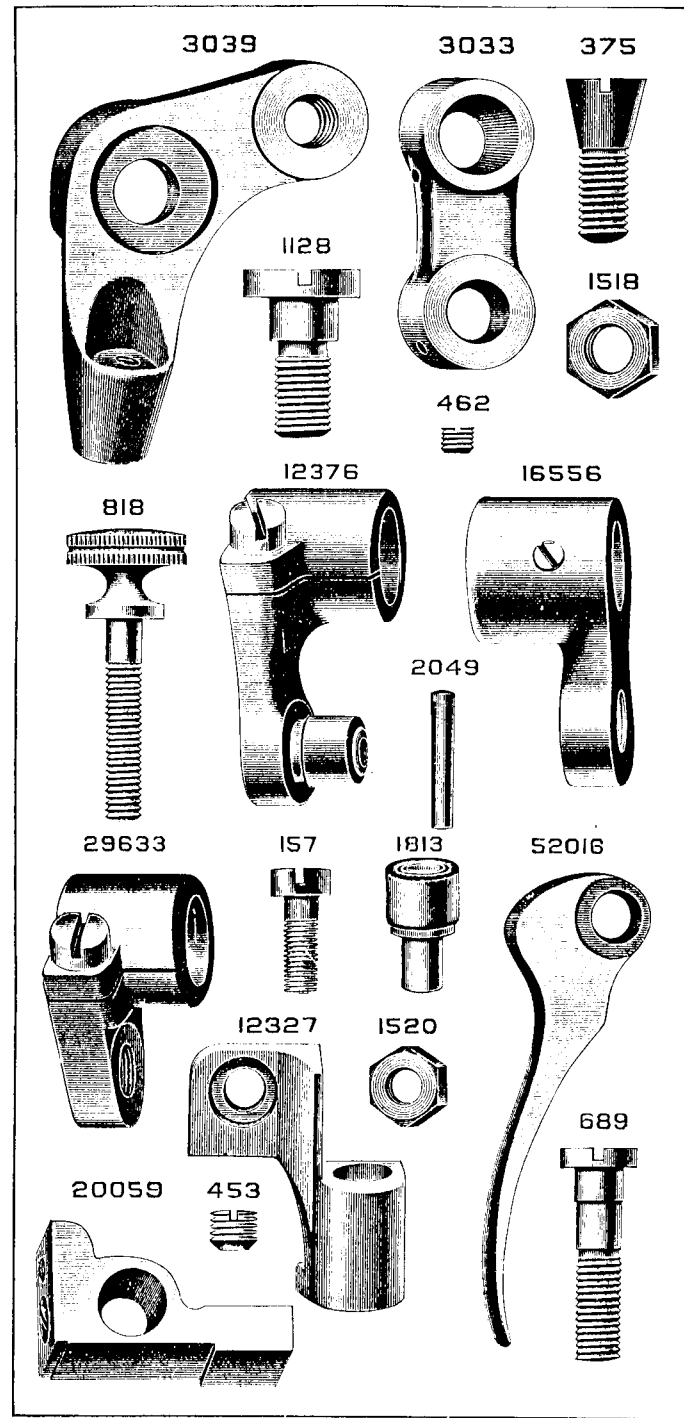
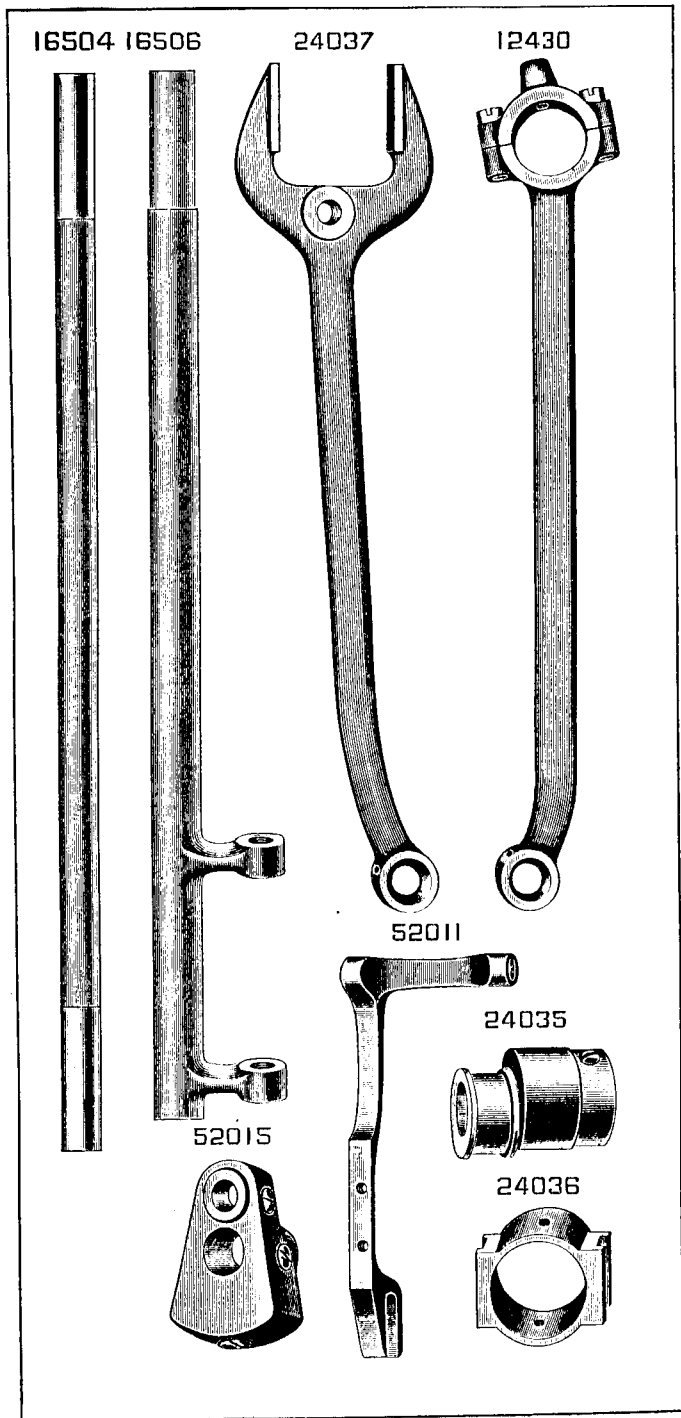


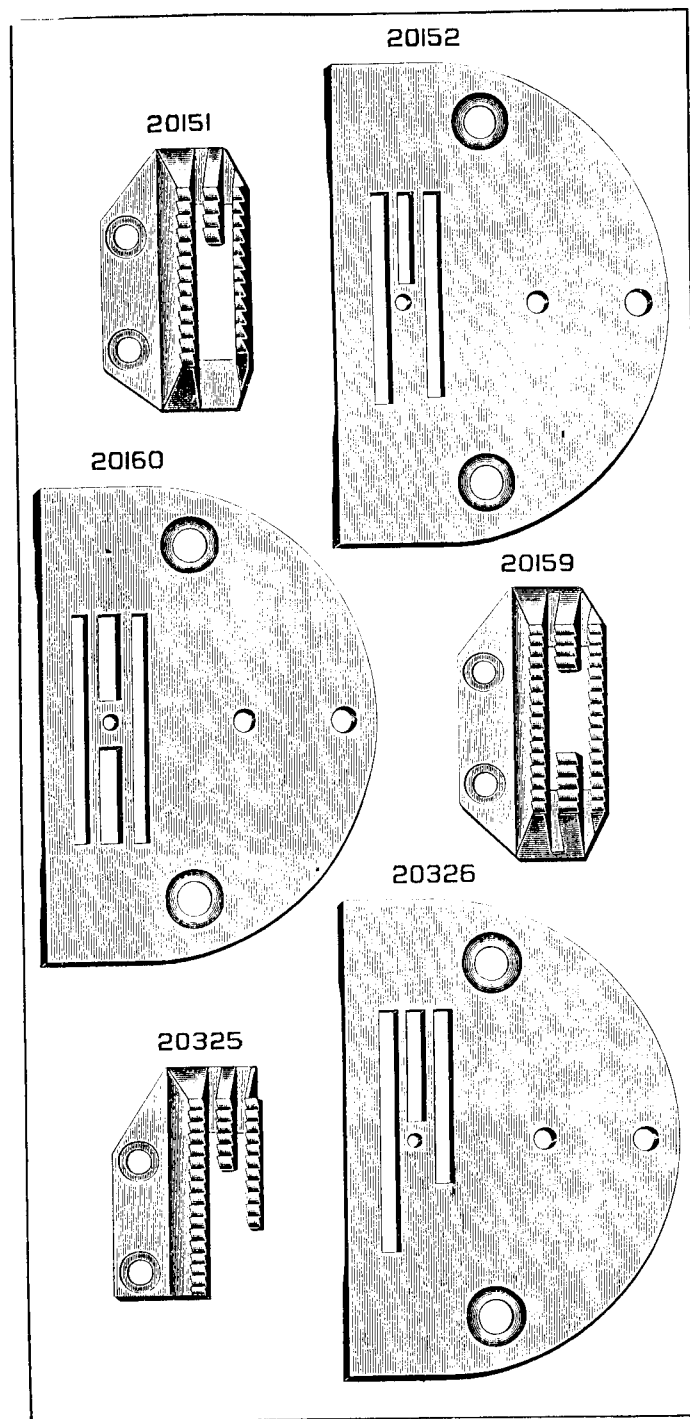
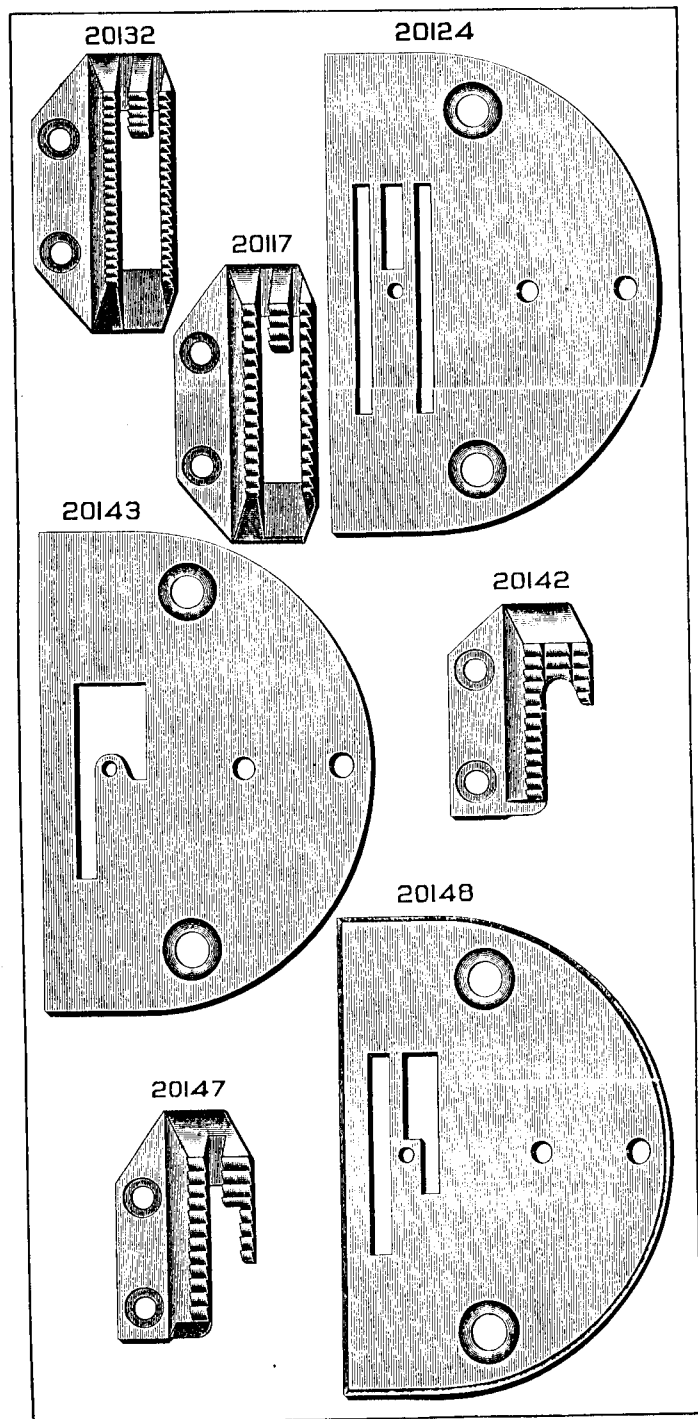


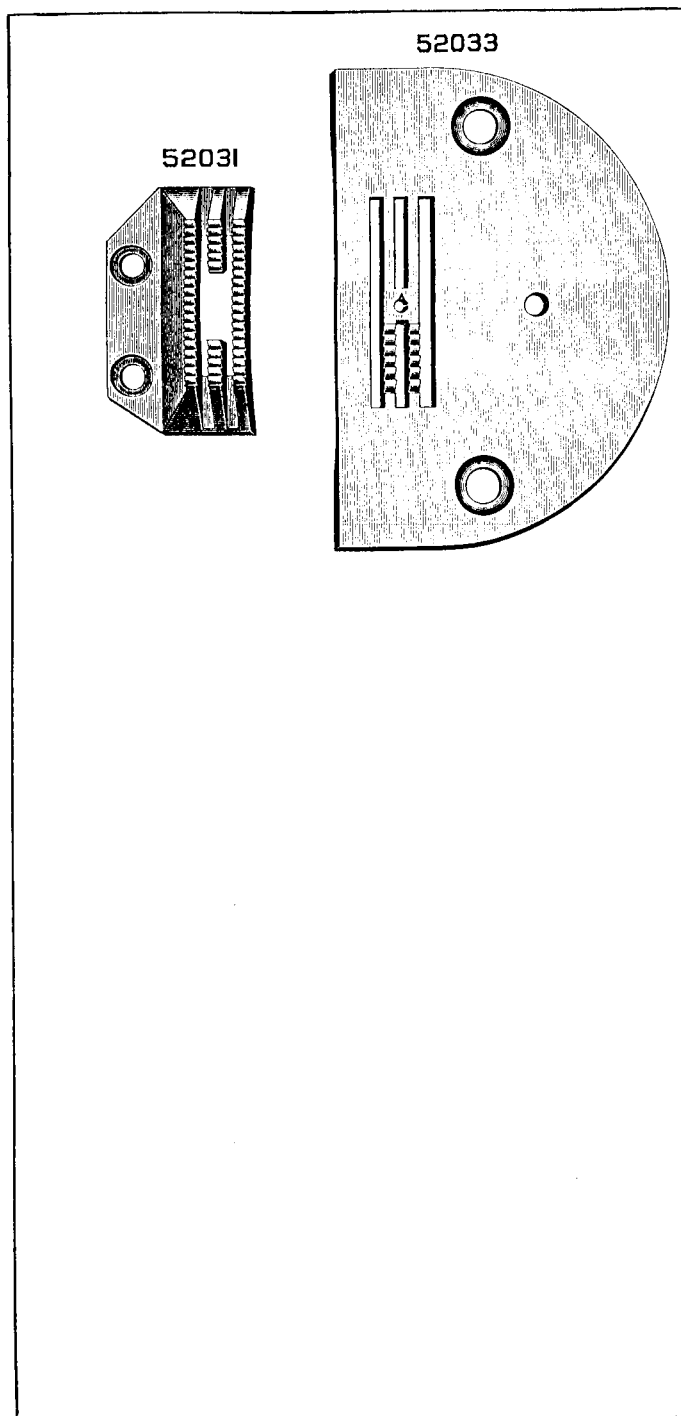
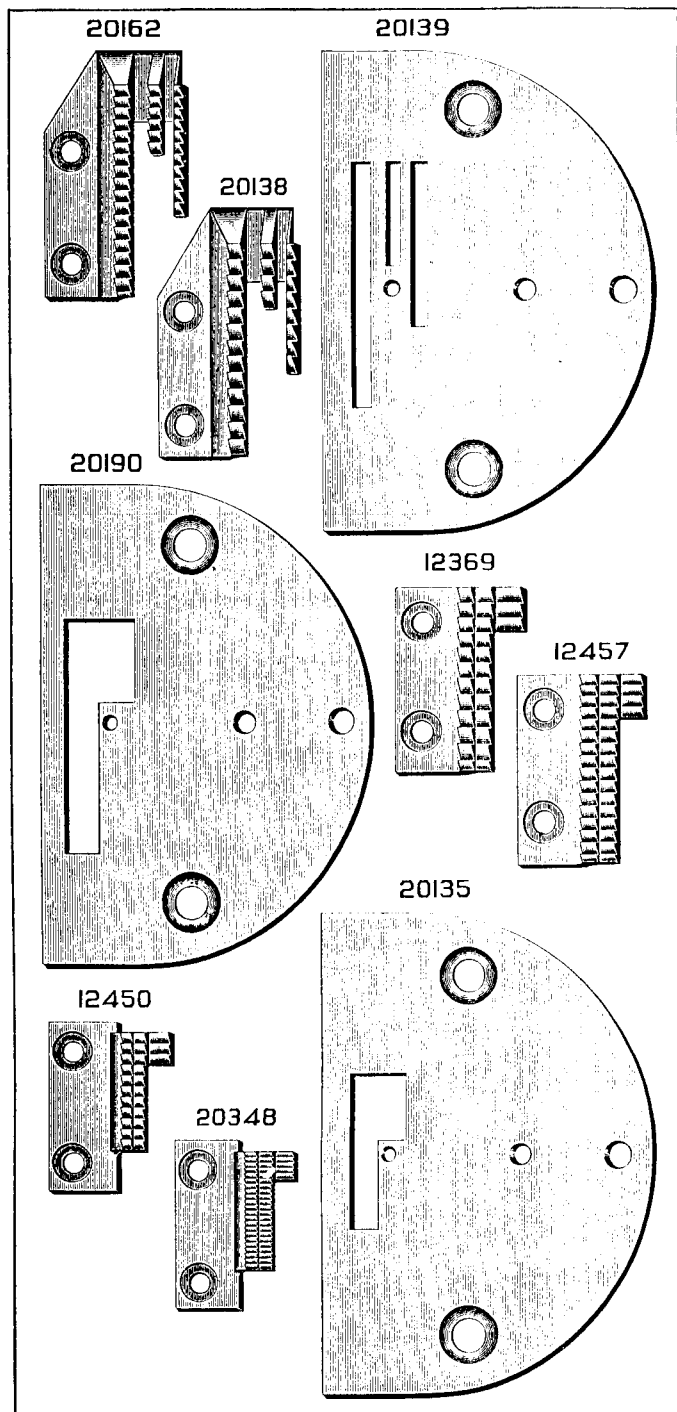


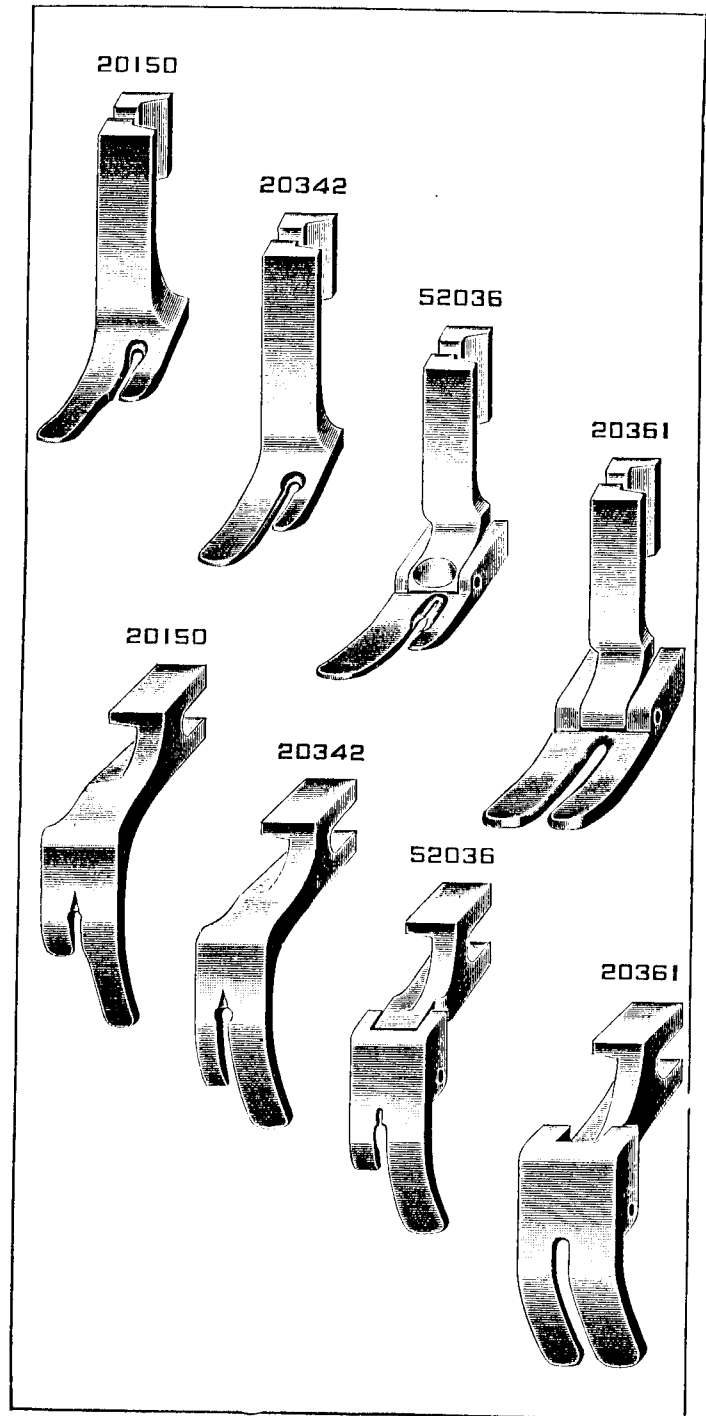
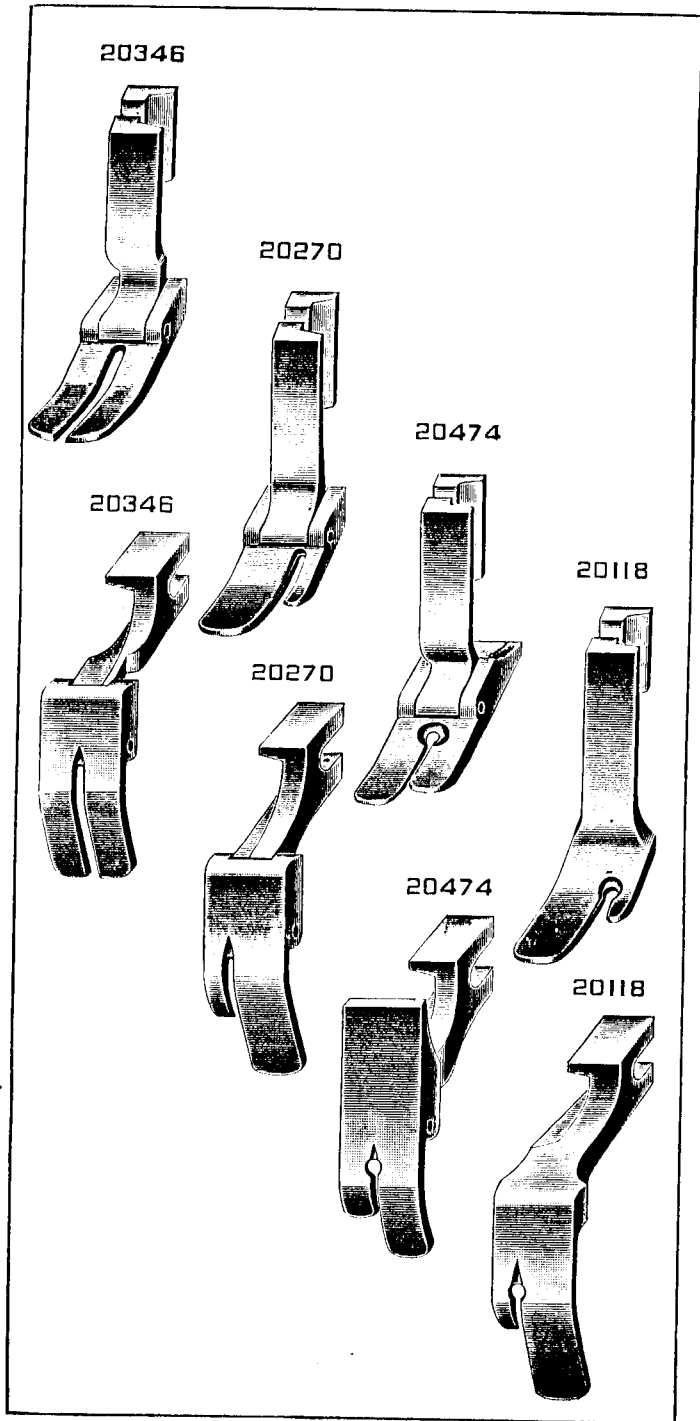


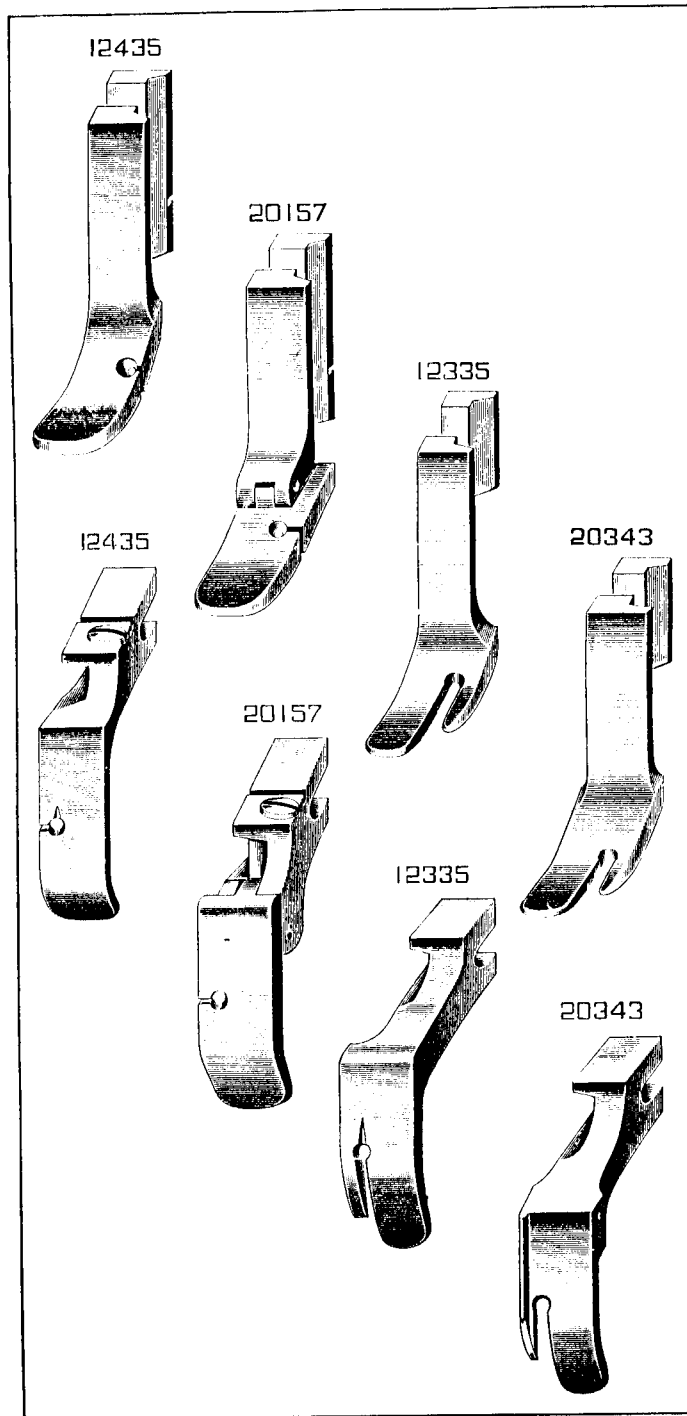
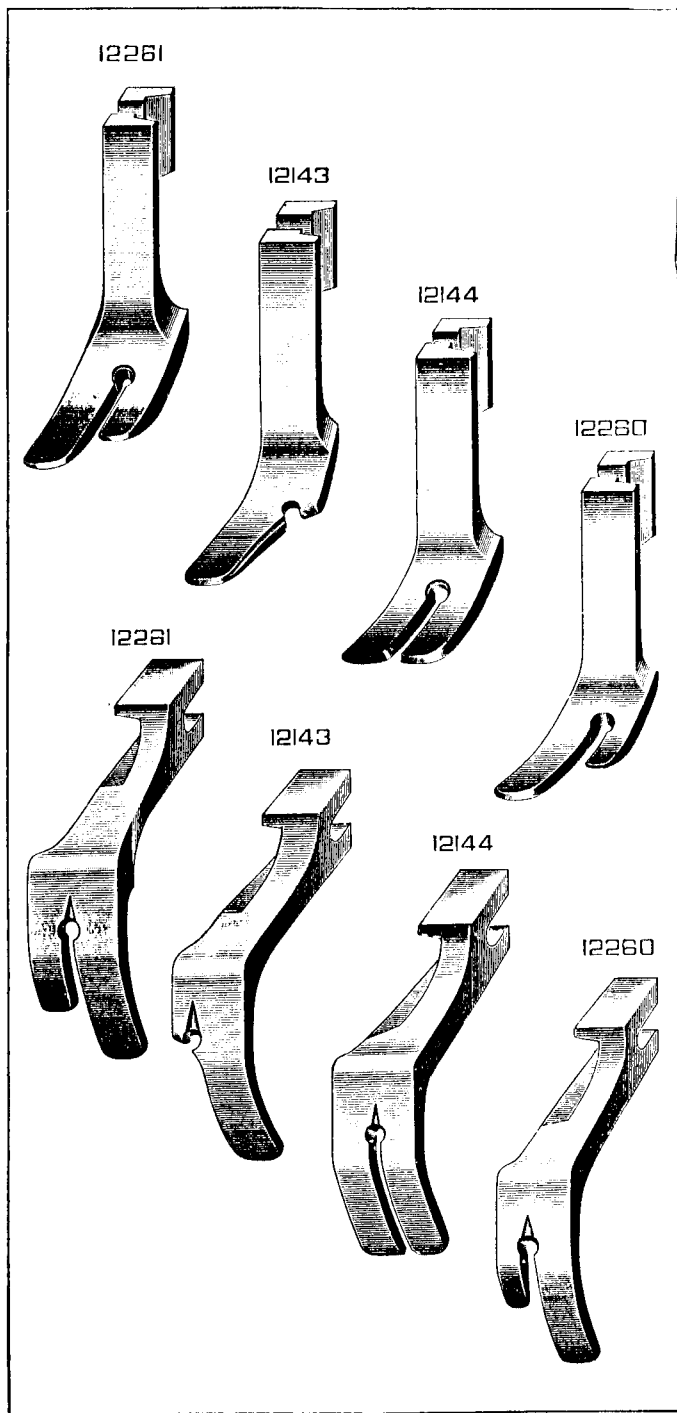


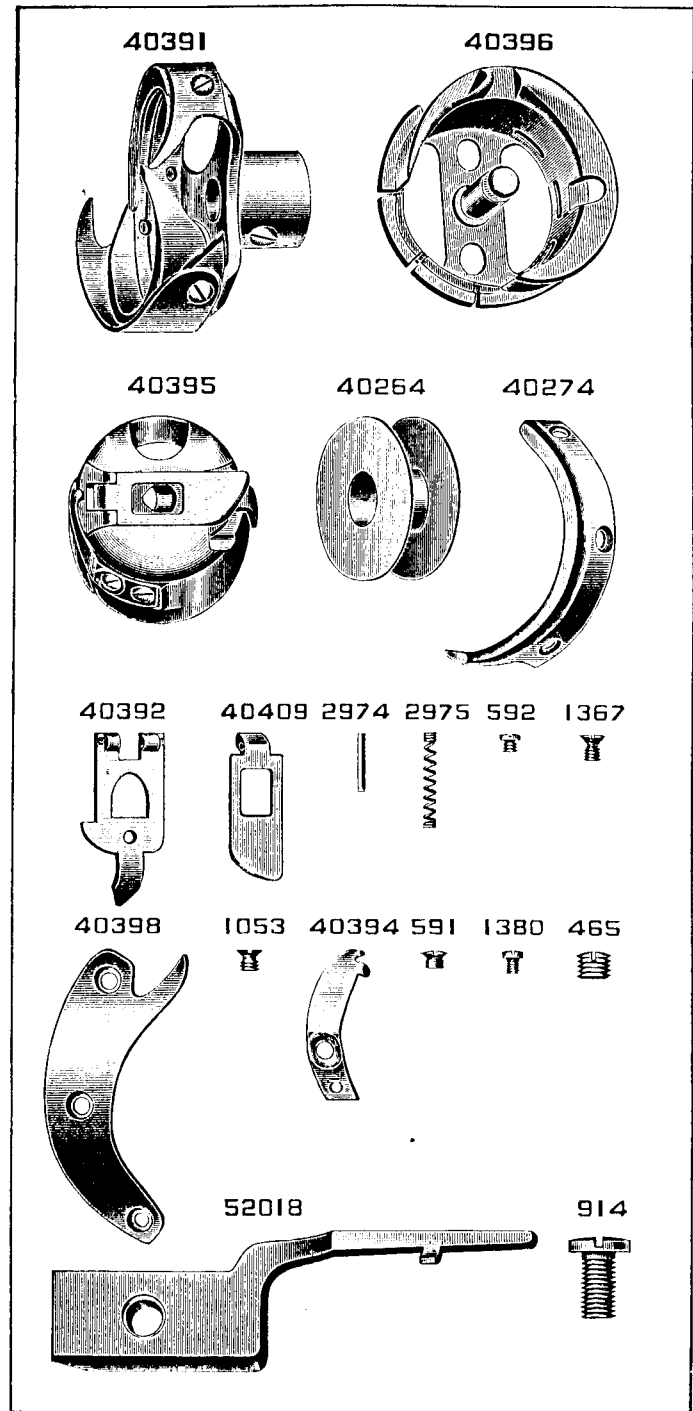
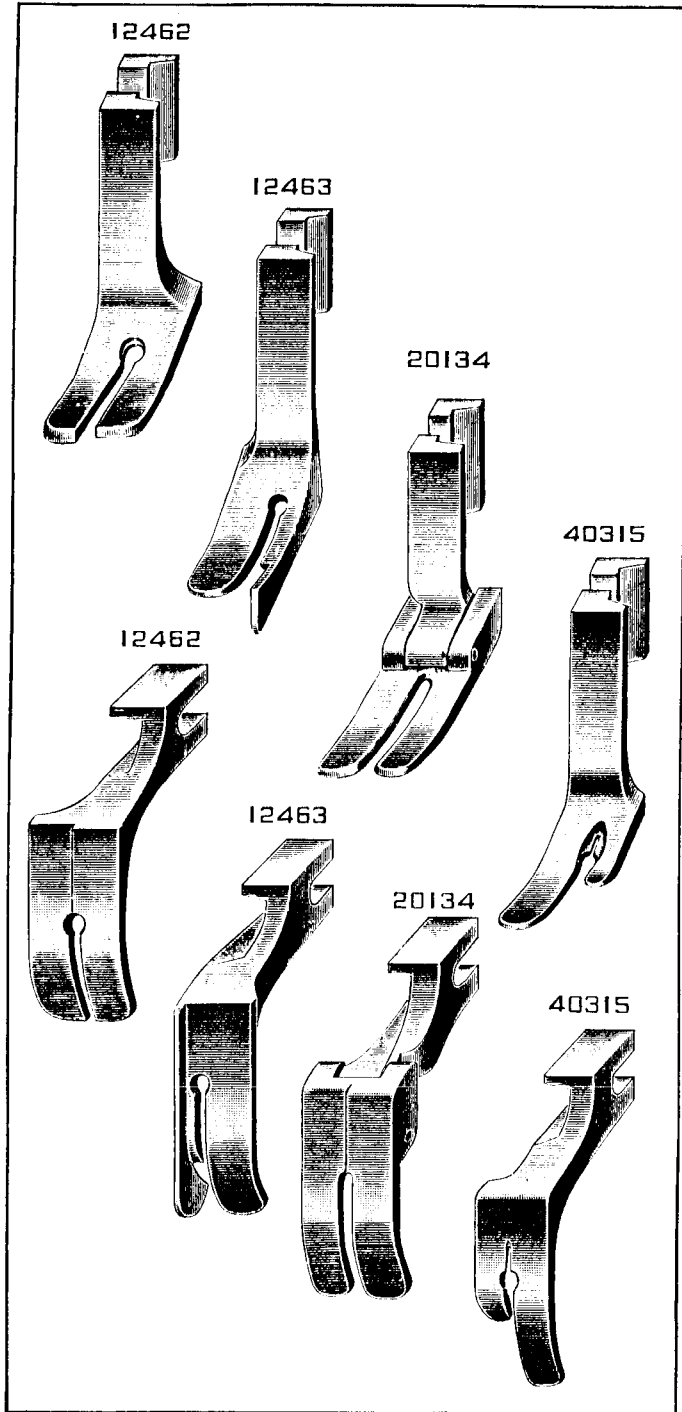


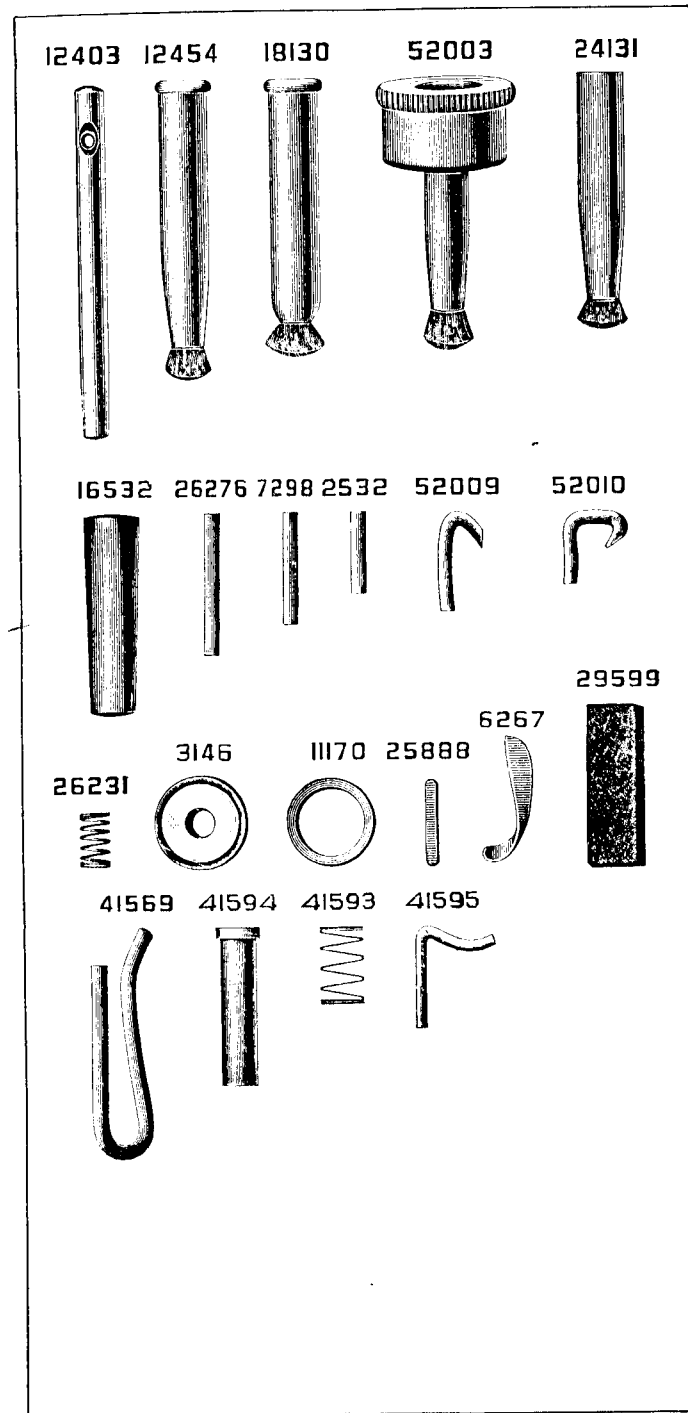
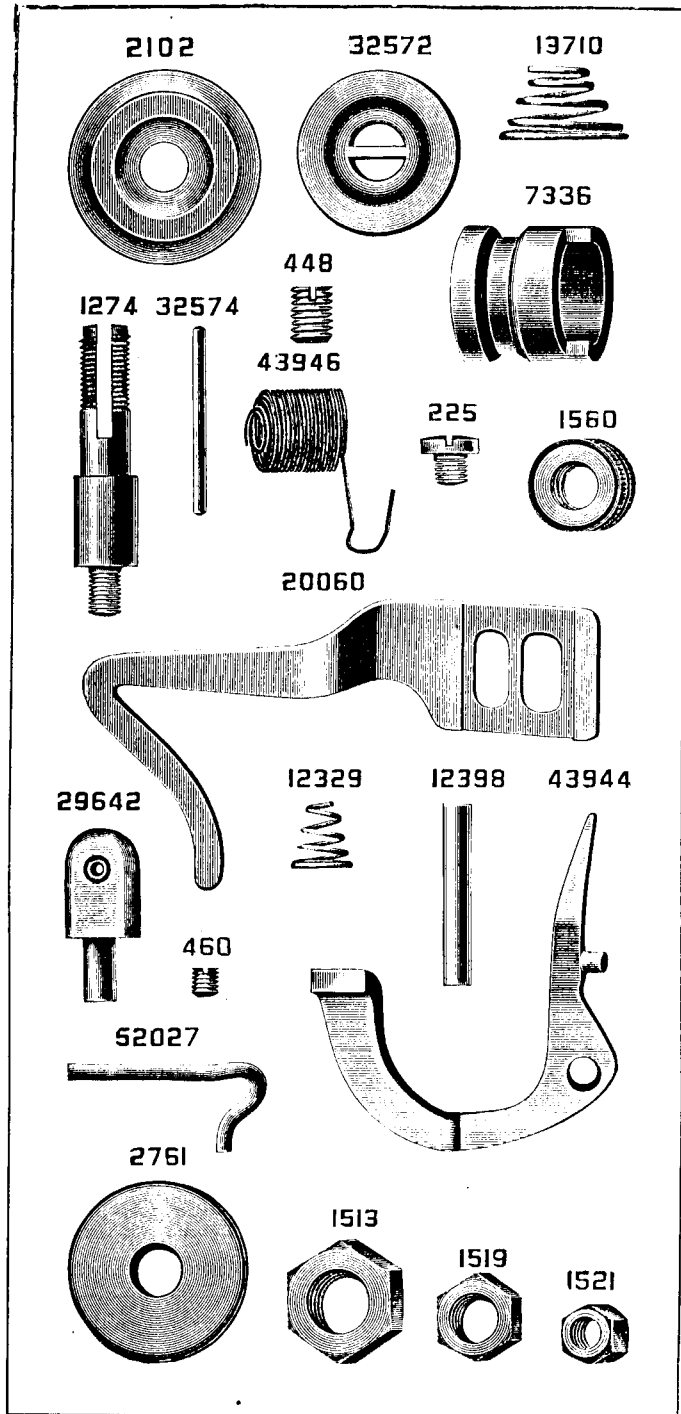


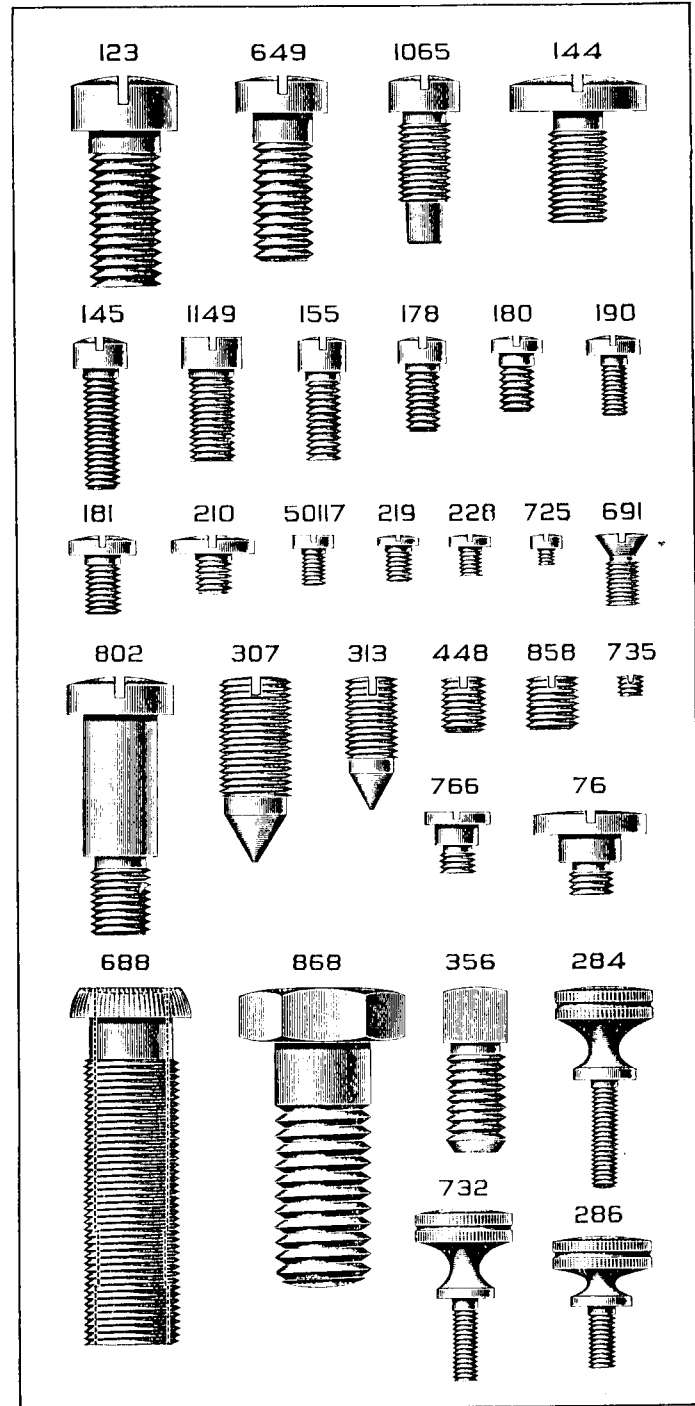
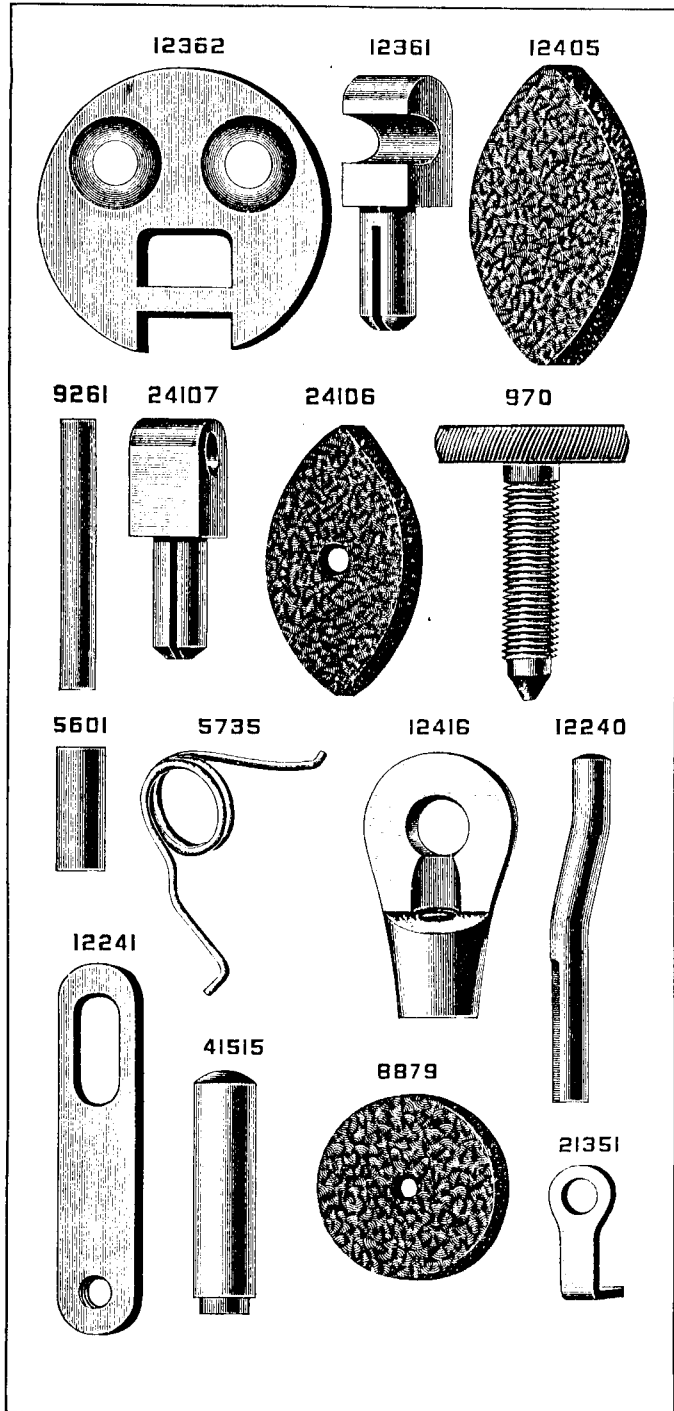




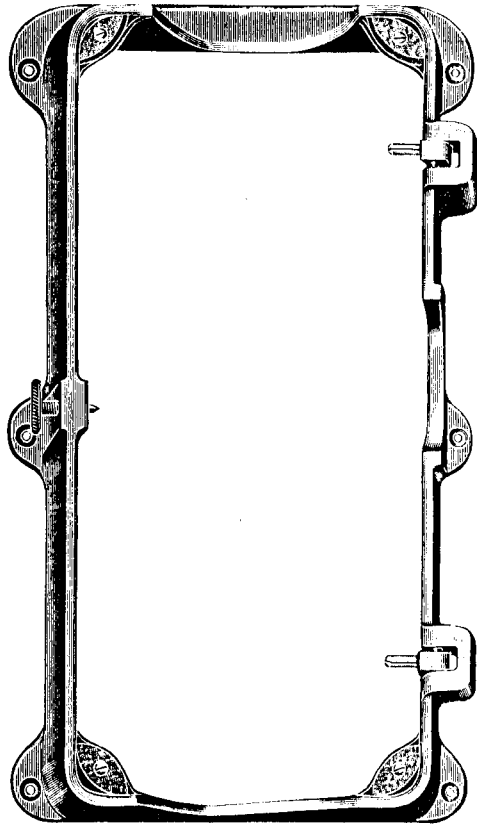




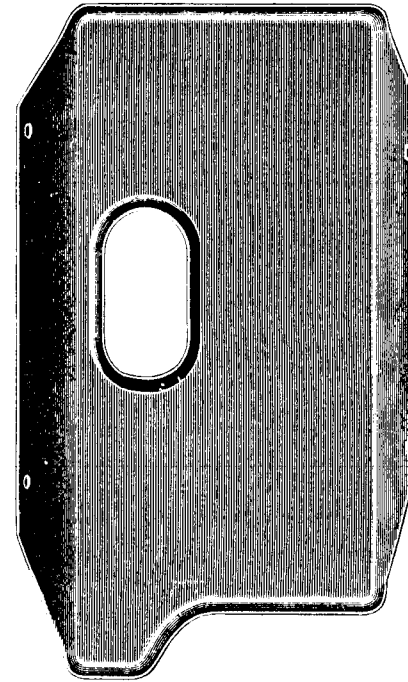


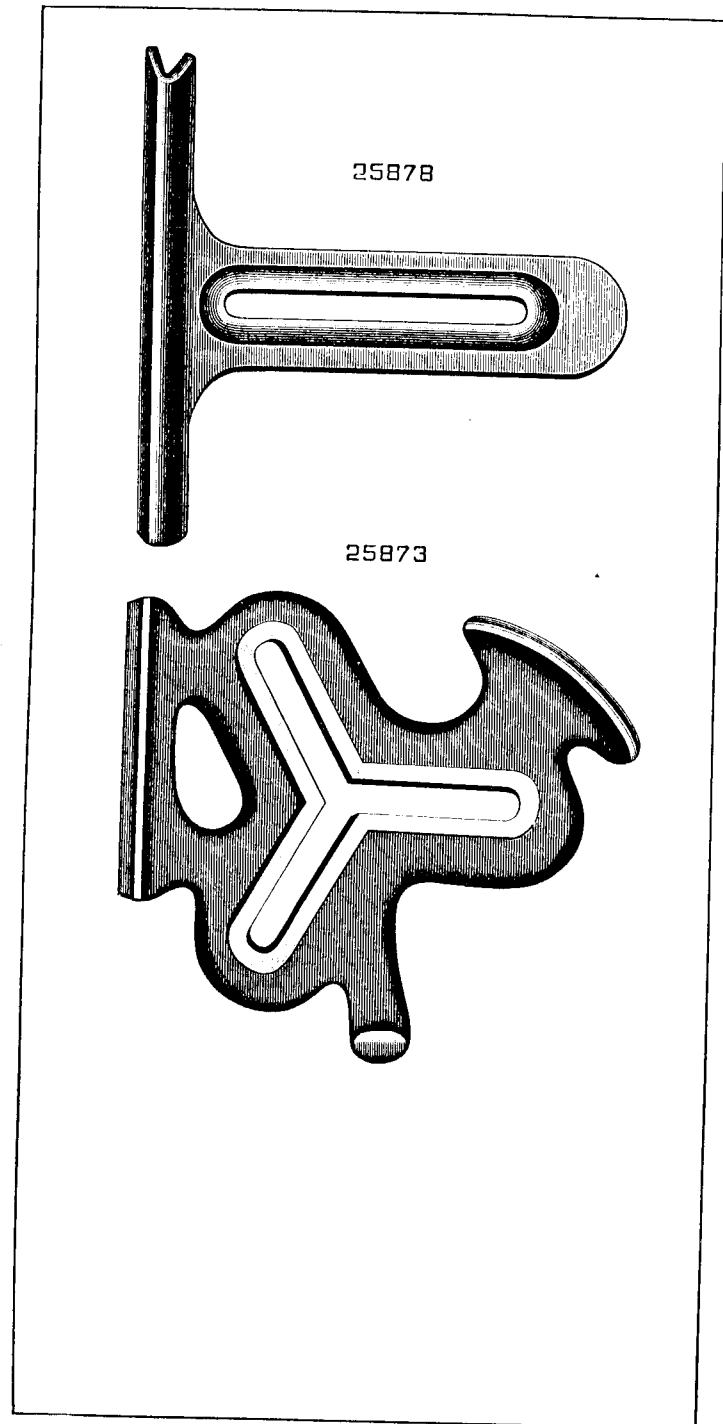
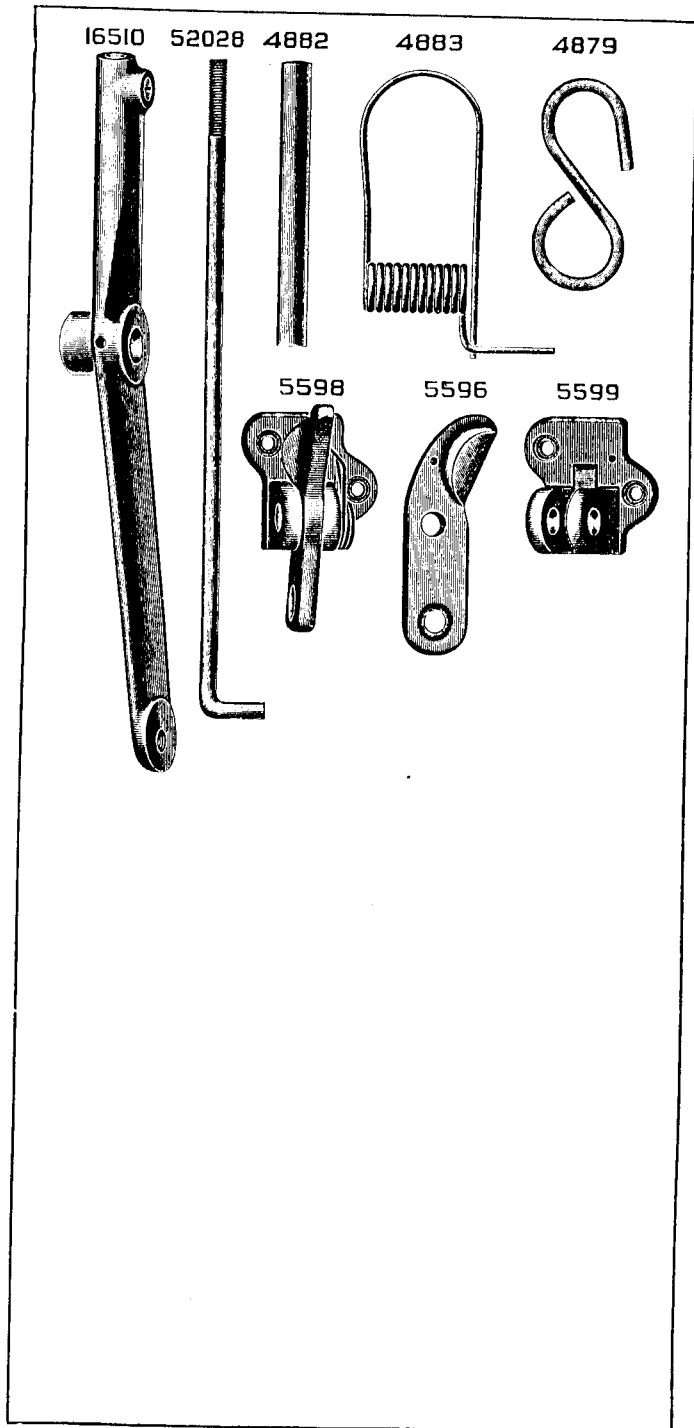


24108

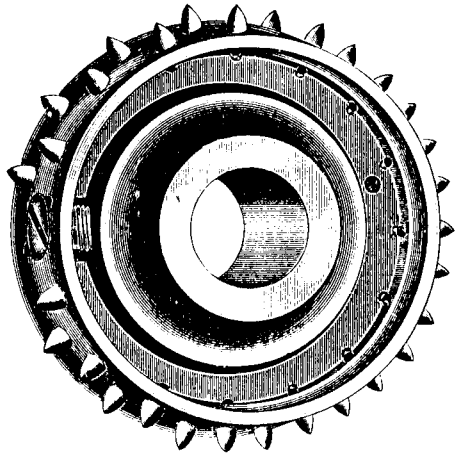


24079

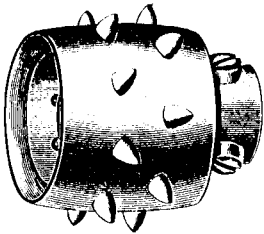




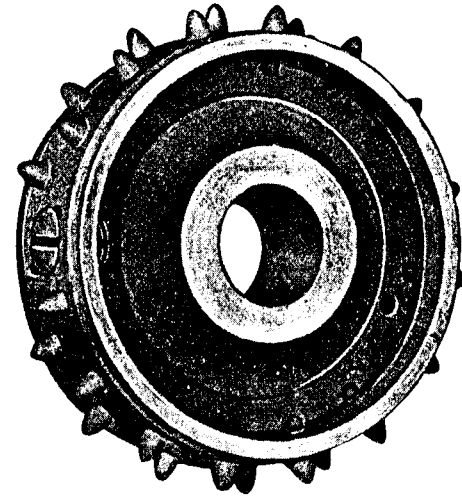
52041



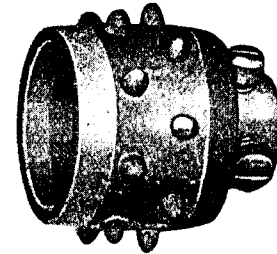
52040



52050

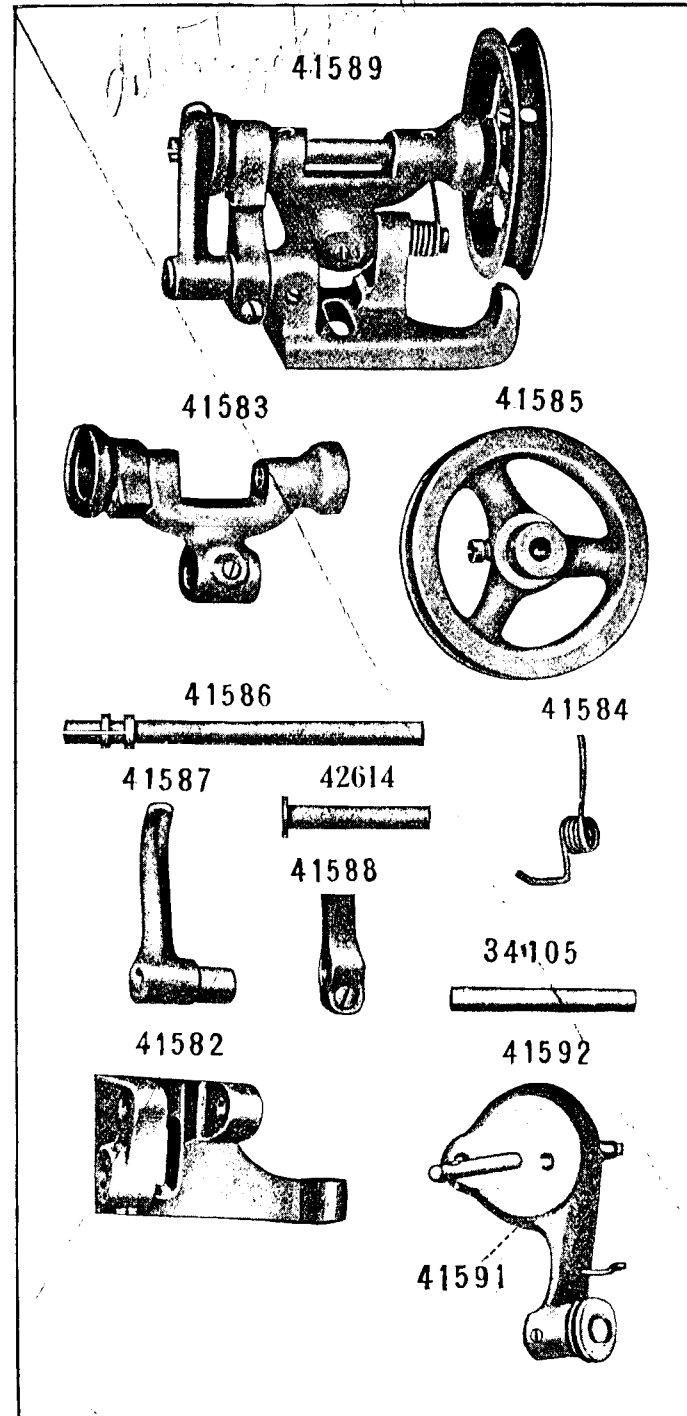
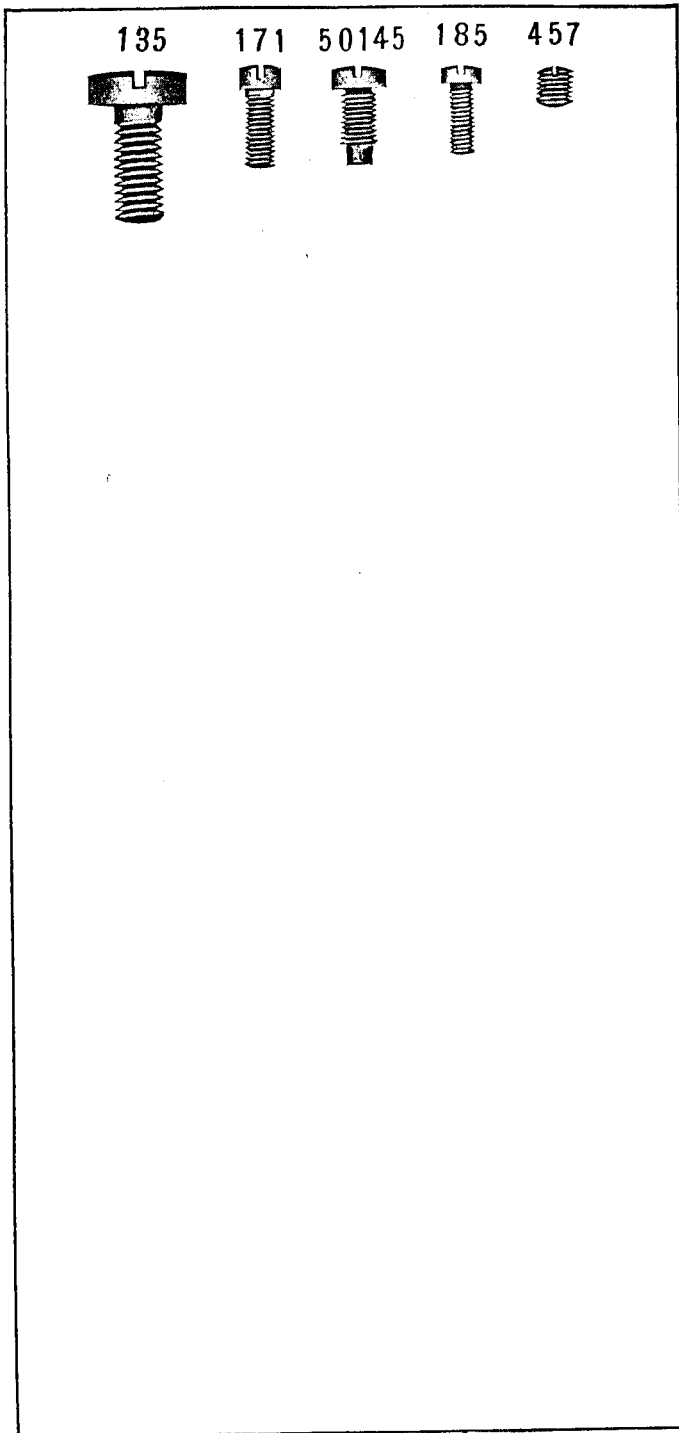


52048



52049

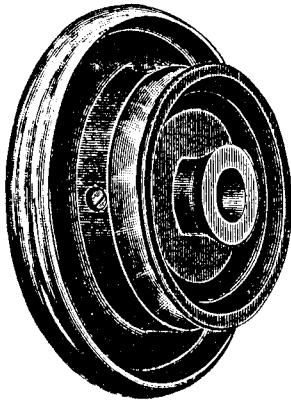




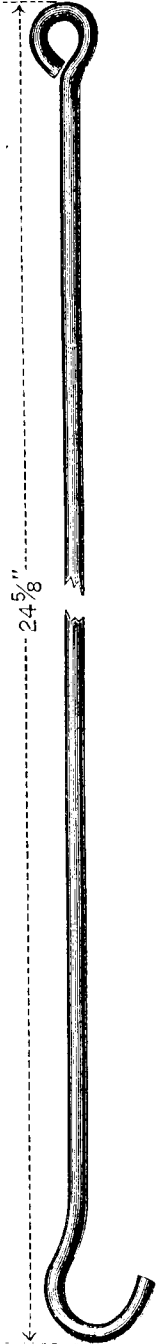
Half Size

PLATE 1530

52140



46686



24 5/8"

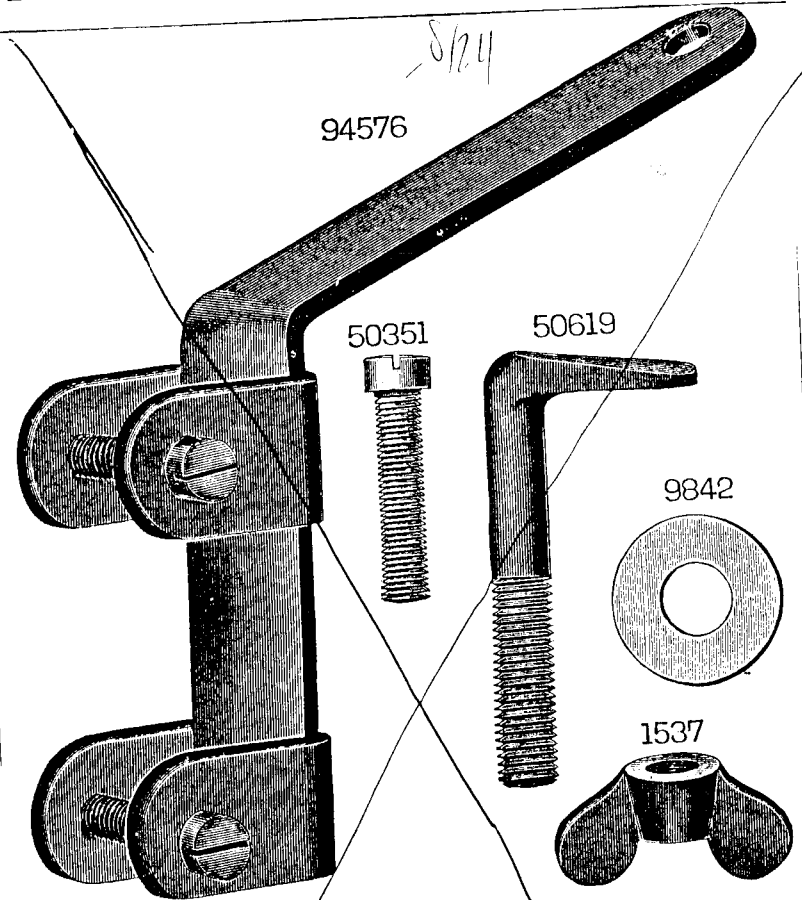
6/24

PLATE 1537

Full Size

5/24

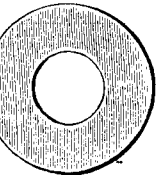
94576



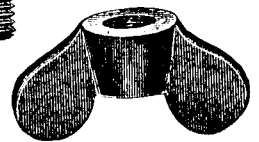
50351

50619

9842



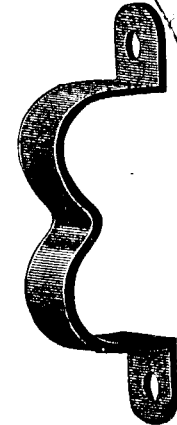
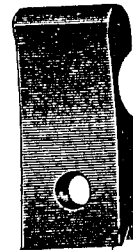
1537



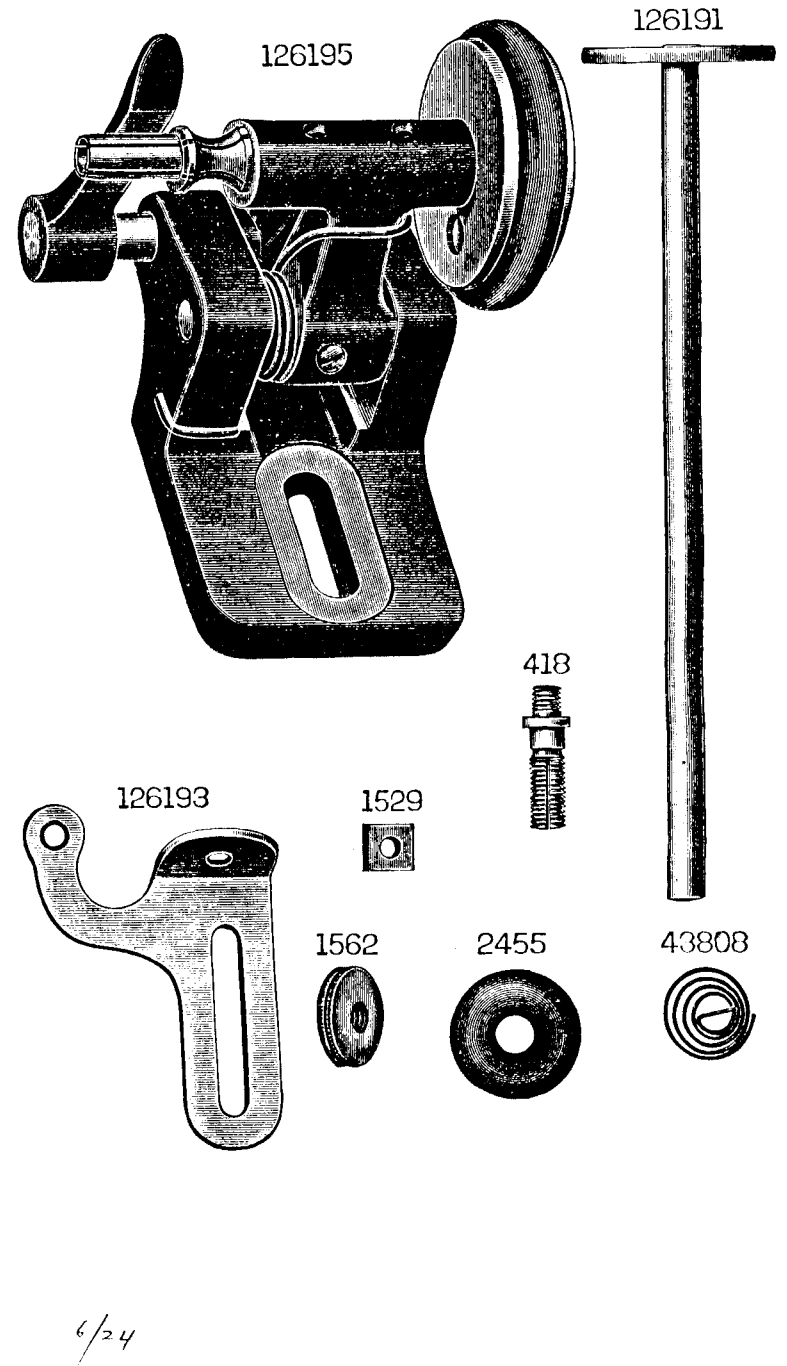
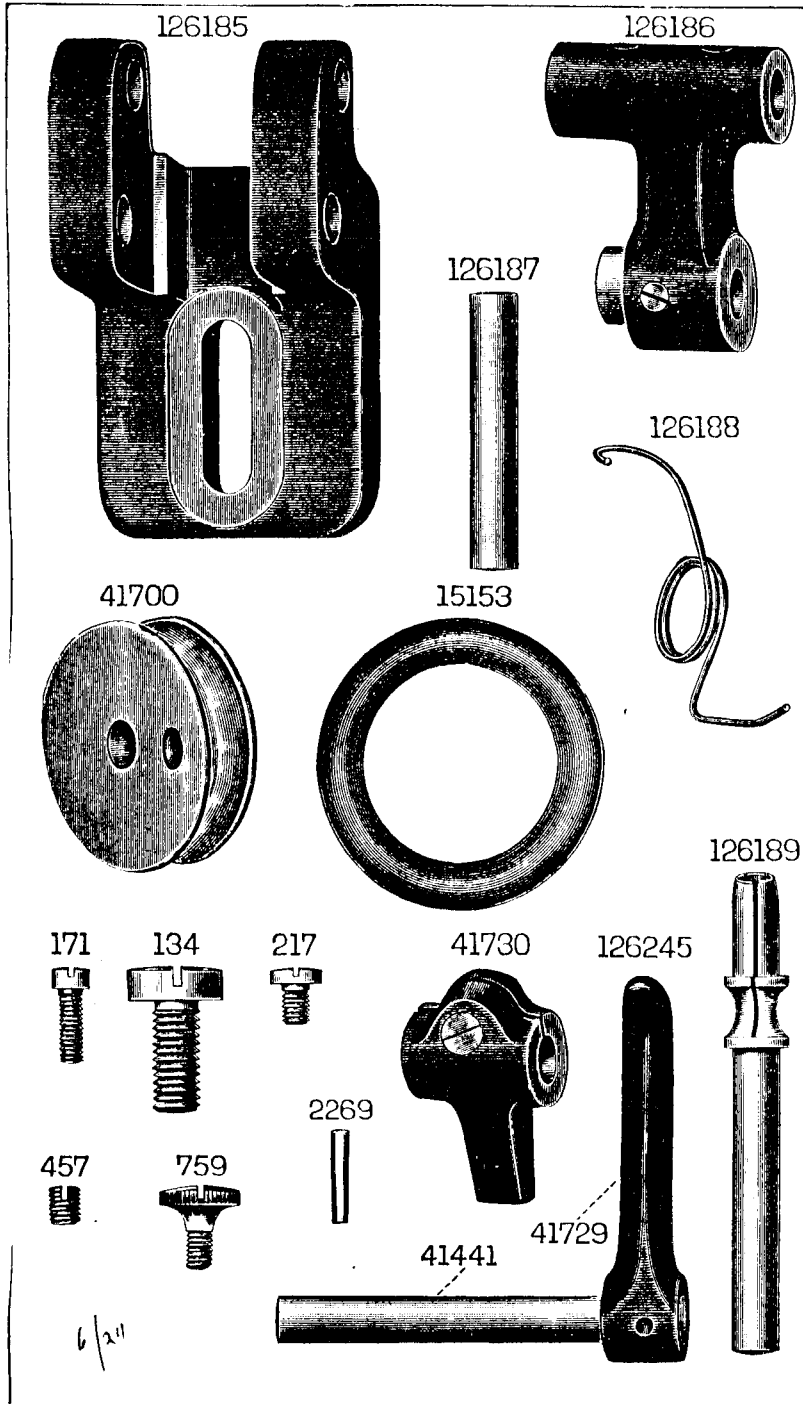
67374

190825

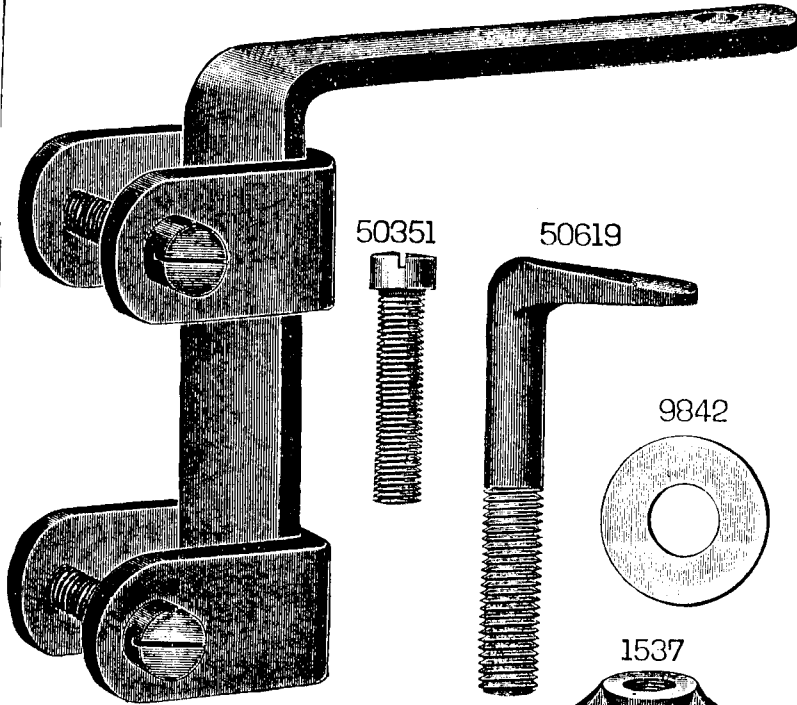
190826



6/24



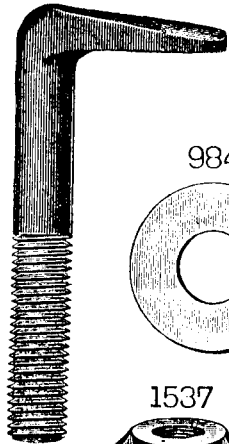
46688



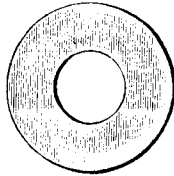
50351



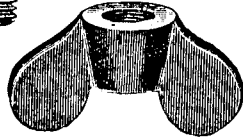
50619



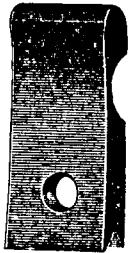
9842



1537



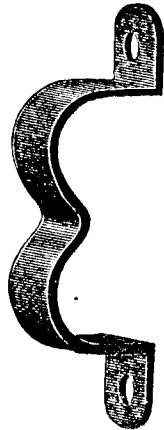
67374



190825

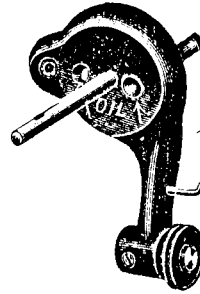


190826



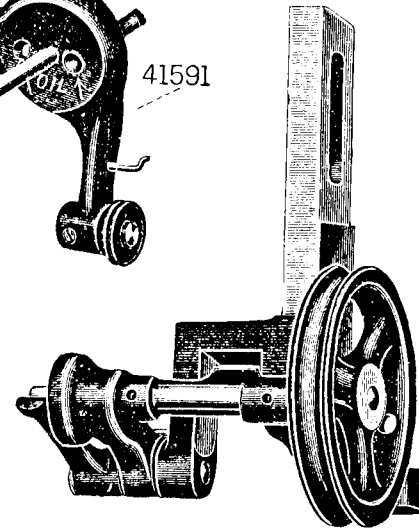
8/24

41592

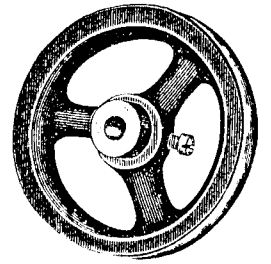


41591

41915



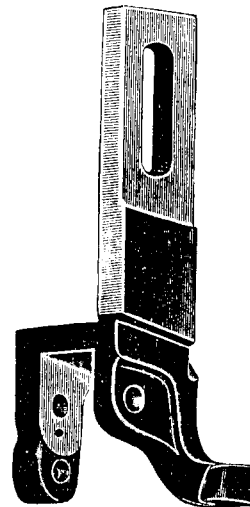
41585



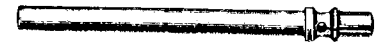
41587



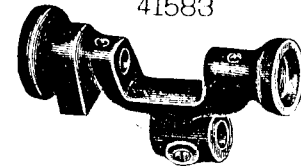
41913



41586



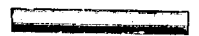
41583



41914



34105



41588

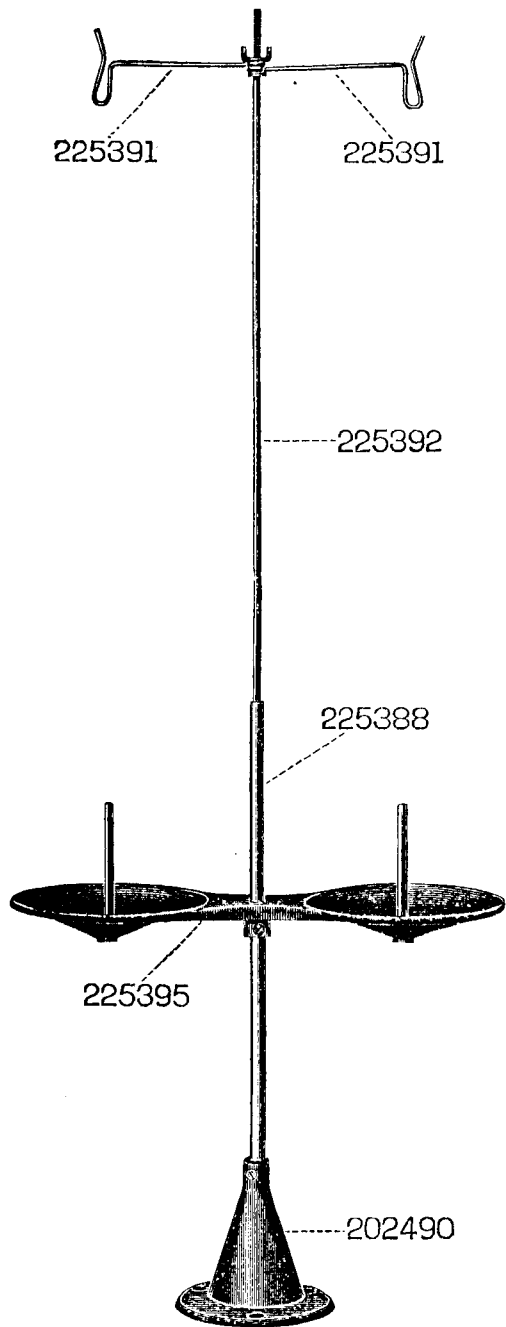


42614

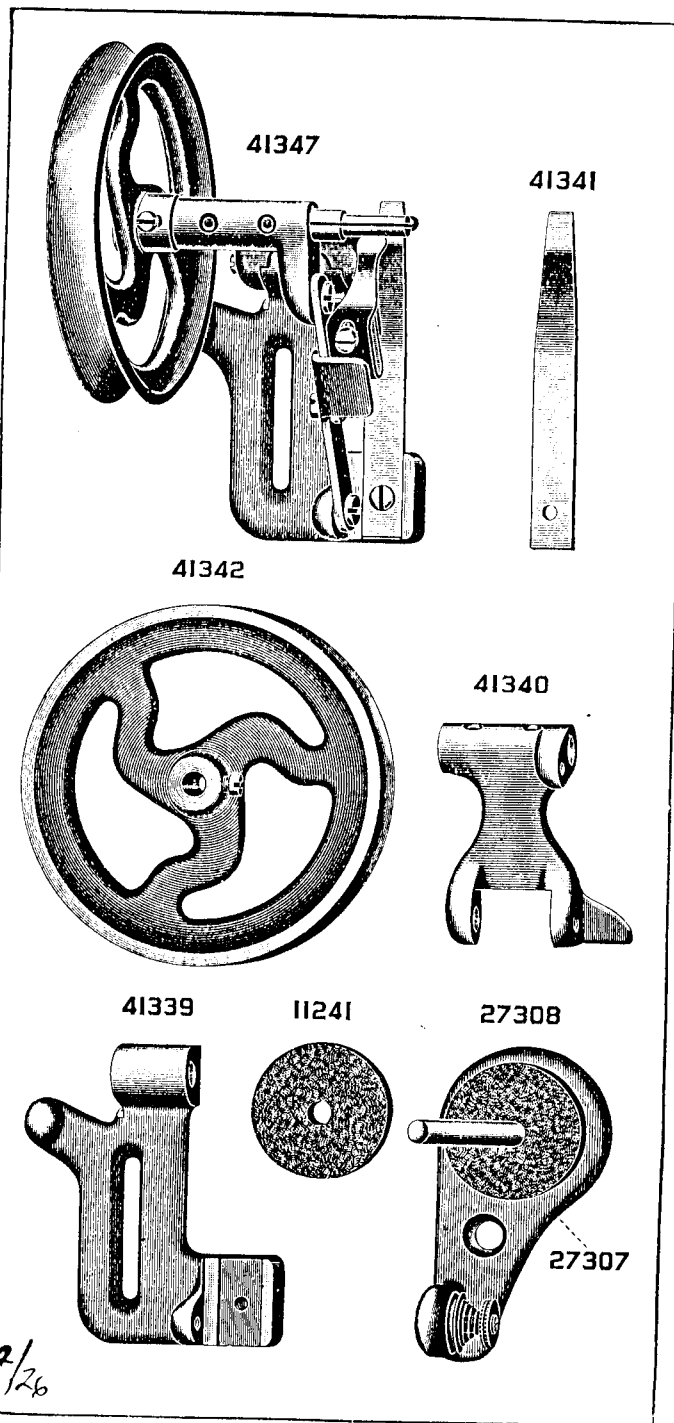


10/24

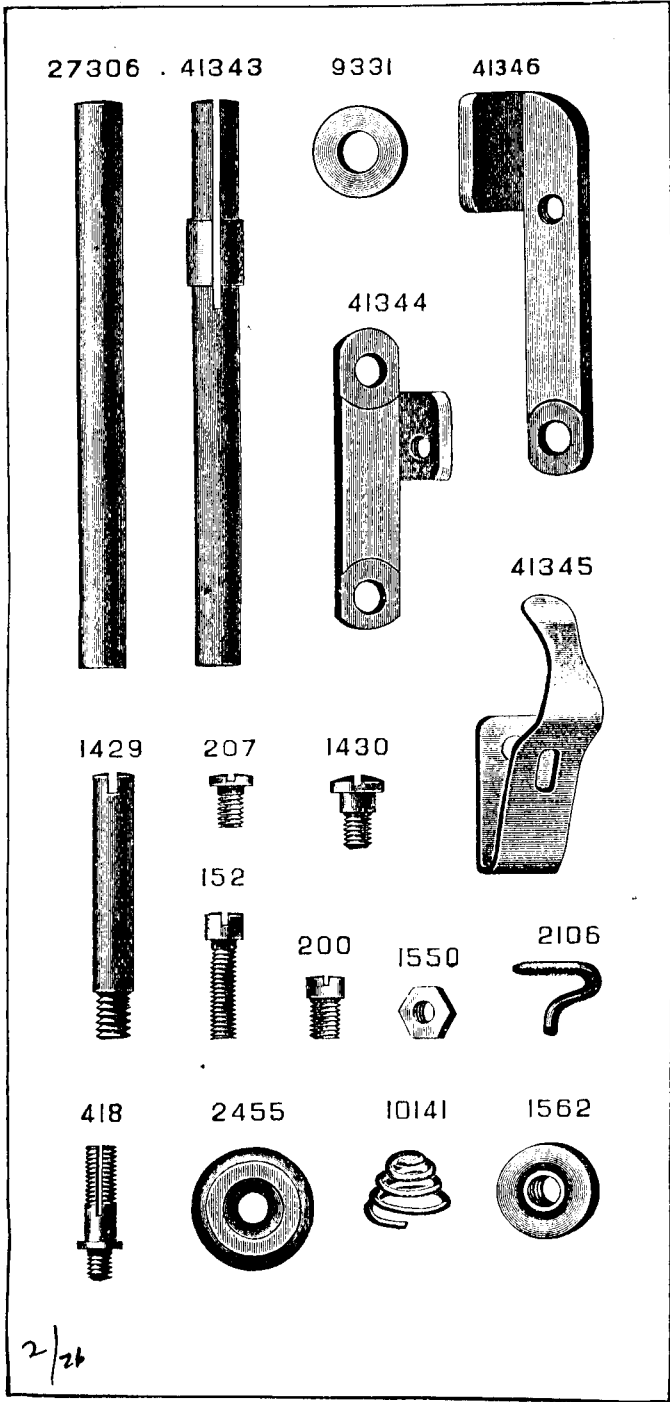
225396



11/25/25



2/26



ILLUSTRATED
PRICE LIST OF PARTS.

FOR

CLASS 95K MACHINES

(95K1 and 95K2).

NEEDLES BEST ADAPTED

FOR

Class 95K MACHINES.

Machines.	Needles.	Remarks.
95K1, 95K2	88 × 1	

Class and Variety.	Style of Point.	Regular Sizes.
88 × 1	Cloth.	O, B, $\frac{1}{2}$, 1, $1\frac{1}{2}$, 2.

CONTENTS.

	Pages
Parts, complete, for 95K1 Machine	57 to 62
Parts Special to 95K2 Machine	63 and 64
Accessories	64
Attachments	65 to 71
Bobbin Winder... ..	72
Iron Base	64
Knee Lifter	73
Numerical List of Parts	75 to 92
Obsolete Parts	74
Thread Unwinder	74

ILLUSTRATED PRICE LIST OF PARTS

FOR

Nos. 95K1 and 95K2 Machines.

In ordering from this List, the prefix and affix letters with the part number **MUST BE** quoted exactly as they are shown in the first column.

A number always indicates the same part in whatever List it may appear, or for whatever machine.

The prefix *SS* indicates Screws made only at Singer.

" " *NN* " Nuts made only at Singer.

" " *RR* " Rollers and Studs made only at Singer.

The affix letters (where shown) indicate the style of finish, as follows:—

- A. Hardened, Polished and Plated.
- B. Polished and Plated.
- C. Hardened only.
- D. Polished only.
- E. Soft, not Polished.
- F. Hardened and Polished.
- H. Blued.
- J. Plated only.
- K. Hardened and Plated.
- L. Brass or Gilt.
- M. Oxidized.

In this series

- 1 to 1500 and 50001 to 51500 are Screw Numbers.
- 1501 " 1800 are Nut Numbers.
- 1801 " 2000 " Roller " "
- 2001 " 50000 are numbers of machine parts, etc.
- 80001 " 100000 are numbers of machine parts, etc.,
made only at Singer.

Parts marked with an asterisk () are furnished only when the repairs are made at Factory.*

PARTS COMPLETE

FOR

No. 95K1 Machine

For Light and Medium Weight Fabrics, Maximum Stitch 7 to
the inch. Drop Feed, Bobbin No. 40264.

No.	Plate	Description	Price	
*52001	—	Arm with 11104 <i>obs. sup. by 52079</i> ...	17 8	1/25
16532	979	" Dowel Pin ...	1	
24131	979	" Oil Tube with 29599 for oiling 24036 ...	3	
12454	979	" " " " 29599 " " 52024 ...	3	
18130	979	" " " " 29599 " " 52022 ...	3	
24131	979	" " " " 29599 " " 12430 for 52043 ...	3	1/13
29599	979	" " " Packing (Felt), ... per 100	1 0	
116c 498c	981	" Screw (back) ...	3	1/22
868c	981	" " (front) ...	5	
52004	961	" Shaft ...	4 2	
*11104	—	" " Bushing (front) <i>obs. sup. by 52078</i> ...	10	1/25
43921	961	" " Flanged Bushing (back) ...	1 3	
448c	981	" " " " (") Set Screw ...	1 1/2	
144d	981	" " Screw ...	4	
12480	961	" Side Cap ...	2 1/2	
219d	981	" " " Screw ...	1	
12193	976	" " Cover ...	5	
50053d	981	" " " Thumb Screw ...	5	1/29
12403	979	" Spool Pin and Thread Eyelet ...	2 1/2	1/13
8879	980	" " " Washer (Cloth) ...	1 1/2	
52042	976	" Top Cover ...	7 1/2	1/1
52043	976	" " " 52042 with 12403 and 24131 ...	1 0	
180d	981	" " " Screw ...	1 1/2	
52005	961	Balance Wheel (power) light rim, 2 1/2 in. pulley with two 448c ...	3 4	
24297	961	Balance Wheel Oil Cover ...	5	
210d	981	" " " " Screw ...	2	
448c	981	" " " Set Screw ...	1 1/2	
*52006	—	Bed ...	18 9	
12431	—	" Slide ...	1 0	
12432	976	Bed Slide, complete, Nos. 4307, 12431 and two 725j ...	1 3	
56006	—	Arm Shaft Flanged Bushing (back) Oil Pad (Braided Cotton) ...	6/22	
*52079	—	Arm ...		
52078	—	" Shaft Flanged Bushing (front) ...	7/25	
435c	—	" " " " (") Set Screw ...		

PARTS FOR No. 95KI MACHINE

No.	Plate		Price	
4307	976	Bed Slide Spring ...	2 1/2	
725j	981	" " " Screw ...	1	
52007	—	Face Plate <i>... # 4 2 0 0 1 (...)</i>	2 0	1/20
52008	961	Face Plate, complete, Nos. 52007, 52009 and 52010 <i>also with 52052</i>	2 6	"
190d	981	" " Screw ...	1 1/2	
52009	979	" " Thread Guard (lower) <i>also with 2053...</i>	1/2	1/20
52010	979	" " " " (upper) <i>4 11 56086...</i>	1/2	"
50190d	981	" " Thumb Screw...	5	1/21
52011	962	Feed Bar <i>obsolete use 52452</i>	1 8	9/21
313c	981	" " Screw Centre ...	2	
1519e	978	" " " " Nut ...	1 1/2	
3033	963	" Connecting Link ...	10	
375c	963	" " " Hinge Screw ...	4	
1518e	963	" " " " " Nut ...	2	
52031	967	" Dog for Shirt Work ...	1 8	
52051	—	Face Plate	
52052	—	Face Plate, complete, Nos. 52051, 52053, 56086 and two 226d...	...	
2 52053	—	Face Plate Thread Guard (lower)	...	
226d	—	" " " " (") Screw	
1 56086	—	" " " " " (upper)	...	
1 226d	—	" " " " " (") Screw	
12457	52452	Feed Bar ...	1 8	
20348	966	" " " " (") Screw	9/21
20117	964	Feed Dog for Shirt Work, beveled for Hemmer, 16 teeth (16 teeth to the inch) ...	1 8	
20132	964	Feed Dog for Shirt Work, beveled for Hemmer, 22 teeth (22 teeth to the inch) ...	1 8	
20138	966	Feed Dog for Shirt Work, beveled for Hemmer, 13 teeth (12 teeth to the inch) ...	1 8	
20142	964	Feed Dog for General Work ...	1 8	
20147	964	" " four teeth at right of needle (square corner)	1 8	
20151	965	" " for Shirt Work, beveled for Hemmer	1 8	
20159	965	" " " " " " ...	1 8	
20325	965	" " " " " " ...	1 8	
50117e	981	" " Screw ...	1	
24035	962	Feed and Feed Lifting Eccentric with 448c	2 0	
448c	981	" " " " " Set Screw ...	1 1/2	
24036	962	" " " " " Sleeve ...	3 0	
24037	962	Feed Forked Connection ...	3 0	
375c	963	" " " " Hinge Screw ...	4	
1518e	963	" " " " " Nut...	2	
16504	962	Feed Lifting Rock Shaft ...	10 7	
16588	—	Feed Lifting Rock Shaft, complete, Nos. 12376, 16504 and 16556 ...	4 1/2	

PARTS FOR No. 95KI MACHINE.

No.	Plate		Price	
16556	963	Feed Lifting Rock Shaft Crank (back) with 462c ...	10	
2049	963	" " " " " (") Pin ...	1 1/2	
462c	963	" " " " " (") Set Screw ...	1	
12376	963	" " " " " (front) with 157e and 1813 ...	1 8	
157e	963	Feed Lifting Rock Shaft Crank (front) Clamping Screw	2	
1813	963	" " " " " (") Roller and Stud	10	
12430	962	" " " " " Connecting Rod (Steel) with 12204 and two 145e ...	3 4	
*12204	—	Feed Lifting Rock Shaft Crank Connecting Rod Cap	—	
145e	981	" " " " " Connecting Rod Cap Screw ...	2	
375c	963	Feed Lifting Rock Shaft Crank Connecting Rod Hinge Screw ...	4	
1518e	963	Feed Lifting Rock Shaft Crank Connecting Rod Hinge Screw Nut ...	2	
307c	981	Feed Lifting Rock Shaft Screw Centre ...	3	
1513e	978	" " " " " " Nut ...	2	
3039	963	Feed Regulator ...	1 0	
1128e	963	" " Hinge Screw ...	6	
818d	963	" " Thumb Screw ...	5	
16506	962	Feed Rock Shaft ...	1 5	
24376	—	Feed Rock Shaft, complete, Nos. 16506 and 29633 ...	2 6	
29633	963	" " " Crank with 157e ...	1 0	
157e	963	" " " " Clamping Screw ...	2	
307c	981	" " " Screw Centre ...	3	
1513e	978	" " " " " Nut ...	2	
25878	985	Guide ...	7 1/2	
50190d	981	" Thumb Screw ...	5	1/21
52012	969	Needle Bar with 857h <i>also use 52129</i>	3 0	9/24
52013	969	" " Bushing (lower) with 29532 ...	3 4	
1133e	969	" " " (") Set Screw ...	1	
52014	969	" " " (upper) ...	3 4	
1133e	969	" " " (") Set Screw ...	1	
24040	969	" " Connecting Link with 794e ...	2 0	
794e	969	" " " " Adjusting Screw ...	2 1/2	
775e	969	" " " " Cap Screw ...	3	
24041	969	" " " Stud with 207e ...	1 5	
207e	969	" " " " Clamping Screw ...	1	
52015	962	" " Crank with 858c, 1036c, 1037c and 1065c...	3 4	
1065c	981	" " " Position Screw ...	5	
858c	981	" " " Set Screw ...	1 1/2	
29532	969	" " Oil Cup ...	1 1/2	
857h	969	" Set Screw...	1	
52129	—	Needle Bar (hollow) with 857h	9/24

PARTS FOR No. 95K1 MACHINE.

No.	Plate	Description	Price
12391	976	Presser Bar (hollow) ...	3 4
20059	963	" " Guide Bracket with 453c ...	1 5
453c	963	" " " " Set Screw ...	1
52016	963	" " Lifter ...	10
689c	963	" " " Screw ...	5
1520	963	" " " Nut ...	1 1/2 <i>12/25</i>
12327	963	" " Lifting and Releasing Lever Bracket ...	2 0
11167	976	" " Spring ...	2 1/2
11170	979	" " " Washer ...	1/2
40315	974	" " Foot for 52031 ...	1 10 <i>7</i>
NOTE—No. 40315 is sent with this machine unless another Presser Foot is specified on order. <i>916</i>			
12261	972	Presser Foot for 20162 ...	2 0
12143	972	" " " 12369 and 12457 ...	1 8
12144	972	" " " 20117, 20132, 20138, 20147, 20151, 20159 and 20162 ...	1 10 <i>7</i>
12260	972	Presser Foot for 12450, 20147 and 20348 ...	1 8
2532	979	" " Hinge Pin, ... per 100	5
20344	7298	979 Presser Foot Hinge Pin ...	2 8
20345	24544	" " " Plate ...	per 100 5
26231	24544	" " " Shank ...	2 9
20346	26231	979 " " Spring ...	6 <i>9/10 1/2</i>
20346	24983	" " " Spring ...	1
20268	24983	Presser Foot (hinged), complete, Nos. 24545 and 26231 for 52031 ...	1 5 <i>2/10 3/25 37 4/1</i>
NOTE—No. 24983 is sent with this machine unless another Presser Foot is specified on order.			
20269	—	—	—
20270	970	Presser Foot (hinged), complete, for 12369 and 12457, Nos. 7298, 20268 and 20269 ...	5 2
2532	979	Presser Foot Hinge Pin, ... per 100	5
20472	—	" " Plate ...	2 8
20473	—	" " Shank ...	2 6
26231	979	" " Spring ...	1
20474	970	Presser Foot (spring hinged), complete, for Fine Silk, etc., Nos. 2532, 20472, 20473 and 26231 ...	5 2
20118	970	Presser Foot for General Work for 12450 ...	1 10 <i>21</i>
20150	971	" " " 20142 ...	1 10 <i>21</i>
20342	971	" " " 12450 and 20348 ...	1 8
26276	979	" " Hinge Pin ...	1/2
52034	—	" " Plate ...	2 8
52035	—	" " Shank ...	2 6
52036	971	Presser Foot (hinged), complete, for 52031, Nos. 26276, 52034 and 52035 ...	5 2
190d	981	Presser Foot Screw ...	1 1/2
688c	981	Pressure Regulating Thumb Screw ...	1 0
40391	975	Rotating Hook with 40274, 40398, two 465c and three each 1053d and 1367f <i>ob. use 52089</i> ...	10 4 <i>3/23</i>

No.	Plate	Description	Price
52121	—	Rotating Hook ...	—
52123	—	" " 52121, with 52090 and four 1053d ...	—
52089	—	" " 52123, with 40274, three each 1253c and 1367d ...	— <i>3/23</i>
1253c	—	" " Set Screw ...	—
52090	—	" " Thread Guard ...	—
40258	976	Rotating Hook Belt ...	2 6
52037	976	" " " Guard ...	1 0
181d	981	" " " Screw ...	2
52048	987	Rotating Hook Belt Pulley (lower, Steel) with two 1177c 50145c and sixteen 52049 ...	4 2 <i>12/22</i>
1177c 50145c	987	Rotating Hook Belt Pulley (lower) Set Screw ...	1 1/2
52049	987	" " " " (") Stud ...	2 1/2
52050	987	" " " " (upper) with 1362c and thirty 40263 ...	6 3
1362c	977	Rotating Hook Belt Pulley (upper) Set Screw ...	3
40263	977	" " " " (") Stud ...	2 1/2
40264	975	" " " Bobbin ...	2 1/2
52478	—	Rotating Hook 52089 with 52474 ...	5 <i>1/24</i>
52472	—	" " Bobbin Case ...	5
52481	—	" " " 52472 with 591f, 1380d and 40394 ...	5
52473	—	" " " complete, Nos. 592c, 2975, 40393 and 52481 ...	1
52474	—	" " " 52473 with 52477 ...	1
52477	—	" " " Holder with 52475 and two 52476 ...	1
*52475	—	" " " Locating Plate ...	1
*52476	—	" " " Rivet ...	1
40394	975	" " " Spring ...	5
1380d	975	" " " " " " " Screw ...	1 <i>1/24</i>
40395	975	Rotating Hook Bobbin Case, complete, Nos. 591f, 592c, 1380f, 2975, 40393 and 40394 <i>ob. use 52473</i> ...	0
40408	—	Rotating Hook Bobbin Case 40395 with 40396 <i>ob. use 52474</i> ...	10 4
40396	975	" " " " Holder <i>ob. use 52477</i> ...	7 3
52018	975	" " " " Position Bracket ...	2 6
914f	975	" " " " Bracket Screw ...	2
40274	975	Rotating Hook Section ...	3 0
1367d	975	" " " Screw ...	1
465c	975	" " " Set Screw ...	1 <i>3/23</i>
52019	976	" " " Shaft ...	2 6
52044	977	" " " Bushing (back, Cast Iron) ...	2 0
447c	977	" " " " (back) Set Screw ...	1 1/2
52039	977	" " " " (front, Cast Iron) ...	2 0
50145c	988	" " " " (front) Position Screw ...	2 1/2
52045	977	" " " Packing (Cotton) ...	1/2
40398	975	" " " Thread Guard <i>ob. use 52090</i> ...	1 0 <i>3/23</i>
1053d	975	" " " " Screw ...	1
20060	978	Slack Thread Regulator ...	1 5
225f	978	" " " Adjusting Screw ...	1 1/2
2102	978	Tension Disc ...	2 1/2
1560c	978	" " Regulating Thumb Nut ...	2

PARTS FOR No. 95K1. MACHINE

No.	Plate	Description	Price
32572	978	Tension Releasing Disc ...	5.2 ¹ / ₂
43944	978	" " Lever ...	10
12398	978	" " " Hinge Pin ...	1 1/2
12329	978	" " " Spring ...	1
32574	978	" " Pin ...	1 1/2
1274f	978	" Screw Stud ...	5
13710	978	" Spring ...	1 1/2
29642	978	Thread Eyelet (side of arm) ...	7 1/2
52026	969	" " for 52013 ...	2 1/2
460c	978	" " Set Screw for 29642... ..	1
52027	978	" Guard (side of arm) ...	1 1/2
52021	969	" Take-up Crank ...	3 4
1036c	969	" " " Position Screw ...	1 1/2
1037c	969	" " " Set Screw ...	2
52022	969	" " Lever w/ 52130 ...	1 8 3/4
52023	969	" " " Hinge Pin ...	2 1/2
52024	969	" " " Link ...	1 0
11204	969	" " " Hinge Pin ...	7 1/2
430c	969	" " " " Set Screw ...	2
52025	—	Thread Take-up Lever, complete, Nos. 52022 to 52024	3 0
43946	978	Thread Take-up Spring ...	1 1/2
7336	978	" " " Regulator ...	1 0
448c	978	" " " " Set Screw ...	1 1/2
20139	966	Throat Plate, large needle hole, for 20138 and 20162 ...	2 0
20140	—	" " small " " " 20138 " 20162 ...	2 0
20190	966	" " large " " " 12369 " 12457 ...	2 0
20191	—	" " small " " " 12369 " 12457 ...	2 0
20135	966	" " large " " " 12450 " 20348 ...	2 0
20136	—	" " small " " " 12450 " 20348 ...	2 0
20124	964	" " large " " " 20117 " 20132 ...	2 0
20125	—	" " small " " " 20117 " 20132 ...	2 0
20143	964	" " large " " " 20142 ...	2 0
20144	—	" " small " " " 20142 ...	2 0
20148	964	" " large " " " 20147 ...	2 0
20149	—	" " small " " " 20147 ...	2 0
20152	965	" " large " " " 20151 ...	2 0
20153	—	" " small " " " 20151 ...	2 0
20160	965	" " large " " " 20159 ...	2 0
20161	—	" " small " " " 20159 ...	2 0
20326	965	" " large " " " 20325 ...	2 0
20327	—	" " small " " " 20325 ...	2 0
52032	—	" " large " " " 52031 ...	2 0
52033	967	" " small " " " 52031 ...	2 0
NOTE.—No. 52033 is sent with this machine unless another Throat Plate is specified on order.			
691f	981	Throat Plate Screw ...	2
24079	983	Drip Pan with four Wood Screws 1/2" No. 5. ...	1 0
52130	—	Thread Take-up Lever Thread Eyelet Bushing ...	3/24

No. 95K2 Machine.

For Collar and Cuff Work ; Drop Feed.

This Machine is the same as 95K1 with the following exceptions :

No.	Plate	Description	Price
20163	968	Feed Dog, 1/16" stitch ...	1 8
20164	968	" " " " " " ...	1 8
21351	980	Regulator Thumb Screw ...	10
NOTE.—No. 20163 is sent with this Machine unless other Feed Dog is specified on order.			
25873	985	Gauge (combination) ...	7 1/2
284d	981	" Thumb Screw ...	5
3146	979	" " " Washer ...	1 1/2
12435	973	Presser Foot with 2991 ...	2 6
NOTE. No. 12435 is sent with this machine unless another Presser Foot is specified on order.			
12462	974	Presser Foot, 3/16" gauge and above... ..	2 0
NOTE.—When ordering No. 12462 give width of turned edge from seam.			
12463	974	Presser Foot with Strip Guide ...	3 0
12335	973	" " (narrow) ...	1 8
20133	—	" " Plate ...	2 8
19223	—	" " Shank ...	2 6
20134	974	Presser Foot (hinged), complete, for 3/16" gauge and above, Nos. 19223, 20133 and 26276 ...	5 2
NOTE.—When ordering No. 20134 give width of turned edge from seam.			
20155	—	Presser Foot Plate ...	2 6
20156	—	" " Shank ...	3 0
20157	973	Presser Foot (hinged), complete, Nos. 2991 , 2532, 20155 and 20156 ...	5 7
20343	973	Presser Foot with Guide on bottom to the right of Needle Hole... ..	2 6
20360	—	Presser Foot Plate ...	2 8
19335	—	" " Shank ...	2 6
20361	971	Presser Foot (hinged), plain bottom, complete, Nos. 19335, 20360 and 26276 ...	5 2
26279	960	Presser Foot Extension, 1/16" ...	7 1/2
26280	960	" " " " " " ...	7 1/2
26281	960	" " " " " " ...	7 1/2

Equipment necessary when fitting Motors of 2000 Series
to customers' machines

5/24
64b

SINGERLIGHTS.

Singerlight for Machines without Motors, for Foot Power.

No.	Plate	Description
97340		Singerlight Bracket (adjustable)
97353		" " 97340 with 191815
SS497e		" " Hinge Screw Stud
NN92r		" " " " Nut
2807		" " " " Washer
97342		" " " " complete, Nos. SS497e, NN92r and 2807
97394		" " Lamp 110 volts
190744		" " 115 to 120 volts <i>State of actual voltage required</i>
97335		" " 125 to 130 volts
97338		" " 145 volts
97397		" " 150 to 165 volts
97398		" " 200 to 220 volts
97359		" " 230 to 250 volts
191789		" " Nipple
190743		" " Bushing
190191815		" " Position Pin
191786		" " Washer (Felt) 1/4"
191785		" " " " (") 1/4"
191082		" " " " (Steel)
190745		" " Singerlight Shade
*191375		" " Toggle Socket Base, complete, Nos. 191376 and 191377
*191377		" " " " " " Hub
*191381		" " " " " " Insulation
*191376		" " " " " " Shell

Singerlight for Machines fitted with Series 2000 Motors on Individual Stands and Tables only.

No.	Plate	Description
191962	97356	Singerlight Twin Cable, 20 1/2" long, with 190562, two each 191960 and 191961
*191380	191953	" " " " Bushing
*190745	190562	" " " " Metallic Sleeve
97358	191960	" " Terminal Clip Body Cap
97354	191961	" " " " " "
93083	97357	Singerlight (flexible, less lamp), complete, Nos. 97356, 97358 and 191953
93084	191960	" " Singerlight Lamp 22 volts
93085	191165	" " " " 50 volts
97355	97329	" " " " 210 to 230 volts

Singerlight for Machines fitted with Series 2000 Motors, with old style connections, on Individual Stands and Tables.

No.	Description
97357	Singerlight (flexible, less lamp), complete
191937	Insulated Hook
191934	Terminal Block

ATTACHMENTS.

Binders.

When ordering Binders send sample of the Binding and of the Material to be bound.

BINDER for Cap Peak Work, for No. 95K1 Machine.

No.	Plate	Description	Price
85678	559	Feed Dog	2 0
85459	559	Folder Base	5 6
85460	559	" (top)	1 6
207d	558	" (") Binding Screw	1
85461		" (bottom)	2 6
SS50d	186	" (") Binding Screw	1
176d	559	" Screw (to fasten to machine)	1 1/2
85325	186	" " Washer	1/2
85462	559	Folder Roller Guide, complete, Nos. 701d, 85463 and 85464	5 9
85463		" " " Bracket	2 6
85464		" " " Roller	1 0
701d		" " " " Screw	3
SS50d	186	" " " Binding Screw	1
85458	559	Folder, complete, Nos. 85459 to 85462, two 207d and four SS50d	14 0
85679	559	Presser Foot	5 6
85680	559	Throat Plate	4 0
85681	559	Binder, complete, Nos. 85458, 85678 to 85680, two each 176d and 85325	25 6

BINDER for Cardigan Jackets, for No. 95K1 Machine.

No.	Plate	Description	Price
85682	558	Feed Dog	1 3
85336		Folder Base	5 6
85337		" Folding Plate (top)	2 9
85338		" " " (bottom)	1 9
233d		" " " Screw for 85337 and 85338	1
SS50d	186	" " Screw	1
85325	186	" " Washer	1/2
85335		Folder, complete, Nos. 85336 to 85338, and four 233d	10 0
85683	558	Presser Foot	3 6
85324		Tape Tension Pin (bent)	2
85323		" " " (straight)	1
85340		" " Plate	8
85339	558	Tape Tension, complete, Nos. 85324, 85340 and four 85323	1 0
207d	558	" " " Screw	1
85325	186	" " " Washer	1/2
85684	558	Throat Plate	4 0
85685	558	Binder, complete, Nos. SS50d, 207d, 85335, 85339, 85682 to 85684 and two 85325	20 0

BINDER, $\frac{1}{2}$ ", for General Work, for No. 95K1 Machine.

No.	Plate		Price
85686	558	Feed Dog	4 0
85320	558	Folder	6 6
SS50d	186	" Screw	1
85325	186	" " Washer	$\frac{1}{2}$
85687	---	Presser Foot Bracket	1 6
85688	---	" " " Hinge Pin	2
85689	---	" " Sole	3 3
85690	558	Presser Foot (hinged), complete, Nos. 85687 to 85689	5 0
85324	---	Tape Tension Pin (bent)	2
85323	---	" " " (straight)	1
85322	---	" " Plate	1 0
85321	557	Tape Tension, complete, Nos. 85322, 85324 and eight 85323	2 0
SS50d	186	Tape Tension Screw	1
85325	186	" " " Washer	$\frac{1}{2}$
85691	558	Throat Plate	4 0
85692	558	Binder , complete, Nos. 85320, 85321, 85686, 85690, 85691, two each SS50d and 85325	21 0

BINDER, $\frac{1}{2}$ ", for Stay Work, for No. 95K1 Machine.

85693	557	Feed Dog	3 6
85614	---	Folder	8 6
SS65d	---	" Screw	1
85694	---	Presser Foot Bracket	1 0
85616	---	" " " Hinge Pin	1
85695	---	" " Sole	3 3
85696	557	Presser Foot (hinged), complete, Nos. 85616, 85694 and 85695	4 6
85324	---	Tape Tension Pin (bent)	2
85323	---	" " " (straight)	1
85322	---	" " Plate	1 0
85321	557	Tape Tension, complete, Nos. 85322, 85324 and eight 85323	2 0
SS50d	186	Tape Tension Screw	1
85325	186	" " " Washer	$\frac{1}{2}$
85697	557	Throat Plate	6 6
85698	557	Binder , complete, Nos. SS50d, SS65d, 85321, 85325, 85614, 85693, 85696 and 85697	25 0

BINDER, $\frac{1}{2}$ ", for Stay Work, for No. 95K1 Machine.

No.	Plate		Price
85699	186	Base	---
85597	186	Binder	---
85324	---	Tape Tension Pin (bent)	2
85323	---	" " " (straight)	1
85700	186	Binder only, complete, Nos. 85324, 85597, 85699 and nine 85323	10 6
SS50d	186	Binder Screw	1
85325	186	" " Washer	$\frac{1}{2}$
85701	186	Feed Dog	3 0
85702	---	Presser Foot Bracket	1 6
85703	---	" " " Hinge Pin	2
85704	---	" " Sole	3 3
85705	186	Presser Foot (hinged), complete, Nos. 85702 to 85704	5 0
85706	186	Throat Plate	3 6
85707	186	Binder , complete, Nos. SS50d, 85325, 85700, 85701, 85705 and 85706	22 0

BINDER, FOLDER and TENSION, $\frac{9}{16}$ ", for Stay Work, for No. 95K1 Machine.

85711	187	Base	---
85603	187	Binder	---
85604	187	Folder	9 0
207d	558	" Screw	1
85325	186	" " Washer	$\frac{1}{2}$
85605	187	Tape Guide	3 6
85606	187	" " Bracket	2 0
207d	558	" " " Screw	1
85325	186	" " " " Washer	$\frac{1}{2}$
207d	558	" " Screw	1
85325	186	" " " Washer	$\frac{1}{2}$
85607	---	" Tension Pin	1
85712	187	Binder, Folder and Tension only, complete, Nos. 85603 to 85606, 85711, three each 207d, 85325 and seven 85607	26 6
SS50d	186	Binder Screw	1
85325	186	" " Washer	$\frac{1}{2}$
85701	186	Feed Dog	3 0
85702	---	Presser Foot Bracket	1 6
85703	---	" " " Hinge Pin	2
85704	---	" " Sole	3 3
85705	186	Presser Foot (hinged), complete, Nos. 85702 to 85704	5 0
85706	186	Throat Plate	3 6
85713	187	Binder , complete, Nos. SS50d, 85325, 85701, 85705, 85706 and 85712	38 0

BRAIDER FOOT, Long Shank (adjustable), for No. 95K1 Machine.

No.	Plate		Price
86179	---	Braider Foot	1 3
86176	---	" " Guide (Wire)	1
SS182d	---	" " " Screw	1 1/2
86180	560	Braider Foot , complete, Nos. 86179, two each SS182d and 86176	1 6
86178	560	Braider Foot for 95K1 Machine	1 6

Corders.

When ordering state Size or No. of Cords to the inch.

CORDER (adjustable), for Fine Cording, for No. 95K1 Machine.

85842	560	Base	5 0
85843	560	Finger Arm	10 6
85844	560	" " Adjustable Bracket	7 3
85845	---	" " " " Block	1 9
393c	---	" " " " " Screw	1
316c	---	" " " " Centre Screw	1 1/2
1547d	---	" " " " " Nut	1 1/2
NN41d	---	" " " " Thumb Nut	9
286d	981	" " " " " Set Screw	5
85846	560	Corder only, complete, Nos. NN41d, 286d, 393c, 85842 to 85845, two each 316c and 1547d	24 0
85864	560	Feed Dog	3 3
85865	560	Presser Foot	4 6
85866	560	Throat Plate	3 3
85867	560	Corder , complete, Nos. SS50d, 85846 and 85864 to 85866	35 0
SS50d	186	Corder Screw (to fasten to machine)...	1

CORDER for Top Cording, for No. 95K1 Machine.

85868	201	Corder Bow	2 3
85869	201	Presser Foot	1 9
759d	---	" " Thumb Screw... ..	2 1/2
85870	201	Corder Bow , complete, Nos. 759d, 85868 and 85869	4 0

CORDER for Top Cording, for No. 95K1 Machine.

No.	Plate		Price
85783	---	Base	1 3
85871	---	Guide Finger with 85414, 85872 and two 85416	1 9
SS28B	---	" " Adjusting Screw	4 <i>9/2c</i>
85414	---	" " Eyelet	1
85413	---	" " Hinge Pin	1
879d	---	" " Locking Thumb Screw	4
85872	---	" " Tip	6
85416	---	" " " Rivet	1 1/2
85873	200	Corder only, complete, Nos. SS28B, 879d, 85413, 85783 and 85871	3 9 <i>9/2c</i>
85874	200	Presser Foot	1 9
85875	200	Corder , complete, Nos. SS44d, 85412, 85873 and 85874	5 6
SS44d	200	Corder Screw (to fasten to machine)...	1
85412	200	" " Washer	1 1/2

CORDER GUIDE (adjustable) for No. 95K1 Machine.

85382	---	Extension Guide	1 0
228d	981	" " " Screw	1
85876	---	Presser Foot	1 6
85877	560	Corder Guide , complete, Nos. 228d, 85382 and 85876	2 6
85881	562	Cording and Hemming Foot	7 0
86182	562	Cording Foot (grooved on right side)	1 9

Crimping Set.

CRIMPING SET for No. 95K1 Machine.

85882	557	Feed Dog	2 0
85883	---	Presser Foot	3 4
85391	---	" " Spring	1
219d	981	" " " Screw	1
85884	557	Presser Foot, complete, Nos. 219d, 85391 and 85883	3 6
85885	557	Throat Plate	1 9
85886	557	Crimping Set , complete, Nos. 85882, 85884 and 85885	7 3

Felling Feet.

FELLING FEET for No. 95K1 Machine.

No.	Plate		Price
85896	201	Felling Foot, $\frac{3}{16}$ " Fell	7 0
85897	562	" " (Steel), $\frac{3}{16}$ " Fell	3 0

Gathering Feet.

GATHERING FEET for No. 95K1 Machine.

85955	562	Gathering Foot	2 0
86193	560	" " (slotted)	1 8

Gathering Set.

GATHERING SET for No. 95K1 Machine.

85956	561	Feed Dog	3 6
85957	—	Gatherer	2 0
330d	—	Gatherer Screw	1
85958	—	Gathering Foot	4 0
85959	561	Gathering Foot, complete, Nos. 330d, 85957 and 85958	6 0
85397	561	Ruffling Guide	6 6
207d	558	" " Screw	1
85325	186	" " " Washer	$\frac{1}{2}$
85960	561	Throat Plate	3 9
85961	561	Gathering Set, complete, Nos. 85397, 85956, 85959, 85960, two each 207d and 85325	20 0

Hemmers.

HEMMERS for No. 95K1 Machine

9/26

No.	Plate		Price
86005	88	Hemmer, $\frac{3}{16}$ " to $\frac{7}{8}$ ", in grades of $\frac{1}{16}$ "	...
86008	88	" 1" to 1 $\frac{1}{4}$ ", in grades of $\frac{1}{4}$ "	...
86010	88	" 1 $\frac{3}{4}$ " and 1 $\frac{1}{2}$ "	...
85447	88	" Base with SS54c	...
SS54c	"	" Stud Screw	...
NN40d	88	" " " " Thumb Nut	...
85448	88	" " " " " Washer	...
85446		Hemmer Base, complete, Nos. NN40d, 85447 and 85448	...

9/26

86025	562	Hemmer Foot, $\frac{1}{16}$ " to $\frac{9}{32}$ " Hem, in grades of $\frac{1}{32}$ "	...
85446	—	Hemmer Base, complete, Nos. NN40d, SS54c	...
86025	562	Hemmer (Foot), $\frac{1}{16}$ " Hem	3 6
85453	—	" Folder	2
85429	—	" Tongue	1
86026	562	" (Foot), $\frac{3}{32}$ " Hem	3 6
85428	—	" Folder	2
85429	—	" Tongue	1
86027	562	" (Foot), $\frac{1}{8}$ " Hem	3 6
6267	—	" Folder	2
85429	—	" Tongue	1
86028	562	" (Foot), $\frac{5}{32}$ " Hem	3 6
6267	—	" Folder	2
85429	—	" Tongue	1

Presser Foot.

86188	958	Presser Foot (narrow) for Narrow Tucking for No. 95K1 Machine	1 9
-------	-----	---	-----

Quilter.

QUILTER for No. 95K1 Machine.

86041	958	Clamp with 207d	3
207d	558	" Screw	1
86042	958	Rod	5
86043	958	Quilter, complete, Nos. 86041 and 86042	8

Bobbin Winder

(Swinging Automatic, Left Hand) for 40264

No.	Plate	Description	Price
10/24 41913	1314	Bracket with 457c	1 5
" 41583	1314	Frame with 457c	2 6
" 34105	1314	" Hinge Pin	2 1/2
" 457c	988	" " " Set Screw	1
" 41914	1314	" Spring	2 1/2
41585	989	Pulley with 171d	10
171d	988	" Set Screw	1 1/2
41586	989	Spindle	10
41587	989	Stop Latch	5
42614	989	" " Hinge Stud	7 1/2
457c	988	" " " " Set Screw	1
41588	989	" " Tripping Arm with 185h	5
185h	988	" " " " Clamping Screw	1
41915	---	Bobbin Winder, Nos. 34105, 41583, 41585 to 41588, 41913, 41914 and 42614...	8 0
41916	---	Bobbin Winder (swinging automatic, left hand), complete, Nos. 41592 and 41915	10 0
880d	---	Bobbin Winder Screw	3
25446	---	" " " Washer	1
41591	989	Tension Bracket with 460c	1 0
41592	989	Tension Bracket, complete, Nos. 42403, 24131, 41591, 41593 to 41595 and two 2455	2 3
24131	979	Tension Bracket Oil Tube with 29599	3
29599	979	" " " " Packing (Felt), per 100	1 0
180f	981	" " Screw	1 1/2
12403	979	" " Spool Pin	2 1/2
2455	---	" Disc	1
41593	979	" Spring	1
41594	979	" Stud	5
460c	978	" " Set Screw	1
41595	979	" Thread Guide	1 1/2

DEQUIL
 PAGE 72-A
 (Swinging Automatic, Left Hand)

For use with 2000 Series Motors Equipment

No.	Plat.						
126185	1535	Base
126186	1535	Frame with 457c
126187	1535	" Hinge Pin
457c	1535	" " " Set Screw
126188	1535	" Spring
15153	1535	Friction Ring (Rubber)
41700	1535	Pulley
126189	1535	Spindle
*126192	---	Spool Holder Disc
*126190	---	" " Rod
126191	1536	Spool Holder, complete, Nos. 126190 and 126192
759a	1535	" " Thumb Screw
41729	1535	Stop Latch
126245	1535	" " 41729 with 2269 and 41441
41441	1535	" " Hinge Pin
2269	1535	" " Pin
41730	1535	" " Tripping Arm with 171d
171d	1535	" " " Clamping Screw
126193	1536	Tension Bracket and Thread Eyelet
126194	---	Tension Bracket, complete, Nos. 418c, 1529j, 1562j, 43808, 126193 and two 2455
217d	1535	Tension Bracket Screw
2455	1536	" Disc
1562j	1536	" Regulating Thumb Nut
418c	1536	" Screw Stud
1529j	1536	" " " Nut
43808	1536	" Spring
126195	1536	Bobbin Winder, Nos. 15153, 41700, 41730, 126185 to 126189 and 126245
126196	---	Bobbin Winder (swinging automatic, left hand), complete, Nos. 134r, 126191, 126194, 126195 and two 217d
134r	1535	Bobbin Winder Screw
2455	---	" Disc	1
41593	979	" Spring	1
41594	979	" Stud	5
460c	978	" " Set Screw	1
41595	979	" Thread Guide	1 1/2

10/24
 "
 "

As No. 27308 can be supplied either Plated or Japanned, it is necessary, when ordering, to state which is required.

Bobbin Winder

(Swinging Automatic, Right Hand)

for use with Series 800, 900 and 1700 Motors.

No.	Plate					
41339	1627	Base	2/4
41340	1627	Frame	"
1429d	1628	" Hinge Screw	"
41341	1627	" Spring	"
207d	558	" " Screw	"
41342	1627	Pulley with 200f	"
200f	1628	" Set Screw	"
41343	1628	Spindle	"
27306	1628	Spool Pin	"
27307	1627	" Stand	"
†27308	1627	Spool Stand, complete, Nos. 418e, 1562j, 2106, 10141, 11241,	
418e		27306, 27307, two each 2455 and Wood Screws 1" No. 10	
11241	1627	Spool Washer (Cloth)	7/4
41344	1628	Stop Latch	"
41345	1628	" " Finger	"
152f	1628	" " " Screw	"
1430d	1628	" " Hinge Screw	"
1550h	1628	" " " " Nut	"
41346	1628	" " Lever	"
1430d	—	" " " Hinge Screw	"
2455	1536	Tension Disc	
1562j	1536	" Regulating Thumb Nut	
418e	1536	" Screw Stud	
10141	1628	" Spring	2/2
2106	1628	" Thread Guide	"
9331	1628	Washer	"
60456	—	Bobbin Winder, Nos. 152f, 207d, 1429d, 1550h, 41339 to 41346,	
		and three 1430d	
41347	1627	Bobbin Winder, Nos. 60456, two each 9331 and Wood Screws 1"	
		No. 10 R.H.B.	
41348	—	Bobbin Winder (swinging automatic, right hand), complete, Nos.	
		27308 and 41347	
41594	979	" Stud	1
460c	978	" " Set Screw	1
41595	979	" Thread Guide	1 1/2

Knee Lifter.

No.	Plate					Price
5596	984	Bell Crank	2 1/2
5599	984	" " Bracket	4
178c	981	" " " Screw	1 1/2
5601	980	" " Hinge Pin	1 1/2
5735	980	" " Spring	1
5598	984	Bell Crank, complete, Nos. 5596, 5599, 5601 and 5735	10
16510	959	Lifting Lever with 448c	10
52028	984	" " Connecting Rod	5
12416	980	" " " " Joint	4
76d	981	" " " " " Hinge Screw	3
1521c	978	" " " " " Lock Nut	1 1/2
802d	981	" " Hinge Screw	5
12241	980	" " Link	5
766d	981	" " " Hinge Screw	2 1/2
12240	980	" " Pin	2 1/2
448c	978	" " " Set Screw	1 1/2
2763	959	Rock Shaft	5
80209	959	" " Bracket	4
		" " " Screw (Wood) 1" No. 10, per doz.	
2765	959	" " Knee Arm	5
2766	959	" " " " Hub with 356c	7 1/2
356c	981	" " " " " Set Screw	3
2768	—	" " " " 2765 with 2766 and 2767	1 8
2767	959	" " " Plate with 356c	9
356c	981	" " " " Set Screw	3
6337	959	" " Lifting Bracket with two 356c	10
2778	959	" " " " Hook	2 1/2
356c	981	" " " " " Set Screw	3
356c	981	" " " " " Set Screw	3
2770	959	" " Stop Dog with 356c	6
356c	981	" " " " " Set Screw	3
84789	959	Rock Shaft 2763 with 2768, 2770, 2778, 6337, two 80209	
		and four Wood Screws 1" No. 10	4 2
84769	—	Knee Lifter, complete, Nos. 76d, 766d, 802d, 1521c,	
		5598, 12240, 12241, 12416, 16510, 52028, 84789	
		and two 178c	8 4

Thread Unwinder.

For Two Spools of Thread.

No.	Plate	Description
2 225395	1621	Spool Rest with 201018c
2 225388	1621	" " Rod
2 200383c	—	" " " Set Screw
2 201018c	—	" " " Set Screw
2 202490	1621	" Stand with 200383c
2 225391	1621	Thread Guide
2 201696j	—	" " Lock Nut
2 225392	1621	" " Rod with 208e and 225393
2 208c	—	" " " Screw
2 225393	—	" " " Washer
225396	1621	Thread Unwinder, complete, Nos. 201696j, 202490, 225388, 225392, 225395, two 225391 and three Wood Screws $\frac{7}{8}$ " No. 13

Obsolete Parts.

52002	—	Arm Oil Tube Holder	5
52003	979	" " " " 52002 with 24131 for Oiling 12430	1 0
40261	977	Rotating Hook Belt Pulley (lower, Steel) with two 50143c and sixteen 40263	4 2
52017	977	Rotating Hook Belt Pulley (upper) with 1362c and thirty 40263	6 3
52040	986	Rotating Hook Belt Pulley (lower, Steel) with two 50143c and sixteen 40263 for 52041	4 2
52041	986	Rotating Hook Belt Pulley (upper) with 1362c and thirty 40263 for 52040	6 3
40276	977	Rotating Hook Shaft Bushing (back, Cast Iron)	1 5
52020	977	" " " " (front, Cast Iron)	1 5
1148c	977	" " " " (") Set Screw	2 1/2

NN92r — Singerlight Bracket Hinge Screw Stud Nut for 97342

3/25

Numerical List of Parts.

No.	Plate	Description	Price
SS28 B	—	Corder Guide Finger Adjusting Screw for 85873	4
NN40 d	88	Hemmer Base Stud Screw Thumb Nut for 85446	3
NN41d	—	Corder Finger Arm Adjustable Bracket Thumb Nut for 85846	9
SS44d	200	Corder Screw (to fasten to machine) for 85875	1
SS50d	186	Binder Folder (bottom) Binding Screw for 85458	1
SS50d	186	Binder Folder Screw for 85685 and 85692	1
SS50d	186	Binder Tape Tension Screw for 85692 and 85698	1
SS50d	186	Binder Screw for 85707 and 85713	1
SS50d	186	Binder Folder Roller Guide Binding Screw for 85458	1
SS50d	186	Corder Screw (to fasten to machine) for 85867	1
SS54 F	—	Hemmer Base Stud Screw for 85447	2
SS65d	—	Binder Folder Screw for 85698	1
76d	981	Knee Lifter Lifting Lever Connecting Rod Joint Hinge Screw for 84769	3
1/6 c 122e	981	Arm Screw (back)	3
135d	988	Bobbin Winder Screw for 41590	2 1/2
144d	981	Arm Shaft Screw	4
145e	981	Feed Lifting Rock Shaft Crank Connecting Rod Cap Screw for 12430	2
157e	963	Feed Lifting Rock Shaft Crank (front) Clamping Screw for 12376	2
157e	963	Feed Rock Shaft Crank Clamping Screw for 29633	2
171d	988	Bobbin Winder Pulley Set Screw for 41585	1 1/2
176d	559	Binder Folder Screw (to fasten to machine) for 85681	1 1/2
178c	981	Knee Lifter Bell Crank Bracket Screw for 84769	1 1/2
180c	981	Bed Frame Cushion Screw for 24108	1 1/2
480d	981	Arm Top Cover Screw	1 1/2
180f	981	Bobbin Winder Tension Bracket Screw for 41592	1 1/2
181d	981	Rotating Hook Belt Guard Screw	2
SS182d	—	Braider Foot Guide Screw for 86180	1/2
134r	1535	Bobbin Winder Screw for 126196	...
171d	1535	Bobbin Winder Stop Latch Tripping Arm Clamping Screw for 41730	...

9/26

7/26

6/24