

SINGER
115W101,W102

LIST OF PARTS

INDEX



MACHINES

Nos. 115w101 and 115w102

THE SINGER MANUFACTURING COMPANY

	PAGE
ACCESSORIES	41
BOBBIN WINDER	41
FEED DOGS	44
KNEE LIFTER	42
MACHINE No. 115w101	7
" " 115w102	24
NUMERICAL LIST OF PARTS	47
OBSOLETE PARTS	45
PATTERN CAMS	44
RATCHET WHEELS	45
THREAD UNWINDER	43

Instructions for Ordering

In ordering from this list, use **ONLY** the **PART** number in the **FIRST** column.

The number stamped on a Sewing Machine Part is the number of the Single Part only, except when the part includes Set Screws, Clamping Screws, Studs and Rollers Spun on, Small Wires riveted, or Parts soldered together, etc., which it is necessary to furnish in combination.

Every combination of parts sent out has its specific number which, although not stamped on Parts (except in above cases) must be used when ordering the combination.

Each number always indicates the **SAME PART** in whatever list it appears, or for whatever Machine.

The letters after some of the numbers indicate the style of finish only, as follows:

- A. Hardened, Polished and Plated.
- B. Polished and Plated.
- C. Hardened only.
- D. Polished only.
- E. Soft, not polished.
- F. Hardened and Polished.
- H. Blued.

These letters **MUST BE USED** when they appear in the list and **AFTER** the number, as in the list.

In this series

- 1 to 1500 and 200001 to 201500 are Screw Numbers.
- 1501 to 1800 and 201501 to 201800 are Nut Numbers.
- 1801 to 2000 and 201801 to 202000 are Roller Numbers.
- 2001 to 50000, 202001 and upwards are Numbers of Machine Parts.

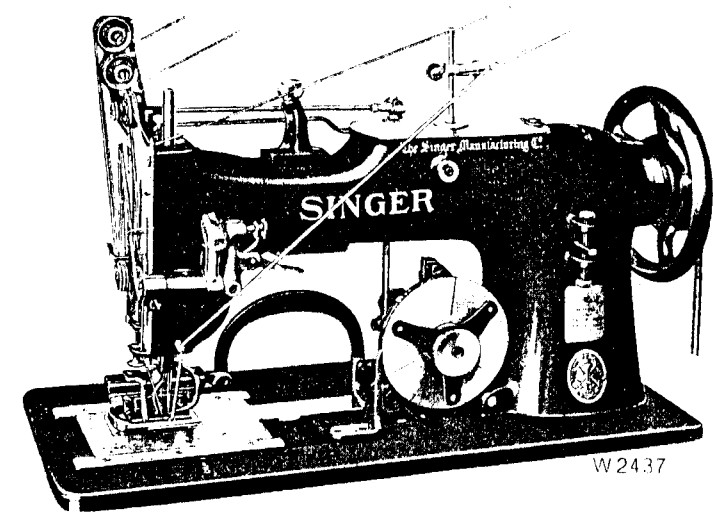
The figures in the second column refer only to the plate in which the illustration of the part is shown and are **NOT TO BE USED** in ordering.

Two or more numbers over a cut indicate that the difference between such parts is not visible in an illustration.

Parts marked with an asterisk (*) are furnished only when repairs are made at the factory.

LIST OF PARTS COMPLETE

FOR



MACHINE No. 115w101

SCALLOP EMBROIDERY.

No.	Plate	Name
*224751	---	Arm
221901	12560	" Cap
200278H	12562	" " Screw
202248	12562	" " " Washer
40217	12562	" Oil Tube (front of Arm) with 29599
222053	12562	Arm Oil Tube (front of Arm) with 29599
29599	---	Arm Oil Tube Packing (felt)
8582	12562	" Position Pin (3)
123E	12562	" Screw (4)
221902	12561	" Shaft
221903	12560	" " Bushing (back)
159F	12562	" " " " Screw (3)
222025	12560	" " " (center) with 202260
202260	---	Arm Shaft Bushing (center) Oil Packing (wick)
200338C	12562	Arm Shaft Bushing (center) Set Screw

No.	Plate	Name
201860	12564	Feed Bar Lifting Crank Roller
201861	—	“ “ “ “ “
		201860 with 224827
224827	12524	Feed Bar Lifting Crank Roller Stud
1120c	—	“ “ “ “ “
		Set Screw
1259c	12564	Feed Bar Lifting Crank Set Screw
221931	12564	“ “ Spring (flat)
202F	12564	“ “ “ Screw
224762	12526	“ Compensating Lever
224763	12524	“ “ “ “ Connection
224764	—	Feed Compensating Lever Connection 224763 with 1697c, 1698c, 222023 and 222024
*38443	—	Feed Compensating Lever Connection End Bearing (left)
222023	12579	Feed Compensating Lever Connection End Bearing 38443 with 679c, 42525 and two 187D
679c	12579	Feed Compensating Lever Connection End Bearing (left) Ball Screw Stud
*42525	—	Feed Compensating Lever Connection End Bearing (left) Cap
187D	12524	Feed Compensating Lever Connection End Bearing (left) Cap Screw
1697c	12524	Feed Compensating Lever Connection End Bearing (left) Check Nut
*38444	—	Feed Compensating Lever Connection End Bearing (right)
222024	12524	Feed Compensating Lever Connection End Bearing 38444 with 42524, 201029c and two 187D
201029c	12524	Feed Compensating Lever Connection End Bearing (right) Ball Screw Stud
*42524	—	Feed Compensating Lever Connection End Bearing (right) Cap
187D	12524	Feed Compensating Lever Connection End Bearing (right) Cap Screw
1698c	12524	Feed Compensating Lever Connection End Bearing (right) Check Nut
200999c	12524	Feed Compensating Lever Hinge Screw

No.	Plate	Name
224765	12527	Feed Compensating Slide Block ..
224766	12527	“ “ “ “ Cap
		with 200373c
200580D	12527	Feed Compensating Slide Block Cap Screw
224767	12527	Feed Compensating Slide Block Connection
224768	—	Feed Compensating Slide Block Connection 224767 with 1697c, 1698c, 222023 and 222024
*38443	—	Feed Compensating Slide Block Connection End Bearing (back)
222023	12579	Feed Compensating Slide Block Connection End Bearing 38443 with 679c, 42525 and two 187D ..
679c	12579	Feed Compensating Slide Block Connection End Bearing (back) Ball Screw Stud
*42525	—	Feed Compensating Slide Block Connection End Bearing (back) Cap
187D	12524	Feed Compensating Slide Block Connection End Bearing (back) Cap Screw
1697c	12524	Feed Compensating Slide Block Connection End Bearing (back) Check Nut
*38444	—	Feed Compensating Slide Block Connection End Bearing (front)
222024	12524	Feed Compensating Slide Block Connection End Bearing 38444 with 42524, 201029c and two 187D ..
201029c	12524	Feed Compensating Slide Block Connection End Bearing (front) Ball Screw Stud
*42524	—	Feed Compensating Slide Block Connection End Bearing (front) Cap
187D	12524	Feed Compensating Slide Block Connection End Bearing (front) Cap Screw
1698c	12524	Feed Compensating Slide Block Connection End Bearing (front) Check Nut
224774	12525	Feed Dog
205F	12564	“ “ Screw (2)
221933	12564	“ Driving Cam with 455c and 1299c

No.	Plate	Name
1299c	12564	Feed Driving Cam Position Screw
455c	12564	" " " Set Screw
24036	12564	" " " Sleeve
224769	12530	" " Rock Shaft with 443c
224770	—	" " " " 224769 with 221927 and 224761
202305	12564	Feed Driving Rock Shaft Center (2)
200043c	12564	" " " " " Set Screw (2)
224771	12526	Feed Driving Rock Shaft Crank with 178f
224772	12526	Feed Driving Rock Shaft Crank Connection
224773	—	Feed Driving Rock Shaft Crank Connection 224772 with 1518E, 1519E, 3033, 221941 and two 375c
201201f	12527	Feed Driving Rock Shaft Crank Connection Hinge Screw
200373c	12568	Feed Driving Rock Shaft Crank Connection Hinge Screw Set Screw
178f	12566	Feed Driving Rock Shaft Crank Pinch Screw
224779	12588	Feed Lifting Cam with 455c and 1299c
1299c	12564	Feed Lifting Cam Position Screw..
455c	12564	" " " Set Screw
221937	12561	" " Rock Shaft
202305	12564	" " " " Center (2)
200043c	12564	" " " " " Set Screw (2)
221938	12566	Feed Lifting Rock Shaft Crank with 158E
23672	12589	Feed Lifting Rock Shaft Crank Connection with 12204 and two 145E
*12204	—	Feed Lifting Rock Shaft Crank Connection Cap
145E	12569	Feed Lifting Rock Shaft Crank Connection Cap Screw
375c	12566	Feed Lifting Rock Shaft Crank Connection Hinge Screw
1518E	12564	Feed Lifting Rock Shaft Crank Con- nection Hinge Screw Nut
158E	12588	Feed Lifting Rock Shaft Crank Pinch Screw
221941	12566	Feed Regulating Bell Crank with 201073f and 201624H

No.	Plate	Name
1128E	12566	Feed Regulating Bell Crank Hinge Screw
3033	12566	Feed Regulating Bell Crank Link
375c	12566	" " " " " Hinge Screw (lower)
1518E	12564	Feed Regulating Bell Crank Link Hinge Screw (lower) Nut
375c	12566	Feed Regulating Bell Crank Link Hinge Screw (upper)
1519E	12566	Feed Regulating Bell Crank Link Hinge Screw (upper) Nut
201073f	12566	Feed Regulating Screw Stud
201624H	12566	" " " " Check Nut
201217D	12566	Feed Regulating Thumb Screw (2)
221943	12567	Index Finger
175B	12567	" " Screw (2)
5596	12567	Knee Lifter Bell Crank
5599	12567	" " " " Bracket
178f	12566	" " " " " Screw (2)
5601	12567	Knee Lifter Bell Crank Hinge Pin
5735	12567	" " " " Spring ...
5598	12567	Knee Lifter Bell Crank complete, Nos. 5596, 5599, 5601 and 5735 ..
222089	12561	Knee Lifter Lifting Lever
222090	12567	" " " " Connecting Rod
12416	12567	Knee Lifter Lifting Lever Connect- ing Rod Joint
76c	12567	Knee Lifter Lifting Lever Connect- ing Rod Joint Hinge Screw
1521E	12567	Knee Lifter Lifting Lever Connect- ing Rod Lock Nut
200224H	12567	Knee Lifter Lifting Lever Hinge Screw
231390	12526	Needle Bar (hollow)
221945	12568	" " Connecting Link
221946	12568	" " " Stud with 1258c and 1904
1904	12568	Needle Bar Connecting Stud Roller
1258c	12568	" " " " Set Screw
*222115	—	Needle Holder Body with 200117f and 201030f
222105	12568	Needle Holder in gauges $\frac{1}{4}$, $\frac{3}{8}$ and $\frac{1}{2}$ in., with 201030f and two 200117f

No.	Plate	Name
201030F	12568	Needle Holder Screw
*222116	—	“ “ Slide with 200117F
200118F	12568	“ “ “ Screw
200117F	12568	“ Set Screw
222117	12568	Needle Holder (adjustable from $\frac{7}{16}$ to $\frac{1}{4}$ in.) complete, Nos. 200118F, 222115 and 222116
14031	12568	Oscillating Rock Shaft with 4784 ..
22157	12568	“ “ “ Crank with 735c
2049	12568	Oscillating Rock Shaft Crank Position Pin
735c	12568	Oscillating Rock Shaft Crank Set Screw
4784	—	Oscillating Rock Shaft Oil Pad ...
7317	12568	“ Shaft
29048	12568	“ “ Crank
2049	12568	“ “ “ Position Pin ...
15170	12568	“ “ “ Slide Block
229D	12562	“ “ “ “ “ Cap Screw
12424	12568	Oscillating Shaft Crank Slide Block Cap Screw Washer
1035c	12568	Oscillating Shaft Crank Slide Block Screw Stud
1519E	12566	Oscillating Shaft Crank Slide Block Screw Stud Nut
15171	12568	Oscillating Shaft Crank Slide Block complete, Nos. 229D, 1035c, 12424 and 15170
735c	12568	Oscillating Shaft Crank Set Screw
29176	12568	Oscillating Shaft Crank complete, Nos. 735c, 1519E, 15171 and 29048
222049	12585	Pattern Cam
233165	12588	“ “ Friction Spring
222096	—	“ “ “ “ Button
222118	—	“ “ “ “ “ Rivet
233166	12569	Pattern Cam Friction Spring complete, Nos. 222016, 222118, 233165 and three 222096
201619E	12569	Pattern Cam Friction Spring Thumb Nut
202120	12569	Pattern Cam Position Pin
647F	12579	“ “ Screw (2)
222016	12569	“ “ Washer
224780	12530	“ Feed Plate
224835	12527	“ “ “ Driving Block ..

No.	Plate	Name
224837	—	Pattern Feed Plate Driving Block 224835 with 201864 and 224836 (2)
201864	12527	Pattern Feed Plate Driving Block Roller
224836	12527	Pattern Feed Plate Driving Block Roller Cap
200121E	12527	Pattern Feed Plate Driving Block Screw (4)
224782	12526	Pattern Feed Plate Driving Lever “ “ “ “ “
201204E	12527	Hinge Screw Stud
1608c	12527	Pattern Feed Plate Driving Lever Hinge Screw Stud Nut
201857	12569	Pattern Feed Plate Driving Lever Roller
201022E	12569	Pattern Feed Plate Driving Lever Roller Stud
401D	12569	Pattern Feed Plate Driving Lever Roller Stud Cap Screw
1520E	12569	Pattern Feed Plate Driving Lever Roller Stud Nut
222020	12526	Pattern Feed Plate Gib (back) ...
222021	12526	“ “ “ “ (front) ..
211F	12569	“ “ “ “ Screw (6)
222018	12527	“ “ “ Pitman
224783	—	“ “ “ “ “ 222018 with 1697c, 1698c, 38446 and 224784
*38444	—	Pattern Feed Plate Pitman End Bearing (left)
38446	12527	Pattern Feed Plate Pitman End Bearing 38444 with 42524, 50016c and two 187D
50016c	12527	Pattern Feed Plate Pitman End Bearing (left) Ball Screw Stud ..
1519E	12566	Pattern Feed Plate Pitman End Bearing (left) Ball Screw Stud Nut
*42524	—	Pattern Feed Plate Pitman End Bearing (left) Cap
187D	12524	Pattern Feed Plate Pitman End Bearing (left) Cap Screw
1698c	12524	Pattern Feed Plate Pitman End Bearing (left) Check Nut
*38443	—	Pattern Feed Plate Pitman End Bearing (right)
224784	—	Pattern Feed Plate Pitman End Bearing 38443 with 42525, 201208c and two 187D

No.	Plate	Name
201208c	12527	Pattern Feed Plate Pitman End Bearing (right) Ball Screw Stud
1520E	12569	Pattern Feed Plate Pitman End Bearing (right) Ball Screw Stud Nut
224826	12527	Pattern Feed Plate Pitman End Bearing (right) Ball Screw Stud Washer
*42525	—	Pattern Feed Plate Pitman End Bearing (right) Cap
187D	12524	Pattern Feed Plate Pitman End Bearing (right) Cap Screw
1697c	12524	Pattern Feed Plate Pitman End Bearing (right) Check Nut
224785	12529	Presser Bar
2062	12527	" " " Lifter
36E	12527	" " " Hinge Screw ...
224786	12527	" " " Lifting Bracket with 453c
453c	12528	Presser Bar Lifting Bracket Set Screw
224787	12529	Presser Bar Spring (flat)
202036	12528	" " " Position Pin ..
201200n	12528	" " " Regulating Thumb Screw
224788	12529	Presser Bar Spring Regulating Thumb Screw Bracket
178E	12566	Presser Bar Spring Regulating Thumb Screw Bracket Screw (2)
201639c	12528	Presser Bar Spring Regulating Thumb Screw Lock Nut
224789	12529	Presser Foot Bracket
224790	12529	" " " Support with 200069E and three 201203E
200069E	12528	Presser Foot Bracket Support Pinch Screw
201203E	12528	Presser Foot Bracket Support Screw
224791	12528	Presser Foot Cord Guide (spring)
224792	12528	" " " " " Arm
200132D	12528	" " " " " " Screw
202603	12528	Presser Foot Cord Guide Arm Screw Washer
201202D	12528	Presser Foot Cord Guide Screw ..
224793	12528	" " " Plate (left or right)
206775	12528	" " " Hinge Pin
224794	—	" " Shank
224795	12528	" " " Guide Block ..

No.	Plate	Name
200055D	12528	Presser Foot Shank Guide Block Screw
224796	12528	Presser Foot Shank Swivel
224797	12528	" " " " " Hinge Connection
201260B	12528	Presser Foot Shank Swivel Hinge Connection Stop Screw
224798	12528	Presser Foot Smoothing Plate
222043	12528	" " " " " Hinge Pin
224799	12528	Presser Foot Smoothing Plate Shank
202109	12528	Presser Foot Smoothing Plate Spring
224800	12528	Presser Foot Smoothing Plate Stop
200172D	12528	" " " " " " Screw
224801	12528	Presser Foot Smoothing Spring (flat)
224802	12528	Presser Foot Smoothing Spring Arm
202108	12531	Presser Foot Smoothing Spring Arm Position Pin (2)
200064E	12531	Presser Foot Smoothing Spring Arm Screw
224803	12531	Presser Foot Smoothing Spring Reinforcement
335E	12576	Presser Foot Smoothing Spring Screw (2)
224804	12537	Presser Foot (hinged) (compensating) complete, Nos. 200064E, 200132D, 201202D, 201260B, 202109, 202603, 222043, 224789 to 224792, 224795, 224797 to 224803, two each 335E, 200172D, 202108, 206775, 224793, 224794, 224796 and four 200055D
224805	12531	Presser Foot Driving Block
200574E	12531	" " " " " Screw (2)
224806	12529	Presser Foot Driving Link
200272D	12531	" " " " " Hinge Screw (2)
221956	12531	Presser Foot Lifting Cam
402D	12531	" " " " " Screw
224807	12531	" " " " " Lever with 1186c
222067	12574	Presser Foot Lifting Lever Driving Lever with 221960 and 221961 ..

No.	Plate	Name
200696E	12574	Presser Foot Lifting Lever Driving Lever Interlocking Stud
222068	12574	Presser Foot Lifting Lever Driving Lever Interlocking Stud Bracket with 200362c
200362c	12574	Presser Foot Lifting Lever Driving Lever Interlocking Stud Bracket Set Screw
201625A	12574	Presser Foot Lifting Lever Driving Lever Interlocking Stud Nut ...
222069	12574	Presser Foot Lifting Lever Driving Lever Interlocking Stud Releaser
200280B	12574	Presser Foot Lifting Lever Driving Lever Interlocking Stud Releaser Hinge Screw
222070	12574	Presser Foot Lifting Lever Driving Lever Interlocking Stud Spring
222084	---	Presser Foot Lifting Lever Driving Lever Interlocking Stud Bracket complete, Nos. 200280B, 200696E, 201625A and 222068 to 222070 ..
221960	12574	Presser Foot Lifting Lever Driving Lever Roller
221961	12574	Presser Foot Lifting Lever Driving Lever Roller Stud
221962	12574	Presser Foot Lifting Lever Driving Lever Spring
1186c	12531	Presser Foot Lifting Lever Pinch Screw
222071	12574	Presser Foot Lifting Lever Shaft..
222009	12575	Ratchet Pawl
221997	12575	" " Bell Crank with 38442 and two 185c
221998	---	Ratchet Pawl Bell Crank 221997 with 30c, 228D, 1654c, 222009 and 222010
38442	12575	Ratchet Pawl Bell Crank Ball Stud
446c	12563	" " " " " " " " Set Screw
185c	12575	Ratchet Pawl Bell Crank Screw ..
*38127	---	" " Driving Eccentric
*222073	---	" " " " " " " " Body
1285c	12575	Ratchet Pawl Driving Eccentric Body Position Screw
443c	12575	Ratchet Pawl Driving Eccentric Body Set Screw
21331	12575	Ratchet Pawl Driving Eccentric Pressure Spring

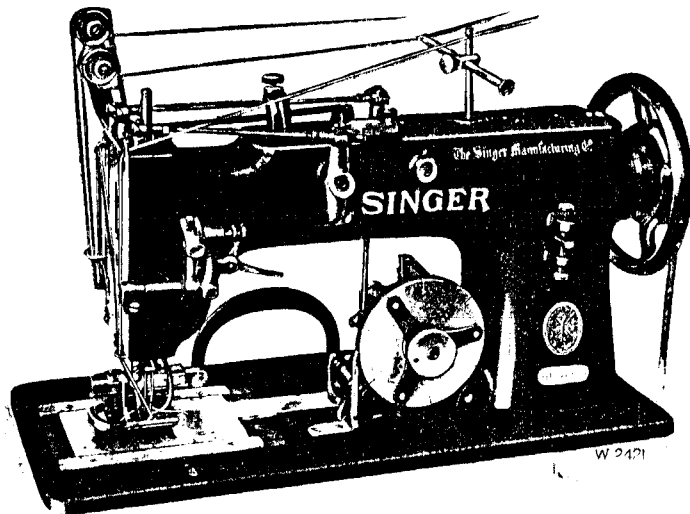
No.	Plate	Name
21332	12575	Ratchet Pawl Driving Eccentric Pressure Spring Cap
934D	12575	Ratchet Pawl Driving Eccentric Pressure Spring Cap Screw
1103c	12575	Ratchet Pawl Driving Eccentric Regulating Screw
196F	12575	Ratchet Pawl Driving Eccentric Set Screw
222074	12575	Ratchet Pawl Driving Eccentric complete, Nos. 196F, 443c, 934D, 1103c, 1285c, 21331, 21332, 38127 and 222073
222075	12529	Ratchet Pawl Driving Pitman with 446c and two 145E
145E	12569	Ratchet Pawl Driving Pitman Screw
30c	12575	Ratchet Pawl Hinge Screw
1654c	12575	" " " " Nut ..
222010	12575	" " Spring
228D	12575	" " Screw
222062	12572	" Wheel, 132 teeth
222112	12572	" " 222062 with 202120 ..
222011	12575	" " Stop with 222012
222012	12575	" " " Position Pin
222013	12575	" " " Spring
222014	12572	" " Stud
224808	12530	" " " Bracket
2049	12568	" " " " Position Pin (2)
134D	12575	Ratchet Wheel Stud Bracket Screw (3)
1504E	12575	Ratchet Wheel Stud Nut
224809	---	Ratchet Wheel Stud Bracket complete, Nos. 401D, 1504E, 1520E, 1608c, 201022c, 201204c, 201619E, 201857, 221998, 222011, 222014, 222049, 222112, 224782, 224808, 233166 and two 647E
2996	12574	Shuttle Bobbin
224840	---	" " Case
15141	---	" " " Hinge, Nos. 2973, 2974 and 15140
15140	12574	Shuttle Bobbin Case Latch
2973	12574	" " " " " Lever
2974	12574	" " " " " " Fulcrum Pin
2975	12574	Shuttle Bobbin Case Latch Spring
592E	12574	" " " " " Stop Screw

No.	Plate	Name
*42525	—	Spreader Driving Arm Pitman End Bearing (front) Cap
187D	12524	Spreader Driving Arm Pitman End Bearing (front) Cap Screw
1697c	12524	Spreader Driving Arm Pitman End Bearing (front) Check Nut
2022	12532	Spreader Driving Arm Position Pin
201816	12532	" " " Roller
201884	—	" " " " 201816 with 201141c
201141c	12588	Spreader Driving Arm Roller Stud
200364F	12588	" " " " " Set Screw
222087	12532	Spreader Driving Arm Shaft
222086	12532	" " " " Collar with 200380c
200380c	12532	Spreader Driving Arm Shaft Collar Set Screw
222052	12572	Spreader Driving Cam with 1285c and 1490c
1285c	12575	Spreader Driving Cam Position Screw
1490c	12579	Spreader Driving Cam Set Screw ..
226D	12532	" Screw
221985	12572	Tension Bracket with 221989 and two 454c
145F	12569	Tension Bracket Screw (2)
224823	—	Tension Bracket complete, Nos. 231c, 221985, 221988, 222038, 224824, two each 724D, 1043c, 1560B, 10148, 22179, 29662 and four 2102
2102	10881	Tension Disc
224824	12533	" Releaser
221988	12579	" " Adjusting Piece
231c	12562	" " " " Screw
724D	12579	" " Screw
222038	12579	" " Spring
221989	12579	" " " Hook
10148	12563	" Spring
1043c	12579	" Stud
196D	12575	" " Set Screw
1560B	12563	" Thumb Nut
221990	12579	Thread Guide (lower)
12149	12579	" " (upper)
222054	12572	" Take-up Cam with 448c, 743c and 1036c

No.	Plate	Name
222055	12572	Thread Take-up Cam 222054 with 1266c, 221908, 221945, 221946, 221956 and two 402D
743c	12579	Thread Take-up Cam Position Screw
448c	12562	Thread Take-up Cam Set Screw ..
224833	12533	" " Lever with 201891 and 222103
77D	—	Thread Take-up Lever Hinge Screw
201891	12568	" " " Roller
222103	12588	" " " " Cap ..
2410	12580	" " Roller
810D	12580	" " " Stop Screw ..
221994	12580	" " " Stud
221995	—	" " " " 221994 with 810D and two 2410
446c	12563	Thread Take-up Roller Stud Set Screw
29662	12580	Thread Take-up Spring
22179	12580	" " " Regulator with 196D
454c	12564	Thread Take-up Spring Regulator Set Screw
224825	12525	Throat Plate
200583D	12536	" " Screw (4)

LIST OF PARTS COMPLETE

FOR



MACHINE No. 115w102

SCALLOP EMBROIDERY.

Purl on outer edge only.

No.	Plate	Name
*234801	—	Arm
234802	12535	" Cover with 202036
202003	12534	" " Cap
200468B	12534	" " " Thumb Screw
200040H	12534	" " Screw (2)
201299B	12534	" " Thread Guide
201525E	12534	" " " " Nut
222053	12562	" Oil Tube (front of Arm) with 29599
29599	—	Arm Oil Tube Packing (felt)
8582	12562	" Position Pin (3)
123E	12562	" Screw (4)
221902	12561	" Shaft
221903	—	" " Bushing (back)
159F	12562	" " " " Screw (3)
222025	12560	" " " (center) with 202260
202260	—	Arm Shaft Bushing (center) Oil Packing (wick)

No.	Plate	Name
200338C	12562	Arm Shaft Bushing (center) Set Screw
221904	12560	Arm Shaft Bushing (front) with 202260
202260	—	Arm Shaft Bushing (front) Oil Packing (wick)
200338C	12562	Arm Shaft Bushing (front) Set Screw
144E	12562	Arm Shaft Screw
221905	12561	Balance Wheel (belt groove 2 3/4 in. diam.) with two 448c
448c	12562	Balance Wheel Set Screw
*224752	—	Bed
224753	12524	Cloth Guide
287B	12563	" " Thumb Screw
222037	12563	Cord Spool Spindle
221916	12563	" " " Bracket with 219B and 287B
219B	12563	Cord Spool Spindle Bracket Set Screw
287B	12563	Cord Spool Spindle Thumb Set Screw
1480H	12563	Cord Spool Stop Screw
221922	12560	Crank Connecting Rod with 777c, 24085, 221923, two each 896E and 1159E
777c	12564	Crank Connecting Rod Ball Screw Stud
1518E	12564	Crank Connecting Rod Ball Screw Stud Nut
*221923	—	Crank Connecting Rod Cap (lower)
1159E	12564	" " " " " Screw
*24085	—	Crank Connecting Rod Cap (upper)
896E	12564	" " " " " Screw
234807	12535	Face Plate
190D	12564	" " Screw (3)
224761	12526	Feed Bar
221927	12560	" " Hinge Pin
443c	12575	" " " " Set Screw ..
221928	12564	" " Lifting Crank with two 1259c
221929	—	Feed Bar Lifting Crank 221928 with 1120c and 201861
201860	12564	Feed Bar Lifting Crank Roller ..
201861	—	" " " " " 201860 with 224827

No.	Plate	Name
224827	12524	Feed Bar Lifting Crank Roller Stud
1120c	—	“ “ “ “ “ “ Set Screw
1259c	12564	Feed Bar Lifting Crank Set Screw
221931	12564	“ “ Spring (flat)
202F	12564	“ “ “ Screw
234808	12535	“ Compensating Lever
224843	12534	“ “ “ Connection
224844	—	“ “ “ “ “ 224843 with 222023, 224784 and two 1697c
*38443	—	Feed Compensating Lever Con- nection End Bearing (left)
222023	12579	Feed Compensating Lever Con- nection End Bearing 38443 with 679c, 42525 and two 187D
679c	12579	Feed Compensating Lever Con- nection End Bearing (left) Ball Screw Stud
*42525	—	Feed Compensating Lever Con- nection End Bearing (left) Cap ...
187D	12524	Feed Compensating Lever Con- nection End Bearing (left) Cap Screw
1697c	12524	Feed Compensating Lever Con- nection End Bearing (left) Check Nut
*38443	—	Feed Compensating Lever Con- nection End Bearing (right)
224784	—	Feed Compensating Lever Con- nection End Bearing 38443 with 42525, 201208c and two 187D
201208c	12527	Feed Compensating Lever Con- nection End Bearing (right) Ball Screw Stud
*42525	—	Feed Compensating Lever Con- nection End Bearing (right) Cap ..
187D	12524	Feed Compensating Lever Con- nection End Bearing (right) Cap Screw
1697c	12524	Feed Compensating Lever Con- nection End Bearing (right) Check Nut
200999c	12524	Feed Compensating Lever Hinge Screw
224765	12527	Feed Compensating Slide Block ..
224766	12527	“ “ “ “ Cap with 200373c

No.	Plate	Name
200580D	12527	Feed Compensating Slide Block Cap Screw
234809	12534	Feed Compensating Slide Block Connection
234810	—	Feed Compensating Slide Block Connection 234809 with 1697c, 1698c, 38446 and 222023
*38443	—	Feed Compensating Slide Block Connection End Bearing (back)
222023	12579	Feed Compensating Slide Block Connection End Bearing 38443 with 679c, 42525 and two 187D ..
679c	12579	Feed Compensating Slide Block Connection End Bearing (back) Ball Screw Stud
*42525	—	Feed Compensating Slide Block Connection End Bearing (back) Cap
187D	12524	Feed Compensating Slide Block Connection End Bearing (back) Cap Screw
1697c	12524	Feed Compensating Slide Block Connection End Bearing (back) Check Nut
*38444	—	Feed Compensating Slide Block Connection End Bearing (front)
38446	12527	Feed Compensating Slide Block Connection End Bearing 38444 with 42524, 50016c and two 187D
50016c	12527	Feed Compensating Slide Block Connection End Bearing (front) Ball Screw Stud
1518E	12564	Feed Compensating Slide Block Connection End Bearing (front) Ball Screw Stud Nut
*42524	—	Feed Compensating Slide Block Connection End Bearing (front) Cap
187D	12524	Feed Compensating Slide Block Connection End Bearing (front) Cap Screw
1698c	12524	Feed Compensating Slide Block Connection End Bearing (front) Check Nut
224774	12525	Feed Dog
205F	12564	“ “ Screw (2)
221933	12564	“ Driving Cam with 455c and 1299c

No.	Plate	Name
1299c	12564	Feed Driving Cam Position Screw
455c	12564	" " " Set Screw
24036	12564	" " " Sleeve
224769	12530	" " Rock Shaft with 443c
224770	—	" " " " 224769 with 221927 and 224761
202305	12564	Feed Driving Rock Shaft Center (2)
200043c	12564	Feed Driving Rock Shaft Center Set Screw (2)
224771	12526	Feed Driving Rock Shaft Crank with 178F
224772	12526	Feed Driving Rock Shaft Crank Connection
224773	—	Feed Driving Rock Shaft Crank Connection 224772 with 1518E, 1519E, 3033, 221941 and two 375c
201201F	12527	Feed Driving Rock Shaft Crank Connection Hinge Screw
200373c	12568	Feed Driving Rock Shaft Crank Connection Hinge Screw Set Screw
178F	12566	Feed Driving Rock Shaft Crank Pinch Screw
224779	12588	Feed Lifting Cam with 455c and 1299c
1299c	12564	Feed Lifting Cam Position Screw
455c	12564	" " " Set Screw
221937	12561	" " Rock Shaft
202305	12564	" " " " Center (2)
200043c	12564	" " " " " Set Screw (2)
221938	12566	Feed Lifting Rock Shaft Crank with 158E
23672	12589	Feed Lifting Rock Shaft Crank Connection with 12204 and two 145E
*12204	—	Feed Lifting Rock Shaft Crank Connection Cap
145E	12569	Feed Lifting Rock Shaft Crank Connection Cap Screw
375c	12566	Feed Lifting Rock Shaft Crank Connection Hinge Screw
1518E	12564	Feed Lifting Rock Shaft Crank Connection Hinge Screw Nut
158E	12588	Feed Lifting Rock Shaft Crank Pinch Screw
221941	12566	Feed Regulating Bell Crank with 201073F and 201624H

No.	Plate	Name
1128E	12566	Feed Regulating Bell Crank Hinge Screw
3033	12566	Feed Regulating Bell Crank Link
375c	12566	" " " " " Hinge Screw (lower)
1518E	12564	Feed Regulating Bell Crank Link Hinge Screw (lower) Nut
375c	12566	Feed Regulating Bell Crank Link Hinge Screw (upper)
1519E	12566	Feed Regulating Bell Crank Link Hinge Screw (upper) Nut
201073F	12566	Feed Regulating Screw Stud
201624H	12566	" " " " Check Nut
201217D	12566	Feed Regulating Thumb Screw (2)
221943	12567	Index Finger
175B	12567	" " Screw (2)
5596	12567	Knee Lifter Bell Crank
5599	12567	" " " " Bracket
178F	12566	" " " " " Screw (2)
5601	12567	Knee Lifter Bell Crank Hinge Pin
5735	12567	" " " " Spring
5598	12567	Knee Lifter Bell Crank complete, Nos. 5596, 5599, 5601 and 5735
222089	12561	Knee Lifter Lifting Lever
222090	12567	" " " " Connecting Rod
12416	12567	Knee Lifter Lifting Lever Connecting Rod Joint
76c	12567	Knee Lifter Lifting Lever Connecting Rod Joint Hinge Screw
1521E	12567	Knee Lifter Lifting Lever Connecting Rod Lock Nut
200224H	12567	Knee Lifter Lifting Lever Hinge Screw
234811	12534	Looper
234812	12535	" Bar with 201259F
222106	12588	" " Bushing (2)
234813	12534	" " Collar with two 201052c
201052c	12534	" " " Set Screw
234814	12534	" " Driving Crank with 1340c and 201026c
1340c	12588	Looper Bar Driving Crank Position Screw
201026c	12534	Looper Bar Driving Crank Set Screw
222088	12532	Looper Driving Arm

No.	Plate	Name
222085	12572	Looper Driving Arm 222088 with 2022, 200364F, 201884 and 222087
234815	12534	Looper Driving Arm Pitman
234816	—	“ “ “ “ 234815 with 1697c, 1698c, 38446, 222023 and 234814
*38444	—	Looper Driving Arm Pitman End Bearing (back)
38446	12527	Looper Driving Arm Pitman End Bearing 38444 with 42524, 50016c and two 187D
50016c	12527	Looper Driving Arm Pitman End Bearing (back) Ball Screw Stud
*42524	—	Looper Driving Arm Pitman End Bearing (back) Cap
187D	12524	Looper Driving Arm Pitman End Bearing (back) Cap Screw
1698c	12524	Looper Driving Arm Pitman End Bearing (back) Check Nut
*38443	—	Looper Driving Arm Pitman End Bearing (front)
222023	12579	Looper Driving Arm Pitman End Bearing 38443 with 679c, 42525 and two 187D
679c	12579	Looper Driving Arm Pitman End Bearing (front) Ball Screw Stud
*42525	—	Looper Driving Arm Pitman End Bearing (front) Cap
187D	12524	Looper Driving Arm Pitman End Bearing (front) Cap Screw
1697c	12524	Looper Driving Arm Pitman End Bearing (front) Check Nut
2022	12532	Looper Driving Arm Position Pin ..
201816	12532	“ “ “ Roller
201884	—	“ “ “ “ 201816 with 201141c
201141c	12588	Looper Driving Arm Roller Stud ..
200364F	12588	“ “ “ “ “ Set Screw
222087	12532	Looper Driving Arm Shaft
222086	12532	“ “ “ “ Collar with 200380c
200380c	12532	Looper Driving Arm Shaft Collar Set Screw
234817	12535	Looper Driving Cam with 1285c and 1490c
1285c	12575	Looper Driving Cam Position Screw
1490c	12579	“ “ “ Set Screw ...
201259F	12534	“ Screw

No.	Plate	Name
231390	12526	Needle Bar (hollow)
234818	12534	“ “ Connecting Link
234819	12534	“ “ “ “ Stud
1036c	12562	“ “ “ “ “ Set Screw
1266c	12562	Needle Bar Connecting Link Stud Set Screw Check Screw
221946	12568	Needle Bar Connecting Stud with 1258c and 1904
1904	12568	Needle Bar Connecting Stud Roller
1258c	12568	“ “ “ “ “ Set Screw
222105	12538	Needle Holder, in gauges $\frac{5}{16}$, $\frac{3}{8}$ and $\frac{7}{16}$ in., with 201030F and two 200117F
*222115	—	Needle Holder Body with 200117F and 201030F
201030F	12568	Needle Holder Screw
*222116	—	“ “ Slide with 200117F ..
200118F	12568	“ “ “ Screw
200117F	12568	“ Set Screw
222117	12568	Needle Holder (adjustable from $\frac{5}{16}$ to $\frac{7}{16}$ in.) complete, Nos. 200118F, 222115 and 222116
14031	12568	Oscillating Rock Shaft with 4784 ..
22157	12568	“ “ “ Crank with 735c
2049	12568	Oscillating Rock Shaft Crank Position Pin
735c	12568	Oscillating Rock Shaft Crank Set Screw
4784	—	Oscillating Rock Shaft Oil Pad ..
7317	12568	“ Shaft
29048	12568	“ “ Crank
2049	12568	“ “ “ Position Pin ..
15170	12568	“ “ “ Slide Block
229D	12562	“ “ “ “ “ Cap Screw
12424	12568	Oscillating Shaft Crank Slide Block Cap Screw Washer
1035c	12568	Oscillating Shaft Crank Slide Block Screw Stud
1519c	12566	Oscillating Shaft Crank Slide Block Screw Stud Nut
15171	12568	Oscillating Shaft Crank Slide Block complete, Nos. 229D, 1035c, 12424 and 15170
735c	12568	Oscillating Shaft Crank Set Screw

No.	Plate	Name
29176	12568	Oscillating Shaft Crank complete, Nos. 735c, 1519E, 15171 and 29048
222049	12585	Pattern Cam
233165	12588	" " Friction Spring
222096	—	" " " " Button
222118	—	" " " " "
		Rivet
201619E	12569	Pattern Cam Friction Spring Thumb Nut
233166	12569	Pattern Cam Friction Spring com- plete, Nos. 222016, 233165 and three 222096
202120	12569	Pattern Cam Position Pin
145F	12569	" " Screw (2)
222016	12569	" " Washer
224780	12530	" Feed Plate
224835	12527	" " " Driving Block ...
224837	—	Pattern Feed Plate Driving Block 224835 with 201864 and 224836 (2)
201864	12527	Pattern Feed Plate Driving Block Roller
224836	12527	Pattern Feed Plate Driving Block Roller Cap
200121E	12527	Pattern Feed Plate Driving Block Screw (4)
224782	12526	Pattern Feed Plate Driving Lever
201204c	12527	" " " " "
		Hinge Screw Stud
1608c	12527	Pattern Feed Plate Driving Lever Hinge Screw Stud Nut
201857	12569	Pattern Feed Plate Driving Lever Roller
201022c	12569	Pattern Feed Plate Driving Lever Roller Stud
401D	12569	Pattern Feed Plate Driving Lever Roller Stud Cap Screw
1520E	12569	Pattern Feed Plate Driving Lever Roller Stud Nut
222020	12526	Pattern Feed Plate Gib (back) ..
222021	12526	" " " " (front) ..
211F	12569	" " " " Screw (6)
222018	12527	" " " Pitman
224783	—	" " " " 222018 with 1697c, 1698c, 38446 and 224784
*38444	—	Pattern Feed Plate Pitman End Bearing (left)

No.	Plate	Name
38446	12527	Pattern Feed Plate Pitman End Bearing 38444 with 42524, 50016c and two 187D
50016c	12527	Pattern Feed Plate Pitman End Bearing (left) Ball Screw Stud ..
1519E	12566	Pattern Feed Plate Pitman End Bearing (left) Ball Screw Stud Nut
*42524	—	Pattern Feed Plate Pitman End Bearing (left) Cap
187D	12524	Pattern Feed Plate Pitman End Bearing (left) Cap Screw
1698c	12524	Pattern Feed Plate Pitman End Bearing (left) Check Nut
*38443	—	Pattern Feed Plate Pitman End Bearing (right)
224784	—	Pattern Feed Plate Pitman End Bearing 38443 with 42525, 201208c and two 187D
201208c	12527	Pattern Feed Plate Pitman End Bearing (right) Ball Screw Stud
1520E	12569	Pattern Feed Plate Pitman End Bearing (right) Ball Screw Stud Nut
224826	12527	Pattern Feed Plate Pitman End Bearing (right) Ball Screw Stud Washer
*42525	—	Pattern Feed Plate Pitman End Bearing (right) Cap
187D	12524	Pattern Feed Plate Pitman End Bearing (right) Cap Screw
1697c	12524	Pattern Feed Plate Pitman End Bearing (right) Check Nut
234820	12535	Presser Bar
2062	12527	" " Lifter
36E	12527	" " " Hinge Screw ...
234821	12536	" " Lifting Bracket with 453c
453c	12528	Presser Bar Lifting Bracket Set Screw
234822	12537	Presser Bar Spring (flat)
202036	12528	" " " Position Pin ...
201286B	12536	" " " Regulating Thumb Screw
224789	12529	Presser Foot Bracket
224790	12529	" " " Support with 200069E and three 201203E
200069E	12528	Presser Foot Bracket Support Pinch Screw

No.	Plate	Name
201203F	12528	Presser Foot Bracket Support Screw
224791	12528	Presser Foot Cord Guide (spring) ..
224792	12528	" " " " Arm
200132D	12528	" " " " " Screw
202603	12528	" " " " " "
		Washer
201202D	12528	Presser Foot Cord Guide Screw ...
224793	12528	" " Plate (left or right) ..
206775	12528	" " " Hinge Pin
224794	—	" " Shank
224795	12528	" " " Guide Block
200055D	12528	" " " " " "
		Screw
224796	12528	Presser Foot Shank Swivel
224797	12528	" " " " Hinge Connection
201260B	12528	Presser Foot Shank Swivel Hinge Connection Stop Screw
224798	12528	Presser Foot Smoothing Plate
222043	12528	" " " " Hinge Pin
224799	12528	Presser Foot Smoothing Plate Shank
202109	12528	Presser Foot Smoothing Plate Spring
224800	12528	Presser Foot Smoothing Plate Stop
200172D	12528	" " " " " "
		Screw
224801	12528	Presser Foot Smoothing Spring (flat)
224802	12528	Presser Foot Smoothing Spring Arm
202108	12531	Presser Foot Smoothing Spring Arm Position Pin
200064F	12531	Presser Foot Smoothing Spring Arm Screw
224803	12531	Presser Foot Smoothing Spring Reinforcement
335F	12576	Presser Foot Smoothing Spring Screw
224804	12537	Presser Foot (hinged) (compensat- ing) complete, Nos. 200064F, 200132D, 201202D, 201260B, 202109, 202603, 222043, 224789 to 224792, 224795, 224797 to 224803, two each 335F, 200172D, 202108, 206775, 224793, 224794, 224796 and four 200055D

No.	Plate	Name
224805	12531	Presser Foot Driving Block
200574E	12531	" " " " Screw (2)
224806	12529	Presser Foot Driving Link
200272D	12531	" " " " Hinge Screw (2)
221956	12531	Presser Foot Lifting Cam
402D	12531	" " " " Screw ..
224807	12531	" " " " Lever with 1186c
222067	12574	Presser Foot Lifting Lever Driving Lever with 221960 and 221961 ..
200696E	12574	Presser Foot Lifting Lever Driving Lever Interlocking Stud
222068	12574	Presser Foot Lifting Lever Driving Lever Interlocking Stud Bracket with 200362c
200362c	12574	Presser Foot Lifting Lever Driving Lever Interlocking Stud Bracket Set Screw
201625A	12574	Presser Foot Lifting Lever Driving Lever Interlocking Stud Nut
222069	12574	Presser Foot Lifting Lever Driving Lever Interlocking Stud Releaser
200280B	12574	Presser Foot Lifting Lever Driving Lever Interlocking Stud Releaser Hinge Screw
222070	12574	Presser Foot Lifting Lever Driving Lever Interlocking Stud Spring ..
222084	—	Presser Foot Lifting Lever Driving Lever Interlocking Stud Bracket complete, Nos. 200280B, 200696E, 201625A and 222068 to 222070 ...
221960	12574	Presser Foot Lifting Lever Driving Lever Roller
221961	12574	Presser Foot Lifting Lever Driving Lever Roller Stud
221962	12574	Presser Foot Lifting Lever Driving Lever Spring
1186c	12531	Presser Foot Lifting Lever Pinch Screw
222071	12574	Presser Foot Lifting Lever Shaft ..
222009	12575	Ratchet Pawl
221997	12575	" " Bell Crank with 38442 and two 185c
221998	—	Ratchet Pawl Bell Crank 221997 with 30c, 228D, 1654c, 222009 and 222010

No.	Plate	Name
38442	12575	Ratchet Pawl Bell Crank Ball Stud
446c	12563	" " " " " "
		Set Screw
185c	12575	Ratchet Pawl Bell Crank Screw ...
*38127	---	" " Driving Eccentric ...
*222073	---	" " " " Body
1285c	12575	" " " " " "
		Position Screw
443c	12575	Ratchet Pawl Driving Eccentric Body Set Screw
21331	12575	Ratchet Pawl Driving Eccentric Pressure Spring
21332	12575	Ratchet Pawl Driving Eccentric Pressure Spring Cap
934D	12575	Ratchet Pawl Driving Eccentric Pressure Spring Cap Screw
1103c	12575	Ratchet Pawl Driving Eccentric Regulating Screw
196F	12575	Ratchet Pawl Driving Eccentric Set Screw
222074	12575	Ratchet Pawl Driving Eccentric complete, Nos. 196F, 443c, 934D, 1103c, 1285c, 21331, 21332, 38127 and 222073
222075	12529	Ratchet Pawl Driving Pitman with 446c and two 145E
145E	12569	Ratchet Pawl Driving Pitman Screw
30c	12575	" " Hinge Screw
1654c	12575	" " " " Nut
222010	12575	" " Spring
228D	12575	" " Screw
222062	12572	" Wheel, 132 teeth
222112	12572	" " 222062 with 202120 ...
222011	12575	" " Stop with 222012
222012	12575	" " " Position Pin
222013	12575	" " " Spring
222014	12572	" " Stud
224808	12530	" " " Bracket
2049	12568	" " " " Position Pin (2)
134D	12575	Ratchet Wheel Stud Bracket Screw (3)
1504E	12575	Ratchet Wheel Stud Nut
224809	---	Ratchet Wheel Stud Bracket com- plete, Nos. 401D, 1504E, 1520E, 1608c, 201022c, 201204c, 201619F, 201857, 221998, 222011, 222014, 222049, 222112, 224782, 224808, 233166 and two 647F

No.	Plate	Name
2996	12574	Shuttle Bobbin
224840	---	" " Case
15141	---	" " " Hinge, Nos. 2973, 2974 and 15140
15140	12574	Shuttle Bobbin Case Latch
2973	12574	" " " " Lever
2974	12574	" " " " " "
		Fulcrum Pin
2975	12574	Shuttle Bobbin Case Latch Spring
592E	12574	" " " " Stop Screw
7553	12531	Shuttle Bobbin Case Position Finger
2523	---	Shuttle Bobbin Case Position Finger Rivet
224842	12536	Shuttle Bobbin Case Tension Spring
591F	12574	" " " " " " Regulating Screw
224841	12536	Shuttle Bobbin Case complete, Nos. 591F, 592E, 2523, 2975, 7553, 15141, 224840 and 224842
15728	12576	Shuttle Body
*22171	---	" Driver
22172	12536	" " 22171 with two 462c ..
2049	12568	" " Position Pin
462c	12576	" " Set Screw
224810	12589	" Pitman
224811	---	" " 224810 with 201520c, 201640c, 224812 and 224813
222099	12576	Shuttle Pitman Bell Crank
221968	12576	" " " " Hinge Pin
443c	12575	" " " " " " Set Screw
224812	12588	Shuttle Pitman End Bearing (left)
201640c	12588	" " " " " "
		Check Nut (L. H. thread)
224813	12588	Shuttle Pitman End Bearing (right)
201520c	12588	" " " " " " Check Nut
374c	---	Shuttle Pitman Hinge Screw(2) ..
1518E	12564	" " " " Nut (2)
39969	12531	" Race Back
2532	12576	" " " Position Pin
2533	12531	" " " Spring
648D	12576	" " " Screw
224831	12529	" " Body
145F	12569	" " " Screw (2)
224829	12529	" " Bracket
224814	12532	" " " Adjusting Slide

No.	Plate	Name
14105	12576	Shuttle Race Bracket Adjusting Slide Position Pin (2)
211F	12569	Shuttle Race Bracket Adjusting Slide Screw
146D	12576	Shuttle Race Bracket Screw (3) ...
234823	—	Shuttle Race Bracket complete, Nos. 7317, 14031, 22157, 22172, 29176, 224829 and three 2049
224815	12532	Shuttle Race Cap
662D	12532	" " " Screw
224832	—	Shuttle Race complete, Nos. 648D, 2533, 39969, 224815, 224831, two each 662D and 2532
234824	12536	Spreader
234825	12536	" Arm with 1340c and 201026c
234826	12536	" " Crank with 1340c and 201026c
1340c	12588	Spreader Arm Crank Position Screw
201026c	12534	Spreader Arm Crank Set Screw ...
234827	12536	" " " Shaft
222106	12588	" " " " Bushing (2)
234813	12534	Spreader Arm Crank Shaft Collar with two 201052c
201052c	12534	Spreader Arm Crank Shaft Collar Set Screw
1340c	12588	Spreader Arm Position Screw
201026c	12534	" " Set Screw
222088	12532	" Driving Arm
222085	12572	" " " 222088 with 2022, 200364F, 201884 and 222087
234829	12537	Spreader Driving Arm Pitman
234830	—	" " " " " 234829 with 222023, 224828, 234826, two each 1697c and 1698c
*38444	—	Spreader Driving Arm Pitman End Bearing (back)
224828	12579	Spreader Driving Arm Pitman End Bearing 38444 with 42524, 201214c and two 187D
201214c	12579	Spreader Driving Arm Pitman End Bearing (back) Ball Screw Stud
*42524	—	Spreader Driving Arm Pitman End Bearing (back) Cap
187D	12524	Spreader Driving Arm Pitman End Bearing (back) Cap Screw
1698c	12524	Spreader Driving Arm Pitman End Bearing (back) Check Nut

No.	Plate	Name
*38443	—	Spreader Driving Arm Pitman End Bearing (front)
222023	12579	Spreader Driving Arm Pitman End Bearing 38443 with 679c, 42525 and two 187D
679c	12579	Spreader Driving Arm Pitman End Bearing (front) Ball Screw Stud
*42525	—	Spreader Driving Arm Pitman End Bearing (front) Cap
187D	12524	Spreader Driving Arm Pitman End Bearing (front) Cap Screw
1697c	12524	Spreader Driving Arm Pitman End Bearing (front) Check Nut
2022	12532	Spreader Driving Arm Position Pin
201816	12532	" " " Roller
201884	—	" " " " 201816 with 201141c
201141c	12588	Spreader Driving Arm Roller Stud
200364F	12588	" " " " " " Set Screw
222087	12532	Spreader Driving Arm Shaft
222086	12532	" " " " Collar with 200380c
200380c	12532	Spreader Driving Arm Shaft Collar Set Screw
234831	12537	Spreader Driving Cam with 1285c and 1490c
1285c	12575	Spreader Driving Cam Position Screw
1490c	12579	Spreader Driving Cam Set Screw
226D	12532	" Screw (2)
221985	12572	Tension Bracket with 221989 and two 454c
647F	12579	Tension Bracket Screw (2)
234832	12537	Tension Bracket complete, Nos. 231c, 221985, 221988, 222038, 224824, two each 724D, 1043F, 1560B, 10148, 22179, 234834 and four 2102
2102	10881	Tension Disc
224824	12533	" Releaser
221988	12579	" " Adjusting Piece
231c	12562	" " " " Screw
724D	12579	" " Screw
222038	12579	" " Spring
221989	12579	" " " Hook
10148	12563	" Spring
1043c	12579	" Stud
196D	12575	" " Set Screw

No.	Plate	Name
1560B	12563	Tension Thumb Nut
221990	12579	Thread Guide (lower)
12149	12579	" " (upper)
222054	12572	" Take-up Cam with 448c, 743c and 1036c
234833	—	Thread Take-up Cam 222054 with 1266c, 221946, 221956, 234818, 234819 and two 402b
743c	12579	Thread Take-up Cam Position Screw
448c	12562	" " " Set Screw ...
224833	12533	" " Lever with 201891 and 222103
77b	—	Thread Take-up Lever Hinge Screw
201891	12568	" " " Roller
222103	12588	" " " " Cap ..
2410	12580	" " Roller
810b	12580	" " " Stop Screw ...
221994	12580	" " " Stud
221995	—	" " " " 221994 with 810b and two 2410
446c	12563	Thread Take-up Roller Stud Set Screw
234834	12536	Thread Take-up Spring
22179	12580	" " " Regulator with 196b
454c	12564	Thread Take-up Spring Regulator Set Screw
224825	12525	Throat Plate
200583b	12536	" " Screw (4)

ACCESSORIES

FOR MACHINE NO. 115w101

No.	Plate	Name
224753	12524	Cloth Guide
287b	12563	" " Thumb Screw
230869	12533	Edge Guide (adjustable)
200178b	12533	" " Screw
230870	12533	Strip Guide on Shank
219a	12563	" and Edge Guide Screw (2) ..
230871	—	Strip and Edge Guide complete, Nos. 200178b 230869 and 230870
36553	12583	Tweezers
16 x 233	—	Needles, twelve, size 14
222100	—	Drip Pan, 17½ in. long, with four wire nails
41400	12583	Machine Rest Pin (wood)
36578	12583	Oiler with 36579
36579	12583	" Spout, 3½ in. long, with 120117
120117	—	" " Washer
*225484	—	Screw Driver Blade
*225485	—	" " Handle
225498	12583	Screw Driver complete (7¼ in. long), Nos. 225484 and 225485
2996	12574	Shuttle Bobbin (5)
*225482	—	" " Case Screw Driver Blade
*225483	—	Shuttle Bobbin Case Screw Driver Handle
225497	12583	Shuttle Bobbin Case Screw Driver complete, Nos. 225482 and 225483
25086	12583	Wrench
25200	12583	"

BOBBIN WINDER

Swing Automatic, Right Hand.

*225451	—	Bobbin Holder
225453	10882	Frame with 202277 and 225438
225454	10882	" Hinge Pin
202277	—	" Oil Packing (wick)
225438	10882	" " Well Cap
225455	10882	" Spring
225456	10882	" " Plunger
202473	10883	Pulley with 200105c

No.	Plate	Name
200105C	—	Pulley Set Screw
*225443	—	Spindle
225452	10882	" 225443 with 225451
225444	10882	Stop Latch
200056E	10882	" " Screw
225458	10882	" " Thumb Lever
225459	10882	" " " " Hinge Stud
225460	10882	" " " " Joint Stud
202478	10882	" " Trip Lever
200299H	10882	" " " " Hinge Screw
225461	10881	Tension Bracket with 201499B
200082D	10881	" " Screw
202104	10881	" " " Washer
2102	10881	" Disc
202407	10881	" Spring
201499B	10881	" Stud
201572N	10881	" " Thumb Nut
225462	10881	Bobbin Winder Tension Bracket complete, Nos. 201572n, 202407, 225461 and two 2102
225433	10883	Bobbin Winder and Tension Bracket Base
225436	10883	Universal Bobbin Winder complete, Nos. 200056E, 200082D, 200299H, 202104, 202473, 202478, 225433, 225444, 225452 to 225456, 225458 to 225460, 225462 and two wood screws $\frac{3}{4}$ in., No. 13, R.H.B.

KNEE LIFTER

2763	12561	Rock Shaft
2777	12561	" " 2763 with 2768, 2770, 2778, 6337 and two 12242
12242	12561	Rock Shaft Hanger with two wood screws 1 in., No. 10
2765	12561	Rock Shaft Knee Arm
2766	12561	" " " " Hub with 356c
356c	12581	Rock Shaft Knee Arm Hub Set Screw
2768	—	Rock Shaft Knee Arm 2765 with 2766 and 2767
2767	12561	Rock Shaft Knee Plate with 356c ..
356c	12581	" " " " Set Screw
6337	12561	" " Lifting Bracket with two 356c
2778	12561	Rock Shaft Lifting Bracket Hook ..

No.	Plate	Name
356c	12581	Rock Shaft Lifting Bracket Hook Set Screw
356c	12581	Rock Shaft Lifting Bracket Set Screw
2770	12561	Rock Shaft Stop Dog with 356c ..
356c	12581	" " " " Set Screw ..

(Other Knee Lifter parts are listed with parts of machine head).

THREAD UNWINDER

For Four Large Spools or Four Large Cones of Thread.

27623	12586	Spool Pin
155c	12581	" " Set Screw
41534	12586	" Rest
41535	—	" " 41534 with 1149c, four each 155c and 27623
1149c	12581	Spool Rest Set Screw
27940	12586	" Stand with 453c
41514	12586	" Weight, 4 in. diam., with 41515
41515	12586	" " Center Pin
27739	12586	Thread Cone (wood)
41633	12586	" Guard with 208E and four 41569
41569	12586	Thread Guard Eyelet
41637	12586	" " Rod (lower)
41638	12586	" " " (upper)
41639	12586	Thread Guard Rod Coupling with two 456c
456c	12563	Thread Guard Rod Coupling Set Screw
41640	—	Thread Guard Rod complete, 30 in. long, Nos. 41637 to 41639
453c	12528	Thread Guard Rod Set Screw
208E	12563	" " Screw
41537	12586	Thread Unwinder complete, for four large spools or four large cones of thread, Nos. 27940, 41535, 41633, 41640, three wood screws 1 in., No. 12, four each 27739 and 41514

FOR MACHINE NO. 115w102

Same as for No. 115w101 with the following exceptions:

138 x 1	—	Needles, six each, sizes 14 and 15, in place of 16x233
---------	---	--

PATTERN CAMS

No.	Plate	Name
222005	12585	Pattern Cam
222026	12585	" "
222027	12585	" "
222028	12585	" "
222029	12585	" "
222030	12585	" "
222031	12585	" "
222032	12585	" "
222033	12585	" "
222034	12585	" "
222035	12585	" "
222036	12585	" "
222049	12585	" "
222079	12585	" "
222092	12585	" "
222121	12587	" "
222122	12587	" "
222123	12587	" "
222124	12587	" "
222125	12587	" "
222126	12587	" "
222127	12587	" "

FEED DOGS

224774	12525	Feed Dog, for 224825
224775	12525	" " (coarse), for 224825

RATCHET WHEELS

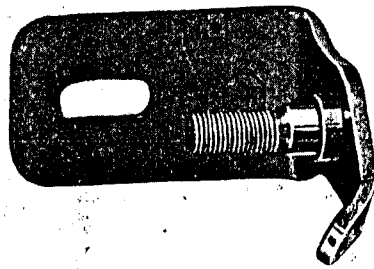
No.	Plate	Name
222008	---	Ratchet Wheel, 48 teeth, with 202120
222048	---	Ratchet Wheel, 66 teeth, with 202120
222061	---	Ratchet Wheel, 116 teeth
222062	12572	" " 132 teeth
222063	---	" " 144 teeth
222111	12572	" " 222061 with 202120 ..
222112	12572	" " 222062 with 202120 ..
222113	12572	" " 222063 with 202120 ..

OBSOLETE PARTS

27552	12584	Bobbin Winder Base
27302	12584	" " Frame
27303	12584	" " " Spring
27553	12584	" " Pulley
27538	12584	" " Spindle with 15072 ..
27306	12584	" " Spool Pin
27307	12584	" " " Stand
27308	12584	Bobbin Winder Spool Stand com- plete, Nos. 418D, 1562D, 2106, 10141, 11241, 27306, 27307, two each 2455 and wood screws 1 in., No. 10
27312	12581	Bobbin Winder Stop Latch
27650	12584	" " Nos. 32D, 35B, 27302, 27303, 27312, 27538, 27552, 27553 and two wood screws 1 in., No. 7

PLATE 10881-FULL SIZE

225461



200082



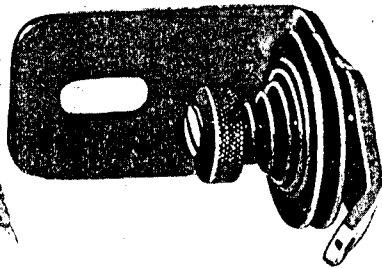
202104



2102



225462



202407



201499



201572



PLATE 10882—FULL SIZE

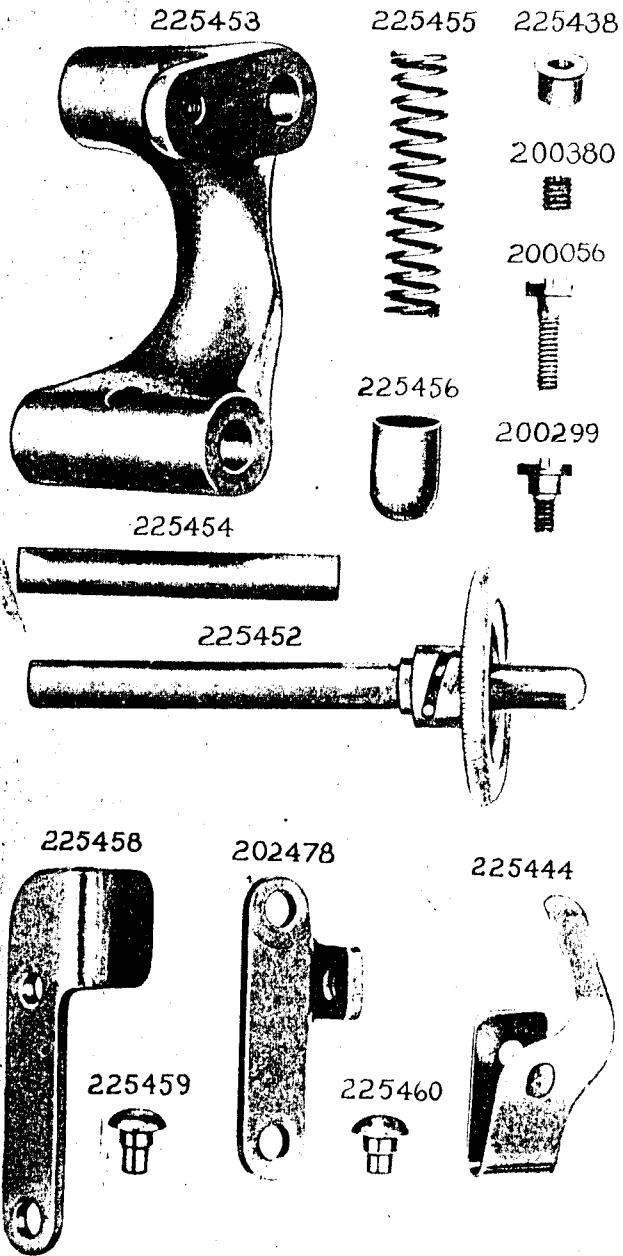


PLATE 10883 ONE-FOURTH SIZE

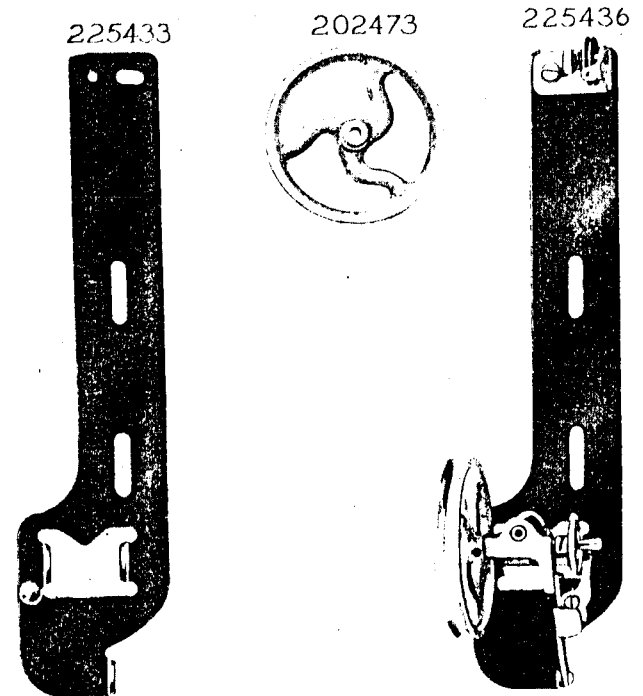


PLATE 12524-FULL SIZE

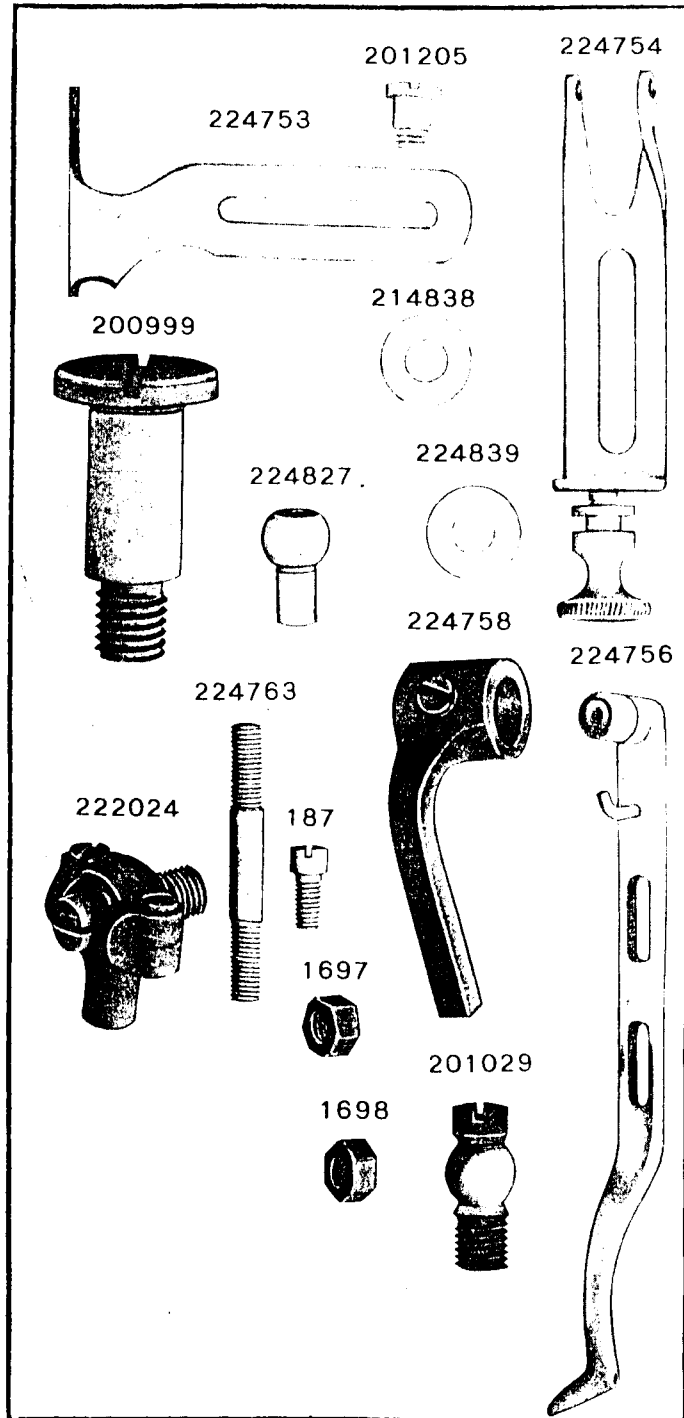


PLATE 12525-FULL SIZE

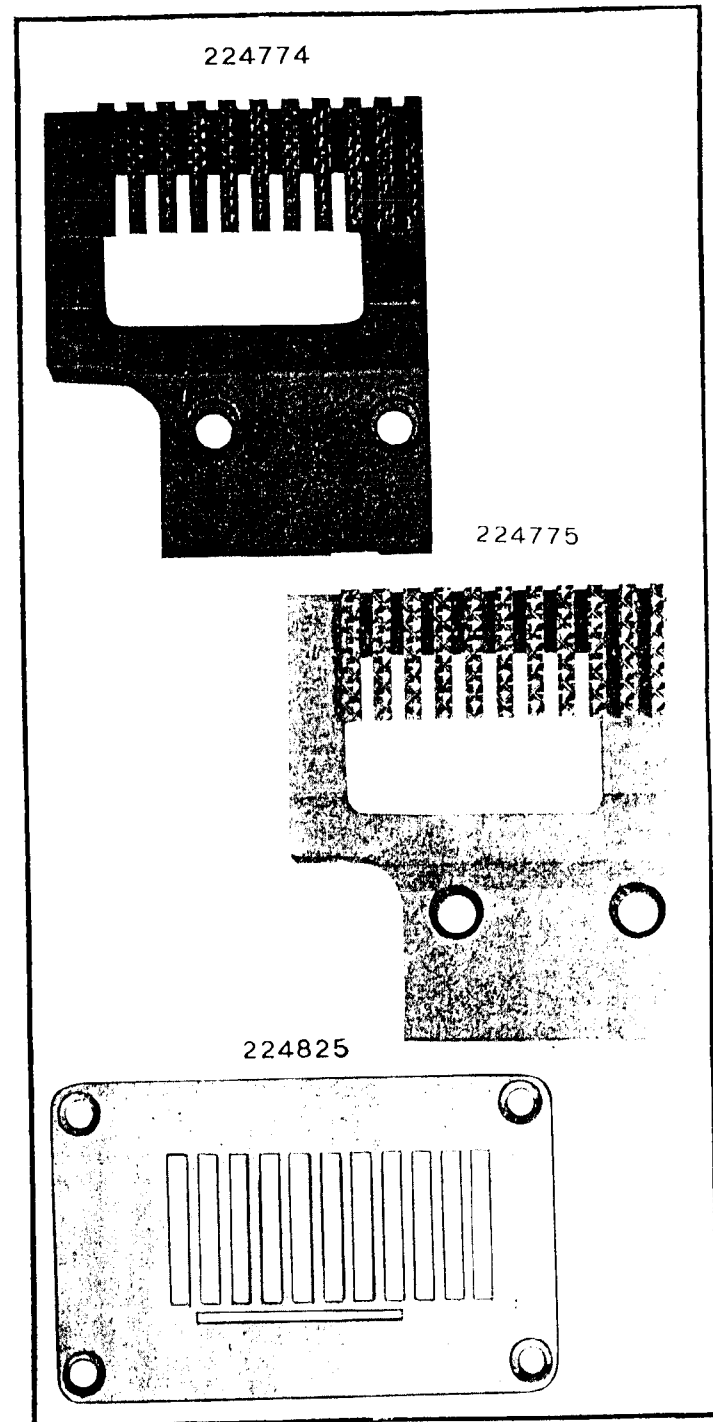


PLATE 12526—ONE-HALF SIZE

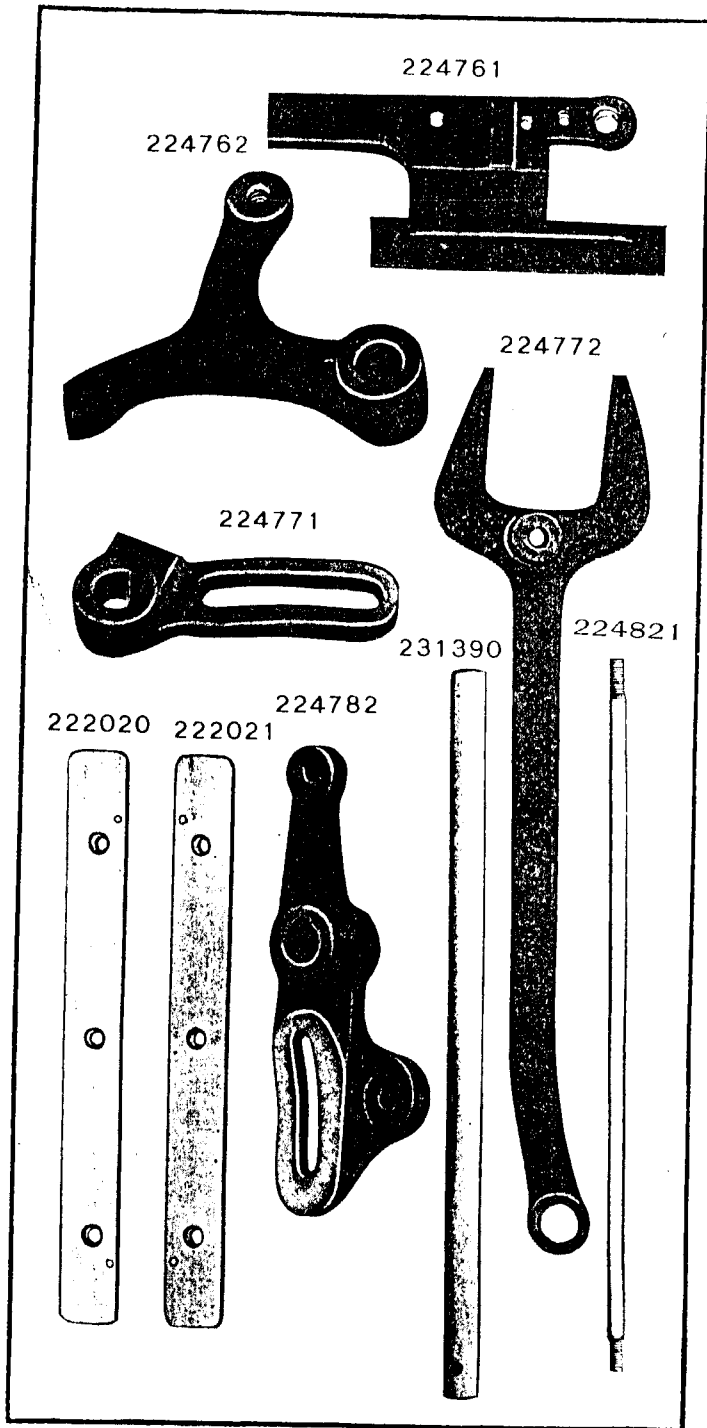


PLATE 12527—FULL SIZE

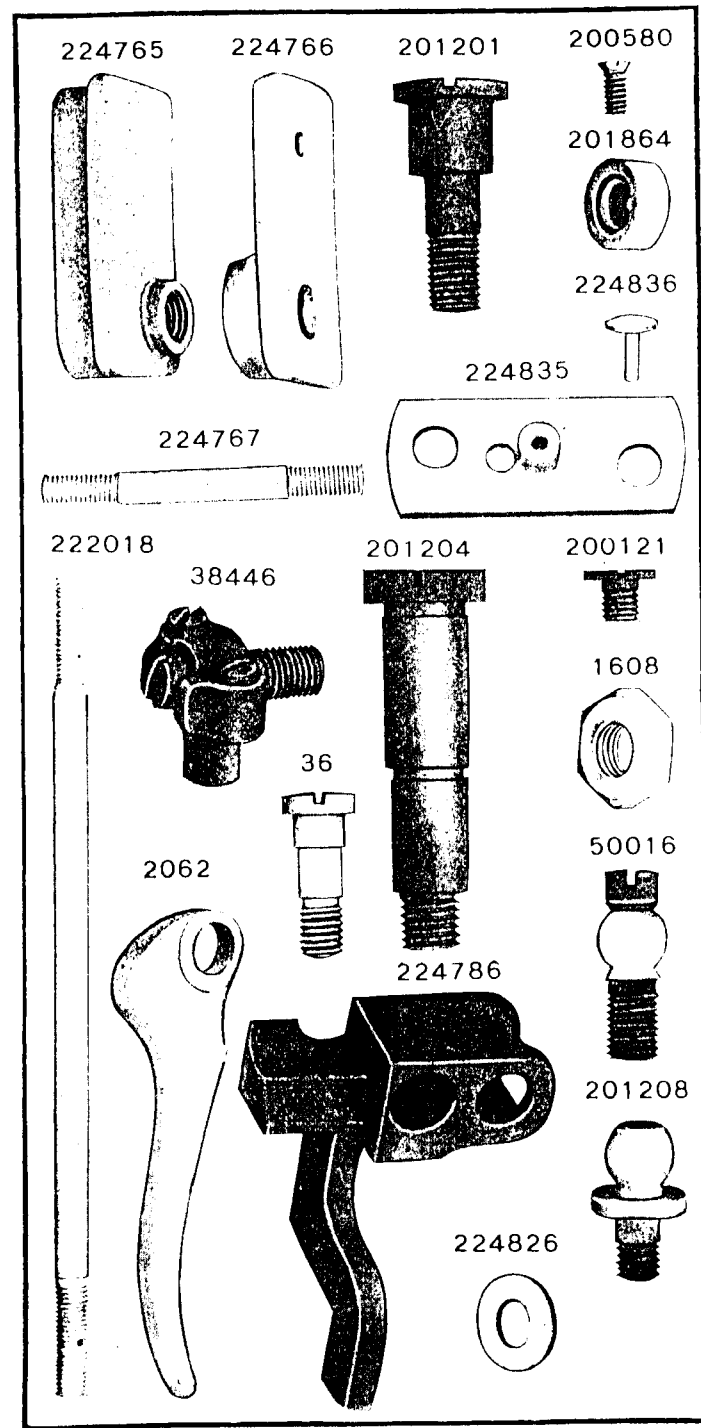


PLATE 12528—FULL SIZE

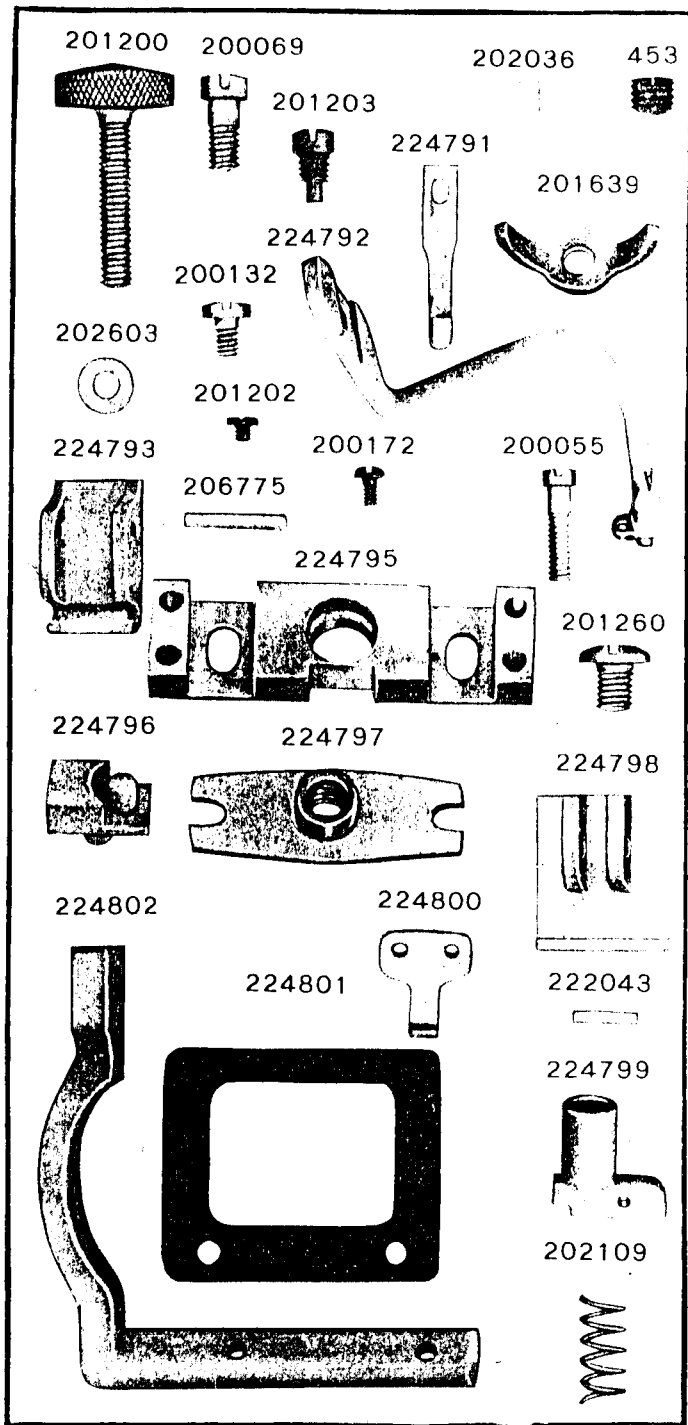


PLATE 12529—ONE-HALF SIZE

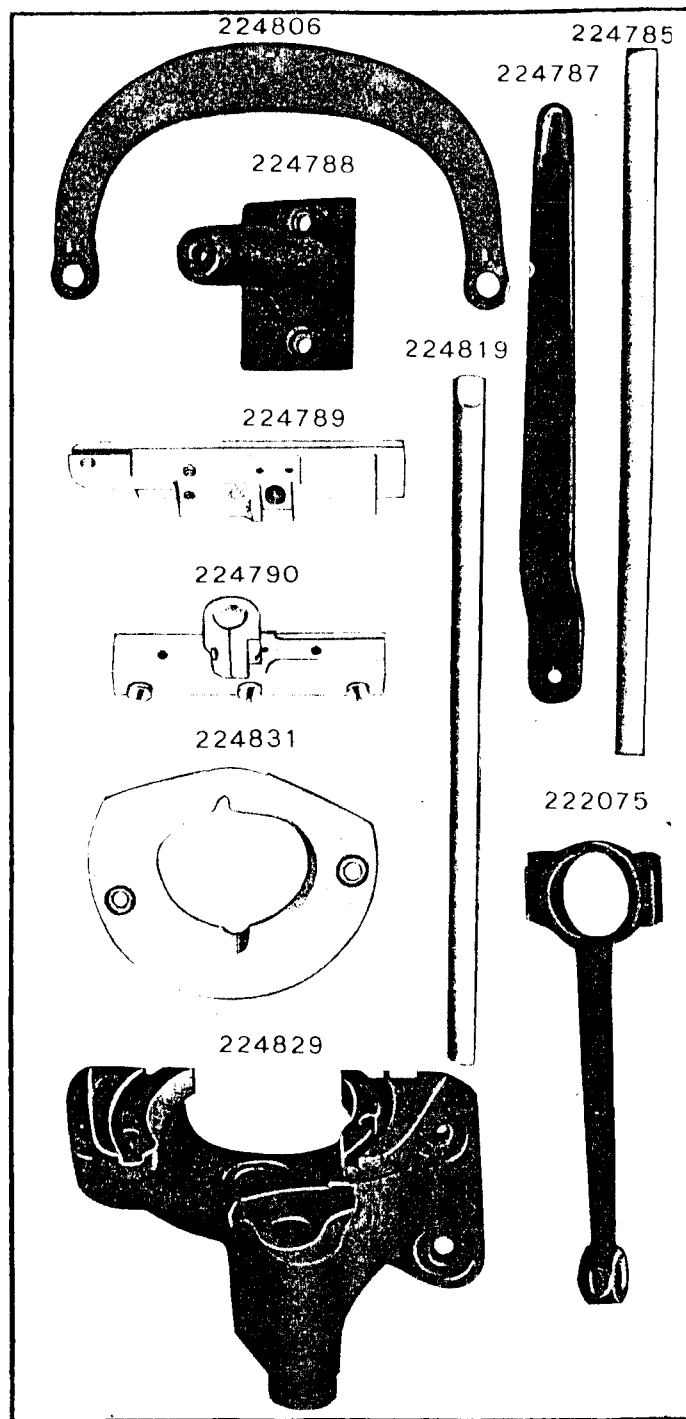


PLATE 12530--ONE-FOURTH SIZE

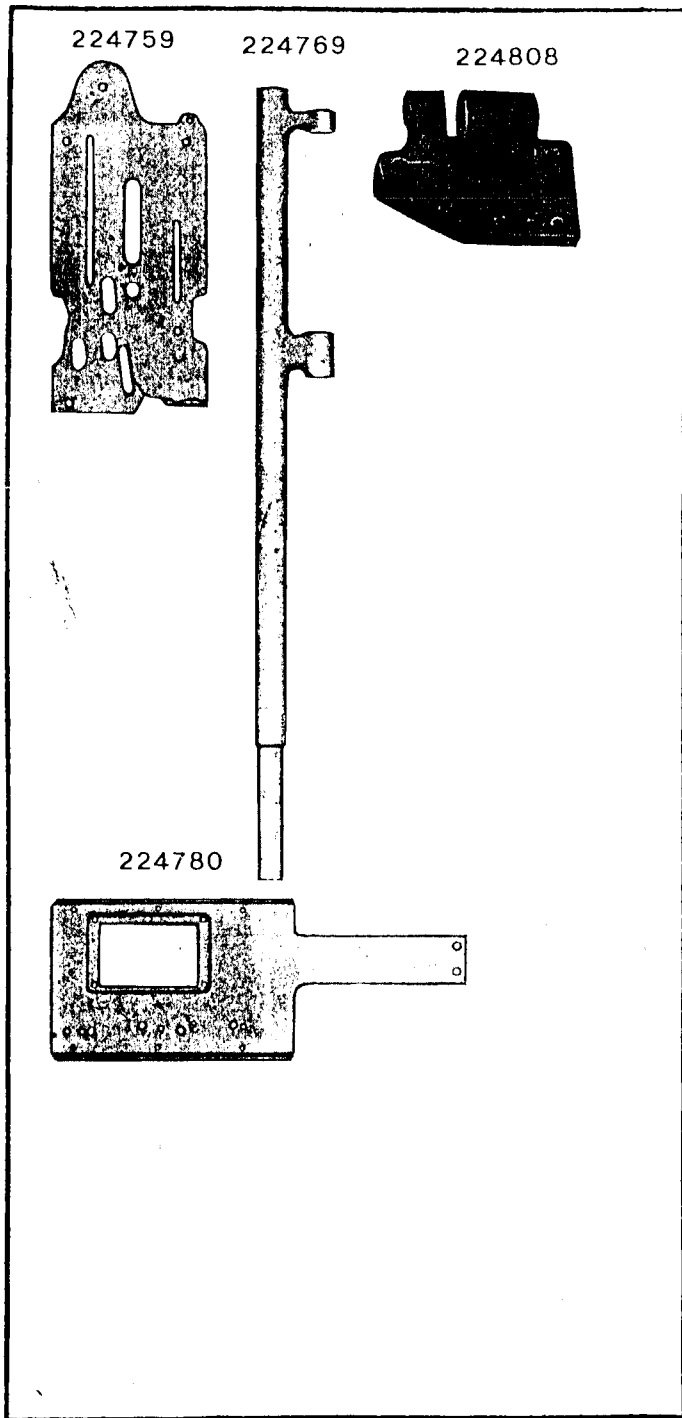


PLATE 12531--FULL SIZE

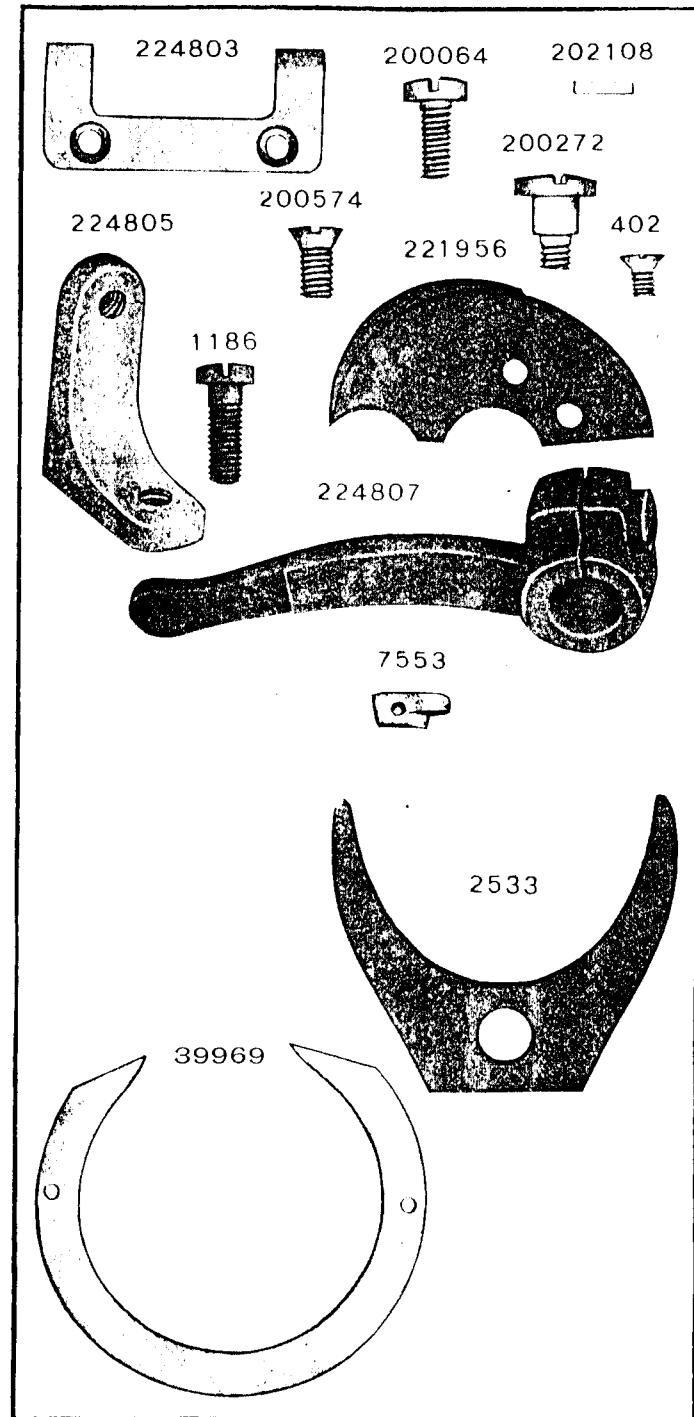


PLATE 12532-FULL SIZE

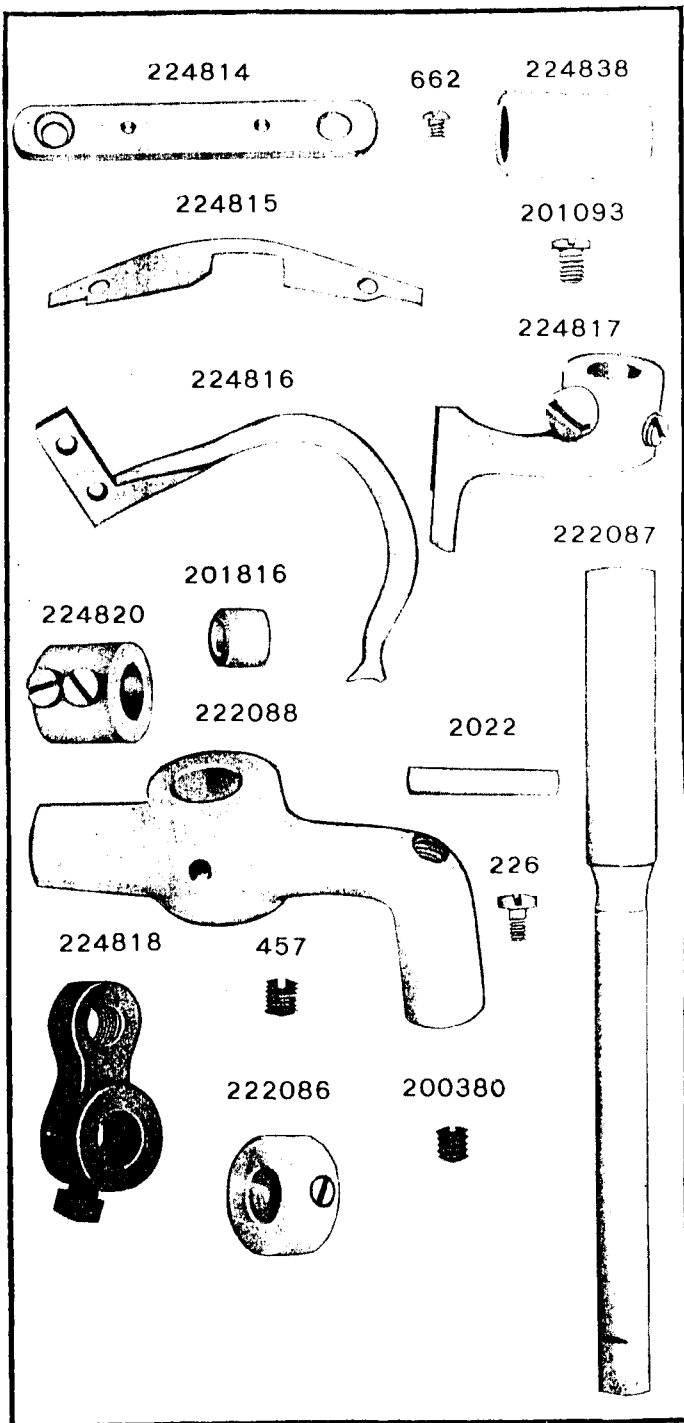


PLATE 12533-FULL SIZE

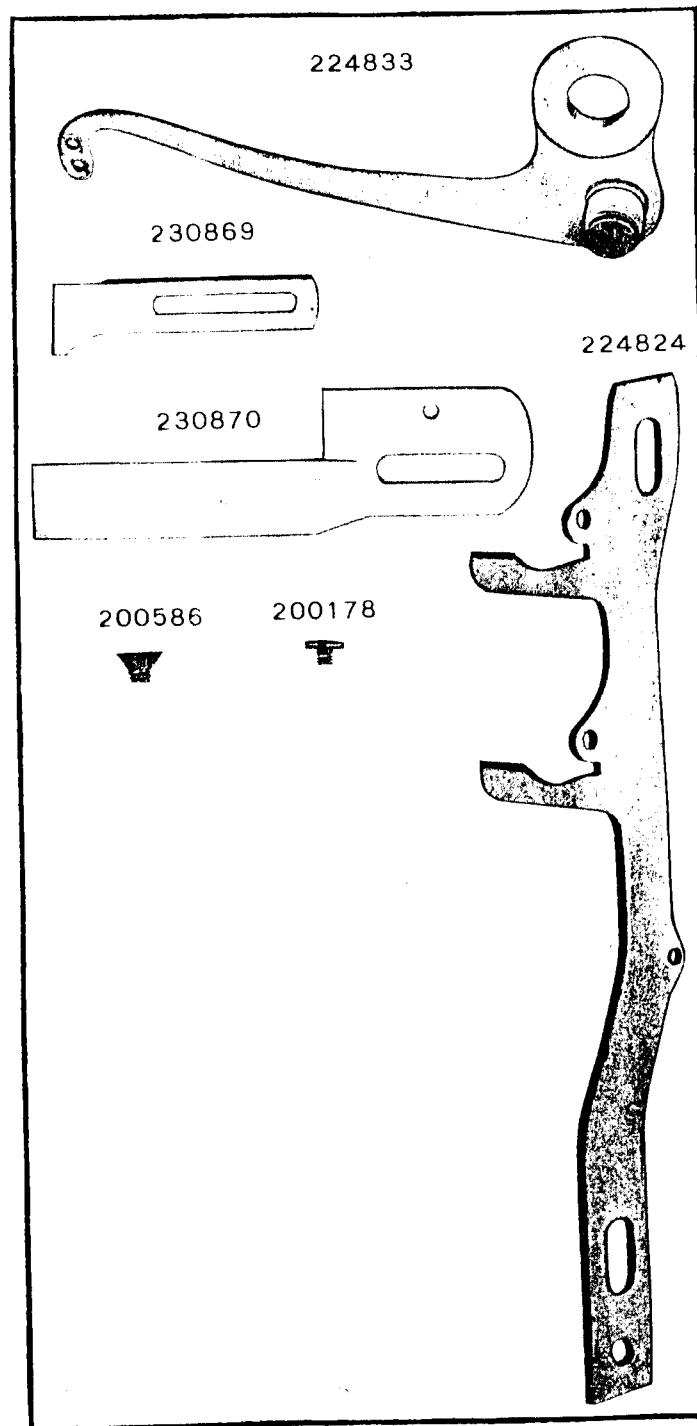


PLATE 12534 - FULL SIZE

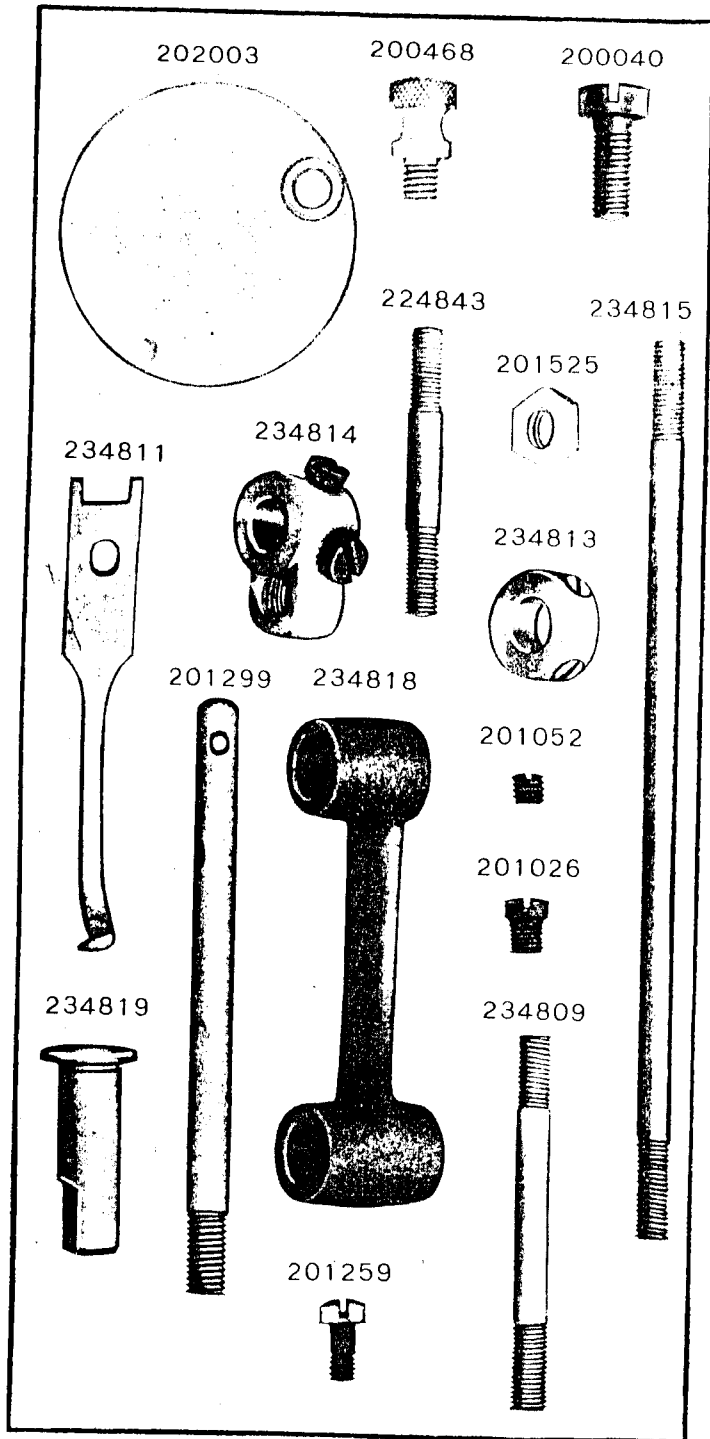


PLATE 12535 - ONE-HALF SIZE

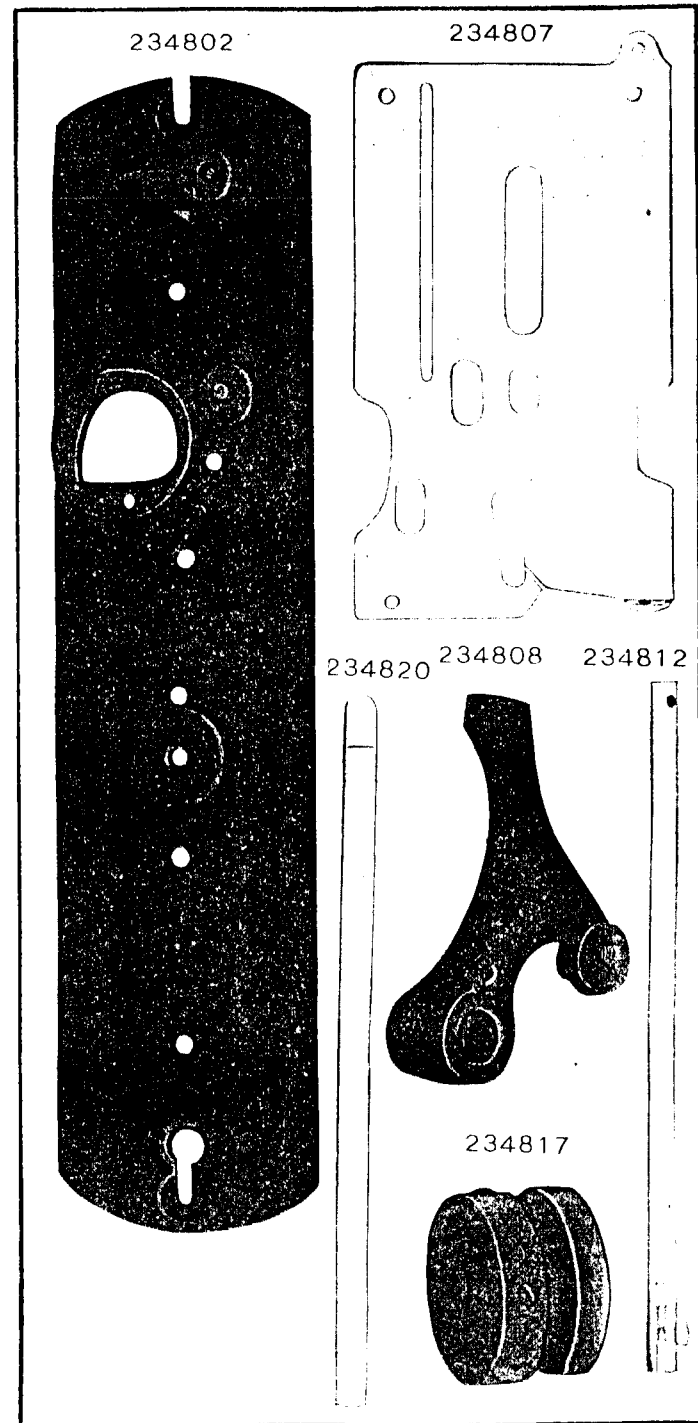


PLATE 12536—FULL SIZE

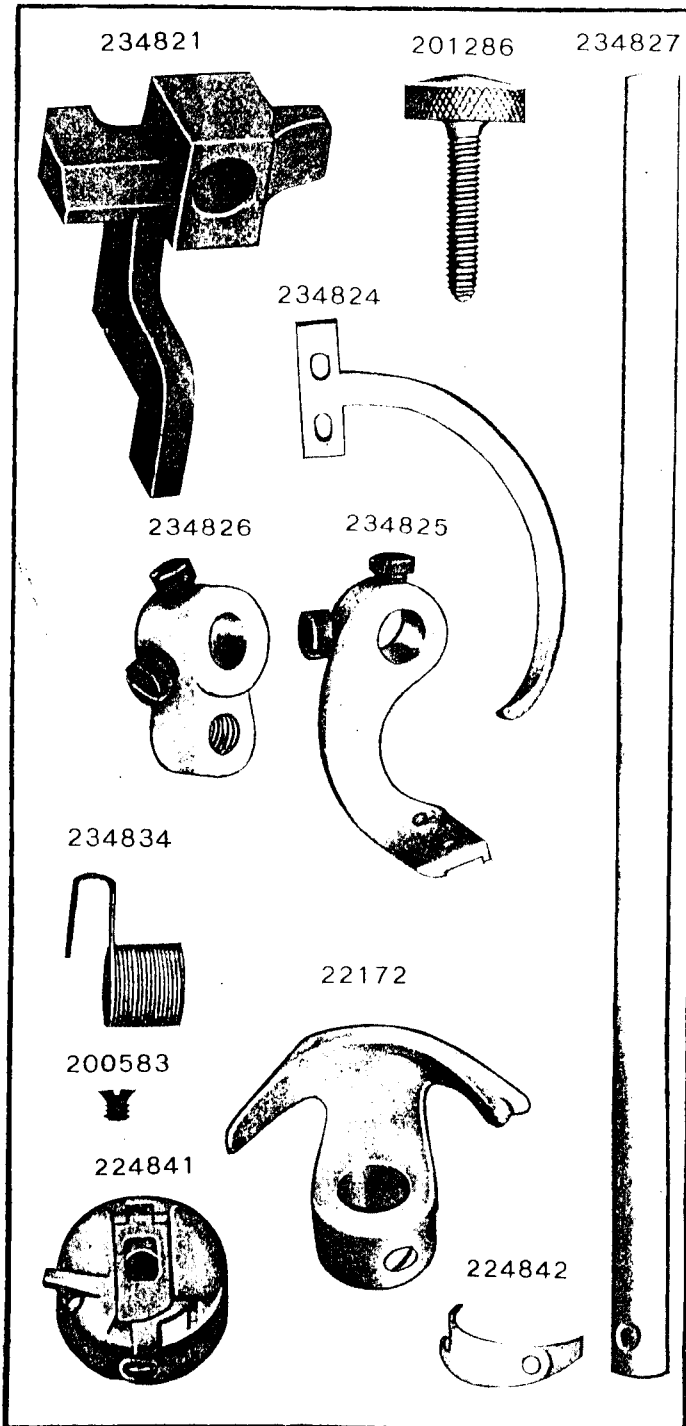


PLATE 12537—ONE-HALF SIZE

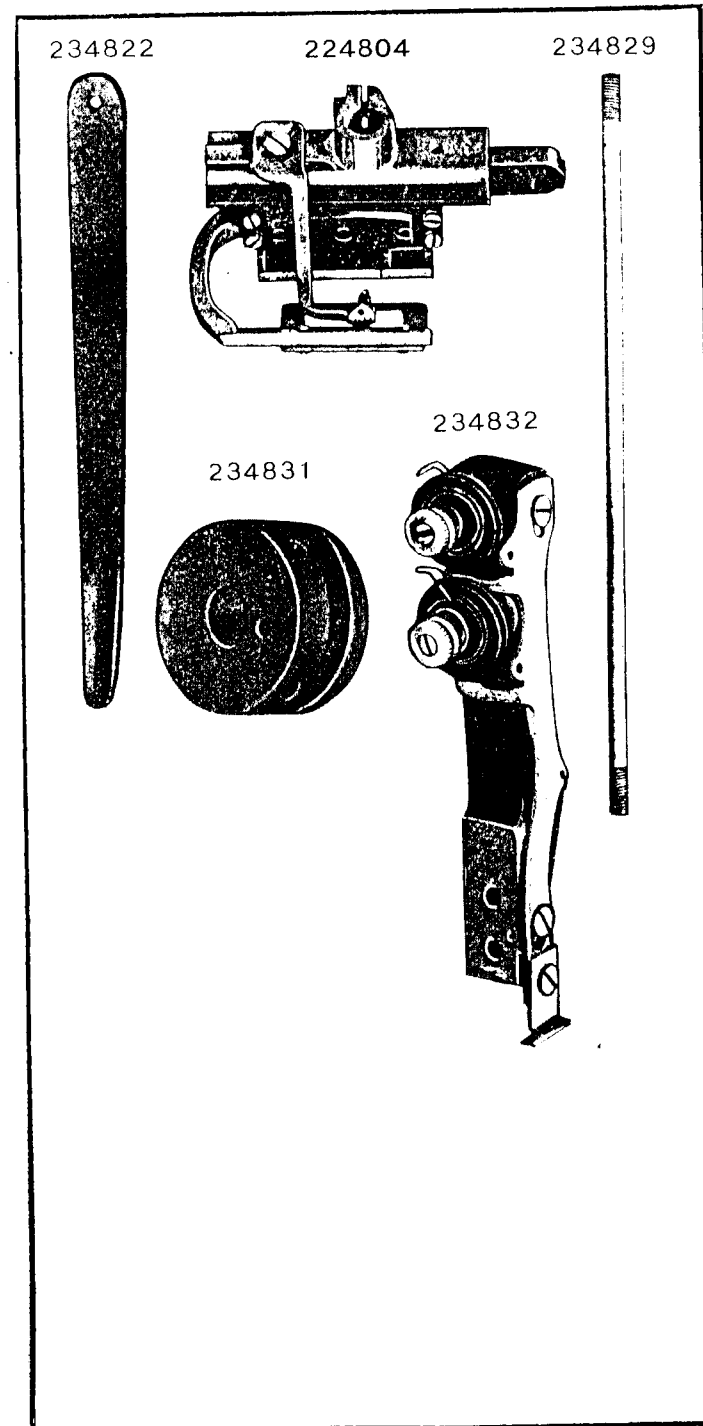


PLATE 12560-ONE-HALF SIZE

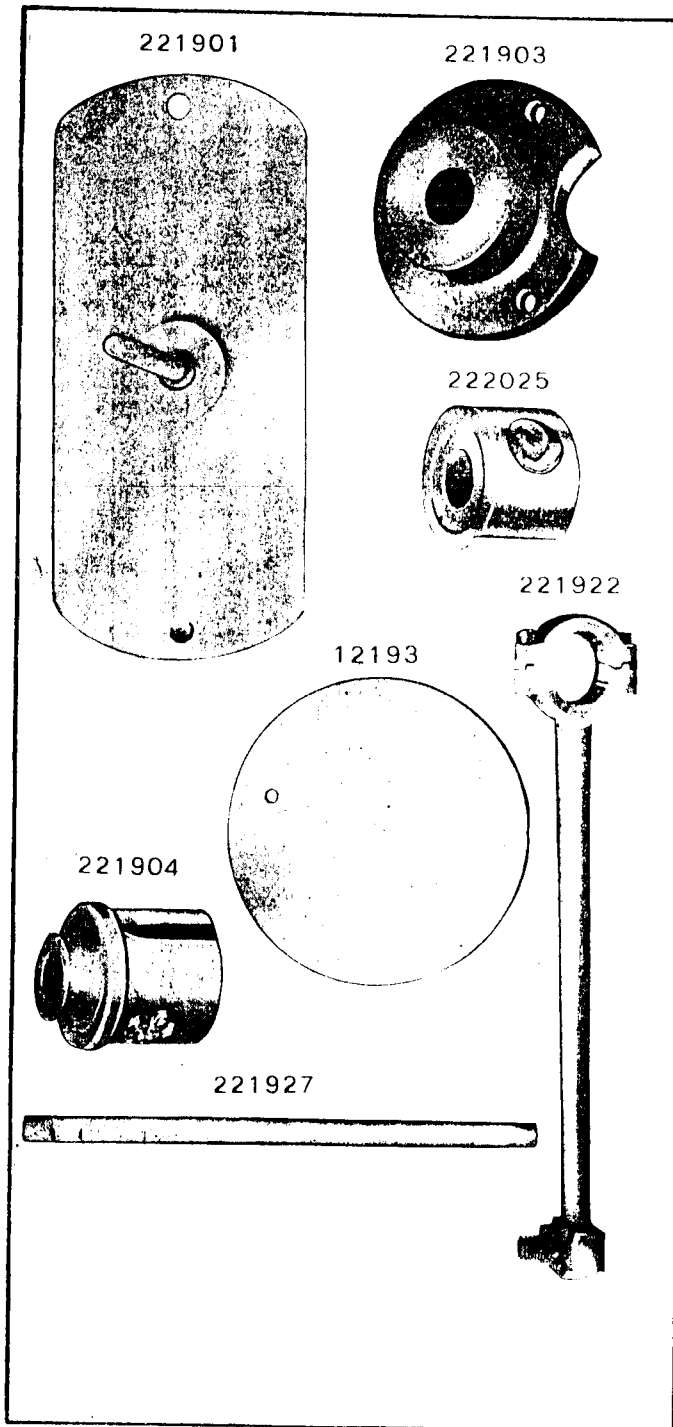


PLATE 12561-ONE-FOURTH SIZE

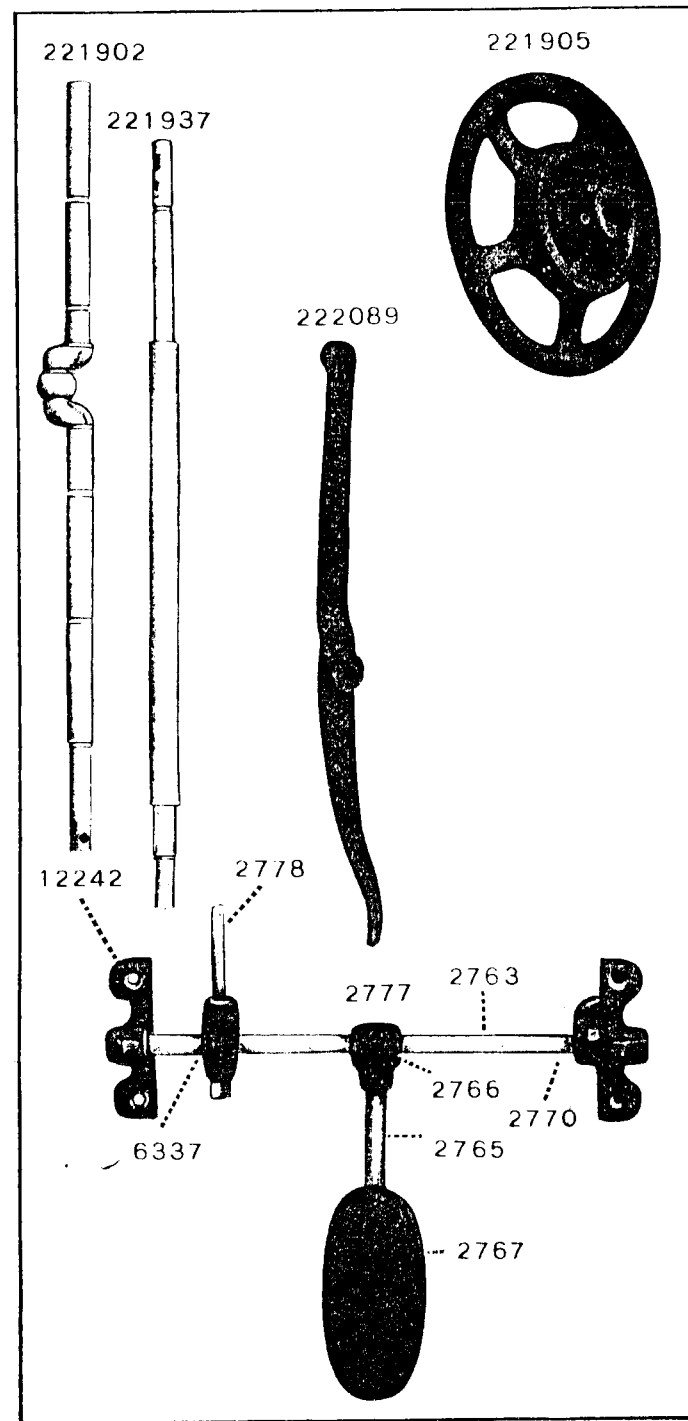


PLATE 12562 -FULL SIZE

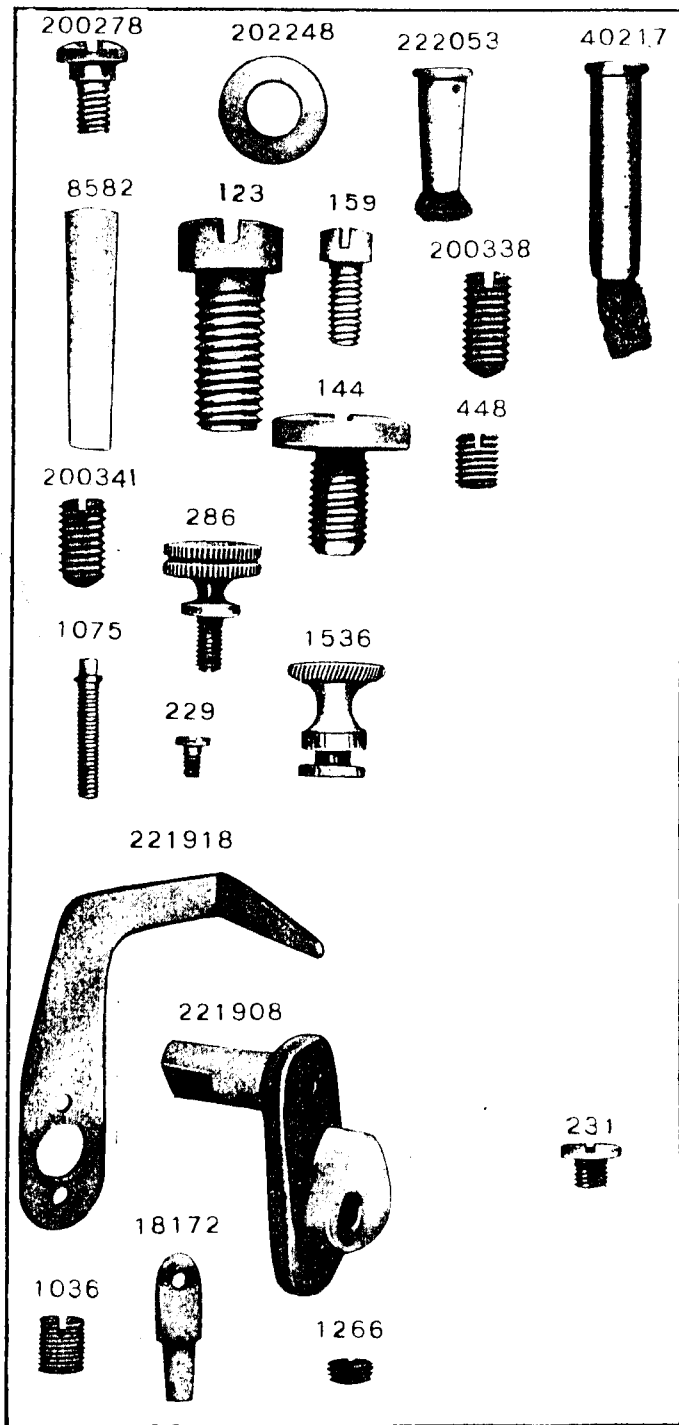


PLATE 12563 -FULL SIZE

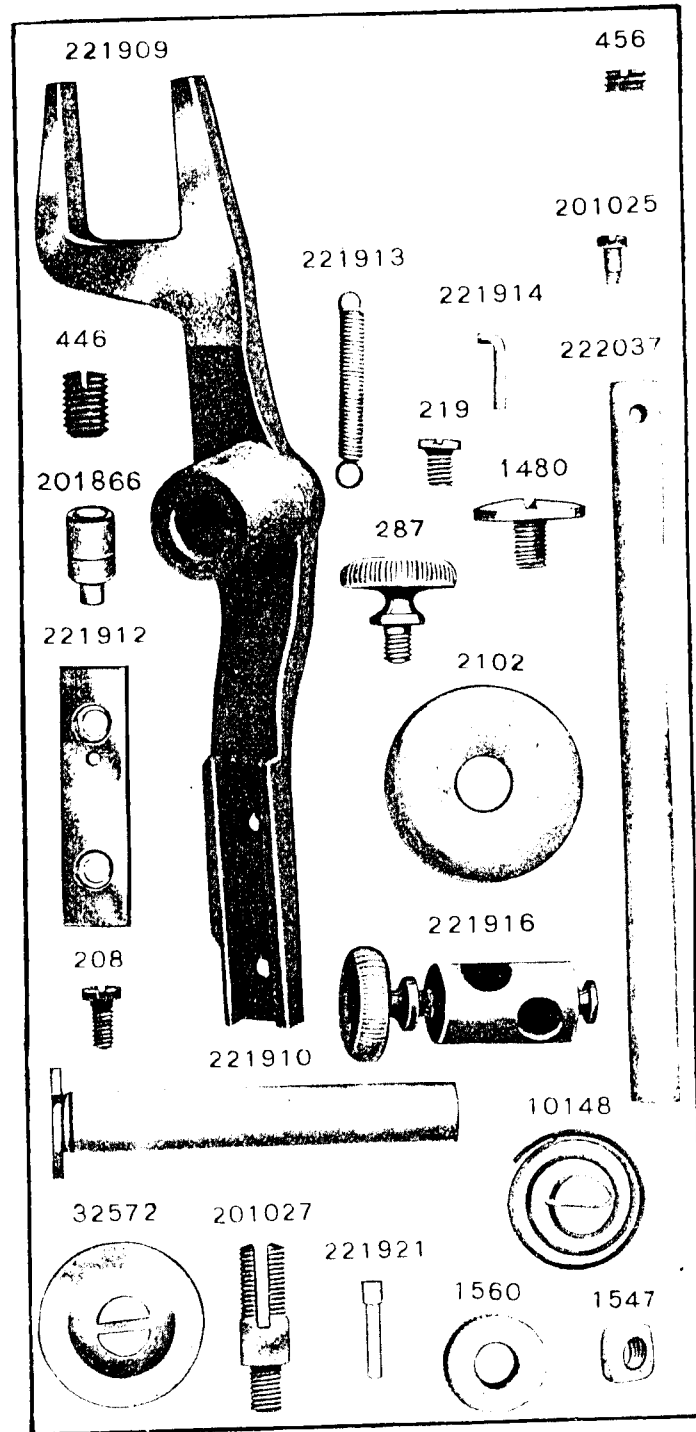


PLATE 12564 -FULL SIZE

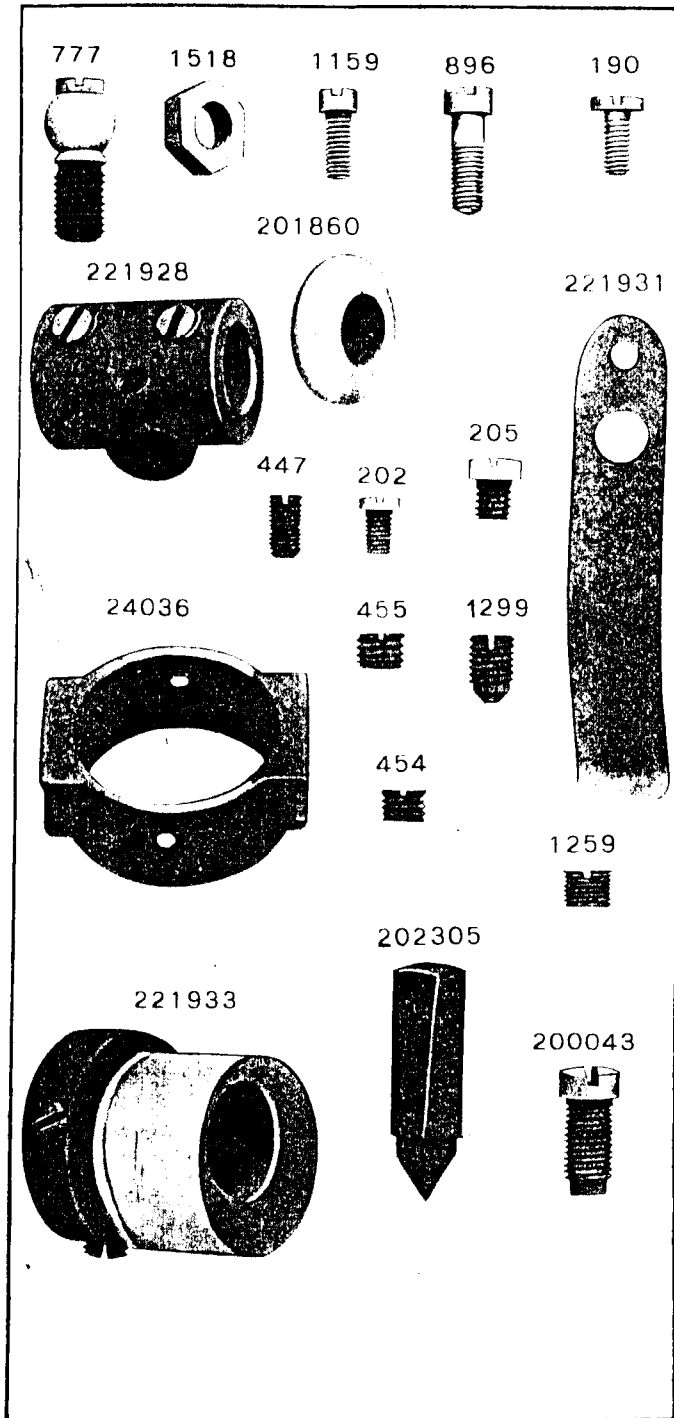


PLATE 12566 -FULL SIZE

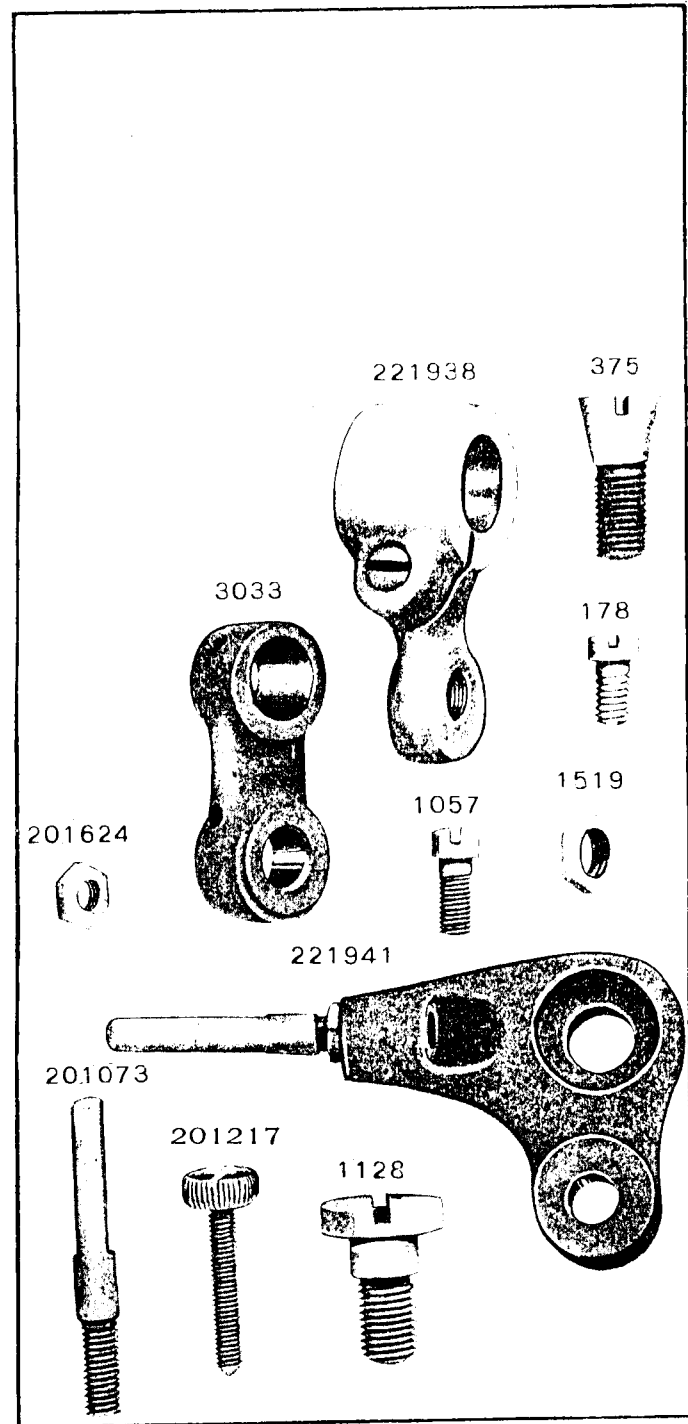


PLATE 12567 -FULL SIZE

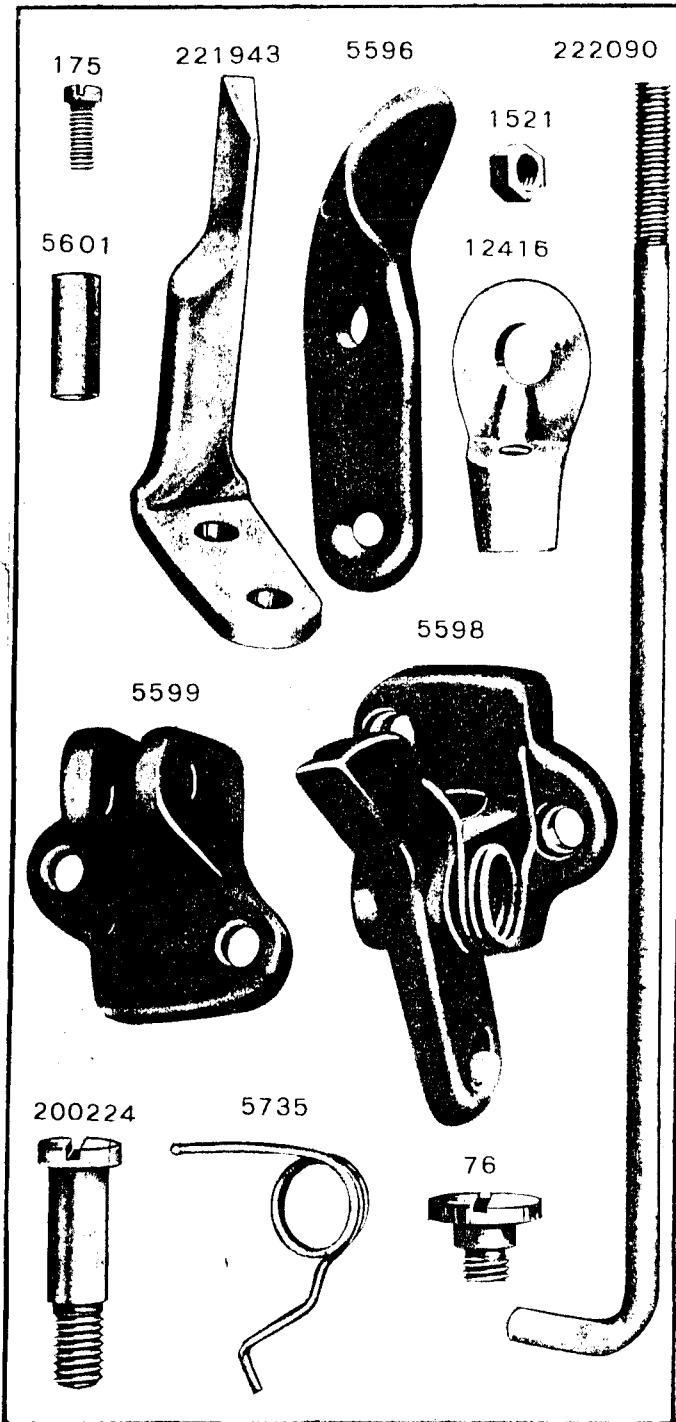


PLATE 12568 -FULL SIZE

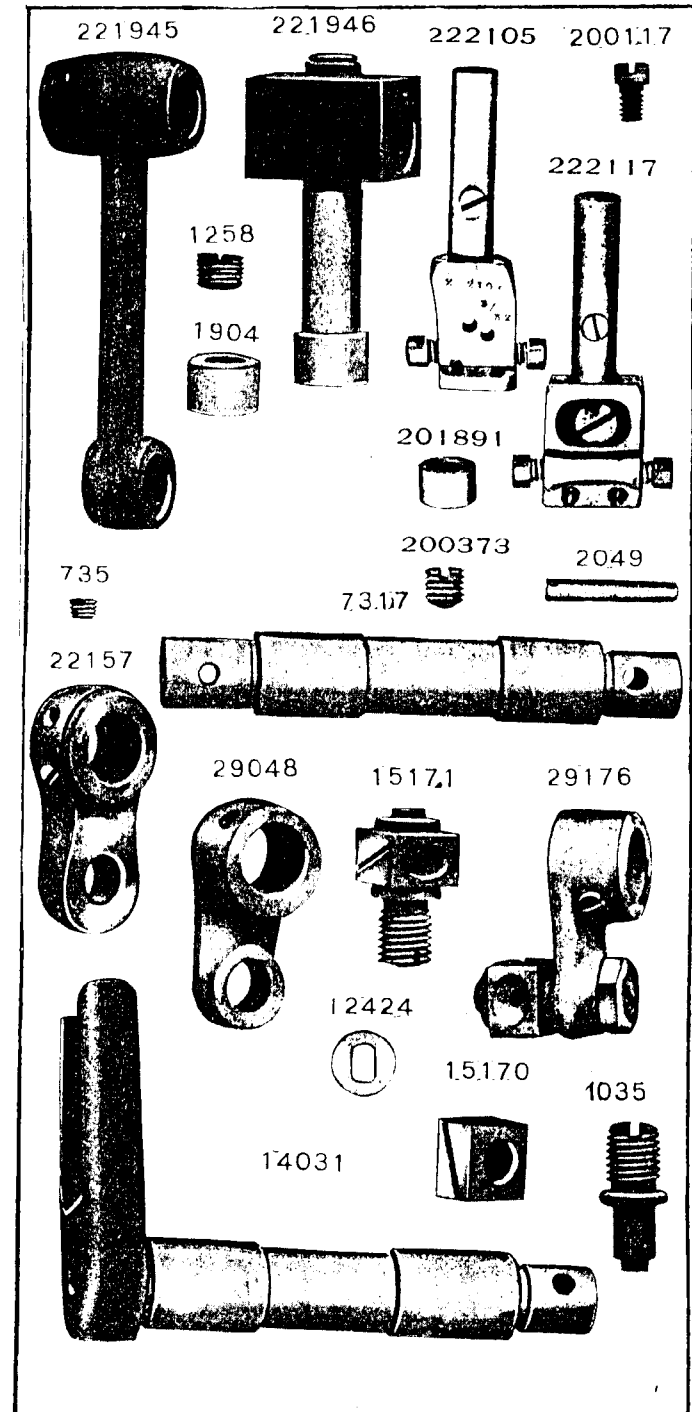


PLATE 12569 -FULL SIZE

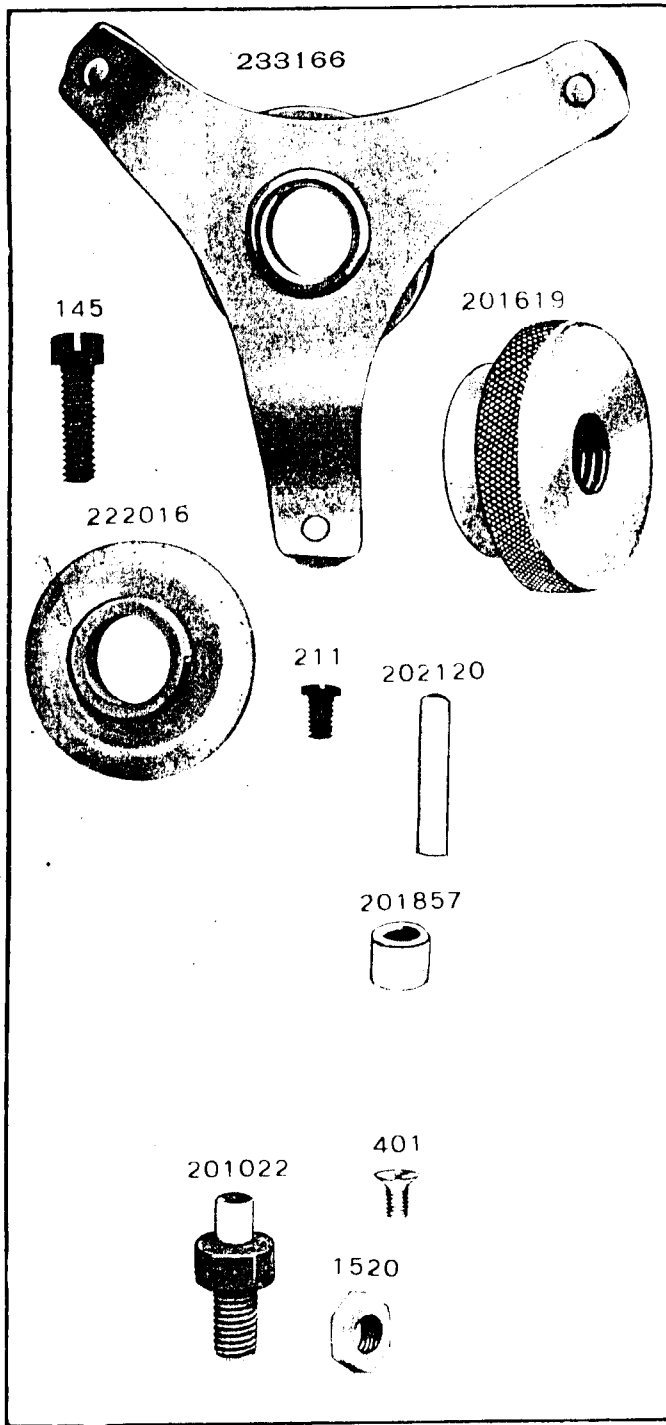


PLATE 12572 -ONE-HALF SIZE

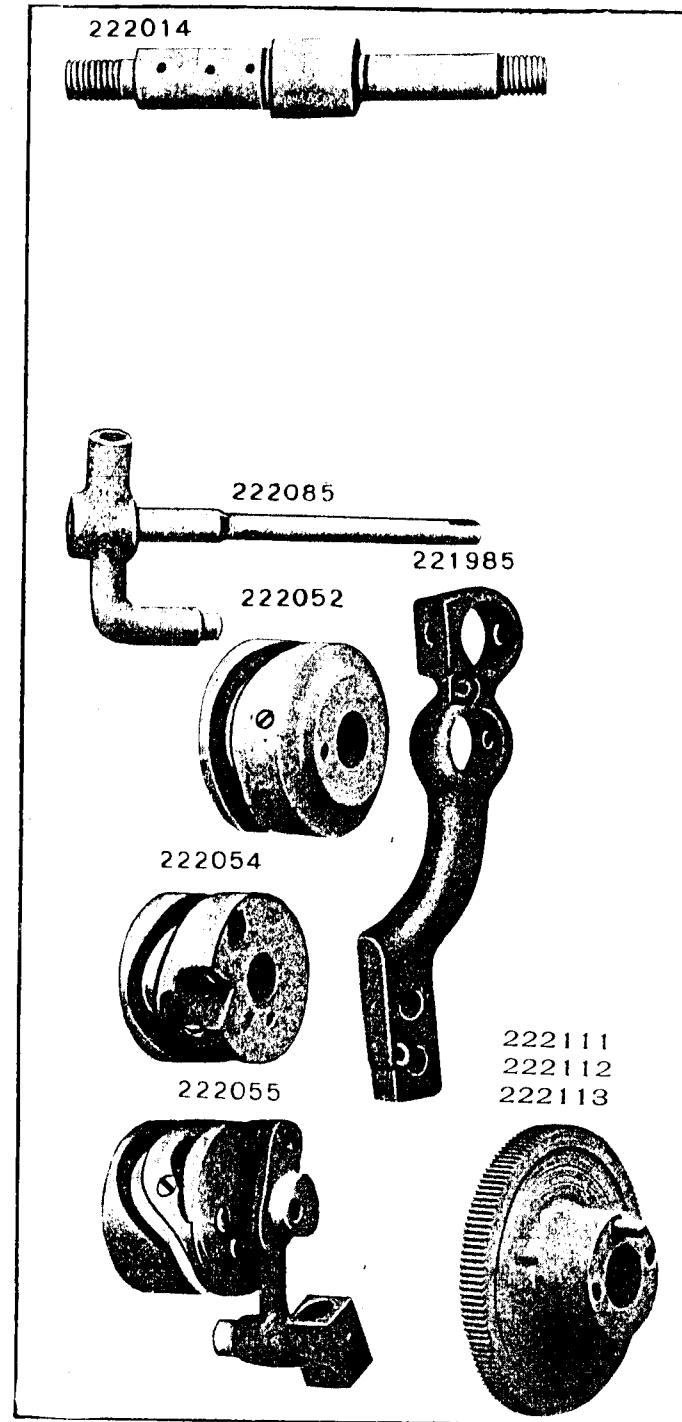


PLATE 12574 -FULL SIZE

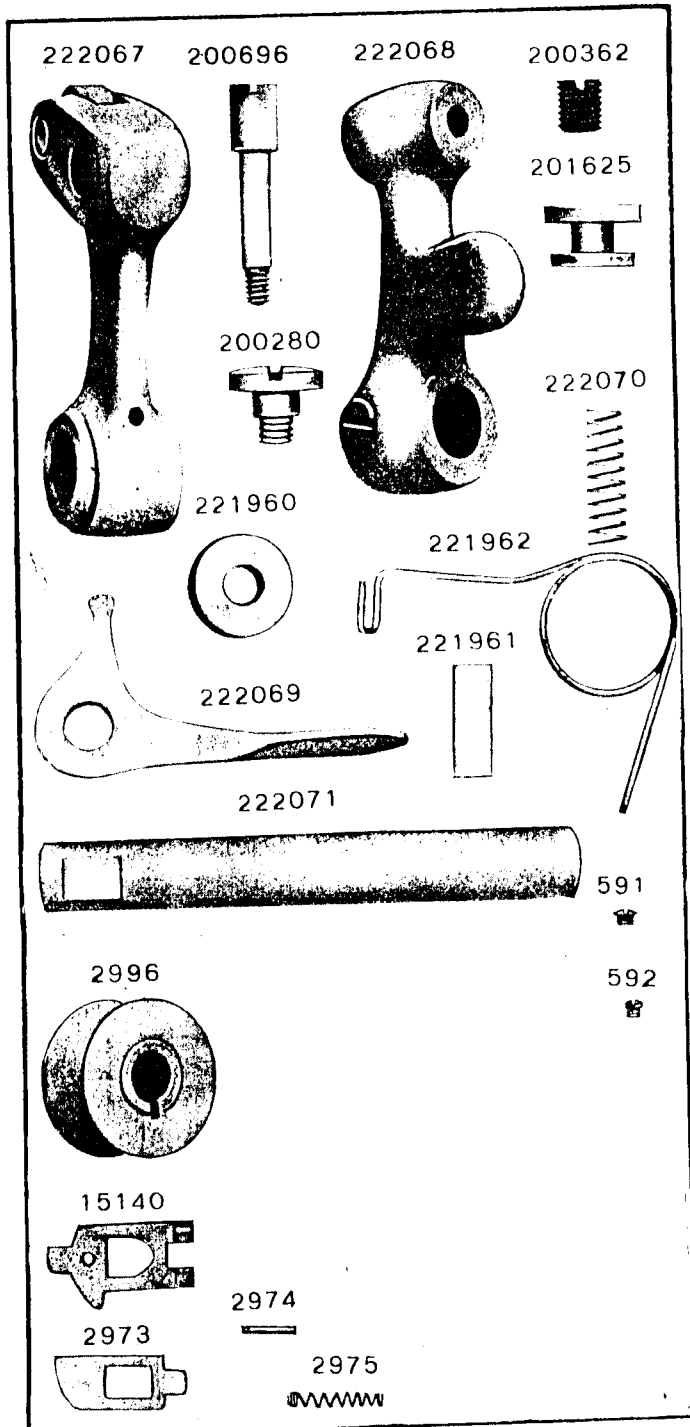


PLATE 12575 -FULL SIZE

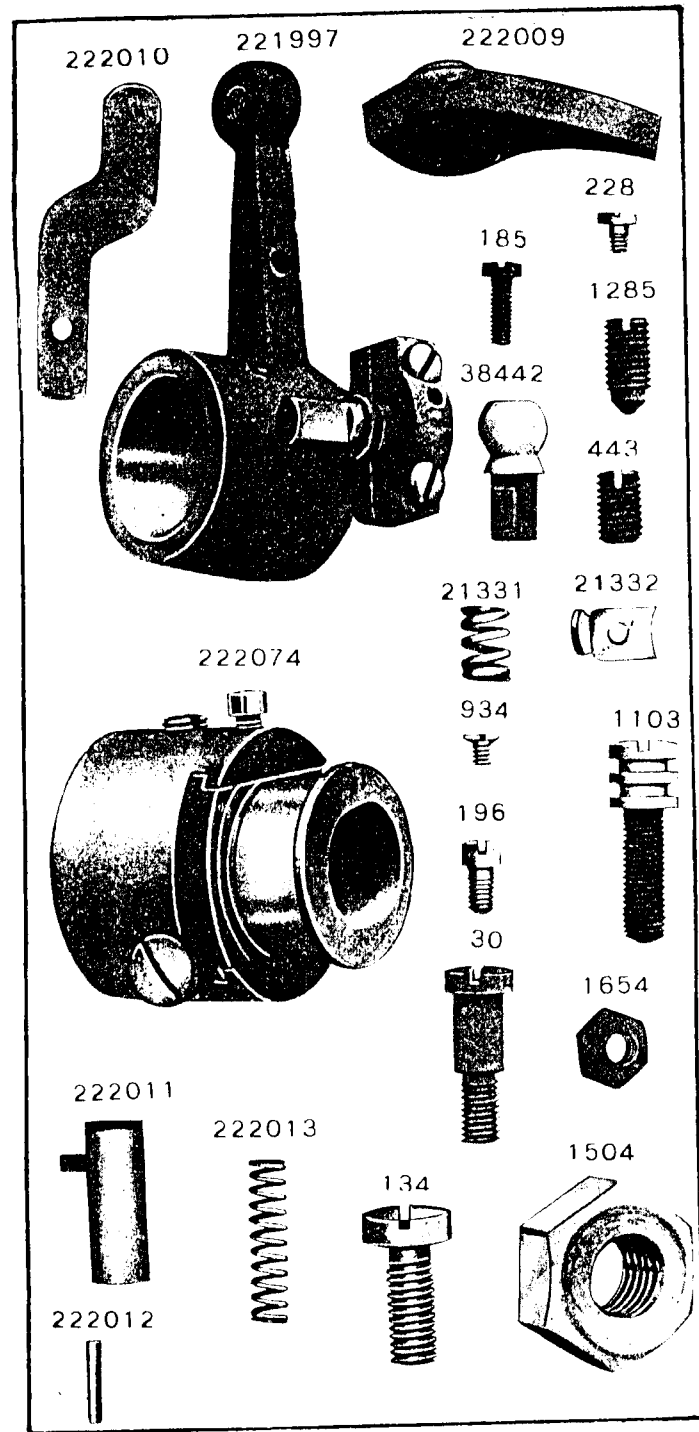


PLATE 12576 -FULL SIZE

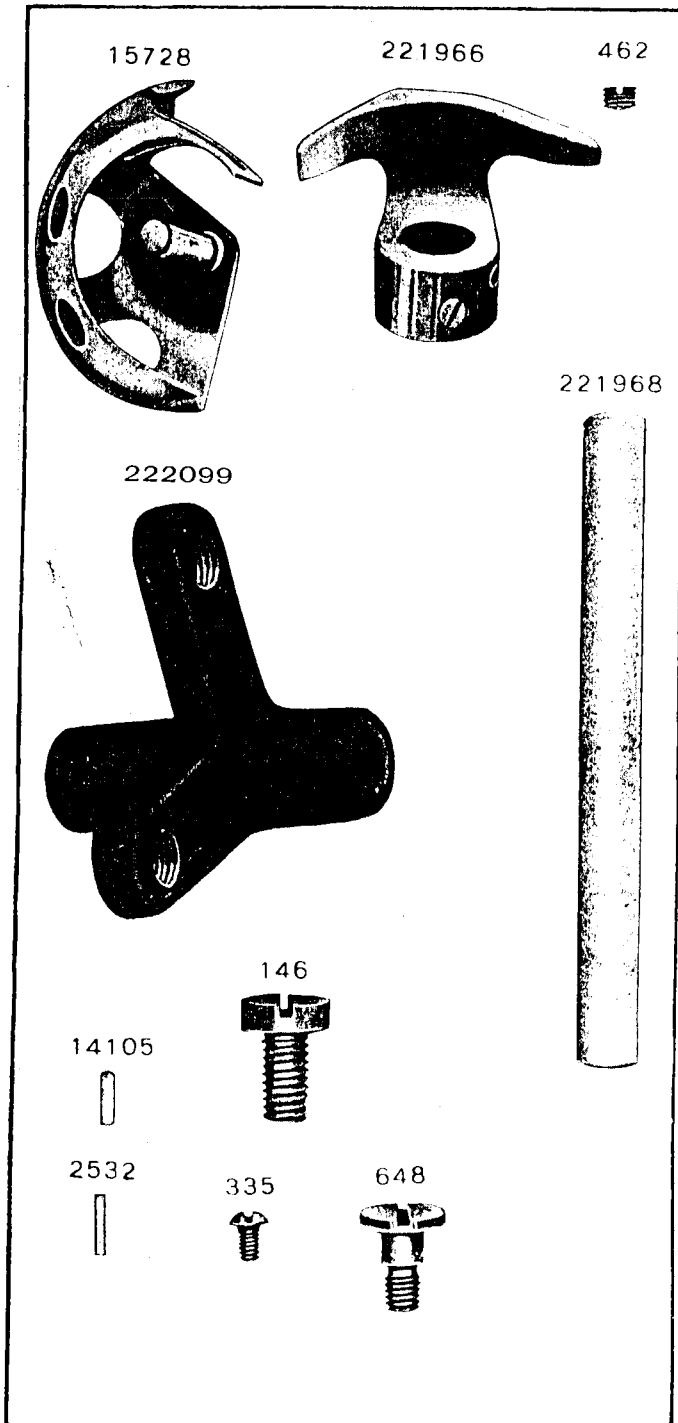


PLATE 12579 -FULL SIZE

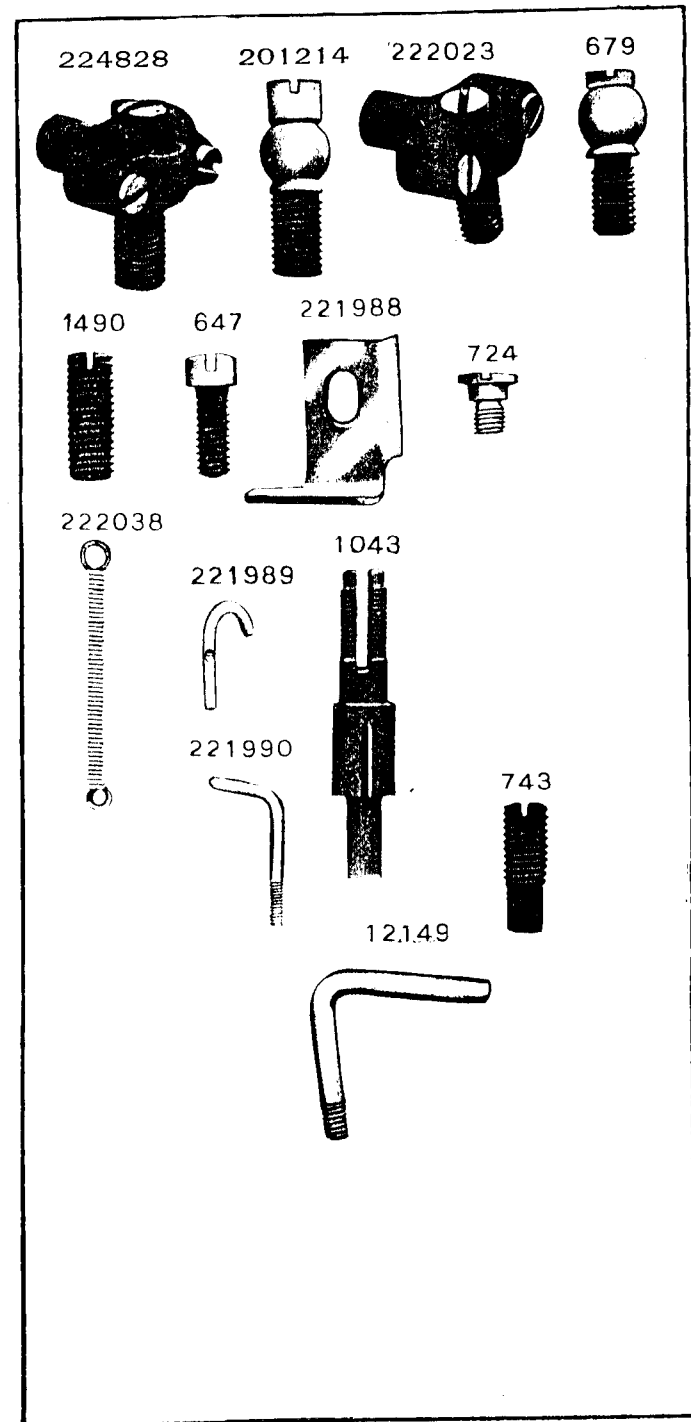


PLATE 12580 -FULL SIZE

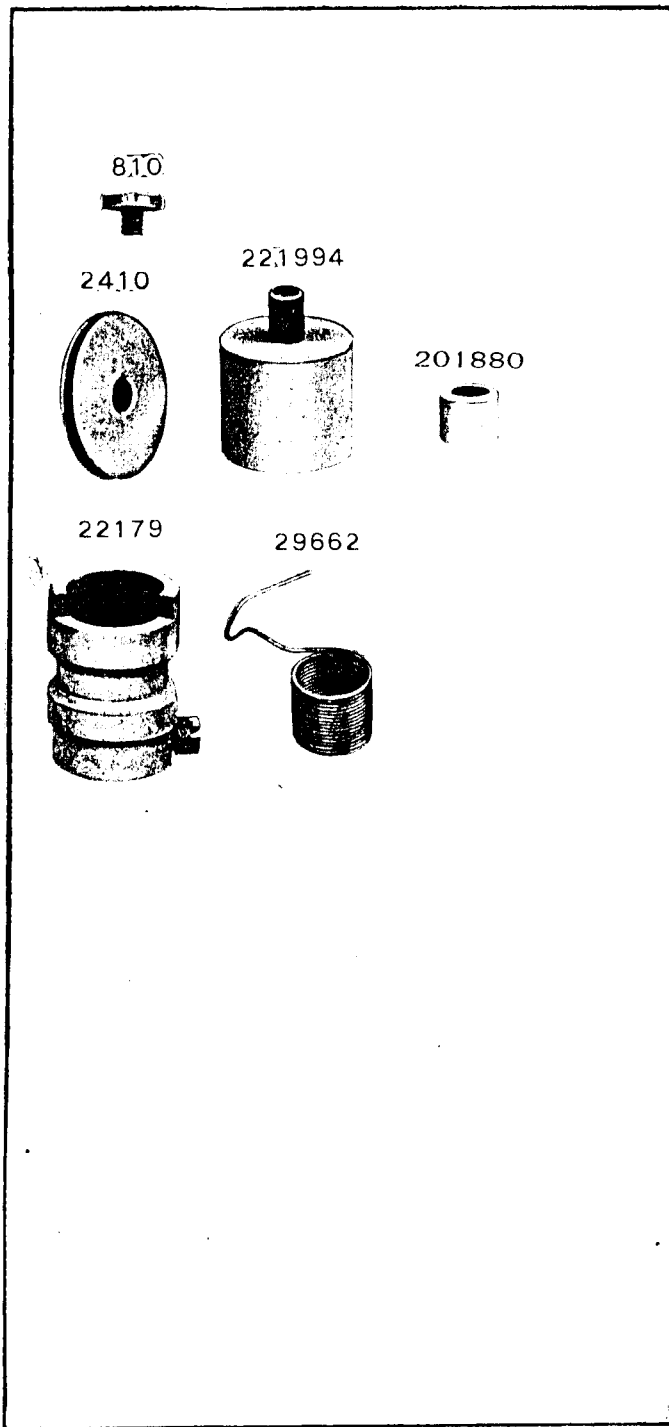


PLATE 12581 -FULL SIZE

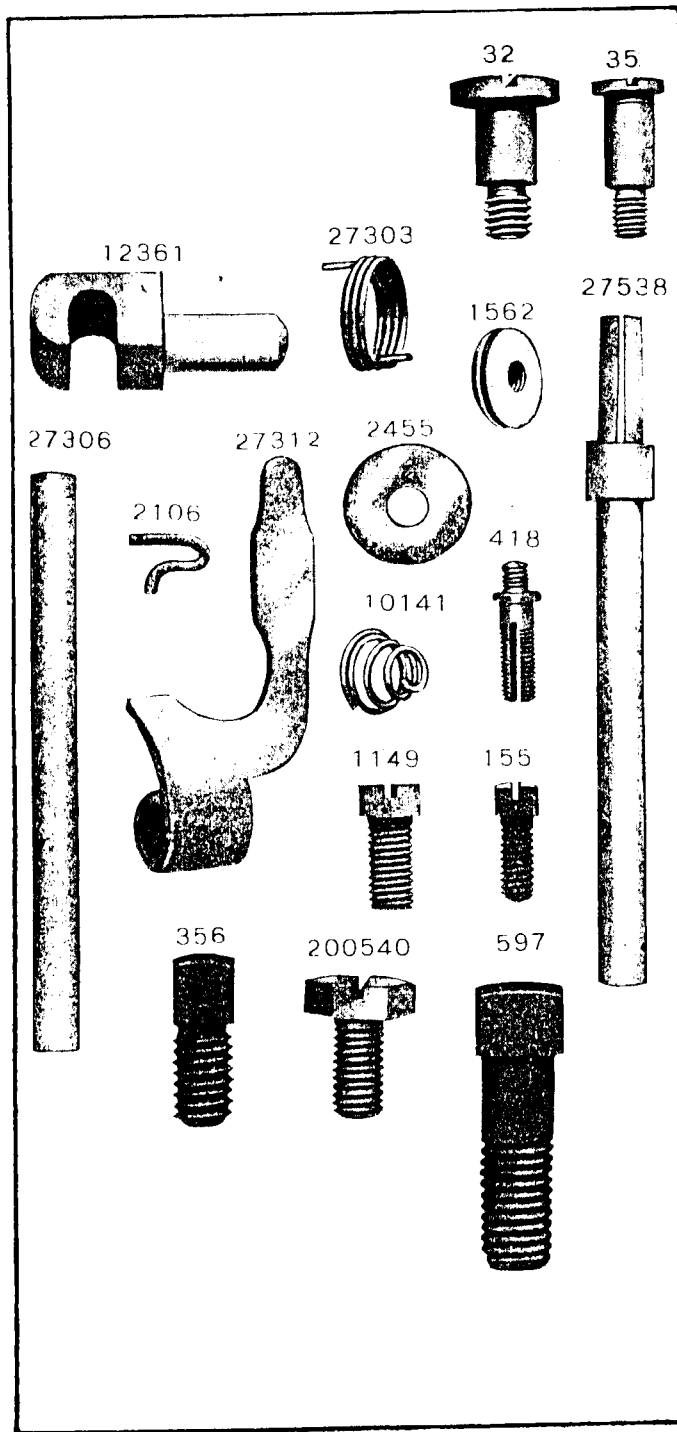


PLATE 12583--ONE-HALF SIZE

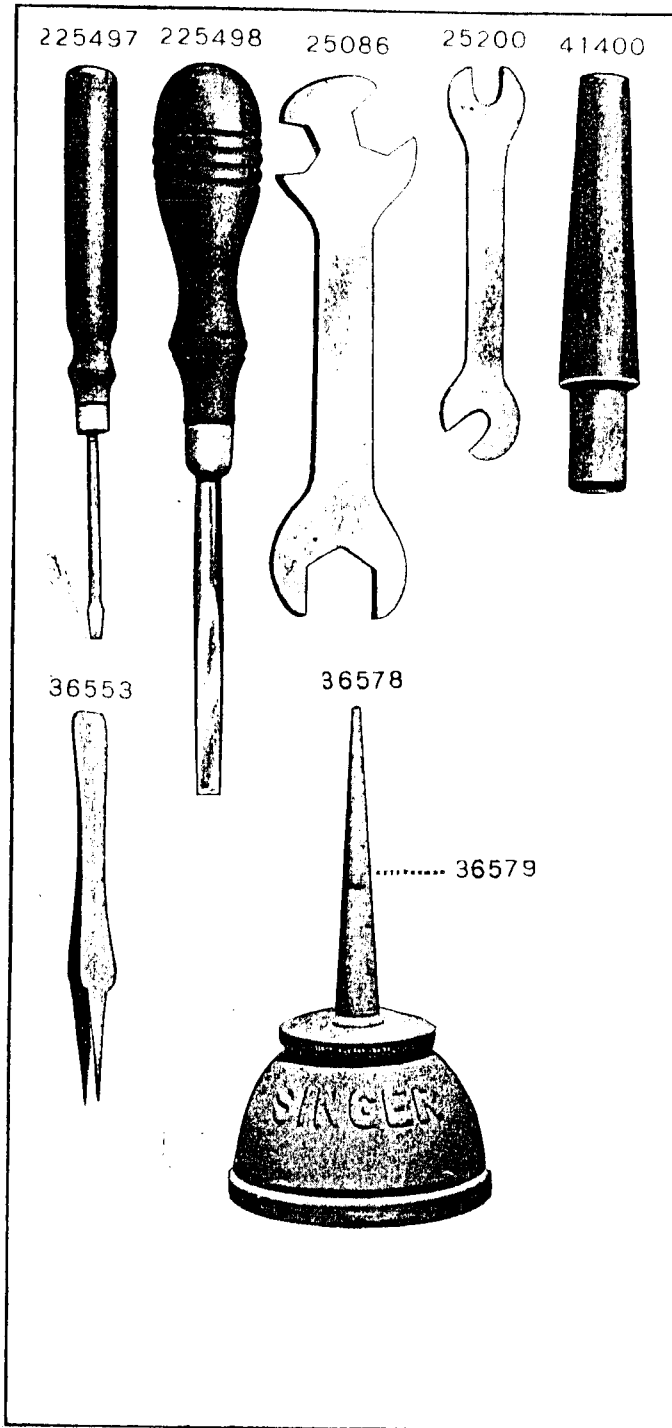


PLATE 12584--ONE-HALF SIZE

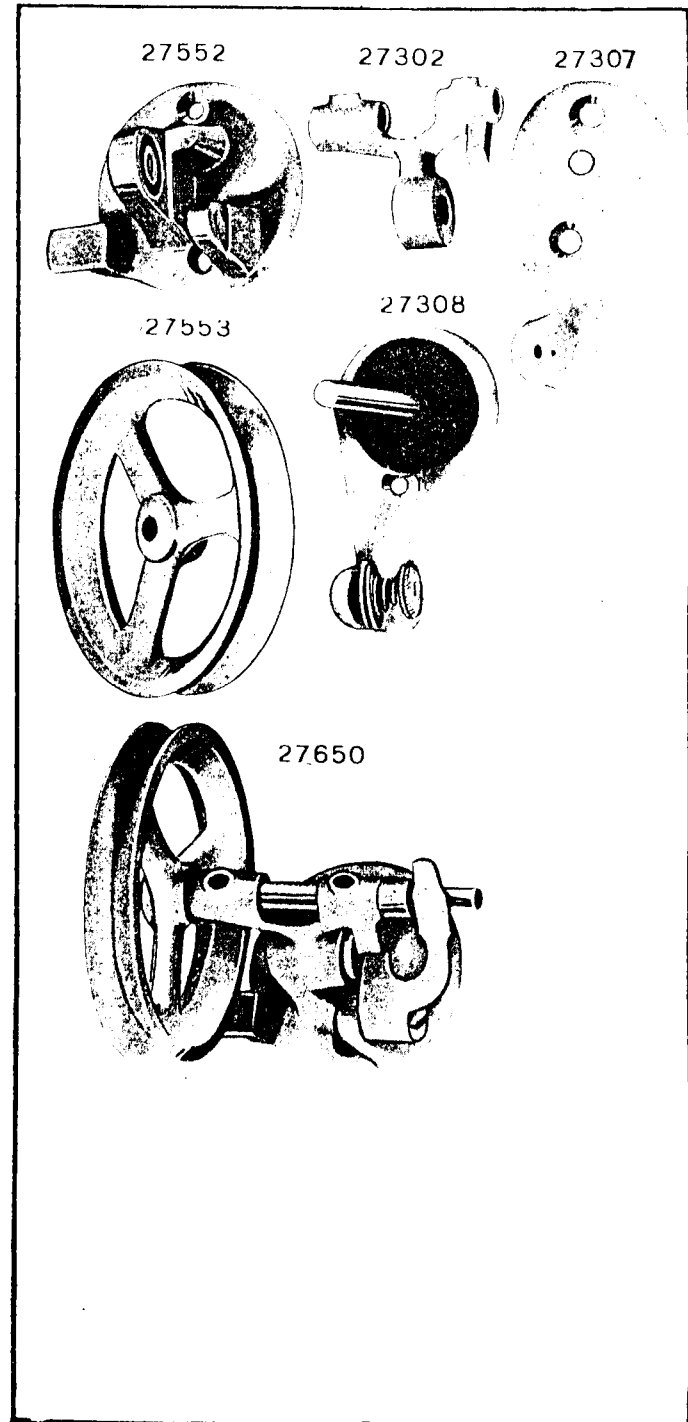


PLATE 12585 -ONE-FOURTH SIZE

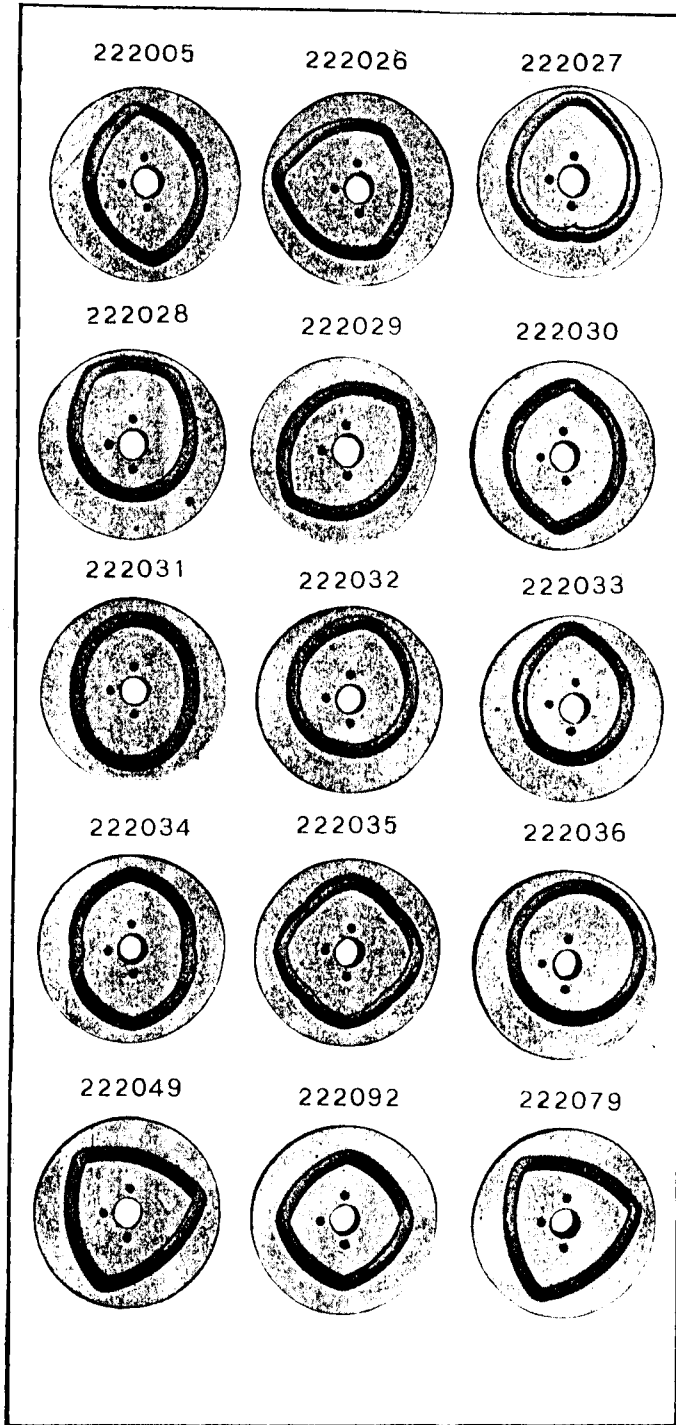


PLATE 12586 -ONE-FOURTH SIZE

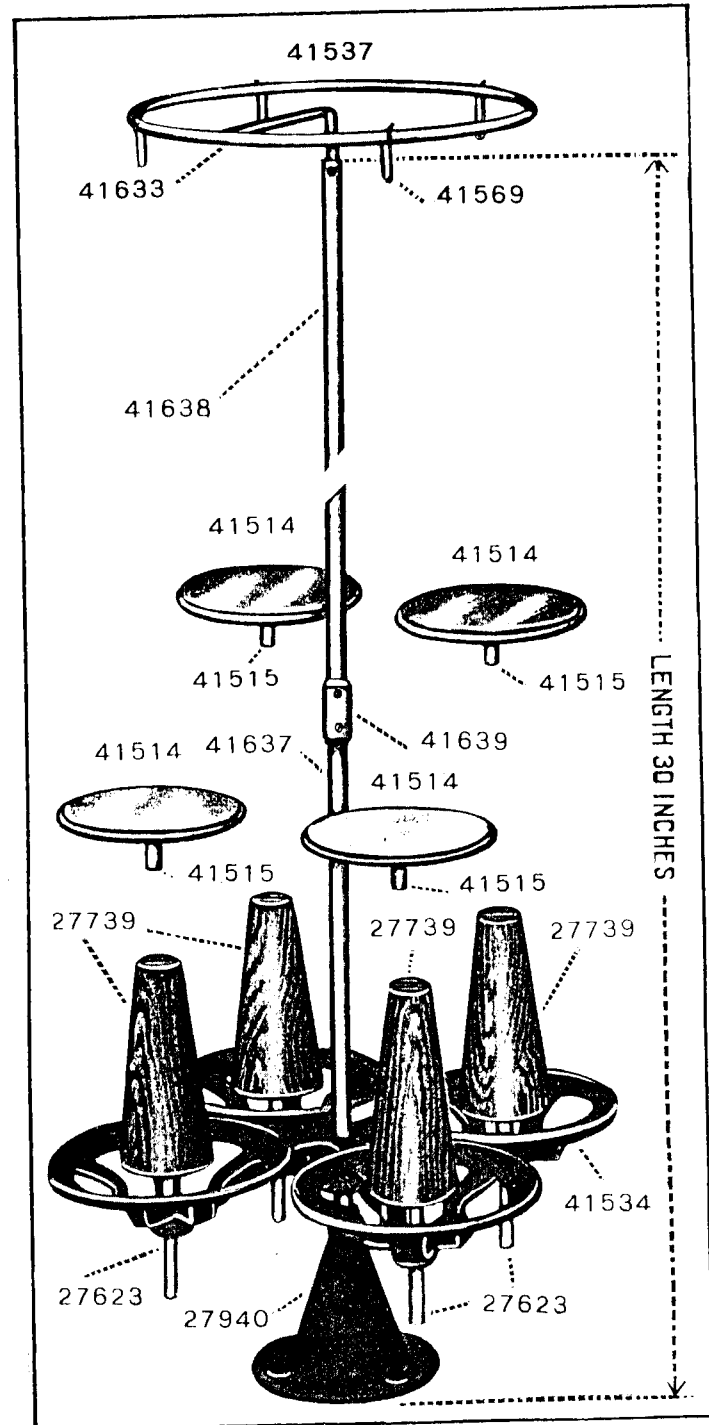


PLATE 12587—ONE-FOURTH SIZE

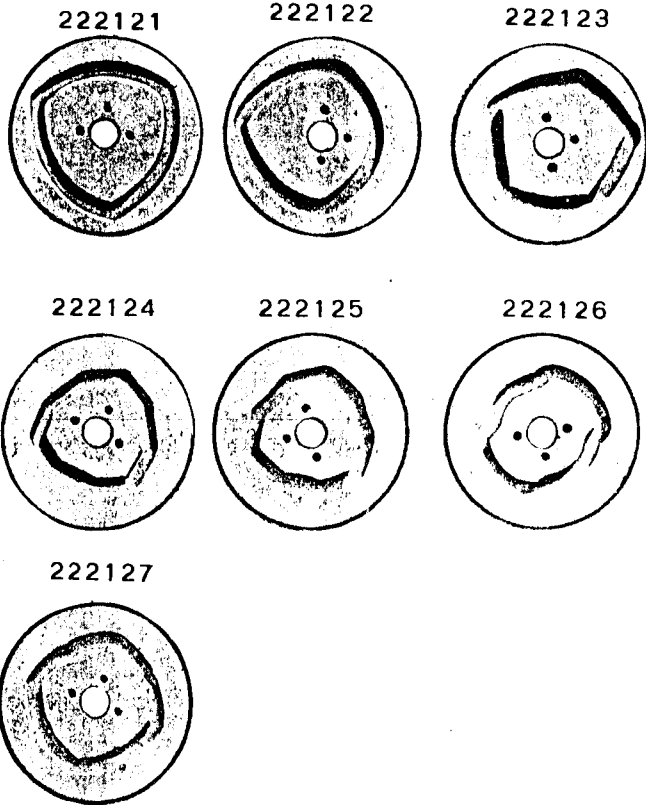


PLATE 12588—FULL SIZE

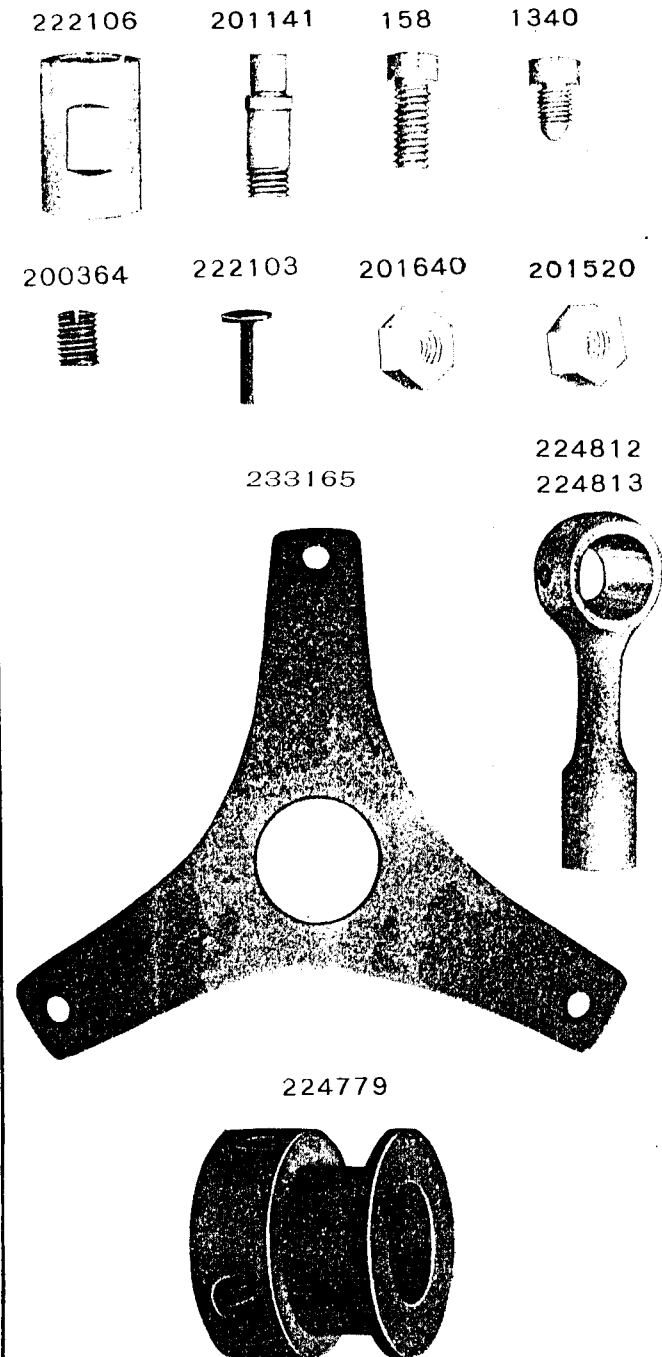
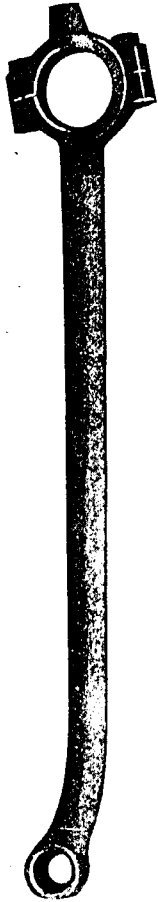


PLATE 12589—ONE-HALF SIZE

23672



224810

