

**SINGER**  
**108W5**

# LIST OF PARTS



## MACHINE No. 108w5

---

### INDEX

---

|                               | PAGE |
|-------------------------------|------|
| ACCESSORIES .....             | 15   |
| BINDERS .....                 | 18   |
| BOBBIN WINDER .....           | 15   |
| KNEE LIFTER .....             | 16   |
| KNIFE GRINDER .....           | 18   |
| MACHINE No. 108w5 .....       | 7    |
| NUMERICAL LIST OF PARTS ..... | 21   |
| OBSOLETE PARTS .....          | 20   |
| RIBBON REEL .....             | 17   |

THE SINGER MANUFACTURING COMPANY

# Instructions for Ordering

In ordering from this list, use **ONLY** the **PART** number in the **FIRST** column.

The number stamped on a Sewing Machine Part is the number of the Single Part only, except when the part includes Set Screws, Clamping Screws, Studs and Rollers Spun on, Small Wires riveted, or Parts soldered together, etc., which it is necessary to furnish in combination.

Every combination of parts sent out has its specific number which, although not stamped on Parts (except in above cases) must be used when ordering the combination.

Each number always indicates the **SAME PART** in whatever list it appears, or for whatever Machine.

The letters after some of the numbers indicate the style of finish only, as follows:

- A. Hardened, Polished and Plated.
- B. Polished and Plated.
- C. Hardened only.
- D. Polished only.
- E. Soft, not polished.
- F. Hardened and Polished.
- H. Blued.

These letters **MUST BE USED** when they appear in the list and **AFTER** the number, as in the list.

In this series

- 200001 to 201500 are Screw Numbers.
- 201501 to 201800 are Nut Numbers.
- 201801 to 202000 are Roller Numbers.
- 202001 and upward are numbers of Machine Parts.

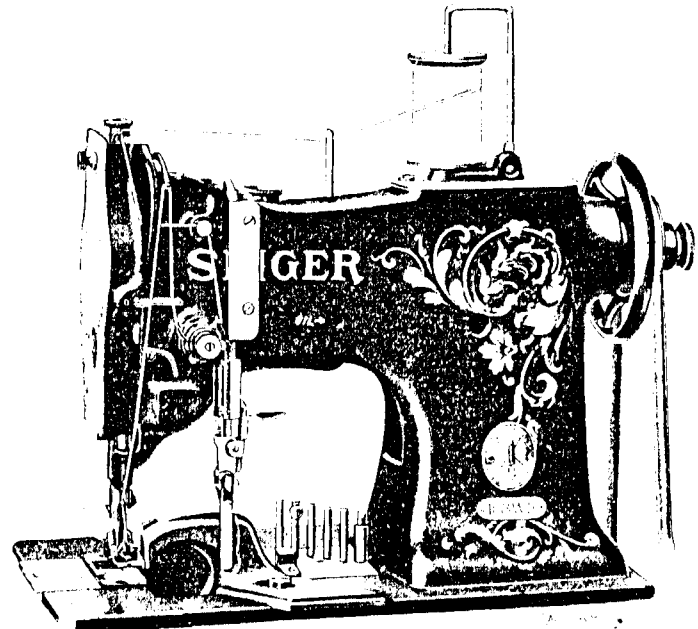
The figures in the second column refer only to the plate in which the illustration of the part is shown and are **NOT TO BE USED** in ordering.

Two or more numbers over a cut indicate that the difference between such parts is not visible in an illustration.

Parts marked with an asterisk (\*) are furnished only when repairs are made at the factory.

## LIST OF PARTS COMPLETE

FOR



### MACHINE No. 108w5

For Trimming and Binding Corsets, Brassiers, Dresses, and other similar work, at one operation.

| No.     | Plate | Name  |
|---------|-------|---|
| *224601 |       | Arm .....   |
| 203091  | 11670 | " Cap .....                                       |
| 200278H | 10244 | " " Screw .....                                   |
| 202248  | 10244 | " " " Washer .....                                |
| 203089  |       | " " Spool Holder Base .....                       |
| 203090  |       | " " " " " 203089<br>with 200079H and 204296 ..... |
| 200585H | 11672 | Arm Cap Spool Holder Base Screw                   |
| 204296  | 11670 | " " " " Wire .....                                |
| 200079H | 10668 | " " " " " Hinge<br>Screw .....                    |

| No.     | Plate | Name   |
|---------|-------|--|
| 203092  | 11670 | Arm Cap and Spool Holder complete, Nos. 203090, 203091 and two 200585H ..... |
| 204235  | 10668 | Arm Position Pin (2) .....   |
| 200010E | 11672 | " Screw (3) .....  |
| 202005  | 11672 | " " Washer (3) .....   |
| 208523  | 11670 | " Shaft with 200357E .....   |
| 202243  | 11670 | " " Bushing (back) with 202244 .....   |
| 202244  | ----  | Arm Shaft Bushing (back) Oil Packing (wick) .....                            |
| 200338C | 10244 | Arm Shaft Bushing (back) Set Screw .....                                     |
| 202245  | 11670 | Arm Shaft Bushing (front) with 202036 and 202260 .....                       |
| 202260  | - -   | Arm Shaft Bushing (front) Oil Packing (wick) .....                           |
| 200502B | 11693 | Arm Shaft Bushing (front) Oil Packing Thumb Screw .....                      |
| 202036  | 10668 | Arm Shaft Bushing (front) Position Pin .....                                 |
| 200338C | 10244 | Arm Shaft Bushing (front) Set Screw .....                                    |
| 202530  | 11670 | Arm Shaft Connection Belt .....  |
| 202252  | 10244 | " " " " Pulley with 200327C, 200602E and two 202253 .....                    |
| 200602E | 10244 | Arm Shaft Connection Belt Pulley Position Screw .....                        |
| 200327C | 10244 | Arm Shaft Connection Belt Pulley Set Screw .....                             |
| 202253  | 10244 | Arm Shaft Connection Belt Pulley Spring Flange .....                         |
| 208573  | 11670 | Arm Shaft Counter Balance with 200335C .....                                 |
| 200335C | 10244 | Arm Shaft Counter Balance Set Screw .....                                    |
| 200357E | 10244 | Arm Shaft Oil Packing Stop Screw .....                                       |
| 202255  | 11682 | Balance Wheel (belt groove 2½ in. diam.) with 200328C and 200335C .....      |
| 200328C | 10244 | Balance Wheel Position Screw ..  |
| 200335C | 10244 | " " Set Screw .....  |
| *224602 | ----  | Bed .....  |
| 202258  | 12345 | " Hinge Connection .....   |
| 200570E | 11672 | " " " Screw .....  |
| 210616  | 11670 | " Slide (front) .....  |
| 200577H | 11672 | Binder Base Plate Screw .....  |
| 202265  | 11671 | Bobbin .....   |
| *202806 | - -   | " Case .....   |
| 202267  | 11671 | " " Latch .....  |

| No.     | Plate | Name   |
|---------|-------|--|
| *202056 | - -   | Bobbin Case Latch Pin .....  |
| 202269  | 11671 | " " " Plunger .....  |
| 202270  | 11671 | " " " Spring .....   |
| 202716  | 11671 | " " Tension Spring .....   |
| 200984C | 11671 | " " " " Regulating Screw .....   |
| 200594C | 11671 | Bobbin Case Tension Spring Screw .....   |
| 202533  | 11671 | Bobbin Case complete, Nos. 200594C, 200984C, 202056, 202267, 202269, 202270, 202716 and 202806 ..... |
| 208535  | 11682 | Face Plate .....   |
| 202135  | 11672 | " " Position Pin .....   |
| 200462E | 11672 | " " Thumb Screw .....  |
| 208538  | 11672 | Feed Driving Connection (brass) with 202277 .....  |
| 202277  | - -   | Feed Driving Connection Oil Packing (wick) .....   |
| 208539  | 11672 | Feed Driving Connection Stud (eccentric) with 202254 .....   |
| 202254  | - -   | Feed Driving Connection Stud Oil Packing (wick) .....  |
| 200362C | 11672 | Feed Driving Connection Stud Set Screw .....   |
| 208331  | 11675 | Feed Driving Eccentric Regulating Bracket .....  |
| 208332  | - -   | Feed Driving Eccentric Regulating Bracket 208331 with 202252, two each 201014C and 201525E .....     |
| 202301  | 11691 | Feed Driving Eccentric Regulating Bracket Plunger .....  |
| 202595  | 11691 | Feed Driving Eccentric Regulating Bracket Plunger Spring .....                                       |
| 200607C | 11691 | Feed Driving Eccentric Regulating Bracket Plunger Spring Stop Screw .....                            |
| 201014C | 11672 | Feed Driving Eccentric Regulating Bracket Hinge Screw .....  |
| 201525E | 11672 | Feed Driving Eccentric Regulating Bracket Hinge Screw Nut .....                                      |
| 201014C | 11672 | Feed Driving Eccentric Regulating Bracket Stop Screw .....   |
| 201525E | 11672 | Feed Driving Eccentric Regulating Bracket Stop Screw Nut .....                                       |
| 201002C | 11675 | Feed Driving Eccentric Regulating Screw .....  |
| 200383C | 11691 | Feed Driving Eccentric Regulating Screw Check Screw .....  |
| 208333  | 11675 | Feed Driving Eccentric Regulating Screw Socket .....   |

| No.     | Plate | Name   |
|---------|-------|--|
| 208334  | 11675 | Feed Driving Eccentric Regulating Slide .....  |
| 208335  | 11675 | Feed Driving Eccentric Regulating Slide Spring .....                                     |
| 208360  | 11691 | Feed Regulating Spindle with 202311, 202443, 202619 and 210554                           |
| *202311 | ----- | Feed Regulating Spindle Head ...   |
| 202443  | 10244 | " " " " Pin  |
| 202619  | 10668 | " " " " Position Pin .....   |
| 210554  | 10668 | Feed Regulating Spindle Spring (flat) .....  |
| *208509 | ----- | Hook (sewing) .....  |
| 206750  | 11671 | " 208509 with 200145u, 200596e, 200614c, 202728, 203101, 206751, 206775 and 208579 ..... |
| 206746  | ----- | Hook and Bobbin Case complete, Nos. 202533 and 206750 .....                              |
| 208579  | 11671 | Hook Gib .....   |
| 200614c | 11671 | " " Hinge Screw .....  |
| 200596e | 11671 | " " Screw .....  |
| 203101  | ----- | " Oil Wick .....   |
| *202728 | ----- | " Shaft, 9 1/2 in. long .....  |
| 202321  | 11671 | " " Bushing (back) .....   |
| 200346e | 11671 | " " " " Set Screw  |
| 224653  | 11691 | " " " (front) .....  |
| 200346c | 11671 | " " " " Set Screw  |
| 202323  | 10244 | " " Connection Belt Pulley with 202324 and two 201018c ...                               |
| 201018c | 11672 | Hook Shaft Connection Belt Pulley Set Screw .....  |
| 202324  | 10244 | Hook Shaft Connection Belt Pulley Spring Flange .....                                    |
| 202260  | ----- | Hook Shaft Oil Packing (wick) (2)  |
| 206775  | 11671 | " " Pin .....  |
| 206751  | 11671 | " Washer .....   |
| 200145u | 11671 | " " Screw .....  |
| 208542  | 11682 | Knee Lifter Connection Lever with 202446 .....   |
| 208543  | ----- | Knee Lifter Connection Lever 208542 with 200224u, 200262u, 208544 and 208592 .....       |
| 200224u | 11672 | Knee Lifter Connection Lever Hinge Screw .....   |
| 208592  | 11682 | Knee Lifter Connection Lever Lifting Rod with 202302 .....                               |
| 202302  | 11691 | Knee Lifter Connection Lever Lifting Rod Cotter Pin .....                                |
| 202446  | 11691 | Knee Lifter Connection Lever Pin   |
| 208544  | 11682 | " " Lifting Lever .....  |

| No.     | Plate | Name   |
|---------|-------|--|
| 200262u | 11672 | Knee Lifter Lifting Lever Hinge Screw .....  |
| 224612  | 11692 | Knife (oscillating) .....  |
| 224613  | 11692 | " Bracket .....  |
| 224614  | 11692 | " " Ring .....   |
| 200152u | 11691 | " " " Screw (2) .....  |
| 201396b | 11691 | " " " Screw .....  |
| 228043  | 11691 | " " " Washer .....   |
| 201465b | ----- | " Cover Hinge Screw .....  |
| 200152u | 11691 | " " " Screw .....  |
| 224655  | ----- | " " Section (lower) .....  |
| 224656  | ----- | " " " (upper) .....  |
| 224616  | 11692 | " Driving Bar .....  |
| 224617  | 11692 | " " " Disengaging Slide .....  |
| 224618  | ----- | Knife Driving Bar Disengaging Slide 224617 with 200366u, 215329, 224619 and 224621 ..... |
| 224619  | 11691 | Knife Driving Bar Disengaging Slide Latch .....  |
| 215329  | 11691 | Knife Driving Bar Disengaging Slide Latch Hinge Pin .....                                |
| 200366u | 10252 | Knife Driving Bar Disengaging Slide Latch Hinge Pin Set Screw                            |
| 224620  | 11691 | Knife Driving Bar Disengaging Slide Latch Plate .....                                    |
| 224621  | 11691 | Knife Driving Bar Disengaging Slide Latch Spring .....                                   |
| 224622  | 11691 | Knife Driving Bar Disengaging Slide Spring .....   |
| 224623  | 11691 | Knife Driving Bar Disengaging Slide Spring Socket .....                                  |
| 200188b | 11691 | Knife Driving Bar Disengaging Slide Spring Socket Screw (2) ..                           |
| 224624  | 11691 | Knife Driving Bar Slide Block ....   |
| 224625  | 11693 | " " " " Plate ....   |
| 200578u | 11691 | " " " " " Screw (2) .....  |
| 224626  | 11693 | Knife Driving Link with 200125e ...  |
| 224627  | 11693 | " " " Hinge Stud ..  |
| 200125e | 11693 | " " " " " Set Screw .....  |
| 208545  | 11672 | Lifting Bell Crank .....   |
| 224628  | 11693 | " " " Driving Crank  |
| 208547  | 11672 | " " " " " Link .....   |
| 202277  | ----- | Lifting Bell Crank Driving Crank Oil Packing (wick) .....                                |
| 201012c | 11672 | Lifting Bell Crank Driving Crank Position Screw .....                                    |

| No.     | Plate | Name  |
|---------|-------|---|
| 200374c | 10668 | Lifting Bell Crank Driving Crank Set Screw .....  |
| 200996c | 11673 | Lifting Bell Crank Stop Screw ...   |
| 224629  | 11693 | " Presser Foot Plate .....  |
| 224630  | 11693 | " " " Shank .....   |
| 224631  | ---   | Lifting Presser Foot (hinged) complete, Nos. 224629 and 224630 ..   |
| 200074F | 11672 | Lifting Presser Foot Screw .....  |
| 224654  | 11693 | " " " Spring (flat)   |
| 200175H | 11693 | " " " " Screw   |
| 224632  | 11693 | Needle Bar with 200141F .....   |
| 208549  | 11682 | " " and Needle Plate Carrier Frame with 200362c, 200997c and 208550 .....   |
| 200999c | 11673 | Needle Bar and Needle Plate Carrier Frame Hinge Screw .....   |
| 200998c | 11673 | Needle Bar and Needle Plate Carrier Frame Hinge Screw Stud ..   |
| 208550  | 11673 | Needle Bar and Needle Plate Carrier Frame Hinge Screw Stud Bushing (split) .....  |
| 200997c | 11673 | Needle Bar and Needle Plate Carrier Frame Hinge Screw Stud Bushing Position Screw .....   |
| 202277  | ---   | Needle Bar and Needle Plate Carrier Frame Hinge Screw Stud Oil Packing (wick) .....   |
| 208551  | 11673 | Needle Bar Connecting Link .....  |
| 208552  | 11673 | " " " Stud with 200086c and 202330 .....  |
| 202330  | ---   | Needle Bar Connecting Stud Oil Packing (wick) .....   |
| 200086c | 11673 | Needle Bar Connecting Stud Pinch Screw .....  |
| 224633  | 11692 | Needle Bar Crank with 200335c, 200374c, 200428c and 201012c ...   |
| 224634  | ---   | Needle Bar Crank 224633 with 200996c, 202398, 202400, 208545, 208547, 208551, 208552, 208555, 208557, 224624, 224628, 224643 and 224644 ..... |
| 203172  | 11673 | Needle Bar Crank Friction Washer  |
| 200428c | 11673 | " " " Position Screw..  |
| 200335c | 10244 | " " " Set Screw .....   |
| 208315  | 11694 | " Plate, 50 needle hole, for needle sizes 14 and 15 .....   |
| 201387F | 11693 | Needle Plate Screw .....  |
| 224635  | 11694 | " " Slide Plate (adjustable) .....  |

| No.     | Plate | Name   |
|---------|-------|--|
| 200054E | 11693 | Needle Plate Slide Plate Screw (2) .....                     |
| 202101  | 11674 | Needle Plate Slide Plate Screw Washer (2) .....              |
| 200141F | 11674 | Needle Set Screw .....                                       |
| 208554  | 11675 | Oil Leader (brass) (for back hook shaft bearing) .....       |
| 208566  | 11670 | Presser Bar with 200074F .....                               |
| 208567  | 11674 | " " Bushing .....  |
| 200352c | 11674 | " " " Set Screw ....   |
| 202339  | 11674 | " " Lifter .....   |
| 200653c | 11674 | " " " Hinge Screw ..   |
| 208555  | 11673 | " " Lifting Bracket with 200054b .....                       |
| 200975F | 11674 | Presser Bar Lifting Bracket Guide Screw .....                |
| 200054b | 11693 | Presser Bar Lifting Bracket Pinch Screw .....                |
| 208556  | 11674 | Presser Bar Spring .....                                     |
| 200494B | 11674 | " " Thumb Screw (pressure regulating) .....                  |
| 200475e | 10668 | Presser Bar Thumb Screw Thumb Set Screw .....                |
| 202355  | 10668 | Presser Bar Thumb Screw Thumb Set Screw Packing (brass) .... |
| 224636  | 11694 | Presser Foot (auxiliary) .....                               |
| 224637  | 11694 | " " " Guide Collar with 201397e .....                        |
| 201397e | 11694 | Presser Foot (auxiliary) Guide Collar Screw .....            |
| 224638  | 11694 | Presser Foot (auxiliary) Spring ..                           |
| 201398c | 11694 | " " " " Stop Screw .....                                     |
| 202397  | 10668 | Take-up (auxiliary) .....                                    |
| 200842e | 10668 | " " Screw .....  |
| 202398  | 10247 | " Lever .....  |
| 208557  | 11673 | " " Driving Stud with 202277 .....                           |
| 202277  | ---   | Take-up Lever Driving Stud Oil Packing (wick) .....          |
| 202400  | 10247 | Take-up Lever Hinge Stud with 202423 .....                   |
| 202423  | ---   | Take-up Lever Hinge Stud Oil Packing (wick) .....            |
| 200383c | 11691 | Take-up Lever Hinge Stud Set Screw .....                     |
| 208558  | 11674 | Take-up Lever Oil Guard with 223655 and 224572 .....         |

| No.     | Plate | Name   |
|---------|-------|--|
| 200161H | 10272 | Take-up Lever Oil Guard Screw ..   |
| 223655  | ---   | " " Oiling Felt .....  |
| 224572  | 11694 | " " " " Rivet ..   |
| 202402  | 10247 | Tension Disc (back) .....  |
| 202403  | 10247 | Tension Disc (front) .....   |
| 208583  | 11674 | " Release Plunger .....  |
| 208559  | 11675 | " " Slide .....  |
| 208560  | 11675 | " " " Spring .....   |
| 202405  | 10247 | " " Washer .....   |
| 202407  | 10881 | " Spring .....   |
| 200625F | 10247 | " Stud with 204925 .....   |
| 200084F | 11674 | " " Set Screw .....  |
| 204925  | 10668 | " " Washer .....   |
| 201572B | 10881 | " Thumb Nut .....  |
| 202409  | 10252 | Tension complete, Nos. 200625F,<br>201572B, 202402, 202403, 202405,<br>202407 and 202410 ..... |
| 202410  | 10252 | Thread Controller Spring .....   |
| 202411  | 10252 | " " " Stop ....  |
| 200132E | 10247 | " " " " Screw  |
| 208574  | 11675 | " Guide .....  |
| 202412  | 11675 | " " .....  |
| 202415  | 10252 | " " .....  |
| 208569  | 11675 | " " .....  |
| 202582H | 10252 | " " Screw .....  |
| 200389C | 10252 | " " Set Screw .....  |
| 202091  | 10252 | " Retainer Sleeve .....  |
| 202092  | 10252 | " " Spring .....   |
| 204058  | 10252 | " " Stud .....   |
| 200366H | 10252 | " " " Set Screw ....   |
| 204059  | 10668 | Thread Retainer complete, Nos.<br>202091, 202092 and 204058 .....                              |
| 224639  | 11694 | Throat Plate with 202534, 224640 to<br>224642 and two 200582H .....                            |
| 202534  | 10668 | Throat Plate Bobbin Case Stop  |
| 200582H | 10252 | " " " " " "  |
|         |       | Screw .....  |
| 224640  | 11694 | Throat Plate Slide .....   |
| 224641  | 11694 | " " " Spring .....   |
| 224642  | 11694 | " " " Stop Pin ....  |
| 200577H | 11672 | " " Screw (2) .....  |
| 224643  | 11694 | Vibrating Presser Bar .....  |
| 224644  | 11694 | " " " Connecting<br>Link .....   |
| 202277  | ---   | Vibrating Presser Bar Oil Packing<br>(wick) .....  |
| 224645  | 11693 | Vibrating Presser Foot with<br>200175H, 201015F and 224654 ....                                |
| 201015F | 11675 | Vibrating Presser Foot Pinch<br>Screw .....  |

## ACCESSORIES

| No.     | Plate | Name   |
|---------|-------|--|
| 202265  | 11671 | Bobbin (5) .....   |
| *225482 | ---   | " Case Screw Driver Blade ..   |
| *225483 | ---   | " " " " Handle ..  |
| 225497  | 12345 | Bobbin Case Screw Driver com-<br>plete, Nos. 225482 and 225483 ..              |
| 135 x 1 | ---   | Needles, three each, sizes 12 and 14   |
| 208591  | ---   | Drip Pan with four wood screws<br>$\frac{1}{2}$ in., No. 5 .....               |
| 41400   | 12345 | Machine Rest Pin (wood) .....  |
| 36578   | 13245 | Oiler with 36579 .....   |
| 36579   | 12345 | " Spout, $3\frac{1}{2}$ in. long, with 120117,<br>for 36578 .....              |
| 120117  | ---   | Oiler Spout Washer .....   |
| *225484 | ---   | Screw Driver Blade .....   |
| *225485 | ---   | " " Handle .....   |
| 225498  | 12345 | Screw Driver complete (7 $\frac{1}{2}$ in.<br>long), Nos. 225484 and 225485 .. |
| 225554  | 12345 | Wrench (steel) .....   |

**BOBBIN WINDER**

**Swing Automatic, Right Hand.**

|         |       |  |
|---------|-------|--|
| *225451 | ---   | Bobbin Holder .....                        |
| 225453  | 10882 | Frame with 202277 and 225438 ....          |
| 225454  | 10882 | " Hinge Pin .....                          |
| 202277  | ---   | " Oil Packing (wick) .....                 |
| 225438  | 10882 | " " Well Cap .....                         |
| 225455  | 10882 | " Spring .....                             |
| 225456  | 10882 | " " Plunger .....                          |
| 202473  | 10883 | Pulley with 200380C .....                  |
| 200380C | 10272 | " Set Screw .....                          |
| *225443 | ---   | Spindle .....                              |
| 225452  | 10882 | " 225443 with 225451 .....                 |
| 225444  | 10882 | Stop Latch .....                           |
| 200056E | 10882 | " " Screw .....                            |
| 225458  | 10882 | " " Thumb Lever .....                      |
| 225459  | 10882 | " " " " Hinge<br>Stud .....                |
| 225460  | 10882 | Stop Latch Thumb Lever Joint<br>Stud ..... |
| 202478  | 10882 | Stop Latch Trip Lever .....                |
| 200299H | 10882 | " " " " Hinge<br>Screw .....               |

| No.     | Plate | Name  |
|---------|-------|---|
| 225461  | 10881 | Tension Bracket with 201499B ...  |
| 200082D | 10881 | " " Screw .....   |
| 202104  | 10881 | " " Washer .....  |
| 2102    | 10881 | " Disc .....  |
| 202407  | 10881 | " Spring .....  |
| 201499B | 10881 | " Stud .....  |
| 201572B | 10881 | " " Thumb Nut .....   |
| 225462  | 10881 | Bobbin Winder Tension Bracket complete, Nos. 201572B, 202407, 225461 and two 2102 .....   |
| 225463  | 10883 | Bobbin Winder and Tension Bracket Base .....  |
| 225436  | 10883 | Universal Bobbin Winder complete, Nos. 200056E, 200082B, 200299H, 202104, 202473, 202478, 225444, 225452 to 225456, 225458 to 225460, 225462, 225463 and two round head wood screws $\frac{1}{2}$ in., No. 13 ..... |

#### KNEE LIFTER

|         |       |  |
|---------|-------|--|
| 227781  | 11682 | Knee Lifter Rock Lever with 200522C and 200529C .....                            |
| 227782  | - - - | Knee Lifter Rock Lever 227781 with two each 202451 and 202452 .....              |
| 227783  | - - - | Knee Lifter Rock Lever 227782 with 202985 and 227784 .....                       |
| 202453  | 11682 | Knee Lifter Rock Lever Knee Plate with 200526C .....                             |
| 202985  | - - - | Knee Lifter Rock Lever Knee Plate 202453 with 202455 .....                       |
| 202455  | 11682 | Knee Lifter Rock Lever Knee Plate Arm (short) .....                              |
| 200522C | 11695 | Knee Lifter Rock Lever Knee Plate Arm Set Screw .....                            |
| 200526C | 11695 | Knee Lifter Rock Lever Knee Plate Set Screw .....                                |
| 202451  | 11682 | Knee Lifter Rock Lever Lug with two wood screws $\frac{3}{8}$ in., No. 13U ..... |
| 202452  | 11695 | Knee Lifter Rock Lever Lug Hinge Pin .....                                       |
| 227784  | 11682 | Knee Lifter Rock Lever Rod, 3 in. long, with 227785 .....                        |
| *227785 | - - - | Knee Lifter Rock Lever Rod Cap or Oil Guard .....                                |
| 200529C | 11695 | Knee Lifter Rock Lever Rod Set Screw .....                                       |

(Other Knee Lifter parts are listed with parts of machine head.)

| No.                | Plate | Name  |
|--------------------|-------|---|
| <b>RIBBON REEL</b> |       |   |
| 225663             |       | Ribbon Reel (9 in. diam.) with 225666 and three 205520 .....                |
| 225664             |       | Ribbon Reel Supporting Spindle  |
| 225665             | 11695 | " " " " Base with 225664 and two wood screws $\frac{3}{4}$ in., No. 7 ..... |
| 230471             |       | Ribbon Reel Supporting Spindle Hub .....                                    |
| 225666             | 11695 | Ribbon Reel Supporting Spindle Hub 230471 with 225980 .....                 |
| 225980             |       | Ribbon Reel Supporting Spindle Hub Base .....                               |
| 205520             | 11695 | Ribbon Reel Supporting Spindle Hub Base Rivet .....                         |
| 225976             |       | Ribbon Reel (9 in. diam.) complete, Nos. 225663 and 225665 .....            |



## BINDER

| No.     | Plate | Name   |
|---------|-------|--|
| 224603  | 11696 | Binder Base Plate with 224604, 224605 and five 225671 .....  |
| 208319  | 11695 | Binder Head, .030 in. opening, for tapes or folded strips from $\frac{1}{8}$ to $\frac{3}{4}$ in., in steps of $\frac{1}{16}$ inch .....   |
| 208326  | 11695 | Binder Head Adjusting Lever .....  |
| 200292e | 11695 | " " " " Hinge Screw .....  |
| 208327  | 11695 | Binder Head Adjusting Lever Hinge Screw Washer .....   |
| 200133e | 11695 | Binder Head Screw .....  |
| 208318  | 11695 | " " Slide Block .....  |
| 208329  | 11695 | " Tape Guide, for tapes or folded strips from $\frac{1}{8}$ to $\frac{3}{4}$ in., in steps of $\frac{1}{16}$ inch .....  |
| 200907b | 11695 | Binder Tape Guide Screw .....  |
| 224604  | 11696 | " " Tension Pin .....  |
| 225671  | 11696 | " " " " .....  |
| 224605  | 11696 | " " " " Roller .....   |
| 224606  |       | Binder complete, .030 in. opening, for tapes or folded strips from $\frac{1}{8}$ to $\frac{3}{4}$ in., in steps of $\frac{1}{16}$ in., Nos. 200292e, 208318, 208319, 208326, 208327, 208329, 224603, two each 200133e and 200907b .. |

## KNIFE GRINDER

|         |       |   |
|---------|-------|---|
| 224646  |       | Emery Wheel .....                                       |
| 206962  | 11697 | " " Driving Shaft .....                                 |
| 201510b | 11698 | " " " " Nut .....                                       |
| 204101  | 11698 | " " " " " " Washer .....                                |
| 206963  | 11698 | Emery Wheel Driving Shaft Pulley with two 200403c ..... |
| 200403c | 11698 | Emery Wheel Driving Shaft Pulley Set Screw .....        |

| No.     | Plate | Name  |
|---------|-------|---|
| 206969  |       | Emery Wheel Washer (paper) ..   |
| 206964  | 11697 | Frame with two 54897 .....  |
| 54897   | 11698 | " Oil Cup .....   |
| 202126  | 11698 | Knife Bracket Ring Position Pin ..  |
| 201399b | 11698 | " Clamping Thumb Screw ..   |
| 224647  | 11697 | " Holder Slide Bracket .....  |
| 224648  |       | " " " " " 224647 with 200326c, 201021c, 201399b, 201528e, 202126 and 224651 .....   |
| 224649  | 11698 | Knife Holder Slide Bracket Adjusting Collar with 200353c .....  |
| 200353c | 11698 | Knife Holder Slide Bracket Adjusting Collar Set Screw .....   |
| 200326c | 11698 | Knife Holder Slide Bracket Adjusting Screw .....  |
| 201528e | 11698 | Knife Holder Slide Bracket Adjusting Screw Nut .....  |
| 206966  | 11697 | Knife Holder Slide Bracket Adjusting Screw Slide Plate .....  |
| 200577h | 11672 | Knife Holder Slide Bracket Adjusting Screw Slide Plate Screw .....  |
| 200457b | 11698 | Knife Holder Slide Bracket Adjusting Thumb Screw .....  |
| 201021c | 11698 | Knife Holder Slide Bracket Set Screw .....  |
| 224650  | 11697 | Knife Holder Slide Bracket Shaft .....  |
| 205711  | 11698 | " " " " " " Spring .....  |
| 227224  | 11698 | Knife Holder Slide Bracket Shaft Spring Collar with 200380c .....   |
| 200380c | 10272 | Knife Holder Slide Bracket Shaft Spring Collar Set Screw .....  |
| 224651  | 11698 | Knife Position Pin .....  |
| 224652  |       | Knife Grinder complete, Nos. 200457b, 200577h, 201510b, 204101, 205711, 206962 to 206964, 206966, 224646, 224648 to 224650, 227224 and two 206969 ..... |

**OBSOLETE PARTS**

| No.    | Plate | Name  |
|--------|-------|---|
| 202470 | 10271 | Bobbin Winder Base .....  |
| 202471 | 10271 | " " Frame .....   |
| 202472 | 10271 | " " Spring .....  |
| 202474 | 10271 | " " Spindle .....   |
| 202475 | 10272 | " " Stop Latch .....  |
| 202477 | 10272 | " " " " Thumb<br>Lever .....  |
| 202479 | 10271 | Bobbin Winder complete, Nos.<br>200056E, 200161D, 200221D, 201537D,<br>202470 to 202475, 202477, 202478,<br>three 200299H and two round<br>head wood screws 1 in., No. 13 |
| 202480 | 10271 | Bobbin Winder Spool Holder Base<br>with 200355H and 202484 .....  |
| 202481 | 10271 | Bobbin Winder Spool Holder Base<br>Spool Pin .....  |
| 202482 | 10272 | Bobbin Winder Spool Holder Ten-<br>sion Disc (lower or upper) ....  |
| 202483 | 10272 | Bobbin Winder Spool Holder Ten-<br>sion Disc Spring (brass) .....   |
| 202484 | 10272 | Bobbin Winder Spool Holder Ten-<br>sion Disc Thread Guide .....   |
| 202485 | 10271 | Bobbin Winder Spool Holder com-<br>plete, Nos. 200011E, 202480,<br>202481, 202483, two 202482 and<br>one wood screw 1 in., No. 13 ..                                      |

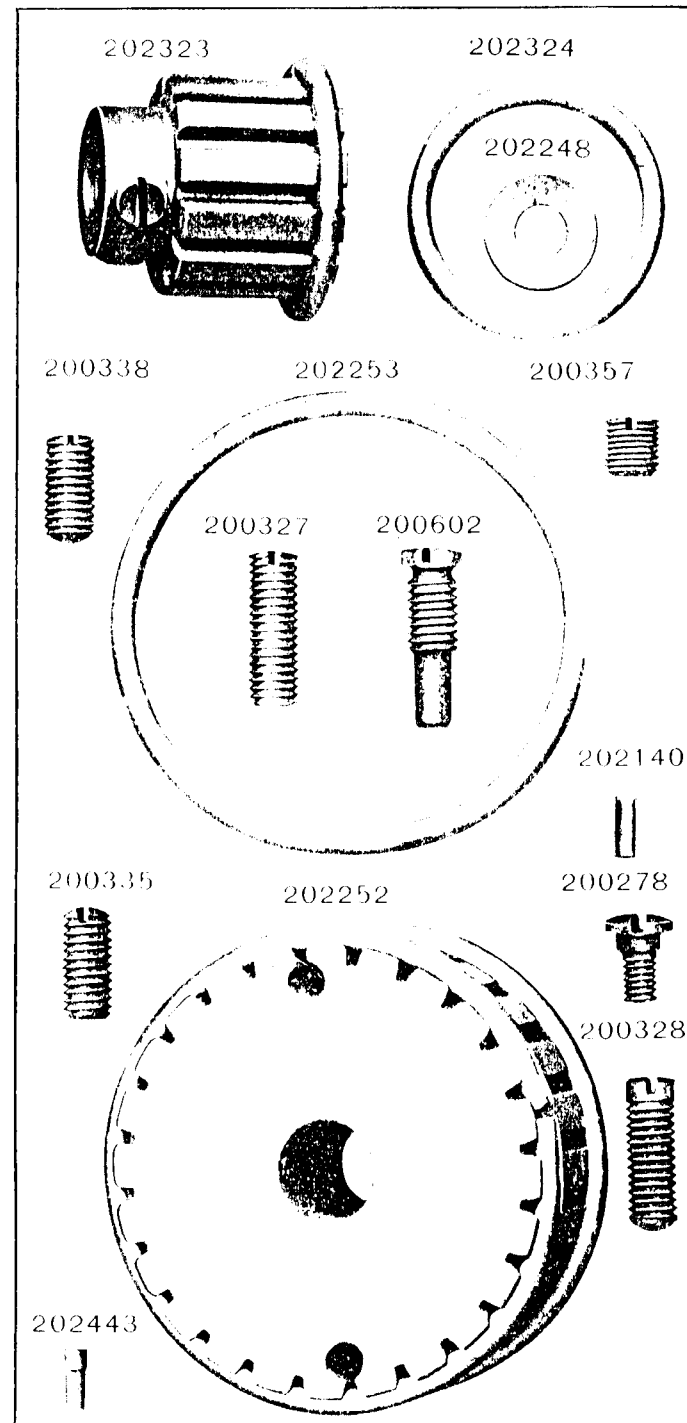


PLATE 10247—FULL SIZE

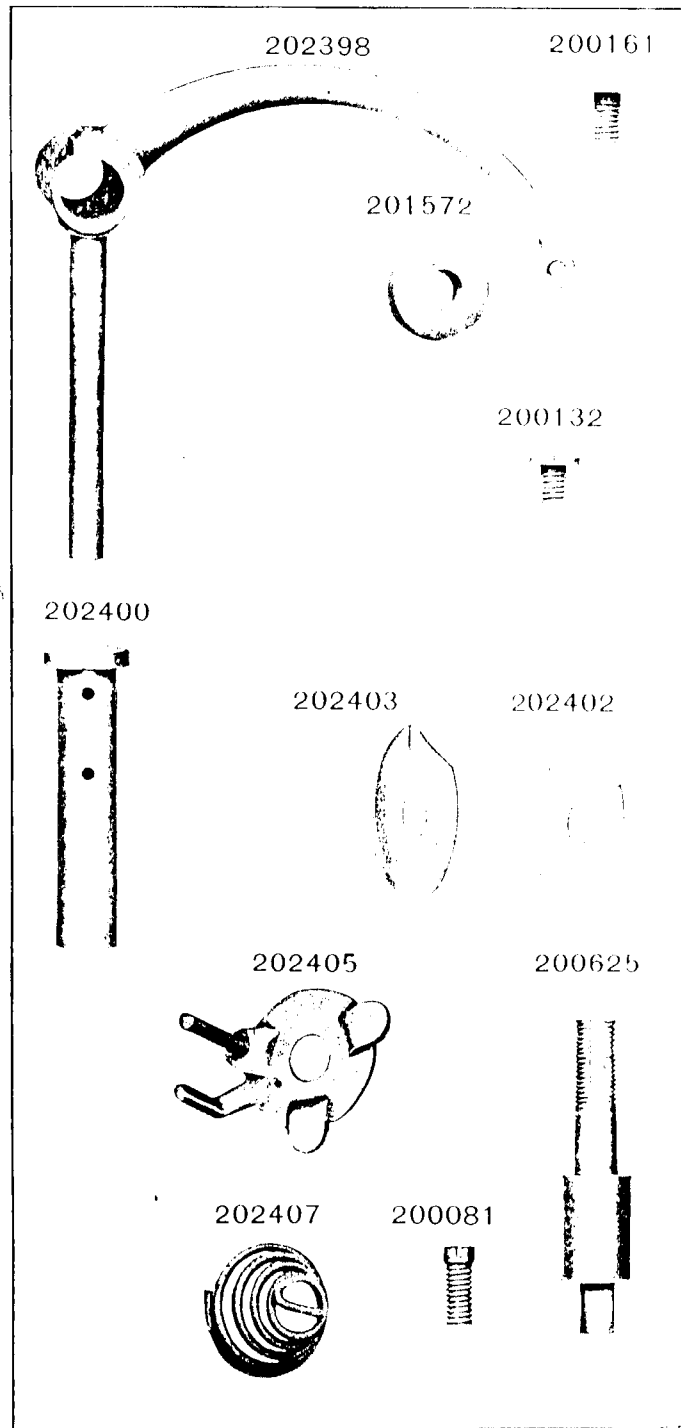


PLATE 10252—FULL SIZE

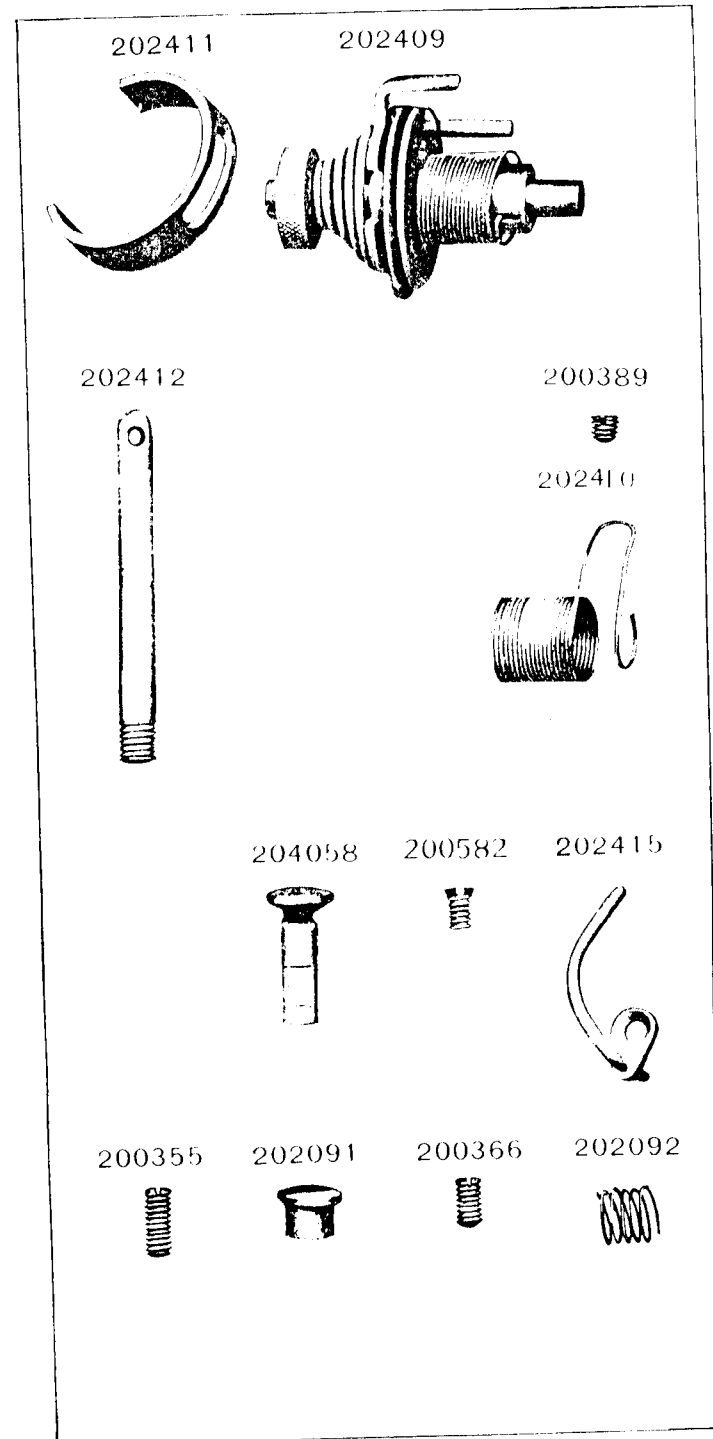




PLATE 10668—FULL SIZE

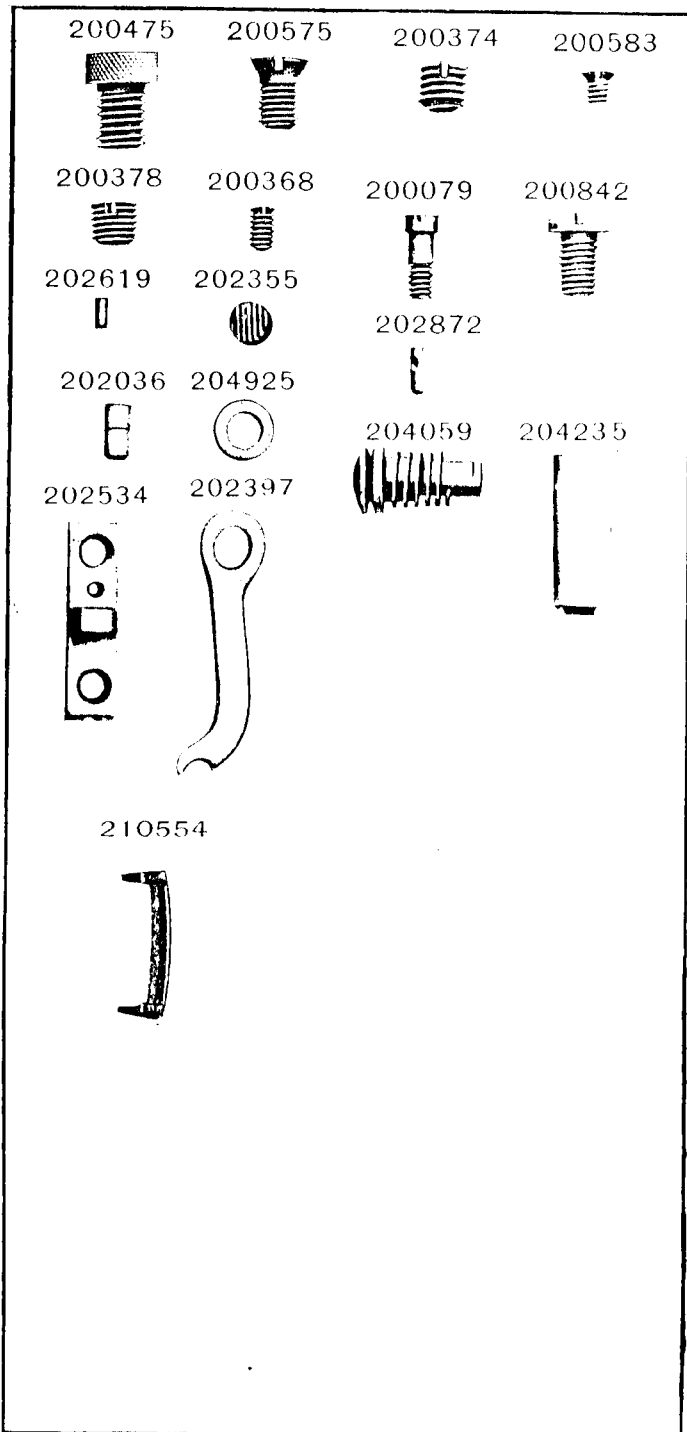


PLATE 10881—FULL SIZE

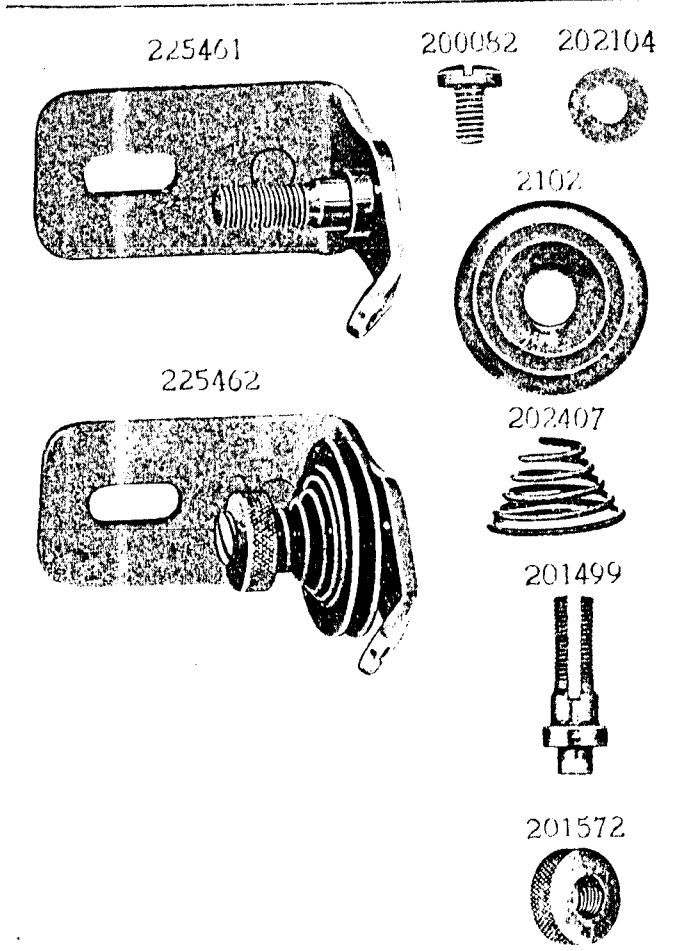
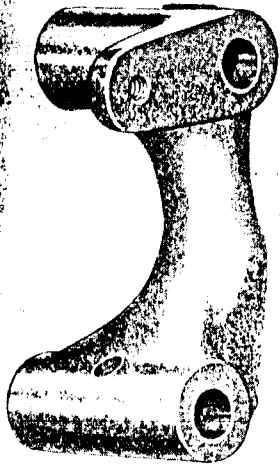
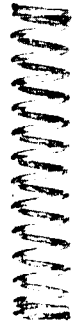


PLATE 10882—FULL SIZE

225453



225455



225438



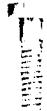
225457



201052



200056



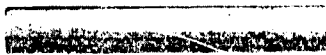
225456



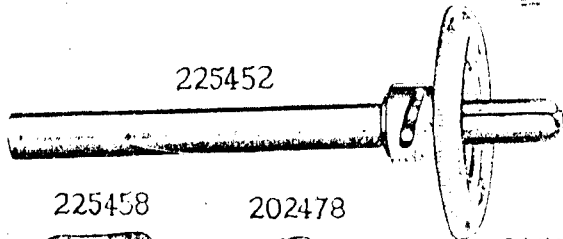
200299



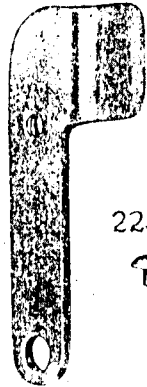
225454



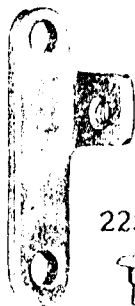
225452



225458



202478



225444



225459



225460



PLATE 10883—ONE-FOURTH SIZE

225463



202473



225436

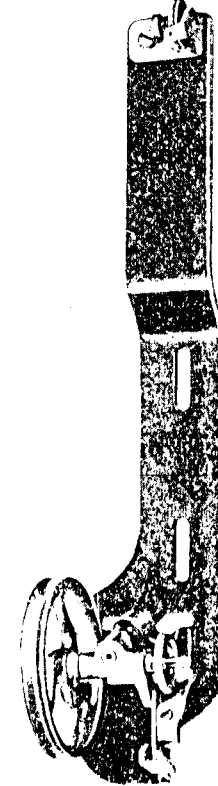


PLATE 11670-ONE-HALF SIZE

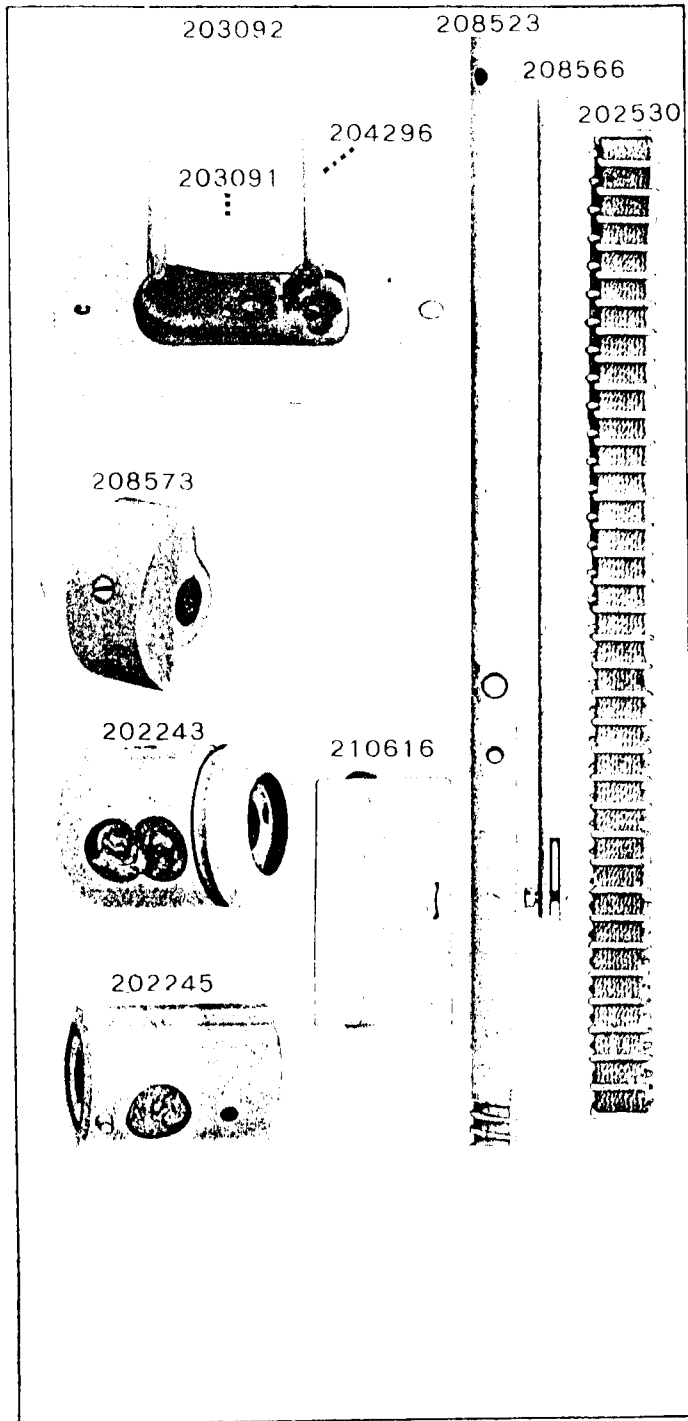


PLATE 11671-FULL SIZE

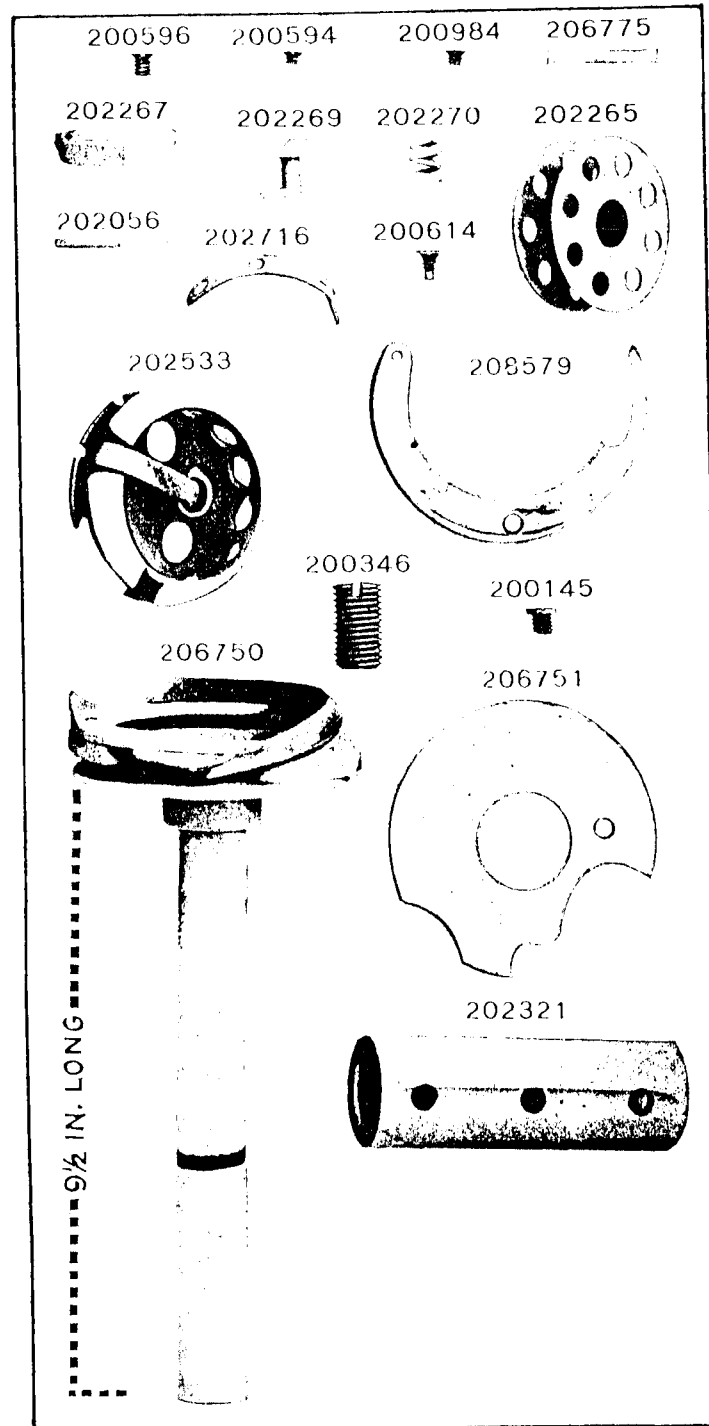


PLATE 11672 - FULL SIZE

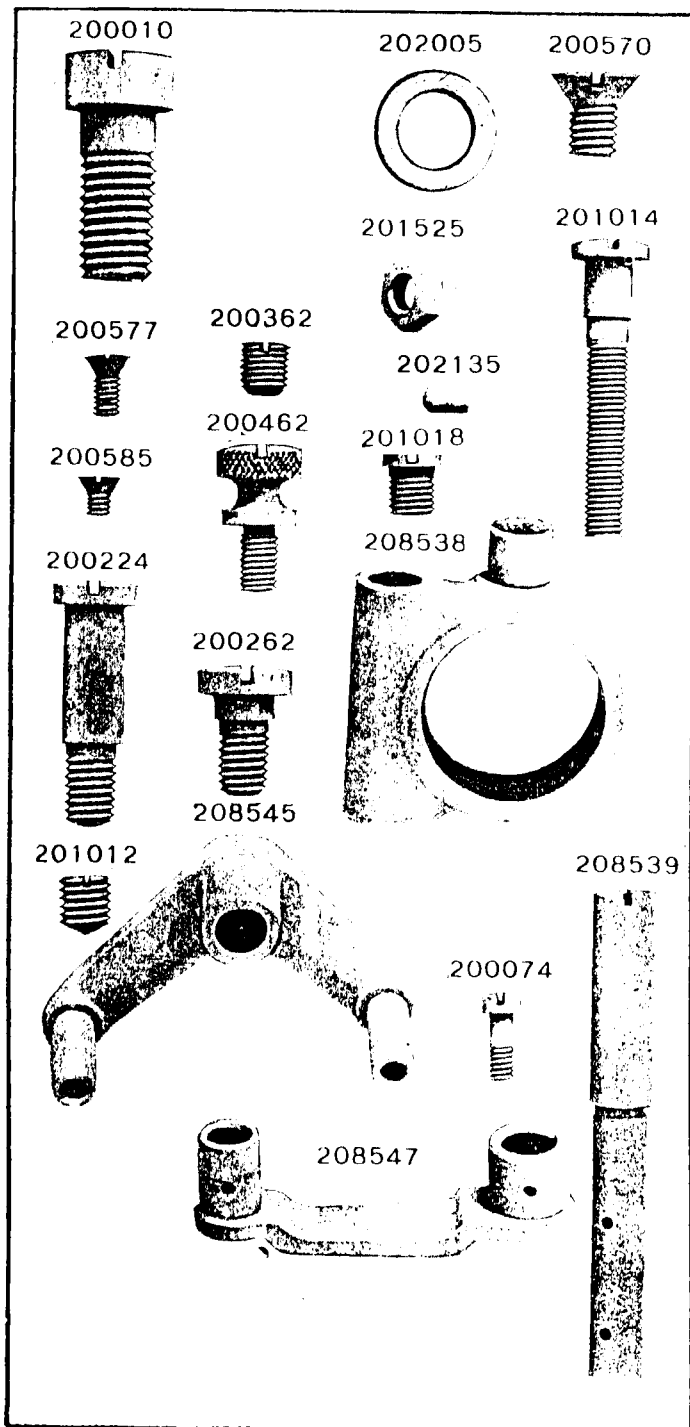


PLATE 11673 - FULL SIZE

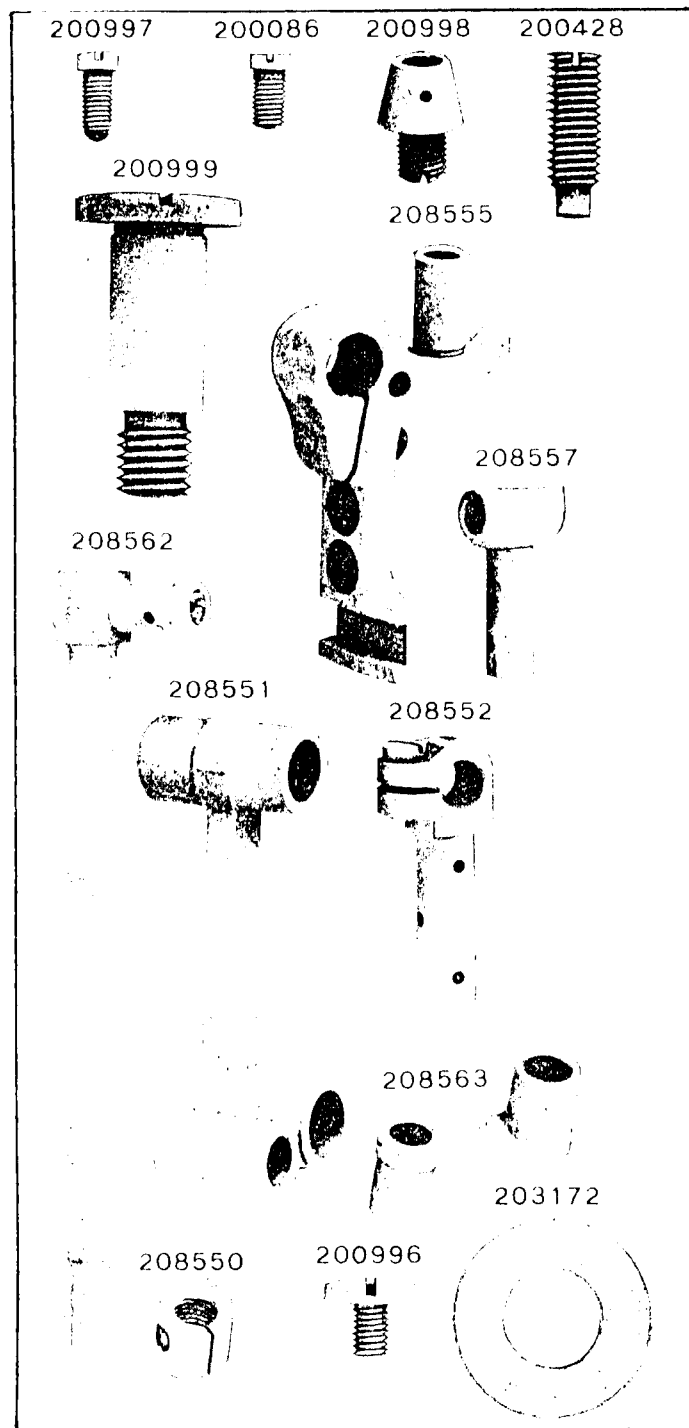




PLATE 11674 - FULL SIZE

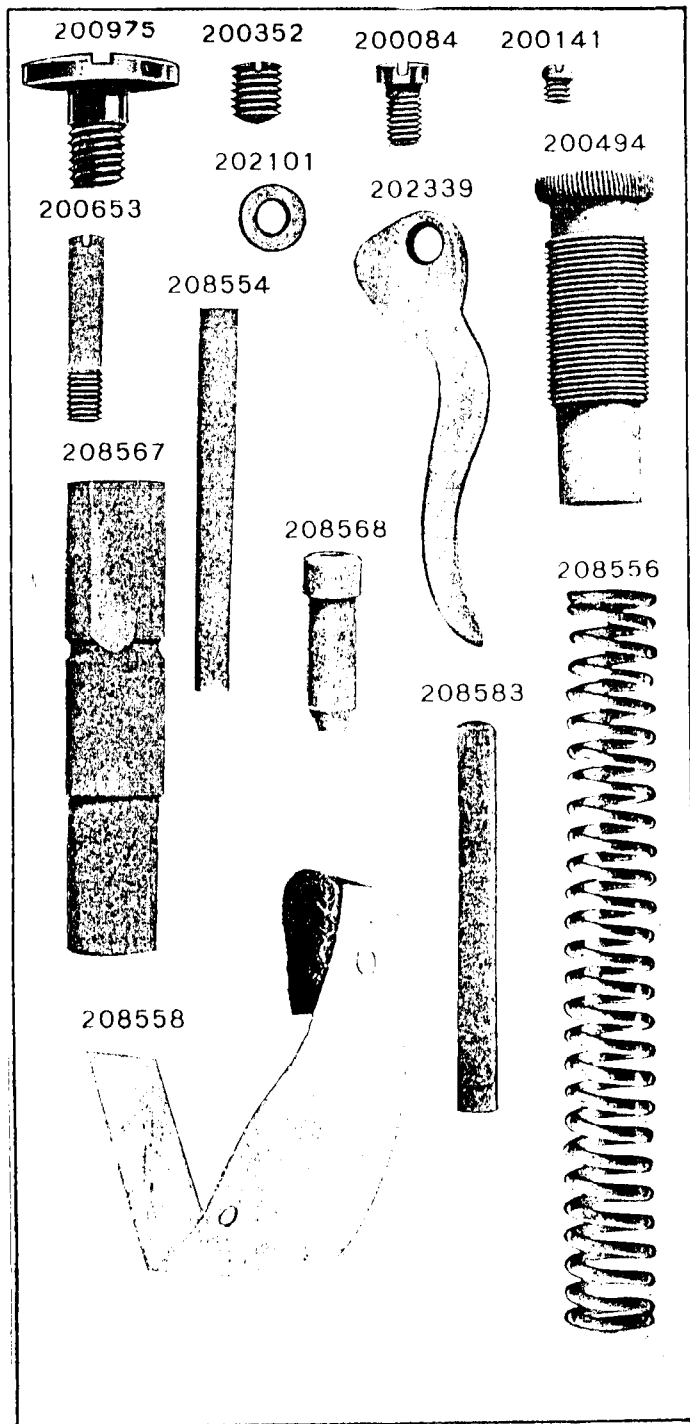


PLATE 11675 - FULL SIZE

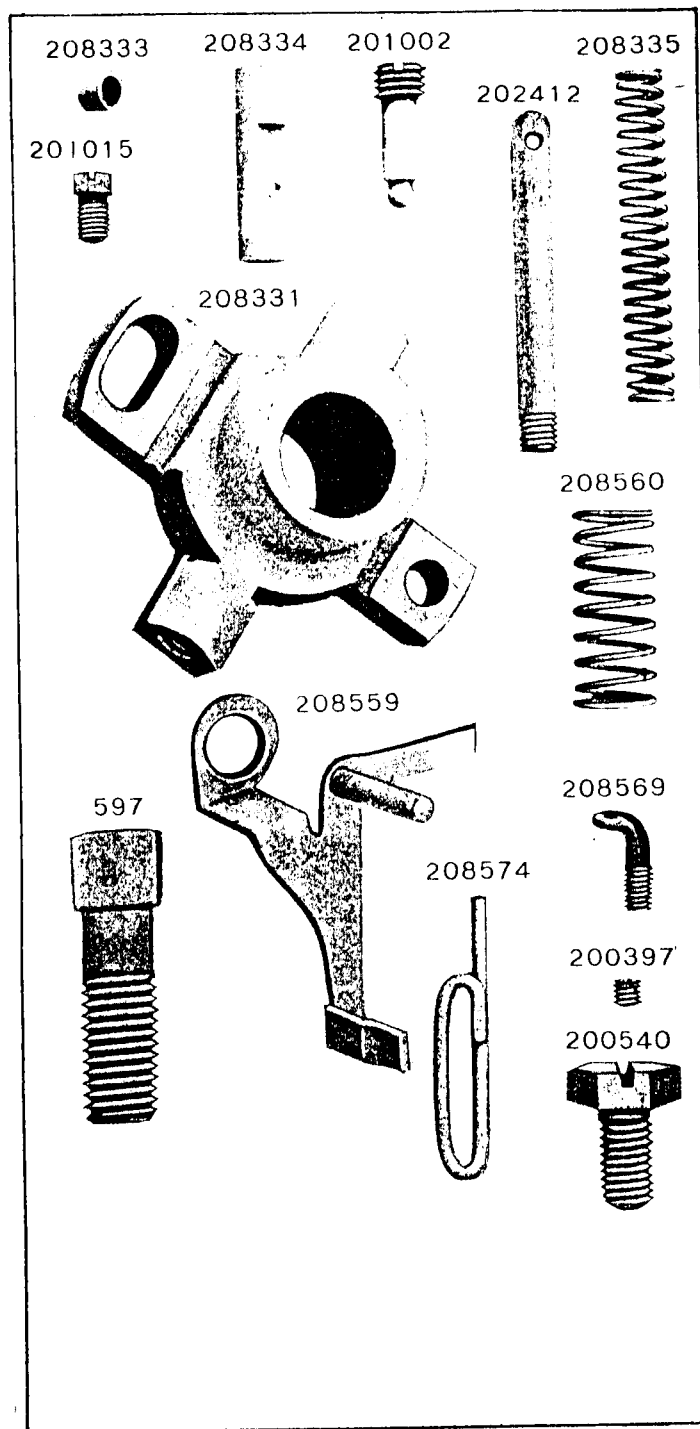


PLATE 11682-ONE-FOURTH SIZE

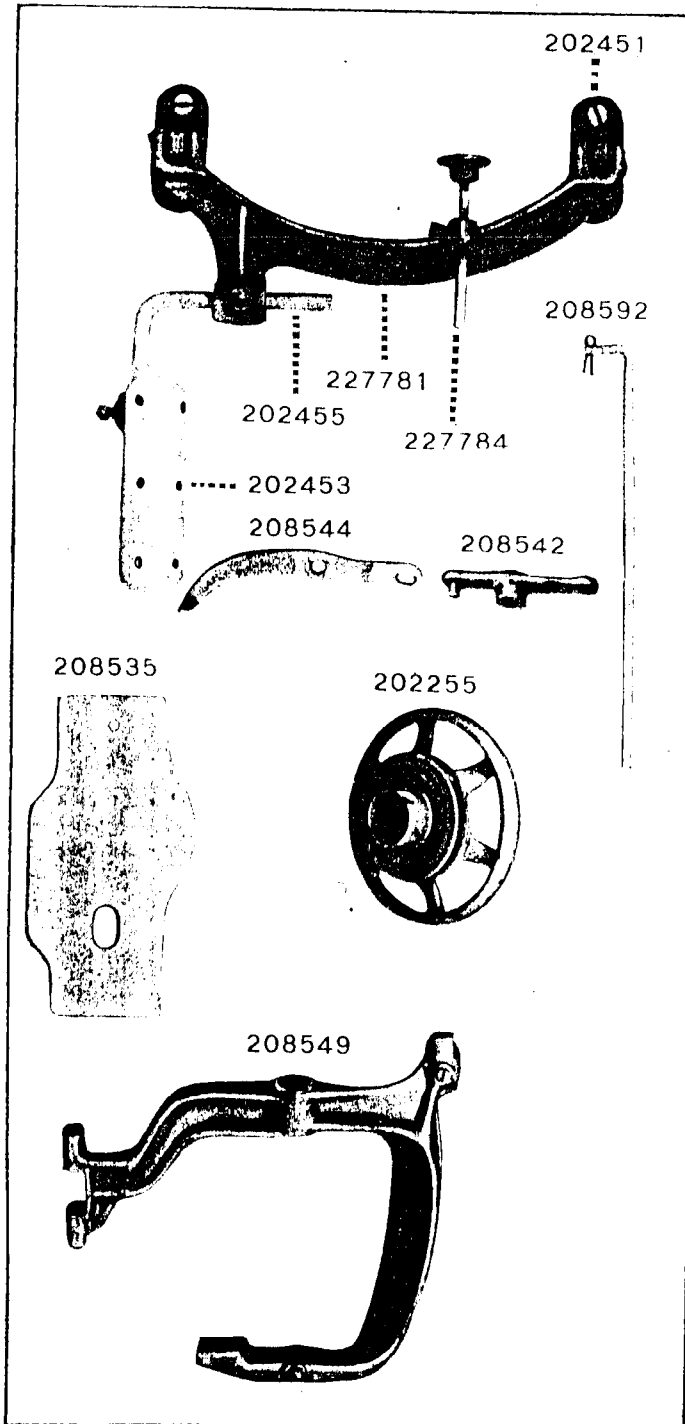


PLATE 11691-FULL SIZE

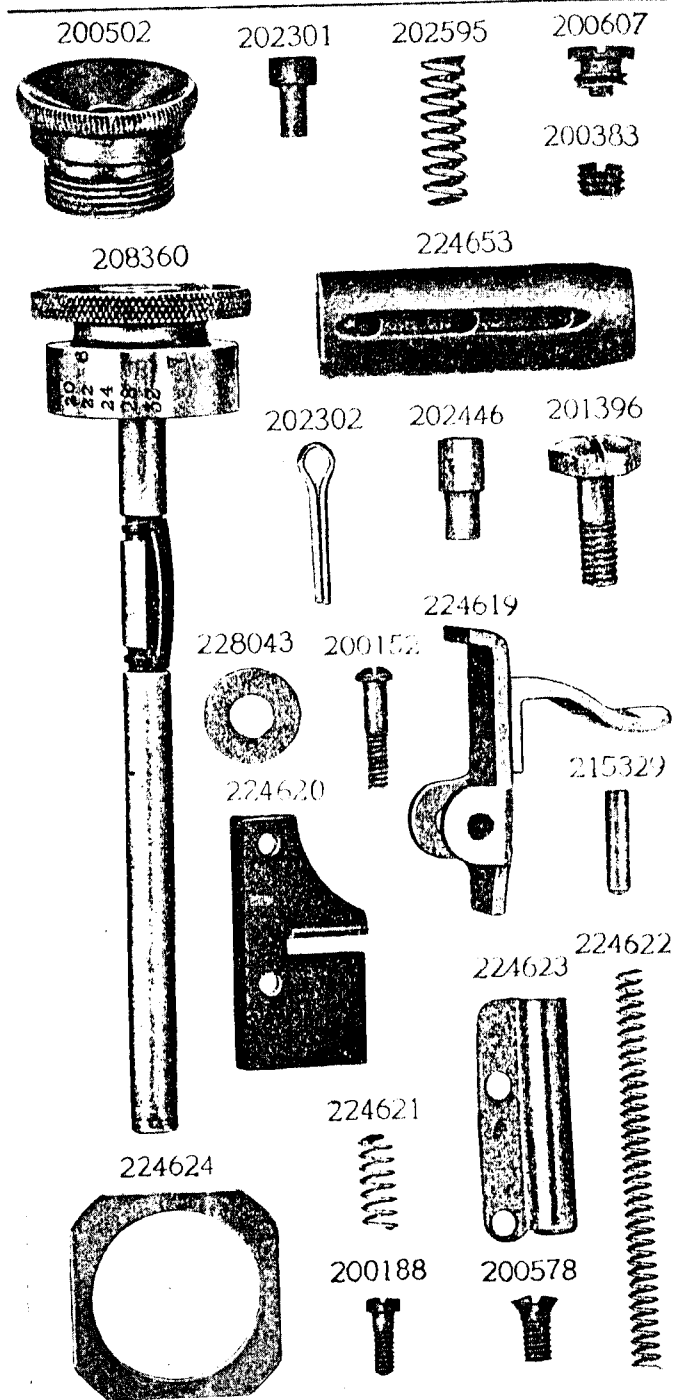
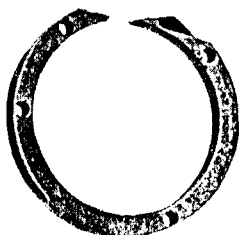


PLATE 11692—ONE-HALF SIZE

224613



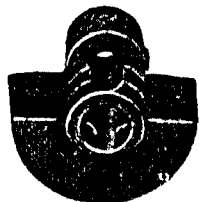
224614



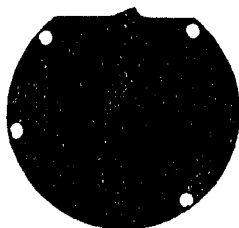
224612



224633



224615



224616

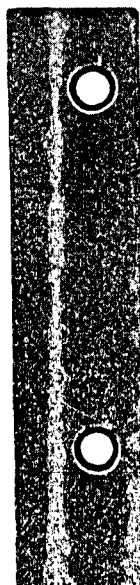


224617

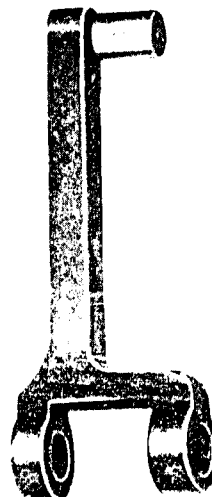


PLATE 11693—FULL SIZE

224625



224626



224627



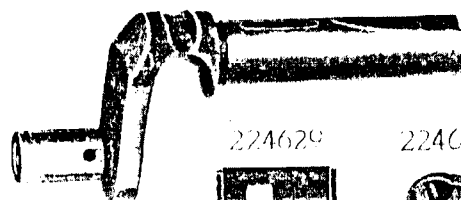
224632



200125



224628



224629



224645



224630



200175



200054



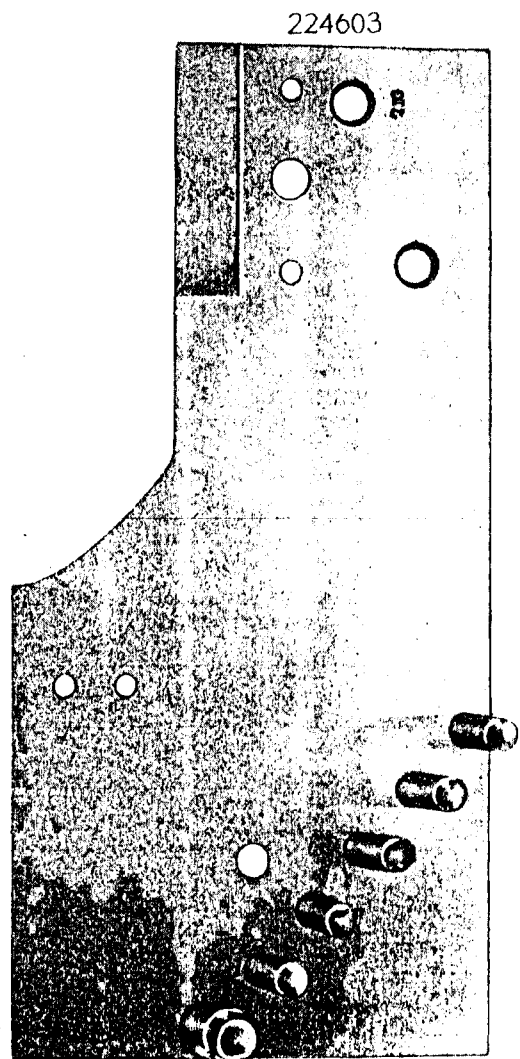
224654



201387



PLATE 11696—FULL SIZE



224604



224605



225671

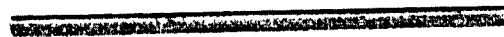


PLATE 11697—ONE-HALF SIZE

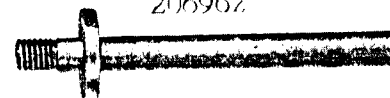
206966



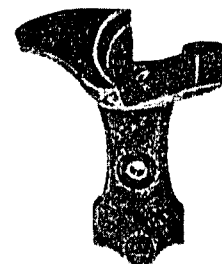
224650



206962



224647



206964

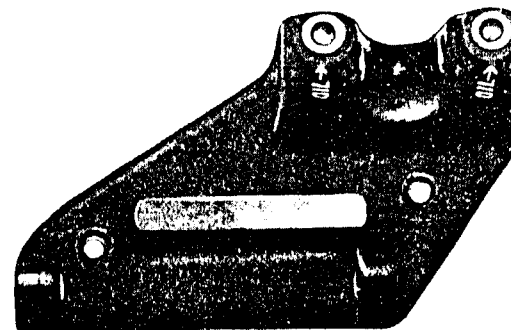
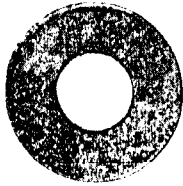


PLATE 11698—FULL SIZE

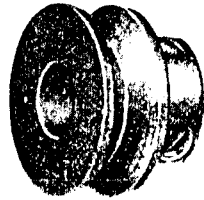
201510



204101



206963



200403



54897



202126



201399



224649



200353



200326



201528



201021



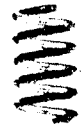
200457



224651



205711



227724



PLATE 12345—ONE-HALF SIZE

41400



225497



225498



202258



36578

225554



36579

