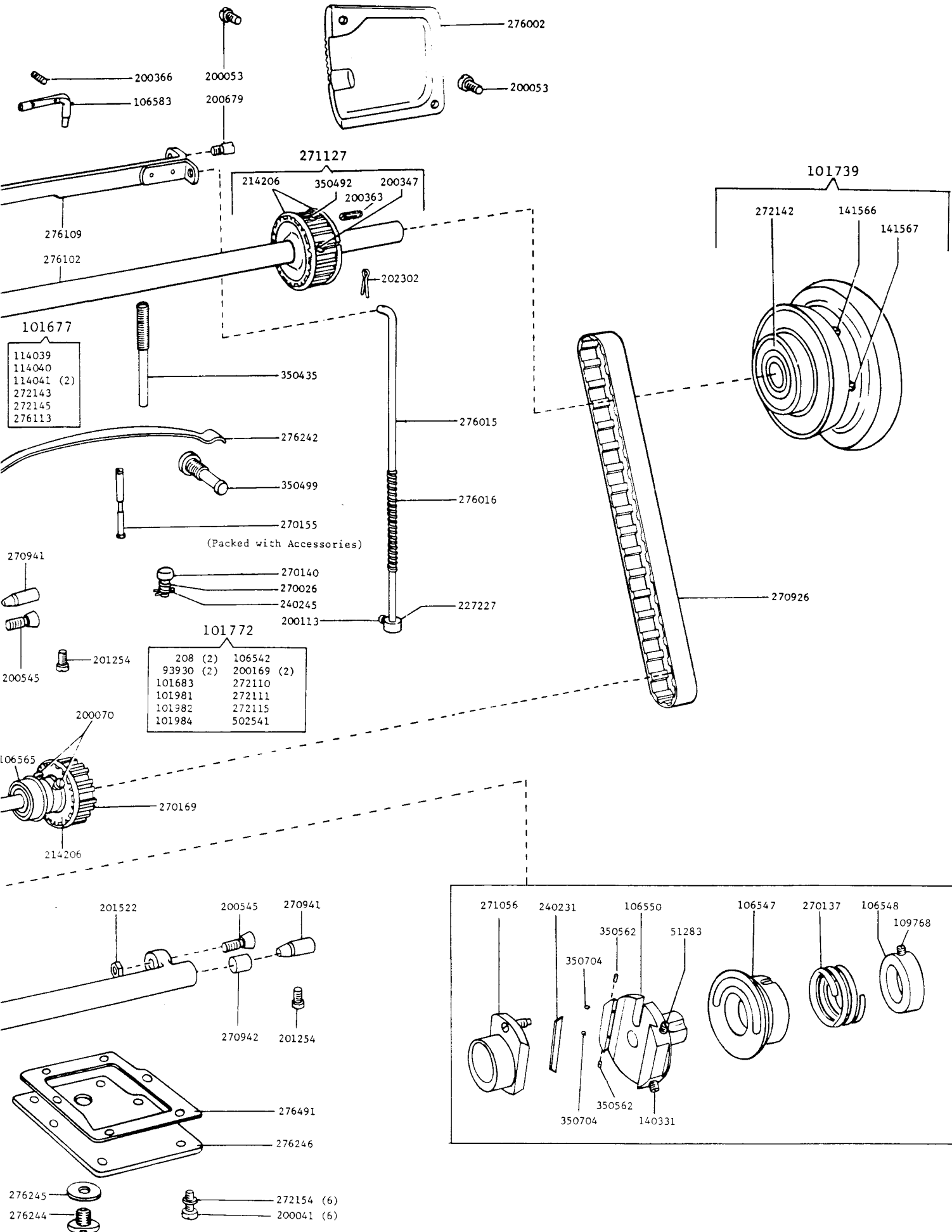
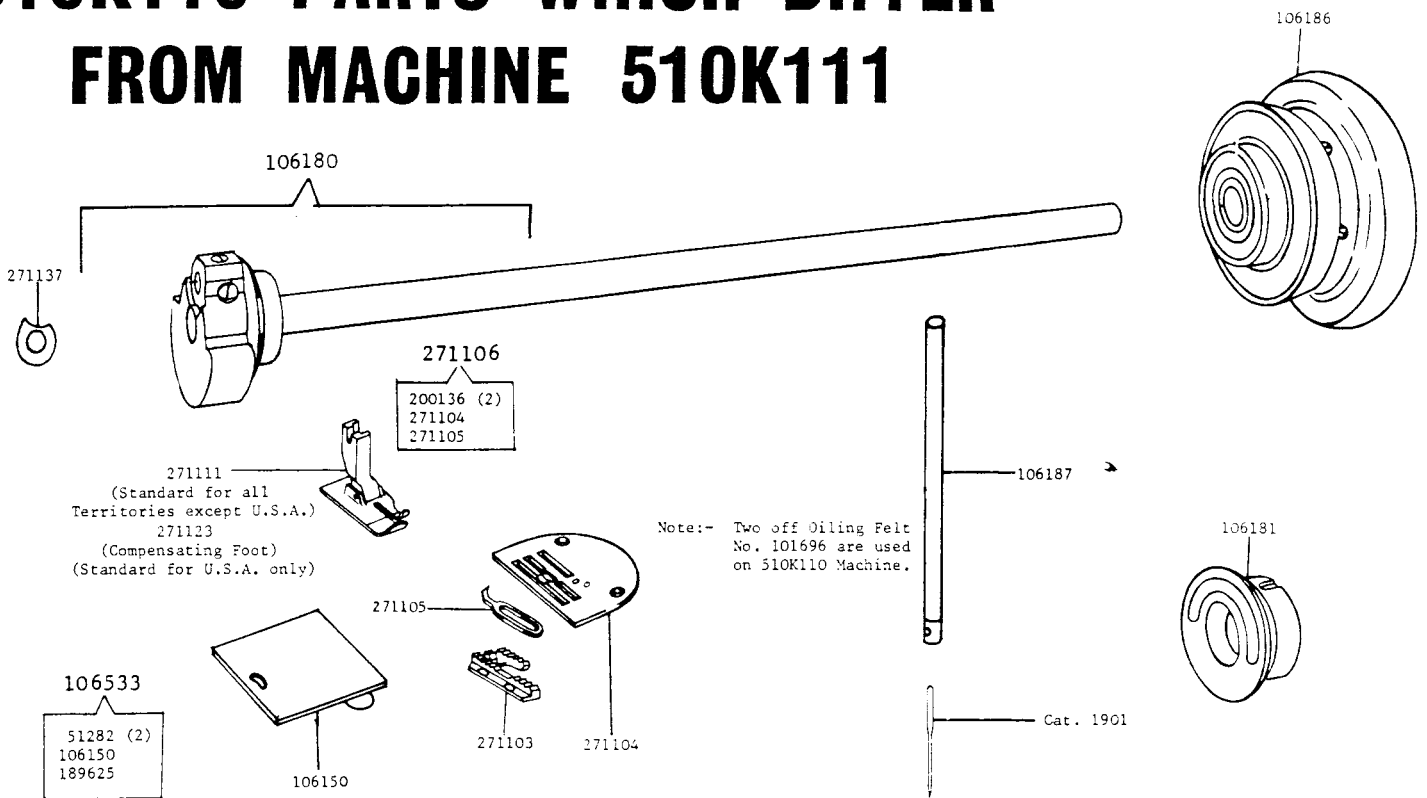


SINGER
510K111/K110



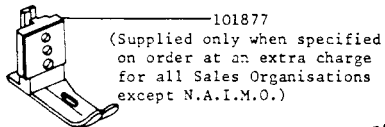
510K110 PARTS WHICH DIFFER FROM MACHINE 510K111



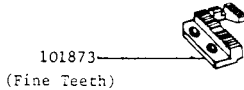
Note:- Two off Dilling Felt No. 101696 are used on 510K110 Machine.

OPTIONAL FITTINGS

FOR 510K111

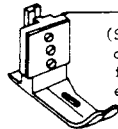


101877
(Supplied only when specified on order at an extra charge for all Sales Organisations except N.A.I.M.O.)



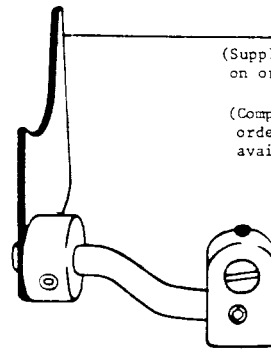
101873
(Fine Teeth)

FOR 510K110

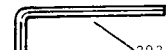


271123
(Supplied only when specified on order at an extra charge for all Sales Organisations except N.A.I.M.O.)

BELT GUARD



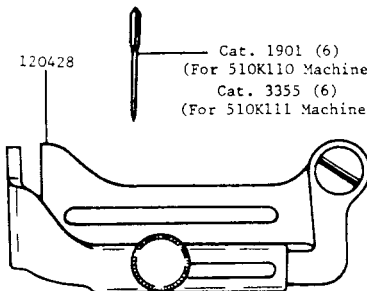
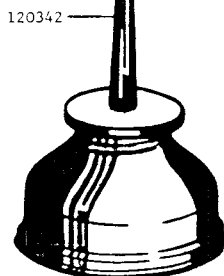
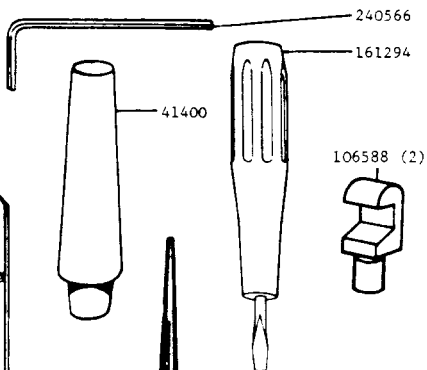
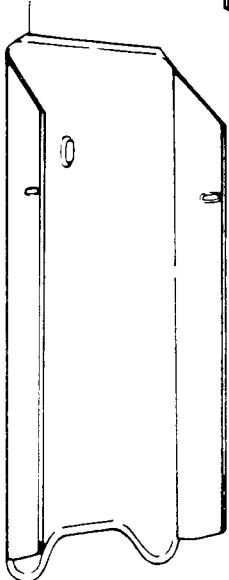
106505
(Supplied only when specified on order and at no extra charge)
503678
(Complete coverage type to be ordered from Karlsruhe, available at an extra charge)



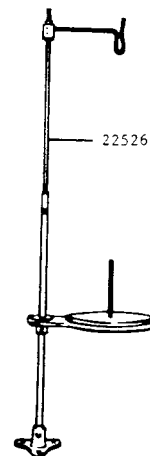
293-982
Supplied only when specified on order, at no extra charge.

ACCESSORIES

228479
(Machine part - Packed with Accessories)



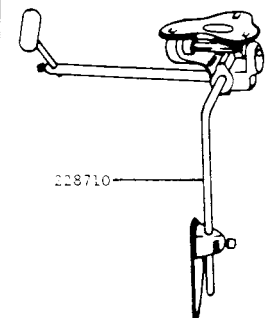
THREAD UNWINDER
(SUPPLIED ONLY WHEN SPECIFIED ON ORDER AT NO EXTRA CHARGE)



THREAD CONE (WOOD)
(SUPPLIED ONLY WHEN SPECIFIED ON ORDER AT NO EXTRA CHARGE)



KNEE LIFTER
(SUPPLIED WITH MACHINE)



| Part No. | Used on 510K110 | Used on 510K111 | Description |
|-------------|--------------------|--------------------|---|
| 176(809) | X | X | Presser Foot Screw |
| 200(806) | X | X | Looper Set Screw |
| 208(830) | X | X | Feed Dog Screw |
| 209(830) | X | X | Needle Set Screw |
| 217(819) | X | X | Face Plate Thread Guide and Retainer Screw |
| 238(809) | X | X | Needle Bar Thread Guide Screw |
| 453(830) | X | X | Tension Stud Holder Set Screw |
| 462(830) | X | X | Looper Shaft Collar Set Screw |
| 691(806) | X | X | Throat Plate Screw |
| 1259(830) | X | X | Feed Lifting Eccentric Position Screw |
| 1259(830) | X | X | Looper Shaft Driving Gear Set Screw |
| 1259(830) | X | X | Looper Shaft Gear Screw |
| 1560(803) | X | X | Tension Thumb Nut |
| 2102 | X | X | Tension Disc |
| 9543 | X | X | Thread Check Disc |
| 32572 | X | X | Tension Releasing Disc |
| 50304(806) | X | X | Tension Stud |
| 50305(803) | X | X | Tension Stud Set Screw |
| 51282(809) | X | X | Bed Slide Spring Screw |
| 51283(803) | X | X | Feed Driving Flange Position Screw |
| 51460(805) | X | X | Thread Take-up Pinch Screw |
| 52083 | X | X | Tension Stud Holder with 50305(803) |
| 54515 | X | X | Tension Releasing Pin |
| 93517 | X | X | Needle Bar Connecting Link |
| 93518 | X | X | Needle Bar Connecting Link 93517 with 270266 |
| 93519 | X | X | Needle Bar Connecting Link Guide Block |
| 93520 | X | X | Needle Bar Connecting Link Slide Block |
| 93521 | X | X | Needle Bar Connecting Stud with 202277 and 350622(830) |
| 93522 | X | X | Needle Bar Connecting Link 93518 with 93521 |
| 93930 | X | X | Feed Bar Hinge Pin Thrust Washer |
| 101677 | | X | Arm Shaft with Needle Bar Crank and 114039(869), 114040(869), 272143, 272145, 276113 and two 114041(869) |
| 101679(867) | | X | Bed Slide |
| 101680 | | X | Bed Slide 101679(867) with 189625 and two 51282(809) |
| 101681(819) | X | X | Face Plate |
| 101682 | X | X | Face Plate complete, Nos. 101681(819), 106538(850), two 106357(850) and six 217(819) |
| 101683 | | X | Feed Dog |
| 101687 | X | X | Looper Driving Shaft Bushing |
| 101688 | X | X | Looper Shaft |
| 101689 | X | X | Looper Shaft Bushing |
| 101690 | X | X | Looper Shaft 101688 with 101689, 271013, 271046 and two 270653 |
| 101691 | X | X | Looper Shaft Driving Gear Note: Order Set of Mated Gears No. 106420 |
| 101692 | X | X | Looper Shaft Driving Gear Oil Sling |
| 101693 | X | X | Looper Shaft Gear with two 1259(830) Note: Order Set of Mated Gears No. 106420 |
| 101694 | | X | Needle Bar with 209(830) |
| 101695 | X | X | Needle Bar Bushing (lower) |
| 101696 | X | X | Needle Bar Oiling Felt |
| 101699 | | X | Presser Foot - Supplied as Standard with machines for territories other than N.A.I.M.O. unless otherwise specified on order. |
| 101702(806) | | X | Throat Plate |
| 101703 | | X | Throat Plate Thread Retainer and Needle Guard |
| 101739 | | X | Machine Pulley with 141566(803), 141567(803) and 272142 |
| 101772 | | X | Feed Shaft Assembly, Nos., 101683, 101981, 101982, 101984, 106542, 272110, 272111, 272115, 502541, two each 208(830), 93930 and 200169(803) |
| 101782 | X | X | Looper |
| 101785 | X | X | Looper Driving Shaft |
| 101877 | | X | Presser Foot (compensating) - Supplied as Standard with machines for N.A.I.M.O. unless otherwise specified on order. |
| 101957 | | X | Throat Plate 101702 with 101703 and two 200136(809) |
| 101981 | X | X | Feed Bar |
| 101982 | X | X | Feed Bar Hinge Pin Lubricating Felt |
| 101984 | X | X | Feed Driving Rock Shaft with two each 200394(803) and 270942 |
| 106150(867) | X | | Bed Slide |
| 106180 | X | | Arm Shaft with Needle Bar Crank and 114039(803), 114040(803), 272143, 272145, 276021, 276113 and two 114041(803) |
| 106181 | X | | Feed Driving Eccentric Adjusting Disc |
| 106184 | X | | Feed Shaft Assembly, Nos. 101981, 101982, 101984, 106542, 271103, 272110, 272111, 272115, 502541, two each 208(830), 93930 and 200169(803) |
| 106186 | X | | Machine Pulley with 141566(803), 141567(803) and 272142 |
| 106187 | X | | Needle Bar with 209(830) |
| 106252 | X | X | Feed Lifting Eccentric with two 1259(830) |
| 106420 | X | X | Set of Mated Gears, Nos. 101691, 101692 and 101693 |
| 106533 | X | | Bed Slide 106150 with 189625 and two 51282(809) |
| 106535(850) | X | X | Face Plate Thread Guard |
| 106537(850) | X | X | Face Plate Thread Guide (adjustable) (front and rear) |

| Part No. | Used on 510K110 | Used on 510K111 | Description |
|-------------|--------------------|--------------------|---|
| 106538(850) | X | X | Face Plate Thread Retainer |
| 106542 | X | X | Feed Bar Lifting Crank with 200040(805) |
| 106547 | X | X | Feed Driving Eccentric Adjusting Disc |
| 106548 | X | X | Feed Driving Eccentric Adjusting Disc Spring Collar with 109768(841) |
| 106550 | X | X | Feed Driving Flange with 51283(803), 140331(803), two each 350562(841) and 350704(841) |
| 106552 | X | X | Feed Lifting Rock Shaft with two 270942 |
| 106565 | X | X | Looper Driving Shaft Ball Bearing |
| 106578 | X | X | Needle Bar Connecting Link Hinge Stud |
| 106579 | X | X | Needle Bar Thread Guide |
| 106582 | X | X | Tension complete, Nos. 1560(803), 32572, 50304(806), 52083, 54515, 272219 and two 2102 |
| 106583 | X | X | Thread Guide |
| 106584 | X | X | Thread Take-up with 51460(805) |
| 109768(841) | X | X | Feed Driving Eccentric Adjusting Disc Spring Collar Set Screw |
| 114039(869) | X | X | Needle Bar Crank Position Screw |
| 114040(869) | X | X | Needle Bar Crank Position Screw Check Screw |
| 114041(869) | X | X | Needle Bar Connecting Link Hinge Stud Set Screw |
| 140331(803) | X | X | Feed Driving Flange Set Screw |
| 140333(830) | X | X | Looper Shaft Driving Gear Position Screw |
| 141566(803) | X | X | Machine Pulley Position Screw |
| 141567(803) | X | X | Machine Pulley Set Screw |
| 189625 | X | X | Bed Slide Spring |
| 200040(805) | X | X | Feed Driving Connection Crank Pinch Screw |
| 200040(805) | X | X | Feed Bar Lifting Crank Pinch Screw |
| 200041(805) | X | X | Looper Oil Reservoir Cover Screw |
| 200053(809) | X | X | Arm Cover Screw |
| 200054(805) | X | X | Needle Bar Connecting Link Guide Block Screw |
| 200113(806) | X | X | Knee Lifter Lifting Rod Spring Collar Set Screw |
| 200132(805) | X | X | Tension Releaser Screw |
| 200136(809) | X | X | Throat Plate Thread Retainer Screw |
| 200154(806) | X | X | Thread Check Screw |
| 200169(803) | X | X | Feed Bar Lifting Link Cap Screw |
| 200272(830) | X | X | Knee Lifter Rock Frame Hinge Screw (front) |
| 200293(830) | X | X | Knee Lifter Lifting Link Hinge Screw |
| 200346(803) | X | X | Looper Driving Shaft Bushing Set Screw |
| 200346(803) | X | X | Looper Shaft Bushing Position Screw |
| 200347(830) | X | X | Arm Shaft Connection Belt Pulley Set Screw |
| 200363(830) | X | X | Arm Shaft Connection Belt Pulley Position Screw Locking Screw |
| 200366(809) | X | X | Thread Guide Set Screw |
| 200394(803) | X | X | Feed Bar Hinge Pin Set Screw |
| 200545(803) | X | X | Feed Driving Connection Crank Hinge Screw |
| 200545(803) | X | X | Feed Lifting Connection Hinge Screw |
| 200679(806) | X | X | Knee Lifter Rock Frame Hinge Screw (back) |
| 201254(830) | X | X | Feed Driving Rock Shaft Centre Set Screw |
| 201254(830) | X | X | Feed Lifting Rock Shaft Centre Set Screw |
| 201522(805) | X | X | Feed Driving Connection Crank Hinge Screw Nut |
| 201522(805) | X | X | Feed Lifting Connection Hinge Screw Nut |
| 202277 | X | X | Needle Bar Connecting Stud Oil Packing Wick |
| 202302 | X | X | Knee Lifter Lifting Rod Cotter Pin |
| 214206 | X | X | Arm Shaft Connection Belt Pulley Spring Flange |
| 214206 | X | X | Looper Driving Shaft Connection Belt Pulley Spring Flange |
| 227227 | X | X | Knee Lifter Lifting Rod Spring Collar with 200113(806) |
| 240231 | X | X | Feed Driving Eccentric Friction Gib |
| 240245 | X | X | Feed Regulating Stud Retaining Spring |
| 247606 | X | X | Thread Check Bracket |
| 247607 | X | X | Thread Check Cap |
| 247619 | X | X | Thread Check Spring |
| 270013 | X | X | Feed Lifting Connection |
| 270014 | X | X | Feed Lifting Connection 270013 with 270016 |
| 270016 | X | X | Feed Lifting Connection Needle Bearing |
| 270026 | X | X | Feed Regulating Stud Spring |
| 270036 | X | X | Looper Driving Shaft Oil Lead Wire |
| 270137 | X | X | Feed Driving Eccentric Adjusting Disc Spring |
| 270140 | X | X | Feed Regulating Stud |
| 270169 | X | X | Looper Driving Shaft Connection Belt Pulley with 214206 and two 200070(803) |
| 270256 | X | X | Knee Lifter Lifting Link |
| 270266 | X | X | Needle Bar Connecting Link Needle Bearing |
| 270267 | X | X | Needle Bar Connecting Link Thrust Washer |
| 270653 | X | X | Looper Shaft Needle Bearing (not illustrated) |
| 270855 | X | X | Needle Bar Bushing (upper) |
| 270926 | X | X | Arm Shaft Connection Belt |
| 270941 | X | X | Feed Driving Rock Shaft Centre |
| 270941 | X | X | Feed Lifting Rock Shaft Centre |
| 270942 | X | X | Feed Driving Rock Shaft Insert (nylon) |
| 270942 | X | X | Feed Lifting Rock Shaft Insert (nylon) |
| 271013 | X | X | Looper Shaft Collar with 200(806) and 462(830) |
| 271046 | X | X | Looper Shaft Bushing Friction Plate |
| 271053 | X | X | Feed Driving Connection |
| 271054 | X | X | Feed Driving Connection 271053 with 271055 |
| 271055 | X | X | Feed Driving Connection Needle Bearing |
| 271056 | X | X | Feed Driving Eccentric |
| 271103 | X | X | Feed Dog |

| <u>Part No.</u> | <u>Used on 510K110</u> | <u>Used on 510K111</u> | <u>Description</u> |
|-----------------|----------------------------|----------------------------|--|
| 271104 | X | | Throat Plate |
| 271105 | X | | Throat Plate Thread Retainer and Needle Guard |
| 271106 | X | | Throat Plate 271104 with 271105 and two 200136(804) |
| 271111 | X | | Presser Foot - Supplied as Standard with machines for territories other than N.A.I.M.O. unless otherwise specified on order. |
| 271123 | X | | Presser Foot (compensating) - Supplied as standard with machines for N.A.I.M.O. unless otherwise specified on order. |
| 271127 | X | | Arm Shaft Connection Pulley with 200347(830), 200363(830), 350492(803) and two 214206 |
| 271137 | X | | Needle Bar Connecting Link Thrust Washer |
| 272110 | X | X | Feed Bar Lifting Link |
| 272111 | X | X | Feed Bar Lifting Link Oiling Wick Clamp |
| 272113 | X | X | Feed Driving Connection Crank with 200040(805) |
| 272115 | X | X | Feed Bar Lifting Link Oiling Wick |
| 272122 | X | X | Presser Bar Position Guide with 350411(803) |
| 272142 | X | X | Arm Shaft Ball Bearing (back) |
| 272143 | X | X | Arm Shaft Ball Bearing (front) |
| 272145 | X | X | Needle Bar Connecting Link Hinge Stud Oiling Felt Flange |
| 272154 | X | X | Looper Oil Reservoir Cover Screw Washer |
| 272219 | X | X | Tension Spring |
| 276002 | X | X | Arm Cover |
| 276015 | X | X | Knee Lifter Lifting Rod with 202302 |
| 276016 | X | X | Knee Lifter Lifting Rod Spring |
| 276025 | X | X | Presser Bar Ball |
| 276028 | X | X | Presser Bar Lifting Releasing Lever Bracket |
| 276048 | X | X | Tension Releaser (adjustable) |
| 276053 | X | X | Needle Bar Connecting Link Hinge Stud Oiling Felt Oil Leader Tube |
| 276102 | X | X | Arm Shaft |
| 276109 | X | X | Knee Lifter Rock Frame Arm |
| 276113 | X | X | Needle Bar Connecting Link Hinge Stud Oiling Felt |
| 276117 | X | X | Presser Bar Lifter |
| 276241 | X | X | Presser Bar with 176(809) |
| 276242 | X | X | Presser Bar Spring |
| 276244 | X | X | Looper Oil Reservoir Drain Plug |
| 276245 | X | X | Looper Oil Reservoir Drain Plug Gasket |
| 276246 | X | X | Looper Oil Reservoir Cover |
| 276491 | X | X | Looper Oil Reservoir Cover Gasket |
| 276536 | X | X | Presser Bar Bushing |
| 350411(803) | X | X | Presser Bar Position Guide Pinch Screw |
| 350435(803) | X | X | Presser Bar Spring Screw |
| 350442(803) | X | X | Presser Bar Lifter Hinge Screw |
| 350492(803) | X | X | Arm Shaft Connection Belt Pulley Position Screw |
| 350499(841) | X | X | Presser Bar Spring Screw Stud |
| 350503(819) | X | X | Face Plate Screw |
| 350550(850) | X | X | Needle Bar Bushing (upper) Set Screw |
| 350562(841) | X | X | Feed Driving Eccentric Friction Gib Adjusting Screw Set Screw |
| 350622(830) | X | X | Needle Bar Connecting Stud Pinch Screw |
| 350704(841) | X | X | Feed Driving Eccentric Friction Gib Adjusting Screw |
| 502541 | X | X | Feed Bar Hinge Pin (eccentric) |

OPTIONAL FITTINGS

| | | | |
|--------|---|---|---|
| 101873 | | X | Feed Dog (fine teeth) (14 teeth per inch) |
| 101877 | | X | Presser Foot (compensating) |
| 271123 | X | | Presser Foot (compensating) |

ACCESSORIES

| | | | |
|-----------|---|---|---|
| 293-982 | X | X | Belt Guard Screw Key (Only supplied when specified on order at no extra charge) |
| 27739 | X | X | Thread Cone (wood) (Only supplied when specified on order, at no extra charge) |
| 41400 | X | X | Machine Rest Pin (wood) |
| 86698-001 | X | X | Tin of Oil (1/2 pint) (Type A) |
| 106505 | X | X | Belt Guard (Only supplied when specified on order, at no extra charge) |
| 106588 | X | X | Machine Hinge Connection |
| 120342 | X | X | Oiler |
| 120428 | X | X | Guide (adjustable, hinged) |
| 161294 | X | X | Screw Driver |
| 225260 | X | X | Thread Unwinder (one spool) (Only supplied when specified on order, at no extra charge) |
| 228479 | X | X | Drip Pan with four 3/4" wire nails |
| 228710 | X | X | Knee Lifter Rock Lever complete |
| 240566 | X | X | Wrench |
| 270155 | X | X | Looper Driving Shaft Oil Reservoir Oil Gauge |
| 503678 | X | X | Belt Guard (complete coverage type) (order from Blankenloch) |