

**SINGER**  
**144WSV51**

# LIST OF PARTS



## SINGER\*\*

MACHINE No. 144wsv51

---

THE SINGER MANUFACTURING COMPANY

# INSTRUCTIONS FOR OILING

---

To ensure easy running and prevent unnecessary wear of the parts which are in movable contact, the machine requires oiling and when in continuous use, "TYPE B" or "TYPE D" OIL, sold only by Singer Sewing Machine Company, should be applied at least twice each day to all oil holes marked "OIL", as instructed in Form 3076w.

"TYPE D" OIL is stainless.

## INDEX

	Page
Accessories .....	15
Bobbin Winder .....	15
Machine No. 144wsv51 .....	5
Miscellaneous Parts .....	18
Mobile Field Unit .....	16
Numerical List of Parts .....	19
Spare Parts Kit .....	16
Thread Unwinder .....	17
Treadles Complete .....	18

## INSTRUCTIONS FOR ORDERING

In ordering from this list, use **ONLY** the **PART** number in the **FIRST** column.

The number stamped on a Sewing Machine Part is the number of the Single Part only, except when the part includes Set Screws, Clamping Screws, Studs and Rollers Spun on, Small Wires riveted, or Parts soldered together, etc., which it is necessary to furnish in combination.

Every combination of parts sent out has its specific number which, although not stamped on Parts (except in above case), must be used when ordering the combination.

Each number always indicates the **SAME PART** in whatever list it appears, or for whatever Machine.

The letters after some of the numbers indicate the style of finish only, as follows:

- A Hardened, Polished, Nickel Plated and Buffed.
- AL Heat Treated for Toughness.
- B Polished, Nickel Plated and Buffed.
- C Hardened only.
- D Polished only.
- E Soft, Not polished.
- F Hardened and Polished.
- H Blued.
- J Nickel Plated only.
- R Merlized.
- X Black Oxide, for Iron and Steel.
- XC Hardened and Black Oxide, for Iron and Steel.
- Y Black Nickel Plated only.
- Z Chromium Plated.

These letters **MUST BE USED** when they appear in the list and **AFTER** the number, as in the list.

In this series

1 to 1500, 200001 to 201500 and 350001 to 351500 are Screw Numbers.  
 1501 to 1800, 201501 to 201800 and 351501 to 351800 are Nut Numbers.  
 1801 to 2000, 201801 to 202000 and 351801 to 352000 are Roller Numbers.  
 2001 to 50000 and 202001 to 350000 are Numbers of Machine Parts.

The prefix "S" on part numbers indicates Serial Parts.

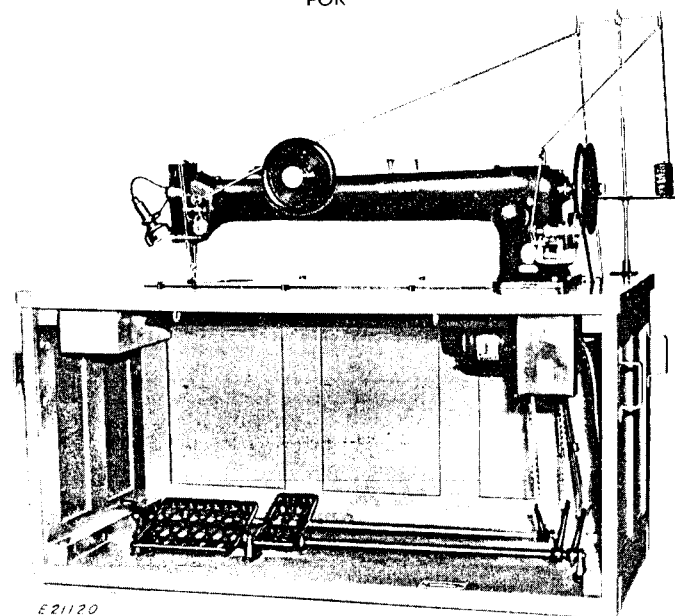
The figures in the second column refer only to the plate in which the illustration of the part is shown and are **NOT TO BE USED** in ordering.

Two or more numbers over a cut indicate that the difference between such parts is not visible in an illustration.

Parts marked with an asterisk (\*) are furnished only when repairs are made at the factory.

## LIST OF PARTS COMPLETE

FOR



### MACHINE No. 144wsv51

#### MOBILE FIELD UNIT

SINGLE NEEDLE LOCK STITCH MACHINE  
 WITH COMPOUND FEED, HIGH LIFT  
 ALTERNATING PRESSERS AND FEED  
 REVERSING MECHANISM.

FOR STITCHING TENTS, TARPAULINS  
 AND SIMILAR WORK.

HAS A HIGH ARM WITH A WORKING  
 SPACE OF 30 INCHES TO THE  
 RIGHT OF THE NEEDLE.

No.	Plate	Name
S99105	-----	Arm with two 240174
265001	18521	" Cap
265002	18521	Arm Cap and Tension Bracket complete, Nos. 792D, 225462, 228026 and 265001
200278H	18521	Arm Cap Screw
202248	18521	" " " Washer
265003	16140	" Cover
200166H	16140	" " Screw (2)

No.	Plate	Name
265073	16140	Arm Cross Shaft
265074	16140	" " " Bushing with 202260
202260	16140	" " " " Oil Packing (wick)
350452C	16140	" " " " Set Screw
265075	16140	" " " Gear with 200382C and 201220C
350419H	16140	Arm Cross Shaft Gear Adjusting Screw
201220C	16140	" " " " Position Screw
200382C	16140	" " " " Set Screw
8702	18524	" Position Pin (2)
50708E	18524	" Screw (4)
265213	18521	" Shaft
264641	18521	" " Bushing (back) with 202244
202244	18521	" " " " Oil Packing (wick)
200071E	18521	" " " " Screw (3)
265048	18521	" " " (center) with 202260
202260	18521	" " " " Oil Packing (wick)
200338C	18521	" " " " Set Screw
207080	18521	" " " (front) with 202244
202244	18521	" " " " Oil Packing (wick)
200502H	18521	" " " " " " Thumb Screw
200338C	18521	Arm Shaft Bushing (front) Set Screw
264602	18523	" " Connection Belt
265109	18523	" " " " Pulley with 200327C, 200342C and two 202253
200342C	18523	Arm Shaft Connection Belt Pulley Position Screw
200363C	18523	Arm Shaft Connection Belt Pulley Position Screw Check Screw
200327C	18523	Arm Shaft Connection Belt Pulley Set Screw
202253	18523	" " " " " Spring Flange
264503	18525	Arm Shaft Connection Belt Timing Collar with 200383C and 200398C
200398C	18525	Arm Shaft Connection Belt Timing Collar Position Screw
200383C	18525	Arm Shaft Connection Belt Timing Collar Set Screw
S99106	18525	Arm Shaft Connection Belt Timing Plate
200164B	18525	" " " " " " " Screw (2)
265005	16140	Arm Side Cover
265006	16140	" " " Gasket
200077D	16140	" " " Screw (3)
265214	18521	Balance Wheel (belt groove 6-3/4 in. diam.) with two 200039C
350419H	18521	Balance Wheel Adjusting Screw
200039C	18521	" " " Set Screw
S99107	-----	Bed
264644	18525	" Block (for Hook Saddle)
200194E	18525	" " " " " Screw (2)
265307	18524	" Hinge Connection (2)
200570E	18524	" " " " Screw (4)
54897	18525	" Oil Cup
264603	18524	" Slide (back)

No.	Plate	Name
223811	18524	Bed Slide (back) Stop
223812	18524	" " " " Spring
264604	18524	" " (front)
264645	18503	Bobbin
*265086	-----	" Case
265115	18503	" " Latch
*202056	-----	" " " Pin
264648	18503	" " " Plunger
264649	18503	" " " Spring
264650	18503	" " Oiling Felt
265066	18504	" " Opener
265087	18504	" " " Lever with 201349C, 201542C and 203101
201349C	18504	Bobbin Case Opener Lever Driving Screw Stud
201542C	18504	Bobbin Case Opener Lever Driving Screw Stud Nut
203101	18504	Bobbin Case Opener Lever Driving Screw Stud Oil Packing (wick)
265088	18504	Bobbin Case Opener Lever Hinge Stud with 202277
202277	18504	Bobbin Case Opener Lever Hinge Stud Oil Packing (wick)
200403C	18504	Bobbin Case Opener Lever Hinge Stud Set Screw
200387C	18504	Bobbin Case Opener Lever Hinge Stud Set Screw Check Screw
248251	18504	Bobbin Case Opener Lever Link
200118D	18504	" " " Screw
265105	18503	" " Tension Spring
200983F	18503	" " " " Regulating Screw
200597F	18503	" " " " Screw
265090	18503	Bobbin Case complete, Nos. 200597F, 200983F, 202056, 264648 to 264650, 265086, 265105 and 265115
225461	18521	Bobbin Winder Tension Bracket with 201499H 792D
228026	18521	" " " " " " Washer
2102	18521	Bobbin Winder Tension Disc
13710	18521	" " " Spring
201499H	18521	" " " Stud
201572H	18521	" " " " Thumb Nut
225462	18521	Bobbin Winder Tension Bracket complete, Nos. 13710, 201572H, 225461 and two 2102
265318	18524	Face Plate
202135	18524	" " Position Pin
200533B	18524	" " Thumb Screw
264633	18526	Feed Bar
264634	18526	" " Crank with 200363C and 200396C
200396C	18526	" " " Position Screw
200363C	18526	" " " Set Screw
350393C	18526	" " Hinge Screw (driving)
201518E	18526	" " " " Nut
265100	18527	" Dog, 30 elongated needle hole, for needle size 27, for use with thread larger than No. 12, for 264693

No.	Plate	Name
201491E	18527	Feed Dog Screw (2)
S99581	18523	" Driving Connection with 200049D and 202330
S98978	18523	Feed Driving Connection Hinge Screw
201517E	18523	" " " " " Nut
202277	18523	" " " " " Oil
		Packing (wick)
202330	18523	Feed Driving Connection Oil Packing (wick)
200049D	18523	" " " Pinch Screw
*237195	18521	" " Eccentric
*237749	18521	" " " Body
350107C	18521	" " " Position Screw
443C	18521	" " " Set Screw
1103C	18521	" " " Regulating Screw
217D	18521	" " " Set Screw
7071	18521	" " " " " Washer
237196	18521	Feed Driving Eccentric complete, Nos. 217D, 443C, 1103C, 7071, 237195, 237749 and 350107C
265009	18526	Feed Driving Rock Shaft
S98979	18526	" " " " Crank with 99201
S99201	18526	" " " " Pinch Screw
S98934	18526	" " " " Stop Collar with two 200386C
200386C	18526	Feed Driving Rock Shaft Stop Collar Set Screw
224154	18525	Feed Lifting Cam with 201220C
264637	18526	" " " Fork with 200173D and 223655
350495E	18526	Feed Lifting Cam Fork Screw
225837	18526	" " " " Washer
223655	18526	" " " Oiling Felt
200173D	18526	" " " " Screw
201220C	18525	" " " Set Screw
223652	18526	" Reversing Crank with 200019E
200019E	18526	" " " Pinch Screw
S98980	18526	" " " Screw Stud
201517D	18526	" " " " " Nut
S98981	18526	" " Lever with two 214D
S98983	18526	" " " 98981 with 2049 and 98982
S99122	18526	Feed Reversing Lever Bracket
232244	18526	" " " " Position Pin
		(2)
200019E	18526	Feed Reversing Lever Bracket Screw (2)
2049	18526	" " " Pin
S98982	18526	" " " Shaft
224335	18526	" " " " Collar with two 201052C
201052C	18526	Feed Reversing Lever Shaft Collar Set Screw
233542	18526	" " " Slide Block
1139C	18526	" " " " Hinge Screw
201723C	18526	Feed Reversing Lever Slide Block Hinge Screw Nut
S99587	18526	Feed Reversing Lever Slide Block Spring with two 208639

No.	Plate	Name
233546	18526	Feed Reversing Lever Slide Block Spring and Treadle Connecting Link
208639	18526	Feed Reversing Lever Slide Block Spring Holding Eyelet
S98987	18526	Feed Reversing Lever Slide Block Spring Screw
1517C	18526	Feed Reversing Lever Slide Block Spring Screw Nut
214D	18526	Feed Reversing Lever Slide Block Stop Screw
233536	18526	Feed Reversing Link
201171C	18526	" " " Hinge Screw
201517C	18526	" " " " " Nut
202277	18526	" " " " " Oil Packing (wick)
265011	18524	Foot Lifter Lifting Lever with 264518
265013	18524	" " " " Latch
227224	18524	" " " " " Collar with 201052C
201052C	18524	Foot Lifter Lifting Lever Latch Collar Set Screw
265014	18524	Foot Lifter Lifting Lever Latch Handle with two 201052C
201052C	18524	Foot Lifter Lifting Lever Latch Handle Set Screw
265015	18524	Foot Lifter Lifting Lever Latch Spring
227116	18524	" " " " " Adjusting Collar
265027	18524	Foot Lifter Lifting Lever Latch Spring Adjusting Collar 227116 with 201052C
201052C	18524	Foot Lifter Lifting Lever Latch Spring Adjusting Collar Set Screw
264518	18524	Foot Lifter Lifting Lever Pin
265078	18524	" " " " Spring
200268F	18524	" " " " " Screw
265067	16140	Hand Wheel
265068	16140	" " Disengaging Spring
265069	16140	" " " " Plunger
265215	18521	" " Driving Gear with two 350474C
350474C	18521	" " " " Set Screw
265070	16140	" " Engaging Collar
232719	16140	" " " " Pin
265071	16140	" " " " Plate
200577AL	16140	" " " " Screw
201054F	16140	" " Screw
265072	16140	Hand Wheel complete, Nos. 201054F, 232719, 265067, 265070, 265071, 265073 to 265075, 350419H, three each 265068, 265069 and four 200577AL
*265359	18503	Hook
265360	18503	" 265359 with 265095 to 265097, two 200583H and four 201253F
265361	18503	Hook and Bobbin Case complete, Nos. 265090 and 265360
224019	18504	Hook Bushing (lower) (bronze)
200364C	18504	" " " Set Screw

No.	Plate	Name
265094	18504	Hook Bushing (upper) (bronze)
200446C	18504	" " " Position Screw
265053	18525	" Driving Gear (spiral) with 201254C and 201421C
201254C	18525	Hook Driving Gear Position Screw
201421C	18525	" " " Set Screw
240167	18504	" " Pinion (spiral) with 200382C and 201220C
201220C	18504	Hook Driving Pinion Position Screw
200382C	18504	" " " Set Screw
224022	18504	" " " Thrust Washer
265020	18525	" " Shaft
224111	18525	" " " Bushing (back) with 202244
202244	18525	Hook Driving Shaft Bushing (back) Oil Packing (wick)
200029C	18525	Hook Driving Shaft Bushing (back) Set Screw
237529	18525	" " " " (front)
200363C	18525	" " " " " Set Screw
200383C	18525	" " " " " " " Check Screw
265043	18525	Hook Driving Shaft Lock Ratchet with 200354C and 200362C
200354C	18525	Hook Driving Shaft Lock Ratchet Position Screw
200362C	18525	Hook Driving Shaft Lock Ratchet Set Screw
265044	18525	" " " " Stud
248423	18525	" " " " " Cotter Pin
265045	18525	" " " " " Socket
248425	18525	" " " " " Spring
265046	18525	Hook Driving Shaft Lock Stud complete, Nos. 248423, 248425, 265044 and 265045
265095	18503	Hook Gib Section (long)
265096	18503	" " " (short)
201253F	18503	" " " Screw
265097	18503	" Needle Guard
200583H	18503	" " " Screw
223850	18504	" Saddle with 200009E
265098	18504	" " 223850 with 200364C, 200446C, 224019 and 265094
223681	18525	Hook Saddle Bearing
350451C	18525	" " " Set Screw
200009E	18504	" " Pinch Screw
200006E	18504	" " Screw
225585	18504	" " " Washer
265369	18504	Hook Saddle complete, Nos. 200118D, 200387C, 200403C, 224022, 240167, 248251, 265066, 265087, 265088, 265098 and 265361
264607	18521	Lifting Bell Crank
200996C	18521	" " " Cap Screw
264608	18521	" " " Link
350172C	18521	" " " " Screw Stud
201524E	18521	" " " " " " Nut
264609	18521	" Eccentric with 200382C and 200398C
264610	18521	" " Connection
240171	18521	" " " Crank with 200029E and 248821

No.	Plate	Name
248821	18521	Lifting Eccentric Connection Crank Oil Packing (wick)
200029E	18521	Lifting Eccentric Connection Crank Pinch Screw
200398C	18521	Lifting Eccentric Position Screw
200382C	18521	" " " Set Screw
264611	16131	" Presser Foot, for 264613
200074F	16131	" " " Screw
264615	18521	" Rock Shaft with 201524E and 350172C
240174	18521	" " " Bushing
265079	18528	Needle Bar with 200112F, 201334H and 265120
264617	18528	Needle Bar Connecting Link
264667	18528	" " " " Stud with 222598
222598	18528	" " " " " Oil Packing (wick)
200374C	18528	Needle Bar Connecting Link Stud Set Screw
200388C	18528	" " " " " " Screw
265054	18528	" " " Stud with 202330 and two 200086C
202330	18528	Needle Bar Connecting Stud Oil Packing (wick)
200086C	18528	Needle Bar Connecting Stud Pinch Screw
265111	18528	" " Crank with 200335C, 200374C, 200388C, 200425C and 264667
203172	18528	Needle Bar Crank Friction Washer
200425C	18528	" " " Position Screw
201007C	18528	" " " " " Check Screw
200335C	18528	Needle Bar Crank Set Screw
200383C	18528	" " " " " Check Screw
264620	18528	" " Rock Frame
210910	18528	" " " " Hinge Stud with 202277
202277	18528	Needle Bar Rock Frame Hinge Stud Oil Packing (wick)
200029C	18528	Needle Bar Rock Frame Hinge Stud Set Screw
202666	18528	Needle Bar Rock Frame Position Bracket
200098F	18528	" " " " " " Screw
265021	18521	Needle Bar Rock Frame Rock Shaft with 200387C and 210920
223692	18521	Needle Bar Rock Frame Rock Shaft Crank with 200029E
264638	18523	Needle Bar Rock Frame Rock Shaft Crank Connection with 202277
200833C	18523	Needle Bar Rock Frame Rock Shaft Crank Connection Hinge Screw
201522E	18523	Needle Bar Rock Frame Rock Shaft Crank Connection Hinge Screw Nut
202277	18523	Needle Bar Rock Frame Rock Shaft Crank Connection Oil Packing (wick)
200029E	18521	Needle Bar Rock Frame Rock Shaft Crank Pinch Screw
202668	18521	Needle Bar Rock Frame Slide Block

No.	Plate	Name
210920	18521	Needle Bar Rock Frame Slide Block 202668 with 201141C
201141C	18521	Needle Bar Rock Frame Slide Block Screw Stud
200387C	18521	Needle Bar Rock Frame Slide Block Screw Stud Set Screw
265120	18528	Needle Bar Thread Guide
201334H	18528	" " " Screw
200112F	18528	" Set Screw
264690	16131	Presser Bar with 200074F
241535	16131	" " Bushing (lower)
207072	16131	" " " (upper)
200352C	16131	" " " Set Screw (2)
264625	16131	" " Lifting Bracket with 200032E
200975F	16131	" " " " Guide Screw
200032E	16131	" " " " Pinch Screw
264626	16131	" " Position Guide
264627	16131	" " " " Lever with 200086F
200086F	16131	Presser Bar Position Guide Lever Pinch Screw
200352C	16131	Presser Bar Position Guide Set Screw
265060	18524	" " Spring (auxiliary)
240172	18524	" " " (flat)
210949	16131	" " " Bracket with 200086C
200086C	16131	" " " " Pinch Screw
350381C	18524	" " " Regulating Screw
200224H	18524	" " " Support Screw
225004	18524	" " " " " Washer
265032	18525	Safety Clutch Hook Driving Shaft Position Collar with two 201254C
201254C	18525	Safety Clutch Hook Driving Shaft Position Collar Set Screw
240519	18525	Safety Clutch Locking Lever
240520	18525	" " " " Connecting Link
240536	18525	" " " " Hinge Stud
200364C	18525	" " " " " " Set Screw
265102	18525	Safety Clutch Locking Lever Spring
240537	18525	" " " " " Hinge Stud
200364C	18525	Safety Clutch Locking Lever Spring Hinge Stud Set Screw
240538	18525	Safety Clutch Pulley with 202253 and two 200364C
202253	18525	Safety Clutch Pulley Spring Flange
265057	18525	" " " Throw-in Latch
240522	18525	" " " " Pin
265051	18525	" " " " Spring
240539	18525	Safety Clutch complete, Nos. 240519, 240520, 240522, 240536 to 240538, 265032, 265051, 265057 and 265102
195120	-----	Singer Light Fixture complete
200363AL	18524	" " " " Set Screw
265308	18528	Take-up Lever
264629	18528	" " Driving Stud with 202277

No.	Plate	Name
202277	18528	Take-up Lever Driving Stud Oil Packing (wick)
202400	18528	Take-up Lever Hinge Stud with 202423
202423	18528	" " " " Oil Packing (wick)
350452E	18528	" " " " Set Screw
264674	18529	Tension Bracket with 200061C, 238089 and 350392C
200159F	18529	Tension Bracket Screw (2)
2102	18529	" Disc
32572	18529	" Release Disc
264675	18529	" " Lever
238089	18529	" " " Guide Pin
264676	16131	" " " Rod
200309E	18529	" " " Screw
264695	18529	" " Plunger
223438	18529	" Spring
350392C	18529	" Stud
1560C	18529	" Thumb Nut
264677	18529	Tension Bracket complete, Nos. 1560C, 32572, 200132E, 200309E, 201535E, 223438, 264674, 264675, 264678, 264681 to 264684, 264695, 265077, 265331, 265334, two 2102 and four 200583H
264678	18529	Thread Controller Disc
265331	18529	" " Spring
		Note: Thread Controller Spring 265331 is regularly furnished with this machine.
265076	-----	Thread Controller Spring (light)
265077	18529	" " " Stop
200132E	18529	" " " " Screw
264681	18529	" " " Stud with 201052C
200061C	18529	" " " " Set Screw
264682	18529	" " Stud
201052C	18529	" " " Set Screw
264683	18529	" " Thread Guide
201535E	18529	" " " " Nut
202412	18529	" Guide
265334	18529	" " (lower)
265336	18529	" " (lower)
264684	18529	" " (upper)
200126F	18529	" " Screw (2)
200583H	18529	" " Screw
236955	16140	" Lubricating Cup with 200059C and 201280C
236957	16140	Thread Lubricating Cup Oil Pad (felt)
236959	16140	" " " " " (upper) Reinforcing Plate
201280C	16140	Thread Lubricating Cup Oil Pad (upper) Tension Screw Stud
222712	16140	Thread Lubricating Cup Oil Pad (upper) Tension Spring
201572H	16140	Thread Lubricating Cup Oil Pad (upper) Tension Spring Thumb Nut
236961	16140	Thread Lubricating Cup Oil Pad (upper) complete, Nos. 236957 and 236959
200059C	16140	Thread Lubricating Cup Set Screw



No.	Plate	Name
236962	16140	Thread Lubricating Cup Thread Guide
236963	16140	Thread Lubricating Cup complete, Nos. 201572H, 222712, 236955, 236961, 236962 and three 236957
264693	18527	Throat Plate, for 265100
742F	18527	" " Screw (2)
264630	18528	Vibrating Presser Bar
264631	18521	" " " Connecting Link
202277	18528	" " " Oil Packing (wick)
264613	18528	" " Foot, 23 needle hole, with 200086F, for 264611, for use with thread larger than No. 12
200086F	18528	Vibrating Presser Foot Pinch Screw

**SINGER** Needles should be used  
in **SINGER** Machines  
These Needles and their Containers  
are marked with the  
Company's Trade Mark "**SIMANCO.\*\***"<sub>1</sub>

Needles in Containers marked  
"**FOR SINGER MACHINES**"  
are **NOT SINGER** made needles. <sub>2</sub>

## ACCESSORIES

No.	Plate	Name
264645	18503	Bobbin (5)
228476	18520	Screw Driver (Bobbin Case)
7 x 3	----	Needles, six, size 27
225256	----	Belt, size 5/16 in. diam., length 51-1/2 in., with 25029
25029	----	Belt Hook
S108690	18531	Drip Pan with eight 3/4 in. plain barbed roofing nails
41400	18520	Machine Rest Pin (wood)
120342	18520	Oiler (copper plated) with 120343
120343	18520	" Spout (3-1/2 in. long)
225498	18520	Screw Driver (7-1/4 in. long)
225554	18520	Wrench (steel)

## BOBBIN WINDER

(SWINGING AUTOMATIC, RIGHT HAND)

41894	18522	Base with 449AL
894D	18522	" Screw
S106767	18522	Bracket
350030E	18522	" Screw
260628	18522	" " Washer
41896	18522	Frame
41441	18522	" Hinge Pin
449AL	18522	" " " Set Screw
4784	18522	" Oil Pad
41897	18522	" Spring
43270	18522	Friction Pulley with 43271, two 448AL and ten 5604
43271	18522	Friction Pulley Ring (leather)
5604	18522	" " " Rivet (brass)
448AL	18522	" " " Set Screw
265023	18522	Spindle
265024	18522	Stop Latch
265025	18522	" " Hinge Pin
2269	18522	" " Pin
41899	18522	Tripping Arm with 176E
176E	18522	" " Clamping Screw
265026	18522	Bobbin Winder complete, Nos. 2269, 41441, 41894, 41896, 41897, 41899, 43270, 265023 to 265025 and two 4784
S121859	18522	Bobbin Winder and Bracket complete, Nos. 106767, 260628, 265026, 350030E and three 894D

## MOBILE FIELD UNIT

No.	Plate	Name
S108689	18530	Cabinet Base
S106913	18530	" Cover
S106914	18530	" Panel (front)
S108825	-----	Electric Transmitter Lead Hook with two wood screws 3/4 in., No. 12, R. H.
S108688	18530	Cabinet for Portable Sewing Machine Outfit for Mobile Field Unit complete, Nos. 106913, 106914, 108689 and 108825
<b>SPARE PARTS KIT</b>		
264602	18523	Arm Shaft Connection Belt
265109	18523	" " " " Pulley with 200327C, 200342C and two 202253
200363C	18523	Arm Shaft Connection Belt Pulley Position Screw Check Screw
350419H	18521	Balance Wheel Adjusting Screw
225256	-----	Belt, size 5/16 in. diam., length 51-1/2 in., with 25029
25029	-----	Belt Hook (6)
259504	18520	" Punch
265058	18520	" Replacer
264645	18503	Bobbin
265066	18504	" Case Opener
200118D	18504	" " " Screw (2)
265105	18503	" " Tension Spring (2)
200983F	18503	" " " " Regulating Screw (3)
200597F	18503	Bobbin Case Tension Spring Screw (6)
265100	18527	Feed Dog, 30 elongated needle hole, for needle size 27, for use with thread larger than No. 12, for 264693
201491E	18527	Feed Dog Screw (6)
237196	18521	Feed Driving Eccentric complete, Nos. 217D, 443C, 1103C, 7071, 237195, 237749 and 350107C
S98980	18526	Feed Reversing Crank Screw Stud
201517D	18526	" " " " " Nut
265361	18503	Hook and Bobbin Case complete, Nos. 265090 and 265360
201254C	18525	Hook Driving Gear Position Screw (2)
201421C	18525	" " " " Set Screw (2)
200029C	18525	" " Shaft Bushing (back) Set Screw
201253F	18503	" Gib Section Screw (6)
265097	18503	" Needle Guard
200583H	18503	" " " " Screw (8)
S108013	-----	Kit Box (metal) inside measurements 5-7/8 in. wide, 13-3/4 in. long, 5-1/8 in. deep, with tray for small parts, used with Mobile Unit

No.	Plate	Name
350172C	18521	Lifting Bell Crank Link Screw Stud
201524E	18521	" " " " " " Nut
264611	16131	" Presser Foot, for 264613
200074F	16131	" " " " Screw (6)
201007C	18528	Needle Bar Crank Position Screw Check Screw
200029C	18528	Needle Bar Rock Frame Hinge Stud Set Screw (2)
265120	18528	Needle Bar Thread Guide
200112F	18528	" Set Screw (6)
7 x 3	-----	Needles, one hundred, size 27
264690	16131	Presser Bar with 200074F
240172	18524	" " Spring (flat)
240539	18525	Safety Clutch complete, Nos. 240519, 240520, 240522, 240536 to 240538, 265032, 265051, 265057 and 265102
265051	18525	Safety Clutch Throw-in Latch Spring (2)
225498	18520	Screw Driver (7-1/4 in. long)
228476	18520	" " (Bobbin Case)
11831	18520	" " (large)
255542	18520	" " (long)
265308	18528	Take-up Lever
264629	18528	" " Driving Stud with 202277
350452E	18528	" " Hinge Stud Set Screw (2)
223438	18529	Tension Spring (2)
1560C	18529	" Thumb Nut (2)
265331	18529	Thread Controller Spring (2)
264693	18527	Throat Plate, for 265100
742F	18527	" " Screw (6)
264613	18528	Vibrating Presser Foot, 23 needle hole, with 200086F, for 264611, for use with thread larger than No. 12
200086F	18528	Vibrating Presser Foot Pinch Screw (2)
225554	18520	Wrench (steel)
<b>THREAD UNWINDER</b>		
<b>FOR TWO SPOOLS</b>		
228692	17900	Spool Pin
201528H	17900	" " Nut
228693	17900	" " Washer
225257	17900	" Rest (for two spools) (flat) with 201018C, two each 201528H, 228692 and 228693
150203	17900	Spool Rest Cushion (felt)
225388	17900	" " Rod
200383C	17900	" " " " Set Screw
201018C	17900	" " " " Set Screw
259658	17900	" Stand with 200383C
225391	17900	Thread Guide
201696H	17900	" " Lock Nut
225326	17900	" " Position Cup
225324	17900	" " Rod with 208AL and 225322
208AL	17900	" " " " Screw

## ACCESSORIES

No.	Plate	Name
225322	17900	Thread Guide Rod Washer
225258	17900	Thread Unwinder (for two spools) complete, Nos. 201696H, 225257, 225324, 225326, 225388, 259658, two each 150203, 225391 and three wood screws 7/8 in., No. 12

## TREADLES COMPLETE

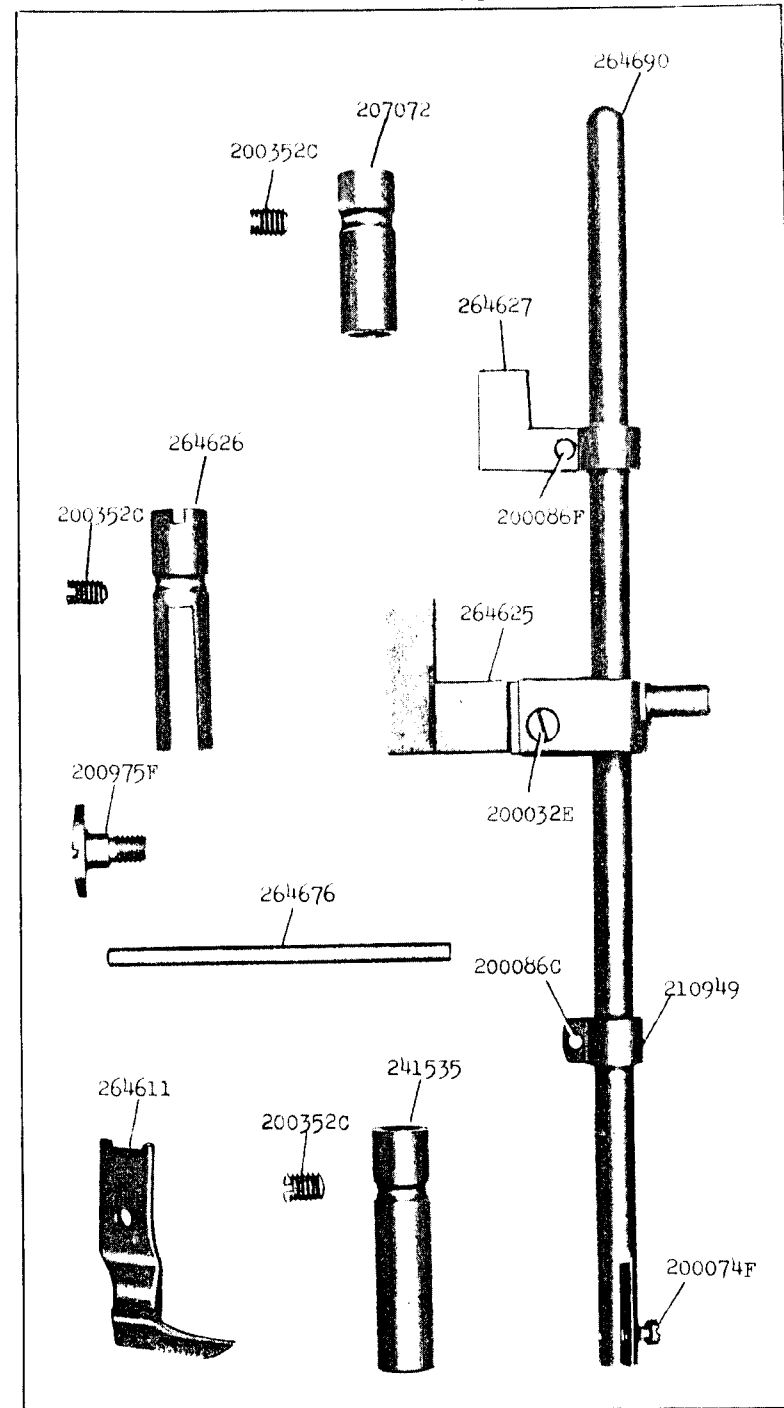
233565	18531	Feed Reversing Lever with two 356C
S110320	18531	" " " Chain, 24 in. long, with two 202784
202784	18531	Feed Reversing Lever Chain Hook
356C	18531	" " " Set Screw
265081	18531	" " " Shaft
S106689	18531	" " Treadle with two 356C
356C	18531	" " " Set Screw
264539	18531	" " " Stand with two wood screws 1 in., No. 12
S110321	18531	Feed Reversing Treadle complete, Nos. 106689, 110320, 233565, 265081 and two 264539
265080	18531	Foot Lifter Lever
S110322	18531	" " " Chain, 36 in. long, with two 202784
202784	18531	Foot Lifter Lever Chain Hook
264530	18531	" " Treadle with two 356C
356C	18531	" " " Set Screw
264531	18531	Starting Treadle with two 356C
356C	18531	" " " Set Screw
265081	18531	" " " Shaft
265082	18531	" " " Lever with two 356C
356C	18531	" " " Set Screw
264539	18531	" " " Stand with two wood screws 1 in., No. 12
265106	18531	Starting Treadle Support with two wood screws 1 in., No. 12
S110323	18531	Foot Lifter and Starting Treadle complete, Nos. 110322, 264530, 264531, 265080 to 265082, 265106 and two 264539
S110325	18531	Treadles complete, Nos. 110321 and 110323

## MISCELLEANOUS PARTS

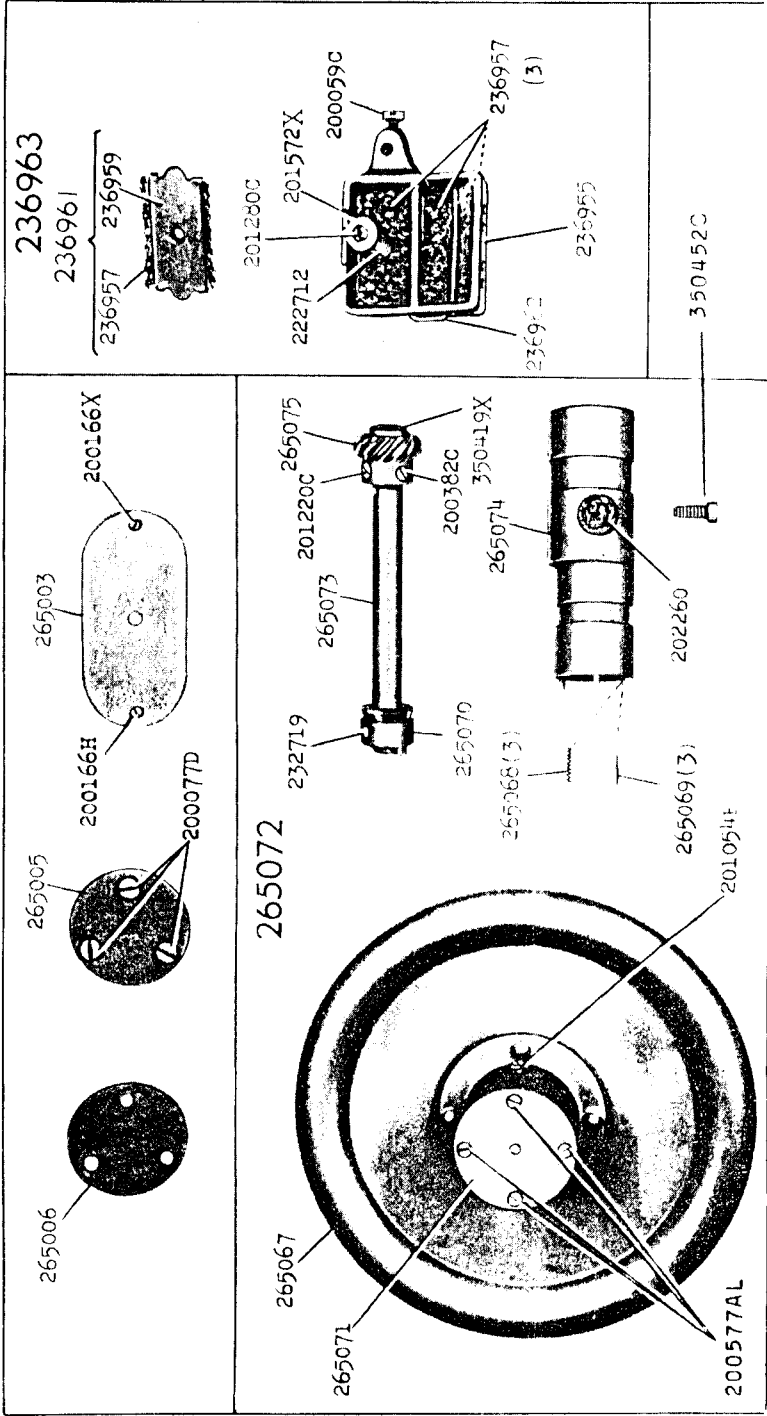
USED IN CONJUNCTION WITH  
THREAD UNWINDER

60913	17900	Spool Weight with 60914
60914	17900	" " Center Pin
225377	17900	" Wire, for small spools
27739	17900	Thread Cone (wood)
225390	17900	" " Holder

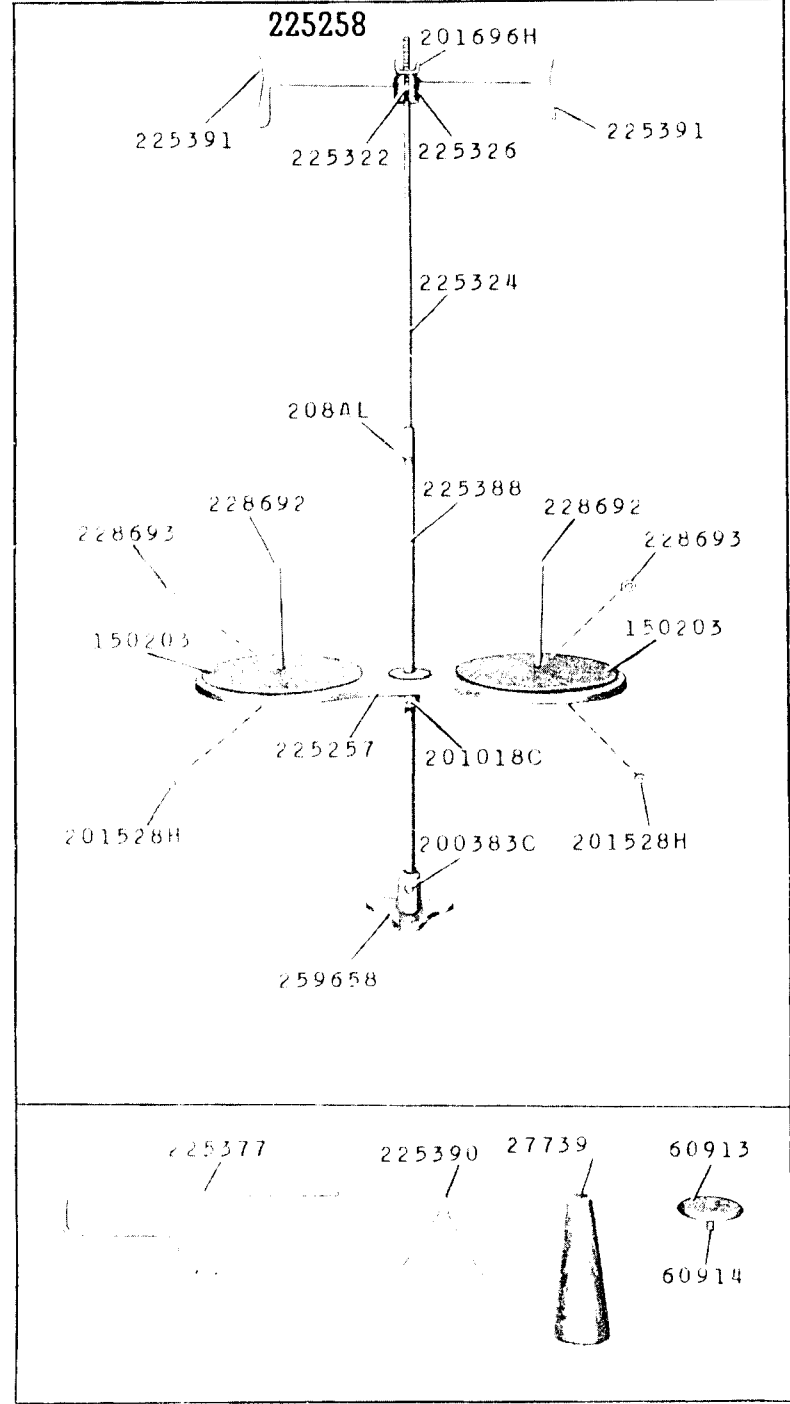
16131 - 5/8



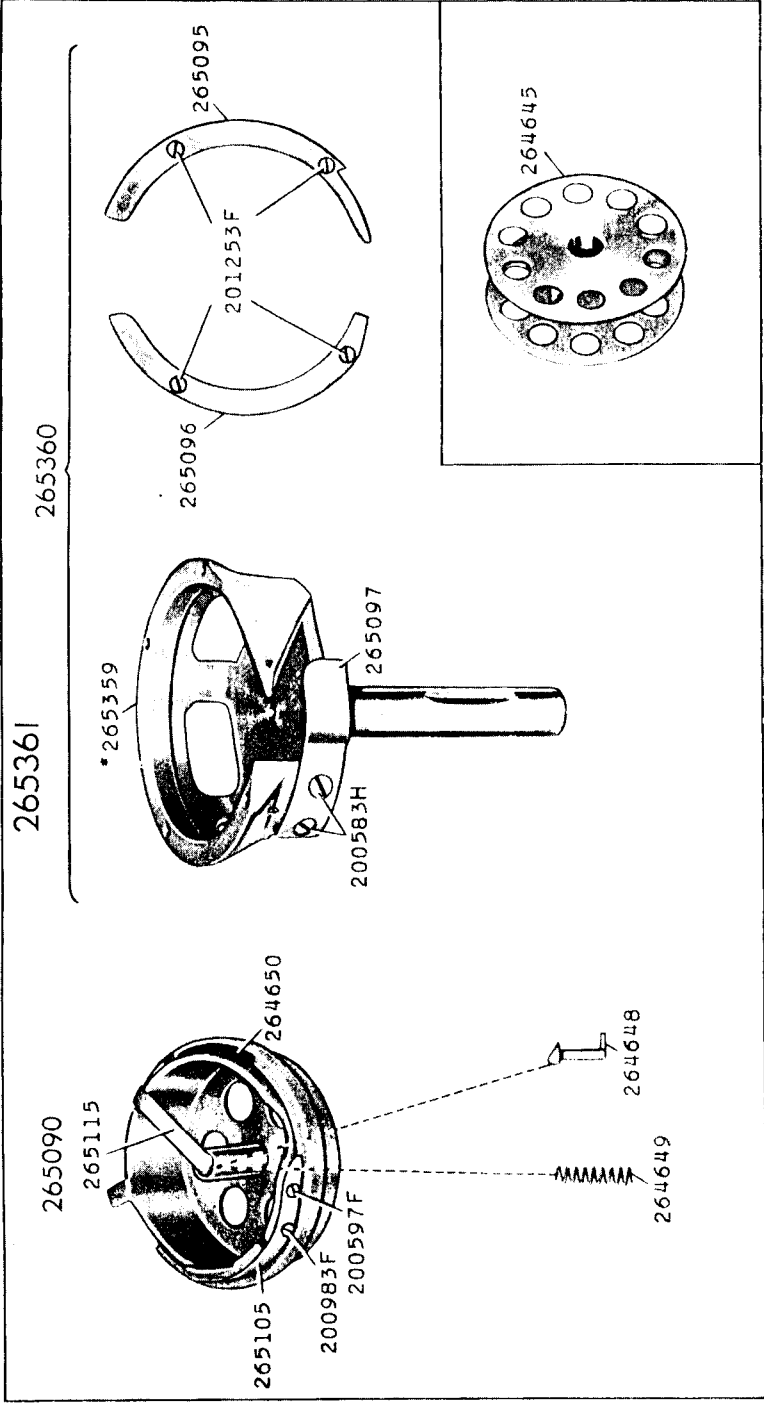
16140 - 1/3



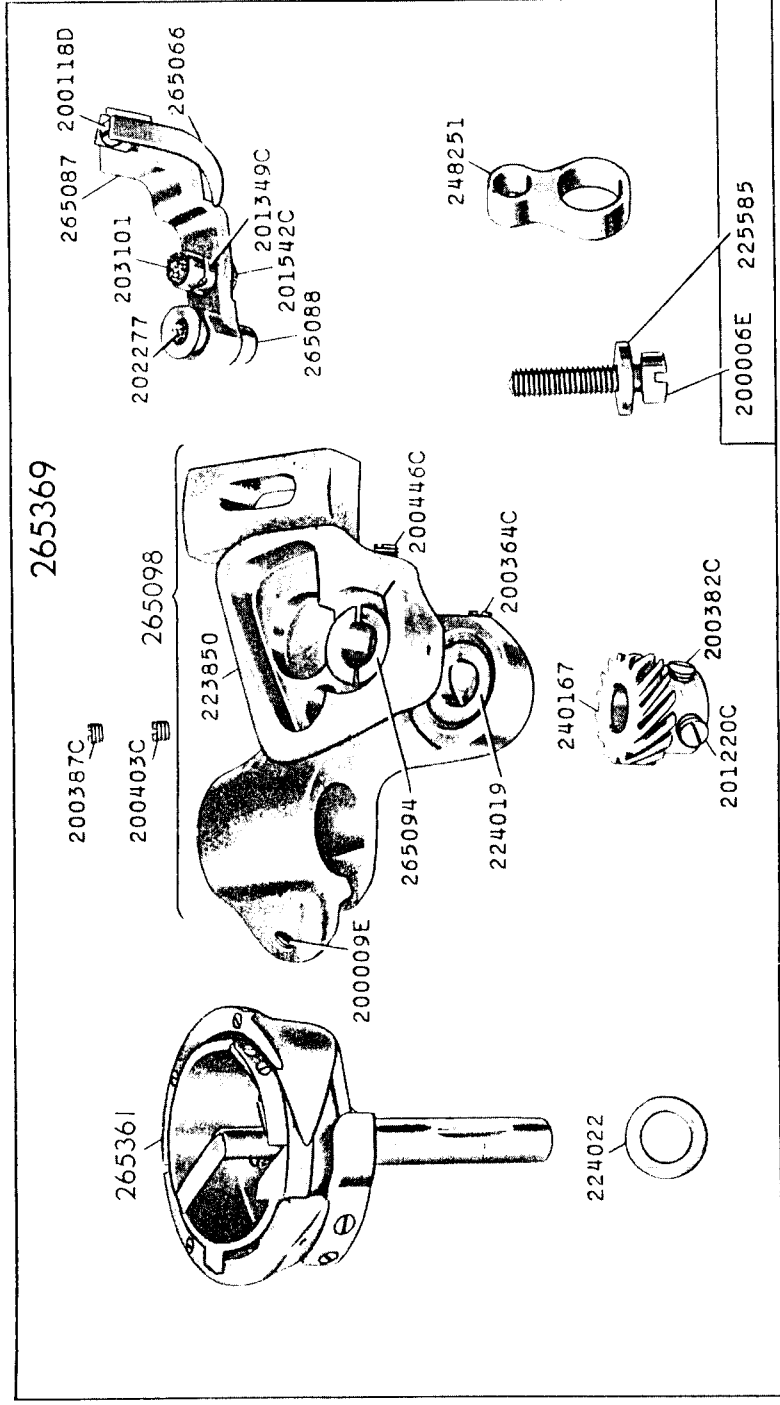
17900 - 1/6



18503 - 3/4

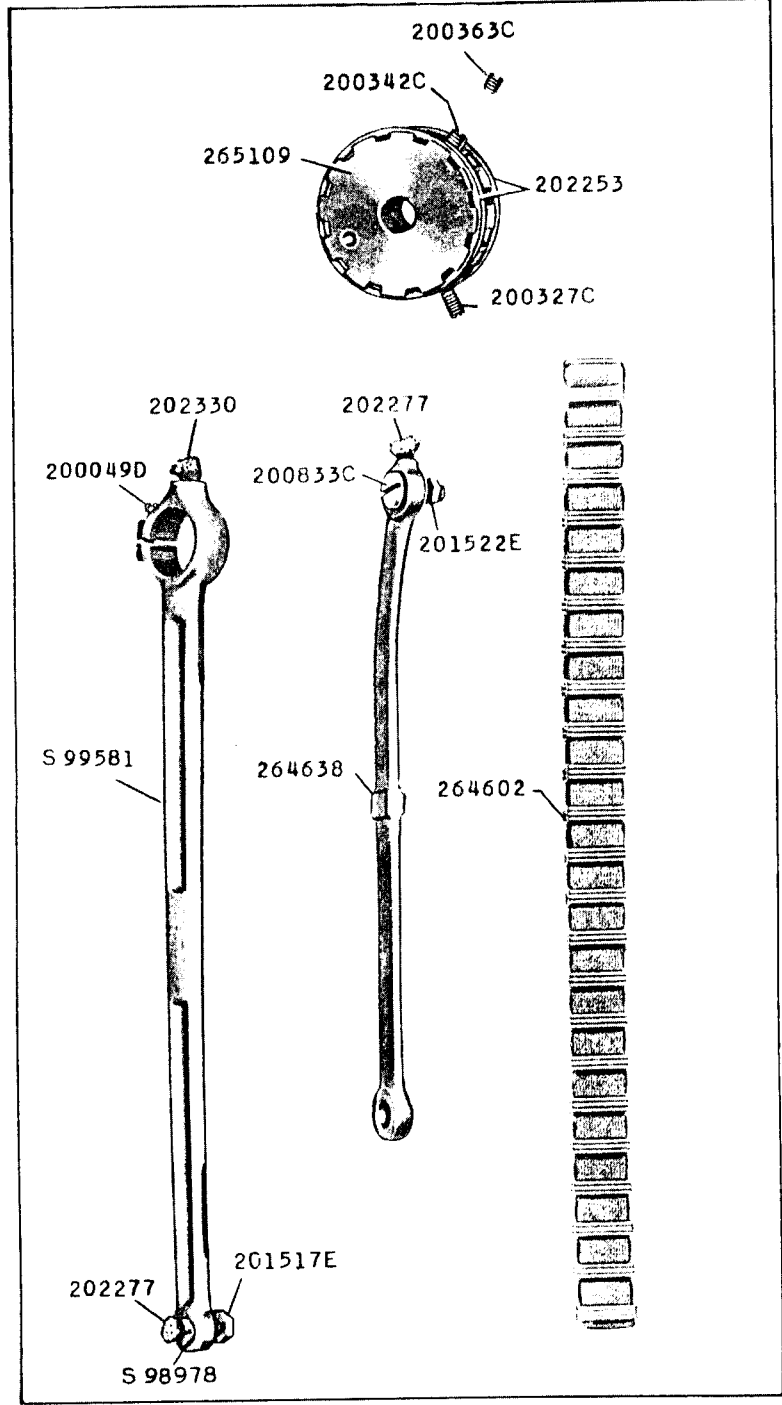
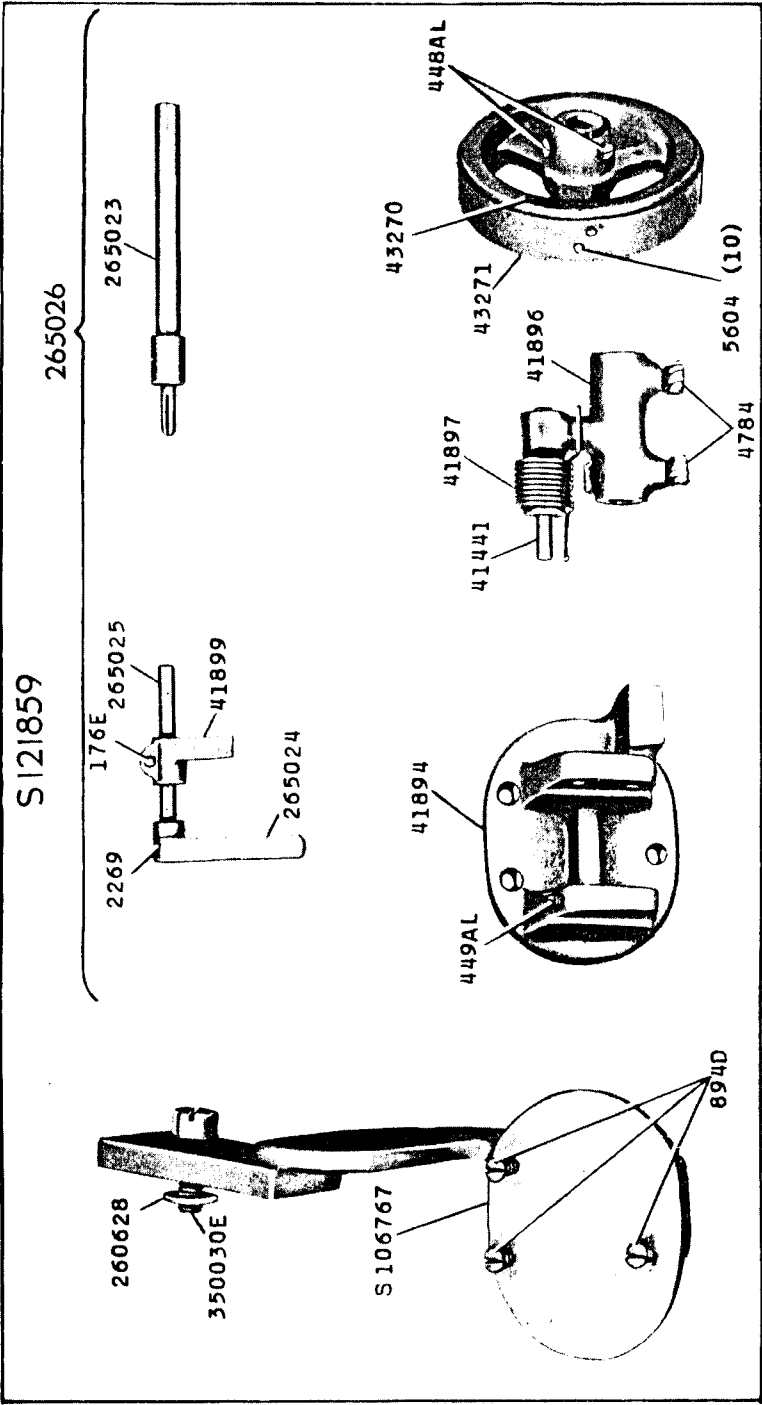


18504 5/8

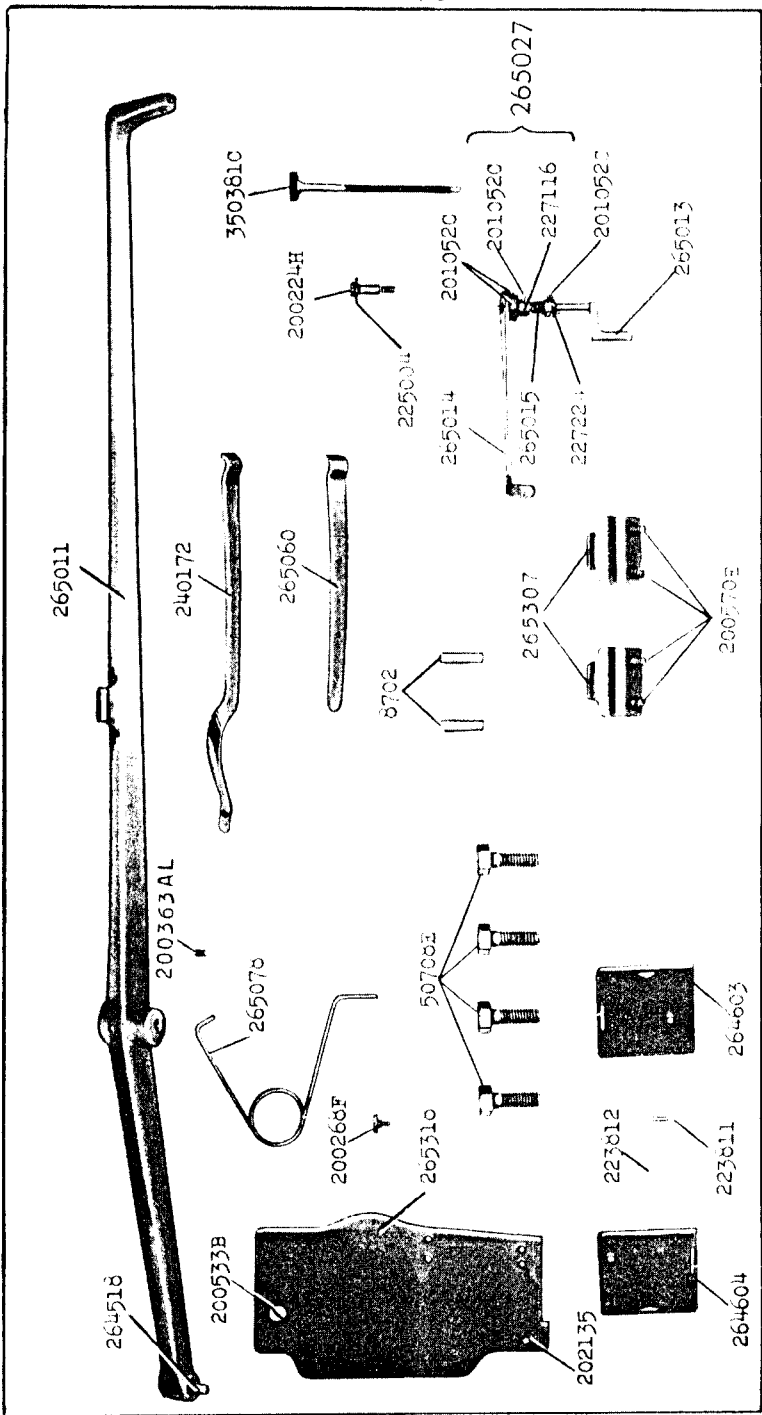


18522-3/8

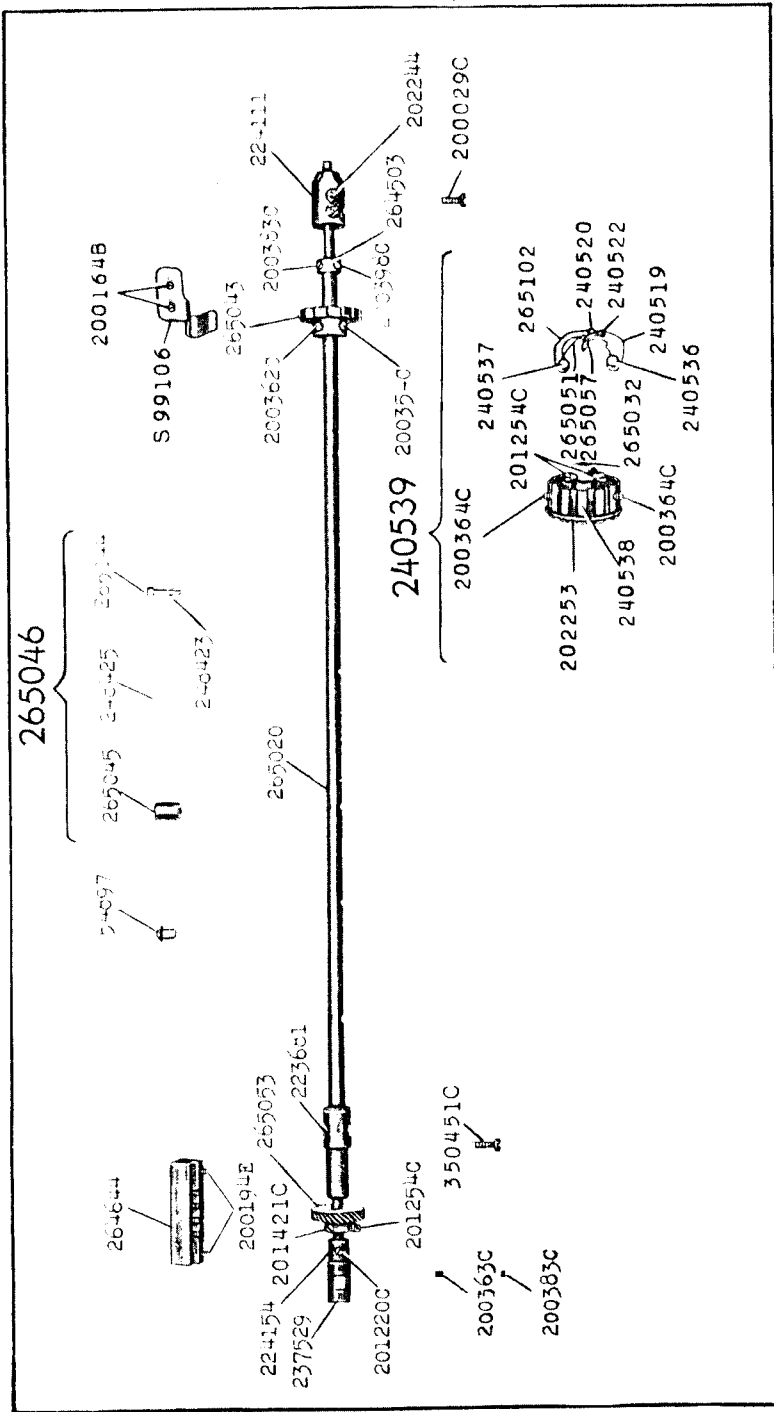
18523-3/8



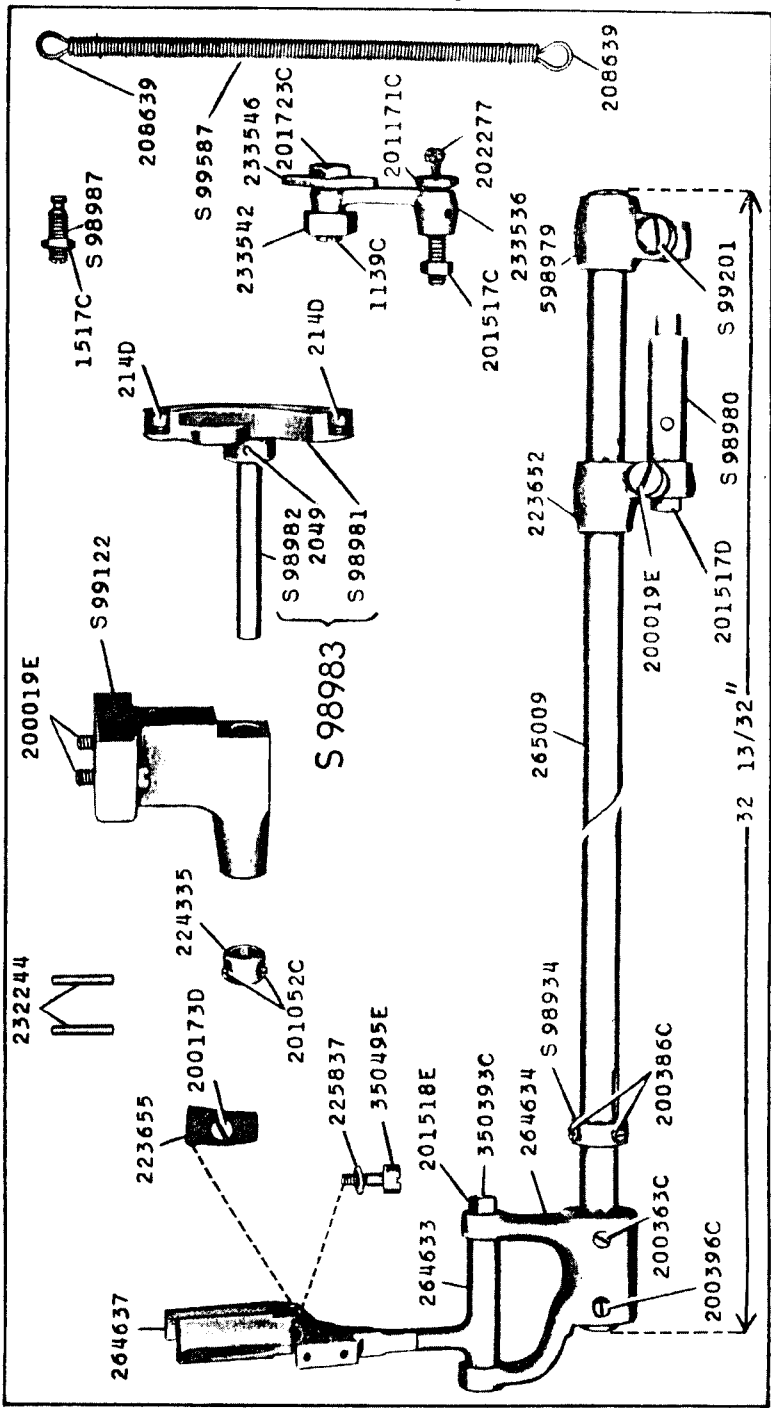
18524-1/5



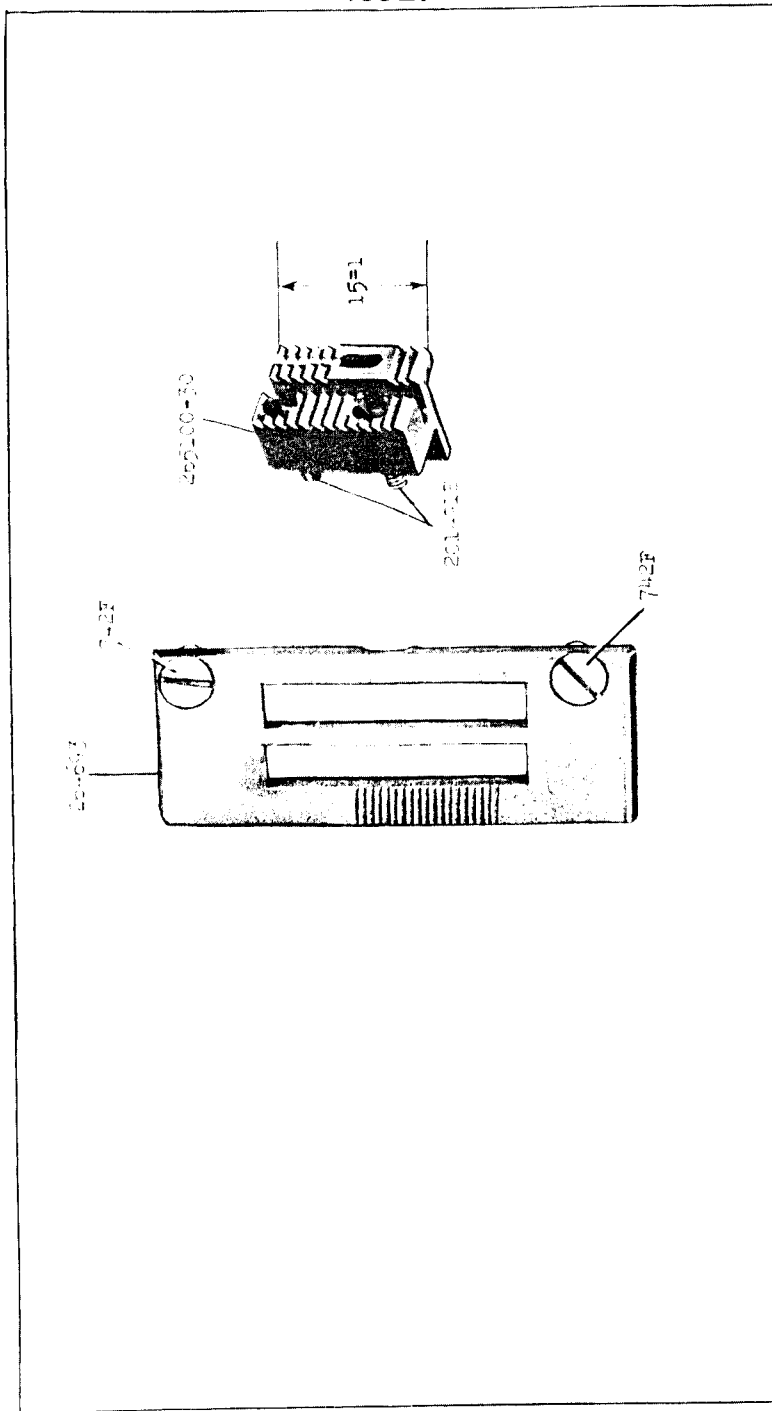
18525-1/6



18526-3/8

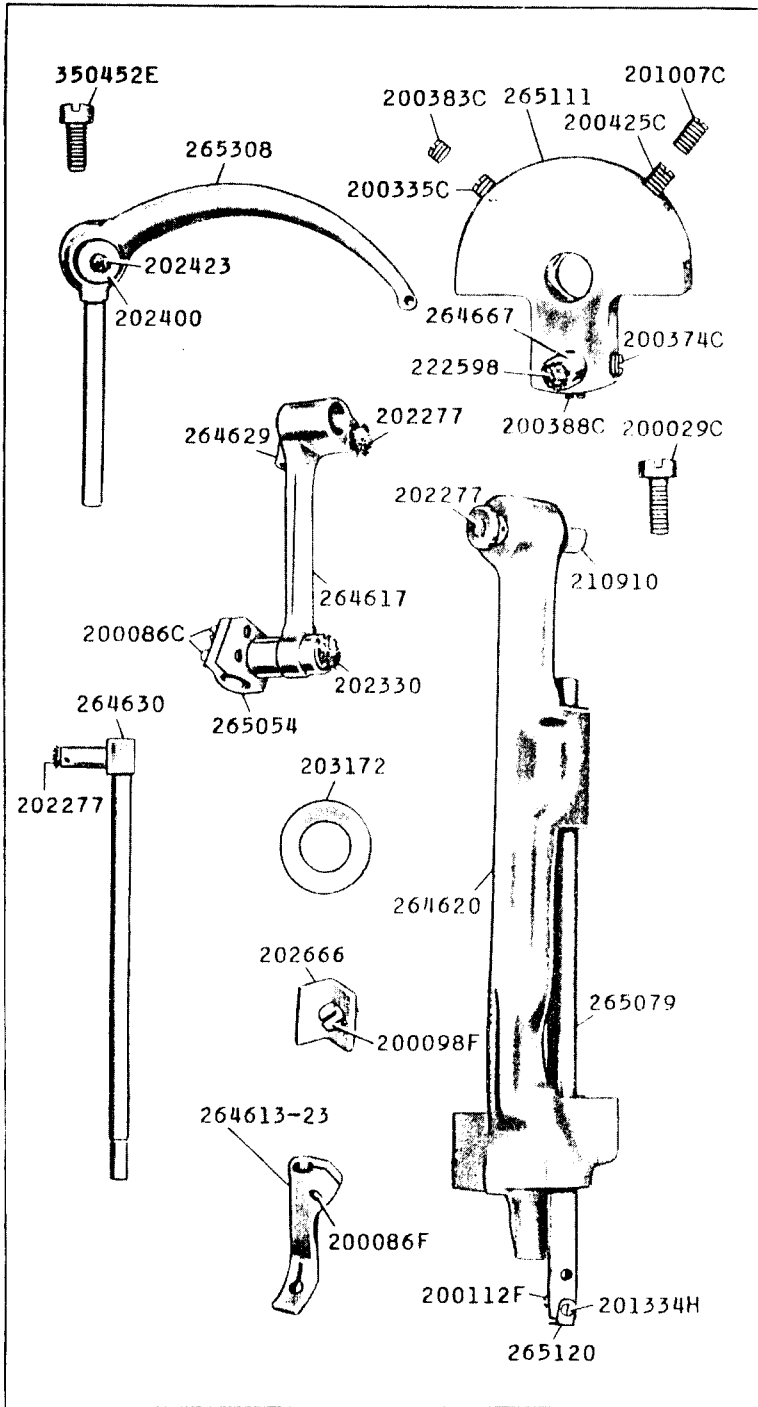


18527

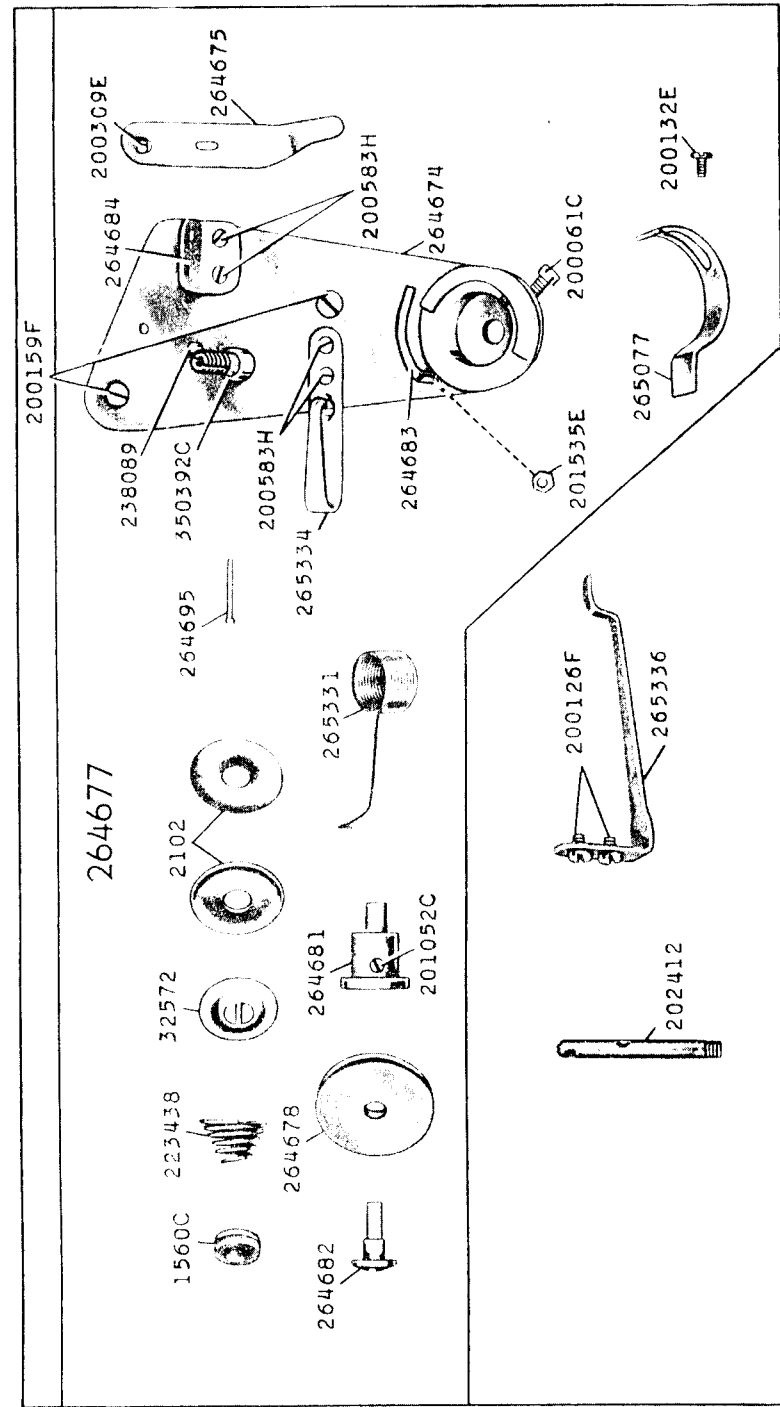




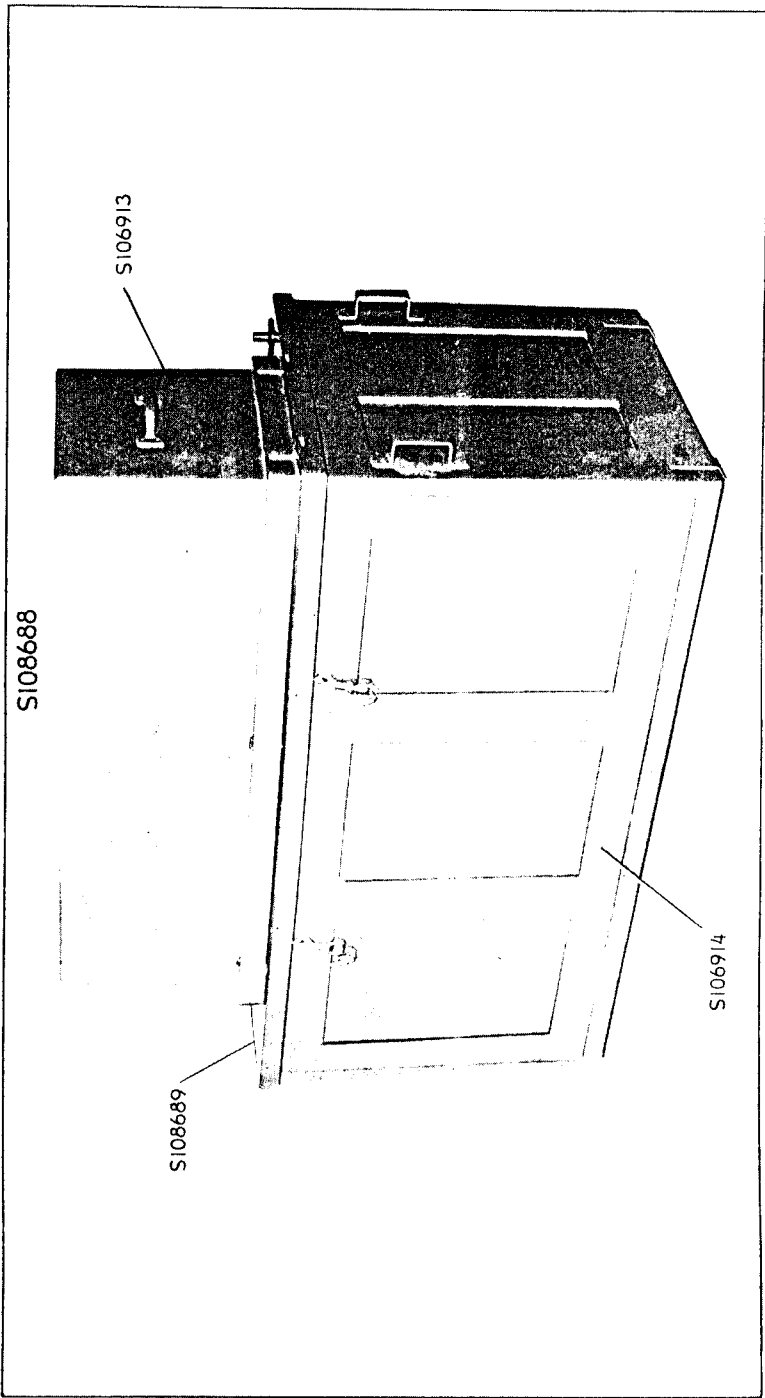
18528-1/2



18529-1/2



18530 - 1/20



18531-1/8

