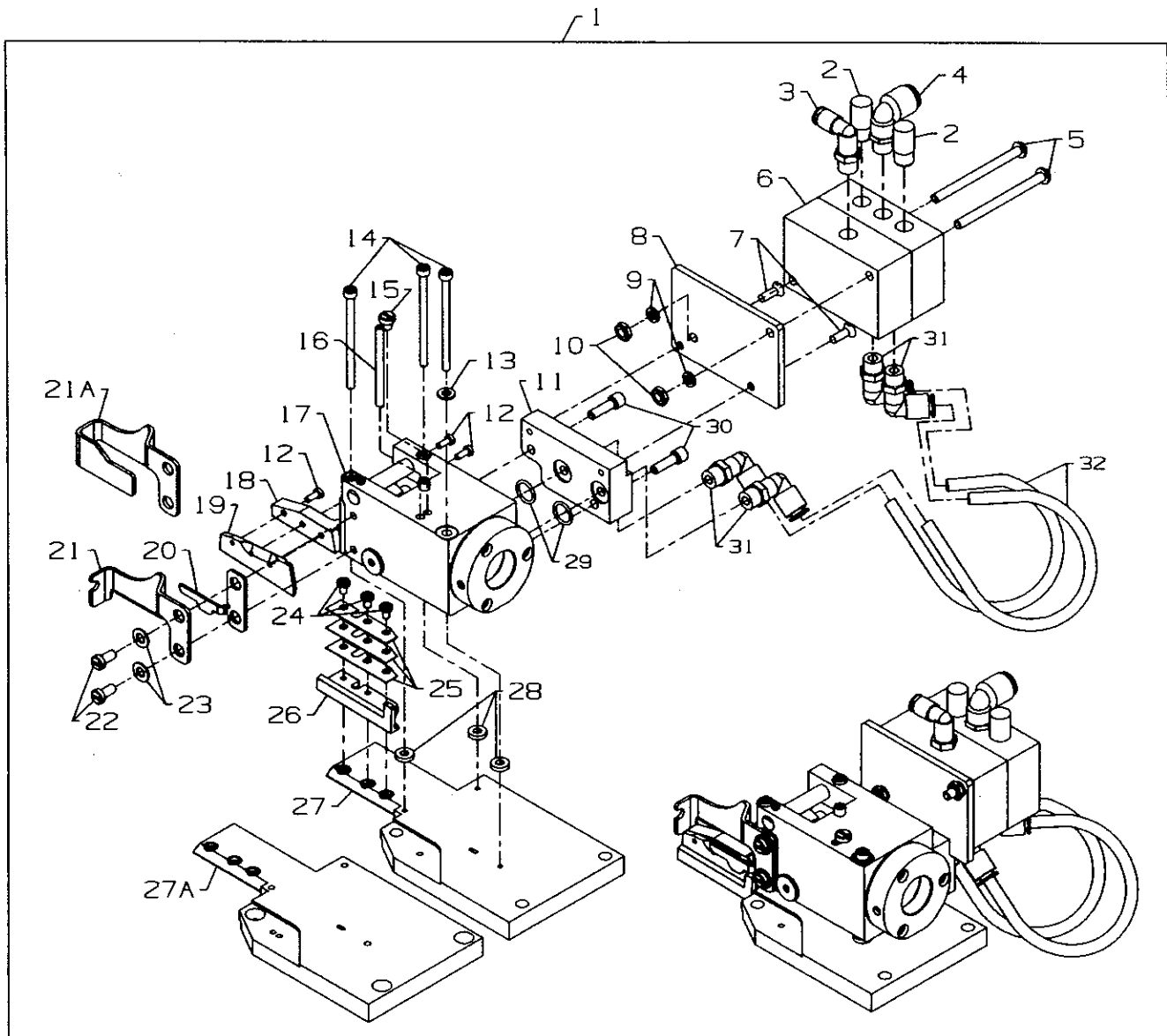
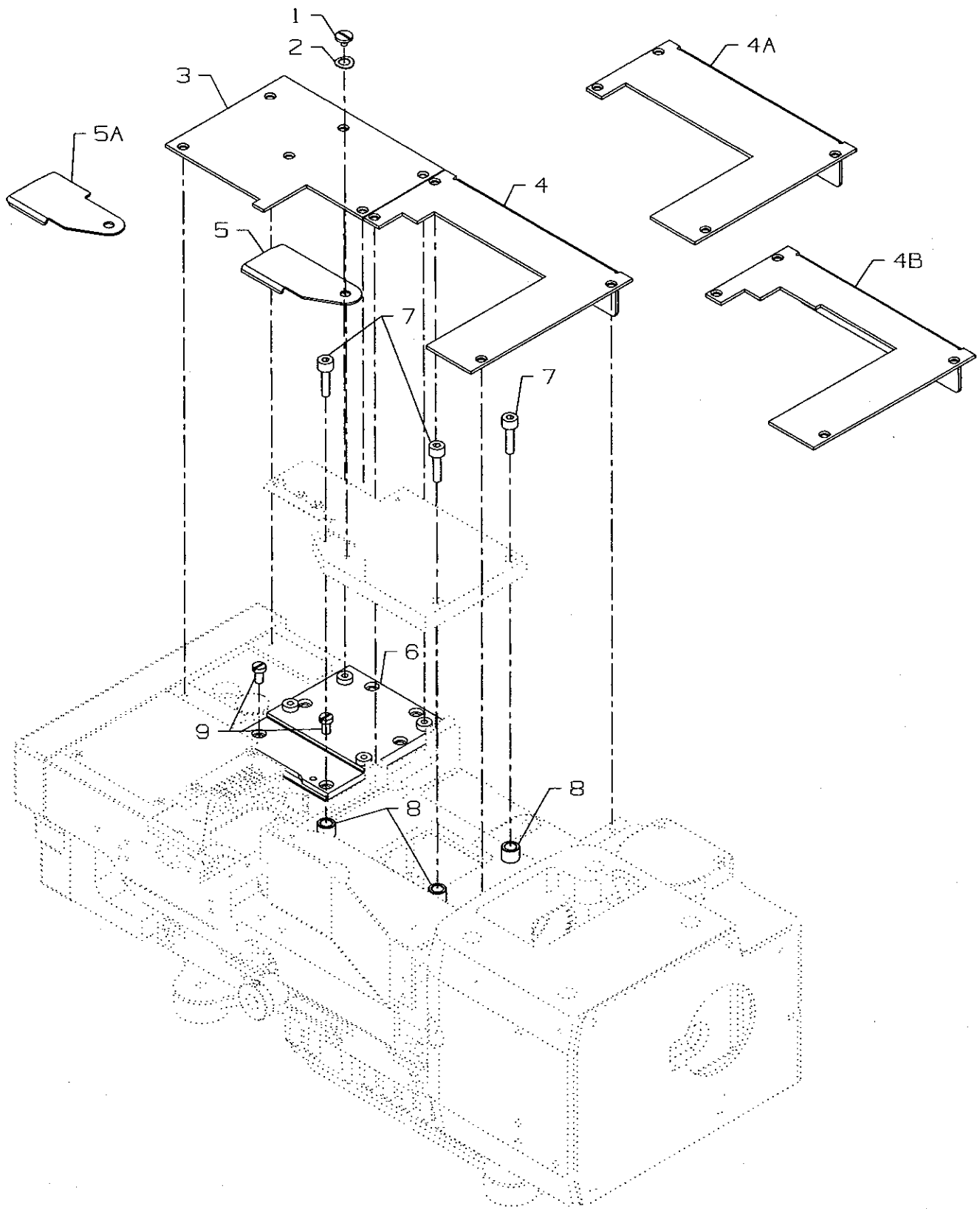


TC4 & TC4B Pneumatic Fast Action Tape Cutter is activated by using the Pneumatic Knee Switch.



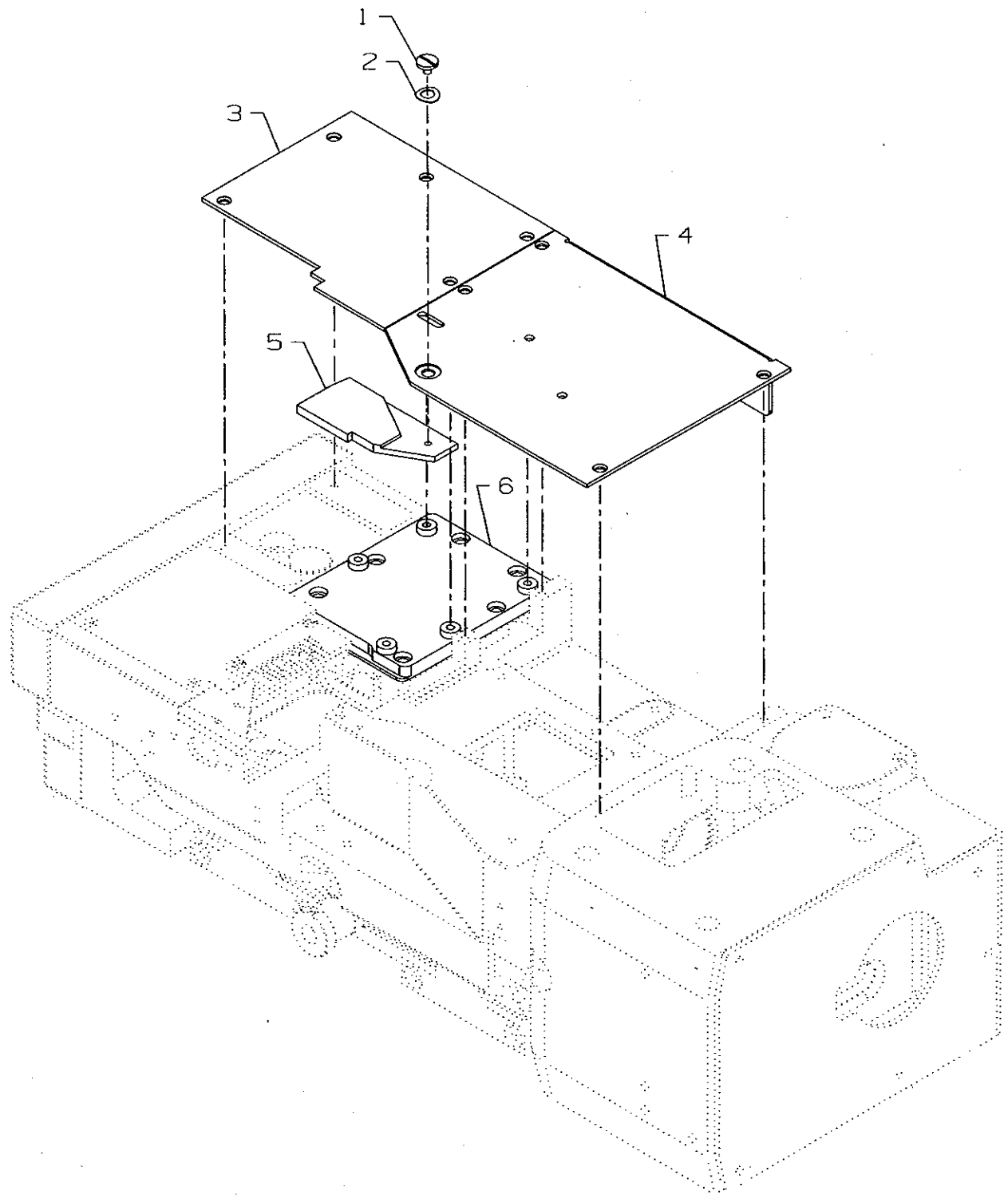
TC4 PNEUMATIC FAST ACTION TAPE CUTTER

| Ref. No. | Part No. | Description | Amt. Req. |
|-------------|-----------|---|--------------|
| 1. | 29933CB | Pneumatic Fast Action Tape Cutter Ass., for styles C01, E12, UC01, UE12 | 1 |
| - | 29486AR | Pneumatic Fast Action Tape Cutter Ass., for styles UC02 | 1 |
| 2. | 660-403 | Muffler | 2 |
| 3. | 671F82C | Male "L" | 1 |
| 4. | 671F79 | Elbow Fitting | 1 |
| 5. | 22635F144 | Round Head | 2 |
| 6. | 671-86 | Binary Counter Valve | 1 |
| 7. | 22637N32 | Ft. Hd. Screw | 2 |
| 8. | 56382AR | Bracket | 1 |
| 9. | RM3993-3 | Washer | 2 |
| 10. | 660-602 | #10-24 Hex Nut | 2 |
| 11. | 56382AS | Manifold | 1 |
| 12. | 99343D | Screw | 3 |
| 13. | 8372A | Washer | 1 |
| 14. | 95409A | Screw | 3 |
| 15. | 95169 | Screw | 1 |
| 16. | 99702E | Eccentric Bolt | 1 |
| 17. | 29933C | Tape Clipper | 1 |
| 18. | 99701CA | Knife Lever | 1 |
| 19. | 99670MC | Upper Knife | 1 |
| 20. | 99682NC | Finger Guard, for 29933CB | 1 |
| 21. | 99682ND | Finger Guard, for 29933CB | 1 |
| 21A. | 50396N | Finger Guard, for 29486AR | 1 |
| 22. | 95157 | Screw | 2 |
| 23. | 20 | Washer | 2 |
| 24. | 22513D | Screw | 3 |
| 25. | 99702DA | Shim | 2 |
| 26. | 99669MC | Lower Knife | 1 |
| 27. | 50373CK | Base Plate, for 29933CB | 1 |
| 27A. | 50383BH | Base Plate, for 29486AR | 1 |
| 28. | 99702GA | Spacer | 3 |
| 29. | 999-93 | Round Belt - "O" Ring | 2 |
| 30. | 95403A | Screw | 2 |
| 31. | 671F81C | Elbow | 4 |
| 32. | 671B37DA | Nylon Tubing | 2 |



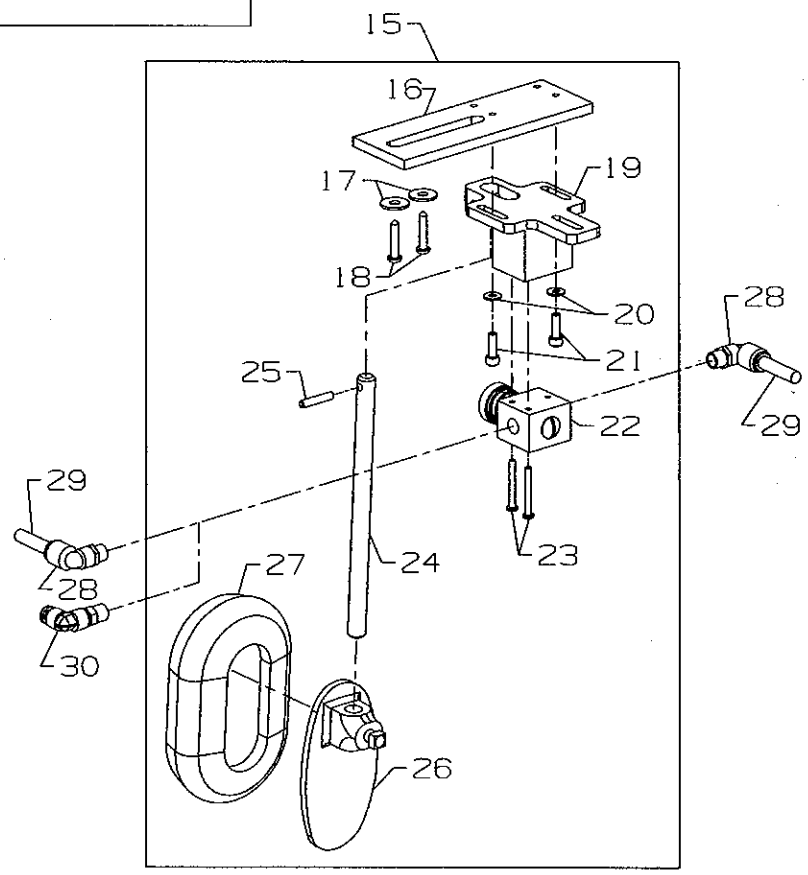
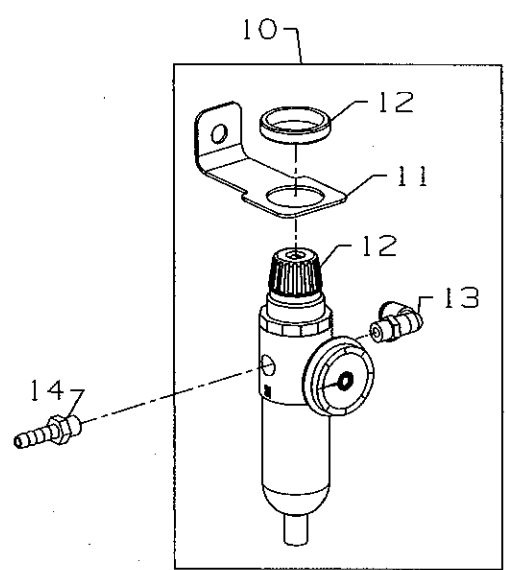
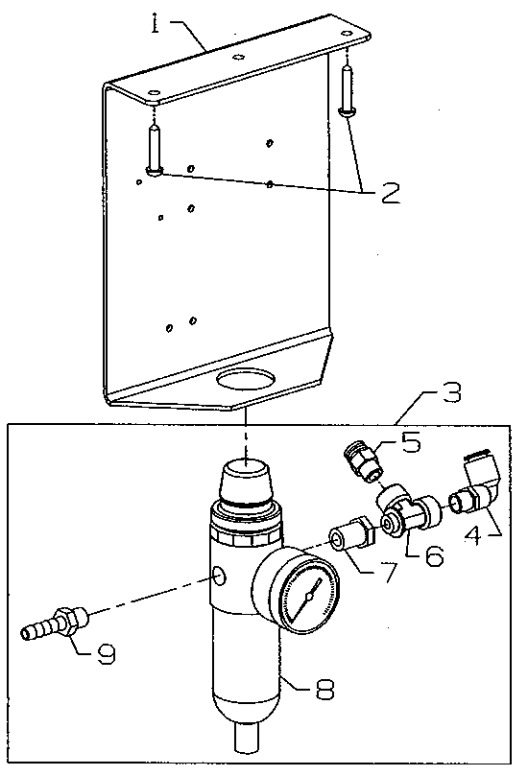
TC1, TC2, TC3,TC4 MISCELLANEOUS COVERS, FLUSH MOUNT

| Ref. No. | Part No. | Description | Amt. Req. |
|----------|-------------|--|-----------|
| 1. | 22726 | Screw, for swing plate | 1 |
| 2. | 95978 | Washer, for swing plate | 1 |
| 3. | 50301BC | Cloth Plate, left | 1 |
| 4. | 50301CL | Cloth Plate, right, for 29486AF, 29486AG, 29486AD Tape Cutters | 1 |
| 4A. | 50301BD | Cloth Plate, right, for 29933CB, 29486AR Tape Cutters | 1 |
| 4B. | 50301DB | Cloth Plate, right, for 29486AK, 29486AP Tape Cutters | 1 |
| 5. | 50332N | Swing Plate, for 29486AF, 29486AG, 29486AD, 29933CB Tape Cutters | 1 |
| 5A. | 50362P | Swing Plate, for 29486AK, 29486AP, 29486AR Tape Cutters | 1 |
| 6. | 50382GP | Cover, feed chamber..... | 1 |
| 7. | 99371B | Screw | 3 |
| 8. | 50374H | Spacer | 3 |
| 9. | SS6120940SP | Screw | 2 |



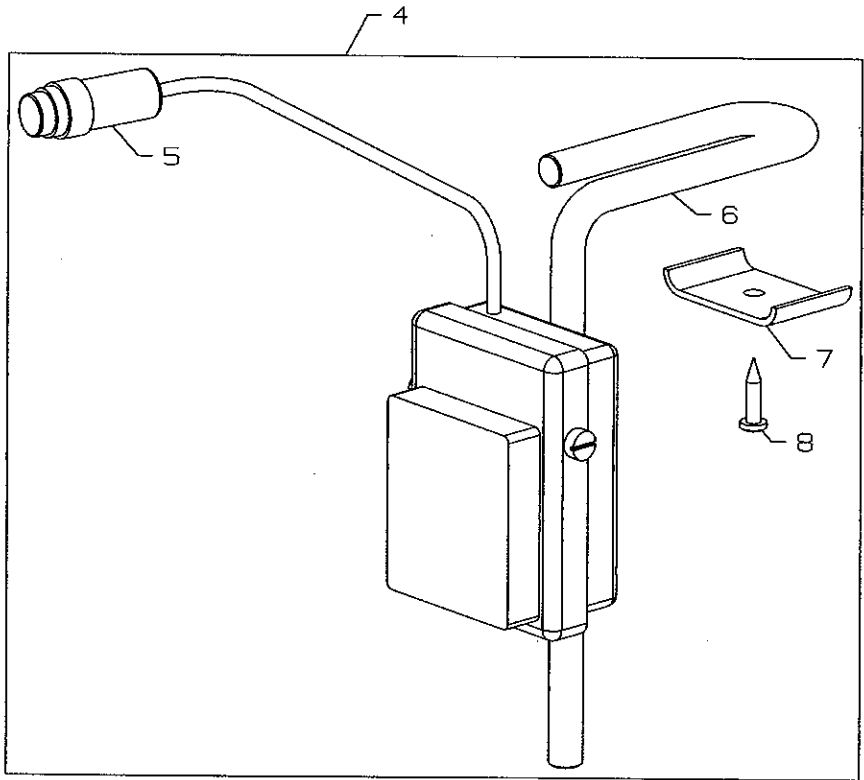
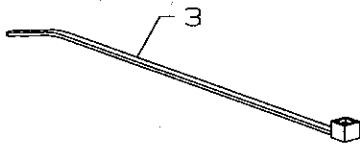
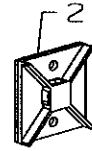
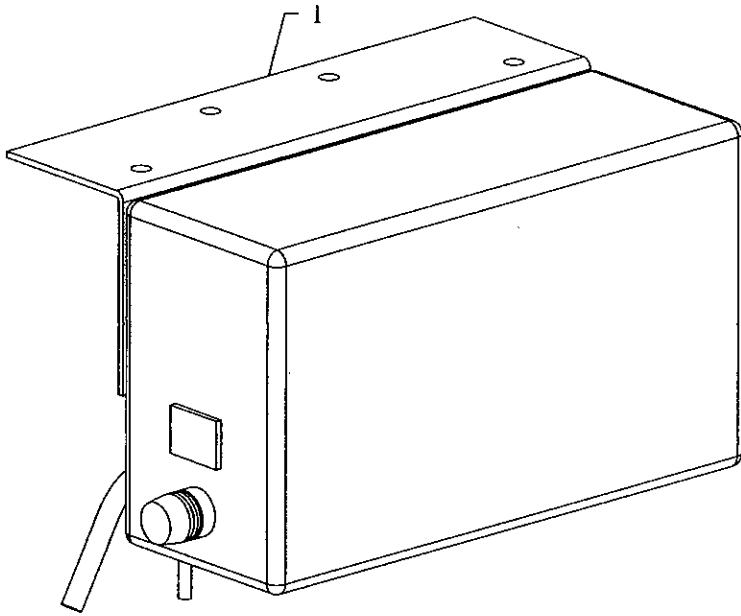
TC2 MISCELLANEOUS COVERS, TOP MOUNT

| Ref. No. | Part No. | Description | Amt. Req. |
|----------|----------|---|-----------|
| 1. | 22726 | Screw, for swing plate | 1 |
| 2. | 95978 | Washer, for swing plate | 1 |
| 3. | 50301BU | Cloth Plate, left | 1 |
| 4. | 50301BT | Cloth Plate, right, for 29486AE Tape Cutter | 1 |
| 5. | 50345U | Swing Plate, for 29486AE Tape Cutter | 1 |
| 6. | 50382GP | Cover, feed chamber..... | 1 |



TC2, TC4, TC4B PNEUMATIC CONTROLS

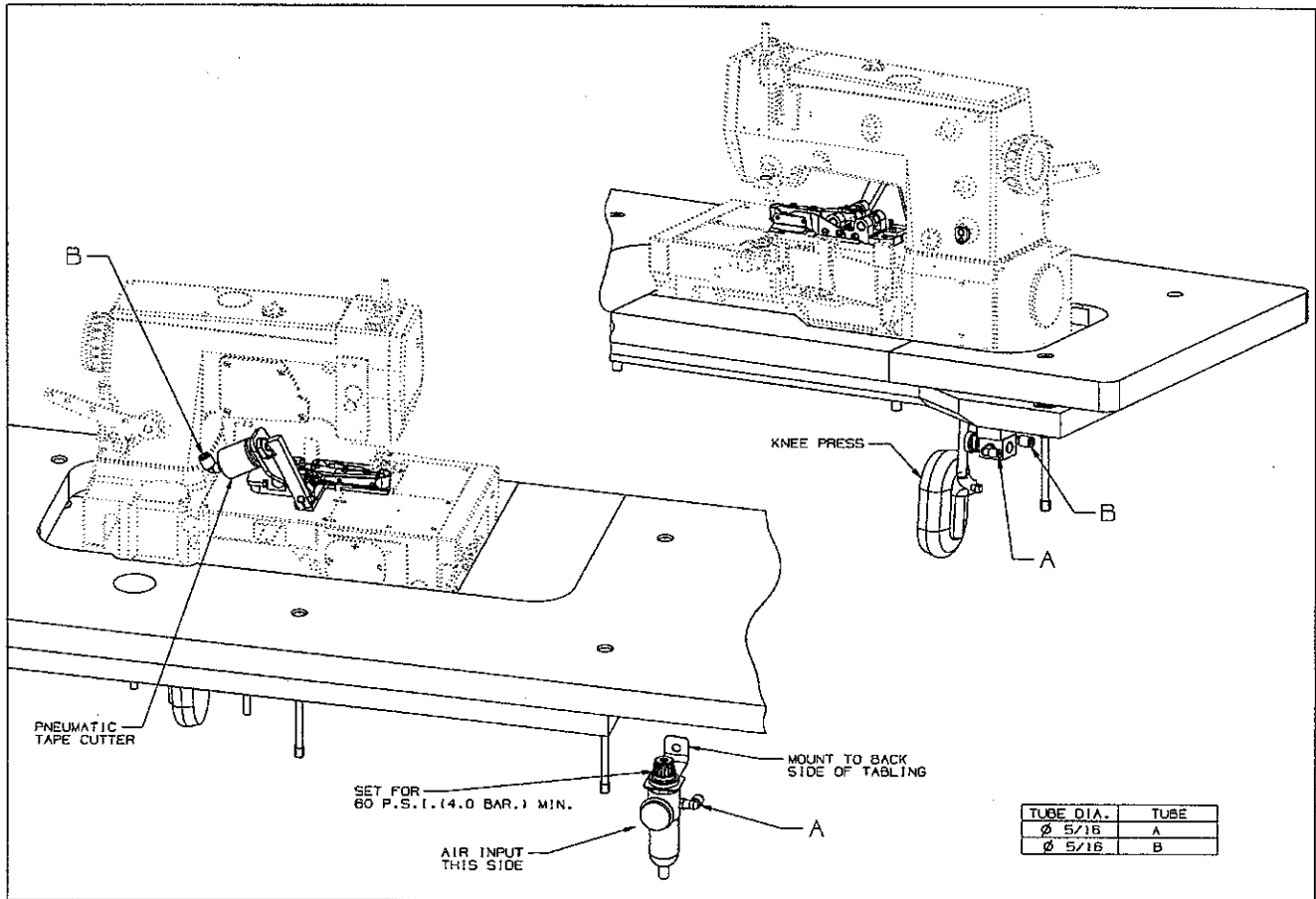
| Ref. No. | Part No. | Description | Amt. Req. |
|----------|----------|---|-----------|
| 1. | 99683CP | Mounting Bracket, for TC4 | 1 |
| 2. | 90561K | Wood Screw | 2 |
| 3. | 29480AWF | Pneumatic Control Assembly, for TC4 | 1 |
| 4. | 671F79 | Elbow Fitting | 1 |
| 5. | 671F81D | Connector | 1 |
| 6. | RM2850D | Tee | 1 |
| 7. | 671F6 | Bushing | 1 |
| 8. | 671D42 | Filter Regulator | 1 |
| 9. | 671F88 | Barb Fitting | 1 |
| 10. | 29480ZA | Pneumatic Control Assembly, for TC2 | 1 |
| 11. | 39583A | Mounting Bracket | 1 |
| 12. | 671D31 | Filter Regulator | 1 |
| 13. | 671F79 | Elbow Fitting | 1 |
| 14. | 671F1 | Barb Fitting | 1 |
| 15. | 29480AWN | Knee Press Fitting | 1 |
| 16. | 50364H | Mounting Plate | 1 |
| 17. | 96902 | Washer | 2 |
| 18. | 90561K | Wood Screw | 2 |
| 19. | AS7-2 | Knee Press Base | 1 |
| 20. | RM3293-5 | Flat Washer | 2 |
| 21. | 22653B10 | Screw | 2 |
| 22. | 671-85 | 3-Way Valve Assembly | 1 |
| 23. | RM4377-4 | Screw | 2 |
| 24. | AS7-1 | Knee Press Rod | 1 |
| 25. | 667C16 | Dowel Pin | 1 |
| 26. | AS7-3 | Knee Press | 1 |
| 27. | 660-168 | Knee Press Pad | 1 |
| 28. | 671F69 | Elbow Fitting | 1/2 |
| 29. | 67B38 | Tubing | 1/2 |
| 30. | 671F82C | Elbow Fitting, for TC4 | 1 |



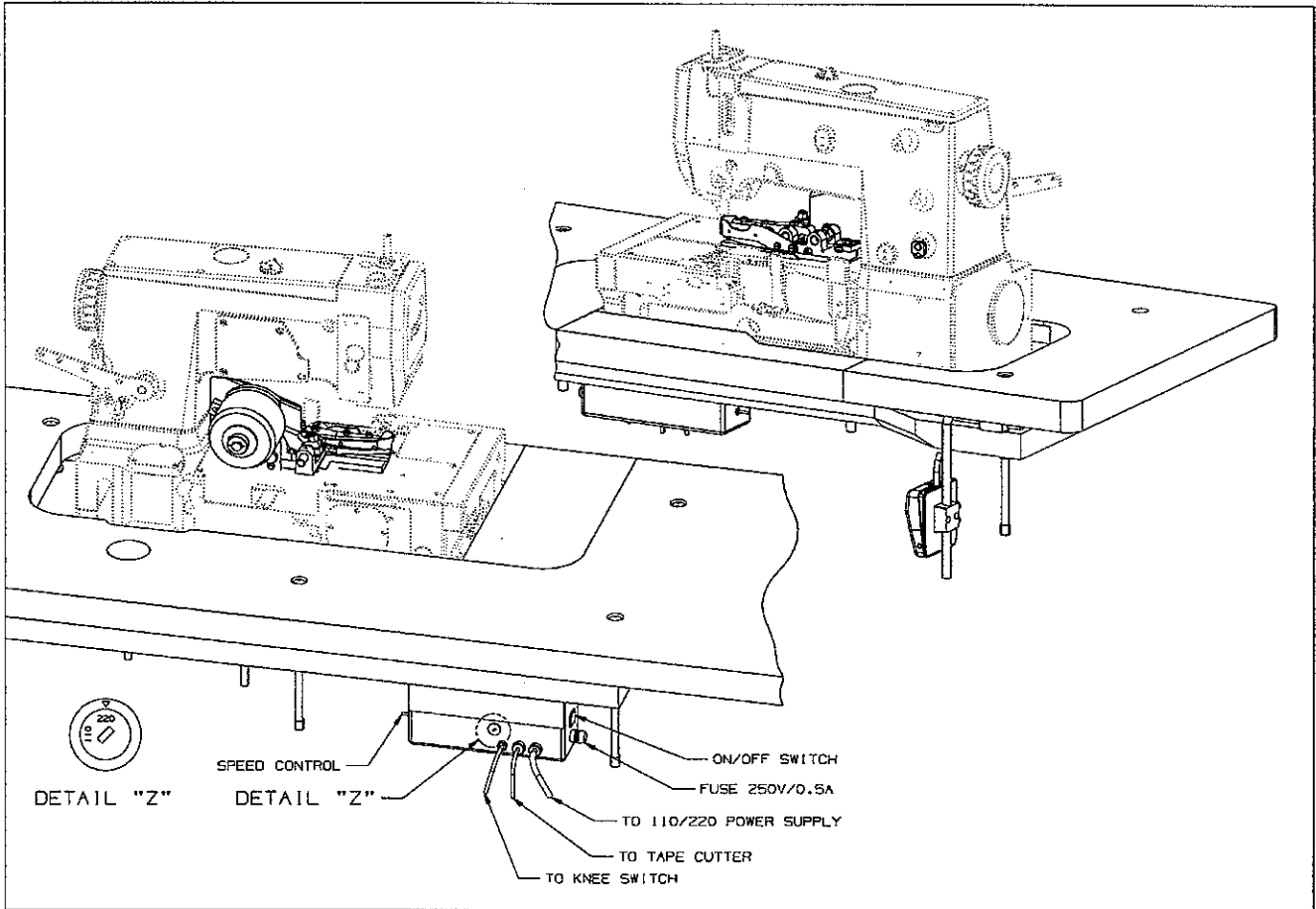
TC3 ELECTRIC CONTROLS

| Ref. No. | Part No. | Description | Amt. Req. |
|-------------|----------|---------------------|--------------|
| 1. | 670L41 | Control Box | 1 |
| 2. | 660-870 | Bundling Strap..... | 6 |
| 3. | RM2871B | Cable Tie..... | 6 |
| 4. | 998-338A | Knee Press..... | 1 |
| 5. | 998-387M | Plug..... | 1 |
| 6. | 998-147C | Holder Rod..... | 1 |
| 7. | 998-147D | Clamp | 1 |
| 8. | 90561Q | Wood Screw | 1 |

TC2 TUBING



TC3 TUBING



TC4 TUBING

