



2 and 3-Needle Cylinder Bed Coverseam Machine

MFC7000 Series

MFC-7400-E11, MFC-7600-E11, MFC-7400-E61, MFC-7600-E61,
MFC-7400-E62, MFC-7600-E62, MFC-7400-H01, MFC-7600-H01,
MFC-7400-H11, MFC-7600-H11, MFC-7400-H12, MFC-7600-H12,
MFC-7400-H21, MFC-7600-H21, MFC-7400-K01, MFC-7600-K01,
MFC-7400-K02, MFC-7600-K02

PARTS LIST

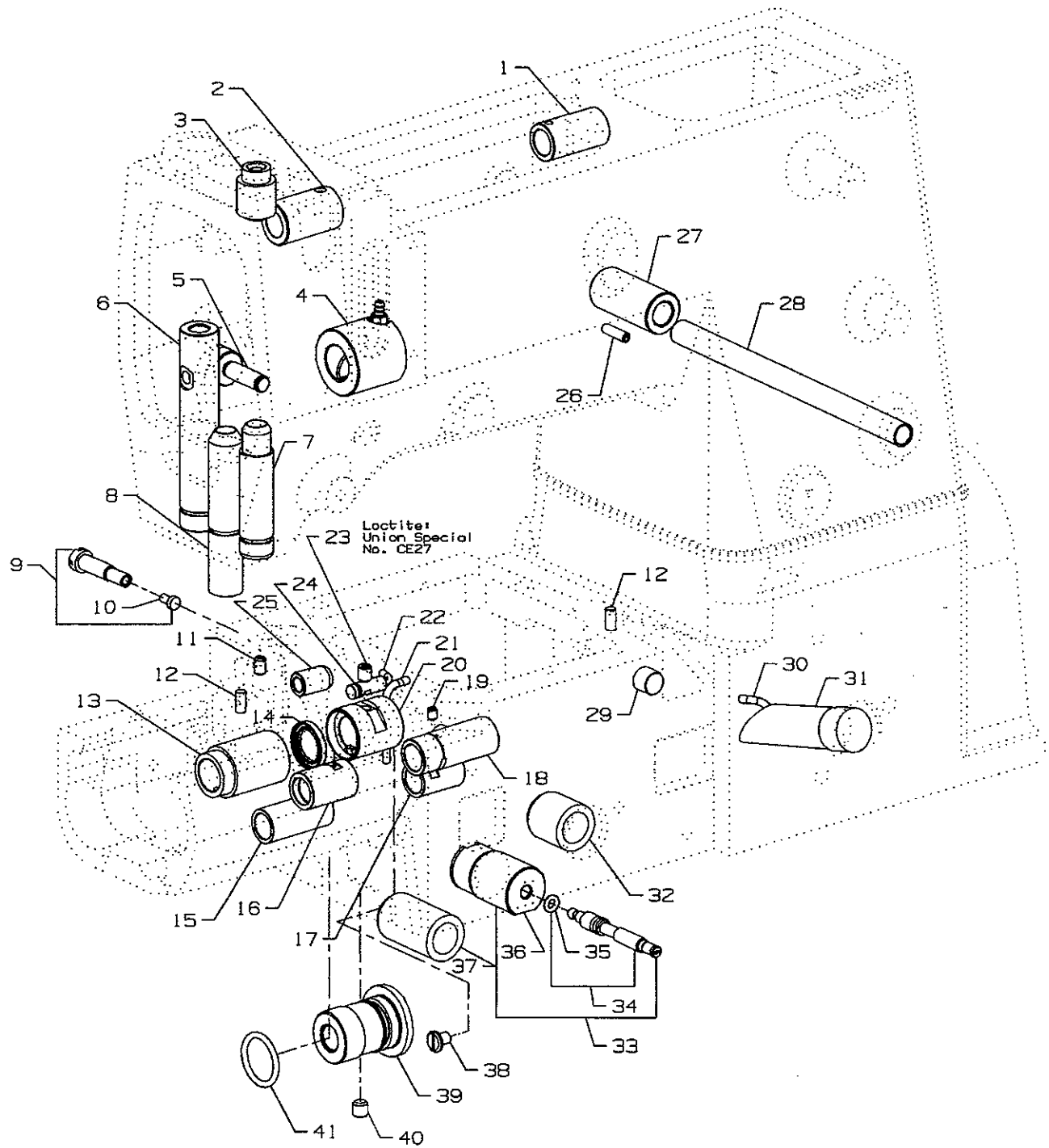
HOW TO MAKE USE OF THIS PARTS LIST

1. Codes on the "Amt. Req." column
 - Each numeral indicates the number of parts required.
 - "0.1" and "2.5" indicate the length (in meters) of the respective parts.
2. Parentheses mean that the corresponding part is a subpart that constructs an assembly part.
3. Dotted lines on the Figures indicate assembly parts.

USE IN CONJUNCTION WITH MACHINE SERIAL NUMBER PREFIX BG AND LATER

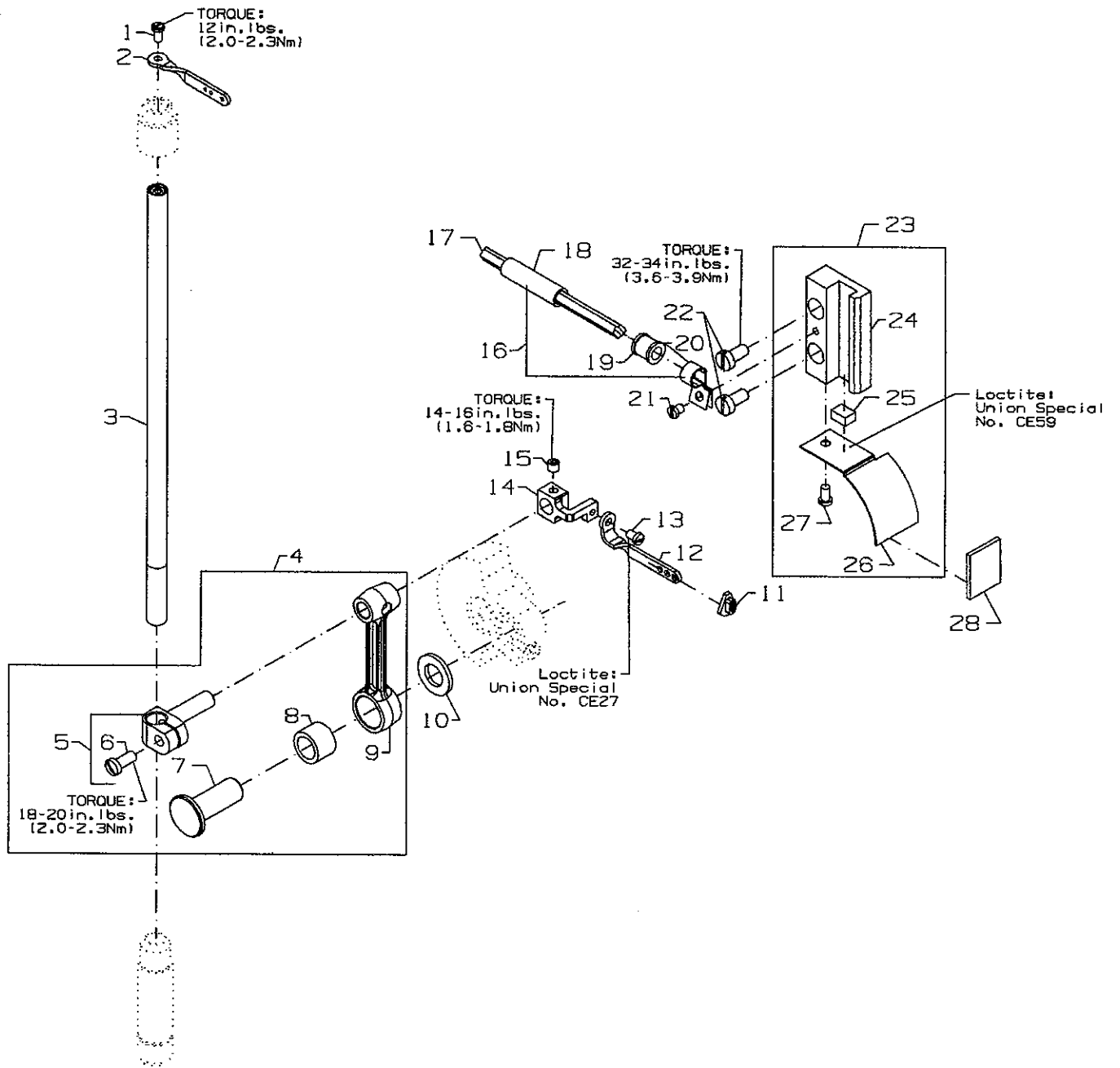
CONTENTS

BUSHINGS	3
NEEDLE BAR	5
UPPER MAIN SHAFT	7
SPREADER	8
THREAD GUIDE	11
TENSION RELEASE & THREAD TENSION	13
PRESSER FOOT LIFT	15
COVERS UPPER ARM	17
LOWER MAIN SHAFT	19
LUBRICATION OIL TUBING & OIL PUMP	21
LOOPER DRIVE	23
LOOPER THREAD TAKE -UP & NEEDLE GUARD	25
FEED DRIVE MECHANISM	27
FEED DRIVE MECHANISM	29
COVERS	
FOR MFCUE11, MFCE61, MFCUE62	31
COVERS LOWER BED- FRONT	33
COVERS LOWER BED- MIDDLE	35
COVERS LOWER BED - REAR	37
SEWING PARTS	
FOR MFCUE11, MFCUE61, MFCUE62	39
SEWING CHART	
FOR MFCUE11	40
SEWING CHART	
FOR MFCUE61, MFCUE62	41
SEWING PARTS	
FOR MFCUH01	43
SEWING PARTS	
FOR MFCUH11, MFCUH12	45
SEWING CHART	
FOR MFCUH11	46
SEWING CHART	
FOR MFCUH12, MFCUH12	47
SEWING PARTS	
FOR MFCUH21	49
SEWING PARTS	
FOR MFCUK01, MFCUK02	51
ACCESSORIES	53
TAPE GUIDE, HOLD DOWN DEVICE	
FOR MFCUE11, MFCUE61, MFCUE62	55
UNDER TRIMMER ASSEMBLY	
FOR MFCUE11, MFCUE61, MFCUE62	57
PULLER LIFTER ASSEMBLY	59
FOR MFCUE61, MFCUE62, MFCUH11, MFCUH12	59
PULLER DRIVE ASSEMBLY	
FOR MFCUE61, MFCUE62, MFCUH11, MFCUH12	61
LOWER ROLLER ASSEMBLY	
FOR MFCUE61, MFCUE62, MFCUH11, MFCUH12	63
UPPER ROLLER ASSEMBLY	
FOR MFCUE61, MFCUE62, MFCUH11, MFCUH12	65
LEFT HAND TRIMMER ASSEMBLY	
FOR CS122H21, CS132H21	67
NEEDLE DIPPER (EXTRA SEND CHARGE)	69
NUMERICAL INDEX OF PARTS	70
NUMERICAL INDEX OF PARTS	71
NUMERICAL INDEX OF PARTS	72
NUMERICAL INDEX OF PARTS	73
NOTES	74



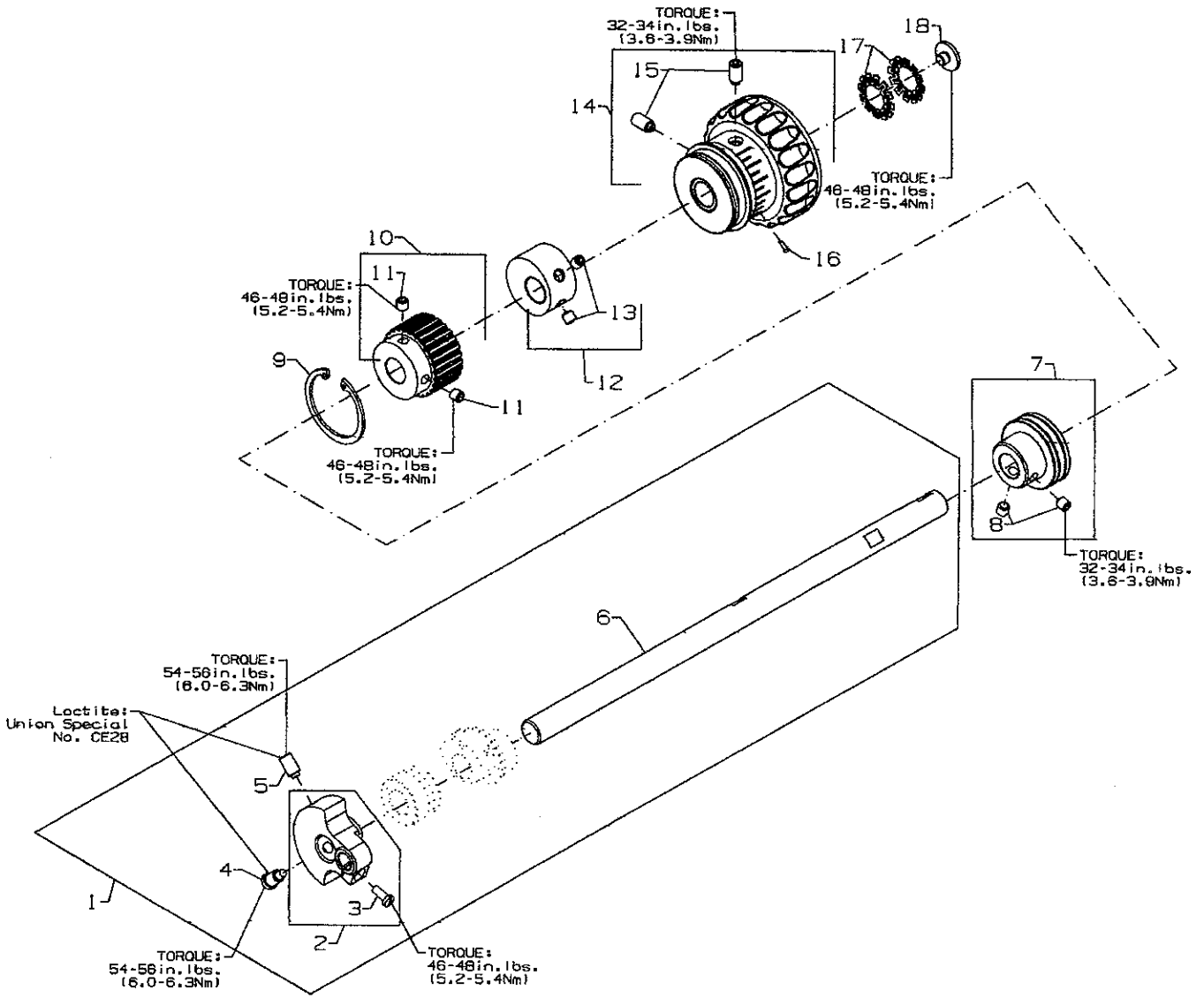
- BUSHINGS

Ref.No.	Juki Part No.	Description	Code	Amt.Req.
1.	US-0005034-7E	Bushing, for spreader, rear	50347E	1
2.	US-0005034-7F	Bushing, for spreader, front	50347F	1
3.	US-0005035-4J	Bushing, for needle bar, upper	50354J	1
4.	US-0050344-BU	Bushing, for upper main shaft, front	50344BU	1
5.	US-0005033-2U	Pin	50332U	1
6.	US-0005034-7L	Bushing, for spreader drive	50347L	1
7.	US-0005035-4H	Bushing, for needle bar, lower	50354H	1
8.	US-0050330-CZ	Bushing, for presser bar	50330CZ	1
9.	302-42804	Stop Screw	99352	2
10.	302-14803	Stop	999-212-035	1
11.	301-86308	Screw, for cast-off plate stud	22894BD	1
12.	302-38307	Pin	96841	1
13.	302-78907	Bushing, for main shaft, left	34390	1
14.	US-0050393-EZ	Oil Seal	50393EZ	1
15.	302-79202	Bushing, for feed rocker, left	34336C	1
16.	302-79509	Bushing, for feed lifter shaft, left	34336D	1
17.	302-79301	Bushing, for feed rocker shaft, right	34336B	1
18.	302-79400	Bushing, for feed lifter shaft, right	34336E	1
19.	302-17905	Set Screw	22565C	1
20.	US-0050344-BP	Bushing, for main shaft, middle	50344BP	1
21.	302-27201	Oil Tube	34394A	1
22.	US-0050393-KW	Oil Tube	50393KW	1
23.	300-84206	Screw	22894AD	1
24.	302-14407	"O" Ring	999-211B	1
25.	US-0050344-BL	Bushing, for cast-off plate bracket	50344BL	1
26.	PS-0400142-KH	Pin	PS0400142KH	1
27.	US-0005038-1E	Bushing, for lifter lever, back	50381E	1
28.	US-0050392-AB	Bushing, for tension release	50392AB	1
29.	300-76509	Plug Screw	22571F	2
30.	302-26005	Oil Tube	34394B	1
31.	US-0050393-GF	Oil Sight Gauge	50393GF	1
32.	303-82006	Bushing, for looper drive shaft, front	34342G	1
33.	US-0050344-BN	Differential Feed Adjusting Assembly	50344BN	1
34.	US-0050322-AZ	Differential Feed Adjusting Shaft	50322AZ	1
35.	RO-0371801-00	"O" Ring	RO037180100	1
36.	US-0050344-BK	Differential Adjusting Bushing	50344BK	1
37.	303-78905	Bushing, for looper drive shaft rear	34342F	1
38.	302-44503	Screw	22829	1
39.	US-0050344-AV	Bushing	50344AV	1
40.	SS-8660612-TP	Screw	SS8660612TP	1
41.	302-79707	"O" Ring	999-211	1



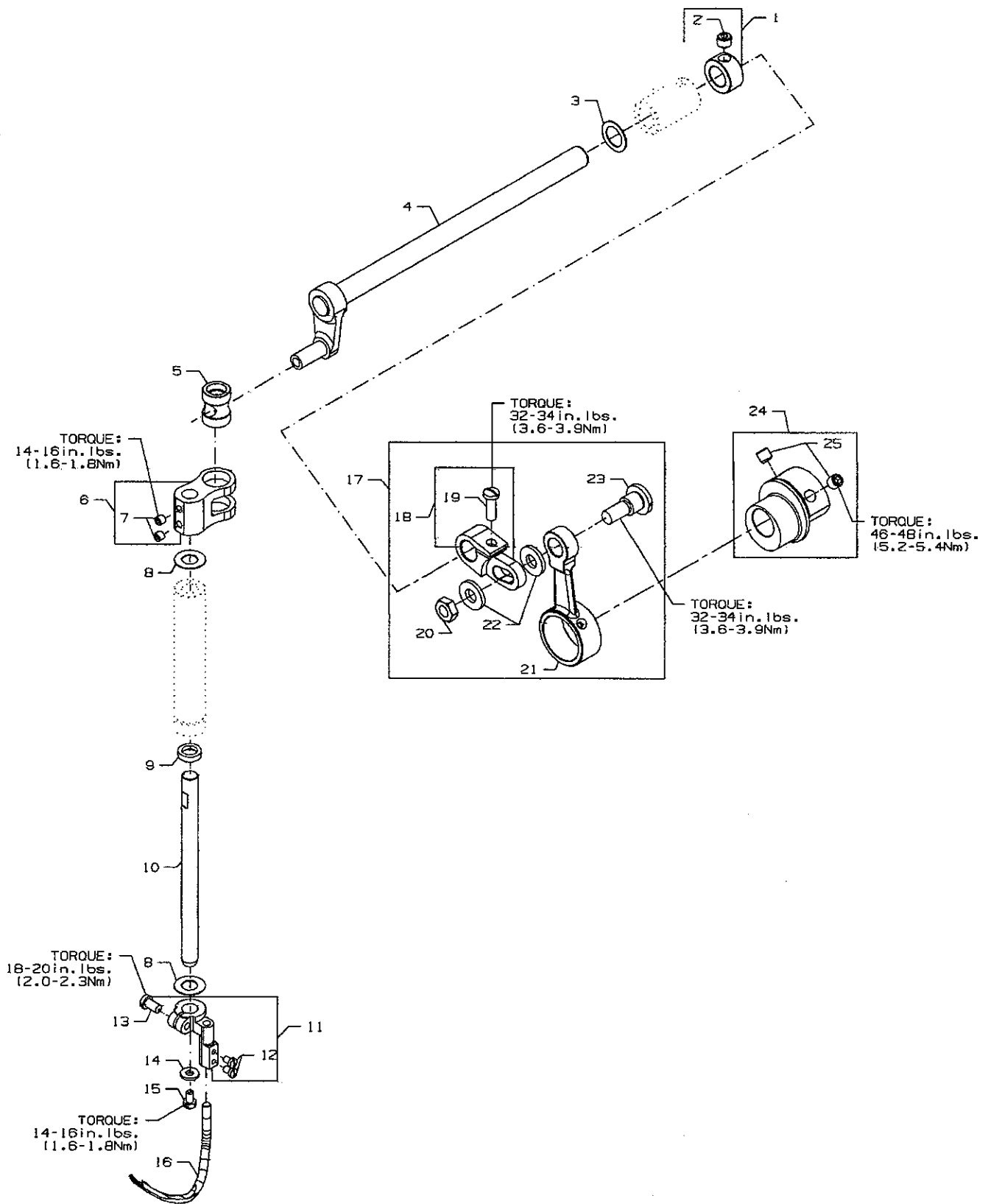
NEEDLE BAR

Ref.No.	Juki Part No.	Description	Code	Amt.Req.
1.	SS-4080620-TP	Screw	SS4080620TP	1
2.	US-0005032-3P	Needle Bar Eyelet	50323P	1
3.	US-0005031-7B	Needle Bar	50317B	1
4.	US-0005034-5W	Connecting Rod Assembly	50345W	1
5.	US-0050355-AM	Needle Bar Clamp	50355AM	1
6.	SS-7111120-TP	Screw	SS7111120TP	1
7.	US-0000503-52	Pivot Pin	50352	1
8.	US-0661Z25-9B	Needle Bearing Cage	661-259B	1
9.	US-0050355-AN	Connecting Rod	50355AN	1
10.	US-0005035-1A	Washer	50351A	1
11.	US-0050393-JP	Eyelet Seal	50393JP	1
12.	US-0005035-8X	Needle Thread Eyelet	50358X	1
13.	SS-7080520-SP	Screw	SS7080520SP	1
-		Loctite Adhesive, (not shown), for screw	CE27	-
14.	US-0005035-4F	Slide Block	50354F	1
-		Three Bond Adhesive, (not shown), for slide block	CE63	-
15.	SS-8110422-TP	Screw	SS8110422TP	1
16.	US-0029476-TC	Oil Tube Assembly	29476TC	1
17.	CQ-2522000-0	Cable	CQ25220000	1
18.	US-0050393-JY	Oil Tube	50393JY	1
19.	US-0050393-JX	Oil Tube	50393JZ	1
20.	US-0050393-JW	Hose Clamp	50393JW	1
21.	SS-6090440-SP	Screw, for support bracket	SS6090440SP	1
22.	SS-6121010-SP	Screw	SS6121010SP	2
23.	US-0029476-TH	Slide Block Guide Assembly	29476TH	1
24.	US-0005035-4G	Slide Block Guide	50354G	1
25.	US-0050393-HS	Sponge	50393HS	1
-		Loctite Adhesive, (not shown), for sponge	CE59	-
26.	US-0050394-AF	Slide Block Guide Cover	50394AF	1
27.	SS-6090620-SP	Screw	SS6090620SP	1
28.	US-00666Z3-29	Felt	666-329	1



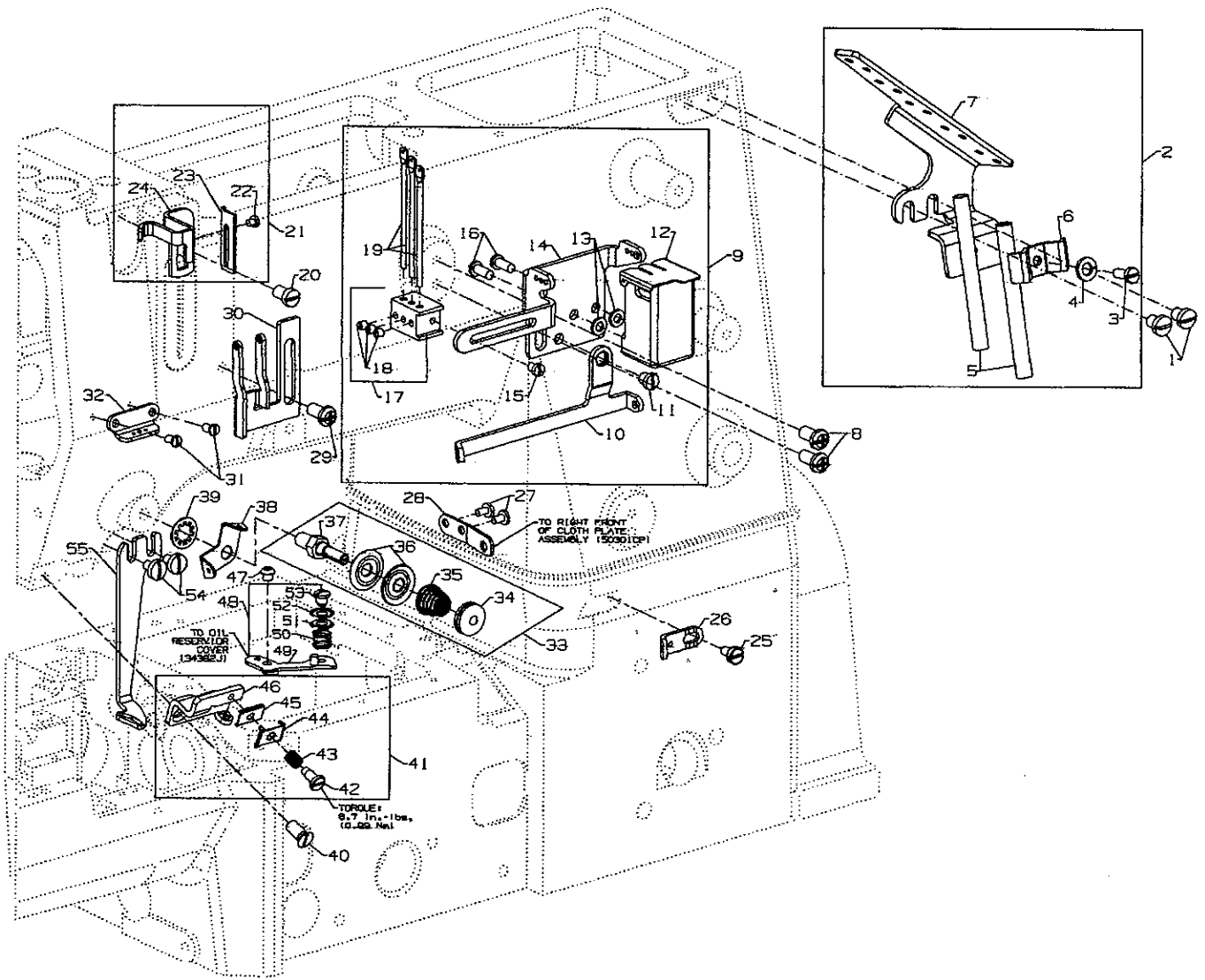
UPPER MAIN SHAFT

Ref.No.	Juki Part No.	Description	Code	Amt.Req.
1.	US-0050322-BB	Upper Main Shaft Assembly	50322BB	1
2.	US-0000503-91	Counterweight	50391	1
3.	SS-7111120-TP	Screw, for counter weight	SS7111120TP	1
4.	SS-7681410-TP	Screw, for counter weight	SS7681410TP	1
5.	SS-8681412-TP	Screw, for counter weight	SS8681412TP	1
6.	US-0050322-AF	Upper Main Shaft	50322AF	1
7.	US-0050335-BD	Bearing Adapter Assembly	50335BD	1
8.	SS-8660612-TP	Screw, for bearing adapter	SS8660612TP	2
9.	US-00661Z2-62	Retaining Ring	661-262	1
10.	US-0050342-AY	Sprocket, for upper main shaft	50342AY	1
11.	SS-8661012-TP	Set Screw, for sprocket	SS8661012TP	2
12.	US-0005039-1A	Counterweight	50391A	1
13.	SS-8660612-TP	Screw	SS8660612TP	2
14.	US-0005032-1M	Handwheel	50321M	1
15.	SS-8681412-TP	Set Screw, for handwheel	SS8681412TP	2
16.	304-24204	Tack Pin, for handwheel	660-1043	1
17.	US-00661Z2-61	Load Ring, for lower main shaft	661-261	2
18.	SS-7660520-SP	Screw, for handwheel preload	SS7660520SP	1



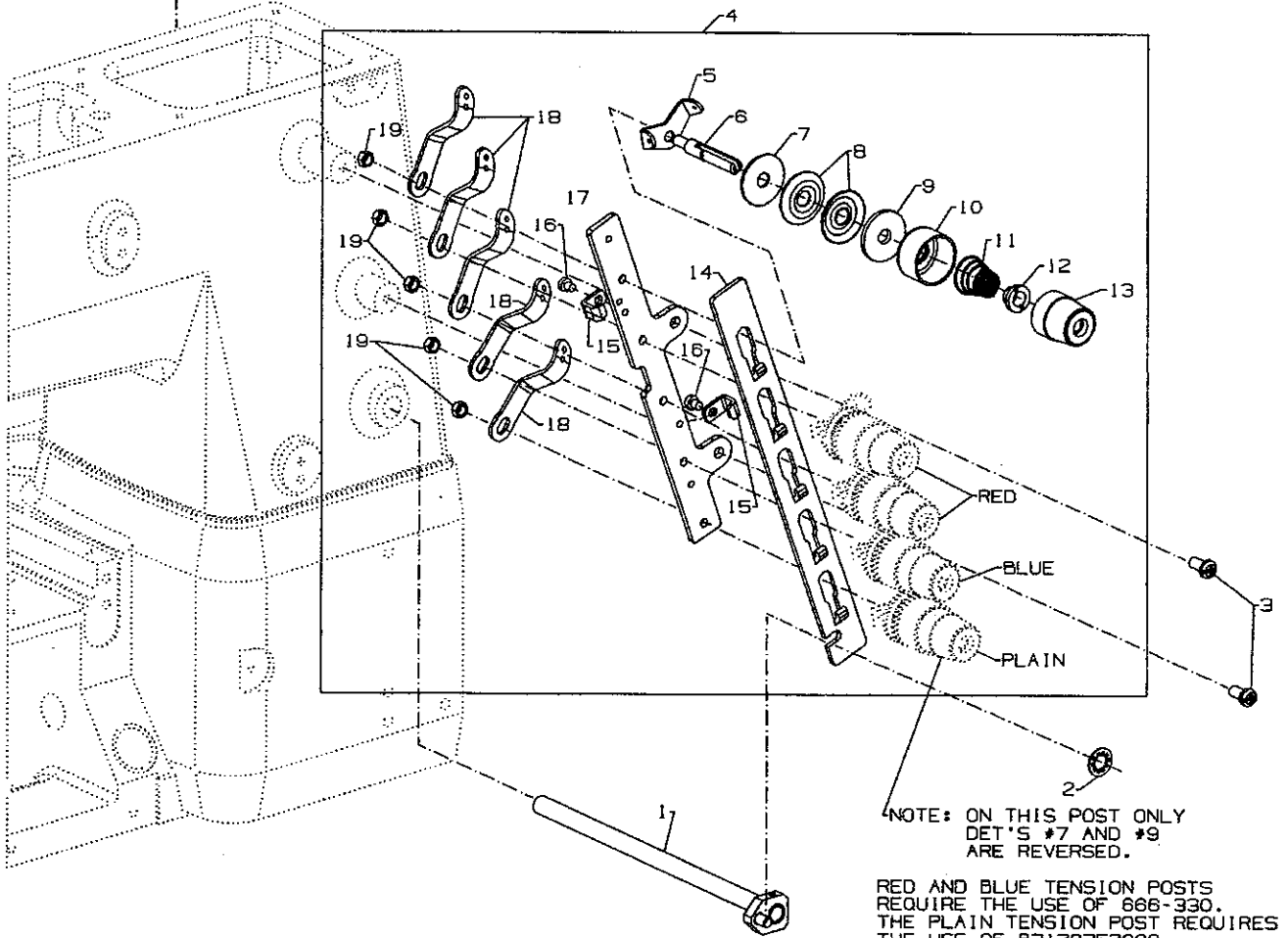
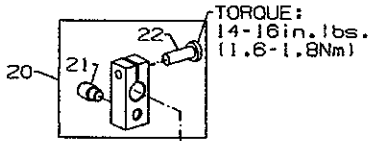
SPREADER

Ref.No.	Juki Part No.	Description	Code	Amt.Req.
1.	US-0050335-AW	Collar, for spreader shaft	50335AW	1
2.	SS-8660512-TP	Set Screw	SS8660512TP	1
3.	302-89904	Washer	96162B	1
4.	US-0005036-0B	Crankshaft, for spreader assembly	50360B	1
5.	US-0005034-7J	Pin, for spreader rocker	50347J	1
6.	US-0005034-7C	Lever, for spreader holder shaft	50347C	1
7.	SS-8110422-TP	Screw	SS8110422TP	2
8.	300-18709	Washer	61351C	2
9.	300-95400	Oil Seal	660-739	1
10.	US-0005034-7G	Shaft, for spreader, vertical	50347G	1
11.	US-0005034-6A	Spreader Holder	50346A	1
12.	SS-7080510-TP	Screw	SS7080510TP	2
13.	SS-7110910-TP	Screw	SS7110910TP	1
14.	300-85005	Washer	53678N	1
15.	SS-9090640-SP	Hex Screw, for vertical shaft	SS9090640SP	1
16.	US-0005036-0H	Spreader	50360H	1
17.	US-0029126-FW	Spreader Crank Rod Assembly	29126FW	1
18.	US-0005036-0G	Spreader Shaft Driving Arm	50360G	1
19.	SS-7121410-TP	Screw	SS7121410TP	1
20.	NS-6680410-SP	Hex Nut, for spreader drive	NS6680410SP	2
21.	US-0005036-0F	Connecting Rod, for spreader drive	50360F	2
22.	WP-0742016-SP	Collar, for spreader driving arm	WP0742016SP	1
23.	SD-1000801-SH	Stud	SD1000801SH	1
24.	US-0000503-60	Eccentric, for spreader drive	50360	1
25.	SS-8660612-TP	Screw	SS8660612TP	1



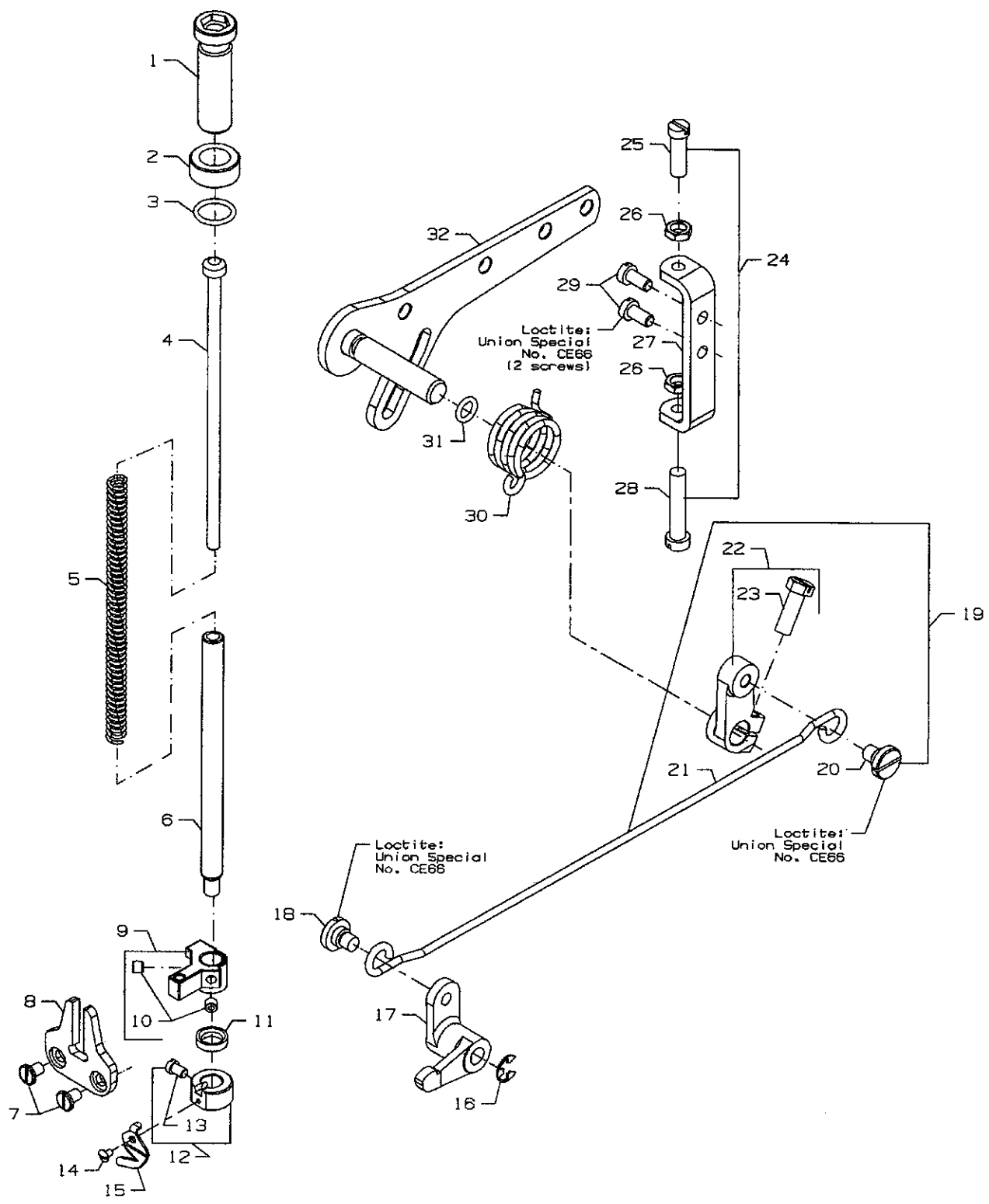
THREAD GUIDE

Ref.No.	Juki Part No.	Description	Code	Amt.Req.
1.	SS-7120640-SP	Screw, for lead-in eyelet	SS7120640SP	2
2.	US-0050392-AU	Thread Eyelet Assembly	50392AU	1
3.	SS-7090910-TP	Screw, for tube bracket	SS7090910TP	1
4.	WS-0510002-KP	Washer	WS0510002KP	1
5.	US-0000503-66	Thread Eyelet Tube	50366	2
6.	US-0005036-6A	Thread Eyelet Tube Bracket	50366A	1
7.	US-0005039-2S	Lead-in Tension Eyelet	50392S	1
8.	SS-4120615-SP	Screw, for spreader thread guide	SS4120615SP	2
9.	US-0050363-CK	Needle Thread Guide & Lubricator Assembly	50363CK	1
10.	US-0005035-8U	Thread Guide, for spreader	50358U	1
11.	SS-7110410-SP	Screw, for needle thread guide	SS7110410SP	1
12.	US-0050393-HH	Silicone Thread Lubricator	50393HH	1
13.	WS-0371026-SD	Washer	WS0371026SD	2
14.	US-0005036-6J	Needle Thread Guide	50366J	1
15.	SS-7080510-TP	Screw, for holder eyelet	SS7080510TP	1
16.	SS-4090815-SP	Screw, for silicone tank	SS4090815SP	2
17.	US-0005035-8W	Holder, for needle thread eyelet	50358W	1
18.	SS-8080410-TP	Screw	SS8080410TP	3
19.	303-91601	Adjusting Needle Thread Eyelet	36271A	3
20.	SS-7120710-SP	Screw, for strike-off	SS7120710SP	1
21.	US-0005036-6B	Needle Thread Strike-Off Assembly	50366B	1
22.	SS-7060310-SP	Screw, for plate strike-off	SS7060310SP	1
23.	US-0005037-0F	Thread Strike-Off Component	50370F	1
24.	US-0005035-8V	Needle Thread Strike-Off	50358V	1
25.	302-12104	Screw	98A	1
26.	121-24202	Looper Frame Eyelet	12124202	1
27.	302-11700	Screw	87U	1
28.	301-42004	Looper Thread Guide	34358F	1
29.	SS-4120915-SP	Screw, for thread take-up cover	SS4120915SP	1
30.	US-0005039-2T	Eyelet	50392T	1
31.	300-98503	Screw, for needle thread guide	605A	2
32.	301-41709	Needle Thread Guide	C50044E	1
33.	304-29955	Spreader Thread Tension Assembly	29475CG	1
34.	304-30102	Tension Nut	50392AZ	1
35.	304-30201	Tension Spring	50392AY	1
36.	304-29906	Tension Disc	50392AX	2
37.	304-30003	Tension Post	50392AW	1
38.	302-64808	Eyelet	57844	1
39.	301-41907	Star Washer	652C16	1
40.	SS-1121010-SP	Screw, for thread guide	SS1121010SP	1
41.	US-0050357-AR	Nipper Plate Assembly	50357AR	1
42.	SD-0380551-SL	Shoulder Screw	SD0380551SL	1
43.	US-0050357-AS	Nipper Spring	50357AS	1
44.	US-0005035-7Y	Nipper Spring Plate	50357Y	1
45.	US-0005035-7V	Nipper Plate	50357V	1
46.	US-0005036-6G	Thread Guide	50366G	1
47.	303-91502	Screw	18C1471	2
48.	US-029480A-YJ	Looper Thread Nipper	29480AYJ	1
49.	US-0005036-6J	Eyelet	50366L	1
50.	US-0050357-AV	Spring, Nipper	50357AV	1
51.	US-0050357-AT	Nipper Plate	50357AT	1
52.	US-0050357-AX	Nipper Plate	50357AX	1
53.	US-0050357-AW	Screw, Tension Post	50357AW	1
54.	SS-7090610-SP	Screw, for spreader thread guide	SS7090610SP	2
55.	US-0000503-46	Thread Guide Spreader	50346	1



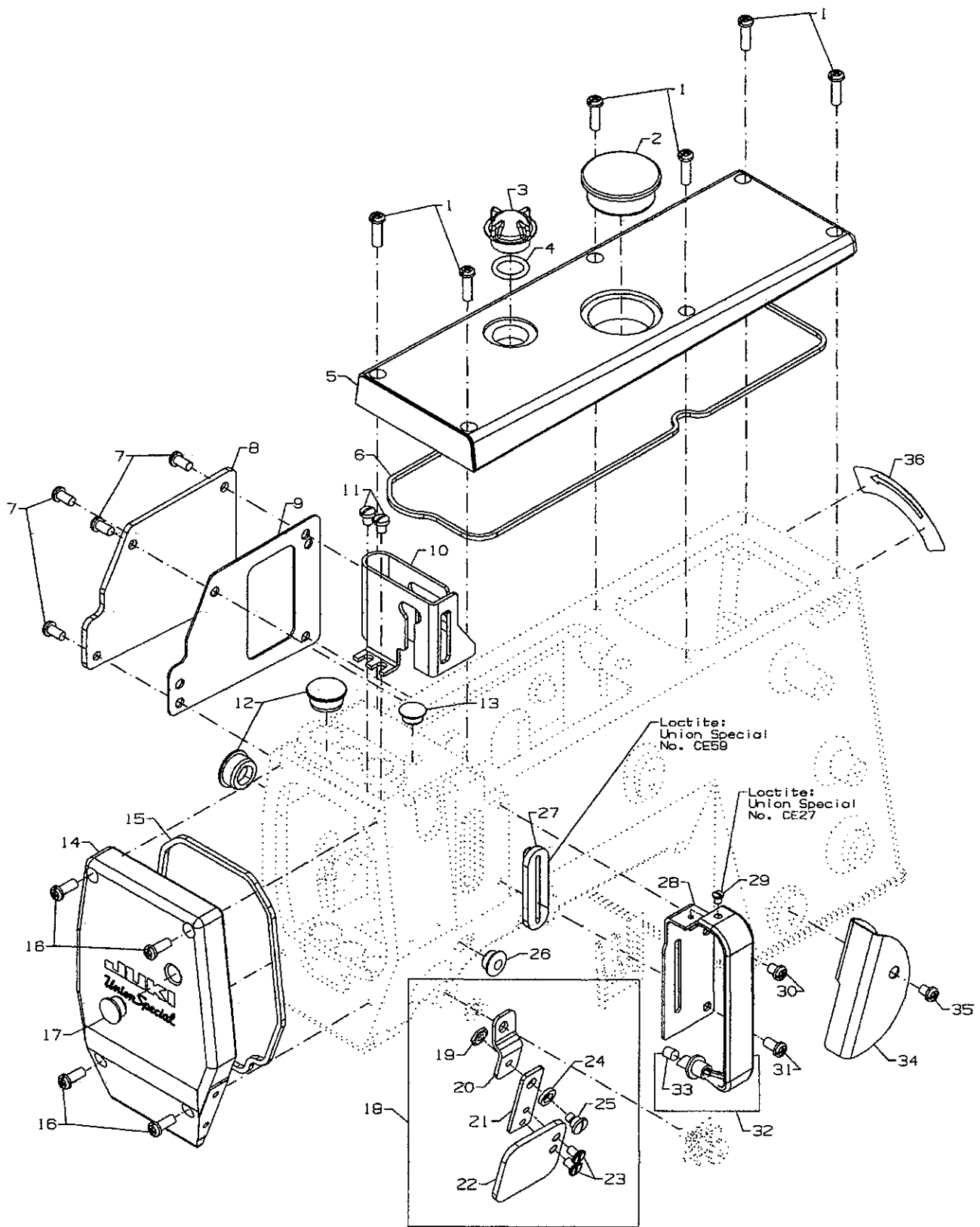
TENSION RELEASE & THREAD TENSION

Ref.No.	Juki Part No.	Description	Code	Amt.Req.
1.	US-0005039-2Z	Tension Needle Lever Assembly	50392Z	1
2.	300-03602	Retainer Washer	660-283A	1
3.	SS-4120915-SP	Screw, for tension assembly	SS4120915SP	2
4.	US-0005039-2Y	5 Thread Tension Assembly	50392Y	1
5.	300-46205	Thread Tension Eyelet	57892K	5
6.	303-63006	Tension Post	56392G	5
7.	B3120-352-000	Tension Disc Felt	B3120352000	1
-	US-00666Z3-30	Disc Felt	666-330	4
8.	B3126-012-000	Tension Disc	B3126012000	10
9.	B3120-704-000	Tension Disc Felt	B3120704000	5
10.	303-62909	Spring Shield	56392H	5
11.	115-50209	Spring, needle (green)	11550209	3
-	B3103-804-000	Spring, spreader (blue)	B3103804000	1
-	B3121-804-000	Spring, looper (plain)	B3121804000	1
12.	B3112-704-000	Ferrule, tension spring	B3112704000	5
13.	US-0005069-2G	Knob, needle (green)	50692G	3
-	303-62800	Knob, spreader (blue)	56392M	1
-	303-82907	Knob, looper (plain)	56392R	1
14.	US-0005039-2W	Tension Disc Separator	50392W	1
15.	US-0050392-AV	Guide, for tension disc separator	50392AV	2
16.	SS-7090520-SP	Screw, for guide	SS7090520SP	2
17.	US-0005039-2X	Tension Bracket	50392X	1
18.	300-46304	Lead-In Thread Guide	57865	5
19.	NS-6110420-SP	Nut	NS6110420SP	5
20.	US-0050392-BC	Tension Release Lever Shaft Connection	50392BC	1
21.	US-0002287-5N	Base Spring Screw	22875N	1
22.	SS-7121410-TP	Binder Screw	SS7121410TP	1



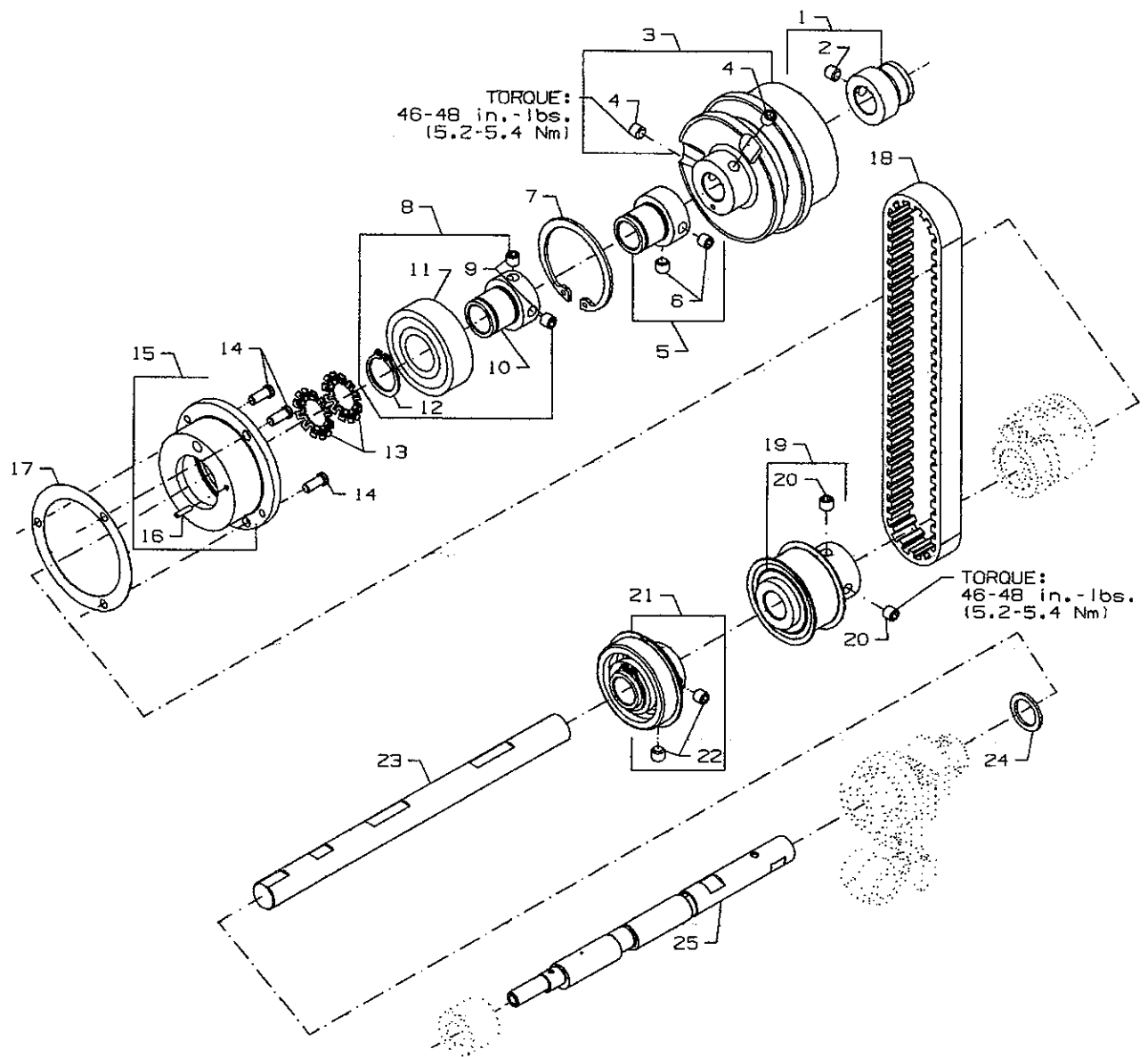
PRESSER FOOT LIFT

Ref.No.	Juki Part No.	Description	Code	Amt.Req.
1.	110-71602	Adjusting Screw, for spring	11071602	1
2.	110-71701	Locking Nut	11071701	1
3.	305-39407	"O" Ring	660-1014	1
4.	301-05001	Spring Rod	C50056B	1
5.	US-0050357-AP	Spring, for presser bar	50357AP	1
6.	US-0050335-AF	Presser Bar	50335AF	1
7.	SS-6110610-TP	Screw, for guide plate	SS6110610TP	2
8.	US-0050335-AG	Guide Plate, for presser bar	50335AG	1
9.	US-0050335-AH	Presser Bar Guide	50335AH	1
10.	SS-8110422-TP	Set Screw	SS8110422TP	2
11.	300-95400	Oil Seal	660-739	1
12.	US-0005033-3P	Collar	50333P	1
13.	302-17707	Screw	22562	2
14.	SS-5060410-SP	Screw	SS5060410SP	1
15.	B1528-804-000A	Chain Knife (Except UT, TC Device)	B1528804000A	1
16.	RE-0500000-KO	"E" Ring, for pin	RE0500000KO	1
17.	US-0005038-1F	Lever, for wire connector	50381F	1
18.	SD-0790303-SP	Screw, for wire connector	SD0790303SP	1
-	-	Loctite Adhesive, (not shown), for screw	CE66	-
19.	US-0029476-TK	Rear Lifter Lever Assembly	29476TK	1
20.	SD-0790303-SP	Screw	SD0790303SP	1
21.	US-0050355-AR	Wire Connector	50355AR	1
22.	US-0005038-1G	Lifter Lever, rear	50381G	1
23.	SS-9151740-CP	Hex Screw	SS9151740CP	1
24.	US-0029476-TT	Stop Assembly	29476TT	1
25.	SS-6121010-SP	Screw, for stopper	SS6121010SP	1
26.	NS-6150310-SP	Hex Nut	NS6150310SP	1
27.	US-0005033-2V	Stopper, for lifter lever	50332V	1
28.	SS-6153040-SP	Screw, for adjusting stopper	SS6153040SP	1
29.	SS-6151920-SP	Screw, for adjusting stopper	SS6151920SP	2
-	-	Loctite Adhesive, (not shown), for screw	CE49	-
30.	US-0000503-81	Spring, for lifter lever	50381	1
31.	RO-0681901-00	"O" Ring	RO068190100	1
32.	US-0005038-1B	Lifter Lever Assembly	50381B	1



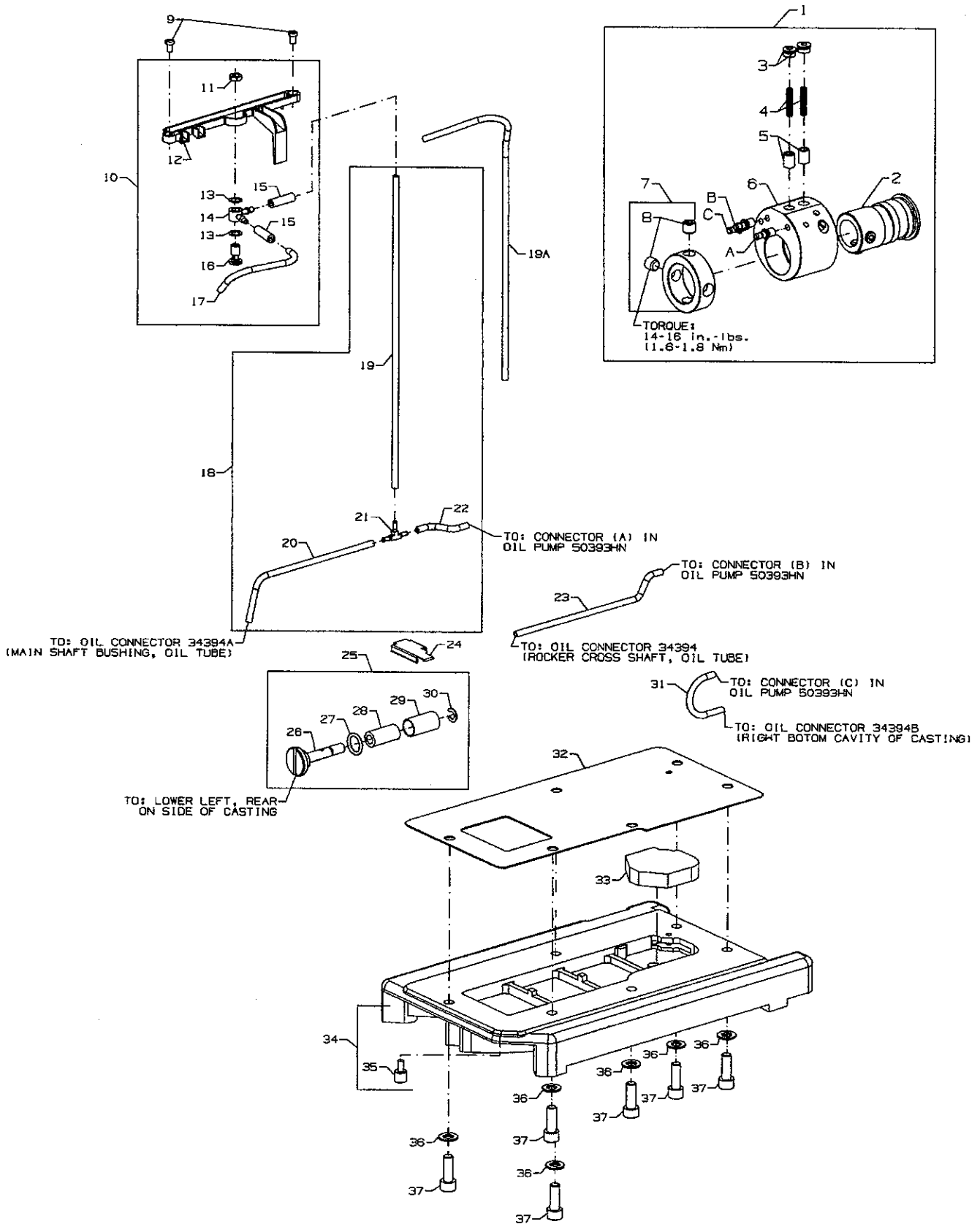
COVERS UPPER ARM

Ref.No.	Juki Part No.	Description	Code	Amt.Req.
1.	SS-4121615-SP	Screw, for top cover	SS4121615SP	6
2.	US-0050393-EU	Plug, for top cover	50393EU	1
3.	B3530-555-000	Oil Sight Gauge, top	B3530555000	1
4.	US-00660Z2-12	"O" Ring, for oil sight gauge	660-212	1
5.	US-0050382-FW	Top Cover	50382FW	1
6.	US-0050382-FZ	Quad Ring, for top cover	50382FZ	1
7.	SS-4120915-SP	Screw, for puller drive cover	SS4120915SP	4
8.	US-0050382-GB	Puller Drive Cover	50382GB	1
9.	US-0005038-4L	Gasket, for puller drive cover	50384L	1
10.	US-0005031-7C	Needle Bar Guard	50317C	1
11.	SS-7120640-SP	Screw, for needle bar guard	SS7120640SP	2
12.	US-0050393-HB	Plug	50393HB	2
13.	TA-1050504-RO	Plug, for arm	TA1050504RO	1
14.	US-0050382-FX	Head Cover	50382FX	1
15.	US-0050382-FY	Quad Ring, for head cover	50382FY	1
16.	SS-4121215-SP	Screw, for head cover	SS4121215SP	4
17.	TA-1100604-RO	Plug	TA1100604RO	1
18.	US-099682X-CB	Sewing Guard Assembly	99682XCB	1
19.	NS-6620320-SP	Nut	NS6620320SP	1
20.	US-0050383-AE	Bracket Holder	50383AE	1
21.	US-0050383-AD	Bracket	50383AD	1
22.	301-42301	Protection Shield	99682XC	1
23.	SS-1110640-SL	Counter Sunk Head Screw	SS1110640SL	2
24.	WZ-0641510-KP	Spring Washer	WZ0641510KP	1
25.	SD-0640323-TP	Shoulder Screw	SD0640323TP	1
26.	US-0050337-AW	Plug	50337AW	1
27.	US-0050393-EW	Rubber Gasket, for needle lever	50393EW	1
28.	US-0050382-JL	Thread Take-Up Bracket	50382JL	1
29.	SS-7090530-SP	Screw	SS7090530SP	1
30.	SS-4120615-SP	Screw, for thread cover	SS4120615SP	1
31.	SS-4120915-SP	Screw, for thread take-up cover	SS4120915SP	1
32.	US-0050382-JN	Thread Take-Up Cover	50382JN	1
33.	US-00666Z3-34	Felt Wick	666-334	1
34.	US-0050382-GM	Thread Cover	50382GM	1
35.	SS-4120615-SP	Screw, for thread cover	SS4120615SP	1
36.	US-0000LA4-51	Label, in direction of rotation	LA451	1



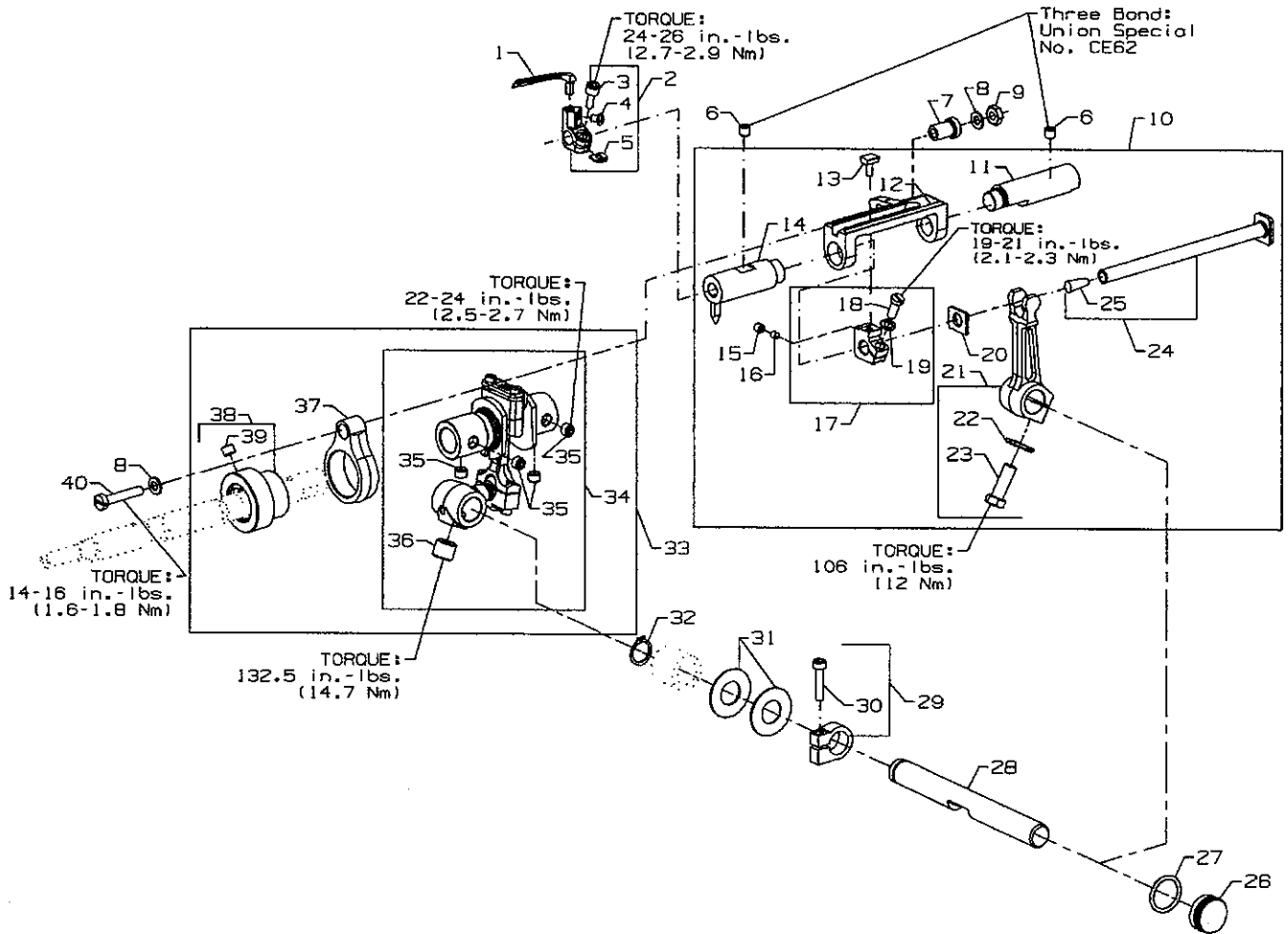
LOWER MAIN SHAFT

Ref.No.	Juki Part No.	Description	Code	Amt.Req.
1.	302-88500	Flange, synchronizer	34321CC	1
2.	302-88609	Screw	95205	1
3.	US-0005032-1J	Pulley	50321J	1
4.	SS-8660612-TP	Set Screw	SS8660612TP	2
5.	US-0050335-AP	Adapter	50335AP	1
6.	SS-8660612-TP	Screw, for adapter	SS8660612TP	2
7.	US-00661Z3-48	Retainer Ring	661-348	1
8.	US-0050344-AR	Bearing Adaptor Assembly	50344AR	1
9.	SS-8660612-TP	Screw	SS8660612TP	2
10.	US-0050335-AP	Adaptor	50335AP	1
11.	US-0005031-1C	Ball Bearing, for lower main shaft, right	50311C	1
12.	US-0050322-AN	Retainer, for sprocket	50322AN	1
13.	US-00661Z2-61	Load Ring	661-261	2
14.	301-03600	Screw, for housing	22569B	3
15.	US-0005039-0L	Rear Bearing Housing	50390L	1
16.	301-42707	Housing Pin	99658	1
17.	302-36905	Housing Gasket	56390E	1
18.	US-0050342-BD	Timing Belt	50342BD	1
19.	US-0050342-BH	Sprocket, for lower main shaft	50342BH	1
20.	SS-8660612-TP	Set Screw	SS8660612TP	2
21.	US-0050335-BC	Bearing Adapter Assembly	50335BC	1
22.	SS-8660612-TP	Screw	SS8660612TP	2
23.	US-0050322-AH	Lower Main Shaft, right	50322AH	1
24.	302-88708	Washer	96162A	1
25.	US-0050322-BG	Mainshaft, left	50322BG	1



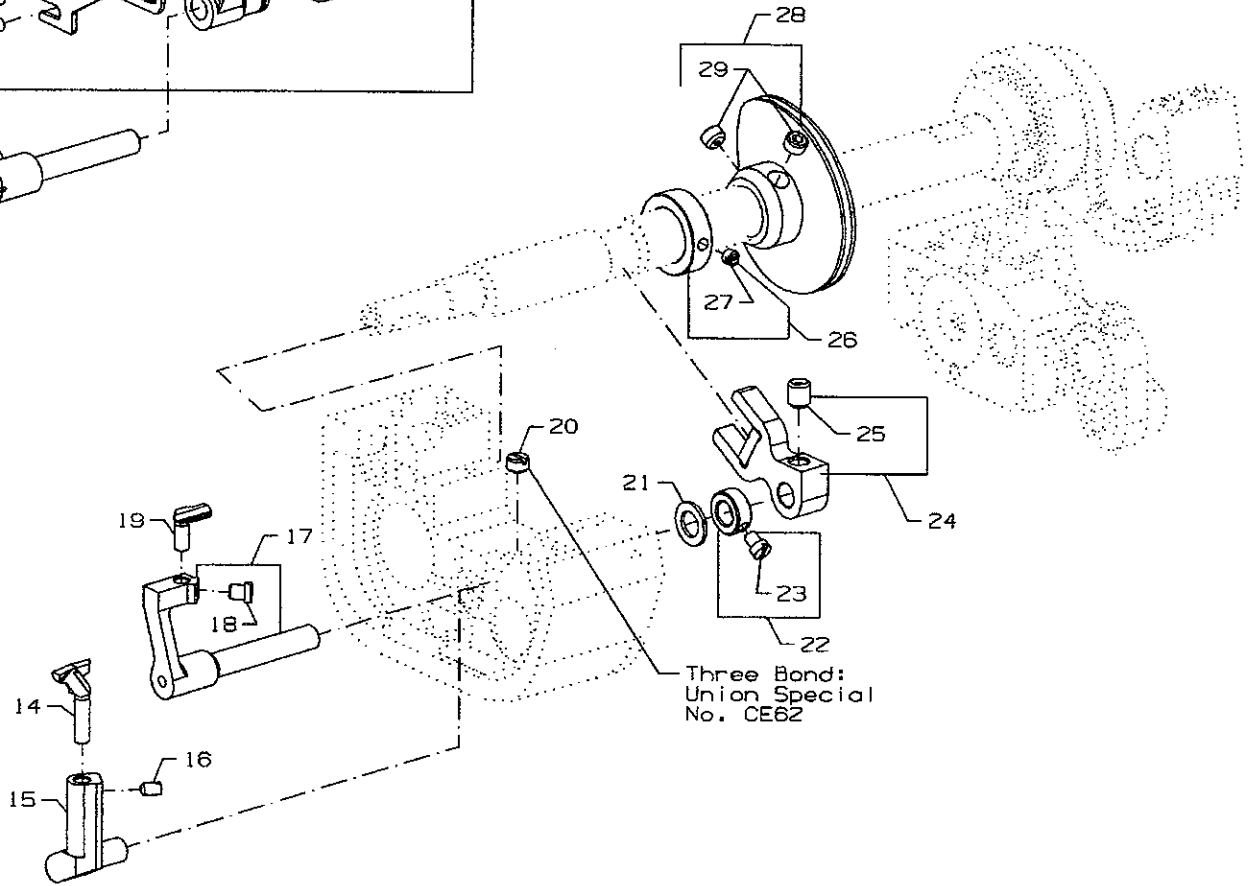
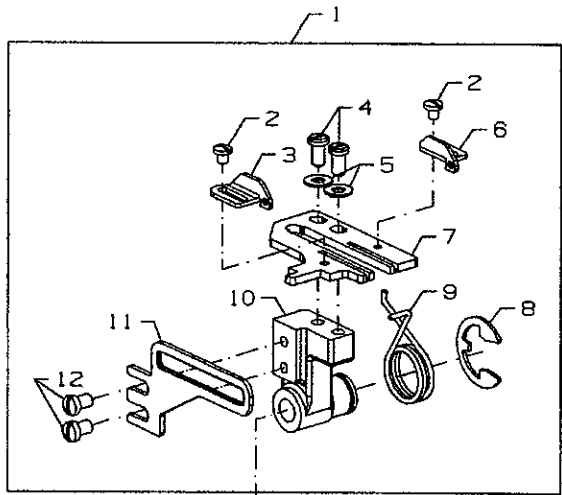
LUBRICATION OIL TUBING & OIL PUMP

Ref.No.	Juki Part No.	Description	Code	Amt.Req.
1.	US-0050393-HN	Oil Pump Assembly, 2 stage	50393HN	1
2.	US-0050393-GD	Oil Pump Housing, 2 Stage	50393GD	1
3.	US-0018214-70	Screw	18-1470	2
4.	US-0005033-2S	Spring, for plunger	50332S	2
5.	302-26609	Plunger	34393D	2
6.	US-0050393-GB	Oil Pump Housing, 2 Stage	50393GB	1
7.	US-0050393-EX	Collar	50393EX	1
8.	SS-8660612-TP	Screw	SS8660612TP	2
9.	SS-7120710-SP	Screw	SS7120710SP	2
10.	US-0029476-TR	Oil Supply Trough Assembly	29476TR	1
11.	301-42608	Nut	258A	1
12.	US-0050393-FH	Oil Supply Trough	50393FH	1
13.	300-74009	Washer	41350X	2
14.	300-73506	Connector Dual Feed	C50094B	1
15.	US-0050393-GT	Oil Tube Cover	50393GT	2
16.	US-0050393-HE	Plug Screw	50393HE	1
17.	US-0050393-FK	Tube	50393FK	1
18.	US-0029476-TS	Oil Supply Trough Assembly	29476TS	1
-	US-0029476-VL	Oil Supply Trough Assembly (For Puller Styles)	29476VL	1
19.	US-0050393-FF	Oil Tube	50393FF	1
19A.	US-0050393-KV	Oil Tube	50393KV	1
20.	US-0050393-FG	Oil Tube	50393FG	1
21.	US-0050393-GU	"T" Connector	50393GU	1
22.	US-0050393-FD	Oil Tube	50393FD	1
23.	US-0050393-FE	Oil Tube	50393FE	1
24.	US-0050393-LA	Oil Screen	50393LA	1
25.	US-0029476-TJ	Oil Filter Assembly	29476TJ	1
26.	302-37507	Stud	99349	1
27.	300-85807	"O" Ring	660-212	1
28.	302-25908	Oil Screen Felt	34393M	1
29.	302-25809	Oil Screen	34393L	1
30.	302-37408	Retaining Ring	96276	1
31.	US-0050393-HV	Oil Tube	50393HV	1
32.	300-59901	Gasket	34682C	1
33.	302-45302	Oil Filter	999-254J	1
34.	US-0050382-GS	Base Plate	50382GS	1
35.	300-76509	Plug Screw	22571E	1
36.	302-37200	Washer	95953	6
37.	302-37309	Screw	95406	6



LOOPER DRIVE

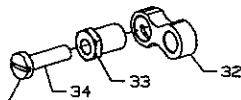
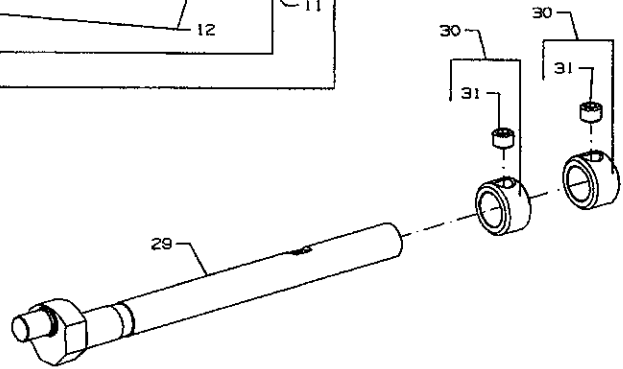
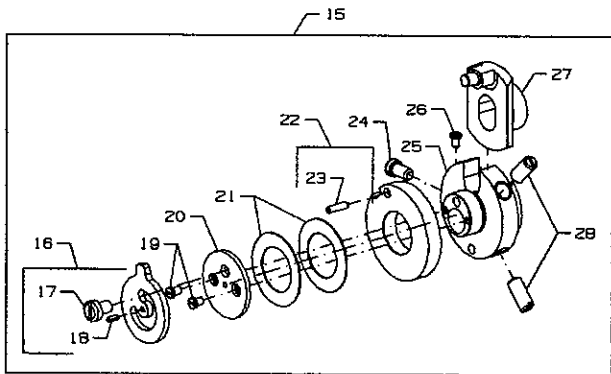
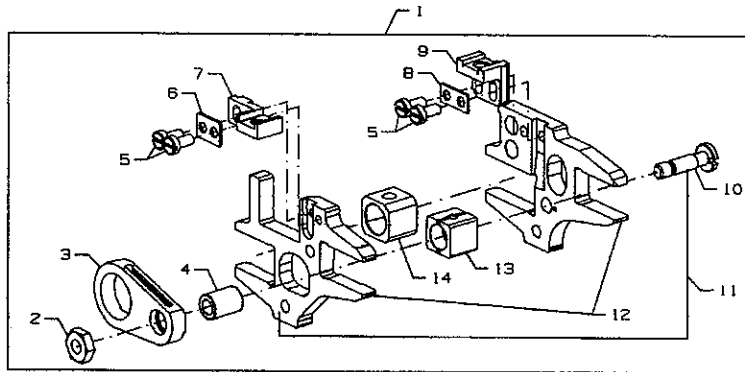
Ref.No.	Juki Part No.	Description	Code	Amt.Req.
1.	301-43101	Looper	34709D	1
2.	US-0000503-48	Holder, for looper	50348	1
3.	SS-6091022-TP	Screw	SS6091022TP	1
4.	SS-6090560-TP	Screw	SS6090560TP	1
5.	US-0005031-3T	Washer	50313T	1
6.	300-70908	Screw	22894C	2
7.	US-0050344-AG	Bushing	50344AG	1
8.	302-39909	Washer	99652A	2
9.	302-15909	Nut	9937	1
10.	US-0029476-VK	Looper Drive Assembly	29476VK	1
11.	US-0050343-RC	Bushing, for looper bar, right	50343RC	1
12.	302-29405	Cam Guide	34344A	1
13.	302-29909	Cam Follower	34344E	1
14.	US-0050344-BM	Bushing, for looper shaft	50344BM	1
15.	300-96705	Screw	22894W	1
16.	302-29504	Locking Clamp	39543E	1
17.	302-29603	Cam Guide Holder	34344D	1
18.	302-17103	Screw	22541B	1
19.	303-93706	Washer	51235G	1
20.	302-29702	Washer	34343C	1
21.	303-83806	Looper Rocker Lever	34642A	1
22.	302-48504	Washer	HA20B	1
23.	302-20008	Screw	22811B	1
24.	US-0005034-3B	Shaft, for looper	50343B	1
25.	302-88807	Cork	CO67D	1
26.	301-44406	Oil Seal Plug, front	34893	1
27.	301-44109	"O" Ring	661-253	1
28.	US-0005034-3C	Looper Rocker Shaft	50343C	1
29.	300-57707	Binder Collar	34342J	1
30.	301-43804	Screw	22652A12	1
31.	301-43903	Thrust Washer	56390H	2
32.	301-44000	Snap Ring	661-252	1
33.	US-0029105-BK	Looper Eccentric Assembly	29105BK	1
34.	302-21006	Drive Lever Crank	G29105F	1
35.	300-84602	Screw	22894X	3
36.	302-39503	Set Screw	99346	1
37.	US-0050335-BE	Looper Avoid Link	50335BE	1
38.	US-0005031-4G	Looper Avoid Eccentric	50314G	1
39.	SS-8660512-TP	Screw	SS8660512TP	1
40.	302-39800	Screw	99343	1



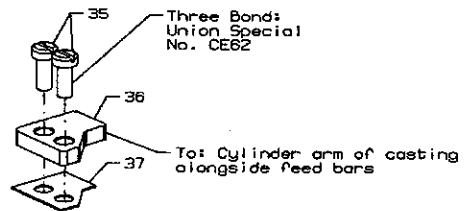
Three Bond:
Union Special
No. CE62

LOOPER THREAD TAKE -UP & NEEDLE GUARD

Ref.No.	Juki Part No.	Description	Code	Amt.Req.
1.	US-0029476-UA	Cast-Off Plate Assembly	29476UA	1
2.	SS-7060310-SP	Screw	SS7060310SP	2
3.	302-53900	Thread Guide, left	34358BA	1
4.	SS-4080620-TP	Screw	SS4080620TP	2
5.	WP-0320501-SC	Washer	WP0320501SC	2
6.	302-53801	Thread Guide, right	34358CA	1
7.	US-0050357-AK	Cast-Off Plate	50357AK	1
8.	RE-0900000-KO	Retaining Ring	RE0900000KO	1
9.	US-0050357-AH	Spring	50357AH	1
10.	US-0050367-AG	Holder	50357AG	1
11.	US-0005030-4M	Finger	50304M	1
12.	SS-7080520-SP	Screw	SS7080520SP	2
13.	US-0050357-AJ	Shaft, for cast-off	50357AJ	1
14.	US-0050325-AL	Needle Guard, front	50325AL	1
15.	US-0050325-AB	Holder, for needle guard, front	50325AB	1
16.	SS-8090540-SP	Screw	SS8090540SP	1
17.	US-0050325-AM	Holder, for needle guard, rear	50325AM	1
18.	SS-6090440-SP	Screw	SS6090440SP	1
19.	US-0050325-AN	Needle Guard, rear	50325AN	1
20.	300-10003	Screw	22580	1
21.	300-76103	Washer	6042A	1
22.	US-0005033-3H	Spacer	50333H	1
23.	302-11106	Screw	77A	1
24.	300-50306	Fork	34368	1
25.	300-84206	Screw	22894AD	1
26.	302-32003	Collar	34366	1
27.	300-88207	Screw	22743	1
28.	US-0005032-3S	Take Up	50323S	1
29.	302-26708	Screw	22894T	2

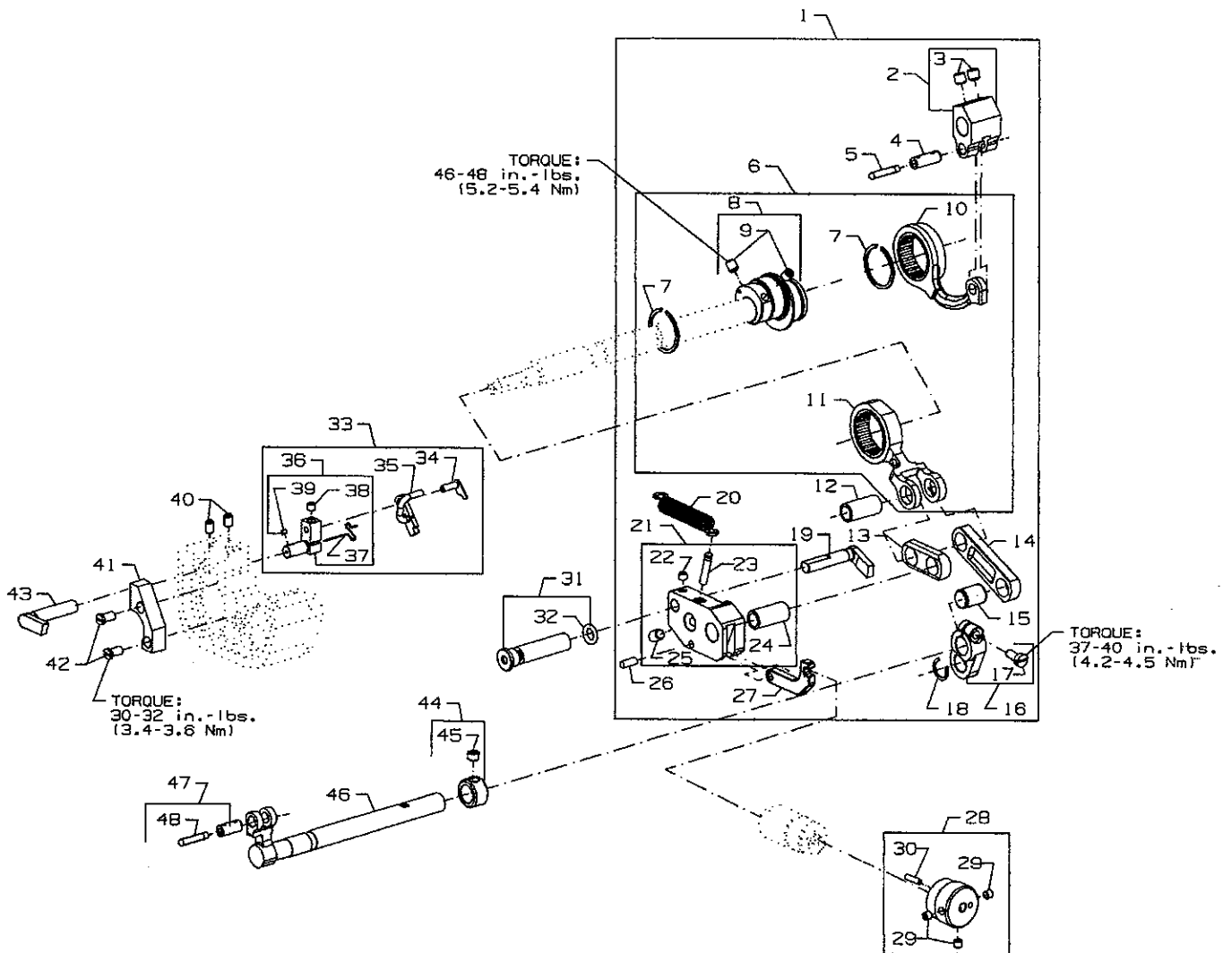


Torque:
20-22 in.-lbs
(2.3-2.5 Nm)



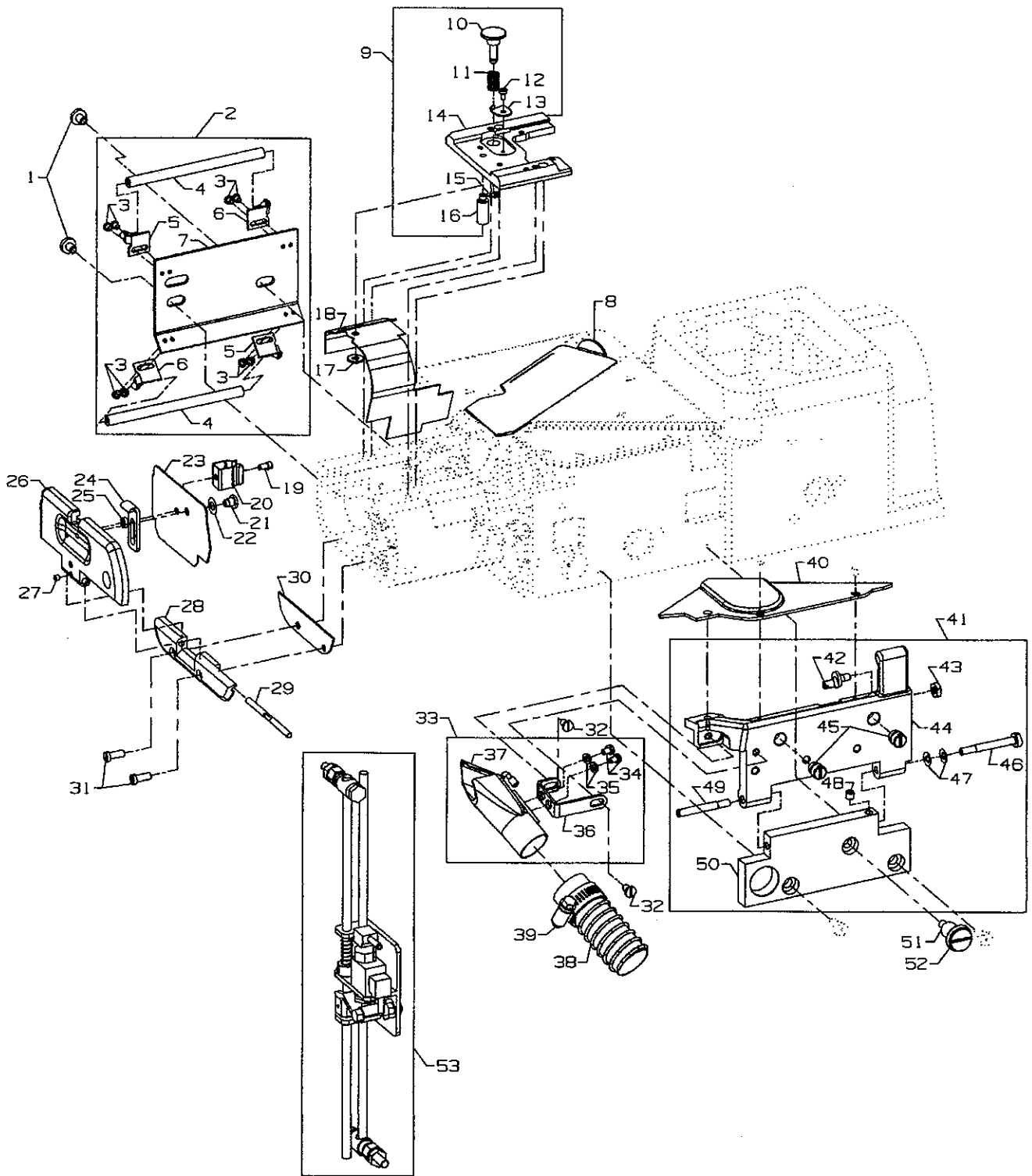
FEED DRIVE MECHANISM

Ref.No.	Juki Part No.	Description	Code	Amt.Req.
1.	302-22756	Feed Bar Assembly	G29476BV	1
2.	302-15909	Nut	9937	1
3.	302-23200	Drive Connection	34336N	1
4.	302-23101	Bushing	39536C	1
5.	302-57000	Screw	J87J	4
6.	US-0005038-6L	Thrust Plate, differential	50386L	1
7.	302-23309	Differential Feed Dog Holder	34353A	1
8.	US-0005038-6M	Thrust Plate, main	50386M	1
9.	302-23408	Main Feed Dog Holder	34353	1
10.	302-22806	Stud	34336U	1
11.	US-0029476-SH	Feed Bar Assembly	29476SH	1
12.	302-22707	Main and Differential Feed Bar	34334S	1
13.	302-22905	Feed Lift Slide Block	34338	1
14.	302-23507	Sliding Block	34338B	1
15.	302-23655	Eccentric Assembly	GA29477AP	1
16.	302-24208	Spacing Stop	34336S	1
17.	300-90500	Screw	90	1
18.	302-24307	Roll Pin	96663	1
19.	302-19307	Screw	22738B	2
20.	302-24109	Washer	34336RA	1
21.	302-24000	Disc Spring	97137	2
22.	300-58200	Cam Disc	34336V	1
23.	302-23903	Roll Pin	96667	1
24.	302-17806	Screw	22562A	1
25.	302-24406	Guide, for eccentric	34336Q	1
26.	302-19307	Screw	22738B	1
27.	300-58101	Eccentric	34340A	1
28.	302-16600	Screw	22503F	2
29.	US-0050322-BF	Feed Lift Shaft	50322BF	1
30.	302-30007	Collar	34335J	2
31.	300-84602	Set Screw	22894X	2
32.	302-30304	Differential Feed Drive Link	34336A	1
33.	302-30601	Eccentric Bushing	34337F	1
34.	302-20404	Screw	22874C	1
35.	302-89201	Screw	93	2
36.	302-30403	Feed Bar Guide	34335G	1
37.	302-30502	Gasket	34382H	1



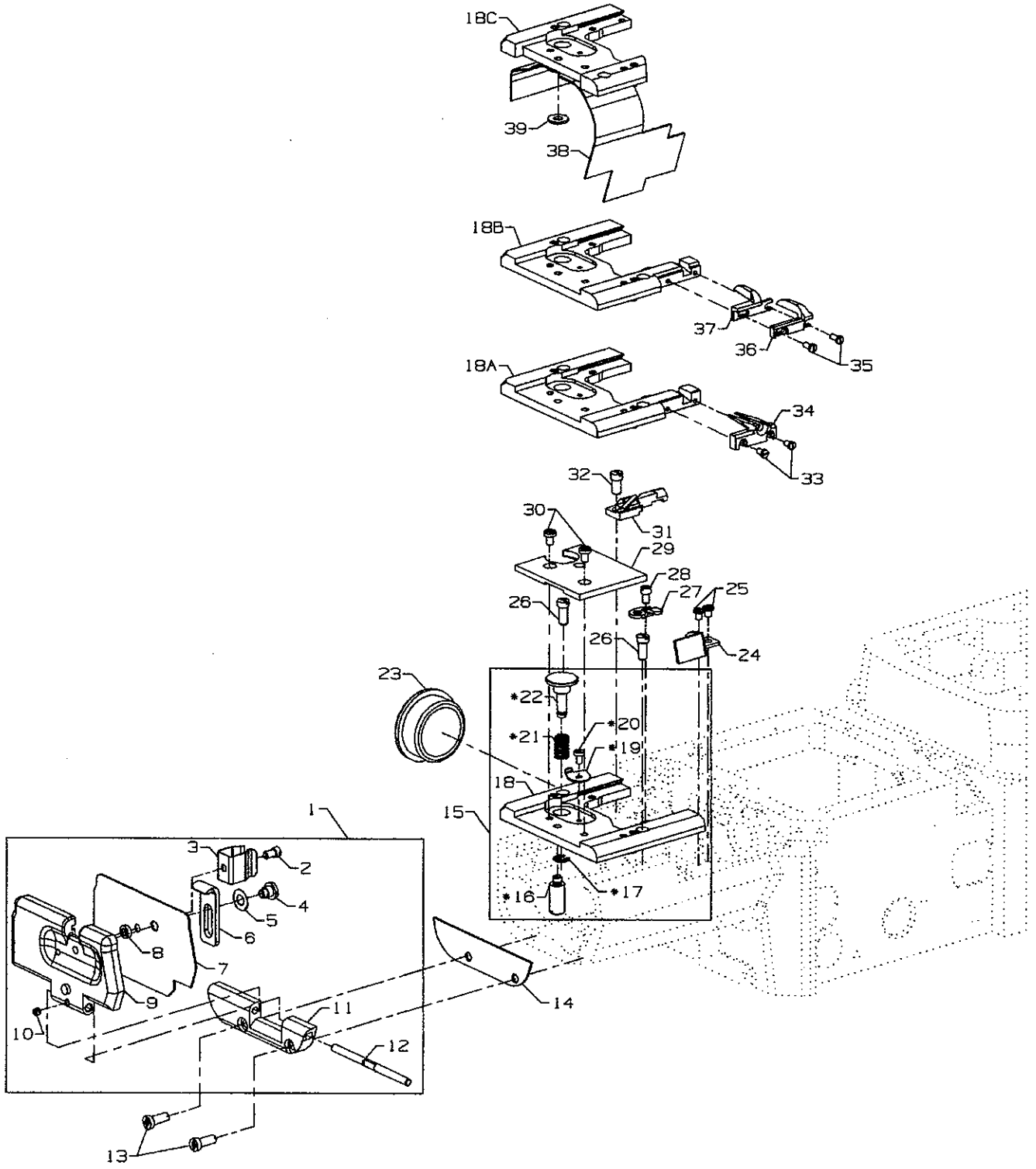
FEED DRIVE MECHANISM

Ref.No.	Juki Part No.	Description	Code	Amt.Req.
1.	US-0029476-XT	Feed Drive Assembly	29476XT	1
2.	US-0005036-7S	Feed Lifter Lever	50367S	1
3.	SS-8660612-TP	Set Screw	SS8660612TP	2
4.	302-21709	Link Pin	G51054	1
5.	302-40204	Felt Wick	666-149	1
6.	302-30759	Feed Bar Subassembly	29476SJ	1
7.	300-96309	Snap Ring	999-215	2
8.	302-30700	Double Eccentric	34306D	1
9.	300-84206	Screw	22894AD	2
10.	302-30809	Connecting Rod Link, for feed link	34335	1
11.	302-31005	Connecting Rod, for differential feed	34335A	1
12.	302-31104	Link Pin	34337	1
13.	302-31203	Pitman Rod	34337A	1
14.	302-31302	Connecting Rod	34337B	1
15.	US-0005034-7T	Link Pin	50347T	1
16.	302-31500	Differential Feed Drive Lever	34337CA	1
17.	SS-6121010-SP	Screw	SS6121010SP	1
18.	RC-0980615-K0	Shim Ring	RC0980615K0	1
19.	302-31807	Guide Stud	34335D	1
20.	302-40501	Spring	96719	1
21.	US-0005038-3Y	Bracket	50383Y	1
22.	SS-8110422-TP	Set Screw	SS8110422TP	1
23.	302-40303	Dowel Pin, Grooved	96865	1
24.	302-31104	Link Pin	34337	1
25.	SS-8150822-TP	Set Screw	SS8150822TP	1
26.	PH-0400104-U0	Hinge Pin	PH0400104U0	1
27.	US-0005036-7T	Lever	50367T	1
28.	US-0050337-AP	Knob	50337AP	1
29.	SS-8110422-TP	Set Screw	SS8110422TP	3
30.	B3125-470-000	Pin	B3215470000	1
31.	US-0005039-5T	Stud	50395T	1
32.	300-76707	"O" Ring	999-211E	1
33.	US-0029476-TP	Cast-Off Plate Release Assembly	29476TP	1
34.	302-34009	Stop	34363C	1
35.	302-33902	Pawl	34363B	1
36.	302-33605	Pawl Support	34363	1
37.	302-33803	Spring	34363A	1
38.	300-96705	Screw	22894W	1
39.	302-10702	Screw	28B	1
40.	305-44209	Set Screw	22894BD	2
41.	302-32706	Feed Bar Guide	34335H	1
42.	300-89304	Screw	22569G	2
43.	302-31807	Guide Stud	34335D	1
44.	302-30007	Collar	34335J	1
45.	300-84602	Screw	22894X	1
46.	302-32508	Feed Drive Shaft	34334A	1
47.	302-32607	Link Pin	34336P	1
48.	302-40204	Felt Wick	666-149	1



COVERS
FOR
MFCUE11, MFCUE61, MFCUE62

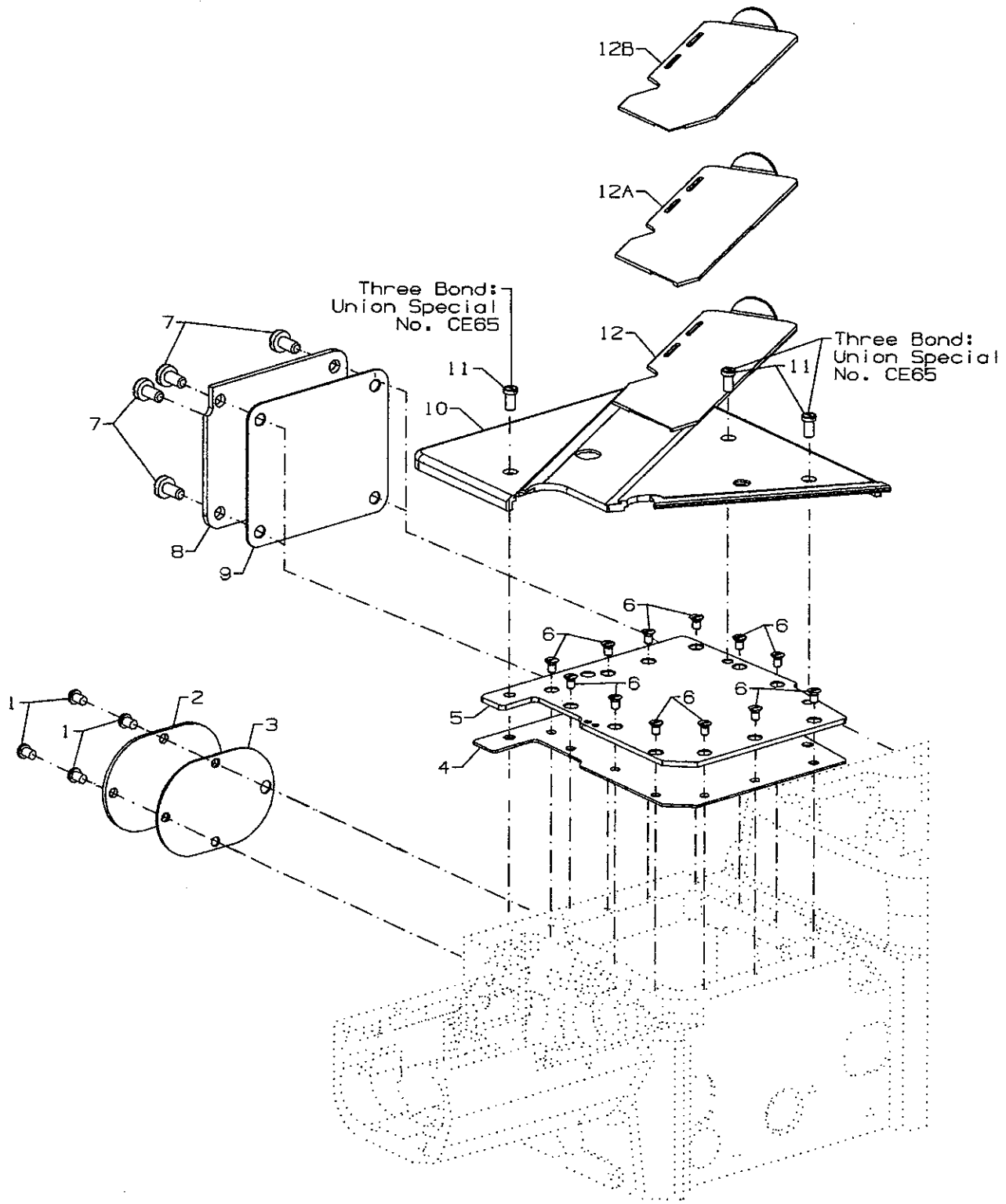
Ref.No.	Juki Part No.	Description	Code	Amt.Req.
1.	300-85401	Screw	25S	2
2.	US-0000503-89	Guide Roller Assembly	50389	1
3.	301-03204	Screw	22561	8
4.	301-77604	Guide Roller	34786D	2
5.	301-77505	Bracket, right	34786C	2
6.	301-77406	Bracket, left	34786B	2
7.	US-0005038-9A	Mounting Bracket	50389A	1
8.	US-0000503-02	Slide Cover	50302	1
9.	US-0029476-UN	Throat Plate Support Assembly	29476UN	1
10.	302-87809	Rest Bolt	34367	1
11.	302-38406	Spring	97014	1
12.	302-38703	Screw	95685	1
13.	302-87908	Safety Latch	34367B	1
14.	301-85508	Throat Plate Support	34780	1
15.	302-38604	"E" Ring	96277	1
16.	302-64105	Shank Screw	99364L	1
17.	302-87700	Washer	69H	1
18.	US-0005039-6G	Splash Guard	50396G	1
19.	302-52209	Screw	22562B	1
20.	302-47001	Latch Spring	99697J	1
21.	302-99205	Screw, for handle	22746	1
22.	302-53306	Washer	2165D-0.2	1
23.	US-0000503-4F	Gasket	50384F	1
24.	302-98509	Handle	34382W	1
25.	301-85706	Washer	C50063N	1
26.	US-0050382-HU	Cylinder Cover	50382HU	1
27.	305-44605	Set Screw	22894AY	1
28.	US-0050382-JA	Hinge, for cylinder cover	50382JA	1
29.	302-46508	Pin, for hinge	34382V	1
30.	302-46706	Gasket, for hinge	34382UA	1
31.	302-17103	Screw, for hinge	22541B	2
32.	302-57604	Screw	376	2
33.	302-90951	Suction Tube Assembly	34778GD	1
34.	300-90500	Screw	90	2
35.	302-57505	Washer	80265	1
36.	302-57406	Bracket	34778GF	1
37.	301-79105	Cover	G50-748D	1
38.	302-91207	Spiral Hose	99675QA-400	1
39.	US-000671C-23	Hose Clamp	671C23	1
40.	US-0050301-BW	Cloth Plate, front	50301BW	1
41.	US-0005035-4X	Swing Out Cloth Plate Support	50364X	1
42.	302-38802	Screw	99301A	1
43.	302-15909	Nut	9937	1
44.	US-0005036-4Y	Folder Support	50364Y	1
45.	302-39008	Stop Screw	99356	2
46.	302-38901	Screw	99350	1
47.	300-79701	Cup Spring	97127	2
48.	300-87407	Screw	95	1
49.	302-39107	Screw	99351	1
50.	US-0005036-4S	Hinge Plate	50364S	1
51.	302-63503	Screw	99392	1
52.	300-85807	Oil Ring	660-212	1
53.	301-79204	Treadle Assembly	29480ARN	1



COVERS LOWER BED- FRONT

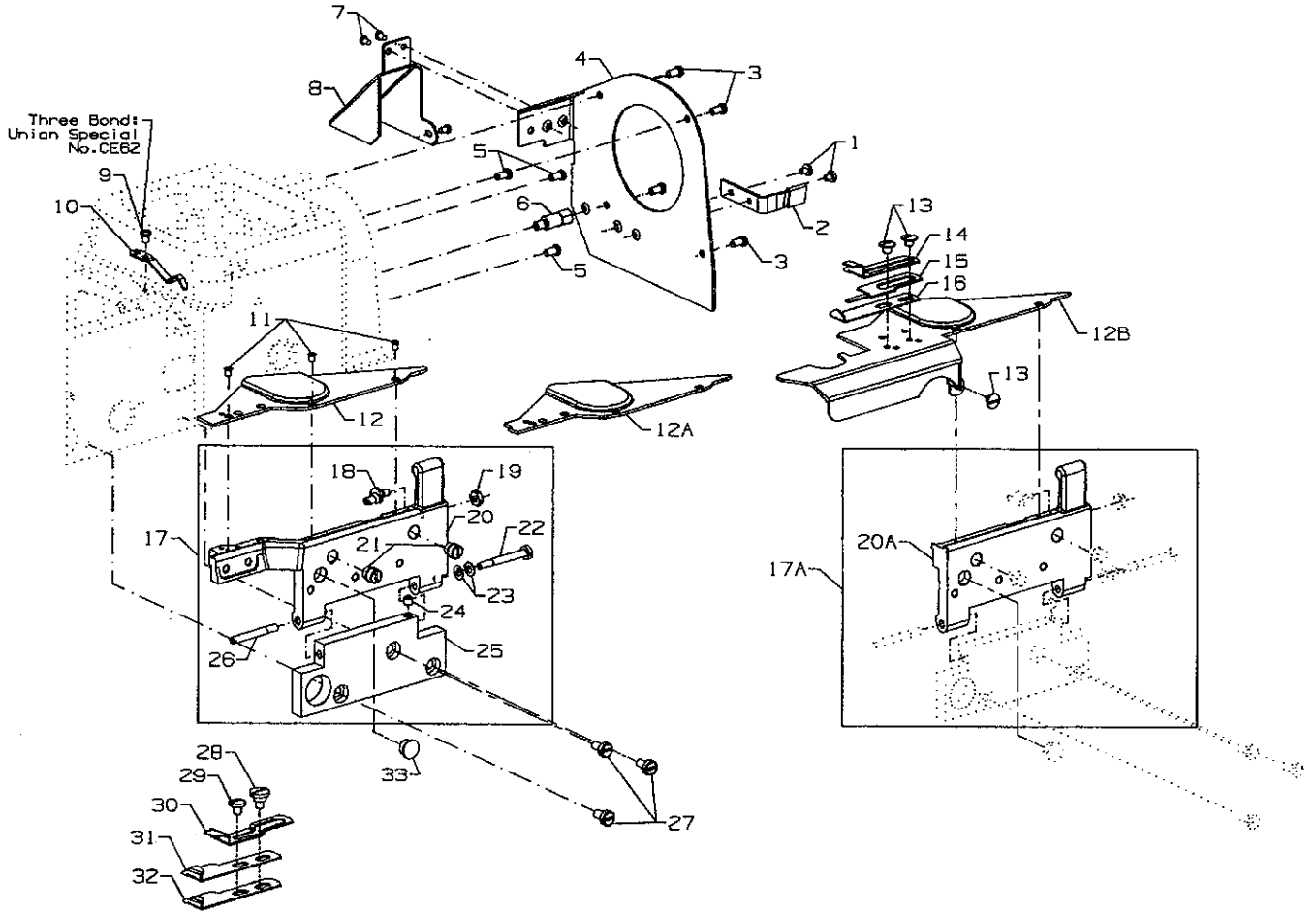
Ref.No.	Juki Part No.	Description	Code	Amt.Req.
1.	US-0029476-TU	Cylinder Cover Assembly	29476TU	1
2.	302-52209	Screw	22562B	1
3.	302-47001	Latch Spring	99697J	1
4.	302-99705	Screw, for handle	22746	1
5.	301-85003	Spring Washer, for handle	2165D-0.2	1
6.	302-98509	Handle	34382W	1
7.	US-0005038-4F	Gasket	50384F	1
8.	301-85706	Washer	C50063N	1
9.	US-0050382-FY	Cylinder Cover	50382FV	1
10.	305-44605	Screw	22894AY	1
11.	US-0050382-FU	Hinge, for cylinder cover	50382FU	1
12.	302-46508	Pin, for hinge	34382V	1
13.	302-17103	Screw, for hinge	22541B	2
14.	302-46706	Gasket, for hinge	34382UA	1
15.	US-0029476-TV	Throat Plate Support Assembly, for styles MFCUH01, MFCUH11, MFCUH12, MFCUU03	29476TV	1
*16.	302-64105	Shank Screw	99364L	1
*17.	302-38604	Retaining Ring	96277	1
18.	302-85001	Throat Plate Support, for styles MFCH01, MFCH11, MFCH12	34380	1
18A.	304-62105	Throat Plate Support, for styles MFCUK01	34780CA	1
18B.	301-72209	Throat Plate Support, for styles MFCUK02, MFCUU02	34780CB	1
18C.	301-72308	Throat Plate Support, for styles MFCUH21	34380T	1
*19.	302-87908	Safety Latch	34367B	1
*20.	302-38703	Screw	95685	1
*21.	302-38406	Spring	97014	1
*22.	302-87809	Stop Bolt	34367	1
23.	US-0050393-EU	Plug, for top	50393EU	1
24.	US-0050382-GV	Plate Cover	50382GV	1
25.	SS-6090420-SP	Screw, for plate cover	SS6090420SP	2
26.	302-11502	Screw	J79J	2
27.	302-98301	Support For Slide	34381A	1
28.	302-98103	Screw, for support for slide	91	1
29.	302-88005	Cover, for throat plate support	34367A	1
30.	300-90500	Screw	90	2
31.	301-47706	Rest for Slide	34381B	1
32.	302-11403	Screw, for rest for slide	79	1
33.	302-99408	Screw, for material guide, for styles MFCUK01	605C	1
34.	301-72100	Material Guide, for styles MFCUK01	34703CA	1
35.	US-0000060-5D	Screw, for material guides, for styles MFCUK02	605D	1
36.	303-83509	Material Guide, right, for styles MFCUK02, MFCUU02	34703B	1
37.	303-83400	Material Guide, left, for styles MFCUK02, MFCUU02	34703A	1
38.	US-0005039-6G	Splash Guard, for styles MFCUH21	50396G	1
39.	302-87700	Washer, for splash guard, for styles MFCUH21	69H	1

***NOTE:** For the throat plate support numbers 18A., 18B., 18C., asteric items must be ordered seperately to make a complete throat plate support assembly.



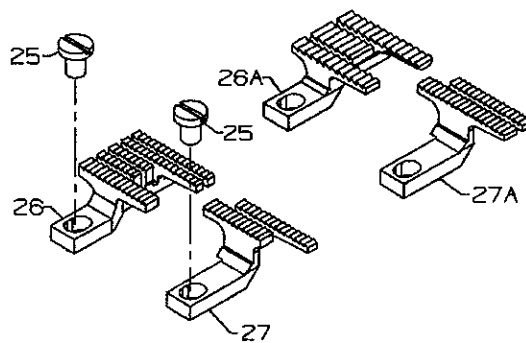
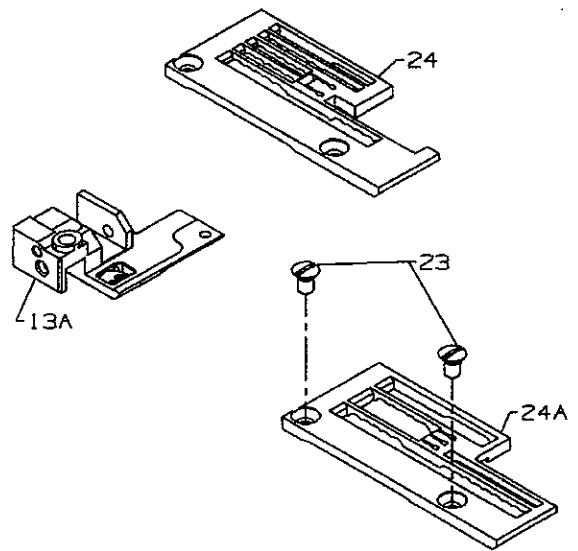
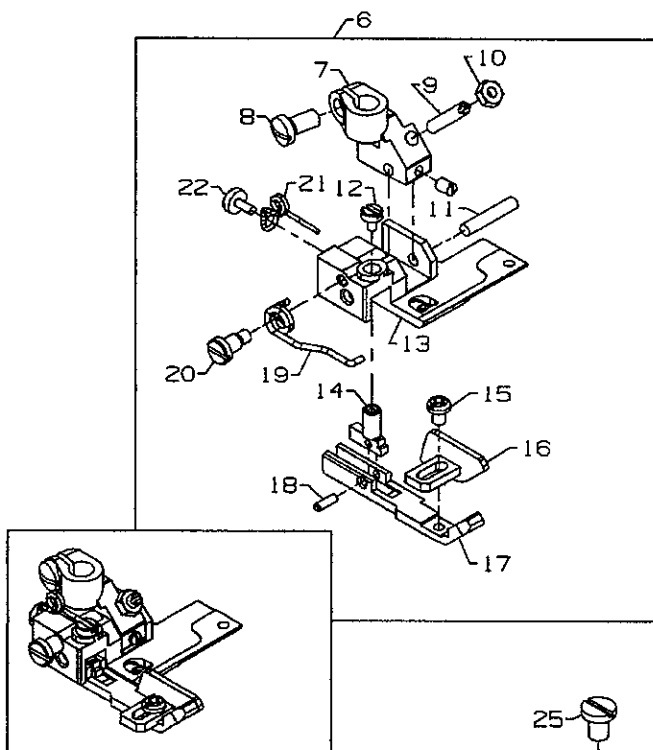
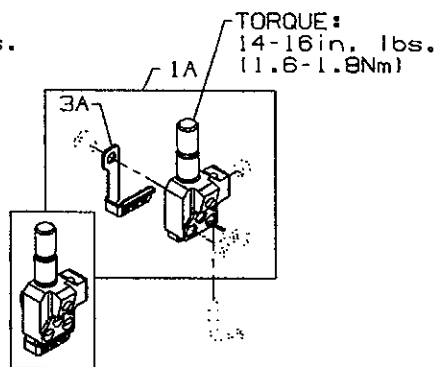
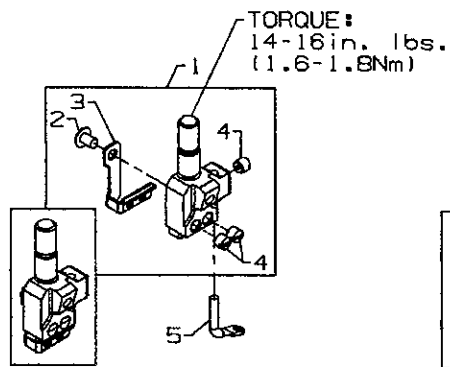
COVERS LOWER BED- MIDDLE

Ref.No.	Juki Part No.	Description	Code	Amt.Req.
1.	SS-4120615-SP	Screw	SS4120615SP	4
2.	300-82408	Plate	35082E	1
3.	300-82309	Gasket	35082F	1
4.	301-47805	Gasket, for oil reservoir cover	34382EA	1
5.	302-97907	Oil Reservoir Cover	34382J	1
6.	300-81400	Screw, for oil reservoir cover	87	12
7.	300-95608	Screw, for chamber cover	22548	4
8.	302-38000	Chamber Cover	56382D	1
9.	302-45906	Chamber Cover Gasket	34782C	1
10.	US-0050301-CP	Cloth Plate Assembly	50301CP	1
11.		Screw, for cloth plate	22569AH	3
12.	US-0050382-HX	Slide Cover, for styles MFCH01, MFCK01 MFCK02	50382HX	1
12A.	US-0005030-2D	Slide Cover, for styles MFCUH11, MFCUH12	50302D	1
12B.	US-0005030-2A	Slide Cover, for styles MFCUH21	50302A	1



COVERS LOWER BED - REAR

Ref.No.	Juki Part No.	Description	Code	Amt.Req.
1.	300-84909	Screw	22585C	2
2.	304-85007	Synchronizer Stop	34767K	1
3.	300-90302	Screw	22569C	4
4.	US-0005039-5J	Belt Guard	50395J	1
5.	302-19505	Screw	22757E	3
6.	US-0005039-5U	Spacer Stud	50395U	1
7.	SS-4090515-SP	Screw	SS4090515SP	3
8.	US-0050382-GR	Belt Guard	50382GR	1
9.	SM-4040655-SP	Screw	SM4040655SP	1
10.	302-88104	Latch Spring	43281K	1
11.	300-99600	Screw	22766	3
12.	US-0050301-BK	Cloth Plate	50301BK	1
12A.	US-0050364-VB	Cloth Plate, for styles MFCUH11, MFCUH12	50364VB	1
12B.	US-0050301-BX	Cloth Plate, for styles MFCUH21	50301BX	1
13.	302-19109	Screw, for cloth plate for styles MFCUH21	22730	3
14.	US-0034703-ZA	Folder Upper, for styles MFCUH21	34703ZA	1
15.	US-0003470-3Z	Folder, for styles MFCUH21	34703Z	1
16.	US-0034703-ZB	Folder Lower, for styles MFCUH21	34703ZB	1
17.	US-0029476-SA	Swing-Out Cloth Plate Support, for styles MFCUH01, MFCUH11, MFCUH12, MFCUK01, MFCUK02	29476SA	1
17A.	US-0029476-TA	Swing-Out Cloth Plate Support, for styles MFCUH21	29476TA	1
18.	302-38802	Eccentric Screw	99301A	1
19.	302-15909	Nut	9937	1
20.	US-0005036-4R	Cloth Plate Support, for styles MFCUH01, MFCUH11, MFCUH12, MFCUK01, MFCUK02	50364R	1
20A.	US-0005036-4Z	Cloth Plate Support, for styles MFCUH21	50364Z	1
21.	302-39008	Stop Screw	99356	2
22.	302-38901	Shoulder Screw	99350	1
23.	300-79701	Spring Washer	97127	2
24.	300-87407	Set Screw	95	1
25.	US-0005036-4S	Hinge Plate	50364S	1
26.	302-39107	Screw	99351	1
27.	300-95608	Screw	22548	3
28.	301-69908	Screw, for MFCUH01, MFCUH11, MFCUH12	22715A	1
29.	300-85401	Screw, for MFCUH01, MFCUH11, MFCUH12	25S	1
30.	303-86403	Hemmer, upper, for styles MFCUH01, MFCUH11, MFCUH12	34703F3	1
31.	302-34405	Hemmer, lower, for styles MFCUH01, MFCUH11, MFCUH12	34703F1	1
32.	302-99903	Hemmer, lower, for styles MFCUH01, MFCUH11, MFCUH12	34703FA1	1
33.	TA-1100604-R0	Plug	TA1100604R0	1



SEWING PARTS
FOR
MFCUE11, MFCUE61, MFCUE62

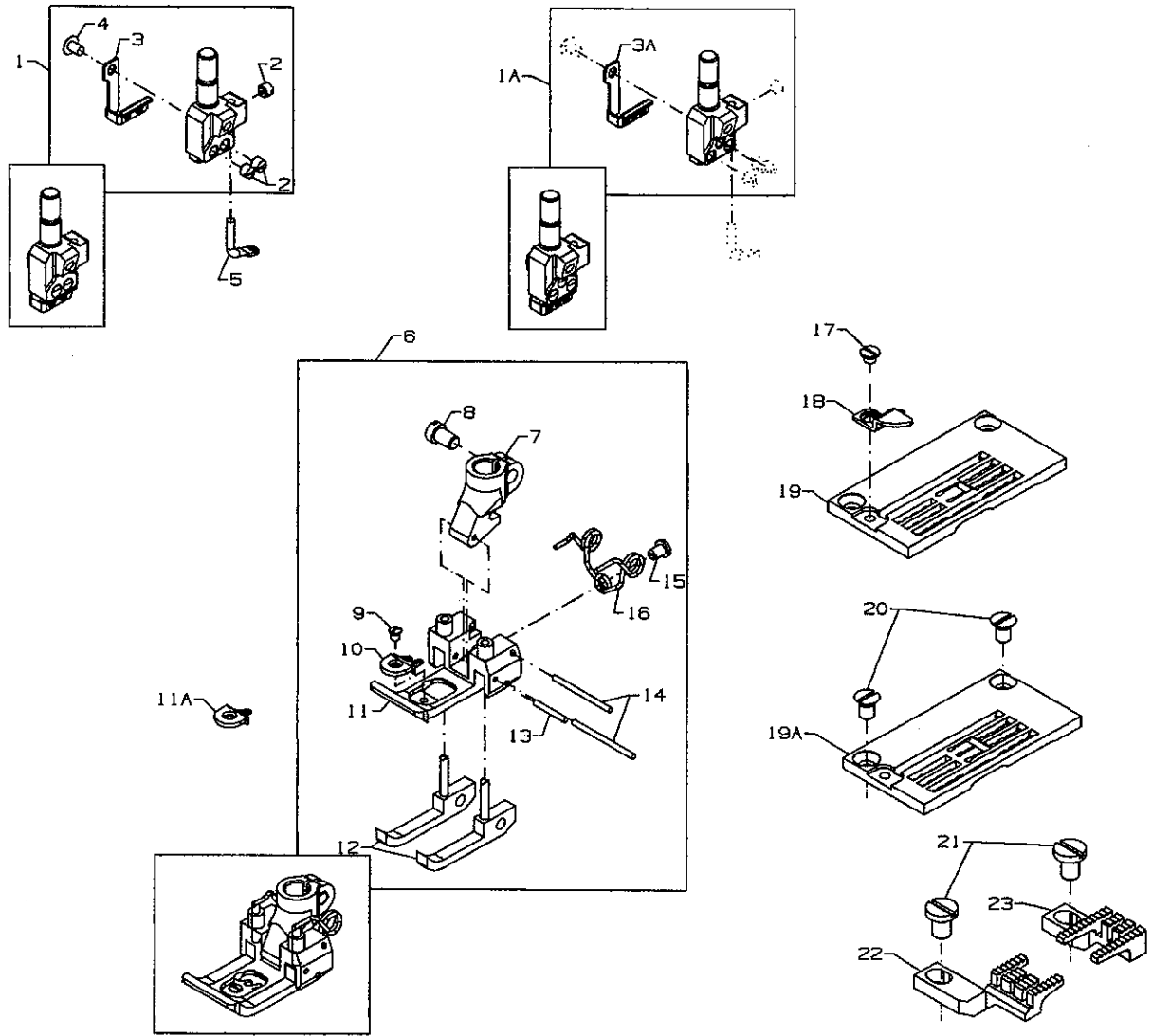
Ref.No.	Juki Part No.	Description	Code	Amt.Req.
1.	-----	Needle Head, for sewing comb., on two needle machines (see chart)	-----	1
1A.	-----	Needle Head, for sewing comb., on three needle machines (see chart)	-----	1
2.	SS-8080310-TP	Screw	SS8080310TP	1
3.	US-50318AE-40	Eyelet, for sewing comb., on two needle machines	50318AE40	1
3A.	US-50318AE-56	Eyelet, for sewing comb., on three needle machines	50318AE56	1
4.	SS-5060410-SP	Screw	SS5060410SP	3/4
5.	301-11504	Needle Thread Eyelet	50392G	1
6.	-----	Presser Foot Assembly, for sewing comb., on two needle machines (see chart)	-----	1
6A.	-----	Presser Foot Assembly, for sewing comb., on three needle machines (see chart)	-----	1
7.	301-76200	Shank	34730C	1
8.	302-98103	Screw	91	1
9.	301-68108	Screw	22565E	1
10.	302-66001	Nut	51430F	1
11.	302-74500	Screw	99373A	1
12.	302-67801	Washer	95956	1
13.	301-65302	Screw	22799B	1
14.	302-60905	Edge Guide	34830LA	1
15.	302-58602	Screw	187A	1
16.	301-85409	Presser Foot Bottom, for sewing comb. CE11-2D40	34730TB10	1
-	-----	Presser Foot Bottom, for sewing comb. CE11-2D48	-----	1
16A.	US-34730TB-64	Presser Foot Bottom, for sewing comb.; CE11-3D56, CE11-3D64	34730TB64	1
17.	301-78701	Spring	97002	1
18.	301-76101	Yielding Section	34730B	1
19.	301-78503	Spring	52730Y	1
20.	301-65104	Shoulder Screw	57WD	1
21.	301-70302	Torsion Spring	97109	1
22.	301-33300	Screw	605	1
23.	300-81400	Screw	87	2
24.	-----	Throat Plate, for two needle machines (see chart)	-----	1
24A.	-----	Throat Plate, for three needle machines (see chart)	-----	1
25.	302-40006	Screw	99293	2
26.	-----	Main Feed Dog, for two needle machines (see chart)	-----	1
26A.	-----	Main Feed Dog, for three needle machines (see chart)	-----	1
27.	-----	Differential Feed Dog, for two needle machines (see chart)	-----	1
27A.	-----	Differential Feed Dog, for three needle machines (see chart)	-----	1

SEWING CHART
FOR
MFCUE11

	MODEL	NEEDLE HEAD	PRESSER FOOT ASSEMBLY	FEED DOG DIFFERENTIAL	FEED DOG MAIN	THROAT PLATE
1	MFC-7406U-E11-D42	US50318AK40 (50318AK40)	US-34720TB-40 (34720TB40)	301-86209 (34726TB10)	301-86100 (34705BW)	301-85904 (34724TB40)
2	MFC-7406U-E11-D48	US50318AK48 (50318AK48)	US-34720TB-48 (34720TB48)			301-86001 (34724TB48)
3	MFC-7406U-E11-D56	US50318AK56 (50318AK56)	US-34724TB-64 (34724TB64)	301-72803 (34726TB16)	301-53001 (34705TB)	US-34724TB-56 (34724TB56)
4	MFC-7406U-E11-D64	US50318AK64 (50318AK64)				US-34724-TB64 (34724TB64)
5	MFC-7605U-E11-D40	US50318AK40 (50318AK40)	US-34720TB-40 (34720TB40)	301-86209 (34726TB10)	301-86100 (34705BW)	301-85904 (34724TB40)
6	MFC-7605U-E11-D48	US50318AK48 (50318AK48)	US-34720TB-48 (34720TB48)			301-86001 (34724TB48)
7	MFC-7605U-E11-D56	US50318AK56 (50318AK56)	US-34724TB-64 (34724TB64)	301-72803 (34726TB16)	301-53001 (34705TB)	US-34724TB-56 (34724TB56)
8	MFC-7605U-E11-D64	US50318AK64 (50318AK64)				US-34724-TB64 (34724TB64)

SEWING CHART
FOR
MFCUE61, MFCUE62

	MODEL	NEEDLE HEAD	PRESSER FOOT ASSEMBLY	FEED DOG DIFFERENTIAL	FEED DOG MAIN	THROAT PLATE
1	MFC-7406U-E61-D40	US50318AK40 (50318AK40)	US-34720TB-40 (34720TB40)	301-86209 (34726TB10)	301-86100 (34705BW)	301-85904 (34724TB40)
2	MFC-7406U-E61-D48	US50318AK48 (50318AK48)	US-34720TB-48 (34720TB48)			301-86001 (34724TB48)
3	MFC-7406U-E61-D56	US50318AK56 (50318AK56)	US-34724TB-64 (34724TB64)	301-72803 (34726TB16)	301-53001 (34705TB)	US-34724TB-56 (34724TB56)
4	MFC-7406U-E61-D64	US50318AK64 (50318AK64)				US-34724-TB64 (34724TB64)
5	MFC-7605U-E61-D40	US50318AK40 (50318AK40)	US-34720TB-40 (34720TB40)	301-86209 (34726TB10)	301-86100 (34705BW)	301-85904 (34724TB40)
6	MFC-7605U-E61-D48	US50318AK48 (50318AK48)	US-34720TB-48 (34720TB48)			301-86001 (34724TB48)
7	MFC-7605U-E61-D56	US50318AK56 (50318AK56)	US-34724TB-64 (34724TB64)	301-72803 (34726TB16)	301-53001 (34705TB)	US-34724TB-56 (34724TB56)
8	MFC-7605U-E61-D64	US50318AK64 (50318AK64)				US-34724-TB64 (34724TB64)
9	MFC-7406U-E62-D40	US50318AK40 (50318AK40)	US-34720TB-40 (34720TB40)	301-86209 (34726TB10)	301-86100 (34705BW)	301-85904 (34724TB40)
10	MFC-7406U-E62-D48	US50318AK48 (50318AK48)	US-34720TB-48 (34720TB48)			301-86001 (34724TB48)
11	MFC-7406U-E62-D56	US50318AK56 (50318AK56)	US-34724TB-64 (34724TB64)	301-72803 (34726TB16)	301-53001 (34705TB)	US-34724TB-56 (34724TB56)
12	MFC-7406U-E62-D64	US50318AK64 (50318AK64)				US-34724-TB64 (34724TB64)
13	MFC-7605U-E62-D40	US50318AK40 (50318AK40)	US-34720TB-40 (34720TB40)	301-86209 (34726TB10)	301-86100 (34705BW)	301-85904 (34724TB40)
14	MFC-7605U-E62-D48	US50318AK48 (50318AK48)	US-34720TB-48 (34720TB48)			301-86001 (34724TB48)
15	MFC-7605U-E62-D56	US50318AK56 (50318AK56)	US-34724TB-64 (34724TB64)	301-72803 (34726TB16)	301-53001 (34705TB)	US-34724TB-56 (34724TB56)
16	MFC-7605U-E62-D64	US50318AK64 (50318AK64)				US-34724-TB64 (34724TB64)

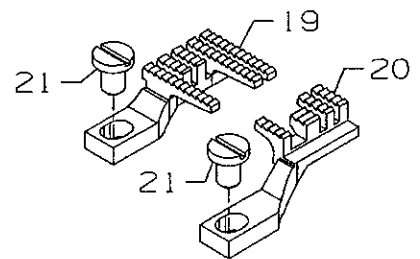
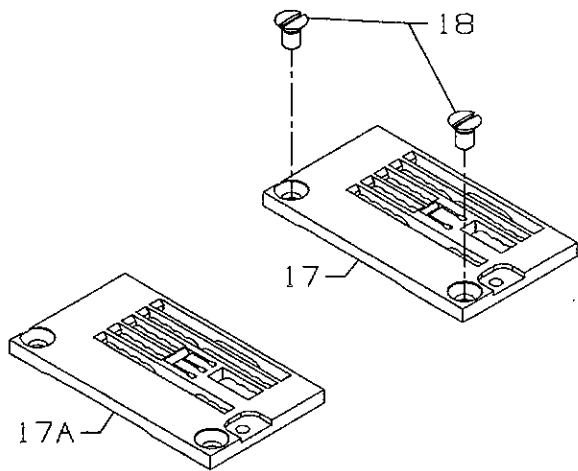
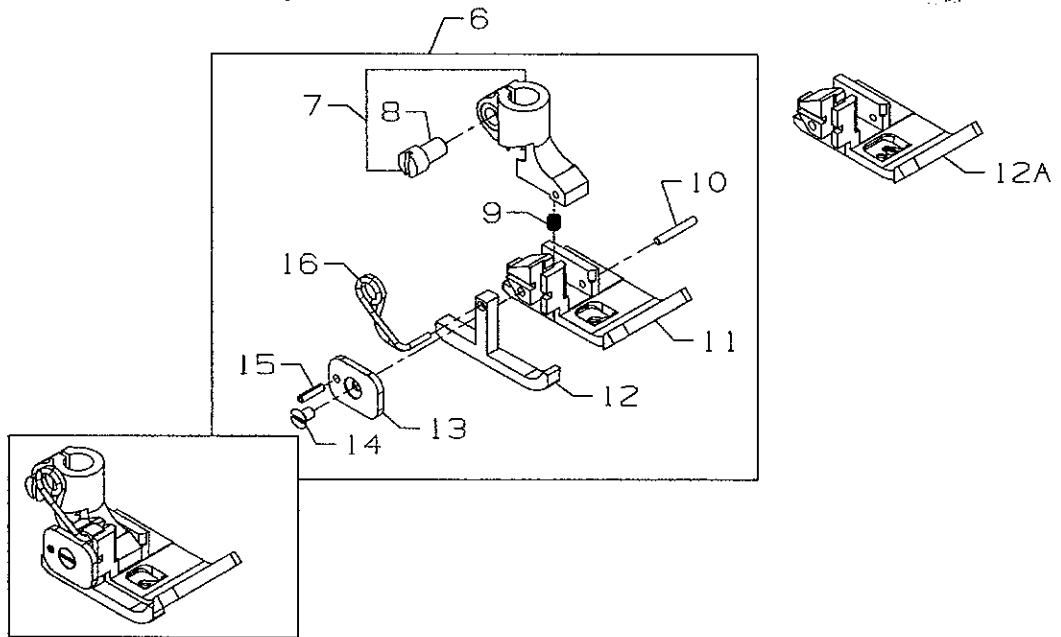
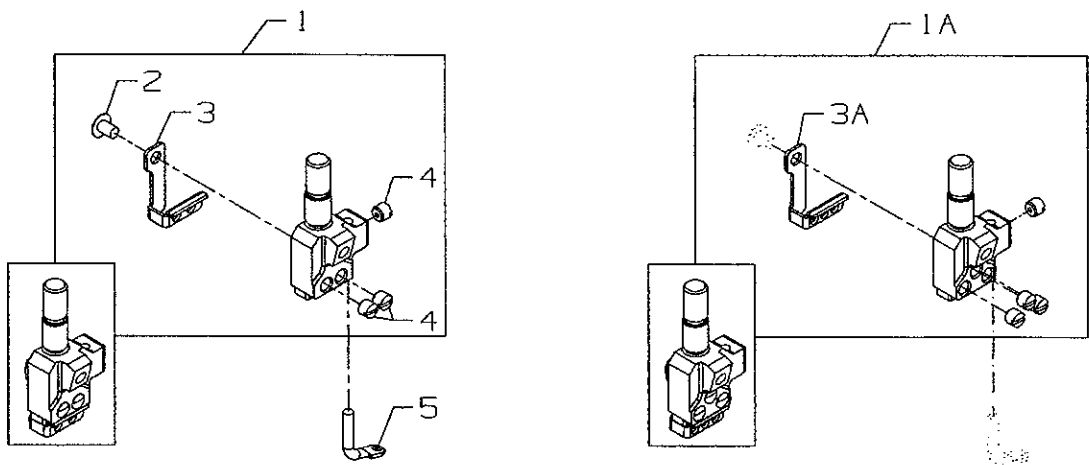


	MODEL	NEEDLE HEAD	PRESSER FOOT ASSEMBLY	FEED DOG DIFFERENTIAL	FEED DOG MAIN	THROAT PLATE
1	MFC-7406U-H01-D40	US50318AK40 (50318AK40)	301-20455 (50320AH)			US-50324BL-40 (50324BL40)
2	MFC-7406U-H01-C40					302-81505 (34724F10)
3	MFC-7406U-H01-A48	US50318AK48 (50318AK48)	304-85353 (50320T48)			US-50328BL-48 (50328BL48)
4	MFC-7406U-H01-C48					US-050324F-48 (50324F48)
5	MFC-7406U-H01-A56	US50318AK56 (50318AK56)	304-85452 (50320T60)			US-50324BL-56 (50324BL56)
6	MFC-7406U-H01-B56					US-50324BS-56 (50324BS56)
7	MFC-7406U-H01-C56					302-81604 (34724F56)
8	MFC-7406U-H01-A64	US50318AK64 (50318AK64)				US-50324BL-64 (50324BL64)
9	MFC-7406U-H01-B64					US-50324BS-64 (50324BS64)
10	MFC-7406U-H01-C64					US-034724F-64 (34724F64)

SEWING PARTS
FOR
MFCUH01

Ref.No.	Juki Part No.	Description	Code	Amt.Req.
1.	-----	Needle Head, on two needle machines, (see chart)	-----	1
1A.	-----	Needle Head, on three needle machines, (see chart)	-----	1
2.	SS-8080310-TP	Set Screw	SS8080310TP	3/4
3.	US-50318AE-40	Eyelet, for .040, .048 gauges (see chart)	50318AE40	1
3A.	US-50318AE-56	Eyelet, for .056, .064 gauges (see chart)	50318AE56	1
4.	SS-5060410-SP	Screw	SS5060410SP	1
5.	301-11504	Needle Thread Eyelet	50392G	1
6.	-----	Presser Foot Assembly, for sewing comb., (see chart)	-----	1
7.	301-26700	Presser Foot Shank	G65-134	1
8.	302-98103	Screw	91	1
9.	303-02608	Bushing	G50-266	2
10.	300-98003	Screw	22716A	1
11.	US-050397A-48	Stitch Tongue, for .048 gauge	50397A48	1
11A.	301-20307	Stitch Tongue, for .040 gauge	50397C	1
-	301-50106	Stitch Tongue, for .056, .064 gauges	50397A16	1
12.	301-26809	Presser Foot Bottom	50330BL16	1
13.	301-26908	Yielding Section	57830A	2
14.	301-50205	Drill Rod	6-25-55	3
15.	301-33300	Screw	605	1
16.	301-33409	Spring	79633	1
17.	301-85805	Screw	HT2C	1
18.	301-85201	Throat Plate Edge Guide	34703W2.3	1
-	301-85300	Throat Plate Edge Guide	34703W4.3	1
19.	-----	Throat Plate, for two needle machines (see chart)	-----	1
19A.	-----	Throat Plate, for three needle machines (see chart)	-----	1
20.	300-81400	Screw, for throat plate	87	2
21.	302-40006	Screw, for feed dogs	99293	1
22.	-----	Differential Feed Dog (see chart)	-----	2
23.	-----	Main Feed Dog (see chart)	-----	1

	MODEL	NEEDLE HEAD	PRESSER FOOT ASSEMBLY	FEED DOG DIFFERENTIAL	FEED DOG MAIN	THROAT PLATE
1	MFC-7605U-H01-D40	US50318AK40 (50318AK40)	301-20455 (50320AH)	300-51601 (34726F)	300-51700 (34705F)	US-50324BL-40 (50324BL40)
2	MFC-7605U-H01-C40					302-81505 (34724F10)
3	MFC-7605U-H01-A48	US50318AK48 (50318AK48)	304-85353 (50320T48)			US-50328BL-48 (50328BL48)
4	MFC-7605U-H01-C48					US-050324F-48 (50324F48)
5	MFC-7605U-H01-A56					US-50324BL-56 (50324BL56)
6	MFC-7605U-H01-B56	US50318AK56 (50318AK56)				US-50324BS-56 (50324BS56)
7	MFC-7605U-H01-C56		304-85452 (50320T60)			302-81604 (34724F56)
8	MFC-7605U-H01-A64					US-50324BL-64 (50324BL64)
9	MFC-7605U-H01-B64	US50318AK64 (50318AK64)				US-50324BS-64 (50324BS64)
10	MFC-7605U-H01-C64					US-034724F-64 (34724F64)



SEWING PARTS
FOR
MFCUH11, MFCUH12

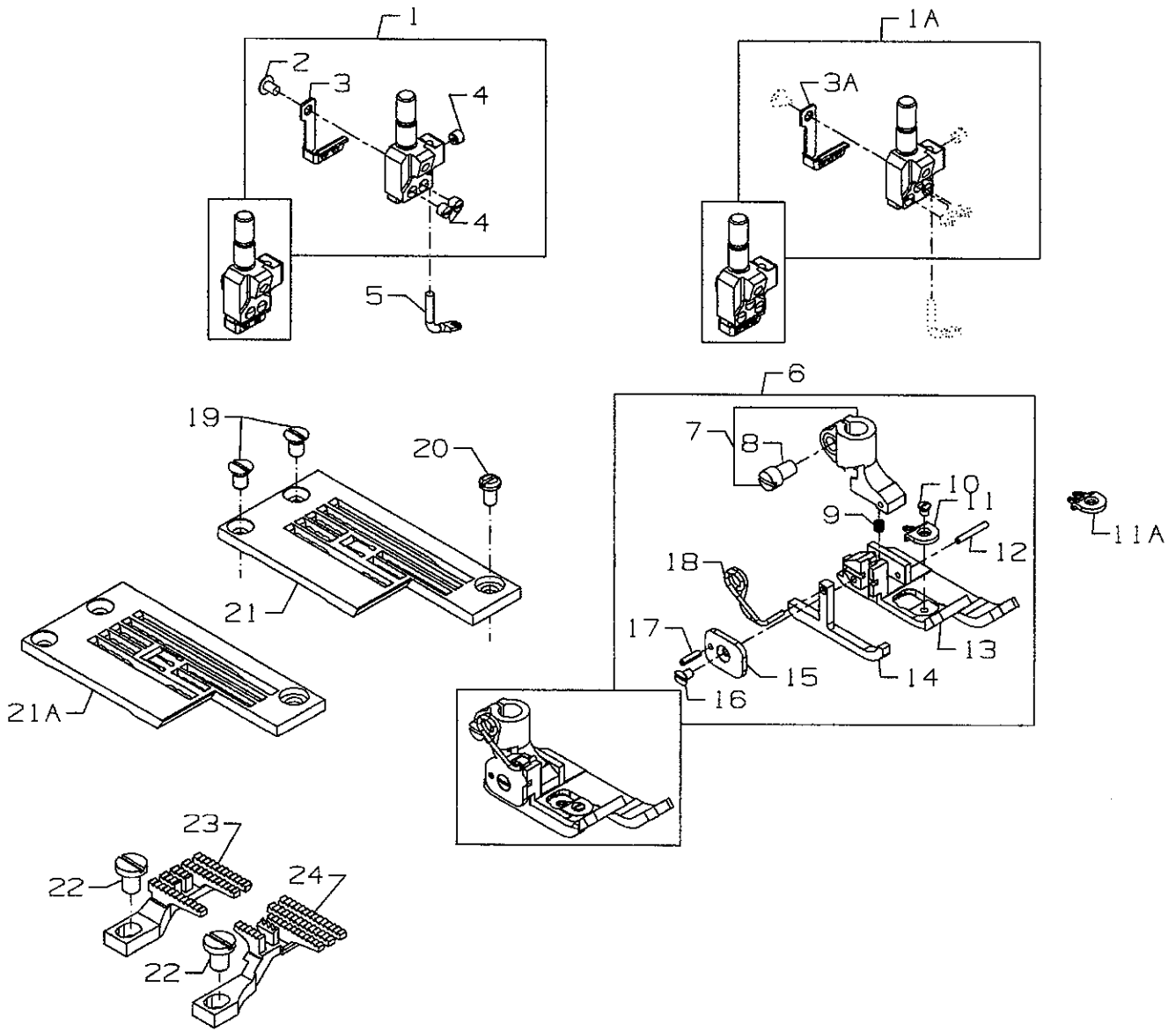
Ref.No.	Juki Part No.	Description	Code	Amt.Req.
1.	-----	Needle Head, for two needle machines (see chart)	-----	1
1A.	-----	Needle Head, for three needle machines (see chart)	-----	1
2.	SS-5060410-SP	Screw	SS5060410SP	1
3.	US-50318AE-40	Needle Eyelet, for .040, .048 gauges	50318AE40	1
3A.	US-50318AE-56	Needle Eyelet, for .056, .064 gauges	50318AE56	1
4.	SS-8080310-TP	Screw	SS8080310TP	3 / 4
5.	301-11504	Needle Thread Eyelet	50392G	1
6.	-----	Presser Foot Assembly, for .040, .048 gauges (see chart)	-----	1
-	-----	Presser Foot Assembly, for .056, .064 gauges (see chart)	-----	1
7.	304-82509	Shank	G57730GB	1
8.	302-98103	Screw	91	1
9.	304-82707	Pressure Spring	39568J	1
10.	301-81408	Pin	6-25-1.5mm	1
11.	US-50330BH-40	Presser Foot Bottom, for .040, .048 gauges	50330BH40	1
11A.	US-50330BH-64	Presser Foot Bottom, for .056, .064 gauges	50330BH64	1
12.	304-82806	Yielding Section	34730A	1
13.	304-82608	Plate	G57730GC	1
14.	302-19000	Screw	22716	1
15.	302-64204	Roll Pin	96651	1
16.	302-76703	Torsion Spring	G57730GD	1
17.	-----	Throat Plate, for two needle machines (see chart)	-----	1
17A.	-----	Throat Plate, for three needle machines (see chart)	-----	1
18.	303-81400	Screw, for throat plates	87	2
19.	-----	Main Feed Dog (see chart)	-----	1
20.	-----	Differential Feed Dog (see chart)	-----	1
21.	302-40006	Screw, for feed dogs	99293	2

SEWING CHART
FOR
MFCUH11

	MODEL	NEEDLE HEAD	PRESSER FOOT ASSEMBLY	FEED DOG DIFFERENTIAL	FEED DOG MAIN	THROAT PLATE
1	MFC-7406U-H11-A40/PL1	US50318AK40 (50318AK40)	US-50320BE-40 (50320BE40)	300-52805 (34726DG)	303-73609 (34705DG)	US-50324CJ-40 (50324CJ40)
2	MFC-7406U-H11-C40/PL1					301-73009 (34724E10)
3	MFC-7406U-H11-A48/PL1	US50318AK48 (50318AK48)				US-50324CJ-48 (50324CJ48)
4	MFC-7406U-H11-C48/PL1					US-034724E-48 (34724E48)
5	MFC-7406U-H11-A56/PL1	US50318AK56 (50318AK56)	US-50324CK-56 (50324CK56)			
6	MFC-7406U-H11-B56/PL1		US-50324CL-56 (50324CL56)			
7	MFC-7406U-H11-C56/PL1		US-034724E-56 (34724E56)			
8	MFC-7406U-H11-A64/PL1	US50318AK64 (50318AK64)	US-50320BF64 (50320BF64)			
9	MFC-7406U-H11-B64/PL1		US-50324CK-64 (50324CK64)			
10	MFC-7406U-H11-C64/PL1		US-50324CL-64 (50324CL64)			
11	MFC-7605U-H11-A40/PL1	US50318AK40 (50318AK40)	US-50320BE-40 (50320BE40)			US-034724E-64 (34724E64)
12	MFC-7605U-H11-C40/PL1					US-50324CJ-40 (50324CJ40)
13	MFC-7605U-H11-A48/PL1	US50318AK48 (50318AK48)				301-73009 (34724E10)
14	MFC-7605U-H11-C48/PL1					US-50324CJ-48 (50324CJ48)
15	MFC-7605U-H11-A56/PL1	US50318AK56 (50318AK56)	US-034724E-48 (34724E48)			
16	MFC-7605U-H11-B56/PL1		US-50324CK-56 (50324CK56)			
17	MFC-7605U-H11-C56/PL1		US-50324CL-56 (50324CL56)			
18	MFC-7605U-H11-A64/PL1	US50318AK64 (50318AK64)	US-50320BF64 (50320BF64)			
19	MFC-7605U-H11-B64/PL1		US-034724E-56 (34724E56)			
20	MFC-7605U-H11-C64/PL1		US-50324CK-64 (50324CK64)			
						US-50324CL-64 (50324CL64)
						US-034724E-64 (34724E64)

SEWING CHART
FOR
MFCUH12, MFCUH12

	MODEL	NEEDLE HEAD	PRESSER FOOT ASSEMBLY	FEED DOG DIFFERENTIAL	FEED DOG MAIN	THROAT PLATE
1	MFC-7406U-H12-A40/PL1	US50318AK40 (50318AK40)	US-50320BE-40 (50320BE40)	300-52805 (34726DG)	303-73609 (34705DG)	US-50324CJ-40 (50324CJ40)
2	MFC-7406U-H12-C40/PL1					301-73009 (34724E10)
3	MFC-7406U-H12-A48/PL1	US50318AK48 (50318AK48)				US-50324CJ-48 (50324CJ48)
4	MFC-7406U-H12-C48/PL1					US-034724E-48 (34724E48)
5	MFC-7406U-H12-A56/PL1	US50318AK56 (50318AK56)	US-50324CK-56 (50324CK56)			
6	MFC-7406U-H12-B56/PL1		US-50324CL-56 (50324CL56)			
7	MFC-7406U-H12-C56/PL1		US-034724E-56 (34724E56)			
8	MFC-7406U-H12-A64/PL1	US50318AK64 (50318AK64)	US-50320BF64 (50320BF64)			
9	MFC-7406U-H12-B64/PL1		US-50324CK-64 (50324CK64)			
10	MFC-7406U-H12-C64/PL1		US-50324CL-64 (50324CL64)			
11	MFC-7605U-H12-A40/PL1	US50318AK40 (50318AK40)	US-50320BE-40 (50320BE40)			US-034724E-64 (34724E64)
12	MFC-7605U-H12-C40/PL1					US-50324CJ-40 (50324CJ40)
13	MFC-7605U-H12-A48/PL1	US50318AK48 (50318AK48)				301-73009 (34724E10)
14	MFC-7605U-H12-C48/PL1					US-50324CJ-48 (50324CJ48)
15	MFC-7605U-H12-A56/PL1	US50318AK56 (50318AK56)	US-034724E-48 (34724E48)			
16	MFC-7605U-H12-B56/PL1		US-50324CK-56 (50324CK56)			
17	MFC-7605U-H12-C56/PL1		US-50324CL-56 (50324CL56)			
18	MFC-7605U-H12-A64/PL1	US50318AK64 (50318AK64)	US-034724E-56 (34724E56)			
19	MFC-7605U-H12-B64/PL1		US-50324CK-64 (50324CK64)			
20	MFC-7605U-H12-C64/PL1		US-50324CL-64 (50324CL64)			
						US-034724E-64 (34724E64)

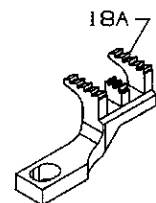
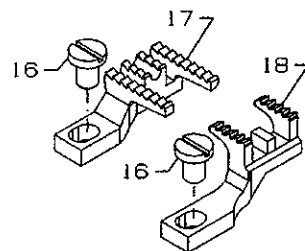
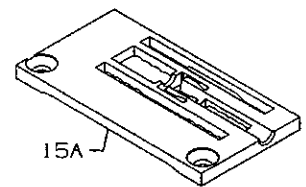
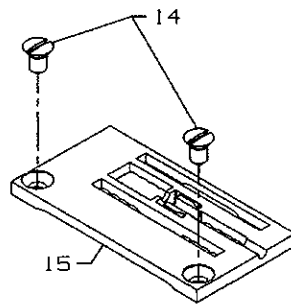
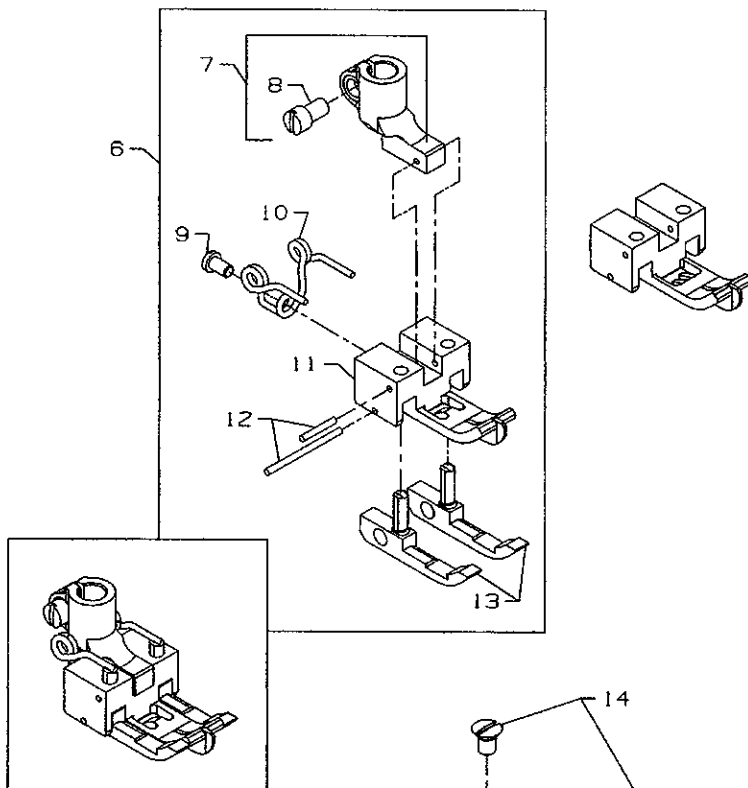
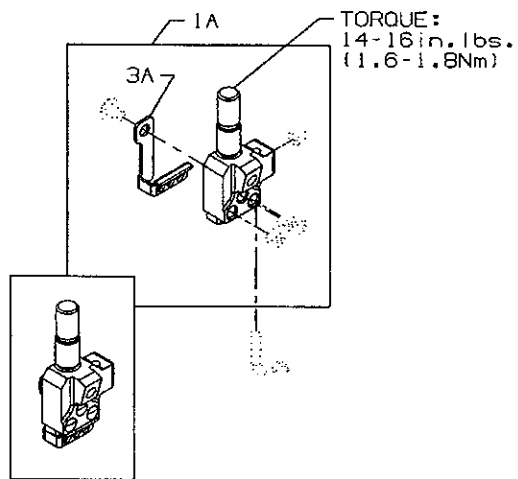
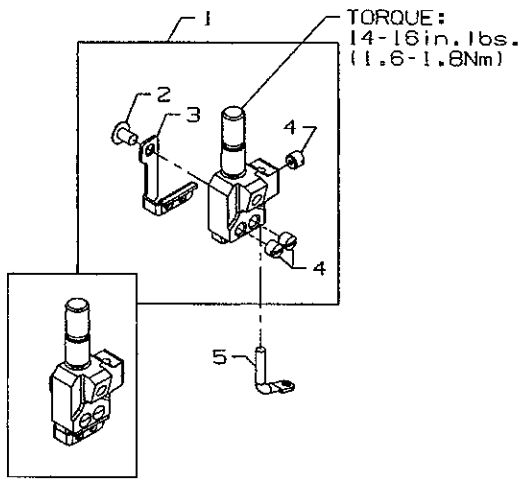


	MODEL	NEEDLE HEAD	PRESSER FOOT ASSEMBLY	FEED DOG DIFFERENTIAL	FEED DOG MAIN	THROAT PLATE
1	MFC-7406U-H21-A40	US50318AK40 (50318AK40)	US-50320CA-40 (50320CA40)	US-0050326-FT (50326FT)	US-0050305-FT (50305FT)	US-50324FR-40 (50324FR40)
2	MFC-7406U-H21-C40					US-50324FT-40 (50324FT40)
3	MFC-7406U-H21-A48	US50318AK48 (50318AK48)	US-50324FR-48 (50324FR48)			
4	MFC-7406U-H21-C48		US-50324FT-48 (50324FT48)			
5	MFC-7406U-H21-A56	US50318AK56 (50318AK56)	US-50320CA56 (50320CA56)			US-50324FR-56 (50324FR56)
6	MFC-7406U-H21-B56					US-50324FS-56 (50324FS56)
7	MFC-7406U-H21-C56		US-50324FT-56 (50324FT56)			
8	MFC-7406U-H21-A64	US50318AK64 (50318AK64)	US-50320CA56 (50320CA56)			US-50324FR-64 (50324FR64)
9	MFC-7406U-H21-B64					US-50324FS-64 (50324FS64)
10	MFC-7406U-H21-C64					US-50324FT-64 (50324FT64)

SEWING PARTS
FOR
MFCUH21

Ref.No.	Juki Part No.	Description	Code	Amt.Req.
1.	-----	Needle Head, for sewing comb., on two needle machines (see chart)	-----	1
1A.	-----	Needle Head, for sewing comb., on three needle machines (see chart)	-----	1
2.	SS-6066440-TP	Screw	SS6066440TP	1
3.	US-50318AE-40	Eyelet, for .040, .048 gauges	50318AE40	1
3A.	US-50318AE-56	Eyelet, for .056, .064 gauges	50318AE56	1
4.	SS-8080310-TP	Screw	SS8080310TP	3/4
5.	301-11504	Needle Thread Eyelet	50392G	1
6.	-----	Presser Foot Assembly, for sewing comb. (see chart)	-----	1
7.	US-0050330-FX	Presser Foot Shank	50330FX	1
8.	302-98103	Screw	91	1
9.	304-82707	Spring	39568J	1
10.	300-98008	Screw	22716A	1
11.	301-50106	Stitch Tongue	50397C	1
11A.	301-20307	Stitch Tongue	50397A16	1
12.	301-81408	Drill Rod	6-25-1.5mm	1
13.	US-50330FK-56	Presser Foot Bottom	50330FK56	1
14.	301-81507	Yielding Section	34730AT	1
15.	304-82608	Plate	G57730GC	1
16.	302-19000	Screw	22716	1
17.	302-64204	Roll Pin	96651	1
18.	302-76703	Spring	G57730GD	1
19.	300-81400	Screw, for throat plate	87	3
20.	300-91201	Screw, for throat plate	22768	1
21.	-----	Throat Plate, for two needle machines (see chart)	-----	1
21A.	-----	Throat Plate, for three needle machines (see chart)	-----	1
22.	302-40006	Screw, for feed dogs	99293	2
23.	-----	Differential Feed Dog (see chart)	-----	1
24.	-----	Main Feed Dog (see chart)	-----	1
25.	302-19109	Screw	22730	2

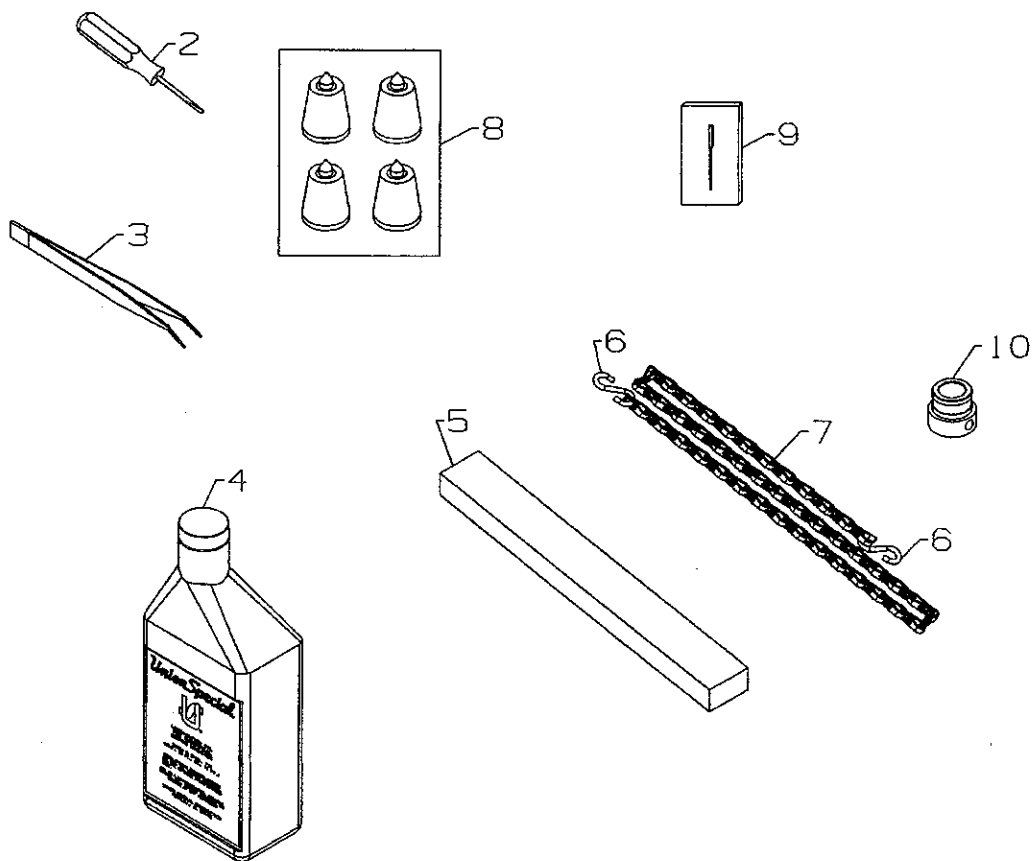
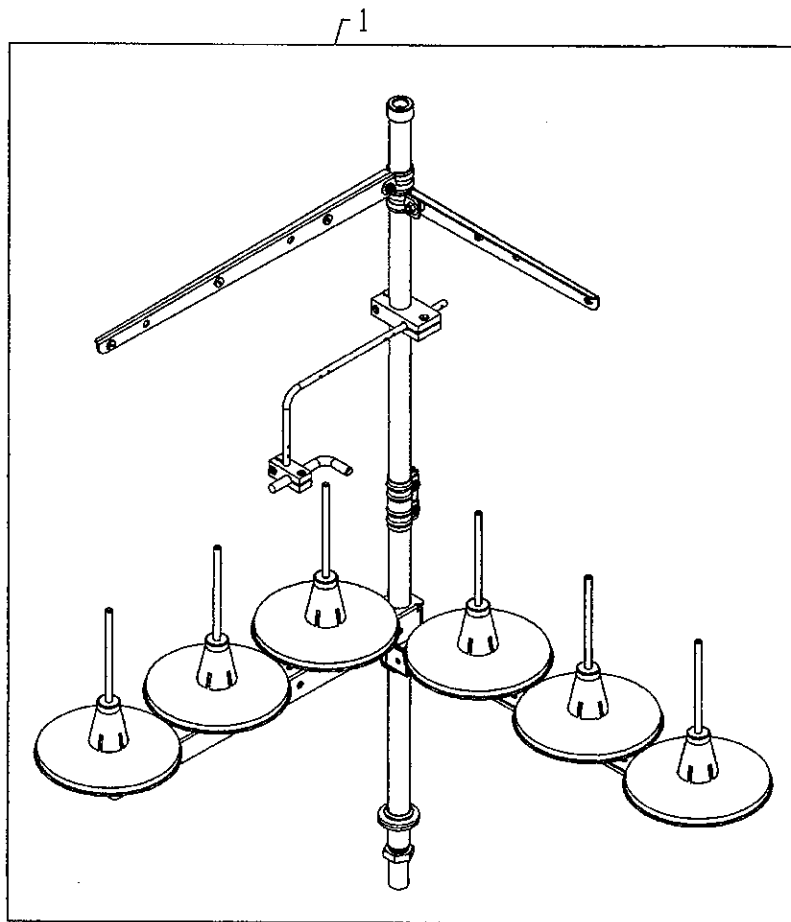
	MODEL	NEEDLE HEAD	PRESSER FOOT ASSEMBLY	FEED DOG DIFFERENTIAL	FEED DOG MAIN	THROAT PLATE
1	MFC-7605U-H21-A40	US50318AK40 (50318AK40)	US-50320CA-40 (50320CA40)	US-0050326-FT (50326FT)	US-0050305-FT (50305FT)	US-50324FR-40 (50324FR40)
2	MFC-7605U-H21-C40					US-50324FT-40 (50324FT40)
3	MFC-7605U-H21-A48	US50318AK48 (50318AK48)				US-50324FR-48 (50324FR48)
4	MFC-7605U-H21-C48					US-50324FT-48 (50324FT48)
5	MFC-7605U-H21-A56	US50318AK56 (50318AK56)	US-50320CA56 (50320CA56)			US-50324FR-56 (50324FR56)
6	MFC-7605U-H21-B56					US-50324FS-56 (50324FS56)
7	MFC-7605U-H21-C56		US-50324FT-56 (50324FT56)			
8	MFC-7605U-H21-A64	US50318AK64 (50318AK64)	US-50320CA64 (50320CA64)			US-50324FR-64 (50324FR64)
9	MFC-7605U-H21-B64					US-50324FS-64 (50324FS64)
10	MFC-7605U-H21-C64					US-50324FT-64 (50324FT64)



SEWING PARTS
FOR
MFCUK01, MFCUK02

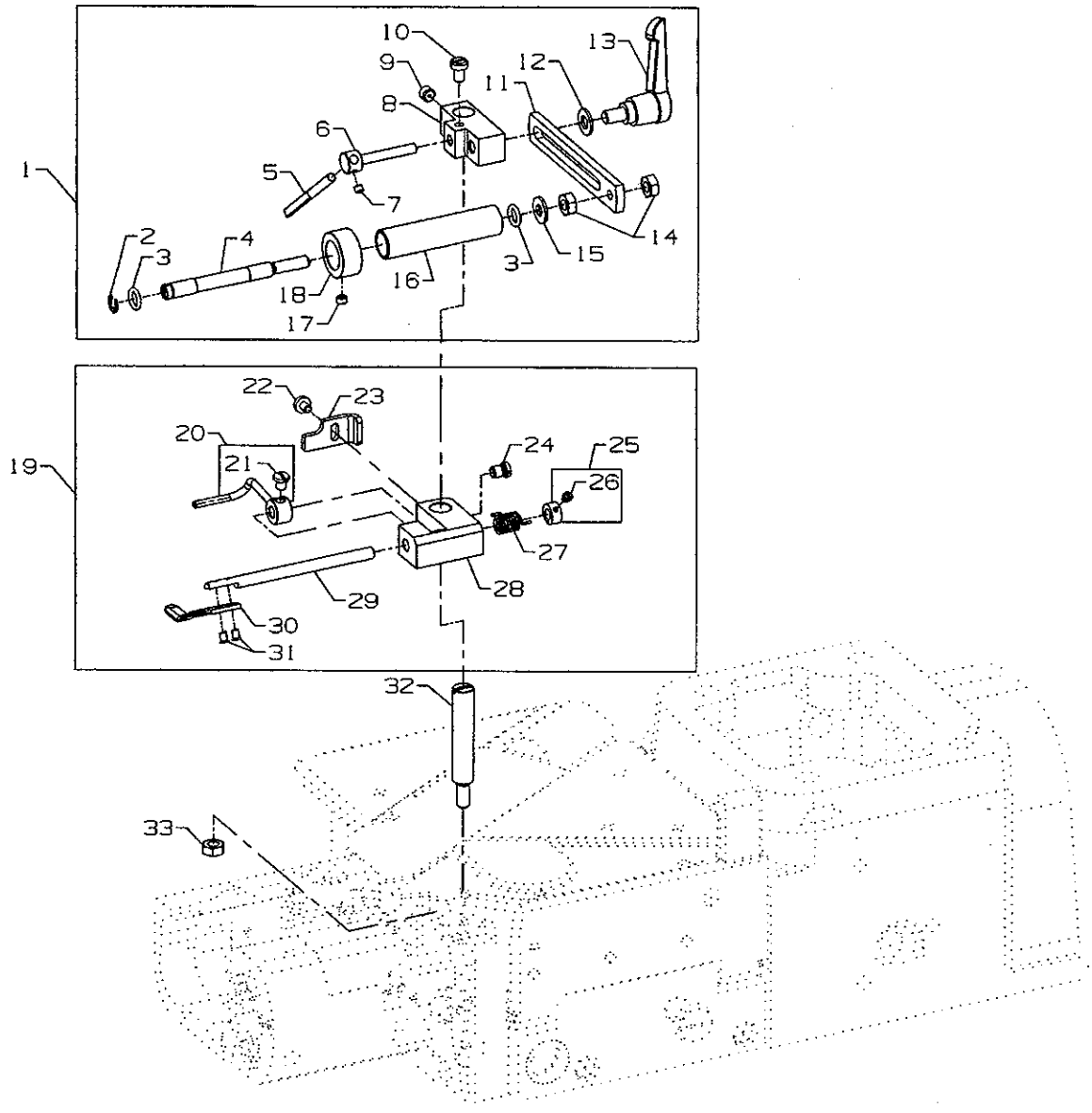
Ref.No.	Juki Part No.	Description	Code	Amt.Req.
1.	-----	Needle Head, for two needle machines (see chart)	-----	1
1A.	-----	Needle Head, for three needle machines (see chart)	-----	1
2.	SS-6066440-TP	Screw	SS6066440TP	1
3.	US-50318AE-40	Eyelet, for .048 gauge	50318AE40	1
3A.	US-50318AE-56	Eyelet, for .056, .064 gauges	50318AE56	1
4.	SS-8080310-TP	Set Screw	SS8080310TP	3/4
5.	301-11504	Needle Thread Eyelet	50392G	1
6.	-----	Presser Foot, for sewing comb., (see chart)	-----	1
7.	303-07300	Presser Foot Shank	31130A	1
8.	302-98103	Screw	91	1
9.	302-99408	Screw	605C	1
10.	303-07409	Spring	G11940	1
11.	301-66805	Presser Foot Guide	G65-90	1
12.	301-50205	Drill Rod	6-25-55	2
13.	303-07508	Yielding Section	31130RA	2
14.	300-81400	Counter Sunk Head Screw, for throat plate	87	2
15.	-----	Throat Plate, for two needle machines (see chart)	-----	1
15A.	-----	Throat Plate, for three needle machines (see chart)	-----	1
16.	302-40006	Screw, for feed dogs	99293	1
17.	-----	Main Feed Dog (see chart)	-----	1
18.	-----	Differential Feed Dog, for MFCUK01 (see chart)	-----	1
18A.	-----	Differential Feed Dog, for MFCUK02 (see chart)	-----	1

	MODEL	NEEDLE HEAD	PRESSER FOOT ASSEMBLY	FEED DOG DIFFERENTIAL	FEED DOG MAIN	THROAT PLATE	
1	MFC-7406U-K01-D48	US50318AK48 (50318AK48)	302-80754 (34727CA48)	302-82701 (34726CA16)	302-83402 (34705CA)	302-82404 (34724CA48)	
2	MFC-7406U-K01-D56	US50318AK56 (50318AK56)	US-34727CA-60 (34727CA60)			302-82701 (34726CA16)	302-82503 (34724CA56)
3	MFC-7406U-K01-D64	US50318AK64 (50318AK64)					302-89409 (34724CA64)
4	MFC-7406U-K02-D56	US50318AK56 (50318AK56)		303-83608 (34726A)		US-34724CB-56 (34724CB56)	
5	MFC-7406U-K02-D64	US50318AK64 (50318AK64)				US-34724CB-64 (34724CB64)	
6	MFC-7605U-K01-D48	US50318AK48 (50318AK48)		302-80754 (34727CA48)		302-82701 (34726CA16)	302-82404 (34724CA48)
7	MFC-7605U-K01-D56	US50318AK56 (50318AK56)	US-34727CA-60 (34727CA60)	302-82701 (34726CA16)			302-82503 (34724CA56)
8	MFC-7605U-K01-D64	US50318AK64 (50318AK64)					302-89409 (34724CA64)
9	MFC-7605U-K02-D56	US50318AK56 (50318AK56)		303-83608 (34726A)		US-34724CB-56 (34724CB56)	
10	MFC-7604U-K02-D64	US50318AK64 (50318AK64)				US-34724CB-64 (34724CB64)	



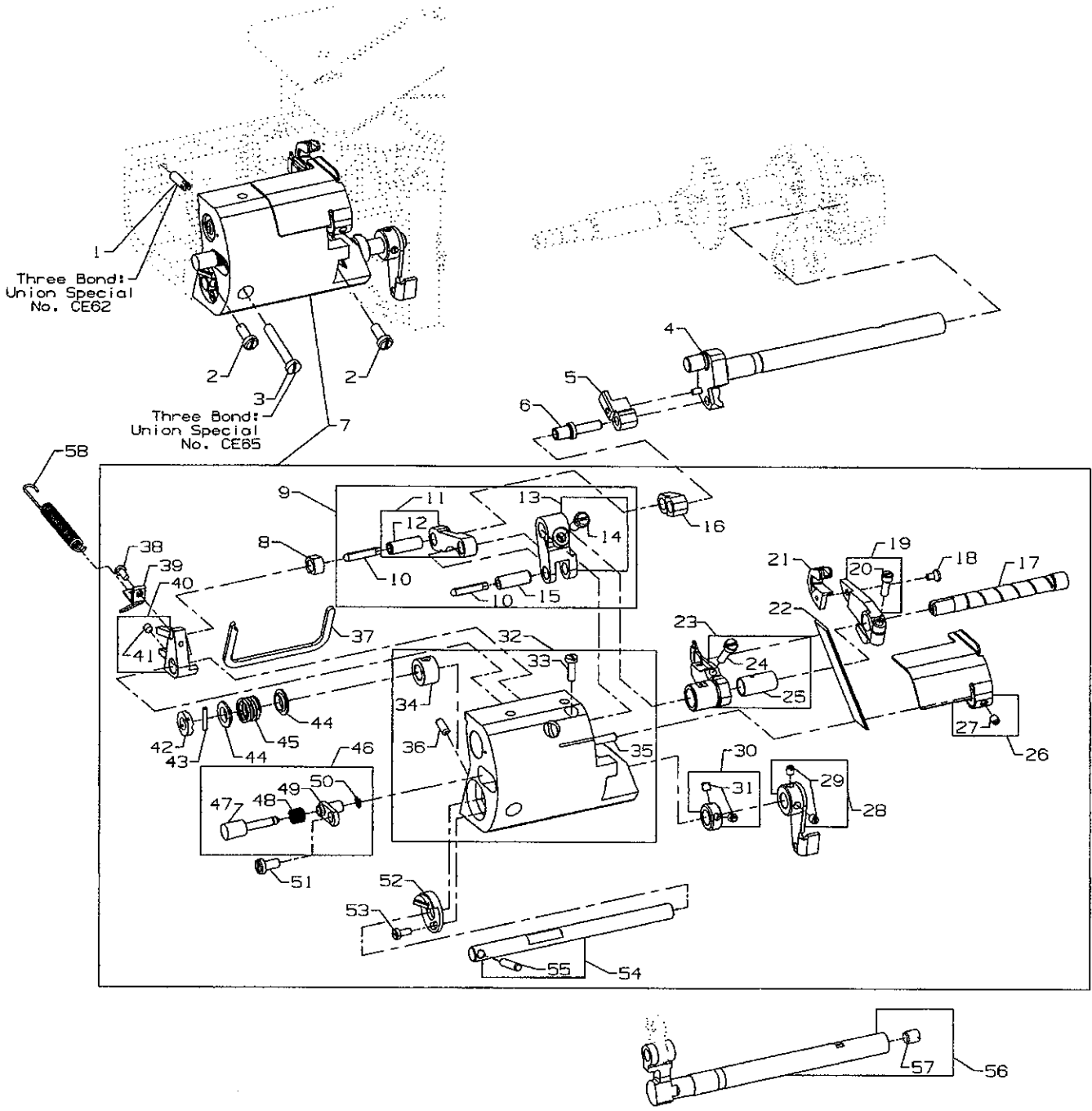
ACCESSORIES

Ref.No.	Juki Part No.	Description	Code	Amt.Req.
1.	119-69854	Thread Stand (6 cones)	11969557	1
2.	301-49405	Screwdriver, for needle head	G21201	1
3.	301-49504	Thread Tweezer	660-240	1
4.	301-49207	Oil (1 pint)	28604R	1
5.	301-49603	Profile Rubber	34395	1
6.	300-63705	"S" Hook	660-264	2
7.	301-49702	Chain	421D34	1
8.	301-48407	Isolator	51295B	4
9.	MUY-128A1003	Needles	128GAS070/10S	1



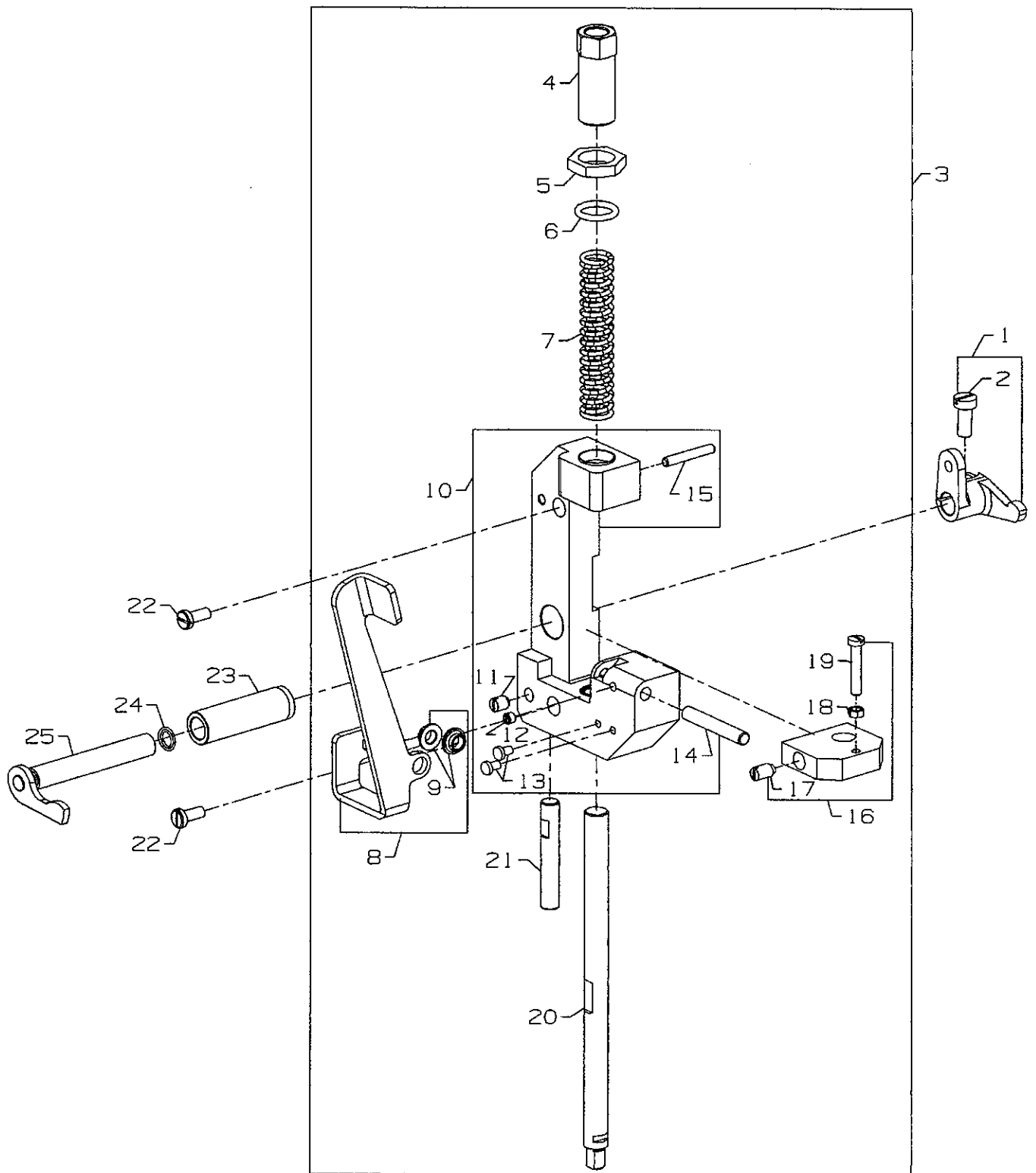
TAPE GUIDE, HOLD DOWN DEVICE
FOR
MFCUE11, MFCUE61, MFCUE62

Ref.No.	Juki Part No.	Description	Code	Amt.Req.
1.	301-77752	Tape Guide Assembly	34786G	1
2.	302-65300	Retaining Ring	96275	1
3.	301-78909	"O" Ring	999-30	2
4.	301-78107	Shaft	34786GE	1
5.	301-77703	Tape Guide	34786GA	1
6.	301-77802	Support	34786GB	1
7.	300-84602	Screw	22894AY	1
8.	US-0003478-3N	Support	34786N	1
9.	300-84602	Screw	22894X	1
10.	301-85607	Screw	93A	1
11.	301-77901	Bracket	34786GC	1
12.	301-78602	Washer	95951	1
13.	301-79006	Clamping Lever	999-90B	1
14.	300-95806	Nut	18	2
15.	300-56501	Washer	21657E	1
16.	301-78305	Roller	34786GG	1
17.	300-83901	Screw	88B	1
18.	301-78206	Collar	34786GF	1
19.	301-76507	Hold Down Device Assembly	34731	1
20.	301-76903	Lever	34731D	1
21.	301-75806	Screw	22570B	1
22.	300-84909	Screw	22585C	1
23.	301-76804	Stop	34731C	1
24.	301-76002	Screw	22836	1
25.	304-12506	Collar	39531B	1
26.	300-78802	Screw	604	1
27.	301-78800	Torsion Spring	97113	1
28.	301-76705	Support	34731B	1
29.	301-78404	Shaft	39531A	1
30.	301-76606	Hold Down Plate	34731A	1
31.	300-94700	Screw	77K	2
32.	302-63602	Spacer Stud	99391	1
33.	300-95806	Nut	18	1



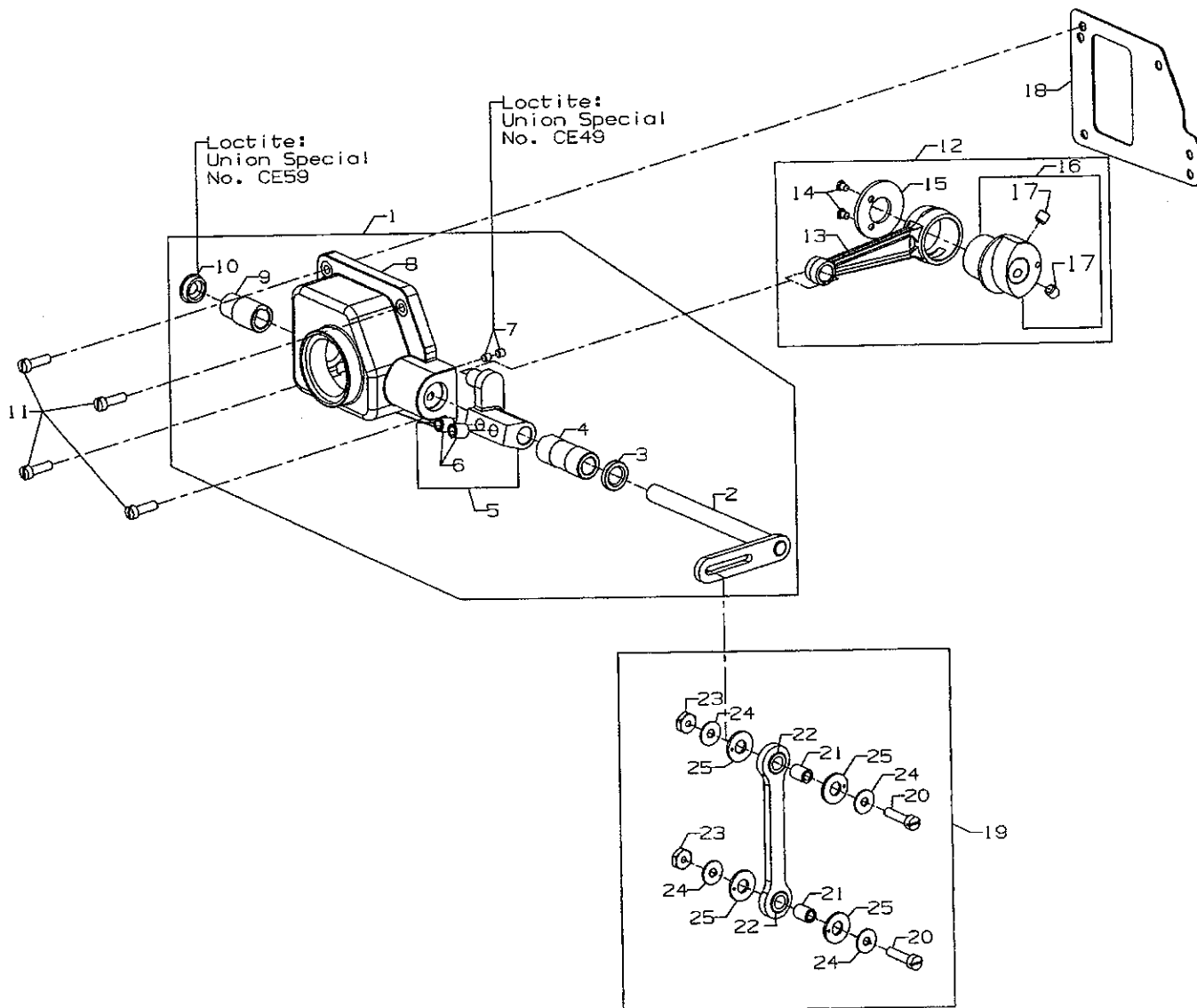
UNDER TRIMMER ASSEMBLY
FOR
MFCUE11, MFCUE61, MFCUE62

Ref.No.	Juki Part No.	Description	Code	Amt.Req.
1.	302-67009	Screw	G51347A	1
2.	302-89201	Screw	93	2
3.	302-20503	Screw	22874F	1
4.	US-0050322-BH	Shaft	50322BH	1
5.	302-57307	Spacer	34738A	1
6.	302-67108	Screw	99370	1
7.	US-0002992-4M	Under Trimmer Assembly	29924M	1
8.	302-90506	Slide Block	34771G	1
9.	302-54957	Lever Assembly	34771A	1
10.	302-40204	Wick	666-149	2
11.	302-90407	Connecting Rod	34771B	1
12.	302-21709	Joint Pin	G51054	1
13.	302-54908	Lever	34771AA	1
14.	302-89201	Screw	93	1
15.	302-21709	Joint Pin	G51054	1
16.	302-55004	Connection	34771K	1
17.	302-55103	Shaft	34785	1
18.	305-44902	Screw	22894BG	1
19.	303-74805	Upper Knife Lever	34771PA	1
20.	300-88603	Screw	22729	1
21.	301-77208	Upper Knife	34770H	1
22.	301-77000	Lower Knife	34749B	1
23.	301-77109	Knife Holder	34750EA	1
24.	301-75905	Screw	22729AB	1
25.	302-55608	Bushing	34750A	1
26.	301-77307	Edge Guide	34779	1
27.	302-17905	Screw	22565C	1
28.	302-56002	Lever	34771L	1
29.	302-90704	Screw	88	2
30.	302-56101	Collar	12865	1
31.	302-90704	Screw	88	2
32.	US-0003473-9N	Housing	34739N	1
33.	301-79303	Screw	22585R	1
34.	302-56200	Bushing	34739A	1
35.	302-66308	Pin	96529	1
36.	302-66100	Pin	51280J	2
37.	302-66407	Gasket	1266001	1
38.	302-56705	Screw	77L	1
39.	302-56606	Stop	34771J	1
40.	302-56804	Lever	34771D	1
41.	300-71203	Screw	89	1
42.	302-66704	Nut	99369	1
43.	302-66605	Pin	96530	1
44.	302-56309	Spring Washer	34771E	2
45.	302-56506	Spring	97016	1
46.	302-56457	Locking Plate Assembly	34763B	1
47.	302-56507	Bolt	34763C	1
48.	302-66803	Spring	97015	1
49.	302-56408	Locking Plate	34763BA	1
50.	302-12708	Retaining Ring	660-210	1
51.	302-17004	Screw	22528	1
52.	302-56903	Stop	34771H	1
53.	302-57000	Screw	J87J	1
54.	302-57109	Shaft	34771C	1
55.	302-57208	Pin	34771F	1
56.	302-48900	Shaft, for feed drive	34734	1
57.	302-89003	Cork Plug	CO67B	2
58.	302-66902	Spring	96722	1



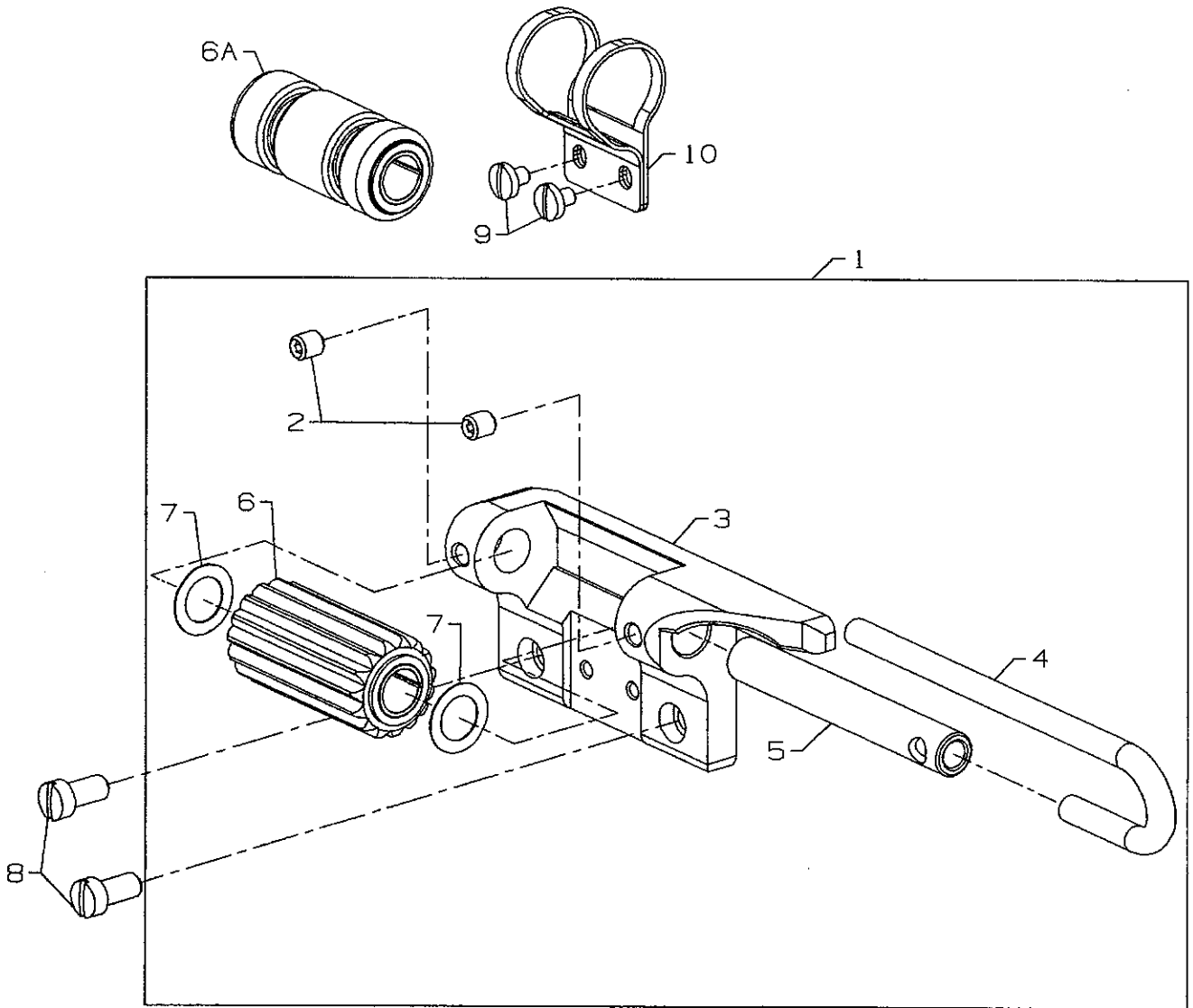
PULLER LIFTER ASSEMBLY
FOR
MFCUE61, MFCUE62, MFCUH11, MFCUH12

Ref.No.	Juki Part No.	Description	Code	Amt.Req.
1.	US-0050377-VA	Lever, lifter front	50377VA	1
2.	SS-6151440-SP	Screw	SS6151440SP	1
3.	US-0029476-UX	Puller Lifter Assembly	29476UX	1
4.	301-83107	Regulator	59477	1
5.	305-12008	Nut	35733G	1
6.	300-85807	"O" Ring	660-212	1
7.	US-0005037-7L	Spring	50377L	1
8.	US-0005037-7C	Lever, lifter	50377C	1
9.	US-0050344-AT	Bushing	50344AT	2
10.	US-0005037-7D	Bracket, for roller lifter	50377D	1
11.	SS-8150710-SP	Set Screw	SS8150710SP	1
12.	SS-8120410-SP	Set Screw	SS8120410SP	1
13.	US-0050337-AM	Bumper	50337AM	1
14.	US-0050377-AF	Pin	50377AF	1
15.	302-66308	Pin	96529	1
16.	US-0005037-7M	Lifter	50377M	1
17.	SS-8151150-SP	Screw	SS8151150SP	1
18.	NS-6110310-SP	Nut	NS6110310SP	1
19.	SS-7112420-SP	Screw	SS7112420SP	1
20.	US-0050377-AM	Bar, roller presser	50377AM	1
21.	US-0050377-AR	Guide Pin	50377AR	1
22.	SS-6121220-TP	Screw	SS6121220TP	2
23.	US-0005037-7T	Bushing, lifter link	50377T	1
24.	RO-0681901-00	"O" Ring	RO068190100	1
25.	US-0005037-7G	Lever, puller lifter	50377G	1



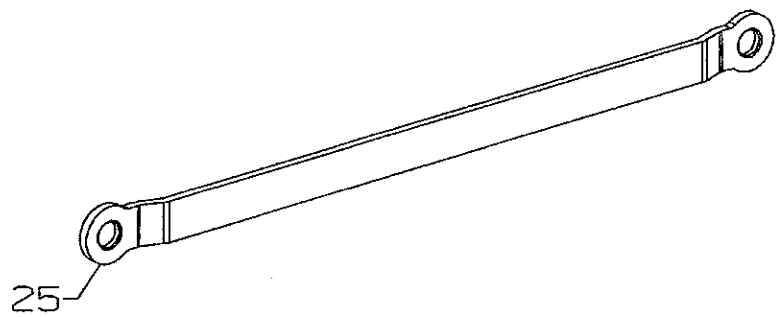
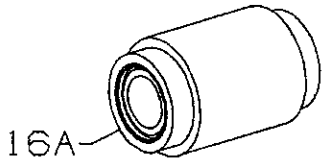
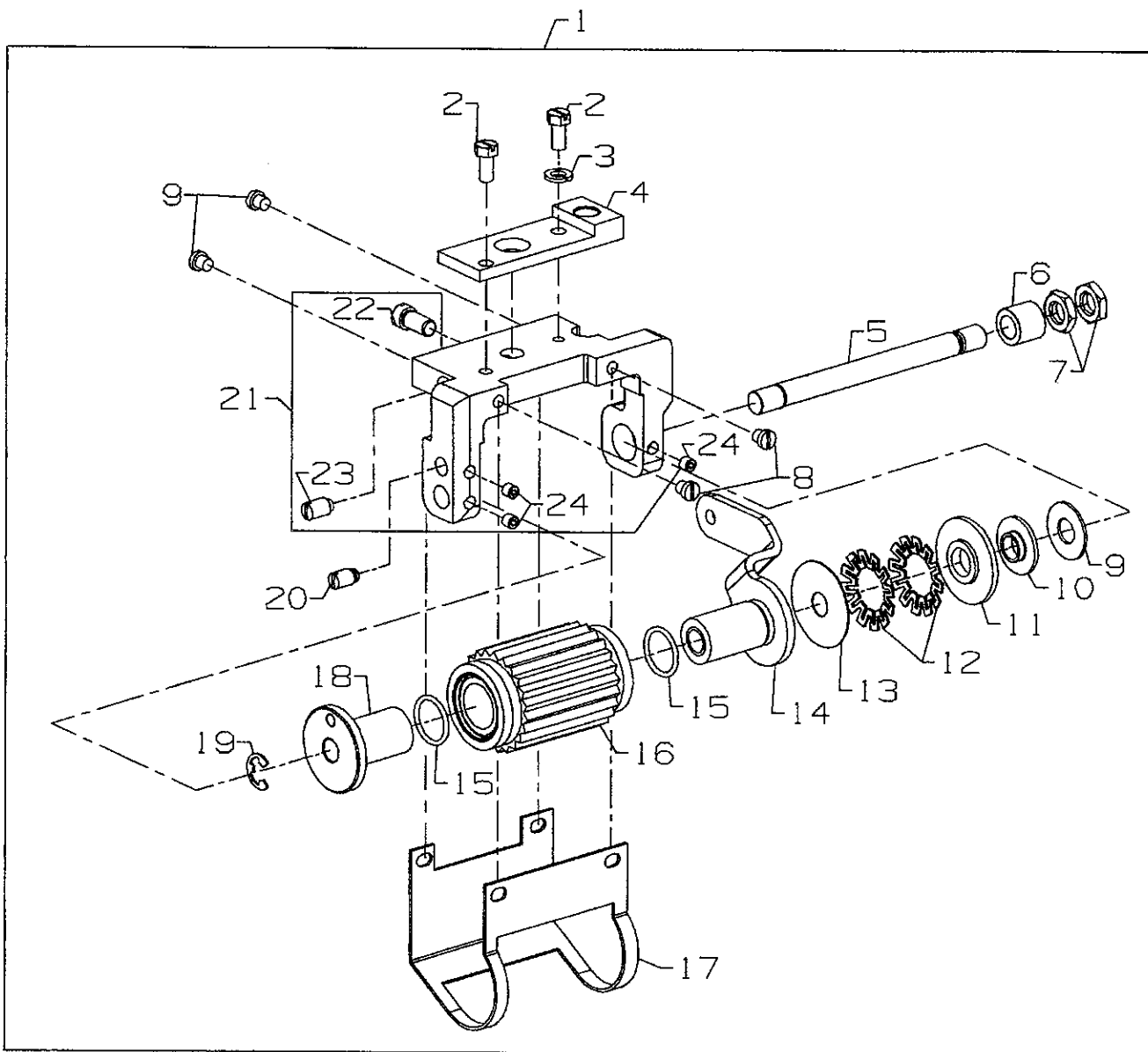
PULLER DRIVE ASSEMBLY
FOR
MFCUE61, MFCUE62, MFCUH11, MFCUH12

Ref.No.	Juki Part No.	Description	Code	Amt.Req.
1.	US-0029476-SP	Puller Drive Assembly	29476SP	1
2.	US-0005027-7F	Roller Driving Arm	50377F	1
3.	304-01707	Seal	660-893	1
4.	US-0005037-7S	Bushing	50377S	1
5.	US-0005037-7E	Lever, Puller Drive	50377E	1
6.	SS-8701042-TP	Screw	SS8701042TP	2
7.	SS-8110422-TP	Set Screw	SS8110422TP	1
8.	US-0005037-7U	Housing, Puller Drive	50377U	1
9.	US-0005037-7P	Bushing	50377P	1
10.	TA-1450404-R0	Rubber Plug	TA1450404R0	1
11.	SS-7121610-SP	Screw	SS7121610SP	4
12.	US-0005037-7Z	Connecting Rod Eccentric Assembly	50377Z	1
13.	US-0050377-AA	Connecting Rod	50377AA	1
14.	SS-2090620-SP	Screw	SS2090620SP	2
15.	US-0000503-86	Washer	50386	1
16.	US-0050377-AB	Eccentric	50377AB	1
17.	SS-8660612-TP	Screw	SS8660612TP	2
18.	US-0005038-4L	Gasket	50384L	1
19.	US-0005037-7J	Roller Drive Link Assembly	50377J	1
20.	SS-6122030-SP	Screw	SS6122030SP	2
21.	US-0050344-AP	Bushing, link	50344AP	2
22.	304-89405	Bearing	660-303	2
23.	NS-6120480-SP	Nut	NS6120480SP	2
24.	WP-0501046-SC	Washer	WP0501046SC	4
25.	US-0660Z10-89	Thrust Washer	660-1089	4



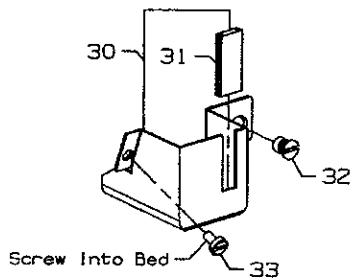
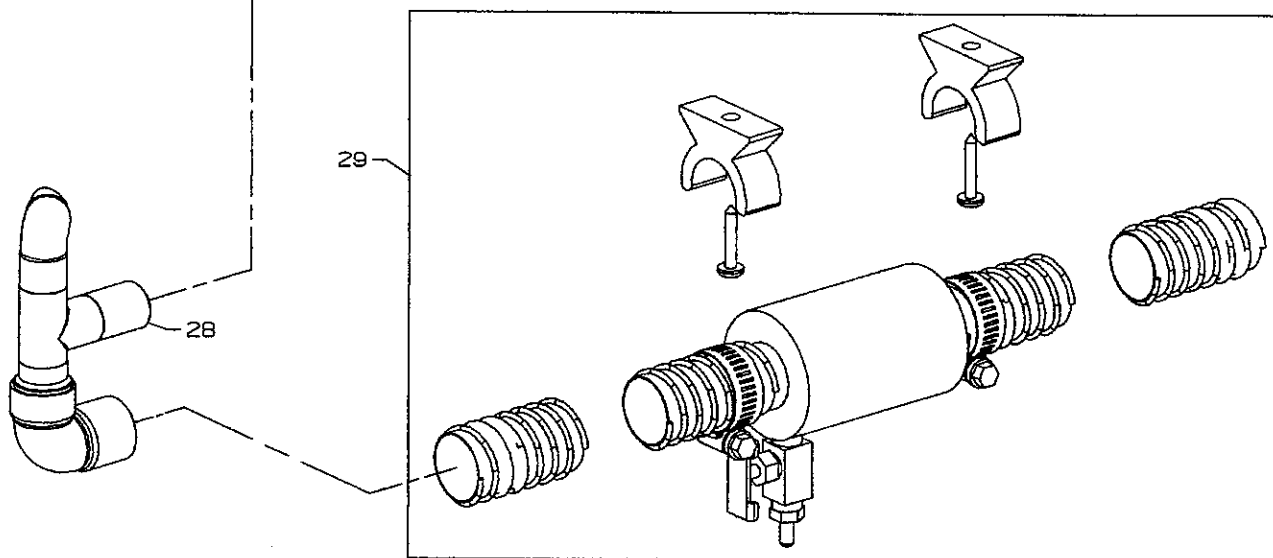
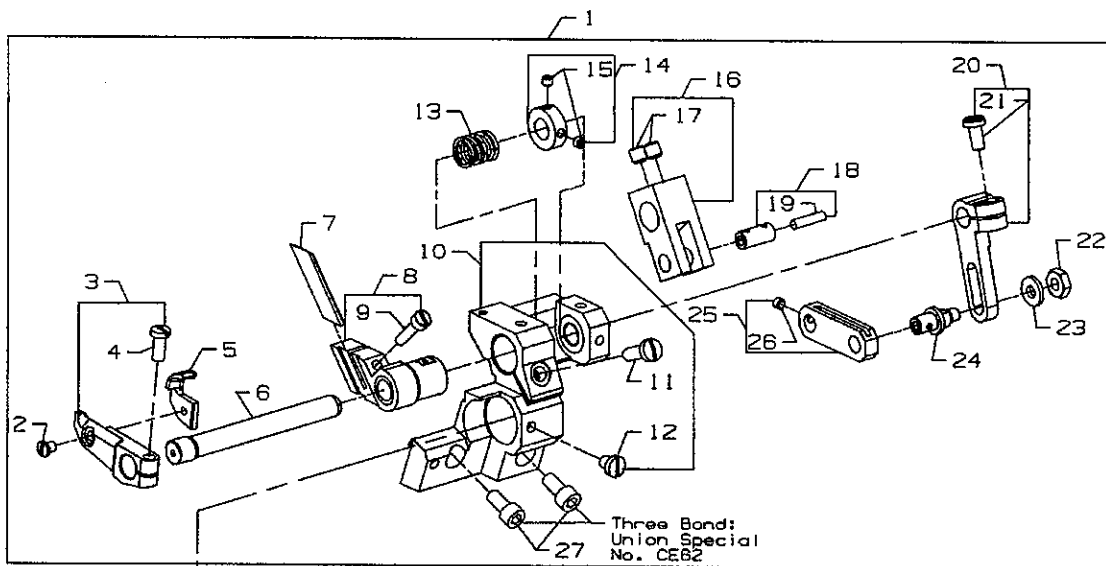
LOWER ROLLER ASSEMBLY
FOR
MFCUE61, MFCUE62, MFCUH11, MFCUH12

Ref.No.	Juki Part No.	Description	Code	Amt.Req.
1.	US-0029476-XU	Lower Roller Assembly, for MFCUE61, MFCUH11	29476XU	1
-	US-0020476-SW	Lower Roller Assembly, for MFCUE62, MFCUH12	29476SW	1
2.	300-84206	Set Screw	22894AD	2
3.	301-81804	Bracket (Standard) Cylinder	34380B	1
4.	301-81903	Guard	34767	1
5.	301-82000	Shaft	34776B	1
6.	US-0050377-AT	Lower Roller, for MFCUE61, MFCUH11	50377AT	1
6A.	301-82307	Lower Roller (Smooth), MFCUE62, MFCUH12	34776F	1
7.	US-0005038-6E	Washer, plastic	50386E	2
8.	301-10506	Screw, for lower roller assembly	22517	2
9.	300-84909	Screw	22585C	2
10.	301-82109	Roller Guard	34380C	1



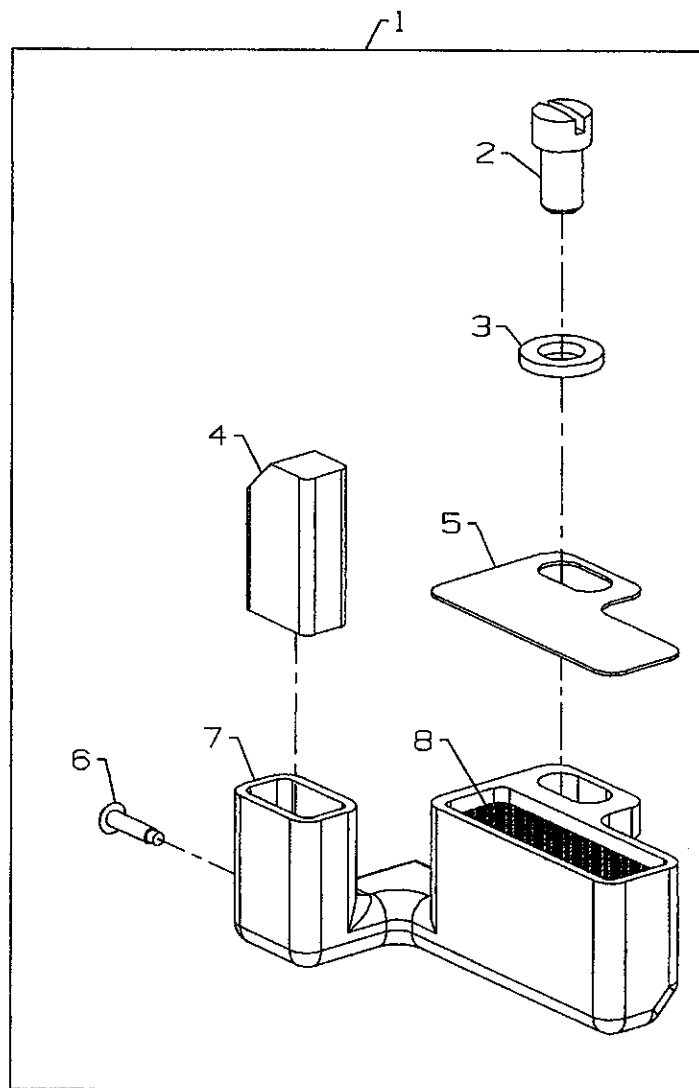
UPPER ROLLER ASSEMBLY
FOR
MFCUE61, MFCUE62, MFCUH11, MFCUH12

Ref.No.	Juki Part No.	Description	Code	Amt.Req.
1.	US-0029476-UV	Upper Roller Assembly, for MFCUE61, MFCUH11	29476UV	1
-	US-0029476-SS	Upper Roller Assembly, for MFCUE62, MFCUH12	29476SS	1
2.	SS-9111010-SP	Hex Screw	SS9111010SP	2
3.	WS-0510002-KP	Lock Washer	WS0510002KP	1
4.	US-0050378-AD	Guide Plate	50378AD	1
5.	301-82505	Shaft	34774	1
6.	301-82604	Bushing	34778A	1
7.	301-82703	Stud Nut	11638M	2
8.	SS-7110410-SP	Screw	SS7110410SP	4
9.	305-39704	Washer	C50077K	1
10.	301-82802	Bushing	34778C	1
11.	US-0050377-AE	Disc	50377AE	1
12.	US-00661Z2-61	Cup Spring	661-261	2
13.	US-0005038-6B	Washer	50386B	1
14.	US-0005037-7H	Lever Assembly	50377H	1
15.	301-83206	"O" Ring	661-149	2
16.	US-0005037-5Y	Roller Assembly, for MFCUE61, MFCUH11	50375Y	1
16A.	US-0005037-5V	Roller Assembly (Smooth), MFCUE62, MFCUH12	50375V	1
17.	US-0050377-AC	Roller Guard	50377AC	1
18.	US-0050377-AD	Bushing	50377AD	1
19.	301-82901	"E" Ring	96278	1
20.	301-83008	Shoulder Screw	22892C	1
21.	US-0050377-AK	Feed Roller Yoke Assembly	50377AK	1
22.	SS-6151220-SP	Hex Screw	SS6151220SP	1
23.	SS-8151150-SP	Screw	SS8151150SP	1
24.	SS-8110422-TP	Set Screw	SS8110422TP	3
25.	US-0050355-AS	Wire Connector	50355AS	1



LEFT HAND TRIMMER ASSEMBLY
FOR
CS122H21, CS132H21

Ref.No.	Juki Part No.	Description	Code	Amt.Req.
1.	301-86407	Left Hand Trimmer Assembly	29924LA	1
2.	SS-7090530-SP	Screw	SS7090530SP	1
3.	US-0005037-2A	Knife Lever	50372A	1
4.	SS-7110910-TP	Screw	SS7110910TP	1
5.	US-0005037-0J	Upper Knife	50370J	1
6.	US-0003478-5L	Shaft	34785L	1
7.	303-84507	Lower Knife	34749EL	1
8.	US-0005037-2B	Lower Knife Holder	50372B	1
9.	301-87108	Screw	22729ABA	1
10.	305-11000	Support Block	34739L	1
11.	301-05803	Screw	22596	1
12.	301-67902	Screw	25CC	1
13.	US-0009700-5D	Spring	97005D	1
14.	301-80806	Adjusting Collar	33688	1
15.	305-44605	Screw	22894AY	2
16.	303-82204	Lever	34771SL	1
17.	300-70908	Screw	22894C	2
18.	302-32607	Link Pin	34336P	1
19.	302-40204	Oil Wick	666-149	1
20.	305-11109	Lever	34771VL	1
21.	302-17004	Screw	22528	1
22.	302-15909	Hex Nut	9937	1
23.	301-64909	Washer	4611U	1
24.	301-80905	Adjusting Bolt	34771UL	1
25.	303-82105	Connecting Link	34771TL	1
26.	302-46607	Set Screw	22894Y	1
27.	301-81002	Screw	95412	2
28.	US-00671B1-15	Suction Tube	671B115	1
29.	US-029480A-WK	Exhaust Assembly	29480AWK	1
30.	US-0005039-6L	Guard	50396L	1
31.	US-0050382-JU	Sliding Cover, For Guard	50382JU	1
32.	301-85102	Screw, For Guard	22807	1
33.	302-12104	Screw, For Guard	98A	1



NEEDLE DIPPER (EXTRA SEND CHARGE)

Ref.No.	Juki Part No.	Description	Code	Amt.Req.
1.	US-029480A-ZV	Needle Dipper Assembly	29480AZV	1
2.	302-52209	Screw, for needle dipper	22562B	1
3.	302-57505	Washer	80265	1
4.	US-0050393-GW	Felt	50393GW	1
5.	US-0050382-KD	Needle Dipper Cover	50382KD	1
6.	304-24204	Pin, for oil wick	666-197	1
7.	US-0050393-KZ	Needle Dipper	50393KZ	1
8.	CQ-2000000-00	Oil Wick	CQ200000000	1

NUMERICAL INDEX OF PARTS

<u>Part No.</u>	<u>Page No.</u>	<u>Part No.</u>	<u>Page No.</u>	<u>Part No.</u>	<u>Page No.</u>	<u>Part No.</u>	<u>Page No.</u>
110-71602	15	301-11504	49, 51	301-77901	55	302-17905	3, 57
110-71701	15	301-20307	43, 49	301-78107	55	302-19000	45, 49
115-50209	13	301-26700	43	301-78206	55	302-19109	37, 49
119-69854	53	301-26809	43	301-78305	55	302-19307	27
121-24202	11	301-26908	43	301-78404	55	302-19505	37
300-03602	13	301-33300	39, 43	301-78503	39	302-20008	23
300-10003	25	301-33409	43	301-78602	55	302-20404	27
300-18709	9	301-41709	11	301-78701	39	302-20503	57
300-46205	13	301-41907	11	301-78800	55	302-21006	23
300-46304	13	301-42004	11	301-78909	55	302-21709	29, 57
300-50306	25	301-42301	17	301-79006	55	302-22707	27
300-56501	55	301-42608	21	301-79105	31	302-22756	27
300-57707	23	301-42707	19	301-79204	31	302-22806	27
300-58101	27	301-43101	23	301-79303	57	302-22905	27
300-58200	27	301-43804	23	301-80806	67	302-23101	27
300-59901	21	301-43903	23	301-80905	67	302-23200	27
300-63705	53	301-44000	23	301-81002	67	302-23309	27
300-70908	23, 67	301-44109	23	301-81408	45, 49	302-23408	27
300-71203	57	301-44406	23	301-81507	49	302-23507	27
300-73506	21	301-47706	33	301-81804	63	302-23655	27
300-74009	21	301-47805	35	301-81903	63	302-23903	27
300-76103	25	301-48407	53	301-82000	63	302-24000	27
300-76509	3, 21	301-49207	53	301-82109	63	302-24109	27
300-76707	29	301-49405	53	301-82307	63	302-24208	27
300-78802	55	301-49504	53	301-82505	65	302-24307	27
300-79701	31, 37	301-49603	53	301-82604	65	302-24406	27
300-81400	35, 39, 43	301-49702	53	301-82703	65	302-25809	21
300-81400	49, 51	301-50106	43, 49	301-82802	65	302-25908	21
300-82309	35	301-50205	43, 51	301-82901	65	302-26005	3
300-82408	35	301-64909	67	301-83008	65	302-26609	21
300-83901	55	301-65104	39	301-83107	59	302-26708	25
300-84206	3, 25, 29, 63	301-65302	39	301-83206	65	302-27201	3
300-84602	23, 27, 29, 55	301-66805	51	301-85003	33	302-29405	23
300-84909	37, 55, 63	301-67902	67	301-85102	67	302-29504	23
300-85005	9	301-68108	39	301-85201	43	302-29603	23
300-85401	31, 37	301-69908	37	301-85300	43	302-29702	23
300-85807	21, 31, 59	301-70302	39	301-85409	39	302-29909	23
300-87407	31, 37	301-72100	33	301-85508	31	302-30007	27, 29
300-88207	25	301-72209	33	301-85607	55	302-30304	27
300-88603	57	301-72308	33	301-85706	31, 33	302-30403	27
300-89304	29	301-75806	55	301-85805	43	302-30601	27
300-90302	37	301-75905	57	301-86308	3	302-30700	29
300-90500	27, 31, 33	301-76002	55	301-86407	67	302-30759	29
300-91201	49	301-76101	39	301-87108	67	302-30809	29
300-94700	55	301-76200	39	302-10702	29	302-31005	29
300-95400	9, 15	301-76507	55	302-11106	25	302-31104	29
300-95608	35, 37	301-76606	55	302-11403	33	302-31203	29
300-95806	55	301-76705	55	302-11502	33	302-31302	29
300-96309	29	301-76804	55	302-11700	11	302-31500	29
300-96705	23, 29	301-76903	55	302-12104	11, 67	302-31807	29
300-98003	43	301-77000	57	302-12708	57	302-32003	25
300-98008	49	301-77109	57	302-14407	3	302-32508	29
300-98503	11	301-77208	57	302-14803	3	302-32607	29
300-99600	37	301-77307	57	302-15909	23, 27, 31	302-32706	29
301-03204	31	301-77406	31	302-15909	37, 67	302-33605	29
301-03600	19	301-77505	31	302-16600	27	302-33803	29
301-05001	15	301-77604	31	302-17004	57, 67	302-33902	29
301-05803	67	301-77703	55	302-17103	23, 31, 33	302-34009	29
301-10506	63	301-77752	55	302-17707	15	302-34405	37
301-11504	39, 43, 45	301-77802	55	302-17806	27	302-36905	19

NUMERICAL INDEX OF PARTS

<u>Part No.</u>	<u>Page No.</u>	<u>Part No.</u>	<u>Page No.</u>	<u>Part No.</u>	<u>Page No.</u>	<u>Part No.</u>	<u>Page No.</u>
302-37200	21	302-60905	39	303-82105	67	SD-0640323-TP	17
302-37309	21	302-64808	11	303-82204	67	SD-0790303-SP	15
302-37408	21	302-65300	55	303-82907	13	SD-1000801-SH	9
302-37507	21	302-66001	39	303-83400	33	SM-4040655-SP	37
302-38000	35	302-66100	57	303-83509	33	SS-1110640-SL	17
302-38307	3	302-66308	57, 59	303-83806	23	SS-1121010-SP	11
302-38406	31, 33	302-66407	57	303-84507	67	SS-2090620-SP	61
302-38604	31, 33	302-66605	57	303-86403	37	SS-4080620-TP	5, 25
302-38703	31, 33	302-66704	57	303-91502	11	SS-4090515-SP	37
302-38802	31, 37	302-66803	57	303-91601	11	SS-4090815-SP	11
302-38901	31, 37	302-66902	57	303-93706	23	SS-4120615-SP	11, 17, 35
302-39008	31, 37	302-67009	57	304-01707	61	SS-4120915-SP	11, 13, 17
302-39107	31, 37	302-67108	57	304-12506	55	SS-4121215-SP	17
302-39503	23	302-67801	39	304-24204	7, 69	SS-4121615-SP	17
302-39800	23	302-74500	39	304-29906	11	SS-5060410-SP	15, 39
302-39909	23	302-76703	45, 49	304-29955	11	SS-5060410-SP	43, 45
302-40006	39, 43, 45	302-78907	3	304-30003	11	SS-6066440-TP	49, 51
302-40006	49, 51	302-79202	3	304-30102	11	SS-6090420-SP	33
302-40204	29, 57, 67	302-79301	3	304-30201	11	SS-6090440-SP	5, 25
302-40303	29	302-79400	3	304-62105	33	SS-6090560-TP	23
302-40501	29	302-79509	3	304-82509	45	SS-6090620-SP	5
302-42804	3	302-79707	3	304-82608	45, 49	SS-6091022-TP	23
302-44503	3	302-85001	33	304-82707	45, 49	SS-6110610-TP	15
302-45302	21	302-87700	31, 33	304-82806	45	SS-6121010-SP	5, 15, 29
302-45906	35	302-87809	31, 33	304-85007	37	SS-6121220-TP	59
302-46508	31, 33	302-87908	31, 33	304-89405	61	SS-6122030-SP	61
302-46607	67	302-88005	33	305-11000	67	SS-6151220-SP	65
302-46706	31, 33	302-88104	37	305-11109	67	SS-6151440-SP	59
302-47001	31, 33	302-88500	19	305-12008	59	SS-6151920-SP	15
302-48504	23	302-88609	19	305-39407	15	SS-6153040-SP	15
302-48900	57	302-88708	19	305-39704	65	SS-7060310-SP	11, 25
302-52209	31, 33, 69	302-88807	23	305-44209	29	SS-7080510-TP	9, 11
302-53306	31	302-89003	57	305-44605	31, 33, 67	SS-7080520-SP	5, 25
302-53801	25	302-89201	27, 57	305-44902	57	SS-7090520-SP	13
302-53900	25	302-89904	9	B1528-804-000A	15	SS-7090530-SP	17, 67
302-54908	57	302-90407	57	B3103-804-000	13	SS-7090610-SP	11
302-54957	57	302-90506	57	B3112-704-000	13	SS-7090910-TP	11
302-55004	57	302-90704	57	B3120-352-000	13	SS-7110410-SP	11, 65
302-55103	57	302-90951	31	B3120-704-000	13	SS-7110910-TP	9, 67
302-55608	57	302-91207	31	B3121-804-000	13	SS-7111120-TP	5, 7
302-56002	57	302-97907	35	B3125-470-000	29	SS-7112420-SP	59
302-56101	57	302-98103	33, 39, 43	B3126-012-000	13	SS-7120640-SP	11, 17
302-56200	57	302-98103	45, 49, 51	B3530-555-000	17	SS-7120710-SP	11, 21
302-56309	57	302-98301	33	CQ-2000000-00	69	SS-7121410-TP	9, 13
302-56408	57	302-98509	31, 33	CQ-2522000-0	5	SS-7121610-SP	61
302-56457	57	302-99205	31	MUY-128A1003	53	SS-7660520-SP	7
302-56506	57	302-99408	33, 51	NS-6110310-SP	59	SS-7681410-TP	7
302-56507	57	302-99705	33	NS-6110420-SP	13	SS-8080310-TP	39, 43, 45
302-56606	57	302-99903	37	NS-6120480-SP	61	SS-8080310-TP	49, 51
302-56705	57	303-02608	43	NS-6150310-SP	15	SS-8080410-TP	11
302-56804	57	303-07300	51	NS-6620320-SP	17	SS-8090540-SP	25
302-56903	57	303-07409	51	NS-6680410-SP	9	SS-8110422-TP	5, 9, 15
302-57000	27, 57	303-07508	51	PH-0400104-U0	29	SS-8110422-TP	29, 61, 65
302-57109	57	303-62800	13	PS-0400142-KH	3	SS-8120410-SP	59
302-57208	57	303-62909	13	RC-0980615-K0	29	SS-8150710-SP	59
302-57307	57	303-63006	13	RE-0500000-K0	15	SS-8150822-TP	29
302-57406	31	303-74805	57	RE-0900000-K0	25	SS-8151150-SP	59, 65
302-57505	31, 69	303-78905	3	RO-0371801-00	3	SS-8660512-TP	9, 23
302-57604	31	303-81400	45	RO-0681901-00	15, 59	SS-8660612-TP	3, 7, 9, 19
302-58602	39	303-82006	3	SD-0380551-SL	11	SS-8660612-TP	21, 29, 61

NUMERICAL INDEX OF PARTS

<u>Part No.</u>	<u>Page No.</u>	<u>Part No.</u>	<u>Page No.</u>	<u>Part No.</u>	<u>Page No.</u>	<u>Part No.</u>	<u>Page No.</u>
SS-8661012-TP	7	US-0005035-4J	3	US-0005039-5J	37	US-0050335-BD	7
SS-8681412-TP	7	US-0005035-4X	31	US-0005039-5T	29	US-0050335-BE	23
SS-8701042-TP	61	US-0005035-7V	11	US-0005039-5U	37	US-0050337-AM	59
SS-9090640-SP	9	US-0005035-7Y	11	US-0005039-6G	31, 33	US-0050337-AP	29
SS-9111010-SP	65	US-0005035-8U	11	US-0005039-6L	67	US-0050337-AW	17
SS-9151740-CP	15	US-0005035-8V	11	US-0005069-2G	13	US-0050342-AY	7
TA-1050504-R0	17	US-0005035-8W	11	US-000671C-23	31	US-0050342-BD	19
TA-1100604-R0	17, 37	US-0005035-8X	5	US-0009700-5D	67	US-0050342-BH	19
TA-1450404-R0	61	US-0005036-0B	9	US-0018Z14-70	21	US-0050343-RC	23
US-0000060-5D	33	US-0005036-0F	9	US-0020476-SW	63	US-0050344-AG	23
US-0000503-02	31	US-0005036-0G	9	US-0029105-BK	23	US-0050344-AP	61
US-0000503-46	11	US-0005036-0H	9	US-0029126-FW	9	US-0050344-AR	19
US-0000503-48	23	US-0005036-4R	37	US-0029476-SA	37	US-0050344-AT	59
US-0000503-4F	31	US-0005036-4S	31, 37	US-0029476-SH	27	US-0050344-AV	3
US-0000503-52	5	US-0005036-4Y	31	US-0029476-SP	61	US-0050344-BK	3
US-0000503-60	9	US-0005036-4Z	37	US-0029476-SS	65	US-0050344-BL	3
US-0000503-66	11	US-0005036-6A	11	US-0029476-TA	37	US-0050344-BM	23
US-0000503-81	15	US-0005036-6B	11	US-0029476-TC	5	US-0050344-BN	3
US-0000503-86	61	US-0005036-6G	11	US-0029476-TH	5	US-0050344-BP	3
US-0000503-89	31	US-0005036-6J	11	US-0029476-TJ	21	US-0050344-BU	3
US-0000503-91	7	US-0005036-7S	29	US-0029476-TK	15	US-0050355-AM	5
US-0000LA4-51	17	US-0005036-7T	29	US-0029476-TP	29	US-0050355-AN	5
US-0002287-5N	13	US-0005037-0F	11	US-0029476-TR	21	US-0050355-AR	15
US-0002992-4M	57	US-0005037-0J	67	US-0029476-TS	21	US-0050355-AS	65
US-0003470-3Z	37	US-0005037-2A	67	US-0029476-TT	15	US-0050357-AH	25
US-0003473-9N	57	US-0005037-2B	67	US-0029476-TU	33	US-0050357-AJ	25
US-0003478-3N	55	US-0005037-5V	65	US-0029476-TV	33	US-0050357-AK	25
US-0003478-5L	67	US-0005037-5Y	65	US-0029476-UA	25	US-0050357-AP	15
US-0005027-7F	61	US-0005037-7C	59	US-0029476-UN	31	US-0050357-AR	11
US-0005030-2A	35	US-0005037-7D	59	US-0029476-UV	65	US-0050357-AS	11
US-0005030-2D	35	US-0005037-7E	61	US-0029476-UX	59	US-0050357-AT	11
US-0005030-4M	25	US-0005037-7G	59	US-0029476-VK	23	US-0050357-AV	11
US-0005031-1C	19	US-0005037-7H	65	US-0029476-VL	21	US-0050357-AW	11
US-0005031-3T	23	US-0005037-7J	61	US-0029476-VT	29	US-0050357-AX	11
US-0005031-4G	23	US-0005037-7L	59	US-0029476-XU	63	US-0050363-CK	11
US-0005031-7B	5	US-0005037-7M	59	US-0034703-ZA	37	US-0050364-VB	37
US-0005031-7C	17	US-0005037-7P	61	US-0034703-ZB	37	US-0050367-AG	25
US-0005032-1J	19	US-0005037-7S	61	US-0050301-BK	37	US-0050377-AA	61
US-0005032-1M	7	US-0005037-7T	59	US-0050301-BW	31	US-0050377-AB	61
US-0005032-3P	5	US-0005037-7U	61	US-0050301-BX	37	US-0050377-AC	65
US-0005032-3S	25	US-0005037-7Z	61	US-0050301-CP	35	US-0050377-AD	65
US-0005033-2S	21	US-0005038-1B	15	US-0050322-AF	7	US-0050377-AE	65
US-0005033-2U	3	US-0005038-1E	3	US-0050322-AH	19	US-0050377-AF	59
US-0005033-2V	15	US-0005038-1F	15	US-0050322-AN	19	US-0050377-AK	65
US-0005033-3H	25	US-0005038-1G	15	US-0050322-AZ	3	US-0050377-AM	59
US-0005033-3P	15	US-0005038-3Y	29	US-0050322-BB	7	US-0050377-AR	59
US-0005034-3B	23	US-0005038-4F	33	US-0050322-BF	27	US-0050377-AT	63
US-0005034-3C	23	US-0005038-4L	17, 61	US-0050322-BG	19	US-0050377-VA	59
US-0005034-5W	5	US-0005038-6B	65	US-0050322-BH	57	US-0050378-AD	65
US-0005034-6A	9	US-0005038-6E	63	US-0050325-AB	25	US-0050382-FU	33
US-0005034-7C	9	US-0005038-6L	27	US-0050325-AL	25	US-0050382-FW	17
US-0005034-7E	3	US-0005038-6M	27	US-0050325-AM	25	US-0050382-FX	17
US-0005034-7F	3	US-0005038-9A	31	US-0050325-AN	25	US-0050382-FY	17, 33
US-0005034-7G	9	US-0005039-0L	19	US-0050330-CZ	3	US-0050382-FZ	17
US-0005034-7J	9	US-0005039-1A	7	US-0050330-FX	49	US-0050382-GB	17
US-0005034-7L	3	US-0005039-2S	11	US-0050335-AF	15	US-0050382-GM	17
US-0005034-7T	29	US-0005039-2T	11	US-0050335-AG	15	US-0050382-GR	37
US-0005035-1A	5	US-0005039-2W	13	US-0050335-AH	15	US-0050382-GS	21
US-0005035-4F	5	US-0005039-2X	13	US-0050335-AP	19	US-0050382-GV	33
US-0005035-4G	5	US-0005039-2Y	13	US-0050335-AW	9	US-0050382-HU	31
US-0005035-4H	3	US-0005039-2Z	13	US-0050335-BC	19	US-0050382-HX	35

NUMERICAL INDEX OF PARTS

<u>Part No.</u>	<u>Page No.</u>	<u>Part No.</u>	<u>Page No.</u>
US-0050382-JA	31	US-50318AE-56	39, 43
US-0050382-JL	17	US-50318AE-56	45, 49
US-0050382-JN	17	US-50318AE-56	51
US-0050382-JU	67	US-50330BH-40	45
US-0050382-KD	69	US-50330BH-64	45
US-0050383-AD	17	US-50330FK-56	49
US-0050383-AE	17	WP-0320501-SC	25
US-0050392-AB	3	WP-0501046-SC	61
US-0050392-AU	11	WP-0742016-SP	9
US-0050392-AV	13	WS-0371026-SD	11
US-0050392-BC	13	WS-0510002-KP	11, 65
US-0050393-EU	17, 33	WZ-0641510-KP	17
US-0050393-EW	17		
US-0050393-EX	21		
US-0050393-EZ	3		
US-0050393-FD	21		
US-0050393-FE	21		
US-0050393-FF	21		
US-0050393-FG	21		
US-0050393-FH	21		
US-0050393-FK	21		
US-0050393-GB	21		
US-0050393-GD	21		
US-0050393-GF	3		
US-0050393-GT	21		
US-0050393-GU	21		
US-0050393-GW	69		
US-0050393-HB	17		
US-0050393-HE	21		
US-0050393-HH	11		
US-0050393-HN	21		
US-0050393-HS	5		
US-0050393-HV	21		
US-0050393-JP	5		
US-0050393-JW	5		
US-0050393-JX	5		
US-0050393-JY	5		
US-0050393-KV	21		
US-0050393-KW	3		
US-0050393-KZ	69		
US-0050393-LA	21		
US-0050394-AF	5		
US-00660Z2-12	17		
US-00661Z2-61	7, 19, 65		
US-00661Z2-62	7		
US-00661Z3-48	19		
US-00666Z3-29	5		
US-00666Z3-30	13		
US-00666Z3-34	17		
US-00671B1-15	67		
US-029480A-WK	67		
US-029480A-YJ	11		
US-029480A-ZV	69		
US-050397A-48	43		
US-0660Z10-89	61		
US-0661Z25-9B	5		
US-099682X-CB	17		
US-34730TB-64	39		
US-50318AE-40	39, 43		
US-50318AE-40	45, 49		
US-50318AE-40	51		

JUKI®

JUKI CORPORATION

JUKI

TEL. 03-3480-1111 TEL. 03-3480-1113

To order or for further
information
please contact:

- * The description covered in this parts list is subject to change for improvement of the commodity without notice.
- * This parts list is edited in accordance with the product specifications as of May 2000.