

**SINGER**  
**861A,862A,872A**

# SINGER

## PARTS LIST

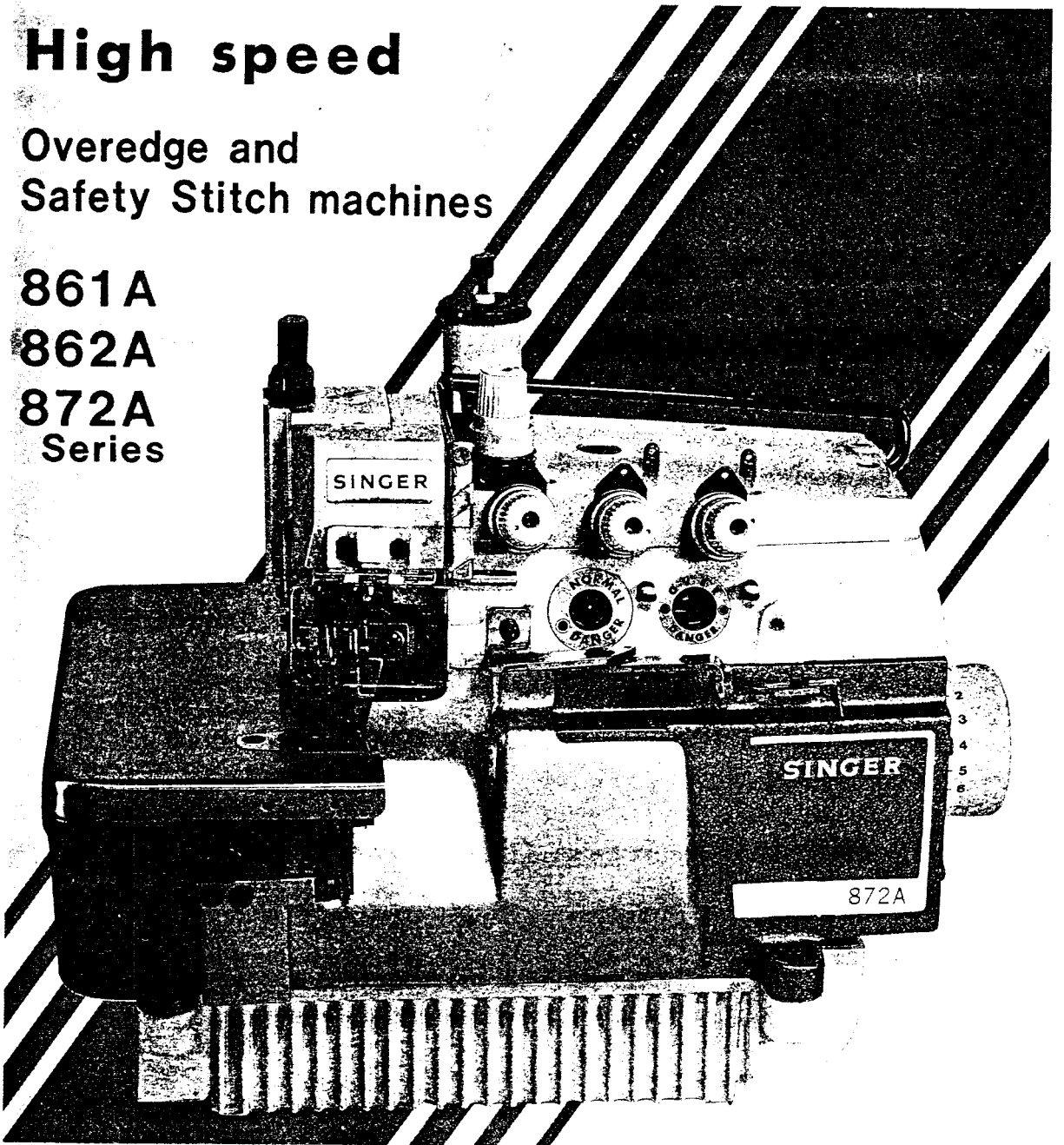
**High speed**

**Overedge and  
Safety Stitch machines**

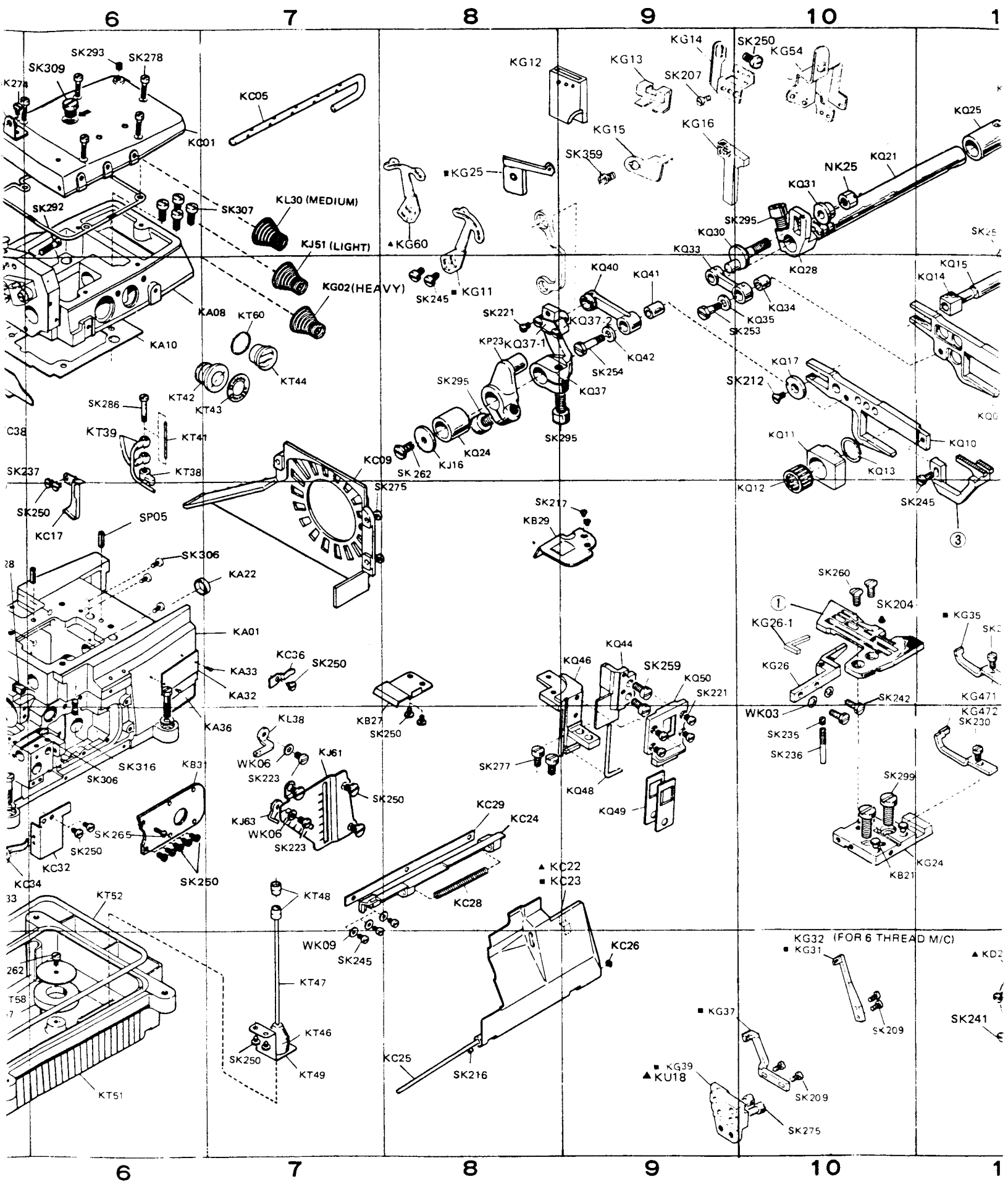
**861A**

**862A**

**872A  
Series**







6

7

8

9

10

1

6

7

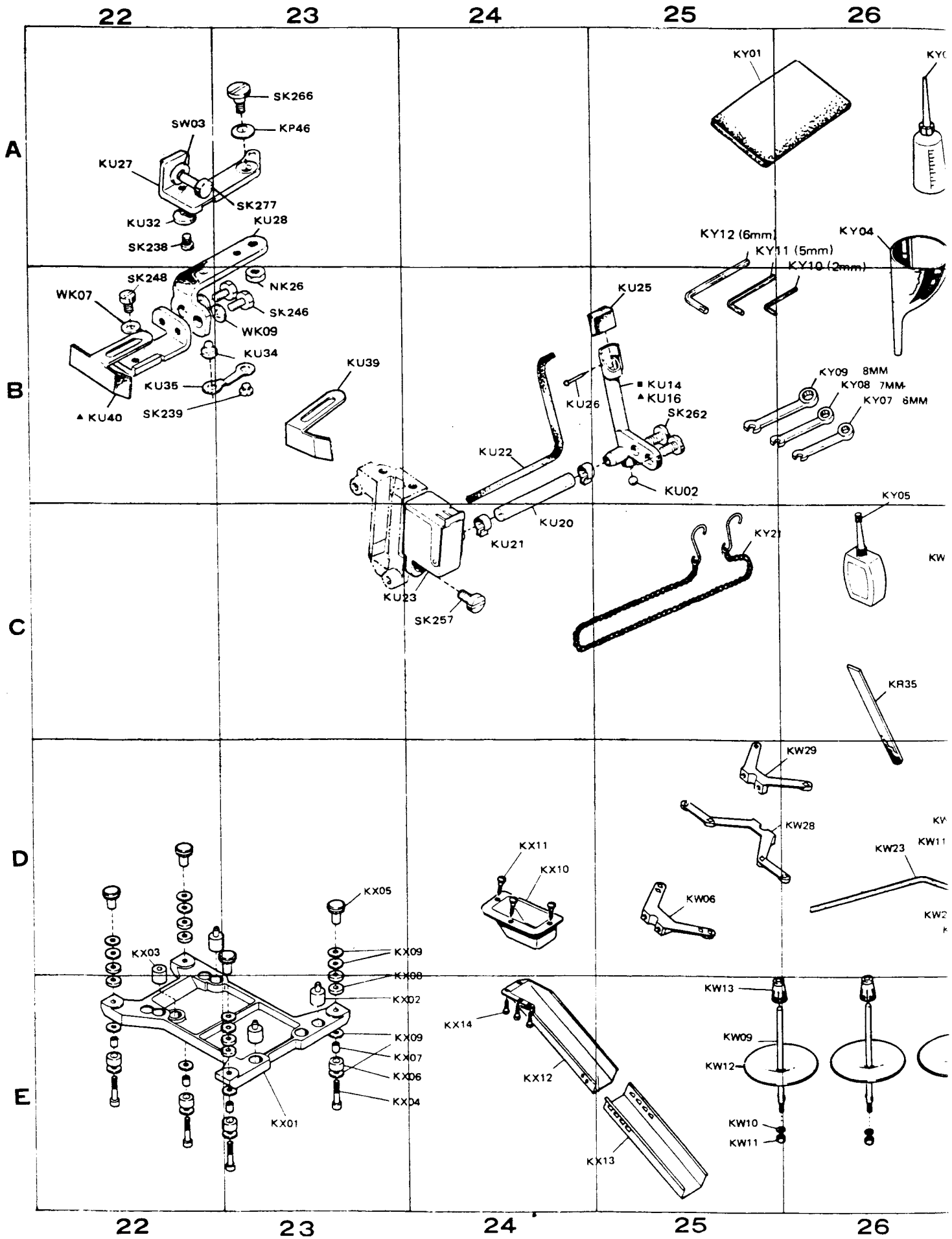
8

9

10

1

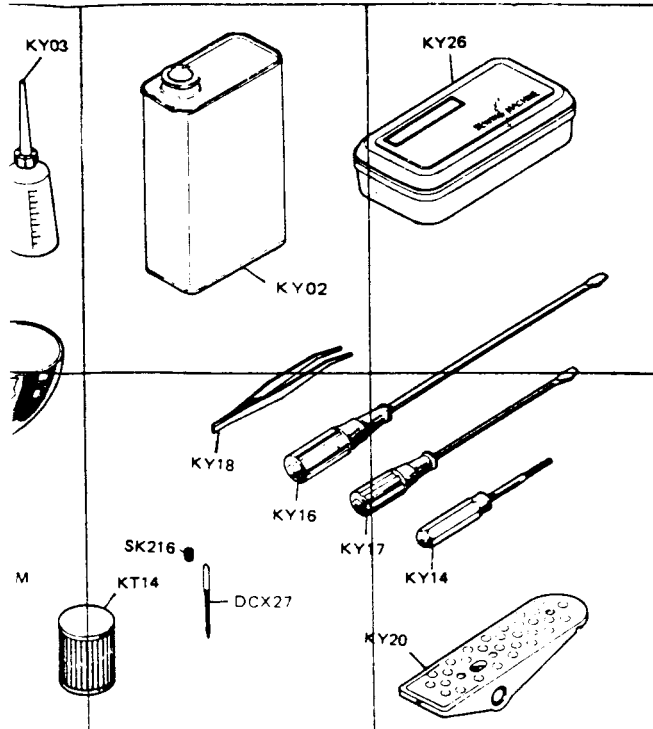




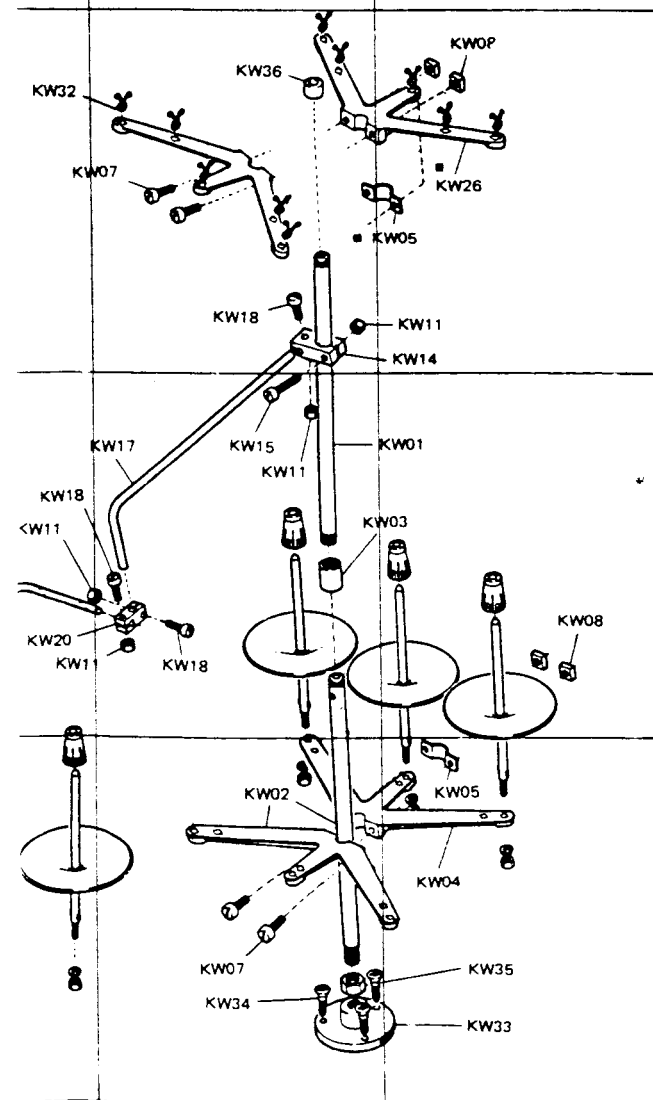
\* PARTS FOR SEWING TYPE 505F1 ONLY

27

28



A  
B



C  
D  
E

27

28

MODEL	GAUGE NG SM	NEEDLE PLATE ①	FEED COMP. MAIN + AUX. ②	DIFF. FEED DOG ③	SHAPE	PITCH	PRESS FOOT ④
861A-001-1	1.5	E934	(D290) D438 + D912	H442		1.6	P152E F5
861A-001-4	4	E800	(D574) D440 + D674	H445		1.6	P23 F3
861A-001-5	5	E797	(D574) D440 + D674	H445		1.6	P230C F3
861A-006-4BK	4	E589	(D390) D675 + D969	H974		1.6	AP9
861A-003-4	4	E784	(D569) D438 + D674	H442		1.6	P152E F1
862A-023-5	2 5	E810	(D575) D440 + D095	H445		1.6	P253 F3
862A-021-4 5	2 4 2 5	E809 E810	(D575) D440 + D095	H445		1.6	P253 P253
862A-022-3BK	2 3	E591	(D390) D675 + D969	H974		1.6	AP9
862A-033-4	2 4	E809	(D996) D958 + D095	H959		1.6	P10
872A-061-4 063-5	2 4 3 5	E834 E839	(D579) D487 + D060	H492		1.6	P5
872A-083-5	5 5	E851	(D581) D489 + D502	H494		1.6	P5
872A-065-5	5 5	E851	(D582) D490 + D502	H495		2.5	P5
872A-069-5	3 5	E982	(D002) D008 + D502	H957		1.6	P5
872A-071-5	5 5	E986	(D003) D490 + D502	H957		1.6	P5
872A-092-6	5 6	E854	(D582) D490 + D502	H495		2.5	P9

- KA -	1E WK06 5D KB15	8D KC28 8D KC29 7E WK09	12E SK241 15C KD30 16C SK213	13C SK204	17D KG59 17D SK243 17D WK05 8A KG60 14 KG25 3A KG12 9A KG13 9A KG15 9A SK359 9A KG16 9A KG14 9A SK207 10A KG54 10A SK250
7C KA01 6D SK306 6C SK135 4B KA04 4B SK292 4B KA06	5D SK279 5D KB17 5D SK268 5D SK235 10D KB21	7E SK245 6D KC32 6D SK250 5D KC34 5D SK233	12E KD33	- KF -	2A KG01 1A KG02 1B KG03 1A KG04 1A KG05 1A KG06 1A KG07 1A KG08 1B KG09 2B KG10 8B KG11 8B SK245 12C SK216 12D DCX27 27B DCX27
5A KA07 6B KA08 7A SK307 6B KA10 6C KA11	1E KB22 1E KB23 2E SK249 2E WK01 2E KB26	7C KC36 7C SK250 5B KC38 4C KC53 4C SK230 4C KC55 5C SK238	15A KF01 14A KF02 15A SK287 14A KF04 15A KF05 15A SK272 15A SK272 15A KF07 18D KF07 15A SK270	- KD -	17B KJ01 17B SK234 16C KJ03 18B WK08 18B SK207 18B KJ06 16C KJ06 18C SK265 18C SW03 17C KJ09 17C KJ10 17C KJ11 17C KJ12 17C SK295 16B KJ15 16B KJ16 8B KJ16 16B SK261 16B SW03 16C KJ19 17C KJ20 18C KJ21 17C KJ22 17C SK298 20D SK228 9E KG39 20E KJ26 20E KJ27 17C SK216 20E KJ29 20D KJ30
4B KA12 5B KA13 5C KA14 4B KA15 5D SK303	1E KB22 1E KB23 2E SK249 2E WK01 2E KB26	7C KC36 7C SK250 5B KC38 4C KC53 4C SK230 4C KC55 5C SK238	15A KF01 14A KF02 15A SK287 14A KF04 15A KF05 15A SK272 15A SK272 15A KF07 18D KF07 15A SK270	- KC -	10A KG54 10A SK250
4D KA21 7C KA22 4D KA24 4C KA25 4C SK257	1E KB22 1E KB23 2E SK249 2E WK01 2E KB26	7C KC36 7C SK250 5B KC38 4C KC53 4C SK230 4C KC55 5C SK238	15A KF01 14A KF02 15A SK287 14A KF04 15A KF05 15A SK272 15A SK272 15A KF07 18D KF07 15A SK270	- KE -	17B KJ01 17B SK234 16C KJ03 18B WK08 18B SK207 18B KJ06 16C KJ06 18C SK265 18C SW03 17C KJ09 17C KJ10 17C KJ11 17C KJ12 17C SK295 16B KJ15 16B KJ16 8B KJ16 16B SK261 16B SW03 16C KJ19 17C KJ20 18C KJ21 17C KJ22 17C SK298 20D SK228 9E KG39 20E KJ26 20E KJ27 17C SK216 20E KJ29 20D KJ30
3C KA27 3C KA28 3C KA29 3C SK257 4C SK261	1E KB22 1E KB23 2E SK249 2E WK01 2E KB26	7C KC36 7C SK250 5B KC38 4C KC53 4C SK230 4C KC55 5C SK238	15A KF01 14A KF02 15A SK287 14A KF04 15A KF05 15A SK272 15A SK272 15A KF07 18D KF07 15A SK270	- KB -	17B KJ01 17B SK234 16C KJ03 18B WK08 18B SK207 18B KJ06 16C KJ06 18C SK265 18C SW03 17C KJ09 17C KJ10 17C KJ11 17C KJ12 17C SK295 16B KJ15 16B KJ16 8B KJ16 16B SK261 16B SW03 16C KJ19 17C KJ20 18C KJ21 17C KJ22 17C SK298 20D SK228 9E KG39 20E KJ26 20E KJ27 17C SK216 20E KJ29 20D KJ30
7C KA32 7C KA33 5A KA34 7D KA36 5A KA37	1E KB22 1E KB23 2E SK249 2E WK01 2E KB26	7C KC36 7C SK250 5B KC38 4C KC53 4C SK230 4C KC55 5C SK238	15A KF01 14A KF02 15A SK287 14A KF04 15A KF05 15A SK272 15A SK272 15A KF07 18D KF07 15A SK270	- KB -	17B KJ01 17B SK234 16C KJ03 18B WK08 18B SK207 18B KJ06 16C KJ06 18C SK265 18C SW03 17C KJ09 17C KJ10 17C KJ11 17C KJ12 17C SK295 16B KJ15 16B KJ16 8B KJ16 16B SK261 16B SW03 16C KJ19 17C KJ20 18C KJ21 17C KJ22 17C SK298 20D SK228 9E KG39 20E KJ26 20E KJ27 17C SK216 20E KJ29 20D KJ30
5B KA38	1E KB22 1E KB23 2E SK249 2E WK01 2E KB26	7C KC36 7C SK250 5B KC38 4C KC53 4C SK230 4C KC55 5C SK238	15A KF01 14A KF02 15A SK287 14A KF04 15A KF05 15A SK272 15A SK272 15A KF07 18D KF07 15A SK270	- KB -	17B KJ01 17B SK234 16C KJ03 18B WK08 18B SK207 18B KJ06 16C KJ06 18C SK265 18C SW03 17C KJ09 17C KJ10 17C KJ11 17C KJ12 17C SK295 16B KJ15 16B KJ16 8B KJ16 16B SK261 16B SW03 16C KJ19 17C KJ20 18C KJ21 17C KJ22 17C SK298 20D SK228 9E KG39 20E KJ26 20E KJ27 17C SK216 20E KJ29 20D KJ30
1D SK268 1D NK26 1E KD06 2E SK240 2E WK09	1E KB22 1E KB23 2E SK249 2E WK01 2E KB26	7C KC36 7C SK250 5B KC38 4C KC53 4C SK230 4C KC55 5C SK238	15A KF01 14A KF02 15A SK287 14A KF04 15A KF05 15A SK272 15A SK272 15A KF07 18D KF07 15A SK270	- KB -	17B KJ01 17B SK234 16C KJ03 18B WK08 18B SK207 18B KJ06 16C KJ06 18C SK265 18C SW03 17C KJ09 17C KJ10 17C KJ11 17C KJ12 17C SK295 16B KJ15 16B KJ16 8B KJ16 16B SK261 16B SW03 16C KJ19 17C KJ20 18C KJ21 17C KJ22 17C SK298 20D SK228 9E KG39 20E KJ26 20E KJ27 17C SK216 20E KJ29 20D KJ30
2E KB11 1E KB12 1E SK221	1E KB22 1E KB23 2E SK249 2E WK01 2E KB26	7C KC36 7C SK250 5B KC38 4C KC53 4C SK230 4C KC55 5C SK238	15A KF01 14A KF02 15A SK287 14A KF04 15A KF05 15A SK272 15A SK272 15A KF07 18D KF07 15A SK270	- KB -	17B KJ01 17B SK234 16C KJ03 18B WK08 18B SK207 18B KJ06 16C KJ06 18C SK265 18C SW03 17C KJ09 17C KJ10 17C KJ11 17C KJ12 17C SK295 16B KJ15 16B KJ16 8B KJ16 16B SK261 16B SW03 16C KJ19 17C KJ20 18C KJ21 17C KJ22 17C SK298 20D SK228 9E KG39 20E KJ26 20E KJ27 17C SK216 20E KJ29 20D KJ30
9E KC26 8E SK216	1E KB22 1E KB23 2E SK249 2E WK01 2E KB26	7C KC36 7C SK250 5B KC38 4C KC53 4C SK230 4C KC55 5C SK238	15A KF01 14A KF02 15A SK287 14A KF04 15A KF05 15A SK272 15A SK272 15A KF07 18D KF07 15A SK270	- KB -	17B KJ01 17B SK234 16C KJ03 18B WK08 18B SK207 18B KJ06 16C KJ06 18C SK265 18C SW03 17C KJ09 17C KJ10 17C KJ11 17C KJ12 17C SK295 16B KJ15 16B KJ16 8B KJ16 16B SK261 16B SW03 16C KJ19 17C KJ20 18C KJ21 17C KJ22 17C SK298 20D SK228 9E KG39 20E KJ26 20E KJ27 17C SK216 20E KJ29 20D KJ30
12E KD28 11E SK241	1E KB22 1E KB23 2E SK249 2E WK01 2E KB26	7C KC36 7C SK250 5B KC38 4C KC53 4C SK230 4C KC55 5C SK238	15A KF01 14A KF02 15A SK287 14A KF04 15A KF05 15A SK272 15A SK272 15A KF07 18D KF07 15A SK270	- KB -	17B KJ01 17B SK234 16C KJ03 18B WK08 18B SK207 18B KJ06 16C KJ06 18C SK265 18C SW03 17C KJ09 17C KJ10 17C KJ11 17C KJ12 17C SK295 16B KJ15 16B KJ16 8B KJ16 16B SK261 16B SW03 16C KJ19 17C KJ20 18C KJ21 17C KJ22 17C SK298 20D SK228 9E KG39 20E KJ26 20E KJ27 17C SK216 20E KJ29 20D KJ30
11D SK241 11D KF37	1E KB22 1E KB23 2E SK249 2E WK01 2E KB26	7C KC36 7C SK250 5B KC38 4C KC53 4C SK230 4C KC55 5C SK238	15A KF01 14A KF02 15A SK287 14A KF04 15A KF05 15A SK272 15A SK272 15A KF07 18D KF07 15A SK270	- KB -	17B KJ01 17B SK234 16C KJ03 18B WK08 18B SK207 18B KJ06 16C KJ06 18C SK265 18C SW03 17C KJ09 17C KJ10 17C KJ11 17C KJ12 17C SK295 16B KJ15 16B KJ16 8B KJ16 16B SK261 16B SW03 16C KJ19 17C KJ20 18C KJ21 17C KJ22 17C SK298 20D SK228 9E KG39 20E KJ26 20E KJ27 17C SK216 20E KJ29 20D KJ30

# CODING SYSTEM 861A 001-4TG

(1) (2) (3) (4)

- (1) BASIC MACHINE  
 a. 861A: SINGLE NEEDLE, 3 THREAD.  
 b. 862A: TWO NEEDLE, 4 THREAD.  
 c. 872A: TWO NEEDLE, 5 THREAD.

- (2) SUB-CLASS  
 (3) OVEREDGE BIGHT  
 (4) AVAILABLE DEVICE

- BK :BACK LATCHING DEVICE  
 CT :PNEUMATIC (FLAT SUCTION) TYPE CHAIN CUTTER  
 EC :ELECTRIC TYPE TAPE CUTTER  
 ES :ELECTRIC HEMMING DEVICE  
 GA :GATHERING DEVICE  
 GB :GATHERING DEVICE (FOR TOP FEED MACHINE)  
 LF-A:ELASTIC FEEDING DEVICE (ELECTRIC TYPE)  
 LF-B:ELASTIC FEEDING DEVICE (MECHANIC TYPE)  
 VT :PNEUMATIC (SIDE SUCTION) TYPE CHAIN CUTTER  
 TG :TAPE GUIDE  
 TU :VENTURI DEVICE  
 FT :FRONT TOP-FEED MECHANISM  
 RT :REAR TOP-FEED MECHANISM

FABRIC GUARD	UPPER LOOPER	SPREADER	NEEDLE HOLDER	NEEDLE DRIVE CRANK	UPPER LOOPER DRIVE CRANK	WASHER	NDL SIZE	FOOT LIFT mm	STH TYPE
KS62	LP22		KG131	KF25 STD	KJ09	KJ10	11	5.5	504
KS62	LP22		KG131	KF25 STD	KJ09	KJ10	9	5.5	504
KS62	LP22		KG131	KF25 STD	KJ09	KJ10	9	5.5	504
KS62	LP22		KG131	KF25 STD	KJ09	KJ10	9	5.5	504
KS62	LP34		KG142	KF26 HI	KJ11	KJ13	14	6.0	512
KS62	LP24		KG142	KF26 HI	KJ11	KJ13	11	6.0	514
KS62	LP24		KG142	KF26 GA, HI	KJ11	KJ13	11	6.0	514
KS42	LP22 (LP21)		KG152 KG153	KF25 STD	KJ11	KJ10	11	5.5	516
KS42	LP24 (LP23)		KG155	KF25 STD	KJ11	KJ10	14	5.5	516
KS42	LP24 (LP23)		KG155	KF26 HI	KJ11	KJ12	16	6.0	516
KS42B	LP24 (LP23)		KG153 KG155	KF25 GA, STD	KJ11	KJ10	14	5.5	516
KS47	LP24 (LP23)		KG155	KF26 HI	KJ11	KJ12	21	6.0	514

SK270	16D KL23	18D KN08	13D KP13	- KQ -	9D KQ48	3B SK272	4E KT06	5E KT58	- KW -	24D KX10
KA21	16D KL25	18D SK295	13D KP14		9D KQ49	4B KS12	4E KT07			24D KX11
KJ35	16D WK11	19C KN10	13D KP15		12B SK209		4E KT08	5E SK262	27D KW01	24D KX12
	16D SK298		13D SK216		11B KQ05	3B SK216	4E KT09	7B KT60	28E KW02	25E KX13
	16D SK241		13D SK215		11B SK245	4B KS14	4E KT10		28D KW03	24E KX14
KJ36		18D KN11			11B SK245	3B SK295		- KU -	28E KW04	- KY -
KJ37	2A KL27	18D KN12			11B KW07	4B KS16	4E SK270		28E KW05	
KJ38	3A KL36	18D KN13	13E KP18			4C SK285	4E KT12	25B KU14	28C KW06	25A KY01
KJ39	7D KL38	18D SK251	13D SK270				4E SK262	25B KU16	27C KW07	26A KY03
KJ40	7D SK223	18D KN16	13E SK218		11B SK245	4C NK21	4B KT15	25B SK262	27C KW07	26B KY05
	7D WK06		13D KP21		11B KQ10	3B KS18		9E KU18	24C KU21	26B KY06
SK262	17D SK257	18D SK251	13D KP22		10B KQ11	21A KR03	3B KT16	24B KU20	28D KW08	26B KY08
KJ42	16D KL43	17E KN18			10B KQ12	21A KR04	3B -KT17	24C KU21		
SK300	16D SK275	17E SK216	8B KP23		10B KQ13	21A SK295	3A SK265	24B KU22	28C KW08	26B KY09
KJ44	17D KL46	18E KN20	8B SK295				3E KT19	24C KU22	25E KW09	26A KY10
KJ45	15D KL57	18E SK233	13A SP25		11B KQ14	20A KR07	3E SK256	24C KU23	25E KW10	26A KY11
			14A SK263		11A KQ15	20A SK270		24C SK257	25E KW11	25A KY12
KJ46		19E KN22	14A KP27		11A SK251	20A KR09	3E KT21	24C KU27	26D KW11	28B KY14
SK221	- KM -	19E SK201			10B KQ17	20A KR12	4E SK270	24B KU26	27D KW11	27B KY16
KJ48		19E KN24	13A KP28		10B SK212	21A KR13	3E KT23	22A KU27	28C KW11	28B KY17
KG51	21C KM01	18E SK264	14B SK295				4E SK270	23A KU28	25E KW12	27B KY18
KJ58	21C SK298	18E KN26	12B KP30		11B KQ19	21A SK272	3E KT24	23A KP46	25D KW13	28B KY20
	21C SW01		13B KP31		11A SK272	20B KR19	2E KT24	23A KU28	26D KW17	27B KY19
SK216	21C KM04	19E KN27	13B KP32		10A KQ21	20B KR20	2E SK304	23B NK26	26D KW18	28C KY21
KJ61	21C SK230	19E SK250			8B SK262	20B SK277	3E KT26	23B NK26	26D KW18	
SK250		19E KN29	13A KP33		8B KQ24		2E KT26	22A KU32	27D KW15	27B KT14
KJ63	21C KM06	19E SK238	14A SK251				4E KT26	23B KU39	26D KW17	28A KY26
SK223	21C SK209	19E WK09	14B KP35		11A KQ25	19B KR22	2E KT26	22A KU32	26D KW18	
	20C KM08		13A SK252		11A SK293	20B KR23	4E KT26	22A KU32	26D KW18	
WK06	20C SK295	17E KN32	12B KP37		10A KQ28	20B SK246	3D SK304	22B KU40	26D KW20	
KJ66	20C SW01	17E SK250			10A SK295	20B KR25	4D SK304	22B WK07	26D KW20	
KS275		16E KN34	12B SK275		9A KQ30	16A KR26	4E SK304	22B WK07	26D KW20	
	20C KM11	15E SK249	12B KP39				2E KT32	22B WK07	26D KW20	
KL -	20C KM12	15E KN36	12B SK271		10A KQ31	16A KR27	2E KT33	22B WK07	26D KW20	
	20C SK251		12B KP41		10A NK25	17A SK258	2D KT33	22B WK07	26D KW20	
KL01	20C KM15	16E KN37	12B SK260		9A KQ33	17A KR29	4E KT34	22B WK07	26D KW20	
SK234	19C KM16	14E KN38			10B KQ34	17A WK02	1C KS54	22B WK07	26D KW20	
KL03		14E SK257	13B KP43		10B KQ35	17A SK256	1C SK219	22B WK07	26D KW20	
WK08	21C KM17	14E KN40	12B SK250				1C KS56	22B WK07	26D KW20	
SK207	20C KM18	15E NK26	12B WK02		10B SK253	16A KR32	6B KT38	22B WK07	26D KW20	
SK265	19B KM20		12C KP46		9B KQ37	16B KR33	6B KT39	22B WK07	26D KW20	
SW03	19B SK270	14E KN42	12B KP47		9B SK295	16B SK275	6B SK286	22B WK07	26D KW20	
KL09	19B KM22	14E KN43			8B SK221	17A KR35	6B KT42	22B WK07	26D KW20	
SK231		14E KN44	12C SK250		9A KQ40	26C KR35	7B KT43	22B WK07	26D KW20	
SK311	19C KM23						7B KT44	22B WK07	26D KW20	
KL11	18B KM24	- KP -	13A KP50		9B KQ41	17A KR36	7E KT45	22B WK07	26D KW20	
KL12	18B SK251		13A KP51		9B KQ42	17A SK261	7E KT47	22B WK07	26D KW20	
SK295	18B NK27		13A KP52		9B SK254		7E KT48	22B WK07	26D KW20	
KL15	- KN -				9C KQ44	- KS -	2C KS62	23E KX01	27C KW36	
KL16			13A SK250		9C SK259		2C SK207	23E KX02		
KL17	17E KN01		13A KP54				1C KS64	23E KX03		
SK261	18D KN02		13A KP54				1C WK08	23E KX04		
SW03	17E KN03		13A SK216				1C SK222	23E KX05		
KL20	17D SK205		13A KP56		9C KQ46		1C KS60	23E KX06		
KL20	17D KN05		13B KP57		8D SK277		1C KS61	23E KX07		
							1C KS61	23E KX08		
KL21	18D WK04						7B KT49	23E KX09		
KL22	18D NK25						7E SK250	23E KX10		