

Form 8968

(747)

Printed in U. S. A.

# LIST OF PARTS



MACHINE No. 105-4

---

THE SINGER MANUFACTURING COMPANY

COPYRIGHT, U. S. A.,  
1918, 1919, 1922 AND 1923  
BY THE SINGER MANUFACTURING CO.  
ALL RIGHTS RESERVED FOR ALL COUNTRIES

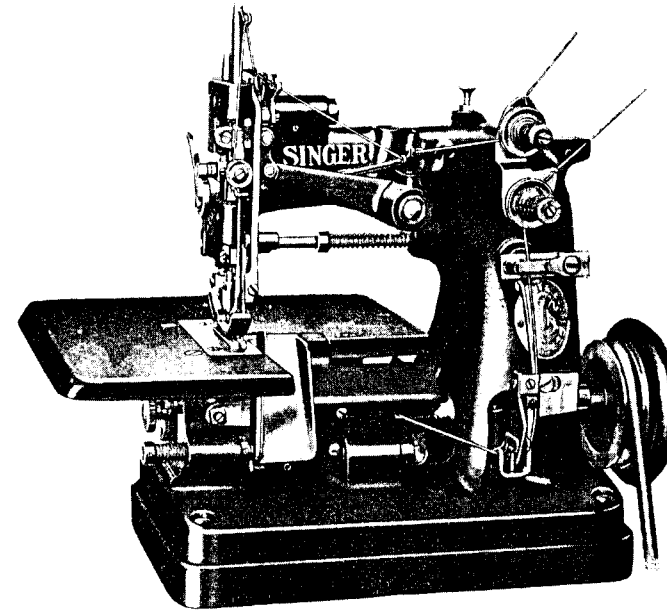
## INDEX

---

	EACH
ACCESSORIES .....	16
KNEE LIFTER PARTS .....	16
KNIFE GRINDER.....	17
IRON BASE .....	16
MACHINE NO. 105-4 .....	7
NUMERICAL LIST OF PARTS .....	19
THREAD UNWINDER .....	18

## LIST OF PARTS COMPLETE

FOR



### MACHINE No. 105-4

FOR STITCHING AND TRIMMING LIGHT, MEDIUM AND HEAVY KNIT GOODS. ONE NEEDLE, ONE LOOPER, VERTICAL SHEAR TRIMMER THAT TRIMS FROM  $\frac{1}{8}$  IN. TO  $\frac{1}{4}$  IN. FROM THE LINE OF STITCHING. AUXILIARY FEED, CHIP CHUTE AND KNEE LIFTER. THREAD CUTTER ON PRESSER FOOT.

NO.	PLATE	NAME
*59338	—	Arm, upper and lower (solid) with 59362 and two 949E. ....
59202	7346	Arm Rotary Shaft .....
*59386	—	" " " Bushing (back) .....
59203	7326	" " " " " 59386 with two 59206. ....
1285c	7326	Arm Rotary Shaft Bushing (back) Set Screw .....

NO.	PLATE	NAME
59400	7347	Arm Rotary Shaft Bushing (front)....
448c	7326	“ “ “ “ “ Set Screw .....
*59382	—	Arm Rotary Shaft Bushing (intermediate)
59205	7326	“ “ “ “ “ 59382 with 59206.....
1285c	7326	Arm Rotary Shaft Bushing (intermediate) Set Screw .....
59206	7326	Arm Rotary Shaft Lubricating Ring.....
59207	7346	“ Side Cover.....
1423D	7335	“ “ “ Screw.....
59208	7346	Balance Wheel, 2 $\frac{3}{8}$ in. diam., with 424c and 1354c.....
1354c	7340	Balance Wheel Position Screw.....
424c	7340	“ “ Set Screw .....
59339	7346	Chute with 59344 and two 664E.....
*59340	7347	“ Bracket.....
*59341	7347	“ “ Hinge Pin.....
59342	7347	“ “ “ “ Spring.....
59343	7347	“ “ “ “ “ Collar with 735c.....
735c	7347	Chute Bracket Hinge Pin Spring Collar Set Screw .....
59343	7347	Chute Bracket Hinge Pin Stop Collar with 735c.....
735c	7347	Chute Bracket Hinge Pin Stop Collar Set Screw .....
447F	7347	Chute Bracket Stop Screw.....
1547J	7347	“ “ “ “ Nut.....
59388	—	Chute Bracket complete, Nos. 447F, 1547J, 59340 and 59341.....
59344	7347	Chute Cushion Spring.....
664E	7347	“ “ “ Screw.....
1443H	7347	“ Screw.....
59345	7354	Cloth Plate with five 57404.....
57404	7347	“ “ Oil Tube.....
691F	7347	“ “ Screw.....
120250	7347	Edge Guide.....
59346	7347	Feed (back) Bar.....
1131F	7347	“ “ “ Hinge Screw.....
59347	7351	“ “ Dog.....
176D	7340	“ “ “ Screw.....
59348	7347	“ “ Regulator.....
59349	7347	“ “ “ Indicator.....
50471D	7347	“ “ Regulating Screw Stud.....
1746D	7347	“ “ “ “ “ Thumb Nut.....

NO.	PLATE	NAME
59350	7346	Feed (front) Bar with two each 458c and 882c.....
59351	7346	Feed (front) Bar Carrier with three 449c.
57234	7346	“ “ “ “ “ Hinge Pin.....
57235	7326	“ “ “ “ “ “ Bush- ing.....
457c	7340	Feed (front) Bar Carrier Hinge Pin Bush- ing Set Screw.....
449c	7340	Feed (front) Bar Carrier Hinge Pin Set Screw.....
59211	7326	Feed (front) Bar Hinge Pin.....
882c	7340	“ “ “ “ “ Set Screw.....
59352	7351	“ “ Dog.....
176D	7340	“ “ “ Screw.....
*59213	—	“ Eccentric.....
*59214	—	“ “ Body.....
443c	7326	“ “ “ Set Screw.....
61171	7347	“ “ Pressure Spring.....
21332	7326	“ “ “ “ Cap.....
934J	7326	“ “ “ “ “ Screw
202D	7326	“ “ Set Screw.....
59215	7326	Feed Eccentric (adjustable) complete, Nos. 202D, 934J, 21332, 50328c, 59213, 59214, 61171 and two 443c.....
59216	7326	Feed Eccentric Connection.....
59217	7326	“ “ “ “ Bar with 59218.....
59218	7326	Feed Eccentric Connection Bar Plug.....
449c	7340	“ “ “ “ Set Screw
59219	7347	“ Lifting Eccentric with two 50150c..
59220	7347	“ “ “ Connection.....
59221	7347	“ “ “ “ Bar with 59218.....
59218	7326	Feed Lifting Eccentric Connection Bar Plug.....
458c	7340	Feed Lifting Eccentric Connection Bar Set Screw.....
50150c	7347	Feed Lifting Eccentric Set Screw.....
50328c	7326	“ Regulating Screw.....
59353	7348	Knife (movable).....
152F	7348	“ “ Clamping Screw.....
59354	7348	“ “ Holder with 152F and 971F.....
971F	7348	Knife (movable) Holder Clamping Screw
59446	—	Knife (movable) Holder Connection (ad- justable) complete, Nos. 59443 to 59445 and two 792D.....

NO.	PLATE	NAME
59443	7348	Knife (movable) Holder Connection (holder end).....
59444	7348	Knife (movable) Holder Connection (shaft end) with 237F.....
50393c	7348	Knife (movable) Holder Connection Hinge Screw.....
1747E	7348	Knife (movable) Holder Connection Hinge Screw Nut.....
59445	7348	Knife (movable) Holder Connection Holder.....
792D	7348	Knife (movable) Holder Connection Screw
237F	7348	" " " " Set Screw
59356	7348	Knife (movable) Holder Connection Shaft
59357	7348	" " " " " "
		Spring.....
27659	7348	Knife (movable) Holder Connection Shaft Spring Collar with 237K.....
237K	7348	Knife (movable) Holder Connection Shaft Spring Collar Set Screw.....
59358	7348	Knife (movable) Holder Driving Crank with 1019c and three 465c.....
465c	7348	Knife (movable) Holder Driving Crank Set Screw.....
59359	7348	Knife (movable) Holder Driving Crank Shaft.....
59360	7348	Knife (movable) Holder Driving Crank Shaft Collar with two 460c.....
460c	7348	Knife (movable) Holder Driving Crank Shaft Collar Set Screw.....
51819	7348	Knife (movable) Holder Roller and Stud
465c	7348	" " " " " "
		Set Screw.....
1019c	7348	Knife (movable) Holder Roller and Stud Set Screw.....
42309	7352	Knife (stationary) with 42049.....
42310	7352	" " Clamping Stud.....
1534D	7352	" " " " Thumb Nut.....
59361	7346	Knife (stationary) Holder.....
59362	7346	" " " Bracket.....
949E	7352	" " " " Screw
1376c	7352	" " " Regulating Thumb Screw.....
122c	7352	Knife (stationary) Holder Screw.....
26523	7352	" " " " Washer
440F	7352	" " " Stop Screw.....
1547J	7347	" " " " " Nut

NO.	PLATE	NAME
42049	7352	Knife (stationary) Stud.....
59396	7349	Looper.....
59398	—	" 59396 with 590D and 59397.....
59381	7349	" Carrier with 50395c.....
59224	7349	" " Driver with two 1186E...
1186E	7349	" " Clamping Screw.....
59225	7349	" " Hole Plug.....
59226	7349	" " Shaft.....
59227	7349	" " " Crank with 1143c..
1143C	7349	" " " " Clamping Screw.....
59364	7346	Looper Cover.....
59365	—	Looper Cover complete, Nos. 59230, 59364 and two 330J.....
59230	7349	Looper Cover Holder.....
59231	7349	" " " Sleeve with 457c...
457C	7340	" " " " Set Screw...
59232	7349	" " Lock Stud.....
59233	7349	" " " " Spring.....
50300D	7349	" " " " " Cap Screw
330J	7349	" " Screw.....
59397	7349	" Needle Guard with 54707.....
54707	7340	" " Steady Pin.....
590D	7349	" " " Screw.....
50395c	7349	" Set Screw.....
59235	7350	Needle Bar (hollow) with 853c and 50138F
42253	7333	" " Bushing.....
457c	7340	" " " Set Screw.....
59366	7350	" " Connecting Bracket with 175c and 460c.....
175D	7350	Needle Bar Connecting Bracket Clamping Screw.....
59237	7350	Needle Bar Connecting Link.....
40247	7350	" " " " Hinge Pin (lower).....
208F	7350	Needle Bar Connecting Link Hinge Pin (lower) Set Screw.....
40247	7350	Needle Bar Connecting Link Hinge Pin (upper).....
460c	7348	Needle Bar Connecting Link Hinge Pin (upper) Set Screw.....
59367	7353	Needle Bar Lever with 208F, 448c and 1036c.....
59239	7353	Needle Bar Lever Connecting Rod with 42367, 59241, 59242 and two each 127E and 647E.....

NO.	PLATE	NAME
59240	7350	Needle Bar Lever Connecting Rod Ball Stud.....
1036c	7340	Needle Bar Lever Connecting Rod Ball Stud Set Screw.....
*59241	—	Needle Bar Lever Connecting Rod Cap (lower).....
127E	7340	Needle Bar Lever Connecting Rod Cap (lower) Screw.....
*59242	—	Needle Bar Lever Connecting Rod Cap (upper).....
647E	7340	Needle Bar Lever Connecting Rod Cap (upper) Screw.....
59243	7350	Needle Bar Lever Connecting Rod Eccentric with 59244 and two 448c.....
59244	7352	Needle Bar Lever Connecting Rod Eccentric Oil Pad (felt) with 189E.....
189E	7352	Needle Bar Lever Connecting Rod Eccentric Oil Pad Screw.....
448c	7326	Needle Bar Lever Connecting Rod Eccentric Set Screw.....
42077	7350	Needle Bar Lever Connecting Rod Guide
187D	7350	“ “ “ “ “ “ Screw.....
59245	7350	Needle Bar Lever Connecting Rod Guide Stud.....
59246	7350	Needle Bar Lever Connecting Rod Guide Stud Bracket with 59245.....
193D	7350	Needle Bar Lever Connecting Rod Guide Stud Bracket Screw.....
42367	7352	Needle Bar Lever Connecting Rod Oil Pad (braided cotton).....
59247	7350	Needle Bar Lever Hinge Pin.....
59248	7350	“ “ “ “ “ Bushing (back).....
624c	7350	Needle Bar Lever Hinge Pin Bushing (back) Set Screw.....
59249	7350	Needle Bar Lever Hinge Pin Bushing (front).....
457c	7340	Needle Bar Lever Hinge Pin Bushing (front) Set Screw.....
448c	7326	Needle Bar Lever Hinge Pin Set Screw...
59894	7350	“ “ Thread Retainer Bracket....
228D	7350	“ “ “ “ “ Screw
10106	7350	“ “ “ “ Disc.....
93H	7350	“ “ “ “ Screw.....
10107	7350	“ “ “ “ Spring.....

NO.	PLATE	NAME
59395	—	Needle Bar Thread Retainer complete, Nos. 93H, 10107, 59394 and two 10106
59321	7335	Needle Guard.....
171D	7335	“ “ Screw.....
50138F	7350	“ Set Screw.....
59251	7333	Presser Bar.....
59252	7333	“ “ Bushing (lower).....
457C	7340	“ “ “ “ Set Screw...
42253	7333	“ “ “ (upper).....
457C	7340	“ “ “ “ Set Screw...
59368	7352	“ “ Lifter.....
51810	7333	“ “ “ Roller and Stud.....
59254	7333	“ “ “ “ Bracket with 51811 and two 51810.....
193D	7350	Presser Bar Lifter Roller Bracket Screw..
89F	7333	“ “ “ Hinge Screw.....
50138F	7333	“ “ “ Stop Screw.....
59255	7333	“ “ Lifting Bracket with 457c...
59256	7333	“ “ “ “ Guide with 620c.....
620c	7333	Presser Bar Lifting Bracket Guide Set Screw.....
457C	7340	Presser Bar Lifting Bracket Set Screw...
59257	7333	“ “ Spring.....
59258	7333	“ “ “ Block.....
51810	7333	“ “ “ Roller and Stud.....
59369	7351	“ Foot with 1019c.....
59370	7351	“ “ Extension.....
59371	7351	“ “ “ Collar with 468c.
468c	7351	“ “ “ “ Set Screw.
59372	7351	“ “ “ Spring.....
59373	7351	“ “ “ “ Guide Pin
1019c	7351	“ “ “ “ “ “ Set Screw.....
59374	7351	Presser Foot Knife Guide.....
229D	7351	“ “ “ “ Screw.....
59375	7351	“ “ Thread Cutter.....
1329D	7351	“ “ “ “ Screw.....
59376	7351	Presser Foot complete, Nos. 229D, 59369 to 59375 and two 1329D.....
59389	7351	Presser Foot Chaining Plate.....
59371	7351	“ “ “ “ Collar with 468c.....
468c	7351	Presser Foot Chaining Plate Collar Set Screw.....
59372	7351	Presser Foot Chaining Plate Spring.....

NO.	PLATE	NAME
59373	7351	Presser Foot Chaining Plate Spring Guide Pin
1019c	7351	Presser Foot Chaining Plate Spring Guide Pin Set Screw
59390	7351	Presser Foot Hinge Pin
468c	7351	" " " " Set Screw
59374	7351	" " Knife Guide
229d	7351	" " " " Screw
59391	—	" " Plate
59392	—	" " Shank with 468c and 1019c.
59375	7351	" " Thread Cutter
1329d	7351	" " " " Screw
59393	—	Presser Foot (hinged) complete, Nos. 229d, 59371 to 59375, 59389 to 59392 and two 1329d.
185H	7340	Presser Foot Screw
1317d	7333	Pressure Regulating Thumb Screw
1547j	7333	" " " " Lock Nut
59264	7352	Slack Thread Controller
95c	7352	" " " Hinge Screw
59266	7333	" " Regulator
59267	7333	" " " Holder with 465c
59268	7333	" " " " Crank with two 465c.
51811	7333	Slack Thread Regulator Holder Crank Roller and Stud
465c	7333	Slack Thread Regulator Holder Crank Set Screw
465c	7333	Slack Thread Regulator Set Screw
59269	7335	Tension (under thread) Bracket
38670	7335	" " " " Steady Pin
2102	7335	" " " Disc
1560c	7335	" " " Regulating Thumb Nut
50148c	7335	Tension (under thread) Screw Stud
42337	7335	" " " Spring
13915	7335	" " " " Bushing
2102	7335	" (upper thread) Disc
1560c	7335	" " " Regulating Thumb Nut
50148c	7335	Tension (upper thread) Screw Stud
1575j	7335	" " " " " Nut
59275	7335	" " " Spring
13915	7335	" " " " Bushing
59270	7335	Thread (under) Eyelet
1423b	7335	" " " Screw

NO.	PLATE	NAME
59271	7335	Thread (under) Nipper Bracket with 9547 and 59301
452c	7335	Thread (under) Nipper Bracket Set Screw
59301	7335	" " " " Stud
59272	7335	" " " Guide Plate
59273	7335	" " " Releasing Bracket
176d	7340	" " " " " Screw
59274	7335	Thread (under) Nipper Releasing Stud
59275	7335	" " " Spring
1423d	7335	" " " " Screw
9547	7335	" " " " Steady Pin
59276	7336	" " Protector
240f	7336	" " " Set Screw
59277	7336	" " Take-up (left)
59278	7336	" " " (right)
59279	7336	" " " Bracket
50302d	7336	" " " " Screw
190d	7336	" " " Screw
59280	7336	" " " Staple
59281	7336	" " " " Holder with 904c
59282	7336	Thread (under) Take-up Staple Holder Collar with 460c.
460c	7348	Thread (under) Take-up Staple Holder Collar Set Screw
59283	7336	Thread (under) Take-up Staple Holder Collar Spring
236f	7336	Thread (under) Take-up Staple Holder Collar Spring Screw
904c	7336	Thread (under) Take-up Staple Set Screw
59284	7336	" " " Stripper
59285	7336	" " " " Bracket with 240f.
596d	7336	Thread (under) Take-up Stripper Bracket Screw
207f	7336	Thread (under) Take-up Stripper Screw
59286	7336	" (upper) Eyelet (front of arm)
462c	7336	" " " " " " Set Screw
59287	7336	Thread (upper) Eyelet (side of arm)
50014c	7336	" " " " " " Set Screw
59289	7352	Thread (upper) Take-up
853c	7352	" " " Set Screw
59377	7351	Throat Plate for 59347 and 59352
59378	7353	" " Packing with 59292

NO.	PLATE	NAME
59292	7336	Throat Plate Packing Position Stud.....
1149c	7340	“ “ “ Screw.....
691F	7347	“ “ “ Screw.....

## IRON BASE

NO.	PLATE	NAME
59295	7354	Machine Base with 100D, 36006, 59296 and four each 840E, 59297 and wood screws 1½ in. No. 14.....
59296	7353	Machine Base Cover.....
36006	7352	“ “ “ Friction Washer....
100D	7340	“ “ “ Hinge Screw.....
840E	7340	“ “ “ Screw.....
59297	7352	“ “ Cushion (felt).....

## ACCESSORIES

NO.	PLATE	NAME
120342	7341	Oiler (copper-plated) with 120343.....
120343	7341	“ Spout, 3½ in. long.....
26026	7341	Screw Driver (large).....
26485	7341	“ “ (small).....
120341	7341	Tweezers (curved).....
4822	7341	Wrench for 1547 and 1747.....
22003	7341	“ “ 1575.....

## KNEE LIFTER PARTS

NO.	PLATE	NAME
32040	—	Chain, 12¾ in. long, with 56864 and 56865
56864	7346	“ Hook (large).....
56865	7352	“ “ (small).....
59298	7353	Lifting Lever with 194D.....
21D	7340	“ “ Hinge Screw.....
59299	7352	“ “ Spring.....
194D	7340	“ “ “ Screw Stud.....
7124	7354	Rock Shaft.....
2764	7354	“ “ Hanger (back) with two wood screws 1 in. No. 10.....
16128	7354	Rock Shaft Hanger (front) with two wood screws 1 in. No. 10.....
16646	7354	Rock Shaft Knee Arm.....

NO.	PLATE	NAME
16647	—	Rock Shaft Knee Arm complete, Nos. 2766, 2767 and 16646.....
2766	7354	Rock Shaft Knee Arm Hub with 356c....
356c	7340	“ “ “ “ “ Set Screw....
2767	7354	“ “ “ Plate with 356c.....
356c	7340	“ “ “ “ Set Screw.....
6337	7354	“ “ Lifting Bracket with two 356c
6338	7354	“ “ “ “ Hook.....
356c	7340	“ “ “ “ “ Set Screw.....
356c	7340	“ “ “ “ “ Set Screw....
32134	7354	“ “ Spring.....
2770	7354	“ “ “ Adjusting Dog with 356c.....
356c	7340	Rock Shaft Spring Adjusting Dog Set Screw.....
2770	7354	Rock Shaft Stop Dog with 356c.....
356c	7340	“ “ “ “ “ Set Screw.....
32135	7354	Rock Shaft complete, Nos. 2764, 6337, 6338, 7124, 16128, 16647, 32134 and three 2770.....
59300	—	Knee Lifter complete (power table) Nos. 21D, 194D, 32040, 32135, 59298 and 59299.....

## KNIFE GRINDER

### FOR 42309 AND 59353

NO.	PLATE	NAME
41326	7353	Emery Wheel.....
1508E	5569	“ “ Clamping Nut.....
41327	7353	“ “ Shaft.....
41328	7353	“ “ “ Pulley with 1036c....
1036c	5569	“ “ “ “ Set Screw....
41513	5569	“ “ Washer.....
41329	5567	Frame with 1036c.....
878J	5569	“ Oil Hole Stop Screw.....
126012	7353	Knife Holder with two 14222.....
41331	7353	“ “ Bracket with 157E.....
157E	5569	“ “ “ Clamping Screw ..
42065	5569	“ “ “ Hinge Stud.....
1036c	5569	“ “ “ “ “ Set Screw.....
717c	5569	Knife Holder Bracket Stop Screw.....
1520c	5569	“ “ “ “ “ Nut....
41333	5569	“ “ Clamp.....
41334	5569	“ “ “ Spring.....



## KNIFE GRINDER

NO.	PLATE	NAME
14222	5569	Knife Holder Clamp Steady Pin.....
771D	5569	“ “ “ Thumb Screw.....
970D	5569	“ “ Regulating Thumb Screw..
313C	5569	“ “ Screw Centre.....
1519E	5569	“ “ “ “ Nut.....
41332	5569	“ “ Spring.....
126013	—	Knife Grinder complete, Nos. 717C, 970D, 1508E, 1520C, 41326 to 41329, 41331, 41332, 42065, 126012, two each 313C, 771D, 878J, 1519E, 41333, 41334, 41513 and three wood screws 1¼ in. No. 12

## THREAD UNWINDER

## FOR TWO SPOOLS

NO.	PLATE	NAME
225395	7233	Spool Rest with 201018C.....
225388	7233	“ “ Rod.....
200383C	7352	“ “ “ Set Screw.....
201018C	7352	“ “ Set Screw.....
202490	7233	“ Stand with 200383C.....
60913	7233	“ Weight with 60914.....
60914	7352	“ “ Centre Pin.....
225391	7233	Thread Guide.....
201696	7252	“ “ Lock Nut.....
225392	7233	“ “ Rod with 208E and 225393
208E	7350	“ “ “ Screw.....
225393	7352	“ “ “ Washer.....
225396	7233	Thread Unwinder complete, Nos. 201696J, 202490, 225388, 225392, 225395, two each 60913, 225391 and three wood screws ⅞ in. No. 13.....
27739	7234	Thread Cone (wood) for large cones....
225390	7234	“ “ Holder, for inverted cones..

NOTE: Nos. 27739 and 225390 are used with,  
but not included in, 225396.

NUMERICAL

LIST

OF PARTS

## NUMERICAL LIST OF PARTS

NO. PLATE	NAME
21D 7340	Lifting Lever Hinge Screw for 59300 . . . . .
89F 7333	Presser Bar Lifter Hinge Screw . . . . .
93H 7350	Needle Bar Thread Retainer Screw for 59395 . . . . .
95C 7352	Slack Thread Controller Hinge Screw . . . . .
100D 7340	Machine Base Cover Hinge Screw for 59295 . . . . .
122C 7352	Knife (stationary) Holder Screw . . . . .
127E 7340	Needle Bar Lever Connecting Rod Cap (lower) Screw for 59239 . . . . .
152F 7348	Knife (movable) Clamping Screw for 59354
157E 5569	" Grinder Knife Holder Bracket Clamping Screw for 41331 . . . . .
171D 7335	Needle Guard Screw . . . . .
175D 7350	" Bar Connecting Bracket Clamping Screw for 59366 . . . . .
176D 7340	Feed (back) Dog Screw . . . . .
176D 7340	" (front) Dog Screw . . . . .
176D 7340	Thread (under) Nipper Releasing Bracket Screw . . . . .
185H 7340	Presser Foot Screw . . . . .
187D 7350	Needle Bar Lever Connecting Rod Guide Screw . . . . .
189E 7352	Needle Bar Lever Connecting Rod Eccen- tric Oil Pad Screw for 59244 . . . . .
190D 7336	Thread (under) Take-up Screw . . . . .
193D 7350	Needle Bar Lever Connecting Rod Guide Stud Bracket Screw . . . . .
193D 7350	Presser Bar Lifter Roller Bracket Screw
194D 7340	Lifting Lever Spring Screw Stud for 59298 and 59300 . . . . .
202D 7326	Feed Eccentric Set Screw for 59215 . . . . .
207F 7336	Thread (under) Take-up Stripper Screw . . . . .
208F 7350	Needle Bar Connecting Link Hinge Pin (lower) Set Screw for 59367 . . . . .
208E 7350	Thread Unwinder Thread Guide Rod Screw for 225392 . . . . .
228D 7350	Needle Bar Thread Retainer Bracket Screw . . . . .
229D 7351	Presser Foot Knife Guide Screw for 59376 and 59393 . . . . .
236F 7336	Thread (under) Take-up Staple Holder Collar Spring Screw . . . . .

NO. PLATE	NAME
237F 7348	Knife (movable) Holder Connection Set Screw for 59444.....
237K 7348	Knife (movable) Holder Connection Shaft Spring Collar Set Screw for 27659....
240F 7336	Thread (under) Protector Set Screw for 59285.....
313c 5569	Knife Grinder Knife Holder Screw Centre for 126013.....
330J 7349	Looper Cover Screw for 59365.....
356c 7340	Rock Shaft Knee Arm Hub Set Screw for 2766.....
356c 7340	Rock Shaft Knee Plate Set Screw for 2767
356c 7340	“ “ Lifting Bracket Hook Set Screw for 6337.....
356c 7340	Rock Shaft Lifting Bracket Set Screw for 6337.....
356c 7340	Rock Shaft Spring Adjusting Dog Set Screw for 2770.....
356c 7340	Rock Shaft Stop Dog Set Screw for 2770
424c 7340	Balance Wheel Set Screw for 59208.....
440F 7352	Knife (stationary) Holder Stop Screw...
443c 7326	Feed Eccentric Body Set Screw for 59215
447F 7347	Chute Bracket Stop Screw for 59388....
448c 7326	Arm Rotary Shaft Bushing (front) Set Screw.....
448c 7326	Needle Bar Lever Connecting Rod Eccentric Set Screw for 59243.....
448c 7326	Needle Bar Lever Hinge Pin Set Screw for 59367.....
449c 7340	Feed (front) Bar Carrier Hinge Pin Set Screw for 59351.....
449c 7340	Feed Eccentric Connection Bar Set Screw for 59351.....
452c 7335	Thread (under) Nipper Bracket Set Screw
457c 7340	Feed (front) Bar Carrier Hinge Pin Bushing Set Screw.....
457c 7340	Looper Cover Holder Sleeve Set Screw for 59231.....
457c 7340	Needle Bar Bushing Set Screw.....
457c 7340	“ “ Lever Hinge Pin Bushing (front) Set Screw.....
457c 7340	Presser Bar Bushing (lower) Set Screw...
457c 7340	“ “ “ (upper) Set Screw...
457c 7340	“ “ Lifting Bracket Set Screw for 59255.....
458c 7341	Feed Lifting Eccentric Connection Bar Set Screw for 59350.....

NO. PLATE	NAME
460c 7348	Knife (movable) Holder Driving Crank Shaft Collar Set Screw for 59360.....
460c 7348	Needle Bar Connecting Link Hinge Pin (upper) Set Screw for 59366.....
460c 7348	Thread (under) Take-up Staple Holder Collar Set Screw for 59282.....
462c 7336	Thread (upper) Eyelet (front of arm) Set Screw.....
465c 7348	Knife (movable) Holder Driving Crank Set Screw for 59358.....
465c 7348	Knife (movable) Holder Roller and Stud Set Screw for 59358.....
465c 7333	Slack Thread Regulator Holder Crank Set Screw for 59268.....
465c 7333	Slack Thread Regulator Set Screw for 59267.....
468c 7351	Presser Foot Chaining Plate Collar Set Screw for 59371.....
468c 7351	Presser Foot Extension Collar Set Screw for 59371.....
468c 7351	Presser Foot Hinge Pin Set Screw for 59392.....
590D 7349	Looper Needle Guard Screw for 59398..
596D 7336	Thread (under) Take-up Stripper Bracket Screw.....
620c 7333	Presser Bar Lifting Bracket Guide Set Screw for 59256.....
624c 7350	Needle Bar Lever Hinge Pin Bushing (back) Set Screw.....
647E 7340	Needle Bar Lever Connecting Rod Cap (upper) Screw for 59239.....
664E 7347	Chute Cushion Spring Screw for 59339
691F 7347	Cloth Plate Screw.....
691F 7347	Throat Plate Screw.....
717c 5569	Knife Grinder Knife Holder Bracket Stop Screw for 126013.....
735c 7347	Chute Bracket Hinge Pin Spring Collar Set Screw for 59343.....
735c 7347	Chute Bracket Hinge Pin Stop Collar Set Screw for 59343.....
771D 5569	Knife Grinder Knife Holder Clamp Thumb Screw for 126013.....
792D 7348	Knife (movable) Holder Connection Screw for 59446.....
840E 7340	Machine Base Screw for 59295.....
853c 7352	Thread (upper) Take-up Set Screw for 59235.....

## NUMERICAL LIST OF PARTS

NO.	PLATE	NAME
878J	5569	Knife Grinder Frame Oil Hole Stop Screw for 126013.....
882c	7340	Feed (front) Bar Hinge Set Screw for 59350.....
904c	7336	Thread (under) Take-up Staple Set Screw for 59281.....
934J	7326	Feed Eccentric Pressure Spring Cap Screw for 59215.....
949E	7352	Knife (stationary) Holder Bracket Screw for 59338.....
970D	5569	Knife Grinder Knife Holder Regulating Thumb Screw for 126013.....
971F	7348	Knife (movable) Holder Clamping Screw for 59354.....
1019c	7348	Knife (movable) Holder Roller and Stud Set Screw for 59358.....
1019c	7351	Presser Foot Chaining Plate Spring Guide Pin Set Screw for 59392.....
1019c	7351	Presser Foot Extension Spring Guide Pin Set Screw for 59369.....
1036c	7340	Needle Bar Lever Connecting Rod Ball Stud Set Screw for 59367.....
1036c	5569	Knife Grinder Emery Wheel Shaft Pulley Set Screw for 41328.....
1036c	5569	Knife Grinder Knife Holder Bracket Hinge Stud Set Screw for 41329.....
1131F	7347	Feed (back) Bar Hinge Screw.....
1143c	7349	Looper Carrier Shaft Crank Clamping Screw for 59227.....
1149c	7340	Throat Plate Packing Screw.....
1186E	7349	Looper Carrier Driver Clamping Screw for 59224.....
1285c	7326	Arm Rotary Shaft Bushing (back) Set Screw.....
1285c	7326	Arm Rotary Shaft Bushing (intermediate) Set Screw.....
1317D	7333	Pressure Regulating Thumb Screw.....
1329D	7351	Presser Foot Thread Cutter Screw for 59376 and 59393.....
1354c	7340	Balance Wheel Position Screw for 59208.....
1376c	7352	Knife (stationary) Holder Regulating Thumb Screw.....
1423D	7335	Arm Side Cover Screw.....
1423D	7335	Thread (under) Eyelet Screw.....
1423D	7335	" " Nipper Spring Screw.....
1443H	7347	Chute Screw.....

## NUMERICAL LIST OF PARTS

NO.	PLATE	NAME
1508E	5569	Knife Grinder Emery Wheel Clamping Nut for 126013.....
1519E	5569	Knife Grinder Knife Holder Screw Centre Nut for 126013.....
1520c	5569	Knife Grinder Knife Holder Bracket Stop Screw Nut for 126013.....
1534D	7352	Knife (stationary) Clamping Stud Thumb Nut.....
1547J	7347	Chute Bracket Stop Screw Nut for 59388.....
1547J	7347	Knife (stationary) Holder Stop Screw Nut.....
1547J	7333	Pressure Regulating Thumb Screw Lock Nut.....
1560c	7335	Tension (under thread) Regulating Thumb Nut.....
1560c	7335	Tension (upper thread) Regulating Thumb Nut.....
1575J	7335	Tension (upper thread) Screw Stud Nut.....
1746D	7347	Feed (back) Regulating Screw Stud Thumb Nut.....
1747E	7348	Knife (movable) Holder Connection Hinge Screw Nut.....
2102	7335	Tension (under thread) Disc.....
2102	7335	" (upper thread) Disc.....
2764	7354	Rock Shaft Hanger (back) with two wood screws 1 in. No. 10, for 32135.....
2766	7354	Rock Shaft Knee Arm Hub with 356c, for 16647.....
2767	7354	Rock Shaft Knee Plate with 356c, for 16647.....
2770	7354	Rock Shaft Spring Adjusting Dog with 356c, for 32135.....
2770	7351	Rock Shaft Stop Dog with 356c, for 32135.....
4822	7341	Wrench for 1547 and 1747 (Accessories).....
6337	7354	Rock Shaft Lifting Bracket with two 356c, for 32135.....
6338	7354	Rock Shaft Lifting Bracket Hook for 32135.....
7124	7354	Rock Shaft for 32135.....
9547	7335	Thread (under) Nipper Spring Steady Pin for 59271.....
10106	7350	Needle Bar Thread Retainer Disc for 59395.....
10107	7350	Needle Bar Thread Retainer Spring for 59395.....
13915	7335	Tension (under thread) Spring Bushing.....
13915	7335	" (upper thread) Spring Bushing.....

NO.	PLATE	NAME
14222	5569	Knife Grinder Knife Holder Clamp Steady Pin for 126012
16128	7354	Rock Shaft Hanger (front) with two wood screws 1 in. No. 10, for 32135
16646	7354	Rock Shaft Knee Arm for 16647
16647	—	Rock Shaft Knee Arm complete for 32135, Nos. 2766, 2767 and 16646
21332	7326	Feed Eccentric Pressure Spring Cap for 59215
22003	7341	Wrench for 1575 (Accessories)
26026	7341	Screw Driver, large (Accessories)
26485	7341	" " small (Accessories)
26523	7352	Knife (stationary) Holder Screw Washer
27659	7348	" (movable) Holder Connection Shaft Spring Collar with 237K
27739	7234	Thread Unwinder Thread Cone (wood) for large cones, for 225396
32040	—	Chain, 12 $\frac{3}{4}$ in. long, with 56864 and 56865, for 59300
32134	7354	Rock Shaft Spring for 32135
32135	7354	Rock Shaft complete for 59300, Nos. 2764, 6337, 6338, 7124, 16128, 16647, 32134 and three 2770
36006	7352	Machine Base Cover Friction Washer for 59295
38670	7335	Tension (under thread) Bracket Steady Pin
40247	7350	Needle Bar Connecting Link Hinge Pin (lower)
40247	7350	Needle Bar Connecting Link Hinge Pin (upper)
Nos. 41326 TO 41329 FOR 126013		
41326	7353	Knife Grinder Emery Wheel
41327	7353	" " " " Shaft
41328	7353	" " " " " Pulley with 1036c
41329	5567	Knife Grinder Frame with 1036c
Nos. 41331 TO 41334 FOR 126013		
41331	7353	Knife Grinder Knife Holder Bracket with 157E
41332	5569	Knife Grinder Knife Holder Spring
41333	5569	" " " " Clamp
41334	5569	" " " " Spring
41513	5569	" " Emery Wheel Washer for 126013

NO.	PLATE	NAME
42049	7352	Knife (stationary) Stud for 42309
42065	5569	" Grinder Knife Holder Bracket Hinge Stud for 126013
42077	7350	Needle Bar Lever Connecting Rod Guide
42253	7333	" " Bushing
42253	7333	Presser Bar Bushing (upper)
42309	7352	Knife (stationary) with 42049
42310	7352	" " Clamping Stud
42337	7335	Tension (under thread) Spring
42367	7352	Needle Bar Lever Connecting Rod Oil Pad (braided cotton) for 59239
50014c	7336	Thread (upper) Eyelet (side of arm) Set Screw
50138f	7350	Needle Set Screw for 59235
50138f	7333	Presser Bar Lifter Stop Screw
50148c	7335	Tension (under thread) Screw Stud
50148c	7335	" (upper thread) Screw Stud
50150c	7347	Feed Lifting Eccentric Set Screw for 59219
50300b	7349	Looper Cover Lock Stud Spring Cap Screw
50302b	7336	Thread (under) Take-up Bracket Screw
50328c	7326	Feed Regulating Screw for 59215
50393c	7348	Knife (movable) Holder Connection Hinge Screw
50395c	7349	Looper Set Screw for 59381
50471d	7347	Feed (back) Regulating Screw Stud
51810	7333	Presser Bar Lifter Roller and Stud for 59254
51810	7333	Presser Bar Spring Roller and Stud for 59254
51811	7333	Slack Thread Regulator Holder Crank Roller and Stud for 59254
51819	7348	Knife (movable) Holder Roller and Stud
52975	7335	Tension (upper thread) Spring
54707	7349	Looper Needle Guard Steady Pin for 59397
56864	7346	Chain Hook (large) for 32040
56865	7352	" " (small) for 32040
57234	7346	Feed (front) Bar Carrier Hinge Pin
57235	7326	" " " " " Bushing
57404	7347	Cloth Flate Oil Tube for 59345
59202	7346	Arm Rotary Shaft
59203	7326	" " " Bushing (back) 59386 with two 59206
59205	7326	Arm Rotary Shaft Bushing (intermediate) 59382 with 59206

NO.	PLATE	NAME
59206	7326	Arm Rotary Shaft Lubricating Ring for 59203 and 59205.....
59207	7346	Arm Side Cover.....
59208	7346	Balance Wheel, 2 $\frac{3}{8}$ in. diam., with 424c and 1354c.....
59211	7326	Feed (front) Bar Hinge Pin.....
*59213	—	“ Eccentric for 59215.....
*59214	—	“ “ Body for 59215.....
59215	7326	Feed Eccentric (adjustable) complete, Nos. 202b, 934J, 21332, 50328c, 59213, 59214, 61171 and two 443c.....
59216	7326	Feed Eccentric Connection.....
59217	7326	“ “ “ Bar with 59218.....
59218	7326	Feed Eccentric Connection Bar Plug for 59217.....
59218	7326	Feed Lifting Eccentric Connection Bar Plug for 59221.....
59219	7347	Feed Lifting Eccentric with two 50150c..
59220	7347	“ “ “ Connection.....
59221	7347	“ “ “ “ Bar with 59218.....
59224	7349	Looper Carrier Driver with two 1186E...
59225	7349	“ “ Hole Plug.....
59226	7349	“ “ Shaft.....
59227	7349	“ “ “ Crank with 1143c..
59230	7349	“ Cover Holder for 59365.....
59231	7349	“ “ “ Sleeve with 457c...
59232	7349	“ “ Lock Stud.....
59233	7349	“ “ “ Spring.....
59235	7350	Needle Bar (hollow) with 853c and 50138F.....
59237	7350	Needle Bar Connecting Link.....
59239	7353	“ “ Lever Connecting Rod with 42367, 59241, 59242 and two each 127E and 647E.....
59240	7350	Needle Bar Lever Connecting Rod Ball Stud.....
*59241	—	Needle Bar Lever Connecting Rod Cap (lower) for 59239.....
*59242	—	Needle Bar Lever Connecting Rod Cap (upper) for 59239.....
59243	7350	Needle Bar Lever Connecting Rod Eccentric with 59244 and two 448c.....
59244	7352	Needle Bar Lever Connecting Rod Eccentric Oil Pad (felt) with 189E, for 59243

NO.	PLATE	NAME
59245	7350	Needle Bar Lever Connecting Rod Guide Stud for 59246.....
59246	7350	Needle Bar Lever Connecting Rod Guide Stud Bracket with 59245.....
59247	7350	Needle Bar Lever Hinge Pin.....
59248	7350	“ “ “ “ “ Bushing (back).....
59249	7350	Needle Bar Lever Hinge Pin Bushing (front).....
59251	7333	Presser Bar.....
59252	7333	“ “ Bushing (lower).....
59254	7333	“ “ Lifter Roller Bracket with 51811 and two 51810.....
59255	7333	Presser Bar Lifting Bracket with 457c...
59256	7333	“ “ “ “ Guide with 620c.....
59257	7333	Presser Bar Spring.....
59258	7333	“ “ “ Block.....
59264	7352	Slack Thread Controller.....
59266	7333	“ “ Regulator.....
59267	7333	“ “ “ Holder with 465c
59268	7333	“ “ “ “ Crank with two 465c.....
59269	7335	Tension (under thread) Bracket.....
59270	7335	Thread (under) Eyelet.....
59271	7335	“ “ Nipper Bracket with 9547 and 59301.....
59272	7335	Thread (under) Nipper Guide Plate....
59273	7335	“ “ “ Releasing Bracket
59274	7335	“ “ “ “ Stud...
59275	7335	“ “ “ Spring.....
59276	7336	“ “ Protector.....
59277	7336	Thread (under) Take-up (left).....
59278	7336	“ “ “ (right).....
59279	7336	“ “ “ Bracket.....
59280	7336	“ “ “ Staple.....
59281	7336	“ “ “ “ Holder with 904c.....
59282	7336	Thread (under) Take-up Staple Holder Collar with 460c.....
59283	7336	Thread (under) Take-up Staple Holder Collar Spring.....
59284	7336	Thread (under) Take-up Stripper.....
59285	7336	“ “ “ “ Bracket with 240F.....
59286	7336	Thread (upper) Eyelet (front of arm)....
59287	7336	“ “ “ (side of arm).....

NO.	PLATE	NAME
59289	7352	Thread (upper) Take-up
59292	7336	Throat Plate Packing Position Stud for 59378
59295	7354	Machine Base with 100D, 36006, 59296 and four each 840E, 59297 and wood screws 1½ in. No. 14
59296	7353	Machine Base Cover for 59295
59297	7352	" Cushion (felt) for 59295
59298	7353	Lifting Lever with 194D, for 59300
59299	7352	" " Spring for 59300
59300	—	Knee Lifter complete (power table) Nos. 21D, 194D, 32040, 32135, 59298 and 59299
59301	7335	Thread (under) Nipper Bracket Stud for 59271
59321	7335	Needle Guard
*59338	—	Arm, upper and lower (solid) with 59362 and two 949E
59339	7346	Chute with 59344 and two 664E
*59340	7347	" Bracket for 59388
*59341	7347	" " Hinge Pin for 59388
59342	7347	" " " " Spring
59343	7347	" " " " " Collar with 735C
59343	7347	Chute Bracket Hinge Pin Stop Collar with 735C
59344	7347	Chute Cushion Spring for 59339
59345	7354	Cloth Plate with five 57404
59346	7347	Feed (back) Bar
59347	7351	" " Dog
59348	7347	" " Regulator
59349	7347	" " Indicator
59350	7346	" (front) Bar with two each 458C and 882C
59351	7346	Feed (front) Bar Carrier with three 449C
59352	7351	" " Dog
59353	7348	Knife (movable)
59354	7348	" " Holder with 152F and 971F
59356	7348	Knife (movable) Holder Connection Shaft
59357	7348	" " " " " Spring
59358	7348	Knife (movable) Holder Driving Crank with 1019C and three 465C
59359	7348	Knife (movable) Holder Driving Crank Shaft

NO.	PLATE	NAME
59360	7348	Knife (movable) Holder Driving Crank Shaft Collar with two 460C
59361	7346	Knife (stationary) Holder
59362	7346	" " " Bracket for 59338
59364	7346	Looper Cover for 59365
59365	—	Looper Cover complete, Nos. 59230, 59364 and two 330J
59366	7350	Needle Bar Connecting Bracket with 175D and 460C
59367	7353	Needle Bar Lever with 208F, 448C and 1036C
59368	7352	Presser Bar Lifter
59369	7351	" Foot with 1019C, for 59376
59370	7351	" " Extension for 59376
59371	7351	" " Chaining Plate Collar with 468C, for 59393
59371	7351	Presser Foot Extension Collar with 468C, for 59376
59372	7351	Presser Foot Chaining Plate Spring for 59393
59372	7351	Presser Foot Extension Spring for 59376
59373	7351	" " Chaining Plate Spring Guide Pin for 59393
59373	7351	Presser Foot Extension Spring Guide Pin for 59376
59374	7351	Presser Foot Knife Guide for 59376 and 59393
59375	7351	Presser Foot Thread Cutter for 59376 and 59393
59376	7351	Presser Foot complete, Nos. 229D, 59369 to 59375 and two 1329D
59377	7351	Throat Plate for 59347 and 59352
59378	7353	" " Packing with 59292
59381	7349	Looper Carrier with 50395C
*59382	—	Arm Rotary Shaft Bushing (intermediate) for 59205
*59386	—	Arm Rotary Shaft Bushing (back) for 59203
59388	—	Chute Bracket complete, Nos. 447F, 1547J, 59340 and 59341
Nos. 59389 TO 59392 FOR 59393		
59389	7351	Presser Foot Chaining Plate
59390	7351	" " Hinge Pin
59391	—	" " Plate
59392	—	" " Shank with 468C and 1019C

NO.	PLATE	NAME
59393	—	Presser Foot Hinge complete, Nos. 229d, 59371 to 59375, 59389 to 59392 and two 1329d. ....
59394	7350	Needle Bar Thread Retainer Bracket for 59395. ....
59395	—	Needle Bar Thread Retainer complete, Nos. 93n, 10107, 59394 and two 10106. ....
59396	7349	Looper for 59398. ....
59397	7349	" Needle Guard with 54707, for 59398. ....
59398	—	Looper 59396 with 590d and 59397. ....
59400	7347	Arm Rotary Shaft Bushing (front). ....
		Nos. 59443 to 59445 for 59446
59443	7348	Knife (movable) Holder Connection (holder end). ....
59444	7348	Knife (movable) Holder Connection (shaft end) with 237F. ....
59445	7348	Knife (movable) Holder Connection Holder. ....
59446	—	Knife (movable) Holder Connection (adjustable) complete, Nos. 59443 to 59445 and two 792b. ....
60913	7233	Thread Unwinder Spool Weight with 60914, for 225396. ....
60914	7352	Thread Unwinder Spool Weight Centre Pin for 60913. ....
61171	7347	Feed Eccentric Pressure Spring for 59215. ....
120250	7347	Edge Guide. ....
120341	7341	Tweezers, curved (Accessories). ....
120342	7341	Oiler (copper-plated) with 120343 (Accessories). ....
120343	7341	Oiler Spout, 3½ in. long, for 120342. ....
126012	7353	Knife Grinder Knife Holder with two 14222, for 126013. ....
126013	—	Knife Grinder complete for 42309 and 59353, Nos. 717c, 970d, 1508e, 1520c, 41326 to 41329, 41331, 41332, 42065, 126012, two each 313c, 771d, 878j, 1519e, 41333, 41334, 41513 and three wood screws 1¼ in. No. 12. ....
200383c	7352	Thread Unwinder Spool Rest Rod Set Screw for 202490. ....
201018c	7352	Thread Unwinder Spool Rest Set Screw for 225395. ....
201696j	7352	Thread Unwinder Thread Guide Lock Nut for 225396. ....

NO.	PLATE	NAME
202490	7233	Thread Unwinder Spool Stand with 200383c, for 225396. ....
225388	7233	Thread Unwinder Spool Rest Rod for 225396. ....
225390	7234	Thread Unwinder Thread Cone Holder, for inverted cones, for 225396. ....
225391	7233	Thread Unwinder Thread Guide for 225396. ....
225392	7233	Thread Unwinder Thread Guide Rod with 208E and 225393, for 225396. ....
225393	7352	Thread Unwinder Thread Guide Rod Washer for 225392. ....
225395	7233	Thread Unwinder Spool Rest with 201018c, for 225396. ....
225396	7233	Thread Unwinder complete, for two spools, Nos. 201696j, 202490, 225388, 225392, 225395, two each 60913, 225391 and three wood screws ¾ in. No. 13. ...



ILLUSTRATIONS

OF

PARTS

PLATE 5567—ONE-HALF SIZE

41329

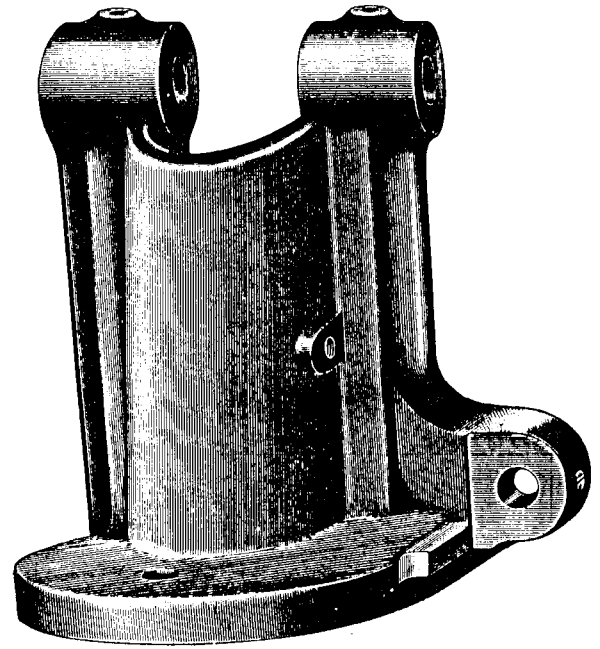


PLATE 5569—FULL SIZE

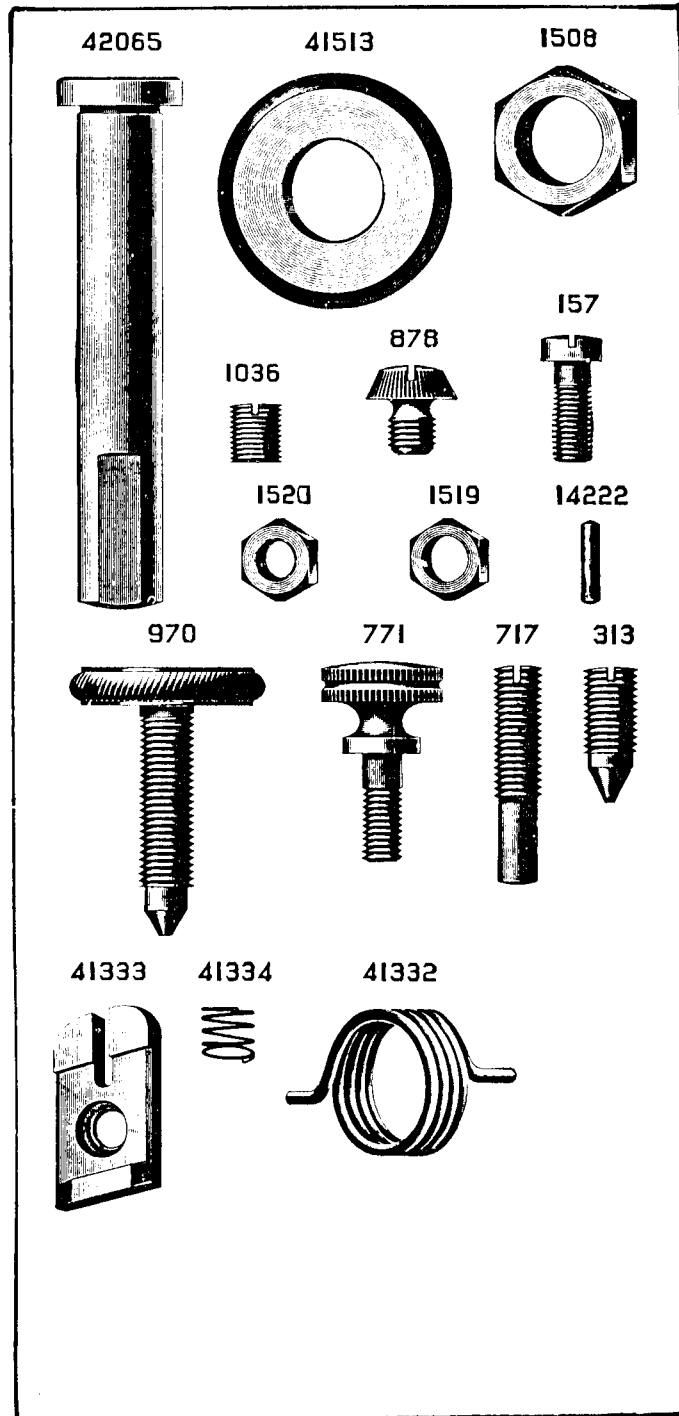


PLATE 7233—ONE-FOURTH SIZE

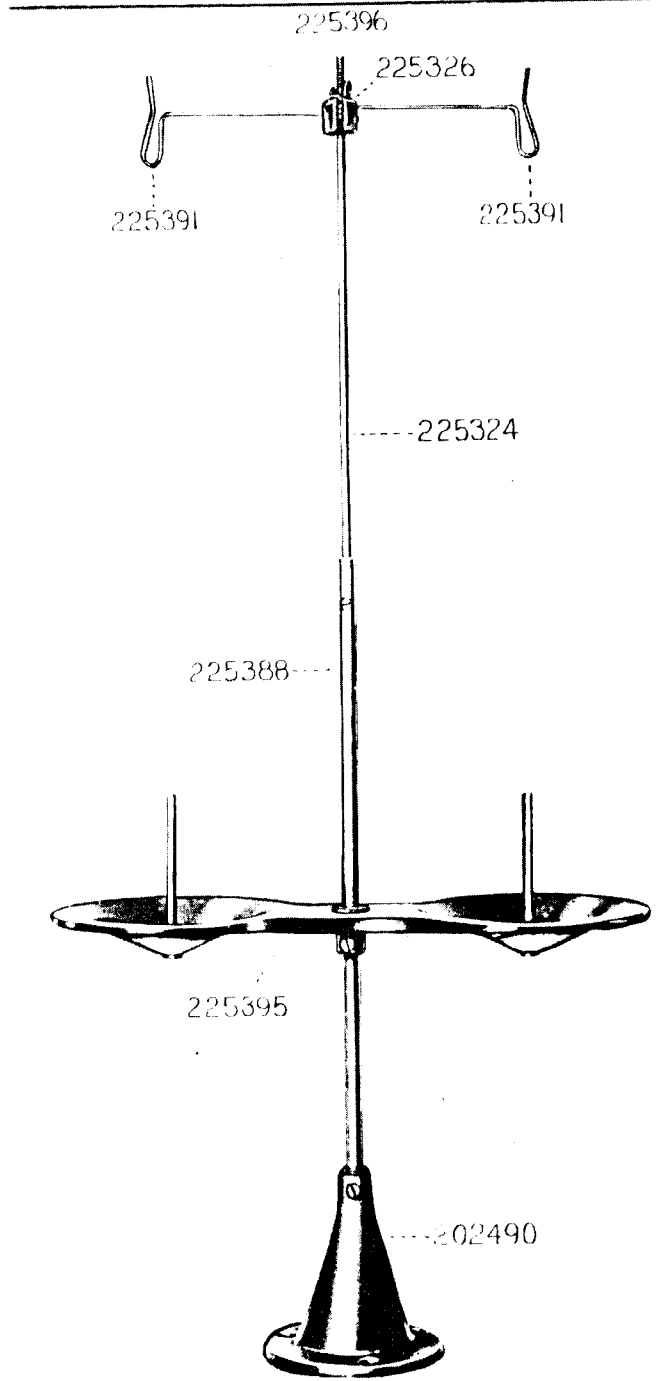


PLATE 7234—ONE-HALF SIZE

27739



225390

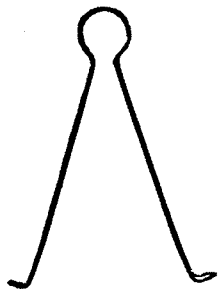


PLATE 7326—FULL SIZE

59203



59205



59204



1285



448



57235



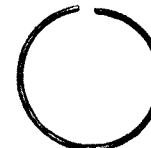
59211



59217



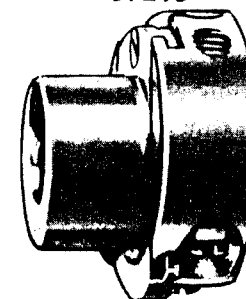
59206



443



59215



202



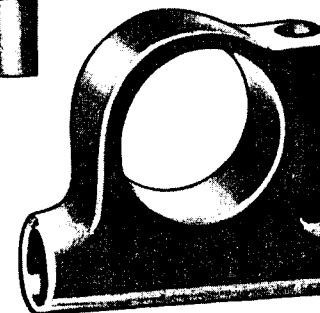
934



59218



59216



50328



21332



21331



PLATE 7333—FULL SIZE

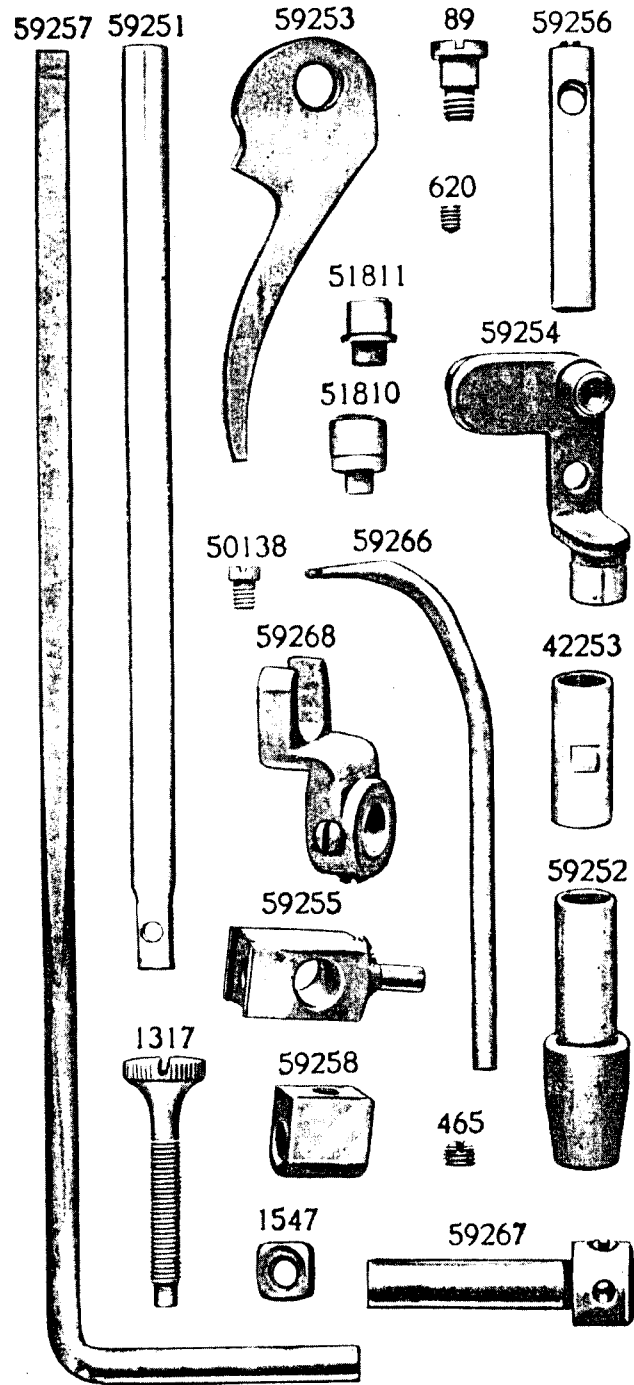


PLATE 7335 - FULL SIZE

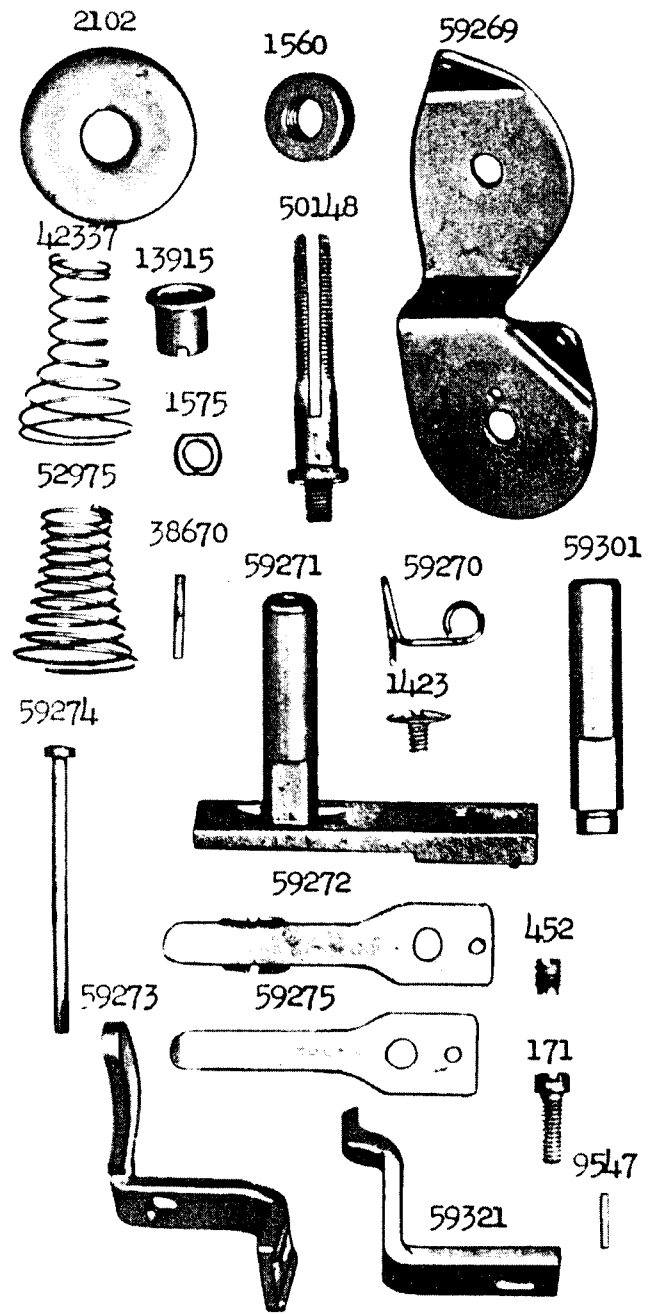


PLATE 7336 - FULL SIZE

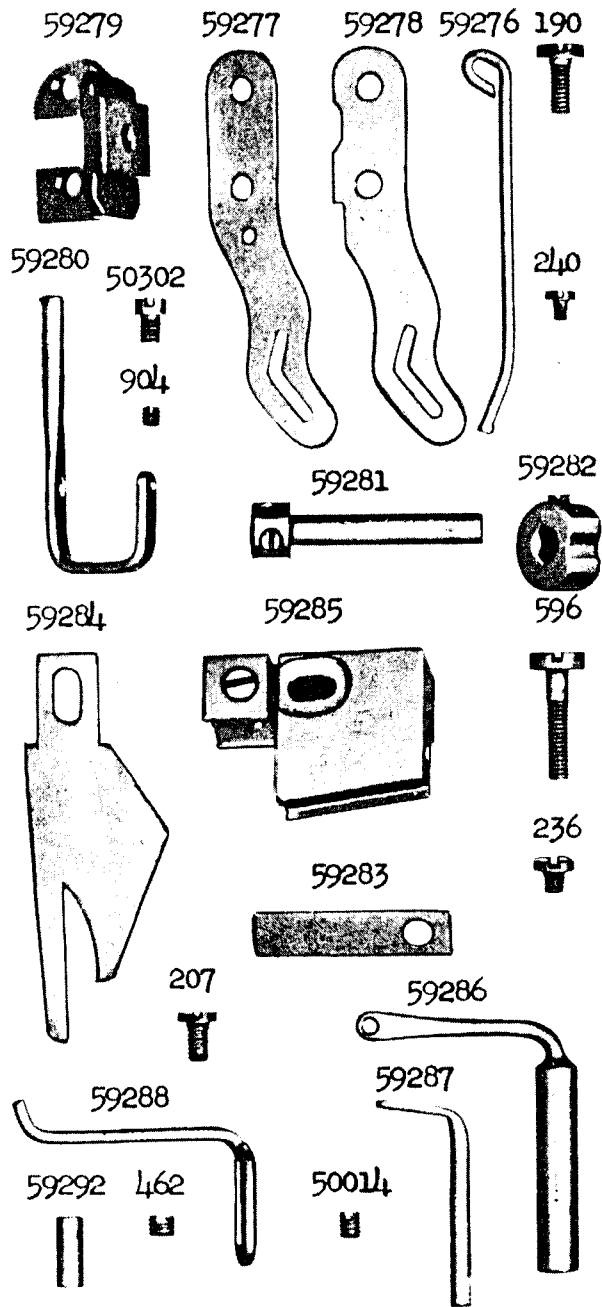


PLATE 7340 - FULL SIZE

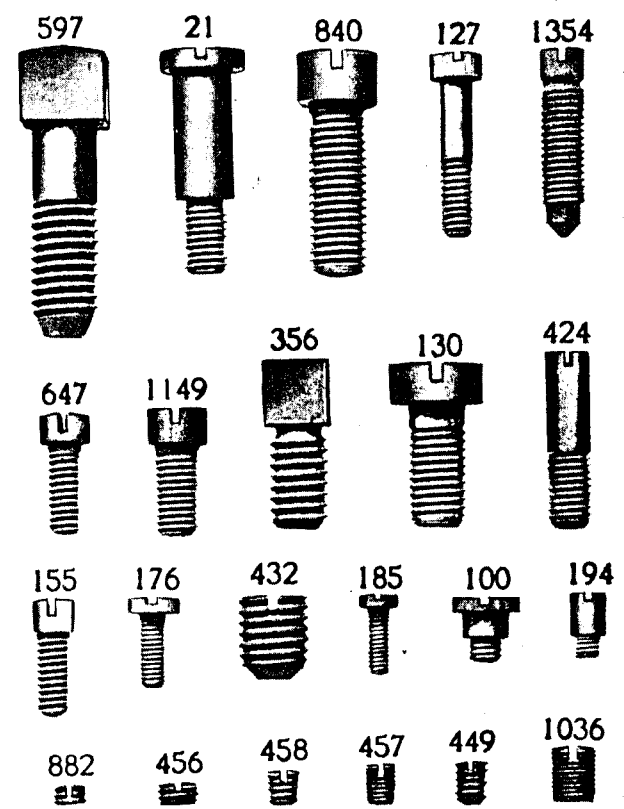


PLATE 7341—ONE-HALF SIZE

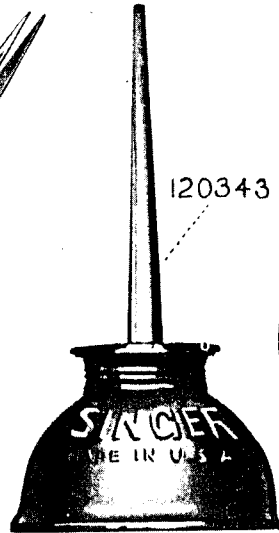
26026



120341



120342



120343

26485



25539



4822



22003



19079

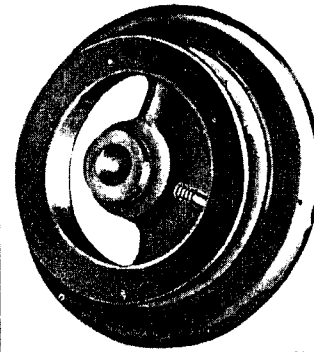


PLATE 7346—ONE-HALF SIZE

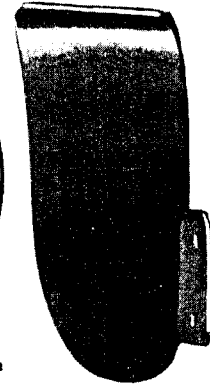
59202



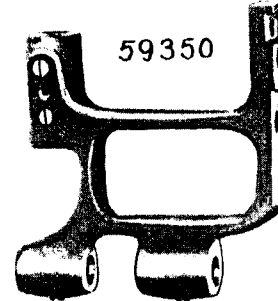
59208



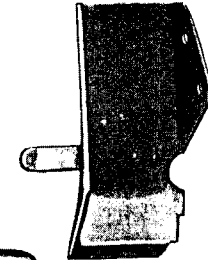
59207



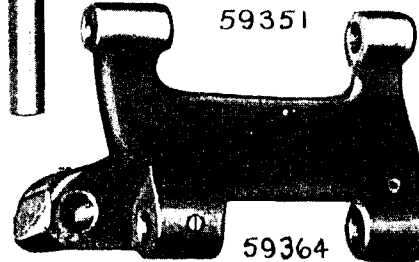
59350



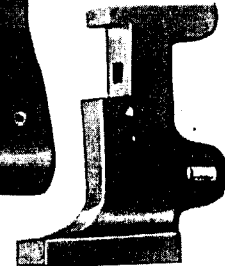
59339



59351

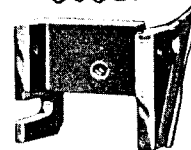


59362



59364

59361



56864



57234



PLATE 7347—FULL SIZE

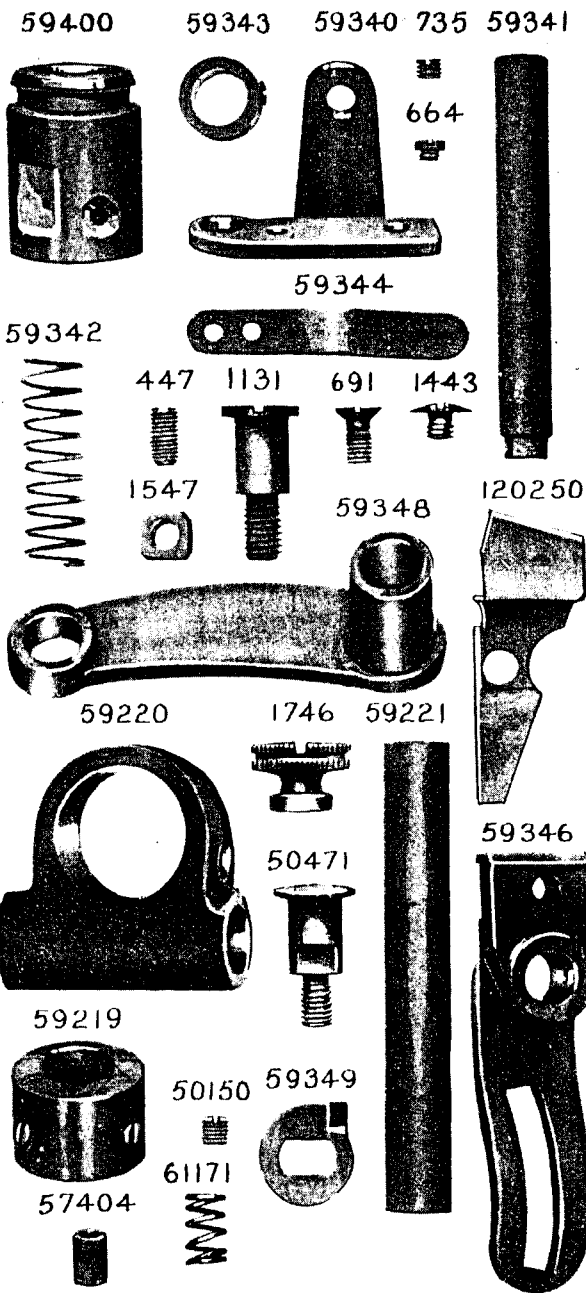


PLATE 7348—FULL SIZE

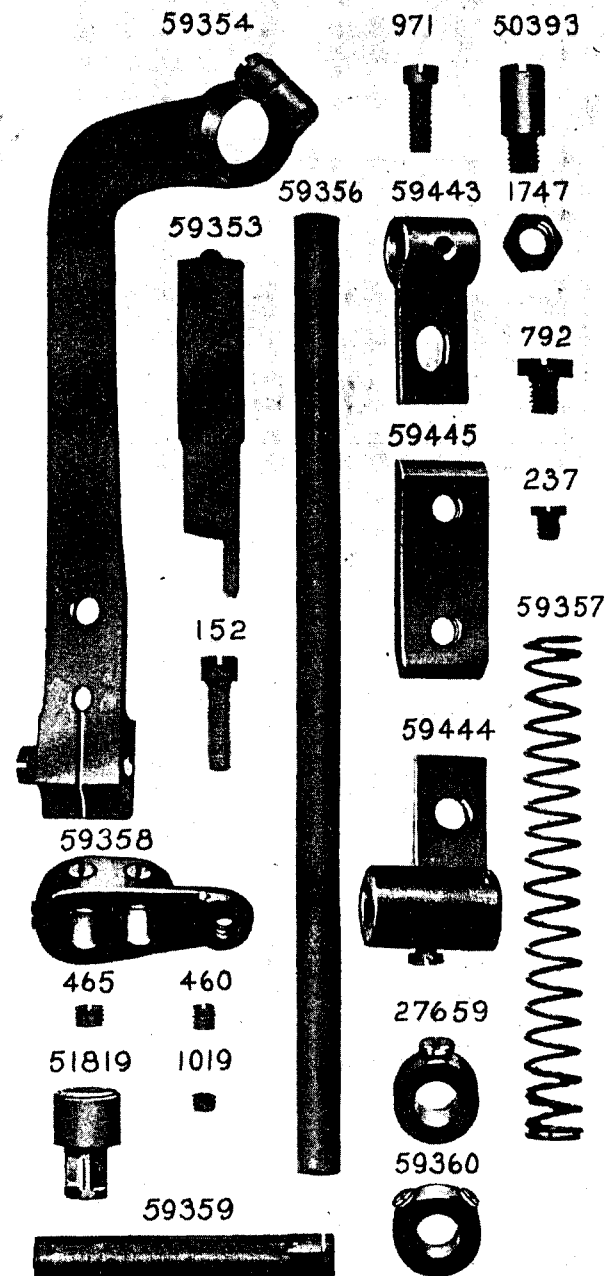




PLATE 7349—FULL SIZE

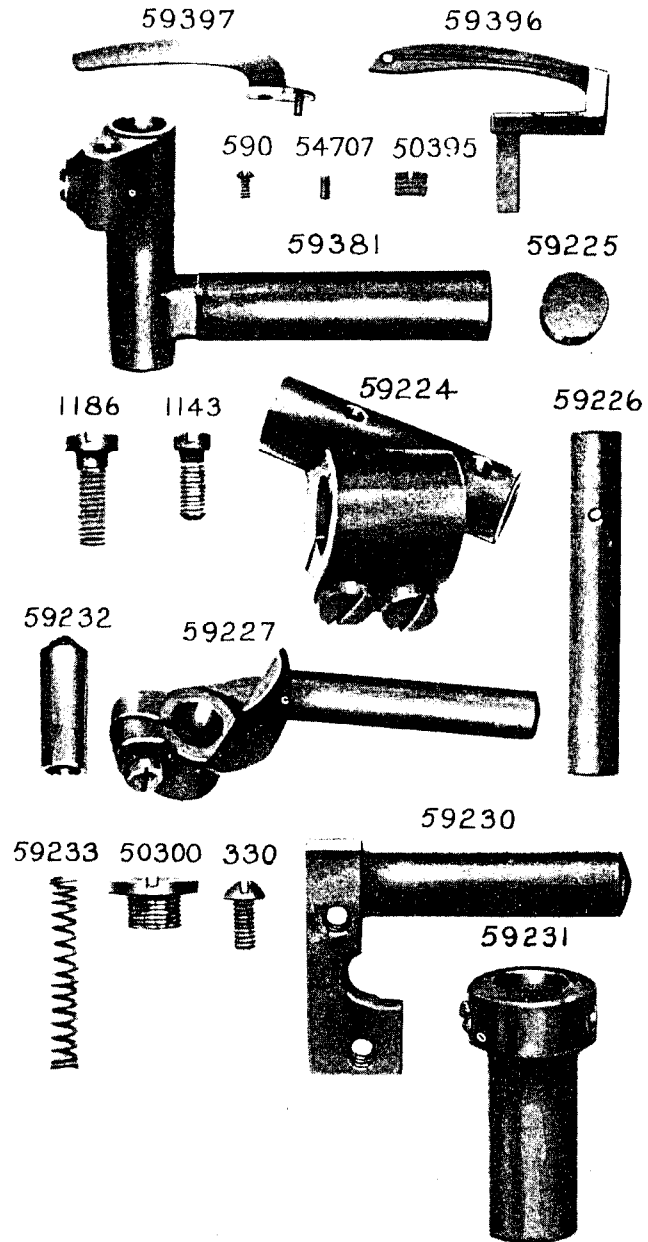


PLATE 7350—FULL SIZE

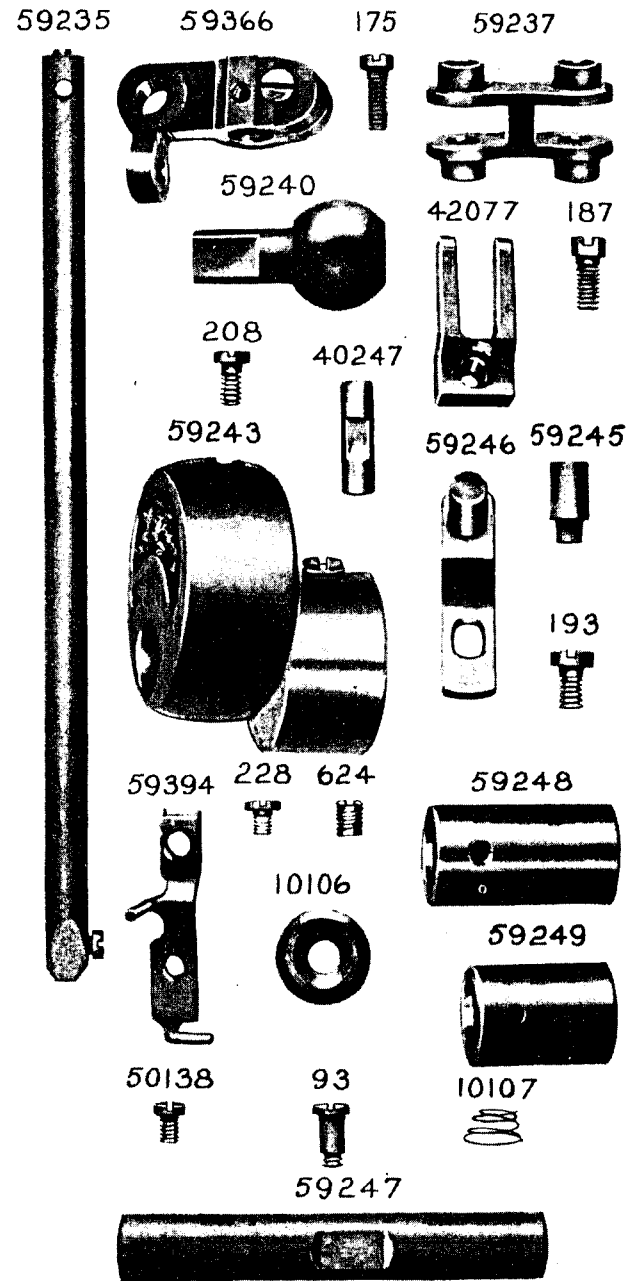


PLATE 7351—FULL SIZE

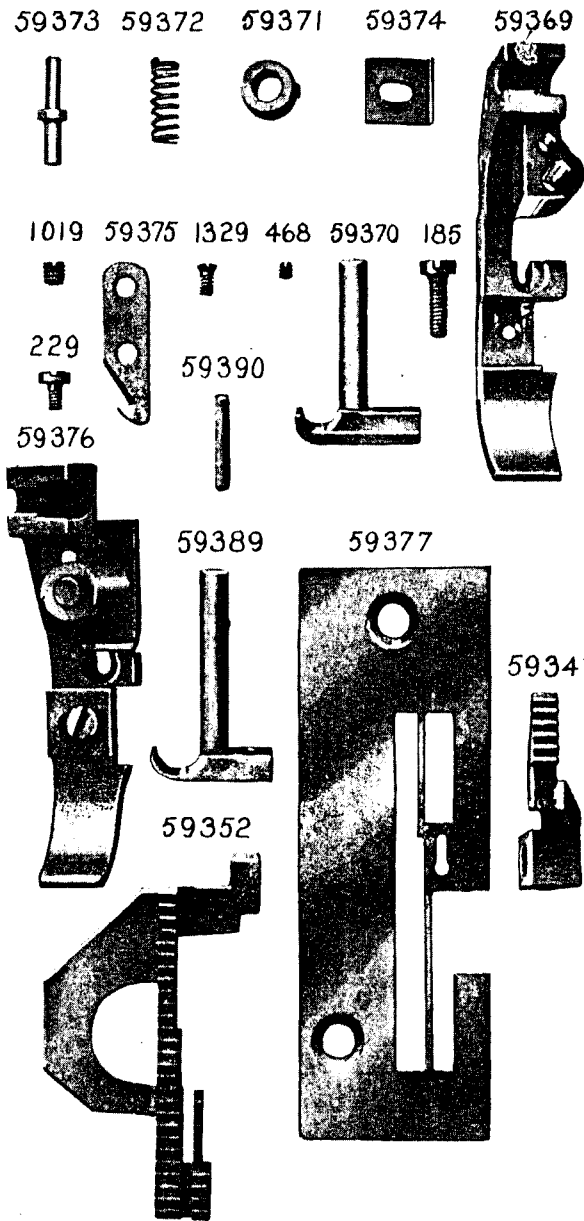


PLATE 7352—FULL SIZE

