

**SINGER**  
**504W1**

# PRICE LIST

OF

# PARTS



**MACHINE No. 504w1**

---

**THE SINGER MANUFACTURING COMPANY**

## INDEX

---

|                              | PAGE |
|------------------------------|------|
| ACCESSORIES.....             | 9    |
| MACHINE No. 504w1.....       | 7    |
| NUMERICAL LIST OF PARTS..... | 11   |

# Instructions for Ordering

In ordering from this list, use **ONLY** the **PART** number in the **FIRST** column.

The number stamped on a Sewing Machine Part is the number of the Single Part only, except when the part includes Set Screws, Clamping Screws, Studs and Rollers Spun on, Small Wires riveted, or Parts soldered together, etc., which it is necessary to furnish in combination.

Every combination of parts sent out has its specific number which, although not stamped on Parts (except in above cases) must be used when ordering the combination.

Each number always indicates the **SAME PART** in whatever list it appears, or for whatever Machine.

The letters after some of the numbers indicate the style of finish only, as follows:

- A. Hardened, Polished and Plated.
- B. Polished and Plated.
- C. Hardened only.
- D. Polished only.
- E. Soft, not polished.
- F. Hardened and Polished.
- H. Blued.

These letters **MUST BE USED** when they appear in the list and **AFTER** the number, as in the list.

The figures in the second column refer only to the plate in which the illustration of the part is shown and are **NOT TO BE USED** in ordering.

Two or more numbers over a cut indicate that the difference between such parts is not visible in an illustration.

Parts marked with an asterisk (\*) are furnished only when repairs are made at the factory.

## LIST OF PARTS COMPLETE

FOR

## MACHINE No. 504w1

For Perforating Shoe Tips, Etc.

| No.     | Plate | Name  | Each                      |    |
|---------|-------|---|---------------------------|----|
| 260626  | 14839 | Auxiliary Stop with 260787 .....                            | \$ 50                     |    |
| 260627  | 14838 | " " Bracket .....   | 3 00                      |    |
| 260784  | 14839 | " " " Screw (2) .....                                       | 10                        |    |
| 260628  | 14839 | " " " Washer (2) ...  | 06                        |    |
| 260787  | 14839 | " " Guide Stud .....  | 01                        |    |
| 204365  | 14839 | " " Spring .....  | 02                        |    |
| 260629  | 14838 | Driving Flange with 260772 .....                            | 4 50                      |    |
| 260772  | 14839 | " " Pin .....   | 03                        |    |
| 260630  | 14839 | " " Position Pin .....                                      | 10                        |    |
| 260631  | 14837 | " Shaft .....   | 3 50                      |    |
|         | 338E  | 14839   | " " Adjusting Screw ..... | 10 |
| 260632  | 14838 | " " " " Washer .....  | 60                        |    |
| 260633  | 14837 | " Wheel .....   | 12 00                     |    |
| 260634  | 14838 | " " Friction Ring .....                                     | 1 75                      |    |
| 260779  | 14839 | " " " " Position Pin ..                                     | 10                        |    |
| 260069  | 14839 | " " Screw .....   | 25                        |    |
| 260635  | 14838 | " " " Washer .....  | 60                        |    |
| 260788  | 14839 | " " " " Position Pin ....                                   | 01                        |    |
| *260636 | —     | Frame .....   | —                         |    |
| 260664  | 14837 | Punch Cutting Plate Reinforcement ....                      | 1 75                      |    |
| 260781  | 14839 | " " " " " Screw   | 20                        |    |
| 260665  | 14839 | " " " " " " " Washer .....                                  | 20                        |    |
| 260692  | 14837 | Punch Plate Adjusting Nut .....                             | 2 50                      |    |
| 260693  | 14837 | " " " " Friction Clamp .....                                | 1 00                      |    |
| 260694  | 14842 | Punch Plate Adjusting Nut Friction Clamp Screw .....        | 25                        |    |
| 260783  | 14839 | Punch Plate Adjusting Nut Friction Clamp Screw Washer ..... | 03                        |    |
| 260695  | 14839 | Punch Plate Adjusting Nut Friction Clamp Spring .....       | 10                        |    |
| 260786  | 14842 | Punch Plate Adjusting Rod Stop Screw                        | 1 25                      |    |
| 260697  | 14842 | " " " " " " " Thumb Nut .....                               | 60                        |    |
| 260698  | 14838 | Punch Plate Adjusting Screw Stud with 260762 .....          | 4 00                      |    |

| No.     | Plate | Name   | Each  |
|---------|-------|--|-------|
| 260725  | 14838 | Punch Plate Block Clamp (left) .....                                     | \$ 40 |
| 260726  | 14838 | " " " " (right) .....  | 40    |
| 260727  | 14842 | " " " " Screw (2) ....   | 15    |
| 260728  | 14842 | " " " Clamping Thumb Screw   | 60    |
| 260779  | 14839 | " " " Stop Pin (2) .....   | 10    |
| 260755  | 14840 | " " Lifting Block with two 260779  | 6 00  |
| 260756  | 14840 | " " " Connection .....   | 5 00  |
| 260757  | 14841 | " " " " Hinge Stud ..  | 60    |
| 260758  | 14842 | " " " " " " " Set<br>Screw .....   | 15    |
| 1691c   | 14842 | Punch Plate Lifting Connection Hinge<br>Stud Set Screw Check Nut .....   | 12    |
| 260759  | 14841 | Punch Plate Lifting Eccentric .....                                      | 2 50  |
| 260630  | 14839 | " " " " Position Pin..   | 10    |
| 260760  | 14840 | " " " Link (lower) with<br>1691c and 260758 .....                        | 2 50  |
| 260761  | 14841 | Punch Plate Lifting Link (lower) Hinge<br>Stud .....                     | 50    |
| 260762  | 14842 | Punch Plate Lifting Link (lower) Hinge<br>Stud Set Screw .....           | 05    |
| 260760  | 14840 | Punch Plate Lifting Link (upper) with<br>1691c and 260758 .....          | 2 50  |
| 260761  | 14841 | Punch Plate Lifting Link (upper) Hinge<br>Stud .....                     | 50    |
| 260758  | 14842 | Punch Plate Lifting Link (upper) Hinge<br>Stud Set Screw .....           | 15    |
| 1691c   | 14842 | Punch Plate Lifting Link (upper) Hinge<br>Stud Set Screw Check Nut ..... | 12    |
| 260765  | 14841 | Punch Stripping Plate Support (left) ....                                | 50    |
| 260766  | 14841 | " " " " (right) ....   | 50    |
| 201255c | 14842 | " " " " Screw (2)..  | 04    |
| 260767  | 14841 | Starting Lever with 224385 .....   | 2 50  |
| 260768  | 14841 | " " Shaft .....  | 20    |
| 204246  | 14842 | " " " Collar with two<br>200383c .....                                   | 20    |
| 200383c | 14842 | Starting Lever Shaft Collar Set Screw ...                                | 02    |
| 200335c | 14842 | " " " Set Screw .....  | 04    |
| 215078  | 14843 | " " Spring .....   | 10    |
| 224385  | 14843 | " " Hook .....   | 03    |
| 260773  | 14841 | Stop Cam with 260788 .....   | 3 50  |
| 260788  | 14839 | " " Pin .....  | 01    |
| 260774  | 14843 | " " Roller (5) .....   | 10    |
| 260775  | 14843 | " " Spring .....   | 20    |
| 260778  | 14840 | Work Table .....   | 2 50  |
| 731E    | 14843 | " " Screw (2) .....  | 08    |
| 260628  | 14839 | " " " Washer (2) .....   | 06    |

## ACCESSORIES

| No.     | Plate | Name  | Each  |
|---------|-------|---|-------|
| 260782  | 14844 | Driving Wheel Wrench .....  | \$ 50 |
| 260785  | 14843 | Machine Bolt with Nut .....   | 05    |
| 227328  | 14843 | " " Washer .....  | 01    |
| 36565   | 14844 | Oiler (copper plated) with 36566 .....  | 15    |
| 36566   | 14844 | " Spout, 9 in. long .....   | 08    |
| 260696  | 14843 | Punch Plate Adjusting Rod .....   | 25    |
| 260769  | 14844 | Starting Treadle .....  | 25    |
| 260589  | 14844 | " " Bracket .....   | 15    |
| 260770  | 14844 | " " " 260589 with 260591<br>and 260769 .....                                  | 45    |
| 260591  | 14843 | Starting Treadle Hinge Pin .....  | 05    |
| 260771  | 14844 | " " Pitman Rod (lower) ....   | 10    |
| 200233c | 14843 | " " " " " Hinge<br>Screw .....  | 10    |
| 204698  | 14844 | Starting Treadle Pitman Rod (upper)<br>with 202302 .....                      | 08    |
| 202302  | 14843 | Starting Treadle Pitman Rod (upper)<br>Cotter Pin .....                       | 01    |
| 204126  | 14843 | Starting Treadle Pitman Rod Clamp with<br>two 200530c (2) .....               | 20    |
| 200530c | 14843 | Starting Treadle Pitman Rod Clamp Set<br>Screw .....                          | 05    |
| 260780  | 14844 | Starting Treadle Pitman complete, Nos.<br>204698, 260771 and two 204126 ..... | 60    |

## NUMERICAL LIST OF PARTS

### NUMERICAL LIST OF PARTS FOR MACHINE No. 504w1

| No.     | Plate | Name   | Each  |
|---------|-------|--|-------|
| 338e    | 14839 | Driving Shaft Adjusting Screw .....  | \$ 10 |
| 731e    | 14843 | Work Table Screw .....   | 08    |
| 1691e   | 14842 | Punch Plate Lifting Connection Hinge<br>Stud Set Screw Check Nut, for 260760   | 12    |
| 1691e   | 14842 | Punch Plate Lifting Link (upper) Hinge<br>Stud Set Screw Check Nut, for 260760 | 12    |
| 36565   | 14844 | Oiler (copper plated) with 36566 .....   | 15    |
| 36566   | 14844 | " Spout, 9 in. long, for 36565 .....   | 08    |
| 200233e | 14843 | Starting Treadle Pitman Rod (lower)<br>Hinge Screw .....                       | 10    |
| 200325e | 14842 | Starting Lever Shaft Set Screw .....   | 04    |
| 200383e | 14842 | " " " Collar Set Screw,<br>for 204246 .....                                    | 02    |
| 200530e | 14843 | Starting Treadle Pitman Rod Clamp Set<br>Screw, for 204246 .....               | 05    |
| 201255e | 14842 | Punch Stripping Plate Support Screw ..   | 04    |
| 202302  | 14843 | Starting Treadle Pitman Rod (upper)<br>Cotter Pin, for 204698 .....            | 01    |
| 204126  | 14843 | Starting Treadle Pitman Rod Clamp with<br>two 200530e, for 260780 .....        | 20    |
| 204246  | 14842 | Starting Lever Shaft Collar with two<br>200383e .....                          | 20    |
| 204365  | 14839 | Auxiliary Stop Spring .....  | 02    |
| 204698  | 14844 | Starting Treadle Pitman Rod (upper)<br>with 202302, for 260780 .....           | 08    |
| 245078  | 14843 | Starting Lever Spring .....  | 10    |
| 224385  | 14843 | " " " Hook, for 260767 ..  | 03    |
| 227328  | 14843 | Machine Bolt Washer .....  | 01    |
| 260069  | 14839 | Driving Wheel Screw .....  | 25    |
| 260589  | 14844 | Starting Treadle Bracket, for 260770 ....                                      | 15    |
| 260594  | 14843 | " " Hinge Pin, for 260770 ....   | 05    |
| 260626  | 14839 | Auxiliary Stop with 260787 .....   | 50    |
| 260627  | 14838 | " " Bracket .....  | 3 00  |
| 260628  | 14839 | " " " Screw Washer ....  | 06    |
| 260628  | 14839 | Work Table Screw Washer .....  | 06    |
| 260629  | 14838 | Driving Flange with 260772 .....   | 4 50  |
| 260630  | 14839 | " " Position Pin .....   | 10    |
| 260630  | 14839 | Punch Plate Lifting Eccentric Position<br>Pin .....                            | 10    |
| 260634  | 14837 | Driving Shaft .....  | 3 50  |
| 260632  | 14838 | " " Adjusting Screw Washer ..  | 60    |
| 260633  | 14837 | " Wheel .....  | 12 00 |
| 260634  | 14838 | " " Friction Ring .....  | 1 75  |
| 260635  | 14838 | " " Screw Washer .....   | 60    |

| No.    | Plate | Name  | Each   |
|--------|-------|---|--------|
| 260636 | ---   | Frame .....   | \$ --- |
| 260664 | 14837 | Punch Cutting Plate Reinforcement ....                                  | 1 75   |
| 260665 | 14839 | " " " " " Screw   |        |
|        |       | Washer .....  | 20     |
| 260692 | 14837 | Punch Plate Adjusting Nut .....   | 2 50   |
| 260693 | 14837 | " " " " Friction Clamp  | 1 00   |
| 260694 | 14842 | " " " " " " "   |        |
|        |       | Screw .....   | 25     |
| 260695 | 14839 | Punch Plate Adjusting Nut Friction Clamp Spring .....                   | 10     |
| 260696 | 14843 | Punch Plate Adjusting Rod .....   | 25     |
| 260697 | 14842 | " " " " " Stop Screw  |        |
|        |       | Thumb Nut .....   | 60     |
| 260698 | 14838 | Punch Plate Adjusting Screw Stud with 260762 .....                      | 1 00   |
| 260725 | 14838 | Punch Plate Block Clamp (left) .....                                    | 40     |
| 260726 | 14838 | " " " " (right) .....   | 40     |
| 260727 | 14842 | " " " " " Screw .....   | 15     |
| 260728 | 14842 | " " " " Clamping Thumb Screw  | 60     |
| 260755 | 14840 | " " " " Lifting Block with two 260779                                   | 3 00   |
| 260756 | 14840 | " " " " Connection .....  | 3 00   |
| 260757 | 14841 | " " " " " Hinge Stud  | 60     |
| 260758 | 14842 | " " " " " " "   |        |
|        |       | Set Screw, for 260760 .....   | 15     |
| 260758 | 14842 | Punch Plate Lifting Link (upper) Hinge Stud Set Screw, for 260760 ..... | 15     |
| 260759 | 14841 | Punch Plate Lifting Eccentric .....                                     | 2 50   |
| 260760 | 14840 | " " " " Link (lower) with 1691c and 260758 .....                        | 2 50   |
| 260760 | 14840 | Punch Plate Lifting Link (upper) with 1691c and 260758 .....            | 2 50   |
| 260761 | 14841 | Punch Plate Lifting Link (lower) Hinge Stud .....                       | 50     |
| 260761 | 14841 | Punch Plate Lifting Link (upper) Hinge Stud .....                       | 50     |
| 260762 | 14842 | Punch Plate Lifting Link (lower) Hinge Stud Set Screw, for 260698 ..... | 05     |
| 260765 | 14841 | Punch Stripping Plate Support (left) ....                               | 50     |
| 260766 | 14841 | " " " " (right) ....  | 50     |
| 260767 | 14841 | Starting Lever with 221385 .....  | 2 50   |
| 260768 | 14841 | " " " Shaft .....   | 20     |
| 260769 | 14844 | " " Treadle, for 260770 .....   | 25     |
| 260770 | 14844 | " " " Bracket 260589 with 260591 and 260769 .....                       | 45     |
| 260771 | 14844 | Starting Treadle Pitman Rod (lower), for 260780 .....                   | 10     |
| 260772 | 14839 | Driving Flange Pin, for 260629 .....                                    | 02     |
| 260773 | 14841 | Stop Cam with 260788 .....  | 2 50   |
| 260774 | 14843 | " " " Roller .....  | 10     |

| No.    | Plate | Name   | Each  |
|--------|-------|--|-------|
| 260775 | 14843 | Stop Cam Spring .....  | \$ 20 |
| 260778 | 14840 | Work Table .....   | 2 50  |
| 260779 | 14839 | Driving Wheel Friction Ring Position Pin, for 260755 .....                 | 10    |
| 260779 | 14839 | Punch Plate Block Stop Pin, for 260755 ..                                  | 10    |
| 260780 | 14841 | Starting Treadle Pitman complete, Nos. 204698, 260771 and two 204126 ..... | 60    |
| 260781 | 14839 | Punch Cutting Plate Reinforcement Screw                                    | 20    |
| 260782 | 14841 | Driving Wheel Wrench .....   | 50    |
| 260783 | 14839 | Punch Plate Adjusting Nut Friction Clamp Screw Washer .....                | 03    |
| 260784 | 14839 | Auxiliary Stop Bracket Screw .....   | 10    |
| 260785 | 14843 | Machine Bolt with Nut .....  | 05    |
| 260786 | 14842 | Punch Plate Adjusting Rod Stop Screw ..                                    | 1 25  |
| 260787 | 14839 | Auxiliary Stop Guide Stud, for 260626 ..                                   | 01    |
| 260788 | 14839 | Driving Wheel Screw Washer Position Pin .....                              | 01    |
| 260788 | 14839 | Stop Cam Pin, for 260773 .....   | 01    |

**ILLUSTRATIONS OF PARTS  
FOR  
MACHINE No. 504w1**

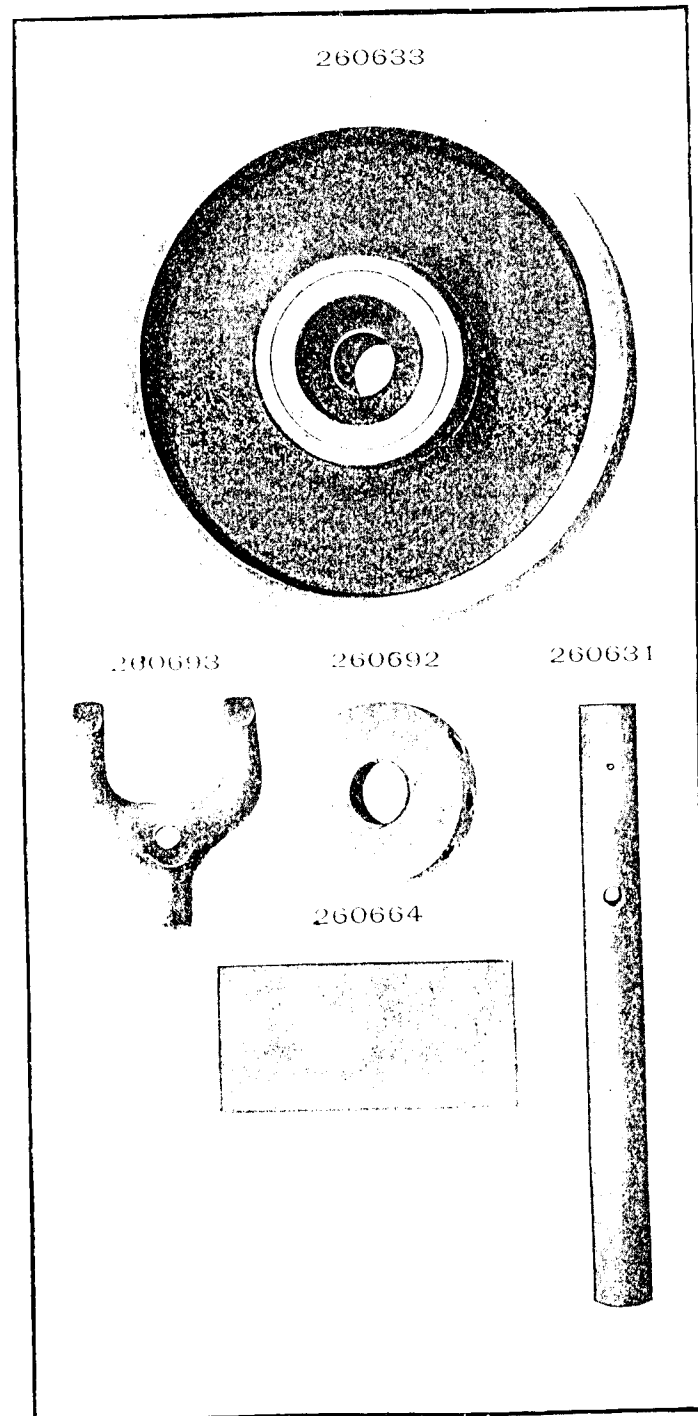


PLATE 14838-ONE-HALF SIZE

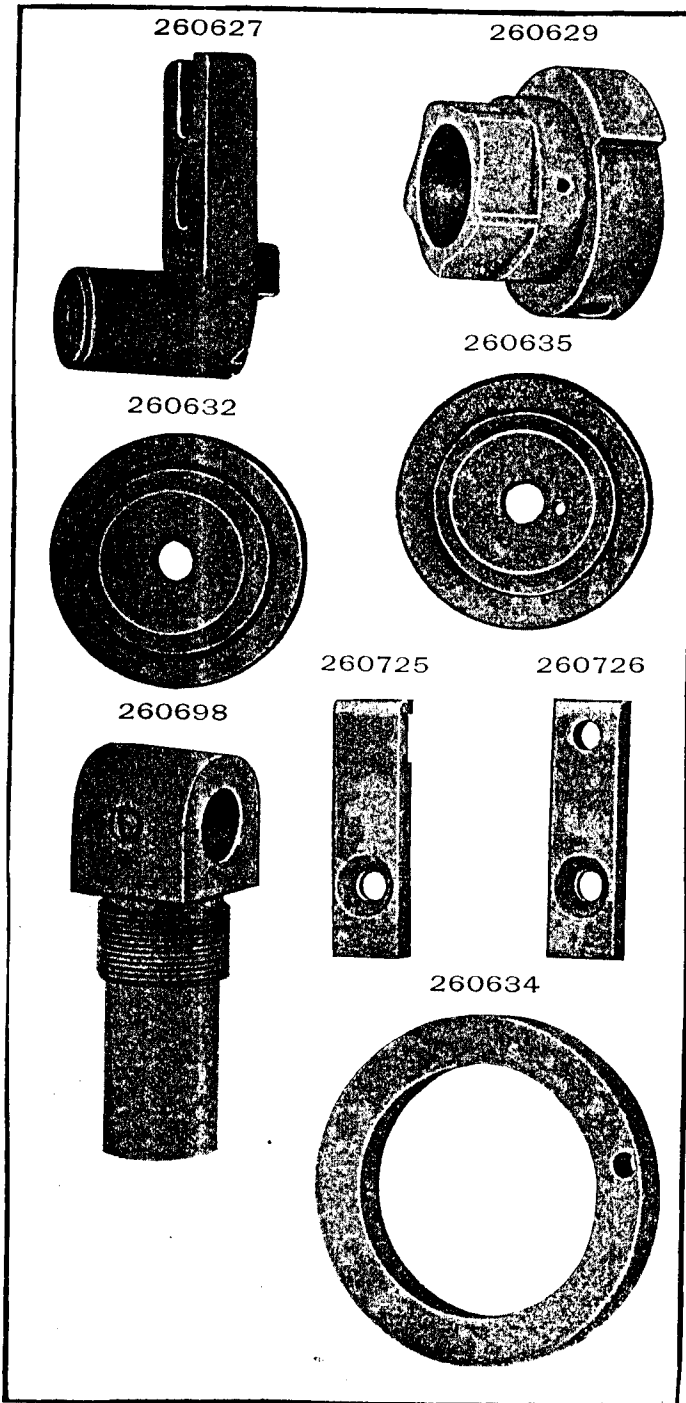


PLATE 14839-FULL SIZE

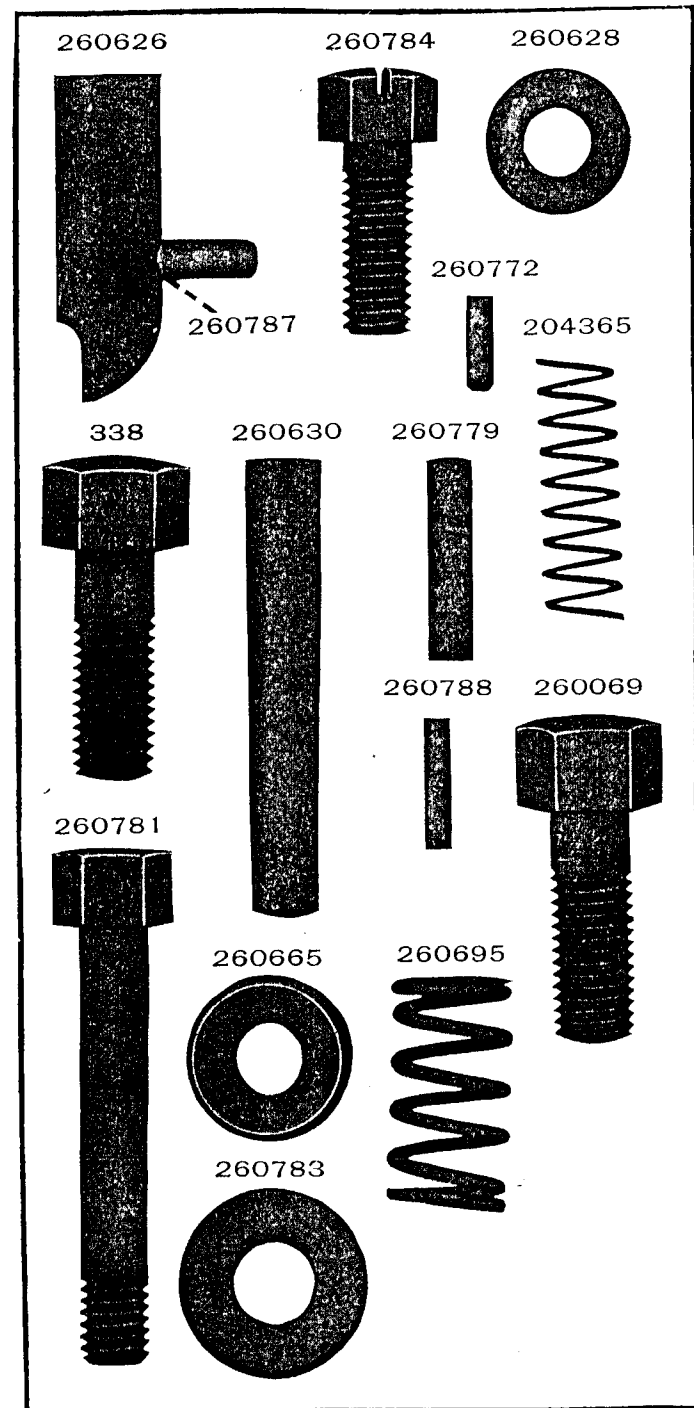




PLATE 14840-ONE-FOURTH SIZE

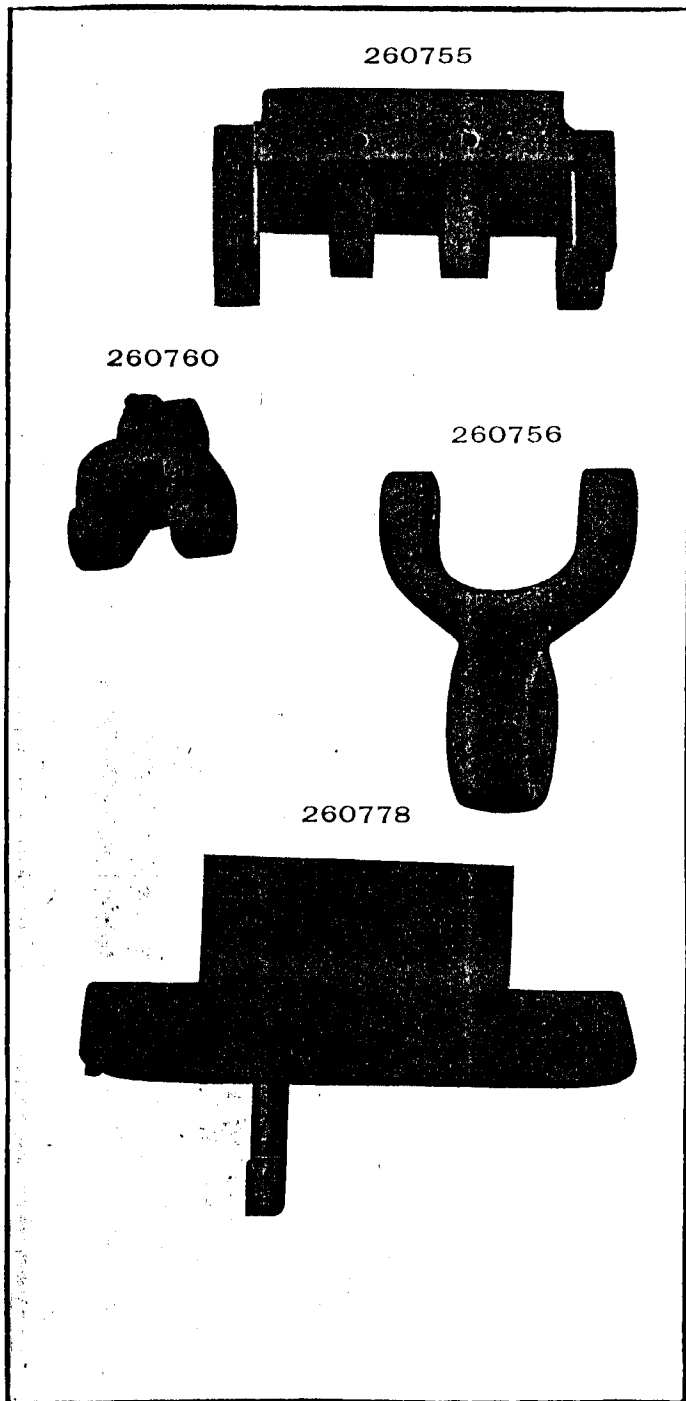


PLATE 14841-ONE-HALF'SIZE

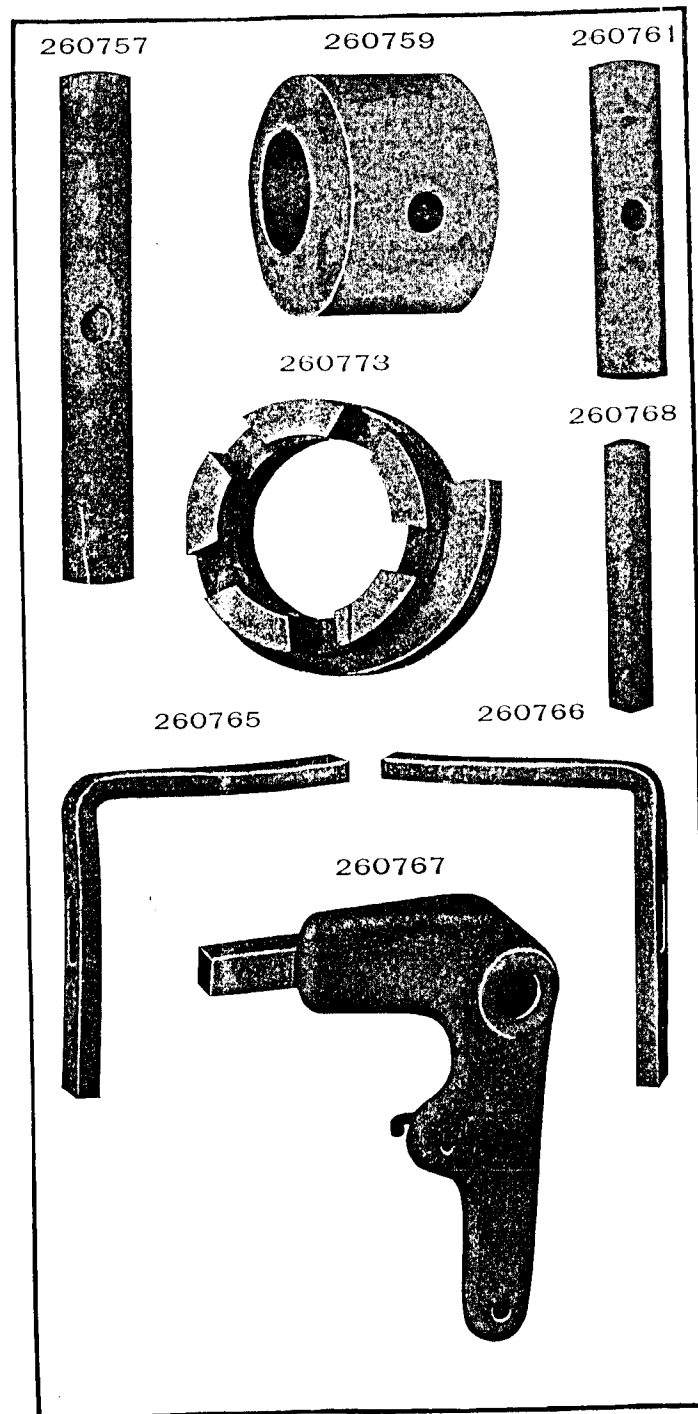


PLATE 14842-FULL SIZE

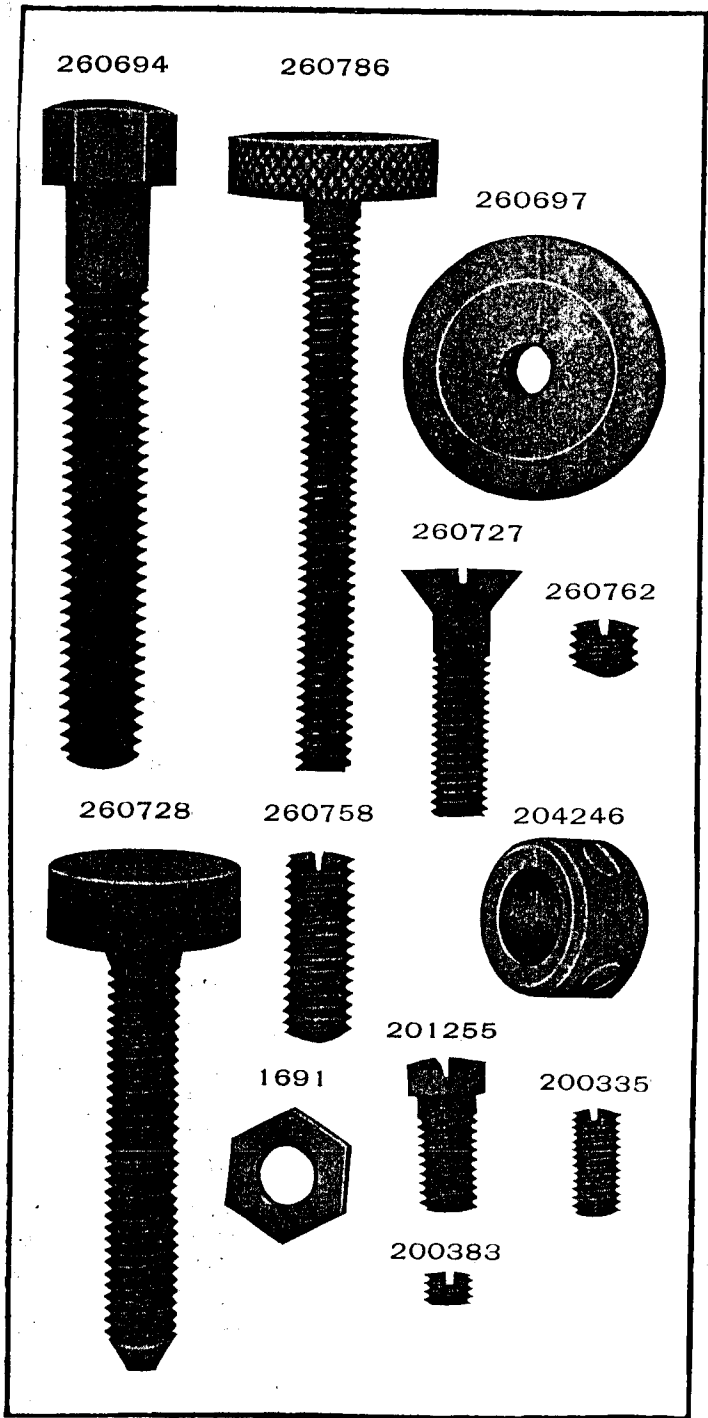


PLATE 14843-FULL SIZE

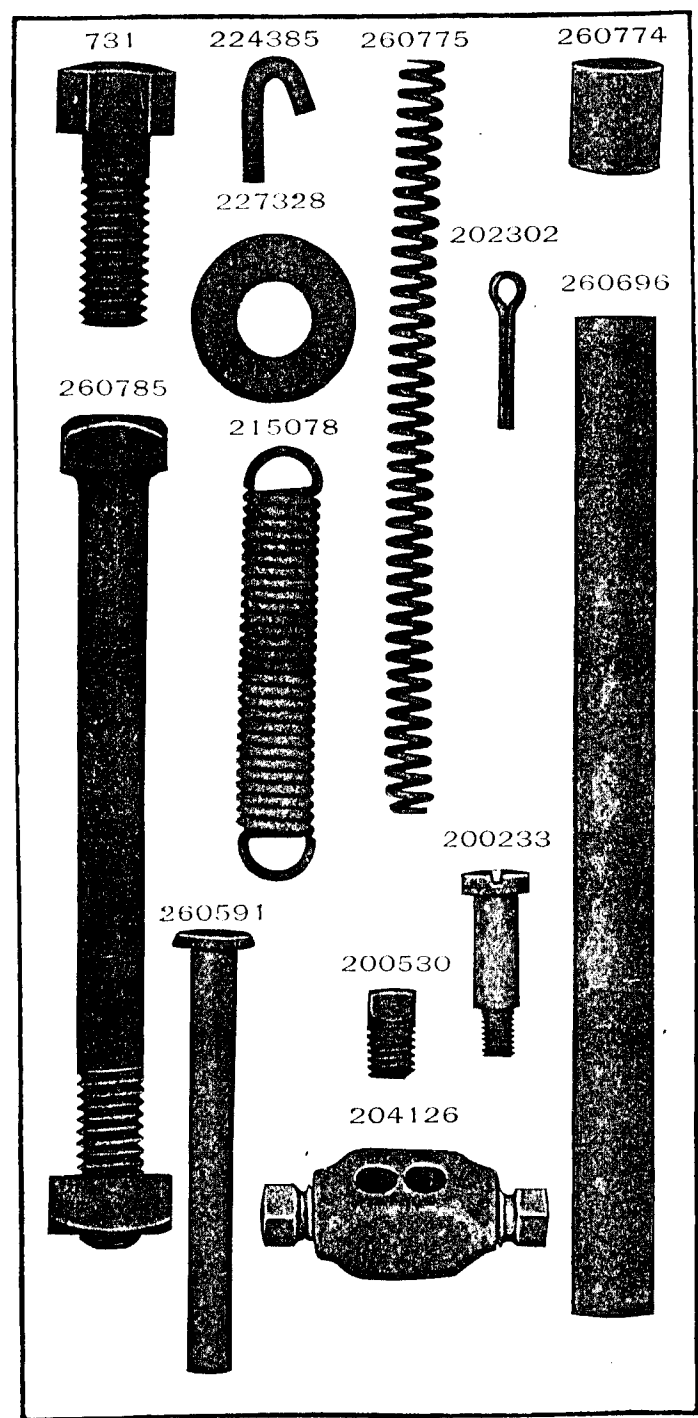


PLATE 14844-ONE-FOURTH SIZE

260782



36565



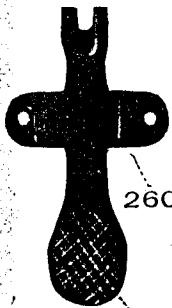
260780

204698



36566

260770



260589

260769

260771