

Singer 114-35

Form 19557  
(1040) **HISTORICAL COPY**  
Printed in U. S. A. **DO NOT REMOVE**

**SINGER\*\***

114-35



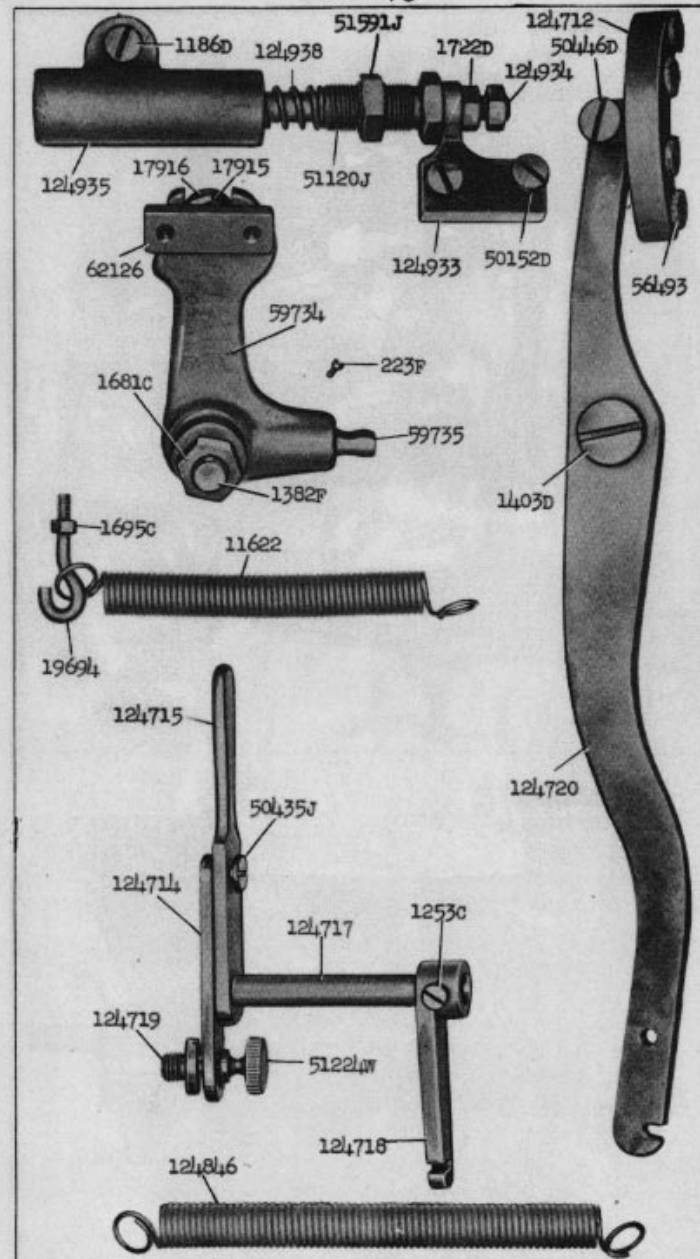
---

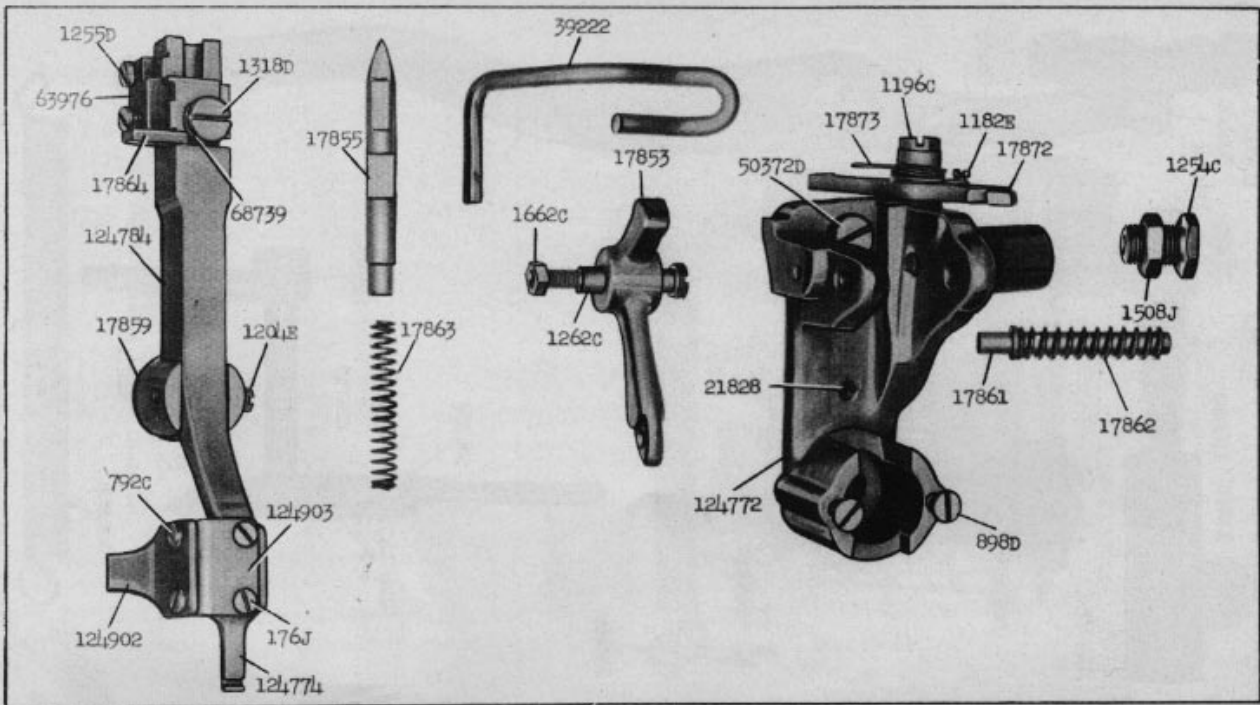
**\*\* A TRADE MARK OF  
THE SINGER MANUFACTURING COMPANY**



Copyright, U. S. A., 1928 and 1940  
 by The Singer Manufacturing Co.  
 All Rights Reserved for all Countries

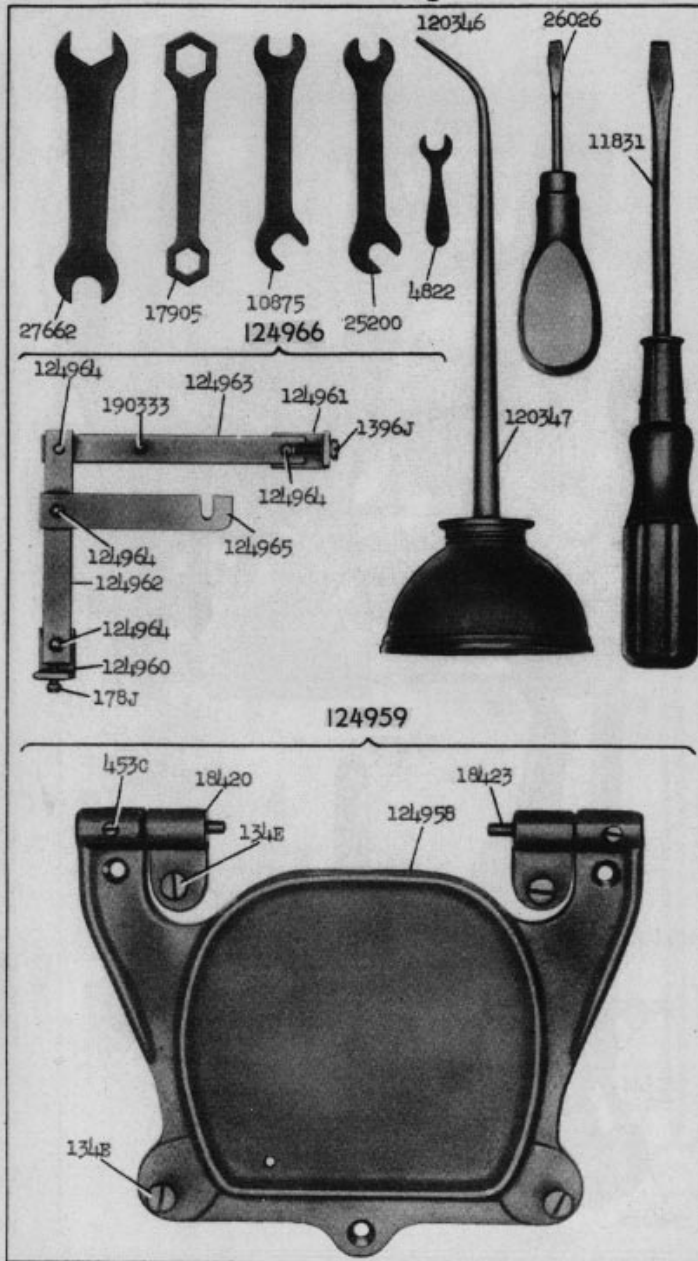
9596 - 2/3



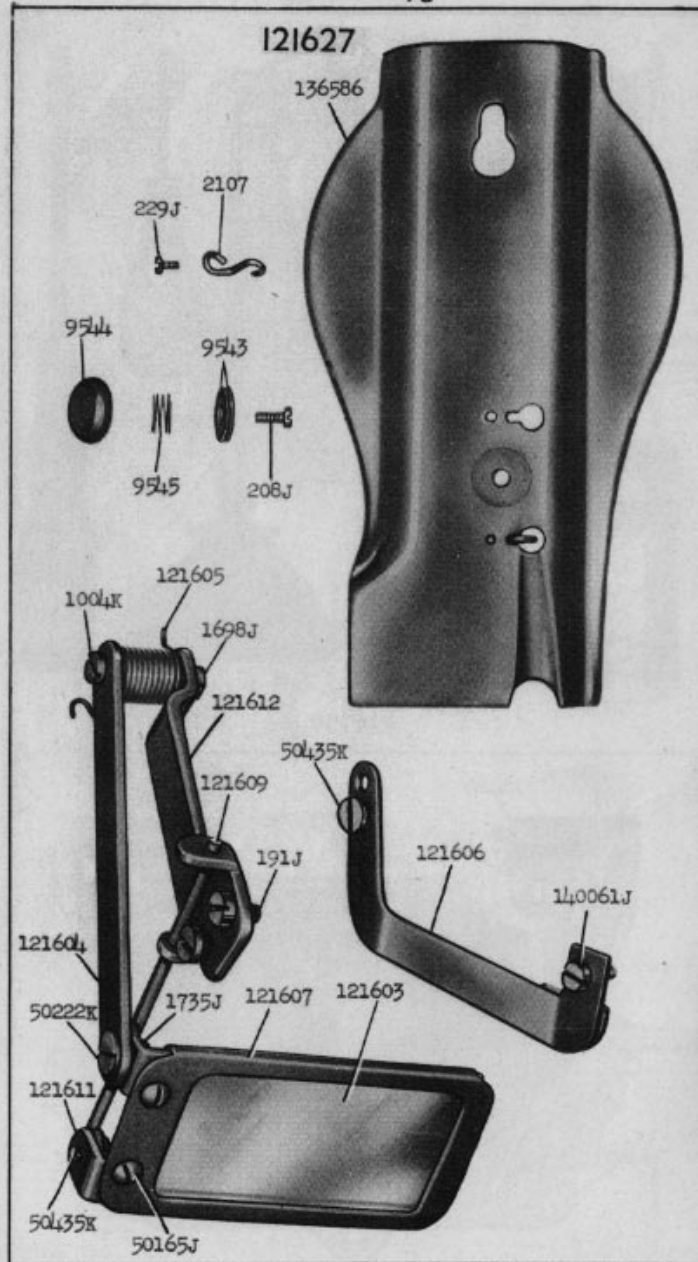


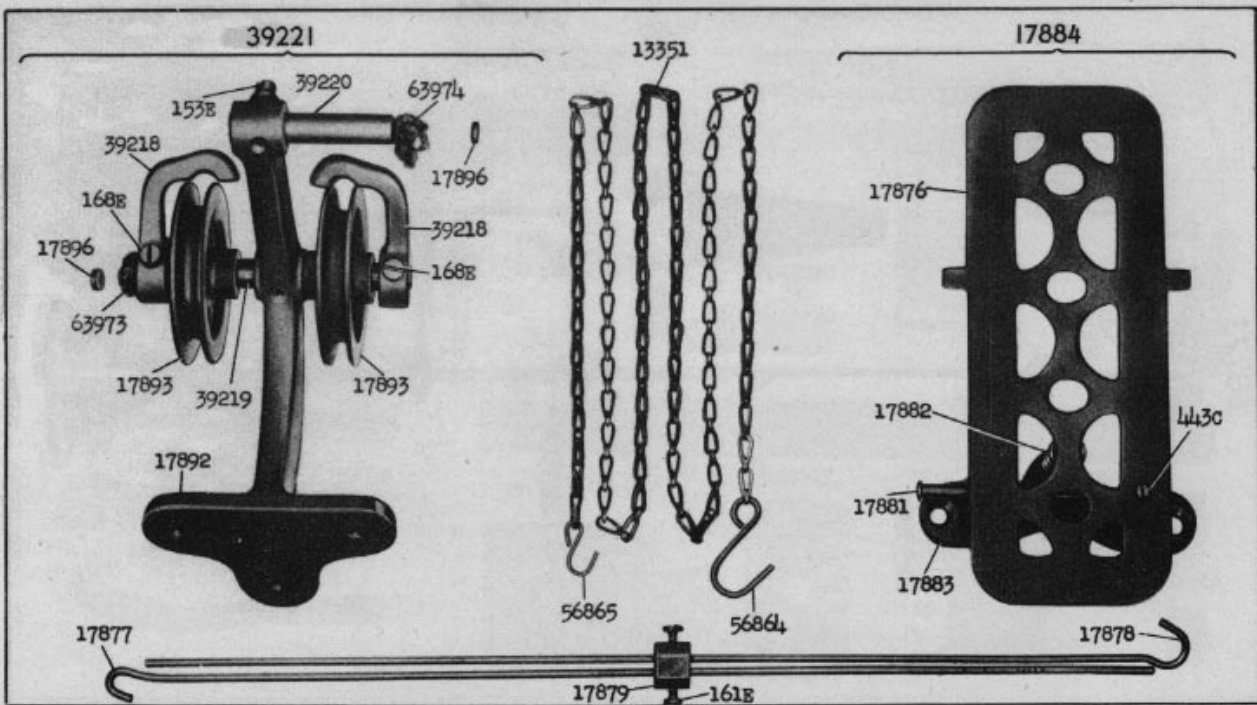
23153 - 2/3

23157 - 1/3



23158 - 2/3

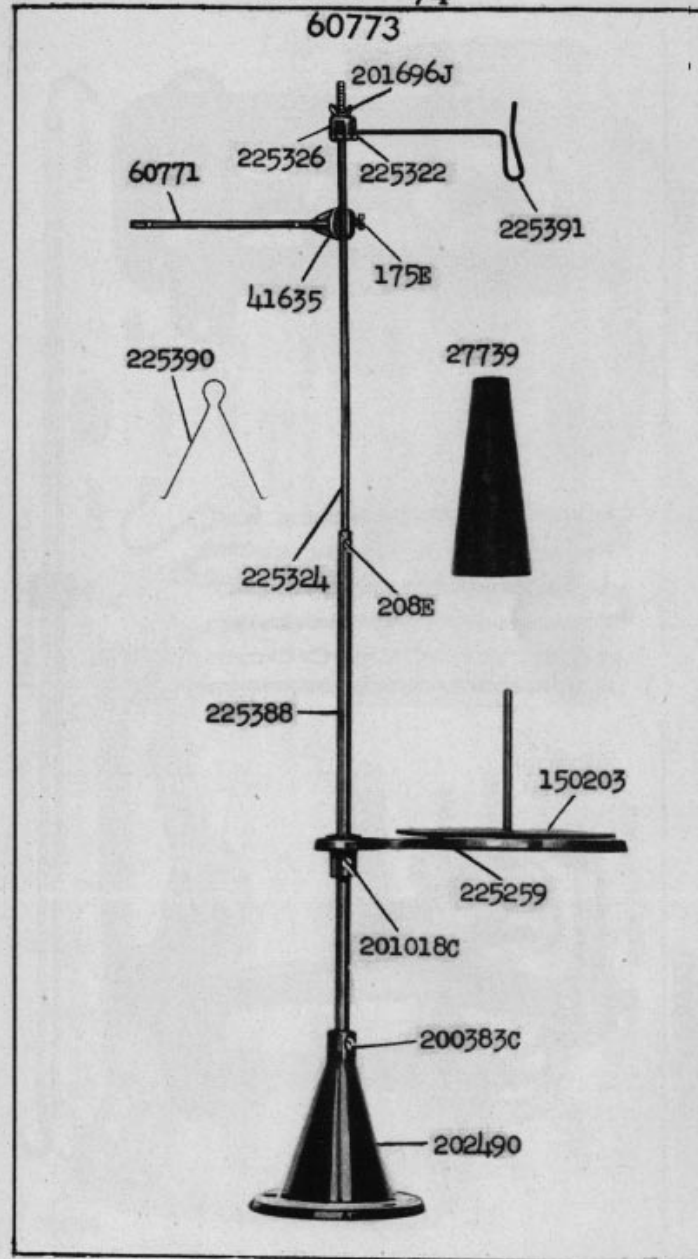




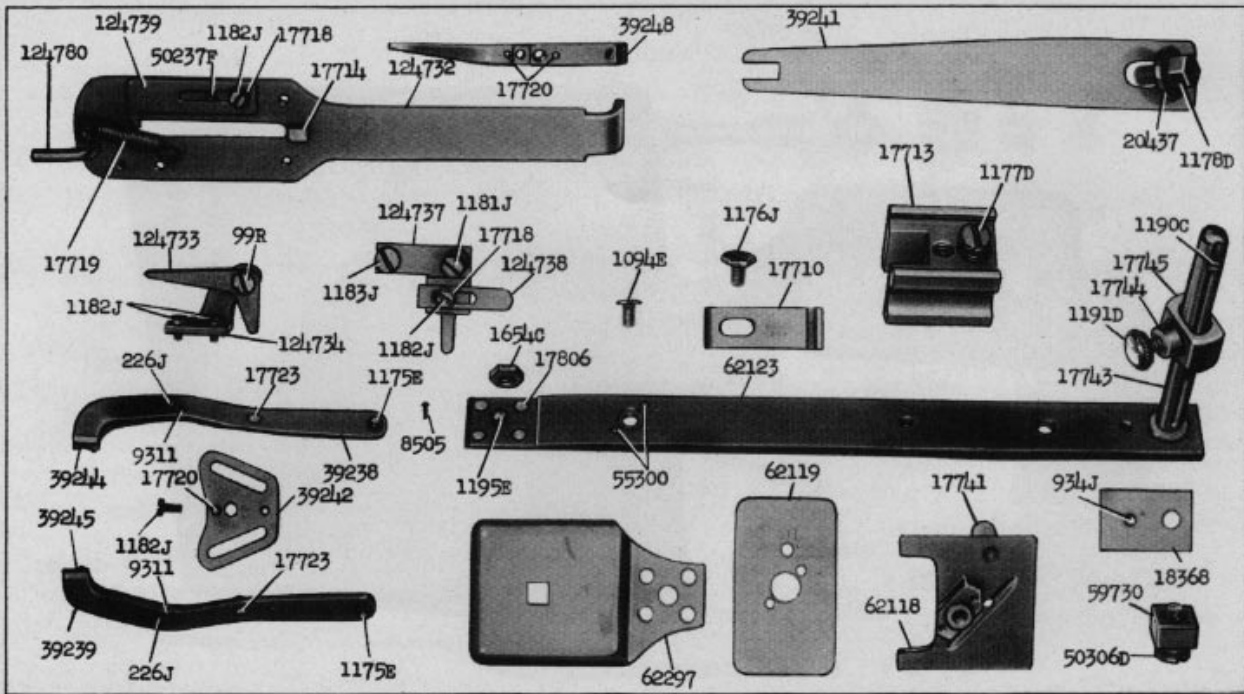
23159 - 1/3

23160 - 1/4

60773





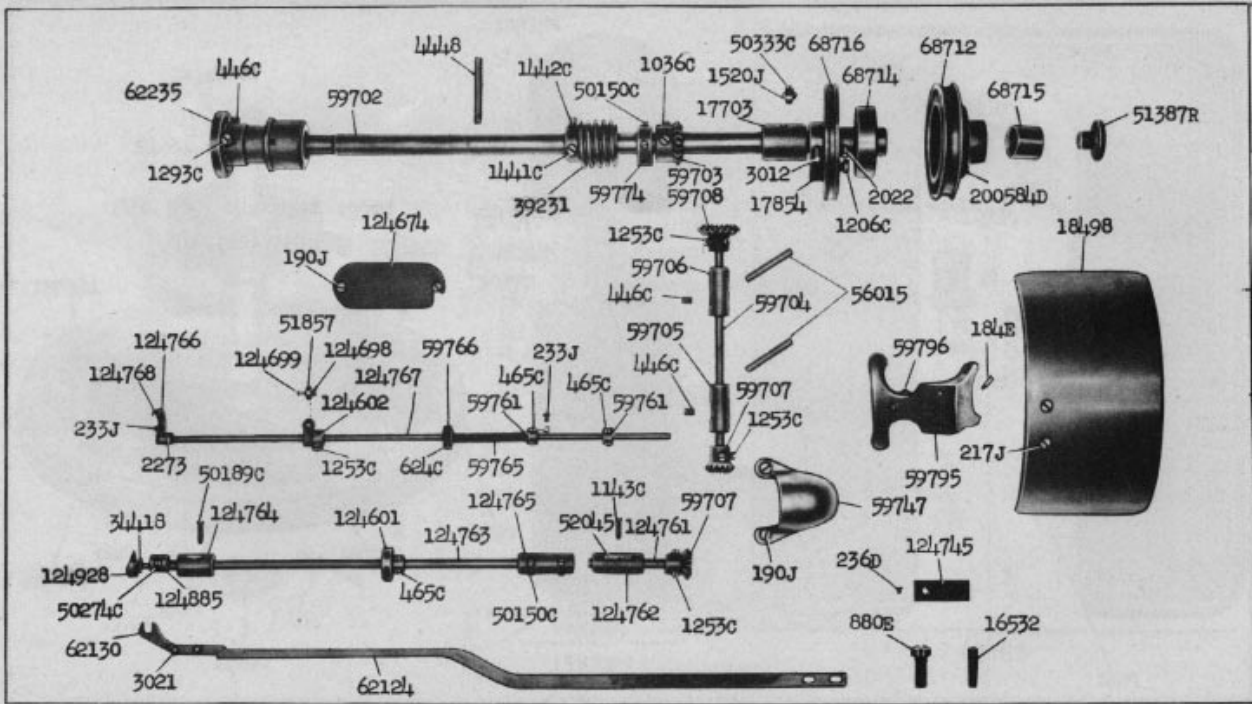


23168 - 1/2

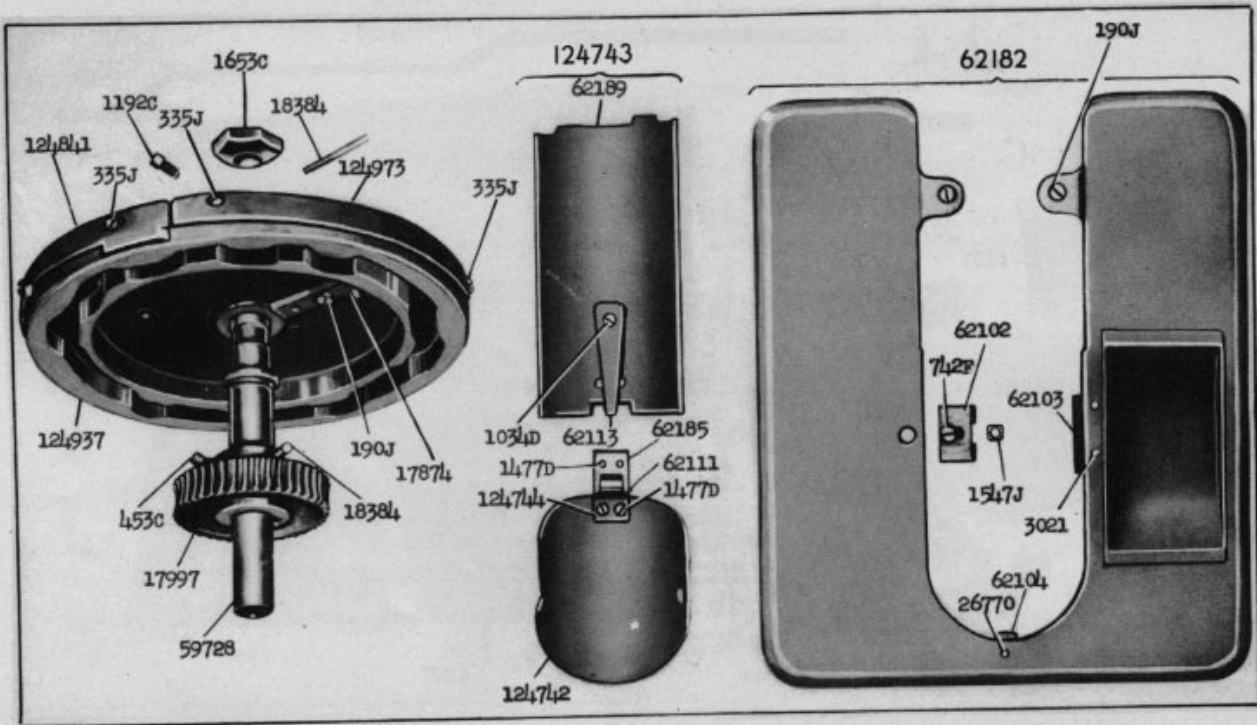
23174 - 1/2

59797



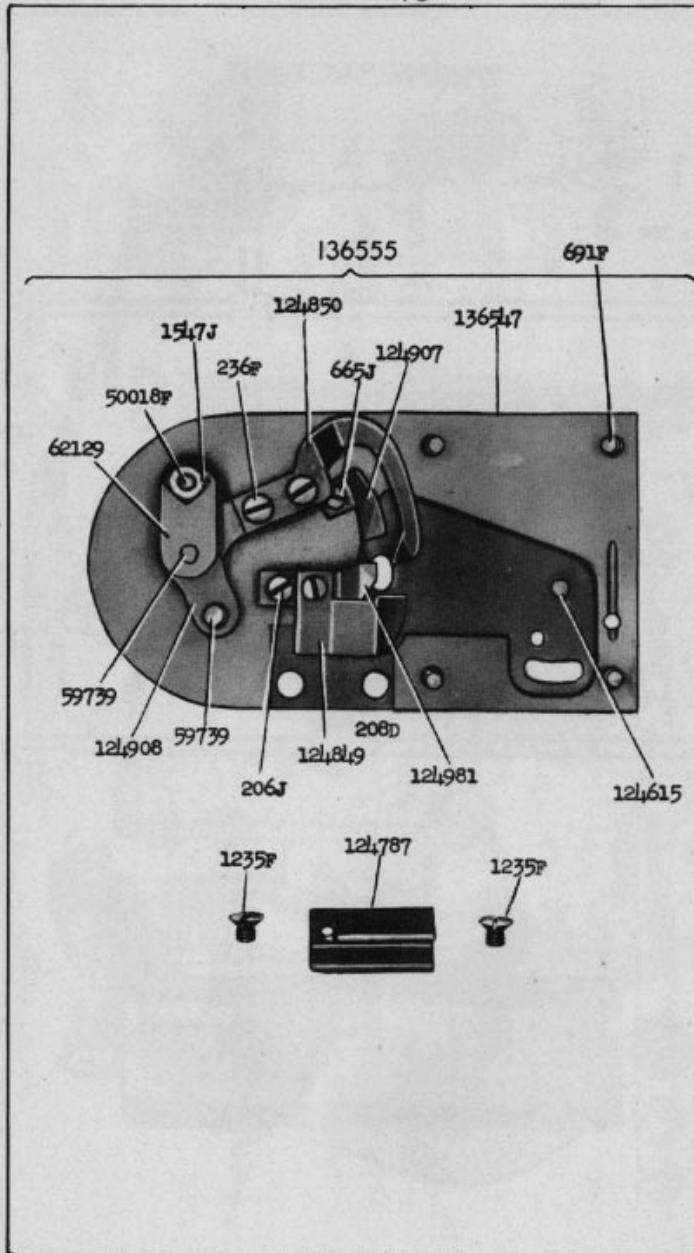


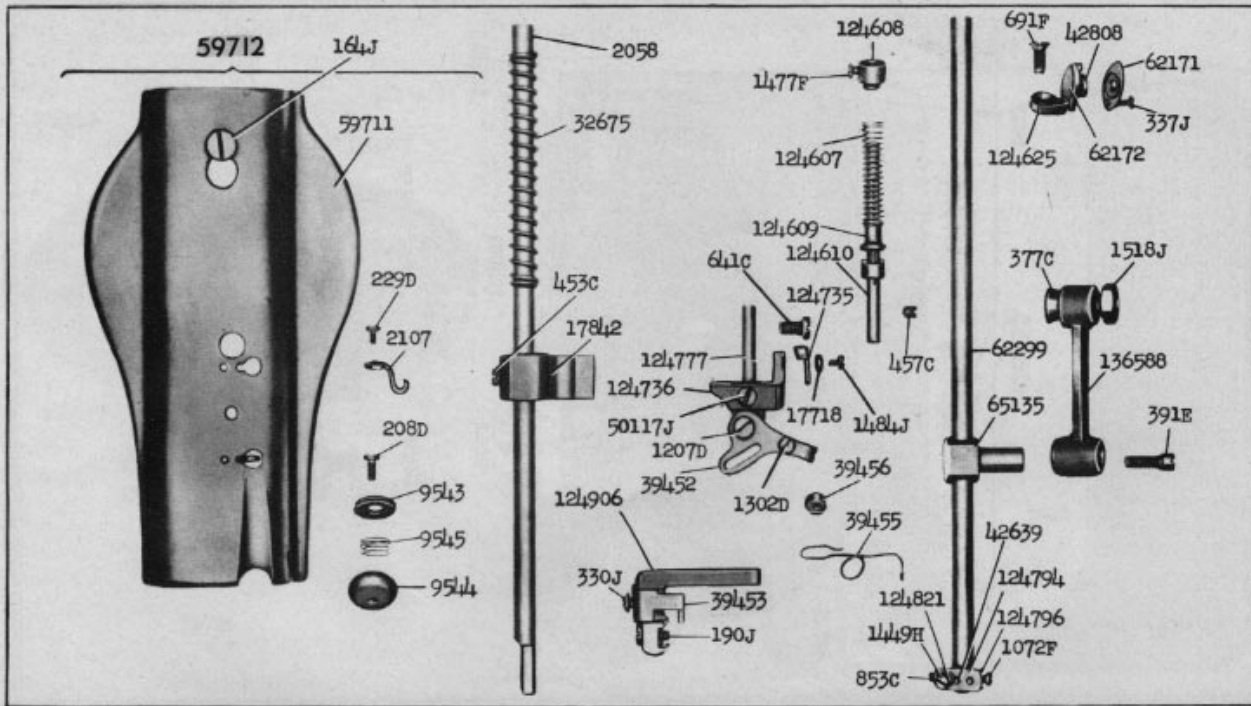
23181 - 1/4



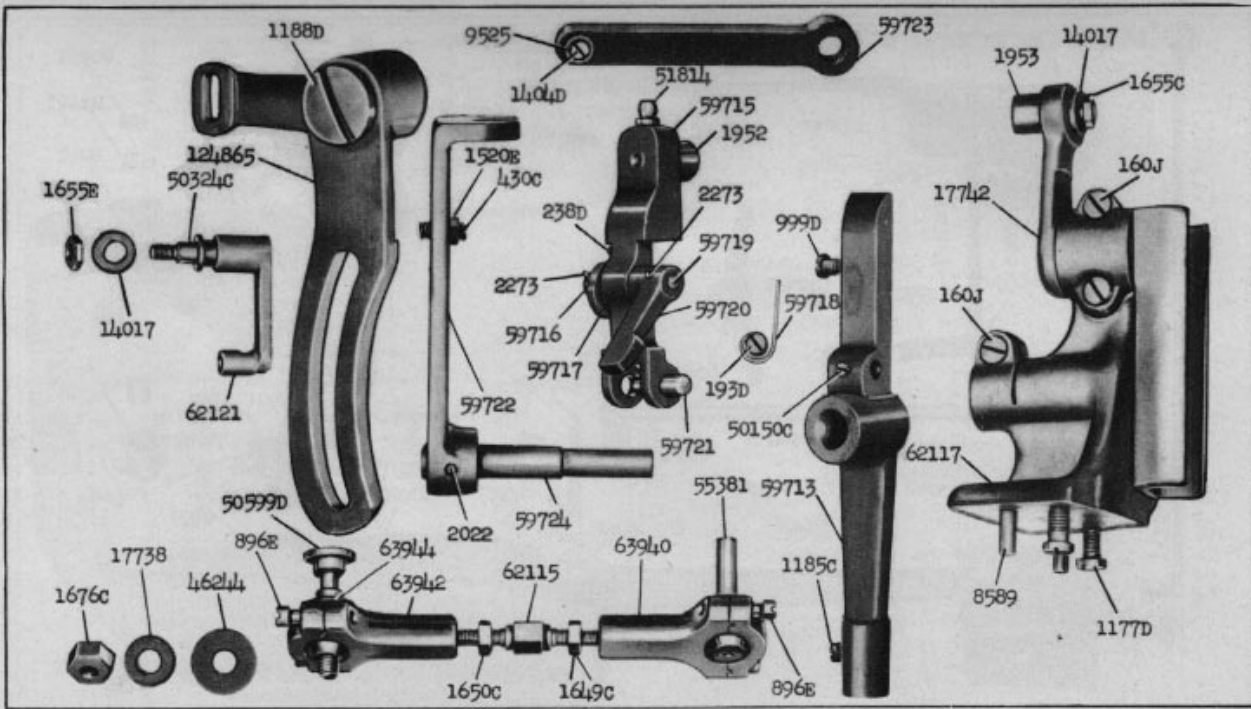
23185 - 1/3

23187 - 2/3

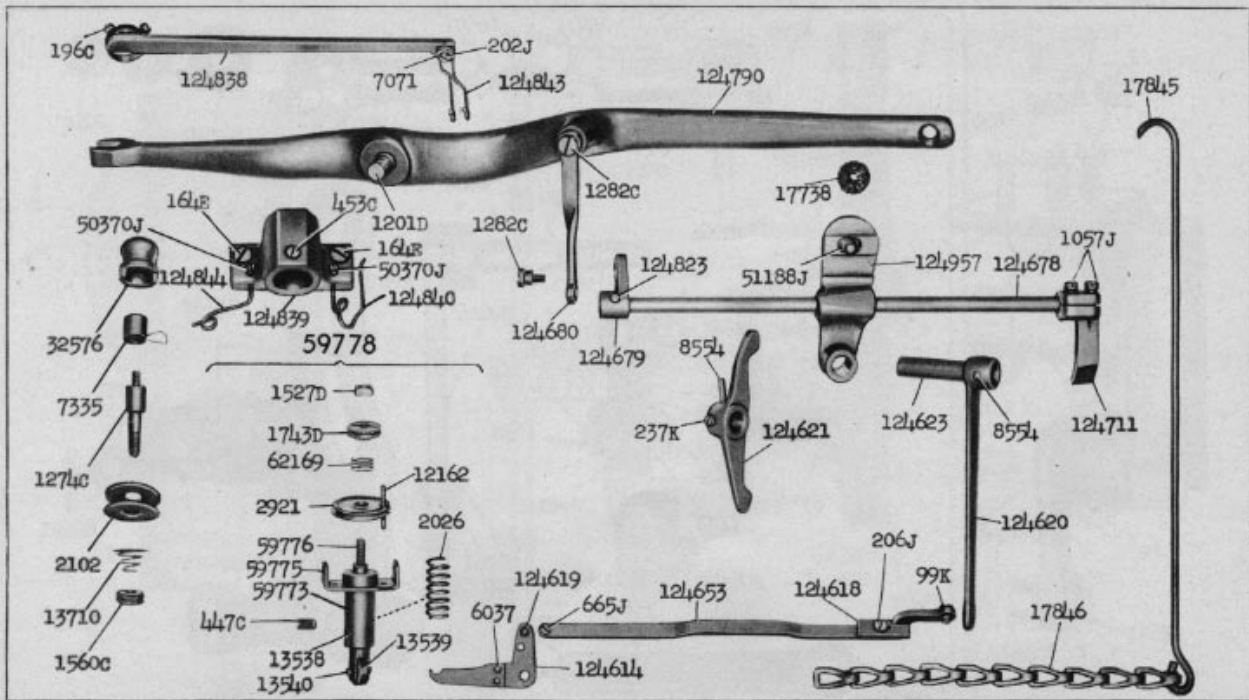




23188 - 1/2



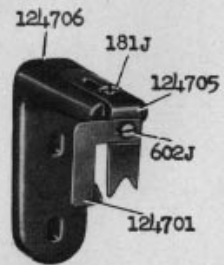
23189 - 1/2



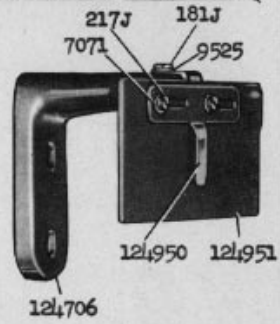
23190 - 1/3

23191 - 1/3

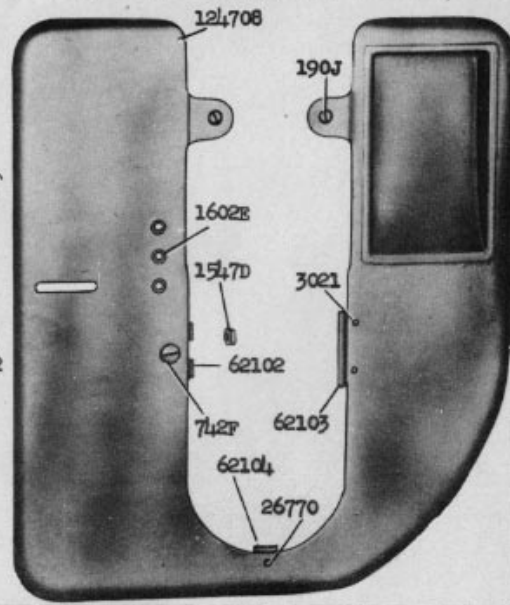
124707



124952



124710



124704

