

Form 8469 Revised  
April, 1930  
PRINTED IN U. S. A.

# LIST OF PARTS



## MACHINES Nos. 81-12 and 81-14

---

\*\* A TRADE MARK OF

THE SINGER MANUFACTURING COMPANY

## INDEX

|                                  | PAGE |
|----------------------------------|------|
| ACCESSORIES .....                | 19   |
| FITTINGS FOR 81-12 MACHINE ..... | 19   |
| FOOT LIFTER PARTS .....          | 20   |
| KNEE LIFTER PARTS .....          | 21   |
| MACHINE BASE .....               | 21   |
| MACHINE NO. 81-12 .....          | 7    |
| "    " 81-14 .....               | 13   |
| NUMERICAL LIST OF PARTS .....    | 23   |
| OBSOLETE PARTS .....             | 22   |
| THREAD UNWINDER .....            | 22   |

COPYRIGHT, U. S. A., 1916, 1917, 1918, 1922, 1923, 1928 AND 1929  
BY THE SINGER MANUFACTURING CO.  
ALL RIGHTS RESERVED FOR ALL COUNTRIES

# INSTRUCTIONS FOR ORDERING

In ordering from this list, use **ONLY** the part NUMBER in the **FIRST** column.

The number stamped on a Sewing Machine part is in every case the number of the single part only.

Every combination of parts sent out as such has its specific number, which, although not stamped on the parts, must be used when ordering the combination.

Each number always indicates the **SAME PART** in whatever list it appears, or for whatever machine.

The letters after some of the numbers indicate the style of finish only, as follows:

- A—Hardened, Polished, Nickel Plated and Buffed
- B—Polished, Nickel Plated and Buffed
- C—Hardened Only
- D—Polished Only
- E—Soft, Not Polished
- F—Hardened and Polished
- H—Blued
- J—Nickel Plated Only
- K—Hardened and Nickel Plated
- L—Brass Plated
- M—Oxidized
- N—Japanned, Dull
- P—Japanned, Bright
- R—Merlized
- T—Copper Plated
- T. A.—Hardened, Polished, Copper and Nickel Plated and Buffed
- T. B.—Copper and Nickel Plated and Polished
- T. J.—Copper and Nickel Plated Only
- T. K.—Hardened, Copper and Nickel Plated
- T. M.—Copper Plated and Oxidized
- T. L.—Copper and Brass Plated
- U—Zinc Plated
- V—Silver Plated
- W—Polished and Nickel Plated
- Z—Chromium Plated
- Z. B.—Polished, Nickel Plated, Buffed and Chromium Plated
- Z. J.—Nickel and Chromium Plated

These letters **MUST BE USED** when they appear in the list; and **AFTER** the number **as** in the list.

In this series:

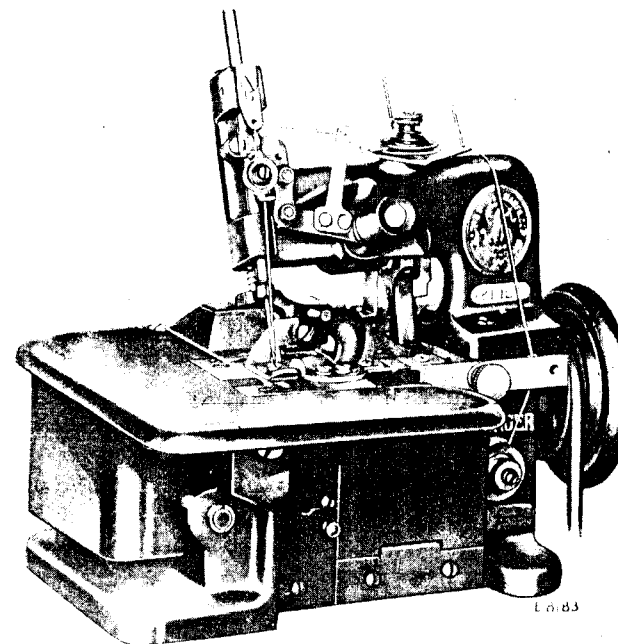
- 1 to 1500 and 50001 to 51500 are Screw Numbers
- 1501 to 1800 and 51501 to 51800 are Nut Numbers
- 1801 to 2000 and 51801 to 52000 are Roller Numbers
- 2001 to 50000 and 52001 and upward are numbers of Machine Parts

The figures in the second column refer only to the plates, illustrating the parts, and are **NOT TO BE USED** in ordering.

Parts marked with an asterisk (\*) are furnished only when repairs are made at factory.

## LIST OF PARTS COMPLETE

FOR



## MACHINE No. 81-12

**FOR OVEREDGING FELT, CORK OR LEATHER INSOLES, ETC. NO TRIMMER. HAS CLEARANCE BACK OF PRESSER FOOT FOR CONVENIENCE IN STITCHING AROUND CURVES. BIGHT ADJUSTABLE FROM 1/8 INCH TO 1/2 INCH. THREE-THREAD STITCH. FOOT LIFTER.**

NOTE: This machine can also be used for overedging automobile rugs, carpets, etc. When required for this purpose it must be so specified on order.

| NO.    | PLATE     | NAME  |
|--------|-----------|---|
| *42485 | —         | Arm with two each 462c, 624c, 42253 and 42487.....        |
| 4389   | 5585      | Arm Dowel Pin.....  |
|        | 949E 5587 | " Screw.....  |
| 42001  | 7390      | Balance Wheel, 2 3/8 in. pulley, with 424c and 1354c..... |

| NO.    | PLATE | NAME  |
|--------|-------|---|
| 1354c  | 5587  | Balance Wheel Position Screw.....   |
| 424c   | 5587  | “ “ Set Screw.....  |
| 42229  | 5528  | Cloth Plate.....  |
| 42231  | —     | “ “ Extension.....  |
| 229E   | 5587  | “ “ “ Screw.....  |
| 42005  | 7390  | “ “ Lock Spring.....  |
| 236c   | 5587  | “ “ “ “ Screw.....  |
| 42230  | —     | Cloth Plate complete, Nos. 42005, 42229,<br>42231, two 236c and three 229E..... |
| 1437D  | 5587  | Cloth Plate Hinge Screw.....  |
| 1655E  | 5587  | “ “ “ “ Nut.....  |
| 42205  | 5588  | Feed Bar with 1253c.....  |
| 42007  | 5578  | “ “ Hinge Pin.....  |
| 1253c  | 5587  | “ “ “ “ Set Screw.....  |
| 42008  | 5578  | “ Connecting Rod with 42009 and two<br>1057E.....                               |
| *42009 | —     | Feed Connecting Rod Cap.....  |
| 1057E  | 5578  | “ “ “ “ Screw.....  |
| 1373c  | 5578  | “ “ “ Hinge Screw.....  |
| 1520c  | 5578  | “ “ “ “ Nut..   |
| 42191  | 7391  | “ Dog, 21 teeth (16 teeth to the inch)  |
| 190D   | 7388  | “ “ Screw.....  |
| 42011  | 5578  | “ Eccentric with two 453c.....  |
| 42094  | 7390  | “ “ Cover.....  |
| 42102  | 5582  | “ “ “ Holder.....   |
| 283w   | 5582  | “ “ “ “ Thumb Screw   |
| 2749   | 5582  | “ “ “ “ “ “<br>Washer.....  |
| 207D   | 5587  | Feed Eccentric Cover Screw.....   |
| 453c   | 5578  | “ “ Set Screw.....  |
| 42012  | 5578  | “ Lifting Eccentric with two 462c....   |
| 42013  | 5578  | “ “ “ Connection.....   |
| 462c   | 7385  | “ “ “ Set Screw.....  |
| 1374c  | 5578  | “ Regulating Screw Stud.....  |
| 1680c  | 5578  | “ “ “ “ Nut.....  |
| 42290  | 5578  | “ “ “ “ Washer....  |
| 42014  | 5579  | “ Regulator with 233D and two 1259c   |
| 42015  | 5578  | “ “ Connection with 1012E..   |
| 1012E  | 5578  | “ “ “ Adjusting Screw   |
| 1373c  | 5578  | “ “ “ Hinge Screw....   |
| 1520c  | 5578  | “ “ “ “ Nut   |
| 42016  | 5579  | “ “ Hinge Stud.....   |
| 1259c  | 5579  | “ “ Set Screw.....  |
| 233D   | 5579  | “ “ Stop Screw.....   |
| 42019  | 5588  | “ Rock Shaft.....   |
| 42020  | —     | Feed Rock Shaft complete, Nos. 42019<br>and 42021.....                          |

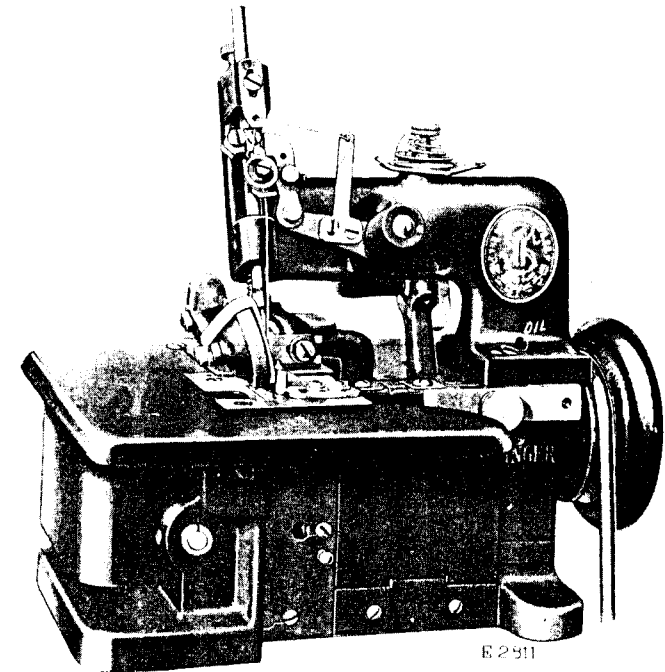
| NO.    | PLATE | NAME   |
|--------|-------|--|
| 42021  | 5578  | Feed Rock Shaft Crank with 157E.....                                       |
| 157E   | 5578  | “ “ “ “ Clamping Screw   |
| 42098  | 5579  | “ “ “ Hinge Pin.....   |
| 42079  | 5579  | “ “ “ “ “ Bushing  |
| 1036c  | 5579  | “ “ “ “ “ “<br>Set Screw.....  |
| *42254 | —     | Frame.....   |
| 42210  | 7390  | “ Rotary Shaft.....  |
| 42024  | 7390  | “ “ “ Bushing (front)....  |
| 1036c  | 5579  | “ “ “ “ “ Set<br>Screw.....  |
| 42211  | 7386  | Frame Rotary Shaft Crank with 1036c<br>and 1375c.....                      |
| 1375c  | 5579  | Frame Rotary Shaft Crank Position Screw                                    |
| 1036c  | 5579  | “ “ “ “ Set Screw....  |
| 42026  | 7390  | “ “ “ Flanged Bushing<br>(back) with 54967.....                            |
| 54967  | 5585  | Frame Rotary Shaft Flanged Bushing<br>(back) Oil Pad (braided cotton)..... |
| 1036c  | 5579  | Frame Rotary Shaft Flanged Bushing<br>(back) Set Screw.....                |
| 42367  | 5585  | Frame Rotary Shaft Front Bearing Oil<br>Pad (braided cotton).....          |
| 42193  | 5588  | Frame Side Cover (left) with 19045.....                                    |
| 19045  | 5585  | “ “ “ “ Handle.....  |
| 330w   | 5587  | “ “ “ “ Screw.....   |
| 42028  | 7390  | “ “ “ (right) hinged.....  |
| 42192  | 7386  | “ “ “ “ Lock Spring....  |
| 330w   | 5587  | “ “ “ “ “ “ Screw  |
| 330w   | 5587  | “ “ “ “ Screw.....   |
| 42255  | 7390  | “ Top Cover.....   |
| 742F   | 5587  | “ “ “ Screw.....   |
| 42256  | 7392  | Guide.....   |
| 217D   | 5585  | “ Screw.....   |
| 7071   | 7392  | “ “ Washer.....  |
| 42219  | 7386  | Looper (left hand).....  |
| 42051  | 5579  | “ “ “ Lever with 209H.....   |
| 42052  | 5579  | “ “ “ “ Connecting Link  |
| 50562c | 7396  | “ “ “ “ “ “<br>Hinge Screw.....  |
| 1520c  | 5578  | Looper (left hand) Lever Connecting Link<br>Hinge Screw Nut.....           |
| 42053  | 5579  | Looper (left hand) Lever Hinge Stud....                                    |
| 1036c  | 5579  | “ “ “ “ “ “ Set<br>Screw.....  |
| 209H   | 5579  | Looper (left hand) Set Screw.....  |
| 42239  | 7388  | “ (right hand).....  |

| NO.    | PLATE | NAME   |
|--------|-------|--|
| 42073  | 5582  | Looper (right hand) and Spreader Lever with 1259c.....                                 |
| 42221  | 7386  | Looper (right hand) and Spreader Lever Ball Stud.....                                  |
| 1259c  | 5579  | Looper (right hand) and Spreader Lever Ball Stud Set Screw.....                        |
| 42075  | 5582  | Looper (right hand) and Spreader Lever Connection with 42059, 42076 and four 896e..... |
| *42076 | —     | Looper (right hand) and Spreader Lever Connection Cap (lower).....                     |
| 896E   | 7396  | Looper (right hand) and Spreader Lever Connection Cap (lower) Screw.....               |
| *42059 | —     | Looper (right hand) and Spreader Lever Connection Cap (upper).....                     |
| 896E   | 7396  | Looper (right hand) and Spreader Lever Connection Cap (upper) Screw.....               |
| 42077  | 7386  | Looper (right hand) and Spreader Lever Connection Guide.....                           |
| 171F   | 7386  | Looper (right hand) and Spreader Lever Connection Guide Screw.....                     |
| 42106  | 7386  | Looper (right hand) and Spreader Lever Connection Oil Tube and Bracket with 29599..... |
| 29599  | 7386  | Looper (right hand) and Spreader Lever Connection Oil Tube Packing (felt)....          |
| 42078  | 7386  | Looper (right hand) and Spreader Lever Hinge Pin.....                                  |
| 42079  | 5579  | Looper (right hand) and Spreader Lever Hinge Pin Bushing.....                          |
| 1259c  | 5579  | Looper (right hand) and Spreader Lever Hinge Pin Bushing Set Screw.....                |
| 197D   | 5582  | Looper (right hand) Screw.....   |
| 38534  | 7385  | Needle Bar (hollow).....   |
| 42253  | 7385  | " " Bushing.....   |
| 462C   | 7385  | " " " Set Screw.....   |
| 42291  | 7385  | " " Connecting Bracket with 223F and 1057D.....  |
| 1057D  | 5578  | Needle Bar Connecting Bracket Clamping Screw.....                                      |
| 42055  | 7385  | Needle Bar Connecting Link.....  |
| 40247  | 7385  | " " " " Hinge Pin...   |
| 223F   | 7385  | " " " " " " Set Screw for 42291.....   |
| 904c   | 7385  | Needle Bar Connecting Link Hinge Pin Set Screw for 42104.....                          |

| NO.    | PLATE | NAME   |
|--------|-------|--|
| 42057  | 7385  | Needle Bar Connecting Rod with 42059, 42076 and four 896E..... |
| *42076 | —     | Needle Bar Connecting Rod Cap (lower)                          |
| 896E   | 7396  | " " " " " " " Screw.....                                       |
| *42059 | —     | Needle Bar Connecting Rod Cap (upper)                          |
| 896E   | 7396  | " " " " " " " Screw.....                                       |
| 42077  | 7386  | Needle Bar Connecting Rod Guide.....                           |
| 171F   | 7386  | " " " " " " " Screw  |
| 42103  | 7385  | " " Crank (back) with 1258c and two 1259c.....                 |
| 42074  | 7385  | Needle Bar Crank (back) Ball Stud.....                         |
| 1259c  | 5579  | " " " " " " " S e t Screw.....                                 |
| 1259c  | 5579  | Needle Bar Crank (back) Position Screw.                        |
| 1258c  | 7385  | " " " " " Set Screw.....                                       |
| 42104  | 7385  | " " " (front) with 904c, 1258c and 1259c.....                  |
| 1259c  | 5579  | Needle Bar Crank (front) Position Screw                        |
| 1258c  | 7385  | " " " " " Set Screw.....                                       |
| 42105  | 7385  | " " " Shaft.....   |
| 42487  | 7396  | " " " " Bushing.....   |
| 624c   | 7396  | " " " " " Set Screw  |
| 42115  | 7385  | " " Thread Retainer Bracket....                                |
| 228D   | 7385  | " " " " " Screw  |
| 42483  | 7396  | " " " " Disc.....  |
| 93c    | 7385  | " " " " Screw.....   |
| 10107  | 7385  | " " " " Spring.....  |
| 1728c  | 7385  | " Clamping Nut.....  |
| 42066  | 7385  | " Guard.....   |
| 42195  | 5588  | " " Holder.....  |
| 1101c  | 5587  | " " " Screw.....   |
| 171F   | 7386  | " " Screw.....   |
| 42257  | 7391  | Presser Foot with 233D and 42258.....                          |
| 42258  | 7391  | " " Chaining-off Finger.....                                   |
| 233D   | 5579  | " " " " Screw..  |
| 172c   | 7392  | " " Screw.....   |
| 39541  | 7392  | " " " Washer.....  |
| 42259  | 7392  | " Lever.....   |
| 42045  | 5582  | " " Hinge Stud.....  |
| 1120c  | 5582  | " " " " Set Screw.....   |
| 42071  | 7386  | " " Spring.....  |
| 1378D  | 7386  | Pressure Regulating Thumb Screw.....                           |
| 42250  | 7386  | Spreader.....  |
| 197D   | 5582  | " Screw.....   |
| 2102   | 5585  | Tension (looper, left hand) Disc.....                          |

| NO.   | PLATE | NAME  |
|-------|-------|---|
| 1560c | 5585  | Tension (looper, left hand) Regulating Thumb Nut..... |
| 828c  | 5585  | Tension (looper, left hand) Screw Stud                |
| 42418 | ----  | " " " " " "   |
|       |       | 828c with 1560c.....                                  |
| 42121 | 7393  | Tension (looper, left hand) Spring.....               |
| 2102  | 5585  | " (looper, right hand) Disc.....                      |
| 1560c | 5585  | " " " " Regulating Thumb Nut.....                     |
| 828c  | 5585  | Tension (looper, right hand) Screw Stud               |
| 42418 | ----  | " " " " " "   |
|       |       | 828c with 1560c.....                                  |
| 10148 | 5585  | Tension (looper, right hand) Spring.....              |
| 17547 | 5585  | " " " " Thread Guide.....                             |
| 2102  | 5585  | Tension (needle thread) Disc.....                     |
| 1560c | 5585  | " " " Regulating Thumb Nut.....                       |
| 916c  | 5585  | Tension (needle thread) Screw Stud.....               |
| 44209 | ----  | " " " " " 916c with 1560c.....                        |
| 2103  | 7386  | Tension (needle thread) Spring.....                   |
| 42082 | 5585  | " " " Thread Guide...                                 |
| 42242 | 7388  | Thread (looper, left hand) Eyelet.....                |
| 233d  | 5579  | " " " " " Screw..                                     |
| 42122 | 7388  | " " " " Nipper Spring (lower).....                    |
| 42123 | 7388  | Thread (looper, left hand) Nipper Spring (upper)..... |
| 176F  | 7388  | Thread (looper, left hand) Nipper Spring Screw.....   |
| 42243 | 7388  | Thread (looper, left hand) Pull-off.....              |
| 42244 | 7388  | " " " " " Eyelet                                      |
| 207d  | 5587  | " " " " " " Screw.....                                |
| 42084 | 5585  | Thread (looper, left hand) Tube.....                  |
| 462c  | 7385  | " " " " " Set Screw                                   |
| 42093 | 5585  | Thread (looper, right hand) Staple.....               |
| 190d  | 7388  | " " " " " Screw                                       |
| 42127 | 5585  | " " " " Take-up....                                   |
| 197d  | 5582  | " " " " " Screw                                       |
| 42006 | 5585  | " (needle) Eyelet.....                                |
| 217d  | 5585  | " " " Screw.....                                      |
| 42128 | 5588  | " " Take-up.....                                      |
| 197d  | 5582  | " " " Screw.....                                      |
| 42260 | 7391  | Throat Plate for 4219L.....                           |
| 42261 | 7392  | " " Extension.....                                    |
| 1231F | 7392  | " " " Screw.....                                      |
| 742F  | 5587  | " " Screw.....  |

## LIST OF PARTS COMPLETE FOR



## MACHINE No. 81-14

FOR CLOSING HEAVY GLOVES, OVEREDGING SHOE TOPS, ETC.  
NO TRIMMER. NARROW BIGHT, ADJUSTABLE FROM  $\frac{3}{8}$   
TO  $\frac{1}{2}$  INCH. HAS CLEARANCE BACK OF NEEDLE FOR  
STITCHING AROUND ABRUPT CURVES. ROLLER PRESSER.  
TWO-THREAD STITCH. FOOT LIFTER.

| NO.    | PLATE | NAME  |
|--------|-------|---|
| *42485 | ----  | Arm with two each 462c, 624c, 42253 and 42487.....                  |
| 4389   | 5585  | Arm Dowel Pin.....  |
| 949E   | 5587  | " Screw.....  |
| 42001  | 7390  | Balance Wheel, $2\frac{3}{16}$ in. pulley, with 424c and 1354c..... |

| NO.    | PLATE | NAME  |
|--------|-------|---|
| 1354c  | 5587  | Balance Wheel Position Screw.....   |
| 424c   | 5587  | “ “ Set Screw.....  |
| 42229  | 5528  | Cloth Plate.....  |
| 42231  | 5528  | “ “ Extension.....  |
| 229E   | 5587  | “ “ “ Screw.....  |
| 42005  | 7390  | “ “ Lock Spring.....  |
| 236c   | 5587  | “ “ “ “ Screw.....  |
| 42230  | —     | Cloth Plate complete, Nos. 42005, 42229,<br>42231, two 236c and three 229E..... |
| 1437D  | 5587  | Cloth Plate Hinge Screw.....  |
| 1655E  | 5587  | “ “ “ “ Nut.....  |
| 42205  | 5588  | Feed Bar with 1253c.....  |
| 42007  | 5578  | “ “ Hinge Pin.....  |
| 1253c  | 5587  | “ “ “ “ Set Screw.....  |
| 42008  | 5578  | “ Connecting Rod with 42009 and two<br>1057E.....                               |
| *42009 | —     | Feed Connecting Rod Cap.....  |
| 1057E  | 5578  | “ “ “ “ Screw.....  |
| 1373c  | 5578  | “ “ “ Hinge Screw.....  |
| 1520c  | 5578  | “ “ “ “ Nut..   |
| 42273  | 7391  | “ Dog, 16 teeth (16 teeth to the inch)  |
| 190D   | 7388  | “ “ Screw.....  |
| 42011  | 5578  | “ Eccentric with two 453c.....  |
| 42094  | 7390  | “ “ Cover.....  |
| 42102  | 5582  | “ “ “ Holder.....   |
| 283w   | 5582  | “ “ “ “ Thumb Screw   |
| 2749   | 5582  | “ “ “ “ “ “<br>Washer.....  |
| 207D   | 5587  | Feed Eccentric Cover Screw.....   |
| 453c   | 5578  | “ “ Set Screw.....  |
| 42012  | 5578  | “ Lifting Eccentric with two 462c....   |
| 42013  | 5578  | “ “ “ Connection.....   |
| 462c   | 7385  | “ “ “ Set Screw.....  |
| 1374c  | 5578  | “ Regulating Screw Stud.....  |
| 1680c  | 5578  | “ “ “ “ Nut.....  |
| 42290  | 5578  | “ “ “ “ Washer....  |
| 42014  | 5579  | “ Regulator with 233D and two 1259c   |
| 42015  | 5578  | “ “ Connection with 1012E..   |
| 1012E  | 5578  | “ “ “ Adjusting Screw   |
| 1373c  | 5578  | “ “ “ Hinge Screw...  |
| 1520c  | 5578  | “ “ “ “ “ Nut   |
| 42016  | 5579  | “ “ Hinge Stud.....   |
| 1259c  | 5579  | “ “ Set Screw.....  |
| 233D   | 5579  | “ “ Stop Screw.....   |
| 42019  | 5588  | “ Rock Shaft.....   |
| 42020  | —     | Feed Rock Shaft complete, Nos. 42019<br>and 42021.....                          |

| NO.    | PLATE | NAME   |
|--------|-------|--|
| 42021  | 5578  | Feed Rock Shaft Crank with 157E.....                                       |
| 157E   | 5578  | “ “ “ “ Clamping Screw   |
| 42098  | 5579  | “ “ “ Hinge Pin.....   |
| 42079  | 5579  | “ “ “ “ Bushing....  |
| 1036c  | 5579  | “ “ “ “ “ Set<br>Screw.....  |
| *42254 | —     | Frame.....   |
| 42023  | 7390  | “ Rotary Shaft.....  |
| 42024  | 7390  | “ “ “ Bushing (front)....  |
| 1036c  | 5579  | “ “ “ “ “ Set<br>Screw.....  |
| 42025  | 5579  | Frame Rotary Shaft Crank with 1259c<br>and 1375c.....                      |
| 1375c  | 5579  | Frame Rotary Shaft Crank Position Screw                                    |
| 1259c  | 5579  | “ “ “ “ Set Screw....  |
| 42026  | 7390  | “ “ “ Flanged Bushing<br>(back) with 54967.....                            |
| 54967  | 5585  | Frame Rotary Shaft Flanged Bushing<br>(back) Oil Pad (braided cotton)..... |
| 1036c  | 5579  | Frame Rotary Shaft Flanged Bushing<br>(back) Set Screw.....                |
| 42367  | 5585  | Frame Rotary Shaft Front Bearing Oil<br>Pad (braided cotton).....          |
| 42193  | 5588  | Frame Side Cover (left) with 19045.....                                    |
| 19045  | 5585  | “ “ “ “ Handle.....  |
| 330w   | 5587  | “ “ “ “ Screw.....   |
| 42028  | 7390  | “ “ “ (right) hinged.....  |
| 42192  | 7386  | “ “ “ “ Lock Spring...   |
| 330w   | 5587  | “ “ “ “ “ “ Screw  |
| 330w   | 5587  | “ “ “ “ “ “ Screw.....   |
| 42255  | 7390  | “ Top Cover.....   |
| 742F   | 5587  | “ “ “ Screw.....   |
| 42274  | 7392  | Guide.....   |
| 217D   | 5585  | “ Screw.....   |
| 7071   | 7392  | “ “ Washer.....  |
| 42114  | 5582  | Looper (left hand).....  |
| 42051  | 5579  | “ “ “ Lever with 209H.....   |
| 42052  | 5579  | “ “ “ “ Connecting Link  |
| 50562c | 7396  | “ (left hand) Lever Connecting Link<br>Hinge Screw.....                    |
| 1520c  | 5578  | Looper (left hand) Lever Connecting Link<br>Hinge Screw Nut.....           |
| 42053  | 5579  | Looper (left hand) Lever Hinge Stud....                                    |
| 1036c  | 5579  | “ “ “ “ “ “ Set<br>Screw.....  |
| 209H   | 5579  | Looper (left hand) Set Screw.....  |
| 42166  | 5582  | “ (right hand).....  |

| NO.    | PLATE | NAME   |
|--------|-------|--|
| 42073  | 5582  | Looper (right hand) and Spreader Lever with 1259c.....                                 |
| 42074  | 5582  | Looper (right hand) and Spreader Lever Ball Stud.....                                  |
| 1259c  | 5579  | Looper (right hand) and Spreader Lever Ball Stud Set Screw.....                        |
| 42075  | 5582  | Looper (right hand) and Spreader Lever Connection with 42059, 42076 and four 896E..... |
| *42076 | —     | Looper (right hand) and Spreader Lever Connection Cap (lower).....                     |
| 896E   | 7396  | Looper (right hand) and Spreader Lever Connection Cap (lower) Screw.....               |
| *42059 | —     | Looper (right hand) and Spreader Lever Connection Cap (upper).....                     |
| 896E   | 7396  | Looper (right hand) and Spreader Lever Connection Cap (upper) Screw.....               |
| 42077  | 7386  | Looper (right hand) and Spreader Lever Connection Guide.....                           |
| 171F   | 7386  | Looper (right hand) and Spreader Lever Connection Guide Screw.....                     |
| 42106  | 7386  | Looper (right hand) and Spreader Lever Connection Oil Tube and Bracket with 29599..... |
| 29599  | 7386  | Looper (right hand) and Spreader Lever Connection Oil Tube Packing (felt)....          |
| 42078  | 7386  | Looper (right hand) and Spreader Lever Hinge Pin.....                                  |
| 42079  | 5579  | Looper (right hand) and Spreader Lever Hinge Pin Bushing.....                          |
| 1259c  | 5579  | Looper (right hand) and Spreader Lever Hinge Pin Bushing Set Screw.....                |
| 197D   | 5582  | Looper (right hand) Screw.....   |
| 38534  | 7385  | Needle Bar (hollow).....   |
| 42253  | 7385  | " " Bushing.....   |
| 462c   | 7385  | " " " Set Screw.....   |
| 42291  | 7385  | " " Connecting Bracket with 223F and 1057D.....  |
| 1057D  | 5578  | Needle Bar Connecting Bracket Clamping Screw.....                                      |
| 42055  | 7385  | Needle Bar Connecting Link.....  |
| 40247  | 7385  | " " " " Hinge Pin...   |
| 223F   | 7385  | " " " " " " Set Screw for 42291.....   |
| 904c   | 7385  | Needle Bar Connecting Link Hinge Pin Set Screw for 42104.....                          |

| NO.    | PLATE | NAME   |
|--------|-------|--|
| 42057  | 7385  | Needle Bar Connecting Rod with 42059, 42076 and four 896E..... |
| *42076 | —     | Needle Bar Connecting Rod Cap (lower)                          |
| 896E   | 7396  | " " " " " " " Screw.....                                       |
| *42059 | —     | Needle Bar Connecting Rod Cap (upper)                          |
| 896E   | 7396  | " " " " " " " Screw.....                                       |
| 42077  | 7386  | Needle Bar Connecting Rod Guide.....                           |
| 171F   | 7386  | " " " " " " Screw  |
| 42103  | 7385  | " " Crank (back) with 1258c and two 1259c.....                 |
| 42074  | 7385  | Needle Bar Crank (back) Ball Stud.....                         |
| 1259c  | 5579  | " " " " " " Set Screw.....                                     |
| 1259c  | 5579  | Needle Bar Crank (back) Position Screw.                        |
| 1258c  | 7385  | " " " " " Set Screw.....                                       |
| 42104  | 7385  | Needle Bar Crank (front) with 904c, 1258c and 1259c.....       |
| 1259c  | 5579  | Needle Bar Crank (front) Position Screw                        |
| 1258c  | 7385  | " " " " " Set Screw.....                                       |
| 42105  | 7385  | " " " Shaft.....   |
| 42487  | 7396  | " " " " Bushing.....   |
| 624c   | 7396  | " " " " " Set Screw  |
| 42115  | 7385  | " " Thread Retainer Bracket....                                |
| 228D   | 7385  | " " " " " Screw  |
| 42483  | 7396  | " " " " Disc.....  |
| 93c    | 7385  | " " " " " Screw.....   |
| 10107  | 7385  | " " " " " Spring.....  |
| 1728c  | 7385  | " Clamping Nut.....  |
| 42066  | 7385  | " Guard.....   |
| 42195  | 5588  | " " Holder.....  |
| 1101c  | 5587  | " " " Screw.....   |
| 171F   | 7386  | " " " Screw.....   |
| 42259  | 7392  | Presser Lever.....   |
| 42045  | 5582  | " " Hinge Stud.....  |
| 1120c  | 5582  | " " " " Set Screw.....   |
| 42071  | 7386  | " " Spring.....  |
| 1378D  | 7386  | Pressure Regulating Thumb Screw.....                           |
| 1991   | 5574  | Roller, 1½ in. diam., with 634D and 1528J                      |
| 42275  | 5574  | " Arm.....   |
| 447F   | 5574  | " " Adjusting Screw.....                                       |
| 1547J  | 5574  | " " " " Nut.....   |
| 42285  | 5574  | " " Bracket.....   |
| 646D   | 5574  | " " Hinge Screw.....   |
| 42277  | 5574  | " " Lock Spring.....   |
| 227D   | 5574  | " " " " " Screw.....   |



| NO.   | PLATE | NAME   |
|-------|-------|--|
| 42286 | 5571  | Roller Presser Finger.....   |
| 42287 | 5571  | Roller Presser complete, 1½ in. roller,<br>Nos. 227b, 447F, 646b, 1547j, 1991,<br>42275, 42277, 42285 and 42286..... |
| 172c  | 7392  | Roller Presser Screw.....  |
| 39541 | 7392  | “ “ “ Washer.....  |
| 634b  | 5571  | “ Screw.....   |
| 1528j | 5571  | “ “ Nut.....   |
| 42072 | 7392  | Spreader.....  |
| 197d  | 5582  | “ Screw.....   |
| 2102  | 5585  | Tension (looper, left hand) Disc.....  |
| 1560c | 5585  | “ “ “ “ Regulating<br>Thumb Nut.....   |
| 828c  | 5585  | Tension (looper, left hand) Screw Stud   |
| 42418 | —     | “ “ “ “ “ “<br>828c with 1560c.....  |
| 42121 | 7393  | Tension (looper, left hand) Spring.....  |
| 2102  | 5585  | “ (looper, right hand) Disc.....   |
| 1560c | 5585  | “ “ “ “ Regulating<br>Thumb Nut.....   |
| 828c  | 5585  | Tension (looper, right hand) Screw Stud  |
| 42418 | —     | “ “ “ “ “ “<br>828c with 1560c.....  |
| 10148 | 5585  | Tension (looper, right hand) Spring.....   |
| 17547 | 5585  | “ “ “ “ Thread Guide   |
| 2102  | 5585  | “ (needle thread) Disc.....  |
| 1560c | 5585  | “ “ “ “ Regulating Thumb<br>Nut.....   |
| 916c  | 5585  | Tension (needle thread) Screw Stud.....  |
| 44209 | —     | “ “ “ “ “ “ 916c<br>with 1560c.....  |
| 2103  | 7386  | Tension (needle thread) Spring.....  |
| 42082 | 5585  | “ “ “ “ Thread Guide...  |
| 42242 | 7388  | Thread (looper, left hand) Eyelet.....   |
| 233b  | 5579  | “ “ “ “ “ Screw  |
| 42084 | 5585  | “ “ “ “ Tube.....  |
| 462c  | 7385  | “ “ “ “ “ Set Screw  |
| 42093 | 5585  | “ (looper, right hand) Staple.....   |
| 190b  | 7388  | “ “ “ “ “ Screw  |
| 42127 | 5585  | “ “ “ “ Take-up.....   |
| 197d  | 5582  | “ “ “ “ “ Screw  |
| 42096 | 5585  | “ (needle) Eyelet.....   |
| 217d  | 5585  | “ “ “ “ Screw.....   |
| 42128 | 5588  | “ “ “ “ Take-up.....   |
| 197d  | 5582  | “ “ “ “ “ Screw.....   |
| 42280 | 7391  | Throat Plate for 42273.....  |
| 42261 | 7392  | “ “ “ “ Extension.....   |

| NO.   | PLATE | NAME                              |
|-------|-------|-----------------------------------|
| 1231F | 7392  | Throat Plate Extension Screw..... |
| 742F  | 5587  | “ “ “ “ Screw.....                |

## ACCESSORIES

| NO.    | PLATE | NAME  |
|--------|-------|---|
| 1407E  | 5563  | Machine Base Thumb Screw, for 3 in.<br>table..... |
| 1408E  | 5563  | Machine Base Thumb Screw, for 2 in.<br>table..... |
| 14063  | 7393  | Machine Base Thumb Screw Spring.....              |
| 9842   | 7393  | “ “ “ “ “ Washer                                  |
| 120344 | 5566  | Oiler (copper plated) with 120345.....            |
| 120345 | 5566  | “ Spout, 5 in. long.....                          |
| 120440 | 5566  | Screw Driver.....                                 |
| 42090  | 5566  | Threading Wire.....                               |
| 120341 | 5566  | Tweezers (curved).....                            |
| 42089  | 5566  | Wrench for 1374 and 1629.....                     |
| 8908   | 5566  | “ “ 1520 and 1655.....                            |
| 4822   | 5566  | “ “ 1547.....                                     |

## FITTINGS

### FOR 81-12 MACHINE

#### FOR STITCHING AROUND CORNERS ON AUTOMOBILE RUGS WITH A THREE-THREAD OVEREDGE STITCH

| NO.   | PLATE | NAME  |
|-------|-------|---|
| 42447 | 7405  | Feed Dog, 14 teeth (10 teeth to the inch)                 |
| 42455 | 7388  | Guide.....  |
| 217d  | 5585  | “ Screw.....  |
| 7071  | 7392  | “ “ Washer.....   |
| 42456 | 7388  | Looper Guard.....   |
| 330w  | 5587  | “ “ “ “ Screw.....  |
| 42489 | 7388  | Presser Foot Body.....                                    |
| 42457 | 7388  | “ “ “ “ Chaining-off Finger.....                          |
| 233D  | 5579  | “ “ “ “ “ Screw...  |
| 42458 | 7388  | Presser Foot complete, Nos. 233b, 42457<br>and 42489..... |
| 42245 | 7388  | Thread (looper, right hand) Take-up.....                  |
| 197d  | 5582  | “ “ “ “ “ “ Screw   |
| 42448 | 7405  | Throat Plate for 42447.....                               |

**FOR STITCHING BLANKETS, CARPETS, RUGS, ETC., WITH  
A THREE-THREAD OVEREDGE STITCH**

| NO.    | PLATE | NAME   |
|--------|-------|--|
| 42447  | 7405  | Feed Dog, 14 teeth (10 teeth to the inch)                              |
| 42235  | 7383  | Guide Body.....  |
| 42236  | 7383  | " Finger.....  |
| 50365D | 7388  | " " Screw.....   |
| 42237  | 7383  | " Smoothing Plate.....   |
| 203F   | 5587  | " " " Screw.....   |
| 7071   | 7392  | " " " Washer...  |
| 42238  | 7383  | Guide complete, Nos. 203F, 7071, 42235 to<br>42237 and two 50365D..... |
| 42489  | 7388  | Presser Foot Body.....   |
| 42241  | 7383  | " " Chaining-off Finger.....   |
| 233D   | 5579  | " " " " Screw..  |
| 42240  | 7383  | Presser Foot complete, Nos. 233D, 42241<br>and 42489.....              |
| 42245  | 7388  | Thread (looper, right hand) Take-up....                                |
| 197D   | 5582  | " " " " " Screw  |
| 42448  | 7405  | Throat Plate for 42447.....  |

## FOOT LIFTER PARTS

| NO.   | PLATE | NAME  |
|---|-------|---|
| 6439  | —     | Chain, 36 in. to 45 in., with 56864 and<br>56865.....   |
| NOTE: When ordering No. 6439, give length required. |       |   |
| 4879  | 5566  | Chain Connecting Link.....  |
| 56864   | 5566  | " Hook (large).....   |
| 56865   | 7396  | " " (small).....  |
| 42281   | 7393  | Lifting Lever.....  |
| 42282   | 7393  | " " Bracket.....  |
| 1288D   | 7393  | " " " Screw.....  |
| 1301D   | 7393  | " " Hinge Screw.....  |
| 25033   | 7393  | " " Spring.....   |
| 440F  | 7393  | " " Stop Screw.....   |
| 1547J   | 7393  | " " " " Nut.....  |
| 4881  | 5564  | Treadle.....  |
| 4882  | 5566  | " Shaft.....  |
| 4883  | 5566  | " Spring.....   |
| 4884  | 5564  | " Stand.....  |
| 4885  | 5564  | Treadle complete, Nos. 4879, 4881 to 4884<br>and two wood screws 1 in. No. 16....                   |
| 42283   | —     | Foot Lifter complete, Nos. 440F, 1288D,<br>1301D, 1547J, 4885, 6439, 25033, 42281<br>and 42282..... |

## KNEE LIFTER PARTS

| NO.   | PLATE | NAME  |
|-------|-------|---|
| 42281 | 7393  | Lifting Lever.....  |
| 42282 | 7393  | " " Bracket.....  |
| 1288D | 7393  | " " " Screw.....  |
| 1301D | 7393  | " " Hinge Screw.....  |
| 17886 | 7390  | " " Pitman.....   |
| 25033 | 7393  | " " Spring.....   |
| 440F  | 7393  | " " Stop Screw.....   |
| 1547J | 7393  | " " " " Nut.....  |
| 2763  | 5564  | Rock Shaft.....   |
| 12242 | 5564  | " " Hanger with two wood screws<br>1 in. No. 10.....  |
| 2765  | 5564  | Rock Shaft Knee Arm.....  |
| 2766  | 5564  | " " " " Hub with 356c...  |
| 356C  | 5587  | " " " " " Set Screw...  |
| 2768  | —     | Rock Shaft Knee Arm complete, Nos.<br>2765 to 2767.....   |
| 2767  | 5564  | Rock Shaft Knee Plate with 356c.....  |
| 356C  | 5587  | " " " " " Set Screw.....  |
| 6337  | 5564  | " " Lifting Bracket with two 356c   |
| 7125  | 5564  | " " " " " Hook.....   |
| 356C  | 5587  | " " " " " Set Screw...  |
| 356C  | 5587  | " " " " " Set Screw...  |
| 2770  | 5564  | " " Stop Dog with 356c.....   |
| 356C  | 5587  | " " " " " Set Screw.....  |
| 42143 | 5564  | Rock Shaft complete, Nos. 2763, 2768,<br>6337, 7125 and two each 2770 and 12242                       |
| 42284 | —     | Knee Lifter complete, Nos. 440F, 1288D,<br>1301D, 1547J, 17886, 25033, 42143,<br>42281 and 42282..... |

## MACHINE BASE

| NO.   | PLATE | NAME   |
|-------|-------|--|
| 42086 | 5564  | Machine Base with three wood screws 1¼<br>in. No. 12 and four each 935E, 4718,<br>42088 and 66707..... |
| 4718  | 7393  | Machine Base Cushion (felt).....   |
| 42088 | 7393  | " Cushion (felt).....  |
| 935E  | 7393  | " " Screw.....   |
| 66707 | 7396  | " " " Washer.....  |

## THREAD UNWINDER

### FOR THREE SPOOLS

| NO.     | PLATE | NAME  |
|---------|-------|---|
| 225389  | 7165  | Spool Rest (for one spool) with 201018c..   |
| 225395  | 7165  | " " (for two spools) with 201018c   |
| 225388  | 7165  | " " Rod.....  |
| 200383c | 7396  | " " " Set Screw.....  |
| 201018c | 7396  | " " Set Screw.....  |
| 202490  | 7165  | " Stand with 200383c.....   |
| 225391  | 7165  | Thread Guide.....   |
| 201696J | 7396  | " " Lock Nut.....   |
| 225392  | 7165  | " " Rod with 208E and 225393  |
| 208E    | 5587  | " " " Screw.....  |
| 225393  | 7396  | " " " Washer.....   |
| 225397  | 7165  | Thread Unwinder complete, Nos. 201696J,<br>202490, 225388, 225389, 225392, 225395,<br>three 225391 and wood screws $\frac{1}{8}$ in.<br>No. 12..... |
| 27739   | 7234  | Thread Cone (wood) for large cones.....   |
| 225390  | 7234  | " " Holder, for inverted cones..  |

NOTE: Nos. 27739 and 225390 are used with, but not included in 225397

## OBSOLETE PARTS

| NO.    | PLATE | NAME   |
|--------|-------|--|
| *42252 | —     | Arm with two each 462c and 42253.....                        |
| 378c   | 5579  | Looper (left hand) Lever Connecting<br>Link Hinge Screw..... |

**SINGER** Needles should be used  
in **SINGER** Machines  
These Needles and their Containers  
are marked with the  
Company's Trade Mark "SIMANCO.\*" 1

Needles in Containers marked  
"FOR SINGER MACHINES"  
are NOT **SINGER** made needles. 2

## NUMERICAL LIST OF PARTS

| NO.  | PLATE | NAME   |
|------|-------|--|
| 93c  | 7385  | Needle Bar Thread Retainer Screw.....                                      |
| 157E | 5578  | Feed Rock Shaft Crank Clamping Screw<br>for 42021.....                     |
| 171F | 7386  | Looper (right hand) and Spreader Lever<br>Connection Guide Screw.....      |
| 171F | 7386  | Needle Bar Connecting Rod Guide Screw                                      |
| 171F | 7386  | " Guard Screw.....   |
| 172c | 7392  | Presser Foot Screw for 81-12 Machine...                                    |
| 172c | 7392  | Roller Presser Screw for 81-14 Machine..                                   |
| 176F | 7388  | Thread (looper, left hand) Nipper Spring<br>Screw for 81-12 Machine.....   |
| 190D | 7388  | Feed Dog Screw.....  |
| 190D | 7388  | Thread (looper, right hand) Staple Screw                                   |
| 197D | 5582  | Looper (right hand) Screw.....   |
| 197D | 5582  | Spreader Screw.....  |
| 197D | 5582  | Thread (looper, right hand) Take-up<br>Screw.....                          |
| 197D | 5582  | Thread (needle) Take-up Screw.....   |
| 203F | 5587  | Guide Smoothing Plate Screw for 42238..                                    |
| 207D | 5587  | Feed Eccentric Cover Screw.....  |
| 207D | 5587  | Thread (looper, left hand) Pull-off Eyelet<br>Screw for 81-12 Machine..... |
| 208E | 5587  | Thread Unwinder Thread Guide Rod<br>Screw for 225392.....                  |
| 209H | 5579  | Looper (left hand) Set Screw for 42051...                                  |
| 217D | 5585  | Guide Screw.....   |
| 217D | 5585  | Thread (needle) Eyelet Screw.....  |
| 223F | 7385  | Needle Bar Connecting Link Hinge Pin<br>Set Screw for 42291.....           |
| 227D | 5574  | Roller Arm Lock Spring Screw for 42287..                                   |
| 228D | 7385  | Needle Bar Thread Retainer Bracket<br>Screw.....                           |
| 229E | 5587  | Cloth Plate Extension Screw for 42230...                                   |
| 233D | 5579  | Feed Regulator Stop Screw for 42014....                                    |
| 233D | 5579  | Presser Foot Chaining-off Finger Screw<br>42240, 42257 and 42458.....      |
| 233D | 5579  | Thread (looper, left hand) Eyelet Screw..                                  |
| 236C | 5587  | Cloth Plate Lock Spring Screw for 42230                                    |
| 283W | 5582  | Feed Eccentric Cover Holder Thumb<br>Screw.....                            |
| 330W | 5587  | Frame Side Cover (left) Screw.....   |
| 330W | 5587  | " " " (right) Lock Spring<br>Screw.....                                    |
| 330W | 5587  | Frame Side Cover (right) Screw.....  |

| NO. PLATE  | NAME   |
|------------|--|
| 330d 5587  | Looper Guard Screw.....  |
| 356c 5587  | Rock Shaft Knee Arm Hub Set Screw for 2766.....                                    |
| 356c 5587  | Rock Shaft Knee Plate Set Screw for 2767   |
| 356c 5587  | “ “ Lifting Bracket Hook Set Screw for 6337.....                                   |
| 356c 5587  | Rock Shaft Lifting Bracket Set Screw for 6337.....                                 |
| 356c 5587  | Rock Shaft Stop Dog Set Screw for 2770   |
| 378 5579   | Looper (left hand) Lever Connecting Link Hinge Screw.....                          |
| 424c 5587  | Balance Wheel Set Screw for 42001.....   |
| 440F 7393  | Lifting Lever Stop Screw for 42283 and 42284.....                                  |
| 447F 5574  | Roller Arm Adjusting Screw for 42287...  |
| 453c 5578  | Feed Eccentric Set Screw for 42011.....  |
| 462c 7385  | “ Lifting Eccentric Set Screw for 42012  |
| 462c 7385  | Needle Bar Bushing Set Screw for 42252 and 42485.....                              |
| 462c 7385  | Thread (looper, left hand) Tube Set Screw  |
| 624c 7396  | Needle Bar Crank Shaft Bushing Set Screw for 42485.....                            |
| 634d 5574  | Roller Screw for 1991.....   |
| 646d 5574  | “ Arm Hinge Screw for 42287.....   |
| 742F 5587  | Frame Top Cover Screw.....   |
| 742F 5587  | Throat Plate Screw.....  |
| 828c 5585  | Tension (looper, left hand) Screw Stud for 42418.....                              |
| 828c 5585  | Tension (looper, right hand) Screw Stud for 42418.....                             |
| 896E 7396  | Looper (right hand) and Spreader Lever Connection Cap (lower) Screw for 42075      |
| 896E 7396  | Looper (right hand) and Spreader Lever Connection Cap (upper) Screw for 42075..... |
| 896E 7396  | Needle Bar Connecting Rod Cap (lower) Screw for 42057.....                         |
| 896E 7396  | Needle Bar Connecting Rod Cap (upper) Screw for 42057.....                         |
| 901c 7385  | Needle Bar Connecting Link Hinge Pin Set Screw for 42104.....                      |
| 916c 5585  | Tension (needle thread) Screw Stud for 44209.....                                  |
| 935d 7393  | Machine Cushion Screw for 42086.....   |
| 949E 5587  | Arm Screw.....   |
| 1012E 5578 | Feed Regulator Connection Adjusting Screw for 42015.....                           |

| NO. PLATE  | NAME  |
|------------|---|
| 1036c 5579 | Feed Rock Shaft Hinge Pin Bushing Set Screw.....                          |
| 1036c 5579 | Frame Rotary Shaft Bushing (front) Set Screw.....                         |
| 1036c 5579 | Frame Rotary Shaft Crank Set Screw for 42211.....                         |
| 1036c 5579 | Frame Rotary Shaft Flanged Bushing (back) Set Screw.....                  |
| 1036c 5579 | Looper (left hand) Lever Hinge Stud Set Screw.....                        |
| 1057E 5578 | Feed Connecting Rod Cap Screw for 42008.....                              |
| 1057d 5578 | Needle Bar Connecting Bracket Clamping Screw for 42291.....               |
| 1101c 5587 | Needle Guard Holder Screw.....  |
| 1120c 5582 | Presser Lever Hinge Stud Set Screw.....                                   |
| 1231F 7392 | Throat Plate Extension Screw.....   |
| 1253c 5587 | Feed Bar Hinge Pin Set Screw for 42205..                                  |
| 1258c 7385 | Needle Bar Crank (back) Set Screw for 42103.....                          |
| 1258c 7385 | Needle Bar Crank (front) Set Screw for 42104.....                         |
| 1259c 5579 | Feed Regulator Set Screw for 42014....                                    |
| 1259c 5579 | Frame Rotary Shaft Crank Set Screw for 42025.....                         |
| 1259c 5579 | Looper (right hand) and Spreader Lever Ball Stud Set Screw for 42073..... |
| 1259c 5579 | Looper (right hand) and Spreader Lever Hinge Pin Bushing Set Screw.....   |
| 1259c 5579 | Needle Bar Crank (back) Ball Stud Set Screw for 42103.....                |
| 1259c 5579 | Needle Bar Crank (back) Position Screw for 42103.....                     |
| 1259c 5579 | Needle Bar Crank (front) Position Screw for 42104.....                    |
| 1288d 7393 | Lifting Lever Bracket Screw for 42283 and 42284.....                      |
| 1301d 7393 | Lifting Lever Hinge Screw for 42283 and 42284.....                        |
| 1354c 5587 | Balance Wheel Position Screw for 42001..                                  |
| 1373c 5578 | Feed Connecting Rod Hinge Screw.....                                      |
| 1373c 5578 | “ Regulator Connection Hinge Screw  |
| 1374c 5578 | “ Regulating Screw Stud.....  |
| 1375c 5579 | Frame Rotary Shaft Crank Position Screw for 42025 and 42211.....          |
| 1378d 7386 | Pressure Regulating Thumb Screw.....                                      |

| NO.                        | PLATE | NAME   |
|----------------------------|-------|--|
| 1407E                      | 5563  | Machine Base Thumb Screw, for 3 in. table (Accessories).....     |
| 1408E                      | 5563  | Machine Base Thumb Screw, for 2 in. table (Accessories).....     |
| 1437D                      | 5587  | Cloth Plate Hinge Screw.....                                     |
| 1520c                      | 5578  | Feed Connecting Rod Hinge Screw Nut..                            |
| 1520c                      | 5578  | “ Regulator Connection Hinge Screw Nut.....                      |
| 1520c                      | 5578  | Looper (left hand) Lever Connecting Link Hinge Screw Nut.....    |
| 1528J                      | 5574  | Roller Screw Nut for 1991.....                                   |
| 1547J                      | 5574  | “ Arm Adjusting Screw Nut for 42287                              |
| 1547D                      | 7393  | Lifting Lever Stop Screw Nut for 42283 and 42284.....            |
| 1560c                      | 5585  | Tension (looper, left hand) Regulating Thumb Nut for 42418.....  |
| 1560c                      | 5585  | Tension (looper, right hand) Regulating Thumb Nut for 42418..... |
| 1560c                      | 5585  | Tension (needle thread) Regulating Thumb Nut for 44209.....      |
| 1655E                      | 5587  | Cloth Plate Hinge Screw Nut.....                                 |
| 1680c                      | 5578  | Feed Regulating Screw Stud Nut.....                              |
| 1728c                      | 7385  | Needle Clamping Nut.....   |
| 1991                       | 5574  | Roller, 1½ in. diam., with 634b and 1528J, for 42287.....        |
| 2102                       | 5585  | Tension (looper, left hand) Disc.....                            |
| 2102                       | 5585  | “ (looper, right hand) Disc.....                                 |
| 2102                       | 5585  | “ (needle thread) Disc.....                                      |
| 2103                       | 7386  | “ “ “ Spring.....  |
| 2749                       | 5582  | Feed Eccentric Cover Holder Thumb Screw Washer.....              |
| 2763                       | 5564  | Rock Shaft for 42143.....  |
| Nos. 2765 TO 2767 FOR 2768 |       |  |
| 2765                       | 5564  | Rock Shaft Knee Arm.....   |
| 2766                       | 5564  | “ “ “ “ Hub with 356c... ..                                      |
| 2767                       | 5564  | “ “ “ “ Plate with 356c.....                                     |
| 2768                       | —     | Rock Shaft Knee Arm complete for 42143, Nos. 2765 to 2767.....   |
| 2770                       | 5564  | Rock Shaft Stop Dog with 356c, for 42143                         |
| 4389                       | 5585  | Arm Dowel Pin.....   |
| 4718                       | 7393  | Machine Base Cushion (felt) for 42086...                         |
| 4822                       | 5566  | Wrench for 1547 (Accessories).....                               |
| 4879                       | 5566  | Chain Connecting Link for 4885.....                              |
| Nos. 4881 TO 4884 FOR 4885 |       |  |
| 4881                       | 5564  | Treadle.....   |

| NO.    | PLATE | NAME  |
|--------|-------|---|
| 4882   | 5566  | Treadle Shaft.....  |
| 4883   | 5566  | “ Spring.....   |
| 4884   | 5564  | “ Stand.....  |
| 4885   | 5564  | Treadle complete for 42283, Nos. 4879, 4881 to 4884 and two wood screws 1 in. No. 16..... |
| 6337   | 5564  | Rock Shaft Lifting Bracket with two 356c, for 42143.....                                  |
| 6439   | —     | Chain, 36 in. to 45 in., with 56864 and 56865, for 42283.....                             |
| 7071   | 7392  | Guide Screw Washer.....   |
| 7071   | 7392  | “ Smoothing Plate Screw Washer for 42238.....   |
| 7125   | 5564  | Rock Shaft Lifting Bracket Hook for 42143.....  |
| 8908   | 5566  | Wrench for 1520 and 1655 (Accessories)..  |
| 9842   | 7393  | Machine Base Thumb Screw Spring Washer (Accessories).....                                 |
| 10107  | 7385  | Needle Bar Thread Retainer Spring.....  |
| 10148  | 5585  | Tension (looper, right hand) Spring.....  |
| 12242  | 5564  | Rock Shaft Hanger with two wood screws 1 in. No. 10, for 42143.....                       |
| 14063  | 7393  | Machine Base Thumb Screw Spring (Accessories).....  |
| 17547  | 5585  | Tension (looper, right hand) Thread Guide   |
| 17886  | 7390  | Lifting Lever Pitman.....   |
| 19045  | 5585  | Frame Side Cover (left) Handle for 42193  |
| 25033  | 7393  | Lifting Lever Spring for 42283 and 42284  |
| 27739  | 7234  | Thread Unwinder Thread Cone (wood) for large cones, for 225397.....                       |
| 29599  | 7386  | Looper (right hand) and Spreader Lever Connection Oil Tube Packing (felt) for 42106.....  |
| 38534  | 7385  | Needle Bar (hollow).....  |
| 39541  | 7392  | Presser Foot Screw Washer for 81-12 Machine.....  |
| 39541  | 7392  | Roller Presser Screw Washer for 81-14 Machine.....  |
| 40247  | 7385  | Needle Bar Connecting Link Hinge Pin..  |
| 42001  | 7390  | Balance Wheel, 2¼ in. pulley, with 424c and 1354c.....                                    |
| 42005  | 7390  | Cloth Plate Lock Spring for 42230.....  |
| 42007  | 5578  | Feed Bar Hinge Pin.....   |
| 42008  | 5578  | “ Connecting Rod with 42009 and two 1057E.....  |
| *42009 | —     | Feed Connecting Rod Cap for 42008.....  |
| 42011  | 5578  | “ Eccentric with two 453c.....  |

| NO.    | PLATE | NAME   |
|--------|-------|--|
| 42012  | 5578  | Feed Lifting Eccentric with two 462c....   |
| 42013  | 5578  | “ “ “ Connection.....  |
| 42014  | 5579  | “ Regulator with 233b and two 1259c  |
| 42015  | 5578  | “ “ Connection with 1012E...   |
| 42016  | 5579  | “ “ Hinge Stud.....  |
| 42019  | 5588  | “ Rock Shaft for 42020.....  |
| 42020  | —     | Feed Rock Shaft complete, Nos. 42019<br>and 42021.....                                       |
| 42021  | 5578  | Feed Rock Shaft Crank with 157E, for<br>42020.....   |
| 42023  | 7390  | Frame Rotary Shaft for 81-14 Machine..   |
| 42024  | 7390  | “ “ “ Bushing (front).....   |
| 42025  | 5579  | “ “ “ Crank with 1259c<br>and 1375c, for 81-14 Machine.....                                  |
| 42026  | 7390  | Frame Rotary Shaft Flanged Bushing<br>(back) with 54967.....                                 |
| 42028  | 7390  | Frame Side Cover (right) hinged.....   |
| 42045  | 5582  | Presser Lever Hinge Stud.....  |
| 42051  | 5579  | Looper (left hand) Lever with 209H.....  |
| 42052  | 5579  | “ “ “ “ Connecting Link  |
| 42053  | 5579  | “ “ “ “ Hinge Stud.....  |
| 42055  | 7385  | Needle Bar Connecting Link.....  |
| 42057  | 7385  | “ “ “ Rod with 42059,<br>42076 and four 896E.....  |
| *42059 | —     | Looper (right hand) and Spreader Lever<br>Connection Cap (upper) for 42075.....              |
| *42059 | —     | Needle Bar Connecting Rod Cap (upper)<br>for 42057.....                                      |
| 42066  | 7385  | Needle Guard.....  |
| 42071  | 7386  | Presser Lever Spring.....  |
| 42072  | 7392  | Spreader for 81-14 Machine.....  |
| 42073  | 5582  | Looper (right hand) and Spreader Lever<br>with 1259c.....                                    |
| 42074  | 5582  | Looper (right hand) and Spreader Lever<br>Ball Stud for 81-14 Machine.....                   |
| 42074  | 7385  | Needle Bar Crank (back) Ball Stud.....   |
| 42075  | 5582  | Looper (right hand) and Spreader Lever<br>Connection with 42059, 42076 and four<br>896E..... |
| *42076 | —     | Looper (right hand) and Spreader Lever<br>Connection Cap (lower) for 42075.....              |
| *42076 | —     | Needle Bar Connecting Rod Cap (lower)<br>42057.....  |
| 42077  | 7386  | Looper (right hand) and Spreader Lever<br>Connection Guide.....                              |
| 42077  | 7386  | Needle Bar Connecting Rod Guide.....   |

| NO.   | PLATE | NAME   |
|-------|-------|--|
| 42078 | 7386  | Looper (right hand) and Spreader Lever<br>Hinge Pin.....   |
| 42079 | 5579  | Feed Rock Shaft Hinge Pin Bushing.....   |
| 42079 | 5579  | Looper (right hand) and Spreader Lever<br>Hinge Pin Bushing.....                                       |
| 42082 | 5585  | Tension (needle thread) Thread Guide...  |
| 42084 | 5585  | Thread (looper, left hand) Tube.....   |
| 42086 | 5564  | Machine Base with three wood screws 1¼<br>in. No. 12 and four each 935b, 4718,<br>42088 and 66707..... |
| 42088 | 7393  | Machine Cushion (felt) for 42086.....  |
| 42089 | 5566  | Wrench for 1374 and 1629 (Accessories)..   |
| 42090 | 5566  | Thread Wire (Accessories).....   |
| 42093 | 5585  | Thread (looper, right hand) Staple.....  |
| 42094 | 7390  | Feed Eccentric Cover.....  |
| 42096 | 5585  | Thread (needle) Eyelet.....  |
| 42098 | 5579  | Feed Rock Shaft Hinge Pin.....   |
| 42102 | 5582  | “ Eccentric Cover Holder.....  |
| 42103 | 7385  | Needle Bar Crank (back) with 1258c and<br>two 1259c.....   |
| 42104 | 7385  | Needle Bar Crank (front) with 904c,<br>1258c and 1259c.....  |
| 42105 | 7385  | Needle Bar Crank Shaft.....  |
| 42106 | 7386  | Looper (right hand) and Spreader Lever<br>Connection Oil Tube and Bracket with<br>29599.....           |
| 42114 | 5582  | Looper (left hand) for 81-14 Machine....   |
| 42115 | 7385  | Needle Bar Thread Retainer Bracket....   |
| 42121 | 7393  | Tension (looper, left hand) Spring.....  |
| 42122 | 7388  | Thread (looper, left hand) Nipper Spring<br>(lower) for 81-12 Machine.....                             |
| 42123 | 7388  | Thread (looper, left hand) Nipper Spring<br>(upper) for 81-12 Machine.....                             |
| 42127 | 5585  | Thread (looper, right hand) Take-up....  |
| 42128 | 5588  | “ (needle) Take-up.....  |
| 42143 | 5564  | Rock Shaft complete for 42284, Nos.<br>2763, 2768, 6337, 7125 and two each<br>2770 and 12242.....      |
| 42166 | 5582  | Looper (right hand) for 81-14 Machine..  |
| 42191 | 7391  | Feed Dog, 21 teeth (16 teeth to the inch)<br>for 81-12 Machine.....                                    |
| 42192 | 7386  | Frame Side Cover (right) Lock Spring...  |
| 42193 | 5588  | “ “ “ (left) with 19045.....   |
| 42195 | 5588  | Needle Guard Holder.....   |
| 42205 | 5588  | Feed Bar with 1253c.....   |
| 42210 | 7390  | Frame Rotary Shaft for 81-12 Machine..   |

| NO.                                   | PLATE | NAME  |
|---------------------------------------|-------|---|
| 42211                                 | 7386  | Frame Rotary Crank with 1036c and 1375c, for 81-12 Machine.....   |
| 42219                                 | 7386  | Looper (left hand) for 81-12 Machine....  |
| 42221                                 | 7386  | “ (right hand) and Spreader Lever<br>Ball Stud for 81-12 Machine.....   |
| 42229                                 | 5528  | Cloth Plate for 42230.....  |
| 42230                                 | —     | Cloth Plate complete, Nos. 42005, 42229, 42231, two 236c and three 229E.....  |
| 42231                                 | 5528  | Cloth Plate Extension for 42230.....  |
| 42235                                 | 7383  | Guide Body for 42238.....   |
| 42236                                 | 7383  | “ Finger for 42238.....   |
| 42237                                 | 7383  | “ Smoothing Plate for 42238.....  |
| 42238                                 | 7383  | Guide complete, for stitching blankets, carpets, rugs, etc., for 81-12 Machine, Nos. 203F, 7071, 42235 to 42237 and two 50365D..... |
| 42239                                 | 7388  | Looper (right hand) for 81-12 Machine...  |
| 42240                                 | 7383  | Presser Foot complete, for stitching blankets, carpets, rugs, etc., for 81-12 Machine, Nos. 233D, 42241 and 42489.                  |
| 42241                                 | 7383  | Presser Foot Chaining-off Finger for 42240<br>Nos. 42242 TO 42244 FOR 81-12 MACHINE   |
| 42242                                 | 7388  | Thread (looper, left hand) Eyelet.....  |
| 42243                                 | 7388  | “ “ “ “ Pull-off.....   |
| 42244                                 | 7388  | “ “ “ “ “ Eyelet  |
| 42245                                 | 7388  | “ (looper, right hand) Take-up, for stitching around curves on automobile rugs, etc., for 81-12 Machine.....                        |
| 42250                                 | 7386  | Spreader for 81-12 Machine.....   |
| *42252                                | —     | Arm with two each 462c and 42253, obsolete.....   |
| 42253                                 | 7385  | Needle Bar Bushing for 42252 and 42485  |
| *42254                                | —     | Frame.....  |
| 42255                                 | 7390  | “ Top Cover.....  |
| 42256                                 | 7392  | Guide for 81-12 Machine.....  |
| 42257                                 | 7391  | Presser Foot with 233D and 42258, for 81-12 Machine.....  |
| 42258                                 | 7391  | Presser Foot Chaining-off Finger for 42257  |
| 42259                                 | 7392  | “ Lever.....  |
| 42260                                 | 7391  | Throat Plate for 42191.....   |
| 42261                                 | 7392  | “ “ Extension.....  |
| Nos. 42273 TO 42280 FOR 81-14 MACHINE |       |   |
| 42273                                 | 7391  | Feed Dog, 16 teeth (16 teeth to the inch)   |
| 42274                                 | 7392  | Guide.....  |
| 42275                                 | 5574  | Roller Arm for 42287.....   |

| NO.    | PLATE | NAME  |
|--------|-------|---|
| 42277  | 5574  | Roller Arm Lock Spring for 42287.....   |
| 42280  | 7391  | Throat Plate for 42273.....   |
| 42281  | 7393  | Lifting Lever for 42283 and 42284.....  |
| 42282  | 7393  | “ “ Bracket for 42283 and 42284.....  |
| 42283  | —     | Foot Lifter complete, Nos. 440F, 1288D, 1301D, 1547J, 4885, 6439, 25033, 42281 and 42282.....                                     |
| 42284  | —     | Knee Lifter complete, Nos. 440F, 1288D, 1301D, 1547J, 17886, 25033, 42143, 42281 and 42282.....                                   |
| 42285  | 5574  | Roller Arm Bracket for 42287.....   |
| 42286  | 5574  | “ Presser Finger for 42287.....   |
| 42287  | 5574  | Roller Presser complete, 1½ in. roller, for 81-14 Machine, Nos. 227D, 447F, 646D, 1547J, 1991, 42275, 42277, 42285 and 42286..... |
| 42290  | 5578  | Feed Regulating Screw Stud Washer....   |
| 42291  | 7385  | Needle Bar Connecting Bracket with 223F and 1057D.....  |
| 42367  | 5585  | Frame Rotary Shaft Front Bearing Oil Pad (braided cotton).....  |
| 42418  | —     | Tension (looper, left hand) Screw Stud 828c with 1560c.....   |
| 42418  | —     | Tension (looper, right hand) Screw Stud 828c with 1560c.....  |
| 42447  | 7405  | Feed Dog, 14 teeth (10 teeth to the inch) for stitching around curves on automobile rugs, etc., for 81-12 Machine...              |
| 42448  | 7405  | Throat Plate for 42447.....   |
| 42455  | 7388  | Guide, for stitching around curves on automobile rugs, for 81-12 Machine...   |
| 42456  | 7388  | Looper Guard, for stitching around curves on automobile rugs, for 81-12 Machine   |
| 42457  | 7388  | Presser Foot Chaining-off Finger for 42458  |
| 42458  | 7388  | Presser Foot complete, for stitching around curves on automobile rugs, for 81-12 Machine, Nos. 233D, 42457 and 42489.             |
| 42483  | 7396  | Needle Bar Thread Retainer Disc.....  |
| *42485 | —     | Arm with two each 462c, 624c, 42253 and 42487.....  |
| 42487  | 7396  | Needle Bar Crank Shaft Bushing for 42485  |
| 42489  | 7388  | Presser Foot Body for 42240 and 42458..   |
| 44209  | —     | Tension (needle thread) Screw Stud 916c with 1560c.....   |
| 50365  | 7388  | Guide Finger Screw for 42238.....   |
| 50562c | 7396  | Looper (left hand) Lever Connecting Link Hinge Screw.....   |

| NO.     | PLATE | NAME   |
|---------|-------|--|
| 54967   | 5585  | Frame Rotary Shaft Flanged Bushing (back) Oil Pad (braided cotton) for 42026.....  |
| 56864   | 5566  | Chain Hook (large) for 6439.....   |
| 56865   | 7396  | “ “ (small) for 6439.....  |
| 66707   | 7396  | Machine Cushion Screw Washer for 42086   |
| 120341  | 5566  | Tweezers, curved (Accessories).....  |
| 120344  | 5566  | Oiler (copper plated) with 120345 (Accessories).....   |
| 120345  | 5566  | Oiler Spout, 5 in. long, for 120344.....   |
| 120440  | 5566  | Screw Driver (Accessories).....  |
| 200383c | 7396  | Thread Unwinder Spool Rest Rod Set Screw for 202490.....   |
| 201018c | 7396  | Thread Unwinder Spool Rest Set Screw for 225389 and 225395.....  |
| 201696j | 7396  | Thread Unwinder Thread Guide Lock Nut for 225397.....  |
| 202490  | 7165  | Thread Unwinder Spool Stand with 200383c, for 225397.....  |
| 225388  | 7165  | Thread Unwinder Spool Rest Rod for 225397.....   |
| 225389  | 7165  | Thread Unwinder Spool Rest (for one spool) with 201018c, for 225397.....   |
| 225390  | 7234  | Thread Unwinder Thread Cone Holder, for inverted cones, for 225397.....  |
| 225391  | 7165  | Thread Unwinder Thread Guide for 225397.....   |
| 225392  | 7165  | Thread Unwinder Thread Guide Rod with 208E and 225393, for 225397.....   |
| 225393  | 7396  | Thread Unwinder Thread Guide Rod Washer for 225392.....  |
| 225395  | 7165  | Thread Unwinder Spool Rest (for two spools) with 201018c, for 225397.....  |
| 225397  | 7165  | Thread Unwinder complete, (for three spools) Nos. 201696j, 202490, 225388, 225389, 225392, 225395 three 225391 and wood screws $\frac{7}{8}$ in. No. 12..... |

**SINGER** Needles should be used  
in **SINGER** Machines  
These Needles and their Containers  
are marked with the  
Company's Trade Mark "SIMANCO."<sup>\*\*1</sup>

Needles in Containers marked  
"FOR SINGER MACHINES"  
are NOT **SINGER** made needles. 2

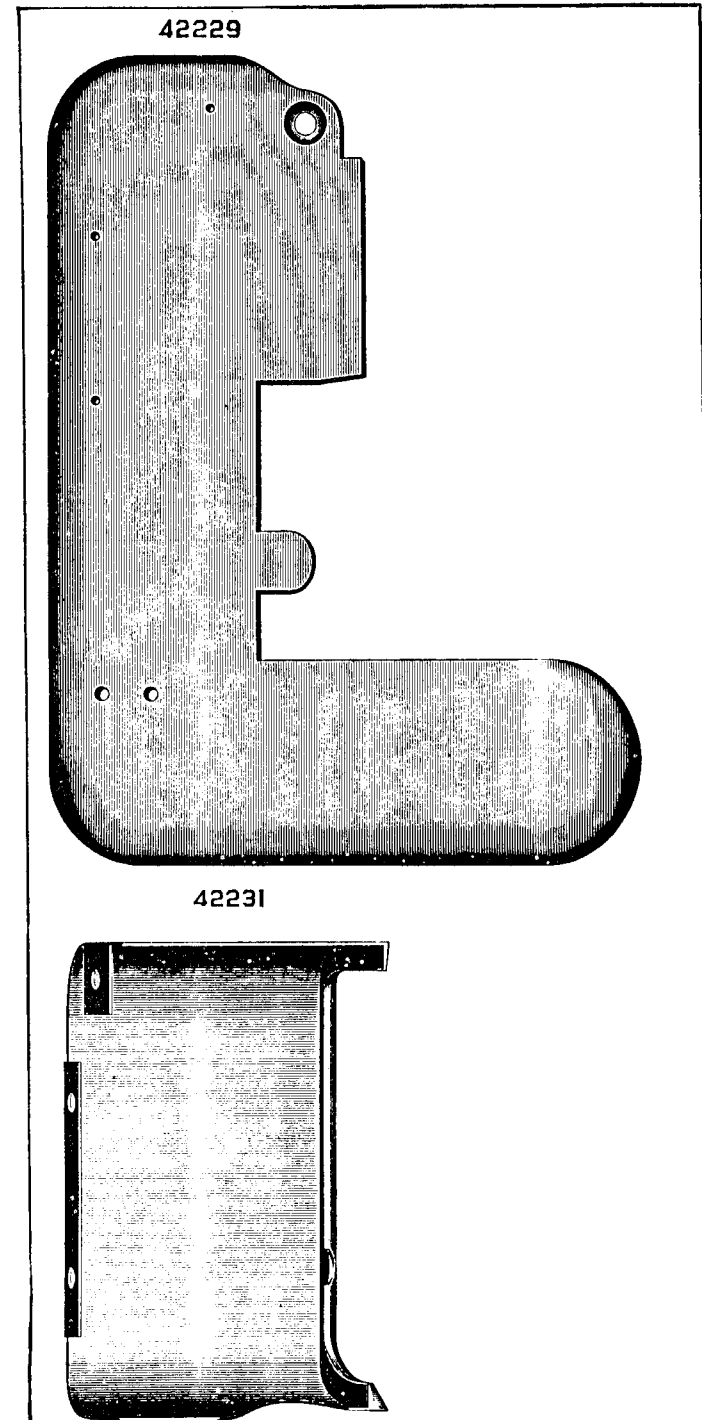




PLATE 5563—FULL SIZE

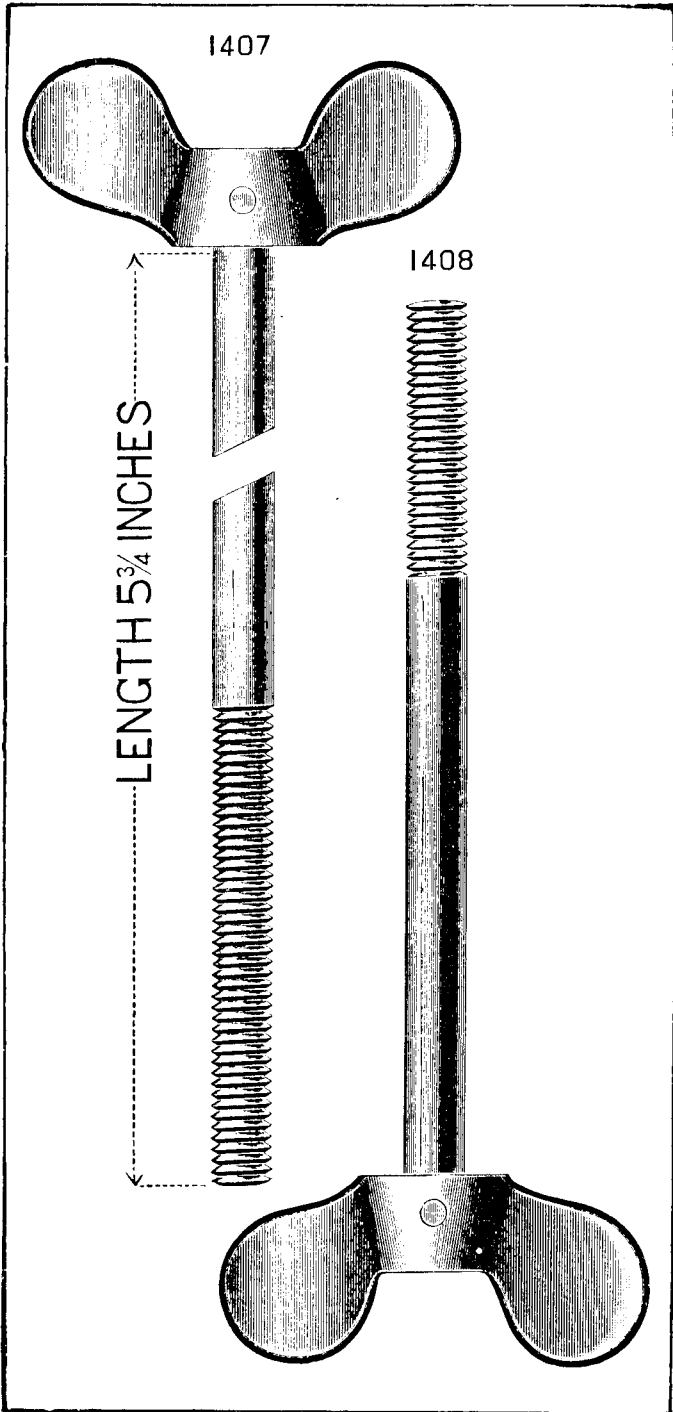


PLATE 5564—ONE-FOURTH SIZE

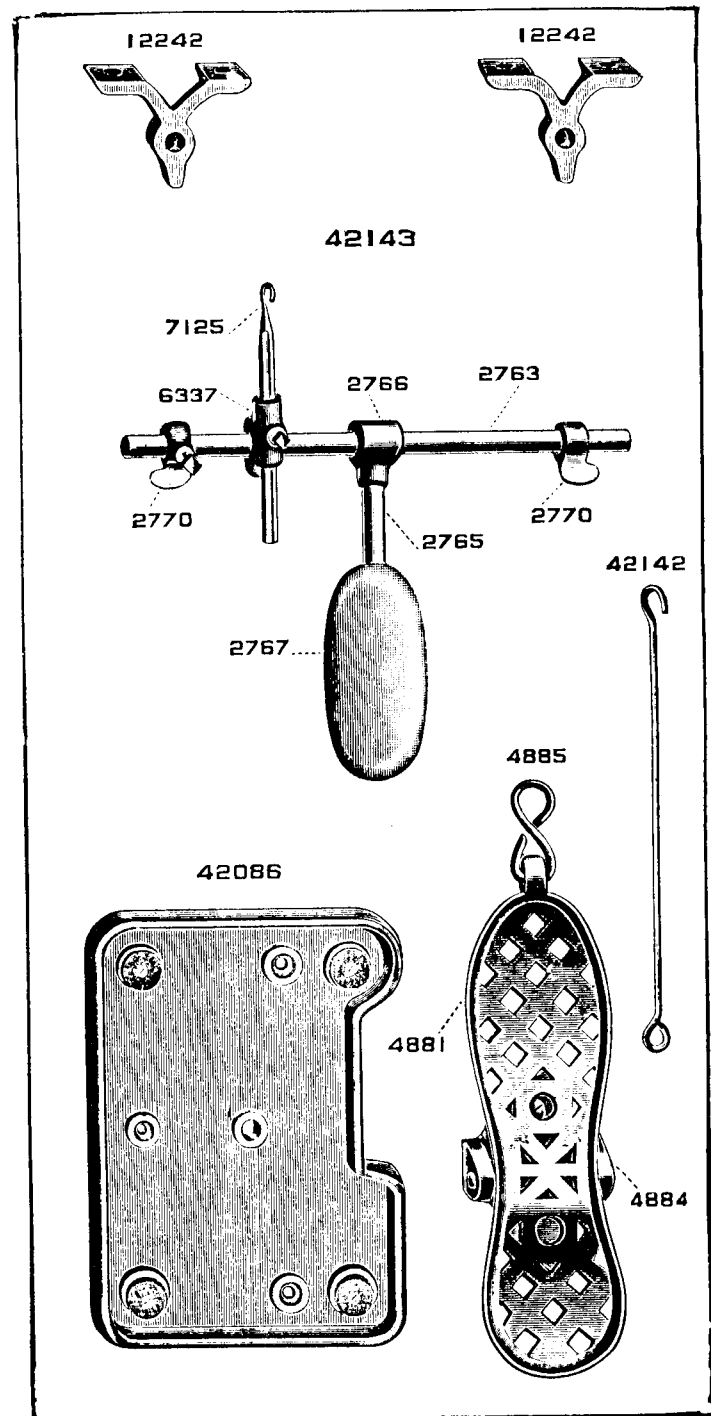


PLATE 5566—ONE-HALF SIZE

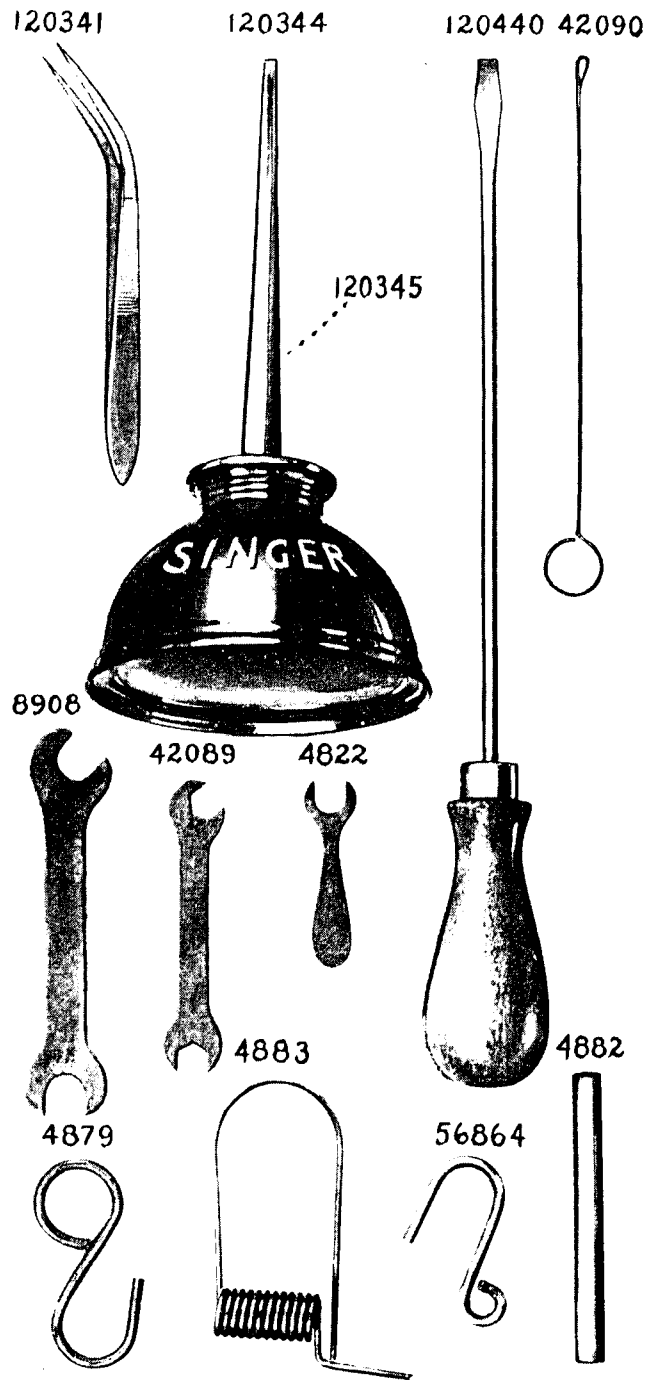


PLATE 5574—FULL SIZE

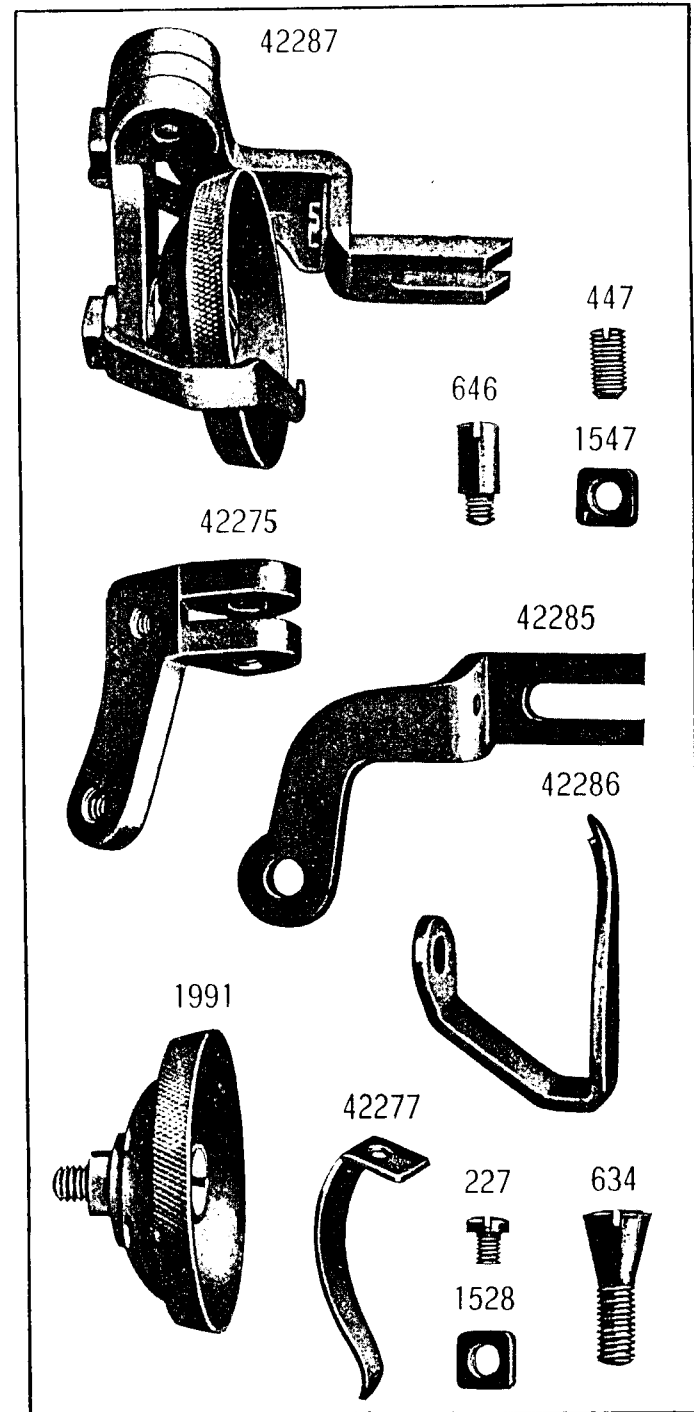


PLATE 5578—FULL SIZE

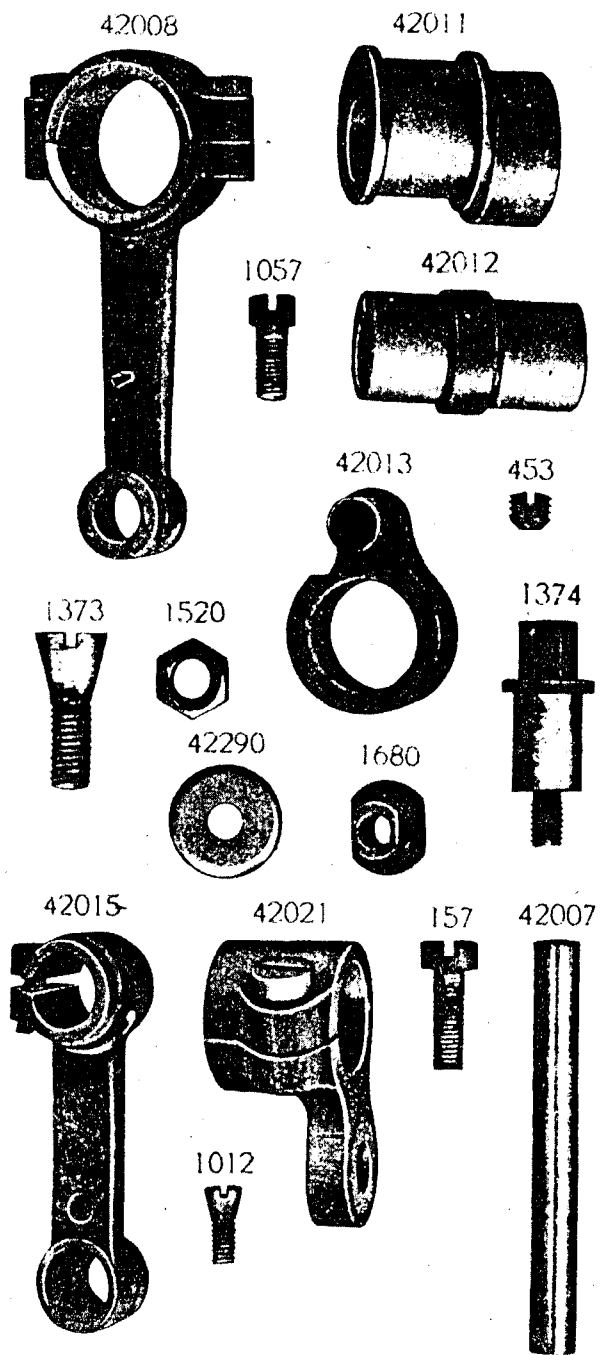


PLATE 5579—FULL SIZE

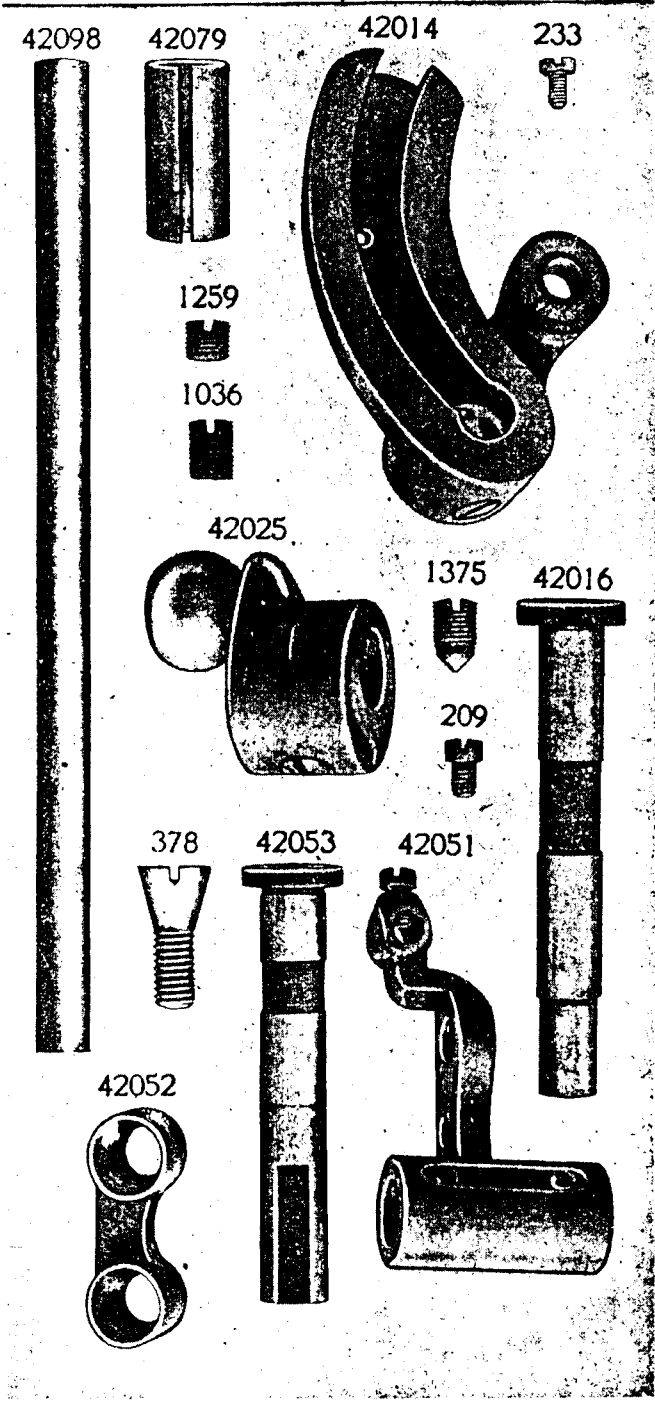


PLATE 5582-FULL SIZE

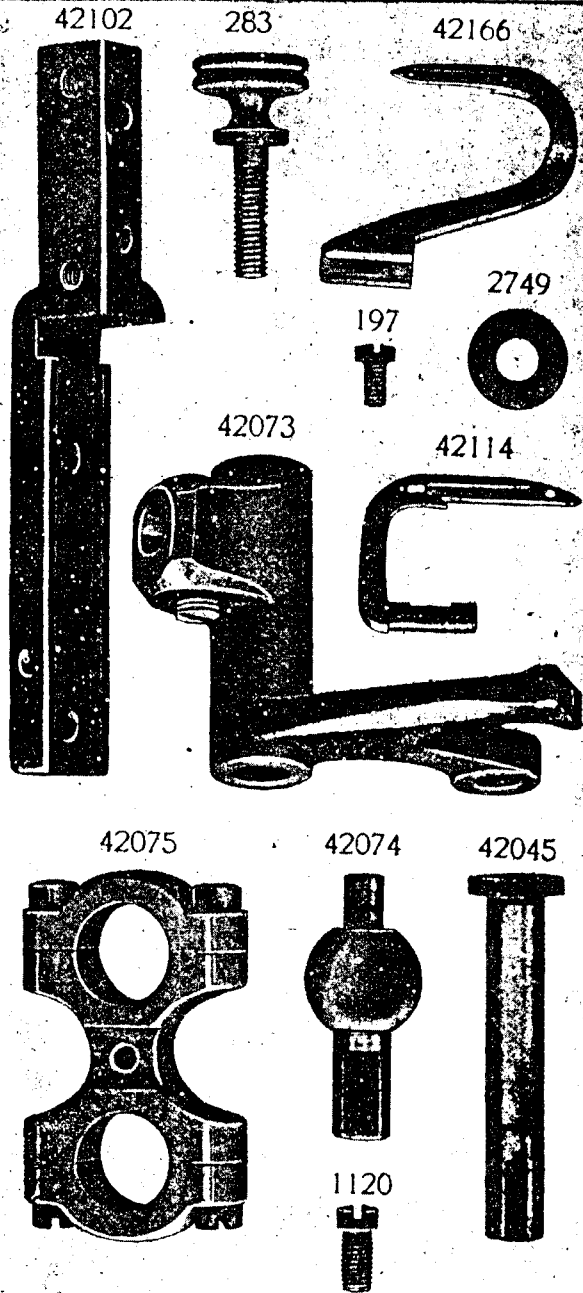


PLATE 5585-FULL SIZE

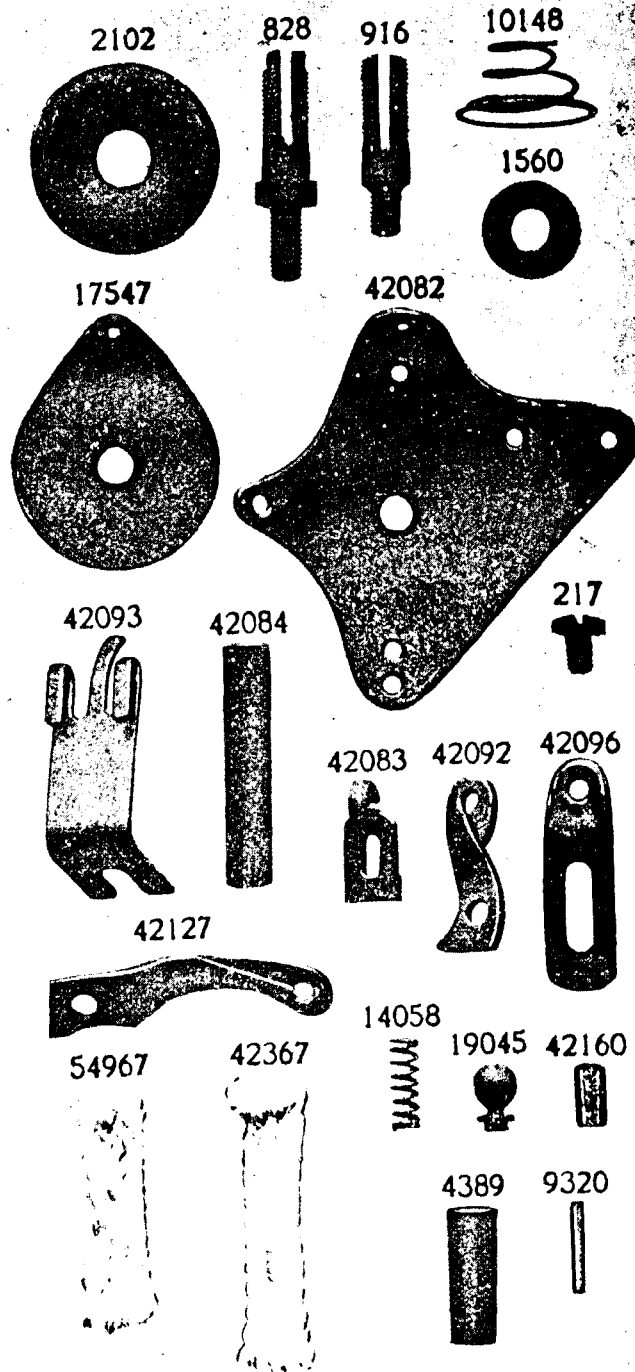


PLATE 5587—FULL SIZE

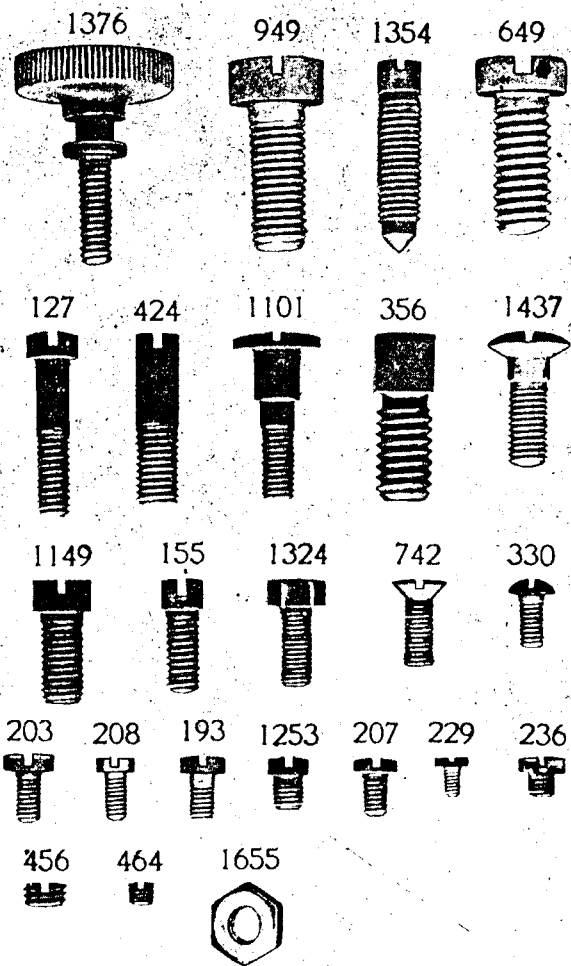


PLATE 5588—FULL SIZE

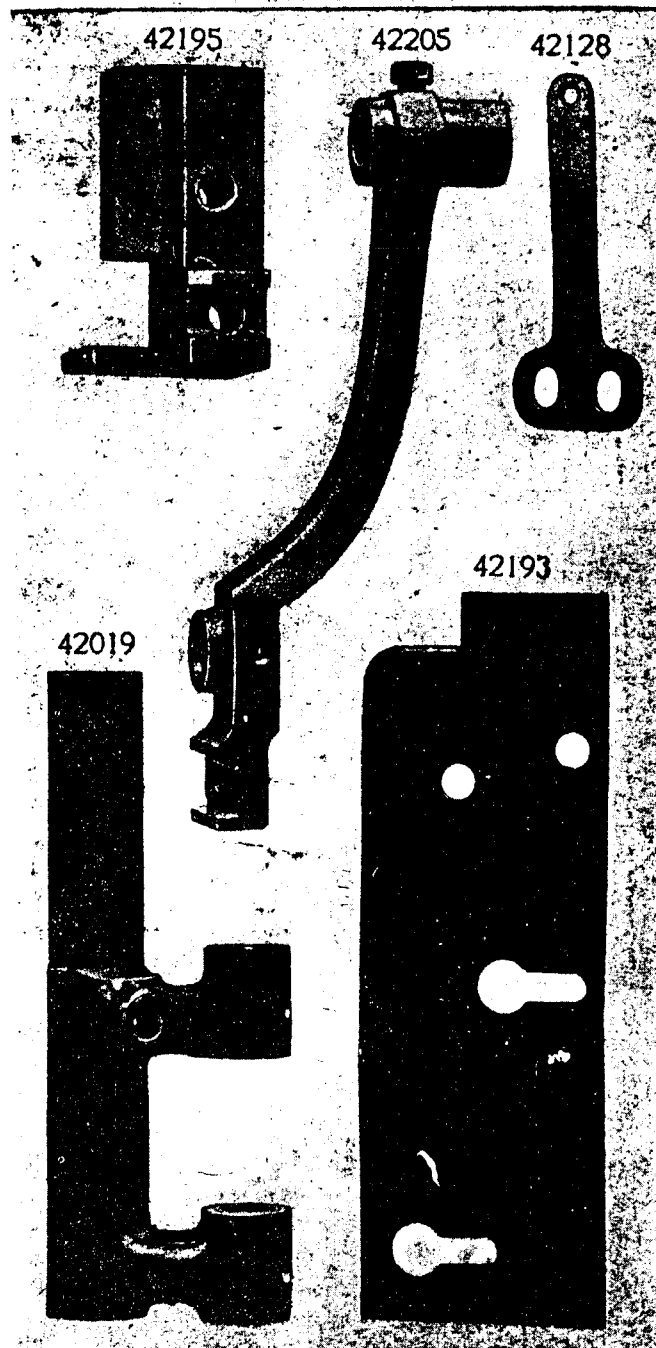


PLATE 7165—ONE-FOURTH SIZE

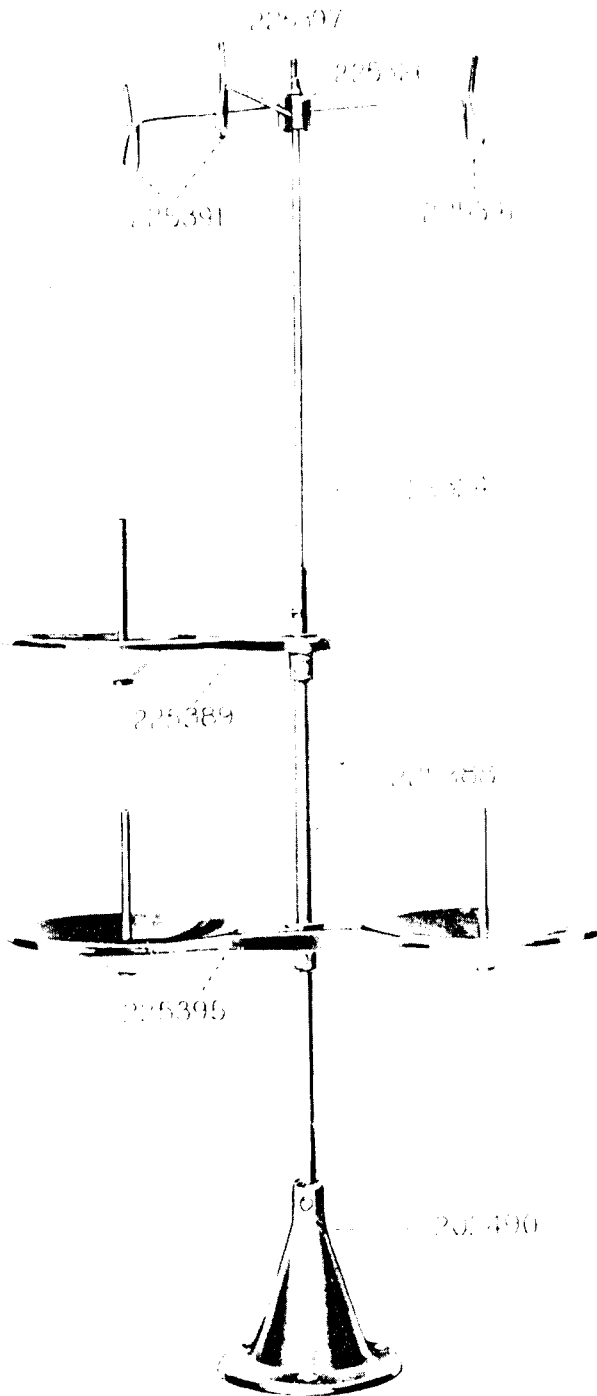


PLATE 7234—ONE-HALF SIZE

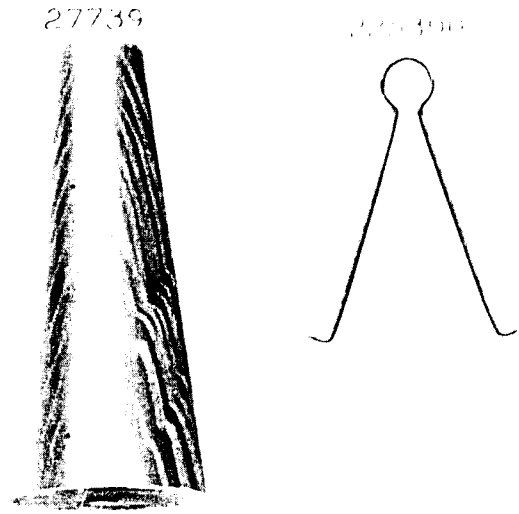


PLATE 7383—FULL SIZE

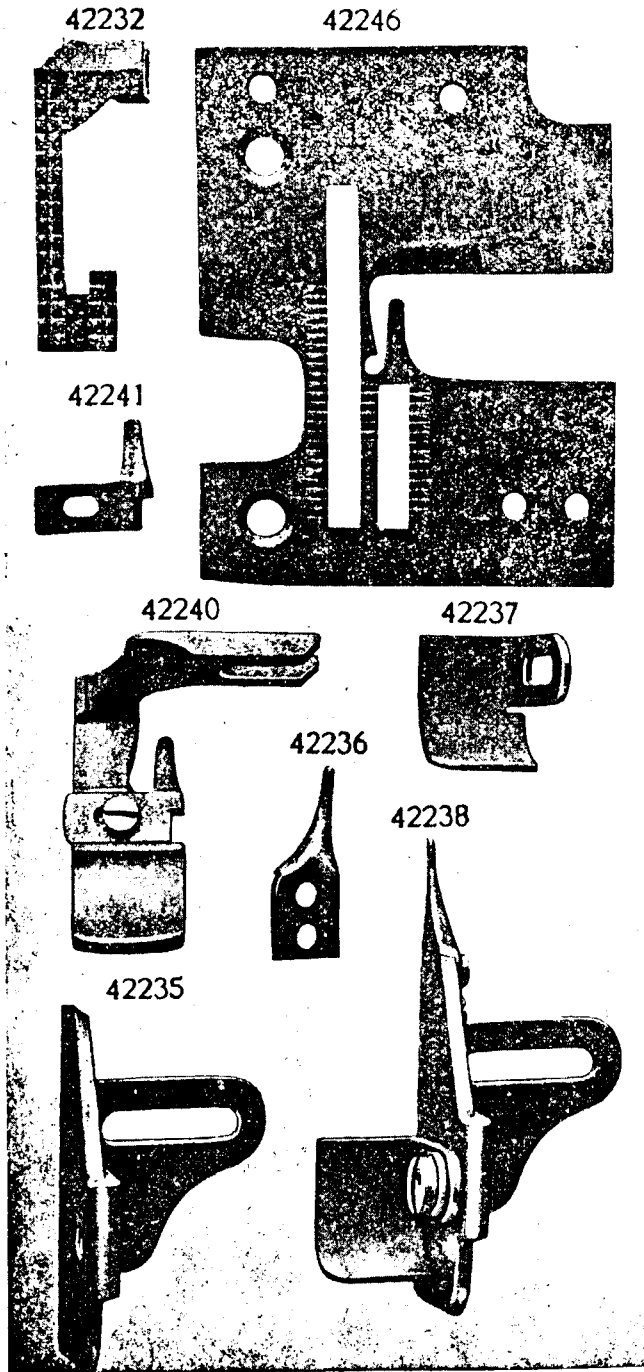


PLATE 7385—FULL SIZE

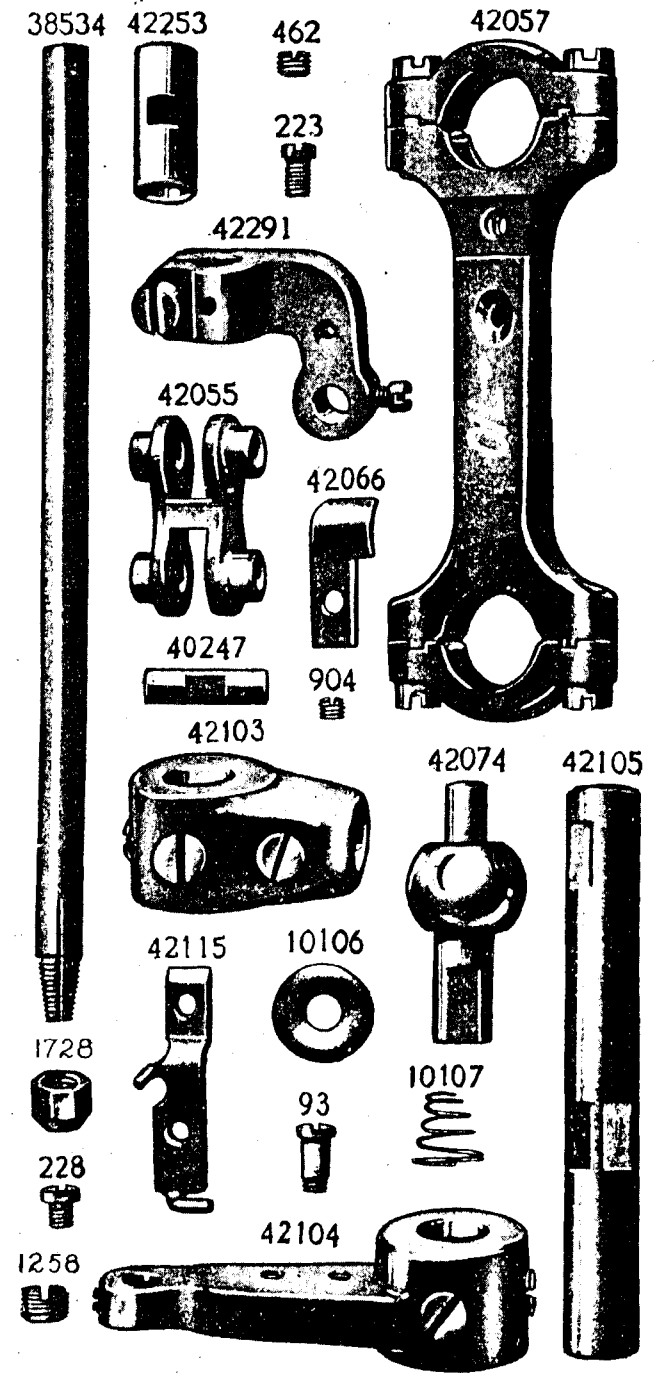


PLATE 7386—FULL SIZE

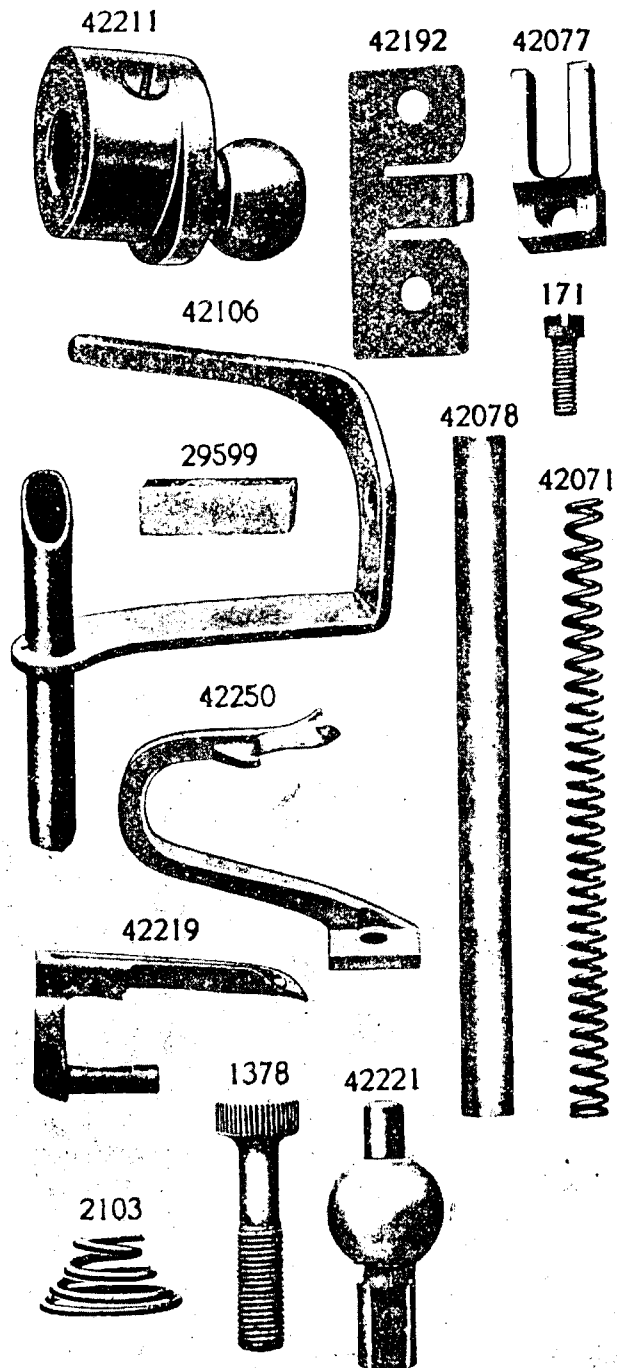


PLATE 7388—FULL SIZE

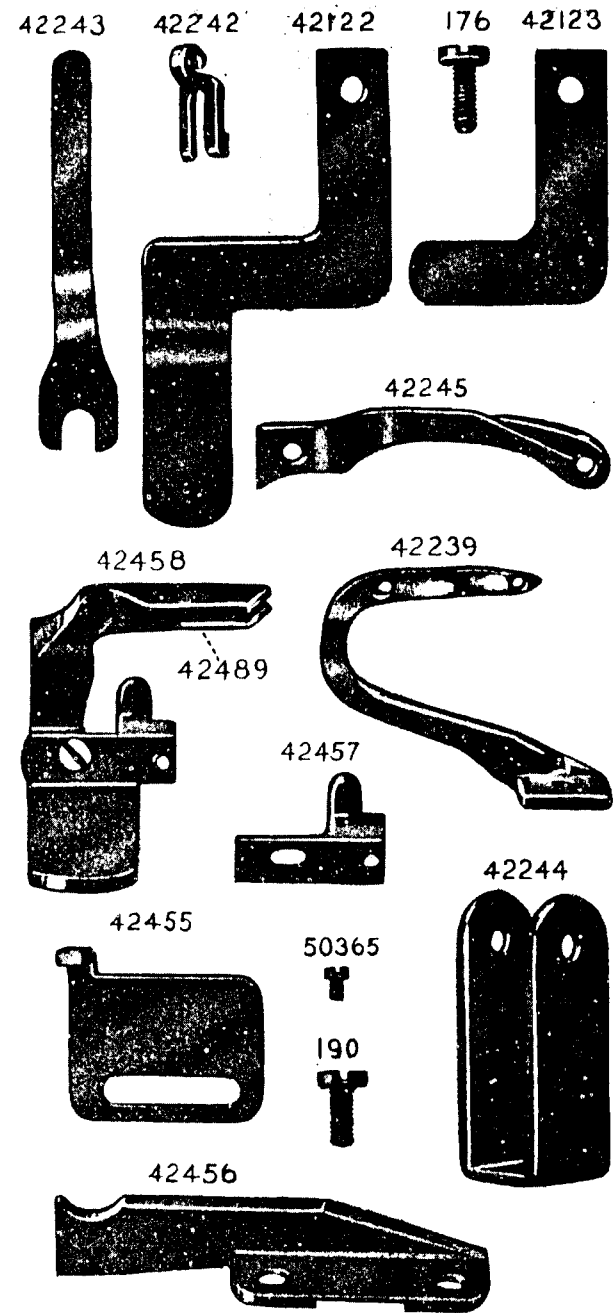




PLATE 7390—ONE-HALF SIZE

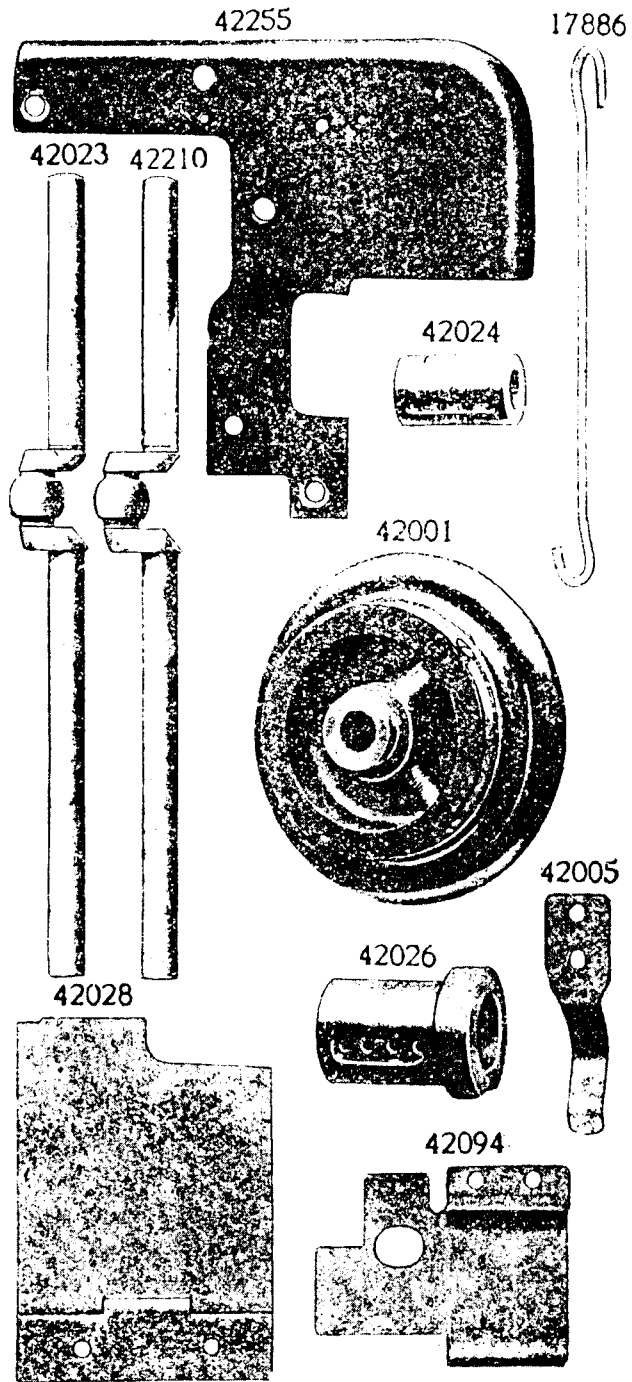


PLATE 7391—FULL SIZE

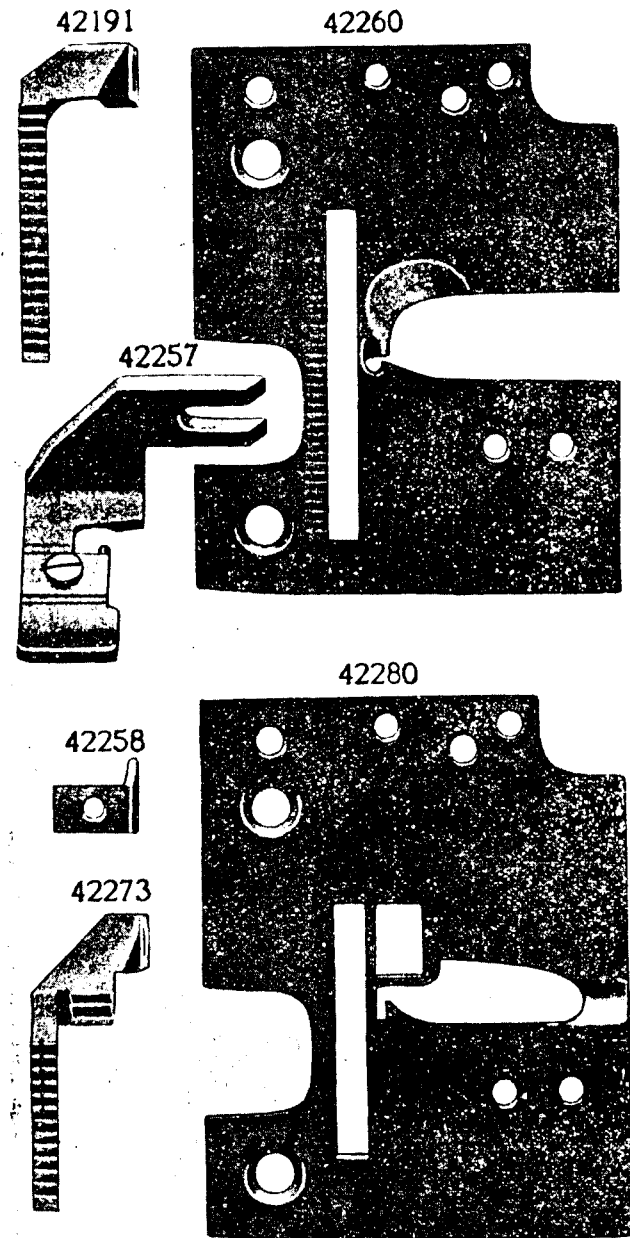


PLATE 7392—FULL SIZE

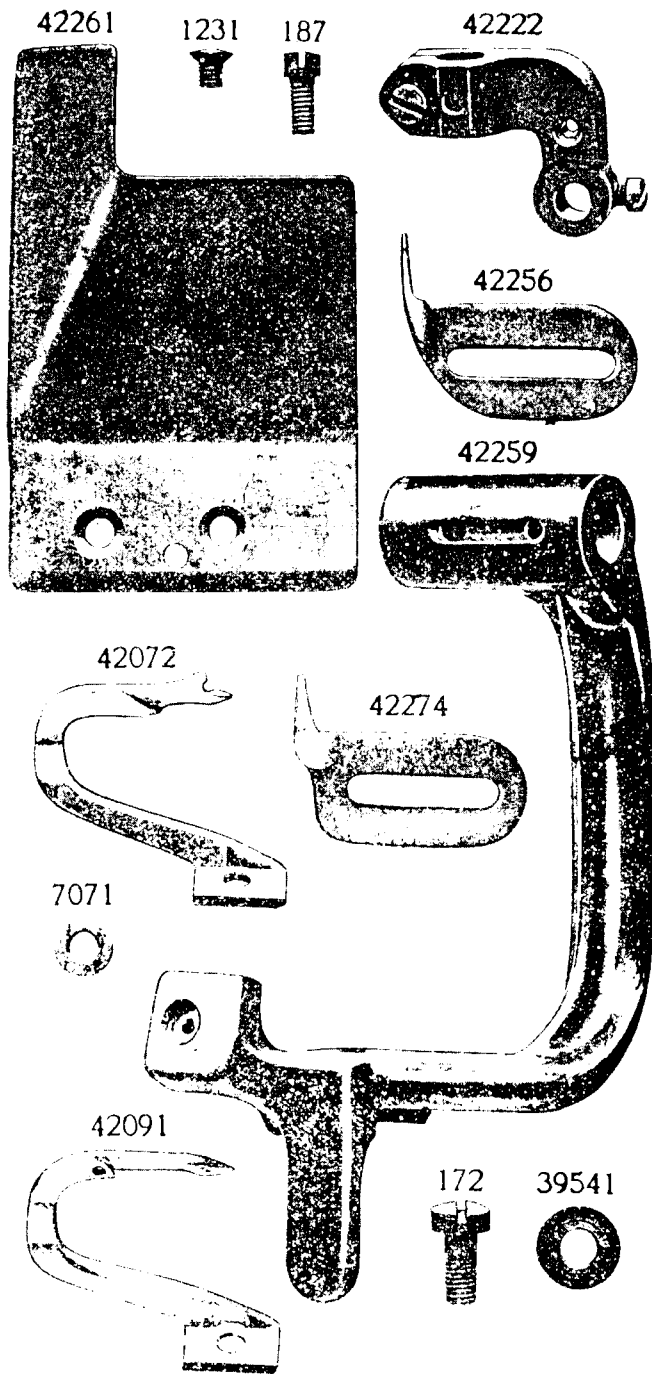


PLATE 7393—FULL SIZE

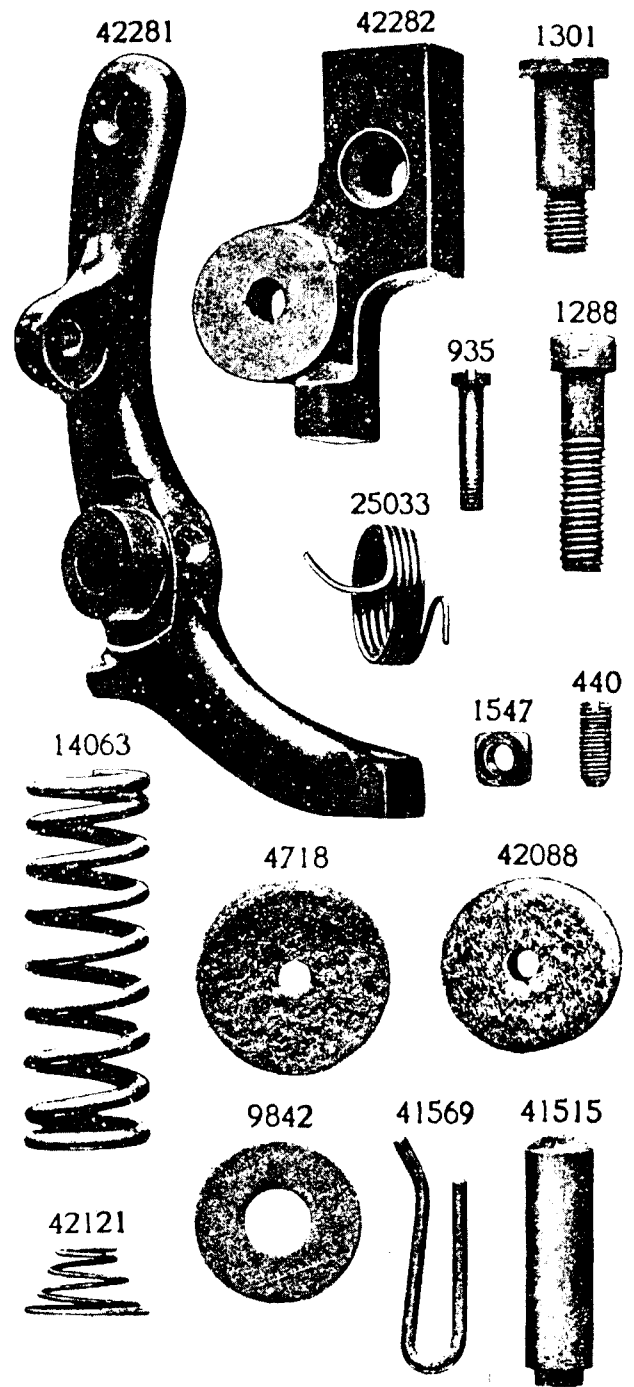


PLATE 7396—FULL SIZE

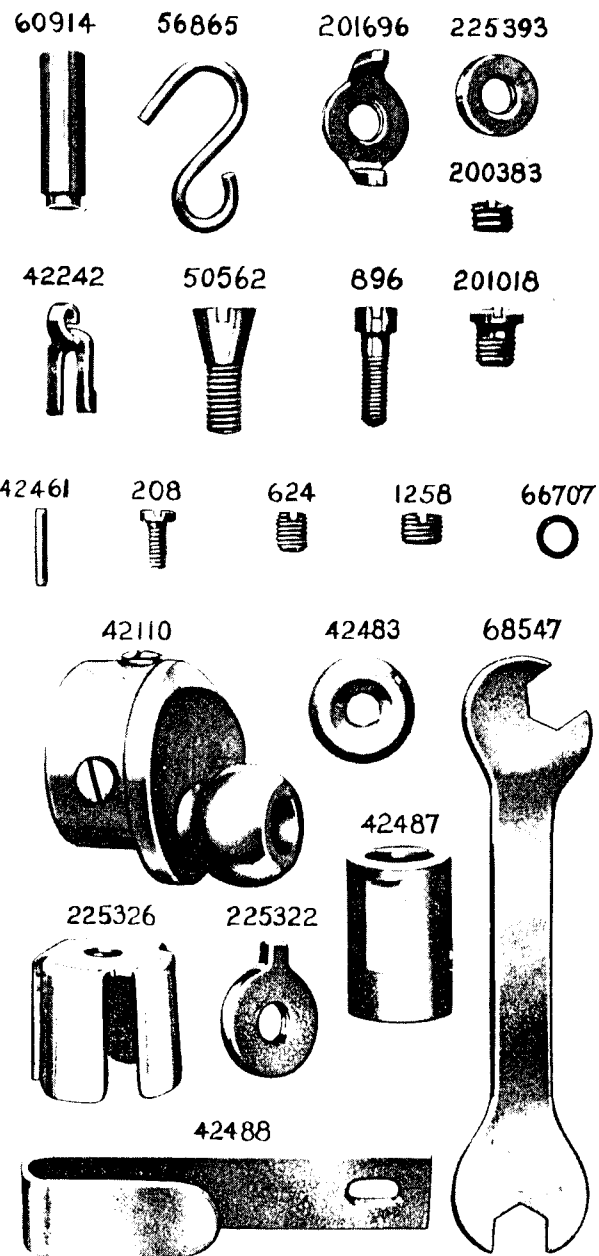


PLATE 7405—FULL SIZE

