

FORM 8866
SUPERSEDES FORM 7523
AUGUST, 1922

LIST
OF
PARTS



MACHINES
Nos. 63-1 to 63-6

THE SINGER MANUFACTURING COMPANY

COPYRIGHT, U. S. A., 1922, BY THE SINGER MANUFACTURING COMPANY
ALL RIGHTS RESERVED FOR ALL COUNTRIES

INDEX

	PAGE
ACCESSORIES.....	21
BOBBIN WINDER.....	24
FELLER (FOOT).....	22
FOOT LIFTER PARTS.....	24
GUIDES.....	22
HEMMERS.....	22
KNEE LIFTER PARTS FOR POWER TABLE.....	25
“ “ “ “ STAND.....	26
MACHINE No. 63-1.....	7
“ “ 63-2.....	13
“ “ 63-3.....	13
“ “ 63-4.....	15
“ “ 63-5.....	20
“ “ 63-6.....	21
NUMERICAL LIST OF PARTS.....	31
OBSOLETE PARTS.....	28
PRESSER FEET.....	23
“ “ (GLASS PLATE).....	23
STAND.....	27
THREAD UNWINDER.....	28

INSTRUCTIONS FOR ORDERING

In ordering from this list, use ONLY the PART number in the FIRST column.

The number stamped on a Sewing Machine part is in every case the number of the single part only.

Every combination of parts sent out as such has its specific number, which, although not stamped on the parts, must be used when ordering the combination.

Each number always indicates the SAME PART in whatever list it appears, or for whatever machine.

The letters after some of the numbers indicate the style of finish only, as follows:

- A. Hardened, Polished and Plated.
- B. Polished and Plated.
- C. Hardened only.
- D. Polished only.
- E. Soft, not Polished.
- F. Hardened and Polished.
- G.
- H. Blued.
- J. Plated only.
- K. Hardened and Plated.
- L. Brass or Gilt
- M. Oxidized.
- P. Japanned.
- R. Parkerized.

These letters MUST BE USED when they appear in the list, and AFTER the number as in the list.

In this series

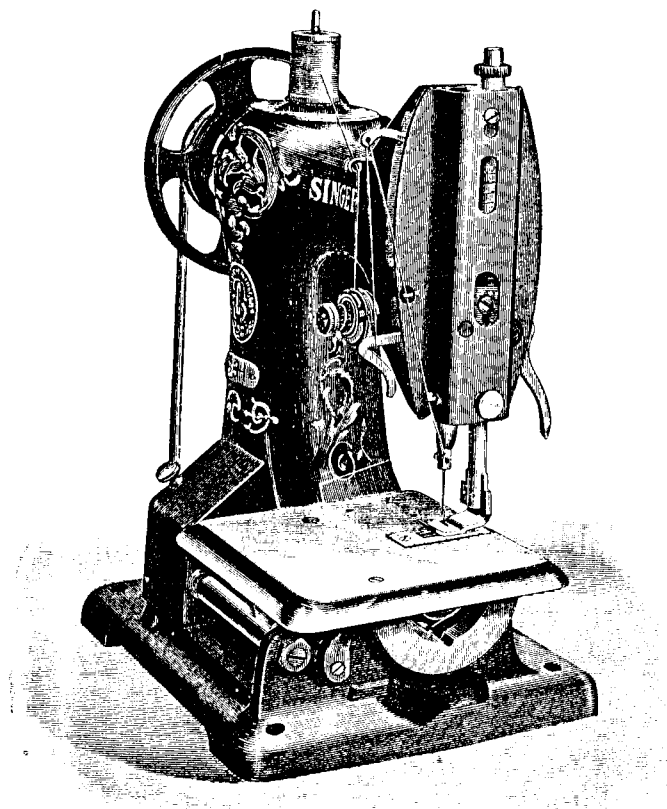
- 1 to 1500 and 50001 to 51500 are Screw Numbers.
- 1501 to 1800 are Nut Numbers.
- 1801 to 2000 are Roller Numbers.
- 2001 to 50000 and 52001 and upward are numbers of Machine Parts.

The figures in the second column refer only to the plates illustrating the parts, and are NOT TO BE USED in ordering.

Parts marked with an asterisk (*) are furnished only when repairs are made at factory.

LIST OF PARTS COMPLETE

FOR



MACHINE No. 63-1

FOR RUNNING AND BANDING COLLARS AND CUFFS.
ADJUSTABLE PRESSER FOOT, DROP FEED
(OBSOLETE)

NO.	PLATE	NAME
*21355	---	Arm, upper and lower (solid)
11119	1979	" Oil Tube with 29599, for oiling 21271 and 21272

NO.	PLATE	NAME
29599	1996	Arm Oil Tube Packing (felt).....
21356	1997	" Shaft.....
21205	1975	" " Bushing (front).....
448c	1979	" " " " Set Screw.....
21206	1975	" " Flanged Bushing (back).....
978f	1989	" " " " " Set Screw.....
144d	1989	" Shaft Screw.....
21207	1976	" Side Cap.....
219b	1989	" " " Screw.....
21349	1997	" " Cover.....
146b	1996	" " " Screw.....
21210	—	" Top Cover.....
21211	1976	Arm Top Cover complete, Nos. 21210, 29507 and 29601.....
21202	1988	Arm Top Cover Friction Washer.....
82b	1989	" " " Hinge Screw.....
29507	1996	" " " Spool Pin and Thread Eyelet.....
29601	1996	Arm Top Cover Spool Pin and Thread Eyelet Washer (steel).....
11241	1976	Arm Top Cover Spool Pin Washer (cloth).....
21212	1975	Balance Wheel, light rim, 2½ in. pulley, with two 448c.....
21330	1997	Balance Wheel (stand) heavy rim, 2½ in. pulley, with two 448c.....
448c	1979	Balance Wheel Set Screw.....
21213	1976	Cloth Plate with four 1602E.....
21214	1976	" " Bracket.....
159d	1989	" " " Screw.....
691f	1981	" " " Screw.....
21357	1997	Crank Connecting Rod with 21358 and two 1057E.....
*21358	—	Crank Connecting Rod Cap.....
1057E	1989	" " " " " Screw.....
908c	1996	" " " Hinge Screw.....
1619E	1996	" " " " " Nut.....
21217	1976	Face Plate with two 2827.....
190d	1981	" " " Screw.....
2827	1979	" " Thread Guard with 8505.....
8505	1979	" " " Rivet.....
286d	1989	" " Thumb Screw.....
21218	1978	Feed Bar with 21219 and two 337d.....
21219	1978	" " Plate.....
337d	1978	" " " Screw.....
313c	1978	" " " Screw Centre.....
1519E	1978	" " " " Nut.....
21221	1981	" Dog, for banding.....

NO.	PLATE	NAME
21223	1982	Feed Dog, for corded collars.....
21224	—	" " " " 1/16 in. stitch.....
792c	1989	" " " Screw.....
*21230	—	" Eccentric.....
1106c	1978	" " Adjusting Screw.....
21331	1996	" " Pressure Spring.....
21332	1996	" " " " Cap.....
934d	1996	" " " " " Screw.....
196f	1996	" " Set Screw.....
*21231	—	" Lifting Eccentric.....
446c	1978	" " " Set Screw.....
21232	1978	" and Feed Lifting Eccentric (adjust- able) Nos. 196f, 934d, 1106c, 21230, 21231, 21331, 21332 and two 446c...
21233	1977	Feed Lifting Rock Shaft.....
21234	1975	" " " " Connecting Link with 914c.....
914c	1978	Feed Lifting Rock Shaft Connecting Link Clamping Screw.....
21235	1977	Feed Lifting Rock Shaft Connecting Rod with 21236 and two 896E.....
*21236	—	Feed Lifting Rock Shaft Connecting Rod Cap.....
896E	1996	Feed Lifting Rock Shaft Connecting Rod Cap Screw.....
377c	1989	Feed Lifting Rock Shaft Connecting Rod Hinge Screw.....
1518E	1989	Feed Lifting Rock Shaft Connecting Rod Hinge Screw Nut.....
21237	1978	Feed Lifting Rock Shaft Crank with 914e and 1816.....
199b	1978	Feed Lifting Rock Shaft Crank Cap Screw
914E	1978	" " " " " Clamping Screw.....
1816	1978	Feed Lifting Rock Shaft Crank Roller and Stud.....
21238	1975	Feed Rock Shaft.....
21239	—	Feed Rock Shaft complete, Nos. 21238 and 21240.....
21240	1975	Feed Rock Shaft Crank with 157E.....
157E	1989	" " " " Clamping Screw...
21241	1977	" " " " Connecting Rod with 21236 and two 1057E.....
*21236	—	Feed Rock Shaft Crank Connecting Rod Cap.....
1057E	1989	Feed Rock Shaft Crank Connecting Rod Cap Screw.....

NO.	PLATE	NAME
375c	1989	Feed Rock Shaft Crank Connecting Rod Hinge Screw.....
1518E	1989	Feed Rock Shaft Crank Connecting Rod Hinge Screw Nut.....
307c	1989	Feed Rock Shaft Screw Centre.....
1513J	1989	" " " " " Nut.....
26682	1992	Guide (combination).....
939D	1989	" Thumb Screw.....
1602E	1989	" " " Nut.....
21243	1979	Needle Bar with 857H.....
21245	1979	" " Bushing.....
448c	1979	" " " Set Screw.....
21246	1979	" " Connecting Link with 794E.....
794E	1979	" " " " Adjusting Screw.....
1021E	1979	Needle Bar Connecting Link Cap Screw.....
21247	1979	" " " Stud with 207E.....
207E	1979	" " " " Clamping Screw.....
21248	1977	Needle Bar Crank with 858c, 1036c, 1037c and 1065c.....
1065c	1989	Needle Bar Crank Position Screw.....
858c	1989	" " " Set Screw.....
21360	1996	" " Hole Plug.....
29532	1996	" " Oil Cup.....
857H	1979	" Set Screw.....
21336	1997	Oscillating Rock Shaft.....
21337	—	Oscillating Rock Shaft complete, Nos. 4784, 21251 and 21336.....
21251	1977	Oscillating Rock Shaft Hinge Pin.....
448c	1979	" " " " " Set Screw.....
4784	1980	" " " Oil Pad.....
21252	1977	" Shaft.....
21253	1978	" " Bushing (back).....
21254	1978	" " " (front).....
21333	—	" " Crank.....
21334	1996	Oscillating Shaft Crank complete, Nos. 462c, 1636E, 21333 and 24050.....
2269	1979	Oscillating Shaft Crank Pin.....
462c	1987	" " " Set Screw.....
19448	1987	" " " Slide Block.....
229D	1987	" " " " " Cap Screw.....
12424	1987	Oscillating Shaft Crank Slide Block Cap Screw Washer.....
1035c	1987	Oscillating Shaft Crank Slide Block Screw Stud.....

NO.	PLATE	NAME
1636E	1987	Oscillating Shaft Crank Slide Block Screw Stud Nut.....
24050	1987	Oscillating Shaft Crank Slide Block complete, Nos. 229D, 1035c, 12424 and 19448.....
21320	1977	Presser Bar.....
21321	—	Presser Bar complete with Adjustable Presser Foot, Nos. 185H, 336E, 21308 or 21309, 21320 and 21322.....
20059	1980	Presser Bar Guide Bracket with 453c.....
453c	1980	" " " Set Screw.....
21244	1980	" " Lifter.....
1081c	1980	" " " Screw.....
1520E	1980	" " " " Nut.....
21256	1980	" " Lifting and Releasing Lever Bracket.....
21257	1977	Presser Bar Spring (heavy).....
21323	1977	" " " (light).....
11170	1979	" " " Washer.....
21308	1981	" Foot, for banding, for 21321.....
21311	1982	" " for corded collars, for 21223.....
21309	1981	" " 1/4 in. needle slot, for running, for 21321.....
21339	—	Presser Foot, 1/2 in. needle slot, for running, for 21321.....
21312	—	Presser Foot, 3/4 in. needle slot, for running, for 21321.....
21322	1981	Presser Foot Guide (stationary).....
336E	1981	" " " Screw.....
185H	1981	" " " Screw.....
1082J	1990	Pressure Regulating Thumb Screw.....
24051	1987	Shuttle Bobbin.....
16091	1987	" " Case Latch.....
16027	1987	" " " " Lever.....
2974	1987	" " " " " Fulcrum Pin.....
16092	—	Shuttle Bobbin Case Hinge, Nos. 2974, 16027 and 16091.....
2975	1987	Shuttle Bobbin Case Latch Spring.....
592E	1987	" " " " Stop Screw.....
21258	1987	" " " Position Finger.....
2523	1987	" " " " " Rivet.....
21352	1998	" " " " Plate.....
391D	1998	" " " " " Screw.....
21259	1987	Shuttle Bobbin Case complete, Nos. 591E, 592E, 2523, 2975, 16092, 21258 and 21261.....
21260	1987	Shuttle Body.....
591E	1987	" Tension Regulating Screw.....

NO.	PLATE	NAME
21261	1987	Shuttle Tension Spring.....
21262	1987	Shuttle, 1 1/8 in. diam., Nos. 21259, 21260 and 24051.....
*21263	—	Shuttle Driver with 462c.....
21264	1987	" " " two 462c.....
2269	1979	" " Pin.....
462c	1987	" " Set Screw.....
15032	1986	" Race Back.....
2532	1979	" " " Position Pin.....
2533	1986	" " " Spring.....
648d	1989	" " " Screw.....
21353	—	" " Body.....
21369	—	" " " 21353 with 21352 and two 391d.....
21354	1998	Shuttle Race complete, Nos. 648d, 2533, 15032, 21369 and two 2532.....
145d	1989	Shuttle Race Screw.....
21267	1980	Slack Thread Regulator.....
231f	1980	" " " Adjusting Screw..
2921	1988	Tension Disc.....
1560c	1988	" Regulating Thumb Nut.....
20037	1988	" Releaser.....
21268	1988	" Releasing Lever.....
86d	1988	" " " Hinge Screw.....
12329	1988	" " " Spring.....
1018c	1988	" Screw Stud.....
20061	1988	" " " Bushing.....
418c	1979	" " " " Set Screw....
20062	1988	" " " Flange.....
20063	1988	" " " Collar.....
8238	1988	" Spring.....
21269	1988	Thread Eyelet (side of arm).....
21306	1988	" Guard (side of arm).....
21270	1979	" Take-up Crank.....
1037c	1989	" " " Position Screw....
1036c	1989	" " " Set Screw.....
21271	1979	" " Lever.....
12166	1979	" " " Hinge Pin.....
21272	1979	" " " Link.....
21273	1979	" " " " Hinge Pin....
435c	1979	" " " " " " Set Screw.....
21274	—	Thread Take-up Lever complete, Nos. 12166, 21271 and 21272.....
21362	1996	Thread Take-up Spring.....
21278	1981	Throat Plate, small needle hole, for 21221..
21281	1982	" " " " " " 21223..

NO.	PLATE	NAME
21282	—	Throat Plate, small needle hole, for 21221..
691f	1981	" " Screw.....
21324	1993	Drip Pan.....

MACHINE No. 63-2

FOR SHIRTS, LINEN AND COTTON GOODS, DROP FEED
(OBSOLETE)

This Machine is the same as 63-1 with
the following exceptions:

NO.	PLATE	NAME
21220	1981	Feed Dog, in place of 21221.....
21225	1982	" " for shirt work.....
26567	1992	Guide, in place of 26682.....
21242	1977	Presser Bar, in place of 21321.....
21307	1981	" Foot.....
21314	—	" " 3/16 in. gauge and above, for collars and cuffs.....
NOTE: When ordering 21314 give width of turned edge from seam.		
21338	—	Presser Foot with long left toe.....
21315	—	" " " Strip Guide, for collars and cuffs.....
190d	1981	Presser Foot Screw.....
21276	—	Throat Plate, large needle hole, for 21220..
21277	1981	" " small needle hole, for 21220, in place of 21278.....
21283	1982	Throat Plate, large needle hole, for 21225..
21284	—	" " small needle hole, for 21225..

MACHINE No. 63-3

FOR UNDERCLOTHING, DRESSMAKING AND GENERAL
WORK, DROP FEED
(OBSOLETE)

This Machine is the same as 63-1 with
the following exceptions:

NO.	PLATE	NAME
21222	1981	Feed Dog, for general work, in place of 21221.....
21226	1982	Feed Dog, two teeth at left of needle, square corner.....

NO.	PLATE	NAME
26567	1992	Guide, in place of 26882
21242	1977	Presser Bar, in place of 21321
21310	1981	" Foot, for general work
21340	—	" " " 21226
190d	1981	" " Screw
21279	1981	Throat Plate, large needle hole, for 21222
21280	—	" " small needle hole, for 21222, in place of 21278
21285	1982	Throat Plate, large needle hole, for 21226
21286	—	" " small needle hole, for 21226

LIST OF PARTS COMPLETE

FOR

MACHINE No. 63-4

FOR RUNNING AND BANDING COLLARS AND CUFFS.
ADJUSTABLE PRESSER FOOT, DROP FEED

NO.	PLATE	NAME
*21355	—	Arm, upper and lower (solid)
11119	1979	" Oil Tube with 29599, for oiling 21271 and 21272
29599	1996	Arm Oil Tube Packing (felt)
21356	1997	" Shaft
21205	1975	" " Bushing (front)
448c	1979	" " " " Set Screw
21206	1975	" " Flanged Bushing (back)
978f	1989	" " " " " Set Screw
144d	1989	Arm Shaft Screw
21207	1976	" Side Cap
219d	1989	" " " Screw
21341	1997	" " Cover
146d	1996	" " " Screw
21210	—	" Top Cover
21211	1976	Arm Top Cover complete, Nos. 21210, 29507 and 29601
21202	1988	Arm Top Cover Friction Washer
82d	1989	" " " Hinge Screw
29507	1996	" " " Spool Pin and Thread Eyelet
29601	1996	Arm Top Cover Spool Pin and Thread Eyelet Washer (steel)
11241	1976	Arm Top Cover Spool Pin Washer (cloth)
21212	1975	Balance Wheel, light rim, 2½ in. pulley, with two 448c
21330	1997	Balance Wheel (stand) heavy rim, 2½ in. pulley, with two 448c
448c	1979	Balance Wheel Set Screw
21213	1976	Cloth Plate with four 1602E
21214	1976	" " Bracket
159d	1989	" " " Screw
691f	1981	" " " Screw
21357	1997	Crank Connecting Rod with 21358 and two 1057E

NO.	PLATE	NAME
*21358	—	Crank Connecting Rod Cap.....
1057E	1989	“ “ “ “ Screw.....
908C	1996	“ “ “ “ Hinge Screw.....
1619E	1996	“ “ “ “ “ Nut.....
21217	1976	Face Plate with two 2827.....
190D	1981	“ “ “ “ Screw.....
2827	1979	“ “ “ “ Thread Guard with 8505.....
8505	1979	“ “ “ “ “ Rivet.....
286D	1989	“ “ “ “ “ Thumb Screw.....
21218	1978	Feed Bar with 21219 and two 337D.....
21219	1978	“ “ “ “ Plate.....
337D	1978	“ “ “ “ “ Screw.....
313C	1978	“ “ “ “ “ Screw Centre.....
1519E	1978	“ “ “ “ “ Nut.....
21221	1981	“ “ “ “ “ Dog, for banding.....
21223	1982	“ “ “ “ “ corded collars.....
21224	—	“ “ “ “ “ 1/8 in. stitch.....
792C	1989	“ “ “ “ “ Screw.....
21342	1997	“ “ “ “ “ and Feed Lifting Eccentric with two 448C.....
448C	1979	Feed and Feed Lifting Eccentric Set Screw.....
21233	1977	“ “ “ “ “ Lifting Rock Shaft.....
21234	1975	“ “ “ “ “ Connecting Link with 914C.....
914C	1978	Feed Lifting Rock Shaft Connecting Link Clamping Screw.....
21235	1977	Feed Lifting Rock Shaft Connecting Rod with 21236 and two 896E.....
*21236	—	Feed Lifting Rock Shaft Connecting Rod Cap.....
896E	1996	Feed Lifting Rock Shaft Connecting Rod Cap Screw.....
377C	1989	Feed Lifting Rock Shaft Connecting Rod Hinge Screw.....
1518E	1989	Feed Lifting Rock Shaft Connecting Rod Hinge Screw Nut.....
21237	1978	Feed Lifting Rock Shaft Crank with 1814E and 1816.....
199D	1978	Feed Lifting Rock Shaft Crank Cap Screw.....
914E	1978	“ “ “ “ “ Clamping Screw.....
1816	1978	Feed Lifting Rock Shaft Crank Roller and Stud.....
21343	1996	Feed Regulator.....
45D	1996	“ “ “ “ “ Hinge Screw.....
21344	1996	“ “ “ “ “ Slide Block.....
771D	1996	“ “ “ “ “ Thumb Screw.....

NO.	PLATE	NAME
21351	1996	Feed Regulator Thumb Screw Stop.....
21238	1975	“ “ “ “ “ Rock Shaft.....
21364	—	Feed Rock Shaft complete, Nos. 21238 and 21348.....
21345	1996	Feed Rock Shaft Connecting Link with 207D.....
21346	1996	Feed Rock Shaft Connecting Link Hinge Pin.....
207D	1979	Feed Rock Shaft Connecting Link Hinge Pin Set Screw.....
21348	1997	Feed Rock Shaft Crank with 164D.....
164D	1996	“ “ “ “ “ Clamping Screw.....
21347	1997	“ “ “ “ “ Connecting Rod with 175D, 21236 and two 896E.....
175D	1996	Feed Rock Shaft Crank Connecting Rod Adjusting Screw.....
*21236	—	Feed Rock Shaft Crank Connecting Rod Cap.....
896E	1996	Feed Rock Shaft Crank Connecting Rod Cap Screw.....
1273C	1996	Feed Rock Shaft Crank Connecting Rod Hinge Screw.....
1517E	1996	Feed Rock Shaft Crank Connecting Rod Hinge Screw Nut.....
307C	1989	Feed Rock Shaft Screw Centre.....
1513A	1989	“ “ “ “ “ “ Nut.....
26682	1992	Guide (combination).....
939D	1989	“ “ “ “ “ “ Thumb Screw.....
1602E	1989	“ “ “ “ “ “ Nut.....
21243	1979	Needle Bar with 857H.....
21245	1979	“ “ “ “ “ “ Bushing.....
448C	1979	“ “ “ “ “ “ Set Screw.....
21246	1979	“ “ “ “ “ “ Connecting Link with 794E.....
794E	1979	“ “ “ “ “ “ Adjusting Screw.....
1021E	1979	Needle Bar Connecting Link Cap Screw.....
21247	1979	“ “ “ “ “ “ Stud with 207E.....
207E	1979	“ “ “ “ “ “ Clamping Screw.....
21248	1977	Needle Bar Crank with 858C, 1036C, 1037C and 1065C.....
1065C	1989	Needle Bar Crank Position Screw.....
858C	1989	“ “ “ “ “ “ Set Screw.....
21360	1996	“ “ “ “ “ “ Hole Plug.....
29532	1996	“ “ “ “ “ “ Oil Cup.....
857H	1979	“ “ “ “ “ “ Set Screw.....
21336	1997	Oscillating Rock Shaft.....

NO.	PLATE	NAME
21337	—	Oscillating Rock Shaft complete, Nos. 4784, 21251 and 21336
21251	1977	Oscillating Rock Shaft Hinge Pin
448c	1979	" " " " " Set Screw
4784	1980	" " " Oil Pad
21252	1977	" Shaft
21253	1978	" " Bushing (back)
21254	1978	" " " (front)
21333	—	" " Crank
21334	1996	Oscillating Shaft Crank complete, Nos. 462c, 1636E, 21333 and 24050
2269	1979	Oscillating Shaft Crank Pin
462c	1987	" " " Set Screw
19448	1987	" " " Slide Block
229d	1987	" " " " " Cap Screw
12424	1987	Oscillating Shaft Crank Slide Block Cap Screw Washer
1035c	1987	Oscillating Shaft Crank Slide Block Screw Stud
1636E	1987	Oscillating Shaft Crank Slide Block Screw Stud Nut
24050	1987	Oscillating Shaft Crank Slide Block complete, Nos. 229d, 1035c, 12424 and 19448
21320	1977	Presser Bar
21321	—	Presser Bar complete with Adjustable Presser Foot, Nos. 185H, 336F, 21308 or 21309, 21320 and 21322
20059	1980	Presser Bar Guide Bracket with 453c
453c	1980	" " " " " Set Screw
21244	1980	" " " Lifter
1081c	1980	" " " " " Screw
1520E	1980	" " " " " Nut
21256	1980	" " " Lifting and Releasing Lever Bracket
21257	1977	Presser Bar Spring (heavy)
21323	1977	" " " (light)
11170	1979	" " " Washer
21308	1981	" Foot, for banding, for 21231
21311	1982	" " " corded collars, for 21223
21309	1981	" " " 1/4 in. needle slot, for running, for 21321
21339	—	Presser Foot, 1/2 in. needle slot, for running, for 21321
21312	—	Presser Foot, 3/4 in. needle slot, for running, for 21321
21322	1981	Presser Foot Guide (stationary)

NO.	PLATE	NAME
336F	1981	Presser Foot Guide Screw
185H	1981	" " " " " Screw
1082j	1990	Pressure Regulating Thumb Screw
24051	1987	Shuttle Bobbin
16091	1987	" " " Case Latch
16027	1987	" " " " " Lever
2974	1987	" " " " " " Fulcrum Pin
16092	—	Shuttle Bobbin Case Hinge, Nos. 2974, 16027 and 16091
2975	1987	Shuttle Bobbin Case Latch Spring
592E	1987	" " " " " Stop Screw
21258	1987	" " " " " Position Finger
2523	1987	" " " " " " Rivet
21352	1998	" " " " " Plate
391D	1998	" " " " " " Screw
21259	1987	Shuttle Bobbin Case complete, Nos. 591E, 592E, 2523, 2975, 16092, 21258 and 21261
21260	1987	Shuttle Body
591F	1987	" " Tension Regulating Screw
21261	1987	" " " Spring
21262	1987	Shuttle, 1 1/8 in. diam, Nos. 21259, 21260 and 24051
*21263	—	Shuttle Driver with 462c
21264	1987	" " " " " two 462c
2269	1979	" " " Pin
462c	1987	" " " Set Screw
15032	1986	" Race Back
2532	1979	" " " " " Position Pin
2533	1986	" " " " " Spring
648d	1989	" " " " " Screw
21353	—	" " " " " Body
21369	—	" " " " " 21353 with 21352 and two 391d
21354	1998	Shuttle Race complete, Nos. 648d, 2533, 15032, 21369 and two 2532
145D	1989	Shuttle Race Screw
21267	1980	Slack Thread Regulator
231F	1980	" " " " " Adjusting Screw
2921	1988	Tension Disc
1560c	1988	" " Regulating Thumb Nut
20037	1988	" " Releaser
21268	1988	" " Releasing Lever
86D	1988	" " " " " Hinge Screw
12329	1988	" " " " " Spring
1018c	1988	" " " " " Screw Stud
20061	1988	" " " " " Bushing

NO.	PLATE	NAME
448c	1979	Tension Screw Stud Bushing Set Screw...
20062	1988	" " " Flange.....
20063	1988	" " " Collar.....
8238	1988	" Spring.....
21269	1988	Thread Eyelet (side of arm).....
21306	1988	" Guard (side of arm).....
21270	1979	" Take-up Crank.....
1037c	1989	" " " Position Screw.....
1036c	1989	" " " Set Screw.....
21271	1979	" " " Lever.....
12166	1979	" " " Hinge Pin.....
21272	1979	" " " Link.....
21273	1979	" " " " Hinge Pin.....
435c	1979	" " " " " " Set Screw.....
21274	---	Thread Take-up Lever complete, Nos. 12166, 21271 and 21272.....
21362	1996	Thread Take-up Spring.....
21278	1981	Throat Plate, small needle hole, for 21221.....
21281	1982	" " " " " " 21223.....
21282	---	" " " " " " 21224.....
691F	1981	" " " Screw.....
21324	1993	Drip Pan.....

MACHINE No. 63-5

FOR SHIRTS, LINEN AND COTTON GOODS, DROP FEED

This Machine is the same as 63-4 with the following exceptions:

NO.	PLATE	NAME
21220	1981	Feed Dog, in place of 21221.....
21225	1982	" " for shirt work.....
21350	1996	" Regulator Thumb Screw Stop, in place of 21351.....
26567	1992	Guide, in place of 26682.....
21242	1977	Presser Bar, in place of 21321.....
21307	1981	" Foot.....
21314	---	" " $\frac{3}{16}$ in. gauge and above, for collars and cuffs.....

NOTE: When ordering 21314 give width of turned edge from seam.

21338	---	Presser Foot with long left toe.....
21315	---	" " " Strip Guide, for collars and cuffs.....
190D	1981	Presser Foot Screw.....

NO.	PLATE	NAME
21276	---	Throat Plate, large needle hole, for 21220.....
21277	1981	" " small needle hole, for 21220, in place of 21278.....
21283	1982	Throat Plate, large needle hole, for 21225.....
21284	---	" " small needle hole, for 21225.....

MACHINE No. 63-6

FOR UNDERCLOTHING, DRESSMAKING, ETC., DROP FEED

This Machine is the same as 63-4 with the following exceptions:

NO.	PLATE	NAME
21222	1981	Feed Dog, general work, in place of 21221.....
21226	1982	" " two teeth at left of needle, square corner.....
21227	1982	Feed Dog, for shirts, collars and cuffs.....
21350	1996	" Regulator Thumb Screw Stop for 21222, in place of 21351.....
26567	1992	Guide, in place of 26682.....
21242	1977	Presser Bar, in place of 21321.....
21310	1981	" Foot, for general work.....
21340	---	" " " 21226.....
190D	1981	" " Screw.....
21279	1981	Throat Plate, large needle hole, for 21222.....
21280	---	" " small needle hole, for 21222, in place of 21278.....
21285	1982	Throat Plate, large needle hole, for 21226.....
21286	---	" " small needle hole, for 21226.....
21287	---	" " " " " " 21227.....

ACCESSORIES

NO.	PLATE	NAME
938E	1990	Bolt with 1524E, to secure machine to table.....
601E	1996	Bolt with 1524E, to secure machine to table on Stand 25247.....
1524E	1989	Bolt Nut.....
6055	1988	" " Washer.....
4718	1991	Machine Rest (felt).....
36578	1992	Oiler (copper plated) with 36579.....
36579	1992	" Spout, 3 $\frac{1}{2}$ in. long, with 120117.....
120117	1992	" " Washer (leather).....

NO.	PLATE	NAME
26026	1992	Screw Driver (machine).....
26485	1992	" " (shuttle tension).....
8908	1992	Wrench for 1520.....
8909	1992	" " 1513 and 1518.....

FELLER (Foot)

NO.	PLATE	NAME
26752	1995	Feller (foot) for 63-2, 63-3, 63-5 and 63-6 Machines.....

GUIDES

NO.	PLATE	NAME
28955	1992	Guide, for 1¼ in. seaming.....
26682	1992	" (combination) for 63-1 and 63-4 Machines.....
26567	1992	Guide for 63-2, 63-3, 63-5 and 63-6 Ma- chines.....
35105	1994	Guide for 35108, for 63-6 Machine.....
35106	1994	" (thin) for guiding the material close to the needle, for 35110, for 63-6 Machine..

HEMMERS

NO.	PLATE	NAME
26717	—	Hemmer (foot) for 1/16 in. hem, for 21220 and 21222.....
36160	—	Hemmer (foot) for 3/32 in. hem, for 21220 and 21222.....
36605	—	Hemmer (foot) for 3/32 in. hem, for umbrella work, for 21220 and 21222.....
93553	1981	Hemmer (foot) for 1/8 in. hem, for 21220 and 21222.....
36161	—	Hemmer (foot) for 5/32 in. hem, for 21220 and 21222.....
36076	—	Hemmer (foot) for 3/16 in. hem, for 21220 and 21222.....
36366	—	Hemmer (foot) for 3/32 in. hem, for 21220 and 21222.....
36073	—	Hemmer (foot) for 1/4 in. hem, for 21220 and 21222.....
35017	—	Hemmer, for 1/16 in. hem, for 26706.....
28983	1994	" " 3/32 in. hem, for 26706.....
26720	—	" " 1/8 in. hem, for 26706.....

NO.	PLATE	NAME
26949	—	Hemmer, for 5/32 in. hem, for 26706.....
26753	—	" " 3/16 in. hem, for 26706.....
26706	1994	" Body.....
25916	1981	" Folder.....
25888	1981	" Tongue.....

NOTE: When ordering 25888 or 25916 give width
of hem for which it is required.

PRESSER FEET

NO.	PLATE	NAME
26721	1995	Presser Foot, for gathering, for 63-2 and 63-5 Machines.....
28904	1982	Presser Foot Spring Guide.....
665D	1982	" " " " Screw.....
28905	1982	" " (spring guide) with 665D and 28904, for 63-3 and 63-6 Machines....
21313	1995	Presser Foot with 228D.....
26942	—	" " Extension, 1/16 in.....
26943	—	" " " 1/8 in.....
26944	1995	" " " 1/4 in.....
26945	—	" " " 3/8 in.....
26946	—	" " " 1/2 in.....
228D	1996	" " " Screw.....
26947	1995	" " Strip Gauge.....

PRESSER FEET (Glass Plate)

NO.	PLATE	NAME
26706	1994	Presser Foot Body.....
26608	1994	" " Plate (glass).....
26707	—	Presser Foot (glass plate) complete for 63-2 and 63-5 Machines, Nos. 26608 and 26706.....
35107	1994	Presser Foot Plate (glass).....
35108	—	Presser Foot (glass plate) complete for 35105, for 63-6 Machine, Nos. 26706 and 35107.....
35109	1994	Presser Foot Plate (glass).....
35110	—	Presser Foot (glass plate) complete for 35106, for 63-6 Machine, Nos. 26706 and 35109.....

BOBBIN WINDER

NO.	PLATE	NAME
15072	1979	Bobbin Position Pin.....
21316	1991	Bracket with 7958.....
692D	1990	" Screw.....
12169	1991	Frame.....
12171	1991	Frame complete, Nos. 333D, 5960, 5961, 5963, 12169 and 15077.....
32D	1989	Frame Hinge Screw.....
5960	1991	Friction Wheel (leather).....
5961	1991	" " Washer.....
333D	1989	" " " Screw.....
15077	1991	Spindle with 15072.....
5963	1991	" Flange.....
27323	1991	Spool Pin.....
27772	1988	" " Collar with 759F.....
759F	1988	" " " Thumb Screw.....
27307	—	" Stand.....
27773	1991	Spool Stand with Tension complete, Nos. 418E, 1562J, 2106, 10141, 27307, 27323, 27772, wood screw 1 in. No. 10 and two each 2455 and 4718.....
4718	1991	Spool Washer (felt).....
21317	1991	Spring.....
180F	1989	" Screw.....
21318	1991	Stop Latch with 152D and 1550J.....
152D	1989	" " Adjusting Screw.....
1550J	1989	" " " " Nut.....
75D	1989	" " Hinge Screw.....
27303	1988	" " Spring.....
7958	1979	" " Stop Pin.....
2455	1988	Tension Disc.....
1562J	1988	" Regulating Thumb Nut.....
418E	1988	" Screw Stud.....
10141	1988	" Spring.....
2106	1980	" Thread Guide.....
21370	—	Bobbin Winder, Nos. 32D, 75D, 180F, 12171, 21316 to 21318 and 27303.....
21319	—	Bobbin Winder complete, Nos. 21370 and 27773.....

FOOT LIFTER PARTS

NO.	PLATE	NAME
5670	—	Chain, length 26 in. to 35 in., with 56864 and 56865.....

NOTE: When ordering 5670 give length required

FOOT LIFTER PARTS

NO.	PLATE	NAME
4879	1991	Chain Connecting Link.....
56864	1997	" Hook (large).....
56865	1996	" " (small).....
21300	1975	Lifting Lever with 448c.....
21325	1993	" " Connecting Rod.....
12416	1980	" " " " Joint.....
76D	1980	" " " " " Hinge Screw.....
1521E	1980	Lifting Lever Connecting Rod Lock Nut..
1064D	1989	" " Hinge Screw.....
21301	1980	" " Link.....
766D	1980	" " " Hinge Screw.....
21302	1980	" " Pin.....
448c	1979	" " " Set Screw.....
21303	1975	" " Spring.....
4881	1993	Treadle.....
4882	1991	" Shaft.....
4883	1991	" Spring.....
4884	1993	" Stand.....
4885	1993	Treadle complete, Nos. 4879, 4881 to 4884 and two wood screws 1 in. No. 16.....
21326	—	Foot Lifter complete, Nos. 76D, 766D, 1064D, 1521E, 4885, 5670, 12416, 21300 to 21303 and 21325.....

KNEE LIFTER PARTS

FOR POWER TABLE

NO.	PLATE	NAME
21300	1975	Lifting Lever with 448c.....
21325	1993	" " Connecting Rod.....
12416	1980	" " " " Joint.....
76D	1980	" " " " " Hinge Screw.....
1521E	1980	Lifting Lever Connecting Rod Lock Nut..
1064D	1989	" " Hinge Screw.....
21301	1980	" " Link.....
766D	1980	" " " Hinge Screw.....
21302	1980	" " Pin.....
448c	1979	" " " Set Screw.....
21303	1975	" " Spring.....
7124	1993	Rock Shaft.....
2764	1993	" " Hanger with two wood screws 1 in. No. 10.....
6335	1993	Rock Shaft Knee Arm.....

KNEE LIFTER PARTS

NO.	PLATE	NAME
6336	—	Rock Shaft Knee Arm complete, Nos. 2766, 2767 and 6335
2766	1993	Rock Shaft Knee Arm Hub with 356c
356c	1990	" " " " " Set Screw
2767	1993	" " " " " Plate with 356c
356c	1990	" " " " " Set Screw
6337	1993	" " " " " Lifting Bracket with two 356c
7125	1993	" " " " " Hook
356c	1990	" " " " " Set Screw
356c	1990	" " " " " Set Screw
2770	1993	" " " " " Stop Dog with 356c
356c	1990	" " " " " Set Screw
7126	1993	Rock Shaft complete, Nos. 2770, 6336, 6337, 7124, 7125 and two 2764
21304	—	Knee Lifter complete, Nos. 76D, 766D, 1064D, 1521E, 7126, 12416, 21300 to 21303 and 21325

KNEE LIFTER PARTS

FOR STAND

NO.	PLATE	NAME
21300	1975	Lifting Lever with 448c
21325	1993	" " " " " Connecting Rod
12416	1980	" " " " " Joint
76D	1980	" " " " " Hinge Screw
1521E	1980	Lifting Lever Connecting Rod Lock Nut
1064D	1989	" " " " " Hinge Screw
21301	1980	" " " " " Link
766D	1980	" " " " " Hinge Screw
21302	1980	" " " " " Pin
448c	1979	" " " " " Set Screw
21303	1975	" " " " " Spring
20091	1993	Rock Shaft
12242	1993	" " " " " Hanger (back) with two wood screws 1 in. No. 10
21327	1993	Rock Shaft Hanger (front) with two wood screws 1 in. No. 10
6335	1993	Rock Shaft Knee Arm
6336	—	Rock Shaft Knee Arm complete, Nos. 2766, 2767 and 6335
2766	1993	Rock Shaft Knee Arm Hub with 356c
356c	1990	" " " " " Set Screw
2767	1993	" " " " " Plate with 356c

KNEE LIFTER PARTS

NO.	PLATE	NAME
356c	1990	Rock Shaft Knee Plate Set Screw
6337	1993	" " " " " Lifting Bracket with two 356c
7125	1993	" " " " " Hook
356c	1990	" " " " " Set Screw
356c	1990	" " " " " Set Screw
2770	1993	" " " " " Stop Dog with 356c
356c	1990	" " " " " Set Screw
21328	—	Rock Shaft complete, Nos. 6336, 6337, 7125, 12242, 20091, 21327 and two 2770
21329	—	Knee Lifter complete, Nos. 76D, 766D, 1064D, 1521E, 12416, 21300 to 21303, 21325 and 21328

STAND

ROCKING TREADLE, TRANSVERSE BAND WHEEL

NO.	PLATE	NAME
25301	3811	Band Wheel, 16 in. diam., with 972c
25379	3811	" " " " " Bracket with 983c and 1614E
1118D	3812	" " " " " Screw
25380	3811	" " " " " Crank
983c	3812	" " " " " Screw Centre
1614E	3812	" " " " " Nut
972c	3812	" " " " " Set Screw
25016	—	Belt, size 1/4 in., length 69 1/2 in., with 25127
25127	3812	" " " " " Hook
25381	3811	Brace with two 46629
506E	3812	" " " " " Bolt with 1510E
1510E	3812	" " " " " Nut
25064	3811	Leg
25383	—	Pitman Adjusting Block
558E	3812	" " " " " Screw
1570E	3812	" " " " " Nut
25075	3812	" " " " " Washer
25382	3811	Pitman (adjustable) complete with two each 558E, 1570E, 25075 and 25383
25160	3812	Pitman Ball Joint Stud
25384	3811	Treadle
297c	3812	" " " " " Screw Centre
46629	—	" " " " " 297c with 1507J
1507J	3812	" " " " " Nut
25086	3811	Wrench for 1507, 1510 and 1614
25200	3811	" " " " " 972
25247	—	Stand (iron work) complete, Nos. 25086, 25160, 25200, 25301, 25379 to 25382, 25384, two each 1118E, 25064 and four 506E

THREAD UNWINDER

FOR ONE SMALL SPOOL

NO.	PLATE	NAME
11107	1999	Spool Pin
27791	1999	" Rest with 446c and 11107
27792	1999	" Weight
2455	1988	Tension Disc
1562j	1988	" Regulating Thumb Nut
27793	1999	" Rod
446c	1978	" " Set Screw
418E	1988	" Screw Stud
10141	1988	" Spring
27794	1999	Thread Unwinder complete, Nos. 418E, 1562j, 10141, 27791 to 27793 and two each 2455 and wood screws $\frac{3}{4}$ in. No. 10

OBSOLETE PARTS

NO.	PLATE	NAME
*21201	---	Arm, upper and lower (solid) for 63-1 to 63-3 Machines
21204	1975	Arm Shaft for 63-1 to 63-3 Machines
446c	1978	" " Bushing (front) Set Screw
21208	1975	" Side Cover for 63-1 to 63-3 Machines.
286D	1989	" " " Thumb Screw
21209	1980	" Spool Pin and Thread Eyelet for 21211, use 29507
21215	1977	Crank Connecting Rod with 21216 and two 1057E, for 63-1 to 63-3 Machines
*21216	---	Crank Connecting Rod Cap
375c	1989	" " " Hinge Screw
1518E	1989	" " " " " Nut.
21305	1979	Needle Bar Hole Plug for 63-1 to 63-3 Machines, use 21360
21249	1977	Oscillating Rock Shaft
21250	---	Oscillating Rock Shaft complete, Nos. 4784, 21249 and 21251
446c	1978	Oscillating Rock Shaft Hinge Pin Set Screw
24048	---	" Shaft Crank
24049	1987	Oscillating Shaft Crank complete, Nos. 462c, 1636E, 24048 and 24050
860E	1989	Presser Bar Plug Screw
21265	---	Shuttle Race Body
21266	1986	Shuttle Race complete, Nos. 648D, 2533, 15032, 21265 and two 2532, use 21354
21275	1988	Thread Take-up Spring

NUMERICAL LIST OF PARTS

FOR
MACHINES
Nos. 63-1 to 63-6

NUMERICAL LIST OF PARTS

NO.	PLATE	NAME
32d	1989	Bobbin Winder Frame Hinge Screw for 21370.....
45d	1996	Feed Regulator Hinge Screw for 63-4 to 63-6 Machines.....
75d	1989	Bobbin Winder Stop Latch Hinge Screw for 21370.....
76d	1980	Lifting Lever Connecting Rod Joint Hinge Screw for 21304, 21326 and 21329.....
82d	1989	Arm Top Cover Hinge Screw.....
86d	1988	Tension Releasing Lever Hinge Screw.....
144d	1989	Arm Shaft Screw.....
145d	1989	Shuttle Race Screw.....
146d	1996	Arm Side Cover Screw.....
152d	1989	Bobbin Winder Stop Latch Adjusting Screw for 21318.....
157e	1989	Feed Rock Shaft Crank Clamping Screw for 21240, obsolete.....
159d	1980	Cloth Plate Bracket Screw.....
161d	1996	Feed Rock Shaft Crank Clamping Screw for 21348.....
175d	1996	Feed Rock Shaft Crank Connecting Rod Adjusting Screw for 21347.....
180f	1989	Bobbin Winder Spring Screw for 21370....
185h	1981	Presser Foot Screw for 21321.....
190b	1981	Face Plate Screw.....
190d	1981	Presser Foot Screw for 63-2, 63-3, 63-5 and 63-6 Machines.....
196f	1996	Feed Eccentric Set Screw for 21232, obsolete.....
199d	1978	Feed Lifting Rock Shaft Crank Cap Screw
207d	1979	" Rock Shaft Connecting Link Hinge Pin Set Screw for 21345.....
207e	1979	Needle Bar Connecting Stud Clamping Screw for 21247.....
219d	1989	Arm Side Cap Screw.....
228d	1996	Presser Foot Extension Screw for 21313
229d	1987	Oscillating Shaft Crank Slide Block Cap Screw for 24050.....
231f	1980	Slack Thread Regulator Adjusting Screw..
286d	1989	Face Plate Thumb Screw.....
286d	1989	Arm Side Cover Thumb Screw, obsolete.
297c	3812	Treadle Screw Centre for 46629.....

NUMERICAL LIST OF PARTS

NO.	PLATE	NAME
307c	1989	Feed Rock Shaft Screw Centre.....
313c	1978	" Bar Screw Centre.....
333d	1989	Bobbin Winder Friction Wheel Washer Screw for 12171.....
336f	1981	Presser Foot Guide Screw for 21321.....
337d	1978	Feed Bar Plate Screw for 21218.....
356c	1990	Rock Shaft Knee Arm Hub Set Screw for 2766.....
356c	1990	Rock Shaft Knee Plate Set Screw for 2767
356c	1990	" " Lifting Bracket Hook Set Screw for 6337.....
356c	1990	Rock Shaft Lifting Bracket Set Screw for 6337.....
356c	1990	Rock Shaft Stop Dog Set Screw for 2770..
375c	1989	Crank Connecting Rod Hinge Screw, obsolete.....
375c	1989	Feed Rock Shaft Crank Connecting Rod Hinge Screw for 63-1 to 63-3 Machines, obsolete.....
377c	1989	Feed Lifting Rock Shaft Connecting Rod Hinge Screw.....
391d	1998	Shuttle Bobbin Case Position Plate Screw for 21369.....
418e	1988	Bobbin Winder Tension Screw Stud for 27773.....
418e	1988	Thread Unwinder Tension Screw Stud for 27794.....
435c	1979	Thread Take-up Lever Link Hinge Pin Set Screw.....
446c	1978	Feed Lifting Eccentric Set Screw for 21232, obsolete.....
446c	1978	Arm Shaft Bushing (front) Set Screw, obsolete.....
446c	1978	Oscillating Rock Shaft Hinge Pin Set Screw, obsolete.....
446c	1978	Thread Unwinder Tension Rod Set Screw for 27791.....
448c	1979	Arm Shaft Bushing (front) Set Screw....
448c	1979	Balance Wheel Set Screw for 21212 and 21330.....
448c	1979	Feed and Feed Lifting Eccentric Set Screw for 21342.....
448c	1979	Lifting Lever Pin Set Screw for 21300....
448c	1979	Needle Bar Bushing Set Screw.....
448c	1979	Oscillating Rock Shaft Hinge Pin Set Screw
448c	1979	Tension Screw Stud Bushing Set Screw..
453c	1980	Presser Bar Guide Bracket Set Screw for 20059.....

NUMERICAL LIST OF PARTS

NO.	PLATE	NAME
462c	1987	Oscillating Shaft Crank Set Screw for 21334 and 24019.....
462c	1987	Shuttle Driver Set Screw for 21263 and 21264.....
506e	3812	Brace Bolt with 1510e, for 25247.....
558e	3812	Pitman Adjusting Screw for 25382.....
591f	1987	Shuttle Tension Regulating Screw for 21259.....
592e	1987	Shuttle Bobbin Case Latch Stop Screw for 21259.....
601e	1996	Bolt with 1524e, to secure machine to table on Stand 25247 (Accessories).....
648d	1989	Shuttle Race Back Spring Screw for 21266 and 21354.....
665d	1982	Presser Foot Spring Guide Screw for 28905
691f	1981	Cloth Plate Screw.....
691f	1981	Throat Plate Screw.....
692d	1990	Bobbin Winder Bracket Screw.....
759f	1988	" " Spool Pin Collar Thumb Screw for 27772.....
766d	1980	Lifting Lever Link Hinge Screw for 21304, 21326 and 21329.....
771d	1996	Feed Regulator Thumb Screw for 63-4 to 63-6 Machines.....
792c	1989	Feed Dog Screw.....
794e	1979	Needle Bar Connecting Link Adjusting Screw for 21246.....
857h	1979	Needle Set Screw for 21243.....
858c	1989	Needle Bar Crank Set Screw for 21248....
860e	1989	Presser Bar Plug Screw, obsolete.....
896e	1996	Feed Lifting Rock Shaft Connecting Rod Cap Screw for 21235.....
896e	1996	Feed Rock Shaft Crank Connecting Rod Cap Screw for 21347.....
908c	1996	Crank Connecting Rod Hinge Screw.....
914c	1978	Feed Lifting Rock Shaft Connecting Link Clamping Screw for 21234.....
914e	1978	Feed Lifting Rock Shaft Crank Clamping Screw for 21237.....
934d	1996	Feed Eccentric Pressure Spring Cap Screw for 21232, obsolete.....
938e	1990	Bolt with 1524e, to secure machine to table (Accessories).....
939d	1989	Guide Thumb Screw.....
972c	3812	Band Wheel Set Screw for 25301.....
978e	1989	Arm Shaft Flanged Bushing (back) Set Screw.....

NUMERICAL LIST OF PARTS

NO.	PLATE	NAME
983c	3812	Band Wheel Crank Screw Centre for 25379
1018c	1988	Tension Screw Stud
1021E	1979	Needle Bar Connecting Link Cap Screw
1035c	1987	Oscillating Shaft Crank Slide Block Screw Stud for 24050
1036c	1989	Thread Take-up Crank Set Screw for 21248
1037c	1989	" " " Position Screw for 21248
1057E	1989	Crank Connecting Rod Cap Screw for 21215 and 21357
1057E	1989	Feed Rock Shaft Crank Connecting Rod Cap Screw for 21241, obsolete
1064d	1989	Lifting Lever Hinge Screw for 21304, 21326 and 21329
1065c	1989	Needle Bar Crank Position Screw for 21248
1081c	1980	Presser Bar Lifter Screw
1082j	1990	Pressure Regulating Thumb Screw
1106c	1978	Feed Eccentric Adjusting Screw for 21232, obsolete
1118E	3812	Band Wheel Bracket Screw for 25247
1273c	1996	Feed Rock Shaft Crank Connecting Rod Hinge Screw for 63-4 to 63-6 Machines
1507j	3812	Treadle Screw Centre Nut for 46629
1510E	3812	Brace Bolt Nut for 506
1513j	1989	Feed Rock Shaft Screw Centre Nut
1517E	1996	" " " Crank Connecting Rod Hinge Screw Nut for 63-4 to 63-6 Machines
1518E	1989	Feed Lifting Rock Shaft Connecting Rod Hinge Screw Nut
1518E	1989	Feed Rock Shaft Crank Connecting Rod Hinge Screw Nut for 63-1 to 63-3 Machines, obsolete
1518E	1989	Crank Connecting Rod Hinge Screw Nut, obsolete
1519E	1978	Feed Bar Screw Centre Nut
1520E	1980	Presser Bar Lifter Screw Nut
1521E	1980	Lifting Lever Connecting Rod Lock Nut for 21304, 21326 and 21329
1524E	1989	Bolt Nut for 601 and 938 (Accessories)
1550j	1989	Bobbin Winder Stop Latch Adjusting Screw Nut for 21318
1560c	1988	Tension Regulating Thumb Nut
1562j	1988	Bobbin Winder Tension Regulating Thumb Nut for 27773
1562j	1988	Thread Unwinder Tension Regulating Thumb Nut for 27794

NUMERICAL LIST OF PARTS

NO.	PLATE	NAME
1570E	3812	Pitman Adjusting Screw Nut for 25382
1602E	1989	Guide Thumb Screw Nut for 21213
1614E	3812	Band Wheel Crank Screw Centre Nut for 25379
1619E	1996	Crank Connecting Rod Hinge Screw Nut
1636E	1987	Oscillating Shaft Crank Slide Block Screw Stud Nut for 21334 and 24049
1816	1978	Feed Lifting Rock Shaft Crank Roller and Stud for 21237
2106	1980	Bobbin Winder Tension Thread Guide for 27773
2269	1979	Oscillating Shaft Crank Pin
2269	1979	Shuttle Driver Pin
2455	1988	Bobbin Winder Tension Disc for 27773
2455	1988	Thread Unwinder Tension Disc for 27794
2523	1987	Shuttle Bobbin Case Position Finger Rivet for 21259
2532	1979	Shuttle Race Back Position Pin for 21266 and 21354
2533	1986	Shuttle Race Back Spring for 21266 and 21354
2764	1993	Rock Shaft Hanger with two wood screws 1 in. No. 10, for 7126
2766	1993	Rock Shaft Knee Arm Hub with 356c, for 6336
2767	1993	Rock Shaft Knee Plate with 356c, for 6336
2770	1993	Rock Shaft Stop Dog with 356c, for 7126 and 21328
2827	1979	Face Plate Thread Guard with 8505, for 21217
2921	1988	Tension Disc
2974	1987	Shuttle Bobbin Case Latch Lever Fulcrum Pin for 16092
2975	1987	Shuttle Bobbin Case Latch Spring for 21259
4718	1991	Bobbin Winder Spool Washer (felt) for 27773
4718	1991	Machine Rest, felt (Accessories)
4784	1980	Oscillating Rock Shaft Oil Pad for 21250 and 21337
4879	1991	Chain Connecting Link for 4885
Nos. 4881 to 4884 for 4885		
4881	1993	Treadle
4882	1991	" Shaft
4883	1991	" Spring
4884	1993	" Stand

NUMERICAL LIST OF PARTS

NO.	PLATE	NAME
4885	1993	Treadle complete for 21326, Nos. 4879, 4881 to 4884 and two wood screws 1 in. No. 16.
5670	—	Chain, length 26 in. to 35 in., with 56864 and 56865, for 21326.
5960	1991	Bobbin Winder Friction Wheel (leather) for 12171.
5961	1991	Bobbin Winder Friction Wheel Washer for 12171.
5963	1991	Bobbin Winder Spindle Flange for 12171
6055	1988	Bolt Nut Washer (Accessories).
6335	1993	Rock Shaft Knee Arm for 6336.
6336	—	Rock Shaft Knee Arm complete for 7126 and 21328, Nos. 2766, 2767 and 6335.
6337	1993	Rock Shaft Lifting Bracket with two 356c, for 7126 and 21328.
7124	1993	Rock Shaft for 7126.
7125	1993	" " Lifting Bracket Hook for 7126 and 21328.
7126	1993	Rock Shaft complete for 21304, Nos. 2770, 6336, 6337, 7124, 7125 and two 2764.
7958	1979	Bobbin Winder Stop Latch Stop Pin for 21316.
8238	1988	Tension Spring.
8505	1979	Face Plate Thread Guard Rivet for 2827.
8908	1992	Wrench for 1520 (Accessories).
8909	1992	" " 1513 and 1518 (Accessories).
10141	1988	Bobbin Winder Tension Spring for 27773.
10141	1988	Thread Unwinder Tension Spring for 27794
11107	1999	" " Spool Pin for 27791.
11119	1979	Arm Oil Tube with 29599, for oiling 21271 and 21272.
11170	1979	Presser Bar Spring Washer.
11241	1976	Arm Top Cover Spool Pin Washer (cloth)
12166	1979	Thread Take-up Lever Hinge Pin for 21274
12169	1991	Bobbin Winder Frame for 12171.
12171	1991	Bobbin Winder Frame complete for 21370, Nos. 333d, 5960, 5961, 5963, 12169 and 15077.
12242	1993	Rock Shaft Hanger (back) with two wood screws 1 in. No. 10, for 21328.
12329	1988	Tension Releasing Lever Spring.
12416	1980	Lifting Lever Connecting Rod Joint for 21304, 21326 and 21329.
12424	1987	Oscillating Shaft Crank Slide Block Cap Screw Washer for 24050.
15032	1986	Shuttle Race Back for 21266 and 21354.

NUMERICAL LIST OF PARTS

NO.	PLATE	NAME
15072	1979	Bobbin Winder Bobbin Position Pin for 15077.
15077	1991	Bobbin Winder Spindle with 15072, for 12171.
16027	1987	Shuttle Bobbin Case Latch Lever for 16092
16091	1987	" " " " for 16092.
16092	—	Shuttle Bobbin Case Hinge for 21259, Nos. 2974, 16027 and 16091.
19448	1987	Oscillating Shaft Crank Slide Block for 24050.
20037	1988	Tension Releaser.
20059	1980	Presser Bar Guide Bracket with 453c.
20061	1988	Tension Screw Stud Bushing.
20062	1988	" " " Flange.
20063	1988	" " " " Collar.
20091	1993	Rock Shaft for 21328.
*21201	—	Arm, upper and lower (solid) for 63-1 to 63-3 Machines, obsolete.
21202	1988	Arm Top Cover Friction Washer.
21204	1975	" Shaft for 63-1 to 63-3 Machines, obsolete.
21205	1975	Arm Shaft Bushing (front).
21206	1975	" " Flanged Bushing (back).
21207	1976	" Side Cap.
21208	1975	" " Cover for 63-1 to 63-3 Machines, obsolete.
21209	1980	Arm Spool Pin and Thread Eyelet for 21211, obsolete, use 29507.
21210	—	Arm Top Cover for 21211.
21211	1976	Arm Top Cover complete, Nos. 21210, 29507 and 29601.
21212	1975	Balance Wheel, light rim, 2½ in. pulley, with two 448c.
21213	1976	Cloth Plate with four 1602e.
21214	1976	" " Bracket.
21215	1977	Crank Connecting Rod with 21216 and two 1057e, for 63-1 to 63-3 Machines, obsolete.
*21216	—	Crank Connecting Rod Cap for 21215, obsolete.
21217	1976	Face Plate with two 2827.
21218	1978	Feed Bar with 21219 and two 337d.
21219	1978	" " Plate for 21218.
21220	1981	" Dog for 63-2 and 63-5 Machines.
21221	1981	" " banding, for 63-1 and 63-4 Machines.
21222	1981	Feed Dog, for general work, for 63-3 and 63-6 Machines.

NO.	PLATE	NAME
21223	1982	Feed Dog, for corded collars, for 63-1 and 63-4 Machines.
21224	—	Feed Dog, $\frac{1}{8}$ in. stitch, for 63-1 and 63-4 Machines.
21225	1982	Feed Dog, for shirt work, for 63-2 and 63-5 Machines.
21226	1982	Feed Dog, two teeth at left of needle, square corner, for 63-3 and 63-6 Machines.
21227	1982	Feed Dog, for shirts, collars and cuffs, for 63-6 Machine.
*21230	—	Feed Eccentric for 21232, obsolete.
*21231	—	" Lifting Eccentric for 21232, obsolete.
21232	1978	Feed and Feed Lifting Eccentric (adjustable) Nos. 196F, 934D, 1106c, 21230, 21231, 21331, 21332 and two 446c, for 63-1 to 63-3 Machines, obsolete.
21233	1977	Feed Lifting Rock Shaft.
21234	1975	" " " " Connecting Link with 914c.
21235	1977	Feed Lifting Rock Shaft Connecting Rod with 21236 and two 896E.
*21236	—	Feed Lifting Rock Shaft Connecting Rod Cap for 21235.
*21236	—	Feed Rock Shaft Crank Connecting Rod Cap for 21241 and 21347.
21237	1978	Feed Lifting Rock Shaft Crank with 914E and 1816.
21238	1975	Feed Rock Shaft for 21239 and 21364.
21239	—	Feed Rock Shaft complete for 63-1 to 63-3 Machines, Nos. 21238 and 21240, obsolete.
21240	1975	Feed Rock Shaft Crank with 157E, for 21239, obsolete.
21241	1977	Feed Rock Shaft Crank Connecting Rod with 21236 and two 1057E, for 63-1 to 63-3 Machines, obsolete.
21242	1977	Presser Bar for 63-2, 63-3, 63-5 and 63-6 Machines.
21243	1979	Needle Bar with 857H.
21244	1980	Presser Bar Lifter.
21245	1979	Needle Bar Bushing.
21246	1979	" " Connecting Link with 794E.
21247	1979	" " Stud with 207E.
21248	1977	" " Crank with 858c, 1036c, 1037c and 1065c.
21249	1977	Oscillating Rock Shaft for 21250, obsolete.

NO.	PLATE	NAME
21250	—	Oscillating Rock Shaft complete for 63-1 to 63-3 Machines, Nos. 4784, 21249 and 21251, obsolete.
21251	1977	Oscillating Rock Shaft Hinge Pin for 21250 and 21337.
21252	1977	Oscillating Shaft.
21253	1978	" " Bushing (back).
21254	1978	" " " (front).
21256	1980	Presser Bar Lifting and Releasing Lever Bracket.
21257	1977	Presser Bar Spring (heavy).
21258	1987	Shuttle Bobbin Case Position Finger for 21259.
21259	1987	Shuttle Bobbin Case complete for 21262, Nos. 591E, 592E, 2523, 2975, 16092, 21258 and 21261.
21260	1987	Shuttle Body for 21262.
21261	1987	" Tension Spring for 21259.
21262	1987	Shuttle, $1\frac{1}{4}$ in. diam., Nos. 21259, 21260 and 24051.
*21263	—	Shuttle Driver with 462c.
21264	1987	" " " two 462c.
21265	—	" Race Body for 21266, obsolete.
21266	1986	Shuttle Race complete, Nos. 618D, 2533, 15032, 21265 and two 2532, obsolete, use 21354.
21267	1980	Slack Thread Regulator.
21268	1988	Tension Releasing Lever.
21269	1988	Thread Eyelet (side of arm).
21270	1979	" Take-up Crank.
21271	1979	" " Lever for 21274.
21272	1979	" " " Link for 21274.
21273	1979	" " " " Hinge Pin.
21274	—	Thread Take-up Lever complete, Nos. 12166, 21271 and 21272.
21275	1988	Thread Take-up Spring, obsolete.
21276	—	Throat Plate, large needle hole, for 21220.
21277	1981	" " small needle hole, for 21220.
21278	1981	" " " " " " 21221.
21279	1981	" " large needle hole, for 21222.
21280	—	" " small needle hole, for 21222.
21281	1982	" " " " " " 21223.
21282	—	" " " " " " 21224.
21283	1982	" " large needle hole, for 21225.
21284	—	" " small needle hole, for 21225.
21285	1982	" " large needle hole, for 21226.
21286	—	" " small needle hole, for 21226.

NUMERICAL LIST OF PARTS

NO.	PLATE	NAME
21287	—	Throat Plate, small needle hole, for 21227
Nos. 21300 TO 21303 FOR 21304, 21326 AND 21329		
21300	1975	Lifting Lever with 448c.....
21301	1980	“ “ Link.....
21302	1980	“ “ Pin.....
21303	1975	“ “ Spring.....
21304	—	Knee Lifter complete for power table, Nos. 76D, 766D, 1064D, 1521E, 7126, 12416, 21300 to 21303 and 21325.....
21305	1979	Needle Bar Hole Plug for 63-1 to 63-3 Machines, obsolete, use 21360.....
21306	1988	Thread Guard (side of arm).....
21307	1981	Presser Foot for 63-2 and 63-5 Machines..
21308	1981	“ “ “ banding, for 21321.....
21309	1981	“ “ ¼ in. needle slot, for running, for 21321.....
21310	1981	Presser Foot, for general work, for 63-3 and 63-6 Machines.....
21311	1982	Presser Foot, for corded collars, for 21223..
21312	—	“ “ ¾ in needle slot, for running, for 21321.....
21313	1995	Presser Foot with 228D.....
21314	—	Presser Foot, ⅜ in. gauge and above, for collars and cuffs, for 63-2 and 63-5 Machines.....
21315	—	Presser Foot with Strip Guide, for collars and cuffs, for 63-2 and 63-5 Machines..
Nos. 21316 TO 21318 FOR 21370		
21316	1991	Bobbin Winder Bracket with 7958.....
21317	1991	“ “ Spring.....
21318	1991	“ “ Stop Latch with 152D and 1550J.....
21319	—	Bobbin Winder complete, Nos. 21370 and 27773.....
21320	1977	Presser Bar for 21321.....
21321	—	Presser Bar complete with Adjustable Presser Foot for 63-1 and 63-4 Machines, Nos. 185H, 336F, 21308 or 21309, 21320 and 21322.....
21322	1981	Presser Foot Guide (stationary) for 21321
21323	1977	“ Bar Spring (light).....
21324	1993	Drip Pan.....
21325	1993	Lifting Lever Connecting Rod for 21304, 21326 and 21329.....

NUMERICAL LIST OF PARTS

NO.	PLATE	NAME
21326	—	Foot Lifter complete, Nos. 76D, 766D, 1064D, 1521E, 4885, 5670, 12416, 21300 to 21303 and 21325.....
21327	1993	Rock Shaft Hanger (front) with two wood screws 1 in. No. 10, for 21328.....
21328	—	Rock Shaft complete for 21329, Nos. 6336, 6337, 7125, 12242, 20091, 21327 and two 2770.....
21329	—	Knee Lifter complete for Stand, Nos. 76D, 766D, 1064D, 1521E, 12416, 21300 to 21303, 21325 and 21328.....
21330	1997	Balance Wheel (stand) heavy rim, 2½ in. pulley, with two 448c.....
21331	1996	Feed Eccentric Pressure Spring for 21232, obsolete.....
21332	1996	Feed Eccentric Pressure Spring Cap for 21232, obsolete.....
21333	—	Oscillating Shaft Crank for 21334.....
21334	1996	Oscillating Shaft Crank complete, Nos. 462c, 1636E, 21333 and 24050.....
21336	1997	Oscillating Rock Shaft for 21337.....
21337	—	Oscillating Rock Shaft complete, Nos. 4784, 21251 and 21336.....
21338	—	Presser Foot with long left toe for 63-2 and 63-5 Machines.....
21339	—	Presser Foot, ½ in. needle slot, for running, for 21321.....
21340	—	Presser Foot for 21226.....
Nos. 21341 TO 21347 FOR 63-4 TO 63-6 MACHINES		
21341	1997	Arm Side Cover.....
21342	1997	Feed and Feed Lifting Eccentric with two 448c.....
21343	1996	Feed Regulator.....
21344	1996	“ “ Slide Block.....
21345	1996	“ Rock Shaft Connecting Link with 207D.....
21346	1996	Feed Rock Shaft Connecting Link Hinge Pin.....
21347	1997	Feed Rock Shaft Crank Connecting Rod with 175D, 21236 and two 896E.....
21348	1997	Feed Rock Shaft Crank with 164D, for 21364.....
21349	1997	Arm Side Cover for 63-1 to 63-3 Machines, obsolete.....

NO.	PLATE	NAME
21350	1996	Feed Regulator Thumb Screw Stop for 63-5 Machine and for 21222 for 63-6 Machine.
21351	1996	Feed Regulator Thumb Screw Stop for 63-4 Machine.
21352	1998	Shuttle Bobbin Case Position Plate for 21369.
21353	—	Shuttle Race Body for 21369.
21354	1998	Shuttle Race complete, Nos. 648d, 2533, 15032, 21369 and two 2532.
*21355	—	Arm, upper and lower (solid).
21356	1997	" Shaft.
21357	1997	Crank Connecting Rod with 21358 and two 1057e.
*21358	—	Crank Connecting Rod Cap for 21357.
21360	1996	Needle Bar Hole Plug.
21362	1996	Thread Take-up Spring.
21364	—	Feed Rock Shaft complete for 63-4 to 63-6 Machines, Nos. 21238 and 21348.
21369	—	Shuttle Race Body 21353 with 21352 and two 391d, for 21354.
21370	—	Bobbin Winder for 21319, Nos. 32d, 75d, 180F, 12171, 21316 to 21318 and 27303.
24048	—	Oscillating Shaft Crank for 24049, obsolete.
24049	1987	Oscillating Shaft Crank complete, Nos. 462c, 1636e, 24048 and 24050, obsolete.
24050	1987	Oscillating Shaft Crank Slide Block complete for 21334 and 24049, Nos. 229d, 1035c, 12424 and 19448.
24051	1987	Shuttle Bobbin for 21262.
25016	—	Belt, size $\frac{1}{4}$ in., length 69 $\frac{1}{2}$ in., with 25127, for 25247.
25064	3811	Leg for 25247.
25075	3812	Pitman Adjusting Screw Washer for 25382.
25086	3811	Wrench for 1507, 1510 and 1614, for 25247.
25127	3812	Belt Hook for 25016.
25160	3812	Pitman Ball Joint Stud for 25247.
25200	3811	Wrench for 972, for 25247.
25247	—	Stand (iron work) rocking treadle, transverse band wheel, complete, Nos. 25086, 25160, 25200, 25301, 25379 to 25382, 25384, two each 1118e, 25064 and four 506e.
25301	3811	Band Wheel, 16 in. diam., with 972c, for 25247.

NO.	PLATE	NAME
		Nos. 25379 to 25382 for 25247.
25379	3811	Band Wheel Bracket with 983c and 1614e.
25380	3811	" " Crank.
25381	3811	Brace with two 46629.
25382	3811	Pitman (adjustable) complete with two each 558e, 1570e, 25075 and 25383.
25383	—	Pitman Adjusting Block for 25382.
25384	3811	Treadle for 25247.
25888	1981	Hemmer Tongue.
25916	1981	" Folder.
26026	1992	Screw Driver, machine (Accessories).
26485	1992	" " shuttle tension (Accessories).
26553	1981	Hemmer (foot) for $\frac{1}{8}$ in. hem, for 21220 and 21222.
26567	1992	Guide for 63-2, 63-3, 63-5 and 63-6 Machines.
26608	1994	Presser Foot Plate (glass) for 26707.
26682	1992	Guide (combination) for 63-1 and 63-4 Machines.
26706	1994	Hemmer Body.
26706	1994	Presser Foot Body for 26707, 35108 and 35110.
26707	—	Presser Foot (glass plate) complete for 63-2 and 63-5 Machines, Nos. 26608 and 26706.
26717	—	Hemmer (foot) for $\frac{1}{16}$ in. hem, for 21220 and 21222.
26720	—	Hemmer, for $\frac{1}{8}$ in. hem, for 26706.
26721	1995	Presser Foot, for gathering, for 63-2 and 63-5 Machines.
26752	1995	Feller (foot) for 63-2, 63-3, 63-5 and 63-6 Machines.
26753	—	Hemmer, for $\frac{3}{16}$ in. hem, for 26706.
		Nos. 26942 to 26947 for 21313.
26942	—	Presser Foot Extension, $\frac{1}{16}$ in.
26943	—	" " " $\frac{1}{8}$ in.
26944	1995	" " " $\frac{1}{4}$ in.
26945	—	" " " $\frac{3}{8}$ in.
26946	—	" " " $\frac{1}{2}$ in.
26947	1995	" " Strip Gauge.
26949	—	Hemmer, for $\frac{5}{32}$ in. hem, for 26706.
27303	1988	Bobbin Winder Stop Latch Spring for 21370.
27307	—	Bobbin Winder Spool Stand for 27773.
27323	1991	" " " Pin for 27773.

NUMERICAL LIST OF PARTS

NO.	PLATE	NAME
27772	1988	Bobbin Winder Spool Pin Collar with 759F, for 27773.....
27773	1991	Bobbin Winder Spool Stand with Tension complete for 21319, Nos. 418E, 1562J, 2106, 10141, 27307, 27323, 27772, wood screw 1 in. No. 10 and two each 2455 and 4718.....
Nos. 27791 to 27793 for 27794		
27791	1999	Thread Unwinder Spool Rest with 446c and 11107.....
27792	1999	Thread Unwinder Spool Weight.....
27793	1999	" " Tension Rod.....
27794	1999	Thread Unwinder complete, for one small spool, Nos. 418E, 1562J, 10141, 27791 to 27793 and two each 2455 and wood screws $\frac{3}{4}$ in. No. 10.....
28904	1982	Presser Foot Spring Guide for 28905.....
28905	1982	" " (spring guide) with 665b and 28904, for 63-3 and 63-6 Machines.....
28955	1992	Guide, for $1\frac{1}{4}$ in. seaming.....
28983	1994	Hemmer, for $\frac{3}{32}$ in. hem, for 26706.....
29507	1996	Arm Top Cover Spool Pin and Thread Eyelet for 21211.....
29532	1996	Needle Bar Oil Cup.....
29599	1996	Arm Oil Tube Packing (felt) for 11119.....
29601	1996	" Top Cover Spool Pin and Thread Eyelet Washer (steel) for 21211.....
35017	—	Hemmer, for $\frac{1}{8}$ in. hem, for 26706.....
35105	1994	Guide for 35108, for 63-6 Machine.....
35106	1994	" (thin) for guiding the material close to the needle, for 35110, for 63-6 Machine.....
35107	1994	Presser Foot Plate (glass) for 35108.....
35108	—	Presser Foot (glass plate) complete for 35105, for 63-6 Machine, Nos. 26706 and 35107.....
35109	1994	Presser Foot Plate (glass) for 35110.....
35110	—	Presser Foot (glass plate) complete for 35106, for 63-6 Machine, Nos. 26706 and 35109.....
36073	—	Hemmer (foot) for $\frac{1}{4}$ in. hem, for 21220 and 21222.....
36076	—	Hemmer (foot) for $\frac{3}{16}$ in. hem, for 21220 and 21222.....
36160	—	Hemmer (foot) for $\frac{3}{32}$ in. hem, for 21220 and 21222.....

NUMERICAL LIST OF PARTS

NO.	PLATE	NAME
36161	—	Hemmer (foot) for $\frac{5}{32}$ in. hem, for 21220 and 21222.....
36366	—	Hemmer (foot) for $\frac{7}{32}$ in. hem, for 21220 and 21222.....
36578	1992	Oiler (copper plated) with 36579 (Accessories).....
36579	1992	Oiler Spout, $3\frac{1}{2}$ in. long, with 120117, for 36578.....
36605	—	Hemmer (foot) for $\frac{3}{32}$ in. hem, for umbrella work, for 21220 and 21222.....
46629	—	Treadle Screw Centre 297c with 1507J, for 25381.....
56864	1997	Chain Hook (large) for 5670.....
56865	1996	" " (small) for 5670.....
120117	1992	Oiler Spout Washer (leather) for 36579...

ILLUSTRATIONS OF PARTS

FOR

MACHINES

Nos. 63-1 to 63-6

PLATE 1975—ONE-HALF SIZE

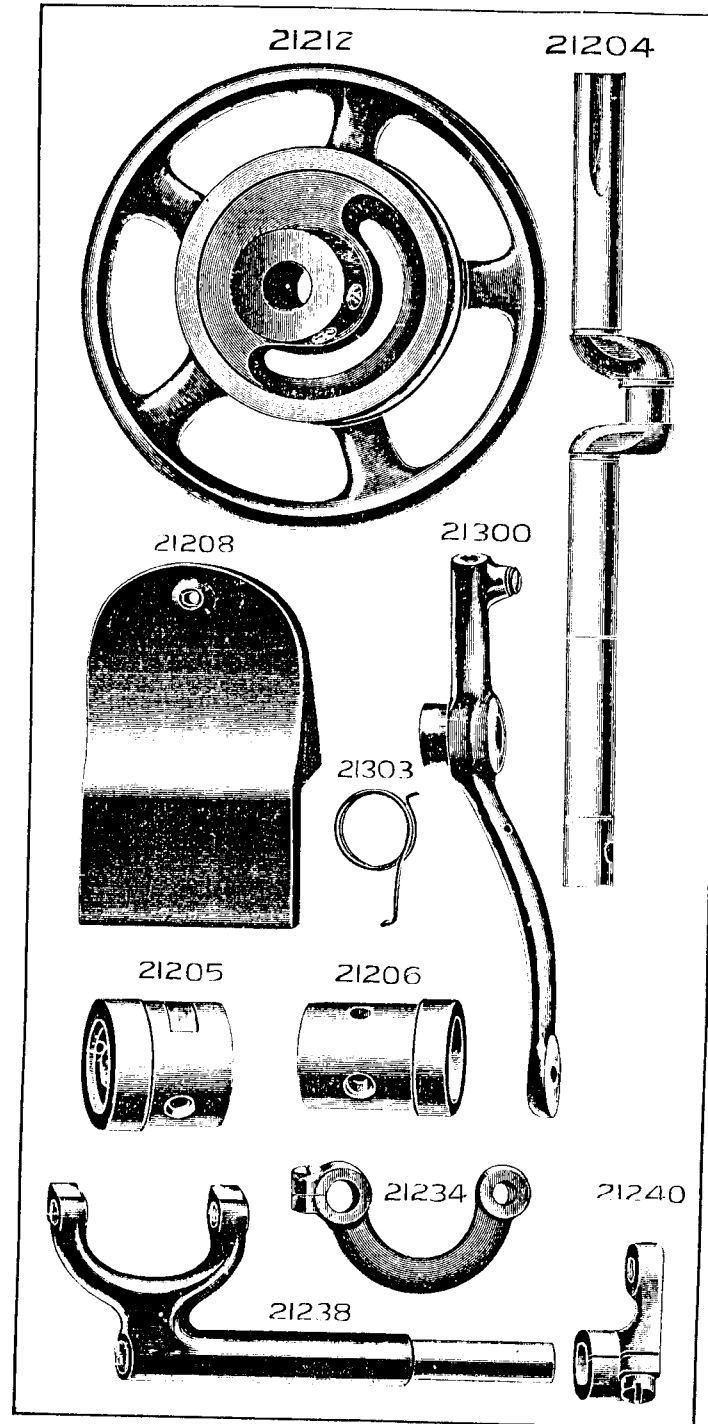


PLATE 1976—ONE-HALF SIZE

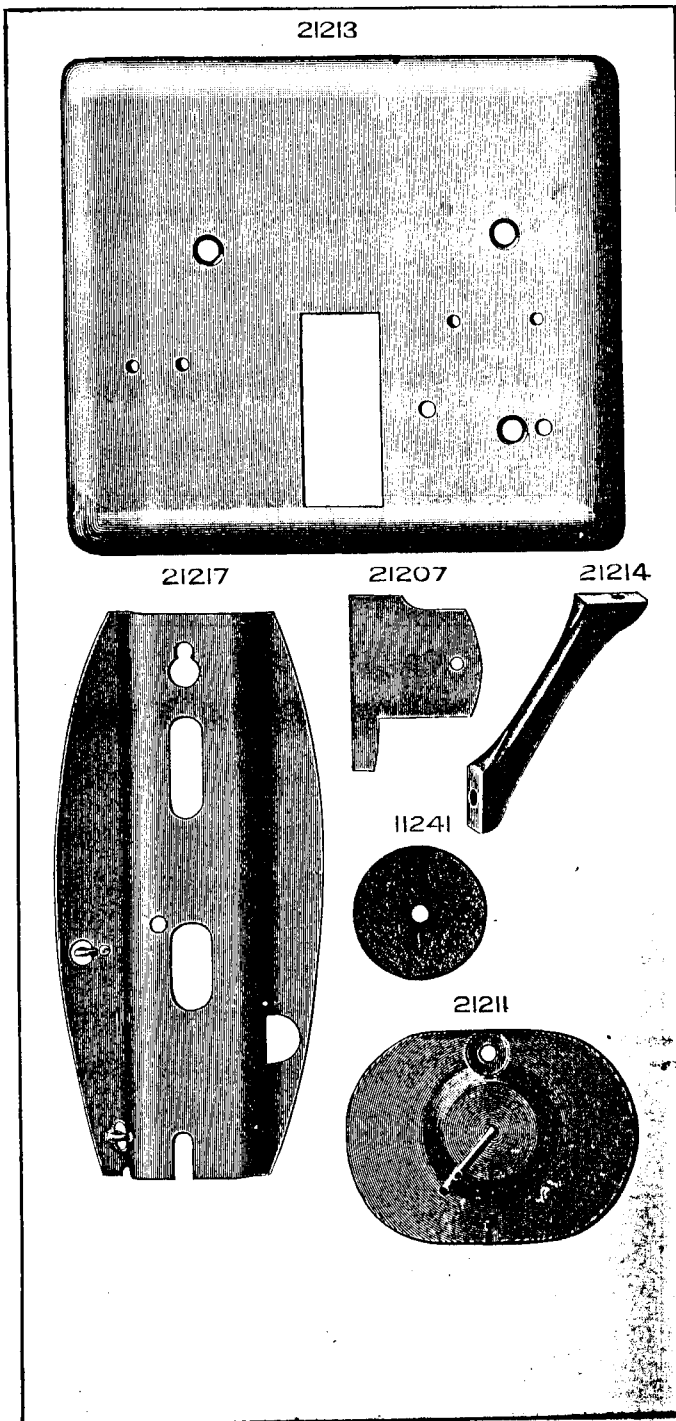


PLATE 1977—ONE-HALF SIZE

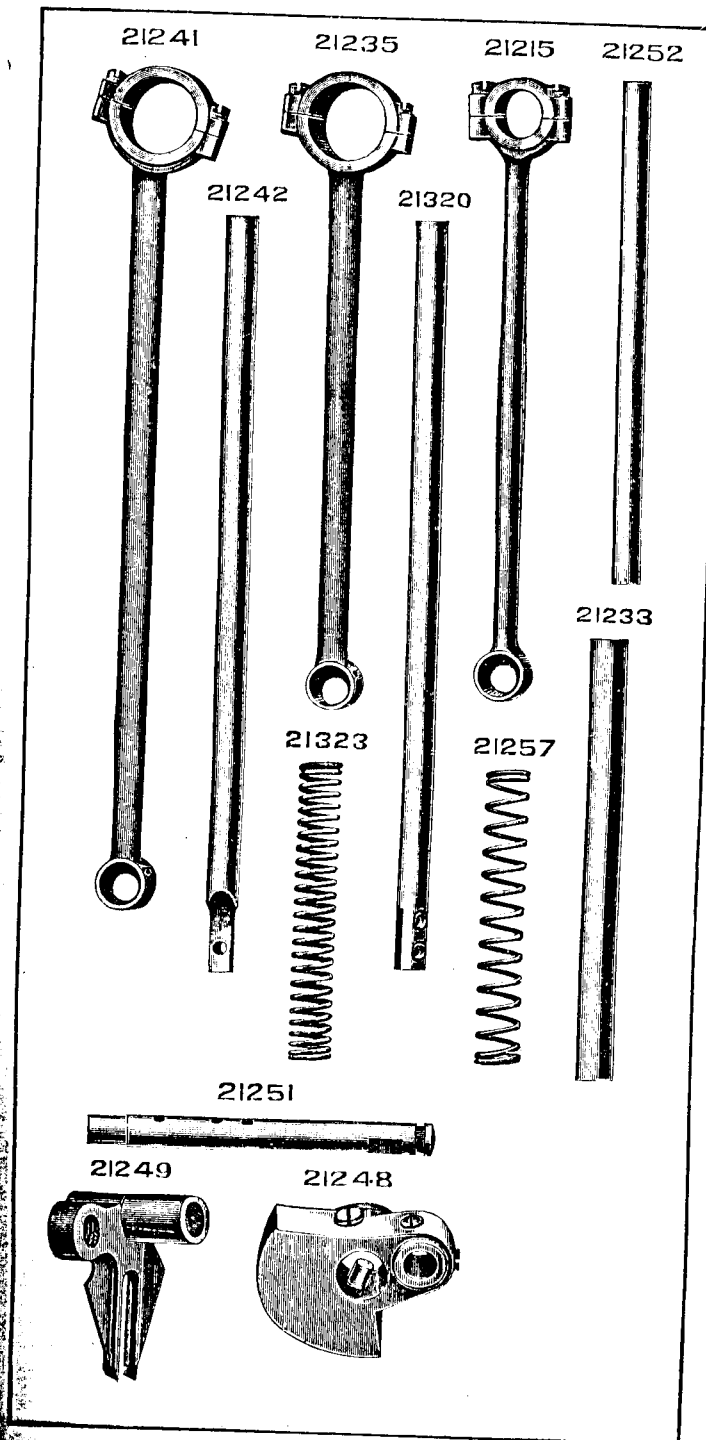


PLATE 1978—FULL SIZE

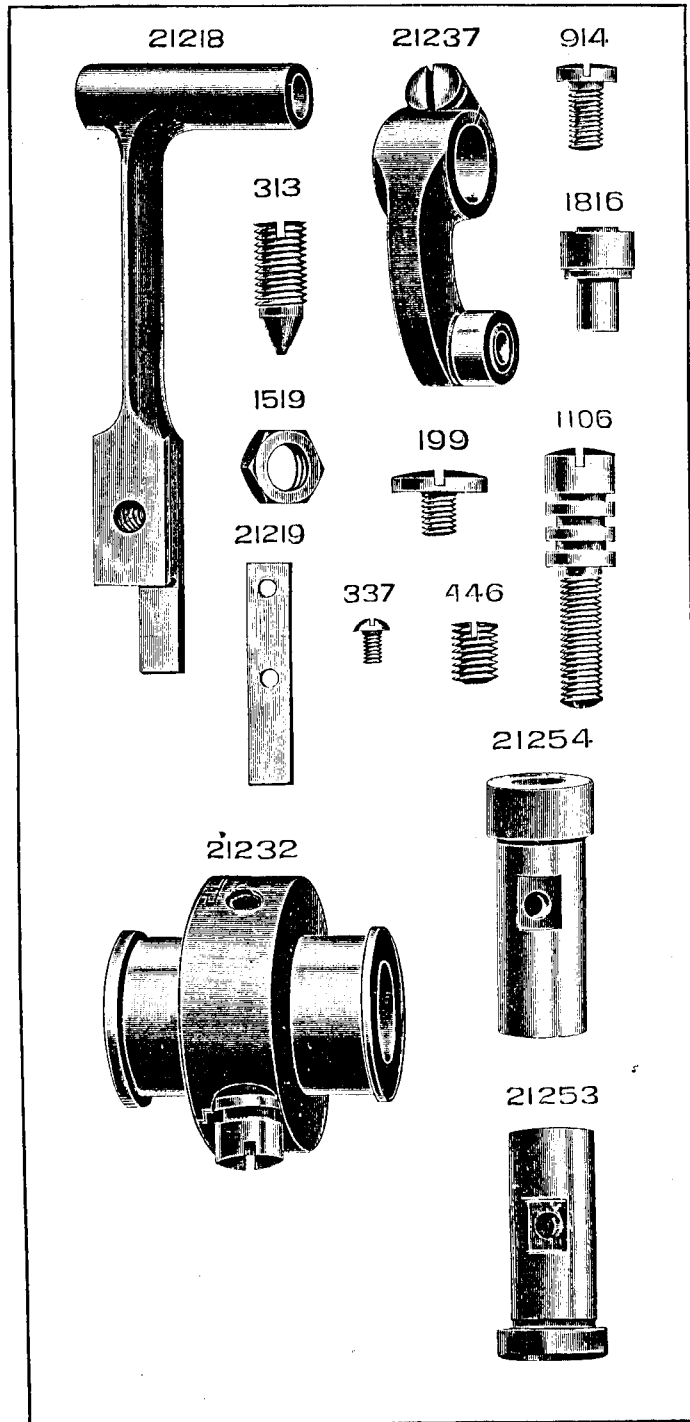


PLATE 1979—FULL SIZE

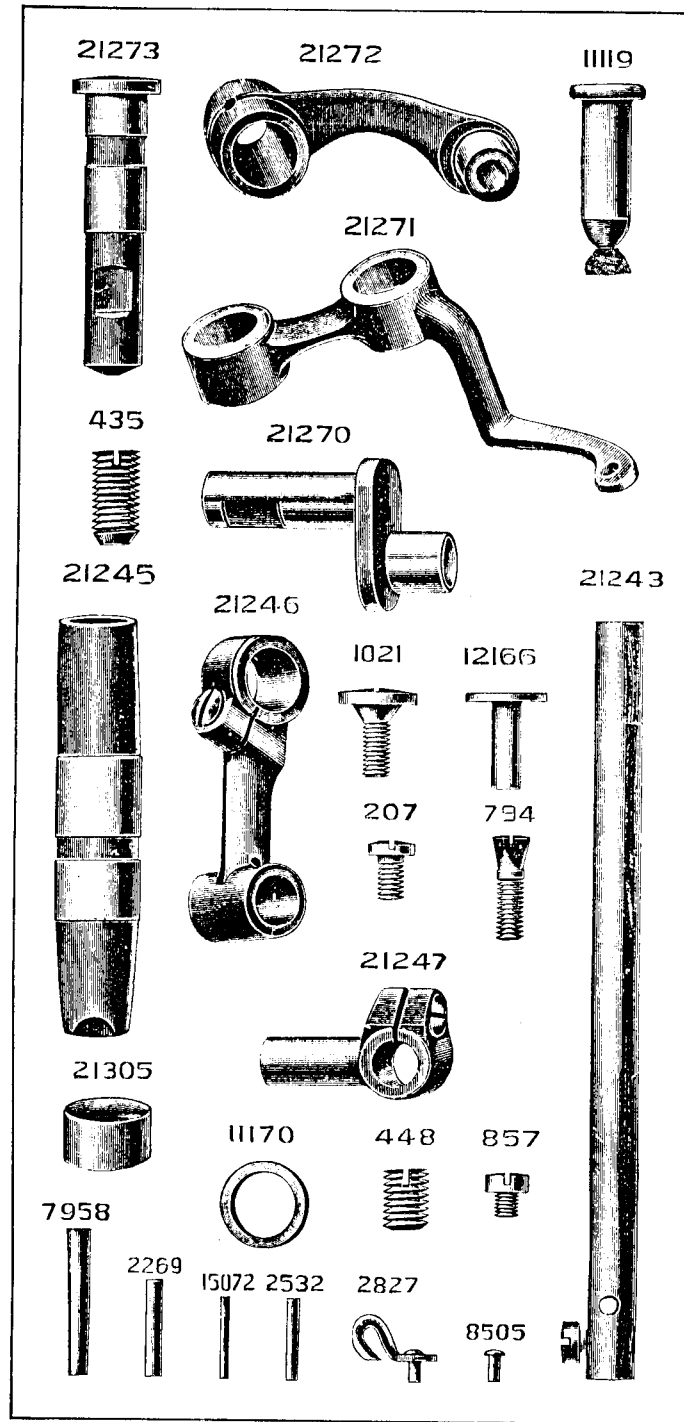


PLATE 1980—FULL SIZE

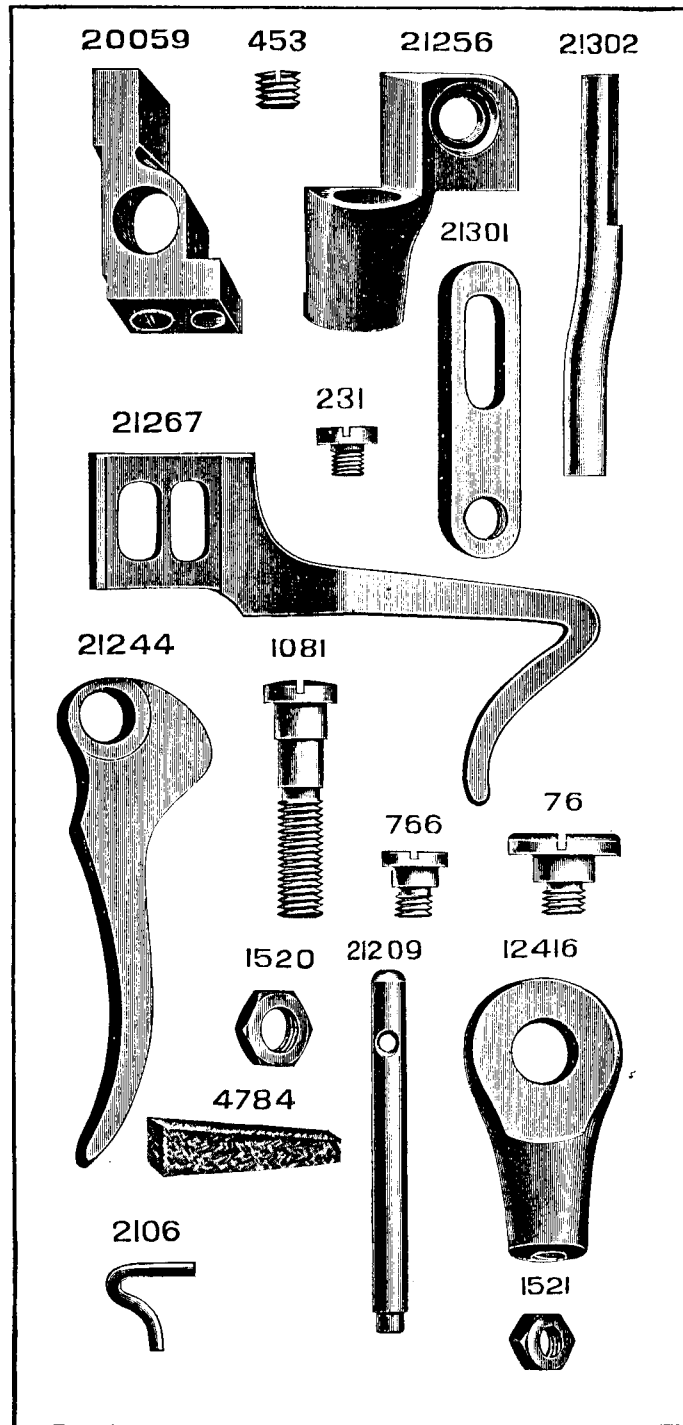


PLATE 1981—FULL SIZE

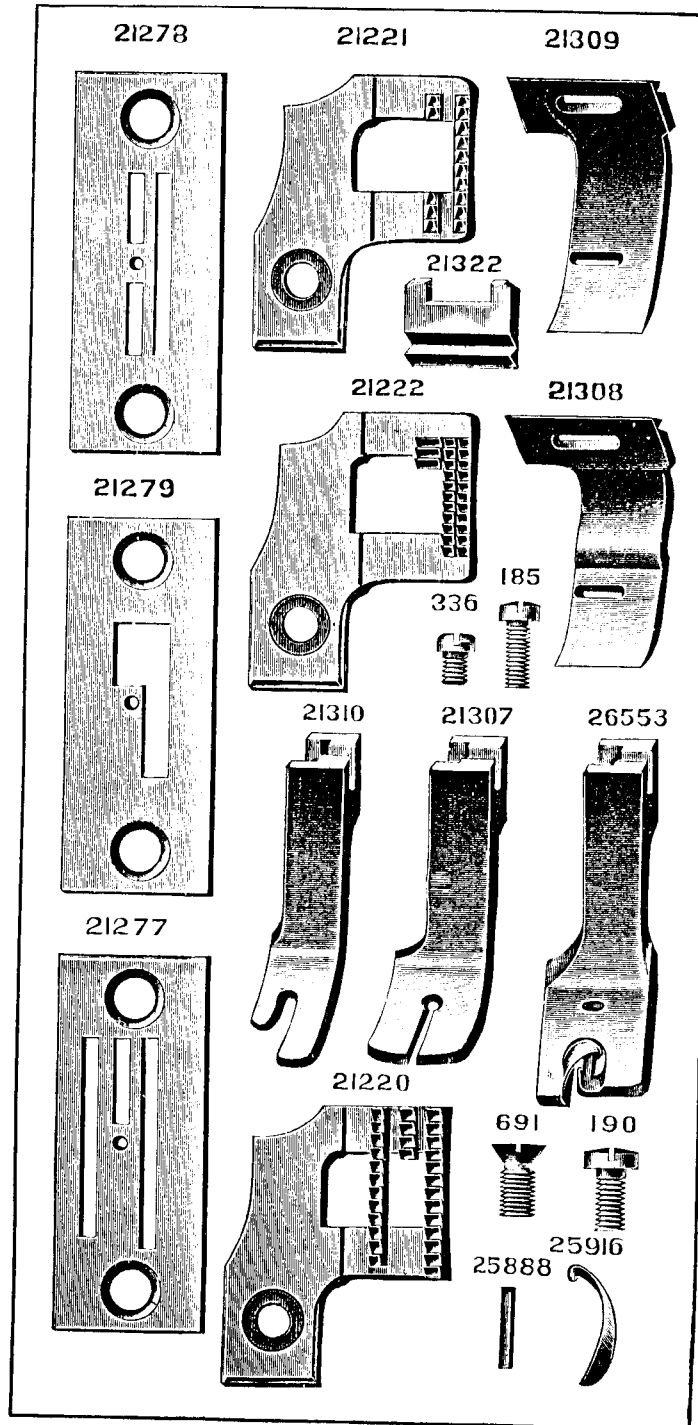
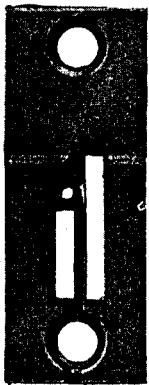
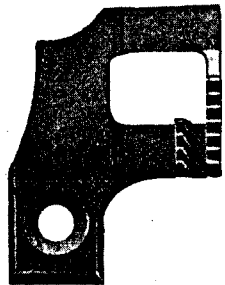


PLATE 1982—FULL SIZE

21281



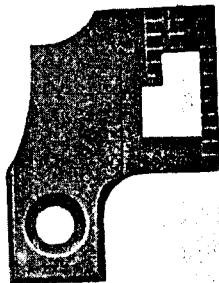
21223



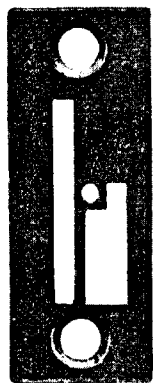
21311



21226



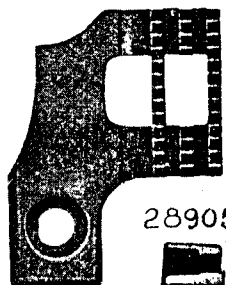
21285



21283



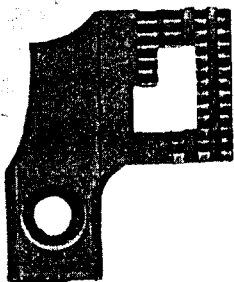
21225



665



21227



28904

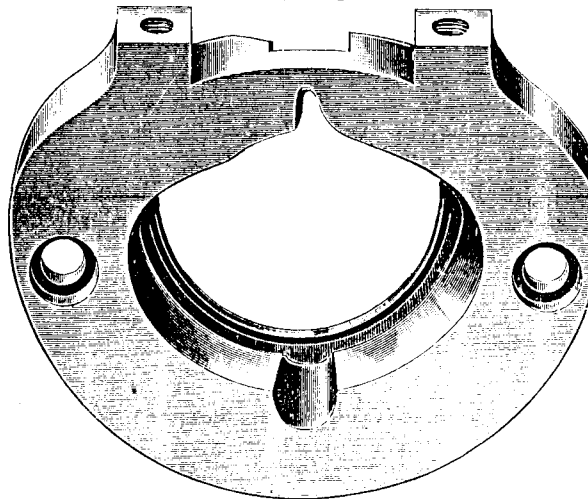


28905

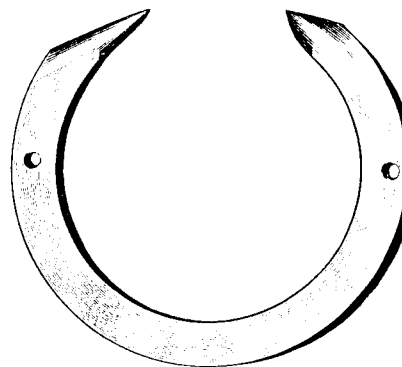


PLATE 1986—FULL SIZE

21266



15032



2533

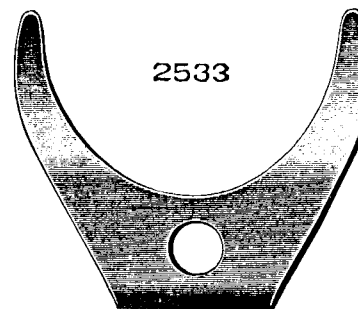


PLATE 1987—FULL SIZE

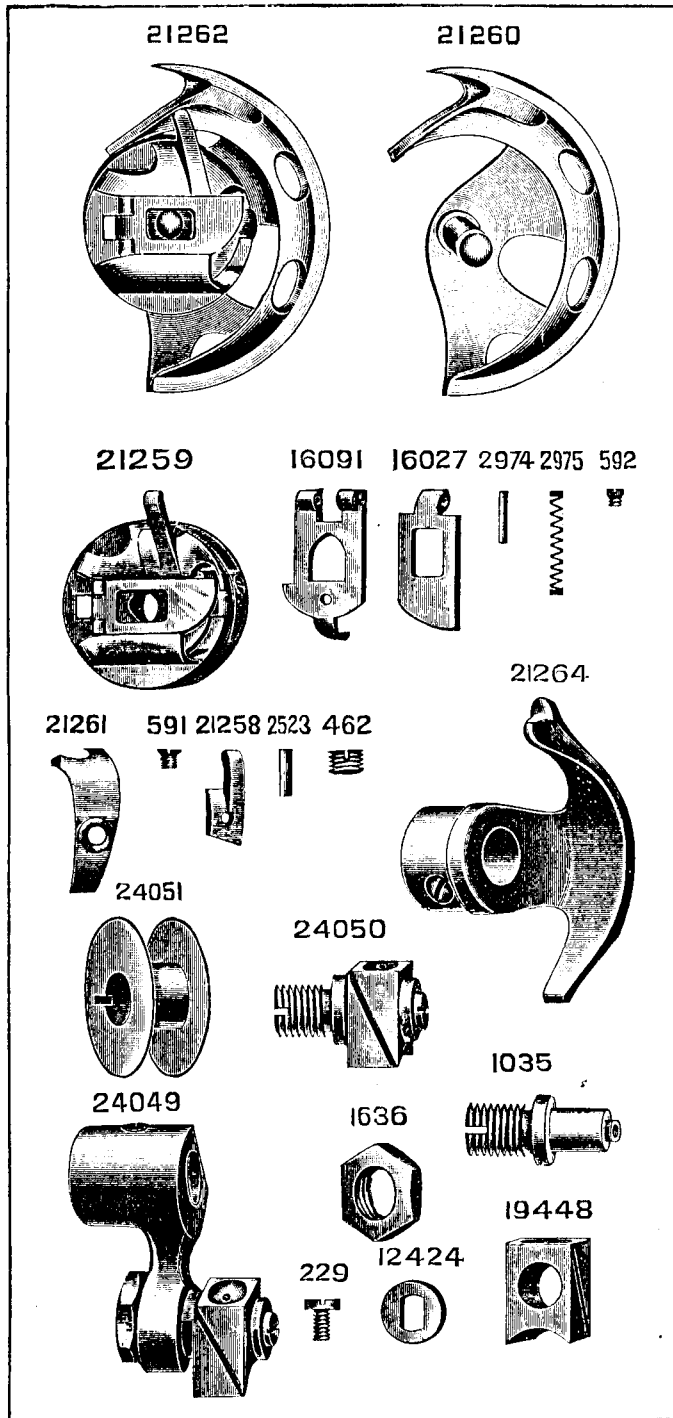


PLATE 1988—FULL SIZE

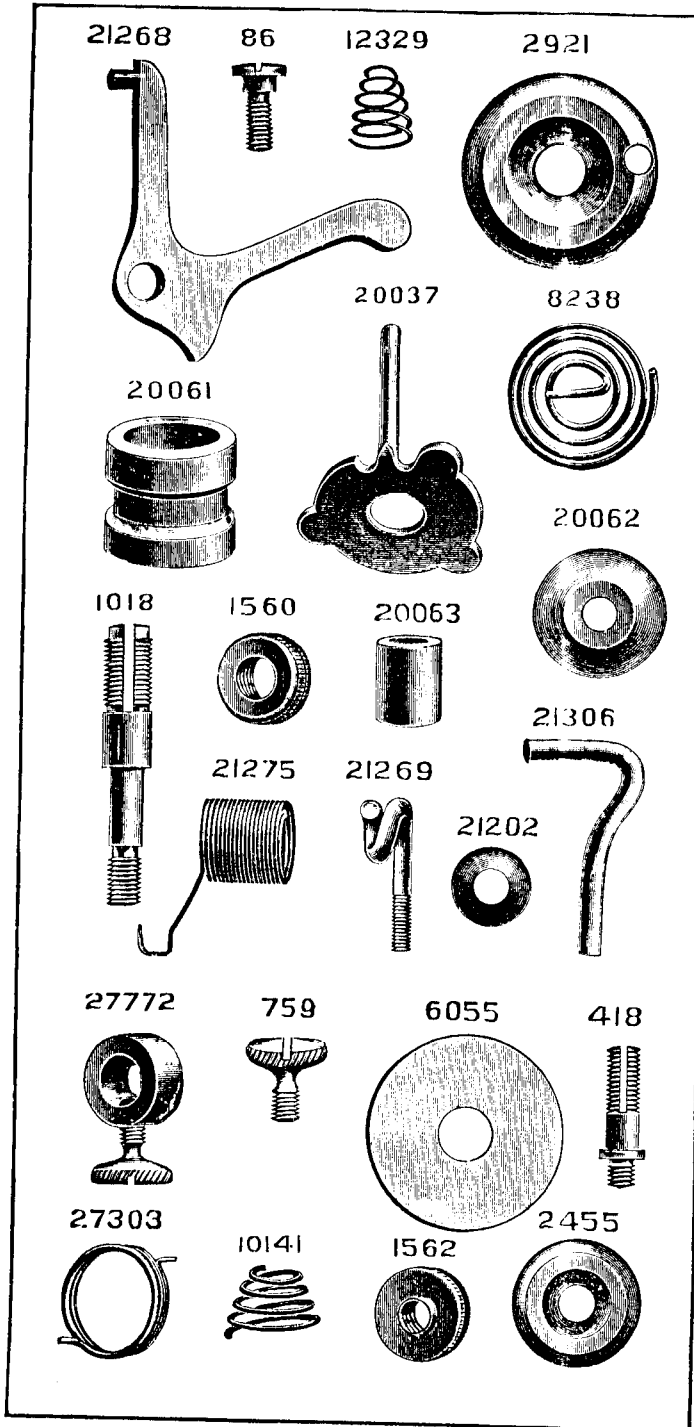


PLATE 1989—FULL SIZE

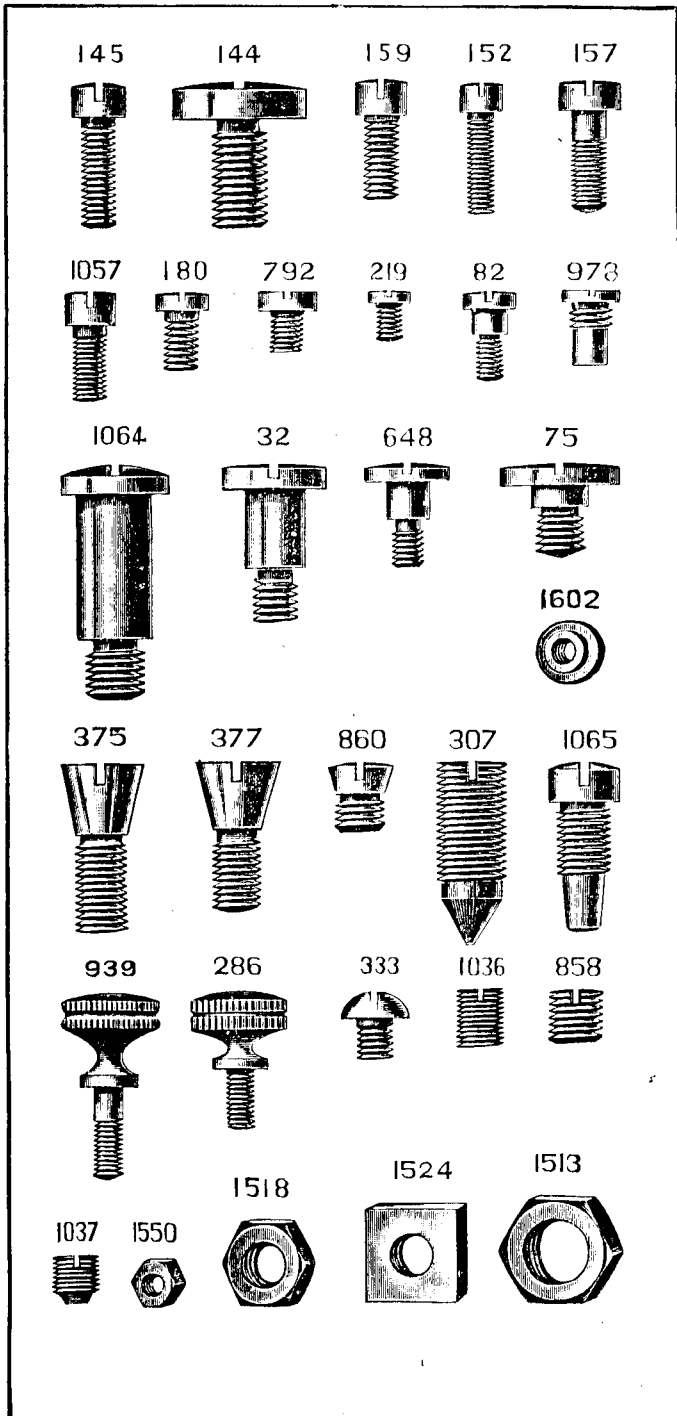


PLATE 1990—FULL SIZE

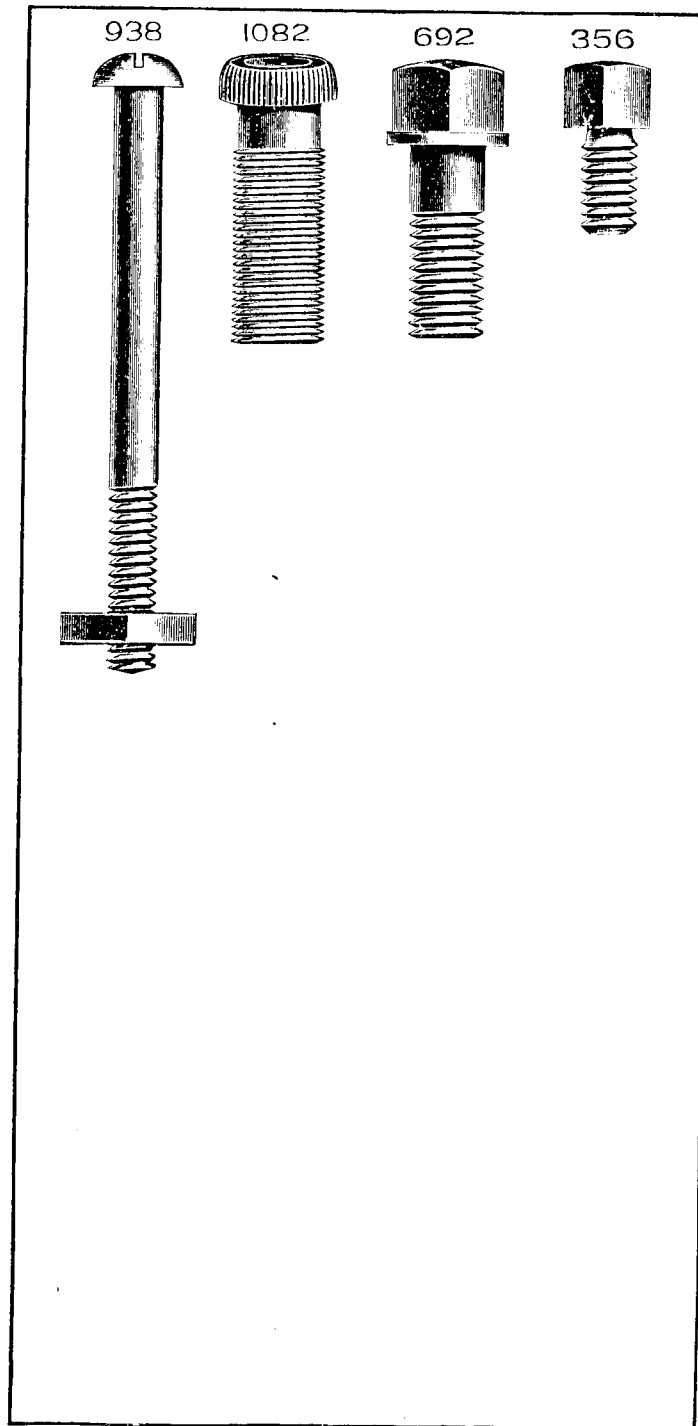


PLATE 1991—ONE-HALF SIZE

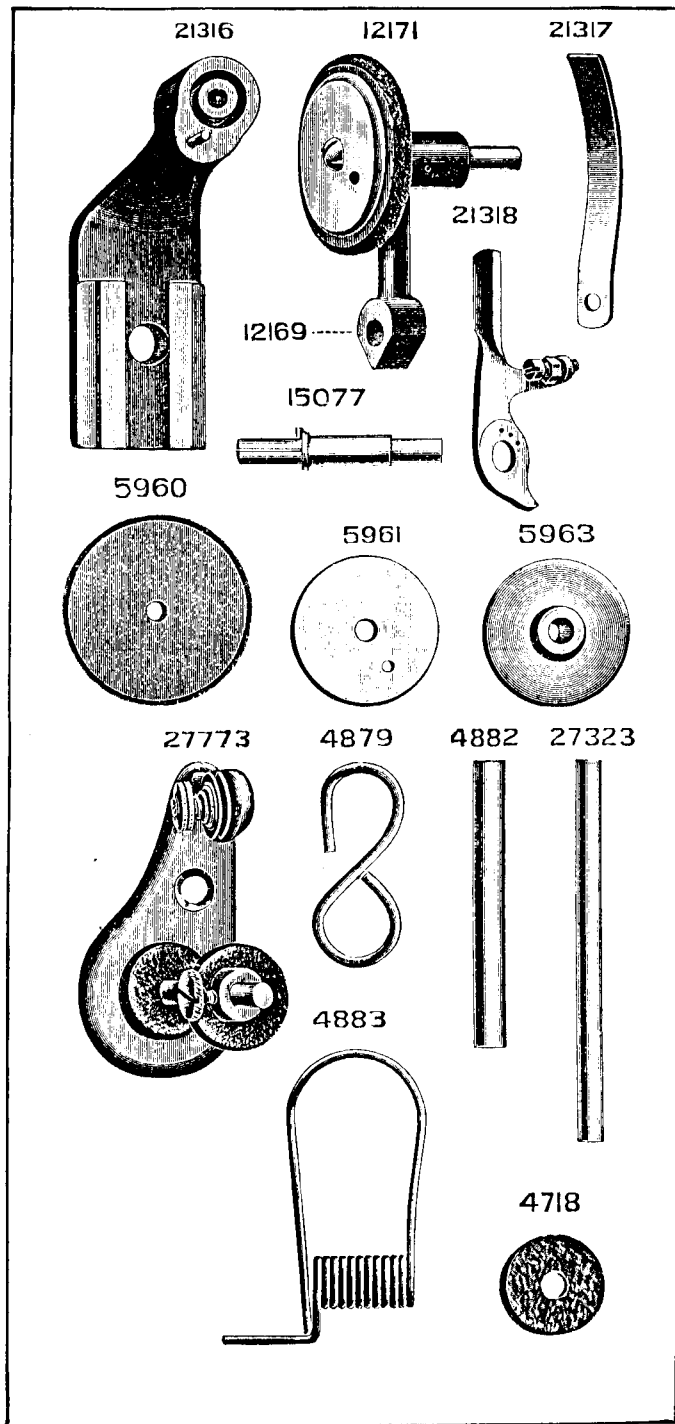


PLATE 1992—ONE-HALF SIZE

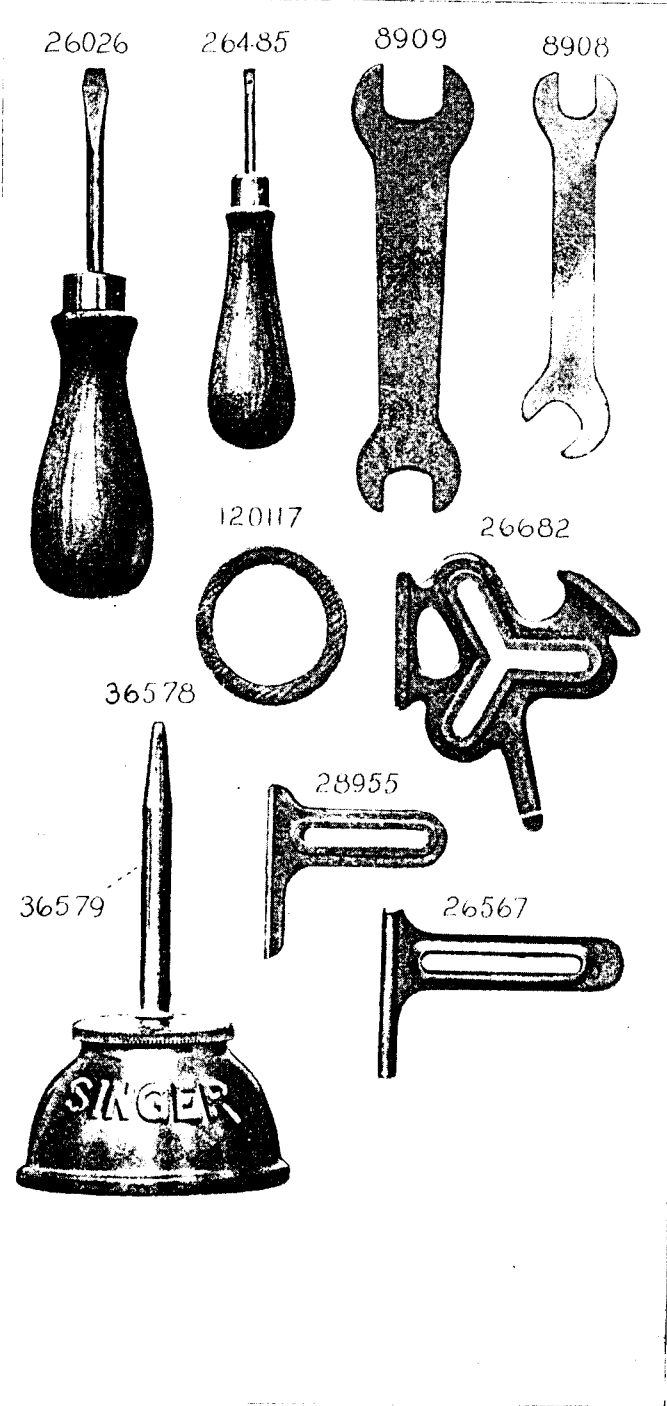


PLATE 1993—ONE-FOURTH SIZE

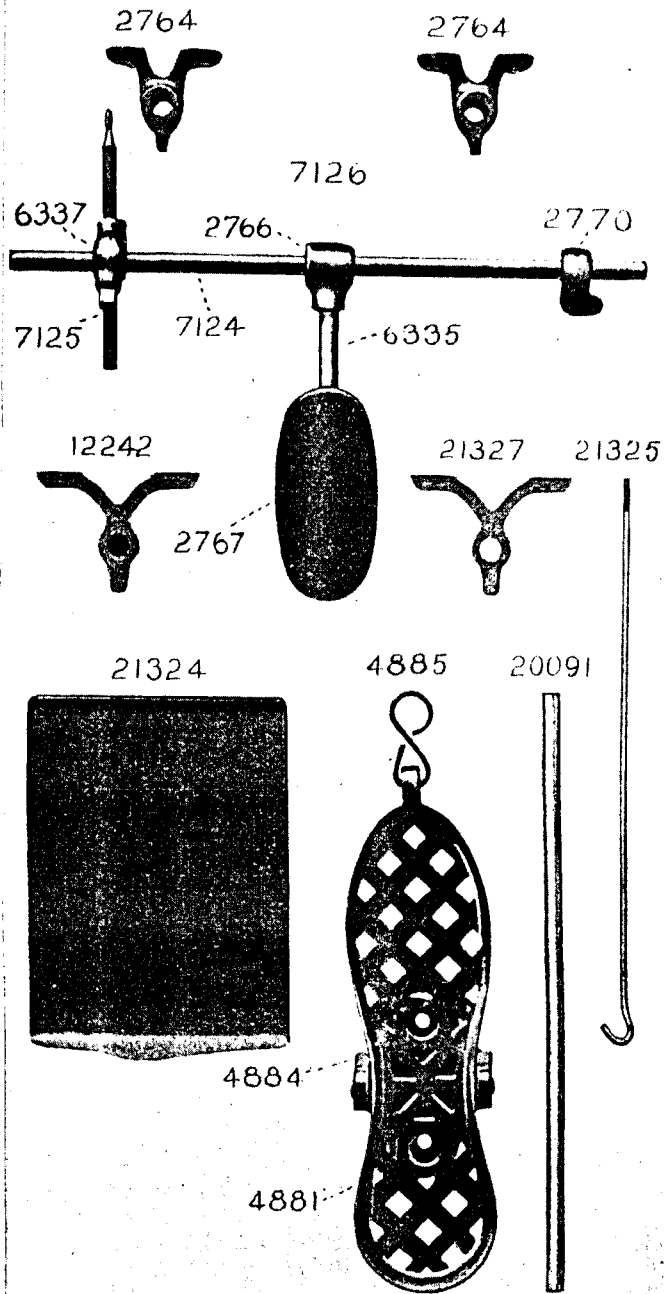


PLATE 1994—FULL SIZE

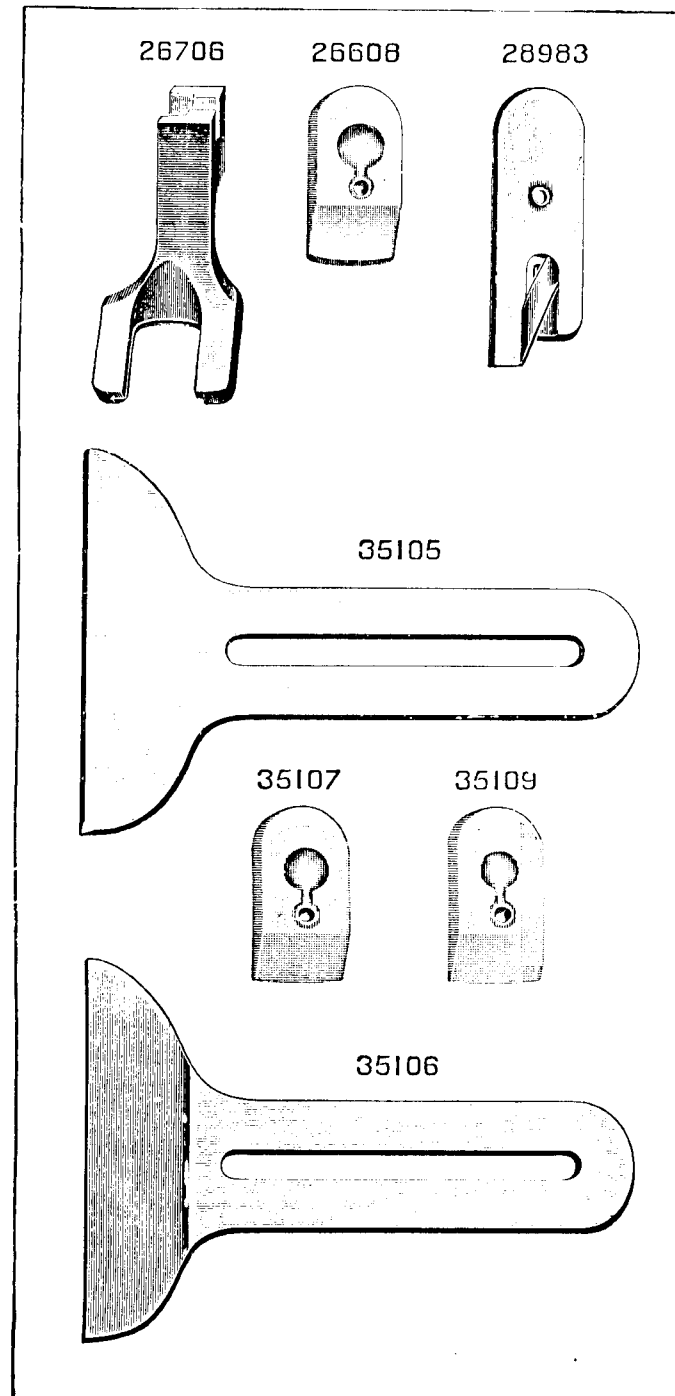


PLATE 1995—FULL SIZE

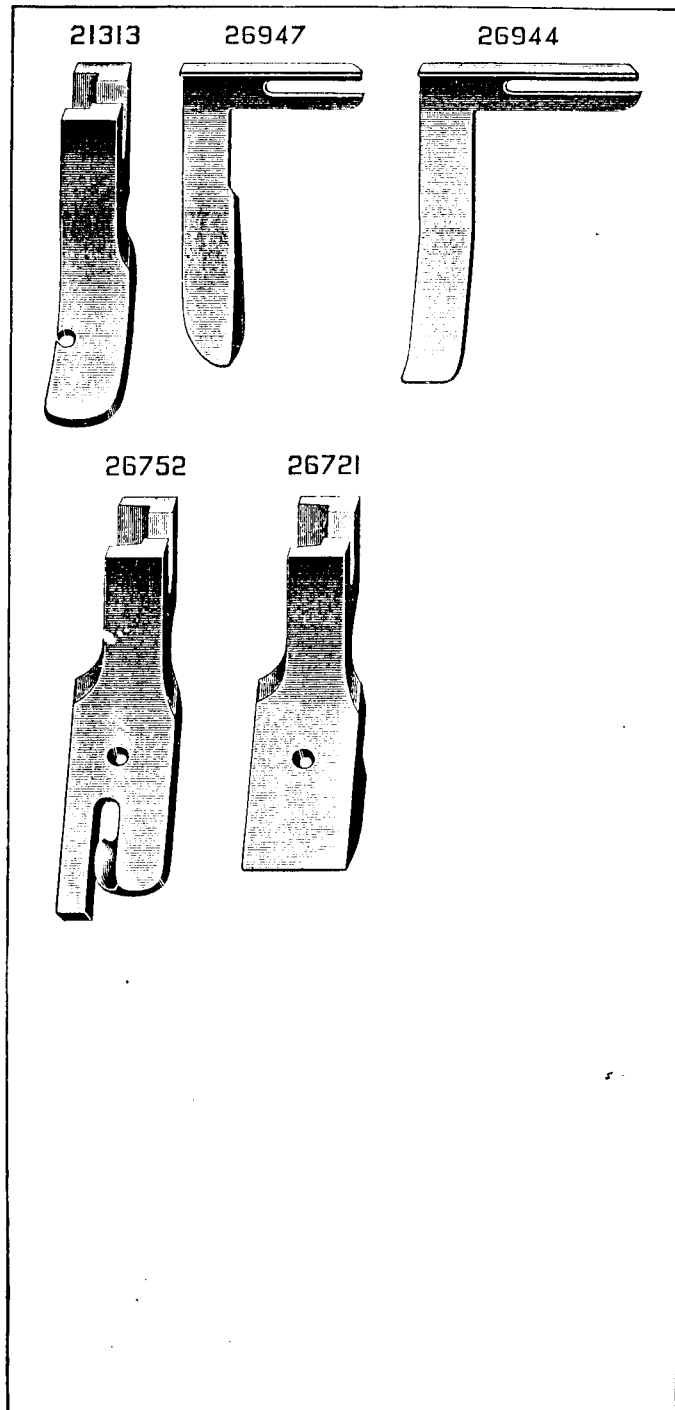


PLATE 1996—FULL SIZE

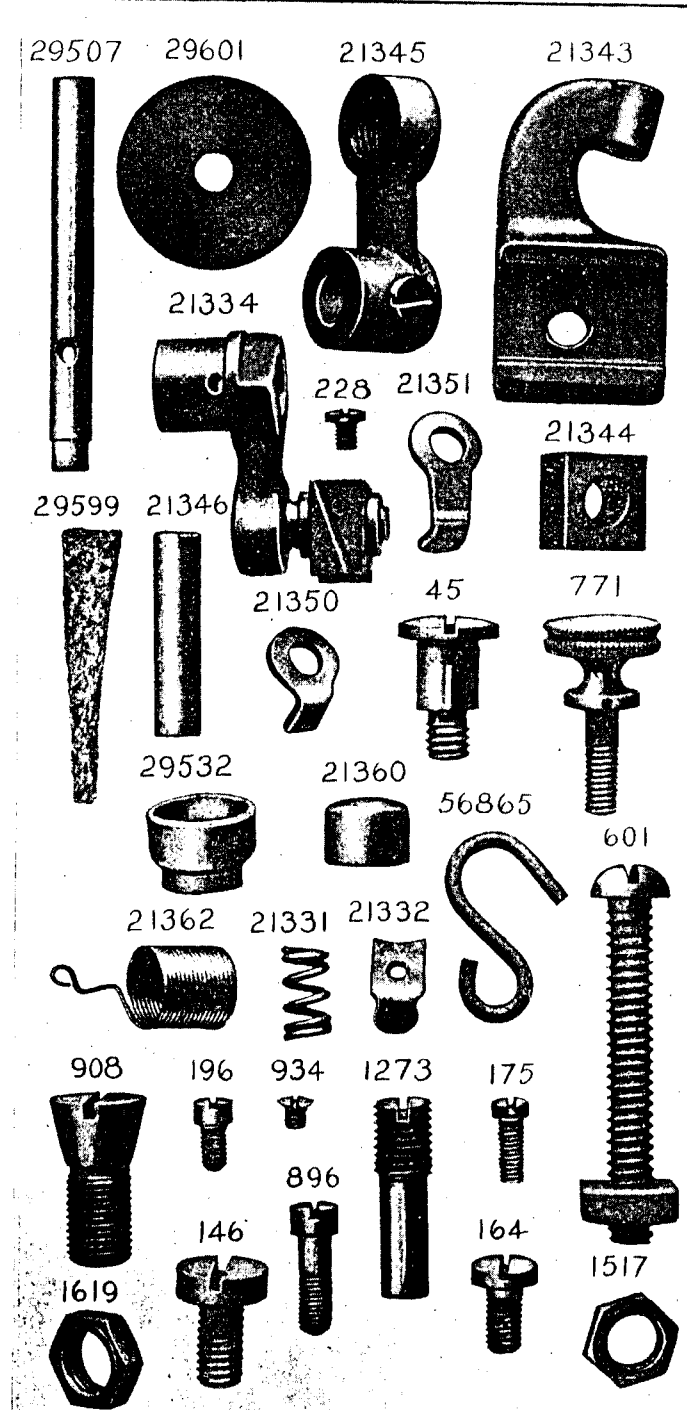
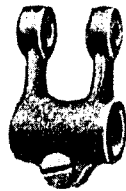


PLATE 1997—ONE-HALF SIZE

21356



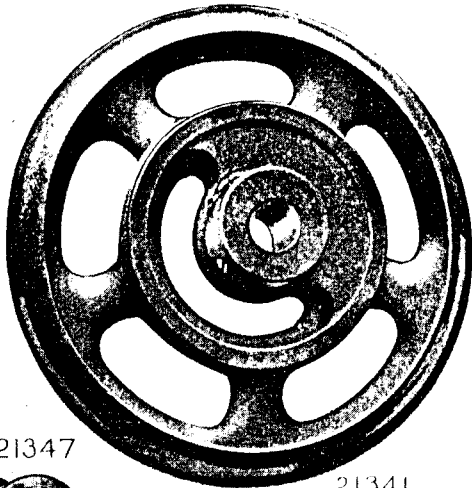
21348



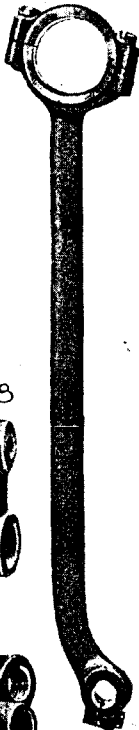
21336



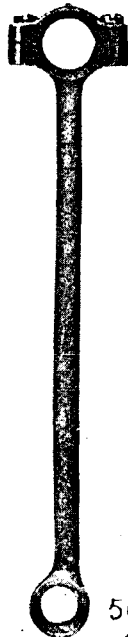
21330



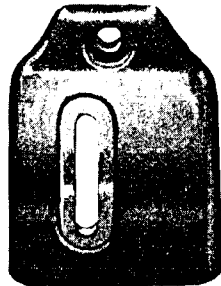
21347



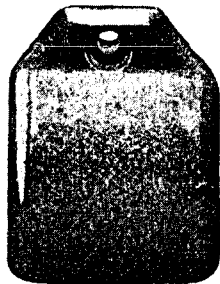
21357



21341



21349



56864



21342

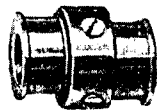
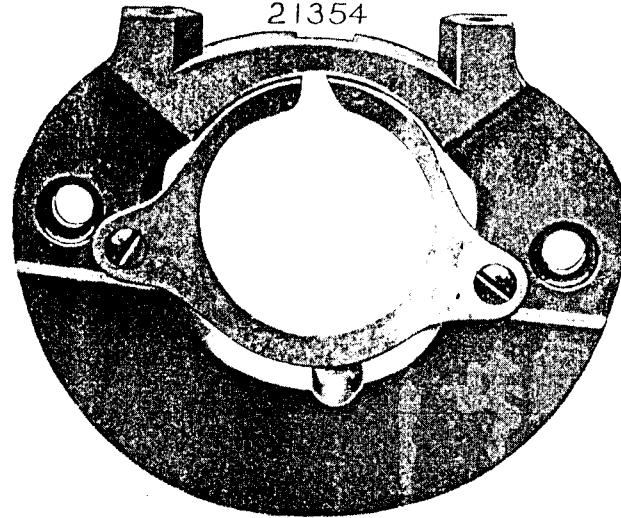
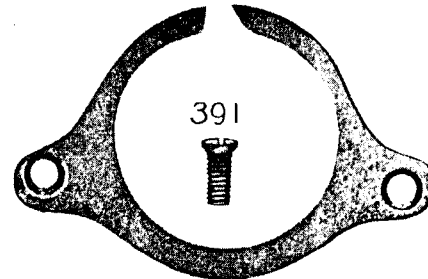


PLATE 1998—FULL SIZE

21354



21352



391



PLATE 1999—ONE-HALF SIZE

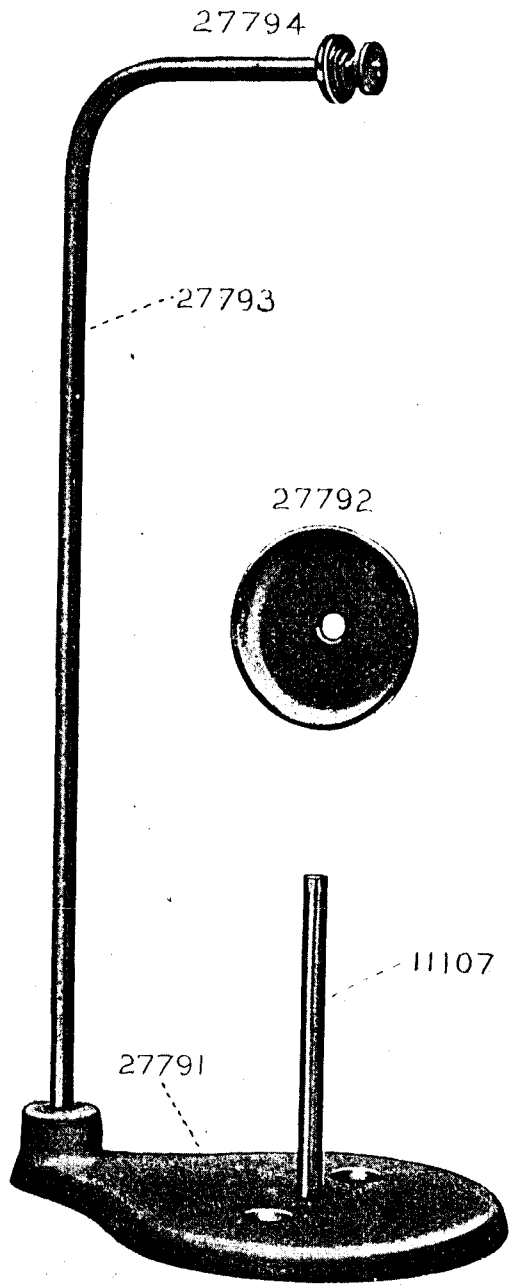


PLATE 3811—ONE-NINTH SIZE

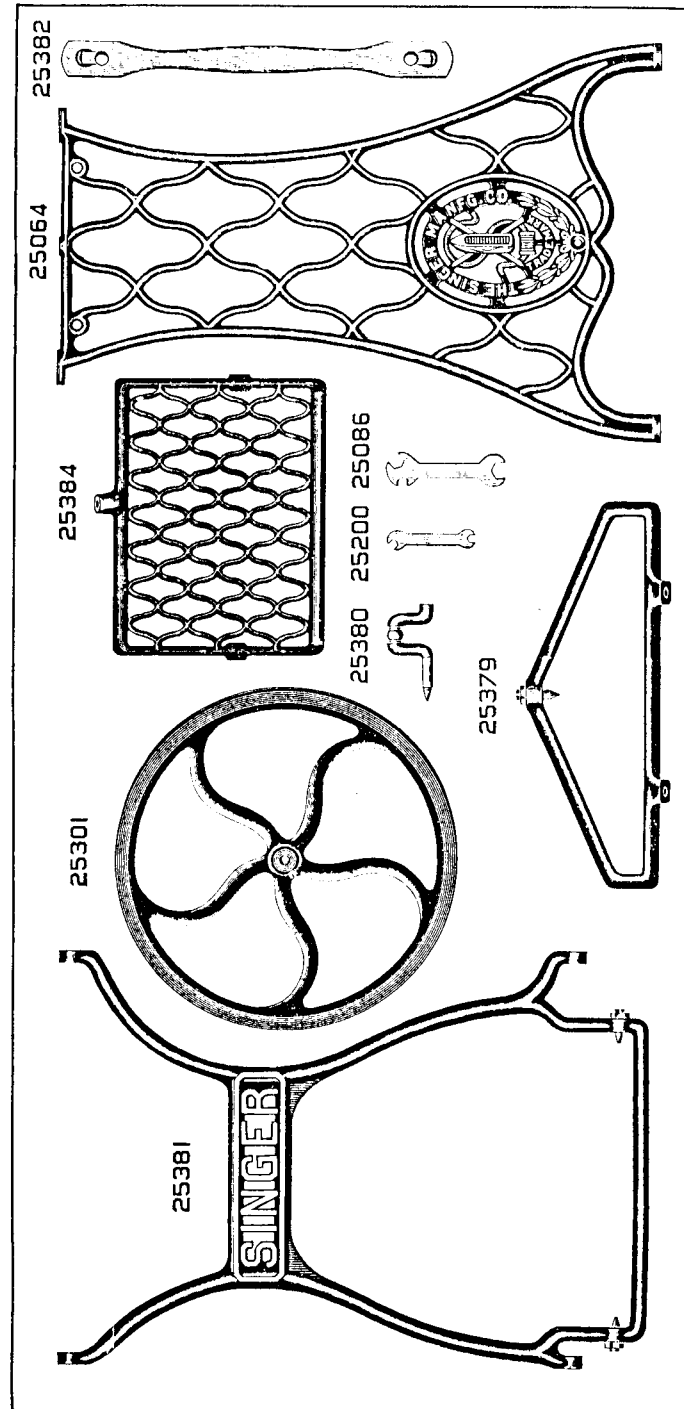


PLATE 3812—FULL SIZE

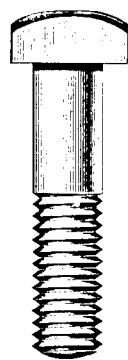
983



297



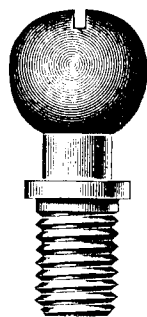
1118



558



25160



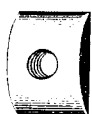
506



972



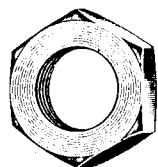
1570



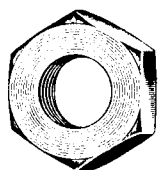
25075



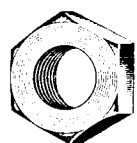
1614



1507



1510



25127

