

SINGER
99W122,W123

Form 2466w - Revised

(246)

Printed in U. S. A.

LIST OF PARTS



SINGER^{**} , MACHINES

Nos. 99w122 and 99w123

THE SINGER MANUFACTURING COMPANY

INSTRUCTIONS FOR OILING

To ensure easy running and prevent unnecessary wear of the parts which are in movable contact, the machine requires oiling and when in continuous use, "TYPE B" or "TYPE D" OIL, sold by Singer Sewing Machine Company, should be applied at least twice each day to all oil holes marked "OIL", as instructed in Form 2413w.

"TYPE D" OIL should be used when an oil is desired which will produce a minimum of stain on fabrics, even after a long period of storage.

INDEX

	Page
Accessories.....	39
Buttonhole Cutting Blocks.....	45
" " Knives.....	45
Driving Equipment.....	40
Knife Trueing Fixture.....	48
Machine No. 99w122.....	5
" " 99w123.....	37
Numerical List of Parts.....	51
Pattern Wheels.....	46
Shaft Pulleys.....	49
Thread Unwinder.....	40

INSTRUCTIONS FOR ORDERING

In ordering from this list, use ONLY the PART number in the FIRST column.

The number stamped on a Sewing Machine Part is the number of the Single Part only, except when the part includes Set Screws, Clamping Screws, Studs and Rollers Spun on, Small Wires riveted, or Parts soldered together, etc., which it is necessary to furnish in combination.

Every combination of parts sent out has its specific number which, although not stamped on Parts (except in above case), must be used when ordering the combination.

Each number always indicates the SAME PART in whatever list it appears, or for whatever Machine.

The letters after some of the numbers indicate the style of finish only, as follows:

- A-Hardened, Polished, Nickel Plated and Buffed
- AL-Heat Treated, for Toughness
- B-Polished, Nickel Plated and Buffed
- C-Hardened Only
- D-Polished Only
- E-Soft, Not Polished
- F-Hardened and Polished
- H-Blued
- J-Nickel Plated Only
- R-Meritized
- X-Black Oxide, for Iron and Steel
- XC-Hardened and Black Oxide, for Iron or Steel
- Y-Black Nickel Plated Only

These letters MUST BE USED when they appear in the list and AFTER the number, as in the list.

In this series
 1 to 1500, 200001 to 201500 and 350001 to 351500 are Screw Numbers
 1501 to 1800, 201501 to 201800 and 351501 to 351800 are Nut Numbers
 1801 to 2000, 201801 to 202000 and 351801 to 352000 are Roller Numbers
 2001 to 50000 and 202001 to 350000 are Numbers of Machine Parts

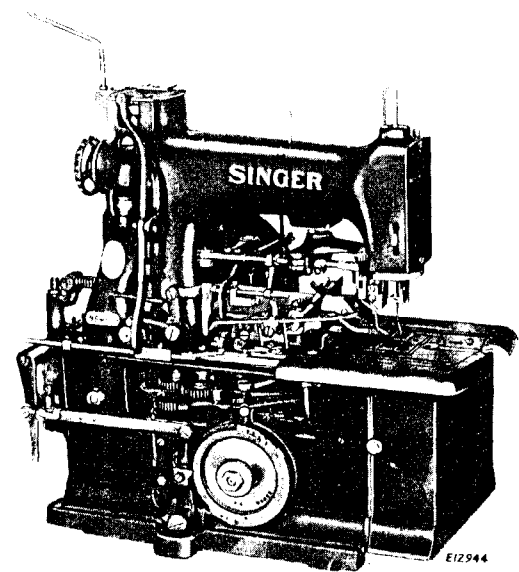
The Figures in the second column refer only to the plate in which the illustration of the part is shown and are NOT TO BE USED in ordering.

Two or more numbers over a cut indicate that the difference between such parts is not visible in an illustration.

Parts marked with an asterisk (*) are furnished only when repairs are made at the factory.

LIST OF PARTS COMPLETE

FOR



MACHINE No. 99w122

Automatic Eyelet End Buttonhole Machine, For 3/4 or 7/8 in. High Grade Taper Bar Buttonholes in Overalls, Raincoats, Uniforms, etc. Medium Travel Machine (sewing capacity 1 1/8 in.) Lays Reinforcing Cord under the Stitches on the Purl Side of the Buttonhole. Cuts the Hole AFTER Stitching.

No.	Plate	Arm	Name
*256041	-----		
204235	16348	"	Position Pin (2)
200020E	16348	"	Screw (4)
232488	16348	"	Shaft
232489	16348	"	Bevel Gear with 453AL
232244	16348	"	" " " " Position Pin
453AL	16348	"	" " " " Set Screw
232002	16348	"	Bushing (back) with 202260
232490	16348	"	" (front) with 202260
202260	16348	"	" Oil Packing (wick)

No.	Plate	Name
200100E	16348	Arm Shaft Bushing Screw (4)
232003	16348	" " Hand Wheel with two 200341C
200341C	16348	" " " " Set Screw
150D	16348	" " Screw
250002	16348	" Side Cover
200110D	16348	" " " Screw
*253602	-----	Bed with 250078,253683,255509,255511, 255512,two each 127D,40025 and eight 50168E
250009	16350	Bed End Cover
232025	16350	" " " Catch (2)
232026	16350	" " " Position Pin (2)
250010	16350	" " " Releaser (2)
204264	16350	" " " " Stop Pin (2)
200047D	16350	" " " " Screw (2)
201531H	16350	" " " " Nut (2)
250011	16350	" " " Support (left)
250012	16350	" " " " (right)
457AL	16350	" " " " Set Screw (2)
250013	16367	" Extension
250397	16367	" " Position Pin (2)
134D	16367	" " Screw (4)
250014	16402	" Shaft
255521	16402	" " Bevel Gear with two 453AL
232719	16402	" " " " Position Pin (2)
453AL	16402	" " " " Set Screw
232030	16402	" " Bushing (back) with 202260
202260	16402	" " " " Oil Packing (wick)
232821	16402	Bed Shaft Bushing (back) Oil Tube (brass)
230795	16402	Bed Shaft Bushing (back) Oil Tube Pin
350455E	16402	" " " " Screw (2)
201730E	16402	" " " " Nut (2)
250015	16402	" " " (front)
255527	16402	" " " " Oil Tube (brass)
250451	16402	" " " " " " Bracket
330D	16402	" " " " " " " Screw
232244	16402	Bed Shaft Bushing (front) Position Pin
200100E	16402	" " " " " Screw (2)
250017	16402	" " Collar with two 1258AL
1258AL	16402	" " " " Set Screw
232725	16402	Belt Guard
9D	16402	" " Screw
254002	17409	Buttonhole Cutting Block (steel) 7/8 in.(taper bar)
350111C	16351	Buttonhole Cutting Block Pinch Screw
250468	16351	" " " " " " "
		Washer
1281E	16351	Buttonhole Cutting Block Stop Screw
256043	16356	" " " Carrier Cam with 200364C
40025	16356	Buttonhole Cutting Carrier Cam Posi- tion Pin

No.	Plate	Name
200364C	16356	Buttonhole Cutting Carrier Cam Set Screw
256044	16356	Buttonhole Cutting Carrier Lever with 990D,201524E,350377C and 501860
50031C	16356	Buttonhole Cutting Carrier Lever Ad- justing Screw Stud
201711C	16356	Buttonhole Cutting Carrier Lever Ad- justing Screw Stud Nut
39541	16356	Buttonhole Cutting Carrier Lever Ad- justing Screw Stud Nut Washer
250022	16356	Buttonhole Cutting Carrier Lever Ad- justing Screw Stud Sleeve
351860	16356	Buttonhole Cutting Carrier Lever Roller
990D	16356	" " " " " "
		Cap Screw
350377C	16356	Buttonhole Cutting Carrier Lever Roller Screw Stud
201524E	16356	Buttonhole Cutting Carrier Lever Roller Screw Stud Nut
232038	16356	Buttonhole Cutting Carrier Lever Slide Block
250023	16408	Buttonhole Cutting Disengaging Lever
57C	16408	" " " " " "
		Hinge Screw
203213	16408	Buttonhole Cutting Disengaging Lever Spring
250392	16408	Buttonhole Cutting Disengaging Push Rod
2273	16408	" " " " " "
		Pin
255171	16408	Buttonhole Cutting Driving Wheel with 44C5
255544	16406	Buttonhole Cutting Driving Wheel Lock
232044	16406	" " " " " "
		Spring
200051R	16406	Buttonhole Cutting Driving Wheel Lock Spring Screw
228026	16406	Buttonhole Cutting Driving Wheel Lock Spring Screw Washer
255545	16406	Buttonhole Cutting Driving Wheel Lock Stop Plate
162D	16406	Buttonhole Cutting Driving Wheel Lock Stop Plate Screw (2)
255546	16406	Buttonhole Cutting Driving Wheel Lock Stop Plate Screw Lock Washer (2)
232150	16406	Buttonhole Cutting Driving Wheel Posi- tion Pin
446E	16406	Buttonhole Cutting Driving Wheel Set Screw
254004	17409	Buttonhole Cutting Knife (.126 x .180 eye)
250027	17409	Buttonhole Cutting Knife Adjusting Block
1100D	17409	Buttonhole Cutting Knife Adjusting Block Screw
256219	17409	Buttonhole Cutting Knife Base Plate
1485D	17409	" " " " " " Ad- justing Screw (left)

No.	Plate	Name
350459E	17409	Buttonhole Cutting Knife Base Plate Adjusting Screw (right)
1454E	17409	Buttonhole Cutting Knife Base Plate Screw
250475	17409	Buttonhole Cutting Knife Clamping Lever
350114C	17409	" " " " " "
		Hinge Screw
250030	17409	Buttonhole Cutting Knife Clamping Plate
25e218	16351	" " Lever (lower) with 251269 and 251270
250032	16405	Buttonhole Cutting Lever (lower) Cam with 453AL
40025	16405	Buttonhole Cutting Lever (lower) Cam Position Pin
453AL	16405	Buttonhole Cutting Lever (lower) Cam Set Screw
250033	16351	Buttonhole Cutting Lever (upper) with 232482, 250468, 350111C and two 232483
256222	16405	Buttonhole Cutting Lever (upper) Cam with 453AL
40025	16405	Buttonhole Cutting Lever (upper) Cam Position Pin
453AL	16405	Buttonhole Cutting Lever (upper) Cam Set Screw
*250464	16351	Buttonhole Cutting Lever Bracket with 200089D
*250465	16351	Buttonhole Cutting Lever Bracket Arm
50027E	16351	" " " " " "
		Screw
250530	16351	Buttonhole Cutting Lever Bracket complete, Nos. 250464, 250465 and two 50027E
255152	16351	Buttonhole Cutting Lever Bracket Gib (left)
250037	16351	Buttonhole Cutting Lever Bracket Gib (right)
232380	16351	Buttonhole Cutting Lever Bracket Gib Adjusting Plate (2)
219E	16351	Buttonhole Cutting Lever Bracket Gib Adjusting Plate Screw (4)
206482	16351	Buttonhole Cutting Lever Bracket Gib Adjusting Plate Screw Washer (4)
350304AL	16351	Buttonhole Cutting Lever Bracket Gib (left) Screw (3)
201176E	16351	Buttonhole Cutting Lever Bracket Gib (right) Screw (3)
250038	16351	Buttonhole Cutting Lever Hinge Stud
200089D	16351	" " " " " "
		Set Screw
251268	16351	Buttonhole Cutting Lever Spring
251269	16351	" " " " Bracket (lower)
251270	16351	Buttonhole Cutting Lever Spring Bracket (lower) Pin

No.	Plate	Name
232482	16351	Buttonhole Cutting Lever Spring Bracket (upper)
232483	16351	Buttonhole Cutting Lever Spring Bracket (upper) Pin
250039	17409	Buttonhole Cutting Pressure Wedge with 232056
*201155D	17409	Buttonhole Cutting Pressure Wedge Adjusting Screw
250538	17409	Buttonhole Cutting Pressure Wedge Adjusting Screw 201155D with 2273, 201672E, 232054 and 232055
232054	17409	Buttonhole Cutting Pressure Wedge Adjusting Screw Collar
232055	17409	Buttonhole Cutting Pressure Wedge Adjusting Screw Collar Position Pin
232466	17409	Buttonhole Cutting Pressure Wedge Adjusting Screw Lock Spring
662D	17409	Buttonhole Cutting Pressure Wedge Adjusting Screw Lock Spring Screw
201672E	17409	Buttonhole Cutting Pressure Wedge Adjusting Screw Nut
2273	17409	Buttonhole Cutting Pressure Wedge Adjusting Screw Nut Pin
232056	17409	Buttonhole Cutting Pressure Wedge Boss
232057	17409	" " " " Post with 662D and 232466
200122H	17409	Buttonhole Cutting Pressure Wedge Post Screw
256182	16405	Buttonhole Cutting Shaft
255131	16405	" " " " Hand Crank with 350289C
350290H	16405	Buttonhole Cutting Shaft Hand Crank Cap Screw
350289C	16405	Buttonhole Cutting Shaft Hand Crank Position Screw
255132	16405	Buttonhole Cutting Shaft Hand Crank Washer
256210	16405	Buttonhole Cutting Shaft Oil Packing (wick)
256220	16405	Buttonhole Cutting Shaft Pulley (loose) with 255021, 255144, 255158, 255168, two each 172D, 183C, 235404, four each 1671E, 210750, 255546 and 256221
256002	16405	Buttonhole Cutting Shaft Pulley Bushing
255168	16405	Buttonhole Cutting Shaft Pulley Oil Cup
256221	16405	Buttonhole Cutting Shaft Pulley Stud
1671E	16405	" " " " " " Nut
255546	16405	" " " " " " Lock Washer
256212	16405	Buttonhole Cutting Shaft Support Bracket
250397	16405	Buttonhole Cutting Shaft Support Bracket Position Pin (2)

No.	Plate	Name
145E	16405	Buttonhole Cutting Shaft Support Bracket Screw (2)
250042	16406	Buttonhole Cutting Starting Lever with 201085C
232718	16406	Buttonhole Cutting Starting Lever Hinge Stud
200530E	16406	Buttonhole Cutting Starting Lever Hinge Stud Set Screw
232064	16406	Buttonhole Cutting Starting Lever Latch
350148D	16406	" " " " " Hinge Screw
201551E	16406	Buttonhole Cutting Starting Lever Latch Hinge Screw Nut
232065	16406	Buttonhole Cutting Starting Lever Latch Spring
201218E	16406	Buttonhole Cutting Starting Lever Latch Spring Screw Stud (2)
200E	16406	Buttonhole Cutting Starting Lever Latch Stop Screw
250043	16406	Buttonhole Cutting Starting Lever Plate
200577AL	16406	" " " " " Screw (2)
201085C	16406	Buttonhole Cutting Starting Lever Restoring Screw Stud
250456	16408	Buttonhole Cutting Starting Lever Safety Plate
208AL	16408	Buttonhole Cutting Starting Lever Safety Plate Screw (2)
250044	16406	Buttonhole Cutting Starting Lever Spring
350105E	16406	Buttonhole Cutting Starting Lever Spring Screw Stud
250045	16408	Buttonhole Cutting Trip Lever with 460AL
250046	16408	Buttonhole Cutting Trip Lever Bracket
232154	16408	" " " " " Position Pin (2)
161D	16408	Buttonhole Cutting Trip Lever Bracket Screw (2)
2049	16408	Buttonhole Cutting Trip Lever Position Pin
250047	16408	Buttonhole Cutting Trip Lever Safety Lever with 237F
232343	16408	Buttonhole Cutting Trip Lever Safety Lever Position Pin
237F	16408	Buttonhole Cutting Trip Lever Safety Lever Set Screw
460AL	16408	Buttonhole Cutting Trip Lever Set Screw
253684	16408	" " " " Shaft
253685	16408	" " " " Spring
201432C	16408	" " " " Screw Stud
1521E	16408	" " " " " Nut
255062	16408	" " " " " Shim (.010 in. thick)
255063	16408	Buttonhole Cutting Trip Screw Stud Shim (.025 in. thick)

No.	Plate	Name
254056	16417	Cord Leader and Tension
254057	16417	" Nipper
254058	16417	" " " Arm with 201984
205592	16417	" " " Position Pin
203E	16417	" " " Set Screw
253611	16417	" " " Bracket
232310	16417	" " " Position Pin
171E	16417	" " " Screw (2)
350212E	16417	" " " Hinge Screw
201883	16417	" " " Roller
201984	16417	" " " 201883 with 201235C
201235C	16417	" " " Screw Stud
253612	16417	" " " Spring
865D	16417	" " " Screw
*756004	-----	Driving Wheel (loose)
255559	16402	" " " with 200383C
256561	16402	" " " 256004 with 250163 and 250398
256007	16402	Driving Wheel Clutch Stud (made in .211, .212, .213, .214 and .215 in. diam., state size required)
255560	16402	Driving Wheel Clutch Stud Retainer (back)
255561	16402	Driving Wheel Clutch Stud Retainer (front)
145E	16402	Driving Wheel Clutch Stud Retainer Screw
1528E	16402	Driving Wheel Clutch Stud Retainer Screw Nut
8873	16402	Driving Wheel Position Pin
200383C	16402	" " " Set Screw
256224	16402	" " " Stop Cam with 145E, 1528E, 255560 and 255561
255563	16402	Driving Wheel Stop Cam Oil Pad
251025	16402	" " " " Position Collar with 1036AL
1036AL	16402	Driving Wheel Stop Cam Position Collar Set Screw
250417	16402	Driving Wheel Stop Cam Spring
232520	16348	Face Plate
641D	16348	" " " Screw (2)
232521	17410	Feed Adjusting Gear
250052	17410	" " " " Bracket
250053	17410	" " " " " Clamping Post
690D	17410	Feed Adjusting Gear Bracket Clamping Post Screw (2)
350113C	17410	Feed Adjusting Gear Bracket Clamping Screw
250473	17410	Feed Adjusting Gear Bracket Clamping Screw Washer
201428C	17410	Feed Adjusting Gear Screw Stud
1518J	17410	" " " " " Nut
250704	16368	" Driving Gear (intermediate) with 457AL

No.	Plate	Name
232721	16368	Feed Driving Gear (intermediate) Position Pin
457AL	16368	Feed Driving Gear (intermediate) Set Screw
250055	16368	Feed Driving Gear (intermediate) Shaft
256601	17410	" Wheel with three 232382
250057	17410	" " Driving Pawl (3)
201385C	17410	" " " " Hinge Screw (3)
250058	17410	" " " " Spring (3)
232382	17410	" " " " Pin
1449H	17410	" " " " Screw (3)
350071E	17410	" " Friction Ring Adjusting Screw
201522E	17410	" " " " " "
		Lock Nut
232131	17410	Feed Wheel Friction Ring Adjusting Screw Washer (2)
250059	16408	Feed Wheel Friction Ring Bracket
200070C	16408	" " " " " Screw (2)
250060	17410	" " " " Section (long)
250061	17410	" " " " " (short)
232135	17410	" " " " Spring
256045	17410	" " Ring
256046	17410	" " " Gib (3)
209F	17410	" " " " Screw (6)
201362C	17410	" " Screw Stud
250418	17414	Finger Starting Lever with 250435 and 250436
250419	17414	Finger Starting Lever Hinge Block
350080D	17414	" " " " " Hinge Screw
250420	16408	Finger Starting Lever (intermediate)
255080	16408	" " " " Bracket with 208AL and 991C
208AL	16408	Finger Starting Lever (intermediate) Bracket Pinch Screw
158E	16408	Finger Starting Lever (intermediate) Bracket Screw
72D	16408	Finger Starting Lever (intermediate) Hinge Screw
646F	16408	Finger Starting Lever (intermediate) Operating Stud
251292	16408	Finger Starting Lever (intermediate) Operating Stud Collar with 646F
2273	16408	Finger Starting Lever (intermediate) Operating Stud Collar Position Pin
200097C	17414	Finger Starting Lever Screw
228026	17414	" " " " Washer
251518	17414	" " " " Spring
250435	17414	" " " " Stud (back)
250436	17414	" " " " (front)
232539	16368	Intermittent Feed Driving Wheel with two 465C
*256047	16368	Intermittent Feed Driving Wheel Bracket
232244	16368	" " " " " " Position Pin (2)
129E	16368	Intermittent Feed Driving Wheel Bracket Screw (4)

No.	Plate	Name
250589	16368	Intermittent Feed Driving Wheel Driving Stud
204648	16368	Intermittent Feed Driving Wheel Driving Stud Position Pin
232541	16368	Intermittent Feed Driving Wheel Position Pin
465C	16368	Intermittent Feed Driving Wheel Set Screw
232542	16368	Intermittent Feed Driving Wheel Shaft
250705	16368	" " " " " " Gear with 465C
232721	16368	Intermittent Feed Driving Wheel Shaft Gear Position Pin
465C	16368	Intermittent Feed Driving Wheel Shaft Gear Set Screw
253615	16422	Loop Retainer (left)
256049	16422	" " " " Carrier
256050	16422	" " (right)
256051	16422	" " " " Carrier
250068	16422	" " Adjusting Block (2)
256052	16402	" " Cam with 447E
40025	16402	" " " " Position Pin
447E	16402	" " " " Set Screw
250070	16422	" " Carrier Link (2)
201431C	16422	" " " " " Screw (4)
250071	16422	" " " " Shaft
250072	16422	" " " " Collar
735E	16422	" " " " Set Screw
256008	16422	" " Driving Bar
201726C	16422	" " " " Adjusting Nut (3)
256009	16422	Loop Retainer Driving Bar Adjusting Nut Washer (2)
201728C	16422	Loop Retainer Driving Bar Lock Nut
350388H	16422	" " " " Screw (2)
250491	16422	" " " " Washer (2)
250074	16422	" " Shim (.005 in. thick)
250449	16422	" " " (.010 in. thick)
250450	16422	" " " (.020 in. thick)
250537	16422	" " " (.030 in. thick)
256010	16402	" " Slide with 201943
250076	16402	" " " " Gib (lower) (2)
250077	16402	" " " " (upper) (2)
190D	16402	" " " " Screw (6)
*250078	16402	" " " " Guide Extension
40025	16402	" " " " " " Position Pin
127D	16402	Loop Retainer Slide Guide Extension Screw
201896	16402	Loop Retainer Slide Roller
201943	16402	" " " " " " 201896 with 250429
250429	16402	Loop Retainer Slide Roller Stud
256053	16422	Looper Bracket with 735E
253472	16422	" (non-threaded)
252507	16422	" (threaded)
201722C	16422	" Bracket Adjusting Nut

No.	Plate	Name
201722C	16422	Looper Bracket Adjusting Nut Locking Nut
254060	16424	Looper Bracket Chip Guard
401D	16424	" " " " Screw (3)
256570	16423	" " " " Wiper (leather)
254062	16423	" " " " Bracket
217D	16423	" " " " " Screw
254063	16423	" " " " Clamping Plate
233D	16423	" " " " Screw
256571	16423	" " " " Support
256572	16423	Looper Bracket Chip Wiper complete, Nos. 254062, 254063, 256570, two each 233D and 256571
23421	16422	Looper Bracket Dogging Hole Plug (leather)
232555	16422	Looper Bracket Rotating Gear with 906E
250084	16422	" " " " Position Pin
906E	16422	Looper Bracket Rotating Gear Set Screw
250085	16422	" " Carrier
201433C	16422	" " Hinge Screw
250086	16422	" " Link
201099C	16422	" " " Hinge Screw (2)
256011	16422	" " Driving Bar
201727C	16422	" " " Adjusting Nut (4)
256012	16422	" " " " Washer (2)
256013	16424	Looper Driving Connection with 1120C
1120C	16424	" " " Set Screw
250089	16424	" " " Slide Rod
250090	16424	" " " " Bushing (lower)
250091	16424	Looper Driving Connection Slide Rod Bushing (upper)
256015	16424	Looper Driving Crank
256016	16424	" " " Bushing
200089E	16424	" " " " Screw (2)
256017	16424	" " " Link
250094	16424	" " " Gear with 735E
250095	16424	" " " " Position Pin
735E	16424	" " " " Set Screw
199C	16424	" " " Link Cap Screw
350278C	16424	" " " " Hinge Screw
250097	16424	" " " Disc
256014	16424	" " " Bearing
51311E	16424	" " " " Screw (3)
350365C	16424	" " " Cap Screw
*250098	16424	" " " Gear
176D	16424	" " " " Screw (3)
201898	16402	" " " Roller
201953	16402	" " " 201898 with 201144E and 250099 (2)
201144E	16402	Looper Driving Roller Cap Screw
250099	16402	" " " Stud
*256551	16424	" " Frame
250462	16424	" " Chip Guard

No.	Plate	Name
232866	16424	Looper Frame Position Pin (2)
201982E	16424	" " " Screw (3)
190D	16422	" " " Screw (2)
250101	16422	" " " Washer (2)
232870	17415	" " Thread and Cord Clamping Spring (long)
232271	17415	Looper Thread and Cord Clamping Spring (short)
200196B	17415	Looper Thread and Cord Clamping Spring Screw
232272	17415	Looper Thread and Cord Cutter
200196B	17415	" " " " Screw
256054	16424	" " " Controller
256055	16424	" " " Bracket (adjustable)
1423F	16424	Looper Thread Controller Bracket (adjustable) Screw (2)
217D	16424	Looper Thread Controller Screw (2)
18859	16424	" " " Guide
254109	16423	" " " Pull-off (adjustable)
254111	16423	Looper Thread Pull-off complete, Nos. 1056F, 250444, 254109 and 254110
254110	16423	Looper Thread Pull-off Bracket
254069	16423	" " " " Stop
703E	16423	" " " " " Screw
254070	16423	" " " " Cam Plate
202F	16423	" " " " " Screw (2)
1550J	16423	" " " " " " Nut (2)
68D	16423	Looper Thread Pull-off Hinge Screw
253622	16423	" " " " Pawl
1449H	16423	" " " " Hinge Screw
253623	16423	" " " " Spring
1056F	16423	" " " " Screw
250444	16423	" " " " Washer
254112	16423	" " " " Spring
32012	16424	" " " Tension Disc (2)
254065	16424	" " " " Guard
256213	16415	" " " " Releaser
253531	16415	" " " " Lever
350224E	16415	" " " " " Hinge Screw
253532	16415	Looper Thread Tension Releaser Lever Rod
253535	16415	Looper Thread Tension Releaser Lever Rod Collar with 237F (2)
237F	16415	Looper Thread Tension Releaser Lever Rod Collar Set Screw
251170	16415	Looper Thread Tension Releaser Lever Spring
1550J	16415	Looper Thread Tension Releaser Nut
7071	16415	" " " " " Washer
253534	16365	Looper Thread Tension Releaser Operating Cam Block with 219F
219F	16365	Looper Thread Tension Releaser Operating Cam Block Set Screw

No.	Plate	Name
253533	16415	Looper Thread Tension Releaser Operating Lever with 237F
237F	16415	Looper Thread Tension Releaser Operating Lever Set Screw
232515	16424	Looper Thread Tension Spring
1043C	16424	" " " Stud
190D	16424	" " " Set Screw
1560C	16424	" " " Thumb Nut
232516	16426	" " Tube (brass)
251622	16426	" " " Bracket (2)
190D	16426	" " " Screw (2)
32012	16426	Lower Cord Tension Disc (2)
232515	16426	" " " Spring
637C	16426	" " " Stud
1560C	16426	" " " Thumb Nut
232516	16426	" " Tube (brass)
254071	16426	" " " (vertical)
250451	16426	" " " Bracket
217D	16426	" " " Screw
250105	16348	Needle Bar Driving Crank with 200394C and two 200382C
40025	16348	Needle Bar Driving Crank Position Pin
200394C	16348	" " " Set Screw
256183	16416	" Driving Bar with 620C
232177	16416	" " " Bushing
232176	16416	" " " Collar with 200083E
200083E	16416	" " " Pinch Screw
232178	16348	" " " Link
232709	16348	" " " Hinge Stud with 222598
222598	16348	Needle Driving Bar Link Hinge Stud Oil Packing (wick)
200382C	16348	Needle Driving Bar Link Hinge Stud Set Screw
250108	16348	Needle Driving Bar Swivel with 248821
248821	16348	" " " Oil Packing (wick)
256057	16422	Needle Guard
230E	16422	" " Screw
230E	16422	" " " (support end)
256180	16416	" Holder with 906F
201482D	16416	" Gauge Plate Adjusting Screw
250112	16416	" " " Block
201734C	16416	" " " Adjusting Nut
256227	16416	Needle Holder Gauge Plate Block Bushing
181D	16416	Needle Holder Gauge Plate Block Bushing Screw (3)
256059	16416	Needle Holder Gauge Plate Body
256060	16416	" " " Center Plate (for narrow bight)
350379D	16416	Needle Holder Gauge Plate Clamping Screw

No.	Plate	Name
1550J	16416	Needle Holder Gauge Plate Clamping Screw Nut
200118F	16416	Needle Holder Gauge Plate Screw (2)
256061	16416	" " " Shim
256064	16416	" " " Side Plate (left)
256062	16416	Needle Holder Gauge Plate Side Plate (right)
256063	16416	Needle Holder Gauge Plate (for narrow bight) complete, Nos. 256059, 256060, 256062, 256064, two each 1550J, 256061 and 350379D
208AL	16416	Needle Holder Screw (2)
256181	16416	" " Slide
256068	16416	" " Lever with 256069 and 351861
350147C	16416	Needle Holder Slide Lever Hinge Screw
351861	16416	" " " Roller
256069	16416	" " " Stud
256203	16416	" " " Stud
350416E	16416	" " " Screw
256204	16416	" " " Washer
256184	16416	Needle Holder Slide Stud
620C	16416	" " " Set Screw
256228	16416	" Rotating Gear
250118	16416	" " " Key
906F	16416	" Set Screw
256562	17412	" Thread End Removing Finger (movable)
256563	17412	Needle Thread End Removing Finger (stationary)
256564	17412	Needle Thread End Removing Finger Bracket
253632	16417	Needle Thread End Removing Finger Cam Plate (adjustable)
190D	16417	Needle Thread End Removing Finger Cam Plate (adjustable) Screw (2)
7071	16417	Needle Thread End Removing Finger Cam Plate (adjustable) Screw Washer (2)
254072	16417	Needle Thread End Removing Finger Cam Plate (stationary)
164D	16417	Needle Thread End Removing Finger Cam Plate (stationary) Screw (2)
250958	17412	Needle Thread End Removing Finger Hinge Pin
256566	17412	Needle Thread End Removing Finger Opening Lever
256567	17412	Needle Thread End Removing Finger Opening Lever Crank with 735C
2273	17412	Needle Thread End Removing Finger Opening Lever Crank Position Pin
735C	17412	Needle Thread End Removing Finger Opening Lever Crank Set Screw

PARTS FOR MACHINE No. 99w122

No.	Plate	Name
218E	17412	Needle Thread End Removing Finger Screw
253638	17412	Needle Thread End Removing Finger Spring
256629	17413	Needle Thread Guide
232792	17413	" " Leader
1664E	17413	" " Nut
256630	17413	" " Nipper with 208AL
256631	17413	" " Lever
99C	17413	" " Hinge Screw
208AL	17413	" " Set Screw
256632	17413	" " Spring
256633	17413	" " Bushing (lower)
256634	17413	" " " (upper)
253473	17413	" " Pull-off
256200	17413	" " (adjustable)
253474	17413	" " Guide
1550J	17413	" " (adjustable) Lock Nut
350196D	17413	Needle Thread Pull-off Screw Stud with 237F
1550J	17413	Needle Thread Pull-off Screw Stud Nut
7071	17413	" " " " " " Washer
237F	17413	Needle Thread Pull-off Set Screw
253715	16416	" " Retaining Spring
253716	16416	" " " " Guard
240D	16416	" " " " Screw
256070	17413	" " Take-up with 201374E and 201937
256072	17413	Needle Thread Take-up Bracket
256073	17413	" " " " Cover
1423F	17413	" " " " Screw (4)
250399	17413	Needle Thread Take-up Bracket Position Pin (2)
161D	17413	Needle Thread Take-up Bracket Screw (3)
256074	17413	" " " " Cam with two 457AL
232721	17413	" " " " Position Pin
457AL	17413	" " " " Set Screw
256075	17413	" " " " Shaft
232673	17413	" " " " Gear with two 448AL
40025	17413	Needle Thread Take-up Cam Shaft Gear Position Pin
448AL	17413	Needle Thread Take-up Cam Shaft Gear Set Screw
350268C	17413	Needle Thread Take-up Hinge Screw
201873	17413	" " " " Roller
201937	17413	" " " " 201873 with 201144E and 232686
201144E	17413	Needle Thread Take-up Roller Cap Screw
232686	17413	" " " " Stud
201374E	17413	" " " " Cap Screw
256071	17413	Needle Thread Take-up Thread Guide

PARTS FOR MACHINE No. 99w122

No.	Plate	Name
255126	16348	Needle Vibrating Bell Crank
250142	16348	" " " " Connection
*38444	-----	" " " " " End Bearing (back)
38446	16348	Needle Vibrating Bell Crank Connection End Bearing 38444 with 42524, 50016C and two 175E
50016C	16348	Needle Vibrating Bell Crank Connection End Bearing (back) Ball Screw Stud
1636E	16348	Needle Vibrating Bell Crank Connection End Bearing (back) Ball Screw Stud Nut
*42524	-----	Needle Vibrating Bell Crank Connection End Bearing (back) Cap
175E	16348	Needle Vibrating Bell Crank Connection End Bearing (back) Cap Screw
1698C	16348	Needle Vibrating Bell Crank Connection End Bearing (back) Check Nut
*38443	-----	Needle Vibrating Bell Crank Connection End Bearing (front)
250143	16348	Needle Vibrating Bell Crank Connection End Bearing 38443 with 42525, 201449C and two 175E
201449C	16348	Needle Vibrating Bell Crank Connection End Bearing (front) Ball Screw
*42525	-----	Needle Vibrating Bell Crank Connection End Bearing (front) Cap
175E	16348	Needle Vibrating Bell Crank Connection End Bearing (front) Cap Screw
1697C	16348	Needle Vibrating Bell Crank Connection End Bearing (front) Check Nut
350282C	16348	Needle Vibrating Bell Crank Hinge Screw
256202	16368	" " Lever with 202423
256079	16368	" " " " Hinge Stud
443C	16368	" " " " " Set Screw
202423	16368	Needle Vibrating Lever Oil Packing (wick)
256178	16416	Needle Vibrating Ring with 462AL
232421	16416	" " " " Guide Stud
200083E	16416	" " " " " Set Screw
232343	16416	Needle Vibrating Ring Position Pin
462AL	16416	" " " " Set Screw
256179	16416	" " " " Rod
250146	16416	" " " " Guide with 1230E
232343	16416	" " " " Position Pin
1230E	16416	" " " " Set Screw
256080	16416	" " " " Switch
200308D	16416	" " " " Hinge Screw
254025	17416	Pattern Wheel for 7/8 in. Taper Bar (large eye) Buttonhole, bar adjustable from 1/8 to 1/4 in., with 256205 and two 205D
201668E	16426	Pattern Wheel Clamping Nut
256205	17416	" " " " Position Plate
205D	17416	" " " " " Screw

PARTS FOR MACHINE No. 99w122

19

No.	Plate	Name
1423F	17413	Needle Thread Take-up Thread Guide Screw (2)
32012	17413	Needle Thread Tension Disc (2)
991C	16412	" " " Releasing Adjusting Screw
1550J	16412	Needle Thread Tension Releasing Adjusting Screw Nut
256076	17413	Needle Thread Tension Releasing Arm
974F	17413	" " " " Hinge Screw
256189	16412	Needle Thread Tension Releasing Block with 200E
200E	16412	Needle Thread Tension Releasing Block Set Screw
32572	17413	Needle Thread Tension Releasing Disc
256215	16412	" " " " Lever
255010	16412	" " " " Bracket
200346C	16412	Needle Thread Tension Releasing Lever Bracket Adjusting Screw
145E	16412	Needle Thread Tension Releasing Lever Bracket Screw (lower)
200062H	16412	Needle Thread Tension Releasing Lever Bracket Screw (upper)
256216	16412	Needle Thread Tension Releasing Lever Extension
161D	16412	Needle Thread Tension Releasing Lever Extension Adjusting Screw
226163	16412	Needle Thread Tension Releasing Lever Extension Adjusting Screw Washer
176D	16412	Needle Thread Tension Releasing Lever Extension Screw
35D	16412	Needle Thread Tension Releasing Lever Hinge Screw
255011	16412	Needle Thread Tension Releasing Lever Spring
39635	17413	Needle Thread Tension Releasing Pin
256190	16412	" " " " Rod
256191	16412	" " " " Bracket
190D	16412	Needle Thread Tension Releasing Rod Bracket Screw (2)
256020	16412	Needle Thread Tension Releasing Rod Plate
792D	16412	Needle Thread Tension Releasing Rod Plate Screw (2)
208AL	16412	Needle Thread Tension Releasing Rod Screw
350399C	17413	Needle Thread Tension Stud
256185	17413	" " " Spring
1560C	17413	" " " Thumb Nut
250140	16348	" Vibrating Adjusting Link
741C	16348	" " " " Hinge Screw
350076C	16348	Needle Vibrating Adjusting Stud
1671C	16348	" " " " Nut
39532	16348	" " " " Sleeve

PARTS FOR MACHINE No. 99w122

21

No.	Plate	Name
250148	16426	Pattern Wheel Position Stud
250372	17416	" " " Rapid Feed Trip Point
203E	17416	" " " " " Screw
250617	17416	" " " Ring (adjustable)
255307	17416	" " " 250617 with 252662, 252663, two each 211E and 250444
252662	17416	Pattern Wheel Ring Adjusting Segment (curved rise)
252663	17416	Pattern Wheel Ring Adjusting Segment (straight drop)
211E	17416	Pattern Wheel Ring Adjusting Segment Screw
250444	17416	Pattern Wheel Ring Adjusting Segment Screw Washer
391D	17416	Pattern Wheel Ring Screw
254026	17416	Pattern Wheel, for 7/8 in. Taper Bar (large eye) Buttonhole, bar adjustable from 1/8 to 1/4 in. complete. Nos. 254025, 255307, two each 203E, 250372 and three 391D
251298	16426	Pattern Wheel Shaft with 250148
253645	16426	" " " Bevel Gear with 168D, 253656, 253657, three 253658 and four 1454E
40025	16426	Pattern Wheel Shaft Bevel Gear Position Pin
168D	16426	Pattern Wheel Shaft Bevel Gear Set Screw
250151	16426	Pattern Wheel Shaft Bushing (left)
145E	16426	" " " " " Screw (2)
250152	16426	Pattern Wheel Shaft Bushing (right)
647E	16426	" " " " " Screw (2)
232600	16426	Pattern Wheel Shaft Collar with two 453AL
453AL	16426	Pattern Wheel Shaft Collar Set Screw
250154	16426	Rapid Feed Clutch Disengaging Lever (3)
253481	16426	Rapid Feed Clutch Disengaging Sleeve
250156	16426	" " " Driving Disc
1230F	16426	" " " " " Screw (4)
201897	16426	" " " Roller (3)
255095	16426	" " " " Carrier with 624E
40025	16426	Rapid Feed Clutch Roller Carrier Position Pin
624E	16426	Rapid Feed Clutch Roller Carrier Set Screw
250153	16426	Rapid Feed Clutch Roller Retainer (3)
208AL	16426	" " " " " Screw (3)
255096	16426	Rapid Feed Clutch Roller Spring (3)
255097	16426	" " " " " Guide Pin (3)
250158	16367	Rapid Feed Crank Shaft
250159	16367	" " " " Bushing (back)

No.	Plate	Name
250160	16367	Rapid Feed Crank Shaft Bushing (back) Oil Tube (lower) (brass)
250495	16367	Rapid Feed Crank Shaft Bushing (back) Oil Tube (upper) (brass)
250161	16367	Rapid Feed Crank Shaft Bushing (front)
436C	16367	" " " " " Set Screw (2)
232600	16367	Rapid Feed Crank Shaft Collar with two 453AL
453AL	16367	Rapid Feed Crank Shaft Collar Set Screw
250452	16367	Rapid Feed Crank Shaft Gear with 458C
232719	16367	" " " " " Position Pin
458C	16367	Rapid Feed Crank Shaft Gear Set Screw
202260	16367	" " " " " Oil Packing (wick) (2)
250163	16402	Rapid Feed Driving Gear
250398	16402	" " " " " Key
250164	16364	" " " " " Gear Guard
641D	16364	" " " " " Screw (2)
256223	16364	" " " " " Intermediate Gear (bronze)
201447C	16364	" " " " " Screw Stud
1510E	16364	" " " " " " " " Nut
250167	16364	Rapid Feed Intermediate Gear Screw Stud Nut Washer
250405	16364	Rapid Feed Intermediate Gear Screw Stud Washer
253536	16367	Rapid Feed Pawl Bell Crank with 202299
11C	16367	" " " " " Hinge Screw
202299	16367	" " " " " Oil Packing (wick)
250171	16367	Rapid Feed Pawl Bell Crank Slide Block Section (2)
250172	16367	Rapid Feed Pawl Guide
181D	16367	" " " " " Screw (2)
350260C	16367	" " " " " Hinge Screw
1655E	16367	" " " " " Nut
252266	16372	" " " " " Slide Bar
250174	16372	" " " " " Bushing (left)
145E	16372	" " " " " " " Screw (2)
250175	16372	Rapid Feed Slide Bar Bushing (right)
647E	16372	" " " " " " " Screw (2)
252269	16372	Rapid Feed Slide Bar Collar with 448AL
40025	16372	" " " " " Position Pin
448AL	16372	" " " " " Set Screw
256065	16372	" " " " " Fork Connection with 889AL
253538	16372	Rapid Feed Slide Bar Fork Connection Extension Plate
176D	16372	Rapid Feed Slide Bar Fork Connection Extension Plate Screw (2)
350321E	16372	Rapid Feed Slide Bar Fork Connection Position Screw

No.	Plate	Name
889AL	16372	Rapid Feed Slide Bar Fork Connection Set Screw
350385C	16372	Rapid Feed Slide Bar Fork Connection Screw Stud
252306	16367	Rapid Feed Slide Bar Lock
252271	16367	" " " " " Block
232055	16367	" " " " " " Position Pin
704E	16367	Rapid Feed Slide Bar Lock Block Screw
350762E	16367	" " " " " Hinge Screw
250409	16367	" " " " " Spring
1241E	16372	" " " " " " Screw Eye
250194	16367	Rapid Feed Slide Bar Lock Trip
56C	16367	" " " " " " Hinge Screw
252273	16372	Rapid Feed Slide Bar Spring
350293E	16372	" " " " " " Cap Screw
252274	16372	" " " " " " Washer
250180	16421	" " " " " Starting Latch
199C	16421	" " " " " Cap Screw
201446C	16421	" " " " " Hinge Screw Stud
250181	16421	Rapid Feed Starting Lever with 1454E " " " " " (operated by stop motion) with 704C, 1454E, 203213 and 255054
255053	16421	" " " " " " Hinge Screw
255064	16421	Rapid Feed Starting Lever Latch
350256C	16421	" " " " " " Hinge Screw
255092	16421	Rapid Feed Starting Lever Latch Spring
217E	16421	" " " " " " " Screw
7071	16421	Rapid Feed Starting Lever Latch Spring Screw Washer
253512	16421	Rapid Feed Starting Lever Latch Stop Washer
193D	16421	Rapid Feed Starting Lever Latch Stop Washer Screw
1330C	16407	Rapid Feed Starting Lever Operating Screw Stud
201445E	16421	Rapid Feed Starting Lever Position Screw (2)
1454E	16421	Rapid Feed Starting Lever Set Screw
250185	16421	" " " " " Shaft
250186	16421	" " " " " " Collar (left) with 200113F
204197	16421	Rapid Feed Starting Lever Shaft Collar (right) with 200113F
200113F	16421	Rapid Feed Starting Lever Shaft Collar Set Screw
250409	16421	Rapid Feed Starting Lever Spring
1241E	16421	" " " " " " Screw Eye
255054	16421	Rapid Feed Starting Lever Stud
704C	16421	" " " " " " Set Screw

No.	Plate	Name
203213	16421	Rapid Feed Starting Lever Stud Spring
253537	16367	" " " Pawl
256177	16367	" " " Oiling Pad (felt)
181D	16367	" " " " " Screw
9525	16367	" " " " " Washer
250188	16367	Rapid Feed Starting Pawl Spring
201454E	16368	" " " " " Screw
		Eye
1521E	16368	Rapid Feed Starting Pawl Spring Screw
		Eye Nut
250189	16421	Rapid Feed Starting Trip Lever with 1454E
251623	16421	Rapid Feed Starting Trip Lever Overthrow Stop
350229E	16421	Rapid Feed Starting Trip Lever Overthrow Stop Screw
7071	16421	Rapid Feed Starting Trip Lever Overthrow Stop Screw Washer
201445E	16421	Rapid Feed Starting Trip Lever Position Screw
201437C	16421	Rapid Feed Starting Trip Lever Screw Stud
1454E	16421	Rapid Feed Starting Trip Lever Set Screw
255123	16364	Rapid Feed Tripping Pawl
1410D	16364	" " " " Cap Screw
255124	16364	" " " " Lever
250432	16364	" " " " Bracket
232154	16364	" " " " " Position Pin (2)
350110C	16364	Rapid Feed Tripping Pawl Lever Bracket Screw
14017	16364	Rapid Feed Tripping Pawl Lever Bracket Screw Washer
72C	16364	Rapid Feed Tripping Pawl Lever Hinge Screw
255167	16364	Rapid Feed Tripping Pawl Spring
250195	16367	" " " Worm with 453AL
25362	16367	" " " " Ball
250196	16367	" " " " Bearing Cup
225007	16367	" " " " Retainer with eight 25362
232244	16367	Rapid Feed Worm Position Pin
453AL	16367	" " " " Set Screw
250197	16426	" " " " Wheel
250198	16426	" " " " Collar with two 453AL
453AL	16426	Rapid Feed Worm Wheel Collar Set Screw
202244	16426	" " " " Oil Packing (wick)
256196	16409	Starting and Retaining Latch with 201160E
255136	16409	Starting and Retaining Latch Crank with 209F and 1819
2269	16409	Starting and Retaining Latch Crank Position Pin

No.	Plate	Name
1819	16409	Starting and Retaining Latch Crank Roller and Stud
209F	16409	Starting and Retaining Latch Crank Set Screw
255157	16409	Starting and Retaining Latch Spring
201160E	16409	" " " " " Screw Eye
255158	16405	Starting and Retaining Latch Tripping Block
235404	16405	Starting and Retaining Latch Tripping Block Pin
183C	16405	Starting and Retaining Latch Tripping Block Screw
255138	16409	Starting Bell Crank with 201160E
350291C	16409	" " " " Hinge Screw
250202	16408	" Rod
250203	16408	" " Block with 203E
2273	16408	" " " Position Pin
203E	16408	" " " Set Screw
40043	16408	" " Collar with 209AL (2)
209AL	16408	" " " Set Screw
250204	16408	" " Lock
946D	16408	" " " Hinge Screw
250205	16408	" " " Spring
213D	16408	" " " " Screw
250206	16408	" " " " Washer
250207	16408	" " Safety Lock
38D	16408	" " " " Hinge Screw
226467	16408	" " " " " Washer
250423	16408	" " Spring
201160E	16408	" " " Screw Eye
250210	16368	Stitch Regulating Gear, 22 teeth
250211	16368	" " " " 26 teeth
250212	16368	" " " " 28 teeth
250598	16368	" " " " 30 teeth
250213	16368	" " " " 33 teeth
Note: Stitch Regulating Gear 250213 is furnished with this machine unless otherwise specified on order		
250214	16368	Stitch Regulating Gear, 34 teeth
250415	16368	" " " " 38 teeth
250478	16368	" " " " 42 teeth
201660C	16368	" " " " Lock Nut
256081	16355	" Rotating Lever (lower) with 458C
201442C	16355	" " " " Position Screw
351862	16355	Stitch Rotating Lever (lower) Roller
350378C	16355	" " " " " Screw Stud
201666E	16355	Stitch Rotating Lever (lower) Roller Screw Stud Nut
458C	16355	Stitch Rotating Lever (lower) Set Screw
232591	17411	" " " " (upper) with 448AL
40025	17411	" " " " " Position Pin
448AL	17411	" " " " " Set Screw
232807	16355	" " " " Connection (front section) (lower)

No.	Plate	Name
232593	17411	Stitch Rotating Lever Connection (front section) (upper)
232808	16355	Stitch Rotating Lever Connection (rear section) (lower)
232592	17411	Stitch Rotating Lever Connection (rear section) (upper)
58F	16355	Stitch Rotating Lever Connection Hinge Screw (4)
172D	16355	Stitch Rotating Lever Connection Screw (lower)
39504	16355	Stitch Rotating Lever Connection Screw Washer (lower)
193D	17411	Stitch Rotating Lever Connection Screw (upper)
232717	17411	Stitch Rotating Lever Connection Screw Washer (upper)
232764	16355	Stitch Rotating Lever Connection (lower) complete, Nos. 232807, 232808, two each 172D and 39504
250400	17411	Stitch Rotating Lever Connection (upper) complete, Nos. 232592, 232593, 232717 and two 193D
250394	16355	Stitch Rotating Lever Rock Shaft
250216	16355	" " Sector (lower)
232597	16355	" " " " Bracket
890D	16355	" " " " " Screw
226163	16355	Stitch Rotating Sector (lower) Bracket Screw Washer
350087C	16355	Stitch Rotating Sector (lower) Hinge Screw
250217	17411	Stitch Rotating Sector (upper)
232599	17411	" " " " Bracket
201395D	17411	" " " " " Screw (2)
232600	17411	Stitch Rotating Sector (upper) Collar with two 453AL
453AL	17411	Stitch Rotating Sector (upper) Collar Set Screw
251026	16363	Stop Lever with 200352C
232262	16363	" " Bracket
350263E	16363	" " " Screw
250218	16363	" " Crank with 453AL
40025	16363	" " " Position Pin
453AL	16363	" " " Set Screw
232263	16363	" " Friction Pad (rawhide)
200110D	16363	" " " " Screw (2)
255169	16363	" " Interlocking Slide
201084C	16363	" " " " Adjusting Screw
201628E	16363	Stop Lever Interlocking Slide Adjusting Screw Nut
1178D	16363	Stop Lever Interlocking Slide Screw
232265	16363	" " " " " Washer
250416	16363	Stop Lever Interlocking Slide Spring
250219	16365	" " Link
250220	16365	" " " Connection

No.	Plate	Name
250221	16365	Stop Lever Link Connection Locking Pin
250222	16365	" " " " " " "
		Spring
217D	16365	Stop Lever Link Connection Locking Pin Spring Screw (2)
350225D	16365	Stop Lever Link Connection Screw (back)
807D	16365	" " " " " (front)
64C	16365	" " " Hinge Screw
250223	16365	" " Operating Lever
11C	16365	" " " " Hinge Screw
250224	16365	" " " Plate
157D	16365	" " " " Screw
39541	16365	" " " " Washer
201442C	16363	" " Position Screw
200352C	16363	" " Set Screw
250225	16363	" " Shaft
256217	16363	" " Spring
201110D	16363	" " " Screw
253647	17412	Thread and Cord Cutting Blade (movable)
253773	17412	Thread and Cord Cutting Blade (stationary)
175E	17412	Thread and Cord Cutting Blade (stationary) Screw
250444	17412	Thread and Cord Cutting Blade (stationary) Screw Washer
256568	17412	Thread and Cord Cutting Blade Bracket
253693	16419	" " " " " " Ad-justing Plate
190D	16419	Thread and Cord Cutting Blade Bracket Adjusting Plate Screw
7071	16419	Thread and Cord Cutting Blade Bracket Adjusting Plate Screw Washer
350259E	17412	Thread and Cord Cutting Blade Bracket Screw
208636	17412	Thread and Cord Cutting Blade Bracket Screw Washer
253774	16417	Thread and Cord Cutting Blade Cam Plate
253651	16417	" " " " " " " Bracket
161D	16417	Thread and Cord Cutting Blade Cam Plate Bracket Screw
203E	16417	Thread and Cord Cutting Blade Cam Plate Screw (2)
253775	17412	Thread and Cord Cutting Blade Guard
86E	17412	" " " " " Hinge Screw
253653	17412	Thread and Cord Cutting Blade Spring
253654	16419	" " " " " Driving Lever with 362F and 351868
253655	16419	Thread and Cord Cutting Driving Lever Bracket
135D	16419	Thread and Cord Cutting Driving Lever Bracket Screw (2)
*253656	-----	Thread and Cord Cutting Driving Lever Cam Groove Protector (inside)

No.	Plate	Name
*253657	-----	Thread and Cord Cutting Driving Lever Cam Groove Protector (outside)
253658	16426	Thread and Cord Cutting Driving Lever Cam Groove Protector Position Pin
1454E	16426	Thread and Cord Cutting Driving Lever Cam Groove Protector Screw
253659	16419	Thread and Cord Cutting Driving Lever Hinge Stud
201873	16419	Thread and Cord Cutting Driving Lever Roller
351868	16419	Thread and Cord Cutting Driving Lever Roller 201873 with 1520J, 201144E and 350421C
201144E	16419	Thread and Cord Cutting Driving Lever Roller Cap Screw
350421C	16419	Thread and Cord Cutting Driving Lever Roller Screw Stud
1520J	16419	Thread and Cord Cutting Driving Lever Roller Screw Stud Nut
362F	16419	Thread and Cord Cutting Driving Lever Set Screw
256569	16419	Thread and Cord Cutting Lever with 190D, 7071 and 253693
256557	16419	Thread and Cord Cutting Lever Bracket
391E	16419	" " " " " " " Screw (4)
201468H	16419	Thread and Cord Cutting Lever Cap Screw
253661	16419	" " " " " " Connection
*38444	-----	" " " " " " " End Bearing (lower)
38446	16419	Thread and Cord Cutting Lever Connect- ion End Bearing 38444 with 42524, 50016C and two 175E
50016C	16419	Thread and Cord Cutting Lever Connect- ion End Bearing (lower) Ball Screw Stud
1636E	16419	Thread and Cord Cutting Lever Connect- ion End Bearing (lower) Ball Screw Stud Nut
*42524	-----	Thread and Cord Cutting Lever Connect- ion End Bearing (lower) Cap
175E	16419	Thread and Cord Cutting Lever Connect- ion End Bearing (lower) Cap Screw
1698C	16419	Thread and Cord Cutting Lever Connect- ion End Bearing (lower) Check Nut
*38443	-----	Thread and Cord Cutting Lever Connect- ion End Bearing (upper)
253662	16419	Thread and Cord Cutting Lever Connect- ion End Bearing 38443 with 777C, 42525 and two 175E
777C	16419	Thread and Cord Cutting Lever Connect- ion End Bearing (upper) Ball Screw
1636E	16419	Thread and Cord Cutting Lever Connect- ion End Bearing (upper) Ball Screw Nut
*42525	-----	Thread and Cord Cutting Lever Connect- ion End Bearing (upper) Cap

No.	Plate	Name
175E	16419	Thread and Cord Cutting Lever Connect- ion End Bearing (upper) Cap Screw
1697C	16419	Thread and Cord Cutting Lever Connect- ion End Bearing (upper) Check Nut
254093	16422	Throat Plate
250447	16422	" " Adjusting Block
176D	16422	" " Screw
250560	16422	" " Washer
*256083	16368	Vertical Shaft with two each 204648 and 250589
256201	16368	Vertical Shaft 256083 with 232719 and 255522
255522	16368	Vertical Shaft Bevel Gear (lower) with two 453AL
232719	16368	Vertical Shaft Bevel Gear (lower) Position Pin
256084	16368	Vertical Shaft Bevel Gear (upper) with two 453AL
40025	16368	Vertical Shaft Bevel Gear (upper) Position Pin (2)
453AL	16368	Vertical Shaft Bevel Gear Set Screw
250396	16368	" " Bushing (lower)
350455E	16368	" " " " " " Screw (?)
201730E	16368	" " " " " " Nut (2)
256085	16368	Vertical Shaft Bushing (upper)
575C	16368	" " " " " " Set Screw
253717	17414	Work Clamp Arm (left)
253718	17415	" " " " (right)
250525	17414	" " " Bracket (left)
255057	17414	" " " " " " 250525 with 250268, 250551, 250552, 253666 and three 2269
250526	17415	Work Clamp Arm Bracket (right)
255058	17415	" " " " " " 250526 with 250266, 250528, 250529, 253666 and three 2269
201129D	17414	Work Clamp Arm Bracket Screw (back)
253666	17414	" " " " Cam with 209F
2269	17414	" " " " Position Pin
209F	17414	" " " " Set Screw
250552	17414	" " " " Shaft (left)
250528	17415	" " " " " (right)
201237E	17414	" " " " Stop Screw
201537H	17414	" " " " " " Nut
256214	17414	" " " Hinge Block
350123E	17414	" " " " " Hinge Screw
200051E	17414	" " " Screw
13218	17414	" " " Spring
350136E	17414	" " " " Screw
256086	17414	" " Base (left) with 251619

No.	Plate	Name
256603	17414	Work Clamp Base (left) 256086 with 194C, 217E, 662D, 792D, 991E, 1423F, 1443F, 1550J, 7071, 10249, 13218, 200051E, 200097C, 201237E, 201537H, 250241, 250418, 250419, 251518, 251519, 252202, 253717, 253724, 253782, 254038, 255003, 255016, 255057, 255162, 255164, 256214, 256605, 256607, 350080D, 350136E two 207F, 401H, 201129D, 228026, 253780, 350123E and seven 934H
255162	17414	Work Clamp Base (left) Guard
934H	17414	" " " " " Screw
256087	17415	" " " (right) with 251619
256604	17415	" " " " 256087 with 662D 792D, 991E, 1423F, 1443F, 1550J, 13218, 200051E, 201237E, 201537H, 228026, 232270 to 232272, 250242, 250275, 252202, 253718, 253724, 253783, 254039, 255003, 255016, 255058, 255163, 255165, 256214, 256606, 256608, 350136E, two each 401H, 200186B, 201129D, 253780, 350123E, four 207F and seven 934H
255163	17415	Work Clamp Base (right) Guard
934H	17415	" " " " " Screw
254038	17414	" " " Clamping Plate (left)
253782	17414	" " " " " " "
		Cover
254039	17415	Work Clamp Base Clamping Plate (right)
253783	17415	" " " " " " "
		Cover
401H	17414	Work Clamp Base Clamping Plate Cover Screw
934H	17414	Work Clamp Base Clamping Plate Screw
253780	17414	" " " " " Shim
251619	17414	" " " Hinge Stud
250439	16427	" " " Retaining Stud
250241	17414	" " " Spring (left)
250242	17415	" " " " (right)
1443F	17414	" " " " Screw
201451E	16427	" " " " Stud (2)
232309	16427	" " " Stop Block (2)
232310	16427	" " " " Position Pin
		(2)
201148H	16427	Work Clamp Base Stop Block Screw (2)
256021	16427	" " Carrier Base Plate with 250439
256040	16427	Work Clamp Carrier Base Plate Extension
934H	16427	Work Clamp Carrier Base Plate Extension Screw (2)
256022	16428	Work Clamp Carrier Base Plate Slide Rod
201643E	16428	" " " " " " "
		Nut (2)
250095	16428	Work Clamp Carrier Base Plate Slide Rod Position Pin (2)
200119D	16428	Work Clamp Carrier Base Plate Slide Rod Set Screw

No.	Plate	Name
250244	17410	Work Clamp Carrier Feed Lever
350185C	17410	" " " " " Hinge Screw
250245	17410	Work Clamp Carrier Feed Lever Link
250246	17410	" " " " " " "
		Block
50168E	17410	Work Clamp Carrier Feed Lever Link Block Screw (2)
350070C	17410	Work Clamp Carrier Feed Lever Link Hinge Screw (block end)
350216C	17410	Work Clamp Carrier Feed Lever Link Hinge Screw (lever end)
351863	17410	Work Clamp Carrier Feed Lever Roller
351864	17410	" " " " " " "
		351863 with 256098 and 350072E
350072E	17410	Work Clamp Carrier Feed Lever Roller Cap Screw
256088	17410	Work Clamp Carrier Feed Lever Roller Stud
255076	17410	Work Clamp Carrier Feed Lever Roller Stud Washer
253673	16420	Work Clamp Carrier Side Throw Lever (lower section) with 201097C and 201530E
*256186	-----	Work Clamp Carrier Side Throw Lever (upper section)
256187	16420	Work Clamp Carrier Side Throw Lever (upper section) 256186 with 201374E, 256188, 351866 and two 1176D
*256188	-----	Work Clamp Carrier Side Throw Lever Extension
1176D	16420	Work Clamp Carrier Side Throw Lever Extension Screw
250599	16420	Work Clamp Carrier Side Throw Lever Hinge Stud
250600	16420	Work Clamp Carrier Side Throw Lever Hinge Stud Collar with two 448AL
448AL	16420	Work Clamp Carrier Side Throw Lever Hinge Stud Collar Set Screw
435AL	16420	Work Clamp Carrier Side Throw Lever Hinge Stud Set Screw
250250	16420	Work Clamp Carrier Side Throw Lever Lock Pin with 201940 and 350072E
201940	16420	Work Clamp Carrier Side Throw Lever Lock Pin Roller
350072E	16420	Work Clamp Carrier Side Throw Lever Lock Pin Roller Cap Screw
201430C	16420	Work Clamp Carrier Side Throw Lever Lock Pin Screw Stud
250251	16420	Work Clamp Carrier Side Throw Lever Lock Pin Spring
191C	16420	Work Clamp Carrier Side Throw Lever Lock Pin Spring Screw (2)
351865	16420	Work Clamp Carrier Side Throw Lever Roller
351866	16420	Work Clamp Carrier Side Throw Lever Roller 351865 with 256090 and 201144E

No.	Plate	Name
201144E	16420	Work Clamp Carrier Side Throw Lever Roller Cap Screw
256090	16420	Work Clamp Carrier Side Throw Lever Roller Stud
201374E	16420	Work Clamp Carrier Side Throw Lever Roller Stud Cap Screw
232321	16420	Work Clamp Carrier Side Throw Lever Slide Block
254177	16427	Work Clamp Carrier Side Throw Lever Slide Block Guide
231C	16427	Work Clamp Carrier Side Throw Lever Slide Block Guide Screw (3)
201097C	16420	Work Clamp Carrier Side Throw Lever Slide Block Screw Stud
201530E	16420	Work Clamp Carrier Side Throw Lever Slide Block Screw Stud Nut
256023	16428	Work Clamp Carrier Slide (left) with 200119D
256024	16428	Work Clamp Carrier Slide (right) with 200119D
255509	16428	Work Clamp Carrier Slide Gib (left, back)
253683	16428	Work Clamp Carrier Slide Gib (left, front)
255511	16428	Work Clamp Carrier Slide Gib (right, back)
255512	16428	Work Clamp Carrier Slide Gib (right, front)
50168E	16428	Work Clamp Carrier Slide Gib Screw
256025	16428	" " " " Stay Plate
256026	16428	" " " " " Lock Washer
350369E	16428	Work Clamp Carrier Slide Stay Plate Lock Washer Screw
250597	16428	Work Clamp Carrier Slide Stay Plate Position Pin (2)
231C	16428	Work Clamp Carrier Slide Stay Plate Screw (5)
256607	17414	Work Clamp Check (left) with 350487E
256608	17415	" " " (right) with 350487E
256605	17414	" " " Extension (left)
256606	17415	" " " " (right)
350487E	17414	" " " Hinge Screw
253724	17414	" " " Spring
662D	17414	" " " Screw
252194	16407	" " Closing Lever
250266	17415	" " " " (hand) with 209F
2269	17415	Work Clamp Closing Lever (hand) Position Pin
209F	17415	Work Clamp Closing Lever (hand) Set Screw
252196	16407	Work Clamp Closing Lever Adjusting Arm with 201531H, 201948 and 228026
1178D	16407	Work Clamp Closing Lever Adjusting Arm Screw

No.	Plate	Name
14017	16407	Work Clamp Closing Lever Adjusting Arm Screw Washer
255021	16405	Work Clamp Closing Lever Cam Groove Protector
210750	16405	Work Clamp Closing Lever Cam Groove Protector Position Pin
172D	16405	Work Clamp Closing Lever Cam Groove Protector Screw
255153	16405	Work Clamp Closing Lever Disengaging Block
183C	16405	Work Clamp Closing Lever Disengaging Block Screw
250406	16405	Work Clamp Closing Lever Disengaging Block Shim (.005 in. thick)
250407	16405	Work Clamp Closing Lever Disengaging Block Shim (.010 in. thick)
256197	16407	Work Clamp Closing Lever Engaging Stud
255141	16409	" " " " " Latch
255161	16409	Work Clamp Closing Lever Engaging Stud Latch Spring
1241E	16409	Work Clamp Closing Lever Engaging Stud Latch Spring Screw Eye
256199	16348	Work Clamp Closing Lever Engaging Stud Lock Plate
200076D	16348	Work Clamp Closing Lever Engaging Stud Lock Plate Screw
7071	16348	Work Clamp Closing Lever Engaging Stud Lock Plate Screw Washer
256198	16407	Work Clamp Closing Lever Engaging Stud Sleeve
232105	16407	Work Clamp Closing Lever Engaging Stud Sleeve Pin
255143	16407	Work Clamp Closing Lever Engaging Stud Spring
255144	16405	Work Clamp Closing Lever Engaging Stud Wear Plate
210750	16405	Work Clamp Closing Lever Engaging Stud Wear Plate Position Pin
183C	16405	Work Clamp Closing Lever Engaging Stud Wear Plate Screw
256209	16407	Work Clamp Closing Lever Engaging Stud 256197 with 232105 and 256198
350407C	16407	Work Clamp Closing Lever Hinge Screw
201729C	16407	" " " " " " Nut
201947	16407	" " " " " Roller
201948	16407	" " " " " 201947 with 350156E
350156E	16407	Work Clamp Closing Lever Roller Screw Stud
201531H	16407	Work Clamp Closing Lever Roller Screw Stud Nut
228026	16407	Work Clamp Closing Lever Roller Screw Stud Washer
991C	16408	Work Clamp Closing Lever Stop Screw
250268	17414	" " Connection Lever (left) with 209F

No.	Plate	Name
250529	17415	Work Clamp Connection Lever (right) with 209F
2269	17414	Work Clamp Connection Lever Position Pin
209F	17414	Work Clamp Connection Lever Set Screw
250270	17411	" " Opening Bell Crank with 1819
659D	17411	" " " " " Hinge Screw
1819	17411	" " " " " Roller and Stud
232200	17411	Work Clamp Opening Bell Crank Spring
1241E	17411	" " " " " " Screw Eye
253680	16405	Work Clamp Opening Cam with 462AL
12509	16405	" " " " " Position Pin
462AL	16405	" " " " " Set Screw
250551	17414	" " " " " Lever with 1253C
251519	17414	" " " " " Latch
253679	17411	" " " " " Releasing Bracket with 200E, 1547J and 350218C
200E	17411	Work Clamp Opening Lever Latch Releasing Bracket Set Screw
350218C	17411	Work Clamp Opening Lever Latch Releasing Screw
1547J	17411	Work Clamp Opening Lever Latch Releasing Screw Check Nut
10249	17414	Work Clamp Opening Lever Latch Spring
217E	17414	" " " " " " Screw
7071	17414	Work Clamp Opening Lever Latch Spring Screw Washer
194C	17414	Work Clamp Opening Lever Latch Stop Screw
2269	17414	Work Clamp Opening Lever Position Pin
1253C	17414	" " " " " Set Screw
255077	17411	" " " " " Rod
255079	17411	Work Clamp Opening Rod complete, Nos. 203C, 1662C, 250287, 253679, 255077 and 255078
255078	17411	Work Clamp Opening Rod Connection
807D	17411	" " " " " " Hinge Screw
250274	17411	Work Clamp Opening Rod Guide with 808D
808D	17411	" " " " " " Pinch Screw
1662C	17411	" " " " " " Nut
250275	17415	" " " " " Stop (adjustable)
207F	17415	" " " " " Screw
256030	16427	" " " " " Spreader (front)
256031	16427	" " " " " Adjusting Block (left)
256032	16427	Work Clamp Spreader (front) Adjusting Block (right)
256033	16427	Work Clamp Spreader (front) Adjusting Block Lever (left)
256034	16427	Work Clamp Spreader (front) Adjusting Block Lever (right)

No.	Plate	Name
201463D	16427	Work Clamp Spreader (front) Adjusting Block Lever Hinge Screw (2)
203E	16427	Work Clamp Spreader (front) Adjusting Block Screw (2)
7071	16427	Work Clamp Spreader (front) Adjusting Block Screw Washer (2)
251202	16427	Work Clamp Spreader (front) Adjusting Block Spring
256035	16427	Work Clamp Spreader (front) Connection
99C	16427	" " " " " " Hinge Screw (2)
256036	16427	Work Clamp Spreader (front) Lever
940F	16427	" " " " " " Hinge Screw
256037	16427	Work Clamp Spreader (front) Strap
190D	16427	" " " " " " Screw (2)
250276	16427	Work Clamp Spreader (left)
350140D	16427	" " " " " " Screw
256027	16427	" " " " " (right)
201463D	16427	" " " " " " Screw
991E	17414	" " " " " Adjusting Screw
252102	17414	" " " " " " Bracket
207F	17414	" " " " " " " Screw
1550J	17414	Work Clamp Spreader Adjusting Screw Nut
256028	16427	" " " " " " Base Plate
256731	16427	" " " " " " Retaining Block (2)
201026C	16427	Work Clamp Spreader Base Plate Retaining Block Screw (4)
50058D	16427	Work Clamp Spreader Base Plate Screw (2)
253505	16427	Work Clamp Spreader Connection
253506	16427	" " " " " " Bracket with 201981
1981	16427	Work Clamp Spreader Connection Bracket Roller
201981	16427	Work Clamp Spreader Connection Bracket Roller 1981 with 253524
253524	16427	Work Clamp Spreader Connection Bracket Roller Stud
208AL	16427	Work Clamp Spreader Connection Bracket Screw (2)
201453C	16427	Work Clamp Spreader Connection Hinge Screw
250281	16427	Work Clamp Spreader Connection Link (left)
253507	16427	Work Clamp Spreader Connection Link (right)
201452E	16427	Work Clamp Spreader Connection Link Hinge Screw (2)
256038	16427	Work Clamp Spreader Operating Fork Lever
212D	16427	Work Clamp Spreader Operating Fork Lever Cap Screw

No.	Plate	Name
350138E	16427	Work Clamp Spreader Operating Fork Lever Hinge Screw
255081	16427	Work Clamp Spreader Operating Fork Lever Stop Plate
203E	16427	Work Clamp Spreader Operating Fork Lever Stop Plate Screw
7071	16427	Work Clamp Spreader Operating Fork Lever Stop Plate Screw Washer
250285	16407	Work Clamp Spreader Operating Pawl
252512	16407	" " " " " Ad-justing Block
176D	16407	Work Clamp Spreader Operating Pawl Ad-justing Block Screw
7071	16407	Work Clamp Spreader Operating Pawl Ad-justing Block Screw Washer
132E	16407	Work Clamp Spreader Operating Pawl Ad-justing Screw
201669E	16407	Work Clamp Spreader Operating Pawl Ad-justing Screw Nut
741C	16407	Work Clamp Spreader Operating Pawl Hinge Screw
250286	16407	Work Clamp Spreader Operating Pawl Spring
201314C	16407	Work Clamp Spreader Operating Pawl Stop Screw
252513	16407	Work Clamp Spreader Operating Pawl complete, Nos. 176D, 7071, 250285 and 252512
250287	17411	Work Clamp Spreader Releaser
203C	17411	" " " " Screw
201314C	16427	" " " Screw Stud (2)
255003	17414	" " Spring
255016	17414	" " " Wear Plate
792D	17414	" " " " Screw
255164	17414	" Position Gauge (left)
255165	17415	" " " (right)
1423F	17414	" " " Screw
228026	17414	" " " " Washer

MACHINE No. 99w123

Automatic Eyelet End Buttonhole Machine, For $\frac{5}{8}$ or $\frac{3}{4}$ in. High Grade Taper Bar Buttonholes in Overalls, Pant Flies, Pocket Flaps, Work Clothes, etc. Short Travel Machine (sewing capacity 1 in.) Lays Reinforcing Cord under the Stitches on the Purl Side of the Buttonhole. Cuts the Hole AFTER Stitching.

Same as Machine No. 99w122 with the following exceptions

No.	Plate	Name
253697	17418	Buttonhole Cutting Block (steel), $\frac{5}{8}$ in. (taper bar)
253516	17418	Buttonhole Cutting Knife (.100 x .157 eye)
256501	16366	Feed Wheel with three 232382
253731	17421	Pattern Wheel, for $\frac{5}{8}$ in. Taper Bar (medium eye) Buttonhole, bar adjustable from $\frac{1}{8}$ to $\frac{3}{8}$ in., with 256205 and two 205D
253692	17421	Pattern Wheel Ring 250617 with 252663, 253690, two each 211E and 250444
253690	17421	Pattern Wheel Ring Adjusting Segment (curved rise)
253732	17421	Pattern Wheel, for $\frac{5}{8}$ in. Taper Bar (medium eye) Buttonhole, bar adjustable from $\frac{1}{8}$ to $\frac{3}{8}$ in., complete, Nos. 253692, 253731, two each 203E, 250372 and three 391D
256627	17419	Work Clamp Base (left) 256086 with 194C, 217E, 662D, 792D, 991E, 1423F, 1443F, 1550J, 7071, 10249, 13218, 200051E, 200097C, 201237E, 201537H, 250241, 250418, 250419, 251518, 251519, 2522202, 253717, 253724, 253773, 253782, 255003, 255016, 255057, 255162, 255164, 256214, 256605, 256624, 350080D, 350136E, two each 207F, 401H, 201129D, 228026, 253780 350123E and seven 934H

No.	Plate	Name
256628	17420	Work Clamp Base (right) 256087 with 662D, 792D, 991E, 1423F, 1443F, 1550J, 13218, 200051E, 201237E, 201537H, 228026, 232270 to 232272, 250242, 250275, 252202, 253718, 253724, 253777, 253783, 255003, 255016, 255058, 255163, 255165, 256214, 256606, 256625, 350136E, two each 401H, 200186B, 201129D, 253780 350123E, four 207F and seven 934H
253776	17419	Work Clamp Base Clamping Plate (left)
253777	17420	" " " " (right)
256624	17419	" " Check (left) with 350487E
256625	17420	" " " (right) with 350487E

ACCESSORIES

FOR MACHINE No. 99w122

No.	Plate	Name
254002	17409	Buttonhole Cutting Block (steel), 7/8 in. Taper Bar
254003	17409	Buttonhole Cutting Knife (.100 x .180 eye)
250012	16388	Stitch Regulating Gear, 28 teeth 1 1/2 x 5
256019	16385	Wrench, for 201726 and 201727
232486	16382	Threader Wire (large)
255554	16382	" " (small)
250004	16382	Bed Cushion (leather) (back)
250006	16382	" " " (front)
250007	16382	" " (fibre) (inside)
250008	16382	" " " (outside)
158E	16382	" " Screw
250018	16382	" Support (left) with 250004, 250006, 250008, two 250007 and six 158E
250019	16382	Bed Support (right) with 250004, 250006, 250008, two 250007 and six 158E
250288	16385	Drip Pan
250408	16382	Machine Rest (high) with 232982 and two wood screws 1 in., No. 12
232982	16382	Machine Rest Cushion (leather)
120346	16382	Oiler (copper plated) with 120347
120347	16382	" Spout, 8-1/2 in. long
11831	16385	Screw Driver, 5 in. blade (machine, large)
225547	16385	Screw Driver, 8 in. blade
*250521	-----	" " Blade
*225485	-----	" " Handle
250522	16385	Screw Driver complete, (for needle set screw), Nos. 225483 and 250521
255513	16382	Tweezers
250543	16385	Stitch Regulating Gear Holder
23535	16385	Wrench, for 1697 and 1698
232900	16385	" " 201362 and 201668
232935	16385	" " 201670 (")
255539	16382	" " 1550 and 350136
250289	16382	" " 201424 and 350111
255533	16382	" " 201442 and 201445
255540	16385	" " 1528, 201524 and 201643
255541	16385	" " 201628 and 201660
		Wood Screws, 1-1/4 in., No. 12 (4)

THREAD UNWINDER
FOR THREE SPOOLS

No.	Plate	Name
259370	16385	Spool Pin
225375	16385	" " (wood)
259378	16385	" " Arm with 217E and 259379
232896	16385	" " Bracket with two 448AL
448AL	16385	" " " " Set Screw
448AL	16385	" " " " Set Screw
259371	16385	" " Cap (Bakelite)
1010F	16385	" " Hinge Screw
259379	16385	" " Retaining Spring
217E	16385	" " " " Screw
259372	16385	" " Washer
259373	16385	Spool Pin complete, Nos. 1010F and 259370 to 259372
259374	16385	Spool Rest (for one spool) (flat) with 2010180
259375	16385	Spool Rest (for two spools) (flat) with 2010180
150203	16385	Spool Rest Cushion (felt)
250453	16385	" " Rod (lower)
225388	16385	" " " (upper)
250454	16385	" " " Coupling with two 456C
456C	16385	" " " " Set Screw
200383C	16385	" " " " Set Screw
2010180	16385	" " " " Set Screw
259658	16385	" Stand with 200383C
225390	16385	Thread Cone Holder
250472	16385	" Cap Holder
225391	16385	" Guide
201696H	16385	" " Lock Nut
225326	16385	" " Position Cup
350192J	16385	" " Screw Stud
225393	16385	" " " " Washer
200164B	16385	" " Stud Set Screw
225376	16385	Thread Unwinder (for three spools) complete, Nos. 200164B, 201696H, 225326, 225388, 225393, 250453, 250454, 250472, 259374, 259375, 259658, 350192J, three each 150203, 225375, 225390, 225391, 232896, 259375, 259378 and three wood screws 7/8 in., No. 12

DRIVING EQUIPMENT

228628	16388	Belt, size 5/16 in. diam., length 83 in., with two 25029
228629	16391	Belt, size 3/8 in. diam., length 57 in., with 25030
228630	16395	Belt, size 3/8 in. diam., length 120 in., with two 25030

No.	Plate	Plate
228631	16388	Belt, size 3/8 in. diam., length 133 in., with two 25030
228608	16389	Belt Guard, for Bridgeport Old Style Power Table (trough), with two wood screws 3/4 in., No. 10
228610	16390	Belt Guard, for E'port Old Style Power Table (trough), with two wood screws 3/4 in., No. 10
25029	16388	Belt Hook
25030	16388	" "
228565	16387	" Shifter
228566	16387	" " Lever with 200526C
228567	16387	" " " Hinge Stud
200335C	16387	" " " " " Set Screw
228632	16387	" " Locking Spring
200526C	16387	" " Set Screw
228618	16386	Buttonhole Cutter Driving Pulley, 4-5/8 in. diam., with 200342C and 200347C
228619	16386	Buttonhole Cutter Driving Pulley Driving Pinion 16 teeth, with 454C
2117E	16386	Buttonhole Cutter Driving Pulley Driving Pinion Pin
454C	16386	Buttonhole Cutter Driving Pulley Driving Pinion Set Screw
200342C	16386	Buttonhole Cutter Driving Pulley Position Screw
200347C	16386	Buttonhole Cutter Driving Pulley Set Screw
228579	16386	Buttonhole Cutter Driving Pulley Shaft
228580	16386	" " " " " "
224392	16386	Bushing with 224392
350028C	16386	Buttonhole Cutter Driving Pulley Shaft Bushing Oil Packing (wick)
228620	16386	Buttonhole Cutter Driving Pulley Shaft Bushing Set Screw
228620	16386	Buttonhole Cutter Driving Pulley Shaft Gear 48 teeth, with 448AL
2117E	16386	Buttonhole Cutter Driving Pulley Shaft Gear Pin
448AL	16386	Buttonhole Cutter Driving Pulley Shaft Gear Set Screw
228593	16387	Counter Shaft (hollow) with 200370C and 228595
210833	16387	Counter Shaft Collar with two 200383C
200383C	16387	" " " " Set Screw
228590	16387	" " Driving Pulley (loose), 5 in. diameter
228591	16387	Counter Shaft Driving Pulley (tight), 5 in. diam., with 200352C and 200363C
200352C	16387	Counter Shaft Driving Pulley Position Screw
200363C	16387	Counter Shaft Driving Pulley Set Screw
228601	16387	" " Hanger with 200335C and 202244
228588	16387	Counter Shaft Hanger Belt Guard (double)

ACCESSORIES

No.	Plate	Name
200002E	16387	Counter Shaft Hanger Belt Guard Screw
202244	16387	" " " Oil Packing (wick)
51080R	16387	" " " Screw
51046R	16387	" " " " Washer
41125R	16387	" " " " " Washer
228602	16387	" " " Oil Cup
228594	16387	" " " Packing Wick
228595	16387	" " " " " Wire with 228594
200370C	16387	Counter Shaft Oil Stop Screw
228592	16387	" " Pulley, 5-7/8 in. diam., with 200352C and 200363C
200352C	16387	Counter Shaft Pulley Position Screw
200363C	16387	" " " Set Screw
228596	16387	Counter Shaft Hanger complete, for Old Style Power Table and Singer Univers- sal Power Table, Nos. 51080R, 200002E, 210833, 228565 to 228567, 228588, 228590 to 228595, 228601, 228602, 228632, two 51046R and three 41125R
228573	16386	Driving Attachment Belt Guard with 228607
228607	16386	Driving Attachment Belt Guard Drain Valve
50075J	16386	Driving Attachment Belt Guard Thumb Screw
228574	16386	Driving Attachment Bracket with 11119, 228575 and four 350028C
228575	16386	Driving Attachment Bracket Oil Cup
15783	16386	" " " " Tube
11119	16386	" " " " " "
52045	16386	Driving Attachment Bracket Oil Tube Packing (cotton)
51046R	16386	Driving Attachment Bracket Screw
41125R	16386	" " " " " Washer
228624	16386	" Pulley, 6 in. diam., with 200374C and 200396C
200396C	16386	Driving Pulley Position Screw
200374C	16386	" " " Set Screw
228625	16386	" " " Shaft
228571	16386	" " " Bushing with 202260
202260	16386	" " " " Oil Packing (wick)
350028C	16386	Driving Pulley Shaft Bushing Set Screw
228626	16386	" " " Collar with two 200378C
200378C	16386	Driving Pulley Shaft Collar Set Screw
228621	16386	Machine Driving Pulley (loose) 3-1/8 in. diameter
228622	16386	Machine Driving Pulley Clutch
214179	16386	" " " " Roller
214181	16386	" " " " " "
214180	16386	Machine Driving Pulley Clutch Roller Spring Plunger
200050C	16386	Machine Driving Pulley Clutch Screw

No.	Plate	Name
228623	16386	Machine Driving Pulley Collar with two 200364C
200364C	16386	Machine Driving Pulley Collar Set Screw
228627	16386	Driving Attachment complete, Nos. 50075J, 228573, 228574, 228579, 228580, 228618 to 228626, two each 2117E, 228571, three each 41125R, 51046R, 200050C and 214179 to 214181
228578	16386	Driving Attachment and Idler complete, Nos. 228587 and 228627
234342	16388	Front Plank Extension (back) with two wood screws 1-1/2 in., No. 10 (for flat table)
234349	16395	Front Plank Extension (back) with four wood screws 1-1/2 in., No. 10, for Singer Universal Safety Power Table (flat)
234350	16396	Front Plank Extension (back) with six wood screws 1-1/2 in., No. 10, for Singer Universal Safety Table Power- (trough)
234344	16388	Front Plank Extension (front) with two wood screws 2-1/4 in., No. 12 and three wood screws 1-3/4 in., No. 12
228581	16386	Idler Pulley
228643	16386	" " " Belt Guard with 200526C
200526C	16386	" " " " Set Screw
228644	16386	" " " Bracket with 200526C
200019E	16386	" " " " Screw
228584	16386	" " " Shaft with 228586
228602	16386	" " " Oil Cup
228585	16386	" " " " Wick
228586	16386	" " " " " Wire with 228585
200526C	16386	Idler Pulley Shaft Set Screw
228587	16386	Idler complete, Nos. 228584, 228602, 228644, two each 228581, 228643 and three 200019E
150611	16388	Shaft Pulley (sectional, grooved) pressed steel, flat type, rolled edge, 8 in. diam., 1-3/16 in. bore, with two 731N
731N	16388	Shaft Pulley Clamping Screw
150027	16394	Starting Device Bracket with two wood screws 1-1/4 in., No. 14
150028	16394	Starting Device Handle
27638	16394	" " " " Spring
23250	16394	" " " " Washer
126888	16394	" " " " Collar with 217F
217F	16394	Starting Device Handle Spring Collar Set Screw
126955	16394	Starting Device Rod
126888	16394	" " " Collar with 217F
217F	16394	" " " " Set Screw

ACCESSORIES

No.	Plate	Name
126830	16394	Starting Device complete, Nos. 27638, 126955, 150027, 150028, two 23250 and three 126888
150183	16394	Table Belt Guide Bracket with 795C
50285R	16394	" " " " Bolt
126841	16394	" " " " Clamping Plate
126846	16394	Table Belt Guide Bracket Bolt Nut Lock Washer
12620	16394	Table Belt Guide Bracket Bolt Washer
126750	16394	" " " Pulley with 126752
126868	16394	" " " Shaft
126752	16394	" " " Bushing
126869	16394	" " " Collar with 1448AL
1448AL	16394	Table Belt Guide Pulley Shaft Collar Set Screw
795C	16394	Table Belt Guide Pulley Shaft Set Screw
150184	16394	" " " Support Bracket with two wood screws 1 in., No. 12, F.H.
126870	16394	Table Belt Guide complete, Nos. 12620, 50285R, 126841, 126846, 126868, 150183, 150184, two each 126750 and 126869
126715	16395	Transmitter Pulley (sectional, grooved) sheet metal, 5-1/4 in. diameter
228599	16388	Driving Equipment complete, for Old Style or Singer Universal Power Table (flat) Nos. 150611, 228578, 228596, 228628, 228631, 234342, 234344 and blue print template
228605	16391	Driving Equipment complete, for Individual Motor Table, Nos. 228627 to 228629
228609	16389	Driving Equipment complete, for Bridgeport Old Style Power Table (trough) or Singer Universal Power Table (trough), Nos. 150611, 228578, 228596, 228608, 228628, 228631, 234344 and blue print template
228611	16390	Driving Equipment complete, for E'port Old Style Power Table (trough), Nos. 150611, 228578, 228596, 228610, 228628, 228631, 234344 and blue print template
228612	16392	Driving Equipment complete, for Power Table (flat) with Electric Transmitter Motor, Nos. 228627 to 228629, 234342, 234344 and blue print template
228613	16393	Driving Equipment complete, for E'port Power Table (trough) with Electric Transmitter Motor, Nos. 228610, 228627 to 228629, 234344 and blue print template

No.	Plate	Name
228645	16395	Driving Equipment complete, for Singer Universal Safety Power Table (flat) Nos. 126715, 126870, 126890, 228627, 228628, 228630, 234349 and blue print template
228646	16396	Driving Equipment complete, for Singer Universal Safety Power Table (trough), Nos. 126715, 126870, 126890, 228627, 228628, 228630, 234350 and blue print template

FOR MACHINE No. 99w123

Same as for Machine No. 99w122 with the following exceptions.

253697	17418	Buttonhole Cutting Block (steel), 5/8 in. (taper bar)
253516	17418	Buttonhole Cutting Knife (.100 x .157 eye)

BUTTONHOLE CUTTING BLOCKS

FOR MACHINE No. 99w122

254001	17409	Buttonhole Cutting Block (steel), 3/4 in. (taper bar)
254002	17409	Buttonhole Cutting Block (steel), 7/8 in. (taper bar)

FOR MACHINE No. 99w123

253697	17418	Buttonhole Cutting Block (steel), 5/8 in. (taper bar)
253698	17418	Buttonhole Cutting Block (steel), 3/4 in. (taper bar)

BUTTONHOLE CUTTING KNIVES

FOR MACHINE No. 99w122

254003	17409	Buttonhole Cutting Knife (.100 x .180 eye)
254004	17409	Buttonhole Cutting Knife (.126 x .180 eye)

FOR MACHINE No. 99w123

No.	Plate	Name
253516	17418	Buttonhole Cutting Knife (.100 x .157 eye)
253699	17418	Buttonhole Cutting Knife (.126 x .180 eye)

PATTERN WHEELS

For making Eyelet End Buttonholes, with Large Eye and Taper Bar, without cutting space.

254008	17417	Pattern Wheel, 3/4 in., complete, bar adjustable from 1/8 to 3/8 in., Nos. 253444, 254007, 255307, two each 175E, 203E, 250372 and three 391D
254010	17417	Pattern Wheel, 7/8 in., complete, bar adjustable from 1/8 to 1/4 in., Nos. 253444, 254009, 255307, two each 175E, 203E, 250372 and three 391D

For making Eyelet End Buttonholes, with Large Eye and Taper Bar, with .025 in. cutting space.

254024	17416	Pattern Wheel, 3/4 in., complete, bar adjustable from 1/8 to 3/8 in., Nos. 254023, 255307, two each 203E, 250372 and three 391D
254026	17416	Pattern Wheel, 7/8 in., complete, bar adjustable from 1/8 to 1/4 in., Nos. 254025, 255307, two each 203E, 250372 and three 391D
254007	17417	Pattern Wheel, for 3/4 in. Taper Bar (large eye) Buttonhole, bar adjustable from 1/8 to 3/8 in., for 254008
254009	17417	Pattern Wheel, for 7/8 in. Taper Bar (large eye) Buttonhole, bar adjustable from 1/8 to 1/4 in., for 254010
254023	17416	Pattern Wheel, for 3/4 in. Taper Bar (large eye) Buttonhole, bar adjustable from 1/8 to 3/8 in., with 256205 and two 205D, for 254024
254025	17416	Pattern Wheel, for 7/8 in. Taper Bar (large eye) Buttonhole, bar adjustable from 1/8 to 1/4 in., with 256205 and two 205D, for 254026
253444	17417	Pattern Wheel Cam Block
175E	17417	" " " " Screw
256205	17416	" " Position Plate
205D	17416	" " " " Screw
250372	17416	" " Rapid Feed Trip Point

No.	Plate	Name
203E	17416	Pattern Wheel Rapid Feed Trip Point Screw
250617	17416	Pattern Wheel Ring (adjustable)
255307	17416	" " " 250617 with 252662, 252663, two each 211E and 250444
252662	17416	Pattern Wheel Ring Adjusting Segment (curved rise)
252663	17416	Pattern Wheel Ring Adjusting Segment (straight drop)
211E	17416	Pattern Wheel Ring Adjusting Segment Screw
250444	17416	Pattern Wheel Ring Adjusting Segment Screw Washer
391D	17416	Pattern Wheel Ring Screw

FOR MACHINE No. 99w123

For making Eyelet End Buttonholes, with Medium Eye and Taper Bar, without cutting space.

253732	17421	Pattern Wheel, 5/8 in. complete, bar adjustable from 1/8 to 3/8 in., Nos. 253692, 253731, two each 203E, 250372 and three 391D
--------	-------	--

For making Eyelet End Buttonholes, with Large Eye and Taper Bar, without cutting space.

253644	17422	Pattern Wheel, 5/8 in. complete, bar adjustable, from 1/8 to 3/8 in., Nos. 253444, 253643, 253692, two each 175E, 203E, 250372 and three 391D
253697	17422	Pattern Wheel, 3/4 in. complete, bar adjustable from 1/8 to 1/4 in., Nos. 253444, 253696, 253692, two each 175E, 203E, 250372 and three 391D

For making Eyelet End Buttonholes, with Large Eye and Taper Bar, with .025 in. cutting space.

253707	17423	Pattern Wheel, 5/8 in., complete, bar adjustable from 1/8 to 3/8 in., Nos. 253692, 253706, two each 203E, 250372 and three 391D
253709	17423	Pattern Wheel, 3/4 in., complete, bar adjustable from 1/8 to 1/4 in., Nos. 253692, 253708, two each 203E, 250372 and three 391D
253731	17421	Pattern Wheel, for 5/8 in. Taper Bar (medium eye) Buttonhole, bar adjustable from 1/8 to 3/8 in., with 256205 and two 205D, for 253732

PATTERN WHEELS

No.	Plate	Name
253643	17422	Pattern Wheel, for 5/8 in. Taper Bar (large eye) Buttonhole, bar adjustable from 1/8 to 3/8 in., for 253644
253686	17422	Pattern Wheel, for 3/4 in. Taper Bar (large eye) Buttonhole, bar adjustable from 1/8 to 1/4 in., for 253687
253706	17423	Pattern Wheel, for 5/8 in. Taper Bar (large eye) Buttonhole, bar adjustable from 1/8 to 3/8 in., with 256205 and two 205D, for 253707
253708	17423	Pattern Wheel, for 3/4 in. Taper Bar (large eye) Buttonhole, bar adjustable, from 1/8 to 1/4 in., with 256205 and two 205D, for 253709
253444	17422	Pattern Wheel Cam Block
175E	17422	" " " " Screw
256205	17421	" " Position Plate
205D	17421	" " " " Screw
250372	17421	" " Rapid Feed Trip Point
203E	17421	" " " " Screw
250617	17422	" " Ring (adjustable)
253692	17422	" " " 250617 with 252663, 253690, two each 211E and 250444
253690	17422	Pattern Wheel Ring Adjusting Segment (curved rise)
252663	17422	Pattern Wheel Ring Adjusting Segment (straight drop)
211E	17422	Pattern Wheel Ring Adjusting Segment Screw
250444	17422	Pattern Wheel Ring Adjusting Segment Screw Washer
391D	17421	Pattern Wheel Ring Screw

SINGER KNIFE TRUEING FIXTURE

232870	16401	Base with 448AL
232871	16401	" 232870 with 59D, 232872 and 232876
232872	16401	Knife Clamping Lever
59D	16401	" " " Hinge Screw
232873	16401	Oil Stone
232874	16401	" " Bracket with three 448AL
232875	16401	" " " 232874 with 232873 and 232877
232876	16401	Oil Stone Bracket Shaft
448AL	16401	" " " " Set Screw
448AL	16401	" " Set Screw
232877	16401	" " " " Friction Gib
232878	16401	Singer Knife Trueing Fixture complete, Nos. 232871 and 232875

SHAFT PULLEY

No.	Plate	Name
27271	-----	Shaft Pulley (sectional, grooved), 4 in. diam., 1-3/16 in. bore, with two 597C
232920	-----	Shaft Pulley (sectional, grooved), 4-1/2 in. diam., 1-3/16 in. bore, with two 597C
27065	-----	Shaft Pulley (sectional, grooved), 5 in. diam., 1-3/16 in. bore, with two 597C
232879	-----	Shaft Pulley (sectional, grooved), 5-1/2 in. diam., 1-3/16 in. bore, with two 597C
27066	-----	Shaft Pulley (sectional, grooved), 6 in. diam., 1-3/16 in. bore, with two 597C
232880	-----	Shaft Pulley (sectional, grooved), 6-1/2 in. diam., 1-3/16 in. bore, with two 597C
27067	-----	Shaft Pulley (sectional, grooved), 7 in. diam., 1-3/16 in. bore, with two 597C
232881	-----	Shaft Pulley (sectional, grooved), 7-1/2 in. diam., 1-3/16 in. bore, with two 597C
150611	16388	Shaft Pulley (sectional, grooved), pressed steel, flat type, rolled edge, 8 in. diam., 1-3/16 in. bore, with two 731N
232882	-----	Shaft Pulley (sectional, grooved), 8-1/2 in. diam., 1-3/16 in. bore, with two 597C
150614	16388	Shaft Pulley (sectional grooved), pressed steel, flat type, rolled edge, 9 in. diam., 1-3/16 in. bore, with two 731N
232883	-----	Shaft Pulley (sectional, grooved), 9-1/2 in. diam., 1-3/16 in. bore, with two 597C
27070	-----	Shaft Pulley (sectional, grooved), 10 in. diam., 1-3/16 in. bore, with two 597C
27072	-----	Shaft Pulley (sectional, grooved), 12 in. diam., 1-3/16 in. bore, with two 597C
27074	-----	Shaft Pulley (sectional, grooved), 14 in. diam., 1-3/16 in. bore, with two 597C
27075	-----	Shaft Pulley (sectional, grooved), 15 in. diam., 1-3/16 in. bore, with two 597C
731N	16388	Shaft Pulley Clamping Screw
597C	-----	" " " " " "

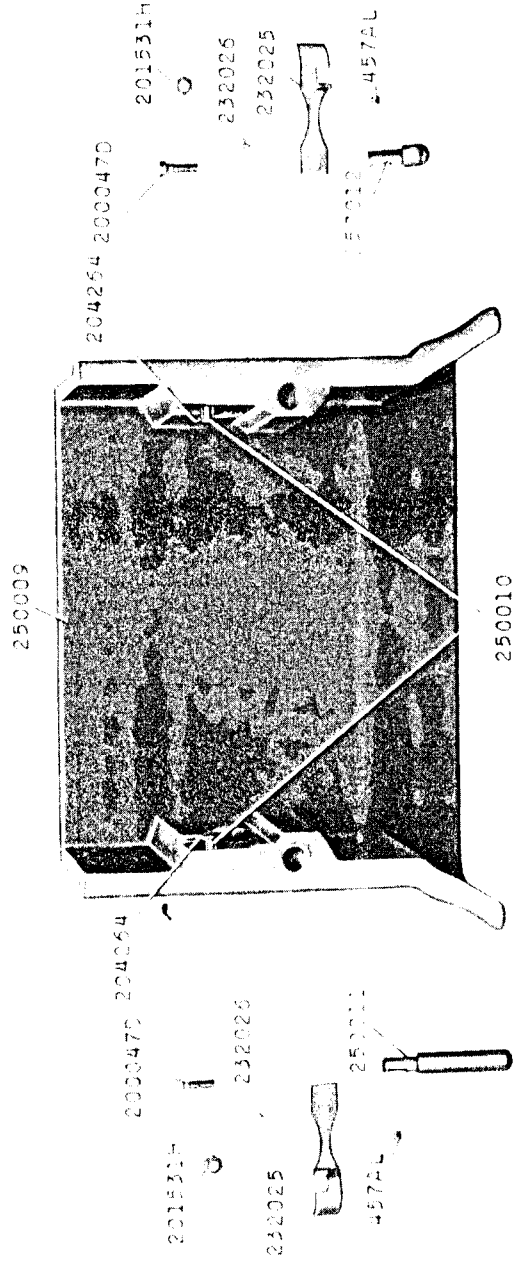
SINGER Needles should be used
 in SINGER Machines
 These Needles and their Containers
 are marked with the
 Company's Trade Mark "SIMANCO.**" 1

Needles in Containers marked
 "FOR SINGER MACHINES"
 are NOT SINGER made needles. 2

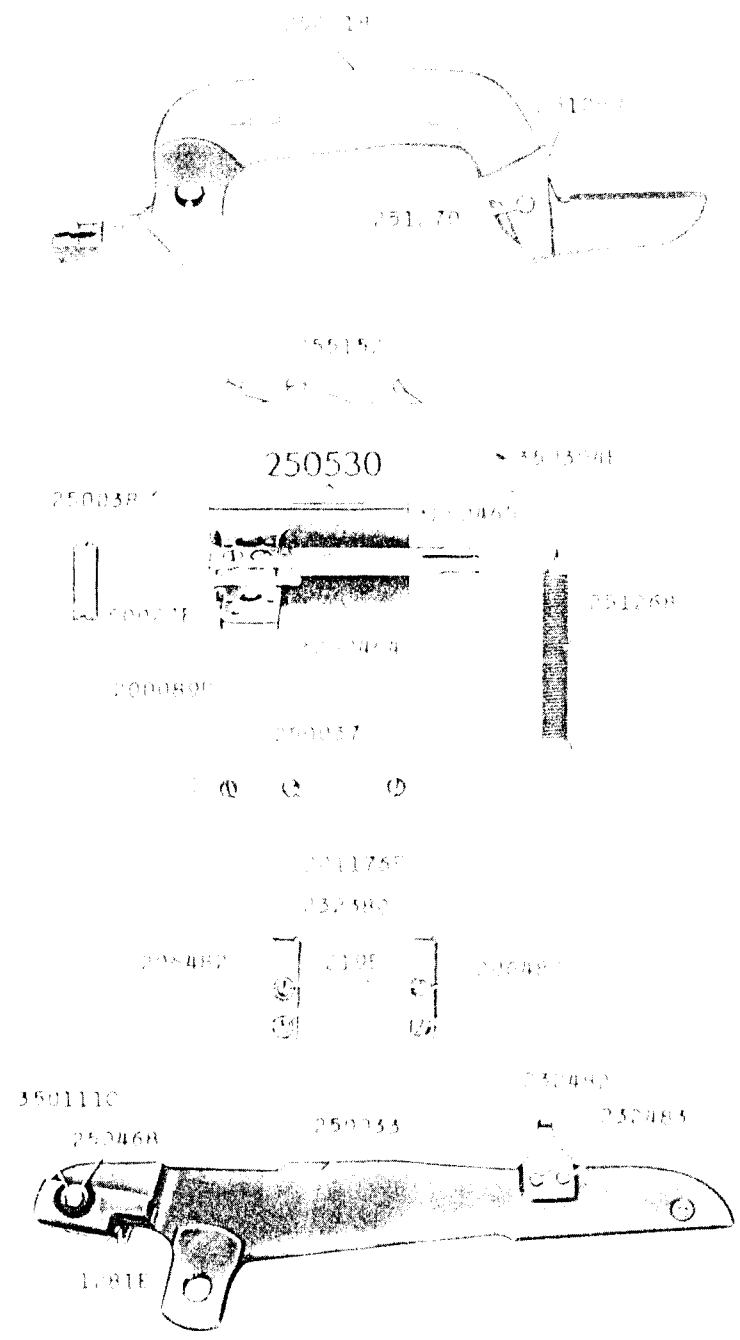
16348 - 1/4

250105	232709	232003	
222598	2001005	1500	
2003940	202260	2003410	
2005920	232486	200110E	250002 2001100
	40025	204235	
	232490	200020E	
	232469	7071	256199
	246201	200076E	
250108	230176	36446	500160
	33530	175E	175E
	16710	201490	16366
250140	3502820	16970	16366
	7410	16980	

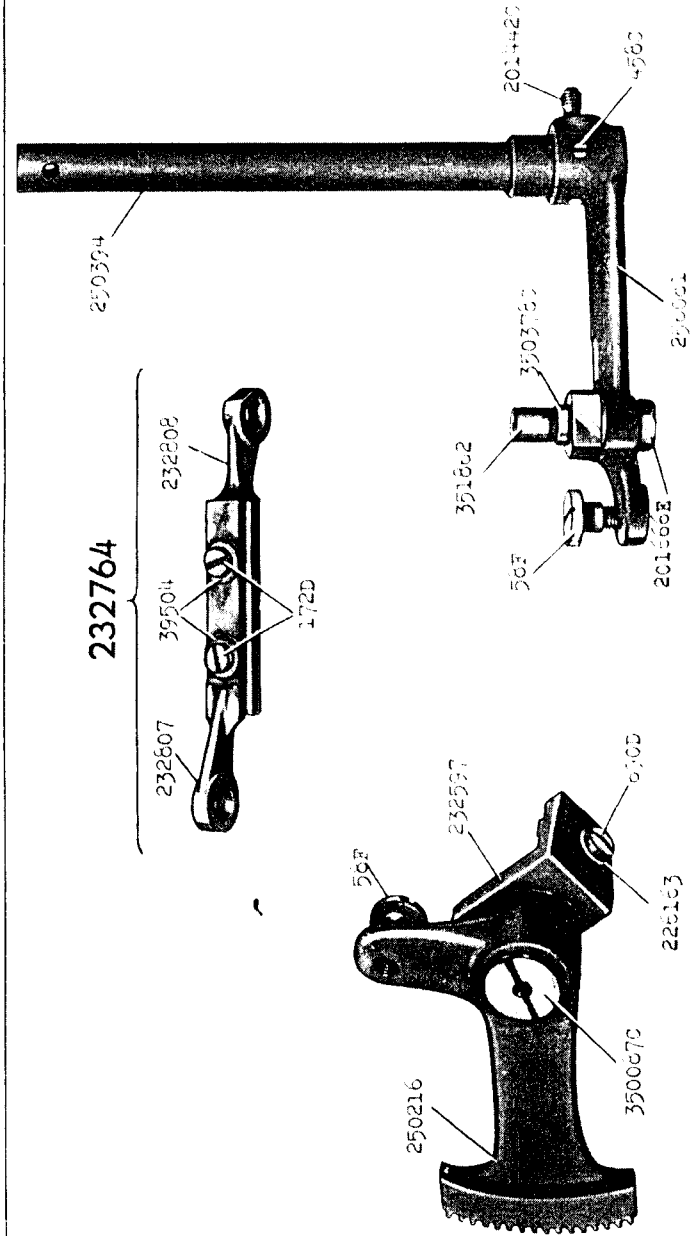
16350 - 1/3



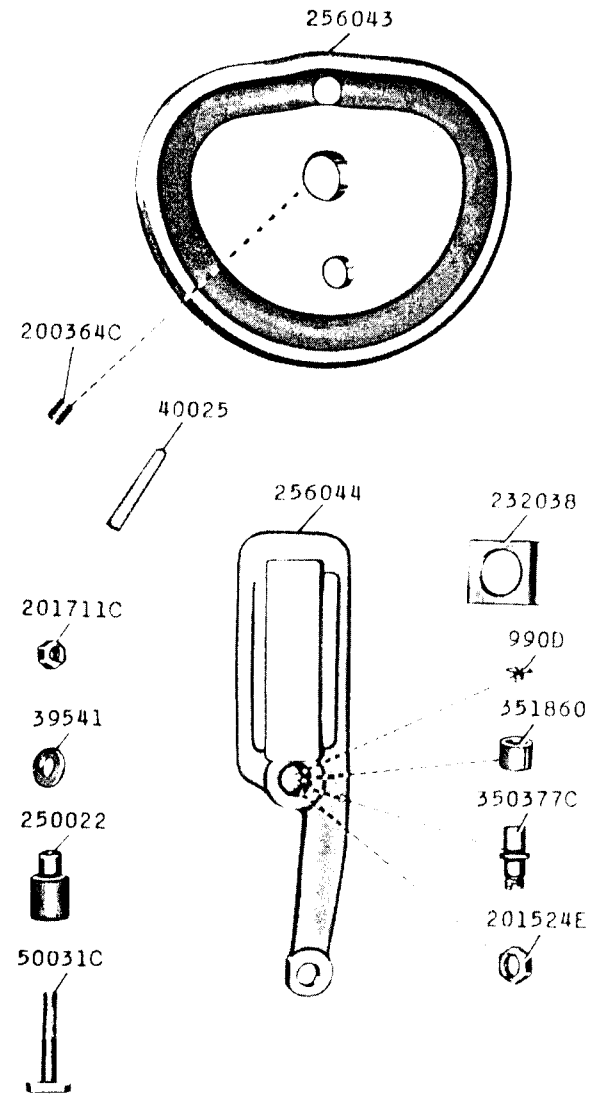
16351 - 1/3



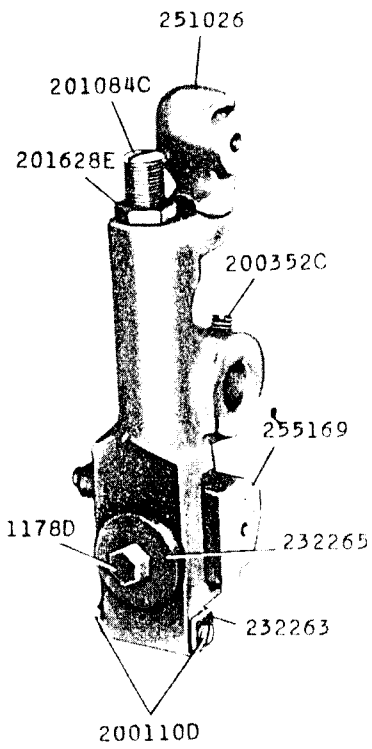
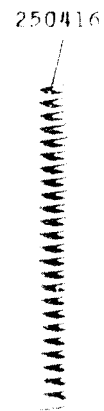
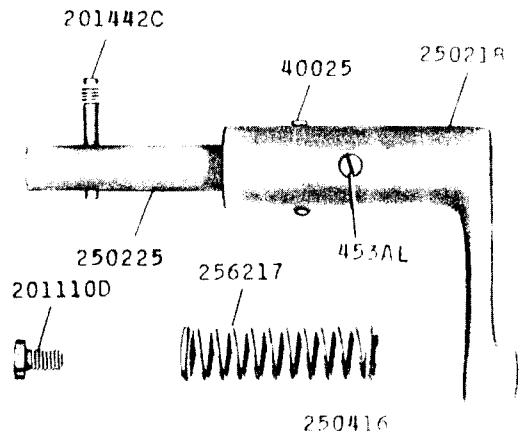
16355 - 1/2



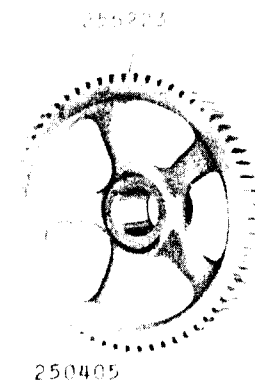
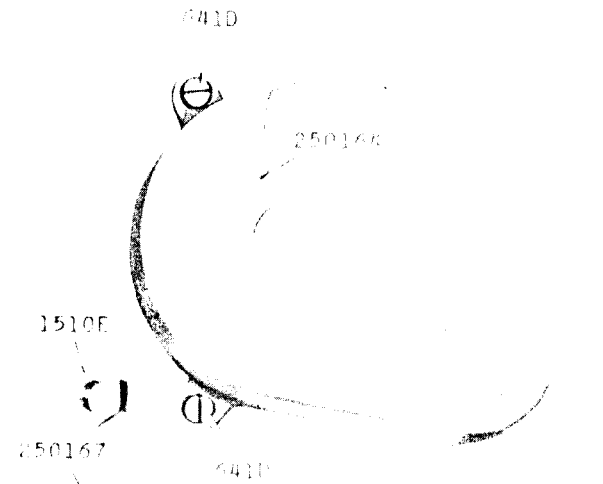
16356 - 1/2

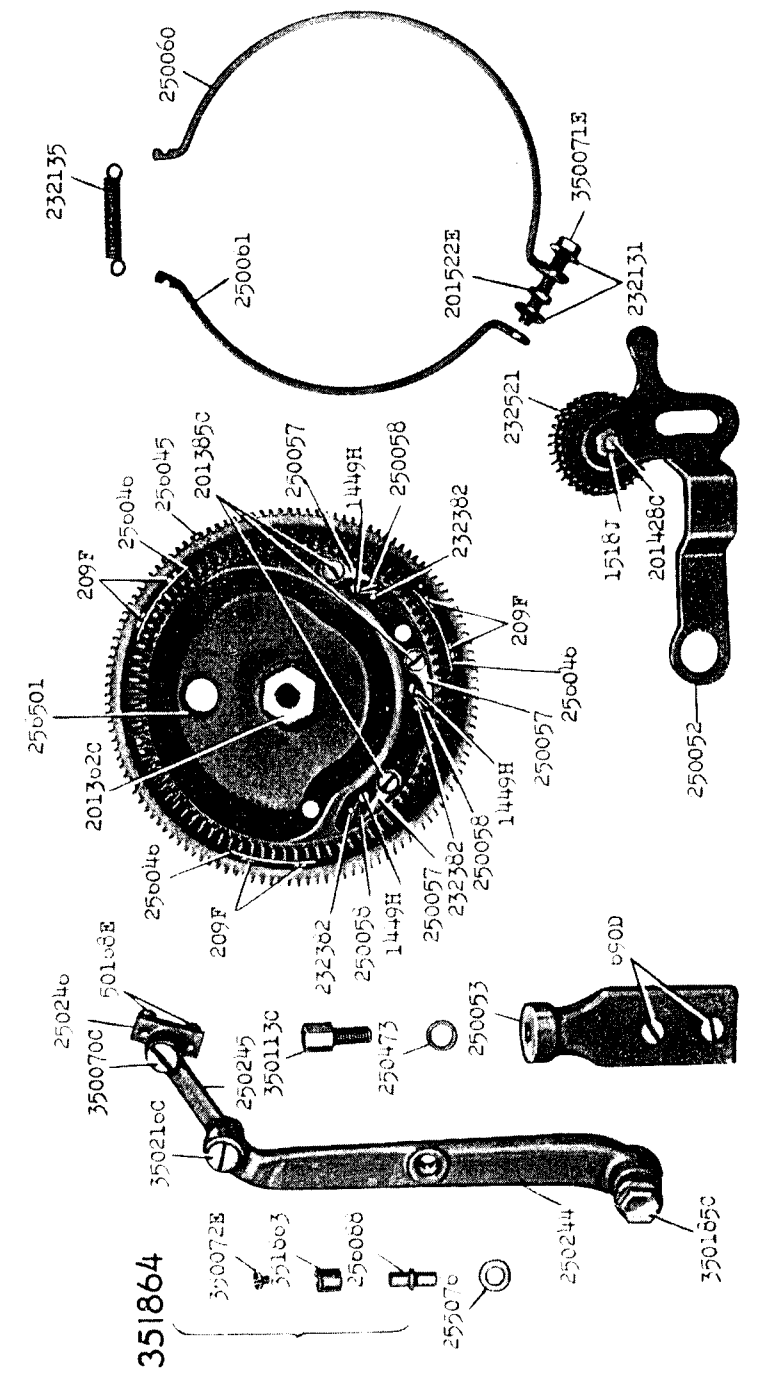
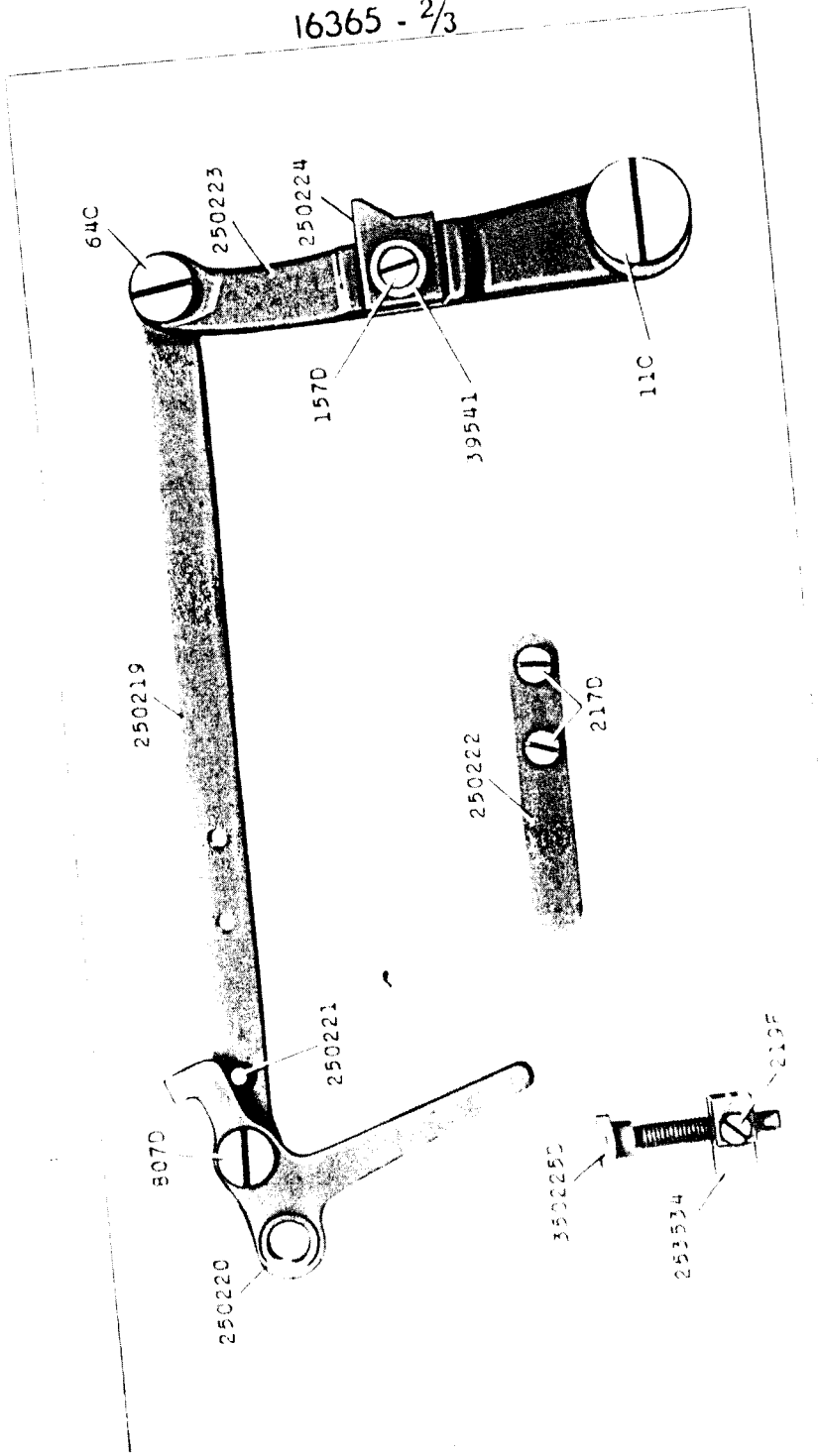


16363 - 1/2

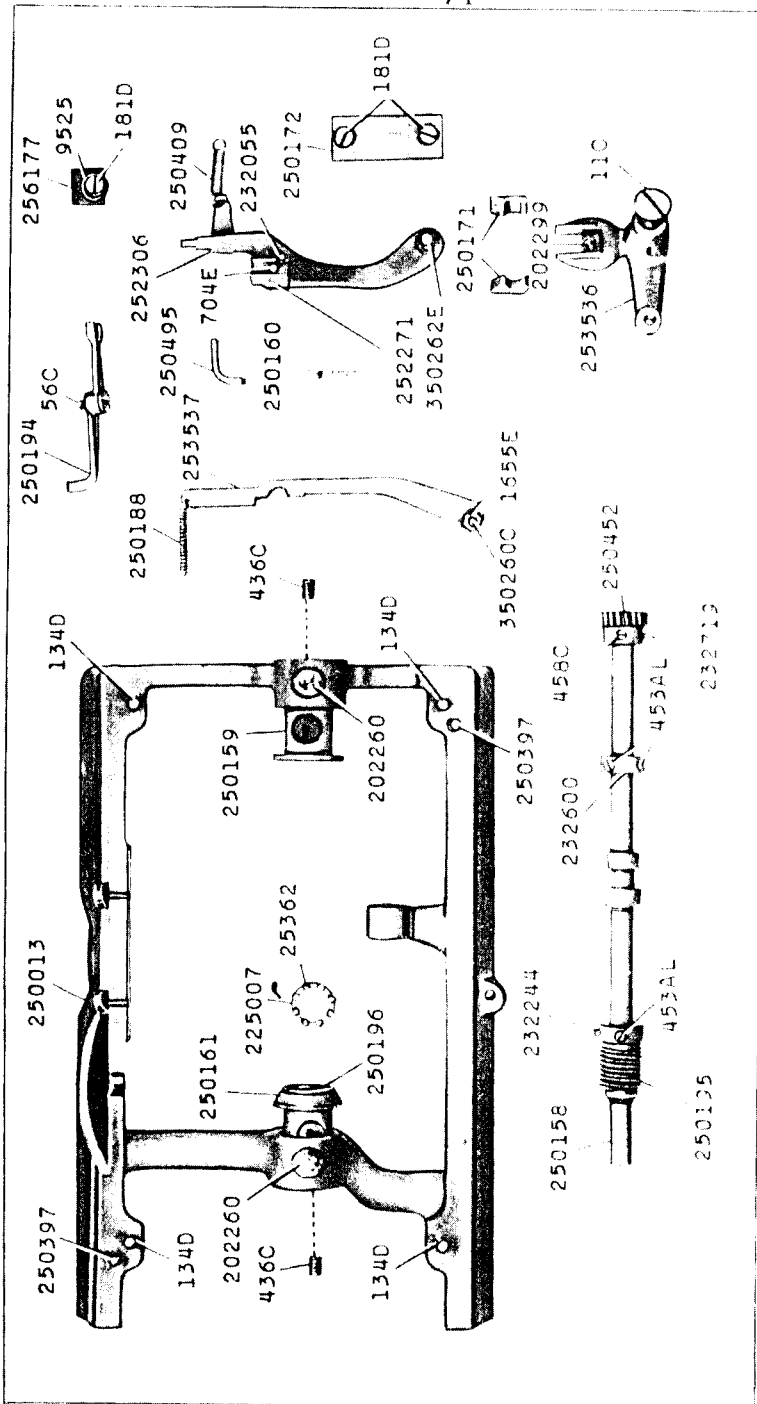


16364 - 1/2

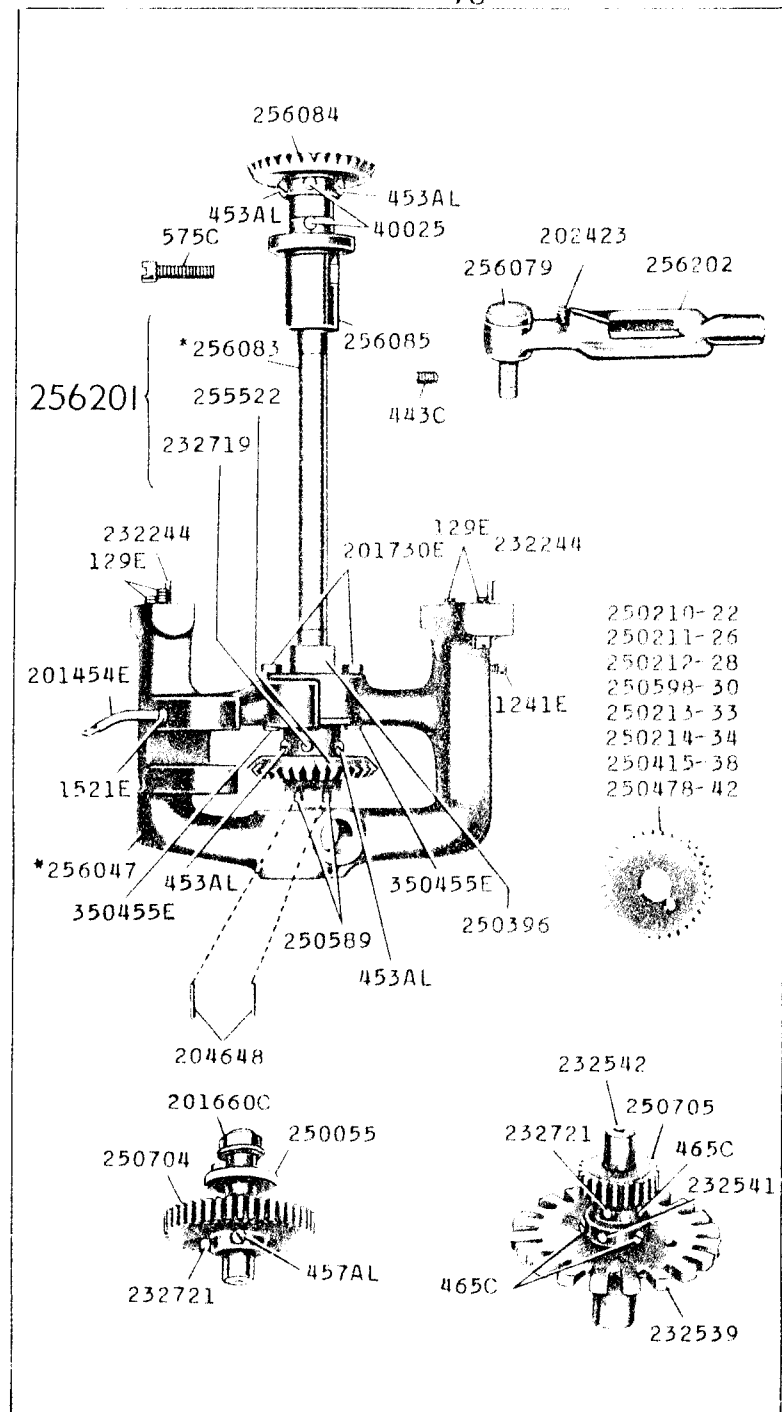




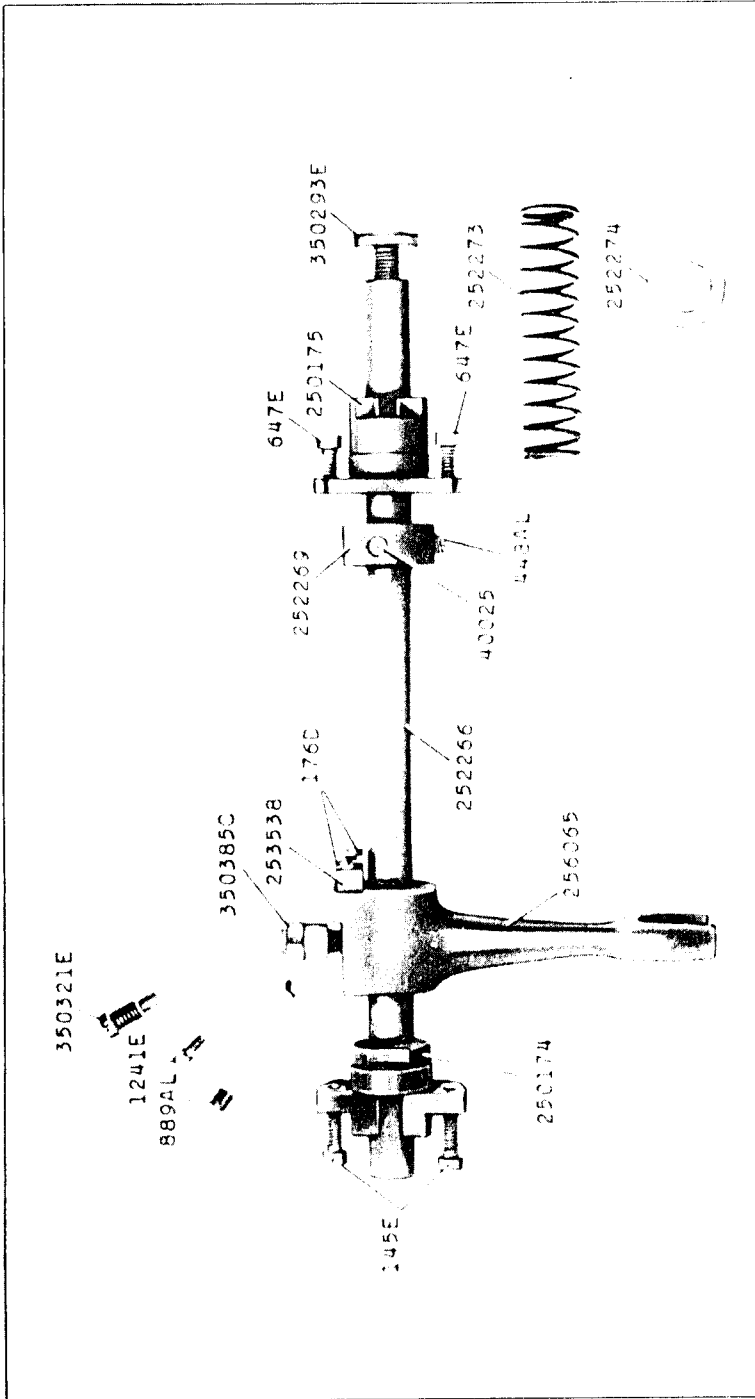
16367 - 1/4



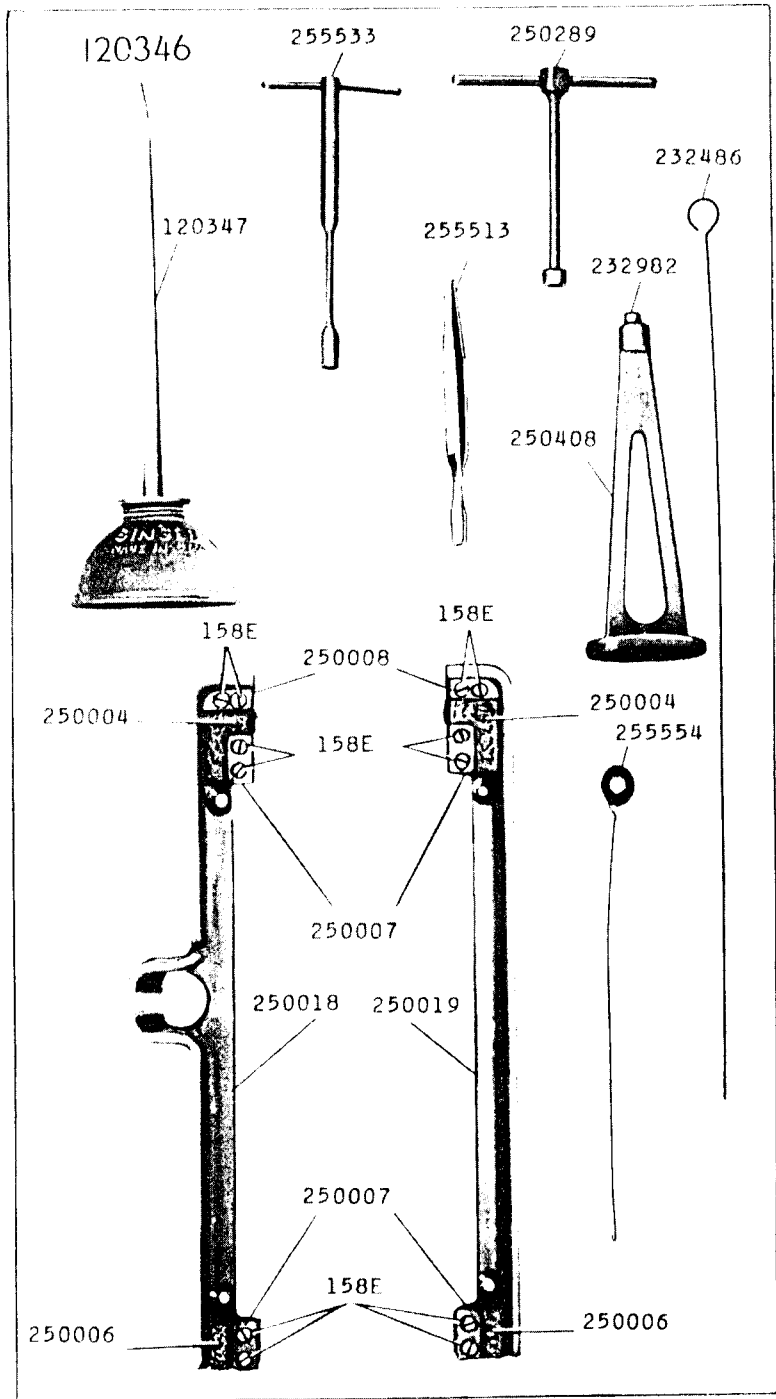
16368 - 3/8



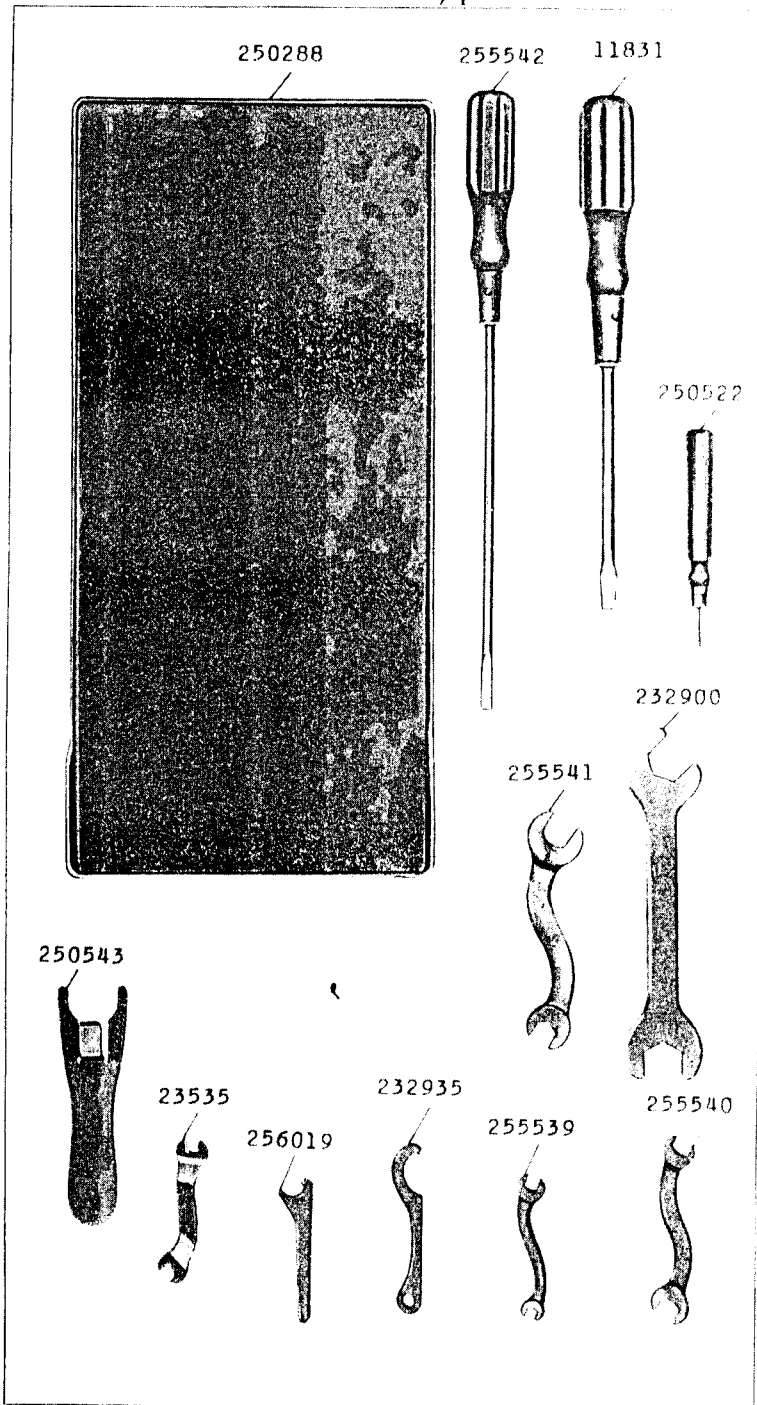
16372 - 1/2



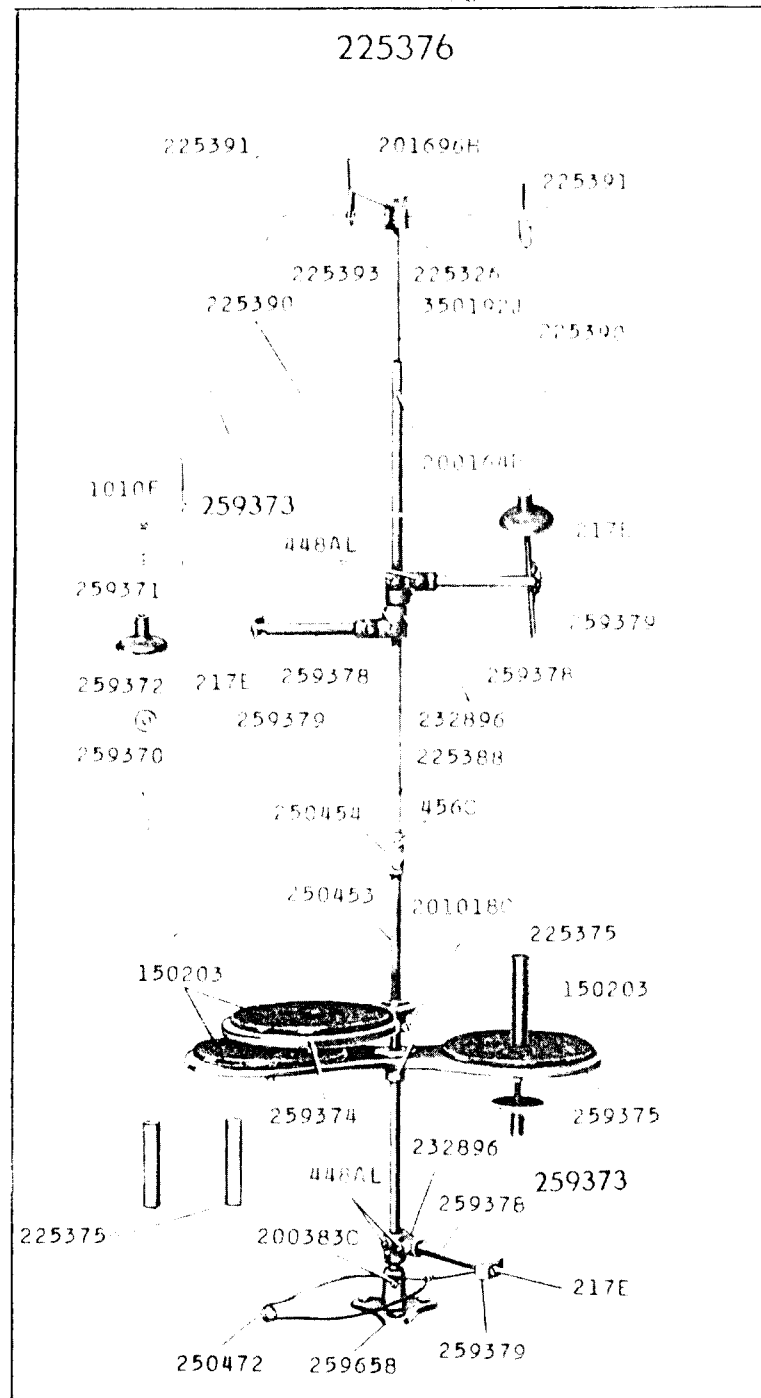
16382 - 1/4



16383 - 1/4

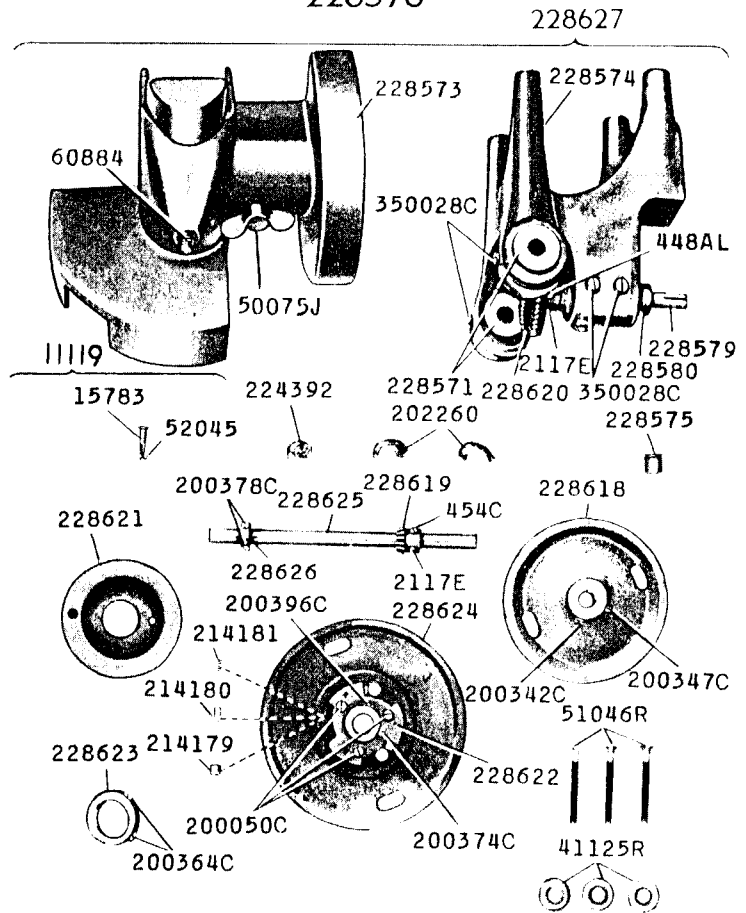


16385 - 1/6



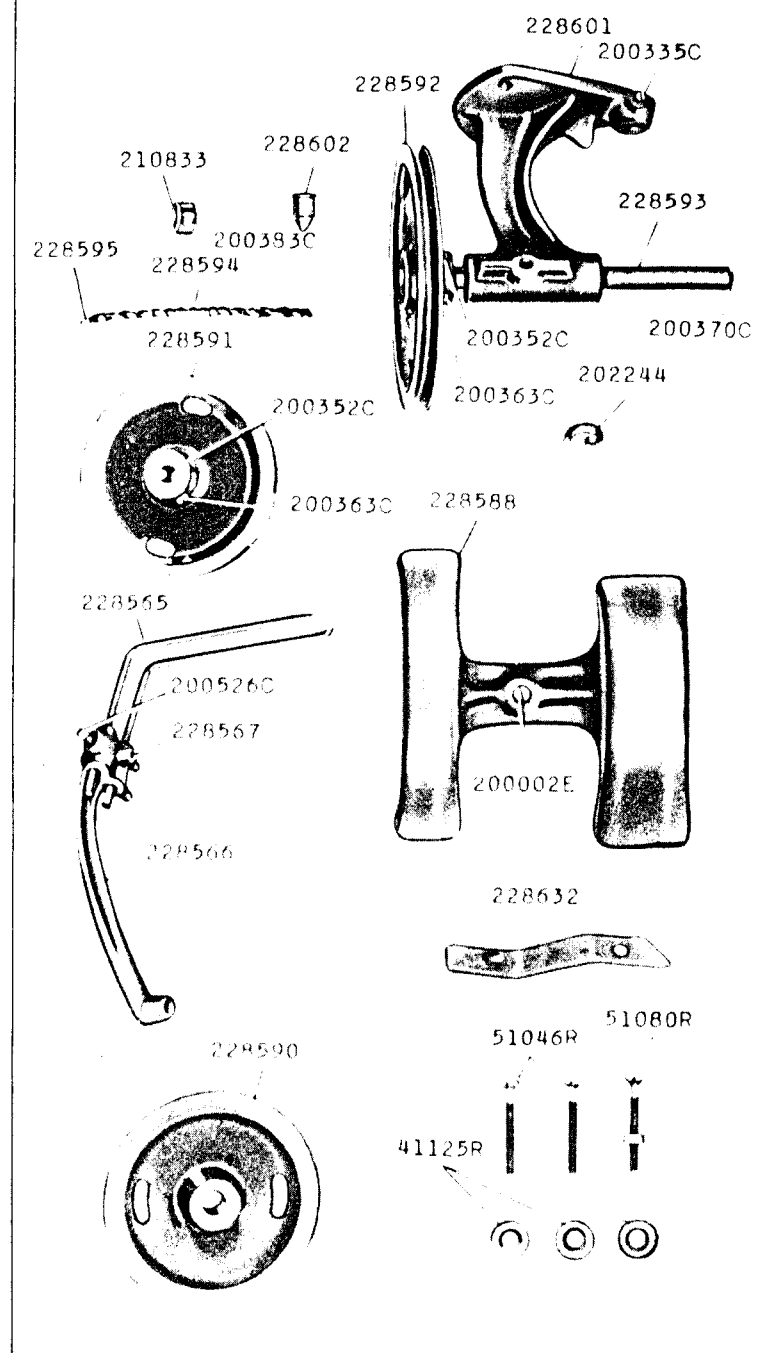
16386 - 1/6

228578



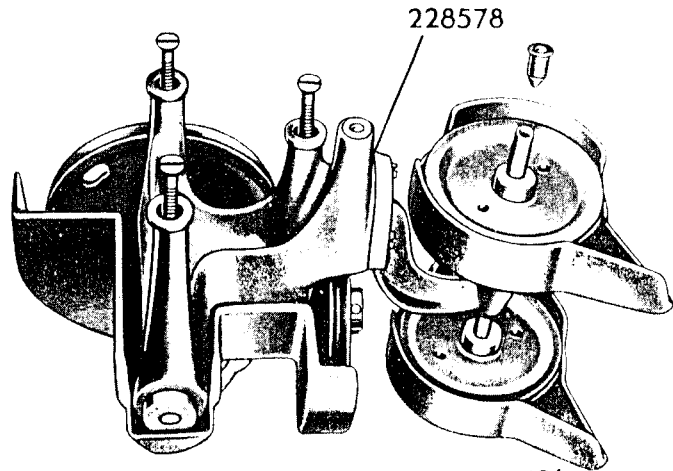
16387 - 1/5

228596



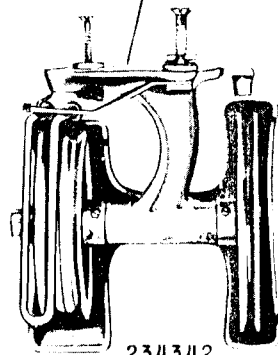
16388 - 1/6

228599



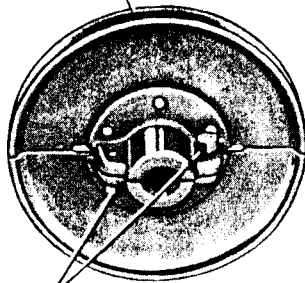
228578

228596



234342

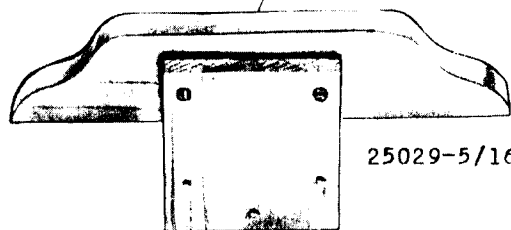
150611-8"
150614-9"



731N

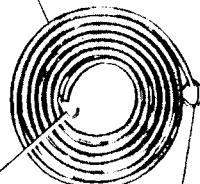
234344

228628-5/16 X 83
228631-3/8 X 133



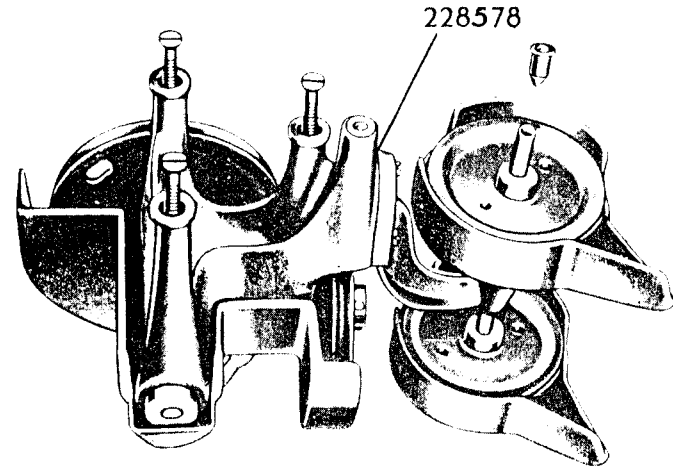
25029-5/16

25030-3/8



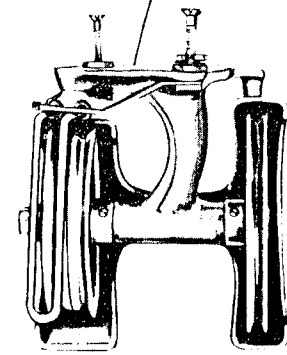
16389 - 1/6

228609

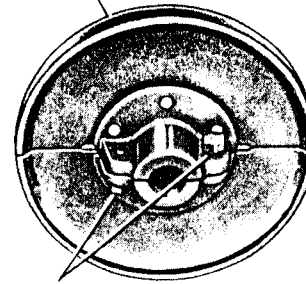


228578

228596



150611-8"
150614-9"



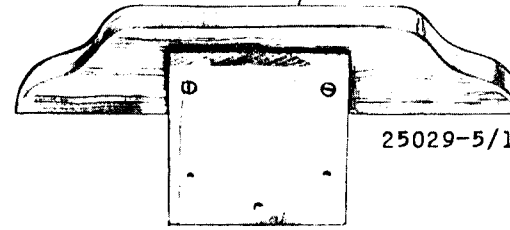
731N

234344

228608

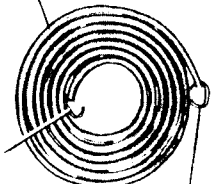


228628-5/16 X 83
228631-3/8 X 133



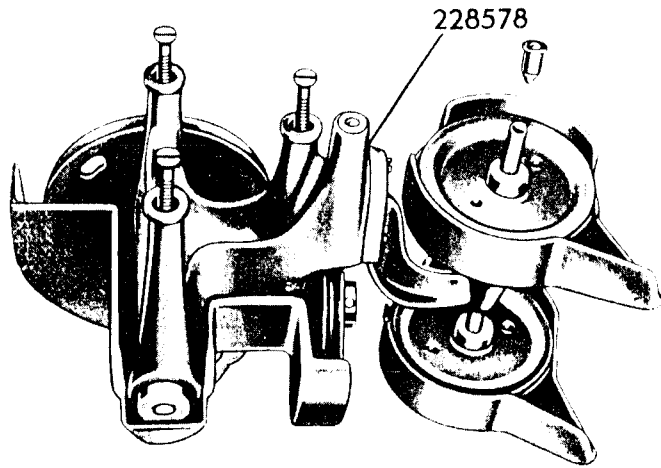
25029-5/16

25030-3/8

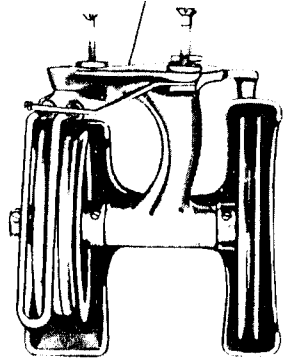


16390 - 1/6

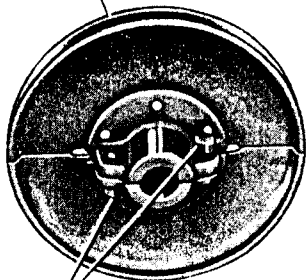
228611



228596



150611-8"
150614-9"



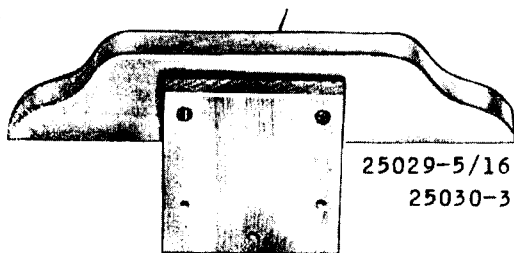
228610



228628-5/16 X 83
228631-3/8 X 133

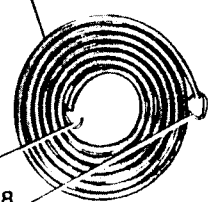
731N

234344



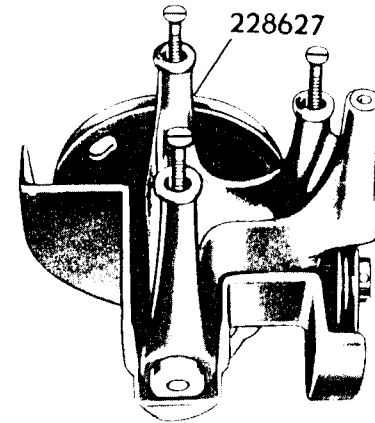
25029-5/16

25030-3/8

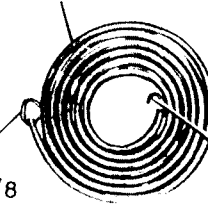


16391 - 1/6

228605



228628-5/16 X 83
228629-3/8 X 57

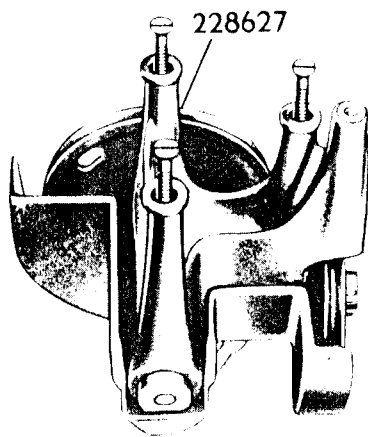


25030-3/8

25029-5/16

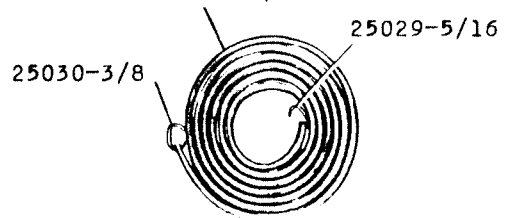
16392 - 1/6

228612

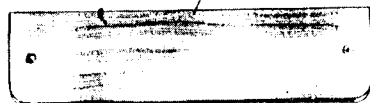


228627

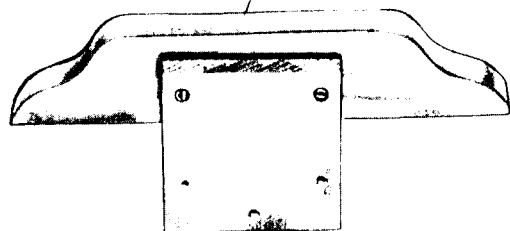
228628-5/16 X 83
228629-3/8 X 57



234342

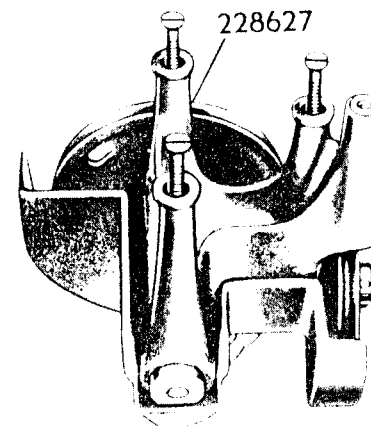


234344



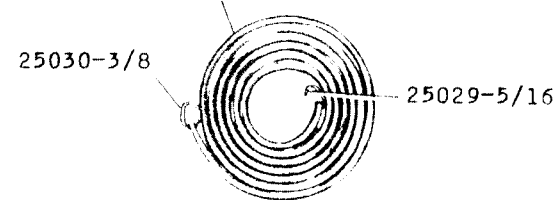
16393 - 1/6

228613



228627

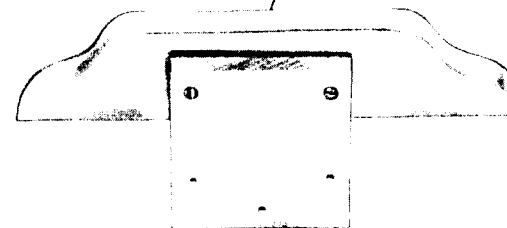
228628-5/16 X 83
228629-3/8 X 57



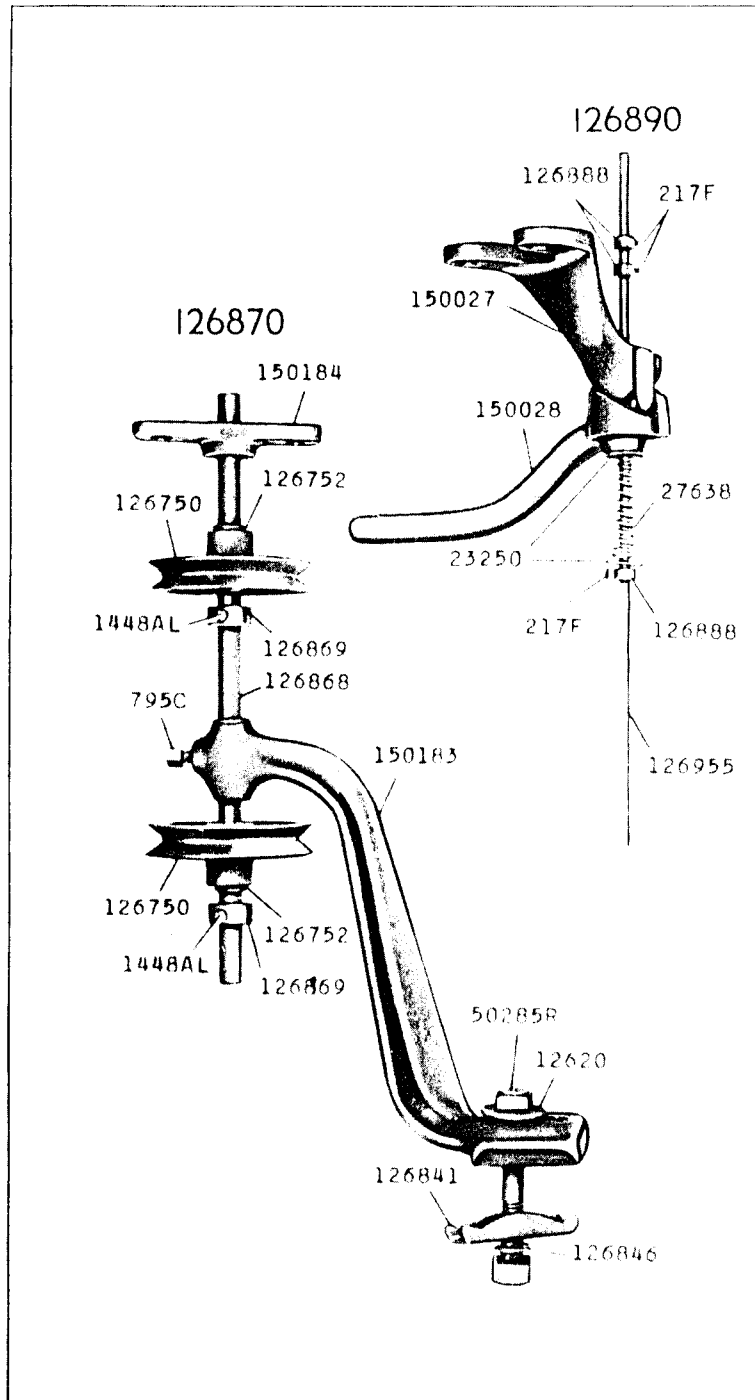
228610



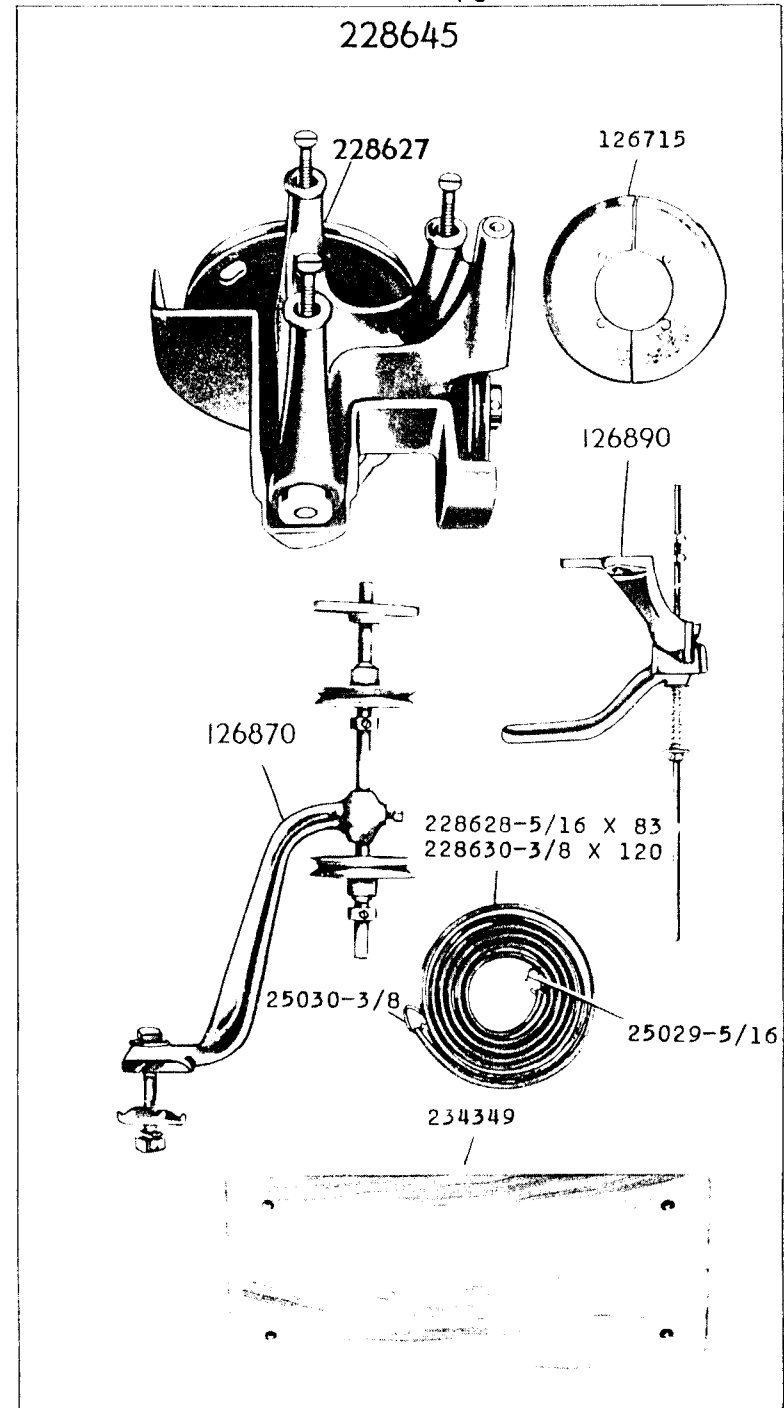
234344



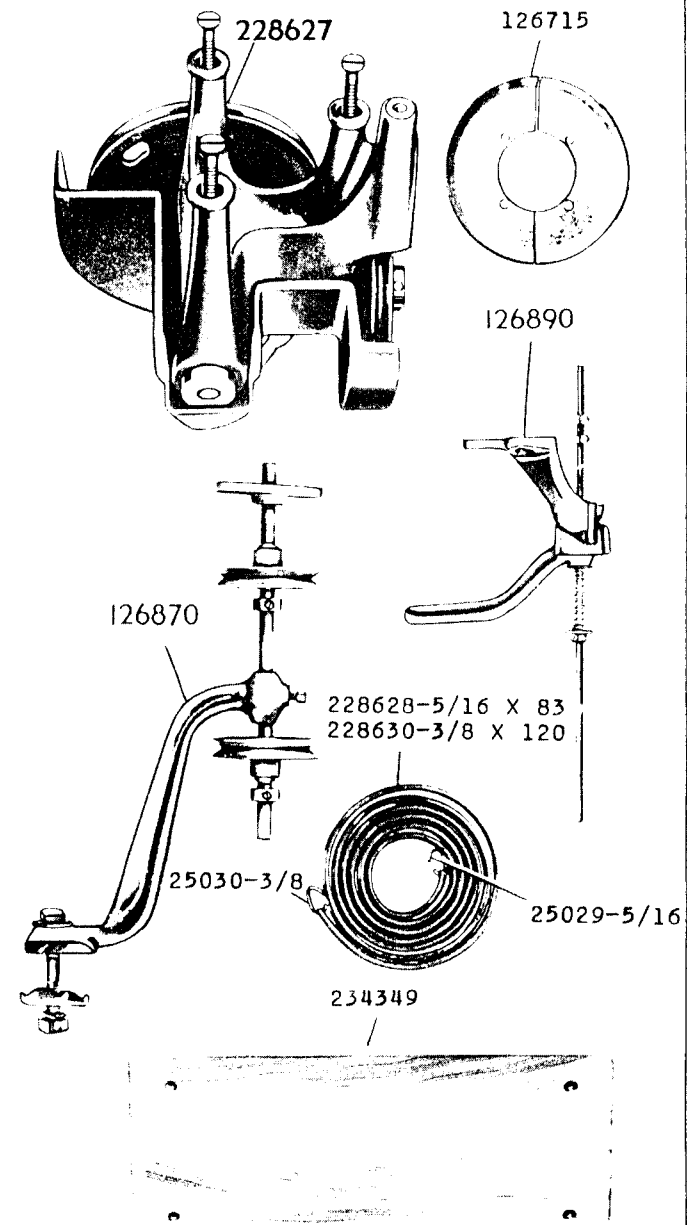
16394 - 1/4



16395 - 1/6

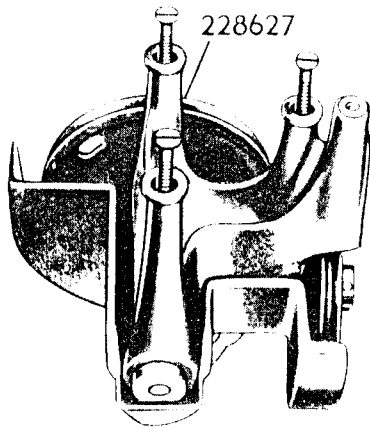


228645

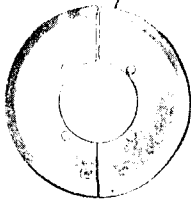


16396 - 1/6

228646



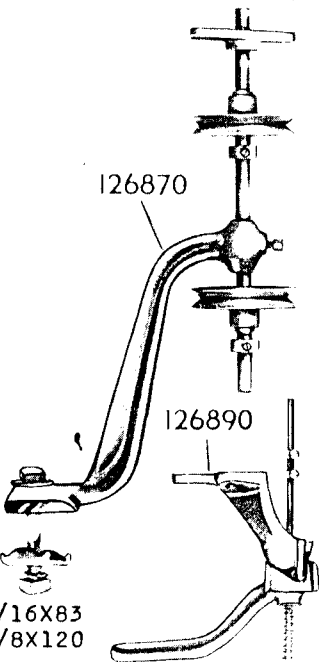
126715



234350

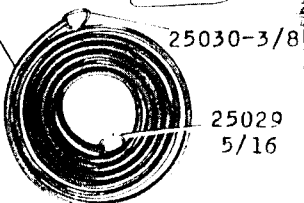


126870



126890

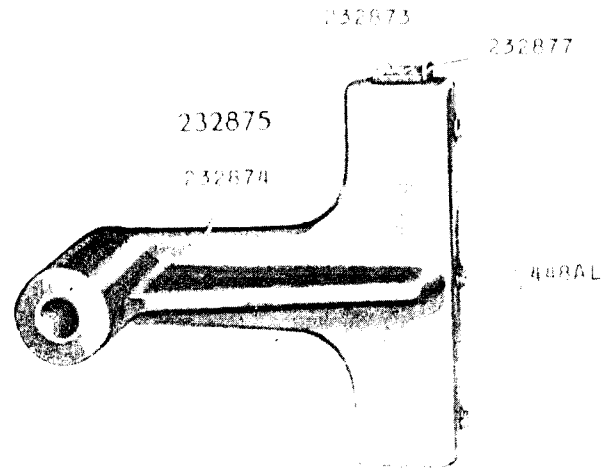
228628-5/16X83
228630-3/8X120



25029
5/16

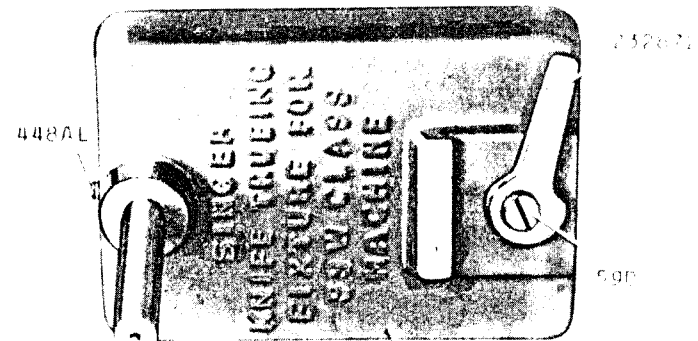
16401 - 1/2

232878



448AL

232871

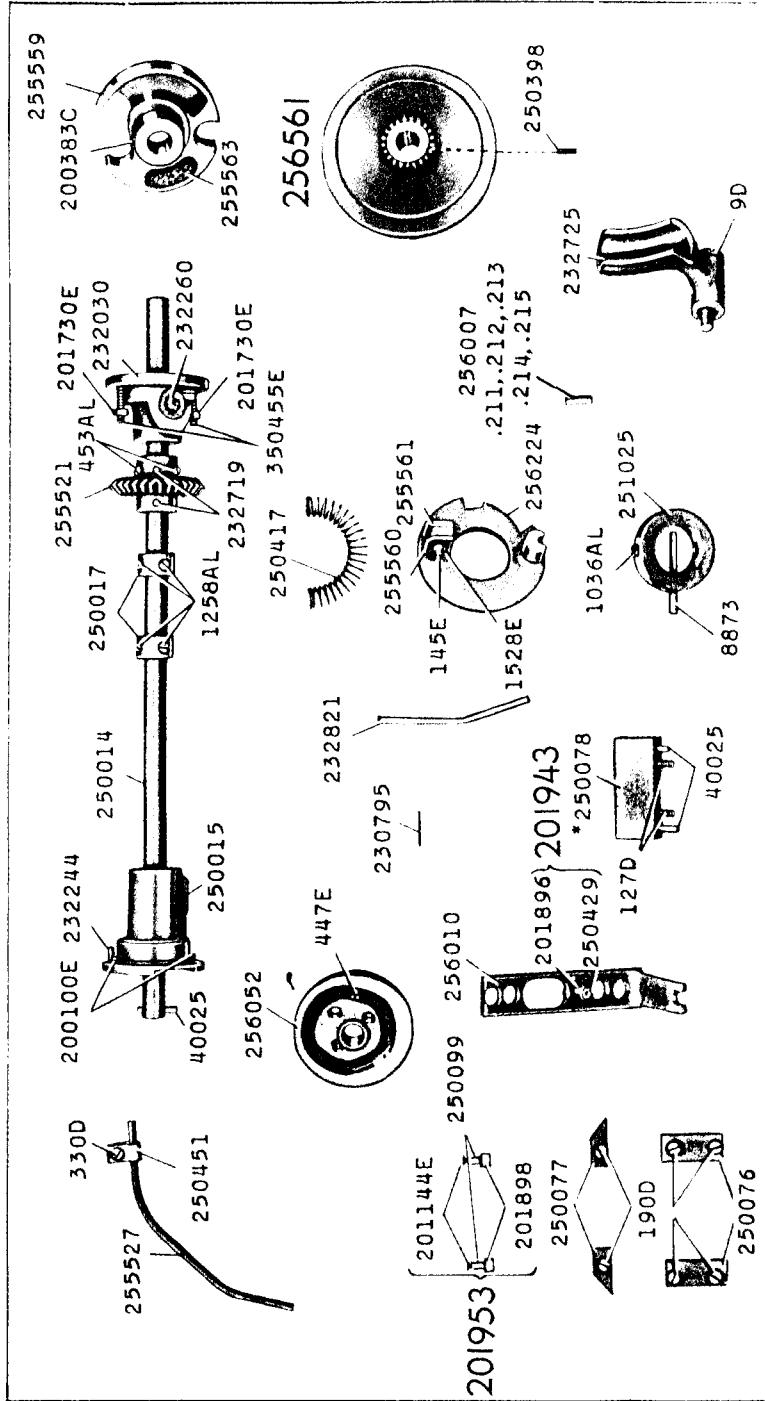


448AL

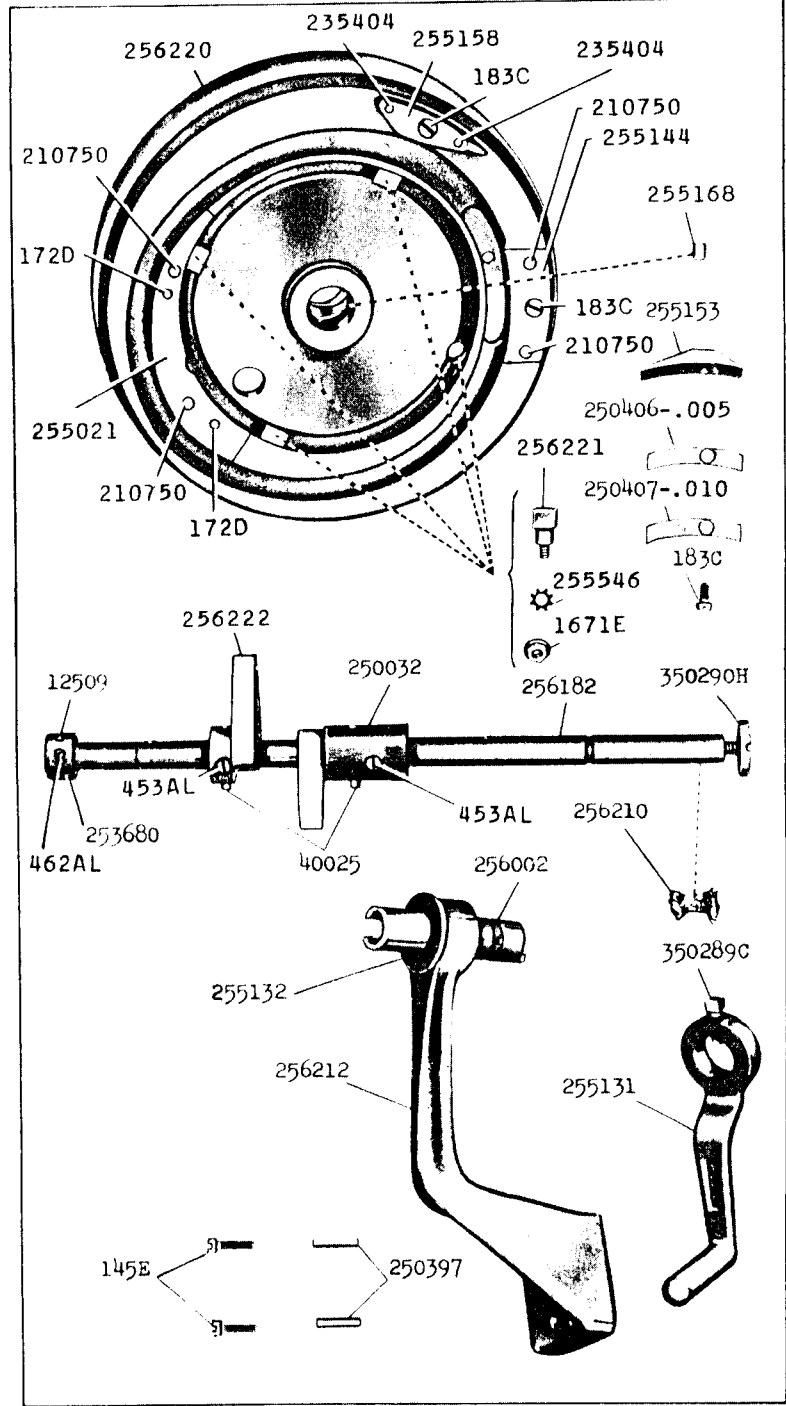
232871

50P

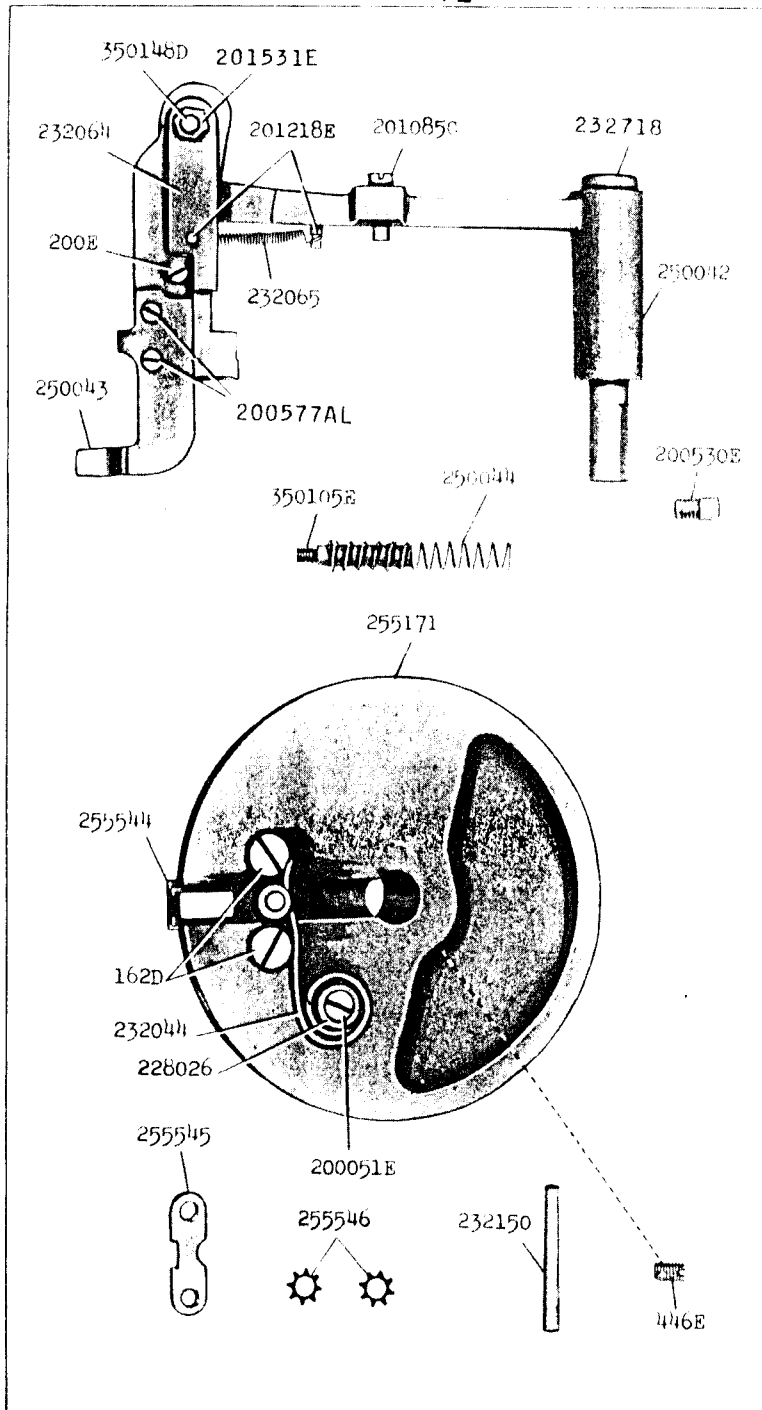
16402 - 1/4



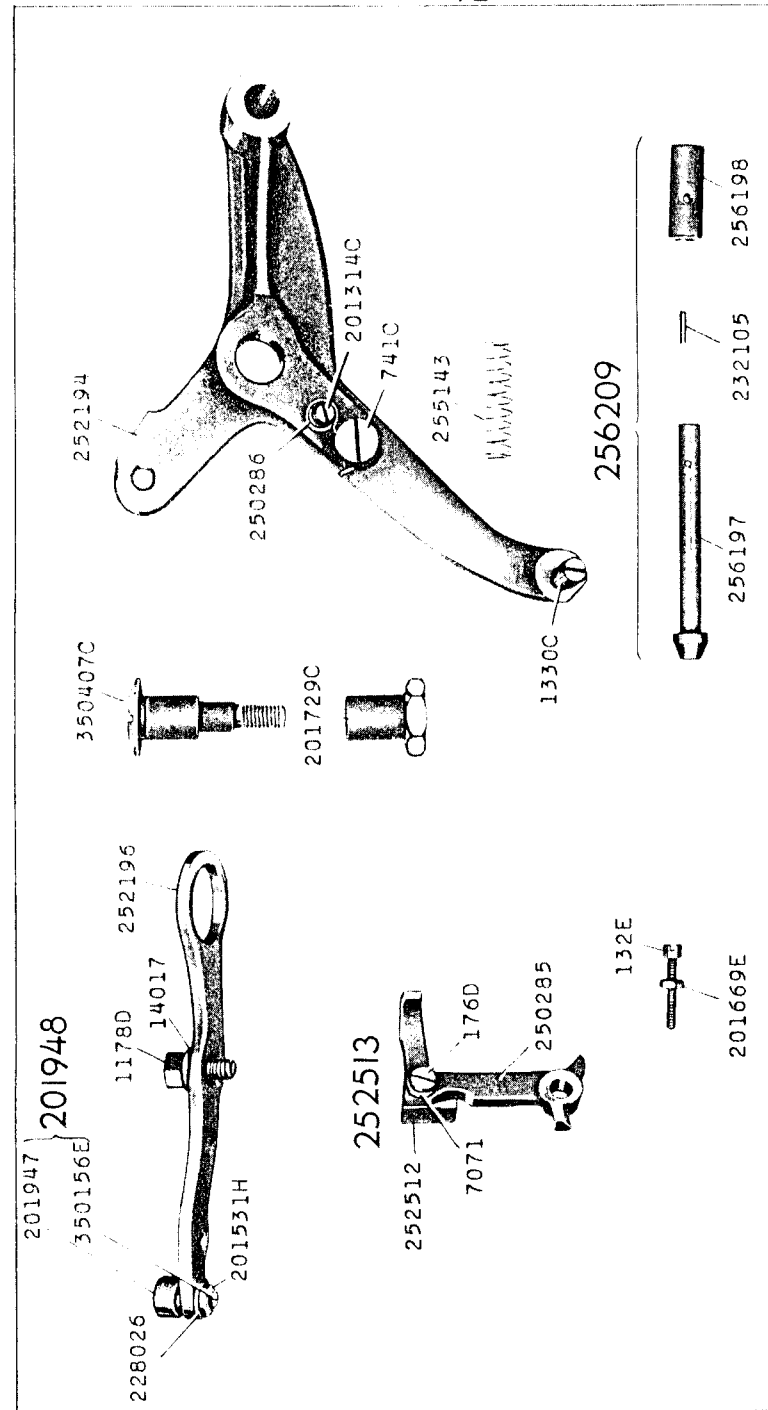
16405 - 1/3



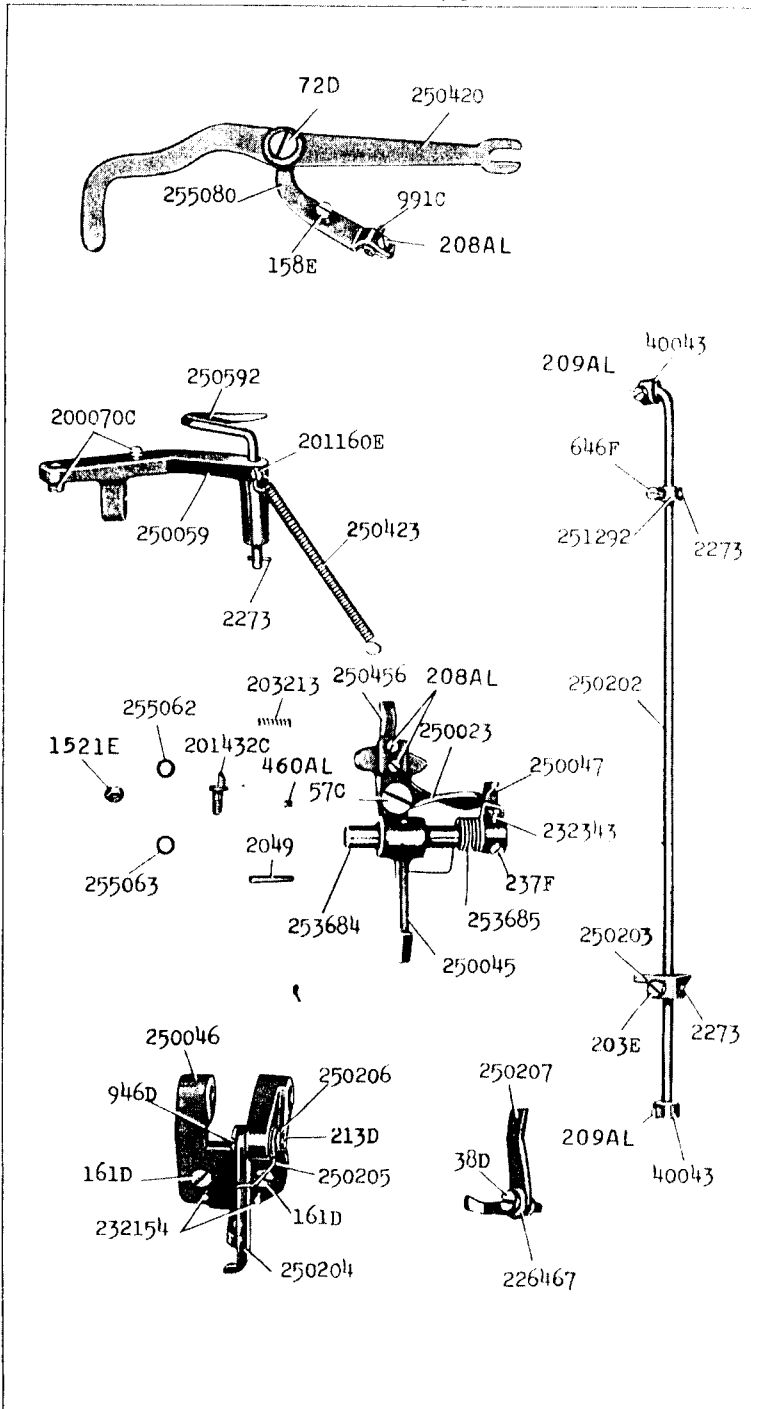
16406 - 1/2



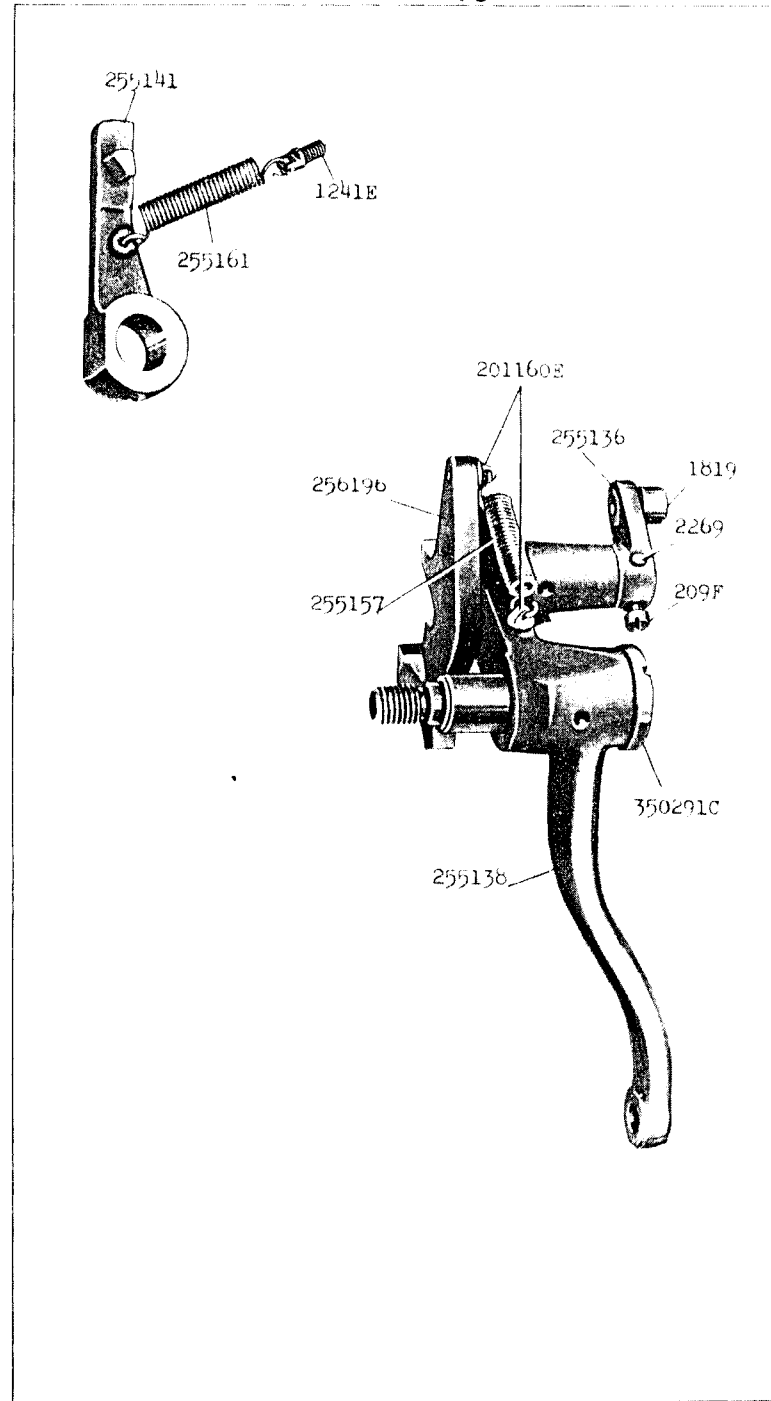
16407 - 1/2



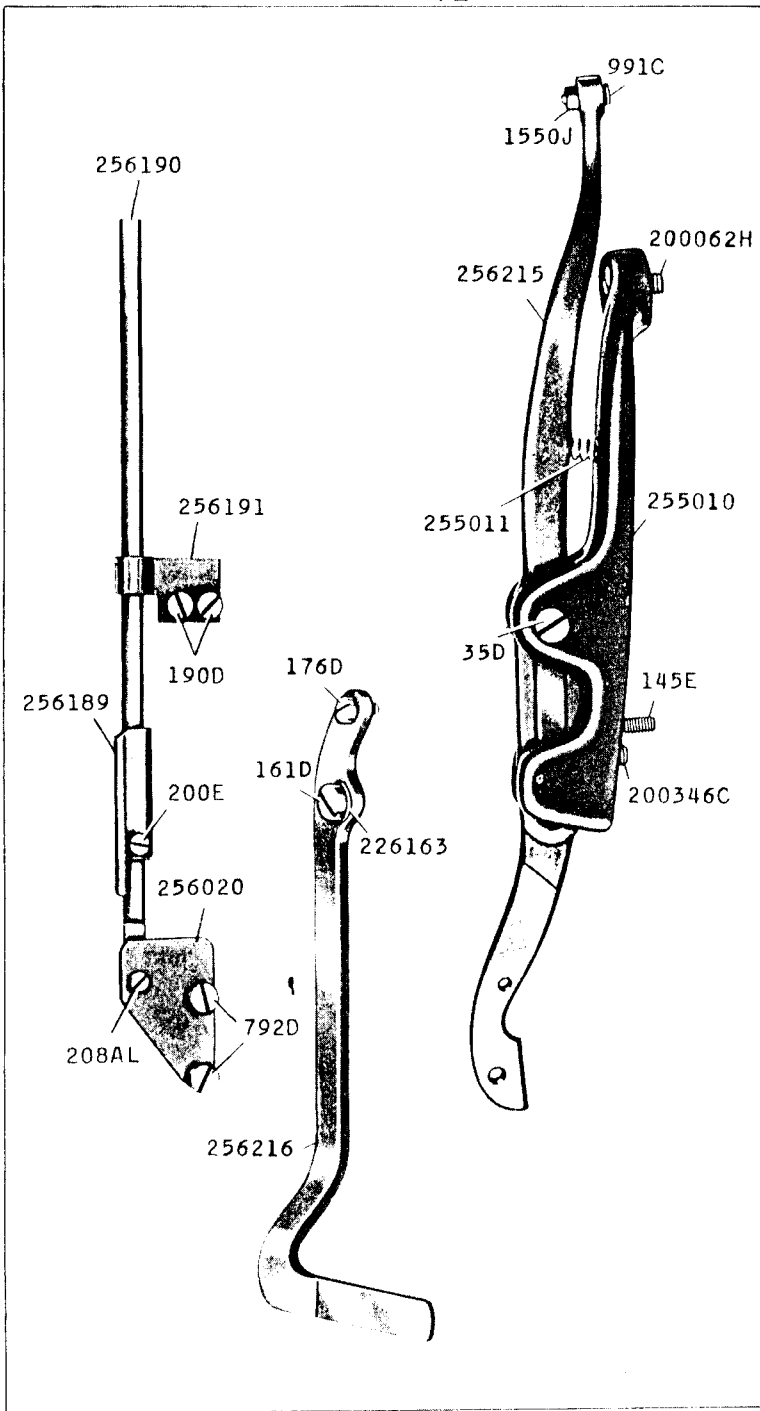
16408 - 1/3



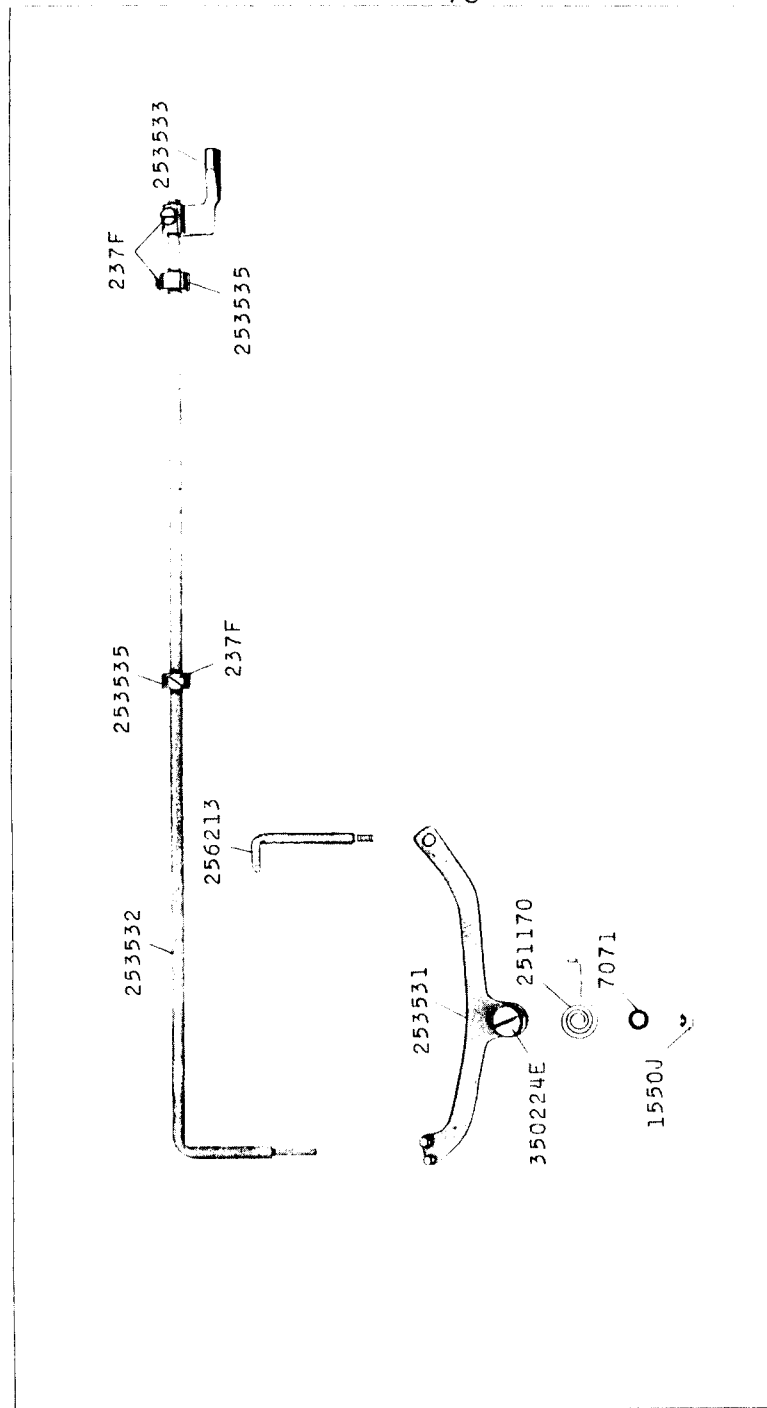
16409 - 2/3



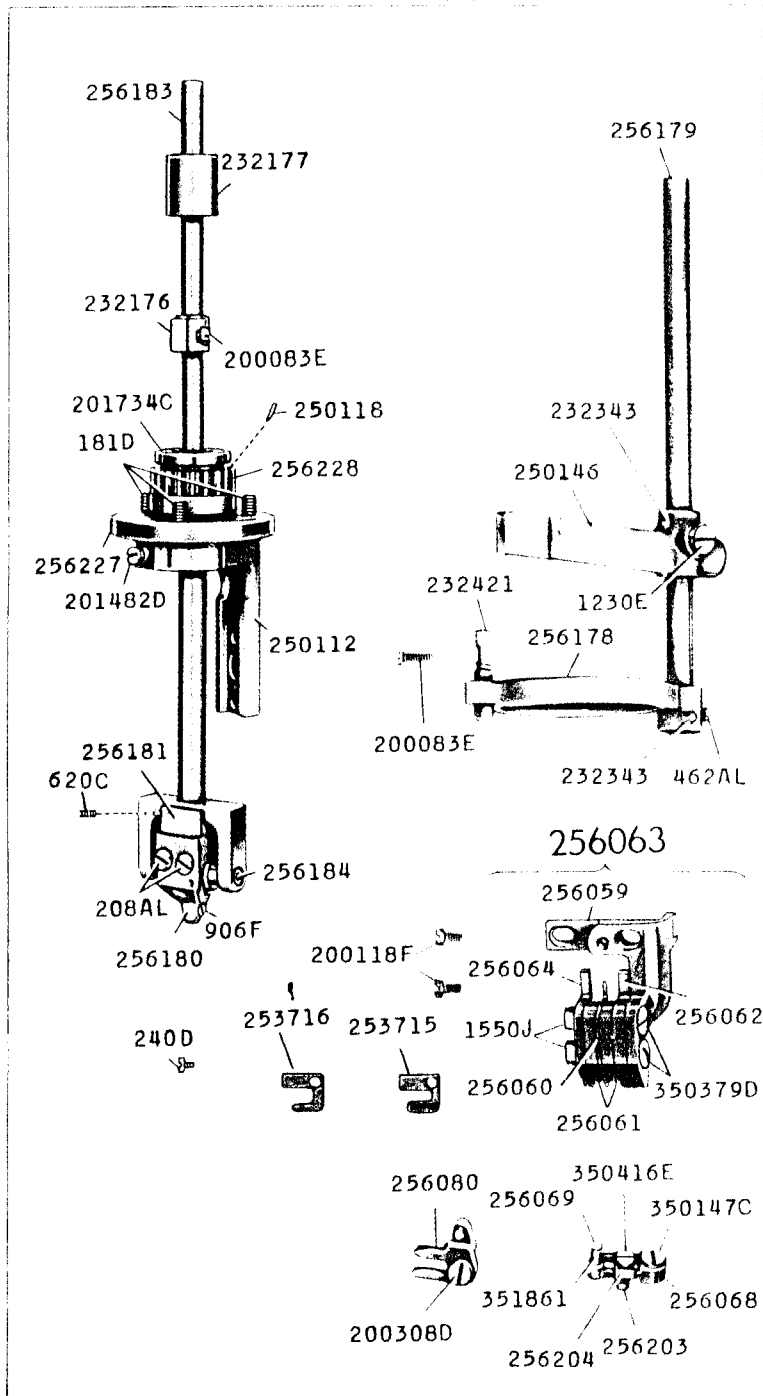
16412 - 1/2



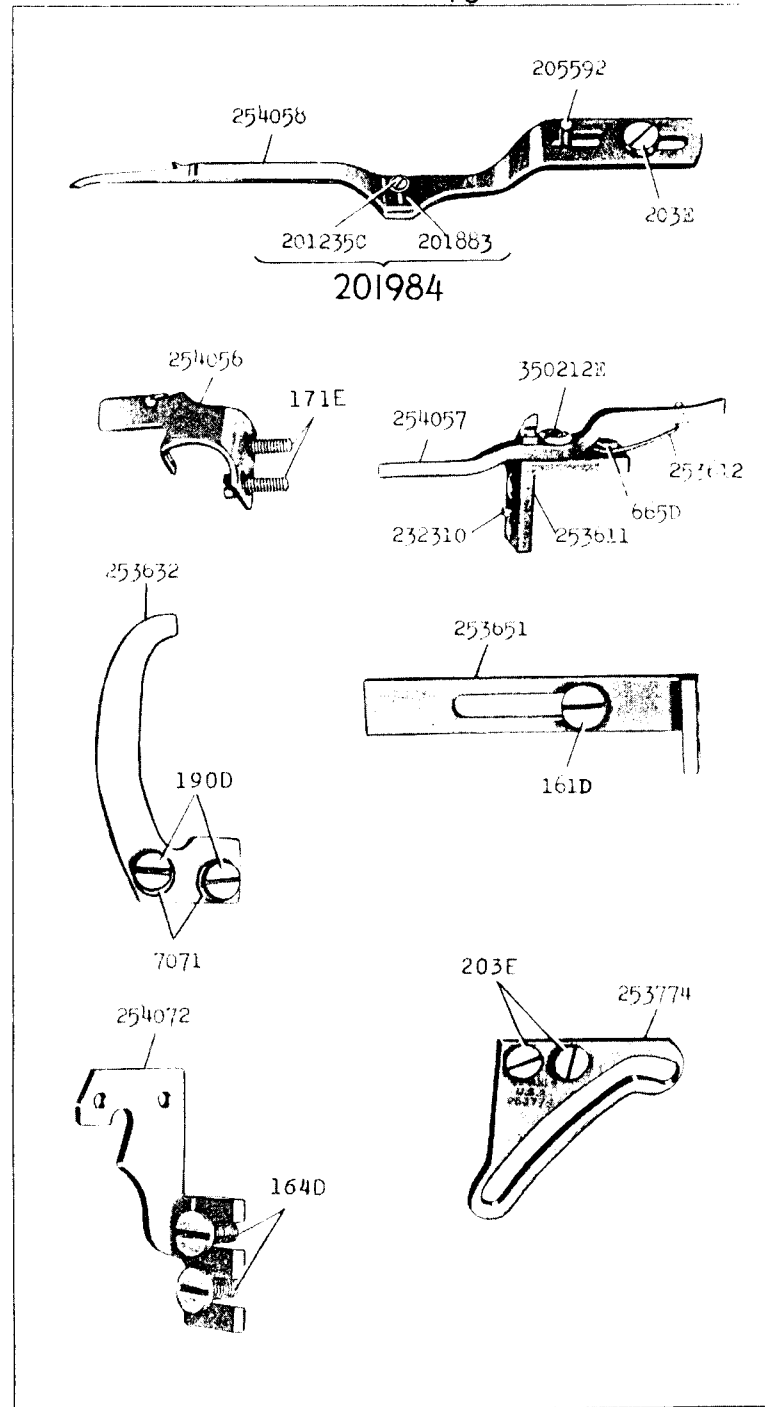
16415 - 3/8



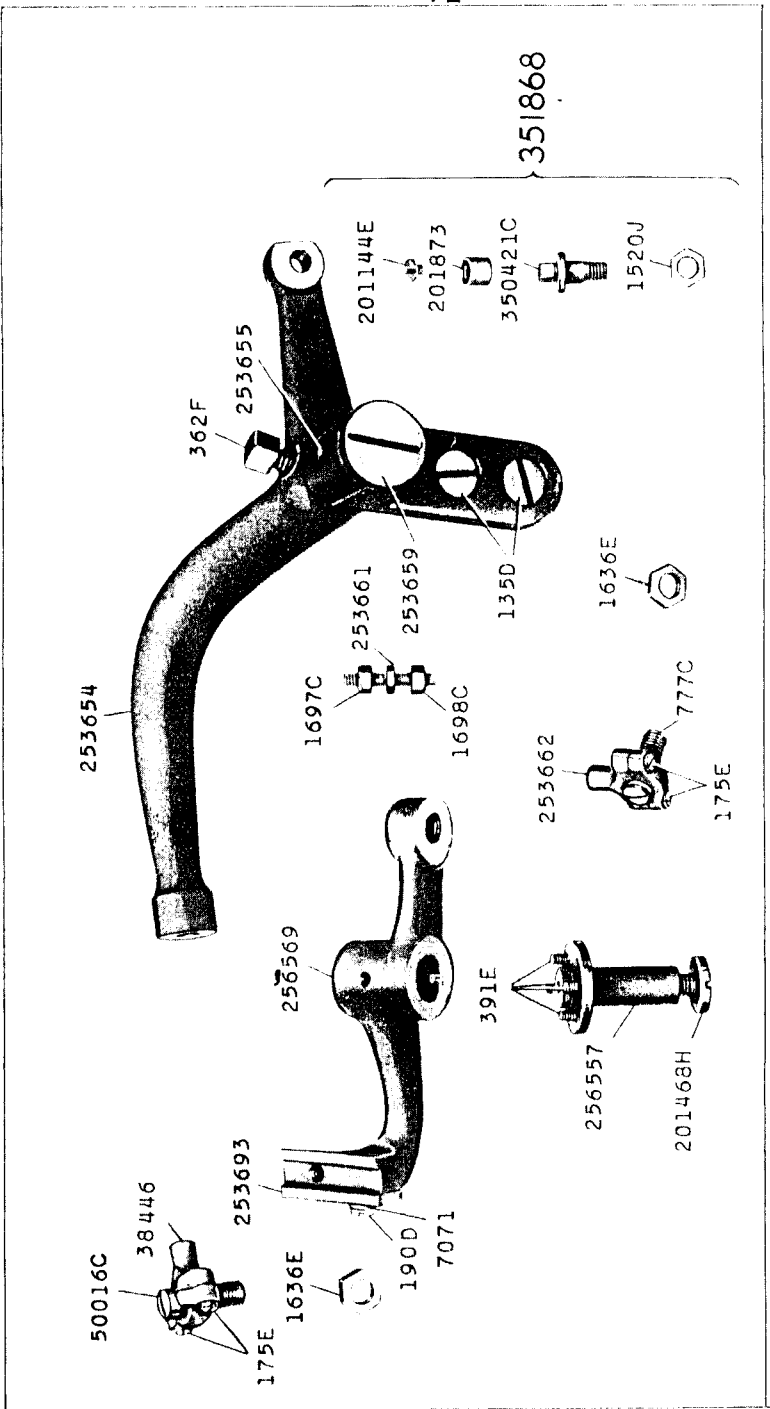
16416 - 1/2



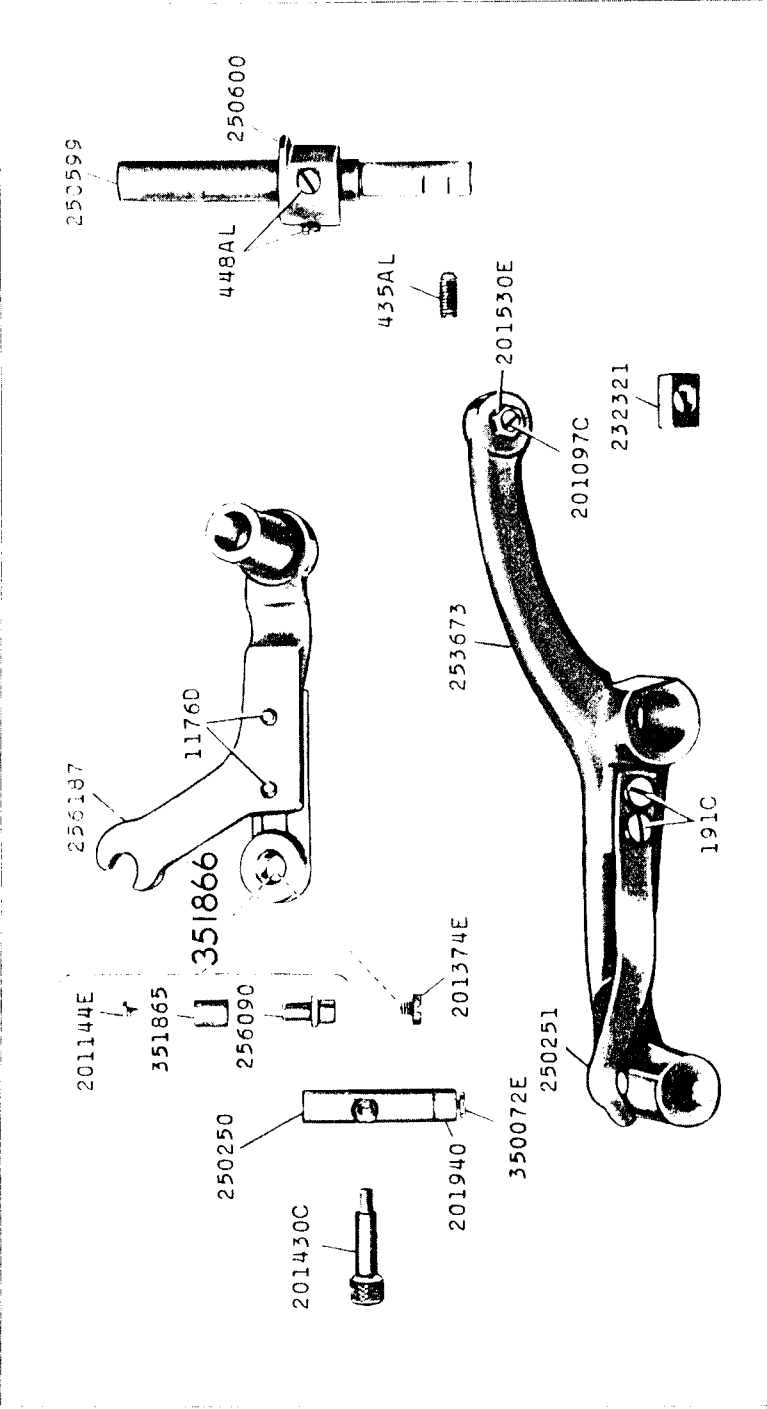
16417 - 2/3



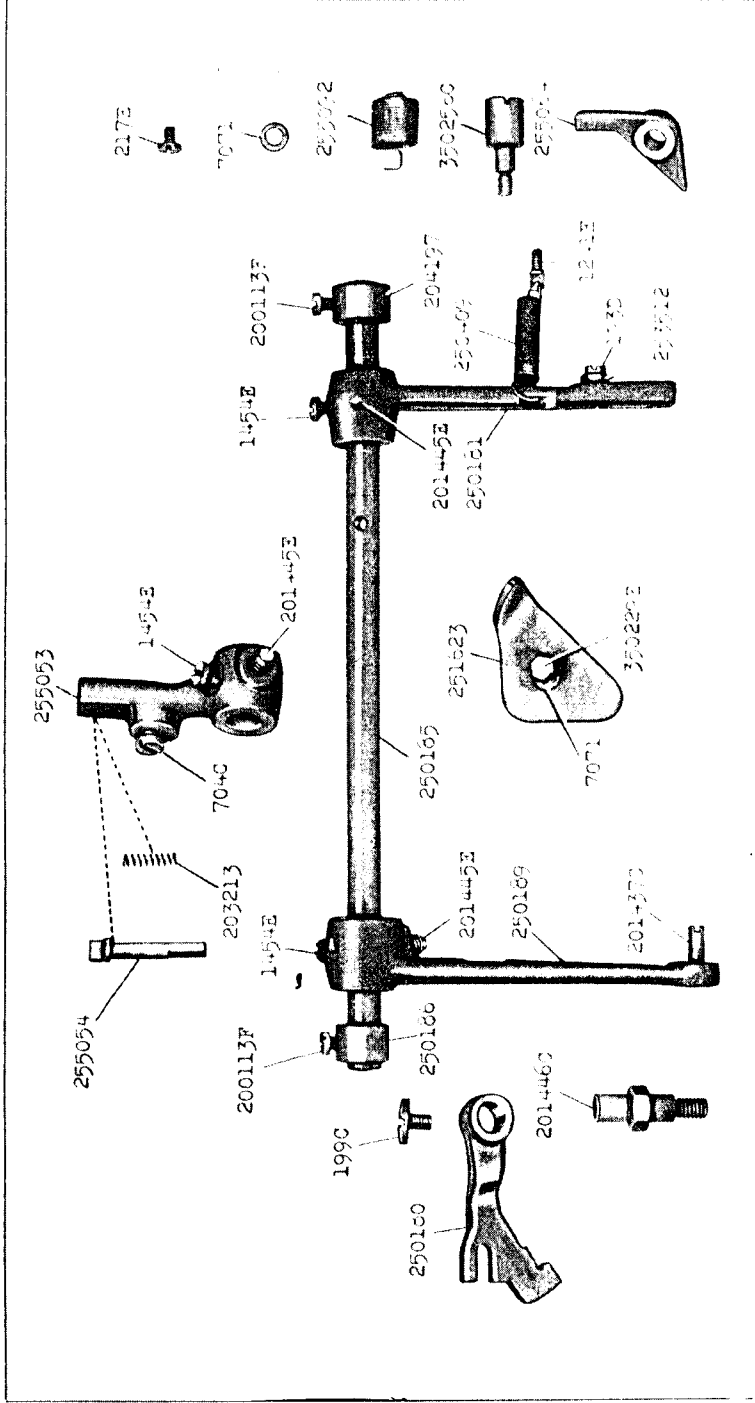
16419 - 1/2



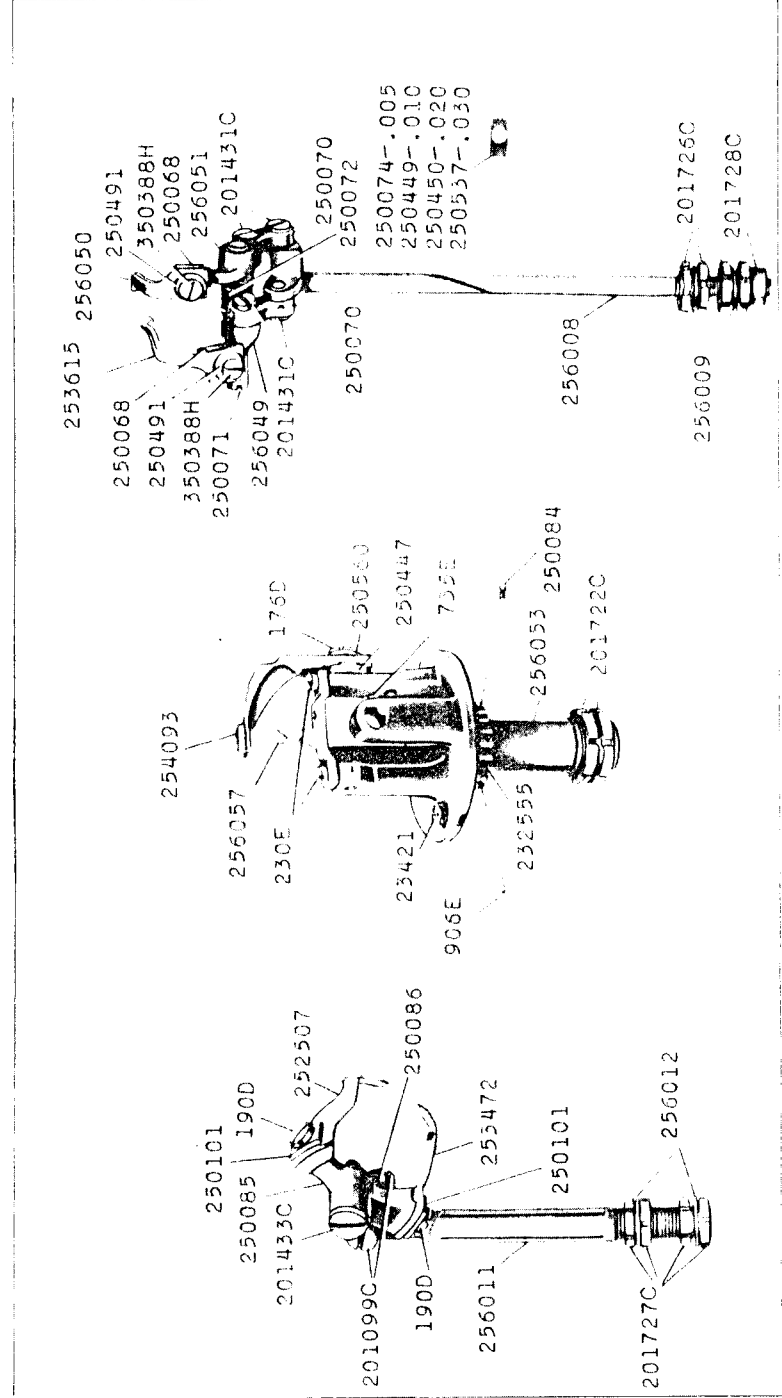
16420 - 1/2



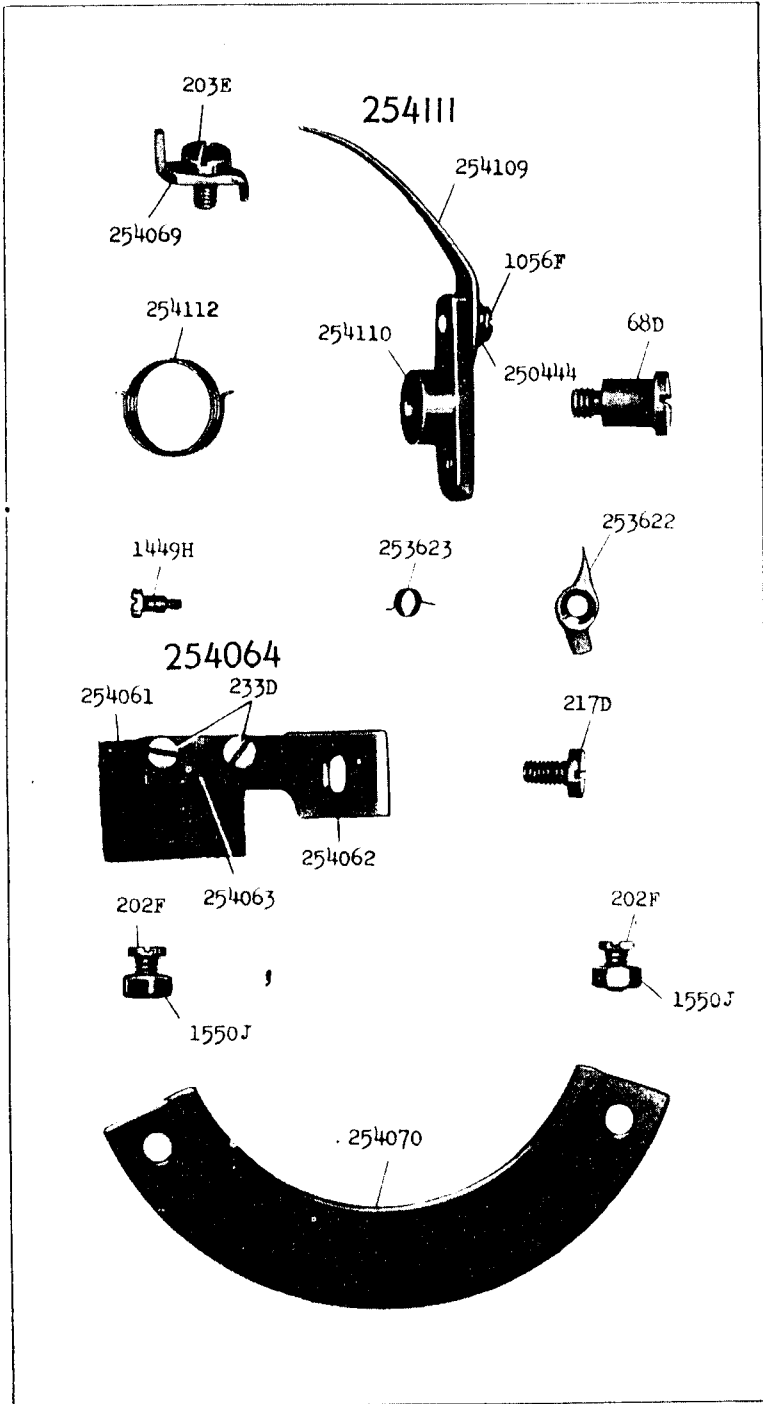
16421 - 1/2



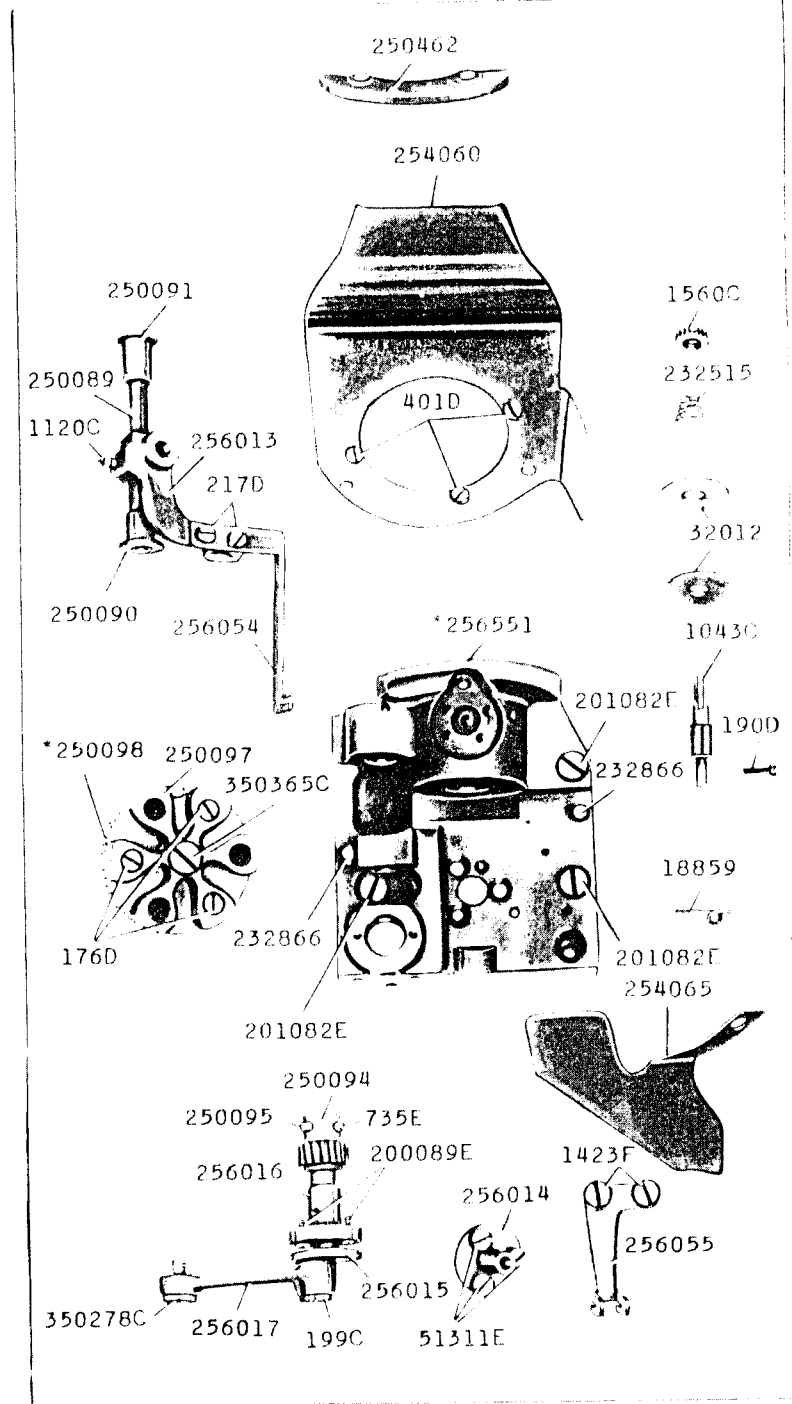
16422 - 1/2



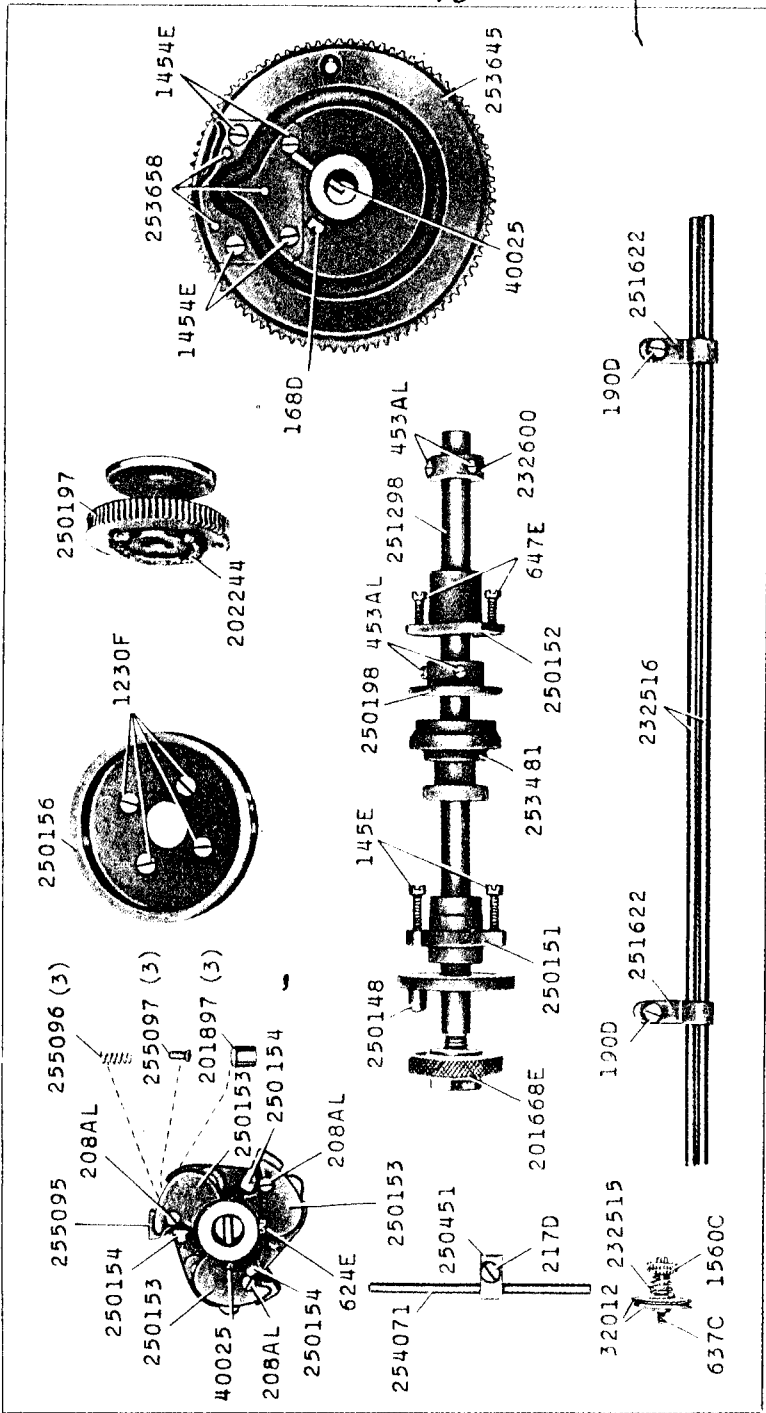
16423



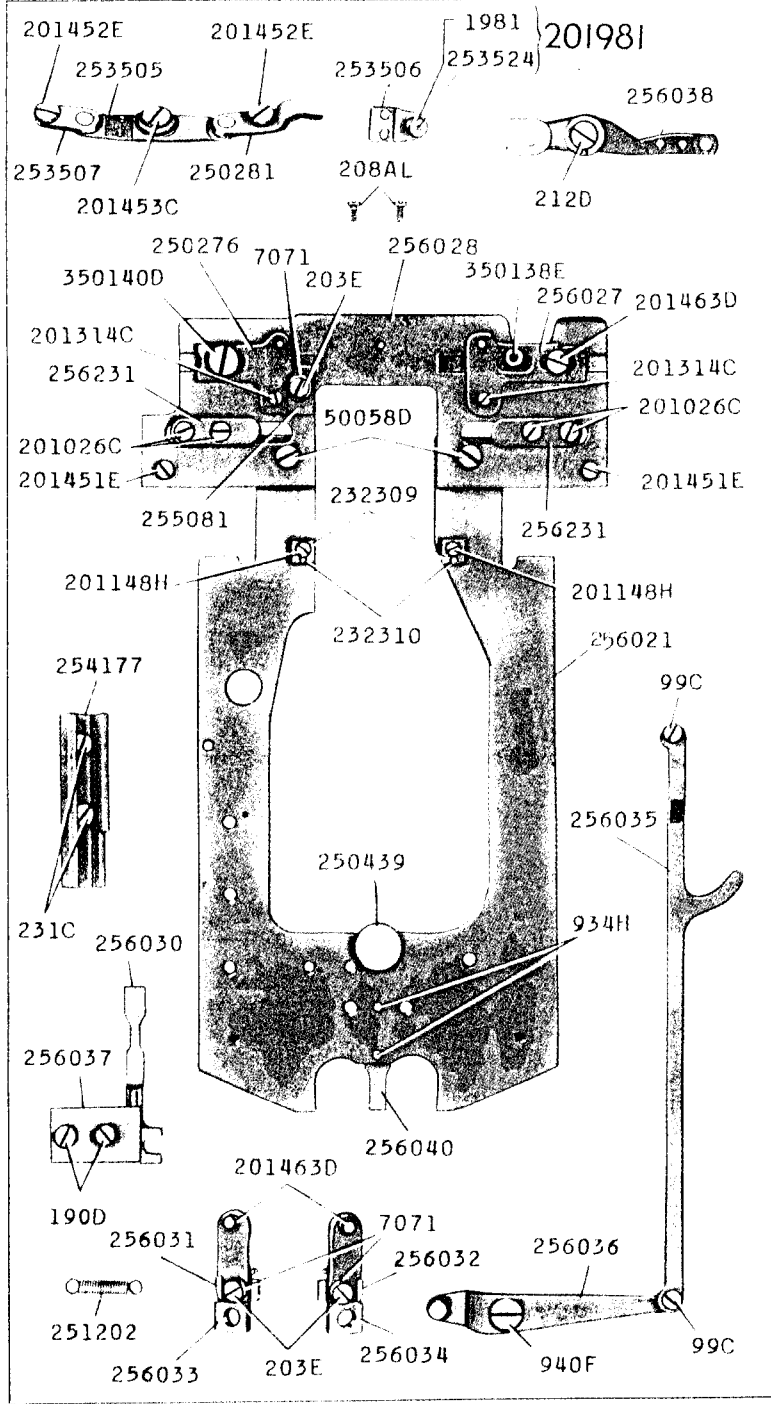
16424 - 3/8



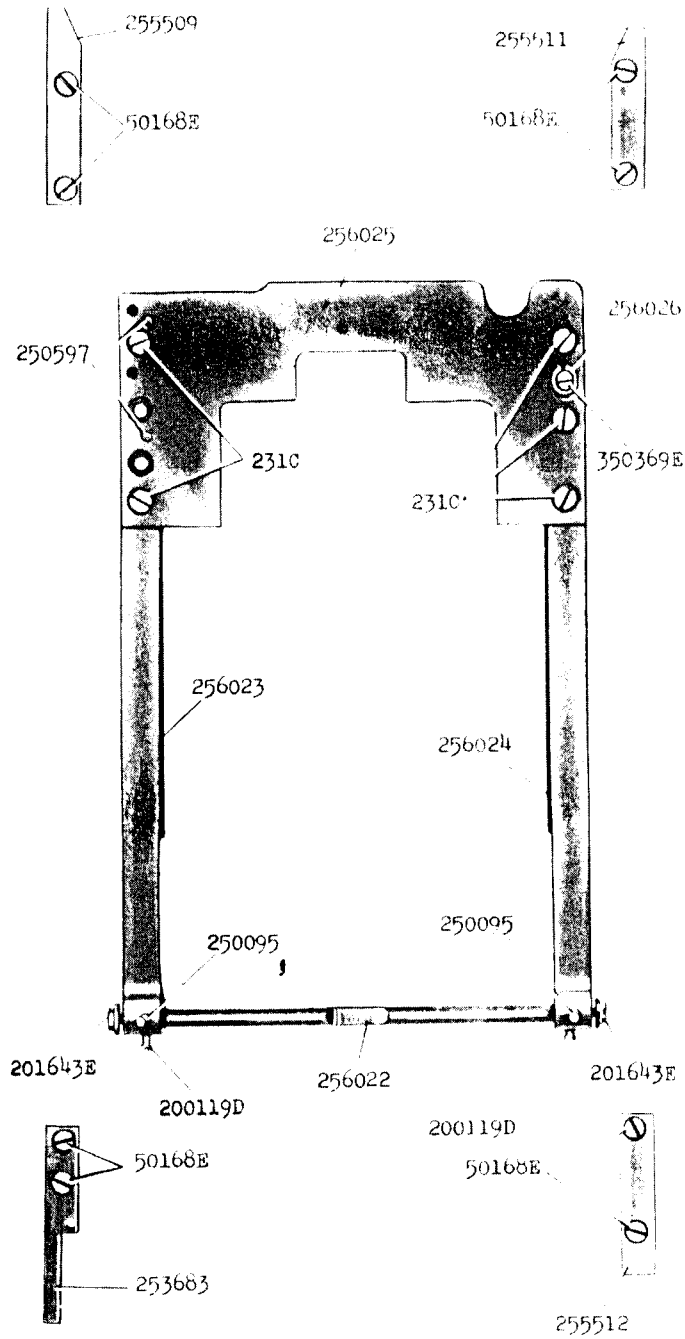
16426 - 1/3



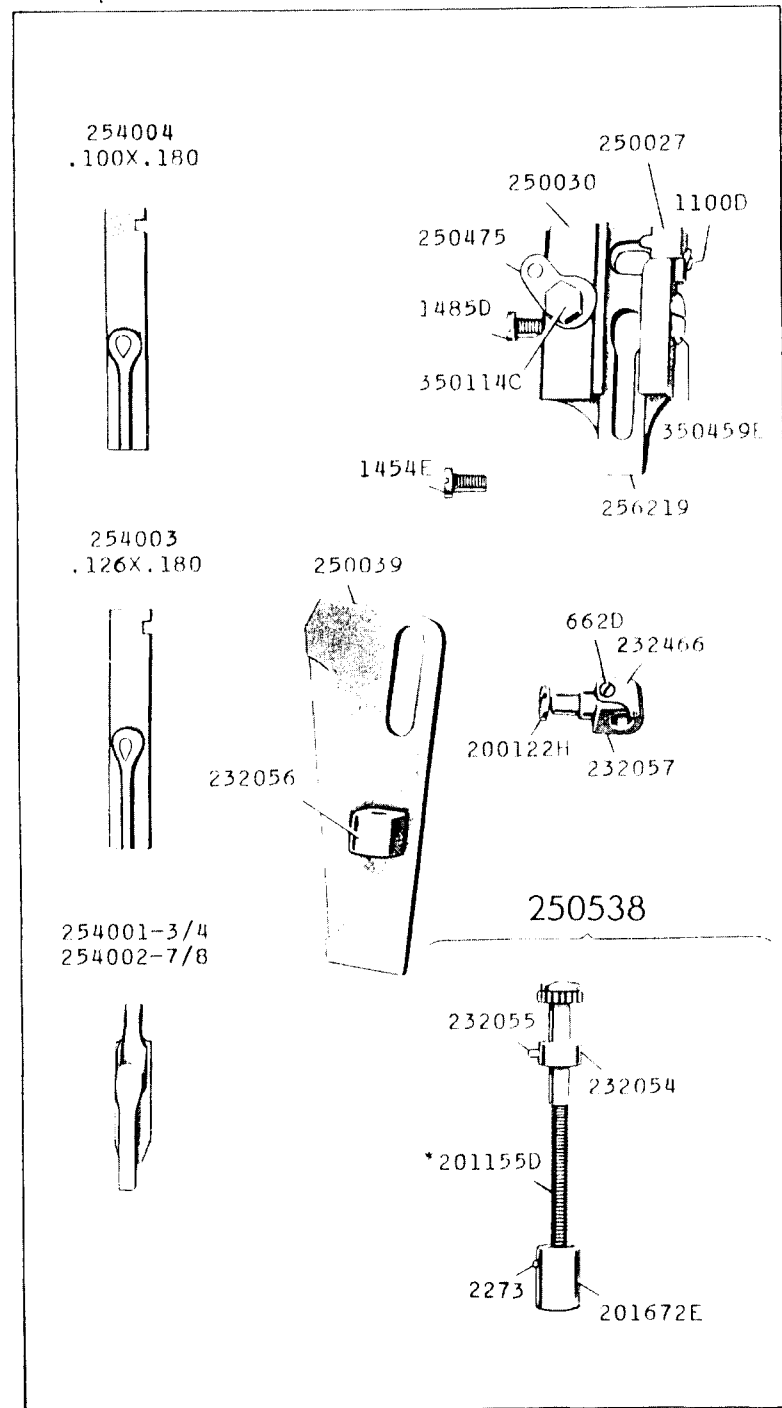
16427 - 3/8



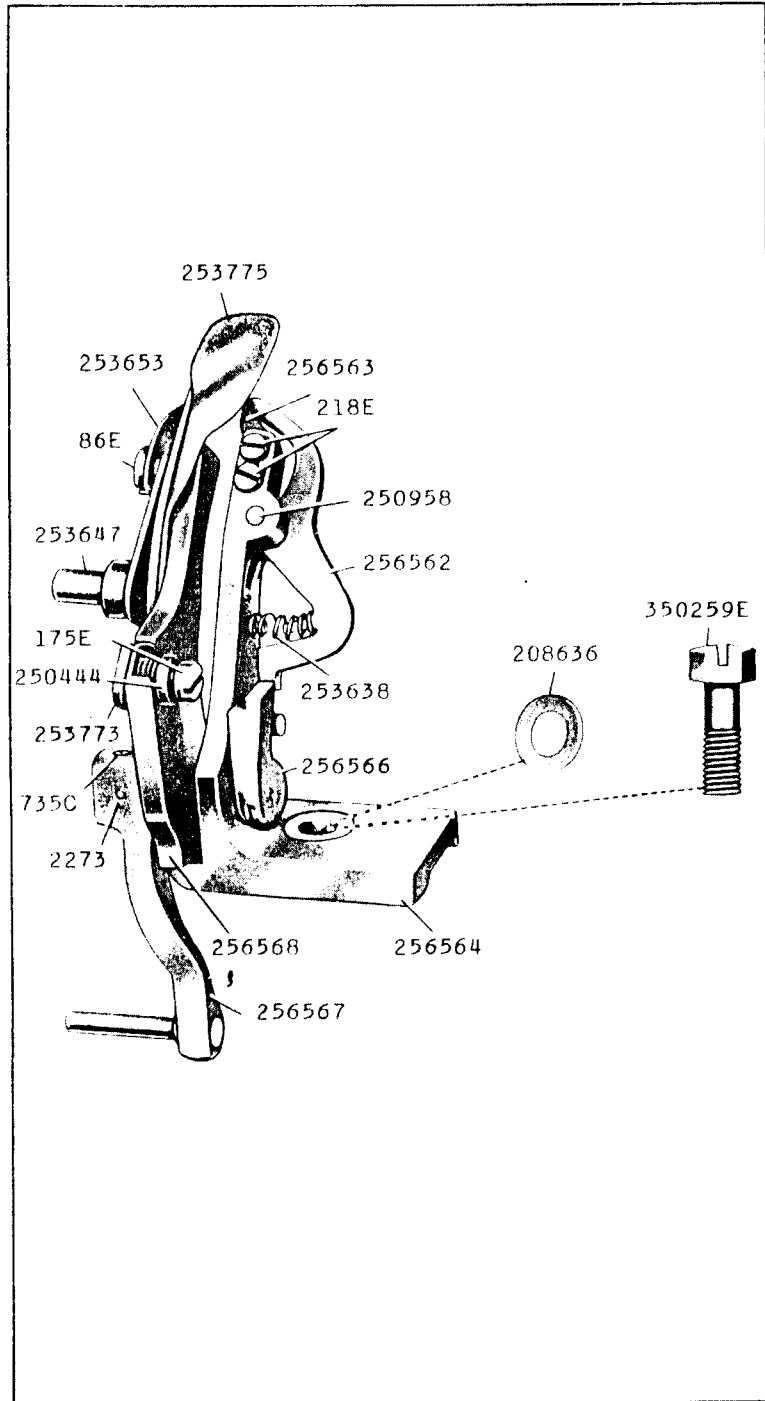
16428 - 3/8



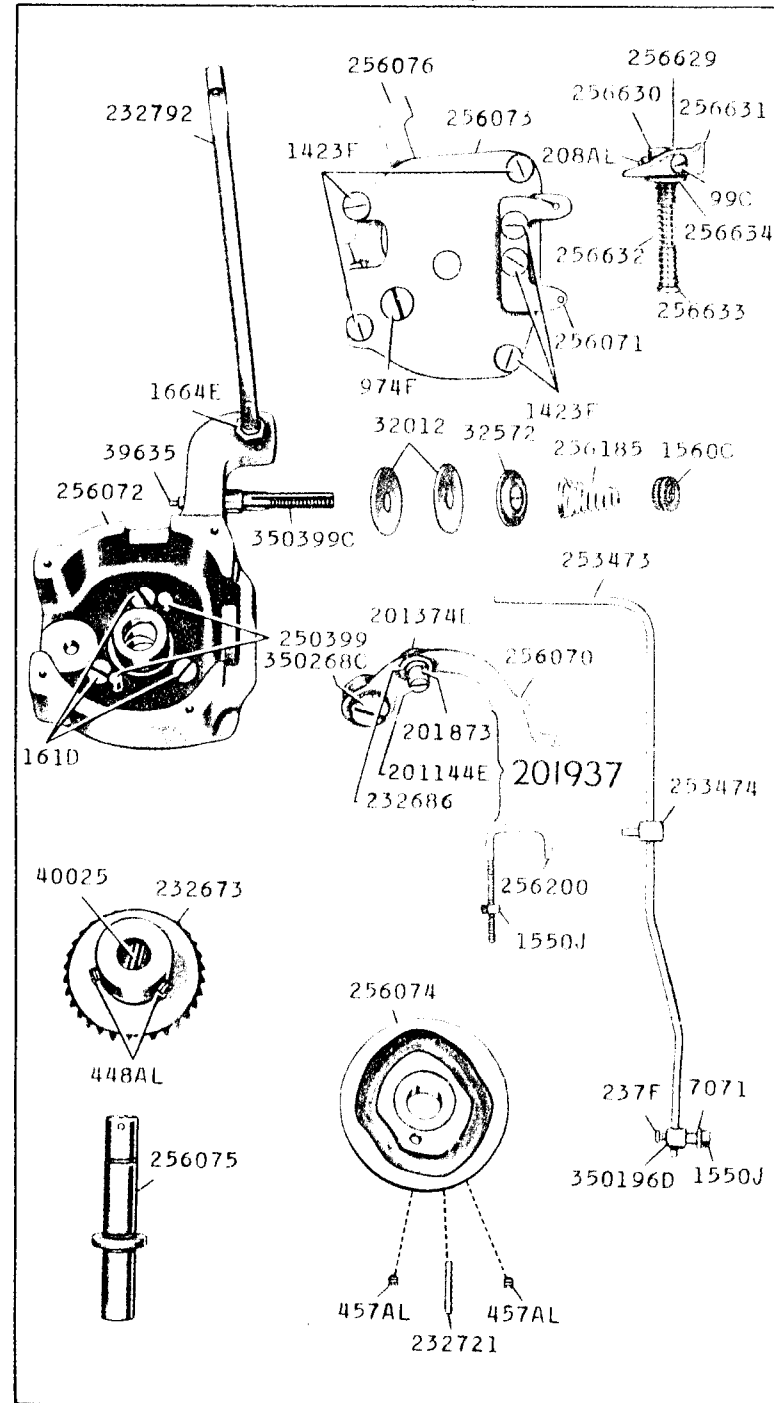
17409 - 2/3



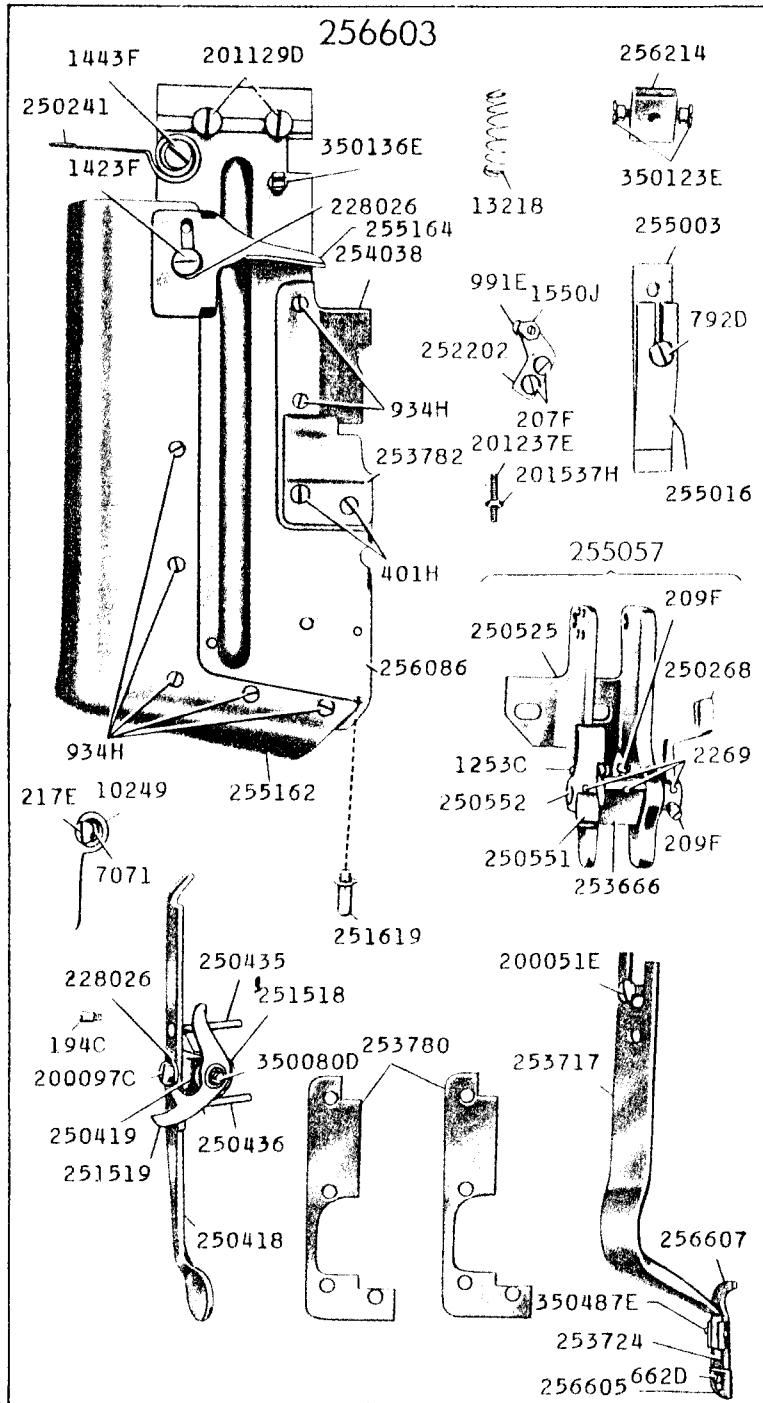
17412



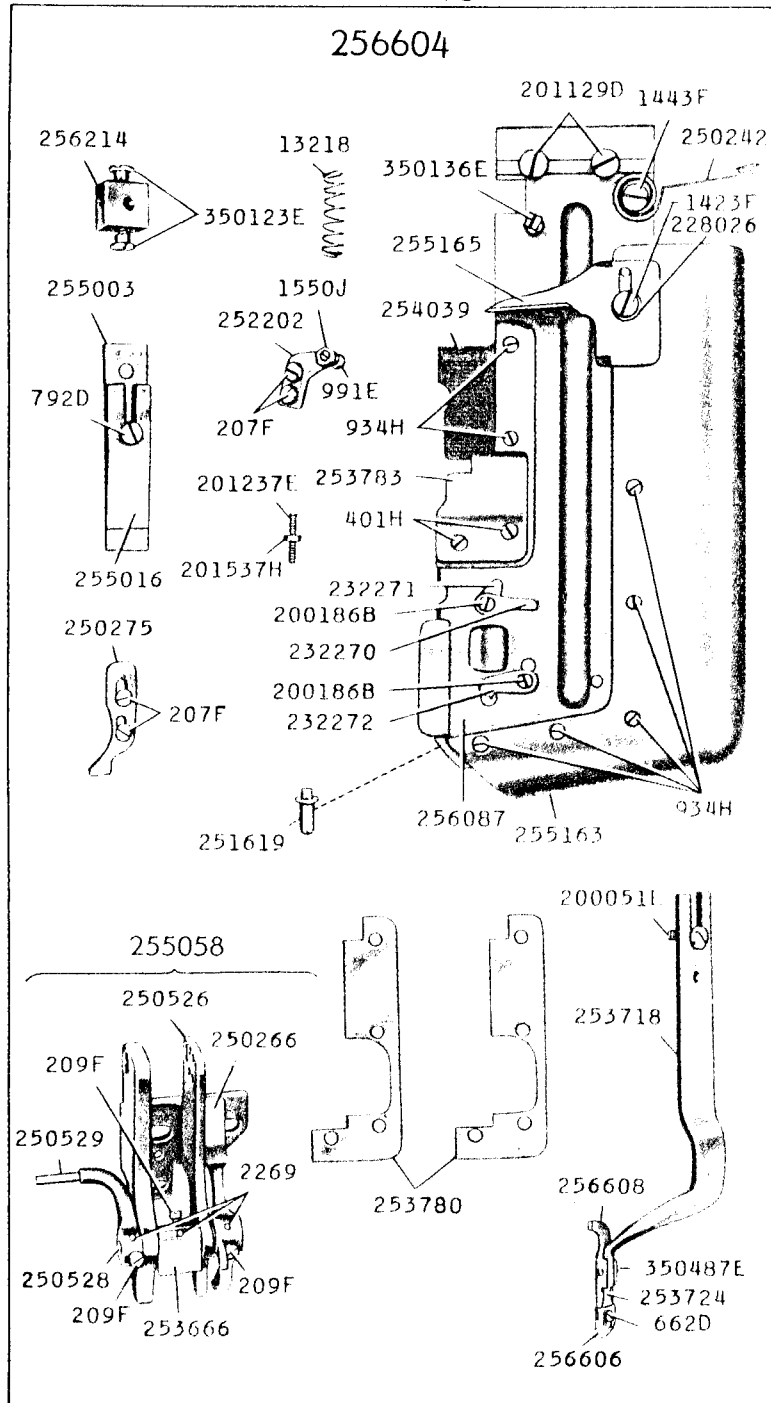
17413 - 3/8



17414 - 3/8



17415 - 3/8

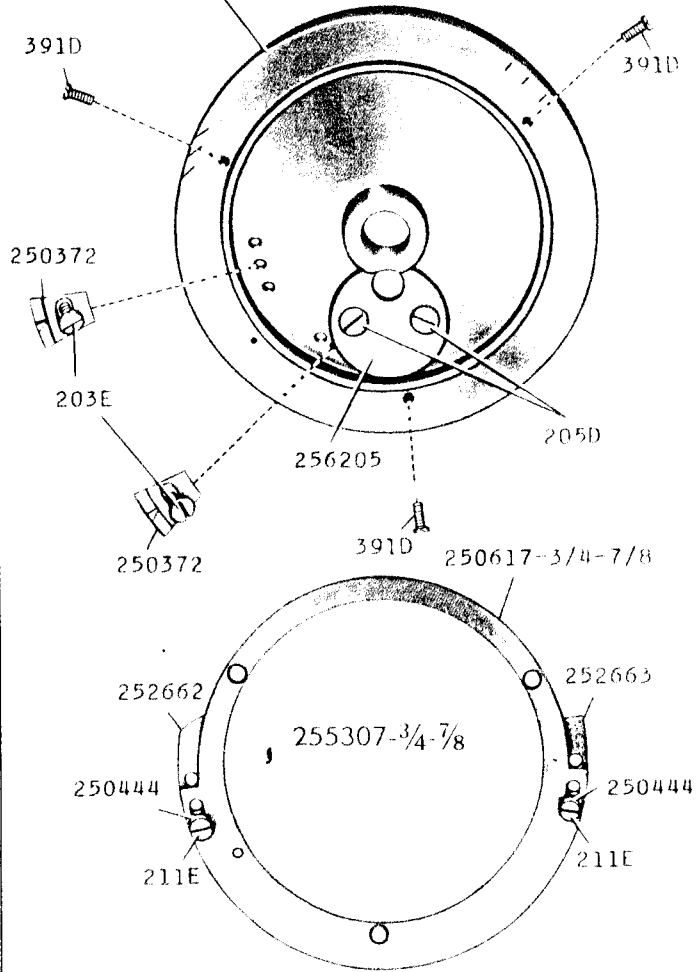


17416 - 1/2

254023 254024-3/4 .025

254025 254026-7/8 .025

T. B. (L)

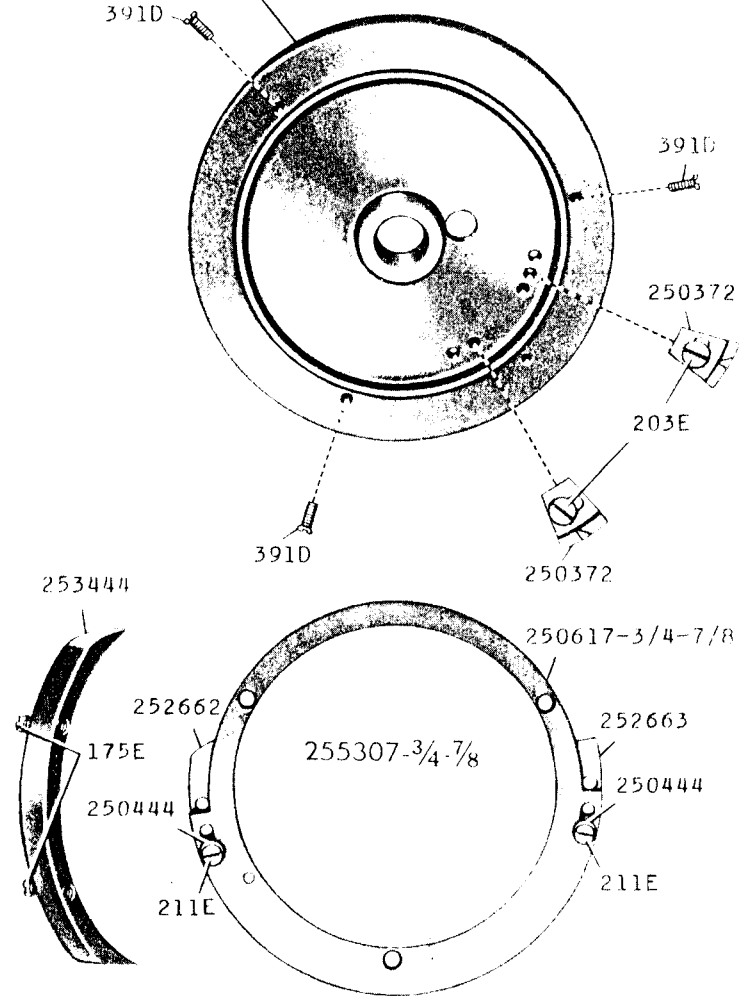


17417 - 1/2

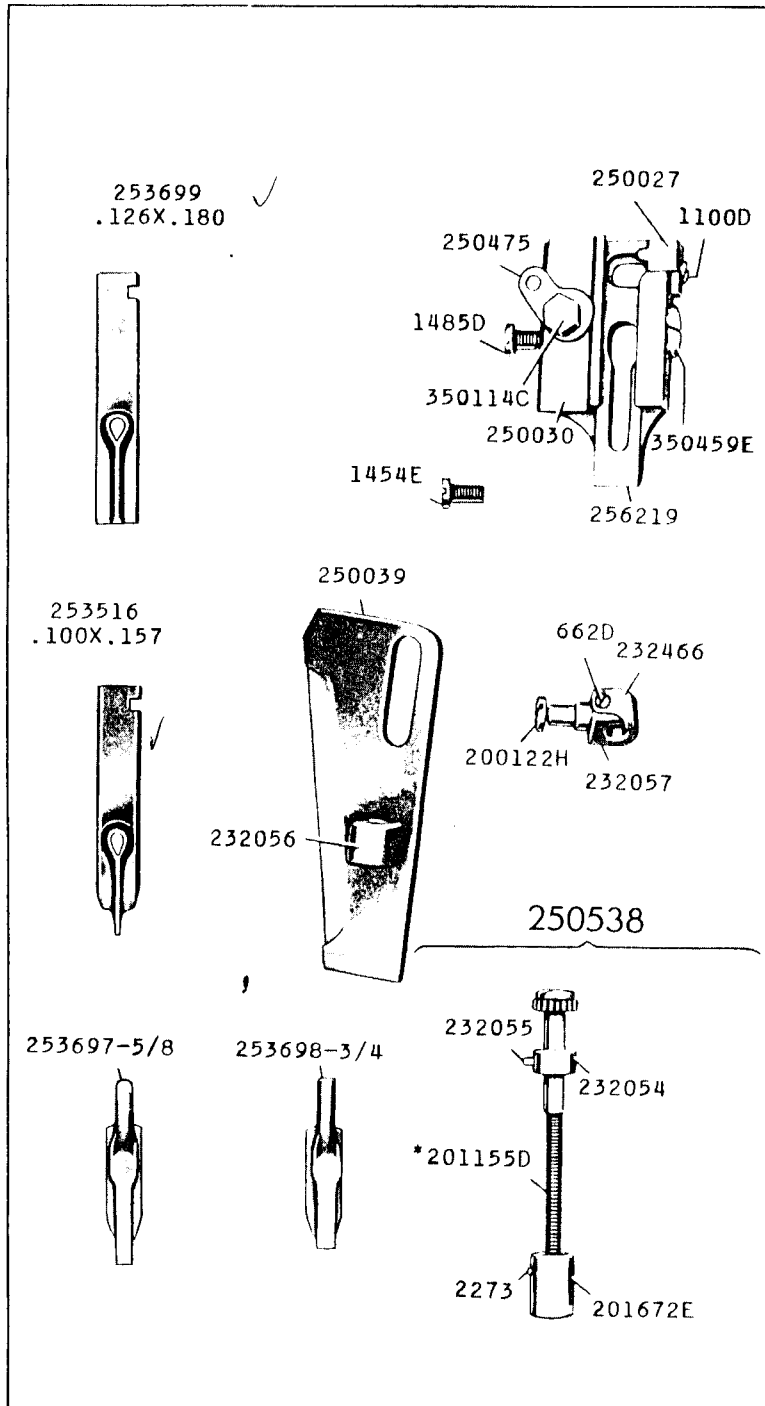
254007 254008-3/4

254009 254010-7/8

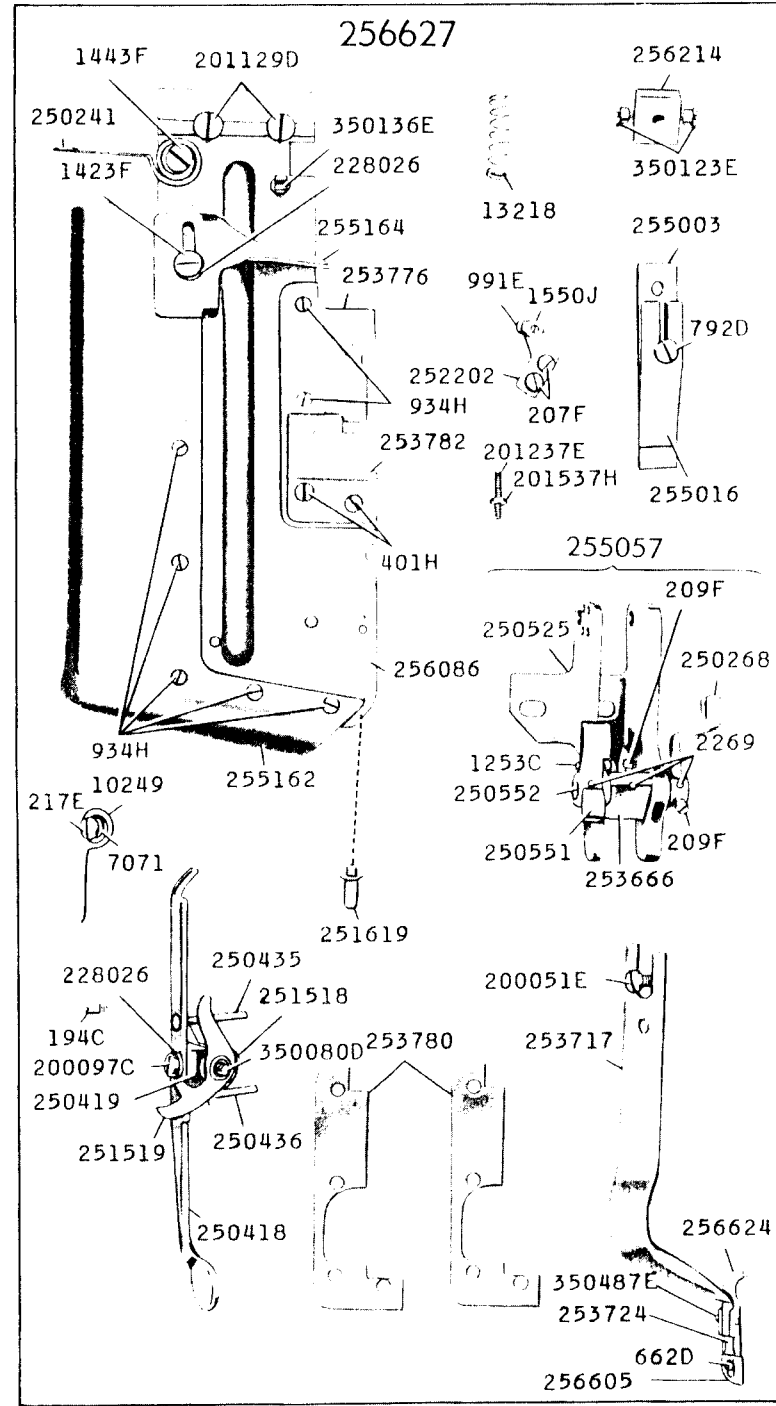
T. B. (L)



17418 - 2/3

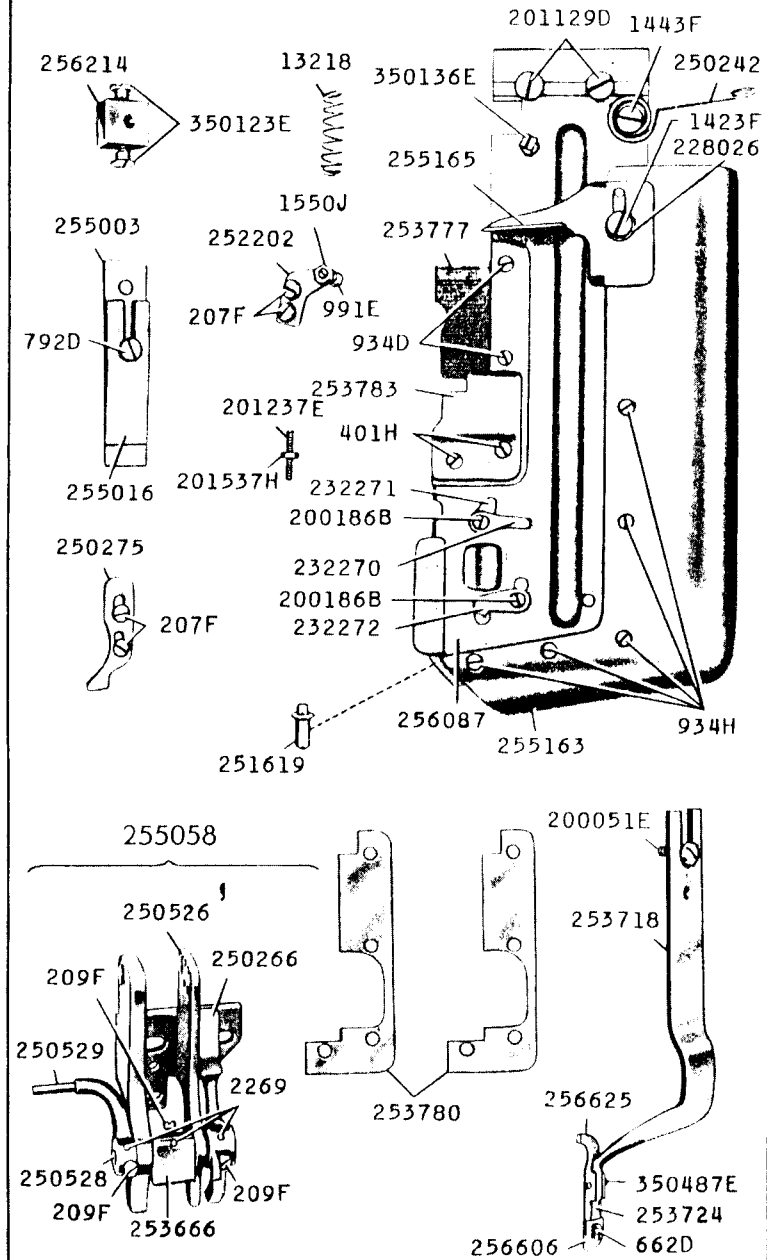


17419 - 3/8



17420 - 3/8

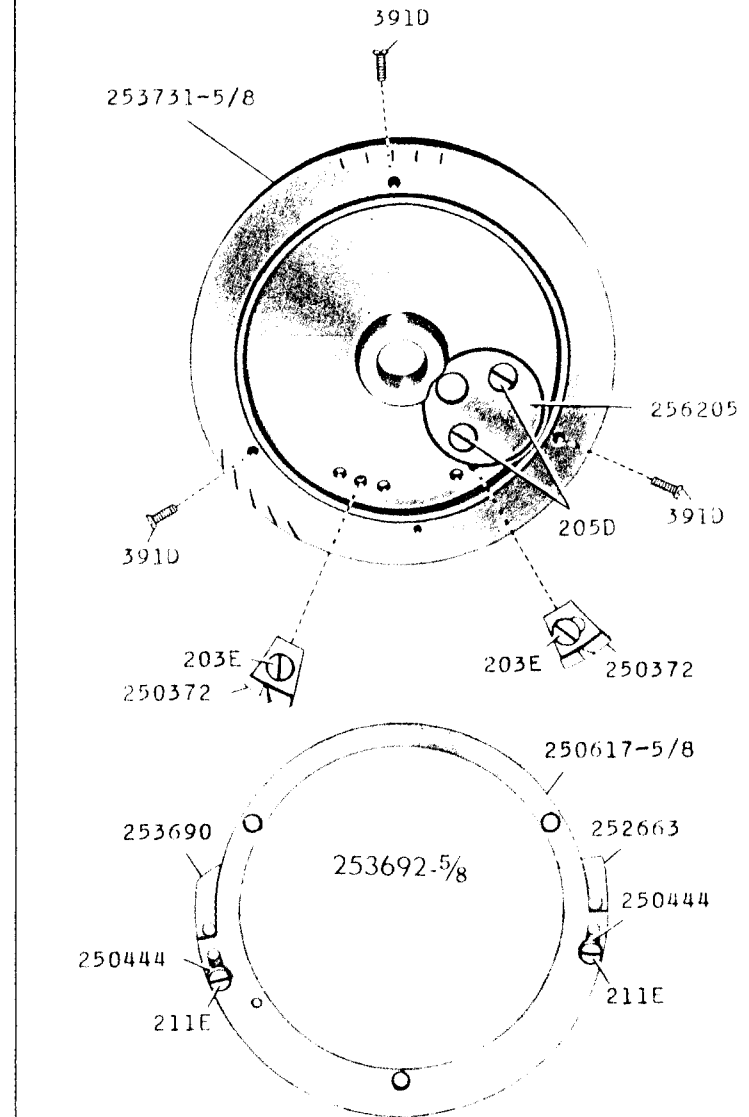
256628



17421 - 1/2

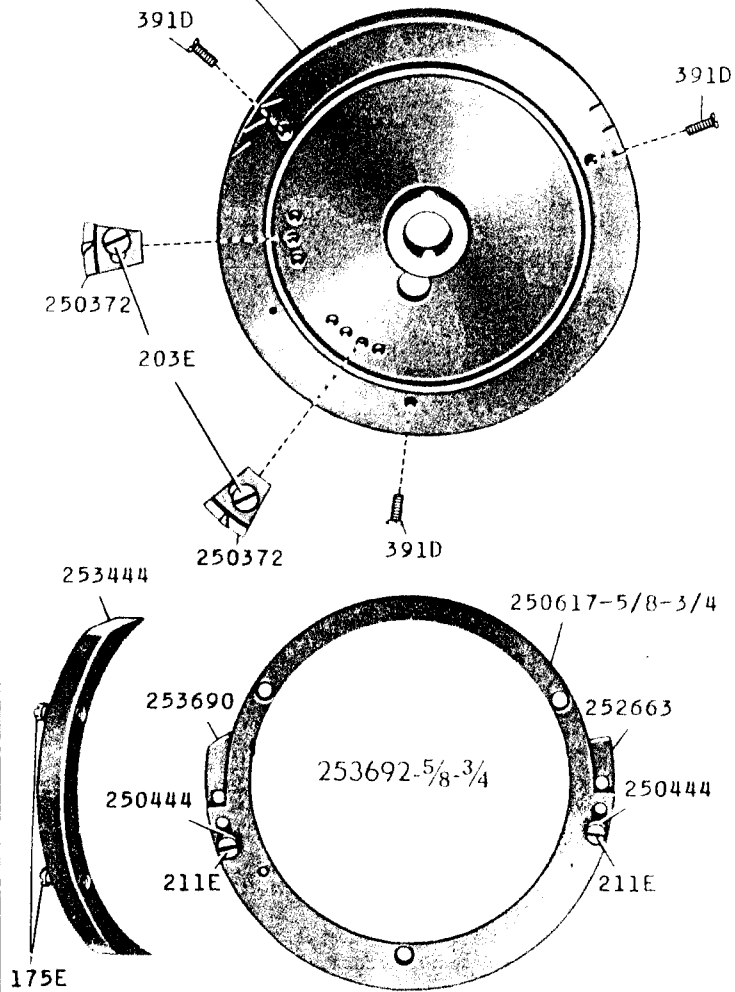
253732-5/8

T. B. (M)



17422 - 1/2

253643 253644-5/8
253686 253687-3/4
T. B. (L)



17423 - 1/2

253706 253707-5/8 .025
253708 253709-3/4 .025
T. B. (L)

