

SINGER
99W132

Form 2554w

(1040)

Printed in U. S. A.

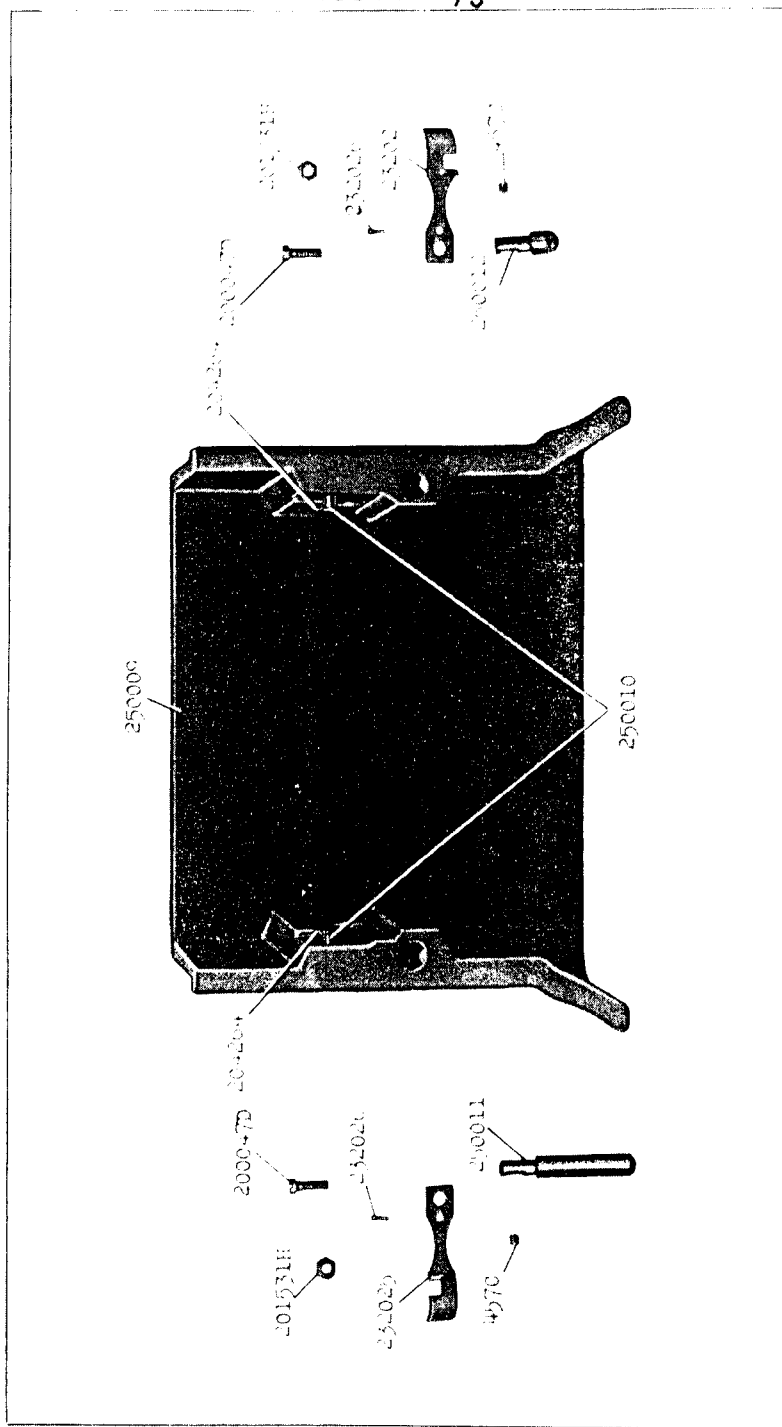
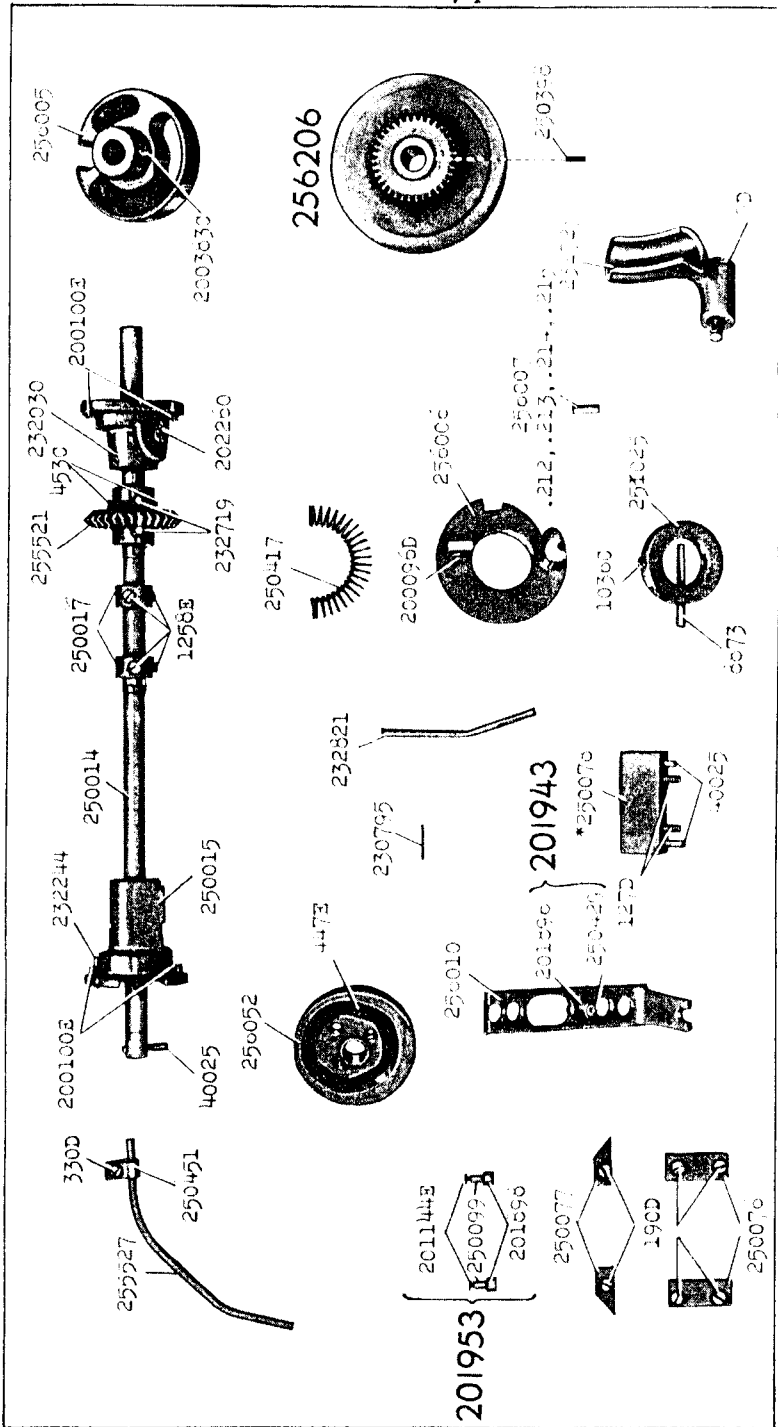
Book Cabinet

SINGER

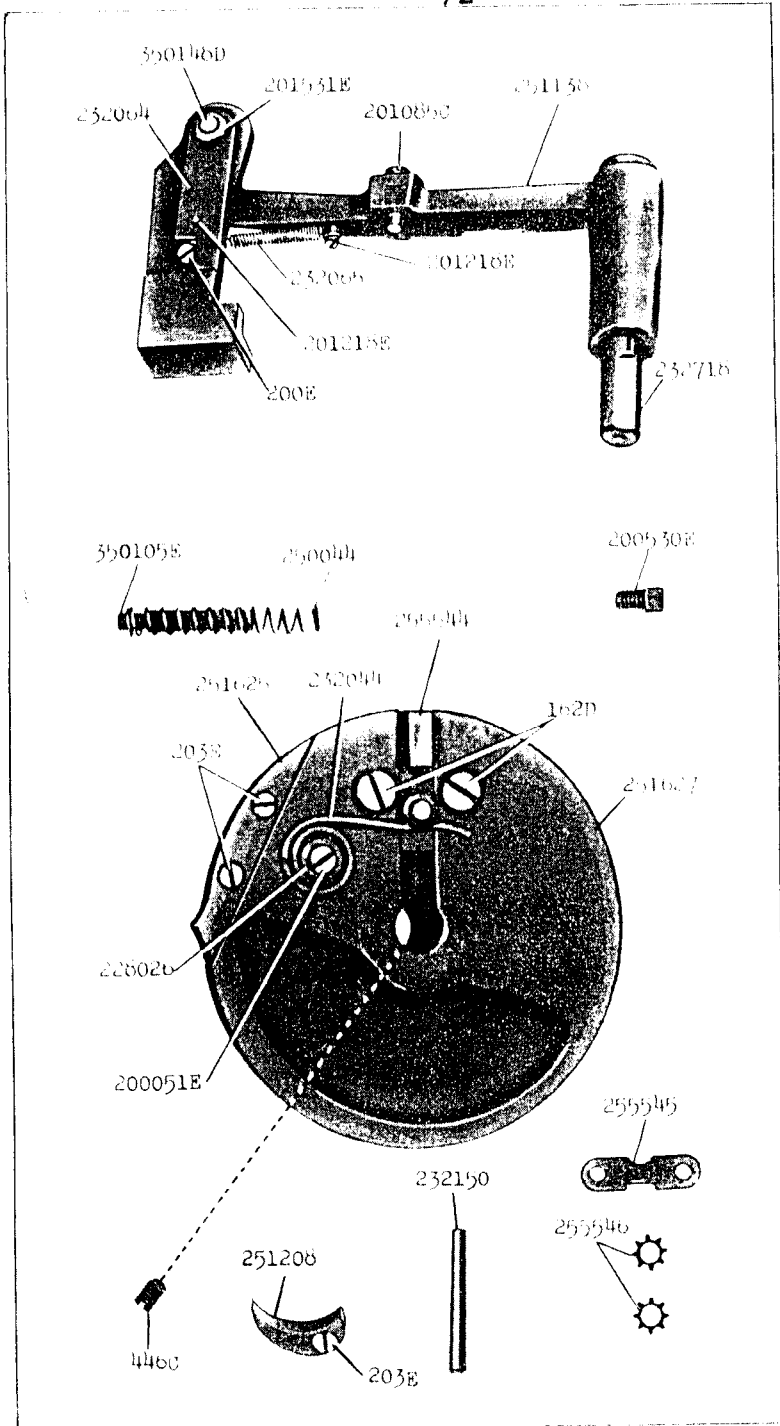
99w132



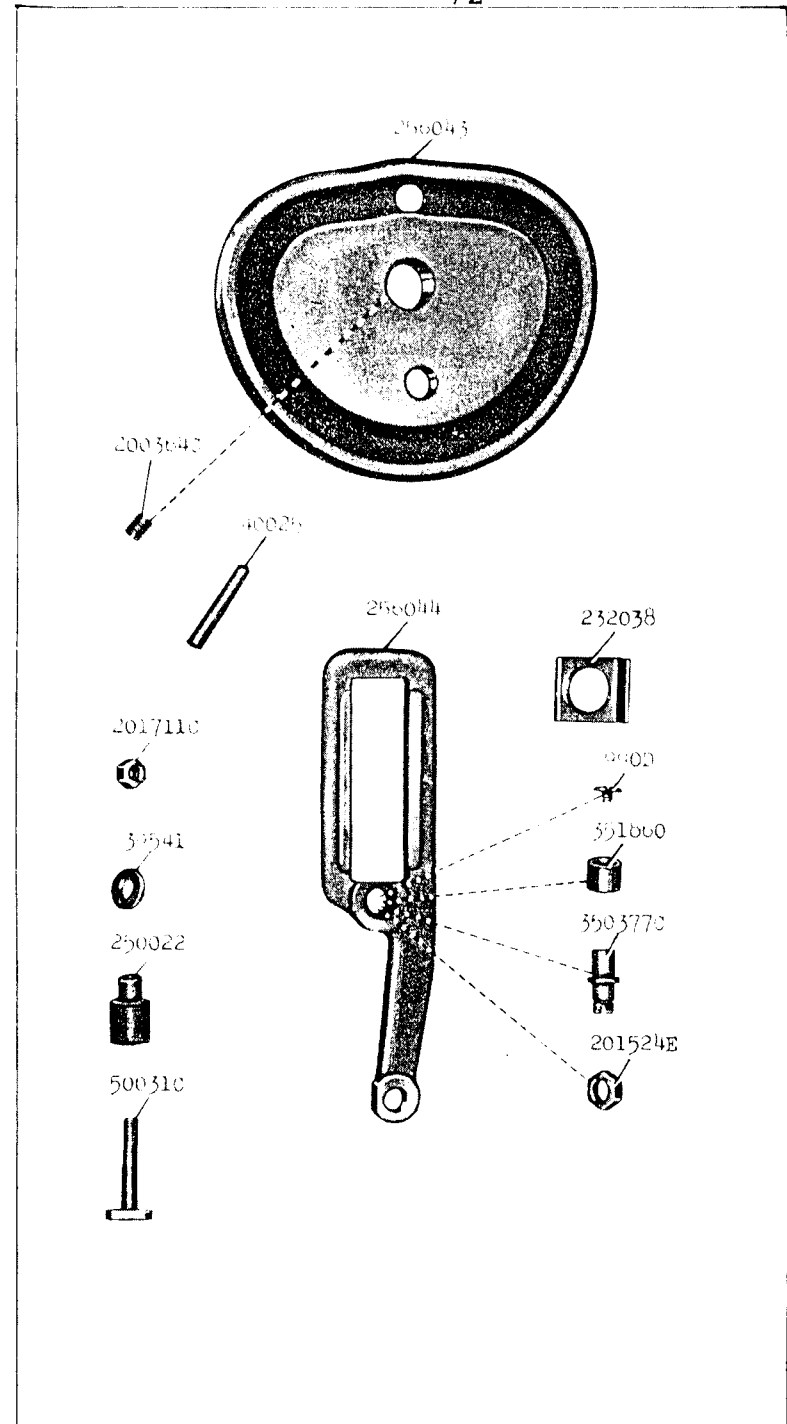
THE SINGER MANUFACTURING COMPANY



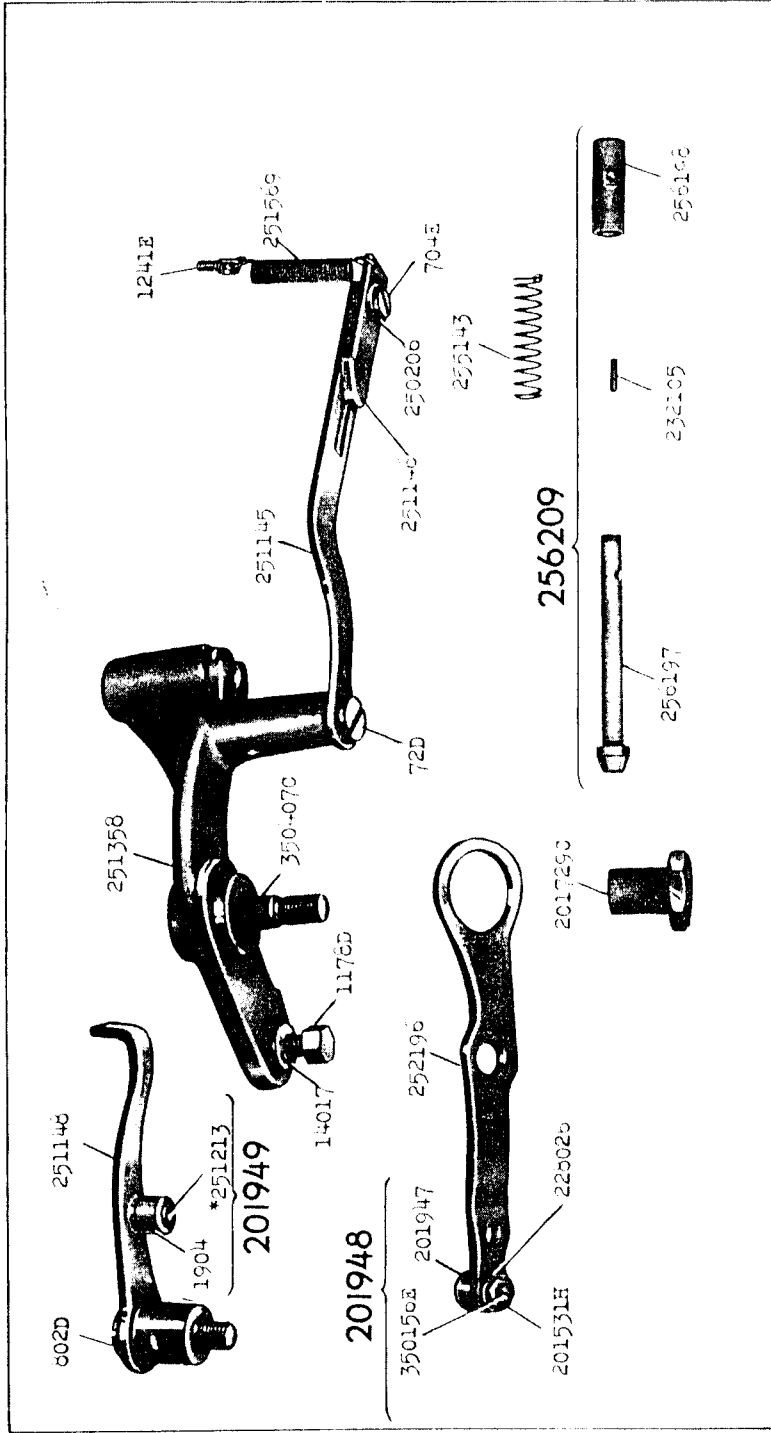
16354 - 1/2



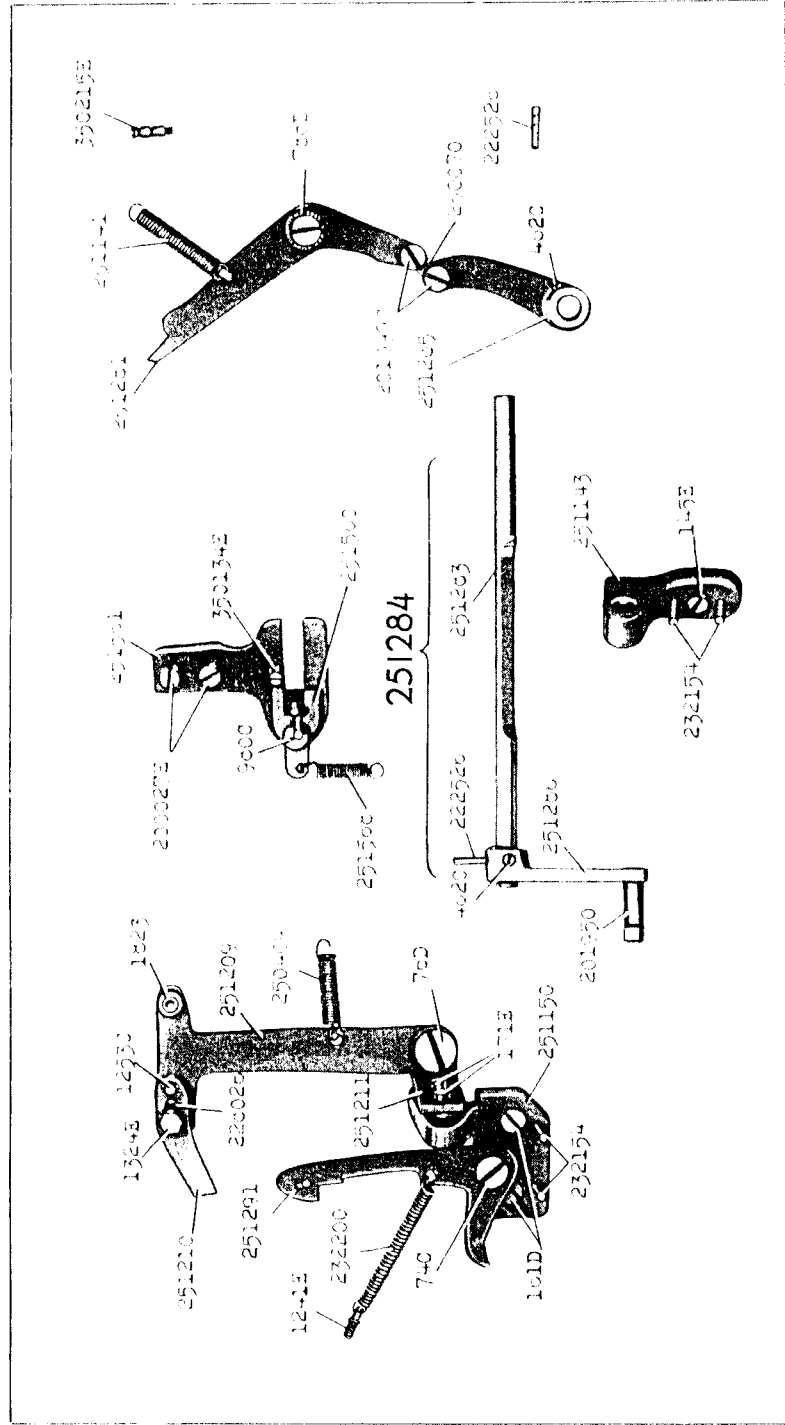
16356 - 1/2



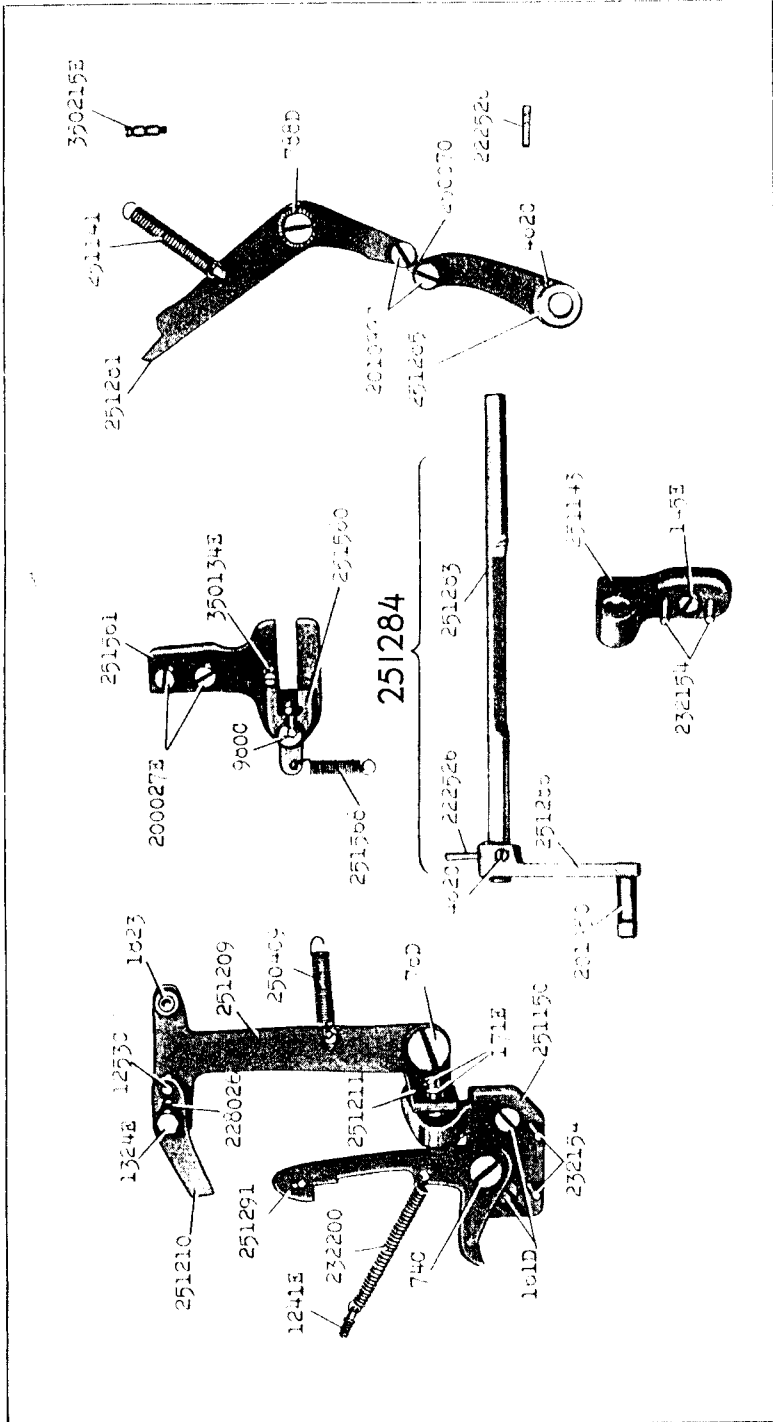
16357 - 1/2



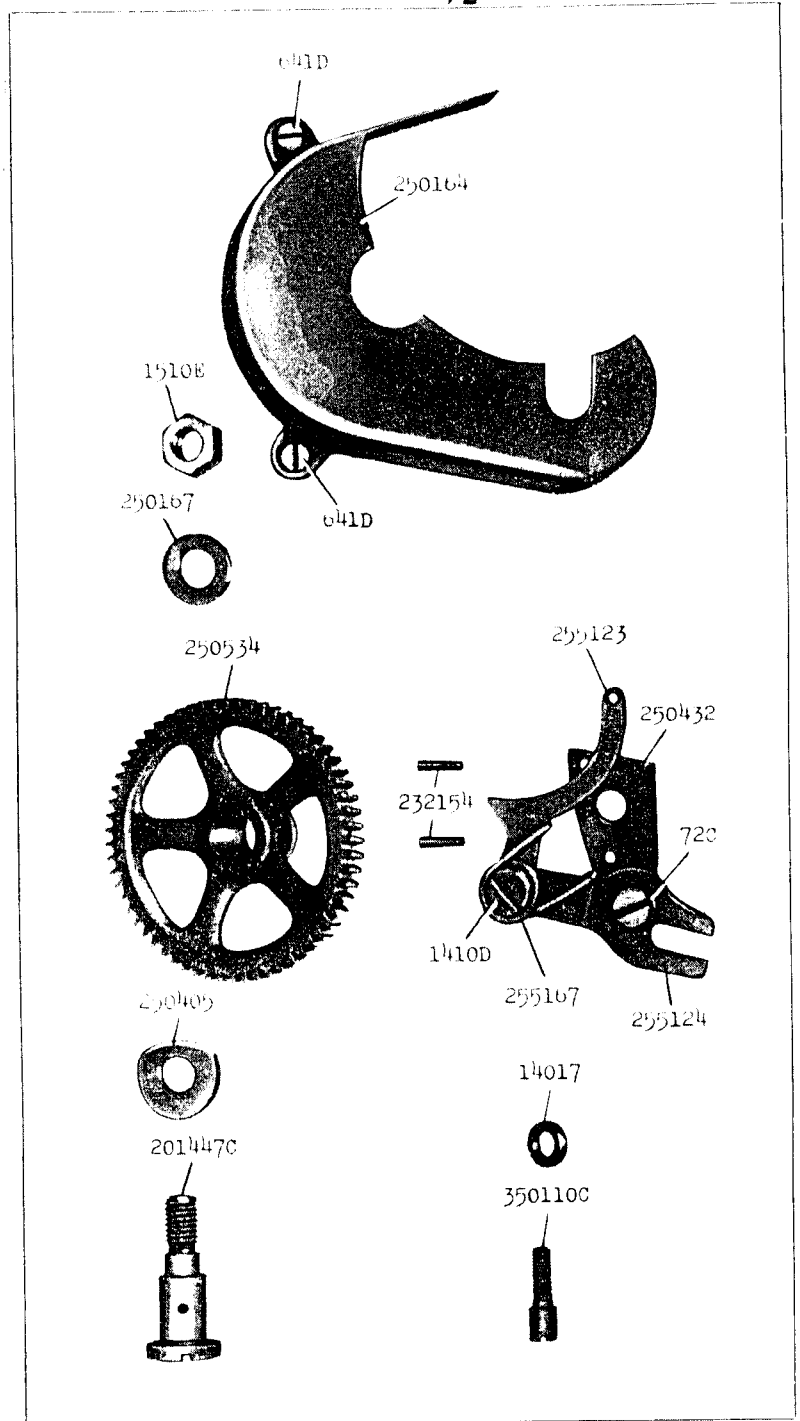
16359 - 3/8



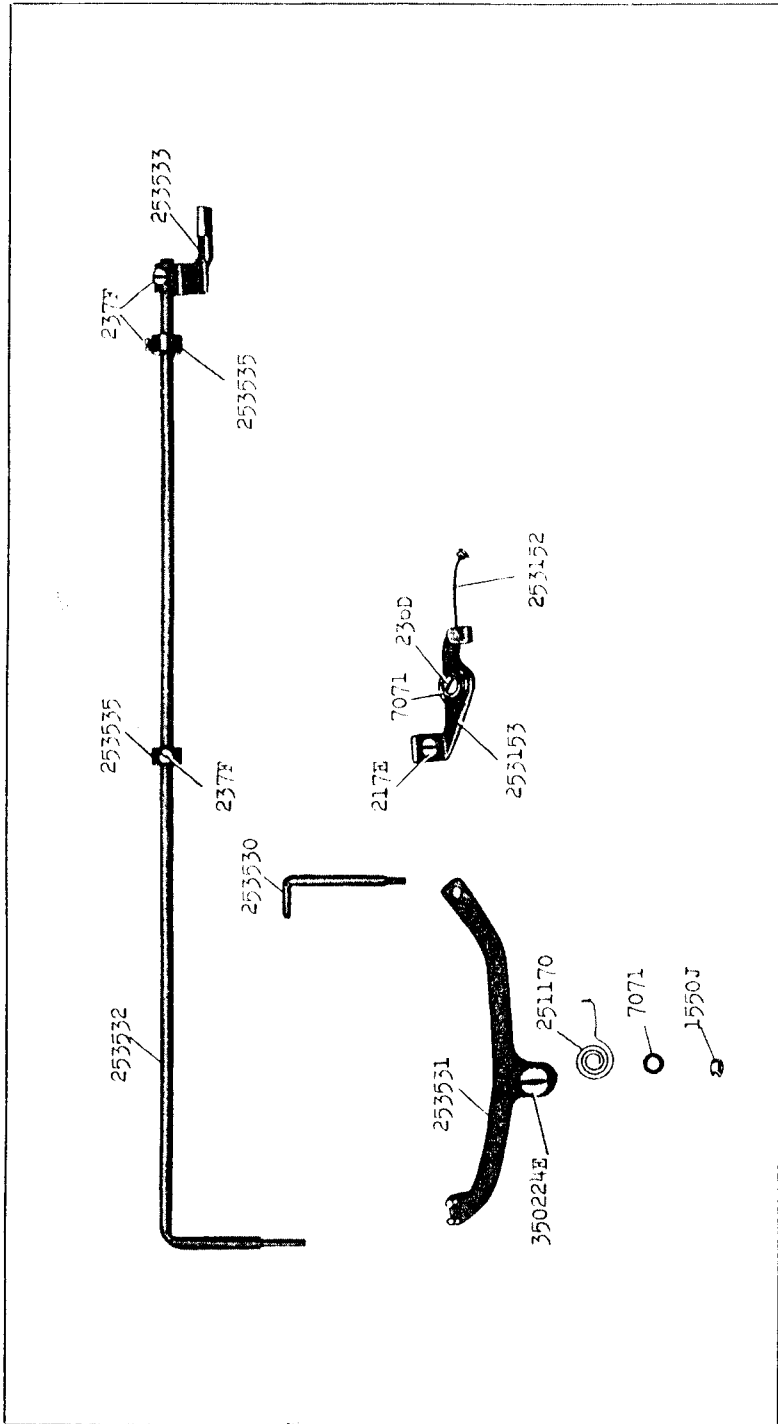
16359 - 3/8



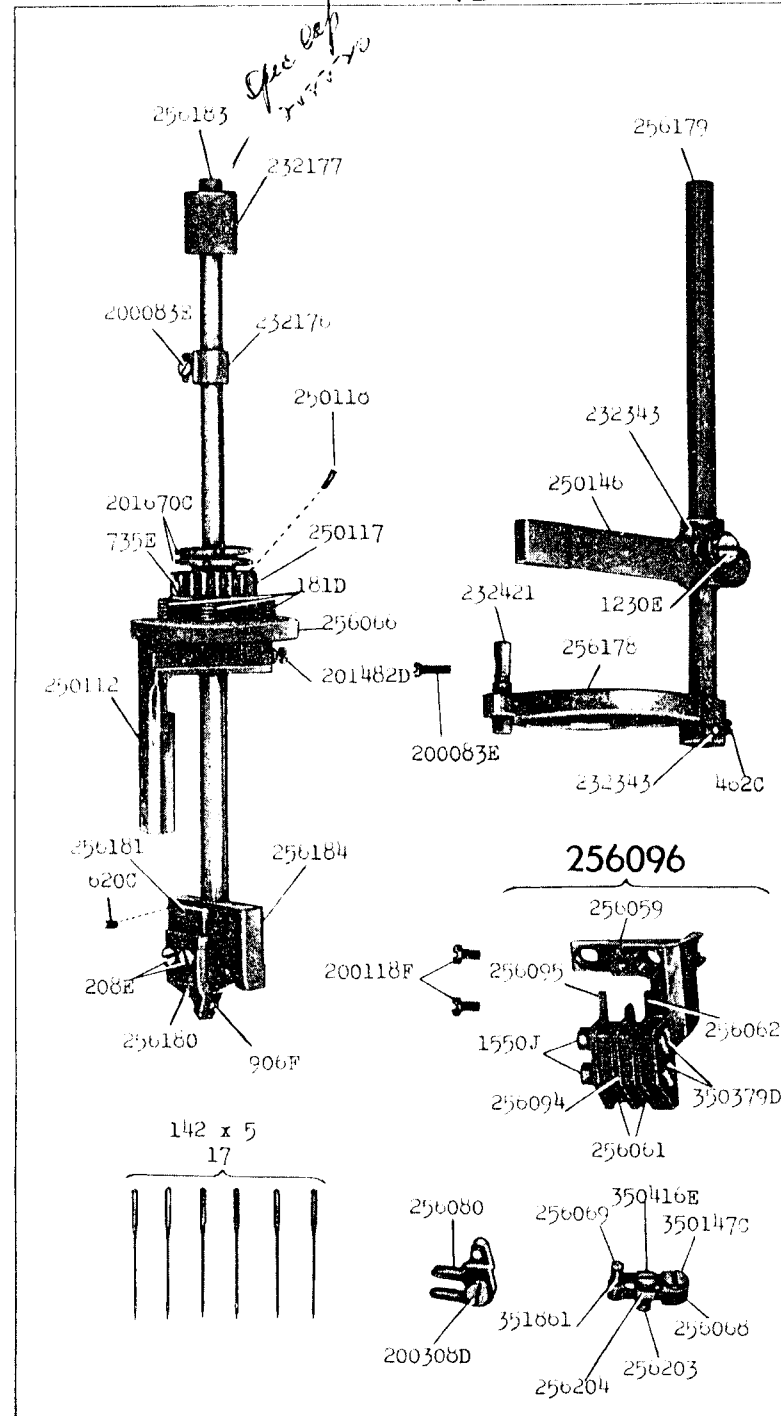
16364 - 1/2



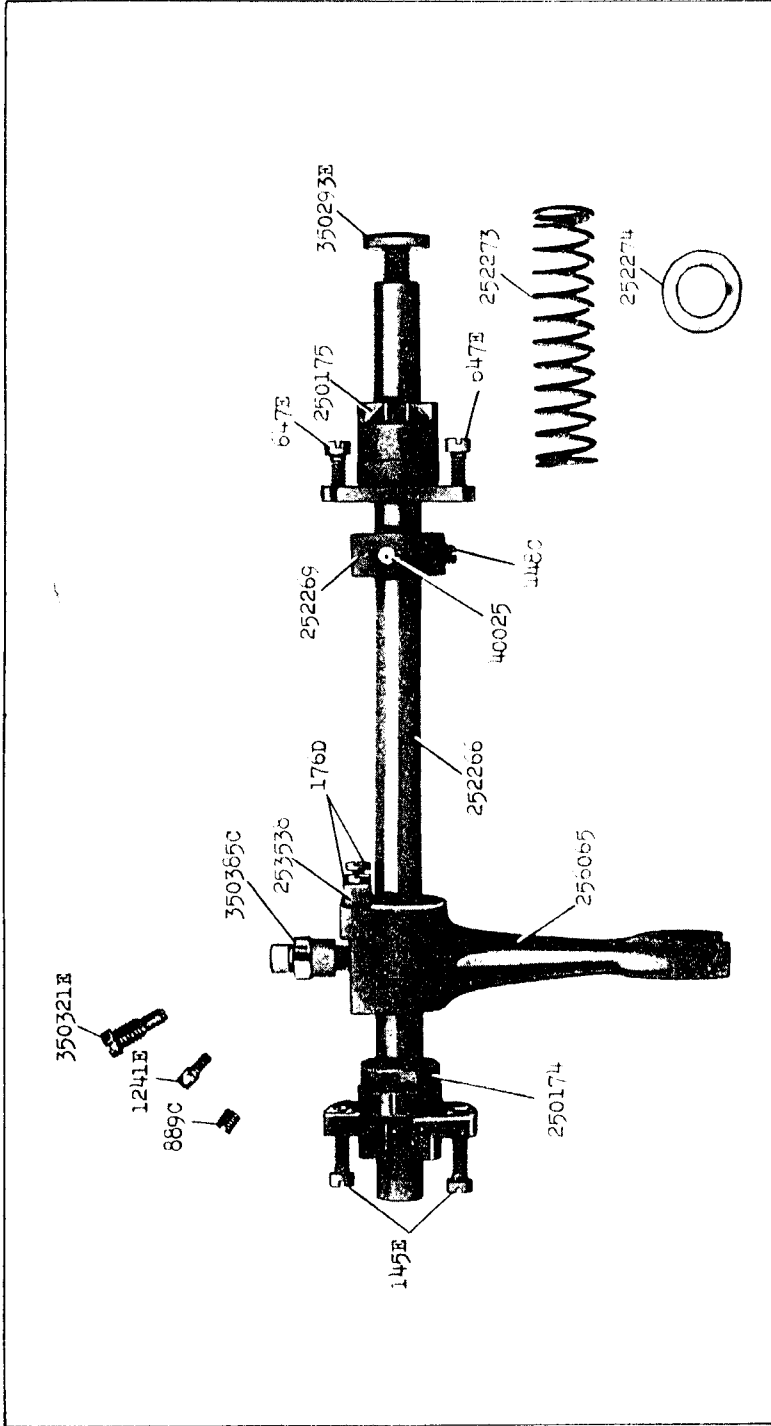
16369 - 3/8



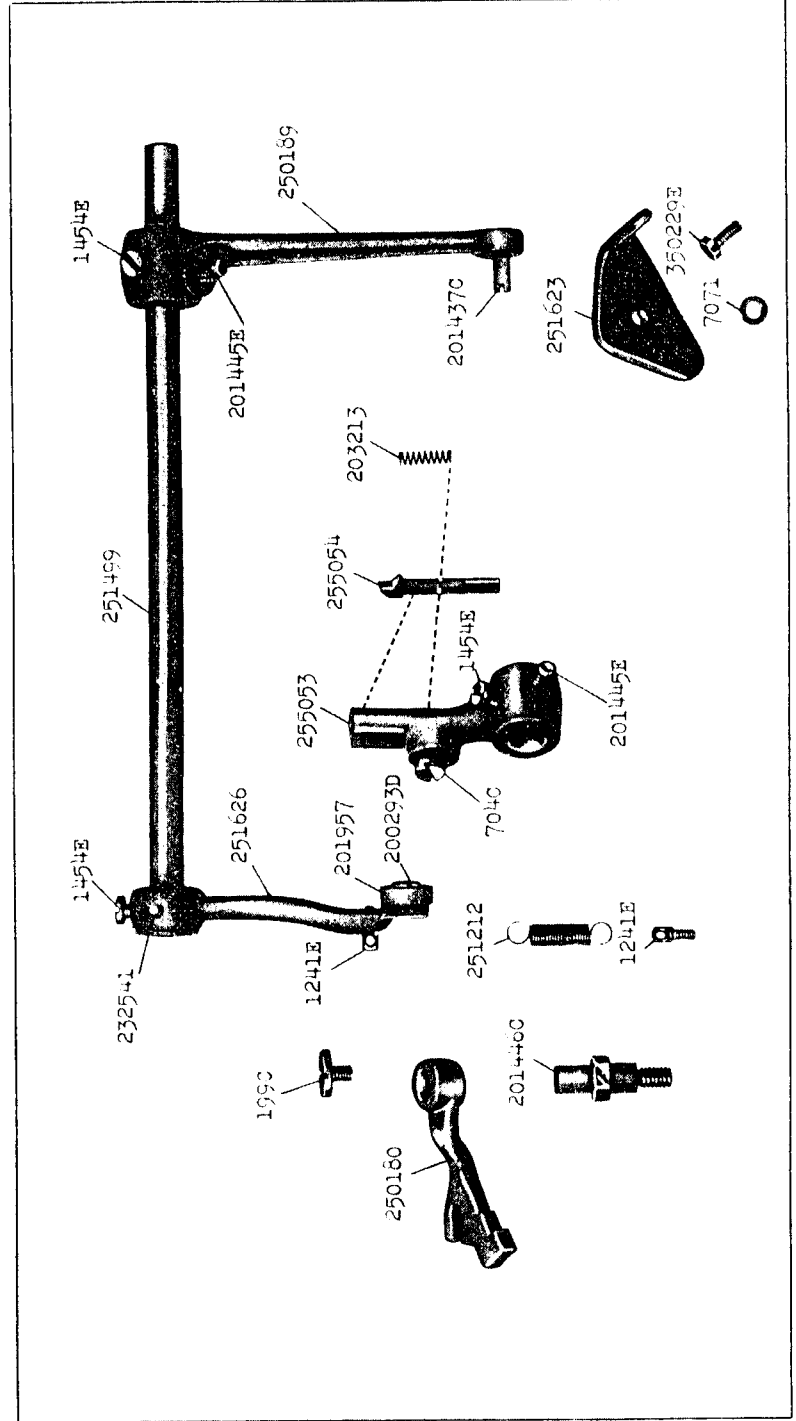
16370 - 1/2



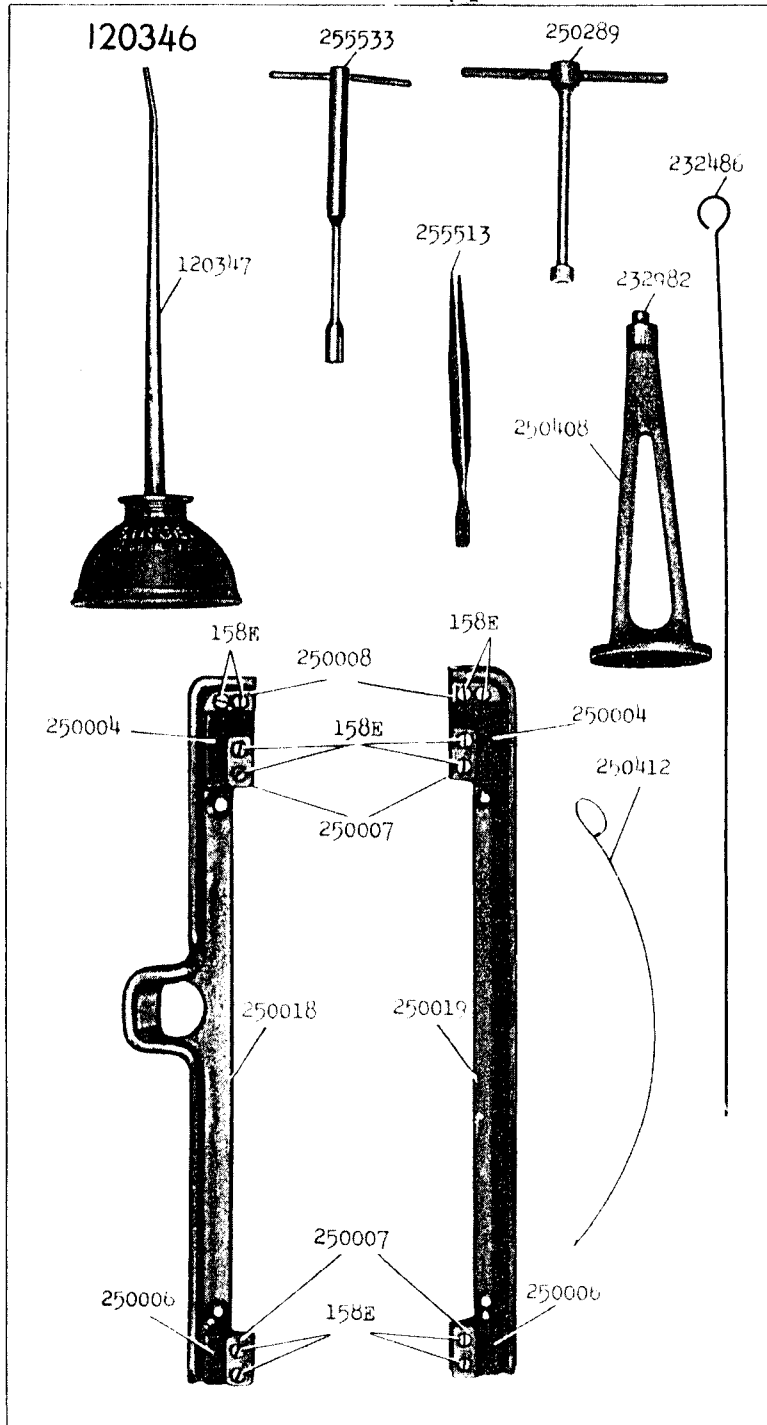
16372 - 1/2



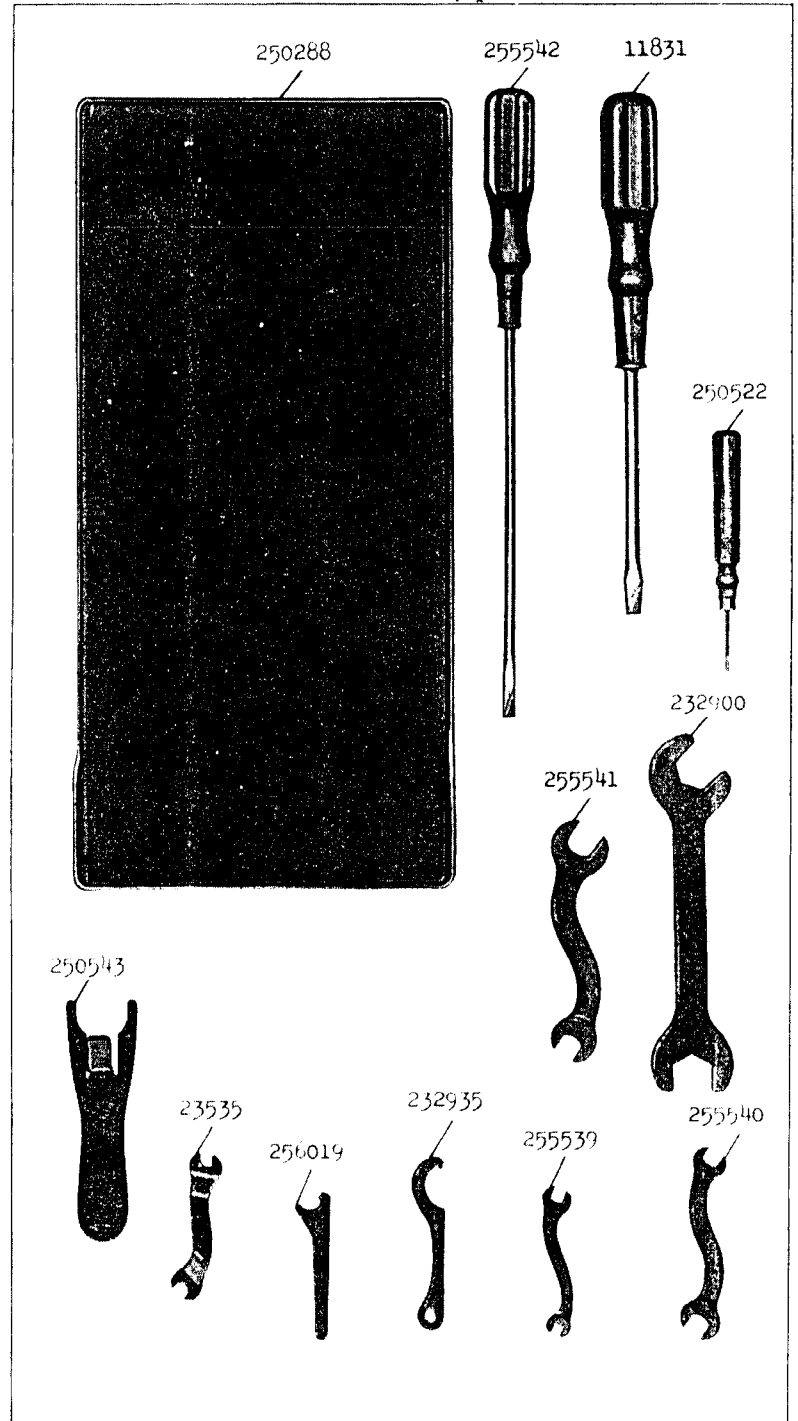
16373 - 1/2



16382 - 1/4



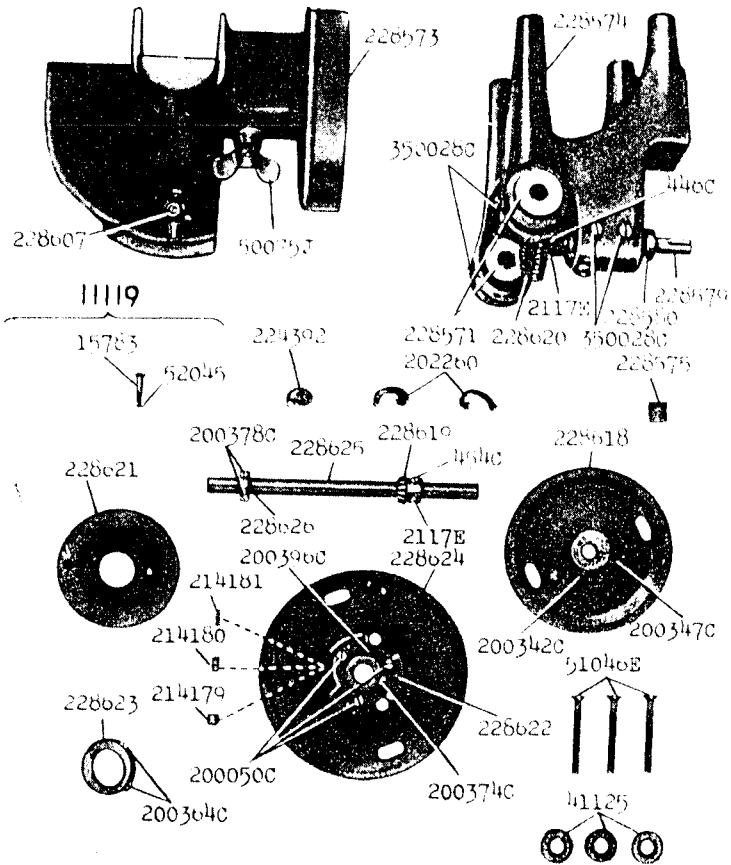
16383 - 1/4



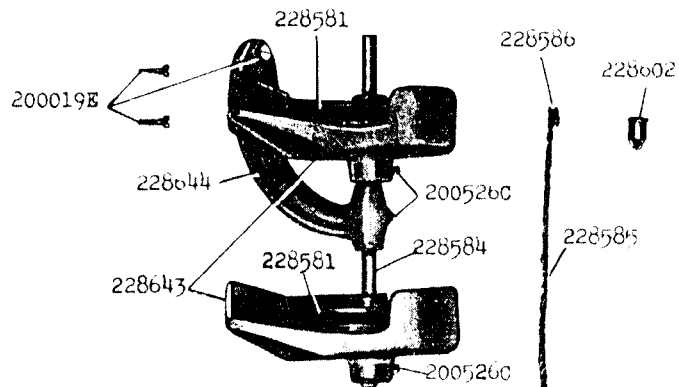
16386 - 1/6

228578

228627

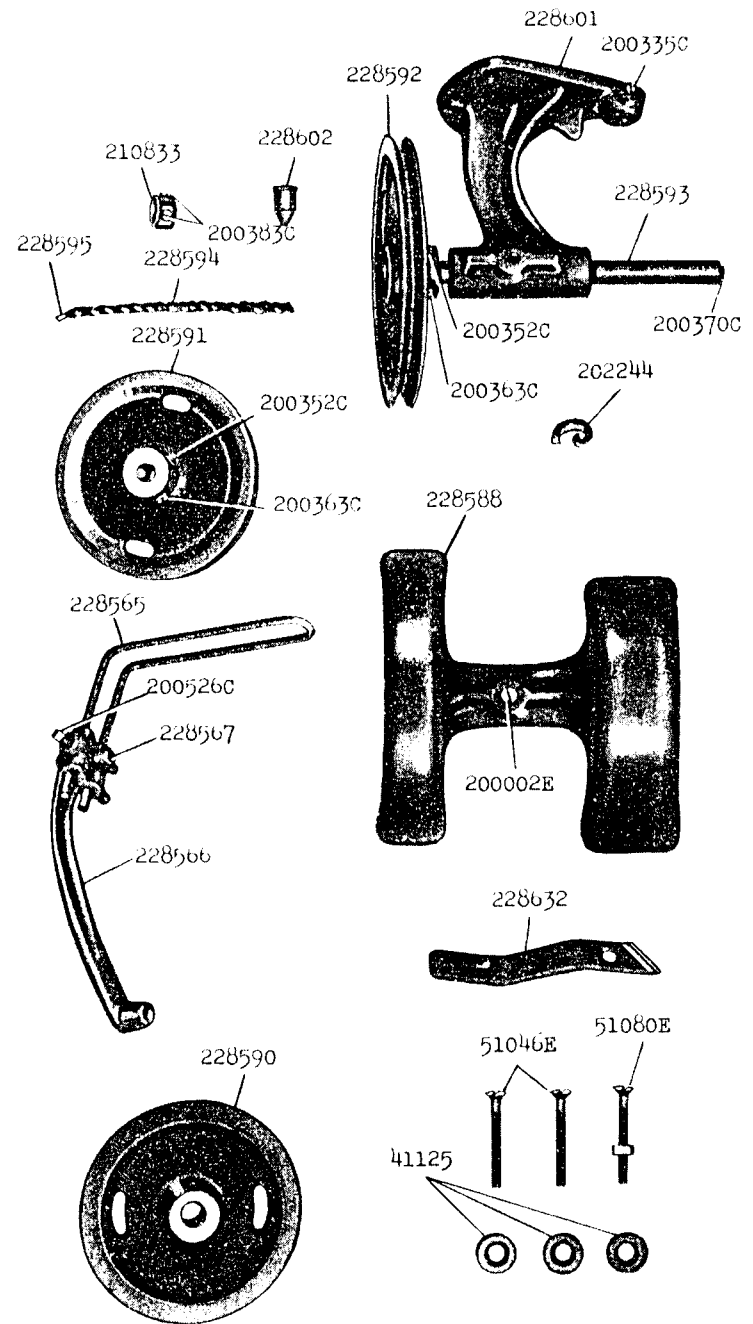


228587



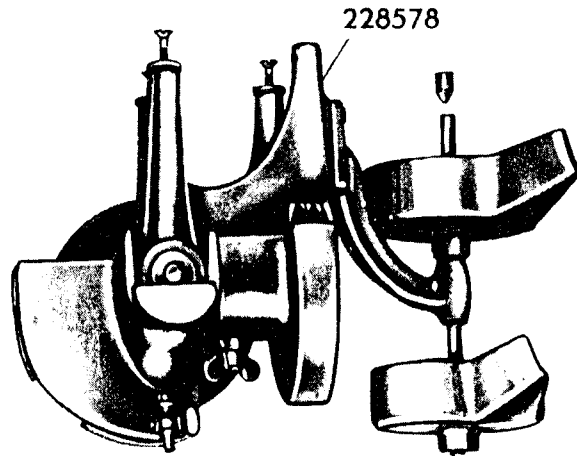
16387 - 1/5

228596



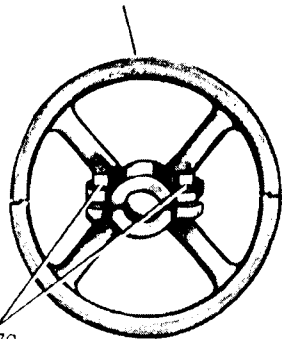
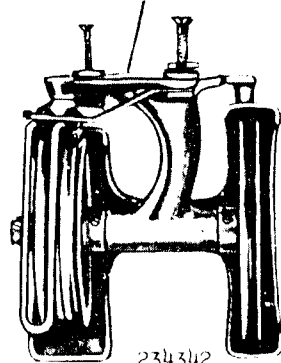
16388 - 1/6

228599

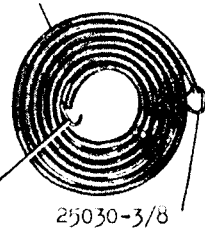
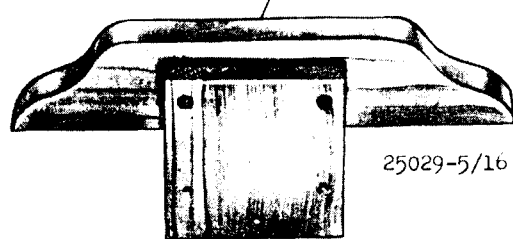


- | | |
|--------------|--------------|
| 27271-4 | 27068-8 |
| 232920-4-1/2 | 232882-8-1/2 |
| 27065-5 | 27069-9 |
| 232879-5-1/2 | 232883-9-1/2 |
| 27066-6 | 27070-10 |
| 232880-6-1/2 | 27072-12 |
| 27067-7 | 27074-14 |
| 232881-7-1/2 | 27075-15 |

228596

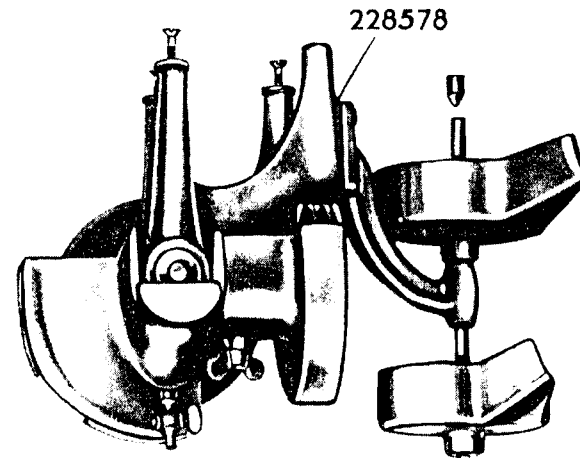


228628-5/16 x 83
228631-3/8 x 133



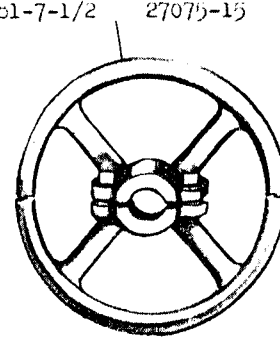
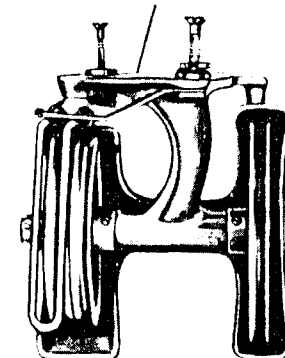
16389 - 1/6

228609

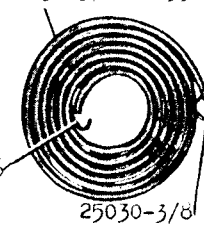
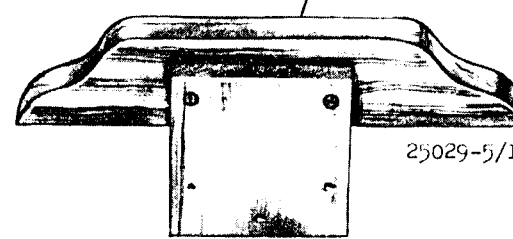


- | | |
|--------------|--------------|
| 27271-4 | 27068-8 |
| 232920-4-1/2 | 232882-8-1/2 |
| 27065-5 | 27069-9 |
| 232879-5-1/2 | 232883-9-1/2 |
| 27066-6 | 27070-10 |
| 232880-6-1/2 | 27072-12 |
| 27067-7 | 27074-14 |
| 232881-7-1/2 | 27075-15 |

228596

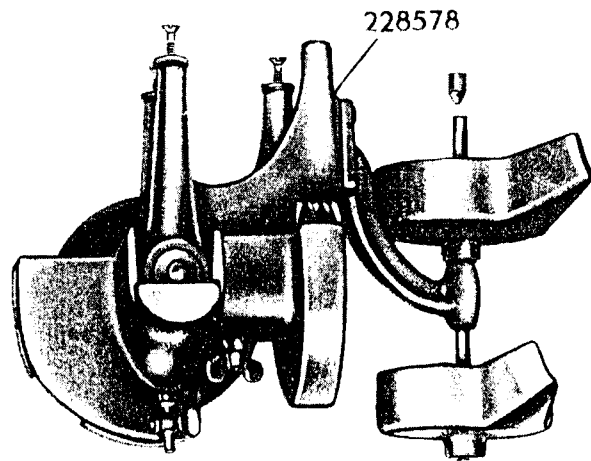


228628-5/16 x 83
228631-3/8 x 133



16390 - 1/6

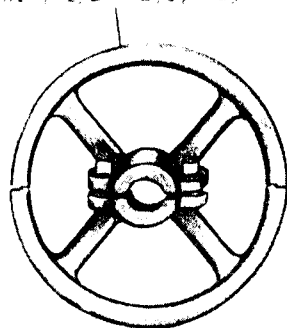
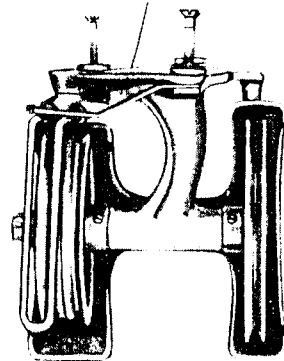
228611



228578

- | | |
|--------------|--------------|
| 27071-1 | 27070-8 |
| 232020-1-1/2 | 242122-2-1/2 |
| 270-1 | 270-0-1 |
| 232070-1-1/2 | 232083-1-1/2 |
| 270-6-6 | 27070-10 |
| 232080-6-1/2 | 27072-10 |
| 27071-7 | 27074-14 |
| 27081-7-1/2 | 27075-19 |

228596

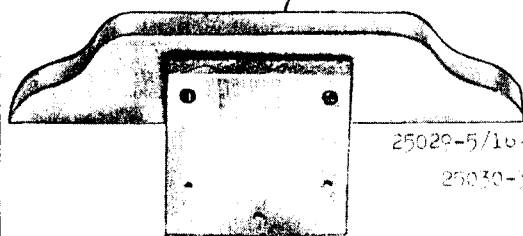


234344

228610

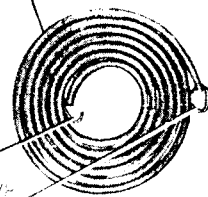


220000-1/16 x 0.5
220031-3/16 x 1.53



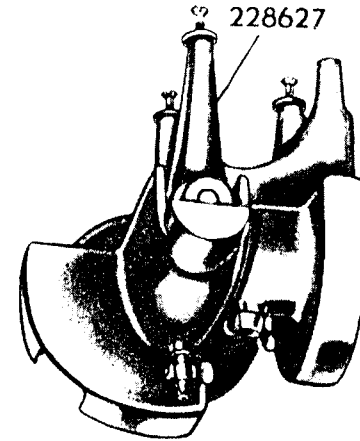
25029-5/16

25030-3/8



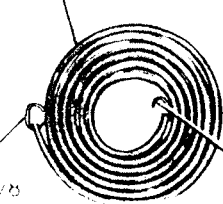
16391 - 1/6

228605



228627

220020-5/16 x 0.7
228020-3/8 x 0.7

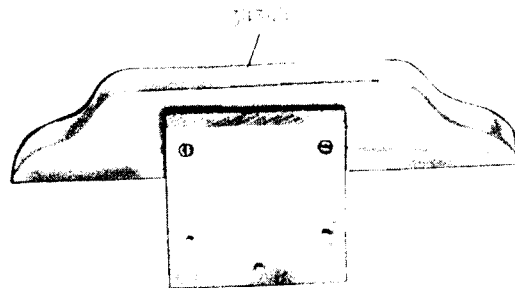
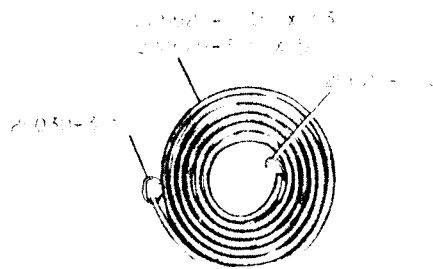
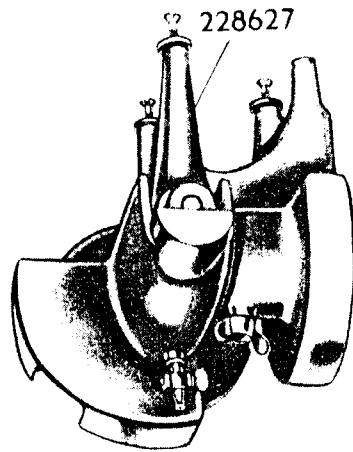


25030-3/8

25029-5/16

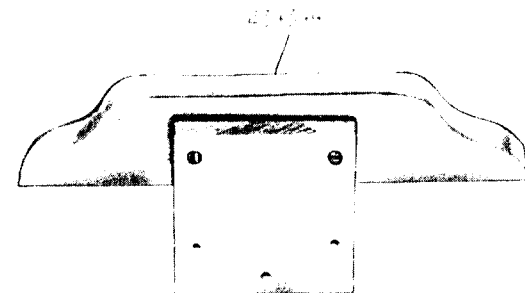
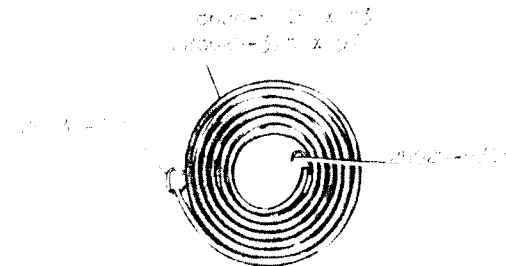
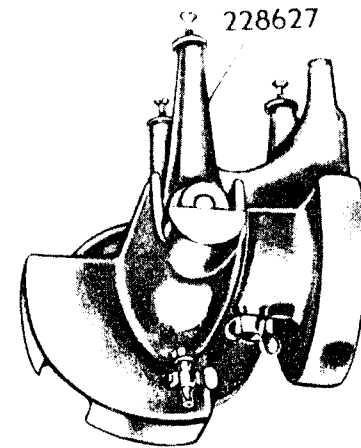
16392 - 1/6

228612

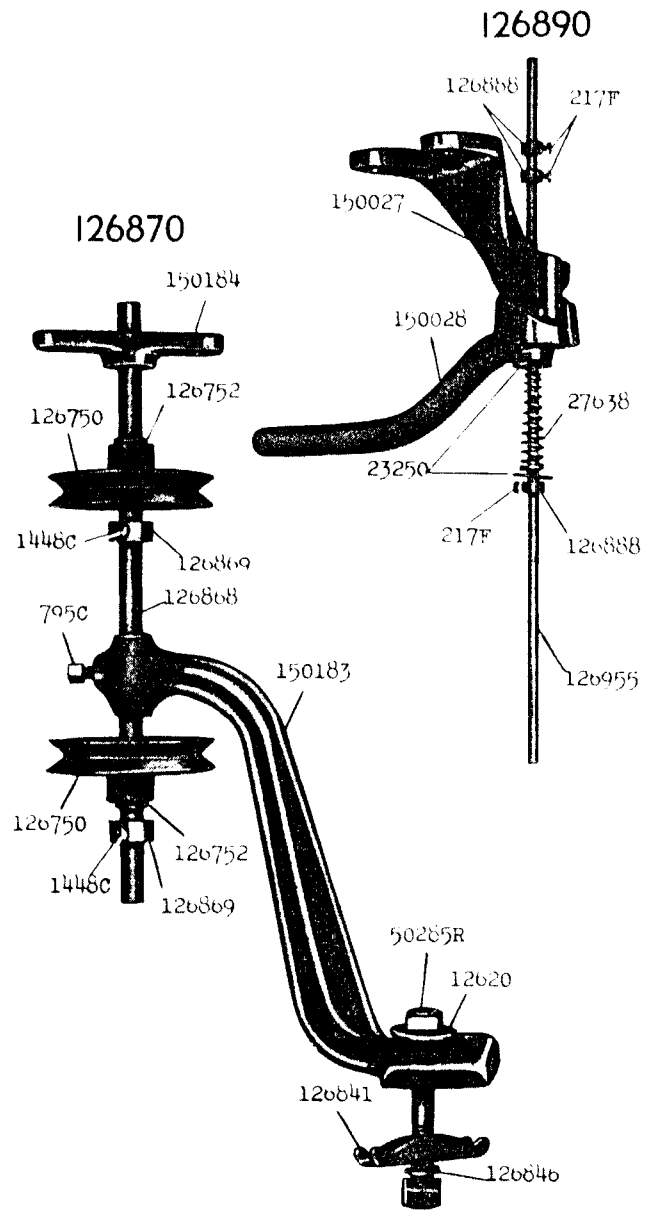


16393 - 1/6

228613

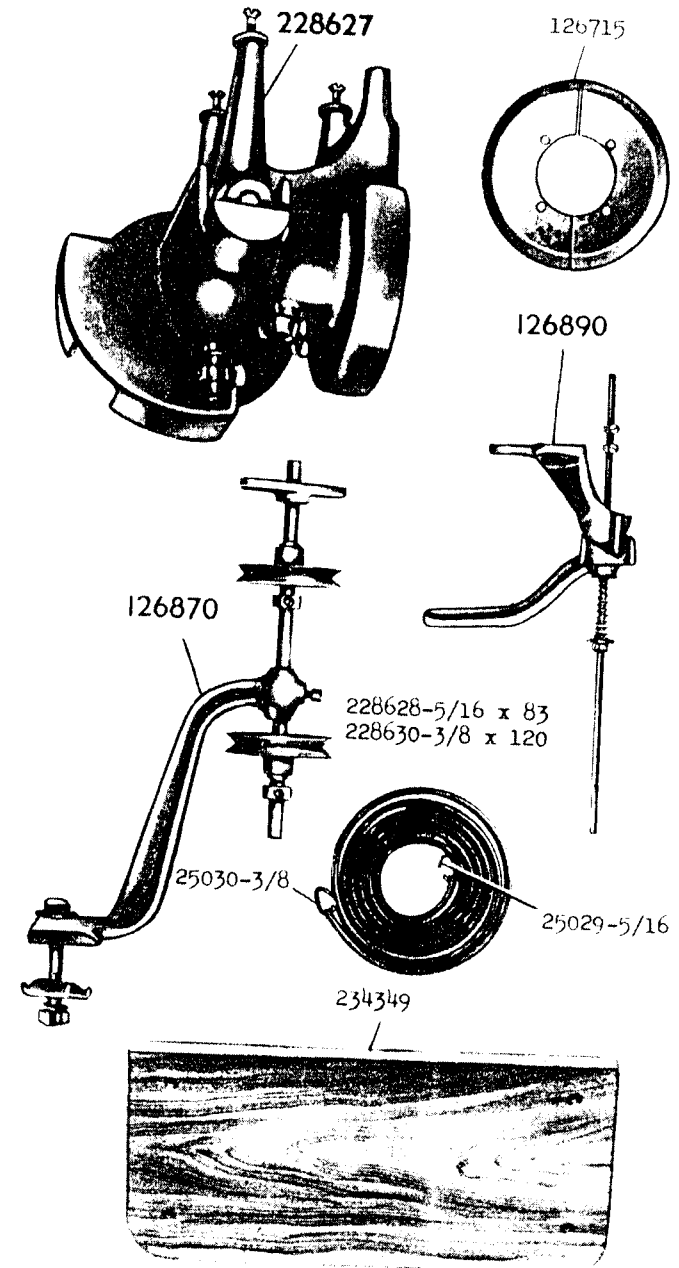


16394 - 1/4



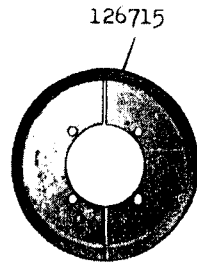
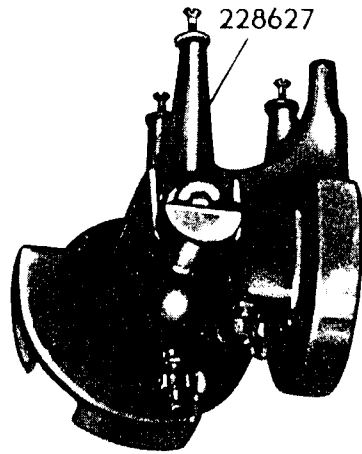
16395 - 1/6

228645



16396 - 1/6

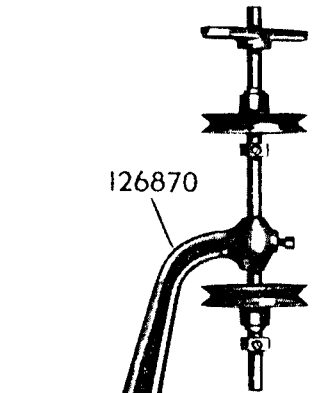
228646



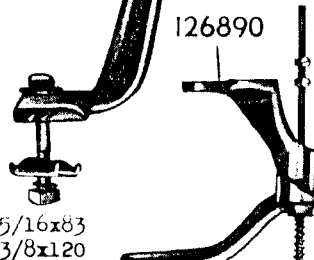
234350



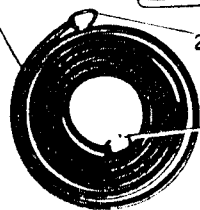
126870



126890



228628-5/16x83
228630-3/8x120

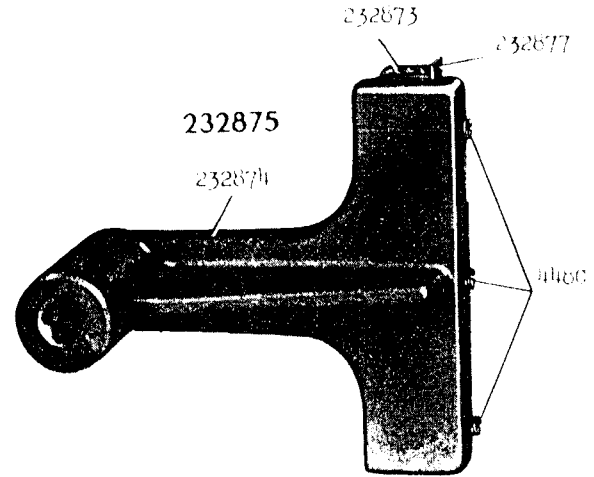


25030-3/8

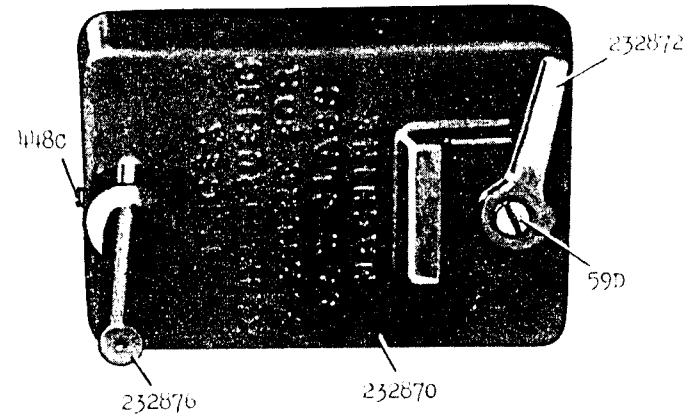
25029
5/16

16401 - 1/2

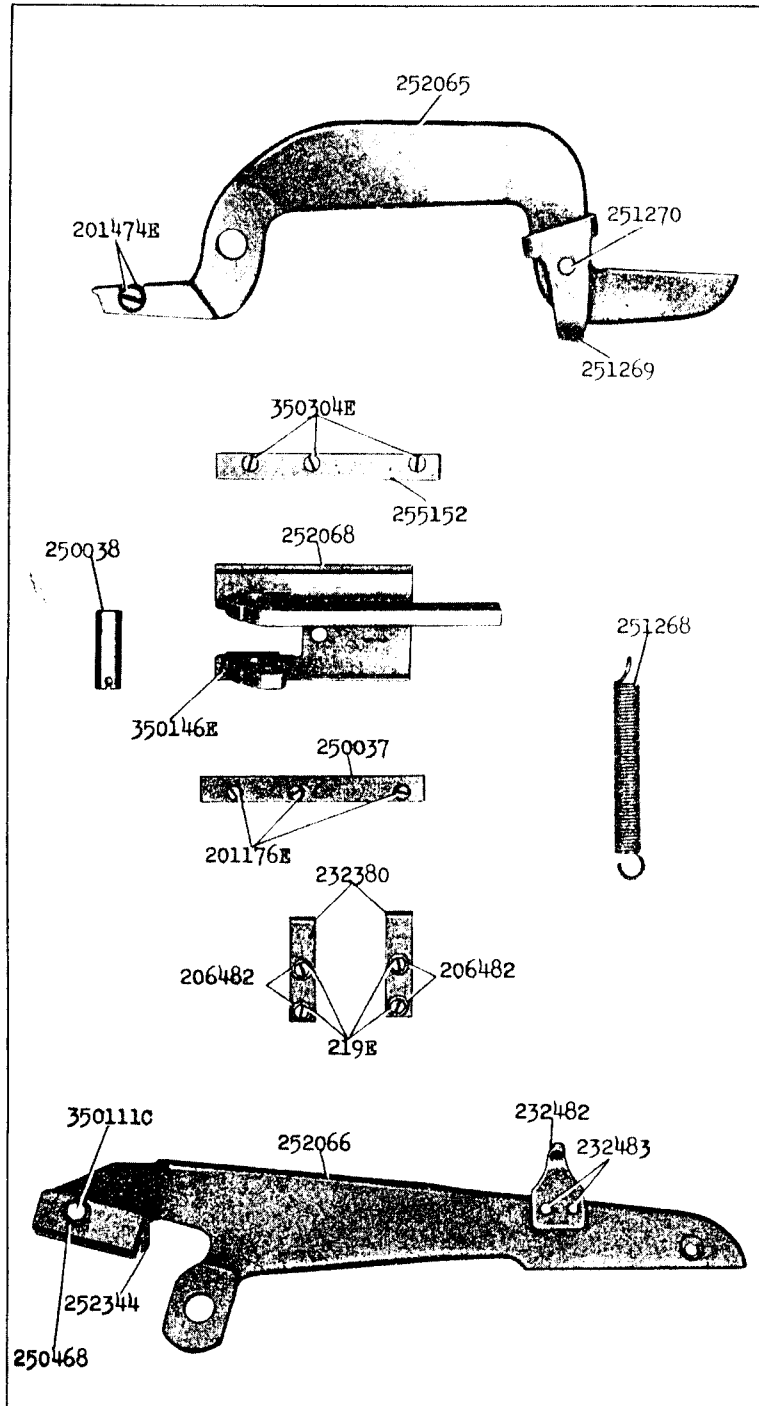
232878



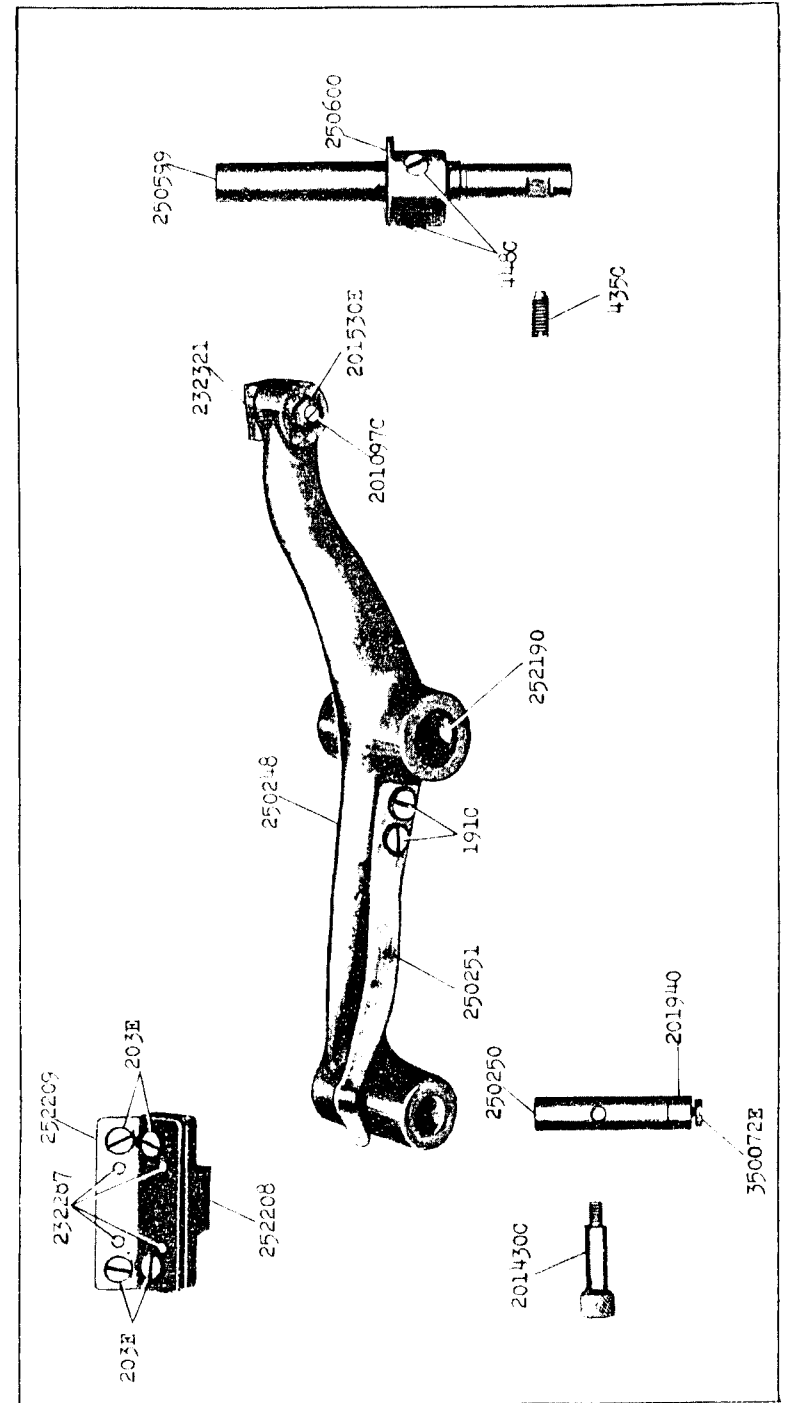
232871



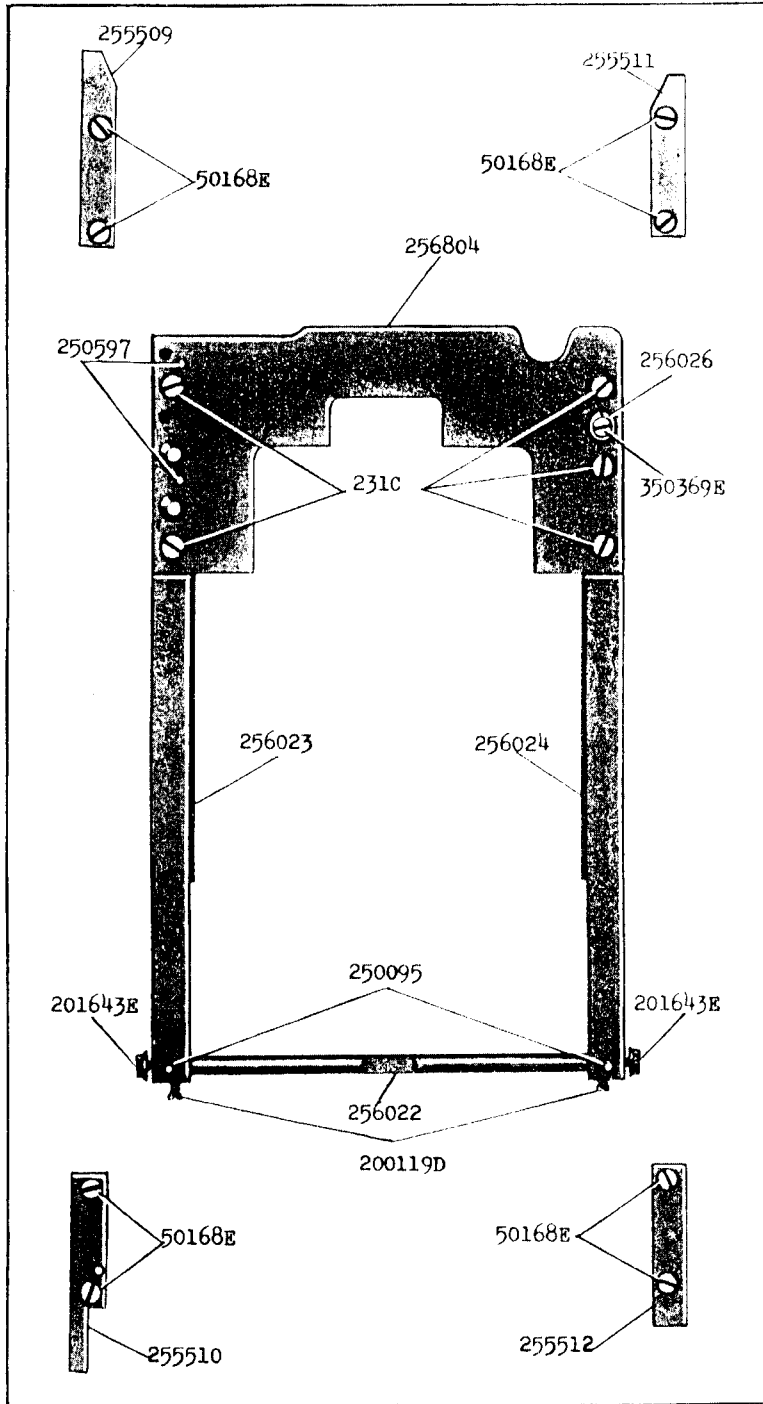
16456 - 1/3



16461 - 1/2



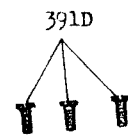
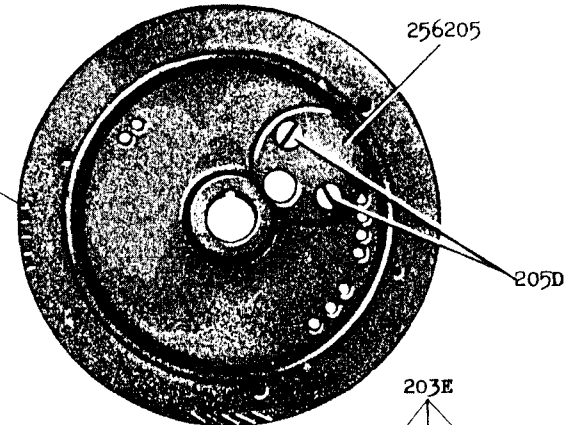
16468 - 3/8



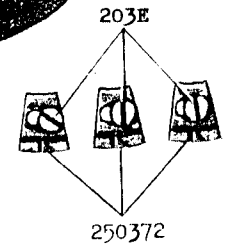
16472 - 1/2

256829 - 7/8 Eye (M) & St.
 256831 - 1 1/8 " " " "
 256833 - 1 3/8 " " " "
 256835 - 1 5/8 " " " "
 256837 - 1 7/8 " " " "

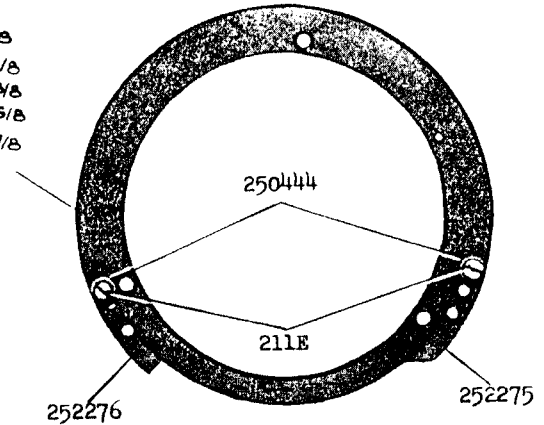
256828 - 7/8
 256830 - 1 1/8
 256832 - 1 3/8
 256834 - 1 5/8
 256836 - 1 7/8



256849 - 7/8
 252293 - 1 1/8
 252295 - 1 3/8
 252297 - 1 5/8
 252299 - 1 7/8



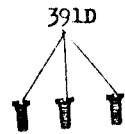
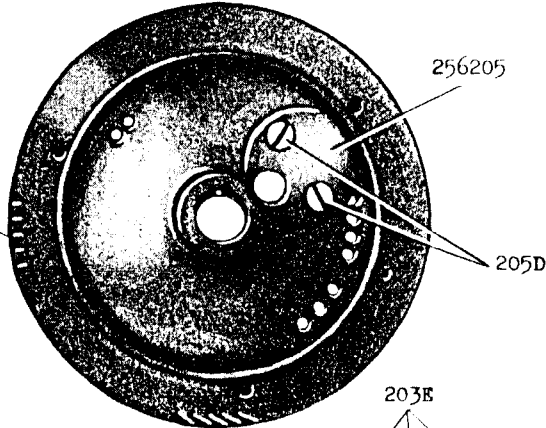
256848 - 7/8
 252259 - 1 1/8
 252261 - 1 3/8
 252263 - 1 5/8
 252265 - 1 7/8



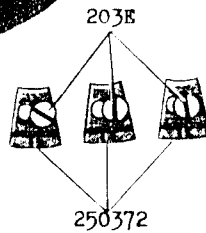
16473 - 1/2

- 256839 - 7/8 Eye (L) & St.
- 256841 - 1 1/8 " " " "
- 256843 - 1 3/8 " " " "
- 256845 - 1 5/8 " " " "
- 256847 - 1 7/8 " " " "

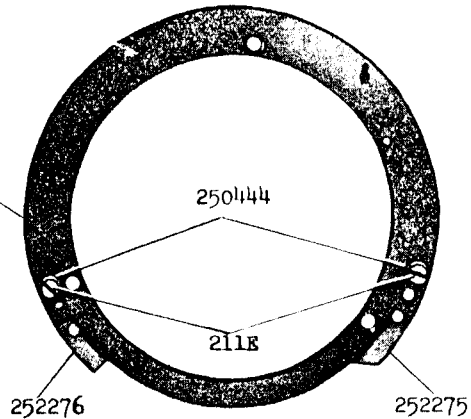
- 256838 - 7/8
- 256840 - 1 1/8
- 256842 - 1 3/8
- 256844 - 1 5/8
- 256846 - 1 7/8



- 256849 - 7/8
- 252293 - 1 1/8
- 252295 - 1 3/8
- 252297 - 1 5/8
- 252299 - 1 7/8

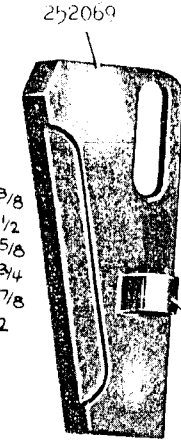
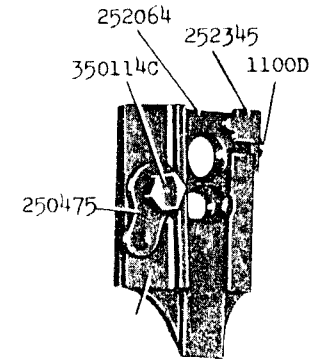


- 256848 - 7/8
- 252259 - 1 1/8
- 252261 - 1 3/8
- 252263 - 1 5/8
- 252265 - 1 7/8

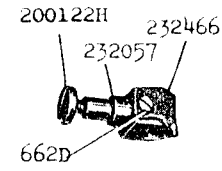


16476 - 2/3

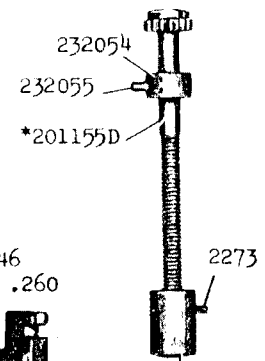
- 253159 - 3/4
- 253160 - 7/8
- 253161 - 1
- 253162 - 1 1/8
- 253163 - 1 1/4
- 253164 - 1 3/8
- 253165 - 1 1/2
- 253166 - 1 5/8
- 253167 - 1 3/4
- 253168 - 1 7/8
- 253169 - 2



- 253170 - 3/4
- 253171 - 7/8
- 253172 - 1
- 253173 - 1 1/8
- 253174 - 1 1/4
- 253175 - 1 3/8
- 253176 - 1 1/2
- 253177 - 1 5/8
- 253178 - 1 3/4
- 253179 - 1 7/8
- 253180 - 2



250538



253044
.140 x .228



253047

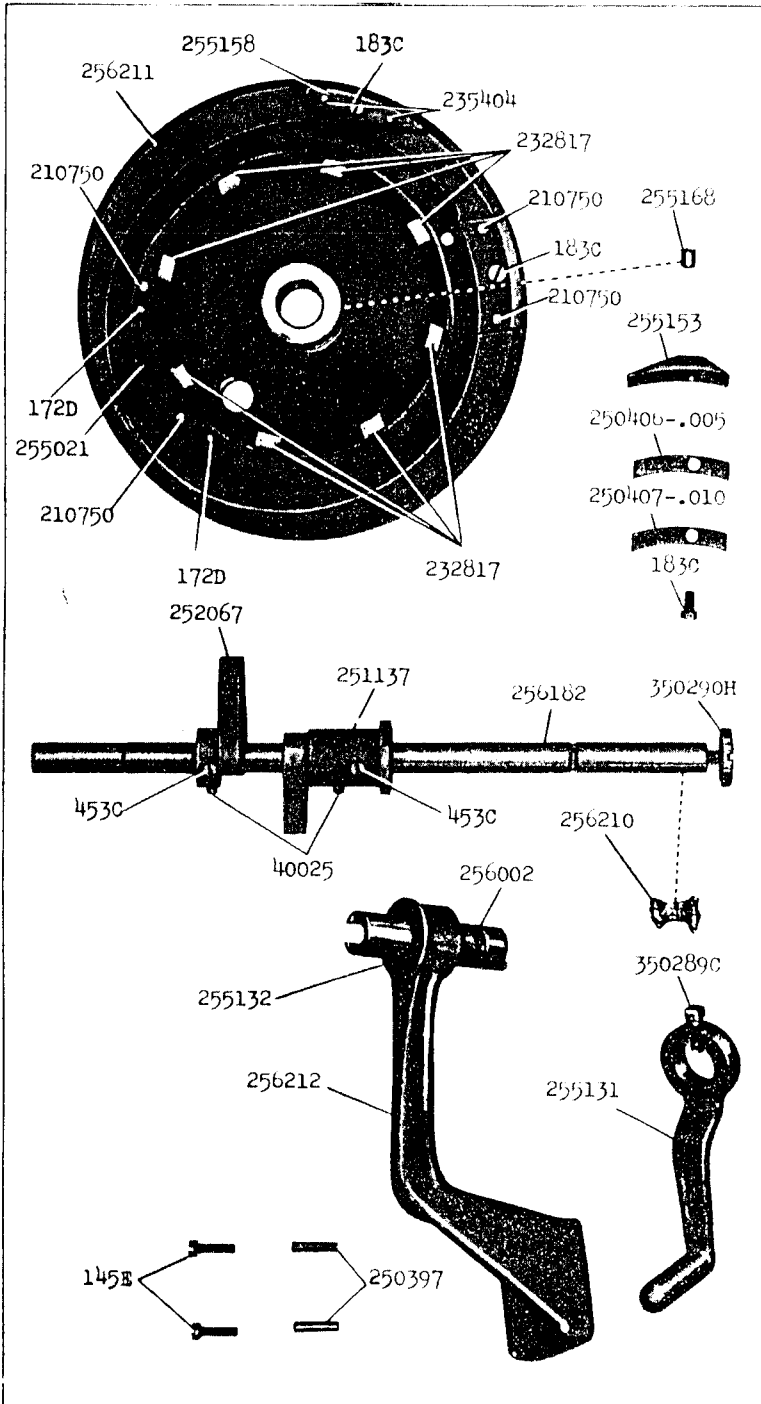


253046
.140 x .260

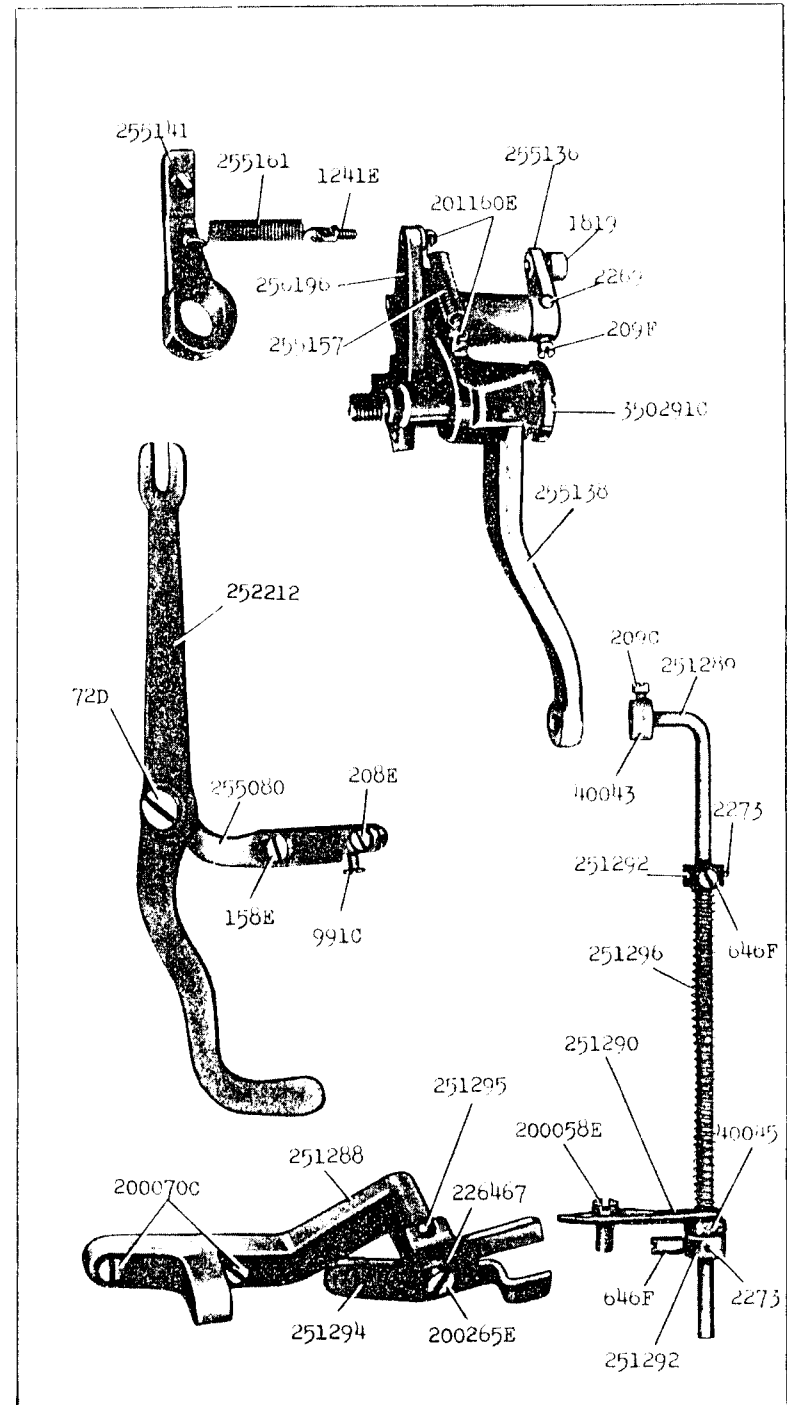


201672E

16477 - 1/3

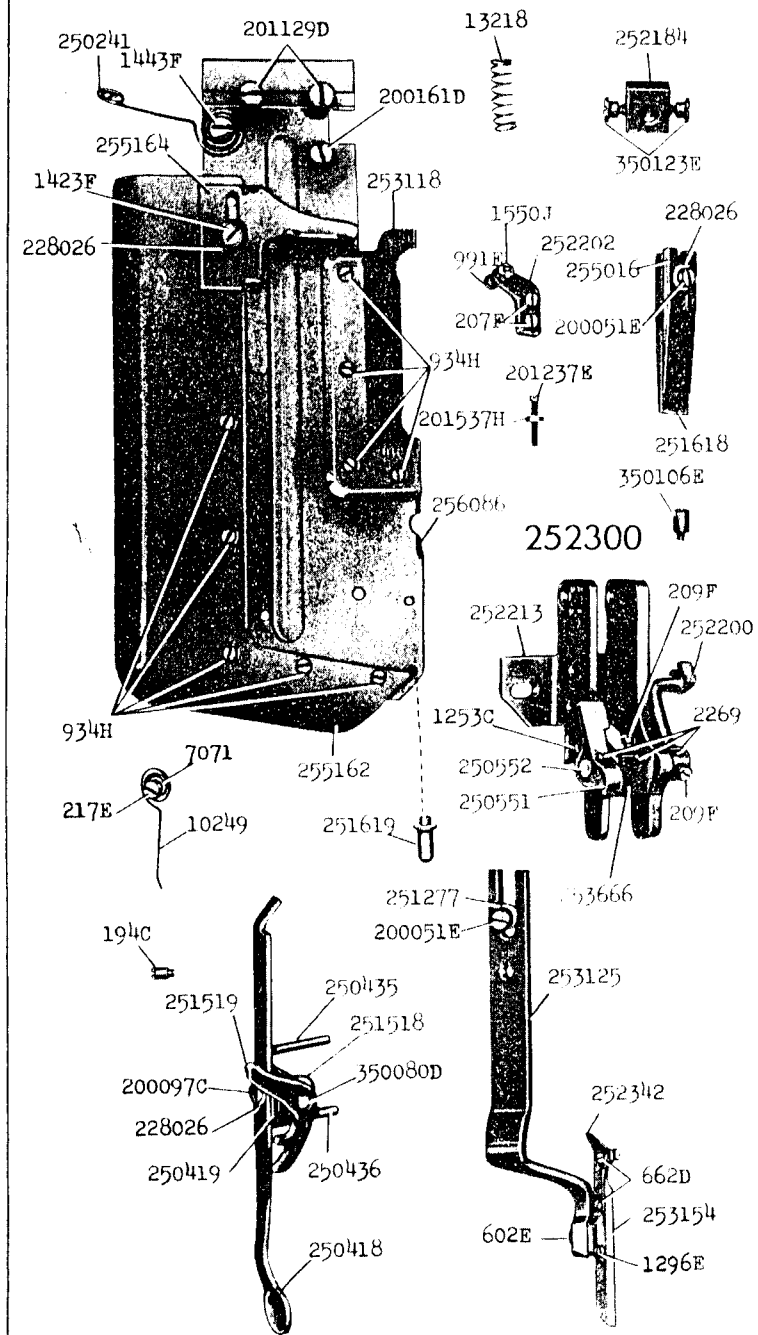


16478 - 1/2



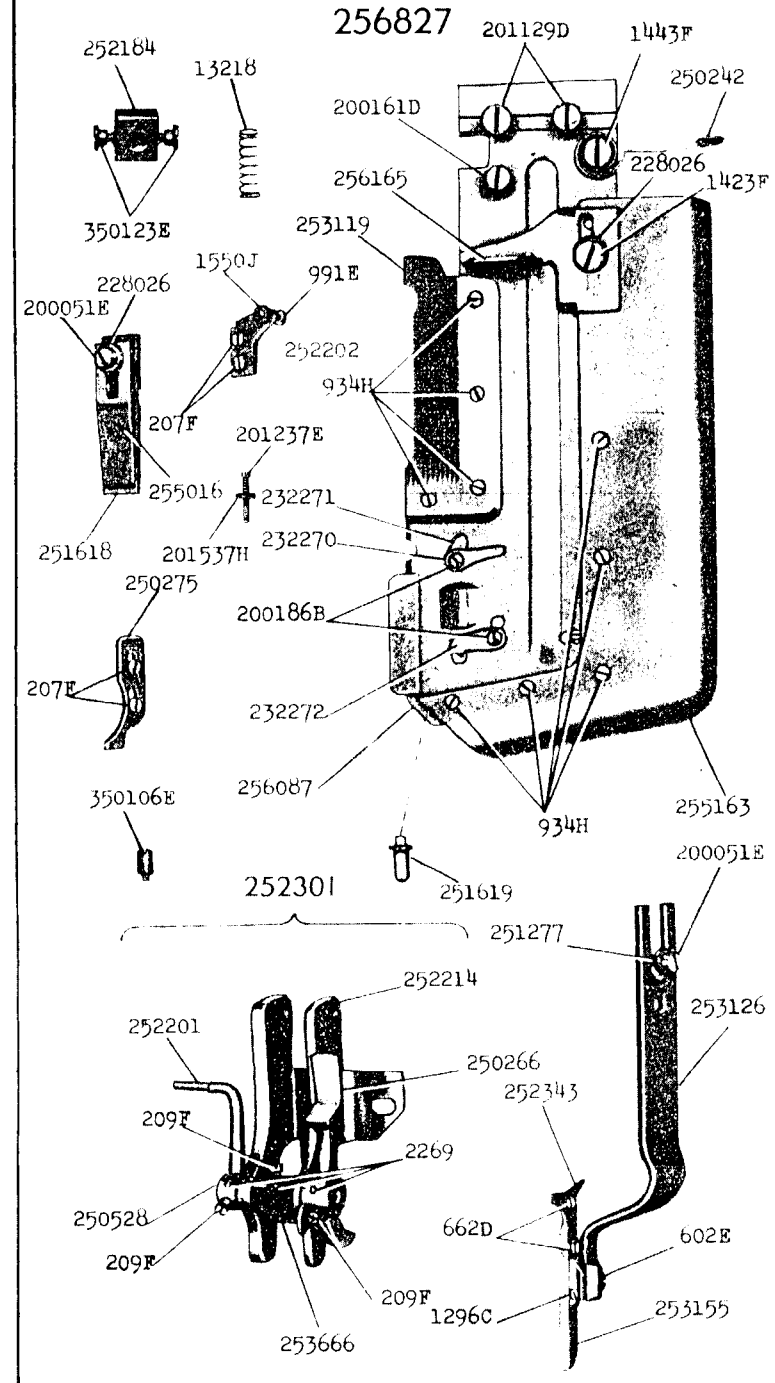
16481 - 3/8

256826



16482 - 3/8

256827



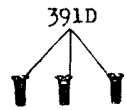
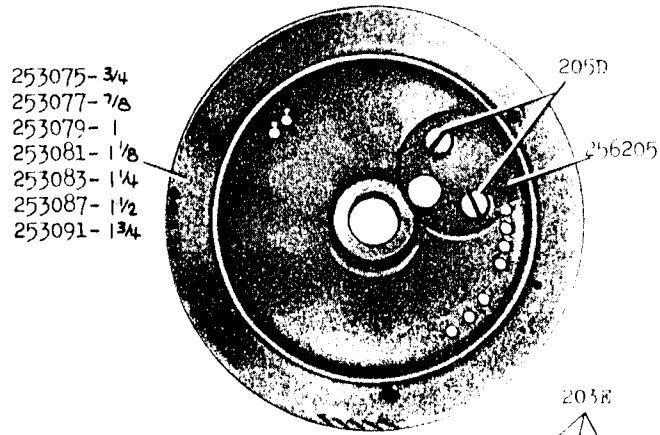
16485 - 1/2

253076 - 3/4 T.B.(L) 253082 - 1 1/8 T.B.(L)

253078 - 7/8 " " " 253084 - 1 1/4 " " "

253080 - 1 " " " 253088 - 1 1/2 " " "

253092 - 1 3/4 T.B.(L)



252292 - 3/4
252293 - 7/8
252294 - 1
252295 - 1 1/8
252296 - 1 1/4
252298 - 1 1/2
252299 - 1 3/4

