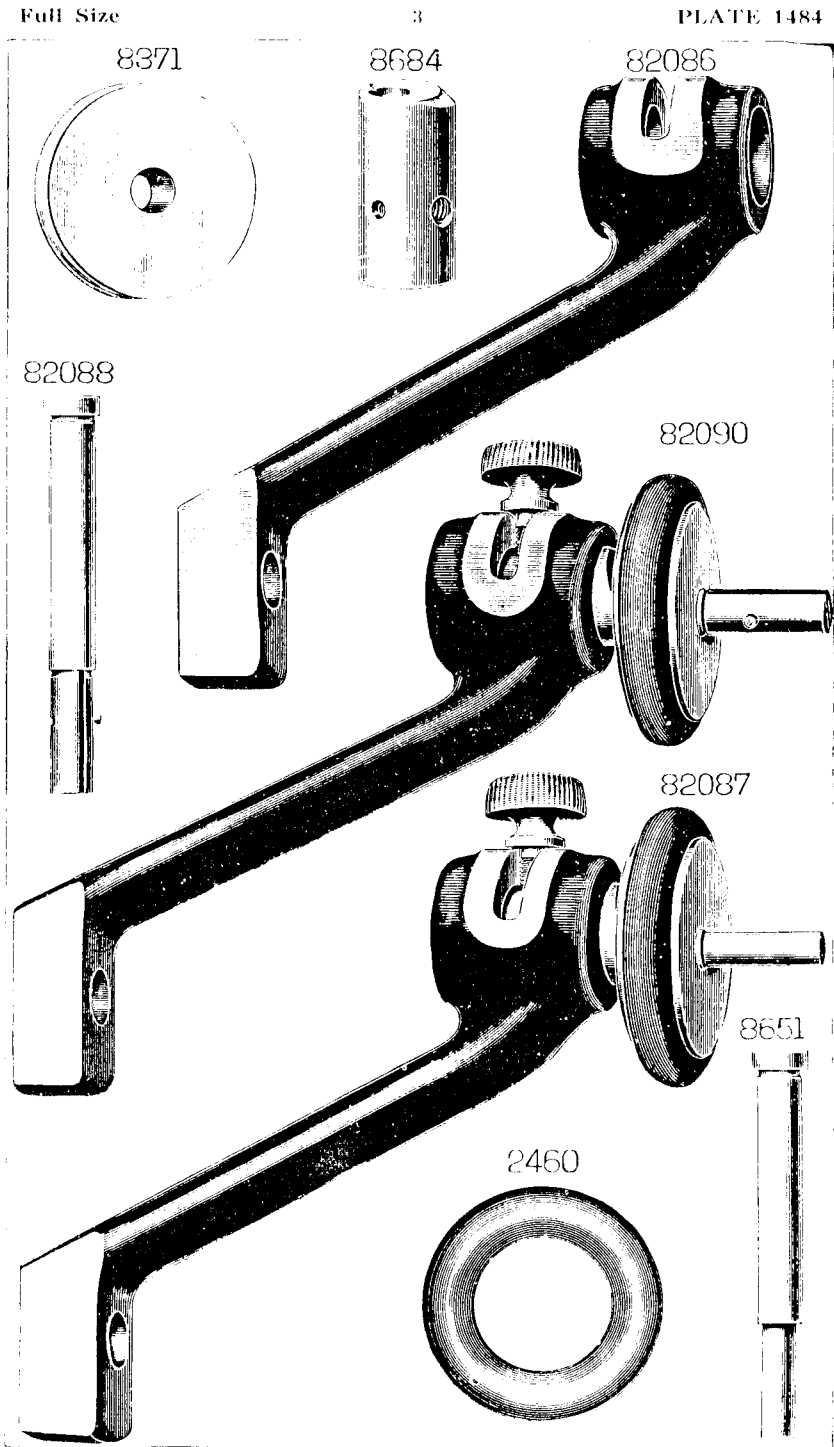


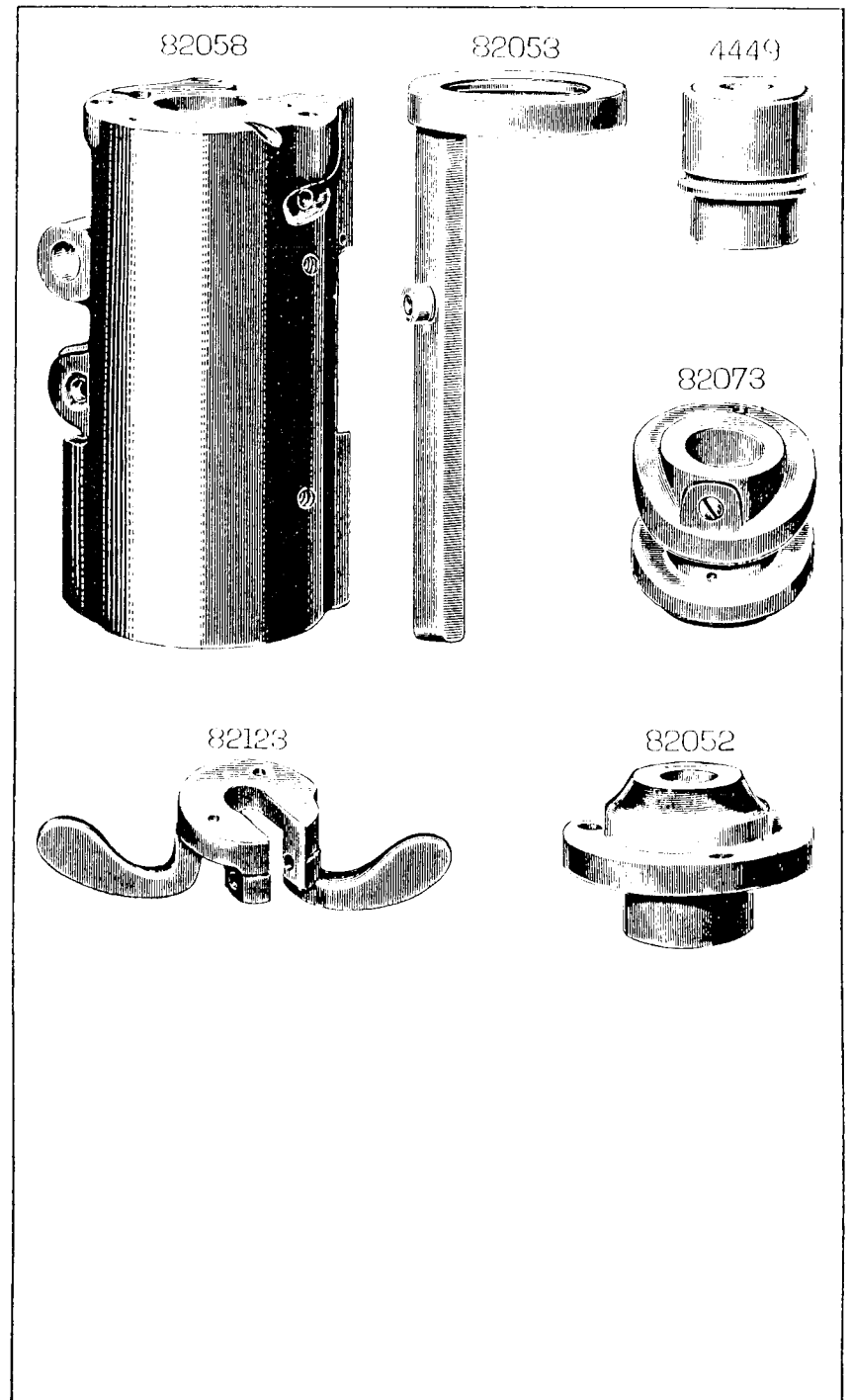
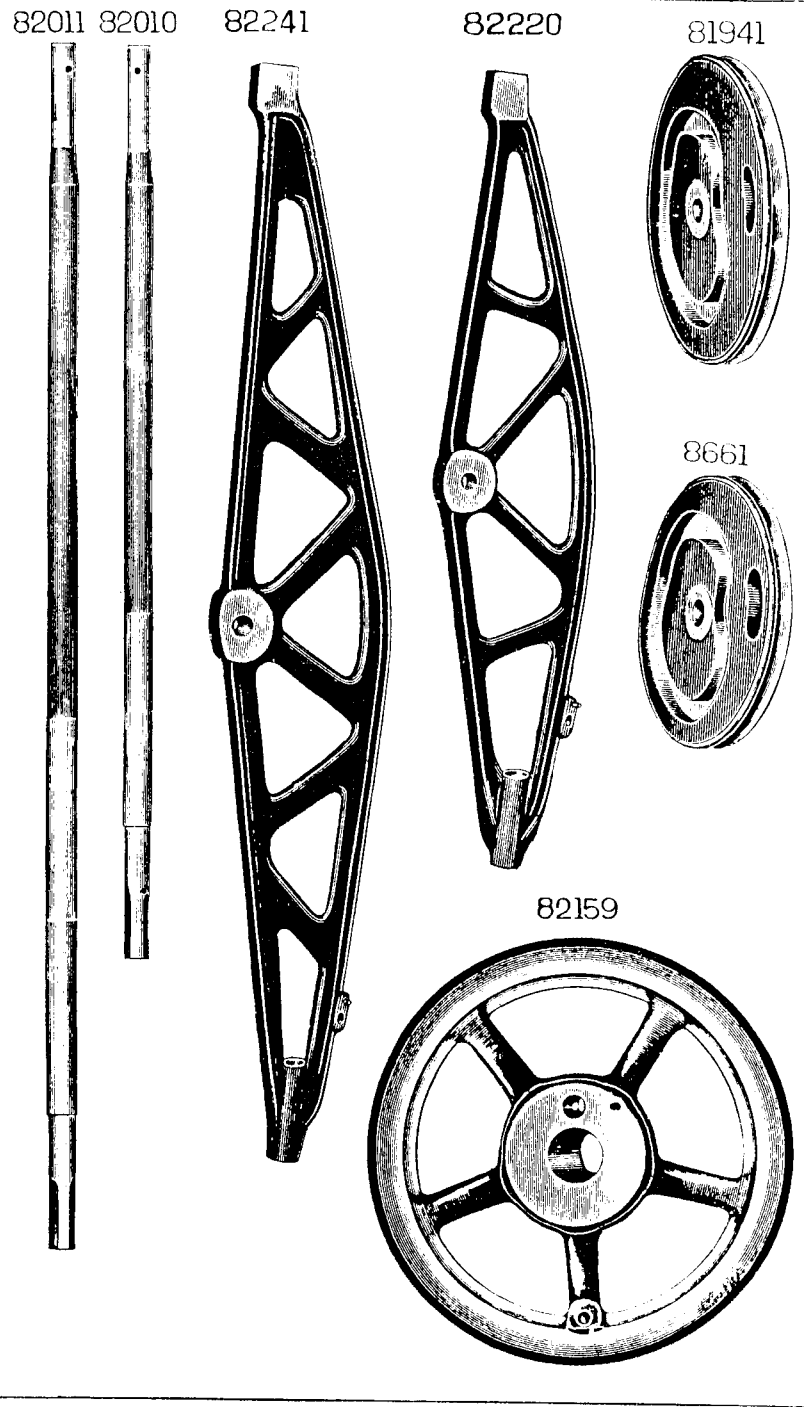
SINGER
29K71,K72,K73

ILLUSTRATED
LIST OF PARTS
FOR
CLASS 29K
MACHINES
(Nos. 29K71 to 29K73)

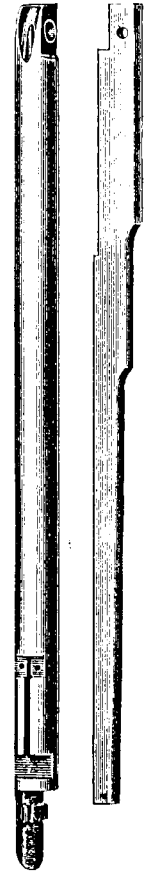


** A Trade Mark of THE SINGER MANUFACTURING CO.

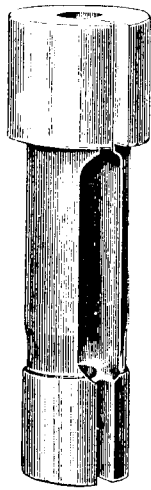




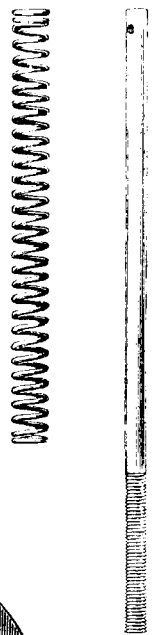
82030 8675



8573



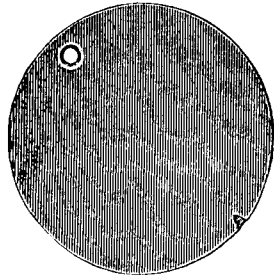
82129 82130



8590



4288



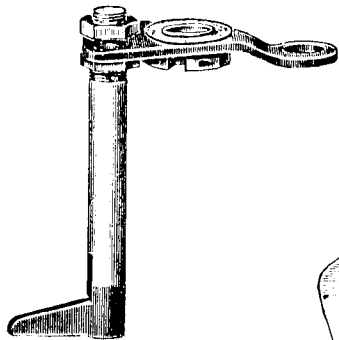
82083



81866



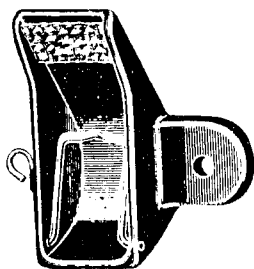
82057



82059



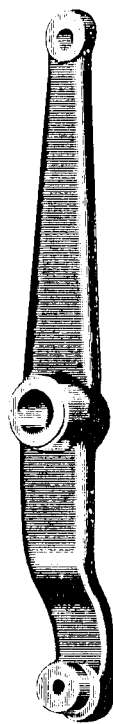
8670



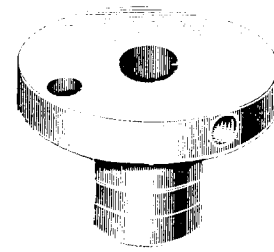
82212

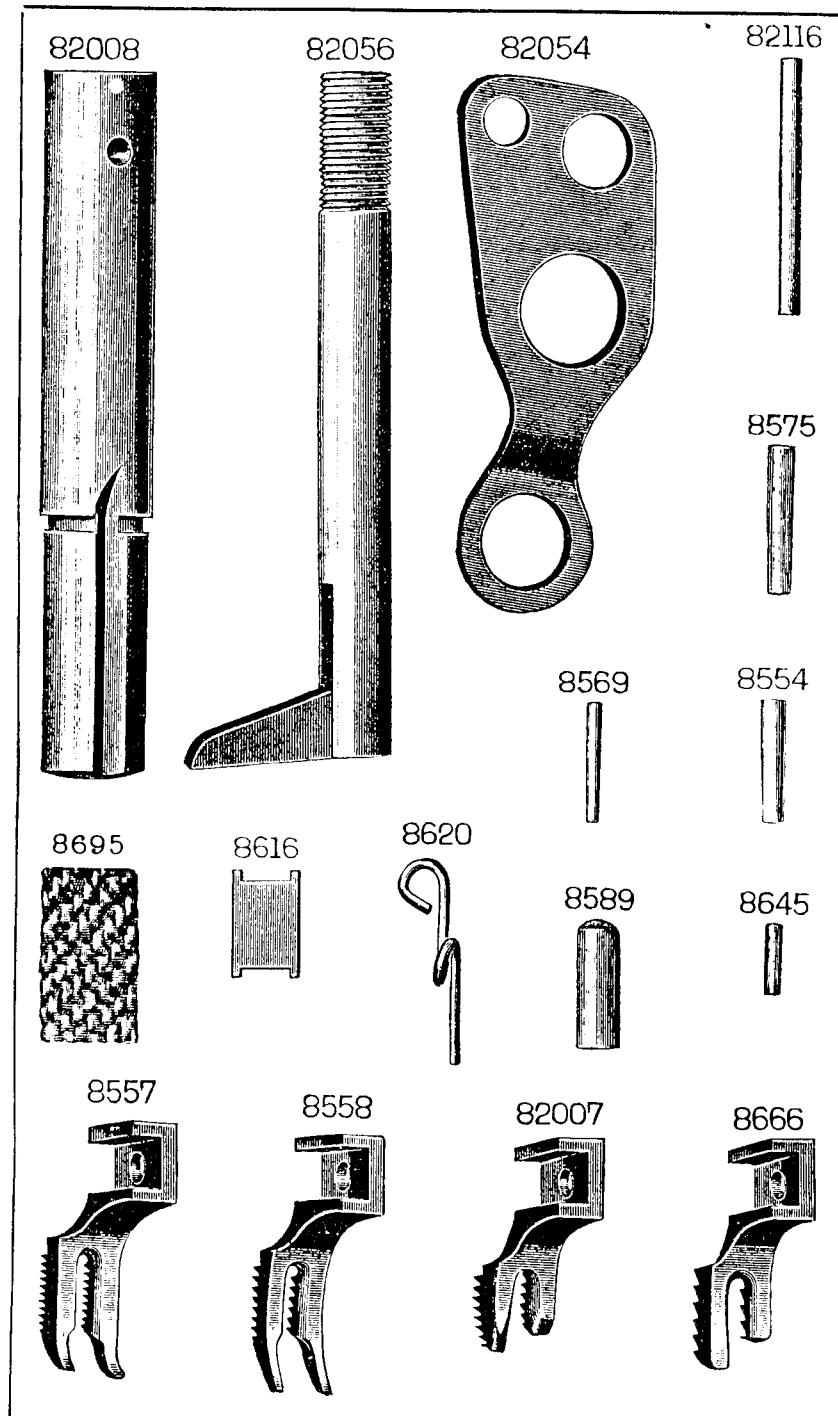
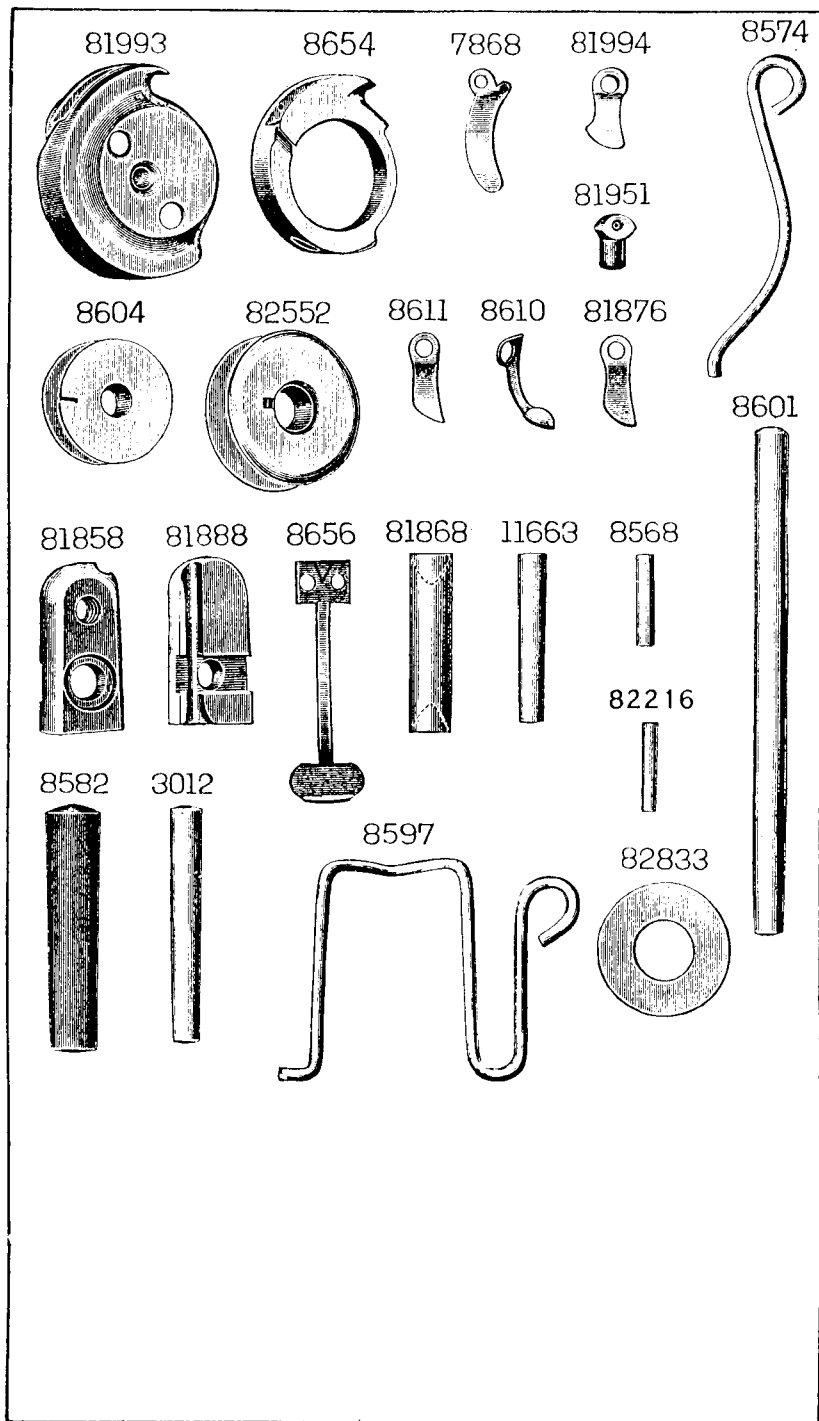


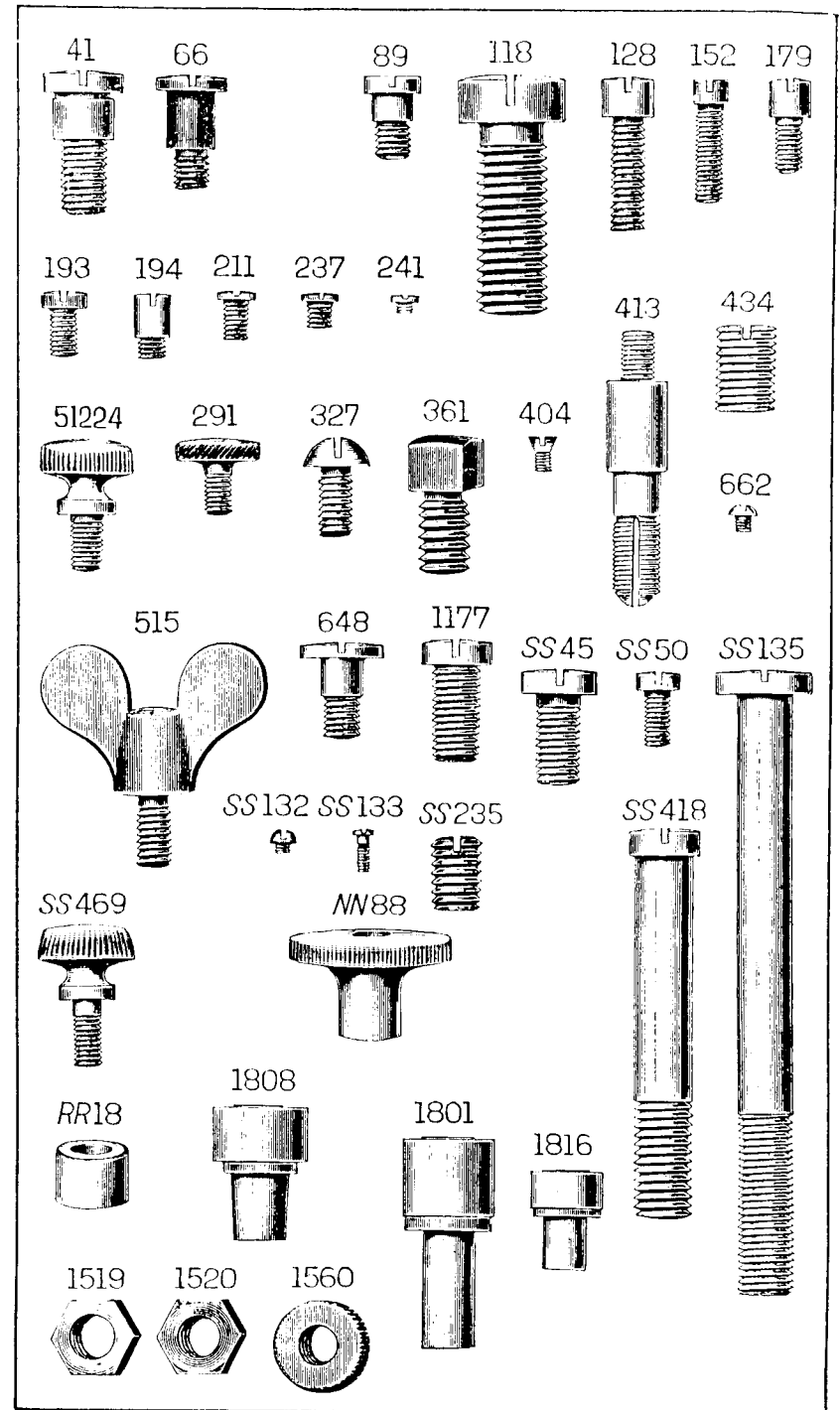
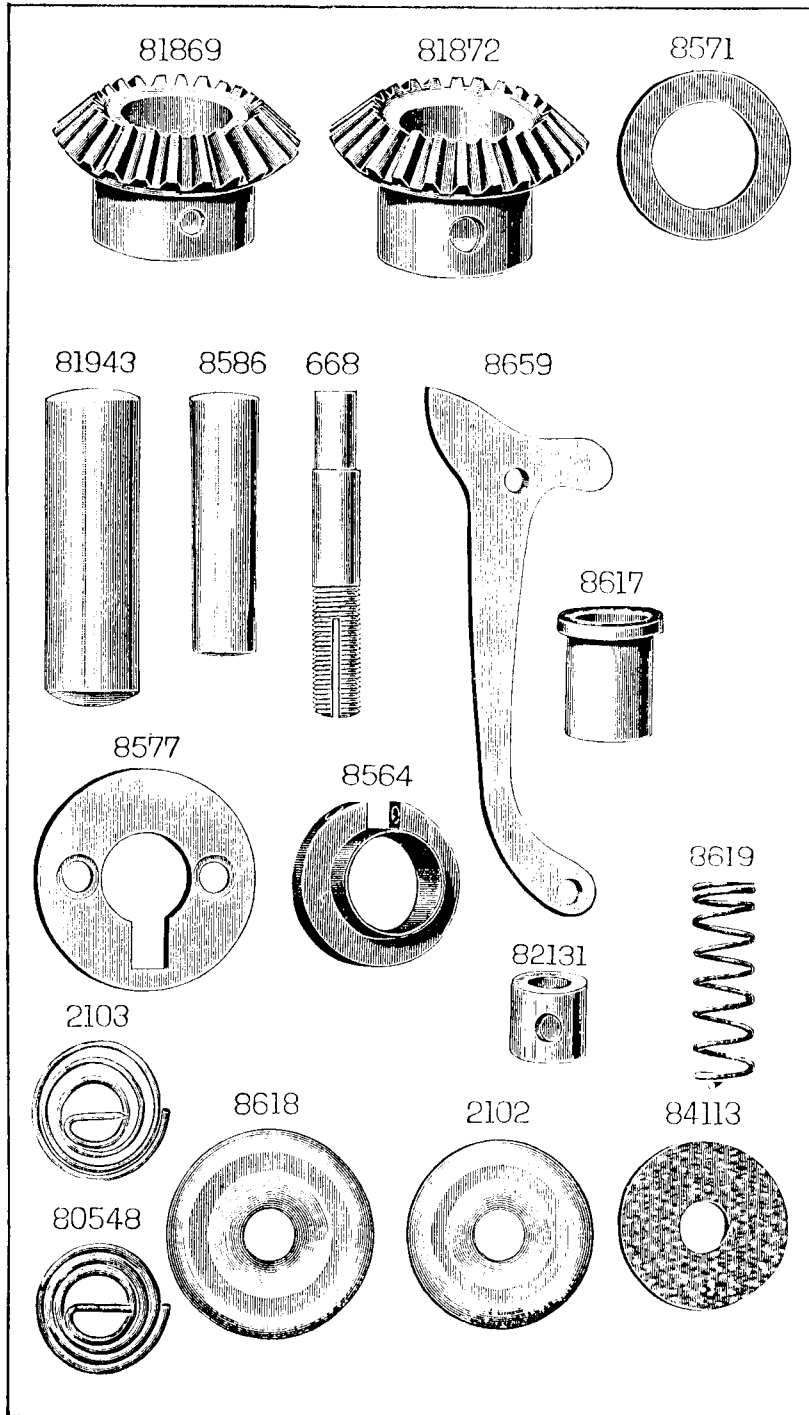
82184



82160







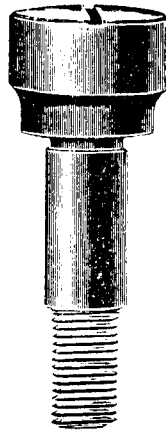
SS535



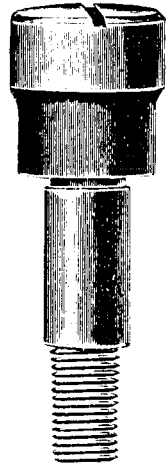
SS573



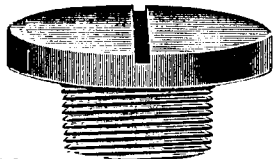
SS572



SS575



SS569



SS570



SS571



146



761



1423



50616



NN96



NN98



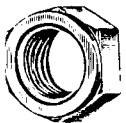
NN99



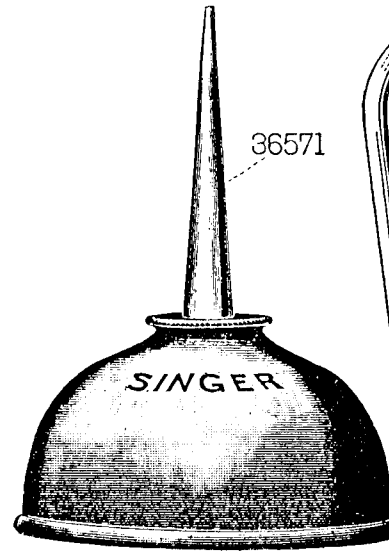
NN100



NN101

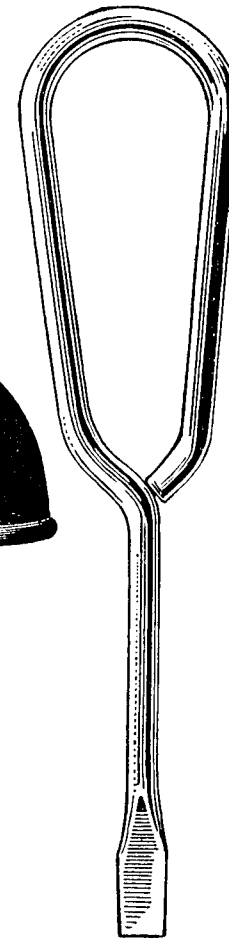


36569



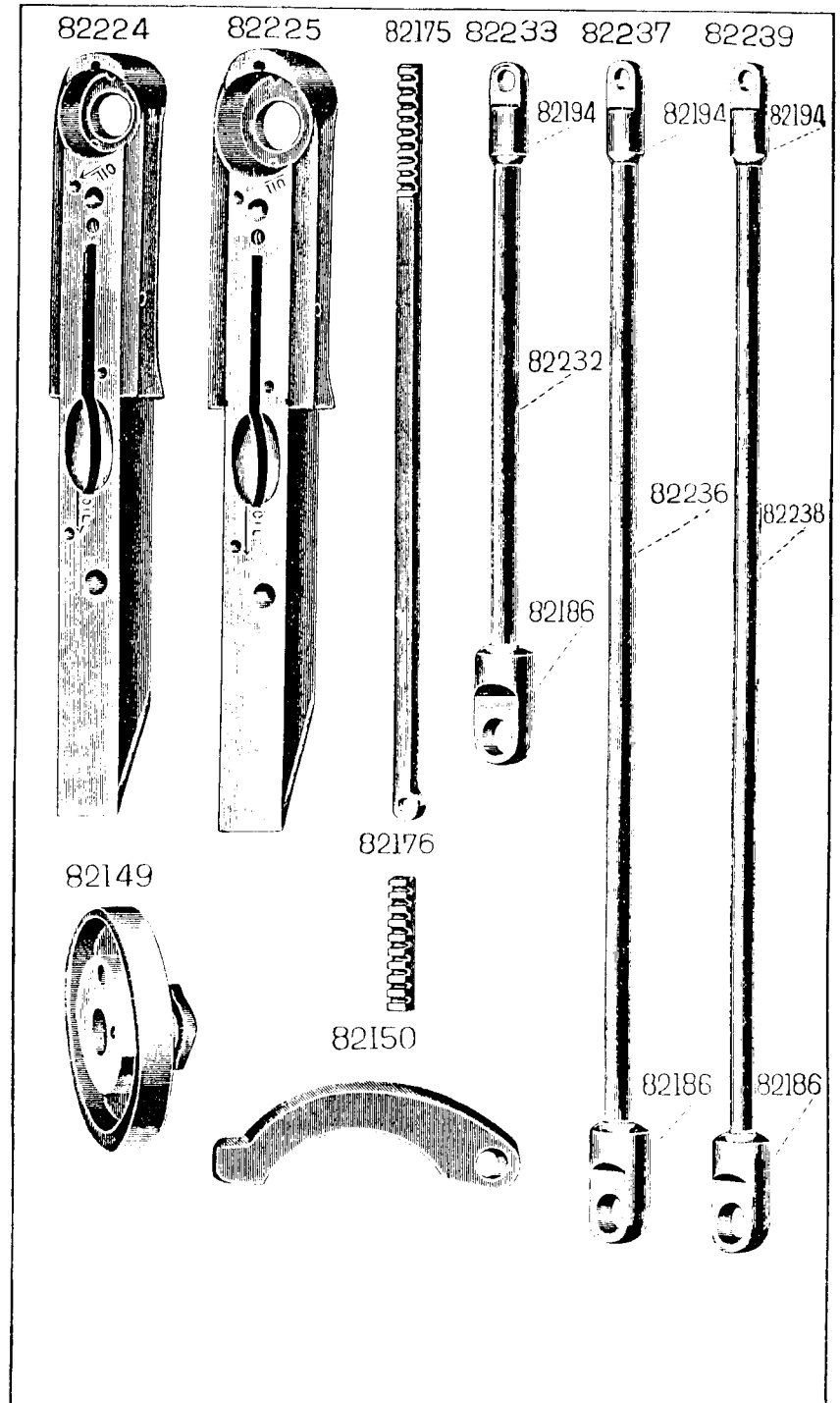
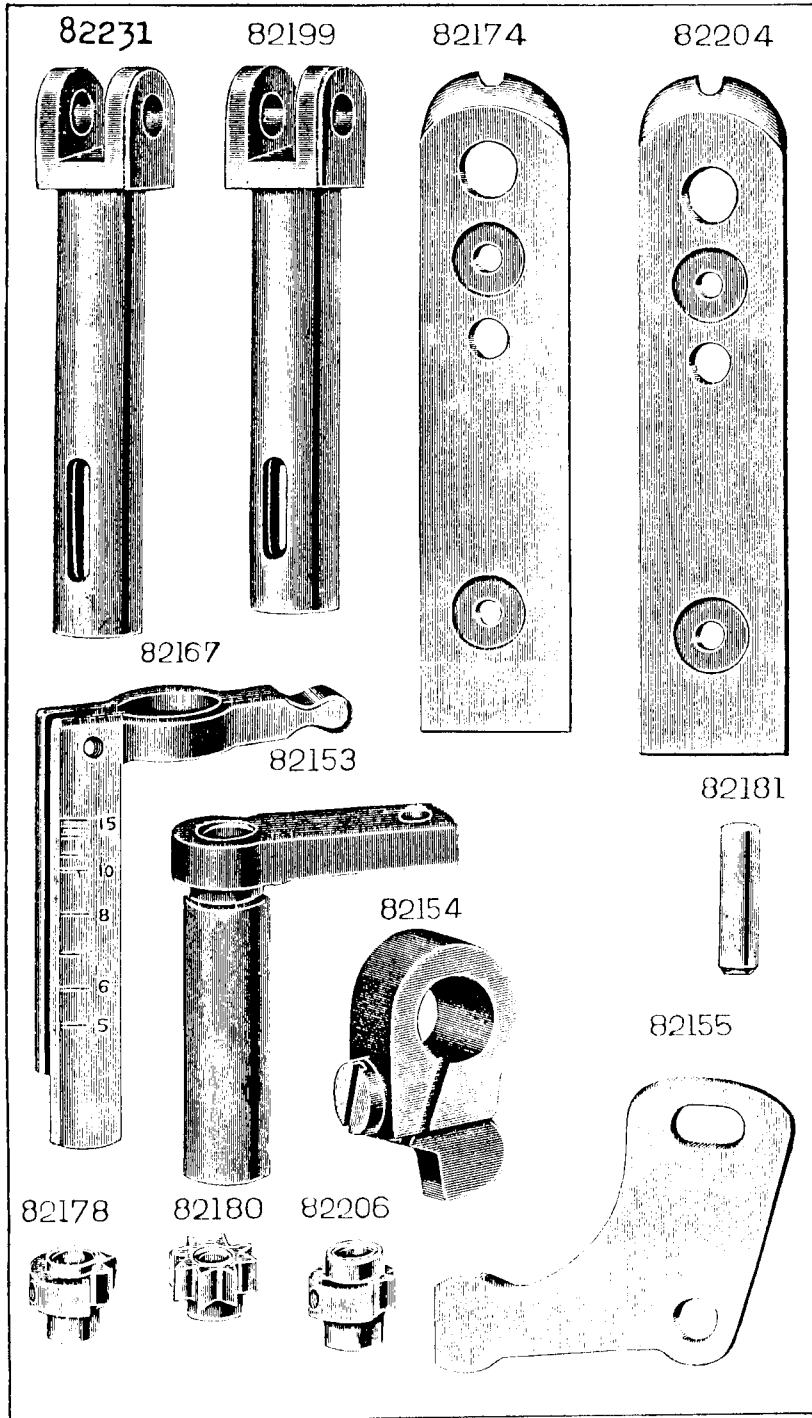
36571

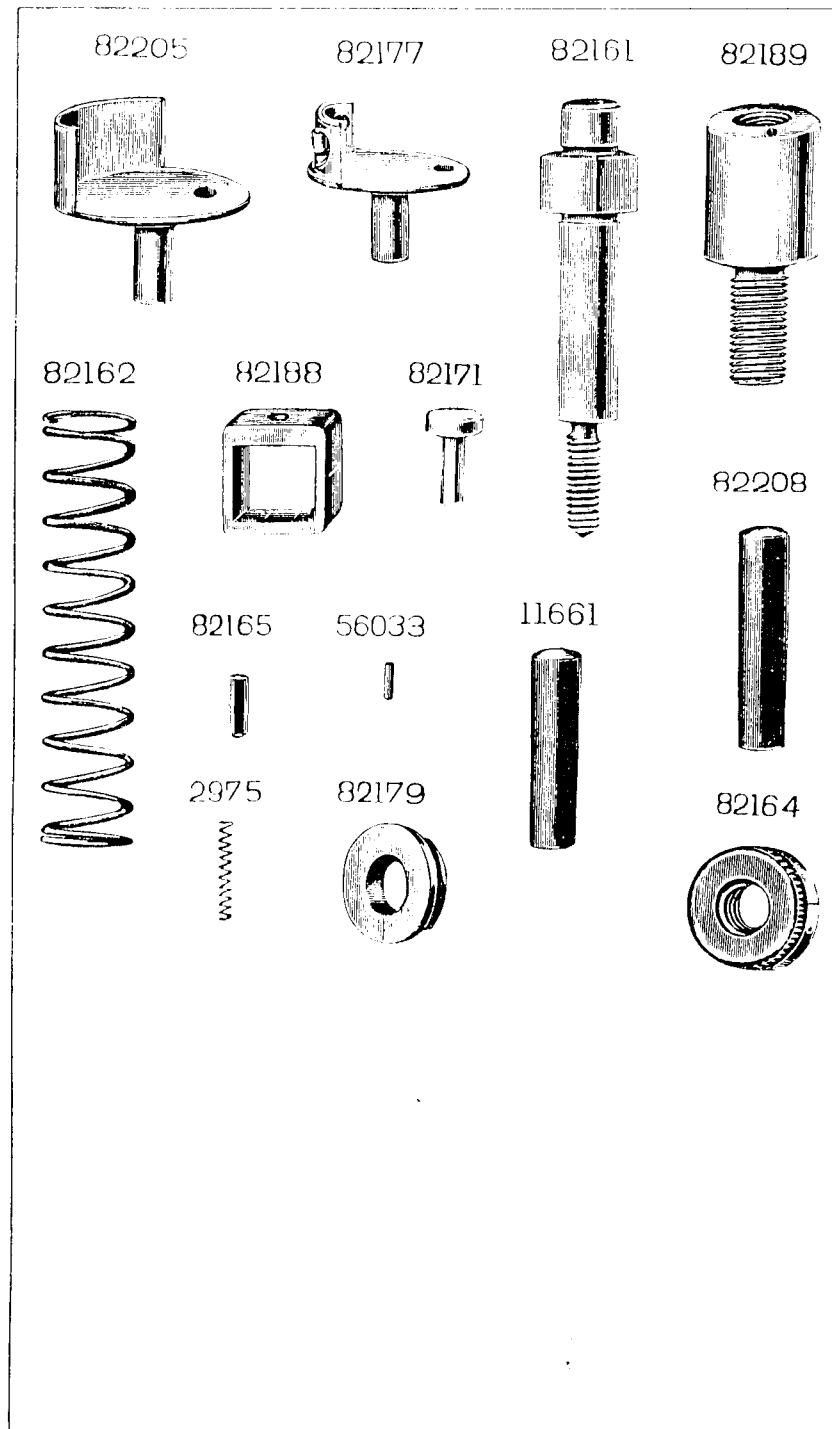
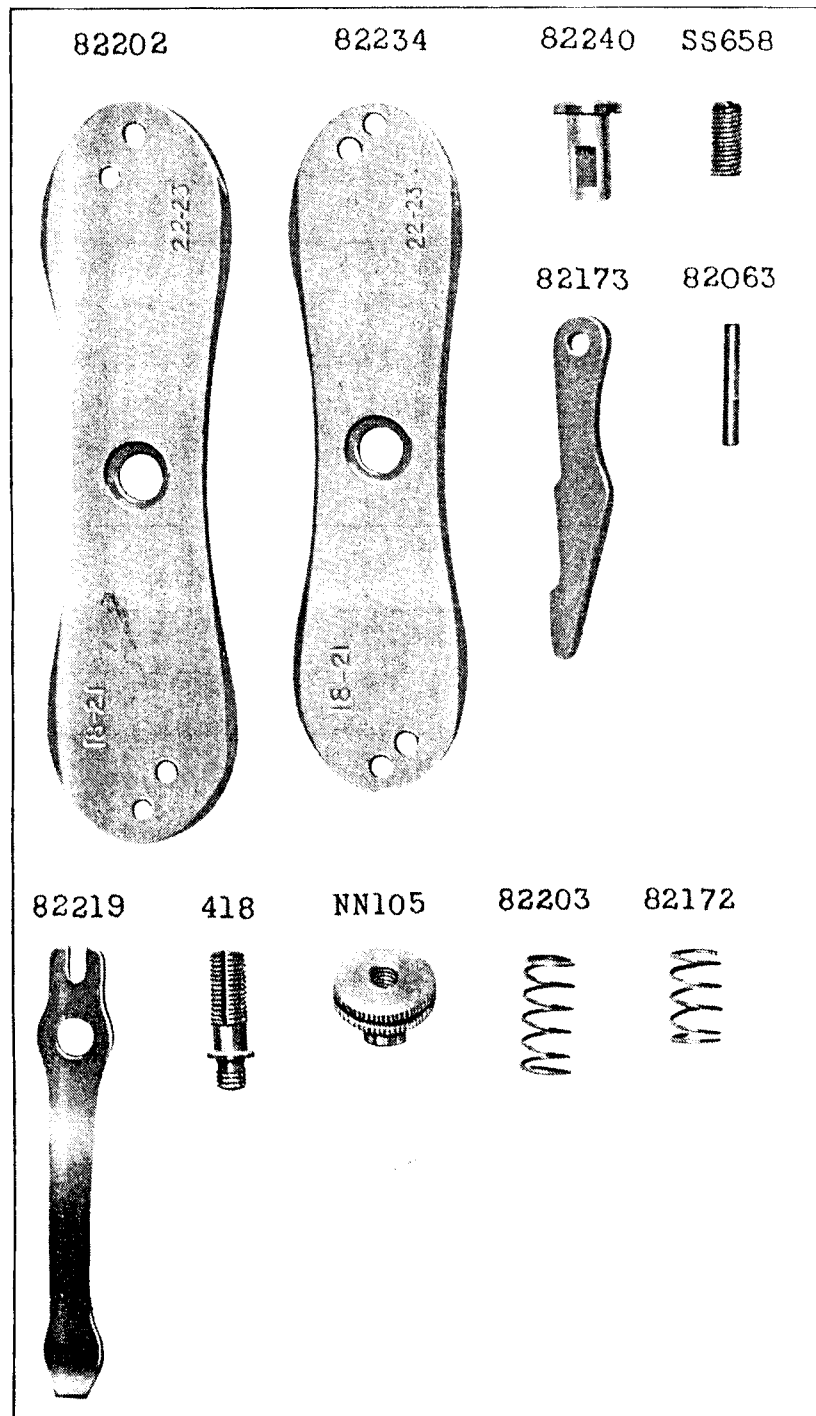
25537



120378







PARTS COMPLETE
FOR
No. 29K71 Machine

12½" from Needle to Base of Arm.

Universal Upper Feed. Oscillating Horizontal Shuttle. Stop Motion Balance Wheel. Replaceable Steel Horn. Convenient and Positive Adjustment of Presser Foot Lift. Eccentric Adjustment for Shuttle Timing. Check Lever Thread Take-up Adjustment with Indicator. Graduated Feed Motion Bell Crank to indicate the length of Stitch. Width at end of Shuttle Driving Gear Box 1", depth ¾". Two-speed Drive, diameter of belt grooves 2⅞" and 4⅞" for Boot and Shoe Repairing, Slipper Work, etc.

No.	Plate							
*82158	---	Arm with 449
118e	1998	" Base Screw (4)
82034	---	" Side Cover (front) for use when machine is fitted with Hand Wheel on end of Shatt
4288	1991	" Side Cover (back)
51224w	1998	" " " Thumb Screw
8659	1997	Check Lever
82189	2570	" " Indicator Body
NN100k	1999	" " " " Lock Nut
82164	2570	" " " Index Head
82165	2570	" " " " " Locating Plunger
2975	2570	" " " " " " " Spring
56033	2570	" " " " " " Stop Pin
8554	1995	" " " " " " Joint Pin
82219	2569	" " " " " " Spring
82216	1994	" " " " " " Steady Pin
418j	2569	" " " " " " Stud
NN105h	2569	" " " " " " Nut
SS570k	1999	" " " " " " Thread Take-up Adjusting Screw
NN99k	1999	" " " " " " " Lock Nut
82166		Check Lever Thread Take-up Adjusting Screw with Indicator , complete, Nos. NN99k, NN100k, SS570k, 2975, 56033, 82164, 82165 and 82189
82007	1995	Feeding Foot
8557	1995	" " (narrow fork, fine)
8558	1995	" " (" " coarse)
8666	1995	" " (for waxed thread)
193f	1998	" " Screw

NOTE:—No. 82007 is supplied with this Machine unless otherwise specified on order.

No.	Plate						
82167	2567	Feed Motion Bell Crank Lever					
194c	1998	" " " " " Joint Screw (2)					
82149	2568	" " Cam Wheel with R/R18 and 81868					
11663	1994	" " " " " Pin					
82053	1990	" " Ring Slide Bar with 1816					
1816	1998	" " " " " Roller and Stud					
8675	1991	Foot Bar					
8564	1997	" " Revolving Joint					
82054	1995	" " " " " Bearing					
82055		" " " " " 82051 with 8564 and 8571					
8569	1995	" " " " " Hinge Pin					
82056	1995	" " " " " Slide Rod					
NN96j	1999	" " " " " " Lock Nut (lower)					
NN101j	1999	" " " " " " " " (upper)					
8571	1997	" " " " " Washer					
82057	1991	Foot Bar Revolving Joint , complete, Nos. NN96j, NN101j, 82055 and 82056					
82159	1987	Hand Wheel					
81866	1991	" " Handle (wood)					
SS135d	1998	" " " Spindle					
1519e	1998	" " " " Nut					
SS569c	1999	" " Retaining Screw					
82160	1992	" " Stop Motion Flanged Bushing with two 434e					
434c	1998	" " " " " " Binding Screw					
82161	2570	" " " " " Plunger					
82162	2570	" " " " " Spring					
761c	1999	" " " " " Stop Screw					
NN98r	1999	" " " " " Thumb Nut					
82163		Hand Wheel and Stop Motion , complete, Nos. NN98r, SS135d, SS569c, 761c, 1519e, 81866 and 82159 to 82162					
82052	1990	Hand Wheel Hub					
SS45e	1998	" " " Screw (3)					
82008	1995	" " Shaft					
81869	1997	" " " Gear					
11663	1994	" " " " Pin					
82121		Hand Wheel Hub , complete, Nos. 11663, 81869, 82008 and 82052					
<i>NOTE. When machines are fitted with Hand Wheel on Shaft, Arm Side Cover No. 82031 is supplied in place of No. 82121.</i>							
82058	1990	Head of Machine					
128d	1998	" Binding Screw (4)					
8573	1991	" Revolving Bush					
33534		" " " Friction Spring					
8575	1995	" " " " Pin					
193f	1998	" " " " Screw					

No.	Plate						
82123	1990	Head Revolving Bush Handle					
152f	1998	" " " " Screw (2)					
SS535w	1999	" " " Stop Thumb Screw					
8577	1997	" " " Supporting Washer					
211d	1998	" " " " " Screw (2)					
82059	1991	Lifter					
66f	1998	" Hinge Screw					
*82223		Lower Arm and Bed					
8582	1994	" " " " Steady Pin (2)					
82030	1991	Needle Bar					
81858	1994	" " Clamp with 237f					
SS50f	1998	" " " Screw					
237f	1998	" " Needle Clamping Screw					
8656	1994	" " Thread Tension Spring					
SS133d	1998	" " " " " Screw					
82031		Needle Bar , complete, Nos. SS50f, 8656, 81858, 82030 and two SS133d					
8661	1987	Needle Bar Cam and Pulley Wheel with 361c					
3012	1994	" " " " " " Pin					
361c	1998	" " " " " " Set Screw					
82220	1987	Needle Bar Driving Lever with 1801 and 82216					
1801	1998	" " " " Cam Roller and Stud					
8386	1997	" " " " Joint Pin					
82231	2567	" " Piston Joint					
8589	1995	Needle Bar Piston Joint Pin					
82235		Needle Plate (Fine and Medium Needle Holes)					
82234	2569	" " (Medium and Coarse Needle Holes)					
82240	2569	" " Hinge Pin					
SS658	2569	" " " " Binding Screw					
82171	2570	" " Locating Plunger					
82172	2569	" " " " Spring					
82173	2569	" " Releasing Lever					
82063	2569	" " " " Hinge Pin					
8670	1991	Oil Cup with 8597 and 8695					
8695	1995	" " Oil Pad (cloth)					
327d	1998	" " Screw					
8597	1994	" " Spring					
82174	2567	Pinion Cover Plate					
1123j	1999	" " " Screw					
82175	2568	Rack (long)					
82176	2568	" (short)					

No.	Plate						
82010	1987	Shaft
4449	1990	" Bushing
8604	1994	Shuttle Bobbin
*8654	1994	" Body
662f	1998	" Tension Regulating Screw
8611	1994	" " Spring
8603	---	Shuttle , complete, Nos. 662f, 8604, 8611 and 8654
<i>NOTE.— No. 8603 is supplied with this Machine unless otherwise specified on order.</i>							
81876	1994	Shuttle Tension Spring
81964	---	Shuttle , complete, Nos. 662f, 8604, 8654 and 81876
82177	2570	Shuttle Carrier with 241d and 8610
82178	2567	" " Driving Pinion
82179	2570	" " " " Bushing
SS571al	1999	" " " " Screw
82180	2567	" " Following Pinion
82181	2567	" " " " Stud
8610	1994	" " Spring
241d	1998	" " " Screw
82073	1990	Shuttle Driving Cam with SS235c
82122	---	" " " and Gear, Nos. 81872 and 82073
81872	1997	" " " Gear
3012	1994	" " " " Pin
SS235c	1998	" " " " Set Screw
1808	1998	" " " Roller and Stud
*82224	2568	" " Gear Box
11661	2570	" " " Position Pin
146j	1999	" " " " Screw (2)
82226	---	" " " " complete, Nos. SS571al, 82063, 82171 to 82181, 82221 and two 1423j
82244	---	" " " " 82224 with 82179 and 82181 (for agents only)
82245	---	" " " " 82244 with SS658 and 82240 (for agents only)
82242	---	" " " " 82226 with SS658 and 82240
82184	1992	" " Lever with 1808
SS572c	1999	" " " Bearing Screw
82232	2568	" " " Connecting Rod
82194	2568	" " " " End (front)
82186	2568	" " " " " (back)
8645	1995	" " " " " Pin (front)
8569	1995	" " " " " " (back)
89e	1998	" " " " " Hinge Screw
82233	2568	" " " " " complete, Nos. 8569, 8645, 82186, 82194 and 82232
SS573c	1999	" " " Eccentric Stud
1520r	1998	" " " " Nut

No.	Plate						
8601	1994	Spool Pin
82188	2570	Stitch Regulator
8616	1995	" " Gib
291w	1998	" " Thumb Screw
668d	1997	Tension (top) Adjusting Stud
1560w	1998	" (") " " Thumb Nut
8617	1997	" (") Cup (release)
8618	1997	" (") Disc (2)
84113	1997	" (") " Washer (leather)
8619	1997	" (") Spring
*413d	1998	Tension (side) Adjusting Stud
33892	---	" (") " " 413d with 1560w
1560w	1998	" (") " " Thumb Nut
2102	1997	" (") Disc (2)
2103	1997	" (") Spring
82116	1995	" (") Thread Guide Pin
8620	1995	Thread Eyelet (Head of Arm)
193f	1998	" " Screw
82151	---	Vibrating Presser Lifting Lever (for light work)
82150	2568	" " " " (for medium work)
82152	---	" " " " (for heavy work)
<i>NOTE.— No. 82150 is supplied with this Machine unless otherwise specified on order.</i>							
41d	1998	Vibrating Presser Lifting Lever Screw
82153	2567	" " " " Shaft
82155	2567	" " " " " Adjusting Lever
515j	1998	" " " " " " " Clamping Screw
8568	1994	" " " " " Adjusting Lever
648j	1998	" " " " " " Clamping Screw Rivet
82154	2567	" " " " " " Hinge Screw
1177c	1998	" " " " " " Lever with 1177c
RR18	1998	" " " Roller
81868	1994	" " " Pin
82083	1991	" " Spring (light)
82129	1991	" " " (heavy)
<i>NOTE.— No. 82129 is supplied with this Machine unless otherwise specified on order.</i>							
82130	1991	Vibrating Presser Spring Bar
NN88w	1998	" " " " Adjusting Nut
82131	1997	" " " " Collar
179c	1998	" " " " Screw

PARTS COMPLETE
FOR
No. 29K72 Machine

17½ ins. from Needle to Base of Arm.

Universal Upper Feed. Oscillating Horizontal Shuttle. Stop Motion Balance Wheel. Replaceable Steel Horn. Convenient and Positive Adjustment of Presser Foot Lift. Eccentric Adjustment for Shuttle Timing. Check Lever Thread Take-up Adjustment with Indicator. Graduated Feed Motion Bell Crank to indicate the length of Stitch. Width at end of Shuttle Driving Gear Box 1 $\frac{5}{32}$ " , depth 1 $\frac{1}{16}$ ". Two-speed Drive, diameter of belt grooves 3 $\frac{1}{4}$ " and 5 $\frac{1}{4}$ ". Large Shuttle. For Waxed Thread. For Boot and Shoe Repairing, Slipper Work, etc.

No.	Plate	
*82195	-	Arm with 449
118e	1998	" Base Screw (4)
82034	-	" Side Cover (front) for use when machine is fitted with Hand Wheel on end of Shaft
4288	1991	" Side Cover (back)
51224w	1998	" " " Thumb Screw
8659	1997	Check Lever
82189	2570	" " Indicator Body
NN100k	1999	" " " " Lock Nut
82164	2570	" " " " Index Head
82165	2570	" " " " " Locating Plunger
2975	2570	" " " " " " " " Spring
56033	2570	" " " " " " " Stop Pin
8554	1995	" " " " " " " Joint Pin
82219	2569	" " " " " " " Spring
82216	1991	" " " " " " " Steady Pin
418j	2569	" " " " " " " Stud
NN105b	2569	" " " " " " " Nut
SS570k	1999	" " " " " " " Thread Take up Adjusting Screw
NN99k	1999	" " " " " " " " Lock Nut
82166	-	Check Lever Thread Take-up Adjusting Screw with Indicator, complete, Nos. NN99k, NN100k, SS570k, 2975, 56033, 82164, 82165 and 82189
82007	1995	Feeding Foot
8557	1995	" " (narrow fork, fine)
8558	1995	" " (" " " coarse)
8666	1995	" " (for waxed thread)
193f	1998	" " " " Screw

NOTE. -No. 8666 is supplied with this Machine unless otherwise specified on order.

No.	Plate	
82167	2567	Feed Motion Bell Crank Lever
194e	1998	" " " " " " " Joint Screw (2)
82149	2568	" " " " " " " Cam Wheel with R/R18 and 81868
11663	1991	" " " " " " " Pin
82053	1990	" " " " " " " Ring Slide Bar with 1816
1816	1998	" " " " " " " Roller and Stud
8675	1991	Foot Bar
8564	1997	" " " " " " " Revolving Joint
82054	1995	" " " " " " " Bearing
82055	-	" " " " " " " " 82054 with 8564 and 8571
8569	1995	" " " " " " " Hinge Pin
82056	1995	" " " " " " " Slide Rod
NN96j	1999	" " " " " " " " Lock Nut (lower)
NN101j	1999	" " " " " " " " " " " " (upper)
8571	1997	" " " " " " " " Washer
82057	1991	Foot Bar Revolving Joint, complete, Nos. NN96j, NN101j, 82055 and 82056
82159	1987	Hand Wheel
81866	1991	" " " " " " " Handle (wood)
SS135d	1998	" " " " " " " Spindle
1519e	1998	" " " " " " " " Nut
SS569c	1999	" " " " " " " Retaining Screw
82160	1992	" " " " " " " " Stop Motion Flanged Bushing with two 43c
434c	1998	" " " " " " " " " " " " Binding Screw
82161	2570	" " " " " " " " Plunger
82162	2570	" " " " " " " " Spring
761c	1999	" " " " " " " " Stop Screw
NN98r	1999	" " " " " " " " Thumb Nut
82163	-	Hand Wheel and Stop Motion, complete, Nos. NN98r, SS135d, SS569c, 761c, 1519e, 81866 and 82159 to 82162
82052	1990	Hand Wheel Hub
SS15e	1998	" " " " " " " " Screw (3)
82008	1995	" " " " " " " " Shaft
81869	1997	" " " " " " " " Gear
11663	1991	" " " " " " " " Pin
82121	-	Hand Wheel Hub, complete, Nos. 11663, 81869, 82008 and 82052

NOTE. When machines are fitted with Hand Wheel on Shaft, Arm Side Cover No. 82031 is supplied in place of No. 82121.

No.	Plate	
82058	1990	Head of Machine
128d	1998	" Binding Screw (4)
8573	1991	" Revolving Bush
33534	-	" " " " " " " Friction Spring
8575	1995	" " " " " " " Pin
193f	1998	" " " " " " " Screw

No.	Plate						
82123	1990	Head	Revolving Bush Handle
152f	1998	"	" " " " Screw (2)
SS535w	1999	"	" " " Stop Thumb Screw
8577	1997	"	" " " Supporting Washer
211d	1998	"	" " " " " Screw (2)
82059	1991	Lifter
66f	1998	"	Hinge Screw
*82200	---	Lower Arm and Bed
8582	1994	"	" " " " Steady Pin (2)
82212	1992	Needle Bar
81888	1994	"	" " Clamp with 237f
SS50f	1998	"	" " " Screw
237f	1998	"	" " Needle Clamping Screw
8656	1994	"	" " Thread Tension Spring
SS133d	1998	"	" " " " " Screw
82213	---	Needle Bar , complete, Nos. SS50f, 8656, 81888, 82212 and two SS133d
81941	1987	Needle Bar Cam and Pulley Wheel with 361c
3012	1994	"	" " " " " " Pin
361c	1998	"	" " " " " " Set Screw
82241	1987	Needle Bar Driving Lever with 1801 and 82216
1801	1998	"	" " " " " Cam Roller and Stud
81943	1997	"	" " " " " Joint Pin
82199	2567	"	" " Piston Joint
8589	1995	Needle Bar Piston Joint Pin
82201	---	Needle Plate (Fine and Medium Needle Holes)
82202	2569	"	" " (Medium and Coarse Needle Holes)
82240	2569	"	" " Hinge Pin
SS658	2569	"	" " " " Binding Screw
82171	2570	"	" " Locating Plunger
82203	2569	"	" " " " Spring
82173	2569	"	" " Releasing Lever
82063	2569	"	" " " " Hinge Pin
8670	1991	Oil Cup with 8597 and 8695
8695	1995	"	" " Oil Pad (cloth)
327d	1998	"	" " Screw
8597	1994	"	" " Spring
82204	2567	Pinion Cover Plate
1423j	1999	"	" " " Screw
82175	2568	Rack (long)
82176	2568	"	(short)

No.	Plate						
82011	1987	Shaft
4449	1990	"	Bushing
82552	1994	Shuttle Bobbin
7868	1994	"	" " Retaining Spring
SS133d	1998	"	" " " " Screw
*81993	1994	"	" Body
SS132d	1998	"	" Tension Regulating Screw
81994	1994	"	" " Spring
81951	1994	"	" Thread Pull-off
404d	1998	"	" " " Screw
81952	---	Shuttle , complete, Nos. SS132d, SS133d, 404d, 7868, 81951, 81993, 81994 and 82552
82205	2570	Shuttle Carrier
82206	2567	"	" " Driving Pinion
82179	2570	"	" " " " Bushing
SS571al	1999	"	" " " " Screw
82180	2567	"	" " Following Pinion
82181	2567	"	" " " " Stud
82073	1990	Shuttle Driving Cam with SS235c
82122	---	"	" " " and Gear, Nos. 81872 and 82073
81872	1997	"	" " " Gear
3012	1994	"	" " " " Pin
SS235c	1998	"	" " " " Set Screw
1808	1998	"	" " " Roller and Stud
*82225	2568	"	" " Gear Box
82208	2570	"	" " " Position Pin
146j	1999	"	" " " " Screw (2)
82227	---	"	" " " " complete, Nos. SS571al, 82063, 82171, 82173, 82175, 82176, 82179 to 82181, 82203 to 82206, 82225 and two 1423j
82246	---	"	" " Gear Box 82225 with 82179 and 82181 (for agents only)
82247	---	"	" " " " 82246 with SS658 and 82240 (for agents only)
82243	---	"	" " " " 82227 with SS658 and 82240
82184	1992	"	" " Lever with 1808
SS575c	1999	"	" " " Bearing Screw
82236	2568	"	" " " Connecting Rod
82194	2568	"	" " " " End (front)
82186	2568	"	" " " " " (back)
8645	1995	"	" " " " " Pin (front)
8569	1995	"	" " " " " (back)
89e	1998	"	" " " " Hinge Screw
82237	2568	"	" " " " complete, Nos. 8569, 8645, 82186, 82194 and 82236
SS573c	1999	"	" " " Eccentric Stud
1520r	1998	"	" " " " Nut

No.	Plate							
8601	1994	Spool Pin
82188	2570	Stitch Regulator
8616	1995	" "	Gib
291w	1998	" "	Thumb Screw
668d	1997	Tension (top) Adjusting Stud
1560w	1998	" (")	" "	Thumb Nut
8617	1997	" (")	Cup (release)
8618	1997	" (")	Disc (2)
84113	1997	" (")	" Washer (leather)
8619	1997	" (")	Spring
*413d	1998	Tension (side) Adjusting Stud
33892	—	" (")	" "	413d with 1560w
1560w	1998	" (")	" "	Thumb Nut
2102	1997	" (")	Disc (2)
80548	1997	" (")	Spring
82116	1995	" (")	Thread Guide Pin
8620	1995	Thread Eyelet (Head of Arm)
193f	1998	" "	Screw
82151		Vibrating Presser Lifting Lever (for light work)
82150	2568	" "	" "	(for medium work)
82152		" "	" "	(for heavy work)

NOTE: No. 82150 is supplied with this Machine unless otherwise specified on order.

41d	1998	Vibrating Presser Lifting Lever	Screw
82153	2567	" "	" "	Shaft
82155	2567	" "	" "	" "	Adjusting Lever
515j	1998	" "	" "	" "	" "	Clamping Screw
8568	1994	" "	" "	" "	Adjusting Lever
648j	1998	" "	" "	" "	Adjusting Lever	Clamping Screw	Rivet	...
82151	2567	" "	" "	" "	Lever with 4177c	Hinge Screw
4177c	1998	" "	" "	" "	" "	Clamping Screw
RR18	1998	" "	" "	Roller
81868	1994	" "	" "	Pin
82083	1991	" "	" "	Spring (light)
82129	1991	" "	" "	(heavy)

NOTE: No. 82129 is supplied with this Machine unless otherwise specified on order.

82130	1991	Vibrating Presser Spring Bar
NA88w	1998	" "	" "	Adjusting Nut
82131	1997	" "	" "	Collar
179e	1998	" "	" "	" "	Screw

PARTS SPECIAL TO No. 29K73 Machine

17½ ins. from Needle to Base of Arm.

Universal Upper Feed. Oscillating Horizontal Shuttle. Stop Motion Balance Wheel. Replacable Steel Horn. Convenient and Positive Adjustment of Presser Foot Lift. Eccentric Adjustment for Shuttle Timing. Check Lever Thread Take-up Adjustment with Indicator. Graduated Feed Motion Bell Crank to indicate the length of Stitch. Width at end of Shuttle Driving Gear Box 1", depth ¾". Two-speed Drive, diameter of belt grooves 3¼" and 5½". For Waxed Thread. For Boot and Shoe Repairing, Slipper Work, etc.

This machine is the same as 29K71 with the following exceptions:

No.	Plate							
*82195		Arm with 4419
*82196		Lower Arm and Bed
81941	1987	Needle Bar Cam and Pulley Wheel with 361e
82241	1987	" "	Driving Lever with 180f and 82246
81943	1997	" "	" "	Joint Pin
82199	2567	" "	" "	Piston Joint
82235		Needle Plate (fine and medium needle holes), for E'port
82234	2569	" "	" "	(medium and course needle holes), for E'port
82011	1987	Shaft
SS375c	1999	Shuttle Driving Lever Bearing Screw
82238	2568	" "	" "	Connecting Rod
82239	2568	" "	" "	" "	complete, Nos. 8569, 8615, 82186, 82194 and 82238

ACCESSORIES

ACCESSORIES supplied with 29K71 and 29K73 Machines

No.	Plate	
		Instruction Book
50616c	1999	Machine Screw (4) (for fastening Machine to Stand)
SS418c	1998	" " (4) (for fastening Machine to Power Table)
82833	1994	" " Washer (4) for SS418c
29x4		Needles (2 each, sizes 19, 21 and 22)
8590	1991	Needle Bar Threading Wire
36569	2499	Oiler
25537	2499	Screw Driver (Machine)
120378	2499	" " (Shuttle Tension)
8604	1994	Shuttle Bobbin (2)

ACCESSORIES supplied with 29K72 Machine

These are the same as for 29K71 Machine with the following exception :

No.	Plate	
82552	1994	Shuttle Bobbin (2)

BOBBIN WINDERS

BOBBIN WINDER for 29K71 and 29K73 Machines

No.	Plate							
8684	1484	Eccentric
SS469w	1998	" Thumb Screw
82086	1484	Frame
128d	1998	" Screw
8651	1484	Spindle
81965	---	" 8651 with 8371
8371	1484	" Pulley
2460	1484	" " Rubber Ring
82087	1484	Bobbin Winder, complete, Nos. 128d, SS469w, 2460, 8684, 81965 and 82086

BOBBIN WINDER for 29K72 Machine

No.	Plate							
8684	1484	Eccentric
SS469w	1998	" Thumb Screw
82086	1484	Frame
128d	1998	" Screw
82088	1484	Spindle
82089	---	" 82088 with 8371
8371	1484	" Pulley
2460	1484	" " Rubber Ring
82090	1484	Bobbin Winder, complete, Nos. 128d, SS469w, 2460, 8684, 82086 and 82089

Machine Bases for Power Tables

No.	Plate							
82214	---	Machine Base, for 29K71 Machine
82113	---	" " " 29K72 and 29K73 Machines
50616e	1999	" " Screw (for fastening Base to Machine) (4)
---	---	" " Screw (wood) 1" No. 12 (for fastening Base to Power Table) (4)

These bases are only supplied when specified on order and are charged extra.