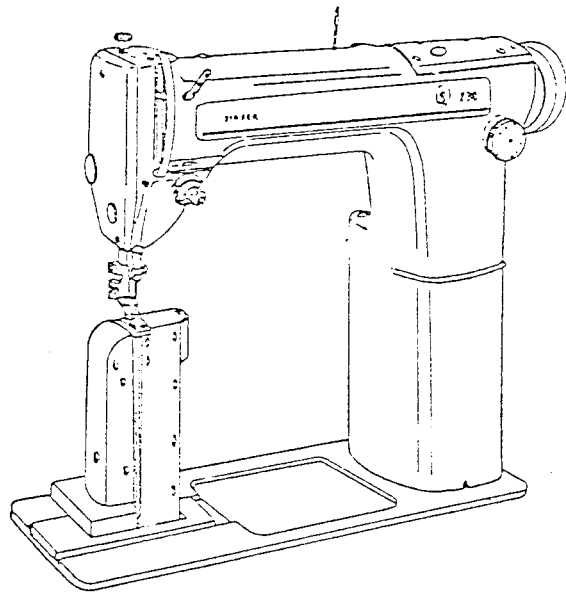


SINGER
238T300A

MACHINE PARTS CHART

SINGER



238 T300A

MADE IN JAPAN

NUMERICAL LIST OF PARTS FOR MACHINE - 238T300A

<u>Part No.</u>	<u>Description</u>
2102-001	Tension Disk (2)
6759-75	Needle
11170	Presser Bar Spring Washer
45343	Tension Thread Guide
52130	Thread Take-up Lever Thread Eyelet Bushing
52454	Thread Retainer
56073	Bell Crank Spring
125314	Tension Spring
125331	Oil Pad (felt)
143058	Needle Bar Connecting Stud Slide Block
146610	Presser Bar Lifting Lever Spring
200594-803	Bobbin Case Tension Spring Regulating Screw
200984-803	Bobbin Case Tension Spring Screw
201253-451	Hook Gib Set Screw (2)
203214	Bobbin Case Tension Spring
203525	Hook Gib
238250	Hook and Bobbin Case Cpl.
354548-451	Feed Cover Set Screw (4)
354682-451	Feed Wheel Cap Screw
354805-452	Feed Post Set Screw (4)
408558	Feed Post Set Screw Washer (2)
410904	Needle Bar Thread Guard
446262	Feed Wheel Crank Link Clamping Screw Washer Feed Post Set Screw Washer (4)
446331	Tension Releasing Pin
504002	Thread Take-up Lever Link Hinge Stud Set Screw Arm Shaft (horizontal) Flanged Bushing (front) Set Screw Arm Shaft (horizontal) Flanged Bushing (center) Set Screw Arm Shaft (horizontal) Flanged Bushing (back) Set Screw Rotating Hook Shaft Bushing Set Screw (3) Feed Regulator Hinge Stud Set Screw
504007	Rotating Hook Driving Shaft Collar Set Screw (3) Feed Wheel Driving Pinion Crank Collar Set Screw (2) Feed Wheel Bevel Gear Set Screw (2) Feed Wheel Driving Pinion Collar Set Screw (4)
504047	Tension Stud Set Screw
504066	Arm Shaft (horizontal) Bevel Gear Set Screw (2)
504074	Feed Regulating Stud Head Cap Screw
504083	Presser Bar Guide and Pressure Regulating Thumb Screw

<u>Part No.</u>	<u>Description</u>
504094	Thread Retainer Set Screw Feed Rock Shaft Flanged Bushing (front) Set Screw
504095	Thread Take-up Crank Set Screw (2)
504099	Arm Top Cover Screw (4) Bell Crank Bracket Set Screw (2)
504100	Presser Bar Lifting Lever Connecting Rod Screw
504101	Arm Shaft (horizontal) Collar Set Screw (2) Arm Shaft (upright) Bevel Gear (upper) Set Screw (2) Arm Shaft (upright) Bevel Gear (lower) Set Screw (2) Rotating Hook Shaft Bevel Gear Set Screw (4) Rotating Hook Driving Shaft Bevel Gear Set Screw (2) Feed Driving Shaft Crank Set Screw
504112	Needle Set Screw
504118	Needle Bar Connecting Link Cap Screw
504119	Machine Pulley Set Screw (2)
504120	Needle Bar Crank Position Screw
504129	Needle Bar Bushing (upper) Set Screw Needle Bar Bushing (lower) Set Screw Presser Bar Bushing (lower) Set Screw
504145	Oil Returning Tube Holder Set Screw
504509	Presser Bar Lifting Lever Connecting Rod Nut
505151	Tension Releasing Lever Hinge Pin
505152	Tension Releasing Lever Spring
505387	Presser Bar Lifting Lever Connecting Rod Joint
505417	Bell Crank
505575	Presser Bar Spring
505649	Presser Bar Bushing (lower)
531002-451	Thread Take-up Spring Regulator Set Screw
531005	Bed Leg (long)
531006	Bed Leg (short) (3)
531012	Plastic Tube w/Wick for Lubricating Feed Conn. Rod (lower bearings)
531015-451	Arm Top Cover Cpl.
531019	Arm Shaft (horizontal) Flanged Bushing (back)
531022	Feed Rock Cam
531024	Arm Shaft and Bevel Gear (lower) Ass'y
531025	Arm Shaft (upright)
531028	Feed Rock Shaft Crank Connecting Rod Cpl.
531030	Feed Connecting Link Stud
531041	Presser Bar Lifting Lever Link
531042	Tension Cpl.

<u>Part No.</u>	<u>Description</u>
531043	Thread Take-up Spring
531044	Thread Take-up Spring Regulator Cpl.
531047	Bell Crank Cpl.
531048	Presser Bar Lifting Lever Connecting Rod
531049	Rotating Hook Driving Shaft
531050	Rotating Hook Driving Shaft Bevel Gear
531052	Rotating Hook Shaft Bushing (center)
531053	Rotating Hook Shaft Bushing (front)
531054	Oil Returning Tube Cpl.
531071	Roller Arm Bracket Ret. Headed Pin
531072	Compression Spring
531075-451	Hook Shaft Supporter with Hook Shaft Bushing
531078-451	Hook Shaft Supporter Bushing Set Screw
531079	Hook Shaft Supporter Felt
531082-451	Rotating Hook Clamping Screw
531084	Rotating Hook Thread Guide
531093	Rotating Hook Collar
531095-451	Rotating Hook Collar Set Screw (2)
531096	Rotating Hook Opener Cpl.
531097	Rotating Hook Opener
531099	Rotating Hook Opener Bracket
531100-451	Rotating Hook Opener Bracket Screw (2)
531101-451	Rotating Hook Opener Hinge Screw
531102	Rotating Hook Shaft Bevel Gear (left)
531118-451	Hook Shaft Supporter Front Cover Plate
531119-451	Hook Shaft Supporter Front Cover Plate Clamping Screw (4) Hook Shaft Supporter Back Cover Plate Clamping Scre (4)
531120-451	Hook Shaft Supporter Back Cover Plate
531121-451	Hook Shaft Supporter Cover Plate Screw (2)
531122	Bobbin
531127	Side Plate
531128-451	Hook Shaft Supporter Plate Bracket Clamping Screw (2) Side Cover Plate Bracket Clamping Screw (2) Arm Spool Pin and Thread Eyelet
531132	Rotating Hook Shaft Bushing (back)
531158	Rotating Hook Driving Shaft Collar (3)
531159	Feed Plate Bracket Clamping Screw Washer (2)
531160	Hook Shaft Supporter Plate Bracket Clamping Screw Washer (2)
531163	Feed Regulator Spring Stud

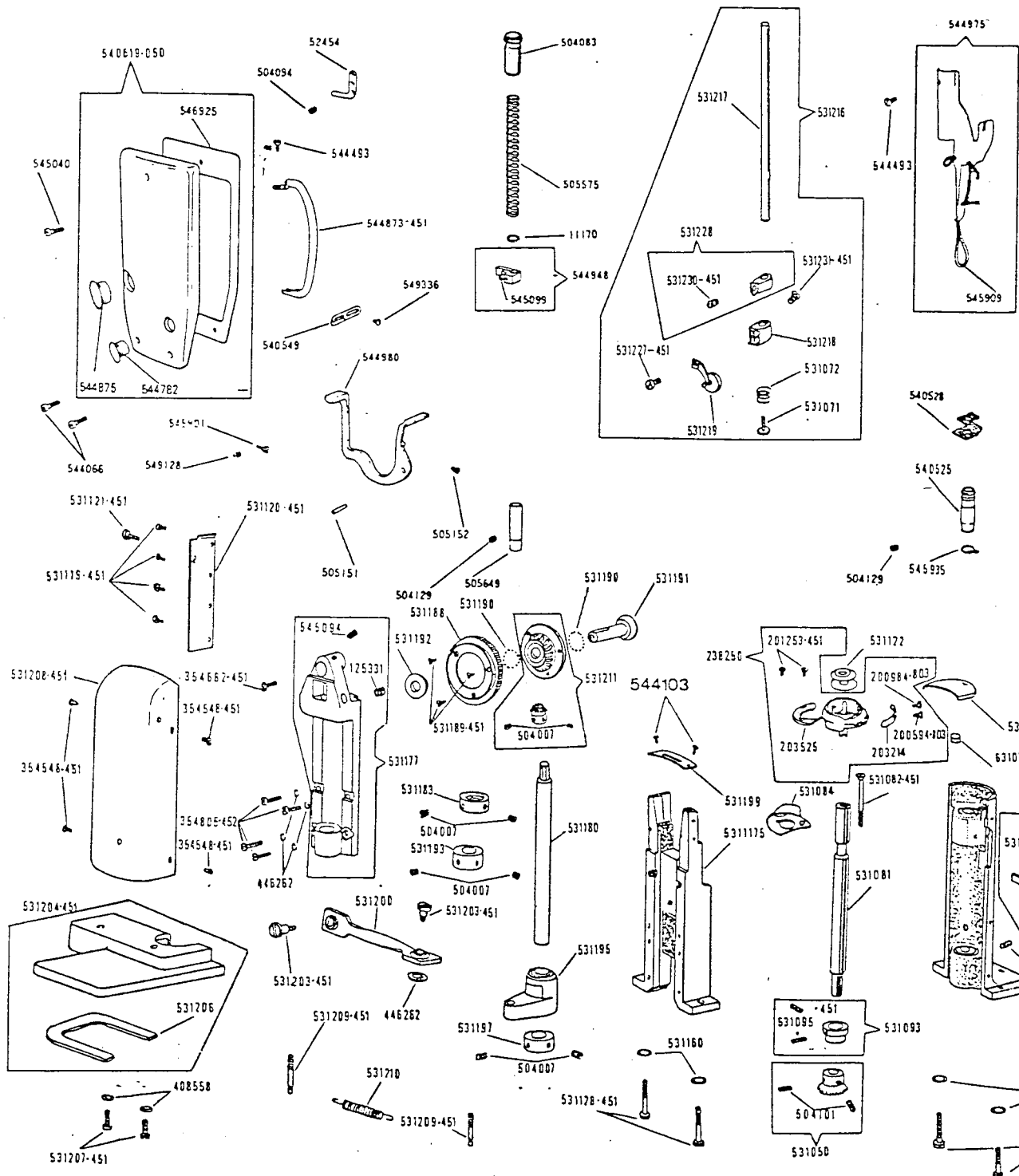
<u>Part No.</u>	<u>Description</u>
531164	Feed Regulator Cpl.
531166	Feed Regulator Cpl.
531167	Feed Regulator Spring
531168	Feed Driving Shaft
531169	Feed Driving Shaft Crank
531175	Feed Wheel Bracket
531177	Feed Post
531180	Feed Wheel Driving Pinion
531183	Feed Wheel Driving Pinion Collar (upper)
531188	Feed Wheel
531189-451	Feed Wheel Screw (3)
531190	Steel Ball (60)
531191	Feed Wheel Shaft
531192	Feed Wheel Shaft Bushing
531193	Feed Wheel Driving Pinion Collar (lower)
531195	Feed Wheel Driving Pinion Crank
531197	Feed Wheel Driving Pinion Crank Collar
531199	Needle Plate
531200	Feed Wheel Crank Link
531203-451	Feed Wheel Crank Link Clamping Screw (2)
531204-451	Bed Cover Cpl.
531206	Bed Cover Cushion
531207-451	Feed Post Set Screw (2)
531208-451	Feed Post Cover
5312009-451	Feed Post Spring Stud (2)
531210	Feed Post Spring
531211	Feed Wheel Bevel Gear Cpl.
531216	Roller Presser Bar and Bar Cpl.
531217	Roller Presser Bar
531218	Roller Arm Bracket
531219	Roller with Supporter
531227-451	Roller Arm Screw
531228	Roller Arm Bracket Positioning Block
531230-451	Roller Arm Bracket Positioning Block Set Screw
531231-451	Roller Arm Bracket Stopper Screw
540406	Arm Shaft (horizontal) Flanged Bushing (front)
540435	Feed Regulating Stud Lock Pin
540476	Thread Take-up Crank Bearing Plate

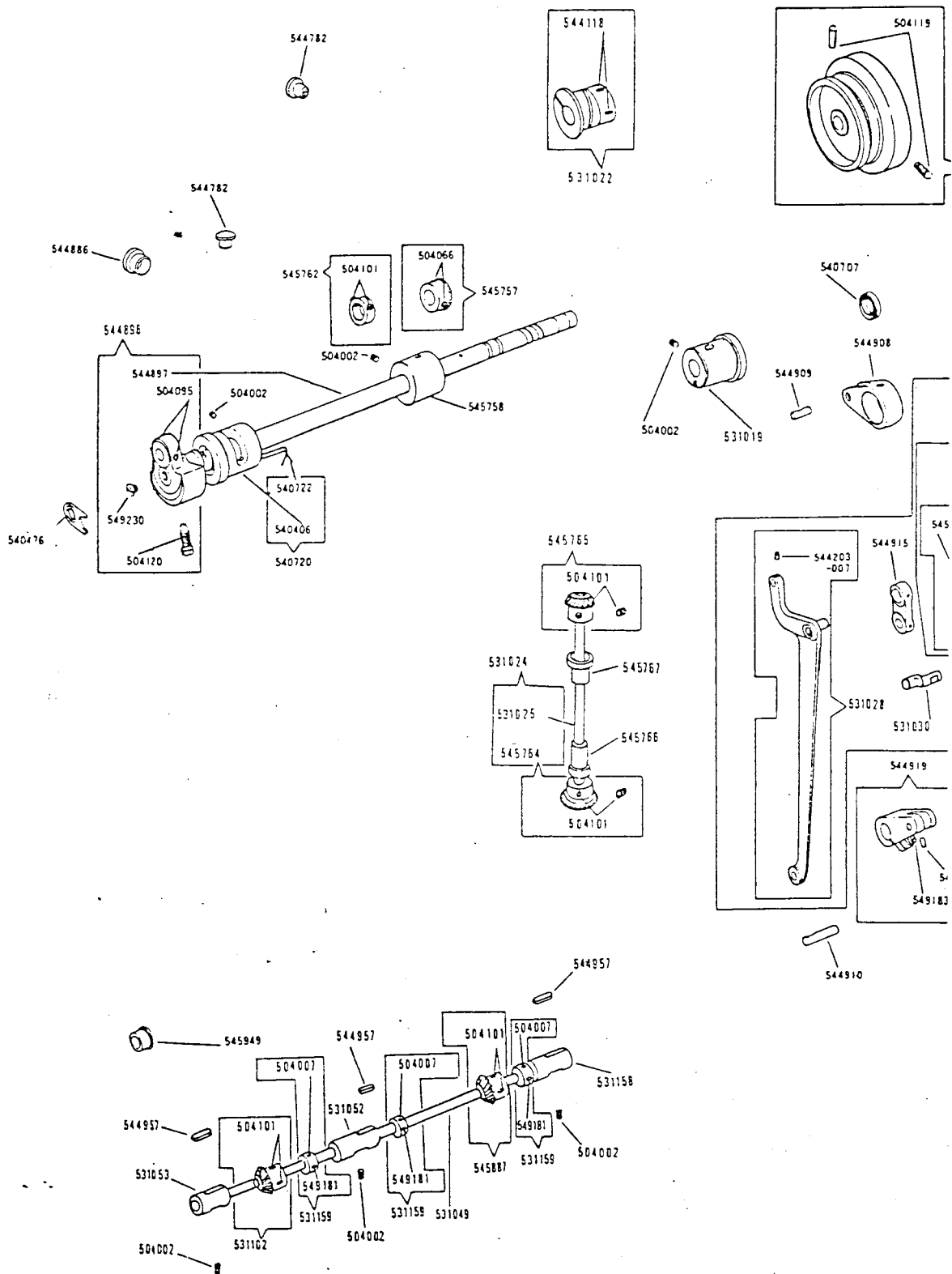
<u>Part No.</u>	<u>Description</u>
544896	Arm Shaft (horizontal) and Needle Bar Crank Cpl.
544897	Arm Shaft (horizontal) Cpl.
544901	Machine Pulley Cpl.
544908	Feed Rock Cam Link
544909	Feed Rock Cam Link Pin
544910	Feed Rock Shaft Crank Pin
544915	Feed Connecting Link
544917	Feed Regulator Cpl.
544919	Feed Rock Shaft Crank Cpl.
544922	Feed Regulator Hinge Stud
544945	Feed Regulating Stud
544946	Feed Regulating Stud Head
544947	Feed Regulating Latch Plate
544948	Presser Bar Guide Bracket Cpl.
544952	Presser Bar Lifting Lever
544957	Rotating Hook Shaft Bushing Oil Felt (3)
544975	Thread Take-up Lever Oil Guard Cpl.
544980	Tension Releasing Lever
545040	Face Plate Screw
545051	Oil Wick Holder Screw
545053	Presser Bar Lifter Hinge Screw
545094	Feed Wheel Shaft Set Screw
	Feed Driving Shaft Crank Set Screw
545099	Presser Bar Guide Bracket Clamping and Tension Releaser Screw
545136	Feed Regulator Screw
545404-451	Tension Regulating Thumb Nut (2)
545757	Arm Shaft (horizontal) Bevel Gear
545758	Arm Shaft (horizontal) Bushing (center)
545762	Arm Shaft (horizontal) Collar
545764	Arm Shaft (upright) Bevel Gear (lower)
545765	Arm Shaft (upright) Bevel Gear (upper)
545766	Arm Shaft (upright) Bushing (lower)
545767	Arm Shaft (upright) Bushing (upper)
545820	Feed Regulating Stud Lock Pin Spring
545836	Feed Rock Shaft Flanged Bushing (front)
545837	Feed Rock Shaft Collar Cpl.
545841	Needle Bar Bushing (upper)
545868	Presser Bar Lifter

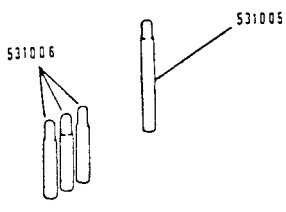
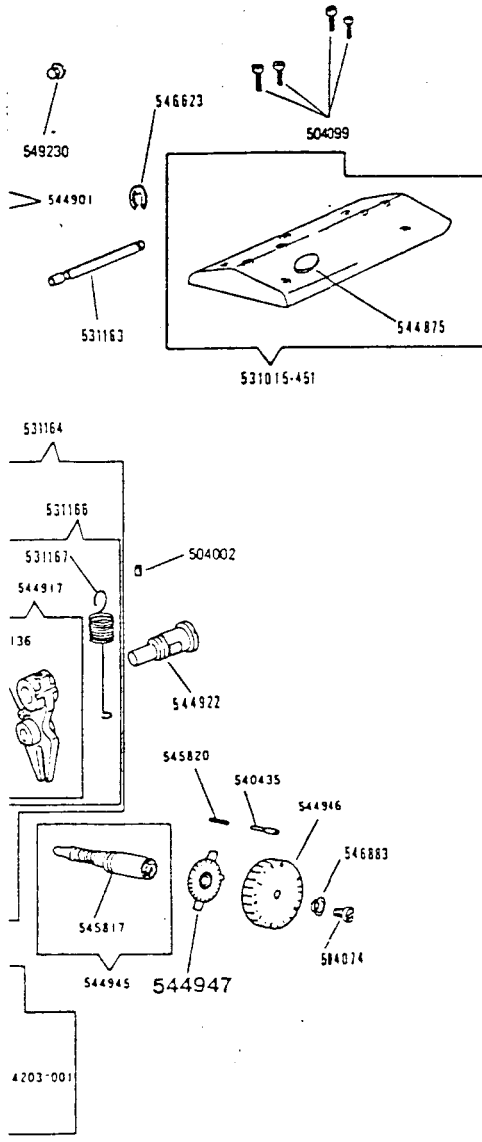
<u>Part No.</u>	<u>Description</u>
545982	Presser Bar Lifting Lever Connecting Rod Oil Mist Retaining Disk
545887	Rotating Hook Shaft Bevel Gear (right)
545893	Tension Releasing Disk
545898	Tension Stud Cpl.
545901	Thread Eyelet (side of arm)
545909	Thread Take-up Lever Oil Guard Wick (cotton) Oil Wick (cotton) (2)
545935	Needle Bar Bushing (lower) Thread Eyelet
545949	Feed Rock Shaft Flanged Bushing (back)
546172	Presser Bar Lifting Lever Connecting Rod Snap Ring
546623	Feed Regulator Spring Stud Ring
546883	Feed Regulating Stud Head Plate Retainer
546925	Face Plate Gasket
549128	Thread Eyelet (side of Arm) Screw
549181	Rotating Hook Shaft Collar Set Screw (3)
549183	Feed Rock Shaft Crank Clamping Screw
549230	Arm Shaft (horizontal) Screw Plug (2)
549336	Thread Guard (side of arm) Screw
549380	Needle Bar Connecting Stud Clamping Screw

SINGER*

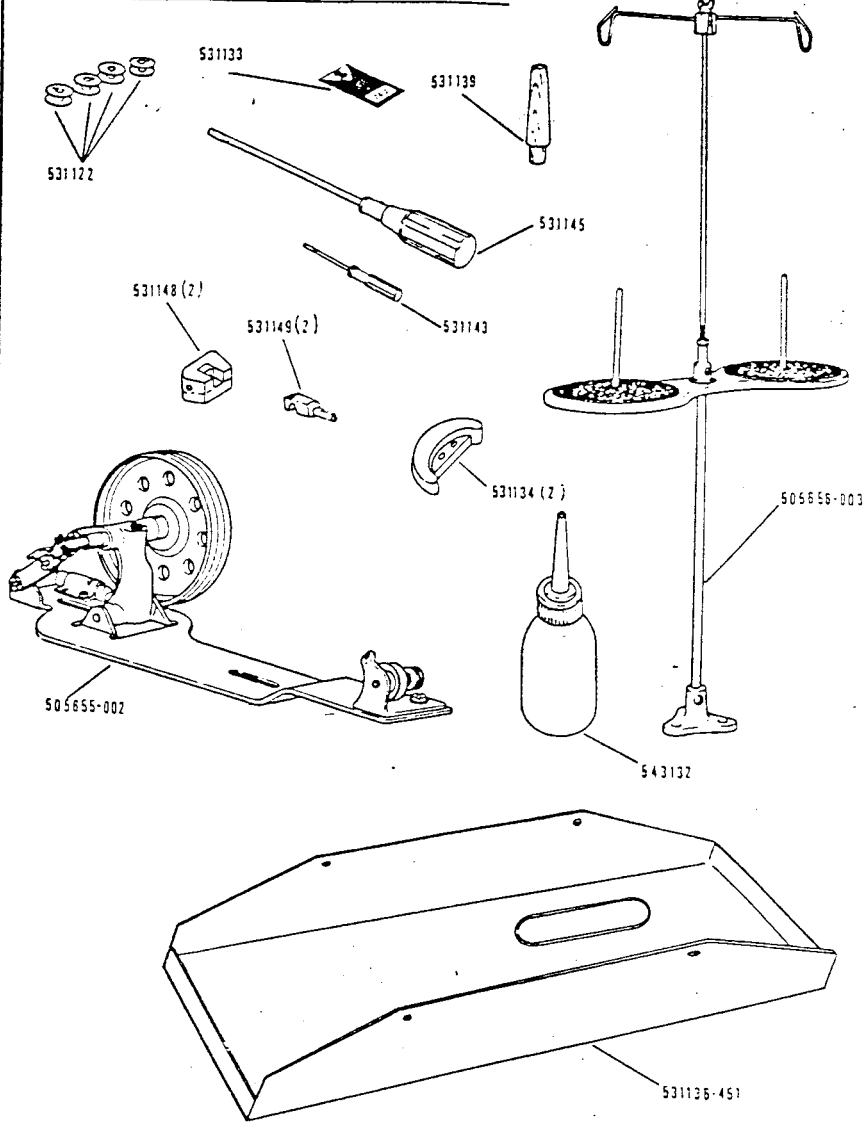
238 T300A



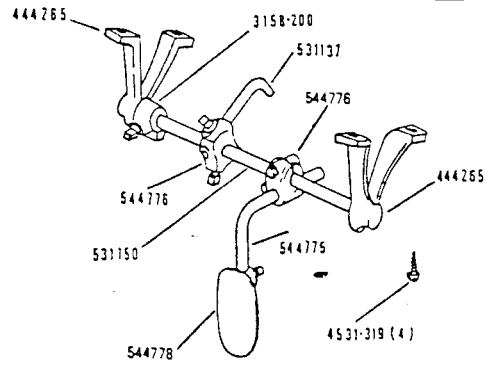




ACCESSORIES AND ATTACHMENTS



KNEE LIFTER ROCK SHAFT CPL.



ACCESSORIES AND ATTACHMENTS

<u>Part No.</u>	<u>Description</u>
505655-002	Universal Bobbin Winder Cpl.
505656-003	Thread Unwinder (for two spools) Cpl.
531122	Bobbin (4)
531133	Needle Cat. No. 6759-75 #11
531134	Machine Base Cushion (2)
531136-451	Drip Pan
531138	Machine Rest Pin (wood)
531143	Screw Driver (small)
531145	Screw Driver (long)
531148	Machine Hinge Connection Cushion (2)
531149	Machine Hinge Connection (2)
543132	Oil Spout

KNEE LIFTER ROCK SHAFT CPL.

<u>Part No.</u>	<u>Description</u>
3158-200	Rock Shaft Collar
4531-319	Wood Screw (4)
444265	Rock Shaft Knee Arm Hub (2)
531150	Rock Shaft
531137	Rock Shaft Hook
544775	Rock Shaft Knee Arm
544776	Rock Shaft Crank
544778	Rock Shaft Knee Arm Plate