

Form 2035w
March, 1929
PRINTED IN U. S. A.

**LIST
OF
PARTS**



MACHINE No. 71-52

THE SINGER MANUFACTURING COMPANY

COPYRIGHT, U. S. A.,
1915, 1916, 1917, 1925 and 1929,
BY THE SINGER MANUFACTURING COMPANY
ALL RIGHTS RESERVED FOR ALL COUNTRIES

INDEX

	PAGE
ACCESSORIES	23
BOBBIN WINDER	23
IRON BASE	24
KNIFE GRINDER	29
MACHINE No. 71-52	7
MISCELLANEOUS PARTS	26
NUMERICAL LIST OF PARTS	31
OBSOLETE PARTS	30
PARTS REQUIRED FOR MACHINES WHEN SET IN PAIRS ..	27
TABLE BELT GUIDES	25
THREAD UNWINDER	25
TREADLE	25

INSTRUCTIONS FOR ORDERING

In ordering from this list, use **ONLY** the part NUMBER in the **FIRST** column.

The number stamped on a Sewing Machine part is in every case the number of the single part only.

Every combination of parts sent out as such has its specific number, which, although not stamped on the parts, must be used when ordering the combination.

Each number always indicates the **SAME PART** in whatever list it appears, or for whatever machine.

The letters after some of the numbers indicate the style of finish only, as follows:

- A—Hardened, Polished, Nickel Plated and Buffed
- B—Polished, Nickel Plated and Buffed
- C—Hardened Only
- D—Polished Only
- E—Soft, Not Polished
- F—Hardened and Polished
- H—Blued
- J—Nickel Plated Only
- K—Hardened and Nickel Plated
- L—Brass Plated
- M—Oxidized
- P—Japanned
- R—Merlized
- T—Copper Plated
- T. A.—Hardened, Polished, Copper and Nickel Plated and Buffed
- T. B.—Copper and Nickel Plated and Polished
- T. J.—Copper and Nickel Plated Only
- T. K.—Hardened, Copper and Nickel Plated
- T. M.—Copper Plated and Oxidized
- T. L.—Copper and Brass Plated
- U—Zinc Plated
- V—Silver Plated
- W—Polished and Nickel Plated
- Z—Chromium Plated

These letters **MUST BE USED** when they appear in the list; and **AFTER** the number **as** in the list.

In this series:

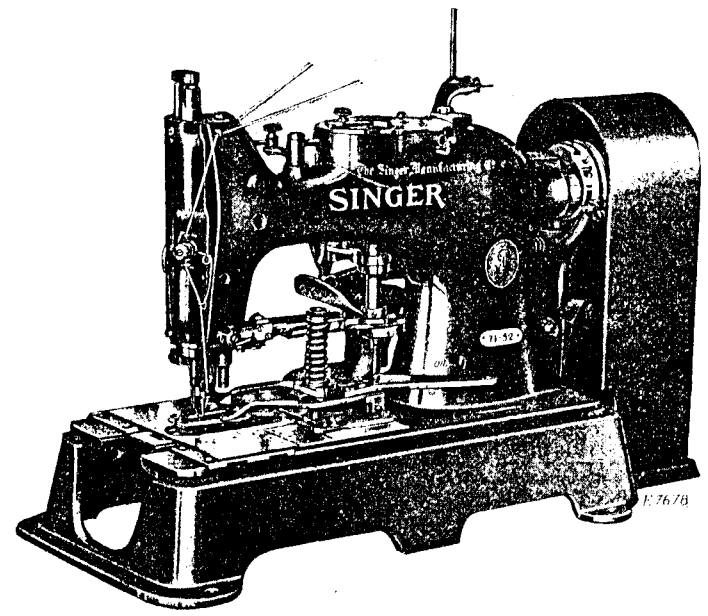
- 1 to 1500 and 50001 to 51500 are Screw Numbers.
- 1501 to 1800 and 51501 to 51800 are Nut Numbers.
- 1801 to 2000 and 51801 to 52000 are Roller Numbers.
- 2001 to 50000 and 52001 and upward are numbers of Machine Parts.

The figures in the second column refer only to the plates, illustrating the parts, and are **NOT TO BE USED** in ordering.

Parts marked with an asterisk (*) are furnished only when repairs are made at the factory.

LIST OF PARTS COMPLETE

FOR



MACHINE No. 71-52

Makes Whip Stitch, Top Corded Buttonholes, Square Bar at First End and Taper Bar at Finishing End. Knives from $\frac{3}{8}$ to $1\frac{1}{8}$ in. long. Cuts After Stitching

No.	Plate	Name
*39971	—	Arm with 24081
8582	4013	" Dowel Pin (2)
748E	4025	" Screw (back) (2)
868E	4025	" " (front) (2)
23352	4030	" Shaft
*24081	—	" " Bushing (front)
12357	4105	" " Flanged Bushing (back)
435C	4106	" " " " " Set Screw
4784	4013	Arm Shaft Oil Pad
350220	1068D	4025 " " Screw
12193	4105	" Side Cover

No.	Plate	Name
703D	4025	Arm Side Cover Thumb Screw
23353	4001	" Top Cover
808F	4025	" " " Screw (3)
39759	4105	Barring Cam with two 858c
858c	4025	" " Set Screw
39844	4106	" Indicator
1228c	4003	" " Stud
1589c	4003	" " " Thumb Nut
23563	4105	" Lever
23564	4106	" " Catch with 1226c
1276c	4106	" " " Hinge Screw
1226c	4106	" " " Position Stud
23565	4105	" " " Spring
805c	4014	" " " " Screw
8905	4106	" " " " " Washer
39616	4004	" " " Stud
39617	4004	" " " " Rivet (long)
39618	4004	" " " " " (short)
1227c	4106	" " Hinge Screw
1655E	4016	" " " " Nut
23566	4106	" " Spring
124F	4106	" " Stop Screw
1518E	4025	" " " " Nut
23361	4003	" Ratchet Pawl
1248c	4003	" " " Hinge Screw
23362	4003	" " " Spring
93H	4003	" " " " Screw
15072	4003	" " " " Stop Pin
23544	4003	" " Retaining Pawl (hinge screw end)
23545	4003	Barring Ratchet Retaining Pawl (wheel end)
203c	4003	Barring Ratchet Retaining Pawl Adjusting Screw
23546	—	Barring Ratchet Retaining Pawl (adjustable) complete, Nos. 203c, 23544 and 23545
999F	4003	Barring Ratchet Retaining Pawl Hinge Screw
23364	4003	Barring Ratchet Retaining Pawl Spring
240D	4003	Barring Ratchet Retaining Pawl Spring Screw
23664	4003	Barring Ratchet Wheel
23665	4003	" " " Spring
1286c	4003	" " " " Screw
23666	4003	" " " " Washer
23367	4003	" " " Tripping Point
193F	4003	" " " " " Screw

No.	Plate	Name
7071	4003	Barring Ratchet Wheel Tripping Point Screw Washer
23369	4001	Barring Stop Arm
23370	4003	" Tripping Lever
856c	4003	" " " Hinge Screw
*39972	—	Bed
39760	4107	" Oil Guard
1235E	4106	" " " Screw (2)
389E	4025	Bobbin Winder Base Plate Screw (2)
135D	4025	" " Tension Bracket Screw
39539	4039	Clamp Arm
625E	4106	" " Adjusting Screw
1547D	4106	" " " " Nut
39540	4039	" " Bracket with 196F
191c	4022	" " " Screw
39541	4106	" " " Washer
23379	4007	" " Hinge Block
23380	4007	" " " " Pin
196E	4007	" " " " " Set Screw
402D	4007	Clamp Arm Screw
39542	4039	" Carrier
40006	4004	" " Block with 40007 and four 404D
40007	4004	Clamp Carrier Block Plate
404D	4007	" " " " Screw
23384	4007	" " Connecting Rod
52c	4007	" " " " Hinge Screw
39591	4004	Clamp Carrier Guide (left)
756D	4004	" " " " Screw
23385	4007	" " " (right)
1230E	4007	" " " " Screw (3)
39604	4107	" " Plate
1231E	4007	" " " Screw (back) (2)
404D	4007	" " " " (front) (2)
39543	4039	" " Regulator with 233D and 1960
1232c	4007	Clamp Carrier Regulator Hinge Screw
1960	4007	Clamp Carrier Regulator Roller and Screw Stud with 1520E
1520E	4106	Clamp Carrier Regulator Roller and Screw Stud Nut
39762	4105	Clamp Carrier Regulator Slide
350076c	4103	" " " Stud (to regulate length of buttonhole)
1671c	4106	Clamp Carrier Regulator Stud Nut
39532	4106	" " " " Sleeve

No.	Plate	Name
233D	4007	Clamp Carrier Regulator Stud Stop Screw
39614	4107	Clamp Carrier Slide with 39591 and three 756D
23392	4008	Clamp Carrier Slide Guide (left)
914F	4008	" " " " " Screw (2)
23393	4008	Clamp Carrier Slide Guide (right)
914F	4008	" " " " " Screw (2)
23394	4105	Clamp Carrier Slide Lever with 1960
23395	4105	" " " " Regulator
23396	4008	" " " " " Cap
223D	4008	Clamp Carrier Slide Lever Regulator Cap Screw (4)
67D	4008	Clamp Carrier Slide Lever Regulator Screw
1960	4007	Clamp Carrier Slide Lever Roller and Screw Stud with 1520E
1520E	4106	Clamp Carrier Slide Lever Roller and Screw Stud Nut
7278	4008	Clamp Carrier Slide Lever Socket Joint
1234c	4008	Clamp Carrier Slide Regulating Stud
23397	4008	" " " " " Bushing
1658c	4008	Clamp Carrier Slide Regulating Stud Thumb Nut
1256D	4008	Clamp Carrier Slide Screw
39833	—	" Check
39824	—	" " Adjusting Plate
219F	4008	" " " " Screw (back)
50163F	4106	Clamp Check Adjusting Plate Screw (front)
109D	4008	Clamp Check Hinge Screw
39825	—	" " Holder
1297F	4106	" " " Screw
39973	4105	" Lifting Arm
625F	4106	" " " Adjusting Screw
1547D	4106	" " " " " Nut
89c	4106	Clamp Lifting Arm Screw
39550	4107	" Plate
1235F	4106	" " Screw (4)
23573	4105	" " Support
402D	4007	" " " Screw (2)
23574	4105	" Post

No.	Plate	Name
1659c	4106	Clamp Pressure Regulating Thumb Nut
39514	4020	Clamp Spring
23693	4106	" " Bushing
1294c	4106	" " " Position Stud
1550H	4106	" " " " " Nut
39974	—	Clamp complete, Nos. 792D, 1294c, 1550H, 1659c, 23379, 23380, 23574, 23693, 23695, 39514, 39539, 39540, 39550, 39765, 39766, 39824, 39825, 39833, 39973, 39975, 39977, 50163F, 50165D, two each 89c, 109D, 219F, 1297F, 50164D, three 402D, four each 191c, 625F, 1547D and 39541
39765	4106	Cord and Thread Clamping Spring
50164D	4106	" " " " " Screw
39766	4106	Cord and Thread Cutting Knife
50165D	4106	" " " " " Screw
18859	4106	" Guide
39899	4105	" Leading Bracket
39768	4106	" " " Dowel Pin
389F	4025	" " " Screw
39770	4106	" " " Eye (double)
236F	4106	" " " Screw
39852	4106	" " " Finger (lower)
350067D	4106	" " " " " Screw
39853	4106	" " " " " Washer
39854	4106	Cord Leader Finger (upper)
230F	4106	" " " " " Screw
39905	—	Cord Leading Finger complete, Nos. 39852 to 39854 and 350067D
39975	4109	Cord Leading Finger Trip
792D	4109	" " " " " Screw
39855	4089	" Rotating Gear
39773	4089	" " " " " Gib (back)
39772	4089	" " " " " (front)
1329D	4089	" " " " " Screw (4)
39780	4076	" " " " " Slide
39781	4076	" " " " " Block
39788	4076	" " " " " Connecting Spring
50166	4076	Cord Rotating Gear Slide Connecting Spring Screw Eye (back)
1241E	4015	Cord Rotating Gear Slide Connecting Spring Screw Eye (front)
39785	4076	Cord Rotating Gear Slide Extension
185H	4109	" " " " " Screw (2)

No.	Plate	Name
39782	4076	Cord Rotating Gear Slide Flange with two 453c
453c	4013	Cord Rotating Gear Slide Flange Set Screw
39783	4076	Cord Rotating Gear Slide Sleeve
39786	4076	" " " " " " Slide Rod
39787	4076	Cord Rotating Gear Slide Sleeve Slide Rod Connection
871c	4076	Cord Rotating Gear Slide Sleeve Slide Rod Connection Handle Screw
1200c	4076	Cord Rotating Gear Slide Sleeve Slide Rod Connection Hinge Screw
39784	4076	Cord Rotating Gear Slide Sleeve Spring
39856	4089	Cord Rotating Sector with 707L, 39832 and 201321c
39832	4076	Cord Rotating Sector Adjustable Catch Notch Gib
201321c	11658	Cord Rotating Sector Adjustable Catch Notch Gib Screw
7071	4003	Cord Rotating Sector Adjustable Catch Notch Gib Screw Washer ..
39775	4077	Cord Rotating Sector Catch
39776	4077	" " " " " " Connection
39777	4077	Cord Rotating Sector Catch Connection Collar with two 219F
219F	4008	Cord Rotating Sector Catch Connection Collar Set Screw
240D	4003	Cord Rotating Sector Catch Screw (2)
39778	4077	Cord Rotating Sector Catch Spring
219F	4008	" " " " " " " " Screw
440c	4109	Cord Rotating Sector Catch Stop Screw
1547D	4106	Cord Rotating Sector Catch Stop Screw Nut
201287E	11658	Cord Rotating Sector Hinge Screw (eccentric)
1520E	4106	Cord Rotating Sector Hinge Screw Nut
213949	11658	Cord Rotating Sector Hinge Screw Washer
39779	4077	Cord Rotating Tripping Cam with two 453c

No.	Plate	Name
453c	4013	Cord Rotating Tripping Cam Set Screw
39790	4077	Cord Take-up Spring
2455	4024	" Tension Disc (2)
50167	4077	" " Screw Stud
39789	4089	" " Spring
1562J	4024	" " Thumb Nut
24028	4108	Crank Connecting Rod with 24085 and two 896E
*24085	---	Crank Connecting Rod Cap
896E	4025	" " " " Screw ..
908c	4025	" " " Hinge Screw
1619E	4025	" " " " " " Nut
39791	4107	Face Plate
217F	4025	" " Screw (2)
23407	4001	Feed Connecting Rod (lower)
375c	4025	" " " " " Hinge Screw
1518E	4025	Feed Connecting Rod (lower) Hinge Screw Nut
23408	4001	Feed Connecting Rod (upper) with 12204, 202277 and two 966E
*12204	---	Feed Connecting Rod (upper) Cap
966E	4025	" " " " " " " " Screw
202277	---	Feed Connecting Rod (upper) Oil Packing (wick)
23409	4001	Feed Disengaging Lever
1275c	4003	" " " Hinge Screw
1521E	4003	" " " " " " Nut
23557	4001	Feed Disengaging Lever Spring
23412	4013	" Eccentric with 448c
448c	4015	" " Set Screw
39994	4108	" Hand Ratchet Lever
23414	4013	" " " " " Collar with two 453c
453c	4013	Feed Hand Ratchet Lever Collar Set Screw
39995	---	Feed Hand Ratchet Lever Pawl Body with 214D
39996	4108	Feed Hand Ratchet Lever Pawl complete, Nos. 207E, 39523, 39995 and 1049E
90D	4013	Feed Hand Ratchet Lever Pawl Hinge Screw
39523	4109	Feed Hand Ratchet Lever Pawl Point

No.	Plate	Name
1049E	4013	Feed Hand Ratchet Lever Pawl Point Position Screw
207E	4109	Feed Hand Ratchet Lever Pawl Point Screw
13218	4013	Feed Hand Ratchet Lever Pawl Spring
214D	4013	Feed Hand Ratchet Lever Pawl Spring Screw
1049E	4013	Feed Hand Ratchet Lever Pawl Stop Screw
39997	—	Feed Hand Ratchet Lever complete, Nos. 90D, 13218, 39994 and 39996 ..
23416	4013	Feed Hand Ratchet Wheel with 460c
3012	4013	" " " " Pin
460c	4013	" " " " Set Screw
23418	4108	" Rock Shaft
23419	—	Feed Rock Shaft complete, Nos. 23418 and 23420
23420	4108	Feed Rock Shaft Hinge Pin with 23421
23421	4013	Feed Rock Shaft Hinge Pin Plug (leather)
448c	4015	Feed Rock Shaft Hinge Pin Set Screw
23422	4013	Feed Rock Shaft Spring
39590	4004	" " " " Plate
181D	4013	" " " " Screw
39792	4107	" Wheel with 23432 and two 220b
150c	4109	" " Cap Screw
39553	4108	" " Driving Lever
39597	4110	" " " " Block with 602E and 39598 (2)
769c	4109	Feed Wheel Driving Lever Block Adjusting Screw
39594	4109	Feed Wheel Driving Lever Block Adjusting Screw Bracket with 769c, 898c and 39504 (2)
185H	4109	Feed Wheel Driving Lever Block Adjusting Screw Bracket Screw (4)
898c	4109	Feed Wheel Driving Lever Block Adjusting Screw Clamping Screw
39504	4089	Feed Wheel Driving Lever Block Adjusting Screw Clamping Screw Washer
39598	4109	Feed Wheel Driving Lever Block Lock Spring
602E	4109	Feed Wheel Driving Lever Block Lock Spring Screw

No.	Plate	Name
39554	4089	Feed Wheel Driving Lever Pitman with 23429, 50088c and two 196F
50088c	4089	Feed Wheel Driving Lever Pitman Ball Joint Screw
*23429	—	Feed Wheel Driving Lever Pitman Cap
196F	4007	Feed Wheel Driving Lever Pitman Cap Screw
23427	4010	Feed Wheel Driving Lever Plate
404D	4007	" " " " " Screw (2)
1236c	4109	Feed Wheel Driving Lever Regulating Stud
7070	4007	Feed Wheel Driving Lever Regulating Stud Sleeve
1658A	4008	Feed Wheel Driving Lever Regulating Stud Thumb Nut
1237c	4109	Feed Wheel Friction Ring Screw
1520E	4106	" " " " " Nut
14017	4109	Feed Wheel Friction Ring Screw Washer
23552	4010	Feed Wheel Friction Ring Section (long)
23553	4010	Feed Wheel Friction Ring Section (short)
23554	4109	Feed Wheel Friction Ring Spring ..
23555	4007	Feed Wheel Friction Ring complete, Nos. 23552 to 23554
2117	4109	Feed Wheel Pin
2254	4109	" " Retaining Clutch
39595	4109	" " " " Cap
898c	4109	" " " " " Screw
39504	4089	Feed Wheel Retaining Clutch Cap Screw Washer
2256	4109	Feed Wheel Retaining Clutch Spring
233D	4007	" " " " " Screw
721D	4109	Feed Wheel Retaining Clutch Spring Stop Screw
39596	4109	Feed Wheel Retaining Clutch Stud
39793	4107	" " Shaft
457c	4109	" " " Oil Hole Plug Screw
23433	4010	Feed Wheel Tripping Lever
1257c	4109	" " " " " Hinge Screw

No.	Plate	Name
23587	4109	Feed Wheel Tripping Lever Point
203c	4003	" " " " "
		Screw (2)
23435	4013	Feed Wheel Tripping Lever Spring
190b	4013	" " " " "
		Screw
179e	4004	Feed Wheel Tripping Lever Stop
		Screw
23432	4109	Feed Wheel Tripping Point
220b	4109	" " " " Screw..
39799	---	Knife, $\frac{3}{8}$ inch
39840	---	" $\frac{1}{8}$ inch
39800	---	" $\frac{1}{2}$ inch
39831	---	" $\frac{3}{16}$ inch
39801	---	" $\frac{5}{16}$ inch
39841	---	" $\frac{11}{16}$ inch
39829	4111	" $\frac{7}{8}$ inch
39842	---	" $\frac{11}{16}$ inch
39795	---	" $\frac{7}{8}$ inch
39839	---	" $\frac{11}{16}$ inch
39830	---	" 1 inch
39843	---	" $1\frac{1}{8}$ inch
23460	4010	" Bar
23461	4015	" " Connecting Link
1239d	4015	" " " " Hinge Cap
		Screw
1240c	4015	Knife Bar Connecting Link Hinge
		Screw
23462	4015	Knife Bar Connecting Stud with
		1319f
1319f	4015	Knife Bar Connecting Stud Clamp-
		ing Screw
23463	4015	Knife Bar Disengaging Lever
23464	4015	" " " " Catch
		with 1963
23465	4015	Knife Bar Disengaging Lever Catch
		Bracket
157b	4015	Knife Bar Disengaging Lever Catch
		Bracket Screw (2)
90c	4013	Knife Bar Disengaging Lever Catch
		Hinge Screw
1963	4015	Knife Bar Disengaging Lever Catch
		Roller and Stud
23468	4015	Knife Bar Disengaging Lever Catch
		Spring
1241f	4015	Knife Bar Disengaging Lever Catch
		Spring Screw Stud (2)
23466	4015	Knife Bar Disengaging Lever Catch
		Tripping Point

No.	Plate	Name
23467	4015	Knife Bar Disengaging Lever Catch
		Tripping Point Collar with two
		448c
448c	4015	Knife Bar Disengaging Lever Catch
		Tripping Point Collar Set Screw
175b	4015	Knife Bar Disengaging Lever Catch
		Tripping Point Screw
90c	4013	Knife Bar Disengaging Lever Hinge
		Screw
23606	4015	Knife Bar Disengaging Lever Spring
1242f	4015	" " " " "
		Screw (2)
240b	4003	Knife Bar Disengaging Lever Stop
		Screw
23469	4010	Knife Bar Driving Lever
1290c	4014	" " " " Hinge Screw
1428c	4014	" " " " Screw Stud
1520f	4106	" " " " " "
		Nut
23681	4014	Knife Bar Driving Lever Spring
805c	4014	" " " " " Screw
23470	4010	" " " " (intermedi-
		ate)
23471	4014	Knife Bar Driving Lever (intermedi-
		ate) Connecting Link
54c	4014	Knife Bar Driving Lever (intermedi-
		ate) Connecting Link Hinge
		Screw
1222c	4014	Knife Bar Driving Lever (intermedi-
		ate) Hinge Screw
1959	4014	Knife Bar Driving Lever (intermedi-
		ate) Roller and Screw Stud with
		229b and 12424
229b	4014	Knife Bar Driving Lever (intermedi-
		ate) Roller Cap Screw
12424	4014	Knife Bar Driving Lever (intermedi-
		ate) Roller Cap Screw Washer..
23682	4014	Knife Bar Spring
39566	4014	" " Stop
39565	---	Knife Bar Stop complete, Nos. 1673c,
		23548 and 39566
1673c	4014	Knife Bar Stop Lock Nut
23548	4014	" " " Plug (fibre)
39796	4077	" Holder
1243c	4014	" " Guide Stud
1608c	4014	" " " " Nut
157c	4015	" " Screw
1547c	4106	" " " Nut
1094f	4089	" Screw
23390	4014	" " Washer

No.	Plate	Name
39857	4089	Needle Bar with 904F
23476	4016	" " Connecting Link with 794E
794E	4016	Needle Bar Connecting Link Adjust- ing Screw
1021E	4016	Needle Bar Connecting Link Cap Screw
39601	4004	Needle Bar Connecting Stud with 1341c
1341c	4004	Needle Bar Connecting Stud Set Screw
23477	4010	Needle Bar Crank with 858c, 1036c, 1065c and 1258c
1065c	4025	Needle Bar Crank Position Screw ..
858c	4025	" " " Set Screw
39794	4108	" " Frame with 4784
23558	4001	" " " Bell Crank with 1956 and 15072
1956	4016	Needle Bar Frame Bell Crank Roller and Screw Stud with 229d, 1655E and 23389
1655E	4016	Needle Bar Frame Bell Crank Roller and Screw Stud Nut
229d	4014	Needle Bar Frame Bell Crank Roller Cap Screw
23389	4016	Needle Bar Frame Bell Crank Roller Cap Screw Washer
23667	4016	Needle Bar Frame Bell Crank Stud
39966	4103	" " " Cam and Bevel Gear
1244c	4016	" " " " " " " " Screw
39622	4108	Needle Bar Frame Connection with 1963 and 39616 to 39618
39926	----	Needle Bar Frame Connection 39622 with 78c and 1226E
78c	4004	Needle Bar Frame Connection Hinge Screw
1963	4015	Needle Bar Frame Connection Roller and Stud
23483	4004	Needle Bar Frame Connection Spring
23484	4004	" " " " " " Hook
1226c	4106	Needle Bar Frame Connection Spring Screw Stud
23485	4004	Needle Bar Frame Connection Stud
196F	4007	" " " " " Set Screw
39967	4103	Needle Bar Frame Driving Bevel Pinion with two 453c

No.	Plate	Name
453c	4013	Needle Bar Frame Driving Bevel Pinion Set Screw
23610	----	Needle Bar Frame Pitman (hinge screw end)
23609	----	Needle Bar Frame Pitman (regulator end)
190c	4013	Needle Bar Frame Pitman Adjusting Screw
7071	4003	Needle Bar Frame Pitman Adjusting Screw Washer
23611	4016	Needle Bar Frame Pitman (adjust- able) complete, Nos. 23609, 23610, two each 190c and 7071
1042c	4016	Needle Bar Frame Pitman Hinge Screw
1547d	4106	Needle Bar Frame Pitman Hinge Screw Nut
23491	4004	Needle Bar Frame Regulator
39900	----	" " " " 23491 with 1245c
1038c	4004	Needle Bar Frame Regulator Adjust- ing Screw
7070	4007	Needle Bar Frame Regulator Adjust- ing Screw Sleeve
1589c	4003	Needle Bar Frame Regulator Adjust- ing Screw Thumb Nut
1245c	4004	Needle Bar Frame Regulator Hinge Screw
673F	4016	Needle Bar Frame Screw Center ..
1517E	4016	" " " " " " Nut
904F	4004	" Set Screw
39653	4108	Oscillating Rock Shaft
39654	----	Oscillating Rock Shaft complete, Nos. 4784, 23494 and 39653
23494	4108	Oscillating Rock Shaft Hinge Pin with 23421
23421	4013	Oscillating Rock Shaft Hinge Pin Oil Hole Plug (leather)
878F	4013	Oscillating Rock Shaft Hinge Pin Oil Hole Stop Screw
12459	4013	Oscillating Rock Shaft Hinge Pin Oil Hole Stop Screw Washer (leather)
448c	4015	Oscillating Rock Shaft Hinge Pin Set Screw
4784	4013	Oscillating Rock Shaft Oil Pad
39655	4112	" Shaft
39656	4023	" " Bushing (back)
24047	4013	" " " (front)
39657	----	" " Crank

No.	Plate	Name
39692	4023	Oscillating Shaft Crank complete, Nos. 1636E, 15171, 39657 and two 1253C
1253C	4023	Oscillating Shaft Crank Set Screw
15170	4023	" " " Slide Block
226D	---	" " " " " " Cap Screw
12424	4014	Oscillating Shaft Crank Slide Block Cap Screw Washer
1035C	4110	Oscillating Shaft Crank Slide Block Screw Stud
1636E	4110	Oscillating Shaft Crank Slide Block Screw Stud Nut
15171	4023	Oscillating Shaft Crank Slide Block complete, Nos. 226D, 1035C, 12424 and 15170
23497	4112	Pulley (loose)
40024	4112	" (tight)
39927	---	" 40024 with 40025
23499	4112	" (tight) Counterbalance
28034	4020	" " " Rivet
40025	4004	" " Pin
23500	4110	Shuttle Bobbin
62739	4110	" " Case
15140	4110	" " " Latch
2973	4110	" " " " Lever
2974	4110	" " " " " Fulcrum Pin
15141	---	Shuttle Bobbin Case Hinge, Nos. 2973, 2974 and 15140
2975	4110	Shuttle Bobbin Case Latch Spring ..
592E	4110	" " " " " Stop Screw
15027	4110	Shuttle Bobbin Case Position Finger
2523	4110	" " " " " Rivet
15277	---	Shuttle Bobbin Case complete, Nos. 591F, 592E, 2523, 2975, 15027, 15141, 15278 and 62739
39577	4110	Shuttle Body
591F	4110	" Tension Regulating Screw ..
15278	4110	" " Spring
39578	---	" 1 1/2 in. diam., Nos. 15277, 23500 and 39577
23505	4110	Shuttle Driver with 462C
2269	4110	" " Pin
462C	4110	" " Set Screw
39969	4110	" Race Back
2532	4110	" " " Position Pin
2533	4110	" " " Spring

No.	Plate	Name
648D	4110	Shuttle Race Back Spring Screw ..
*39979	---	" " " Body
39980	4112	" " " 39979 with 7326, 39981, two each 391J and 662D ..
7326	4111	Shuttle Race Cap
662D	4110	" " " Screw
39982	---	Shuttle Race complete, Nos. 648D, 2533, 39969, 39980 and two 2532 ..
39981	4111	Shuttle Race Ring
391J	4111	" " " Screw
145F	4111	" " " Screw (2)
39627	4107	Starting Lever
717C	4020	" " " Adjusting Screw
1520E	4106	" " " " Nut ..
23556	4007	" " " Belt Shifter
159F	4020	" " " " " Screw ...
23510	4107	" " " Bracket
8582	4013	" " " Dowel Pin (2)
123E	4020	" " " Screw
23511	4112	" " " Rod
61C	4020	" " " Hinge Screw ...
564C	4020	" " " Screw Center (2) ...
1508E	4020	" " " " " Nut (2)
14174	4020	" " " Spring
124F	4106	" " " Stop Screw
1518E	4025	" " " " " Nut
39628	4112	Stop Cam with 39629 and 202330 ..
39580	4112	" " " Interlocking Rod
23514	4020	" " " " " Guide with 1070C and 1959
1070C	4020	Stop Cam Interlocking Rod Guide Set Screw
39988	4111	Stop Cam Interlocking Rod Guide Washer (rawhide)
21651	4021	Stop Cam Interlocking Rod Spring
913C	4021	" " " " " " " Regulating Thumb Screw
1638E	4021	Stop Cam Interlocking Rod Spring Regulating Thumb Screw Nut ..
202330	---	Stop Cam Oil Packing (wick)
39629	4111	" " " Pin
23515	4021	" " " Spring (long)
23516	4021	" " " " (short)
23517	4112	" " " " Cover with 23499, two each 9780 and 28034
9780	4021	Stop Cam Spring Cover Position Pin
997E	4021	" " " " " Screw (2) ..
39637	4021	" " " " Stop Block
1349C	4004	" " " " " Screw
39638	4021	" " " " " " Block ...

No.	Plate	Name
457c	4109	Stop Cam Spring Stop Screw Set Screw
23518	4010	Stop Lever
78D	4004	" " Hinge Screw
9540	4021	" " Spring
2102	4022	Tension Disc (2)
1560c	4022	" " Regulating Thumb Nut
23519	4022	" " Releaser with 200r
200r	4022	" " Set Screw
39797	4077	" " Shaft
39976	4111	" " " Arm
39977	4111	" " " " Connection
23695	4022	" " " " " " "
		Bracket
191c	4022	Tension Releaser Shaft Arm Connection Screw
39541	4106	Tension Releaser Shaft Arm Connection Screw Washer
39560	4111	Tension Releaser Shaft Arm Hub
2269	4110	" " " " " Pin
413F	4022	" " Screw Stud
2103	4022	" " Spring
23669	4022	" " Thread Guard
460c	4013	" " " " Set Screw
12400	4022	Thread Retainer Sleeve
12401	4022	" " Spring
12402	4022	" " Stud
460c	4013	" " " " Set Screw
12399	---	Thread Retainer complete, Nos. 12400 to 12402
23523	4023	Thread Take-up Crank
1036c	4023	" " " " Position Screw
1258c	4023	" " " " Set Screw
23524	4023	" " Lever
12166	4023	" " " " Hinge Pin
23543	4023	" " " " Link
11204	4023	" " " " " " Hinge Pin
435c	4106	" " " " " " " "
		Set Screw
23525	---	Thread Take-up Lever complete, Nos. 12166, 23524 and 23543
4784	4013	Thread Take-up Lever Oil Pad
7335	4022	" " Spring
23526	4022	" " " " Regulator
446c	4025	" " " " " " Set Screw

ACCESSORIES

No.	Plate	Name
39561	4111	Gauge, for $\frac{1}{2}$ to $1\frac{1}{2}$ in., for setting length of buttonhole
39801	---	Knife, $\frac{5}{8}$ inch
39795	---	" " $\frac{7}{8}$ inch
39829	4111	" " $\frac{3}{4}$ inch
23500	4110	Shuttle Bobbin (5)
255513	4112	Tweezers
71 x 1	---	Needles, three each, sizes 14 and 15
23527	4030	Drip Pan with two wood screws $\frac{1}{2}$ in., No. 5, R.H.B.
41401	4112	Machine Rest Pin (wood), $5\frac{1}{4}$ in. long
120346	4104	Oiler (copper plated) with 120347..
120347	4104	" Spout, 9 in. long
11831	4028	Screw Driver, 5 in. blade (machine, large)
*120088	---	Screw Driver Blade
*120090	---	" " Handle
26026	4028	" " (machine, small), Nos. 120088 and 120090
*120092	---	Screw Driver Blade
*120094	---	" " Handle
26485	4028	" " (shuttle tension), Nos. 120092 and 120094
10875	4028	Wrench, for 1518 and 1520
21654	4028	" " 1508 and 1638
23535	4028	" " 1671, for regulating length of buttonhole

BOBBIN WINDER

Swinging Automatic, Right Hand

27914	4029	Base with 27916 and two 28084
27915	4029	" Plate
389F	4025	" Screw
15072	4003	Bobbin Position Pin
27916	4024	Brake (leather)
28084	4024	" Rivet
27302	4029	Frame
50356D	4103	" Hinge Screw
1620J	4103	" " " Nut
27917	4024	" Spring
27918	4029	Pulley

No.	Plate	Name
27538	4029	Spindle with 15072
27919	4029	Stop Latch
35D	4025	" " Hinge Screw
27920	4029	Tension Bracket with 452c
41336	—	Tension Bracket complete, Nos. 5989, 10145 and 27920
27921	4029	Tension Bracket with Rod complete, Nos. 27922 and 41336
2455	4024	Tension Disc
1562J	4024	" Regulating Thumb Nut
418D	4024	" Screw Stud
10141	4024	" Spring
10145	4024	" Thread Guide
5989	—	Tension complete, Nos. 418D, 1562J, 10141 and two 2455
27922	4029	Thread Eyelet Rod
452c	4025	" " " Set Screw
27923	4029	Bobbin Winder, Nos. 35D, 1620J, 27302, 27538, 27914, 27917 to 27919 and 50356D
27924	—	Bobbin Winder (swinging, automa- tic, right hand) complete, Nos. 27915, 27921, 27923 and two 389F

IRON BASE

39910	4082	Bed Frame with two each 16555, 19398, four each 158E, 24106, six 14010 and four wood screws 1½ in., No. 12
23528	4108	Bed Frame Clamp Lifting Arm Stop
162D	4025	" " " " " " " Screw
24106	4024	Bed Frame Cushion (felt)
158E	4111	" " " " Screw
19226	4024	" " Hinge Connection
19398	—	" " " " 19226 with 211E and 19397
19397	4024	Bed Frame Hinge Connection Cap
211E	4024	" " " " " " Screw
16555	4024	Bed Frame Hinge Plate
14010	4024	" " " " Rivet
39911	4084	Splash Guard with 201655J
39912	4083	" " Hinge
200574E	11658	" " " " Screw
201655J	11658	" " Locking Screw Wing Nut

No.	Plate	Name
39913	—	Bed Frame and Splash Guard com- plete, Nos. 39910, 39911, two 39912 and eight 200574E

TABLE BELT GUIDES

23536	4047	Belt Guide with two 168E
168E	4025	" " " Set Screw
14229	4047	Bracket with 448c
23538	4047	Pulley
39708	4047	" Shaft with 858c
858c	4025	" " " Oil Hole Plug Screw ...
448c	4015	" " " Set Screw
39716	4047	Table Belt Guide (single, left) com- plete, Nos. 14229, 23536, 23538, 39708 and four wood screws 1½ in., No. 12, R.H.B.
39709	4047	Table Belt Guide (single, right) com- plete, Nos. 14229, 23536, 23538, 39708 and four wood screws 1½ in., No. 12, R.H.B.

THREAD UNWINDER

225389	14083	Spool Rest (for one spool) with 201018c
225395	14083	Spool Rest (for two spools) with 201018c
225388	14083	Spool Rest Rod
200383c	4103	" " " " Set Screw
201018c	4103	" " " " Set Screw
202490	14083	" Stand with 200383c
225391	14083	Thread Guide
201696J	4103	" " " Lock Nut
225392	14083	" " " Rod with 208E and 225393
208E	4076	Thread Guide Rod Screw
225393	4103	" " " Washer
225397	14083	Thread Unwinder (for three spools) complete, Nos. 201696J, 202490, 225388, 225389, 225392, 225395, three each 225391 and wood screws ¾ in., No. 12

TREADLE

14209	—	Treadle
39569	—	" Chain, 45 in. long, with 39575 and 39576

No.	Plate	Name
39570	4047	Treadle Chain Guide Bracket
39571	4047	" " " Pulley
1064D	4025	" " " " Screw ..
39575	4024	" " Hook (lower)
39576	4024	" " " (upper)
39572	4047	Treadle Chain Guide complete, Nos. 39570, two each 1064D, 39571 and wood screws 1½ in., No. 12, R.H.B.
23551	4024	Treadle Chain Screw Eye
7585	4010	" Shaft
14357	—	" Stand
14358	—	Treadle complete, Nos. 7585, 14209, 14357 and four wood screws 1½ in., No. 12

MISCELLANEOUS PARTS

Used in Conjunction with Thread Unwinder

60913	14083	Spool Weight with 60914
60914	4103	" " Center Pin
225377	14083	" Wire, for small spools

PARTS REQUIRED FOR MACHINES WHEN SET IN PAIRS

No.	Plate	Name
39808	4080	Clamp Check Lifting Chain Guide Pulley
39570	4047	Clamp Check Lifting Chain Guide Pulley Bracket
39809	—	Clamp Check Lifting Chain Guide Pulley Bracket complete, Nos. 39570, two each 1064D, 39808 and wood screws 1½ in., No. 12, R.H.B.
1064D	4025	Clamp Check Lifting Chain Guide Pulley Screw
39810	4080	Rock Shaft
7539	4080	" " Hanger (back) with two wood screws 1 in., No. 10
20093	4080	Rock Shaft Hanger (front) with two wood screws 1 in., No. 10
6335	4080	Rock Shaft Knee Arm
6336	4080	" " " " 6335 with 2766 and 2767
2766	4080	Rock Shaft Knee Arm Hub with 356c
356c	4080	" " " " " Set Screw
2767	4080	" " " " Plate with 356c ...
356c	4080	" " " " " Set Screw ...
39813	4080	" " Starting Hook (left hand) with 39576
39811	4080	Rock Shaft Starting Hook (right hand) with 39576
6337	4080	Rock Shaft Starting Hook Bracket with two 356c
356c	4080	Rock Shaft Starting Hook Bracket Set Screw
39815	4080	Rock Shaft Starting Hook Chain, 14½ in. long (left), with 39575
39816	4080	Rock Shaft Starting Hook Chain, 5½ in. long (right), with 39575
39571	4047	Rock Shaft Starting Hook Chain Guide Pulley
39570	4047	Rock Shaft Starting Hook Chain Guide Pulley Bracket
39572	4047	Rock Shaft Starting Hook Chain Guide Pulley Bracket complete, Nos. 39570, two each 1064D, 39571 and wood screws 1½ in., No. 12, R.H.B.

No.	Plate	Name
1064D	4025	Rock Shaft Starting Hook Chain Guide Pulley Screw
2770	4080	Rock Shaft Stop Dog with 356c ...
356c	4080	" " " " Set Screw ..
39814	—	Rock Shaft complete (left hand), Nos. 2770, 6336, 6337, 7539, 20093, 39810 and 39813
39812	—	Rock Shaft complete (right hand), Nos. 2770, 6336, 6337, 7539, 20093, 39810 and 39811
39817	—	Rock Shaft and Treadle Chain Guide Combination complete, for left hand machines when set in pairs, Nos. 39572, 39814 and 39815
39818	—	Rock Shaft and Treadle Chain Guide Combination complete, for right hand machines when set in pairs, Nos. 39809, 39812 and 39816

KNIFE GRINDER

No.	Plate	Name
39886	—	Emery Wheel, 4 in. diameter
39887	4083	" " Driving Shaft
201510D	11658	" " " " Nut
204101	11658	" " " " " Washer
39888	4083	Emery Wheel Driving Shaft Oil Hole Cover
350068E	4111	Emery Wheel Driving Shaft Oil Hole Cover Screw
206963	11658	Emery Wheel Driving Shaft Pulley with two 200403c
200403c	11658	Emery Wheel Driving Shaft Pulley Set Screw
206969	—	Emery Wheel Washer (paper)
39889	4082	Knife Grinder Frame
39890	4086	" Holder (adjustable)
57c	4083	" " Hinge Screw
39891	4083	" " Indicator
203094	11658	" " " Position Pin ...
200165D	11658	" " " Screw
39892	4086	" " Slide Bracket with 200386c
201298c	11658	Knife Holder Slide Bracket Adjusting Screw
39893	4086	Knife Holder Slide Bracket Adjusting Screw Slide Plate
200577D	11658	Knife Holder Slide Bracket Adjusting Screw Slide Plate Screw ...
10249	4083	Knife Holder Slide Bracket Adjusting Screw Tension Spring
219F	4008	Knife Holder Slide Bracket Adjusting Screw Tension Spring Screw
200386c	11658	Knife Holder Slide Bracket Set Screw
39894	4086	Knife Holder Slide Bracket Shaft
206232	11658	" " " " " Collar with 201052c
201052c	11658	Knife Holder Slide Bracket Shaft Collar Set Screw
771D	4083	Knife Holder Thumb Screw
9525	4083	" " " " Washer..
39895	4083	" Holding Spring
39896	4083	" " " Bracket
204264	11658	" " " " Position Pin

No.	Plate	Name
176D	4083	Knife Holding Spring Bracket Screw
204264	11658	" " " Position Pin ..
793D	4083	" " " Thumb Screw..
39897	4083	" Stop (adjustable)
208D	4076	" " Screw
39898	—	Knife Grinder complete, Nos. 57c, 176D, 208D, 219E, 771D, 793D, 9525, 10249, 39886 to 39897, 200165U, 201298c, 201510D, 203094, 204101, 206963, 350068E, two each 200577U, 204264, 206232, 206969 and three wood screws 1 1/4 in., No. 12

OBSOLETE PARTS

23413	—	Feed Hand Ratchet Lever with 214D and 1049E
23567	—	Feed Hand Ratchet Lever Pawl Body with 214D
39522	—	Feed Hand Ratchet Lever Pawl com- plete, Nos. 207E, 39523, 39567 and two 1049E

NUMERICAL LIST OF PARTS

FOR

MACHINE No. 71-52

NUMERICAL LIST OF PARTS

No.	Plate	Name
35d	4025	Bobbin Winder Stop Latch Hinge Screw, for 27923
52c	4007	Clamp Carrier Connecting Rod Hinge Screw
54c	4014	Knife Bar Driving Lever (intermediate) Connecting Link Hinge Screw
57c	4083	Knife Grinder Knife Holder Hinge Screw, for 39898
61c	4020	Starting Lever Rod Hinge Screw ..
67d	4008	Clamp Carrier Slide Lever Regulator Screw
78c	4004	Needle Bar Frame Connection Hinge Screw, for 39926
78d	4004	Stop Lever Hinge Screw
89c	4106	Clamp Lifting Arm Screw, for 39974
90d	4013	Feed Hand Ratchet Lever Pawl Hinge Screw, for 39997
90c	4013	Knife Bar Disengaging Lever Catch Hinge Screw
90c	4013	Knife Bar Disengaging Lever Hinge Screw
93H	4003	Barring Ratchet Pawl Spring Screw
109d	4008	Clamp Check Hinge Screw, for 39974
123E	4020	Starting Lever Bracket Screw
124F	4106	Barring Lever Stop Screw
124F	4106	Starting Lever Stop Screw
135d	4025	Bobbin Winder Tension Bracket Screw
145F	4111	Shuttle Race Screw
150c	4109	Feed Wheel Cap Screw
157d	4015	Knife Bar Disengaging Lever Catch Bracket Screw
157c	4015	Knife Holder Screw
158E	4111	Bed Frame Cushion Screw, for 39910
159F	4020	Starting Lever Belt Shifter ..
162d	4025	Bed Frame Clamp Lifting Arm Stop Screw
168E	4025	Table Belt Guide Set Screw, for 23536
175d	4015	Knife Bar Disengaging Lever Catch Tripping Point Screw

NUMERICAL LIST OF PARTS

FOR

MACHINE NO. 11-25

No.	Plate	Name
176D	4083	Knife Grinder Knife Holding Spring Bracket Screw, for 39898
179E	4004	Feed Wheel Tripping Lever Stop Screw
181D	4013	Feed Rock Shaft Spring Screw
185H	4109	Cord Rotating Gear Slide Extension Screw
185H	4109	Feed Wheel Driving Lever Block Adjusting Screw Bracket Screw..
190D	4013	Feed Wheel Tripping Lever Spring Screw
190C	4013	Needle Bar Frame Pitman Adjusting Screw, for 23611
191C	4022	Clamp Arm Bracket Screw, for 39974
191C	4022	Tension Releaser Shaft Arm Connection Screw
193F	4003	Barring Ratchet Wheel Tripping Point Screw
196F	4007	Clamp Arm Hinge Block Pin Set Screw, for 39540
196F	4007	Feed Wheel Driving Lever Pitman Cap Screw, for 39554
196F	4007	Needle Bar Frame Connection Stud Set Screw
200F	4022	Tension Releaser Set Screw, for 23519
203C	4003	Barring Ratchet Retaining Pawl Adjusting Screw, for 23546
203C	4003	Feed Wheel Tripping Lever Point Screw
207E	4109	Feed Hand Ratchet Lever Pawl Point Screw, for 39522 and 39996
208D	4076	Knife Grinder Knife Stop Screw, for 39898
208E	4076	Thread Unwinder Thread Guide Rod Screw, for 225392
211E	4024	Bed Frame Hinge Connection Cap Screw, for 19398
214D	4013	Feed Hand Ratchet Lever Pawl Spring Screw, for 23413 and 39567
217F	4025	Face Plate Screw
219F	4008	Clamp Check Adjusting Plate Screw (back), for 39974
219F	4008	Cord Rotating Sector Catch Connection Collar Set Screw, for 39777..
219F	4008	Cord Rotating Sector Catch Spring Screw, for 39777
219F	4008	Knife Grinder Knife Holder Slide Bracket Adjusting Screw Tension Spring Screw, for 39898

No.	Plate	Name
220D	4109	Feed Wheel Tripping Point Screw, for 39792
223D	4008	Clamp Carrier Slide Lever Regulator Cap Screw
226D	—	Oscillating Shaft Crank Slide Block Cap Screw, for 15171
229D	4014	Knife Bar Driving Lever (intermediate) Roller Cap Screw, for 1959..
229D	4014	Needle Bar Frame Bell Crank Roller Cap Screw, for 1956
230F	4106	Cord Leading Finger (upper) Screw
233D	4007	Clamp Carrier Regulator Stud Stop Screw, for 39543
233D	4007	Feed Wheel Retaining Clutch Spring Screw
236F	4106	Cord Leading Eye Screw
240D	4003	Barring Ratchet Retaining Pawl Spring Screw
240D	4003	Cord Rotating Sector Catch Screw..
240D	4003	Knife Bar Disengaging Lever Stop Screw
356C	4080	Rock Shaft Knee Arm Hub Set Screw, for 2766
356C	4080	Rock Shaft Knee Plate Set Screw, for 2767
356C	4080	Rock Shaft Starting Hook Bracket Set Screw, for 6337
356C	4080	Rock Shaft Stop Dog Set Screw, for 2770
375C	4025	Feed Connecting Rod (lower) Hinge Screw
389F	4025	Bobbin Winder Base Plate Screw ..
389F	4025	" " " Screw, for 27924
389F	4025	Cord Leading Bracket Screw
391A	4111	Shuttle Race Ring Screw, for 39980
402D	4007	Clamp Arm Screw
402D	4007	" Plate Support Screw, for 39974
404D	4007	" Carrier Block Plate Screw, for 40006
404D	4007	Clamp Carrier Plate Screw (front)..
404D	4007	Feed Wheel Driving Lever Plate Screw
413F	4022	Tension Screw Stud
418D	4024	Bobbin Winder Tension Screw Stud, for 5989
435C	4106	Arm Shaft Flanged Bushing (back) Set Screw
435C	4106	Thread Take-up Lever Link Hinge Pin Set Screw

No.	Plate	Name
440c	4109	Cord Rotating Sector Catch Stop Screw
446c	4025	Thread Take-up Spring Regulator Set Screw
448c	4015	Feed Eccentric Set Screw, for 23412
448c	4015	" Rock Shaft Hinge Pin Set Screw
448c	4015	Knife Bar Disengaging Lever Catch Tripping Point Collar Set Screw, for 23467
448c	4015	Oscillating Rock Shaft Hinge Pin Set Screw
448c	4015	Table Belt Guide Pulley Shaft Set Screw, for 14229
452c	4025	Bobbin Winder Thread Eyelet Rod Set Screw, for 27920
453c	4013	Cord Rotating Gear Slide Flange Set Screw, for 39782
453c	4013	Cord Rotating Tripping Cam Set Screw, for 39779
453c	4013	Feed Hand Ratchet Lever Collar Set Screw, for 23414
453c	4013	Needle Bar Frame Driving Bevel Pinion Set Screw, for 39967
457c	4109	Feed Wheel Shaft Oil Hole Plug Screw
457c	4109	Stop Cam Spring Stop Screw Set Screw
460c	4013	Feed Hand Ratchet Wheel Set Screw, for 23416
460c	4013	Tension Thread Guard Set Screw ..
460c	4013	Thread Retainer Stud Set Screw ..
462c	4110	Shuttle Driver Set Screw, for 23505
564c	4020	Starting Lever Screw Center
591F	4110	Shuttle Tension Regulating Screw, for 15277
592E	4110	Shuttle Bobbin Case Latch Stop Screw, for 15277
602E	4109	Feed Wheel Driving Lever Block Lock Spring Screw, for 39597 ..
625F	4106	Clamp Arm Adjusting Screw
625F	4106	" Lifting Arm Adjusting Screw, for 39974
648D	4110	Shuttle Race Back Spring Screw, for 39982
662D	4110	Shuttle Race Cap Screw, for 39980
673F	4016	Needle Bar Frame Screw Center ..
703D	4025	Arm Side Cover Thumb Screw
717c	4020	Starting Lever Adjusting Screw ..

No.	Plate	Name
721D	4109	Feed Wheel Retaining Clutch Spring Stop Screw
748E	4025	Arm Screw (back)
756D	4004	Clamp Carrier Guide (left) Screw, for 39614
769c	4109	Feed Wheel Driving Lever Block Adjusting Screw, for 39594
771D	4083	Knife Grinder Knife Holder Thumb Screw, for 39898
792D	4109	Cord Leading Finger Trip Screw, for 39974
793D	4083	Knife Grinder Knife Holding Spring Thumb Screw, for 39898
794E	4016	Needle Bar Connecting Link Adjusting Screw, for 23476
805c	4014	Barring Lever Catch Spring Screw..
805c	4014	Knife Bar Driving Lever Spring Screw
808F	4025	Arm Top Cover Screw
856c	4003	Barring Tripping Lever Hinge Screw
858c	4025	" Cam Set Screw, for 39759
858c	4025	Needle Bar Crank Set Screw, for 23477
858c	4025	Table Belt Guide Pulley Shaft Oil Hole Plug Screw, for 39708
868E	4025	Arm Screw (front)
871c	4076	Cord Rotating Gear Slide Sleeve Slide Rod Connection Handle Screw
878F	4013	Oscillating Rock Shaft Hinge Pin Oil Hole Stop Screw
896E	4025	Crank Connecting Rod Cap Screw, for 24028
898c	4109	Feed Wheel Driving Lever Block Adjusting Screw Clamping Screw, for 39594
898c	4109	Feed Wheel Retaining Clutch Cap Screw
904F	4004	Needle Set Screw, for 39857
908c	4025	Crank Connecting Rod Hinge Screw
913c	4021	Stop Cam Interlocking Rod Spring Regulating Thumb Screw
914F	4008	Clamp Carrier Slide Guide (left) Screw
914F	4008	Clamp Carrier Slide Guide (right) Screw
966E	4025	Feed Connecting Rod (upper) Cap Screw, for 23408
997E	4021	Stop Cam Spring Cover Screw

No.	Plate	Name
999F	4003	Barring Ratchet Retaining Pawl Hinge Screw
1021E	4016	Needle Bar Connecting Link Cap Screw
1035c	4110	Oscillating Shaft Crank Slide Block Screw Stud, for 15171
1036c	4023	Thread Take-up Crank Position Screw, for 23477
1038c	4004	Needle Bar Frame Regulator Adjusting Screw
1042c	4016	Needle Bar Frame Pitman Hinge Screw
1049E	4013	Feed Hand Ratchet Lever Pawl Point Position Screw, for 39522 and 39996
1049E	4013	Feed Hand Ratchet Lever Pawl Stop Screw, for 23413
1064D	4025	Clamp Check Lifting Chain Guide Pulley Screw, for 39809
1064D	4025	Rock Shaft Starting Hook Chain Guide Pulley Screw, for 39572 ..
1064D	4025	Treadle Chain Guide Pulley Screw, for 39572
1065c	4025	Needle Bar Crank Position Screw, for 23477
3502201069D	4025	Arm Shaft Screw
1070c	4020	Stop Cam Interlocking Rod Guide Set Screw, for 23514
1094F	4089	Knife Screw
1200c	4076	Cord Rotating Gear Slide Sleeve Slide Rod Connection Hinge Screw
1222c	4014	Knife Bar Driving Lever (intermediate) Hinge Screw
1226c	4196	Barring Lever Catch Position Stud, for 23564
1226c	4106	Needle Bar Frame Connection Spring Screw Stud, for 39926
1227c	4106	Barring Lever Hinge Screw
1228c	4003	" Indicator Stud
1230F	4007	Clamp Carrier Guide (right) Screw
1231F	4007	" " Plate Screw (back) ..
1232c	4007	" " Regulator Hinge Screw
1234c	4008	" " Slide Regulating Stud
1235F	4106	Bed Oil Guard Screw
1235F	4196	Clamp Plate Screw
1236c	4199	Feed Wheel Driving Lever Regulating Stud
1237c	4109	Feed Wheel Friction Ring Screw ..

No.	Plate	Name
1239D	4015	Knife Bar Connecting Link Hinge Cap Screw
1240c	4015	Knife Bar Connecting Link Hinge Screw
1241E	4015	Cord Rotating Gear Slide Connecting Spring Screw Eye (front)
1241E	4015	Knife Bar Disengaging Lever Catch Spring Screw Stud
1242E	4015	Knife Bar Disengaging Lever Spring Screw
1243c	4014	Knife Holder Guide Stud
1244c	4016	Needle Bar Frame Cam and Bevel Gear Screw
1245c	4004	Needle Bar Frame Regulator Hinge Screw, for 39900
1248c	4003	Barring Ratchet Pawl Hinge Screw
1253c	4023	Oscillating Shaft Crank Set Screw, for 39692
1256D	4008	Clamp Carrier Slide Screw
1257c	4199	Feed Wheel Tripping Lever Hinge Screw
1258c	4023	Thread Take-up Crank Set Screw, for 23477
1275c	4003	Feed Disengaging Lever Hinge Screw
1276c	4106	Barring Lever Catch Hinge Screw..
1286c	4003	" Ratchet Wheel Spring Screw
1290c	4014	Knife Bar Driving Lever Hinge Screw
1294c	4106	Clamp Spring Bushing Position Stud, for 39974
1297F	4106	Clamp Check Holder Screw, for 39974
1319F	4015	Knife Bar Connecting Stud Clamping Screw, for 23462
1329D	4089	Cord Rotating Gear Gib Screw
1341c	4004	Needle Bar Connecting Stud Set Screw, for 39601
1349c	4004	Stop Cam Spring Stop Screw
1428c	4014	Knife Bar Driving Lever Screw Stud
1508E	4020	Starting Lever Screw Center Nut..
1517E	4016	Needle Bar Frame Screw Center Nut
1518E	4025	Barring Lever Stop Screw Nut
1518E	4025	Feed Connecting Rod (lower) Hinge Screw Nut
1518E	4025	Starting Lever Stop Screw Nut
1520E	4196	Clamp Carrier Regulator Roller and Screw Stud Nut, for 1960
1520E	4196	Clamp Carrier Slide Lever Roller and Screw Stud Nut, for 1960 ..

Numerical List of Parts

No.	Plate	Name
1520E	4105	Cord Rotating Sector Hinge Screw Nut
1520E	4106	Feed Wheel Friction Ring Screw Nut
1520E	4106	Knife Bar Driving Lever Screw Stud Nut
1520E	4106	Starting Lever Adjusting Screw Nut
1521E	4003	Cord Rotating Gear Slide Sleeve Slide Rod Nut
1521E	4003	Feed Disengaging Lever Hinge Screw Nut
1547D	4106	Clamp Arm Adjusting Screw Nut ..
1547D	4106	" Lifting Arm Adjusting Screw Nut, for 39974
1547D	4105	Cord Rotating Sector Catch Stop Screw Nut
1547C	4106	Knife Holder Screw Nut
1547D	4106	Needle Bar Frame Pitman Hinge Screw Nut
1550H	4106	Clamp Spring Bushing Position Stud Nut, for 39974
1560C	4022	Tension Regulating Thumb Nut ...
1562J	4024	Bobbin Winder Tension Regulating Thumb Nut, for 5989
1562J	4024	Cord Tension Thumb Nut
1589C	4003	Barring Indicator Stud Thumb Nut..
1589C	4003	Needle Bar Frame Regulator Adjusting Screw Thumb Nut
1608C	4014	Knife Holder Guide Stud Nut
1619E	4025	Crank Connecting Rod Hinge Screw Nut
1620J	4103	Bobbin Winder Frame Hinge Screw Nut, for 27923
1636E	4110	Oscillating Shaft Crank Slide Block Screw Stud Nut, for 39692
1638E	4021	Stop Cam Interlocking Rod Spring Regulating Thumb Screw Nut ..
1655E	4015	Barring Lever Hinge Screw Nut ...
1655E	4016	Needle Bar Frame Bell Crank Roller and Screw Stud Nut, for 1956 ..
1658C	4008	Clamp Carrier Slide Regulating Stud Thumb Nut
1658A	4008	Feed Wheel Driving Lever Regulating Stud Thumb Nut
1659C	4106	Clamp Pressure Regulating Thumb Nut, for 39974
1671C	4106	Clamp Carrier Regulator Stud Nut
1673C	4014	Knife Bar Stop Lock Nut, for 39565
1956	4016	Needle Bar Frame Bell Crank Roller and Screw Stud with 229D, 1655E and 23389, for 23558

Numerical List of Parts

No.	Plate	Name
1959	4014	Knife Bar Driving Lever (intermediate) Roller and Screw Stud with 229D and 12424, for 23514
1960	4007	Clamp Carrier Regulator Roller and Screw Stud with 1520E, for 39543
1960	4007	Clamp Carrier Slide Lever Roller and Screw Stud with 1520E, for 23394
1963	4015	Knife Bar Disengaging Lever Roller and Stud, for 23464
1963	4015	Needle Bar Frame Connection Roller and Stud, for 39622
2102	4022	Tension Disc
2103	4022	" Spring
2117	4109	Feed Wheel Pin
2254	4109	" " Retaining Clutch
2256	4109	" " " " Spring
2269	4110	Shuttle Driver Pin
2269	4110	Tension Releaser Shaft Arm Hub Pin
2455	4024	Bobbin Winder Tension Disc, for 5989
2455	4024	Cord Tension Disc
2523	4110	Shuttle Bobbin Case Position Finger Rivet, for 15277
2532	4110	Shuttle Race Back Position Pin, for 39982
2533	4110	Shuttle Race Back Spring, for 39982
2766	4080	Rock Shaft Knee Arm Hub with 356C, for 6336
2767	4080	Rock Shaft Knee Plate with 356C, for 6336
2770	4080	Rock Shaft Stop Dog with 356C, for 39812 and 39814
2973	4110	Shuttle Bobbin Case Latch Lever, for 15141
2974	4110	Shuttle Bobbin Case Latch Lever Fulcrum Pin, for 15141
2975	4110	Shuttle Bobbin Case Latch Spring, for 15277
3012	4013	Feed Hand Ratchet Wheel Pin
4784	4013	Arm Shaft Oil Pad
4784	4013	Oscillating Rock Shaft Oil Pad, for 39654
4784	4013	Thread Take-up Lever Oil Pad, for 39794
5989	---	Bobbin Winder Tension complete. Nos. 418D, 1562J, 10141 and two 2455, for 41336

Numerical List of Parts

No.	Plate	Name
6335	4080	Rock Shaft Knee Arm, for 6336 ...
6336	4080	" " " " 6335 with 2766 and 2767, for 39812 and 39814 ..
6337	4080	Rock Shaft Starting Hook Bracket with two 356c, for 39812 and 39814
7070	4007	Feed Wheel Driving Lever Regulat- ing Stud Sleeve
7070	4007	Needle Bar Frame Regulator Adjust- ing Screw Sleeve
7071	4003	Barring Ratchet Wheel Tripping Point Screw Washer
7071	4003	Cord Rotating Sector Adjustable Catch Notch Gib Screw Washer, for 39856
7071	4003	Needle Bar Frame Pitman Adjusting Screw Washer, for 23611
7278	4008	Clamp Carrier Slide Lever Socket Joint
7326	4111	Shuttle Race Cap, for 39980
7335	4022	Thread Take-up Spring
7539	4080	Rock Shaft Hanger (back) with two wood screws 1 in., No. 10, for 39812 and 39814
7585	4010	Treadle Shaft, for 14358
8582	4013	Arm Dowel Pin
8582	4013	Starting Lever Bracket Dowel Pin..
8905	4106	Barring Lever Catch Spring Screw Washer
9525	4083	Knife Grinder Knife Holder Thumb Screw Washer, for 39898
9540	4021	Stop Lever Spring
9780	4021	" Cam Spring Cover Position Pin, for 23517
10141	4024	Bobbin Winder Tension Spring, for 5989
10145	4024	Bobbin Winder Tension Thread Guide, for 41336
10249	4083	Knife Grinder Knife Holder Slide Bracket Adjusting Screw Tension Spring, for 39898
10875	4028	Wrench, for 1518 and 1520
11204	4023	Thread Take-up Lever Link Hinge Pin
11831	4028	Screw Driver, 5 in. blade (machine, large)
12166	4023	Thread Take-up Lever Hinge Pin, for 23525
12193	4105	Arm Side Cover
*12204	---	Feed Connecting Rod (upper) Cap, for 23408

Numerical List of Parts

No.	Plate	Name
12357	4105	Arm Shaft Flanged Bushing (back)
12399	---	Thread Retainer complete, Nos. 12400 to 12402
Nos. 12400 to 12402, for 12399		
12400	4022	Thread Retainer Sleeve
12401	4022	" " Spring
12402	4022	" " Stud
12424	4014	Knife Bar Driving Lever (intermedi- ate) Roller Cap Screw Washer, for 1959
12424	4014	Oscillating Shaft Crank Slide Block Cap Screw Washer, for 15171 ..
12459	4013	Oscillating Rock Shaft Hinge Pin Oil Hole Stop Screw Washer (leather)
13218	4013	Feed Hand Ratchet Lever Pawl Spring, for 39997
14010	4024	Bed Frame Hinge Plate Rivet, for 39910
14017	4109	Feed Wheel Friction Ring Screw Washer
14174	4020	Starting Lever Spring
14209	---	Treadle, for 14358
14229	4047	Table Belt Guide Bracket with 448c, for 39709 and 39716
14357	---	Treadle Stand, for 14358
14358	---	Treadle complete, Nos. 7585, 14209, 14357 and four wood screws 1 1/2 in., No. 12
15027	4110	Shuttle Bobbin Case Position Finger, for 15277
15072	4003	Barring Ratchet Pawl Spring Stop Pin, for 23558
15072	4003	Bobbin Winder Bobbin Position Pin, for 27538
15140	4110	Shuttle Bobbin Case Latch, for 15141
15141	---	" " " Hinge, Nos. 2973, 2974 and 15140, for 15277 ..
15170	4023	Oscillating Shaft Crank Slide Block, for 15171
15171	4023	Oscillating Shaft Crank Slide Block complete, Nos. 226b, 1035c, 12424 and 15170, for 39692
15277	---	Shuttle Bobbin Case complete, Nos. 591f, 592e, 2523, 2975, 15027, 15141, 15278 and 62739, for 39578
15278	4110	Shuttle Tension Spring, for 15277..
16555	4024	Bed Frame Hinge Plate, for 39910..

Numerical List of Parts

No.	Plate	Name
18859	4106	Cord Guide
19226	4024	Bed Frame Hinge Connection, for 19398
19397	4024	Bed Frame Hinge Connection Cap, for 19398
19398	—	Bed Frame Hinge Connection 19226 with 211E and 19397, for 39910 ..
20093	4080	Rock Shaft Hanger (front) with two wood screws 1 in., No. 10, for 39812 and 39814
21651	4021	Stop Cam Interlocking Rod Spring..
21654	4028	Wrench, for 1508 and 1638
23352	4030	Arm Shaft
23353	4001	" Top Cover
23361	4003	Barring Ratchet Pawl
23362	4003	" " " Spring
23364	4003	" " Retaining Pawl Spring
23367	4003	" " Wheel Tripping Point
23369	4001	" Stop Arm
23370	4003	" Tripping Lever
23379	4007	Clamp Arm Hinge Block, for 39974..
23380	4007	" " " " Pin, for 39974 ..
23384	4007	" Carrier Connecting Rod
23385	4007	" " Guide (right)
23389	4016	Needle Bar Frame Bell Crank Roller Cap Screw Washer, for 1956 ..
23390	4014	Knife Screw Washer
23392	4008	Clamp Carrier Slide Guide (left) ..
23393	4008	" " " " (right) ..
23394	4105	" " " Lever with 1960 ..
23395	4105	" " " Regulator ..
23396	4008	" " " " " " ..
		Cap
23397	4008	Clamp Carrier Slide Regulating Stud Bushing
23407	4001	Feed Connecting Rod (lower)
23408	4001	" " " (upper) with 12204, 202277 and two 966E
23409	4001	Feed Disengaging Lever
23412	4013	" Eccentric with 448c
23413	—	" Hand Ratchet Lever with 214D and 1049E (obsolete)
23414	4013	Feed Hand Ratchet Lever Collar with two 453c
23416	4013	Feed Hand Ratchet Wheel with 460c ..
23418	4108	" Rock Shaft, for 23419
23419	—	Feed Rock Shaft complete, Nos. 23418 and 23420
23420	4108	Feed Rock Shaft Hinge Pin with 23421, for 23419

Numerical List of Parts

No.	Plate	Name
23421	4013	Feed Rock Shaft Hinge Pin Plug (leather), for 23420
23421	4013	Oscillating Rock Shaft Hinge Pin Oil Hole Plug (leather), for 23494 ..
23422	4013	Feed Rock Shaft Spring
23427	4010	" Wheel Driving Lever Plate ..
*23429	—	" " " " Pitman Cap, for 39554
23432	4109	Feed Wheel Tripping Point, for 39792
23433	4010	Feed Wheel Tripping Lever
23435	4013	" " " Spring..
23460	4010	Knife Bar
23461	4015	" " Connecting Link
23462	4015	" " " Stud with 1319F ..
23463	4015	" " Disengaging Lever
23464	4015	" " " " Catch with 1963
23465	4015	Knife Bar Disengaging Lever Catch Bracket
23466	4015	Knife Bar Disengaging Lever Catch Tripping Point
23467	4015	Knife Bar Disengaging Lever Catch Tripping Point Collar with two 448c
23468	4015	Knife Bar Disengaging Lever Catch Spring
23469	4010	Knife Bar Driving Lever
23470	4010	" " " " (intermedi- ate)
23471	4014	Knife Bar Driving Lever (intermedi- ate) Connecting Link
23476	4016	Needle Bar Connecting Link with with 794E
23477	4010	Needle Bar Crank with 858c, 1036c, 1065c and 1258c
23483	4004	Needle Bar Frame Connection Spring
23484	4004	Needle Bar Frame Connection Spring Hook
23485	4004	Needle Bar Frame Connection Stud ..
23491	4004	" " " Regulator, for 39900 ..
23494	4108	Oscillating Rock Shaft Hinge Pin with 23421, for 39654
23497	4112	Pulley (loose)
23499	4112	" (tight) Counterbalance, for 23517
23500	4110	Shuttle Bobbin, for 39578
23505	4110	" Driver with 462c

No.	Plate	Name
23510	4107	Starting Lever Bracket
23511	4112	" " Rod
23514	4020	Stop Cam Interlocking Rod Guide with 1070c and 1959
23515	4021	Stop Cam Spring (long)
23516	4021	" " " (short)
23517	4112	" " " Cover with 23499, two each 9780 and 28034
23518	4010	Stop Lever
23519	4022	Tension Releaser with 200e
23523	4023	Thread Take-up Crank
23524	4023	" " Lever, for 23525
23525	---	Thread Take-up Lever complete, Nos. 12166, 23524 and 23543
23526	4022	Thread Take-up Spring Regulator ..
23527	4030	Drip Pan with two wood screws $\frac{1}{2}$ in., No. 5, R.H.B.
23528	4108	Bed Frame Clamp Lifting Arm Stop
23535	4028	Wrench, for 1671, for regulating length of buttonhole
23536	4047	Table Belt Guide with two 168e, for 39709 and 39716
23538	4047	Table Belt Guide Pulley, for 39709 and 39716
23543	4023	Thread Take-up Lever Link, for 23525
23544	4003	Barring Ratchet Retaining Pawl (hinge screw end), for 23546
23545	4003	Barring Ratchet Retaining Pawl (wheel end), for 23546
23546	---	Barring Ratchet Retaining Pawl (ad- justable) complete, Nos. 203c, 23544 and 23545
23548	4014	Knife Bar Stop Plug (fibre), for 39565
23551	4024	Treadle Chain Screw Eye
		Nos. 23552 to 23554, for 23555
23552	4010	Feed Wheel Friction Ring Section (long)
23553	4010	Feed Wheel Friction Ring Section (short)
23554	4109	Feed Wheel Friction Ring Spring ..
23555	4007	Feed Wheel Friction Ring complete, Nos. 23552 to 23554
23556	4007	Starting Lever Belt Shifter
23557	4001	Feed Disengaging Lever Spring
23558	4001	Needle Bar Frame Bell Crank with 1956 and 15072

No.	Plate	Name
23563	4105	Barring Lever
23564	4106	" " Catch with 1226c
23565	4105	" " " Spring
23566	4106	" " " Spring
23573	4105	Clamp Plate Support
23574	4105	" Post, for 39974
23587	4109	Feed Wheel Tripping Lever Point..
23606	4015	Knife Bar Disengaging Lever Spring
23609	---	Needle Bar Frame Pitman (regulator end), for 23611
23610	---	Needle Bar Frame Pitman (hinge screw end), for 23611
23611	4016	Needle Bar Frame Pitman (adjust- able) complete, Nos. 23609, 23610, two each 190c and 7071
23664	4003	Barring Ratchet Wheel
23665	4003	" " " Spring
23666	4003	" " " Washer
23667	4016	Needle Bar Frame Bell Crank Stud
23669	4022	Tension Thread Guard
23681	4014	Knife Bar Driving Lever Spring ..
23682	4014	" " Spring
23693	4106	Clamp Spring Bushing, for 39974 ..
23695	4022	Tension Releaser Shaft Arm Conne- ction Bracket, for 39974
24028	4108	Crank Connecting Rod with 24085 and two 896e
24047	4013	Oscillating Shaft Bushing (front)..
*24081	---	Arm Shaft Bushing (front), for 39971
*24085	---	Crank Connecting Rod Cap, for 24028
24106	4024	Bed Frame Cushion (felt), for 39910
26026	4028	Screw Driver (machine, small), Nos. 120088 and 120090
26485	4028	Screw Driver (shuttle tension), Nos. 120092 and 120094
27302	4029	Bobbin Winder Frame, for 27923 ...
27538	4029	" " Spindle with 15072, for 27923
27914	4029	Bobbin Winder Base with 27916 and two 28084, for 27923
27915	4029	Bobbin Winder Base Plate, for 27924
27916	4024	" " Brake (leather), for 27914
		Nos. 27917 to 27919, for 27923
27917	4024	Bobbin Winder Frame Spring
27918	4029	" " Pulley
27919	4029	" " Stop Latch
27920	4029	" " Tension Bracket with 452c, for 41336

Numerical List of Parts

No.	Plate	Name
27921	4029	Bobbin Winder Tension Bracket with Rod complete, Nos. 27922 and 41336, for 27924
27922	4029	Bobbin Winder Thread Eyelet Rod, for 27921
27923	4029	Bobbin Winder, Nos. 35D, 1620J, 27302, 27538, 27914, 27917 to 27919 and 50356D, for 27924
27924	—	Bobbin Winder (swinging automatic, right hand) complete, Nos. 27915, 27921, 27923 and two 389F
28034	4020	Pulley (tight) Counterbalance Rivet, for 23517
28084	4024	Bobbin Winder Brake Rivet, for 27914
39504	4089	Feed Wheel Driving Lever Block Adjusting Screw Clamping Screw Washer, for 39594
39504	4089	Feed Wheel Retaining Clutch Cap Screw Washer
39514	4020	Clamp Spring, for 39974
39522	—	Feed Hand Ratchet Lever Pawl complete, Nos. 207E, 39523, 39567 and two 1049E (obsolete)
39523	4109	Feed Hand Ratchet Lever Pawl Point, for 39522 and 39996
39532	4106	Clamp Carrier Regulator Stud Sleeve Nos. 39539 to 39541, for 39974
39539	4039	Clamp Arm
39540	4039	" " Bracket with 196F
39541	4106	" " " Screw Washer ..
39541	4106	Tension Releaser Shaft Arm Connection Screw Washer
39542	4039	Clamp Carrier
39543	4039	" " Regulator with 233D and 1960
39550	4107	Clamp Plate, for 39974
39553	4108	Feed Wheel Driving Lever
39554	4089	" " " Pitman with 23429, 50088c and two 196F
39560	4111	Tension Releaser Shaft Arm Hub ..
39561	4111	Gauge, for $\frac{1}{2}$ to $1\frac{1}{2}$ in., for setting length of buttonhole
39565	—	Knife Bar Stop complete, Nos. 1673c, 23548 and 39566
39566	4014	Knife Bar Stop, for 39565
39567	—	Feed Hand Ratchet Lever Pawl Body with 214D (obsolete), for 39522

Numerical List of Parts

No.	Plate	Name
39569	—	Treadle Chain, 45 in. long, with 39575 and 39576
39570	4047	Clamp Check Lifting Chain Guide Pulley Bracket, for 39809
39570	4047	Rock Shaft Starting Hook Chain Guide Pulley Bracket, for 39572
39570	4047	Treadle Chain Guide Bracket, for 39572
39571	4047	Rock Shaft Starting Hook Chain Guide Pulley, for 39572
39571	4047	Treadle Chain Guide Pulley, for 39572
39572	4047	Rock Shaft Starting Hook Chain Guide Pulley Bracket complete, Nos. 39570, two each 1064D, 39571 and wood screws $1\frac{1}{2}$ in., No. 12, R.H.B.
39572	4047	Treadle Chain Guide complete, Nos. 39570, two each 1064D, 39571 and wood screws $1\frac{1}{2}$ in., No. 12, R.H.B., for 39817
39575	4024	Treadle Chain Hook (lower), for 39569, 39815 and 39816
39576	4024	Treadle Chain Hook (upper), for 39569, 39811 and 39813
39577	4110	Shuttle Body, for 39578
39578	—	" $1\frac{1}{2}$ in. diam., Nos. 15277, 23500 and 39577
39580	4112	Stop Cam Interlocking Rod
39590	4004	Feed Rock Shaft Spring Plate
39591	4004	Clamp Carrier Guide (left), for 39614
39594	4109	Feed Wheel Driving Lever Block Adjusting Screw Bracket with 769c, 898c and 39504
39595	4109	Feed Wheel Retaining Clutch Cap ..
39596	4109	" " " " Stud ..
39597	4110	" " Driving Lever Block with 602E and 39598
39598	4109	Feed Wheel Driving Lever Block Lock Spring, for 39597
39601	4004	Needle Bar Connecting Stud with 1341c
39604	4107	Clamp Carrier Plate
39614	4107	" " Slide with 39591 and three 756D
Nos. 39616 to 39618, for 39622		
39616	4004	Barring Lever Catch Stud
39617	4004	" " " " Rivet (long)

No.	Plate	Name
39618	4004	Barring Lever Catch Stud Rivet (short)
39622	4108	Needle Bar Frame Connection with 1963 and 39616 to 39618, for 39926
39627	4107	Starting Lever
39628	4112	Stop Cam with 39629 and 202330 ..
39629	4111	" " Pin, for 39628
39637	4021	" " Spring Stop Block
39638	4021	" " " " Screw Block
39653	4108	Oscillating Rock Shaft, for 39654 ..
39654	—	Oscillating Rock Shaft complete, Nos. 4784, 23494 and 39653
39655	4112	Oscillating Shaft
39656	4023	" " Bushing (back) ..
39657	—	" " Crank, for 39692 ..
39692	4023	Oscillating Shaft Crank complete, Nos. 1636c, 1517L, 39657 and two 1253c
39708	4047	Table Belt Guide Pulley Shaft with 858c, for 39709 and 39716
39709	4047	Table Belt Guide (single, right) complete, Nos. 14229, 23536, 23538, 39708 and four wood screws 1½ in., No. 12, R.H.B.
39716	4047	Table Belt Guide (single, left) complete, Nos. 14229, 23536, 23538, 39708 and four wood screws 1½ in., No. 12, R.H.B.
39759	4105	Barring Cam with two 858c
39760	4107	Bed Oil Guard
39762	4105	Clamp Carrier Regulator Slide
39765	4106	Cord and Thread Clamping Spring, for 39974
39766	4106	Cord and Thread Cutting Knife, for 39974
39768	4106	Cord Leading Bracket Dowel Pin ..
39770	4106	" " Eye (double)
39772	4089	" Rotating Gear Gib (front)
39773	4089	" " " (back)
39775	4077	" " Sector Catch
39776	4077	" " " " Connection
39777	4077	" " " " " " Collar with two 219r
39778	4077	Cord Rotating Sector Catch Spring
39779	4077	" " Tripping Cam with two 453c
39780	4076	Cord Rotating Gear Slide
39781	4076	" " " " Block
39782	4076	" " " " Flange with two 453c

No.	Plate	Name
39783	4076	Cord Rotating Gear Slide Sleeve....
39784	4076	" " " " " Spring
39785	4076	" " " " " Extension... ..
39786	4076	" " " " " Sleeve Slide Rod
39787	4076	Cord Rotating Gear Slide Sleeve Slide Rod Connection
39788	4076	Cord Rotating Gear Slide Connecting Spring
39789	4089	Cord Tension Spring
39790	4077	" Take-up Spring
39791	4107	Face Plate
39792	4107	Feed Wheel with 23432 and two 220b ..
39793	4107	" " Shaft
39794	4108	Needle Bar Frame with 4784
39795	—	Knife, ¾ inch
39796	4077	" Holder
39797	4077	Tension Releaser Shaft
39799	—	Knife, ¾ inch
39800	—	" ½ inch
39801	—	" ⅝ inch
39808	4080	Clamp Check Lifting Chain Guide Pulley, for 39809
39809	—	Clamp Check Lifting Chain Guide Pulley Bracket complete, Nos. 39570, two each 1064b, 39808 and wood screws 1½ in., No. 12, R.H.B., for 39818
39810	4080	Rock Shaft, for 39812 and 39814
39811	4080	" " Starting Hook (right hand) with 39576, for 39812
39812	—	Rock Shaft complete (right hand), Nos. 2770, 6336, 6337, 7539, 20093, 39810 and 39811, for 39818
39813	4080	Rock Shaft Starting Hook (left hand) with 39576, for 39814
39814	—	Rock Shaft complete (left hand), Nos. 2770, 6336, 6337, 7539, 20093, 39810 and 39813, for 39817
39815	4080	Rock Shaft Starting Hook Chain, 14½ in. long (left), with 39575, for 39817
39816	4080	Rock Shaft Starting Hook Chain, 5½ in. long (right), with 39575, for 39818
39817	—	Rock Shaft and Treadle Chain Guide Combination complete, for left hand machine when set in pairs, Nos. 39572, 39814 and 39815

Numerical List of Parts

No.	Plate	Name
39818	---	Rock Shaft and Treadle Chain Guide Combination complete, for right hand machines when set in pairs, Nos. 39809, 39812 and 39816
39824	---	Clamp Check Adjusting Plate, for 39974
39825	---	Clamp Check Holder, for 39974
39829	4111	Knife, $\frac{3}{8}$ inch
39830	---	" 1 inch
39831	---	" $\frac{1}{8}$ inch
39832	4076	Cord Rotating Sector Adjustable Catch Notch Gib, for 39856
39833	---	Clamp Check, for 39974
39839	---	Knife, $\frac{1}{8}$ inch
39840	---	" $\frac{7}{8}$ inch
39841	---	" $\frac{1}{2}$ inch
39842	---	" $\frac{1}{4}$ inch
39843	---	" $1\frac{1}{8}$ inch
39844	4106	Barring Indicator
Nos. 39852 to 39854, for 39905		
39852	4106	Cord Leading Finger (lower)
39853	4106	" " " " Screw Washer
39854	4106	Cord Leading Finger (upper)
39855	4089	" Rotating Gear
39856	4089	" " Sector with 7071, 39832 and 201321c
39857	4089	Needle Bar with 904F
Nos. 39886 to 39897, for 39898		
39886	---	Knife Grinder Emery Wheel, 4 in. diameter
39887	4083	Knife Grinder Emery Wheel Driving Shaft
39888	4083	Knife Grinder Emery Wheel Driving Shaft Oil Hole Cover
39889	4082	Knife Grinder Frame
39890	4086	" " Knife Holder (adjustable)
39891	4083	Knife Grinder Knife Holder Indicator
39892	4086	" " " " Slide Bracket with 200386c
39893	4086	Knife Grinder Knife Holder Slide Bracket Adjusting Screw Slide Plate
39894	4086	Knife Grinder Knife Holder Slide Bracket Shaft

Numerical List of Parts

No.	Plate	Name
39895	4083	Knife Grinder Knife Holding Spring
39896	4083	" " " " " Bracket
39897	4083	Knife Grinder Knife Stop (adjustable)
39898	---	Knife Grinder complete, Nos. 57c, 176D, 208D, 219F, 771D, 793D, 9525, 10249, 39886 to 39897, 200165H, 201298C, 201510D, 203094, 204101, 206963, 350068E, two each 200577H, 204264, 206232, 206969 and three wood screws $1\frac{1}{4}$ in., No. 12
39899	4105	Cord Leading Bracket
39900	---	Needle Bar Frame Regulator 23491 with 1245c
39905	---	Cord Leading Finger complete, Nos. 39852 to 39854 and 350067D
Nos. 39910 to 39912, for 39913		
39910	4082	Bed Frame with two each 16555, 19398, four each 158E, 24106, six 14010 and four wood screws $1\frac{1}{4}$ in., No. 12
39911	4084	Splash Guard with 201655J
39912	4083	" " Hinge
39913	---	Bed Frame and Splash Guard complete, Nos. 39910, 39911, two 39912 and eight 200574E
39926	---	Needle Bar Frame Connection 39622 with 78c and 1226c
39927	---	Pulley 40024 with 40025
39966	4103	Needle Bar Frame Cam and Bevel Gear
39967	4103	Needle Bar Frame Driving Bevel Pinion with two 453c
39969	4110	Shuttle Race Back, for 39982
*39971	---	Arm with 24081
*39972	---	Bed
39973	4105	Clamp Lifting Arm, for 39974
39974	---	Clamp complete, Nos. 792D, 1294C, 1550H, 1659C, 23379, 23380, 23574, 23693, 23695, 39514, 39539, 39540, 39550, 39765, 39766, 39824, 39825, 39833, 39973, 39975, 39977, 50163F, 50165D, two each 89C, 109D, 219F, 1297F, 50164D, three 402D, four each 191C, 625F, 1547D and 39541
39975	4109	Cord Leading Finger Trip, for 39974

Numerical List of Parts

No.	Plate	Name
39976	4111	Tension Releaser Shaft Arm
39977	4111	" " " " Connec- tion, for 39974
*39979	—	Shuttle Race Body, for 39980
39980	4112	" " " 39979 with 7326, 39981, 39982, two each 391j and 662b
39981	4111	Shuttle Race Ring, for 39980
39982	—	Shuttle Race complete, Nos. 648b, 2533, 39969, 39980 and two 2532..
39988	4111	Stop Cam Interlocking Rod Guide Washer (rawhide)
39994	4108	Feed Hand Ratchet Lever, for 39997
39995	—	" " " " Pawl Body, for 39996
39996	4108	Feed Hand Ratchet Lever Pawl com- plete, Nos. 207E, 39523, 39995 and 1049E, for 39997
39997	—	Feed Hand Ratchet Lever complete, Nos. 90b, 13218, 39994 and 39996
40006	4004	Clamp Carrier Block with 40007 and four 404b
40007	4004	Clamp Carrier Block Plate, for 40006
40024	4112	Pulley (tight), for 39927
40025	4004	" " Pin, for 39927
41336	—	Bobbin Winder Tension Bracket com- plete, Nos. 5989, 10145 and 27920, for 27921
41401	4112	Machine Rest Pin (wood), 5 $\frac{1}{16}$ in. long
50088c	4089	Feed Wheel Driving Lever Pitman Ball Joint Screw, for 39554
50163r	4106	Clamp Check Adjusting Plate Screw (front), for 39974
50164d	4106	Cord and Thread Clamping Spring Screw, for 39974
50165d	4106	Cord and Thread Cutting Knife Screw, for 39974
50166	4076	Cord Rotating Gear Slide Connecting Spring Screw Eye (back)
50167d	4077	Cord Tension Screw Stud
50356d	4103	Bobbin Winder Frame Hinge Screw, for 27923
60913	14083	Spool Weight with 60914
60914	4103	" " Center Pin, for 60913..
62739	4110	Shuttle Bobbin Case, for 15277
*120088	—	Screw Driver Blade, for 26026
*120090	—	" " Handle, for 26026
*120092	—	" " Blade, for 26485
*120094	—	" " Handle, for 26485

Numerical List of Parts

No.	Plate	Name
120346	4104	Oiler (copper plated) with 120347 ..
120347	4104	" Spout, 9 in. long, for 120346 ..
200165h	11658	Knife Grinder Knife Holder Indi- cator Screw, for 39898
200383c	4103	Thread Unwinder Spool Rest Rod Set Screw, for 202490
200386c	11658	Knife Grinder Knife Holder Slide Bracket Set Screw, for 39892 ...
200403c	11658	Knife Grinder Emery Wheel Driving Shaft Pulley Set Screw, for 206963
200574E	11658	Splash Guard Hinge Screw, for 39913
200577h	11658	Knife Grinder Knife Holder Slide Bracket Adjusting Screw Slide Plate Screw, for 39898
201018c	4103	Thread Unwinder Spool Rest Set Screw, for 225389 and 225395 ..
201052c	11658	Knife Grinder Knife Holder Slide Bracket Shaft Collar Set Screw, for 206232
201287E	11658	Cord Rotating Sector Hinge Screw (eccentric)
201298c	11658	Knife Grinder Knife Holder Slide Bracket Adjusting Screw, for 39898
201321c	11658	Cord Rotating Sector Adjustable Catch Notch Gib Screw, for 39856
201510b	11658	Knife Grinder Emery Wheel Driving Shaft Nut, for 39898
201655j	11658	Splash Guard Locking Screw Wing Nut, for 39911
201696j	4103	Thread Unwinder Thread Guide Lock Nut, for 225397
202277	—	Feed Connecting Rod (upper) Oil Packing (wick), for 23408
202330	—	Stop Cam Oil Packing (wick), for 39628
202490	14083	Thread Unwinder Spool Stand with 200383c, for 225397
203094	11658	Knife Grinder Knife Holder Indi- cator Position Pin, for 39898 ...
204101	11658	Knife Grinder Emery Wheel Driving Shaft Nut Washer, for 39898
204264	11658	Knife Grinder Knife Holding Spring Bracket Position Pin, for 39898..
204264	11658	Knife Grinder Knife Holding Spring Position Pin, for 39898
206232	11658	Knife Grinder Knife Holder Slide Bracket Shaft Collar with 201052c, for 39898

Numerical List of Parts

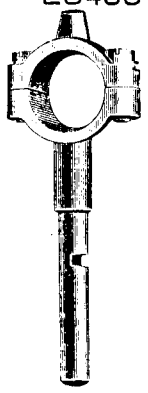
No.	Plate	Name
206963	11658	Knife Grinder Emery Wheel Driving Shaft Pulley with two 200403c, for 39898
206969	---	Knife Grinder Emery Wheel Washer (paper), for 39898
213949	11658	Cord Rotating Sector Hinge Screw Washer
225377	14083	Spool Wire, for small spools
225388	14083	Thread Unwinder Spool Rest Rod, for 225397
225389	14083	Thread Unwinder Spool Rest (for one spool) with 201018c, for 225397
225391	14083	Thread Unwinder Thread Guide, for 225397
225392	14083	Thread Unwinder Thread Guide Rod with 208e and 225393, for 225397
225393	4103	Thread Unwinder Thread Guide Rod Washer, for 225392
225395	14083	Thread Unwinder Spool Rest (for two spools) with 201018c, for 225397
225397	14083	Thread Unwinder (for three spools) complete. Nos. 201696j, 202490, 225388, 225389, 225392, 225395, three each 225391 and wood screws $\frac{3}{8}$ in., No. 12
255513	4112	Tweezers
350067D	4106	Cord Leading Finger (lower) Screw, for 39905
350068E	4111	Knife Grinder Emery Wheel Driving Shaft Oil Hole Cover Screw, for 39898
350076c	4103	Clamp Carrier Regulator Stud (to regulate length of buttonhole) ..

ILLUSTRATIONS OF PARTS**FOR****MACHINE No. 71-52**

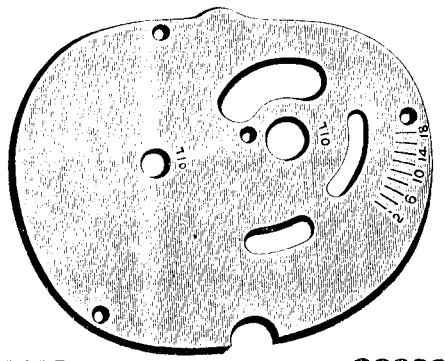
PLATE 4001—ONE-HALF SIZE

ILLUSTRATIONS OF PARTS
FOR
MACHINE No. 21-52

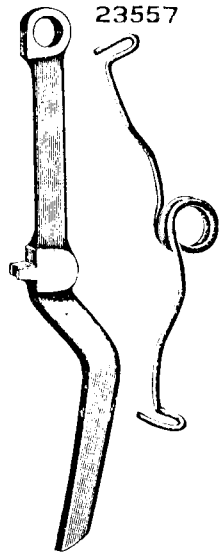
23408



23353



23409



23369



23407



23557



23558

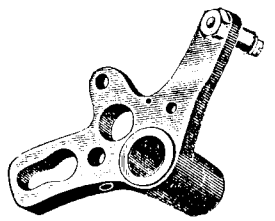


PLATE 4003—FULL SIZE

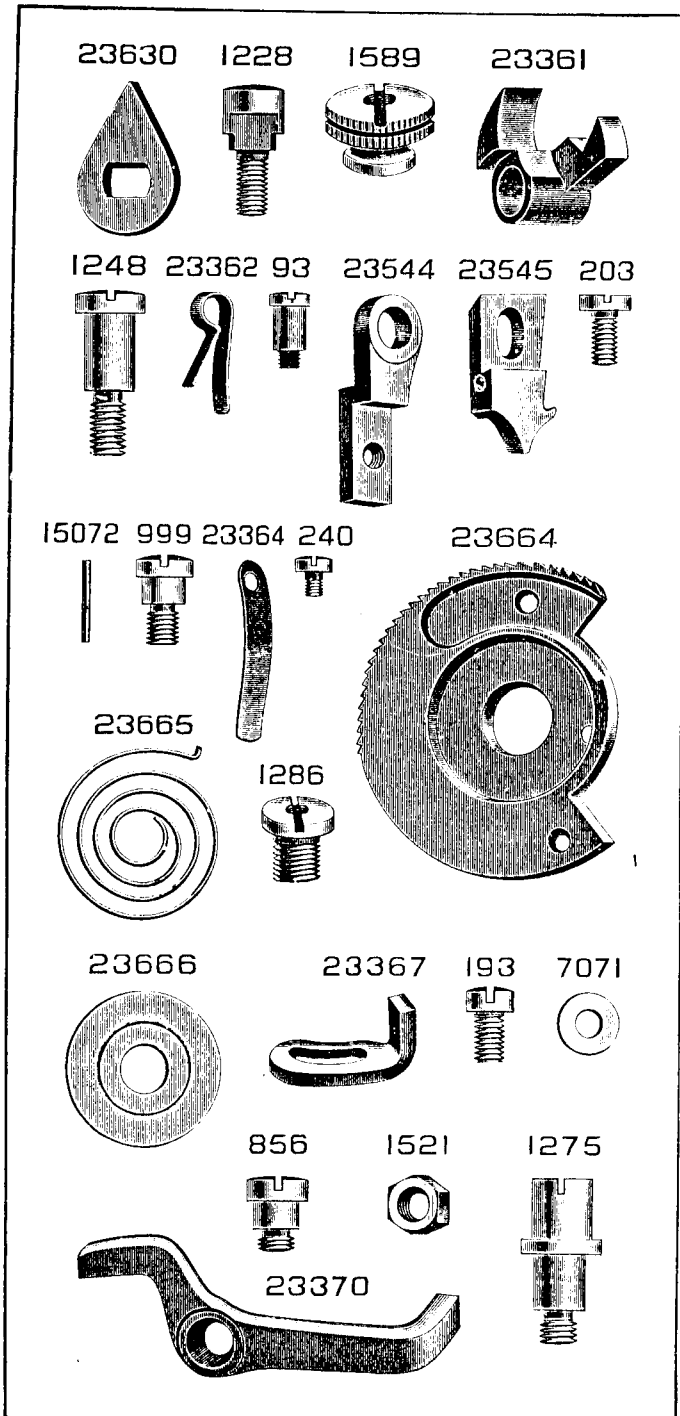


PLATE 4004—FULL SIZE

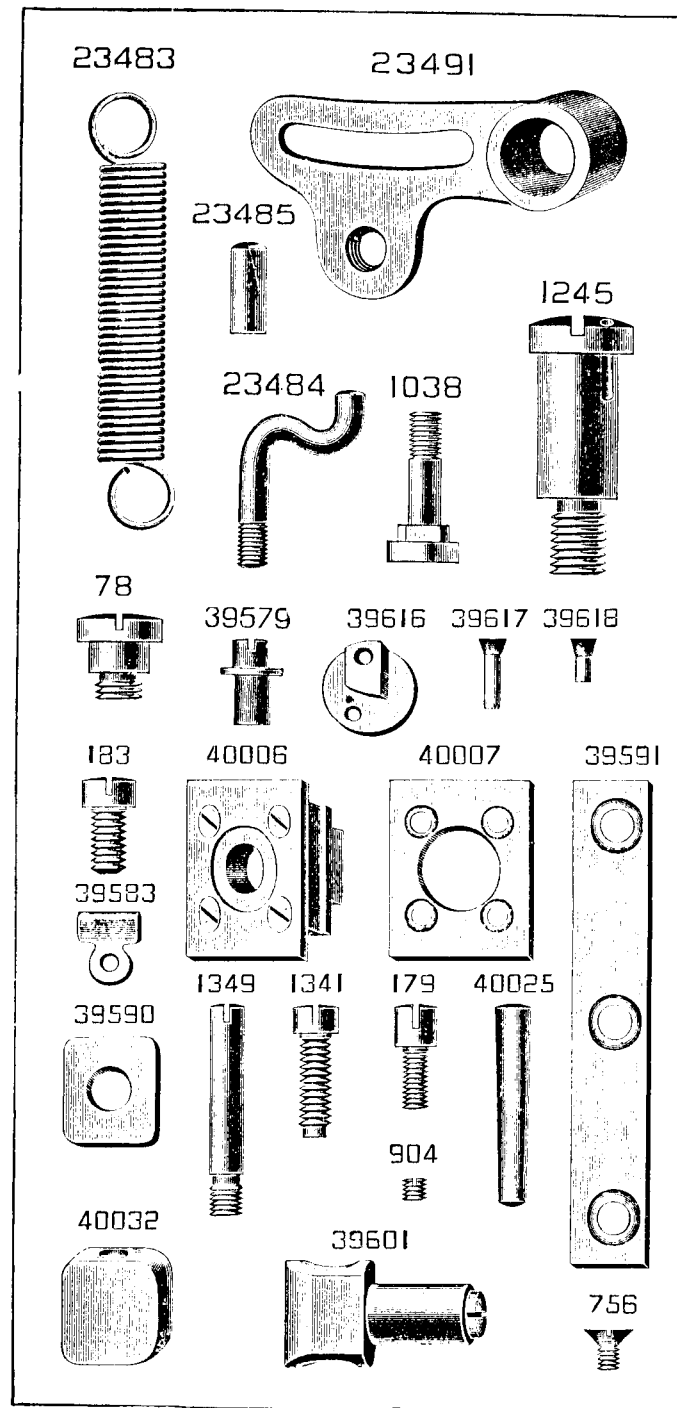


PLATE 4007—FULL SIZE

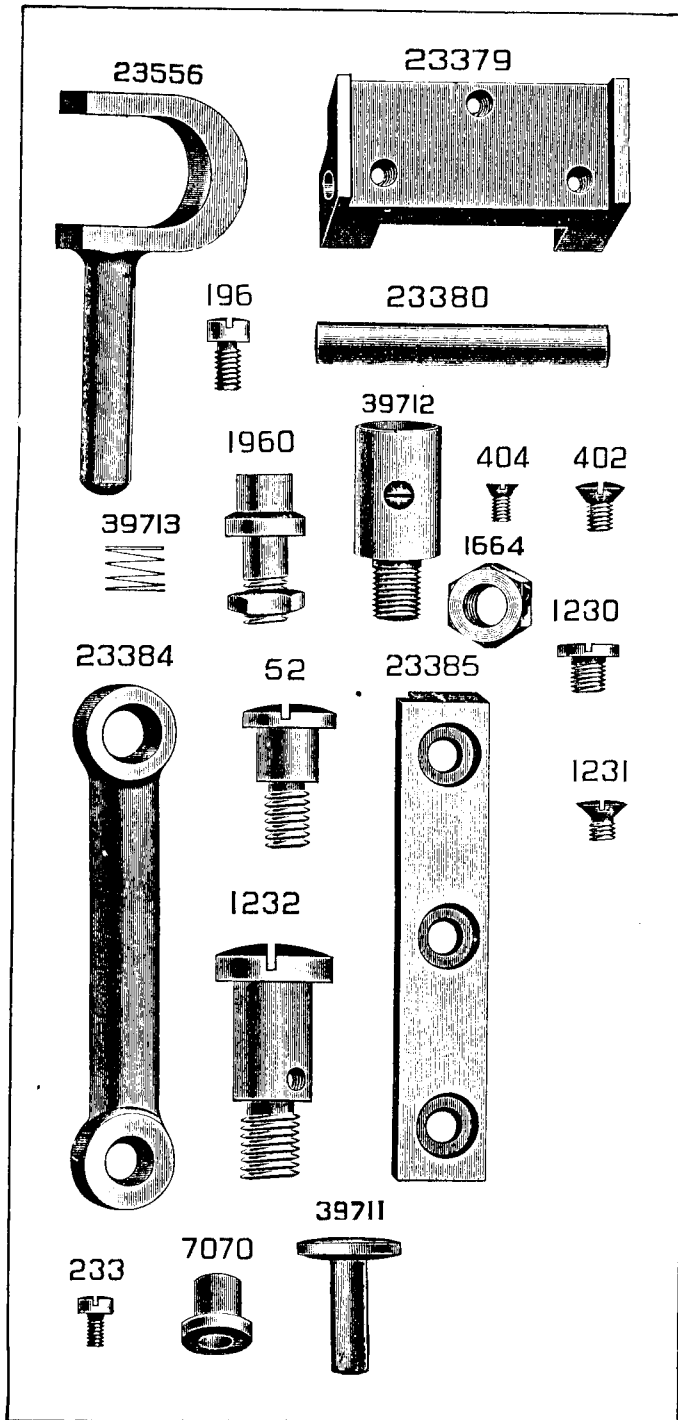


PLATE 4008—FULL SIZE

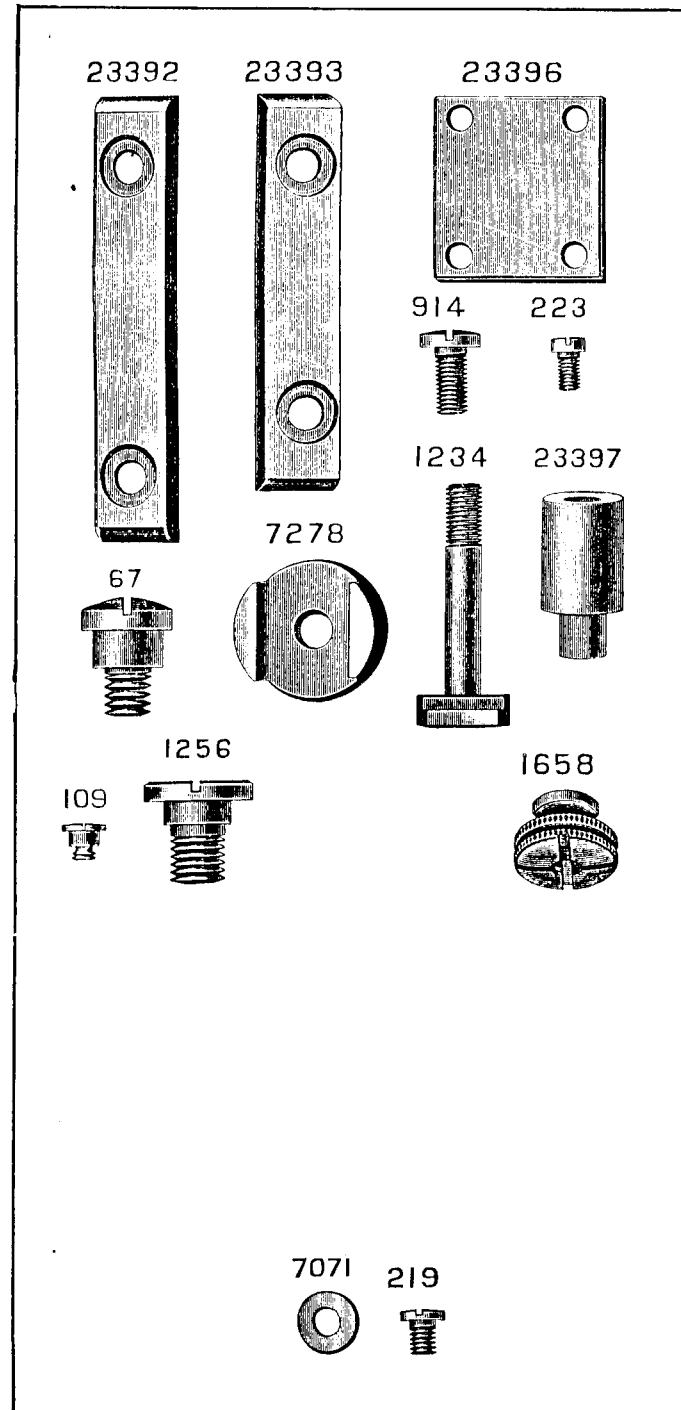


PLATE 4010—ONE-HALF SIZE

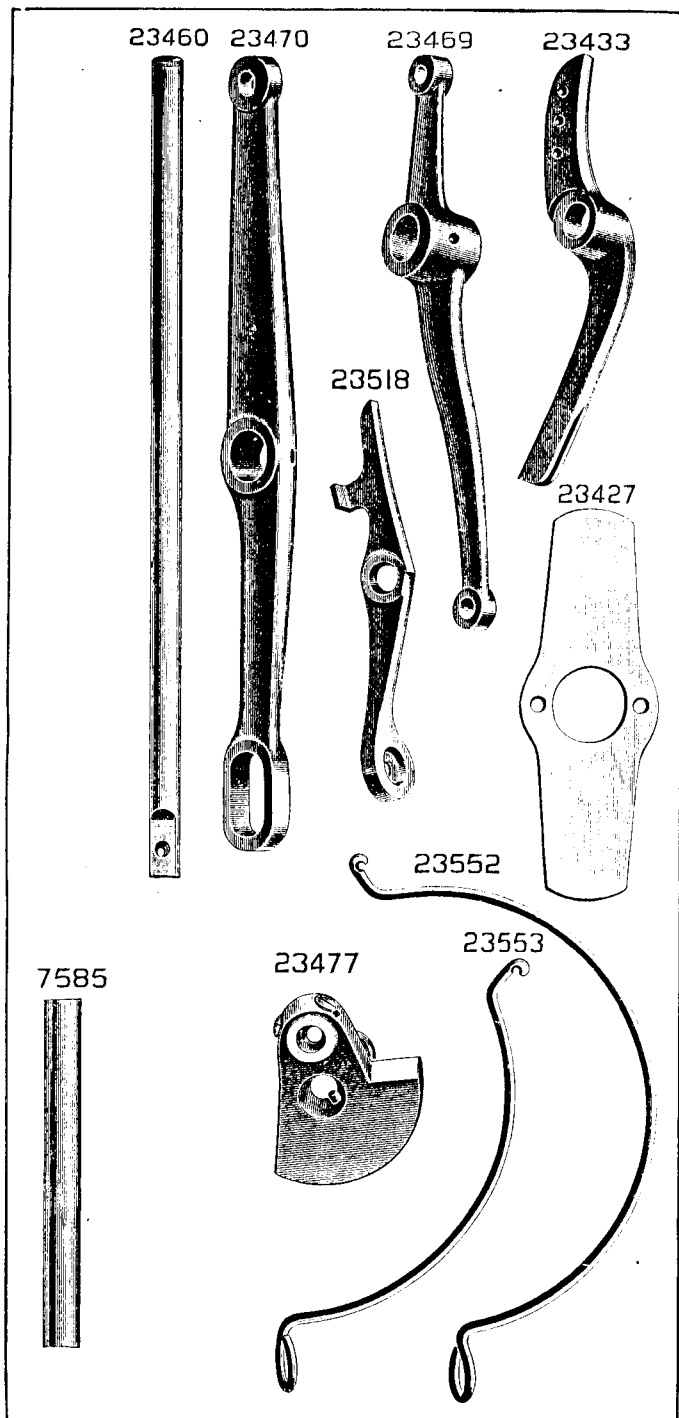


PLATE 4013—FULL SIZE

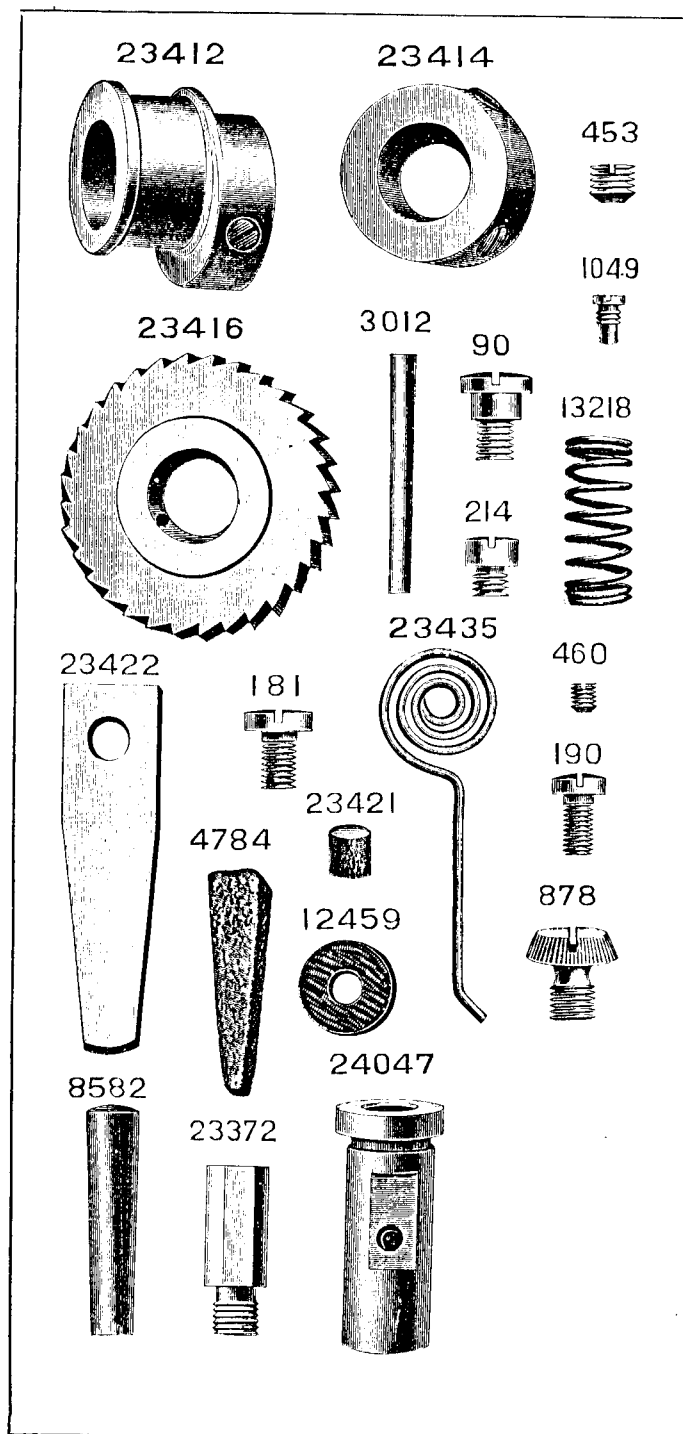


PLATE 4014—FULL SIZE

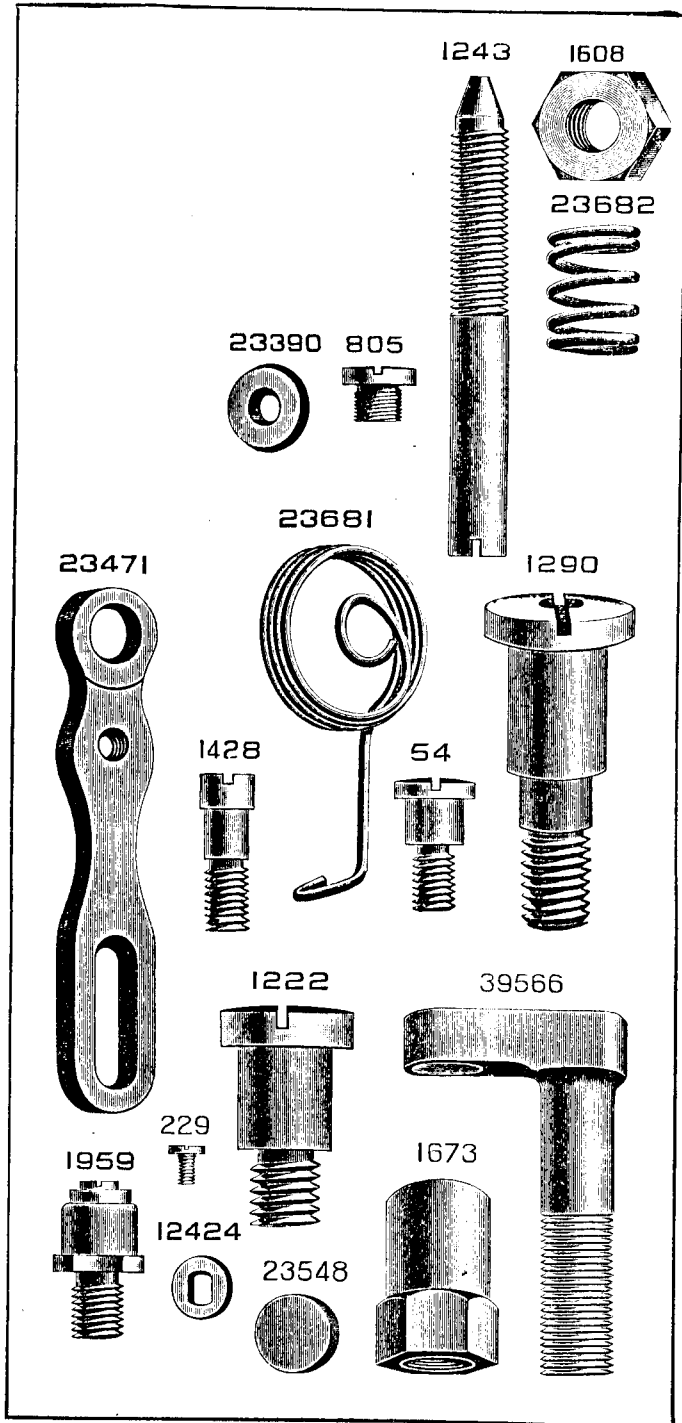


PLATE 4015—FULL SIZE

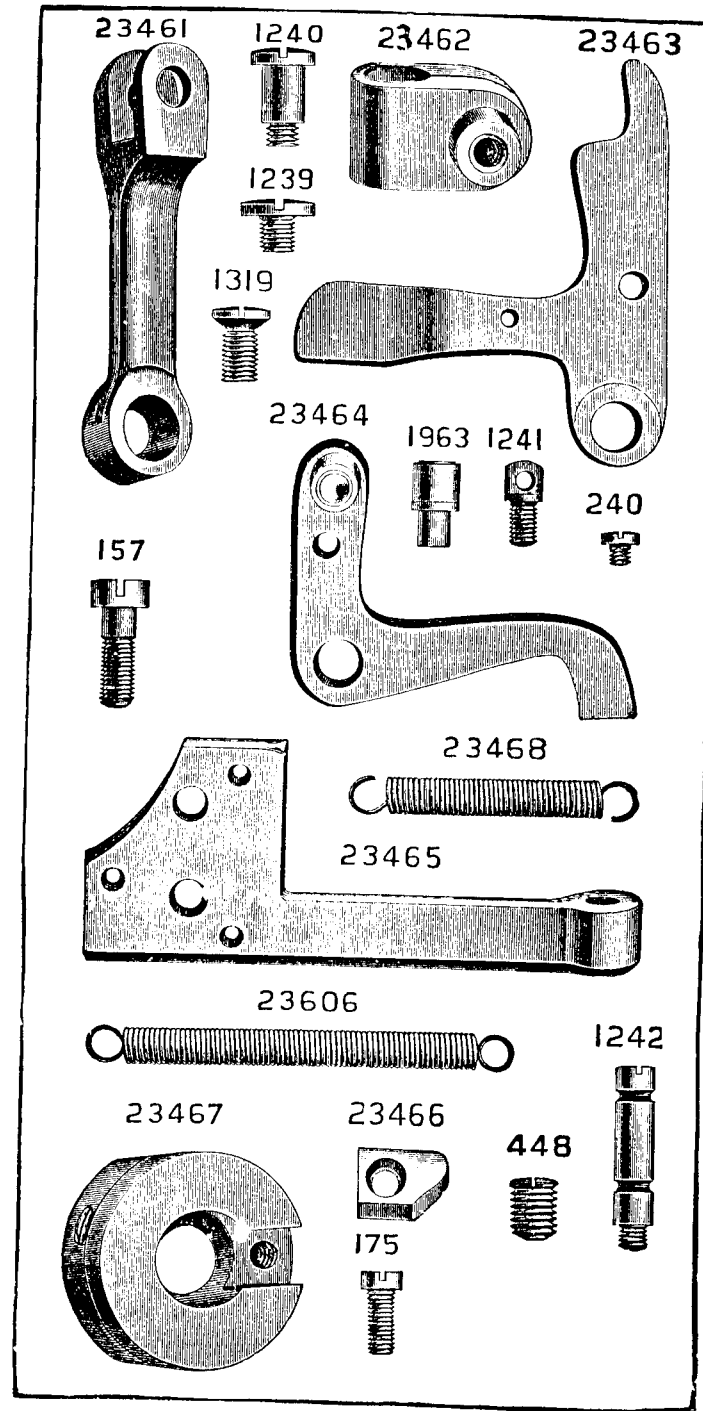


PLATE 4016—FULL SIZE

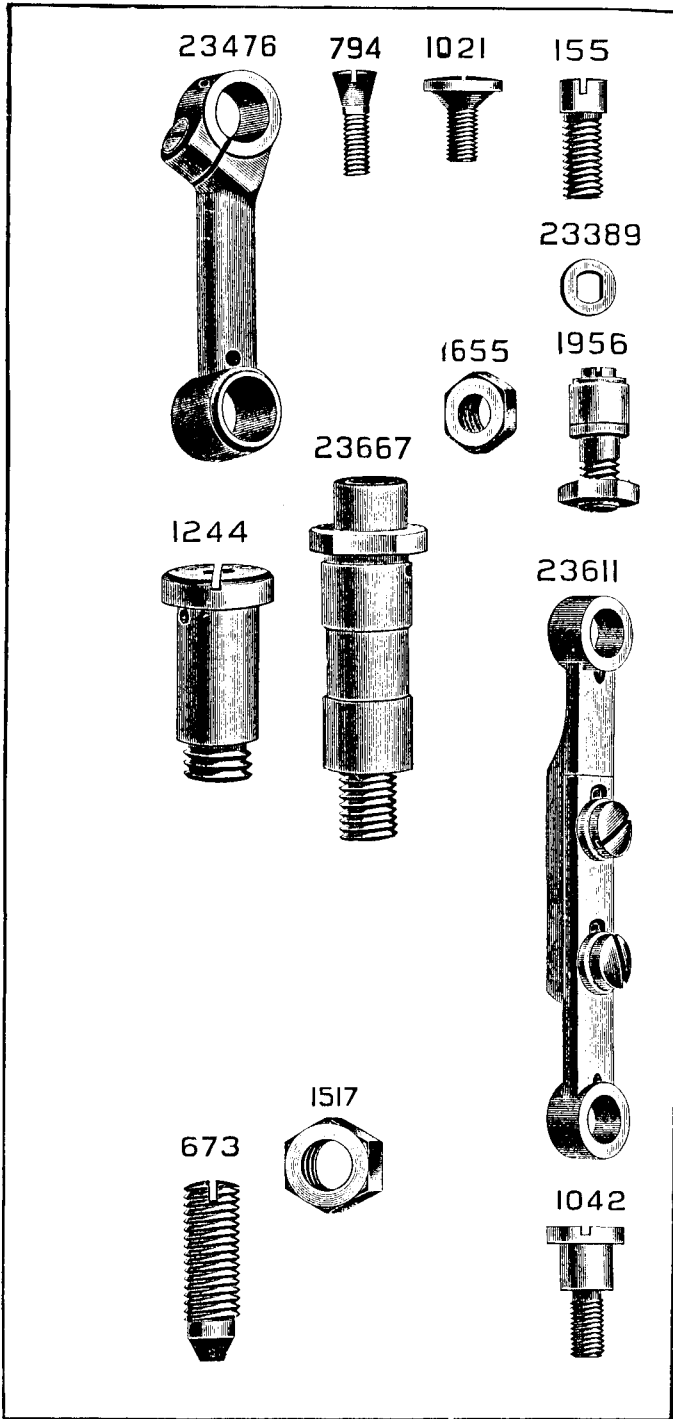


PLATE 4020—FULL SIZE

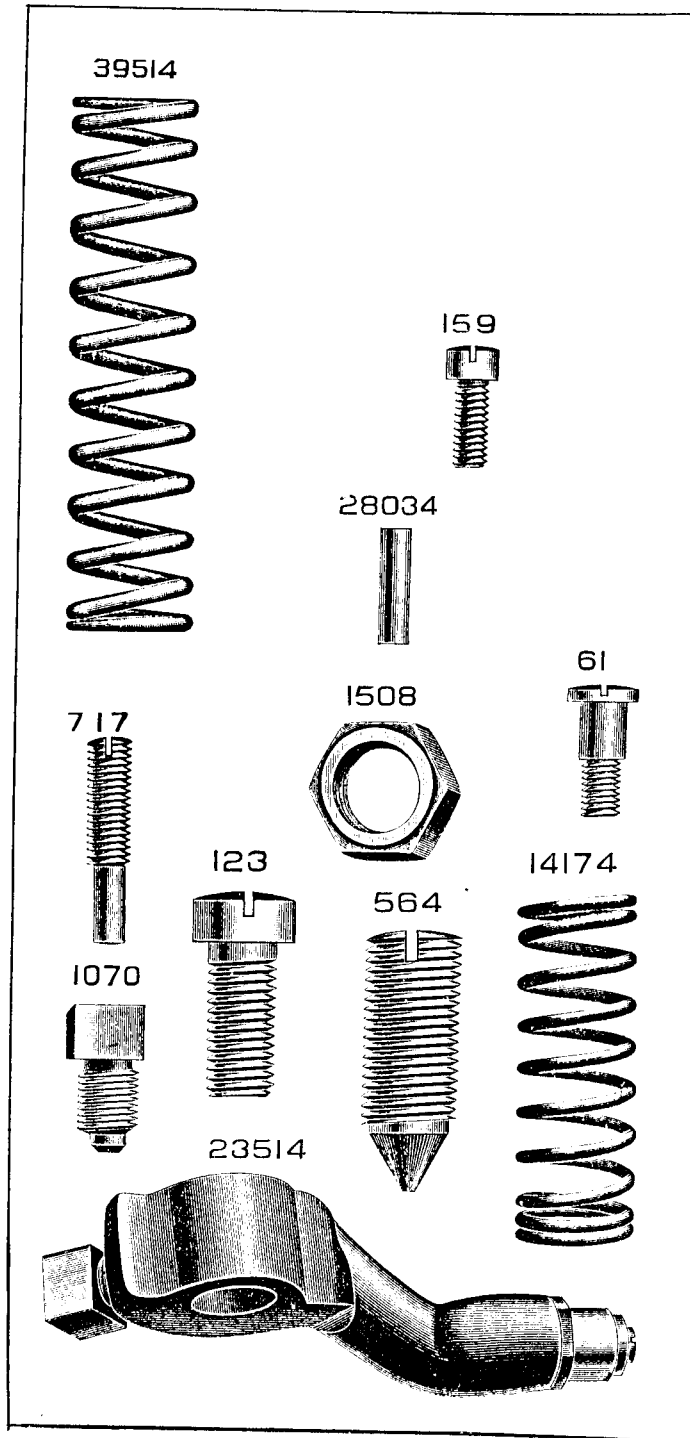


PLATE 4021—FULL SIZE

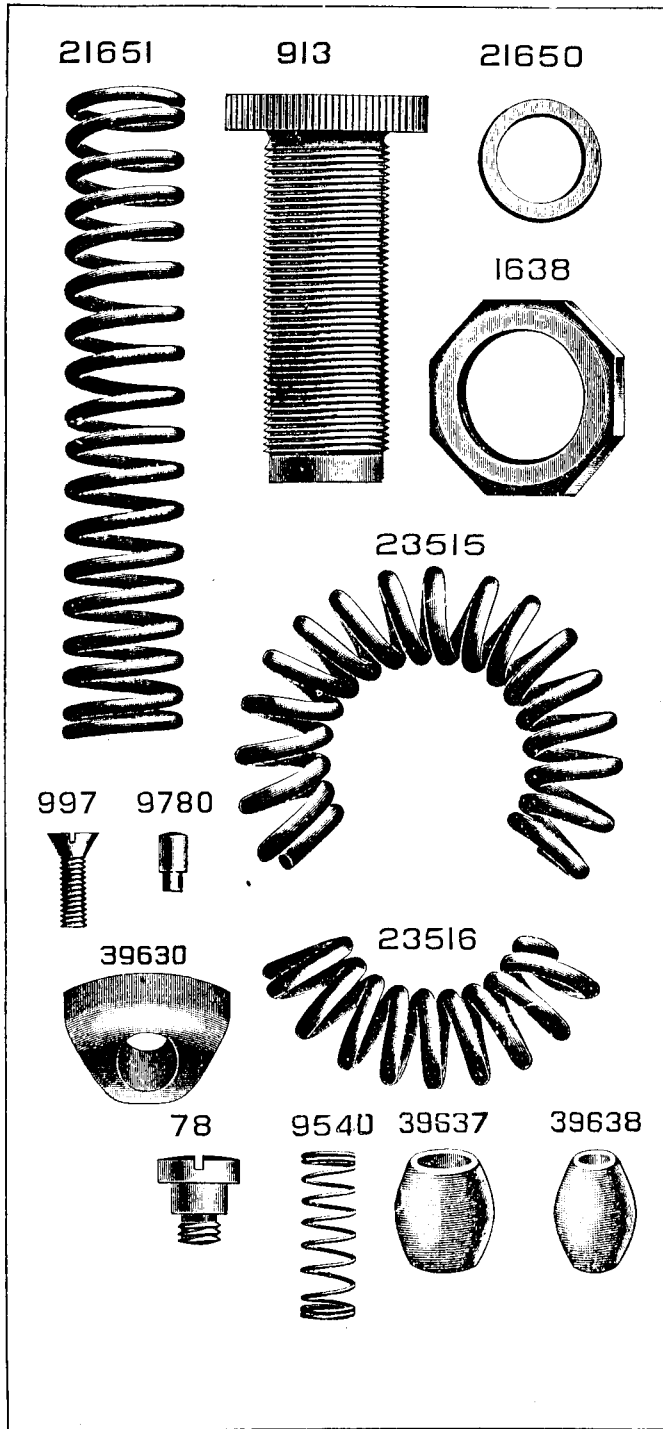


PLATE 4022—FULL SIZE

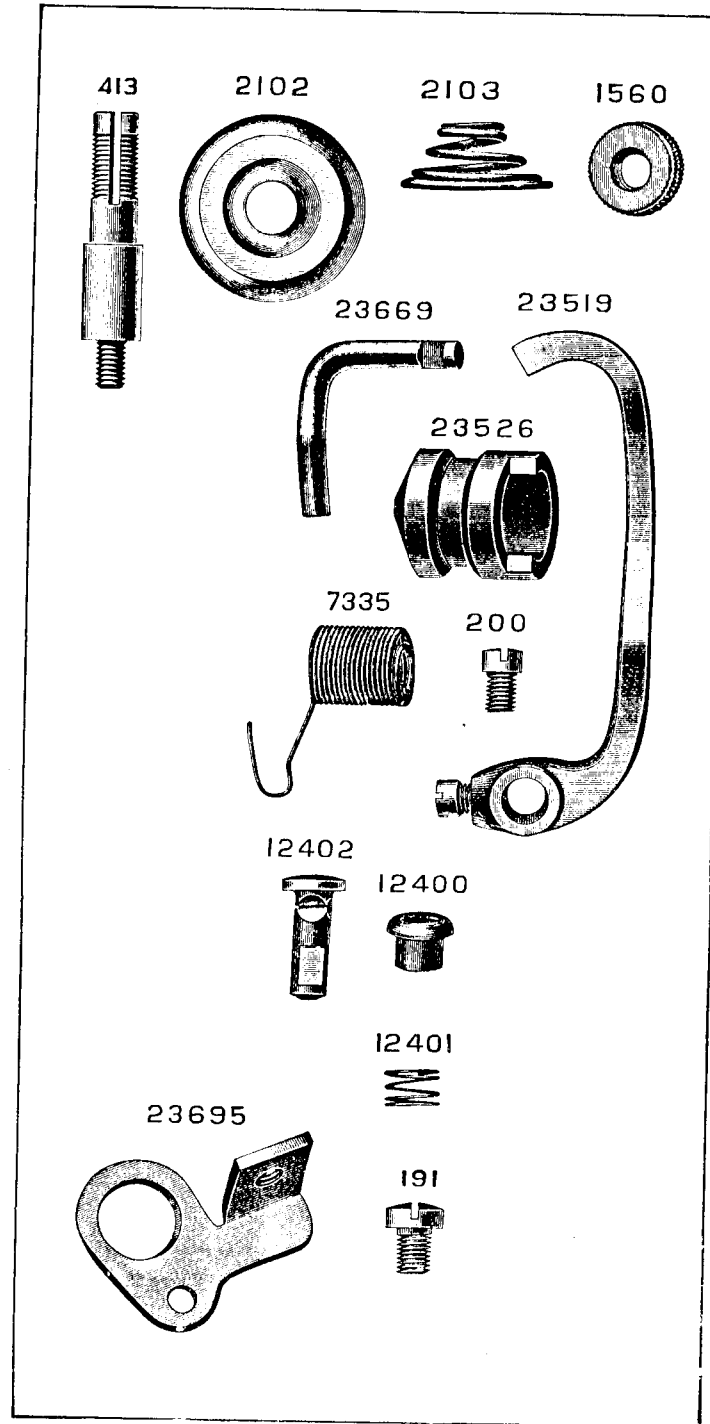


PLATE 4023—FULL SIZE

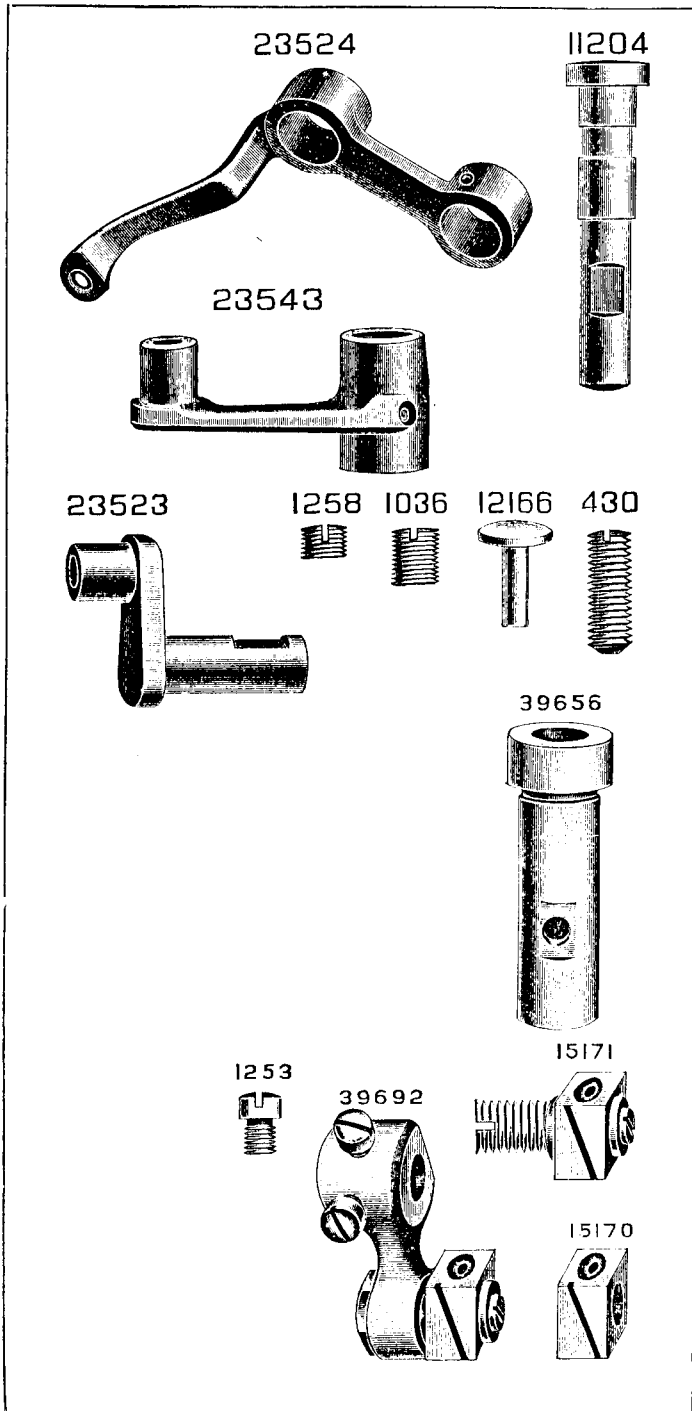


PLATE 4024—FULL SIZE

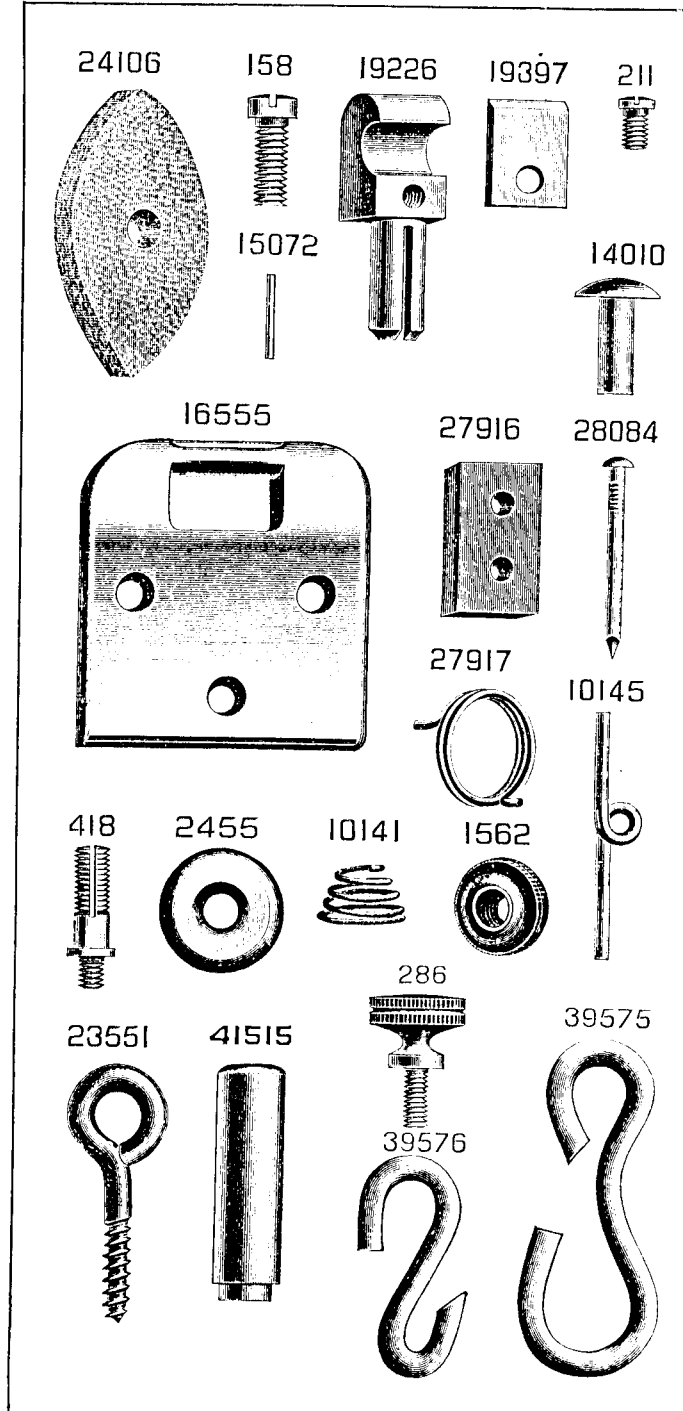


PLATE 4025—FULL SIZE

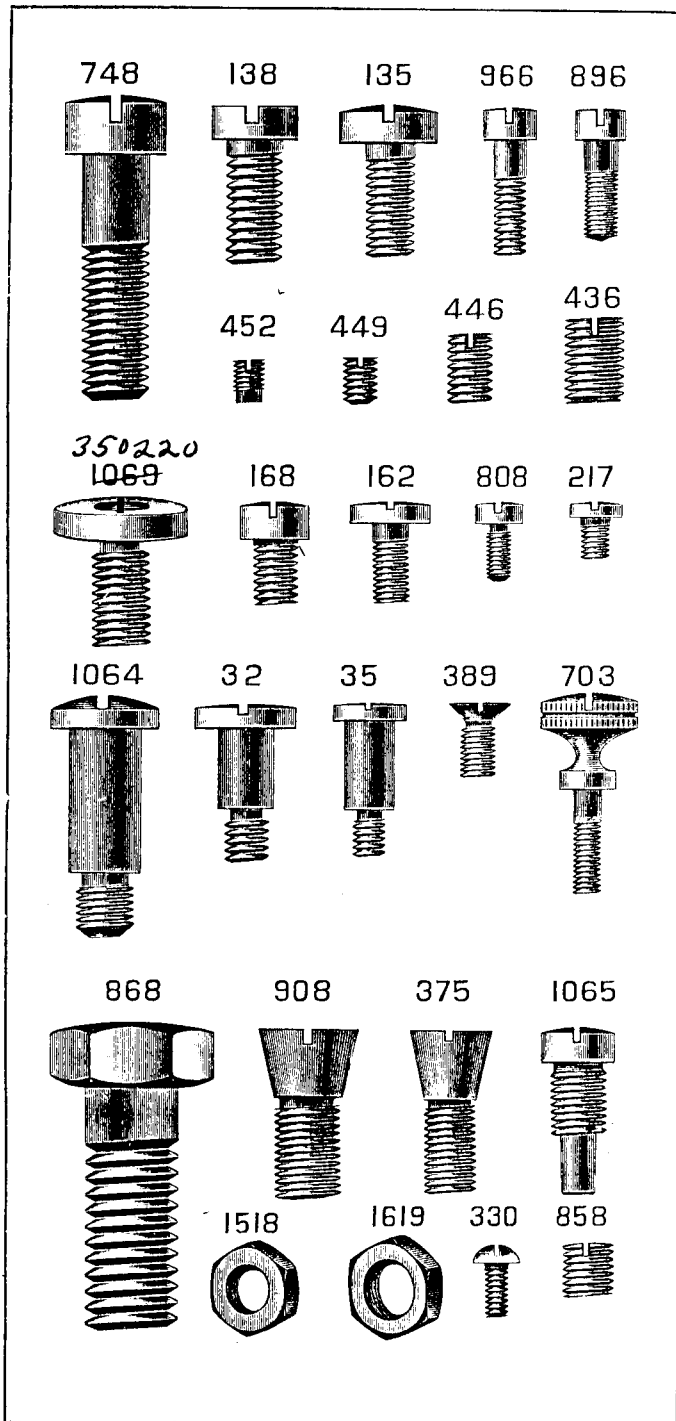


PLATE 4028—ONE-HALF SIZE

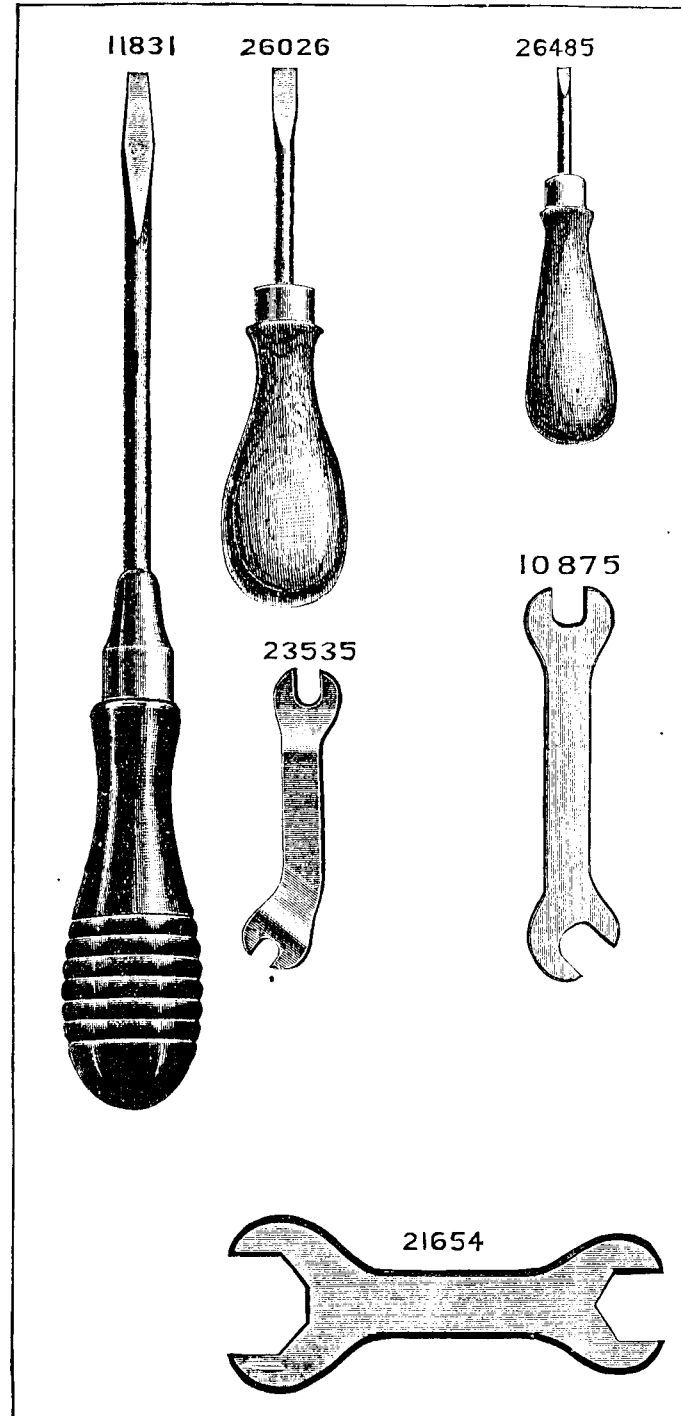


PLATE 4029—ONE-HALF SIZE

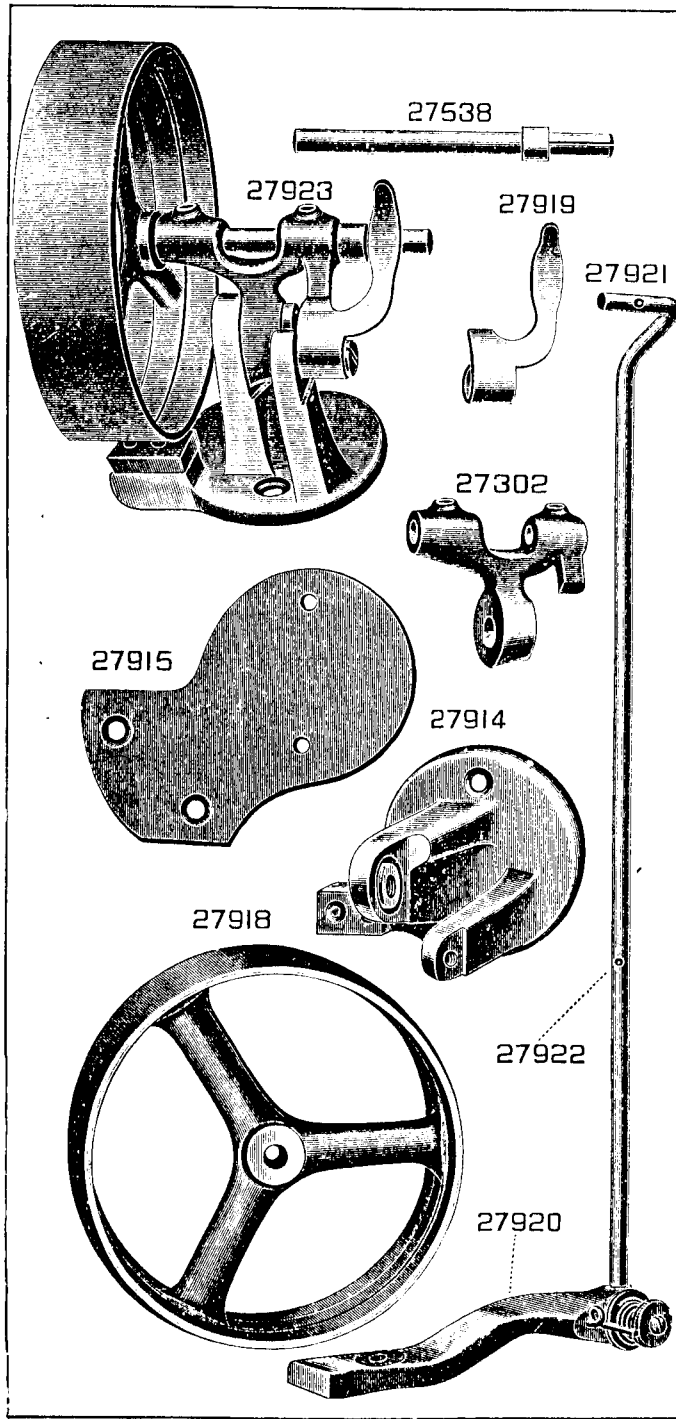


PLATE 4030—ONE-FOURTH SIZE

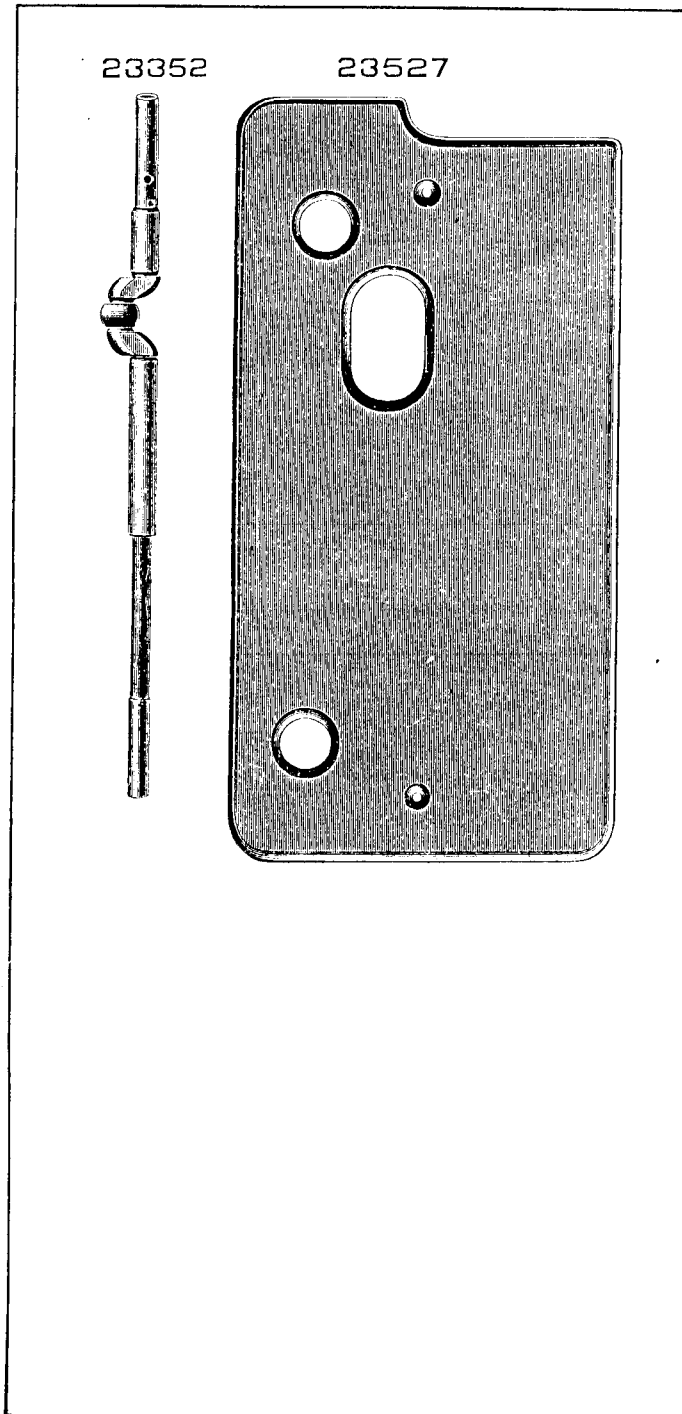


PLATE 4039—ONE-HALF SIZE

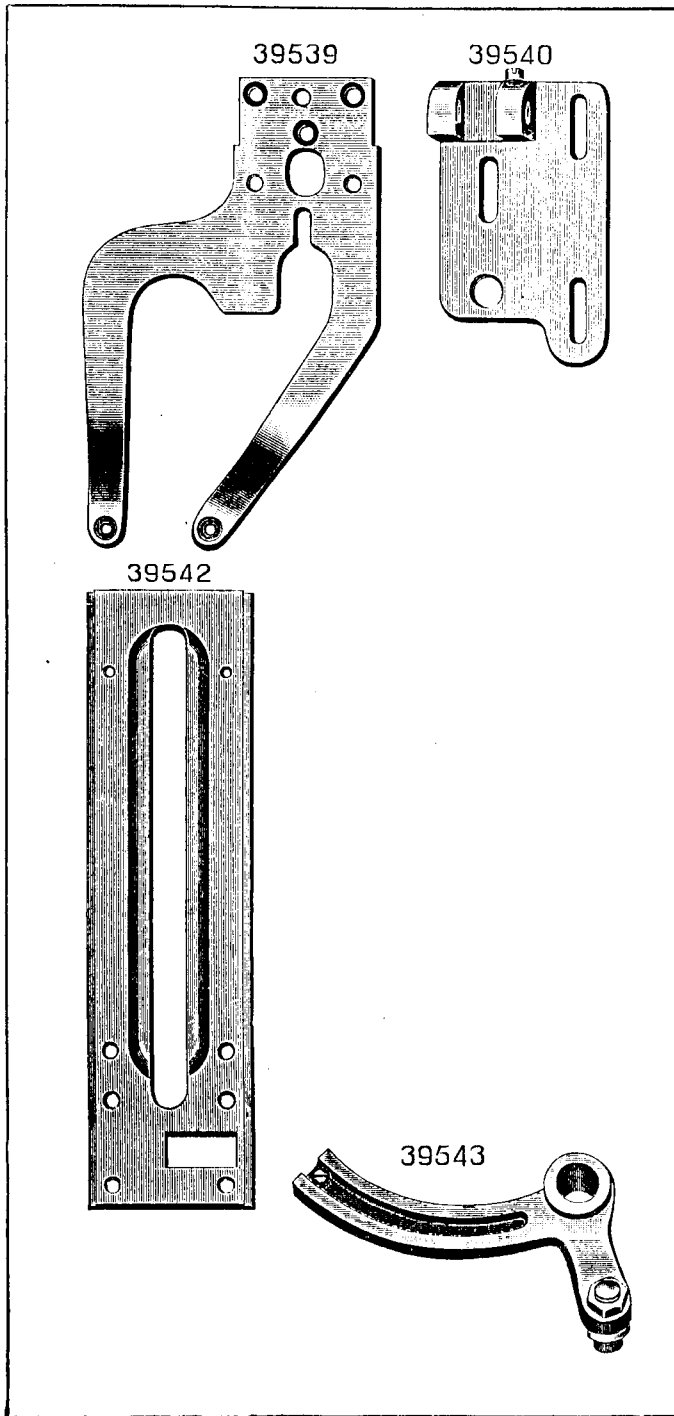


PLATE 4047—ONE-FOURTH SIZE

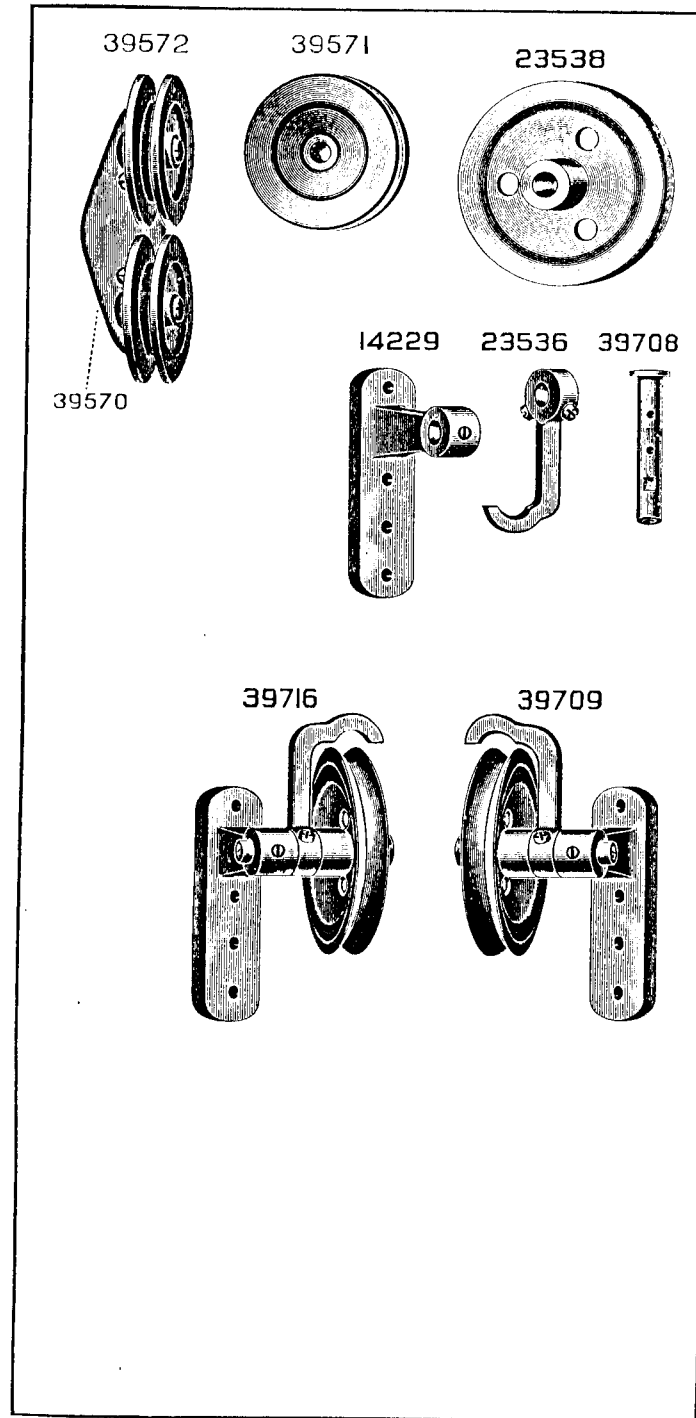


PLATE 4076—FULL SIZE

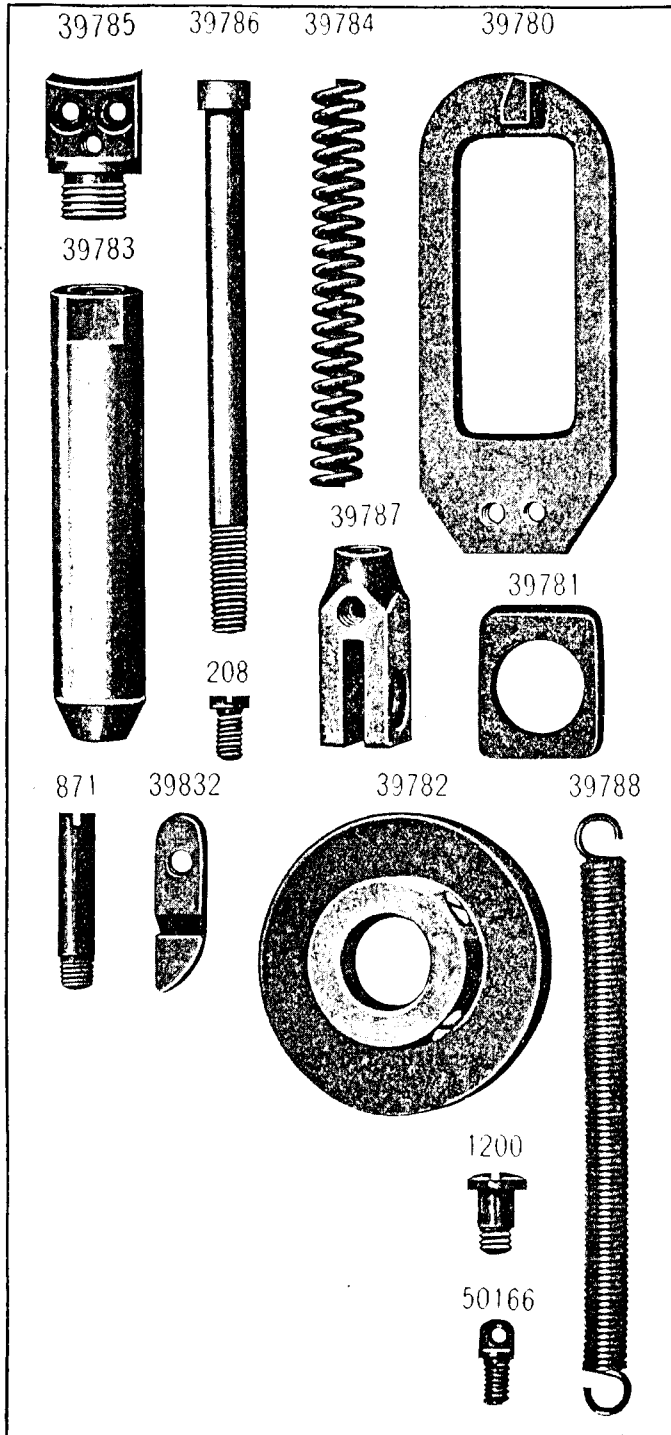


PLATE 4077—FULL SIZE

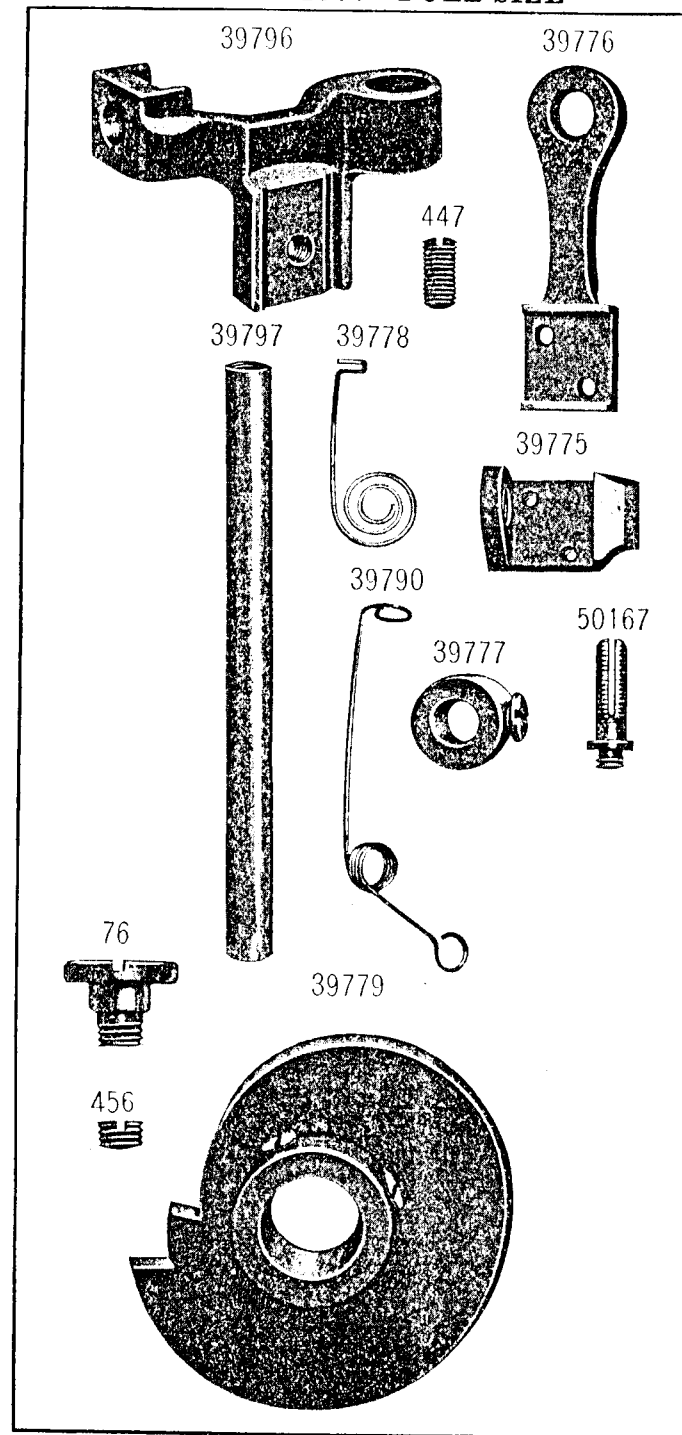


PLATE 4080—ONE-FOURTH SIZE

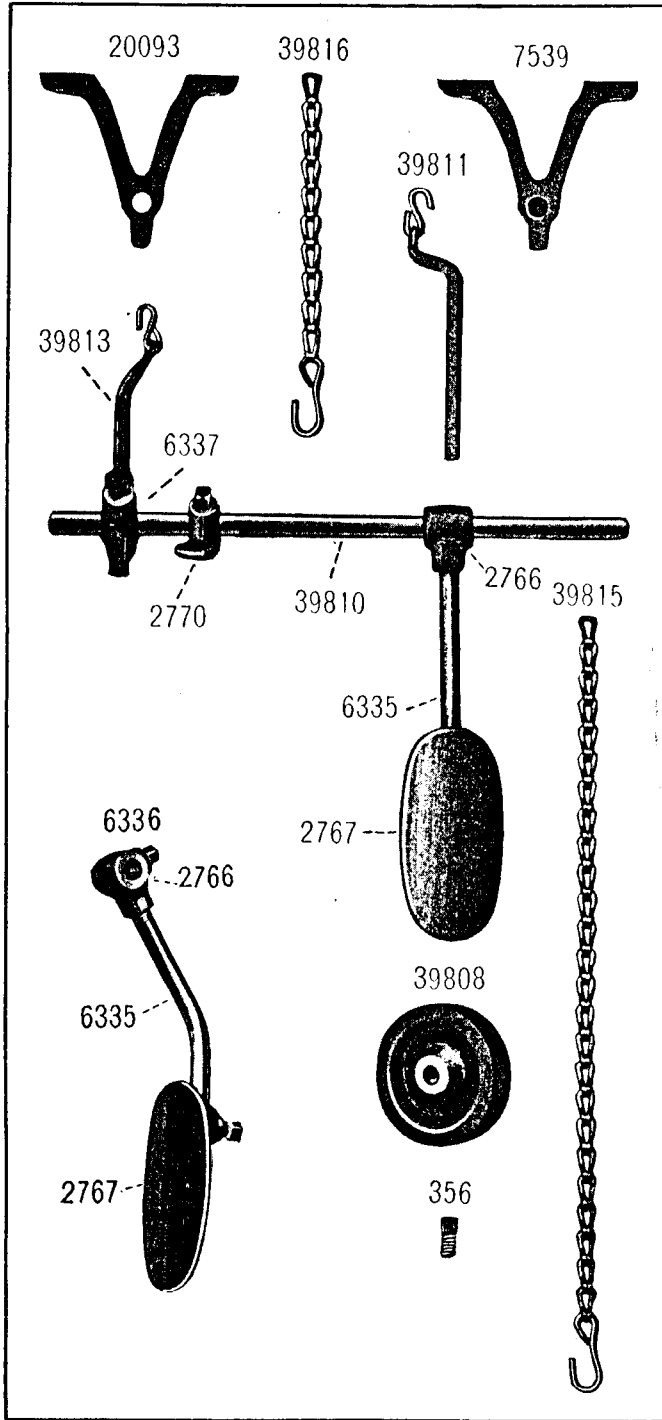


PLATE 4082—ONE-FOURTH SIZE

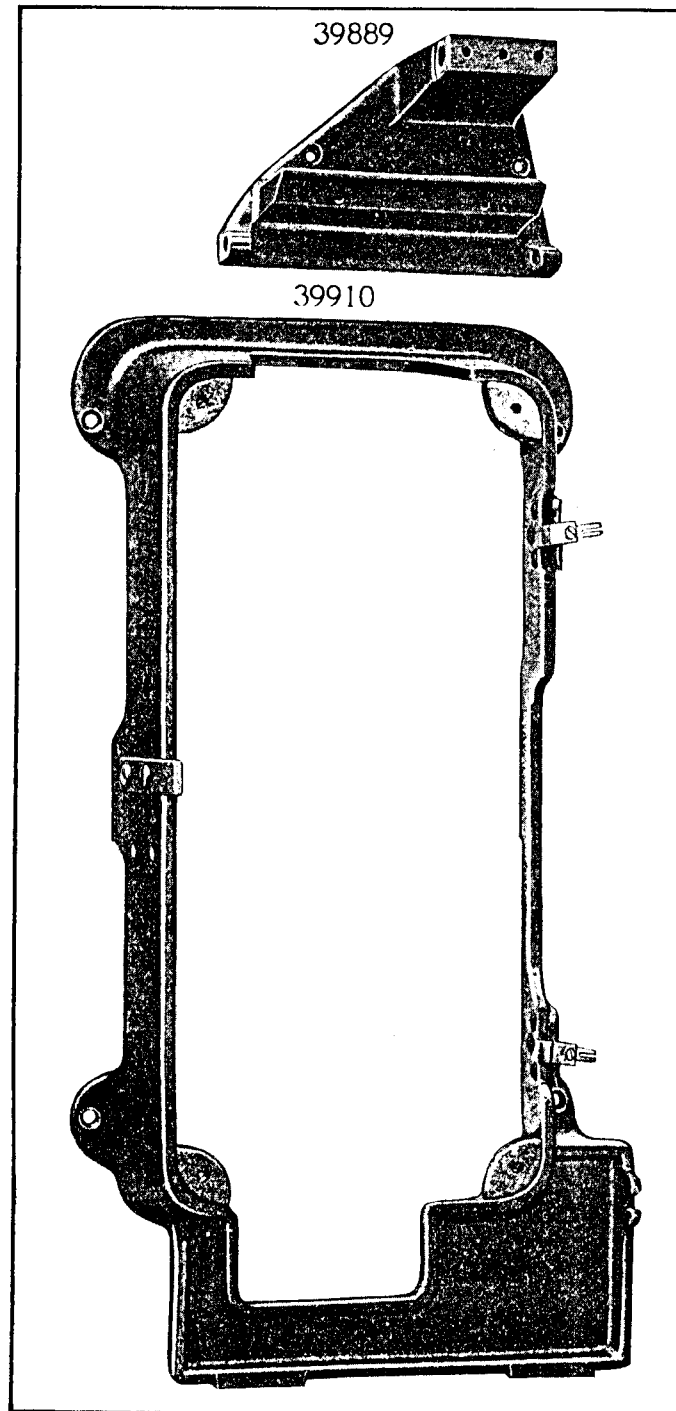


PLATE 4083—FULL SIZE

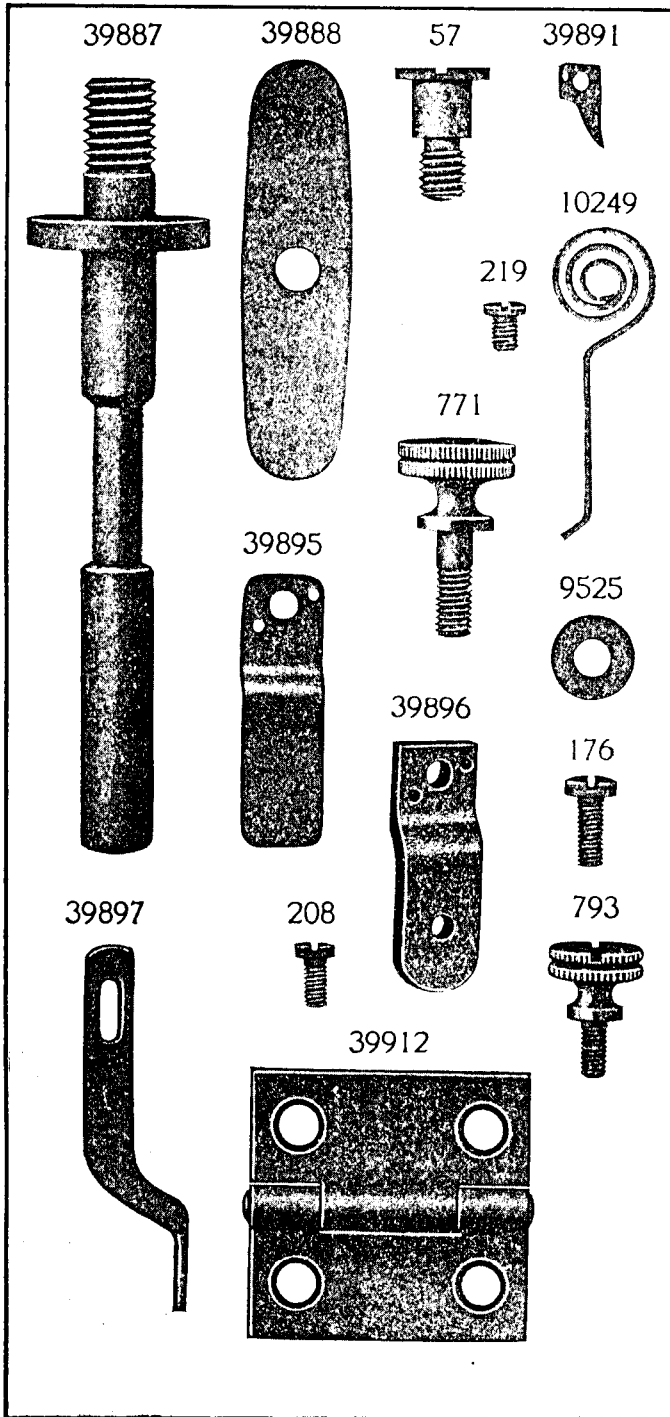


PLATE 4084—ONE-FOURTH SIZE

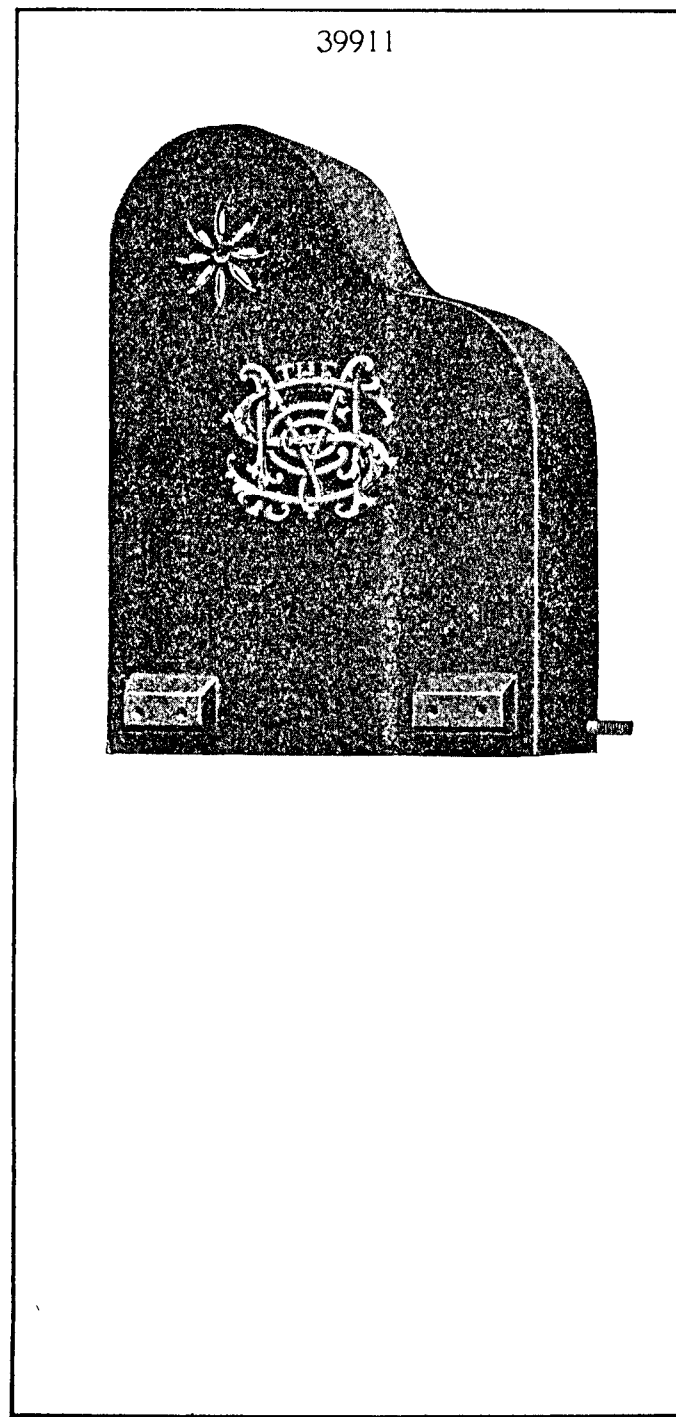
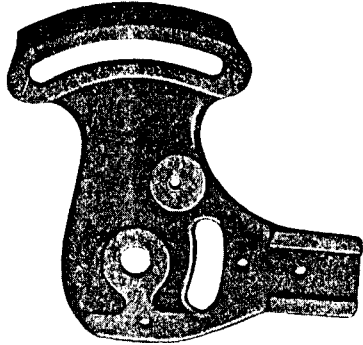


PLATE 4086—ONE-HALF SIZE

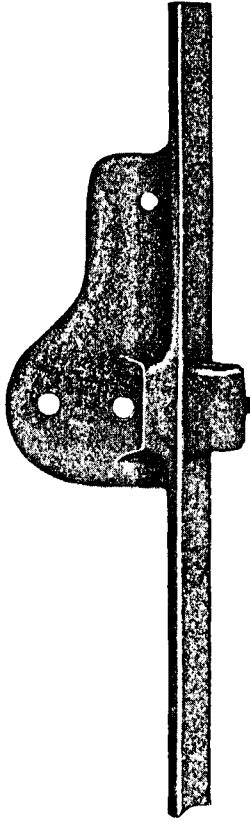
39890



39894



39892



39893



PLATE 4089—FULL SIZE

39857



39773



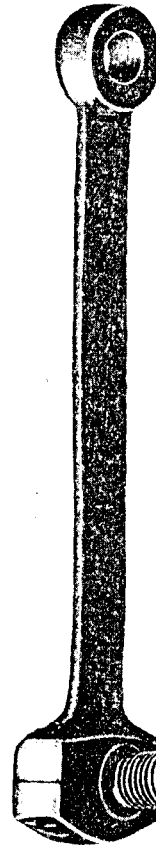
39772



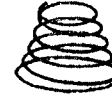
50088



39554



39789



39504



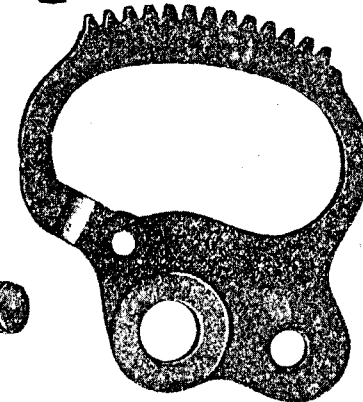
1329



1094



39856



39855

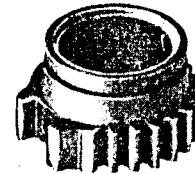
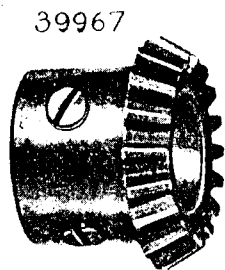
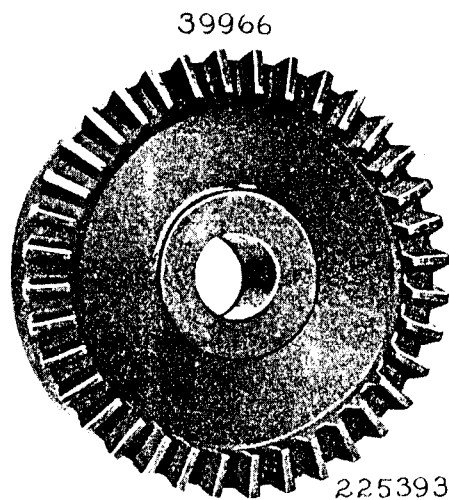


PLATE 4103—FULL SIZE



350076



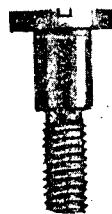
201696



1620



50356



200383



60914

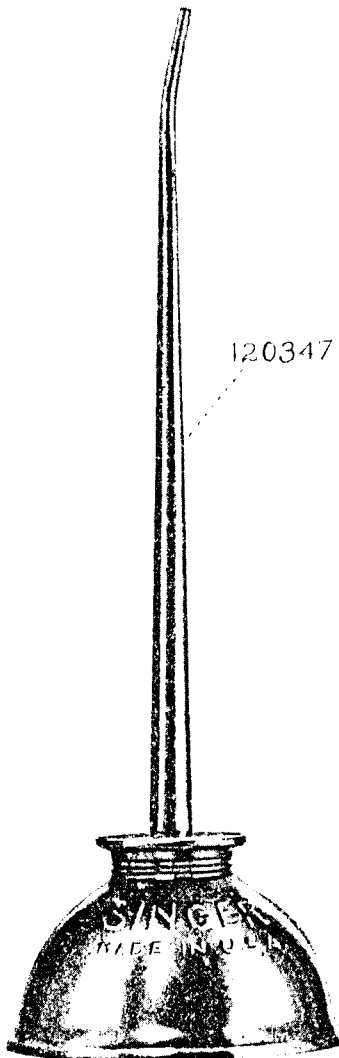


201018



PLATE 4104—ONE-HALF SIZE

120346



120347

PLATE 4105—ONE-HALF SIZE

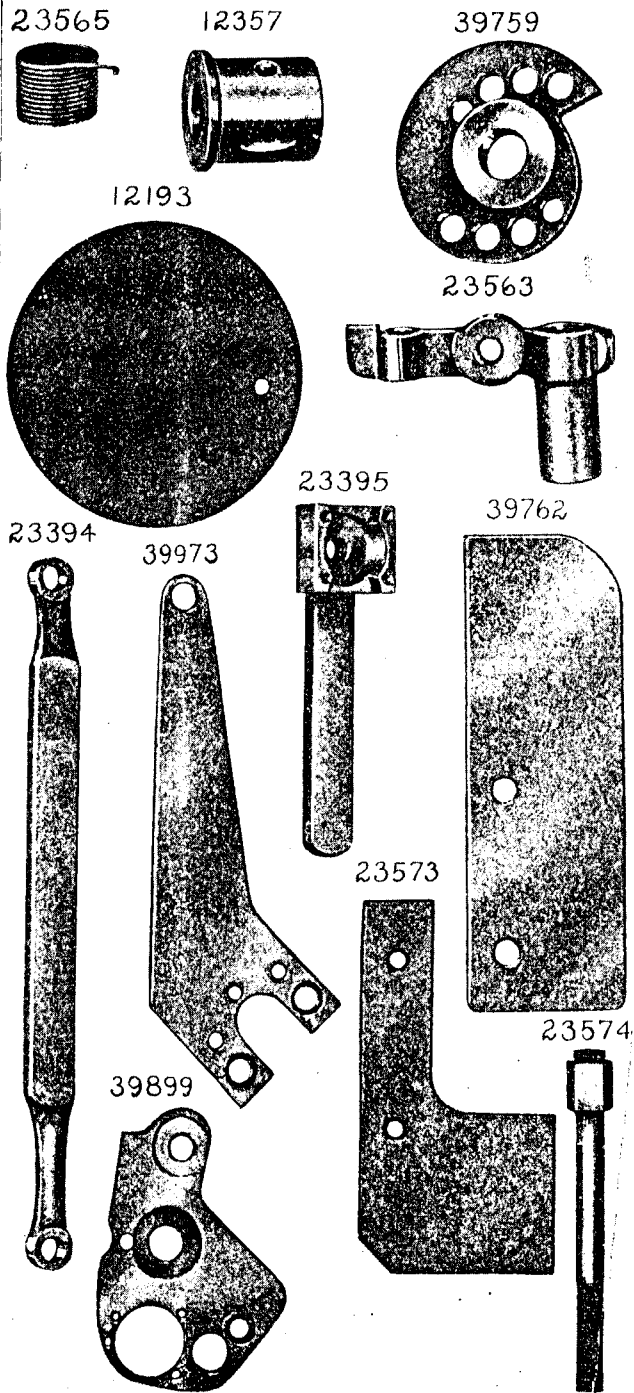


PLATE 4106—FULL SIZE

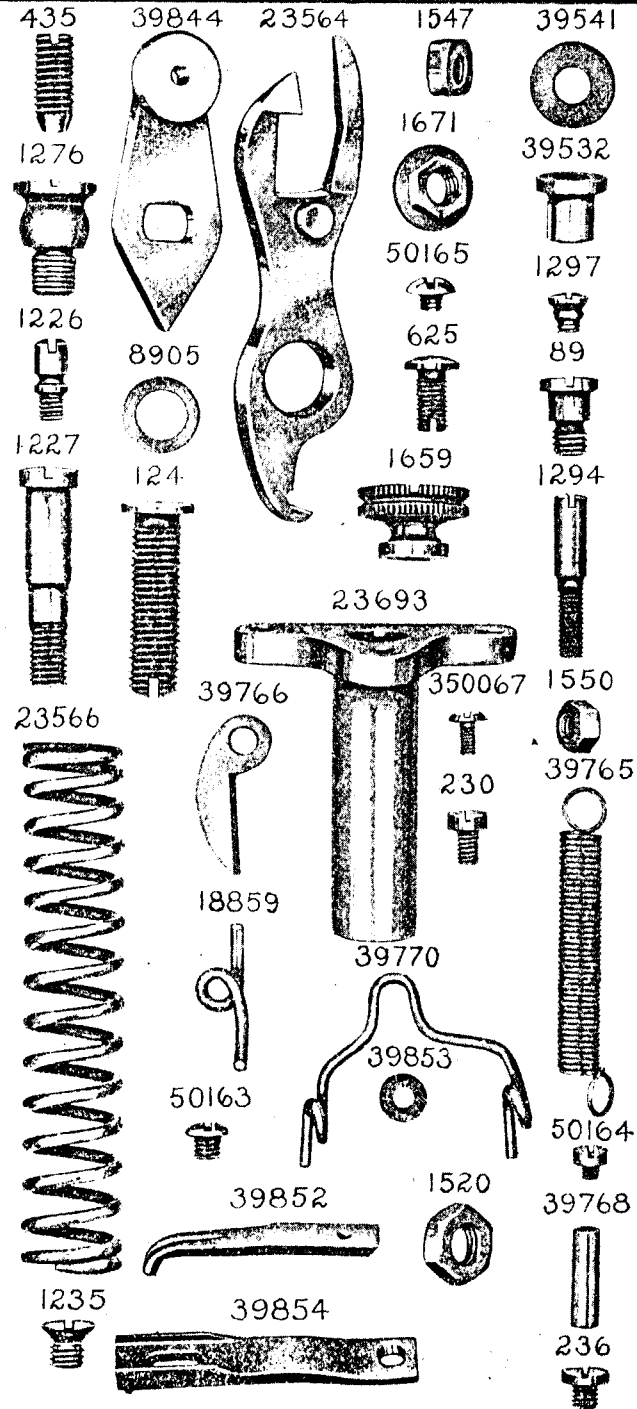


PLATE 4107—ONE-FOURTH SIZE

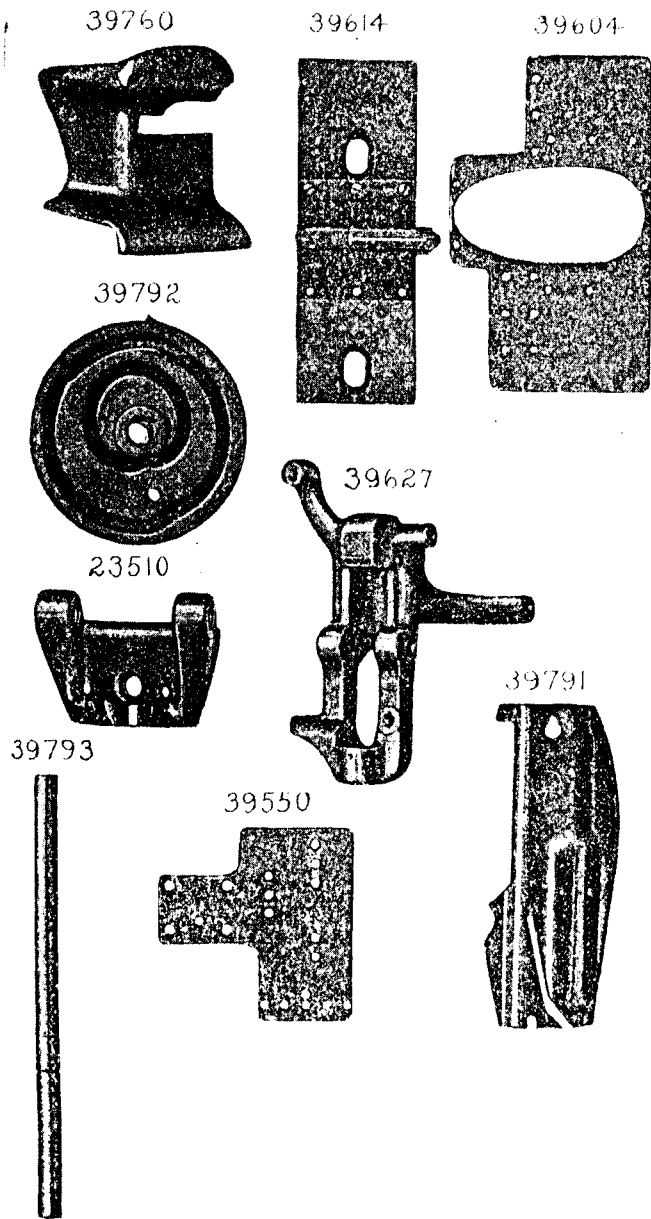


PLATE 4108—ONE-HALF SIZE

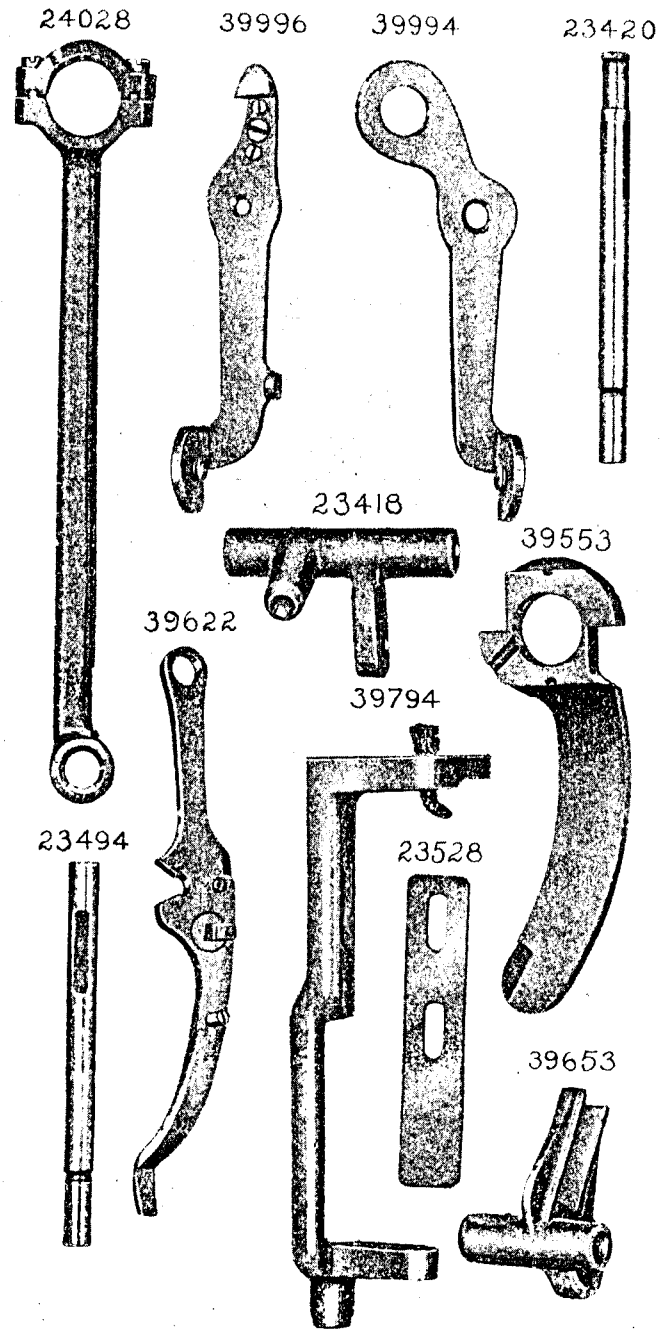


PLATE 4109—FULL SIZE

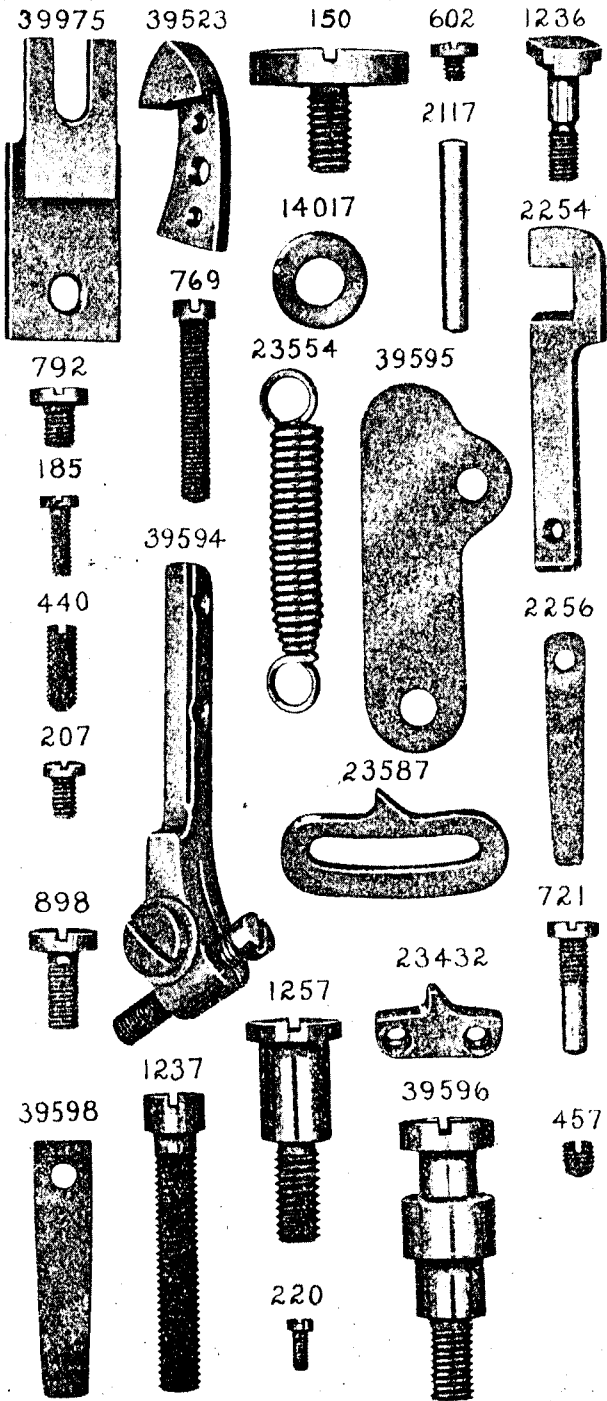


PLATE 4110—FULL SIZE

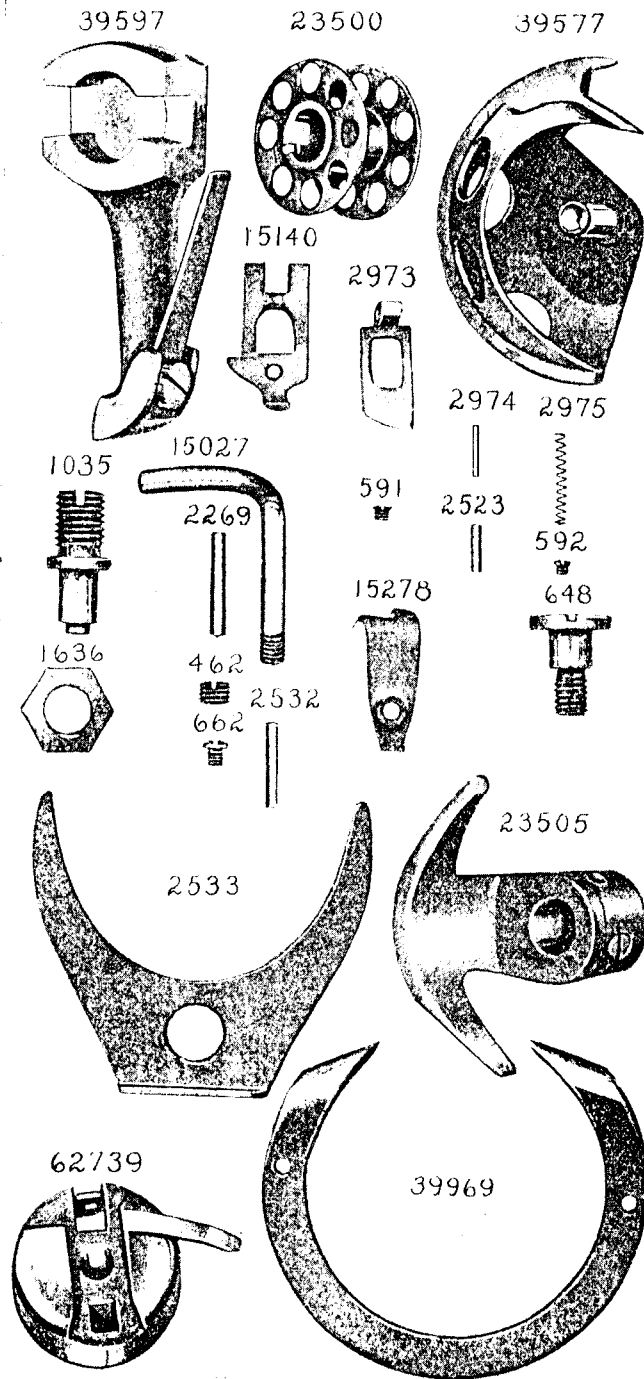
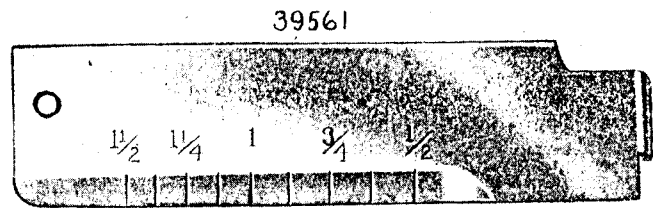


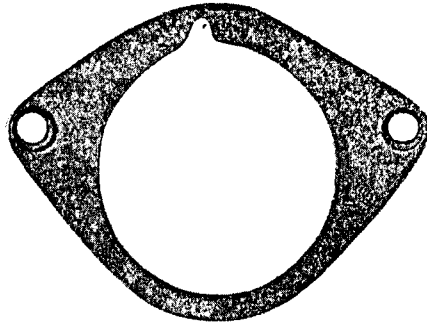
PLATE 4111—FULL SIZE



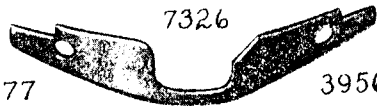
39776



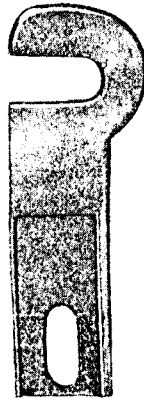
39981



7326



39977



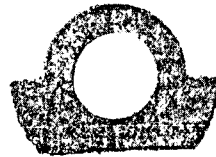
39560



39629



39988



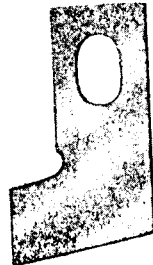
145



158



39829



391



350068

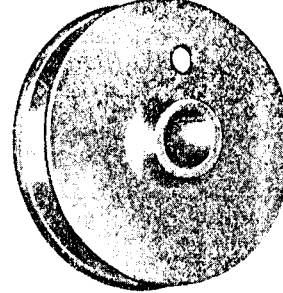


PLATE 4112—ONE-HALF SIZE

39655



23497



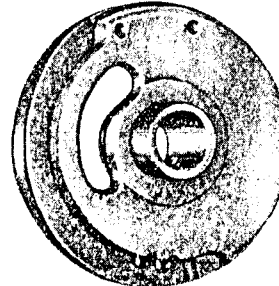
23511



39580



40024



41401



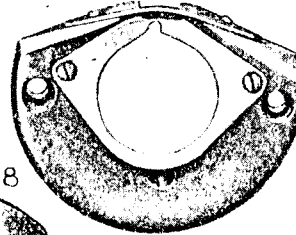
23499



25513



39980



39628



23517

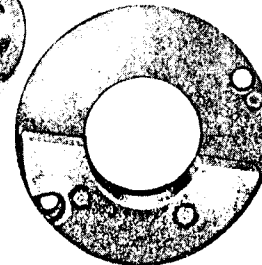


PLATE 11658—FULL SIZE

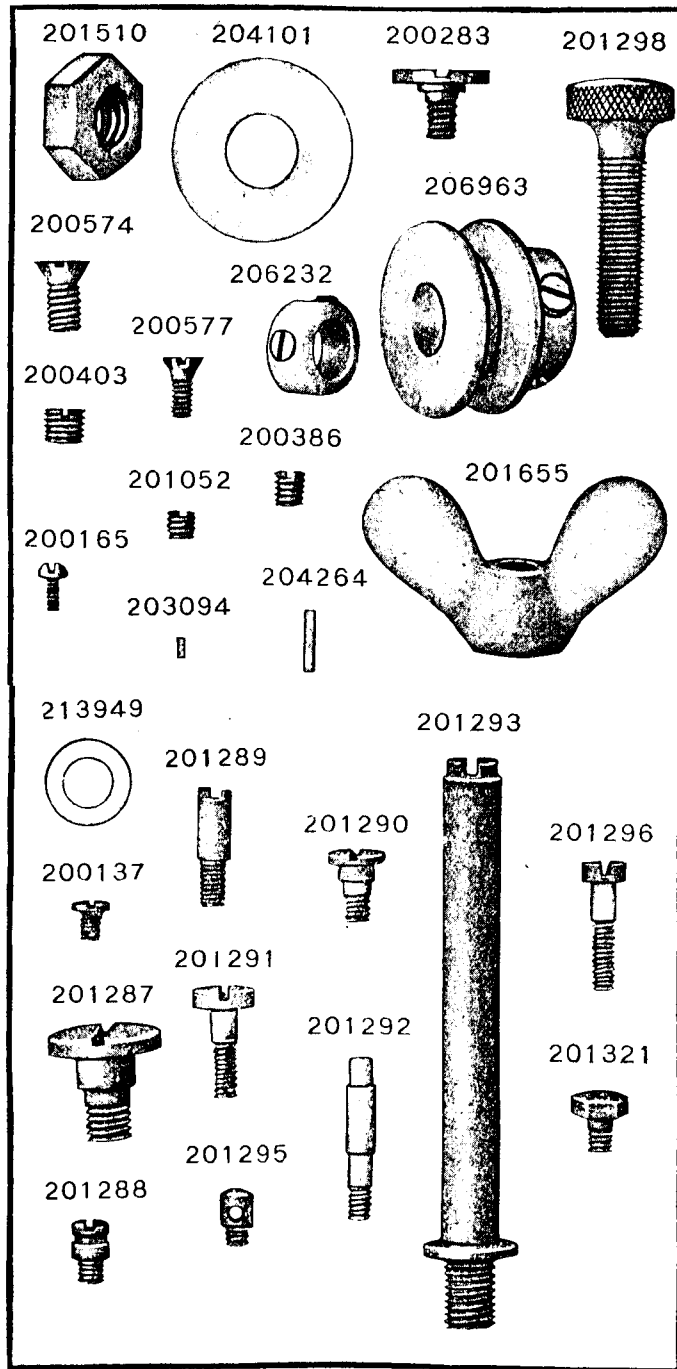


PLATE 14083—ONE-SIXTH SIZE

