

SINGER
19W4

Form 3011w
(950)
Printed in U. S. A.

SHOP COPY

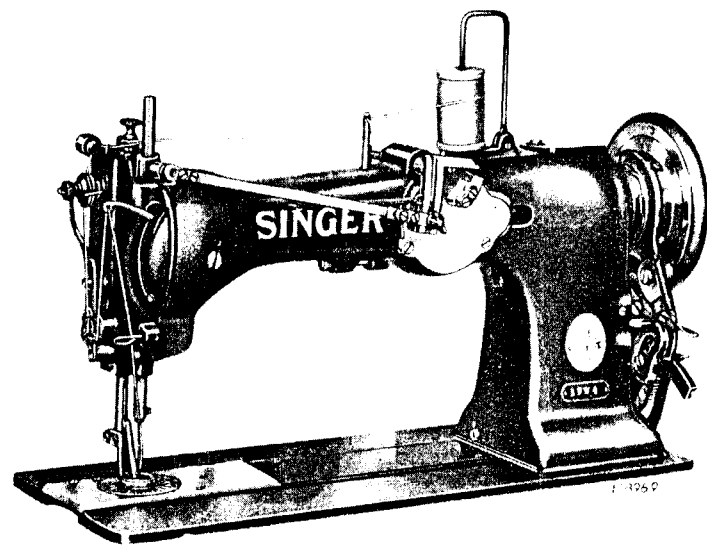
SINGER**

19w4



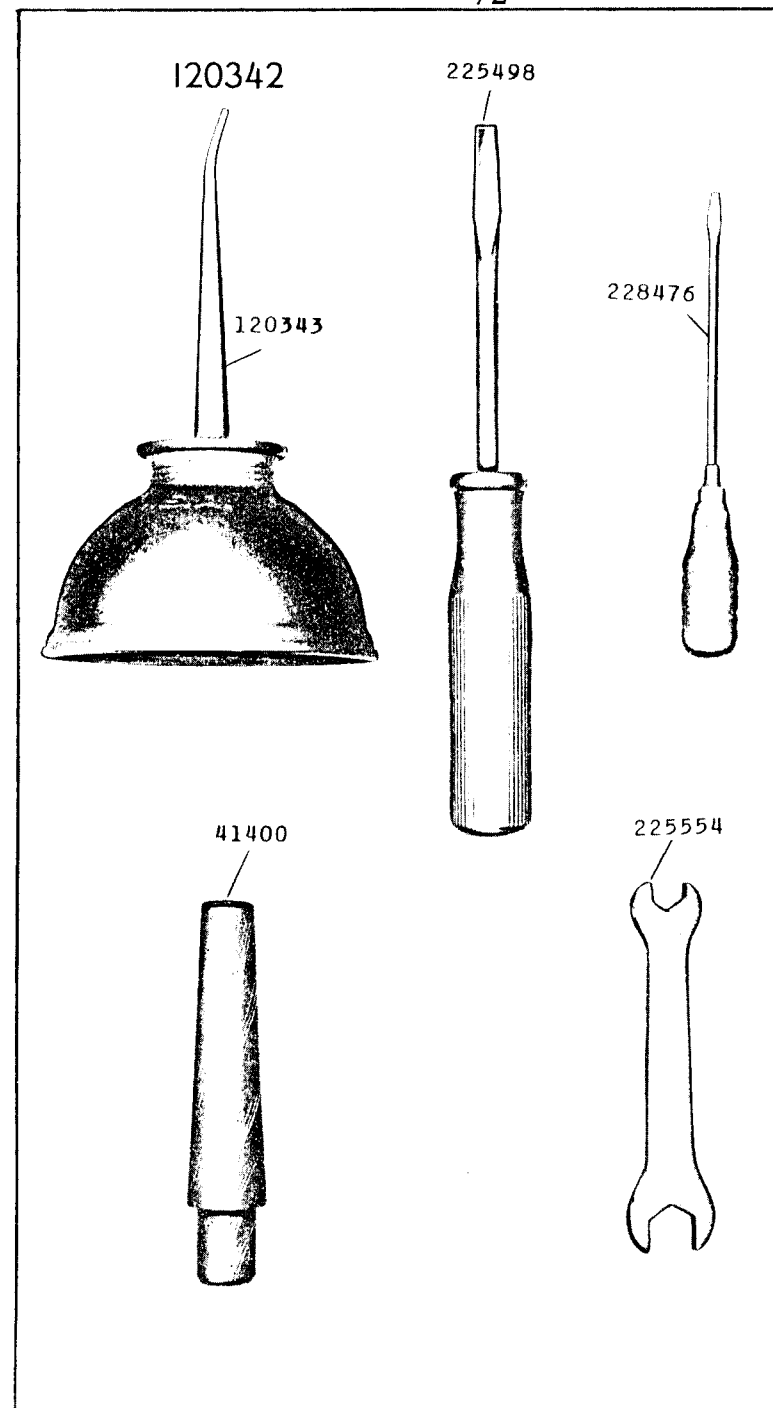
** A TRADE MARK OF

THE SINGER MANUFACTURING COMPANY



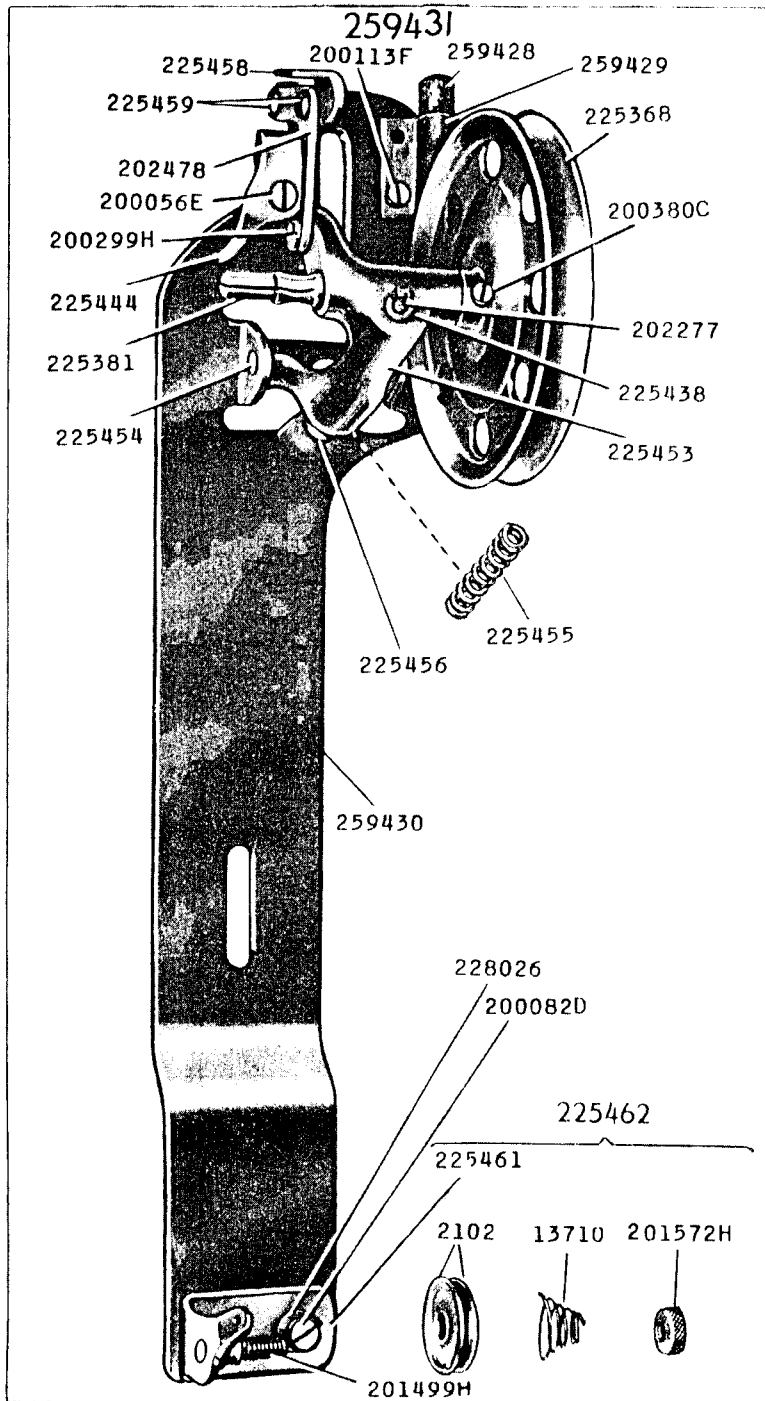
Copyright, U. S. A., 1939, 1940, 1941 and 1951,
by The Singer Manufacturing Company
All Rights Reserved for All Countries

13067 - 1/2

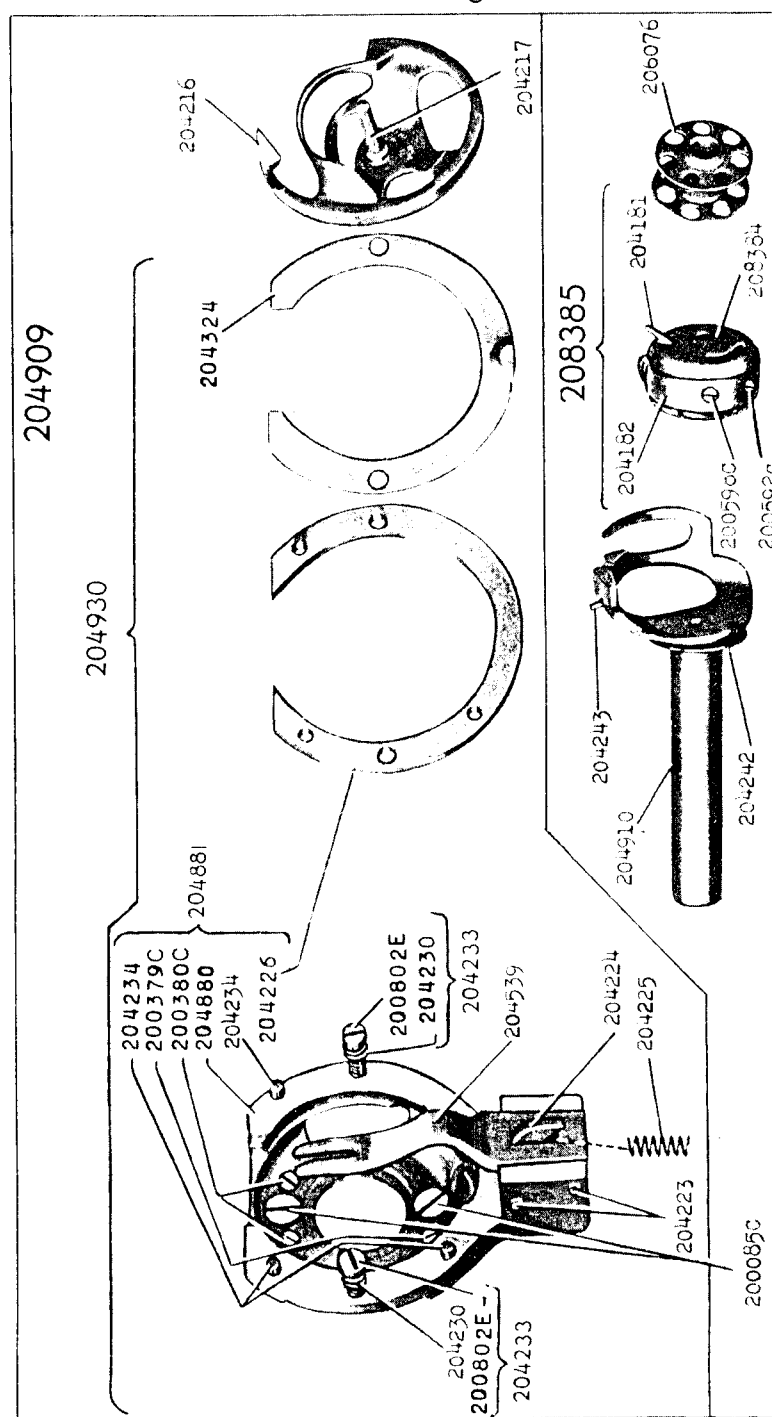


16615 - 1/2

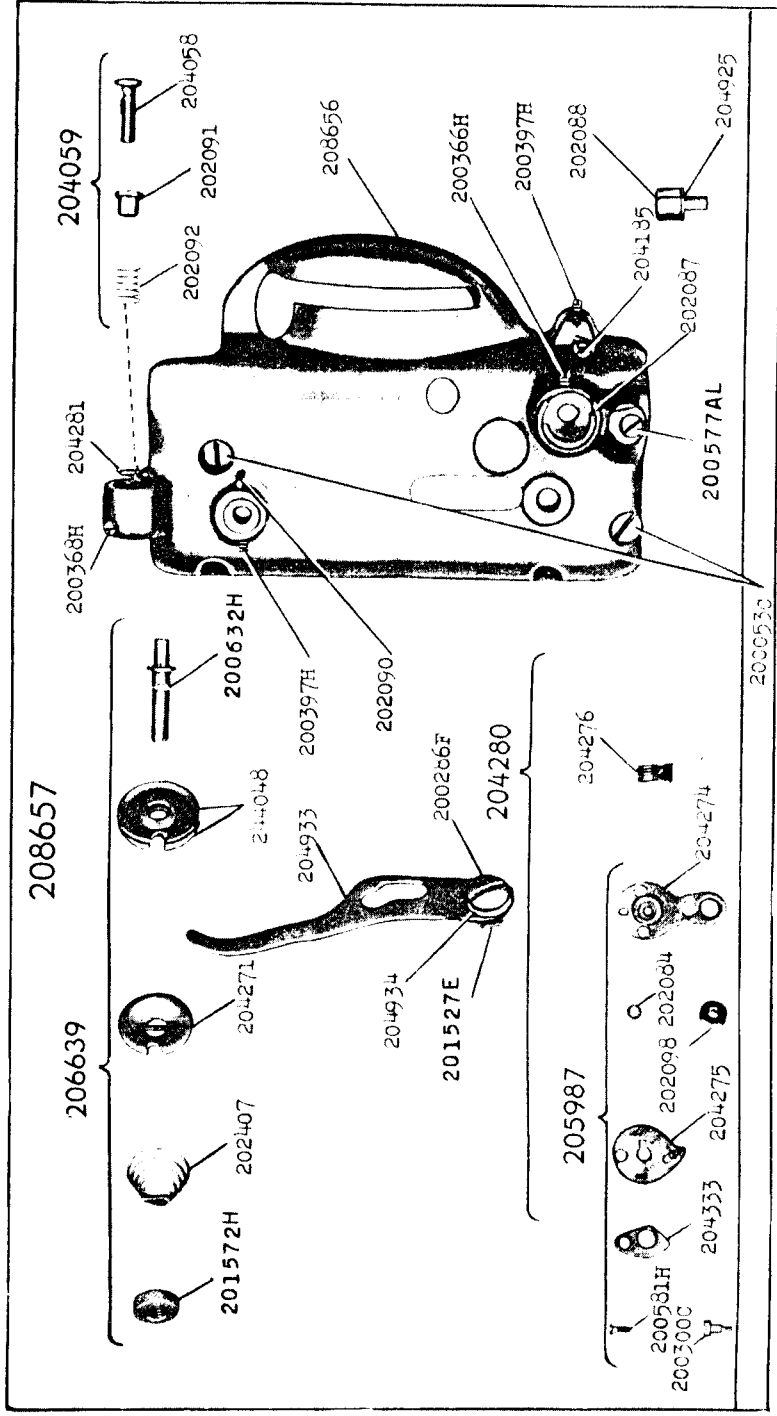
259431



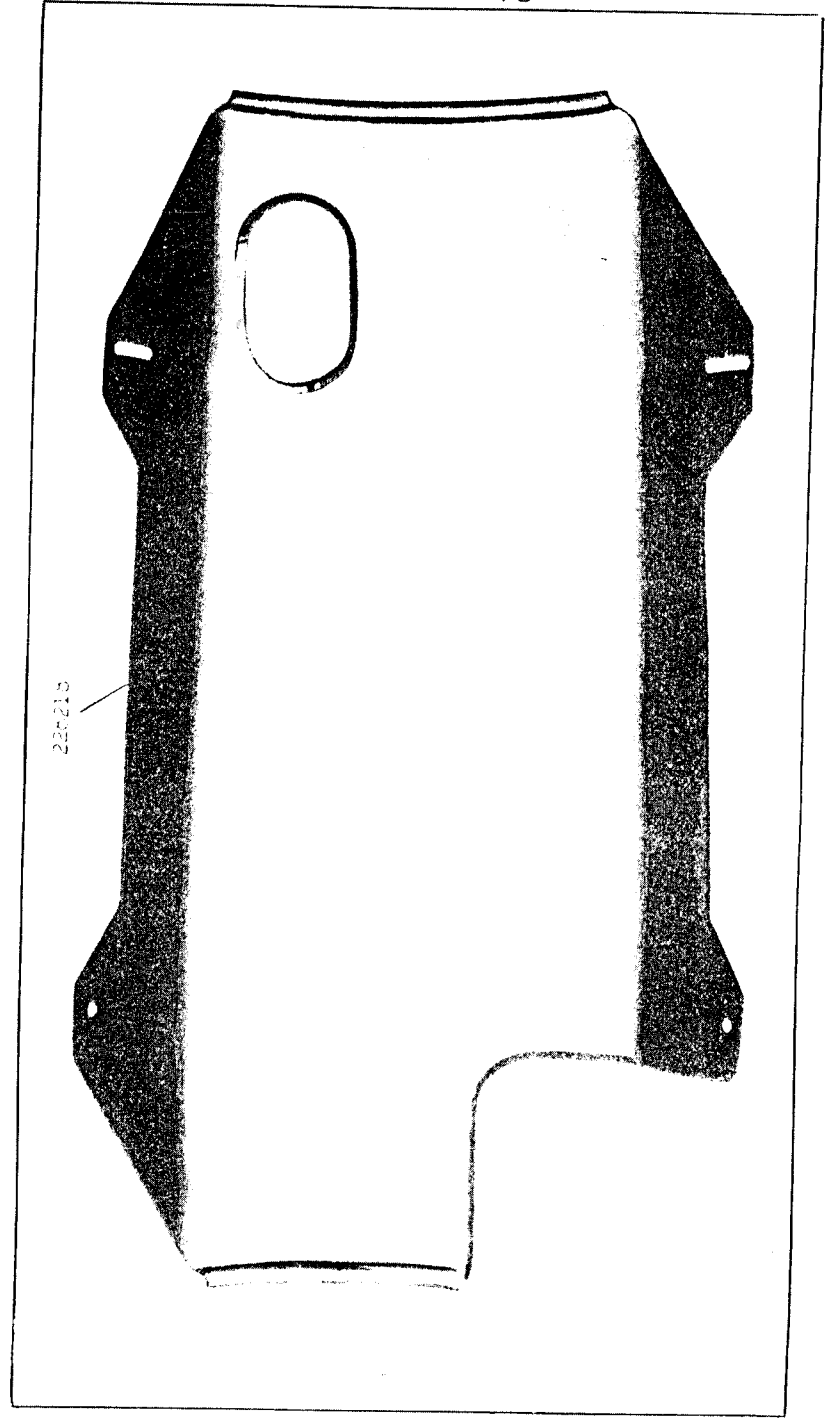
17578 - 5/8



17581 - 1/2

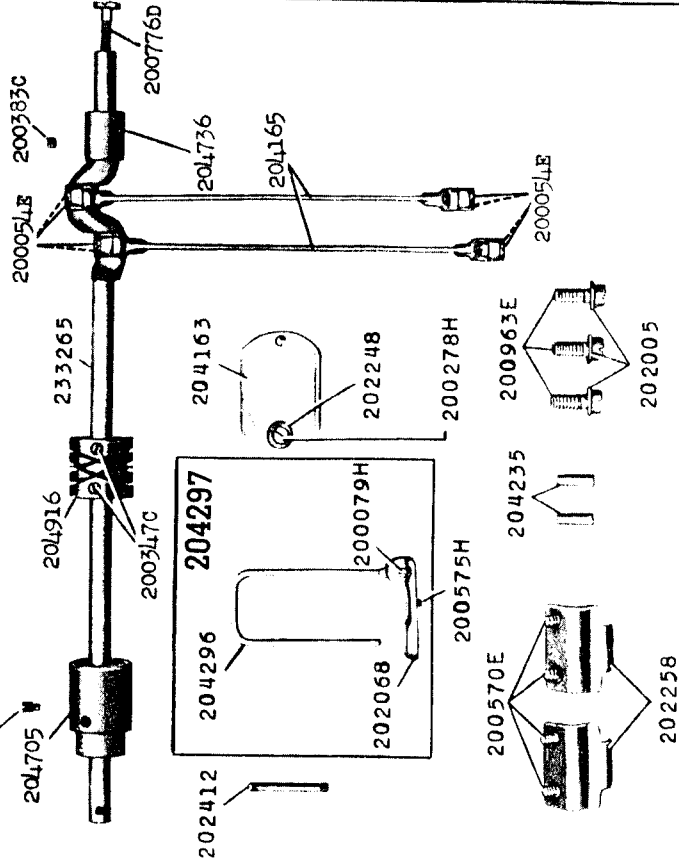
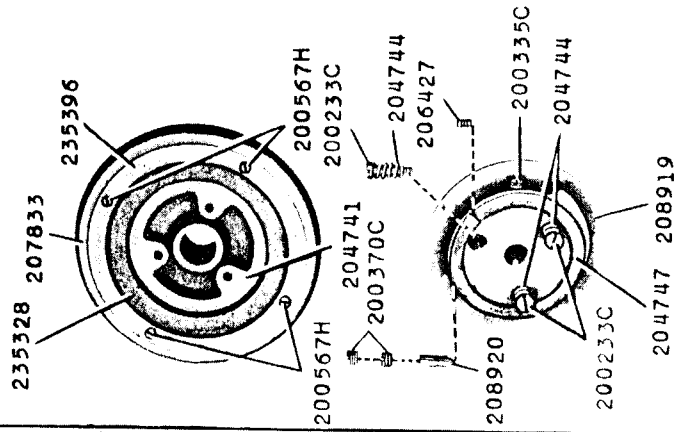


17584 - 3/8



17585-1/4

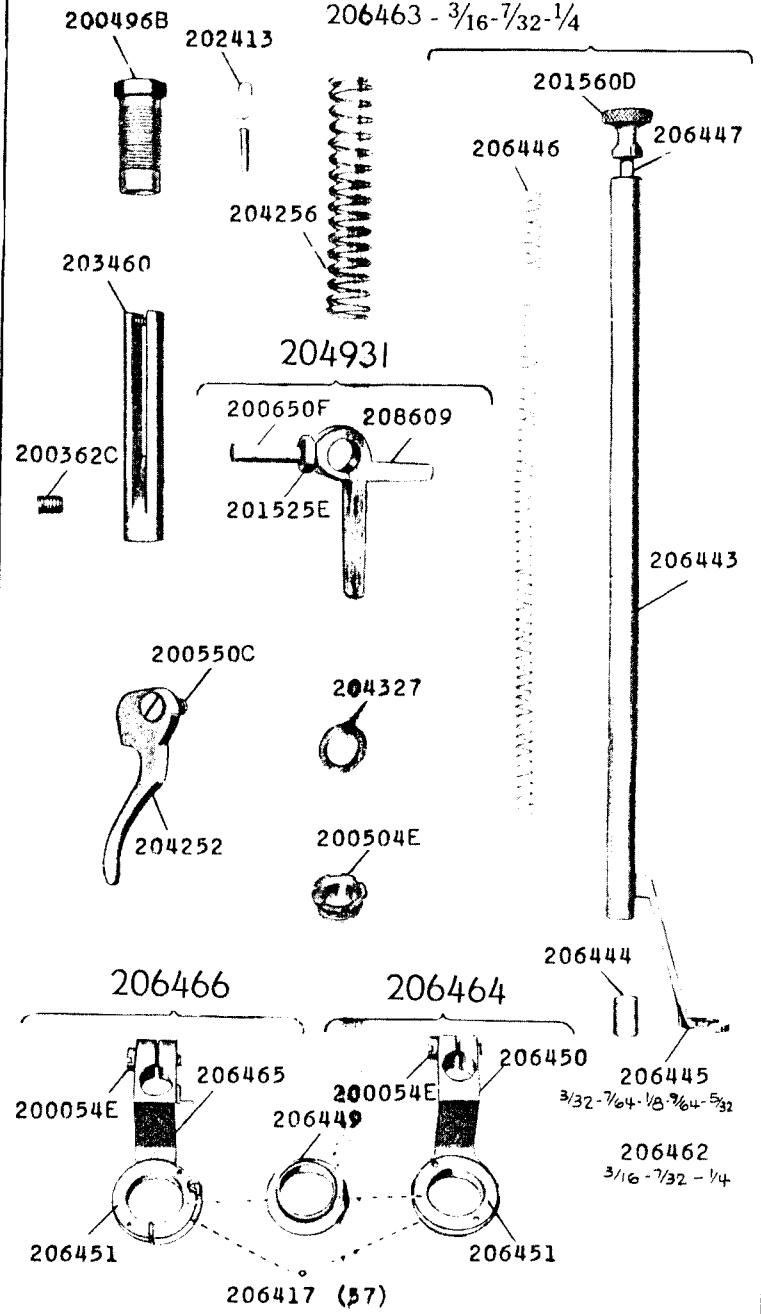
208918



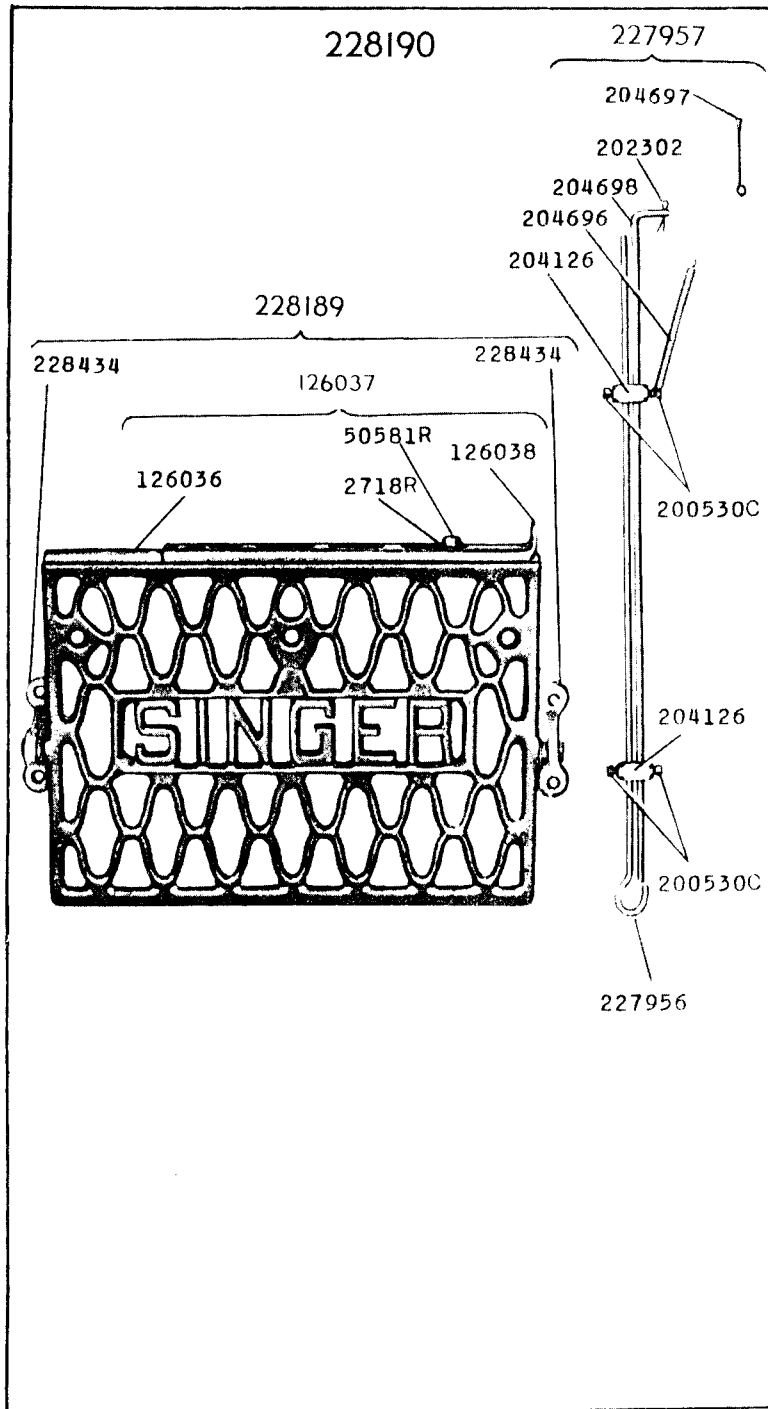
17589 - 1/2

206448 - 3/32-7/64-1/8-9/64-5/32

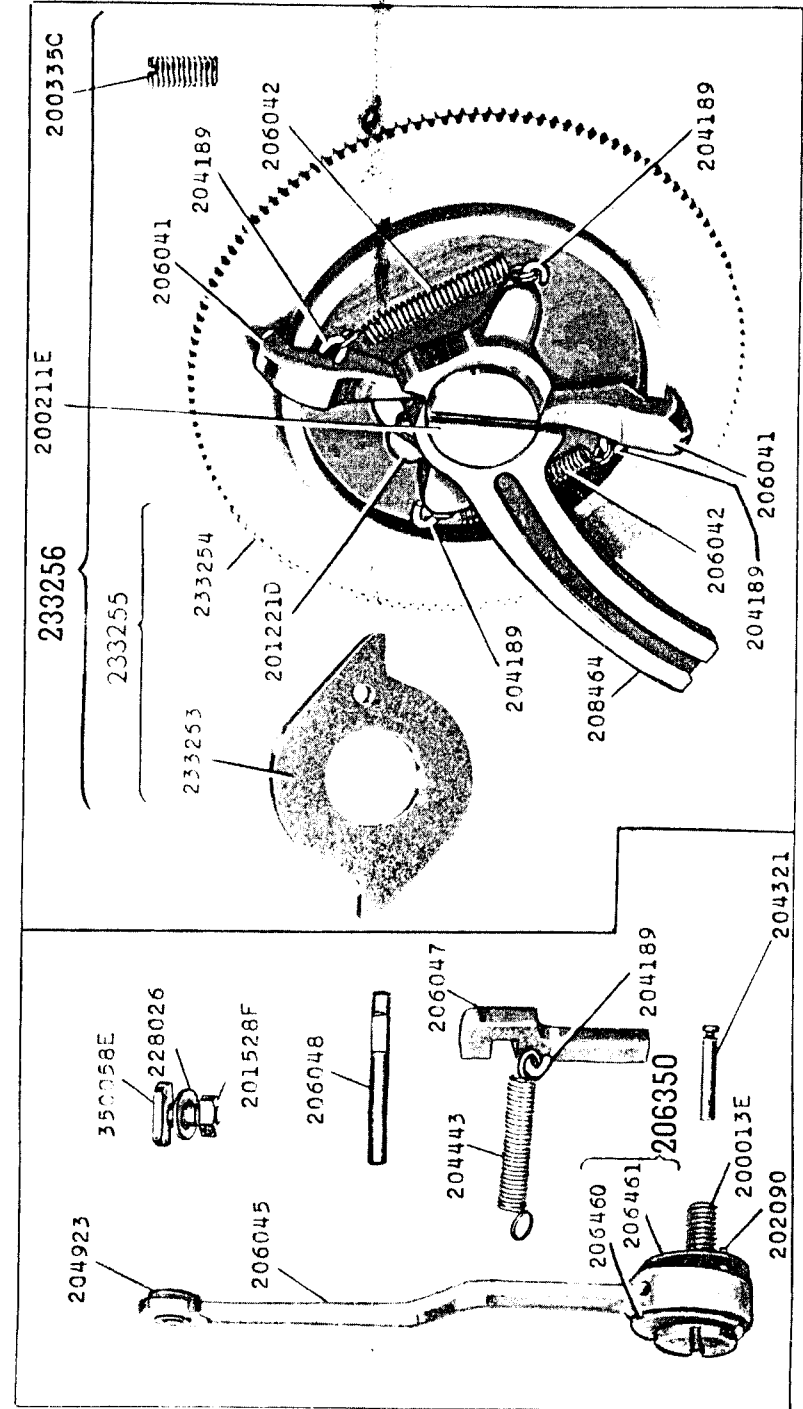
206463 - 3/16-7/32-1/4



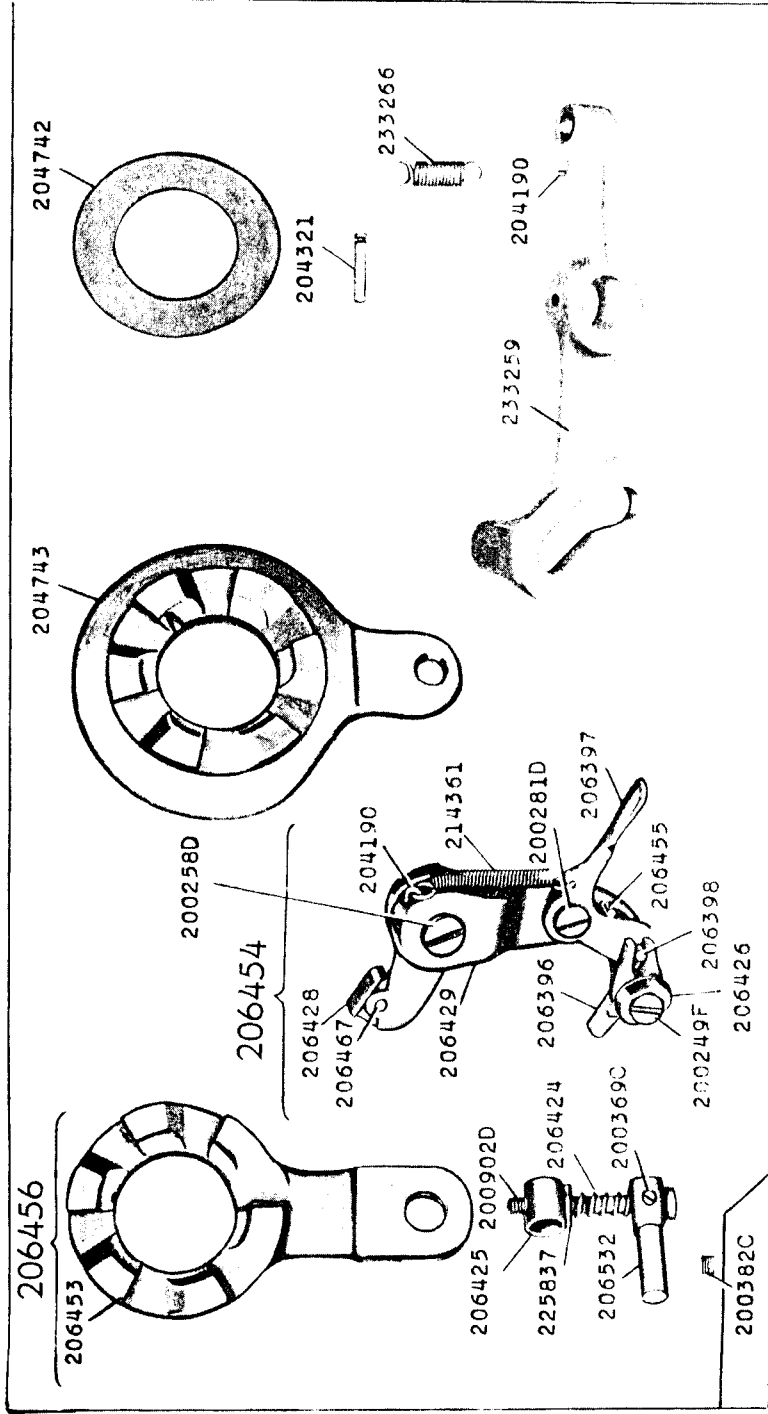
17591 - 1/6



17596 - 2/3



17597 - 1/2



17598 - 3/8

