

**SINGER**  
**99W124**

Form 2569w

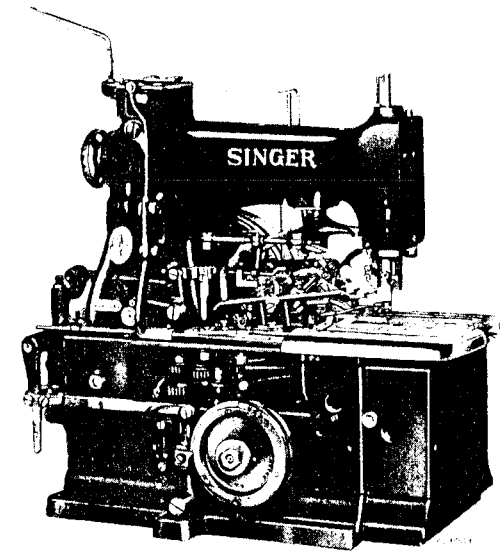
( 940 )

Printed in U. S. A.

*Lock Cabinet*

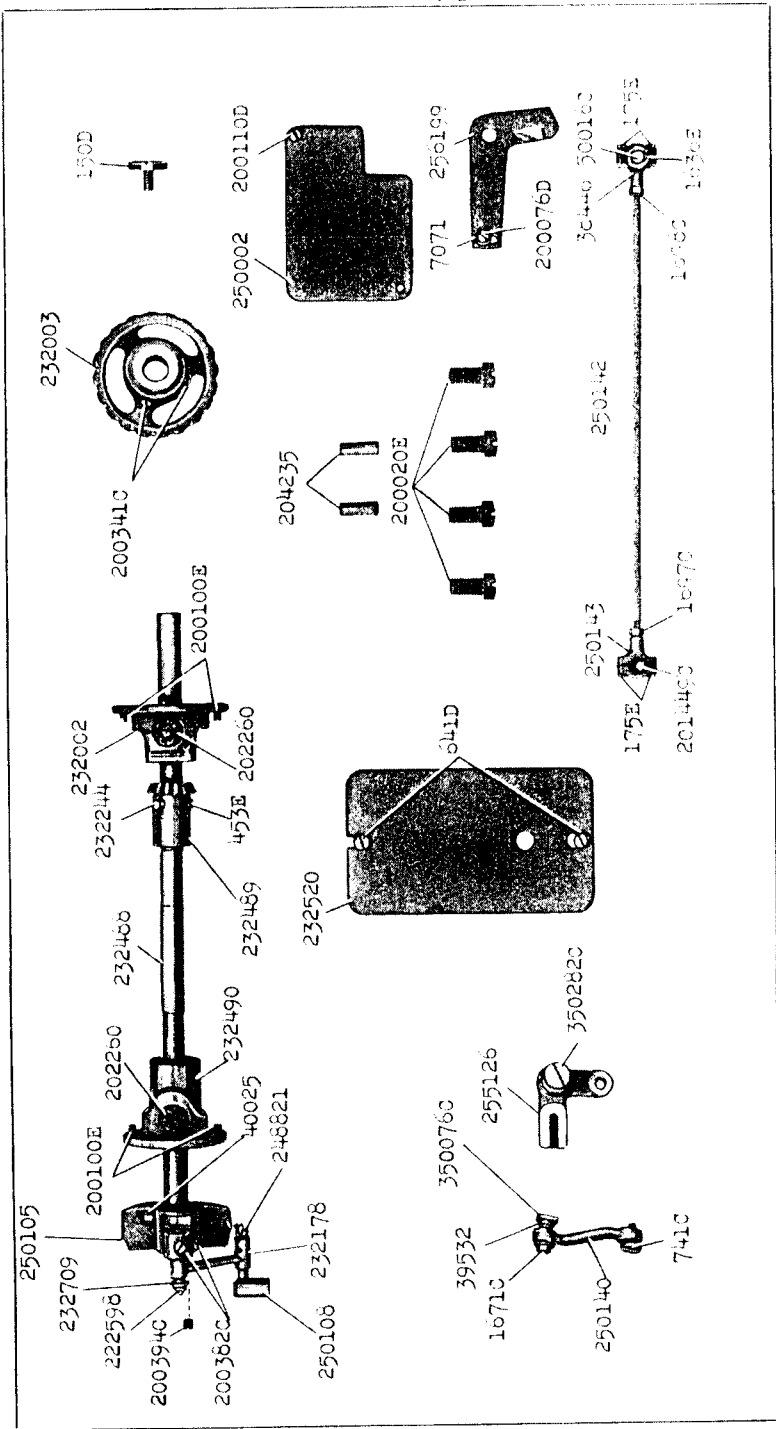
# SINGER

## 99w 124

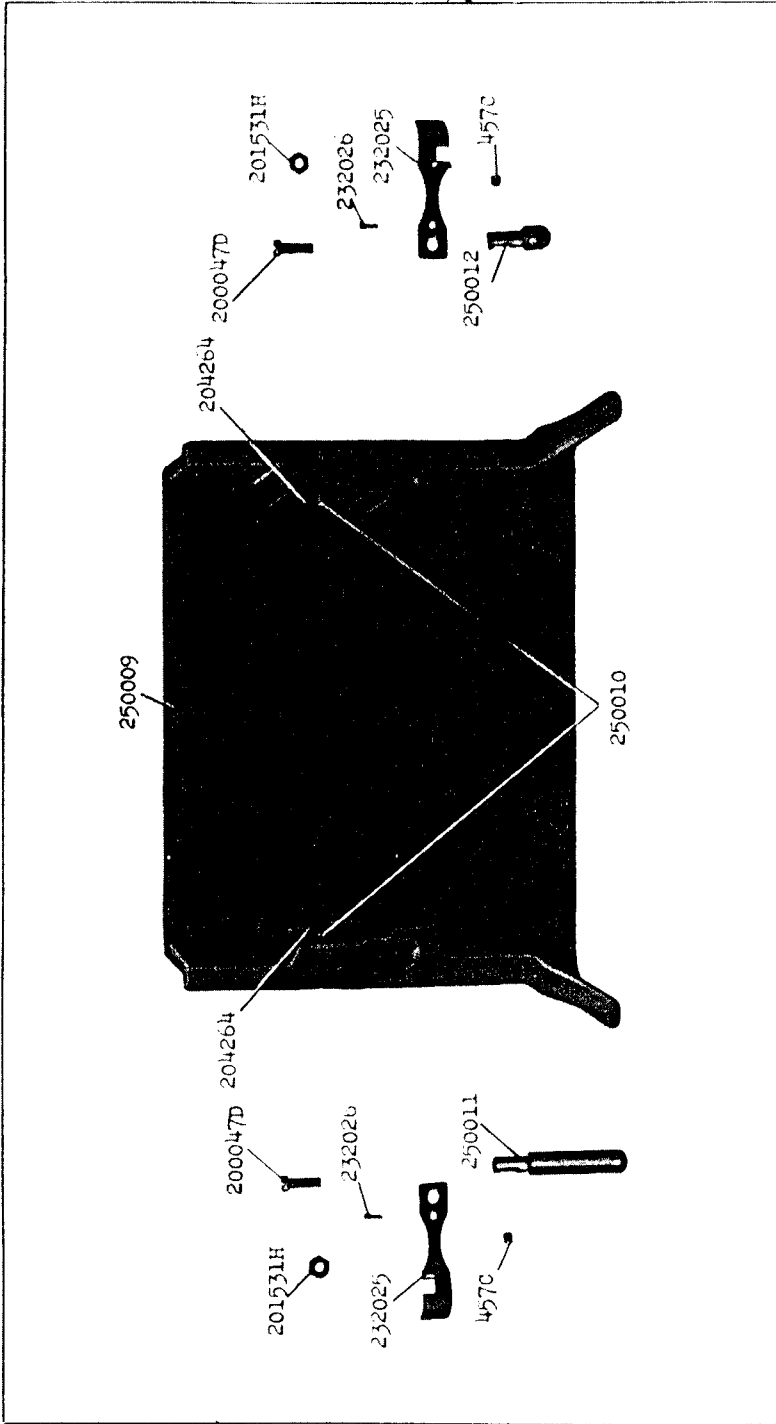


Copyright, U. S. A., 1938, 1939 and 1940  
by The Singer Manufacturing Co.  
All Rights Reserved for all Countries

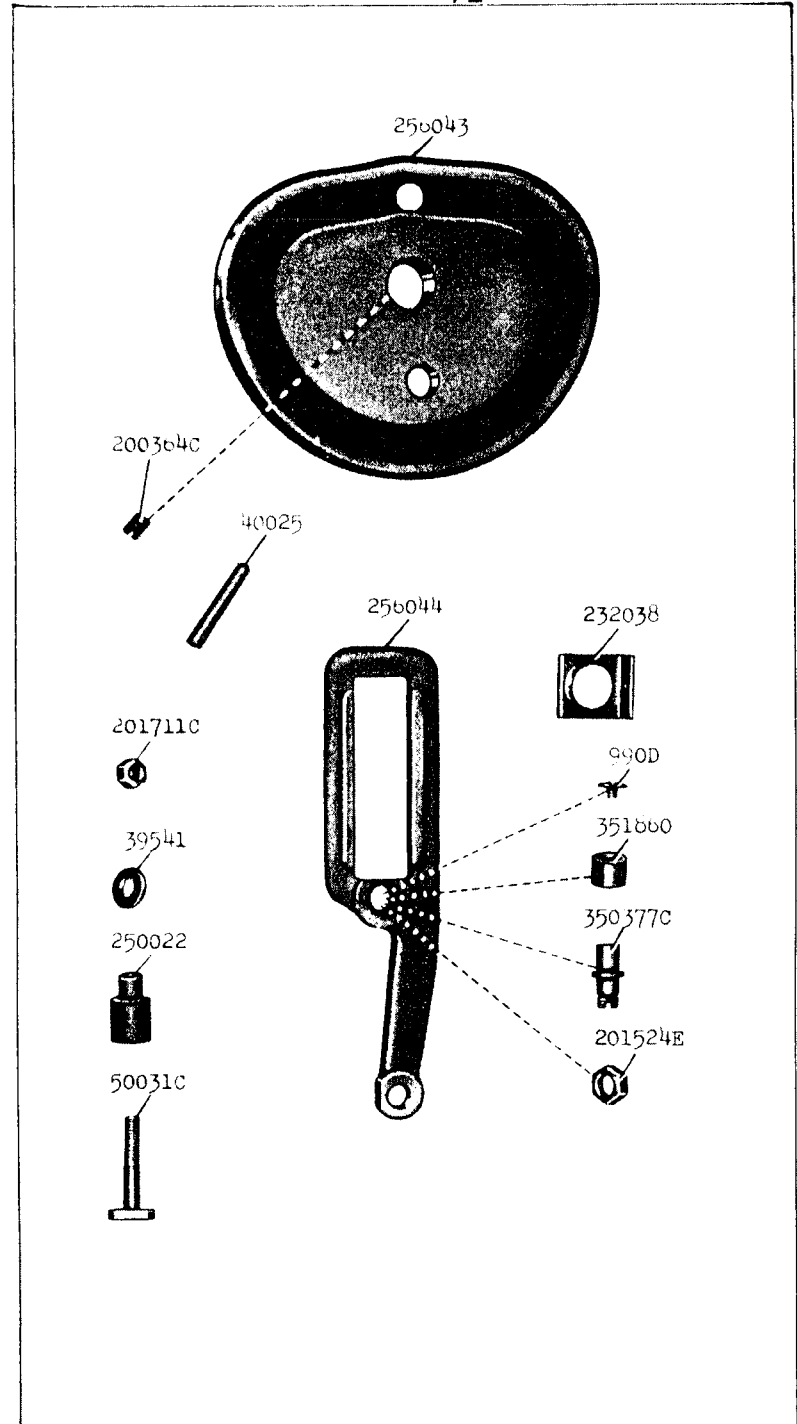
**THE SINGER MANUFACTURING COMPANY**



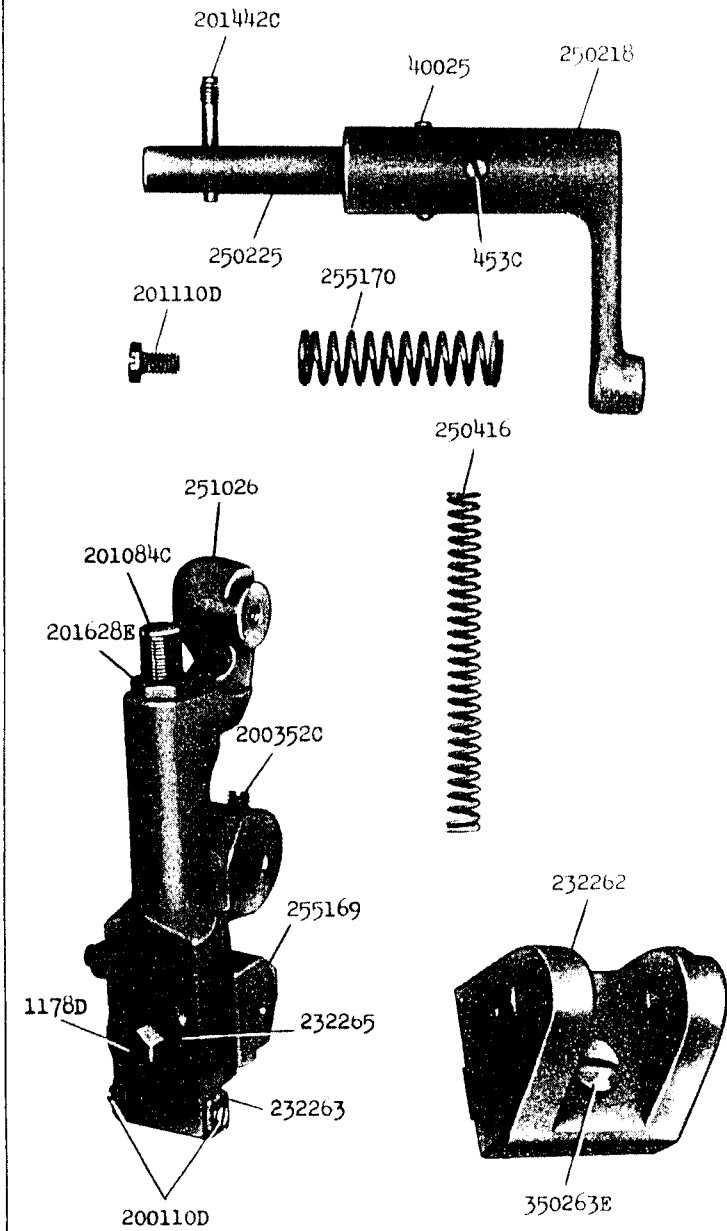
16350 - 1/3



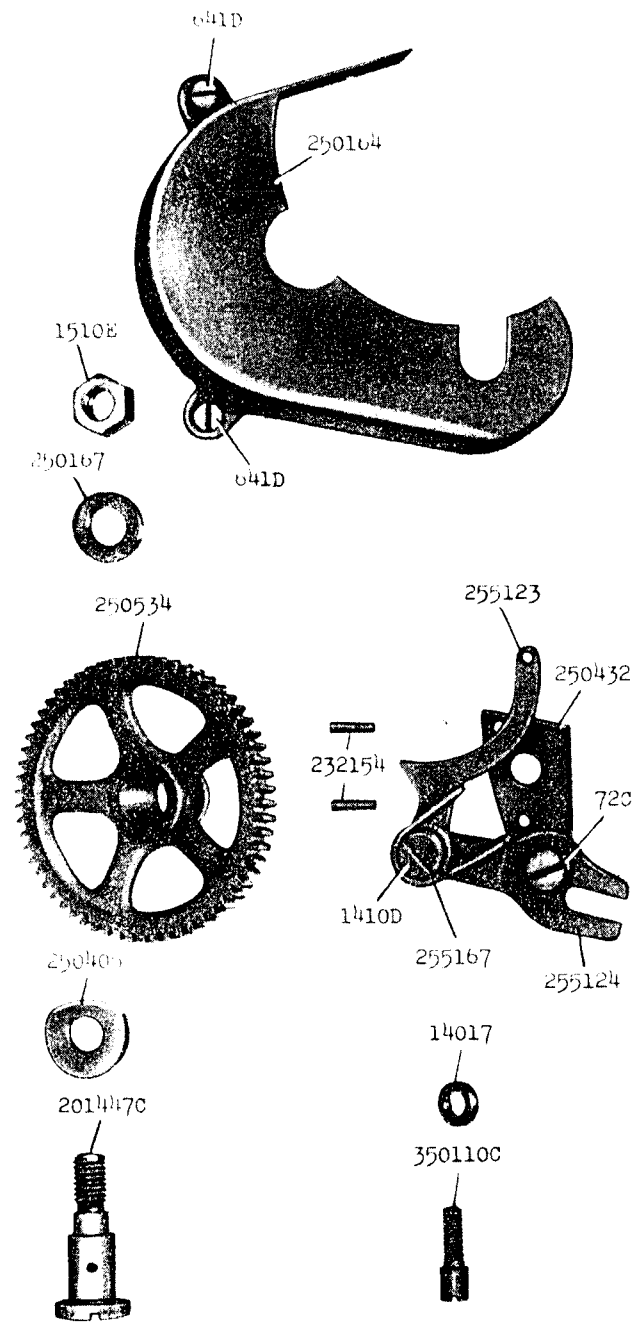
16356 - 1/2



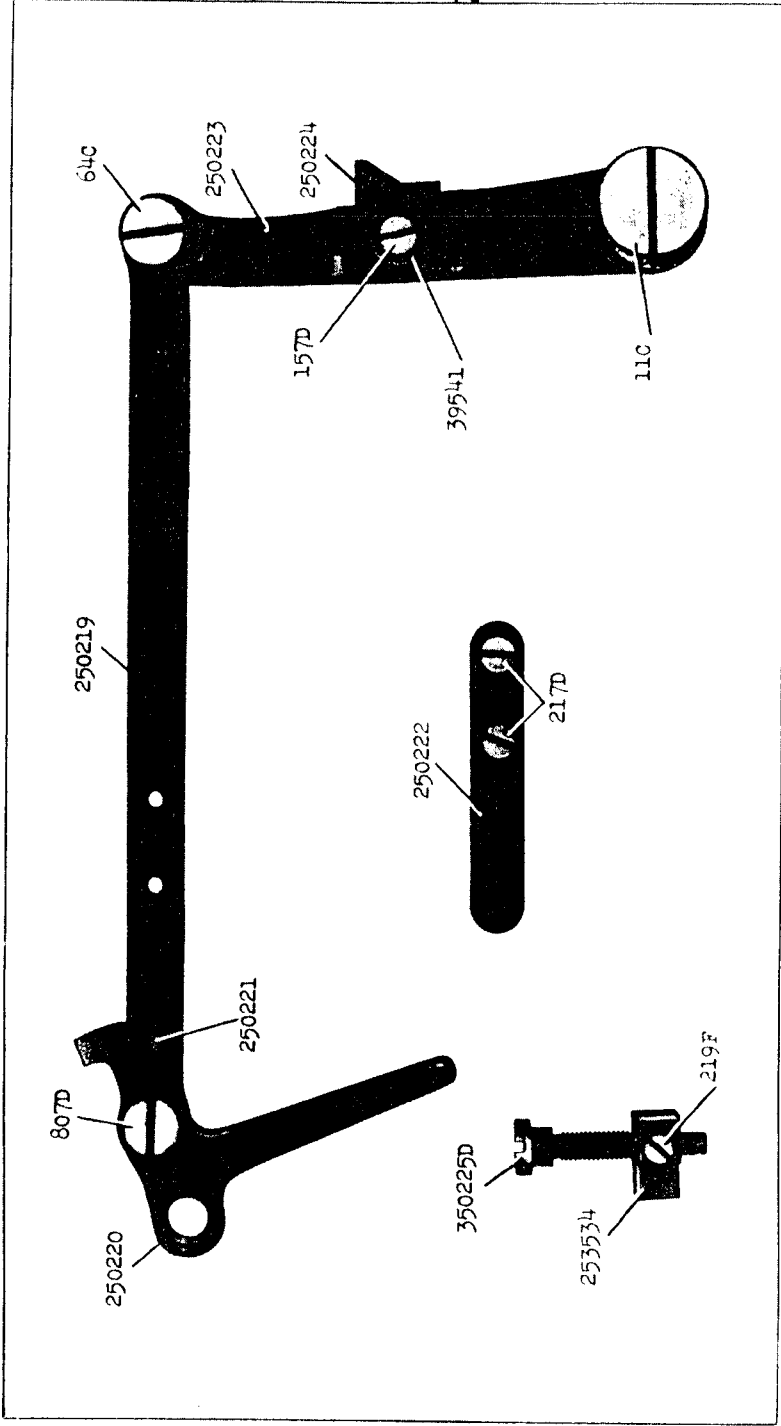
16363 - 1/2



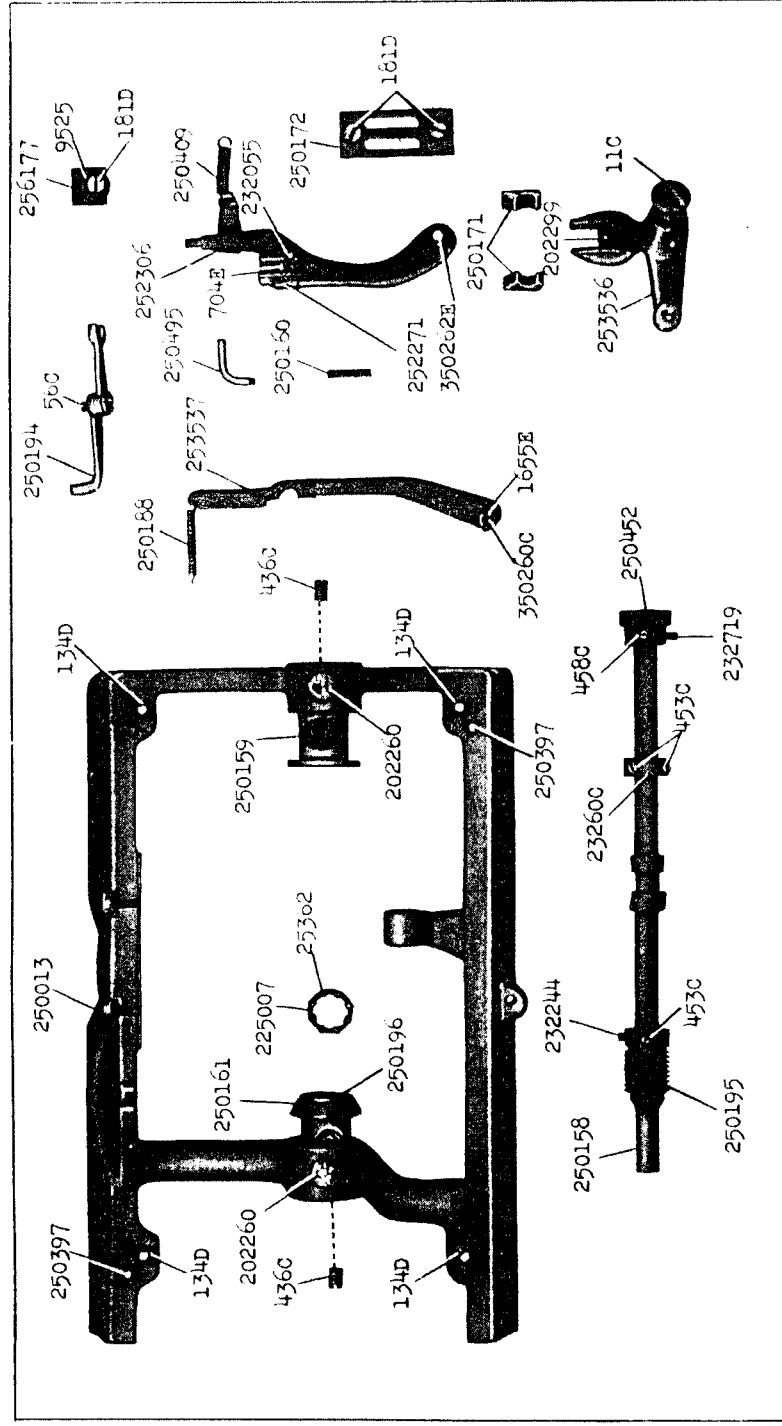
16364 - 1/2



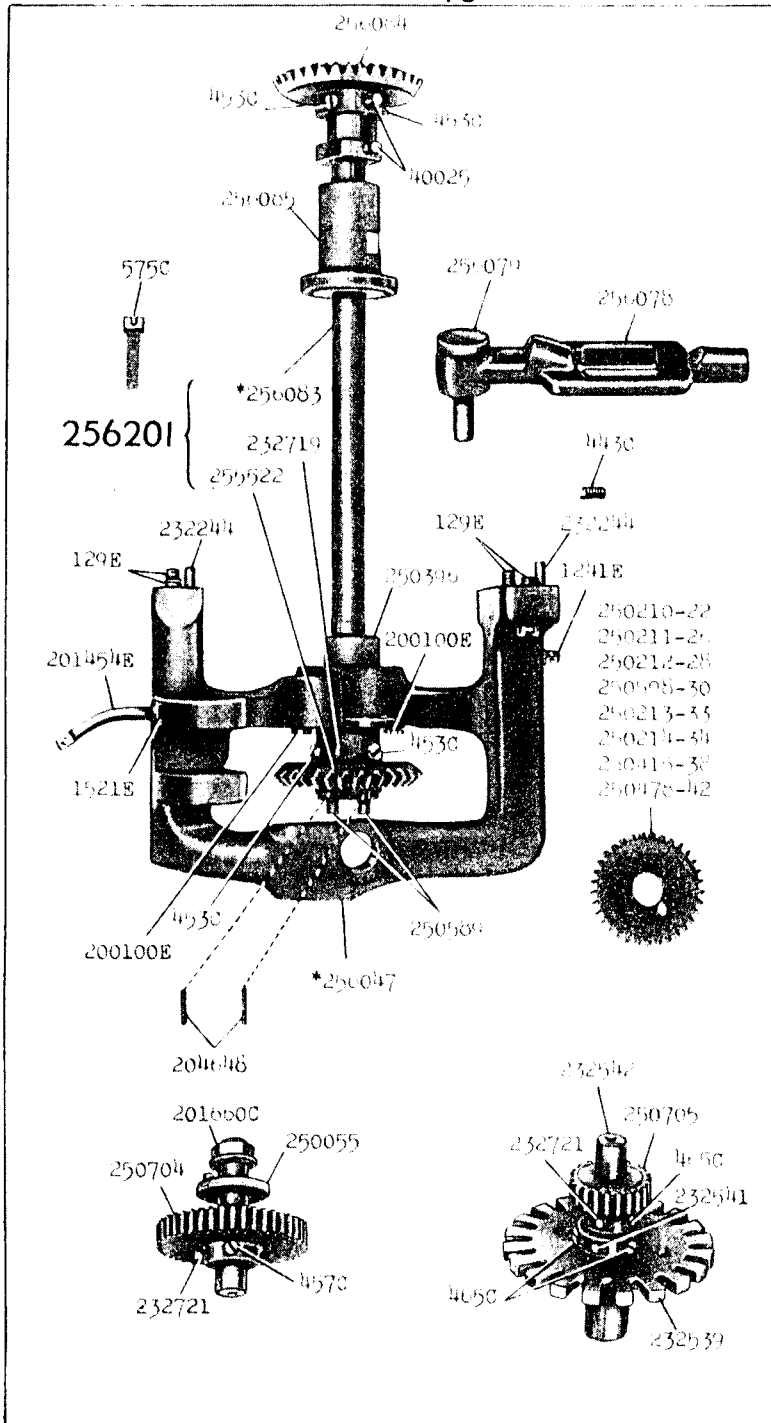
16365 - 2/3



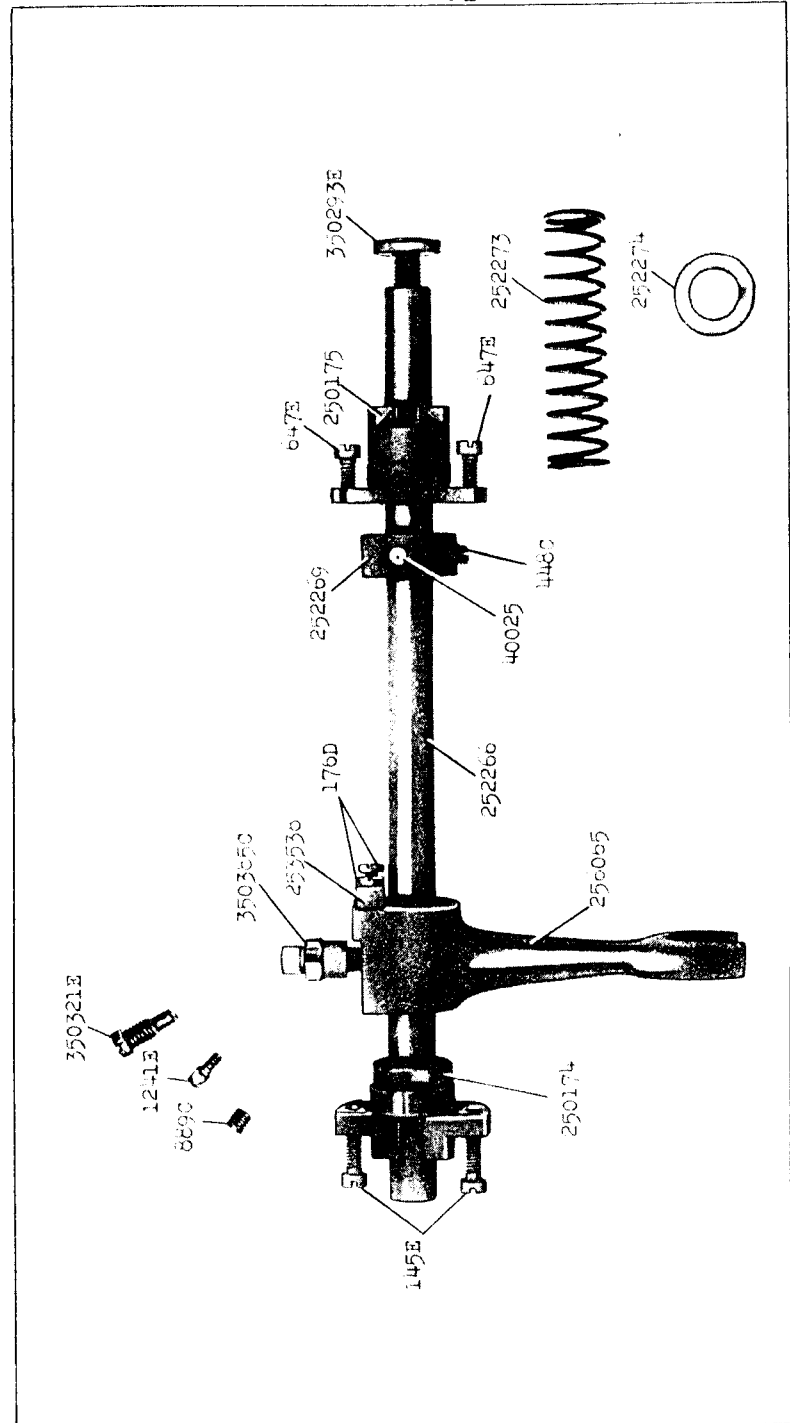
16367 - 1/4



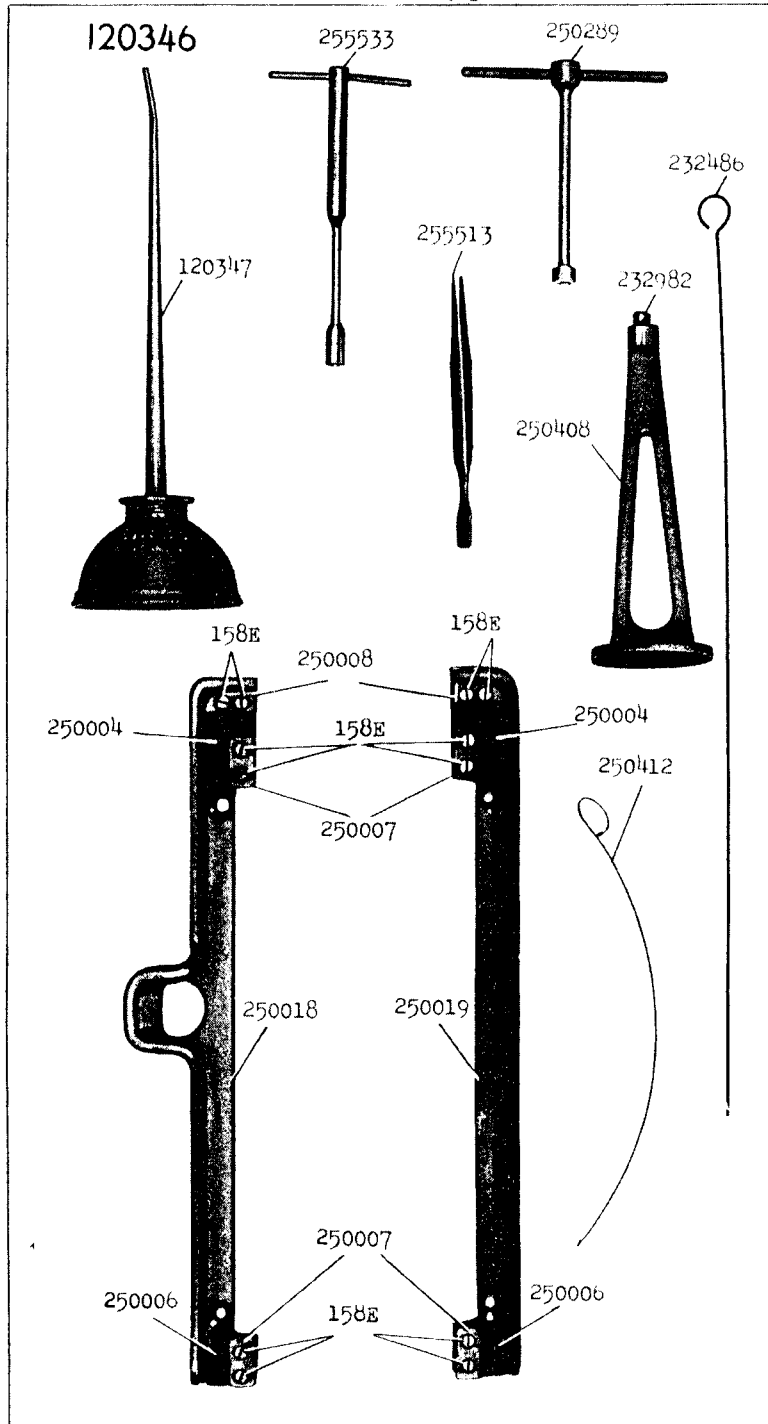
16368 - 3/8



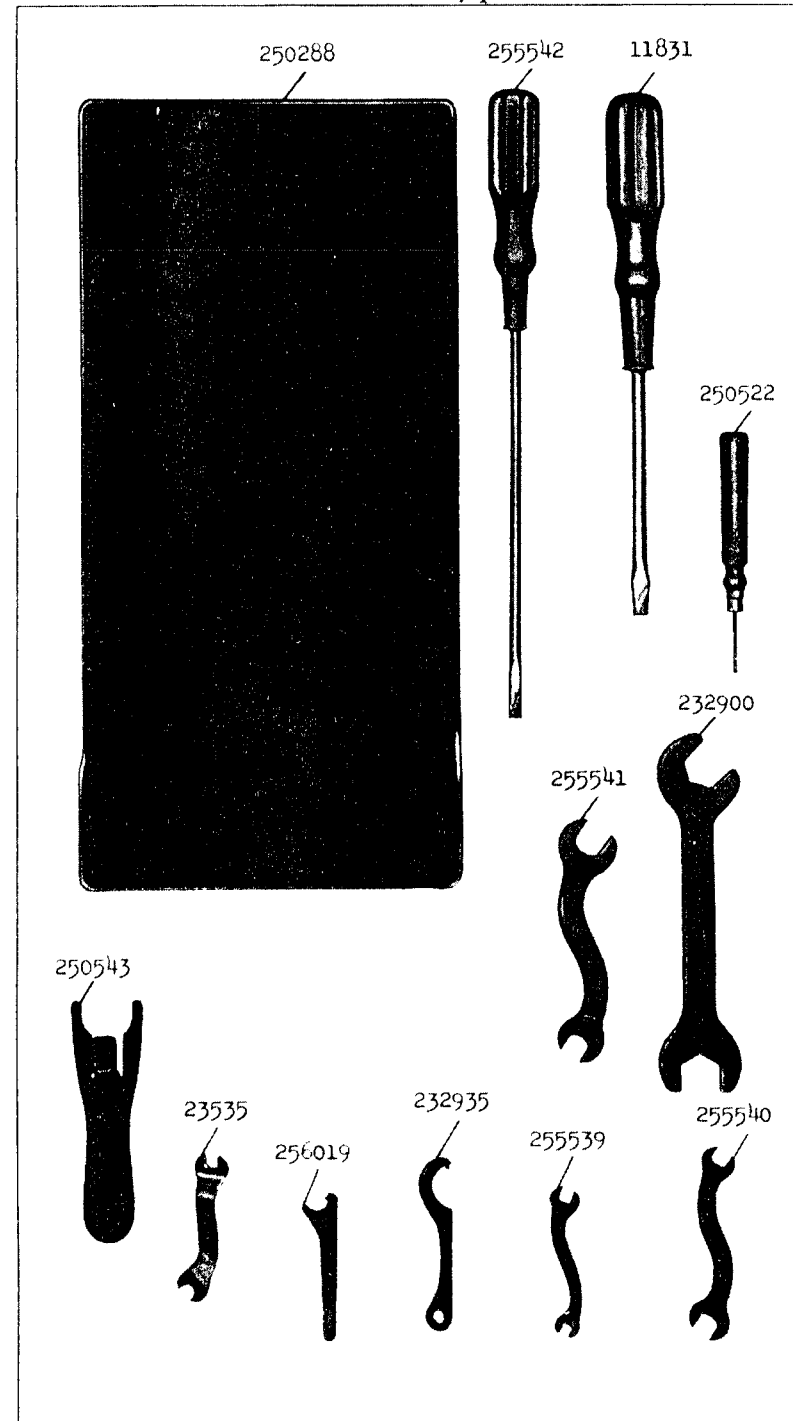
16372 - 1/2



16382 - 1/4



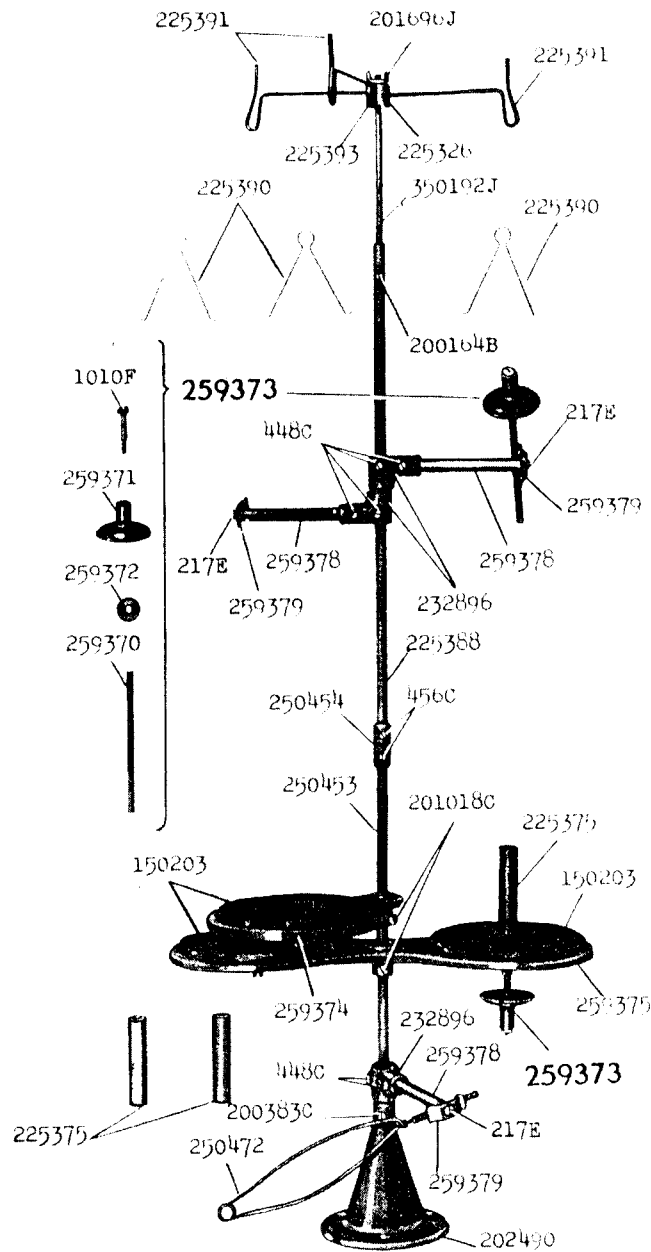
16383 - 1/4





16385 - 1/6

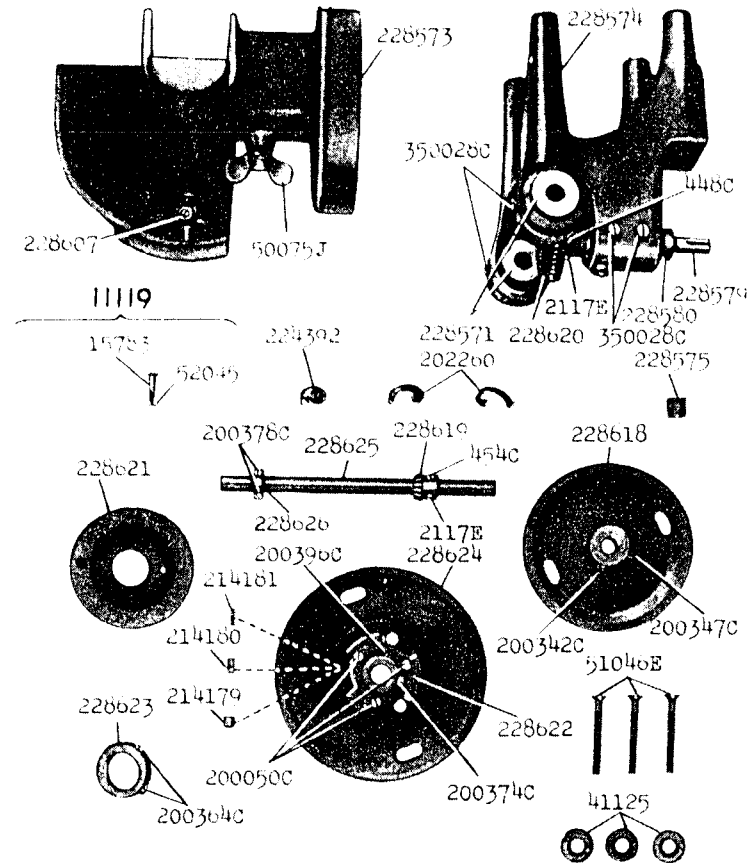
225376



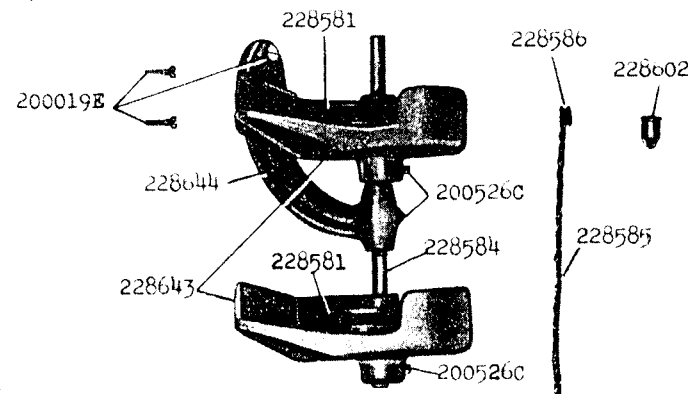
16386 - 1/6

228578

228627

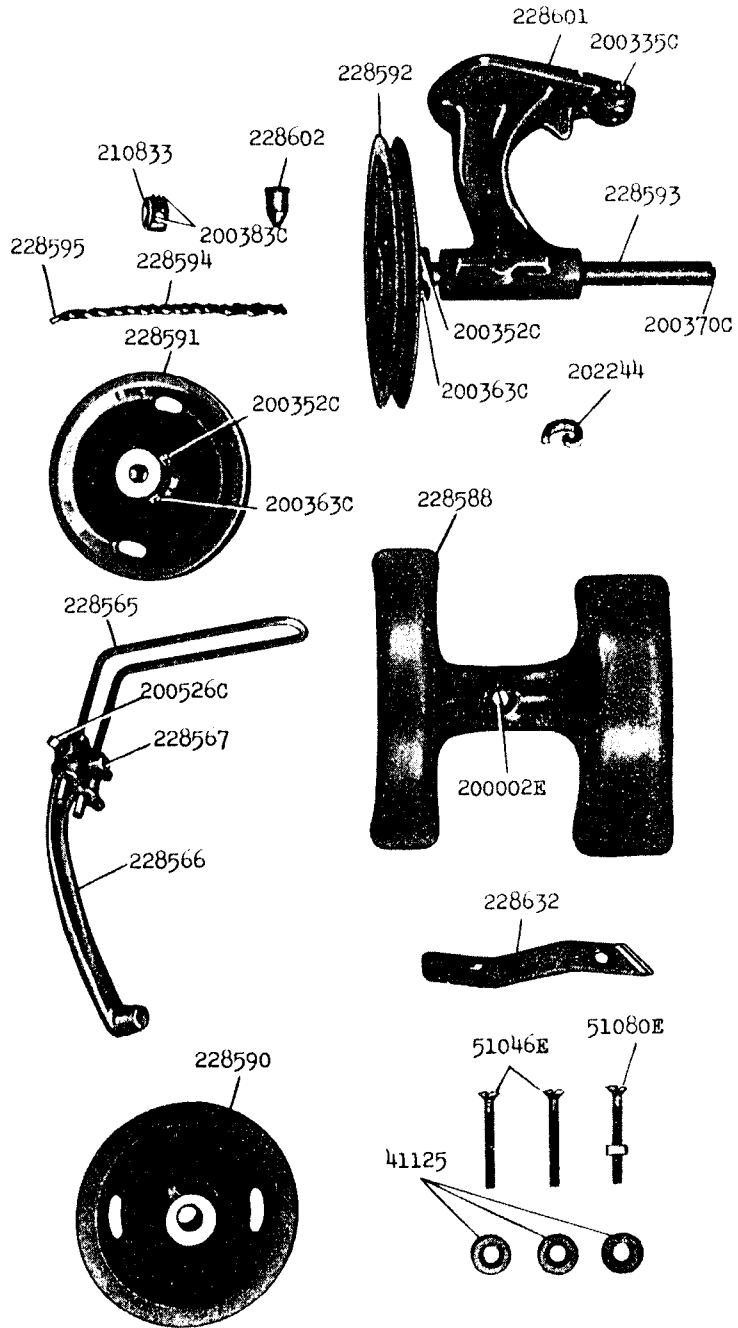


228587



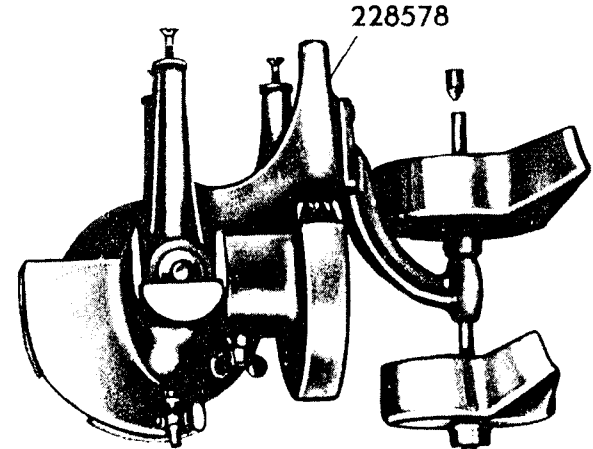
16387 - 1/5

228596

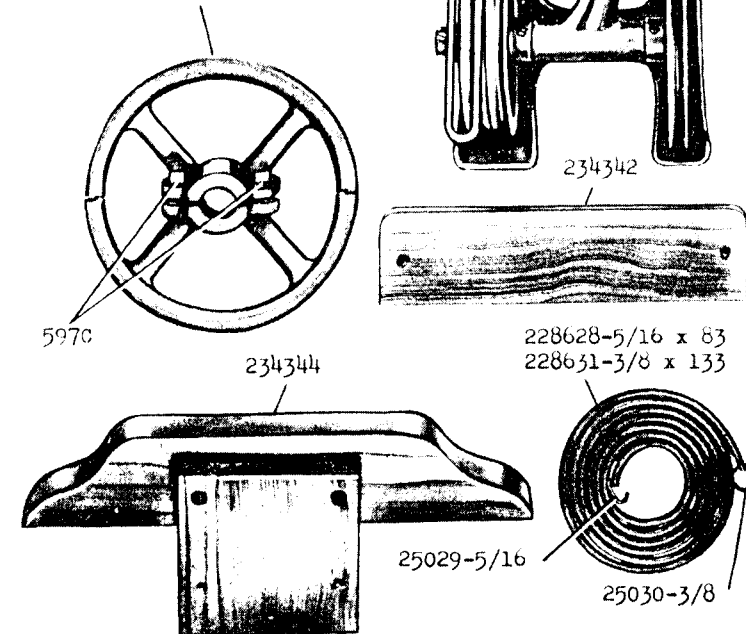


16388 - 1/6

228599

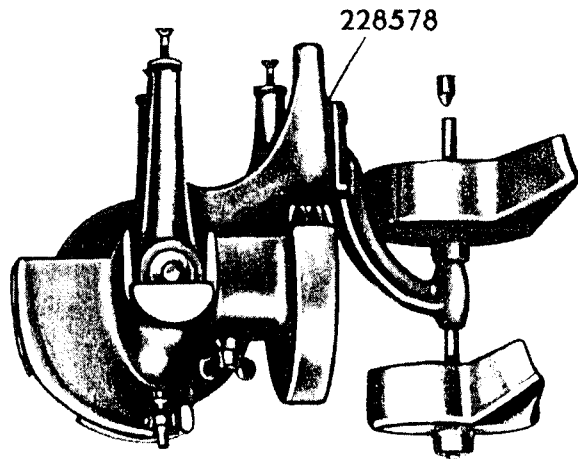


- 27271-4
- 232920-4-1/2
- 27065-5
- 232879-5-1/2
- 27066-6
- 232880-6-1/2
- 27067-7
- 232881-7-1/2
- 27068-8
- 232882-8-1/2
- 27069-9
- 232883-9-1/2
- 27070-10
- 27072-12
- 27074-14
- 27075-15



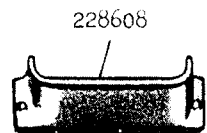
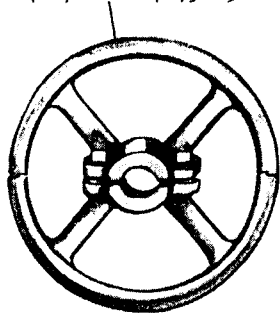
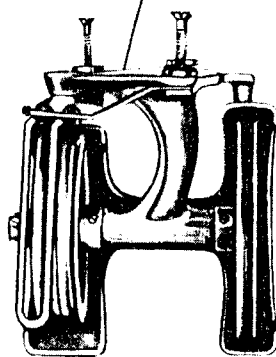
16389 - 1/6

228609

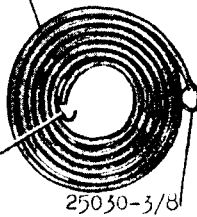


- |              |              |
|--------------|--------------|
| 27271-4      | 27068-8      |
| 232920-4-1/2 | 232882-8-1/2 |
| 27065-5      | 27069-9      |
| 232879-5-1/2 | 232883-9-1/2 |
| 27066-6      | 27070-10     |
| 232880-6-1/2 | 27072-12     |
| 27067-7      | 27074-14     |
| 232881-7-1/2 | 27075-15     |

228596

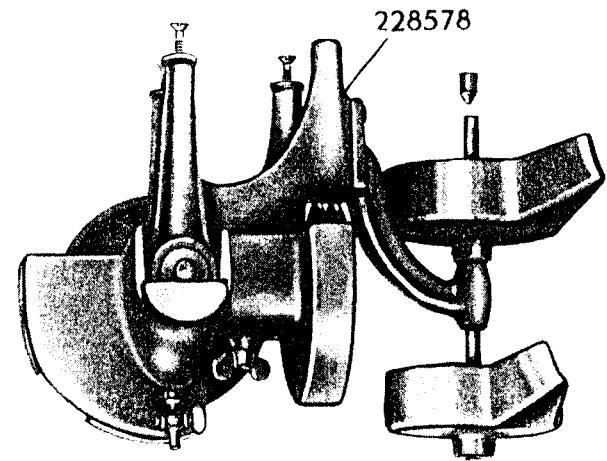


228628-5/16 x 83  
228631-3/8 x 133



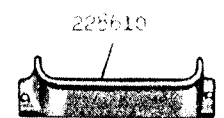
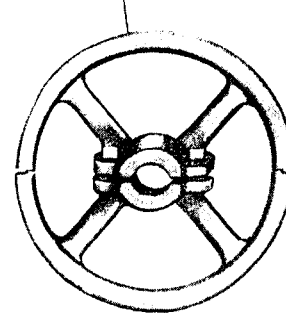
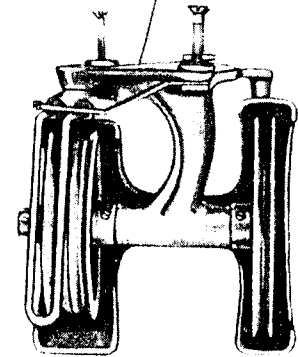
16390 - 1/6

228611

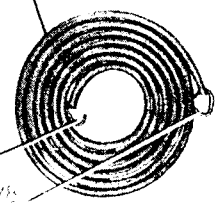
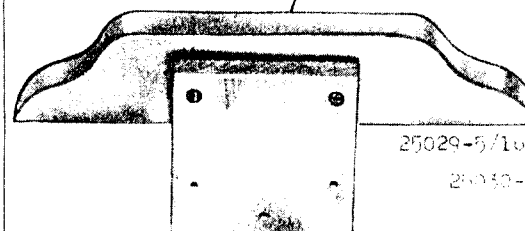


- |              |              |
|--------------|--------------|
| 27271-4      | 27068-8      |
| 232920-4-1/2 | 232882-8-1/2 |
| 27065-5      | 27069-9      |
| 232879-5-1/2 | 232883-9-1/2 |
| 27066-6      | 27070-10     |
| 232880-6-1/2 | 27072-12     |
| 27067-7      | 27074-14     |
| 232881-7-1/2 | 27075-15     |

228596

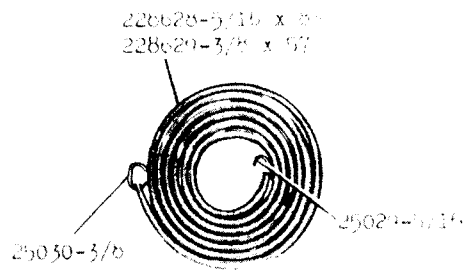
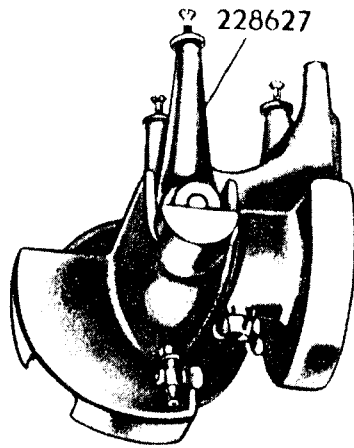


228628-5/16 x 83  
228631-3/8 x 133



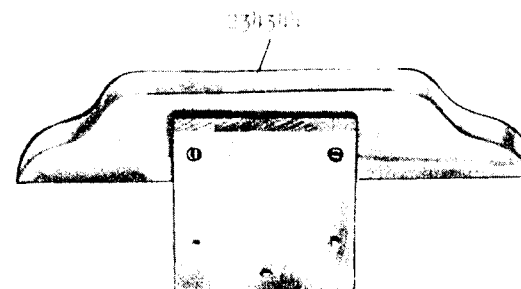
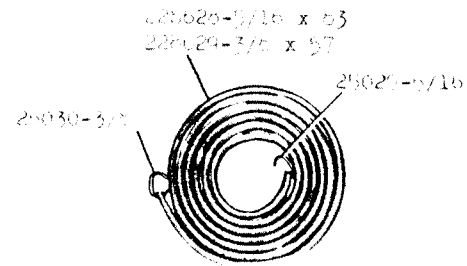
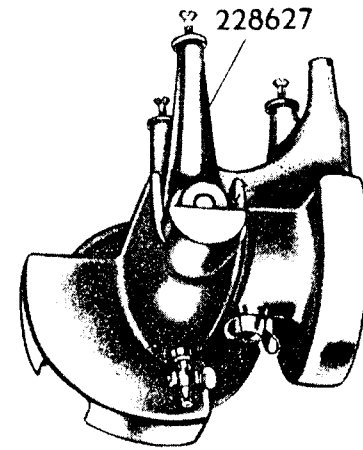
16391 - 1/6

228605



16392 - 1/6

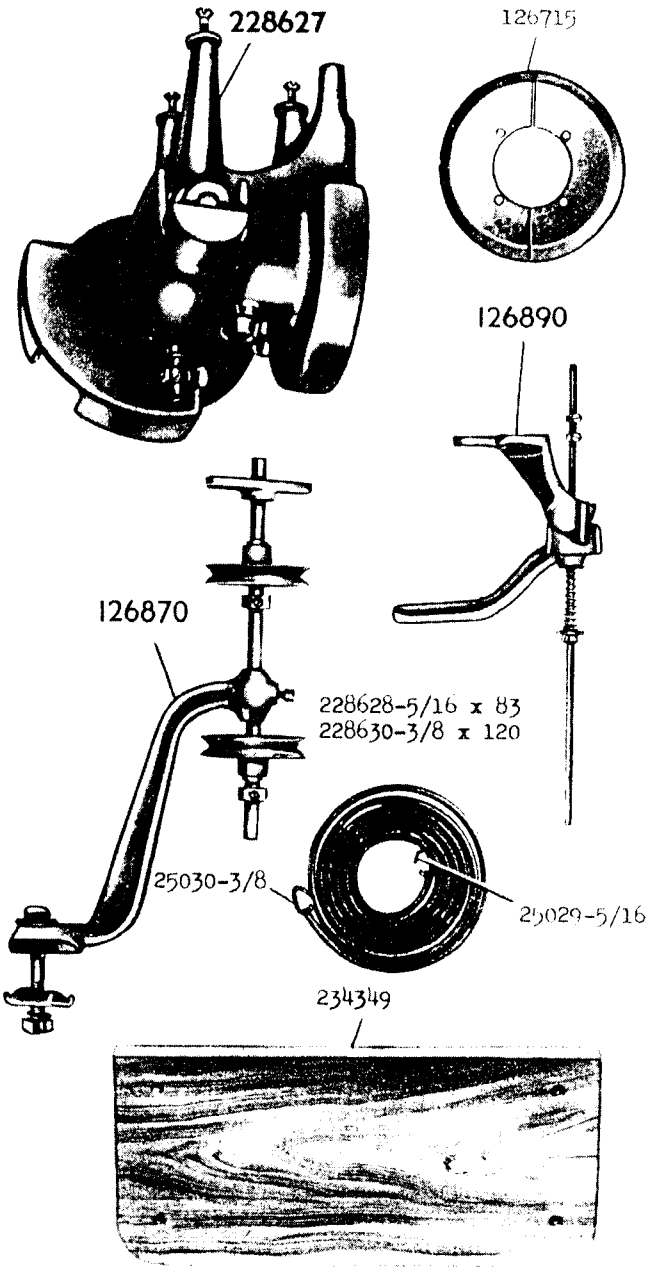
228612





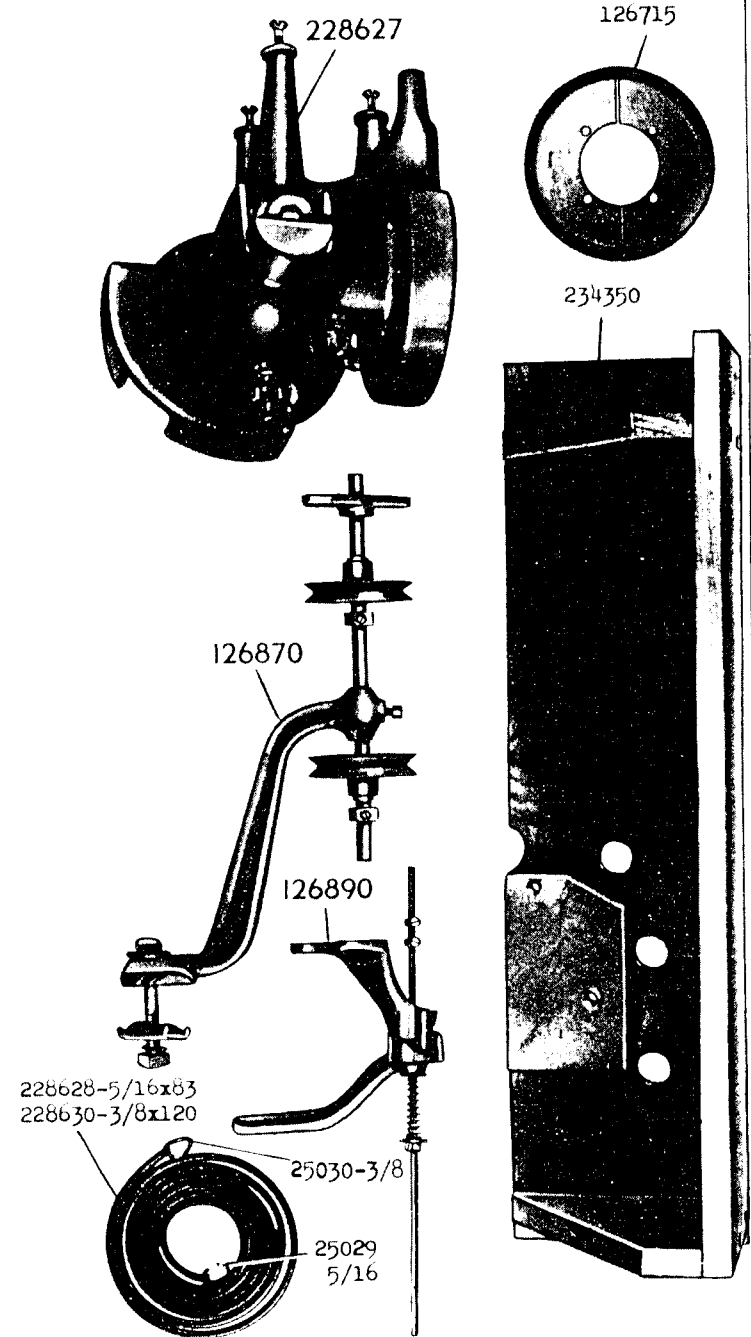
16395 - 1/6

228645



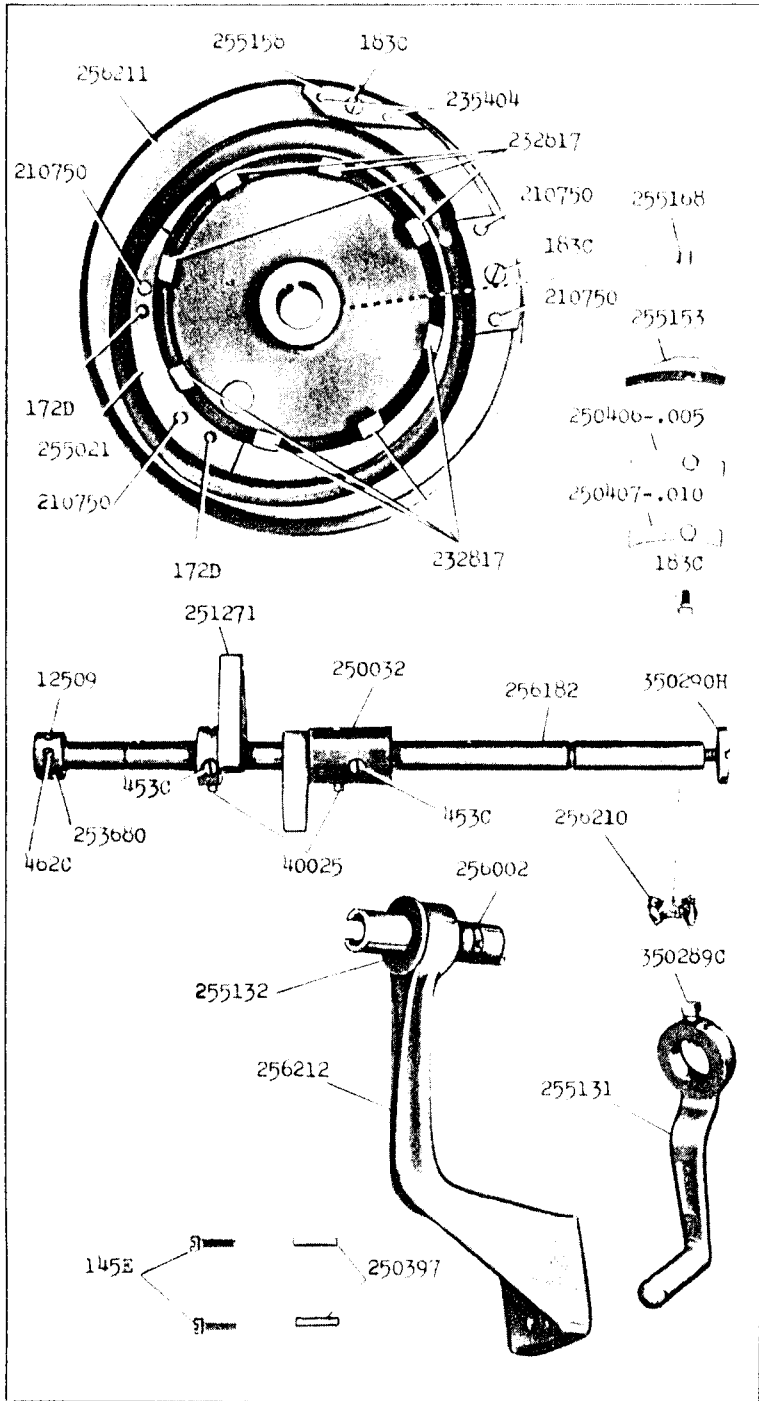
16396 - 1/6

228646

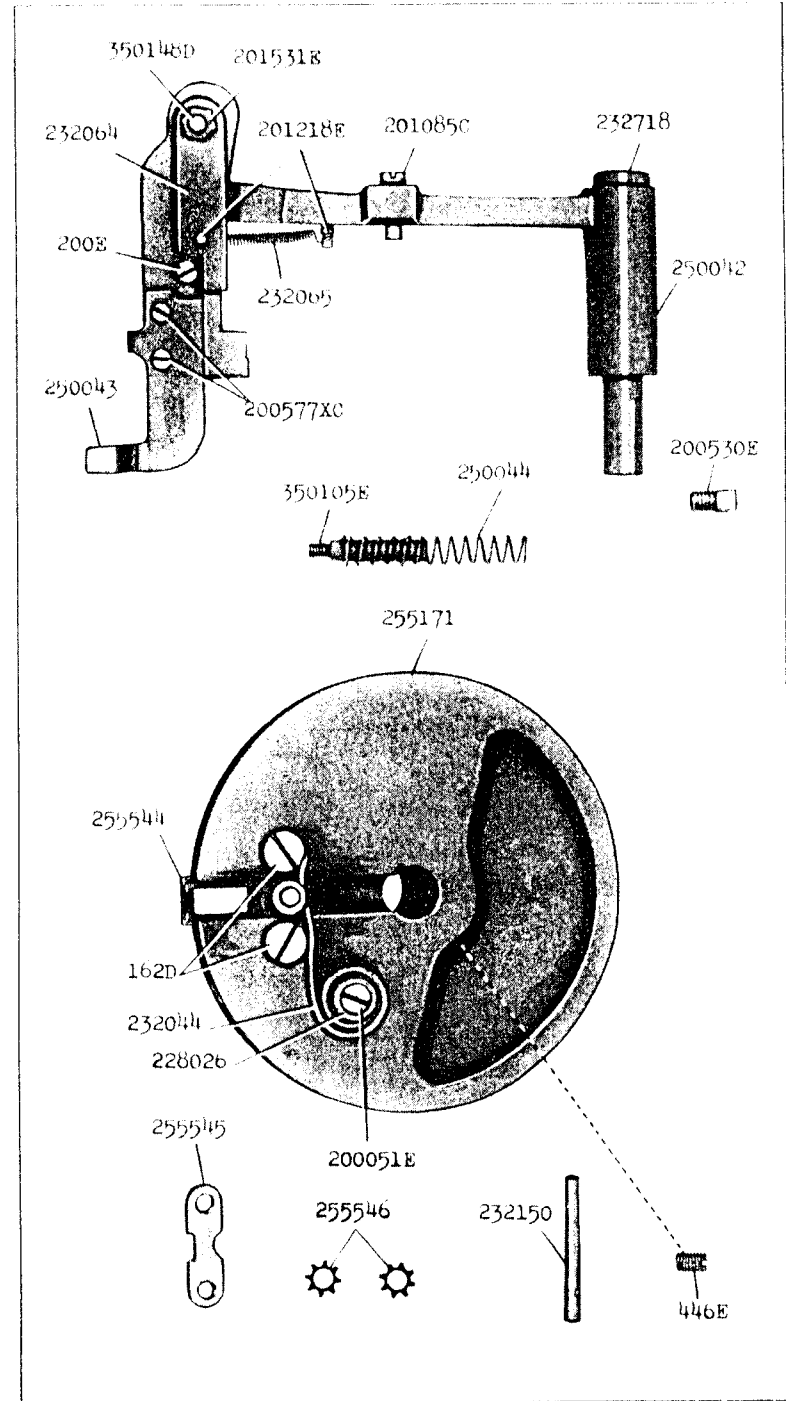




16405 - 1/3

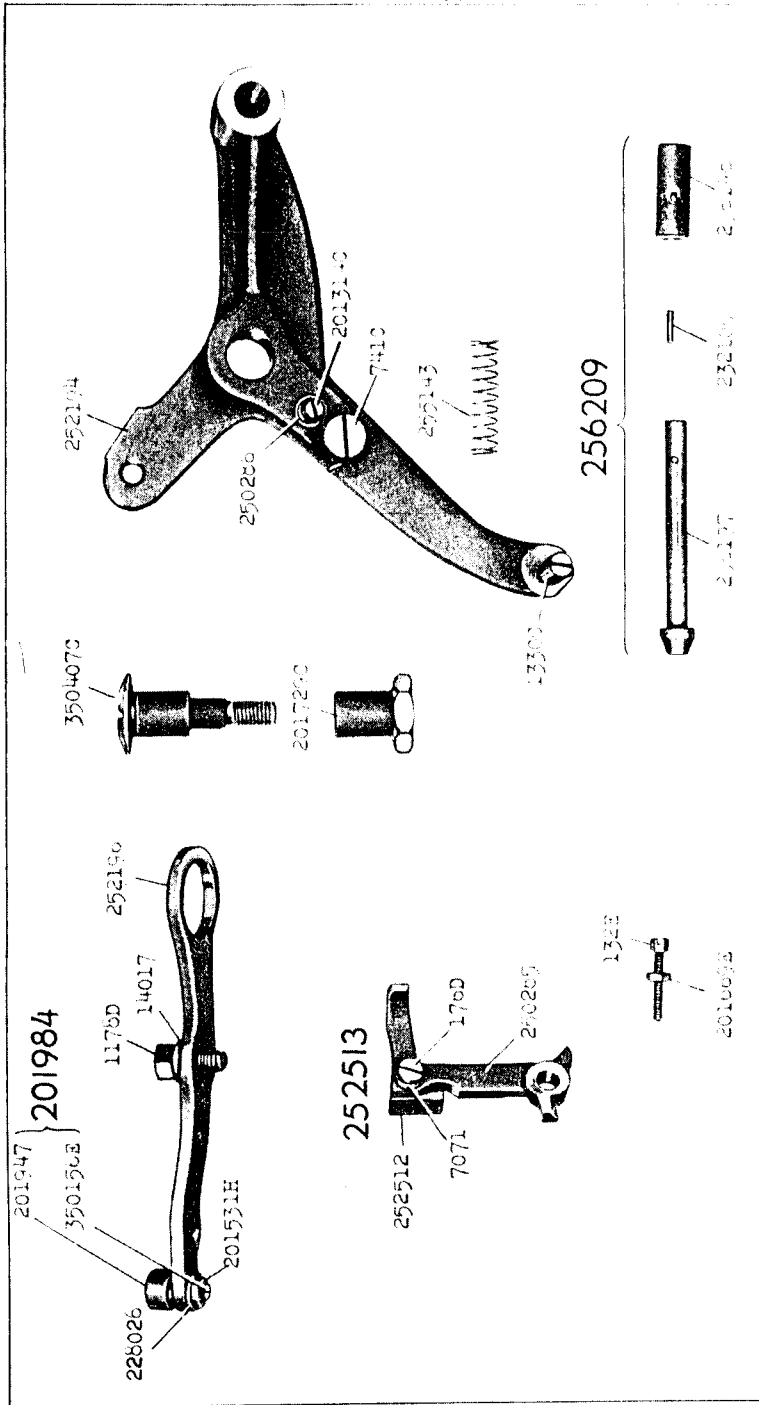


16406 - 1/2

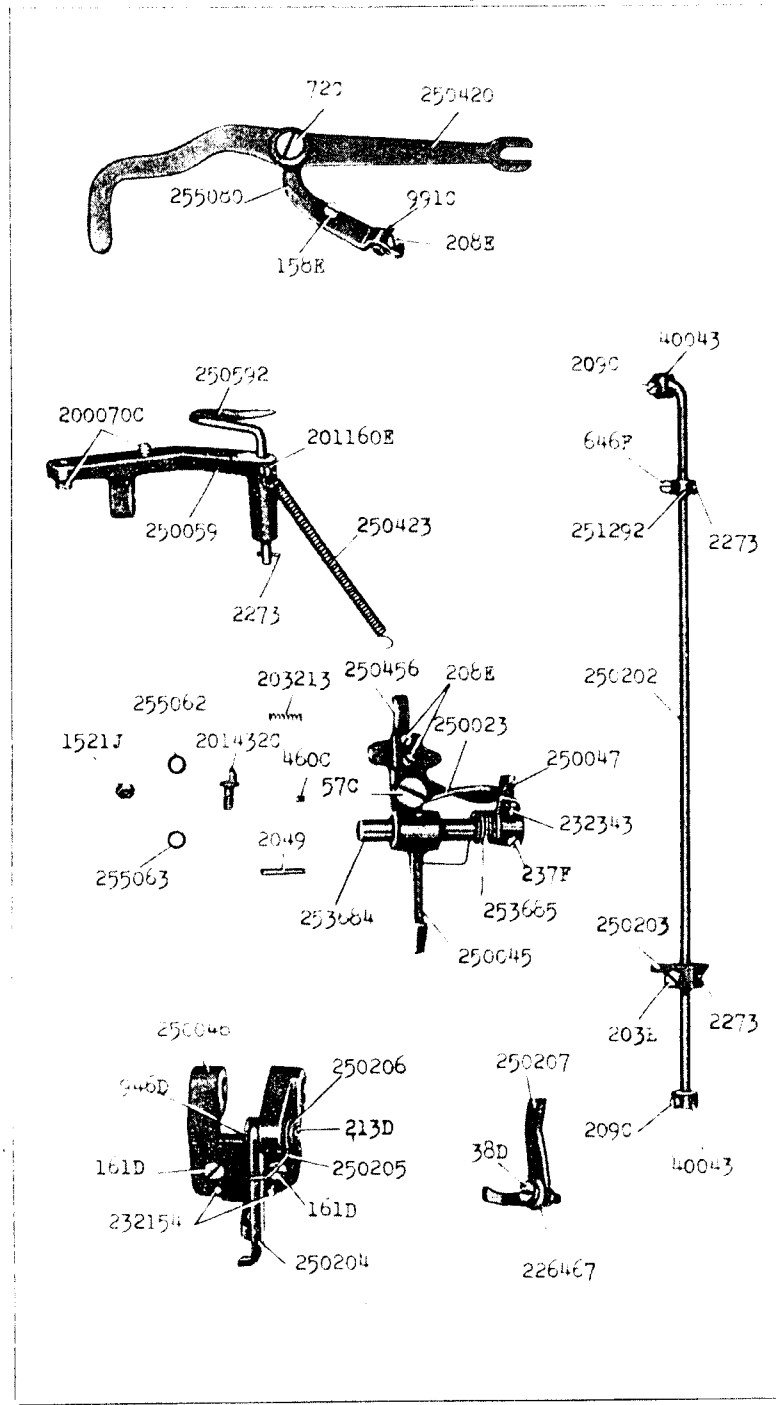




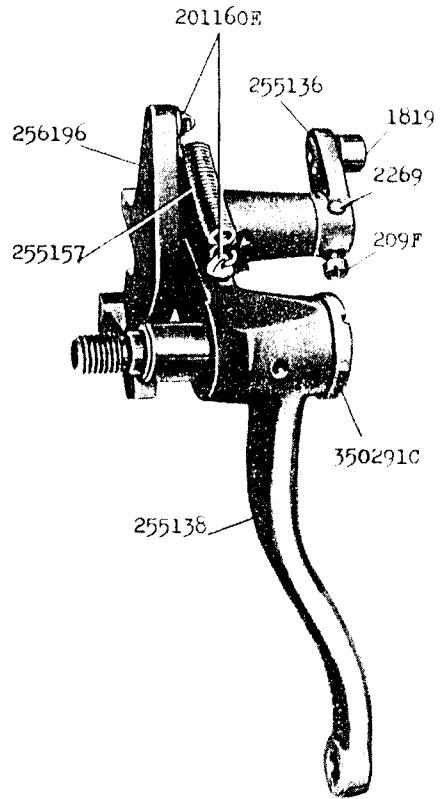
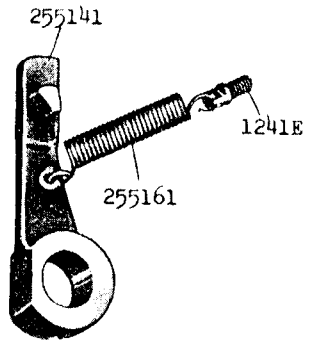
16407 - 1/2



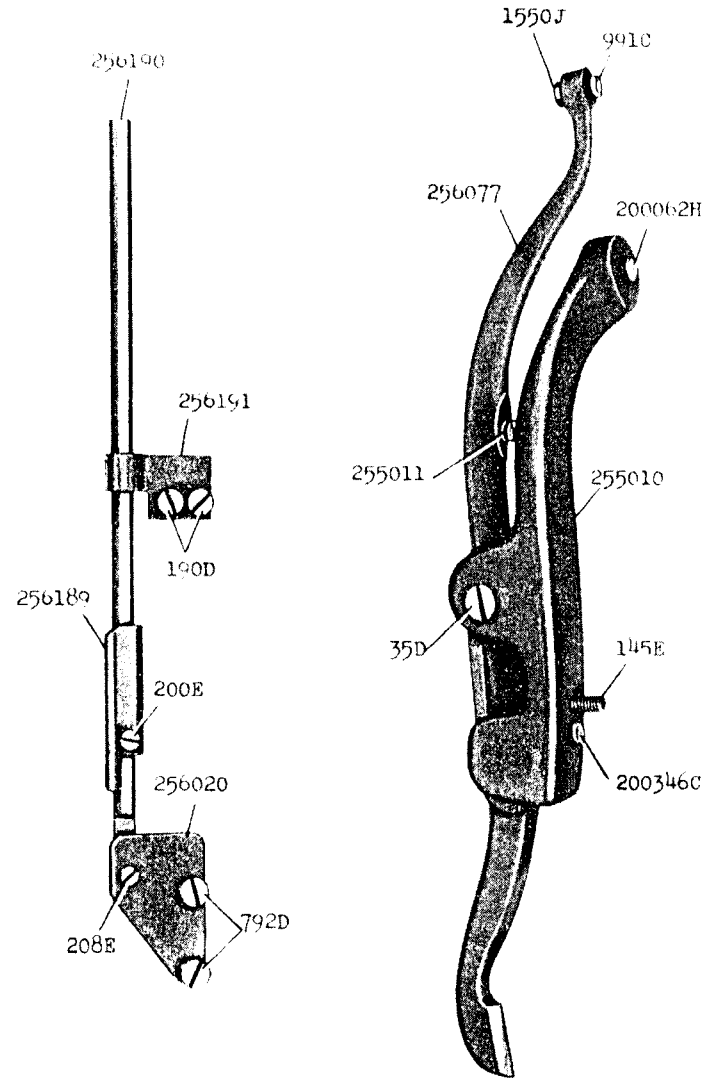
16408 - 1/3



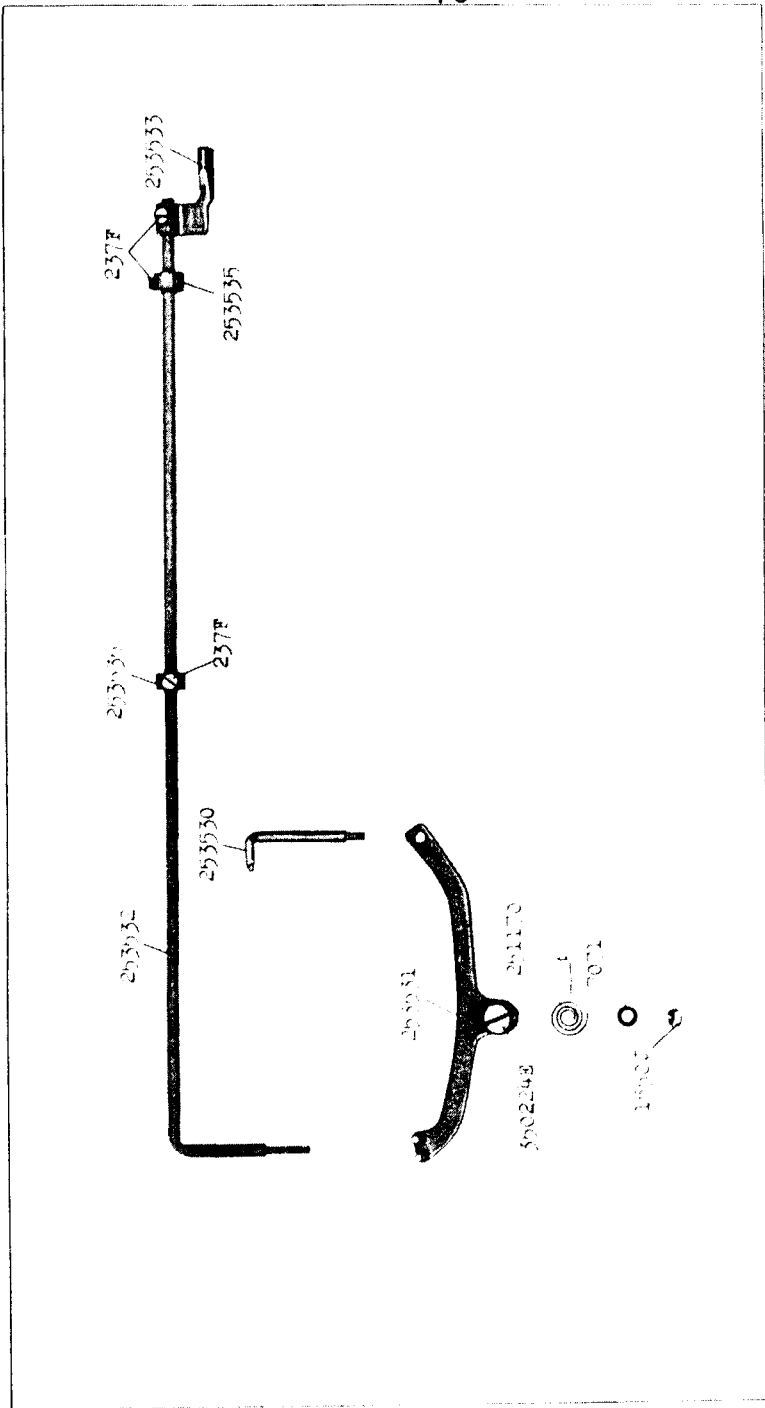
16409 - 2/3



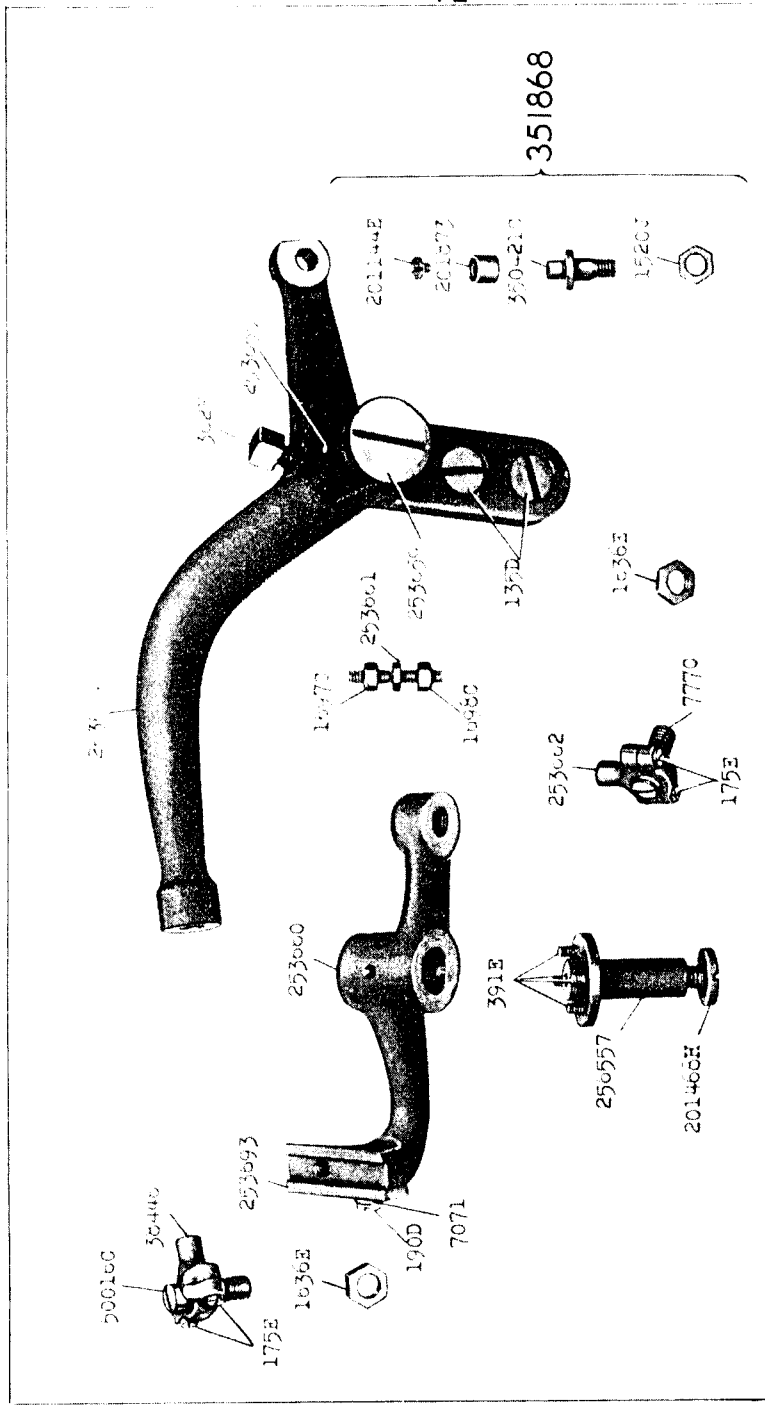
16412 - 1/2



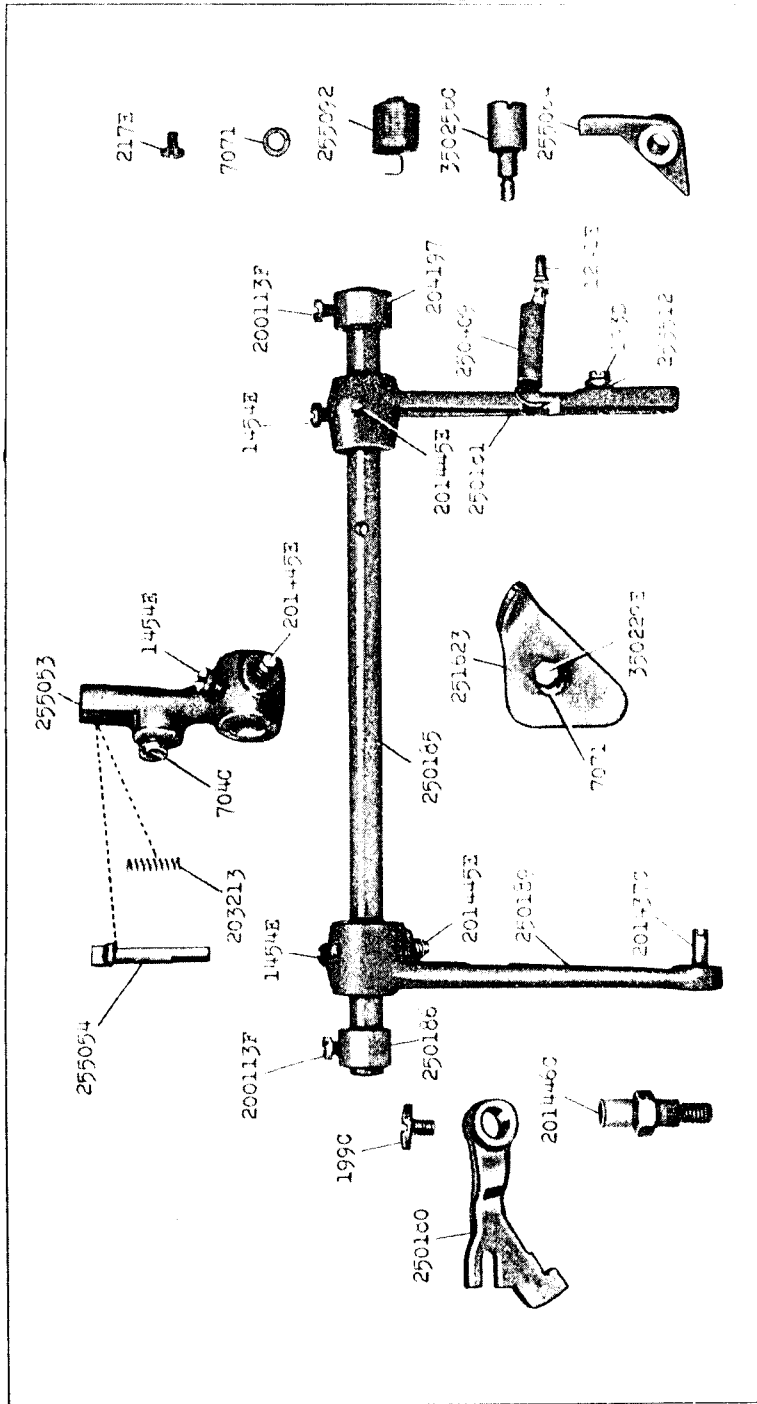
16415 - 3/8



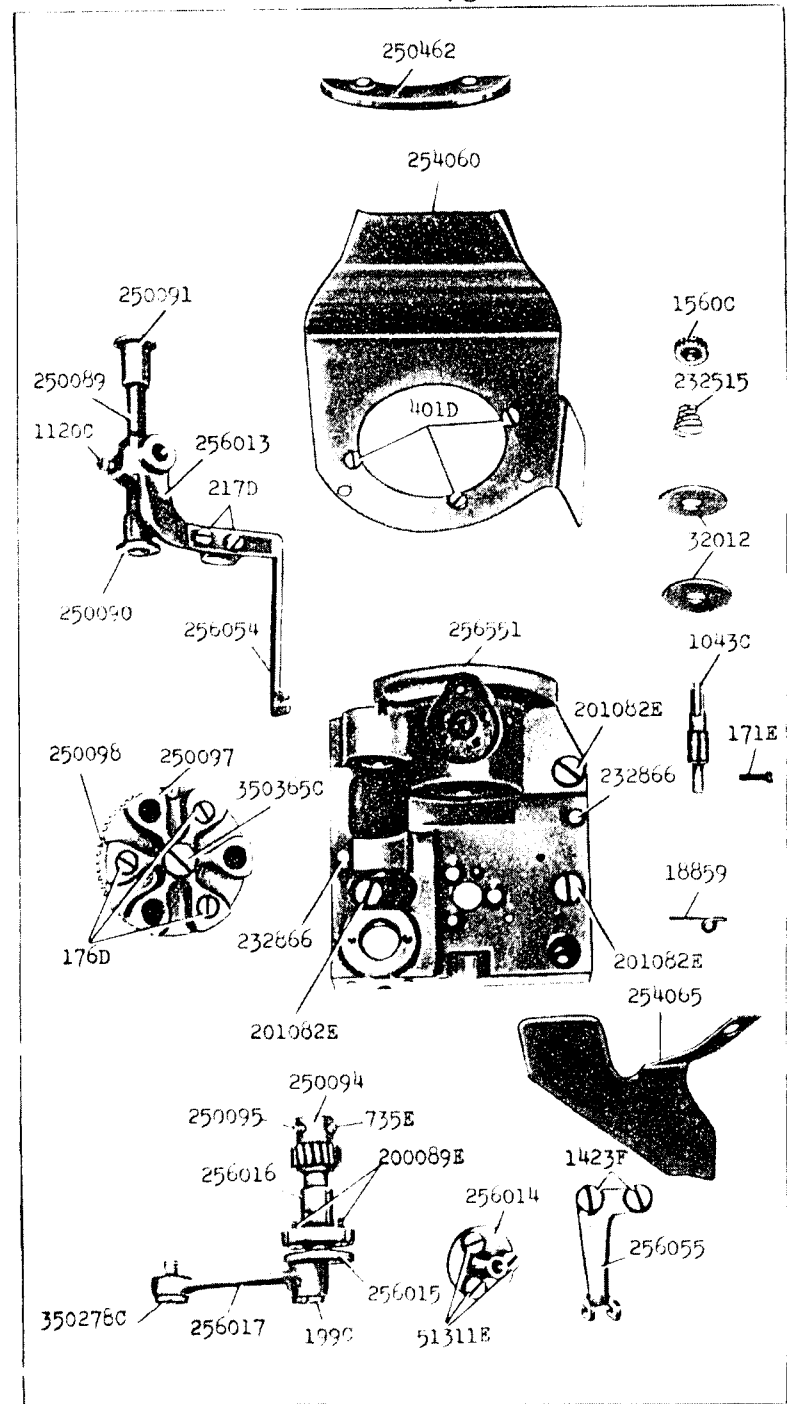
16419 - 1/2



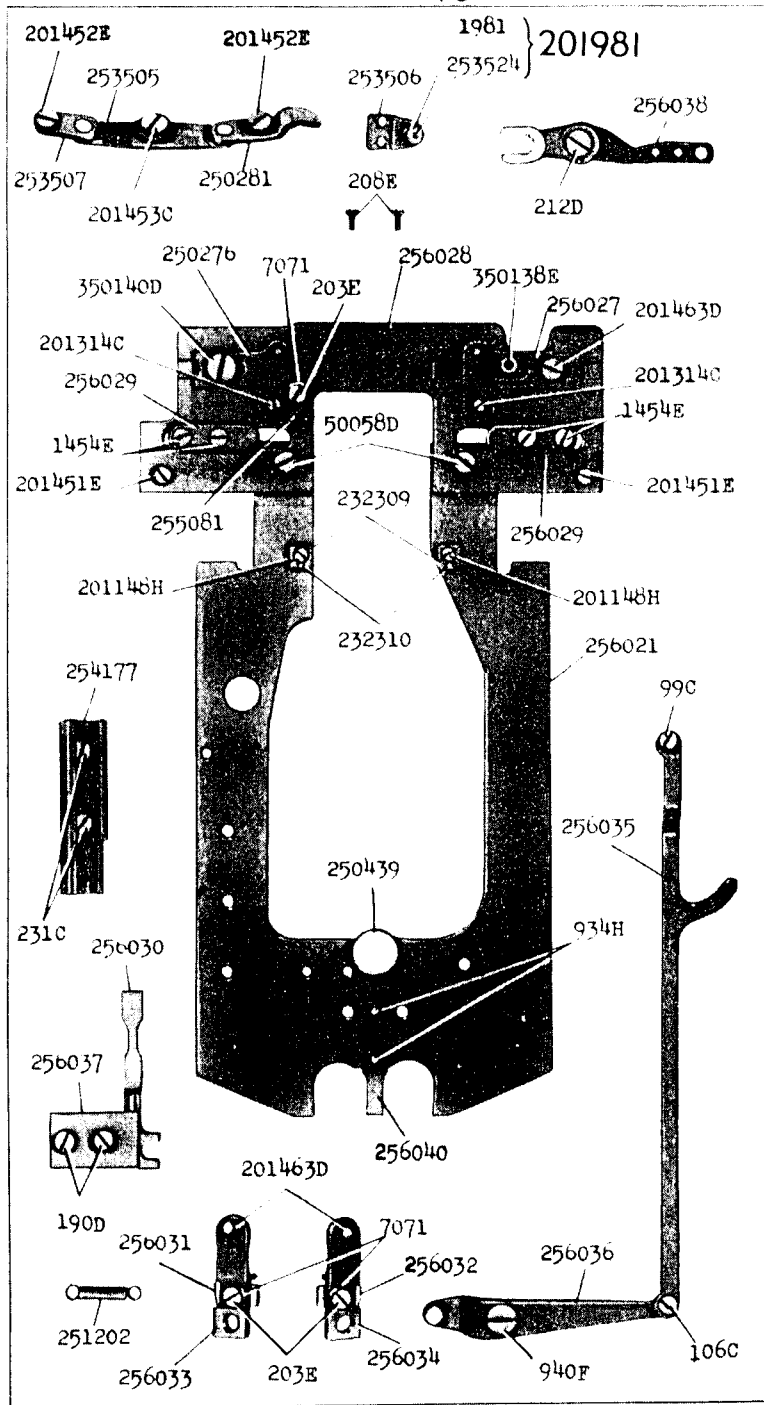
16421 - 1/2



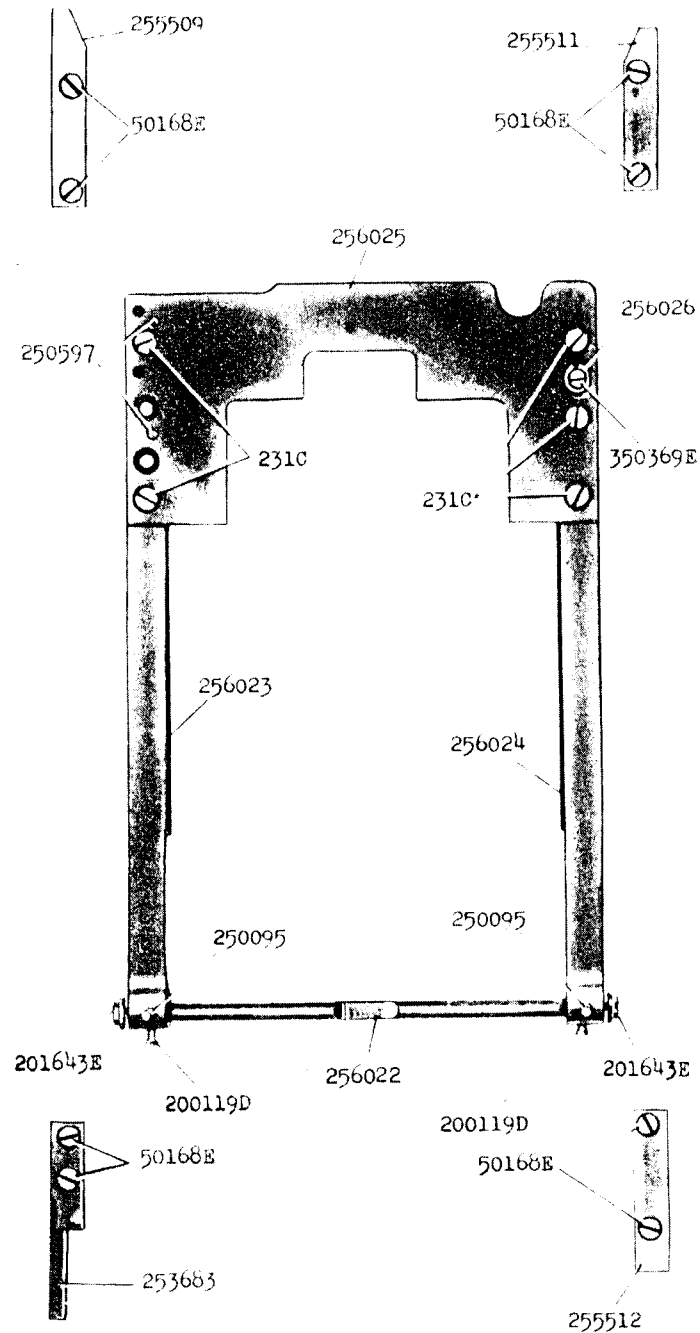
16424 - 3/8



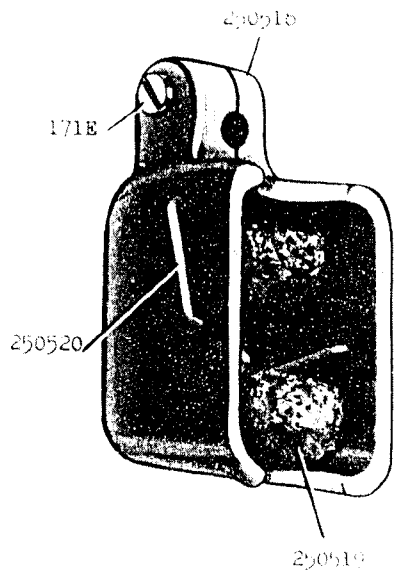
16427 - 3/8



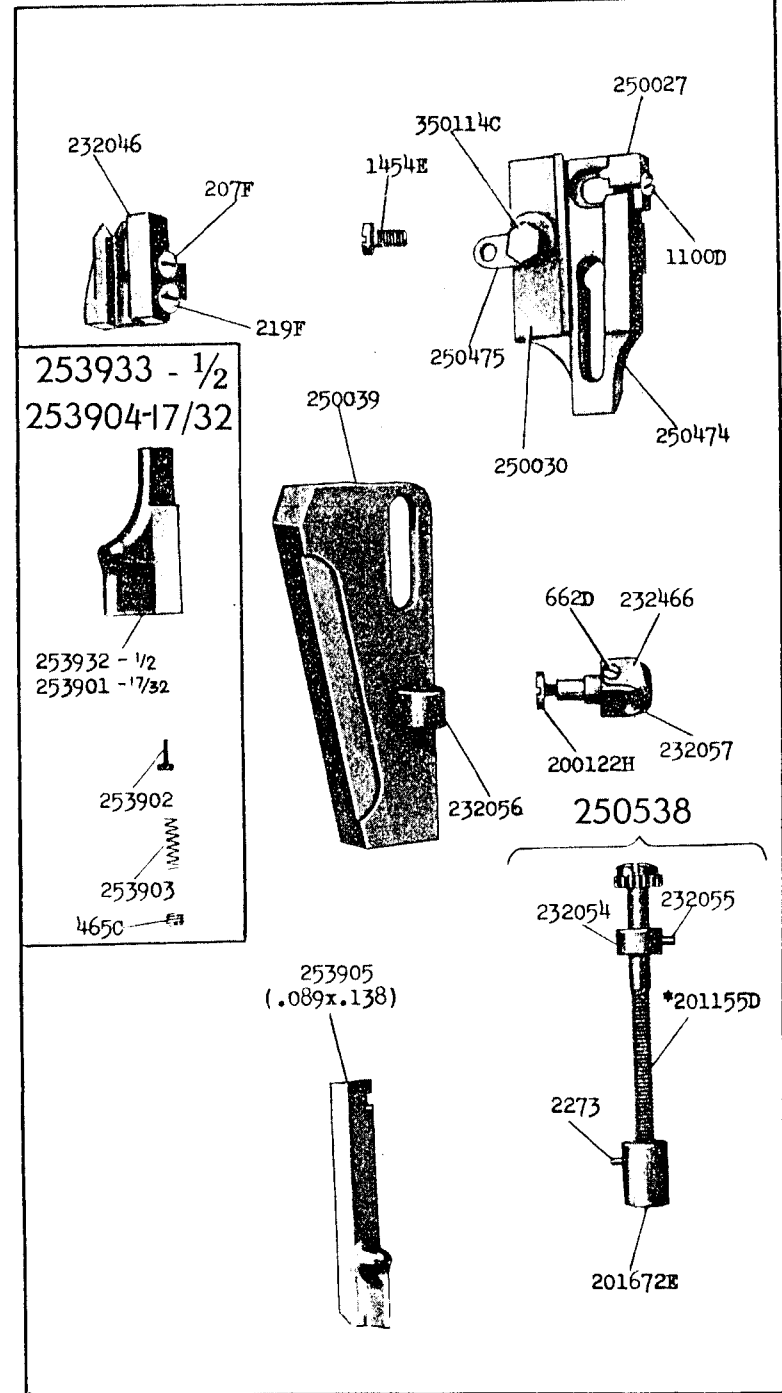
16428 - 3/8



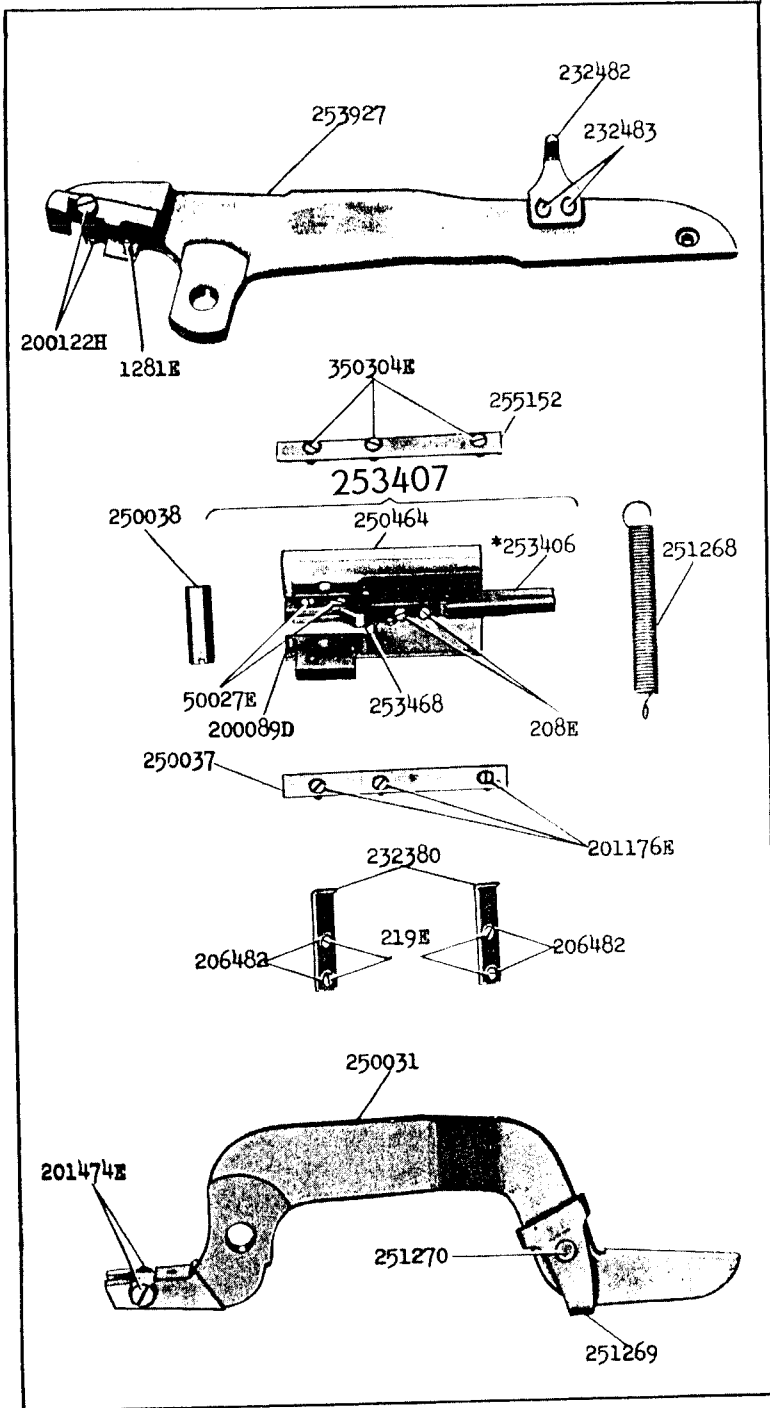
16431



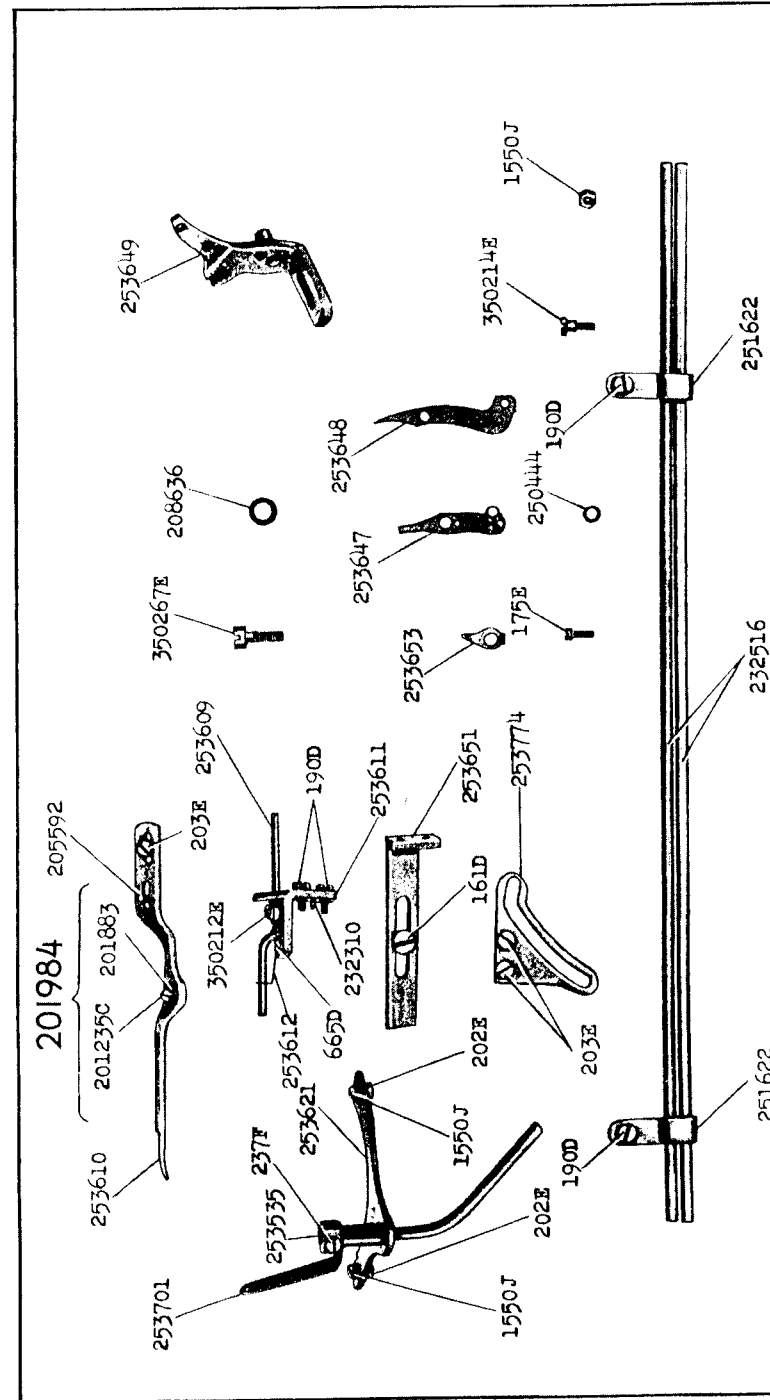
16486 - 2/3



16487 - 1/3



16488 - 3/8



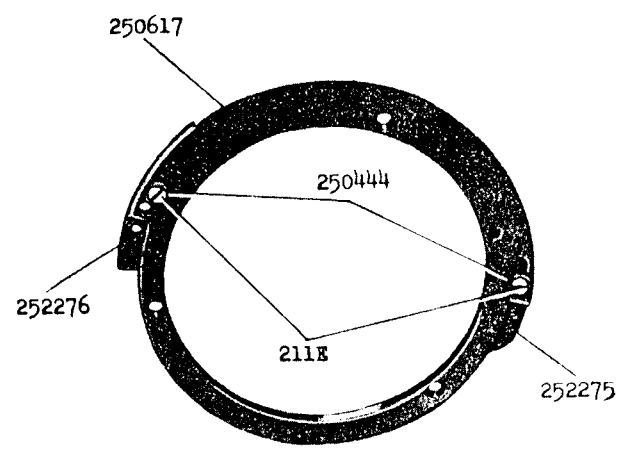
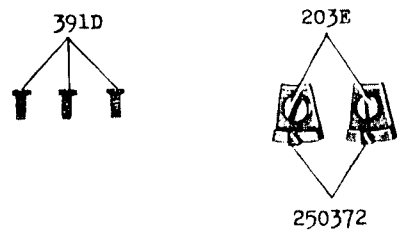
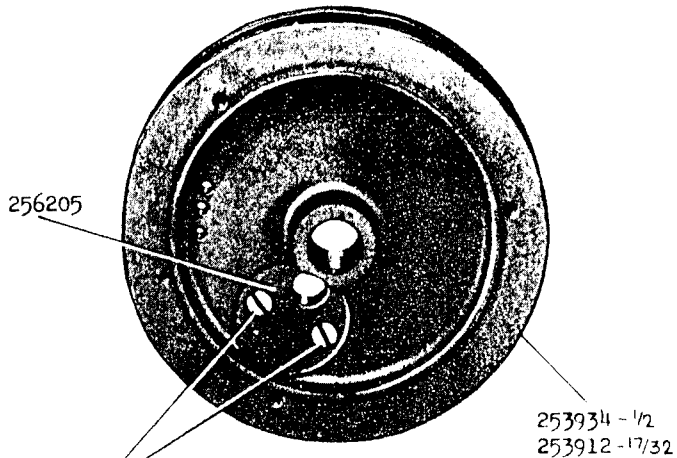




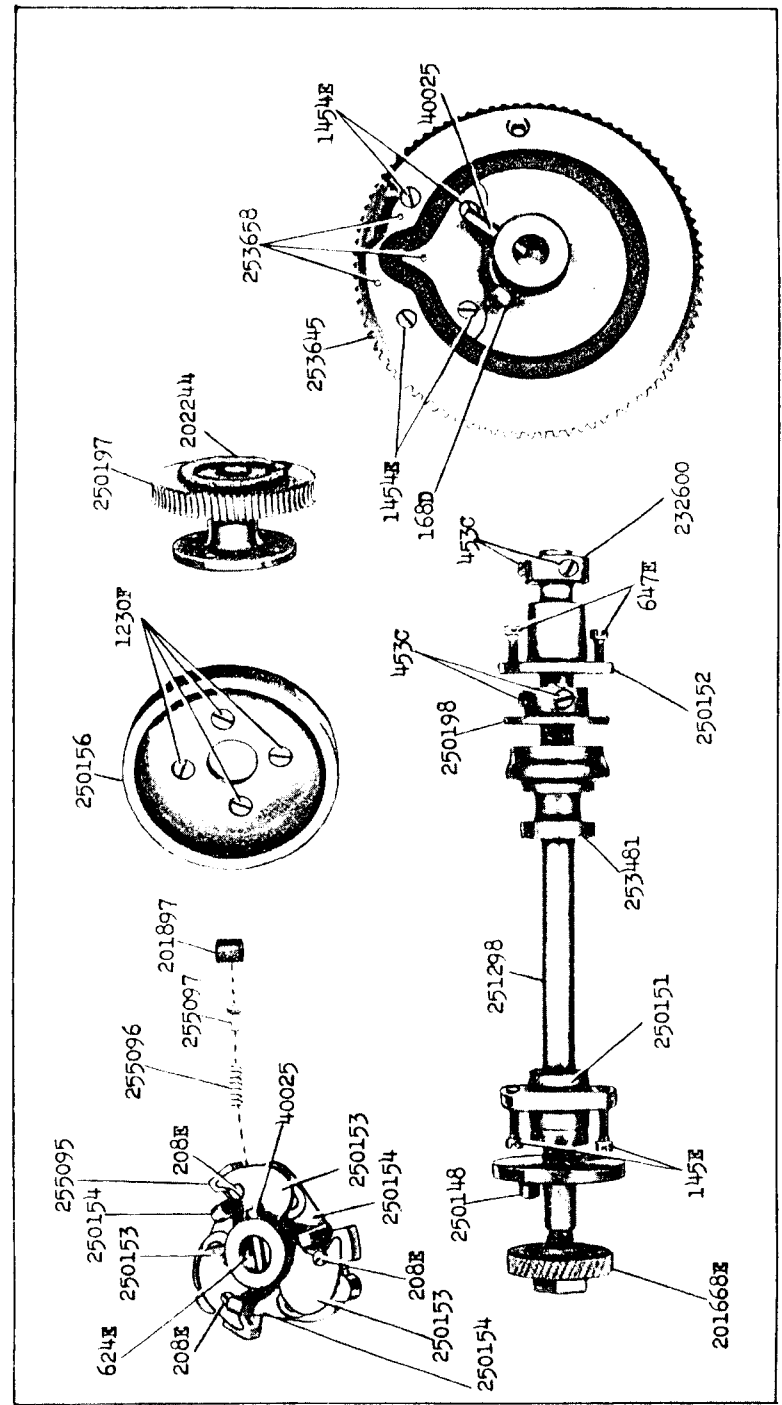


16493 - 1/2

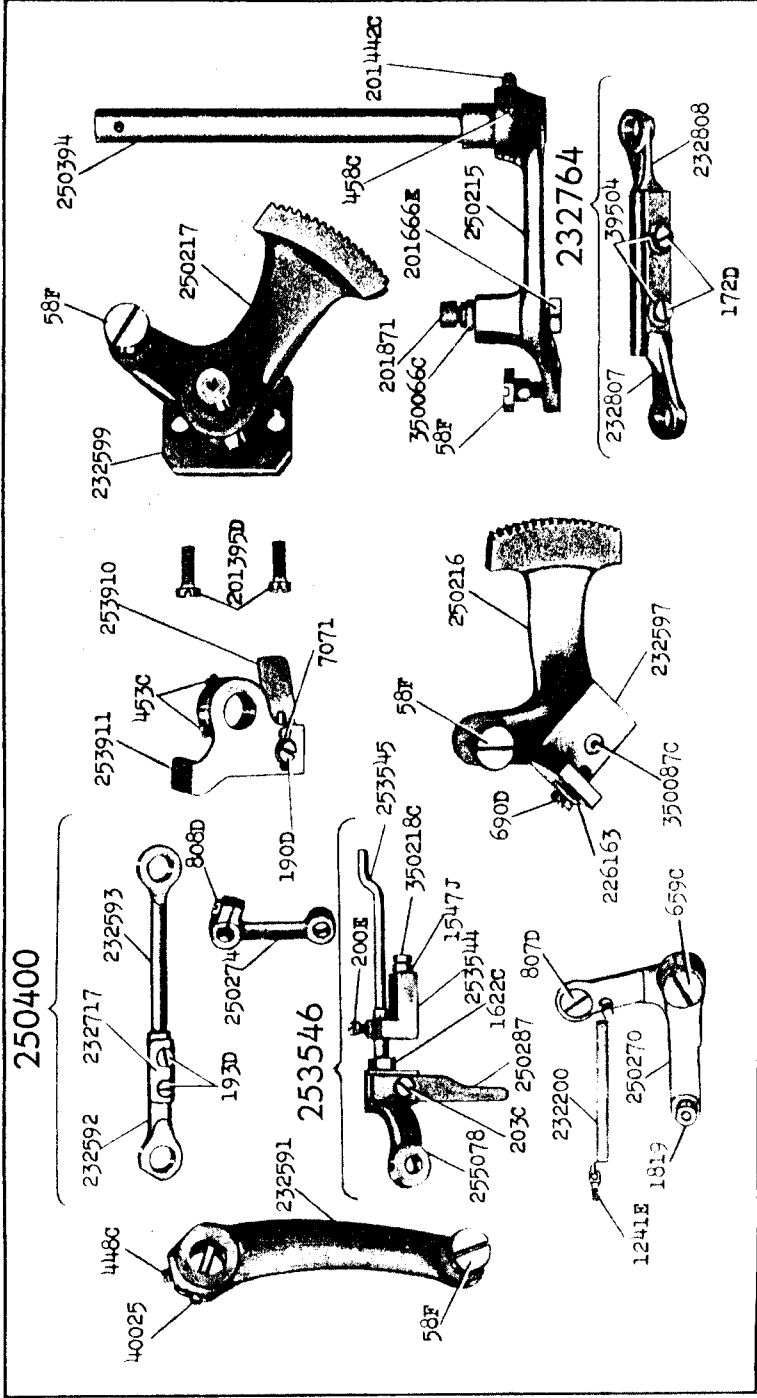
253935 - 1/2 T.B.(S) 253913 - 17/32 T.B.(S)



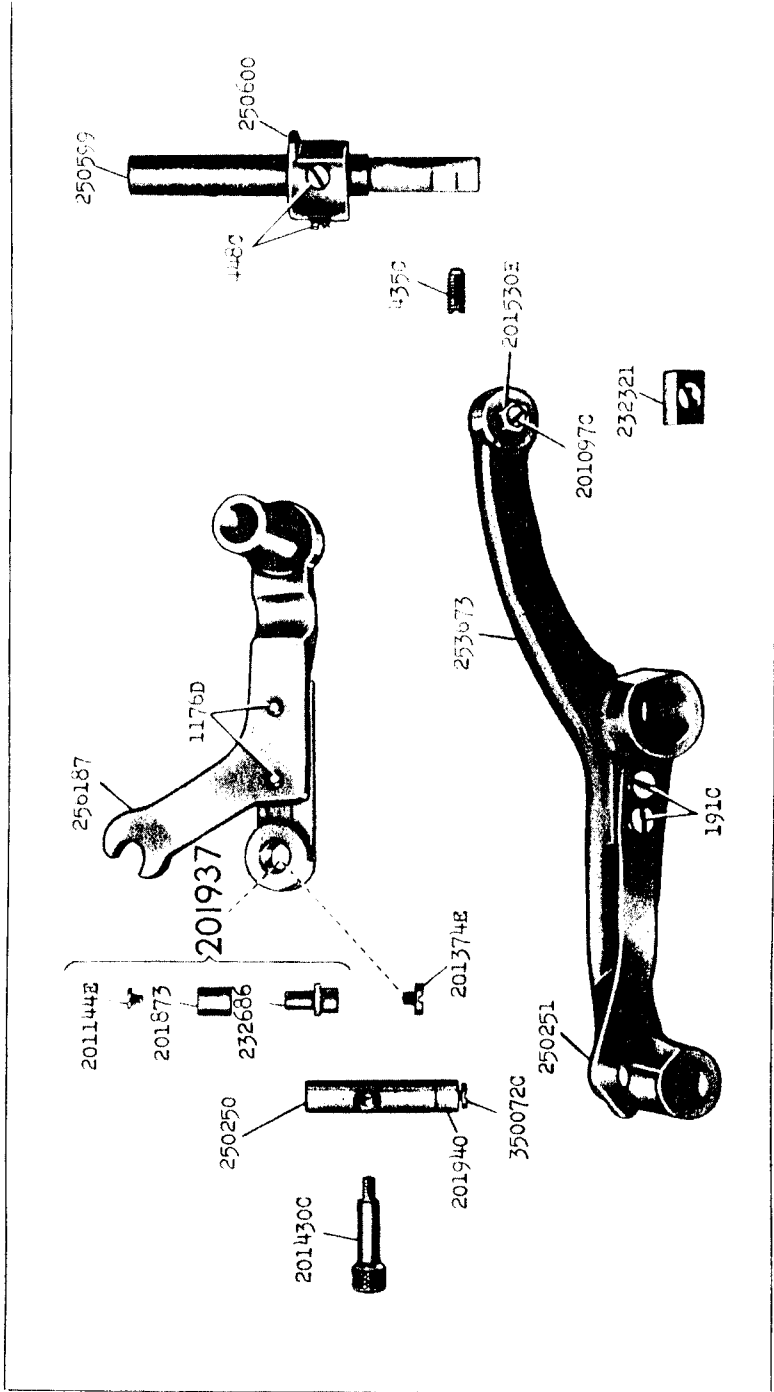
16494 - 3/8



16495 - 3/8

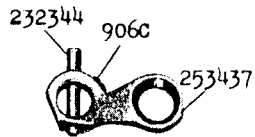
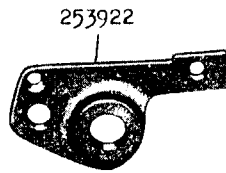
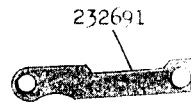
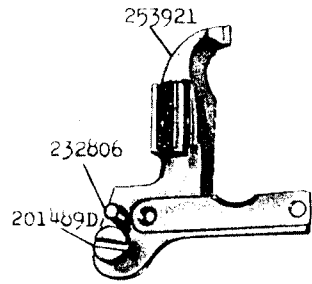


16496 - 1/2



16497

253938



201406E

232690

1348E

253923

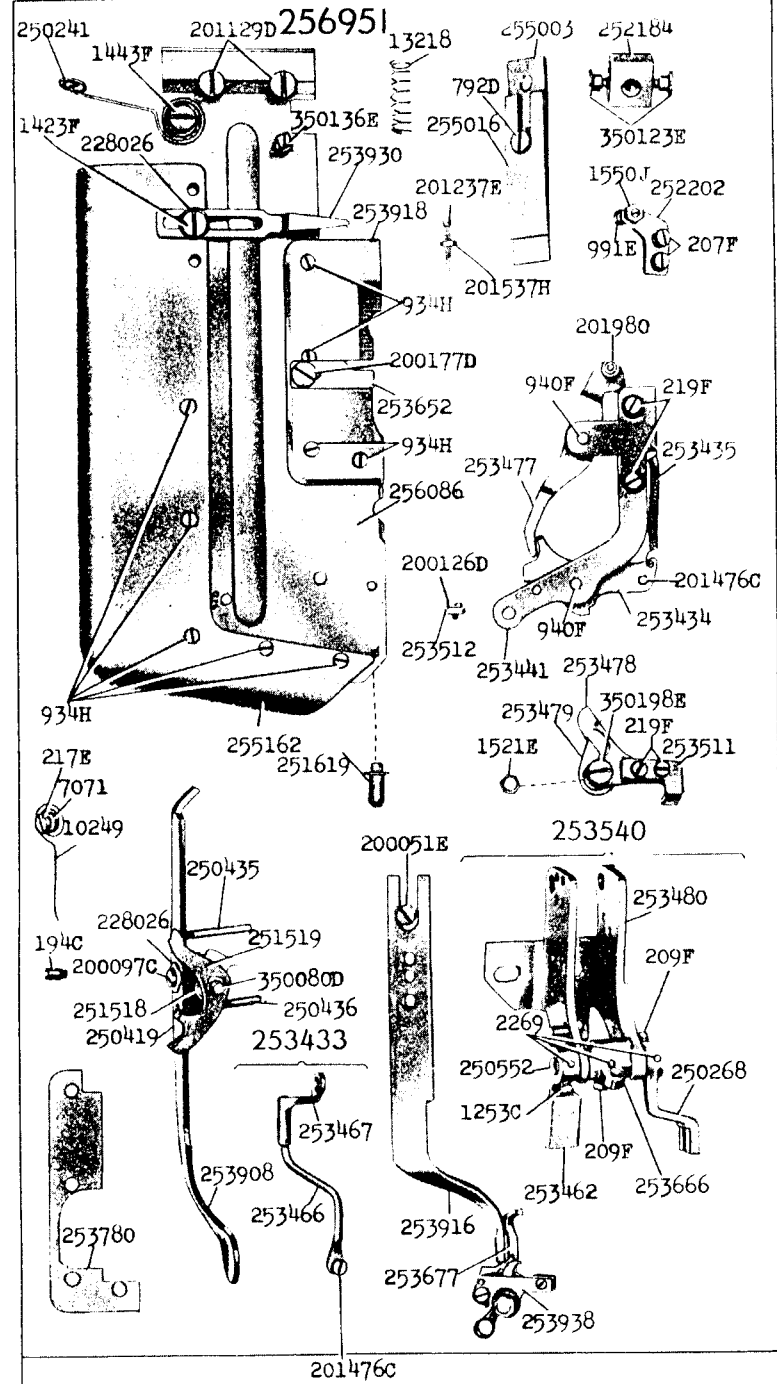
662D

253925

253926

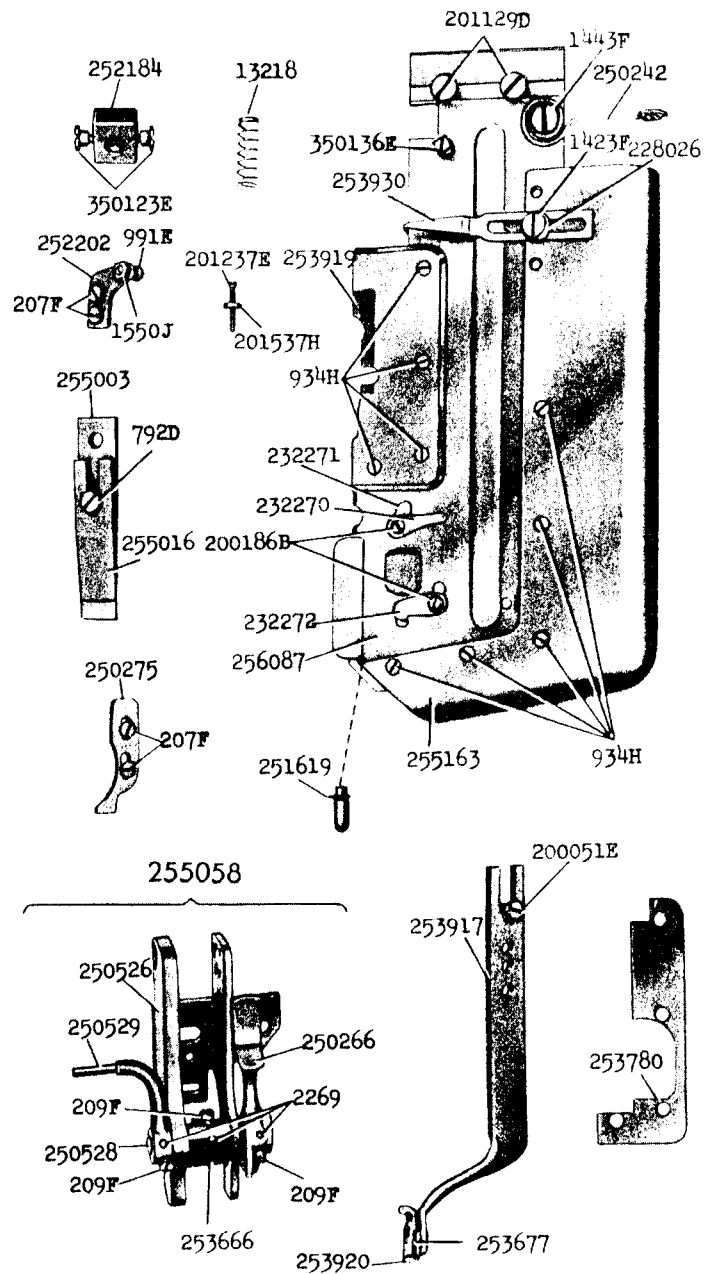
237F

16498 - 3/8



16499 - 3/8

256952



16500 - 2/3

