

Form 19573  
(141)  
Printed in U. S. A.

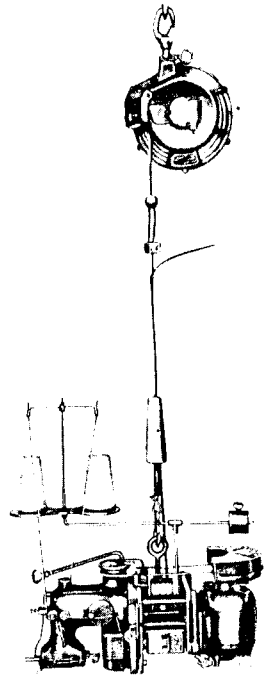
HISTORICAL COPY  
DO NOT REMOVE

**SINGER**

146-32

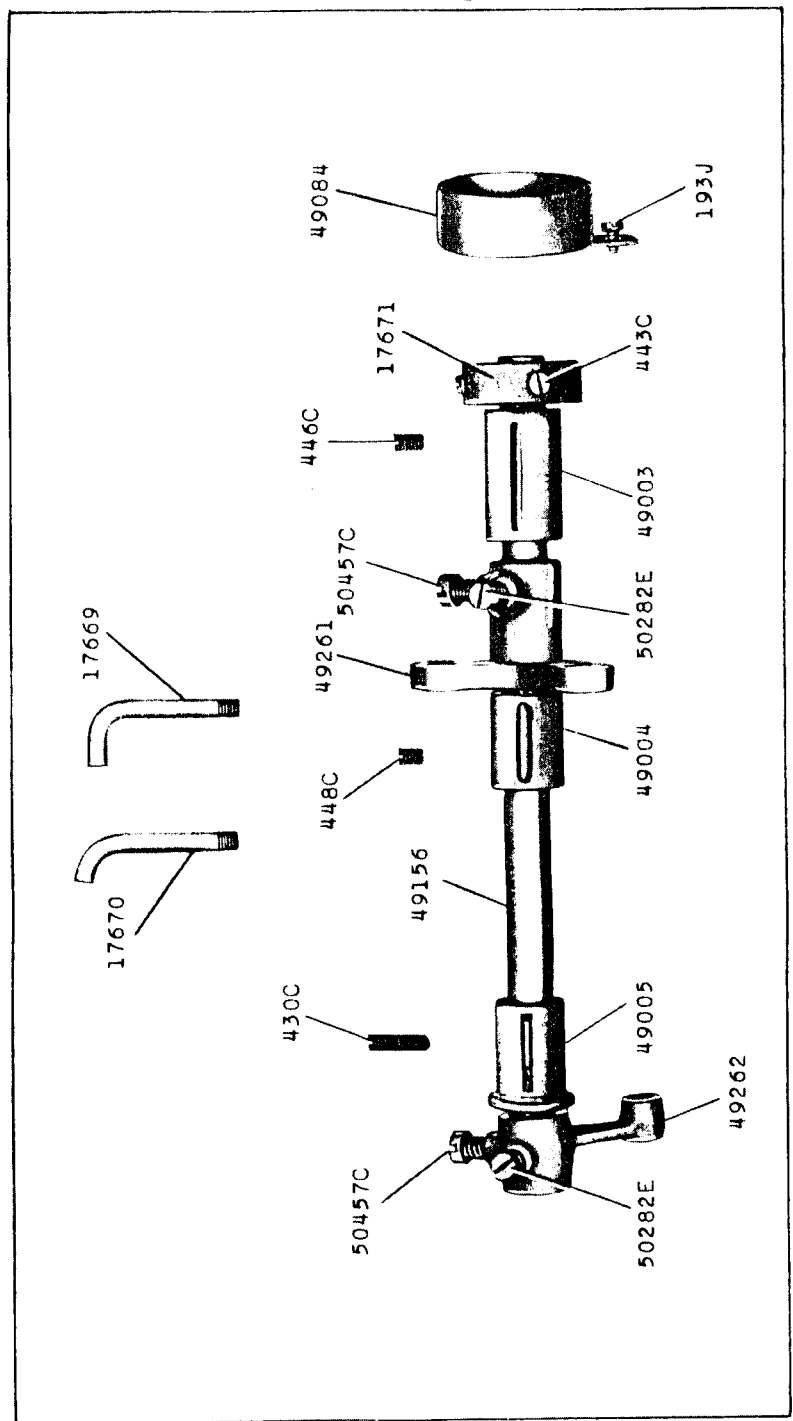


**THE SINGER MANUFACTURING COMPANY**

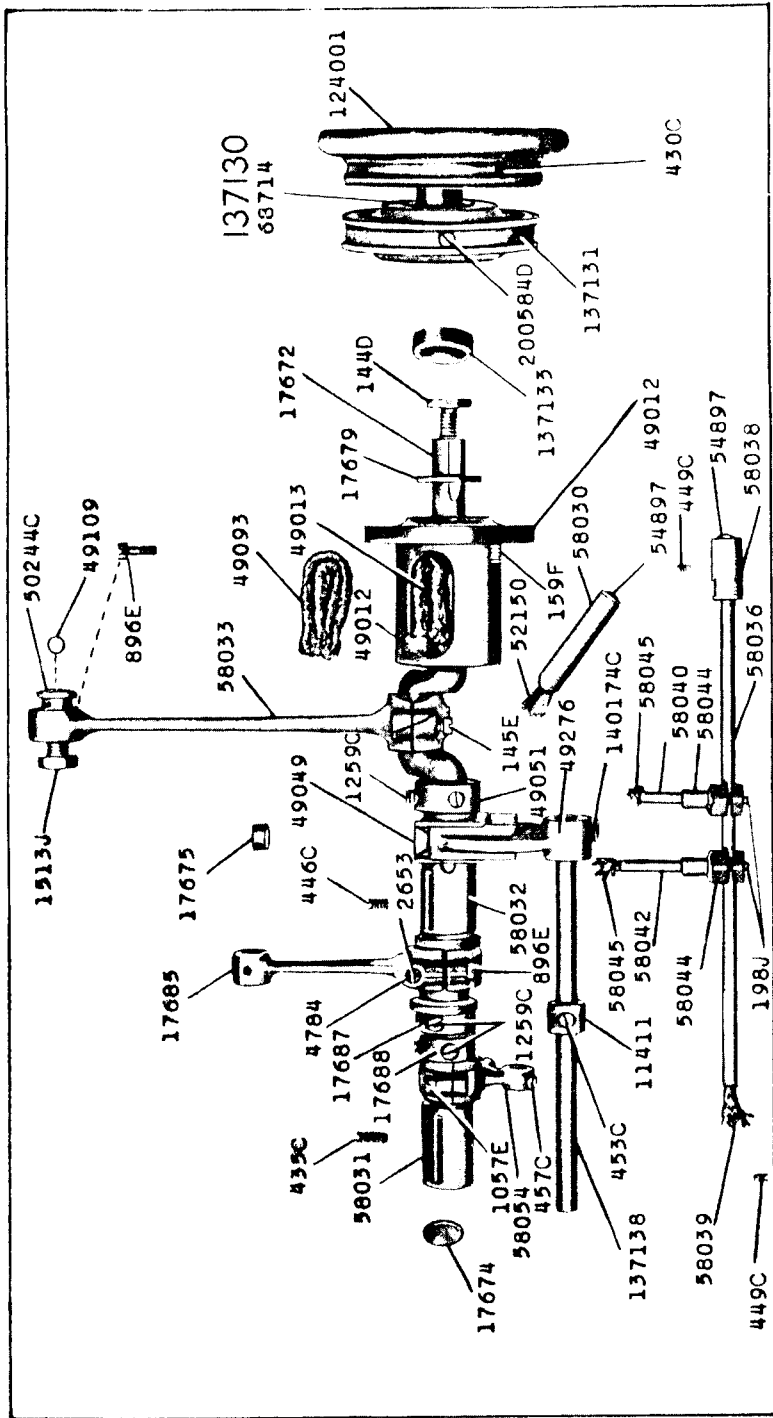


Copyright, U. S. A., 1939 and 1941  
 by The Singer Manufacturing Co.  
 All Rights Reserved for all Countries

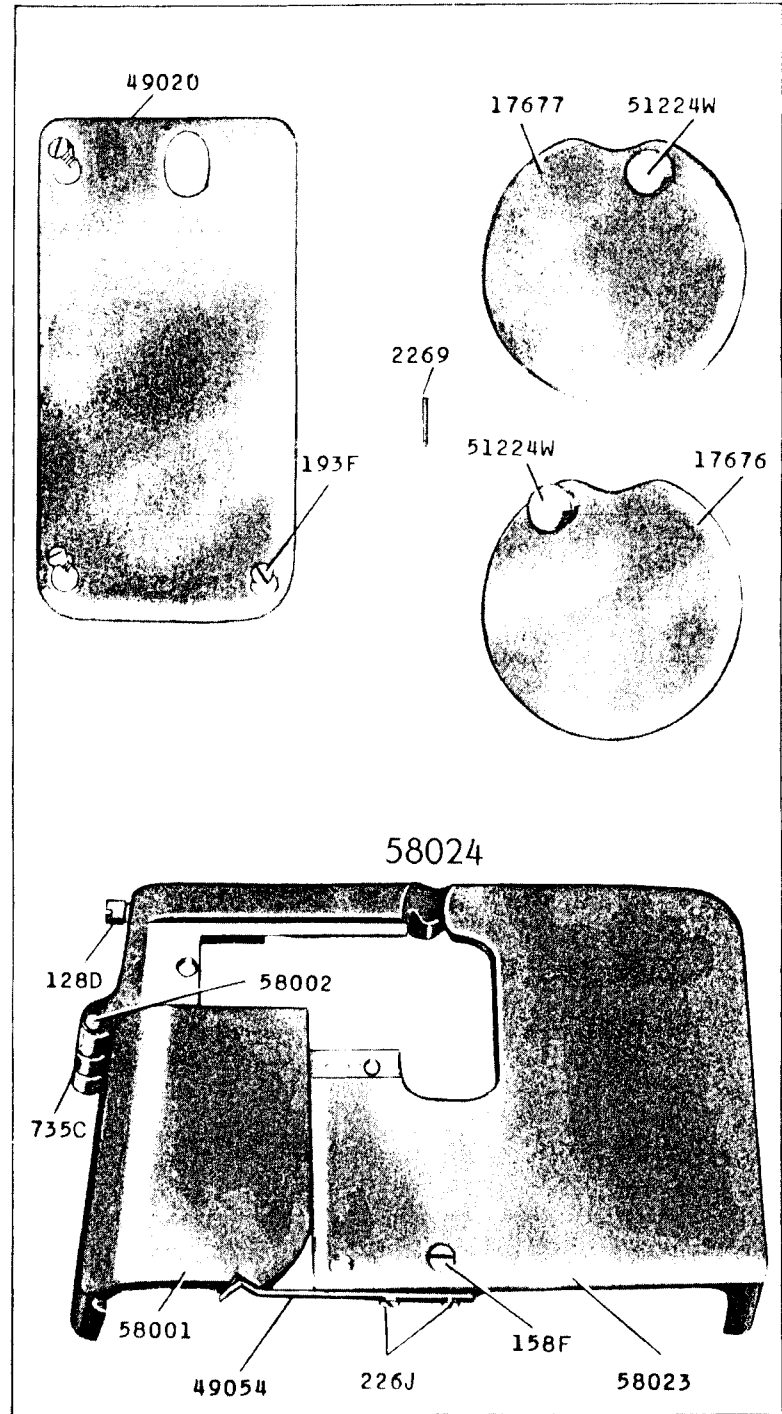
21519 - 1/2



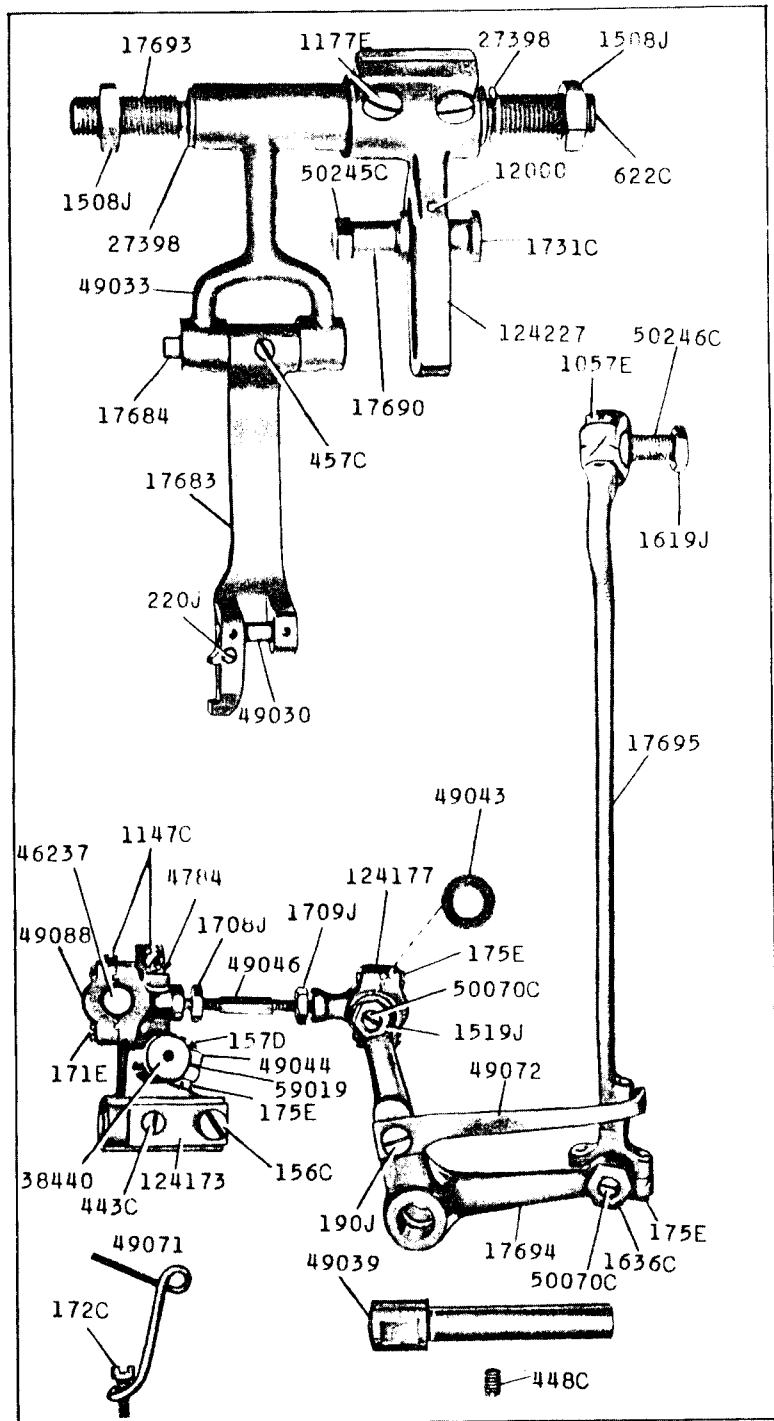
21520 - 1/3



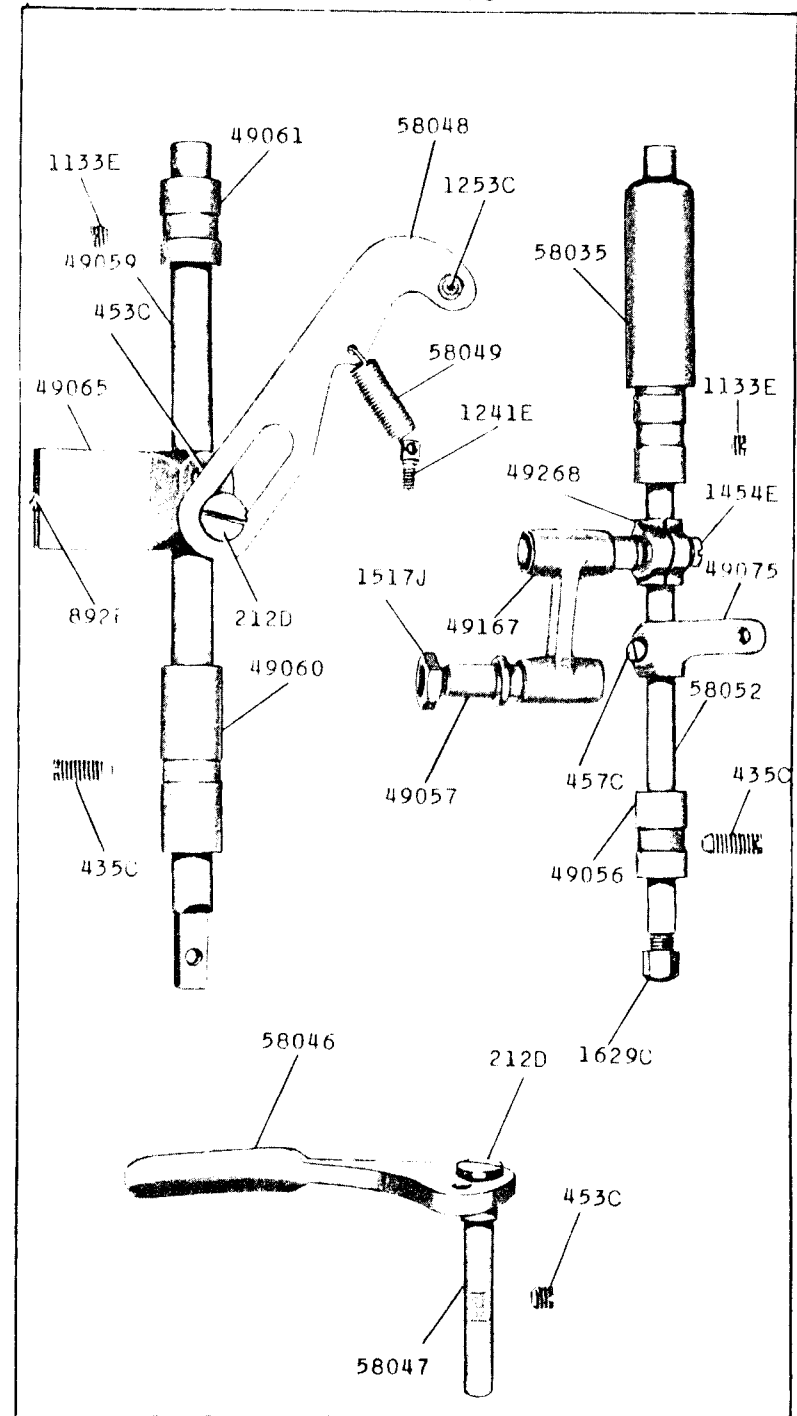
21521 - 1/3



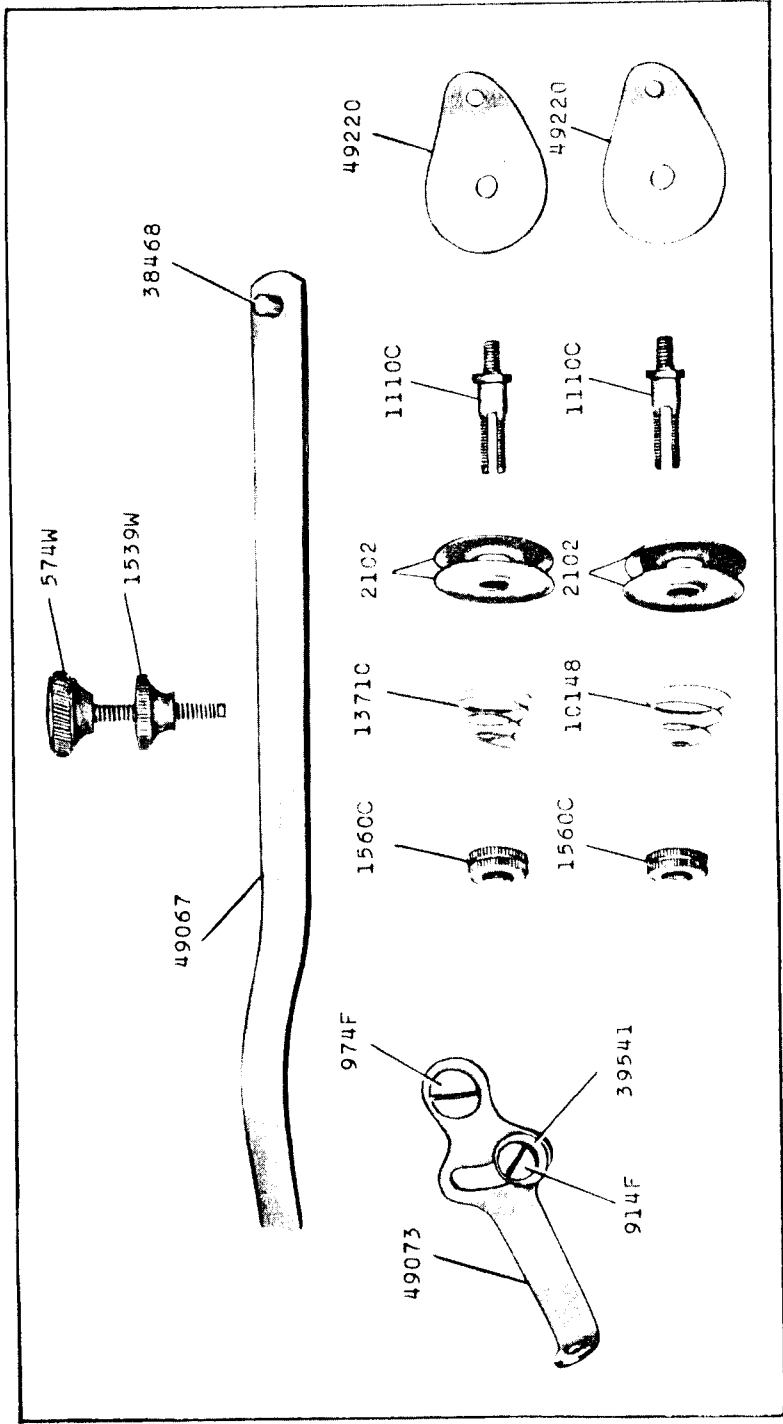
21522 - 1/2



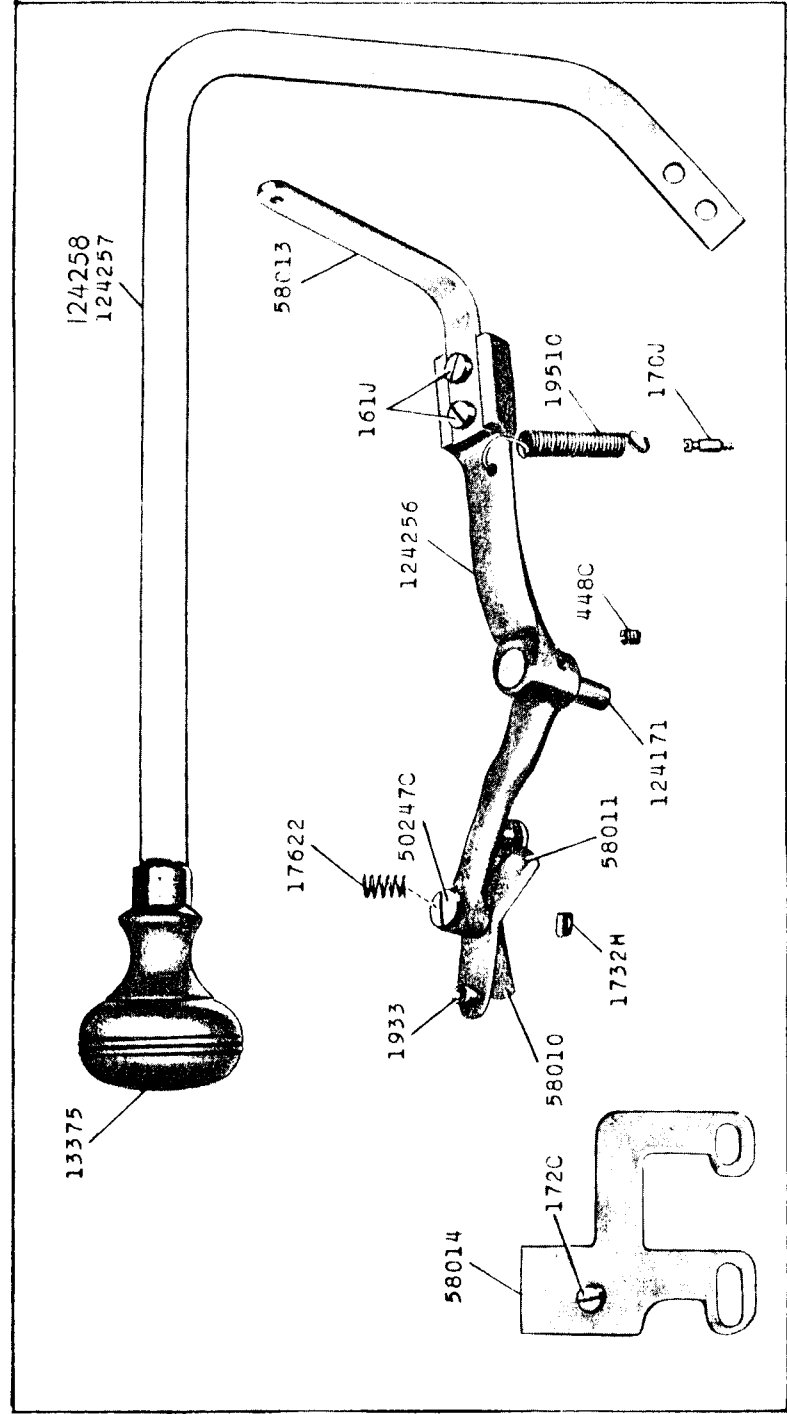
21523 - 2/3

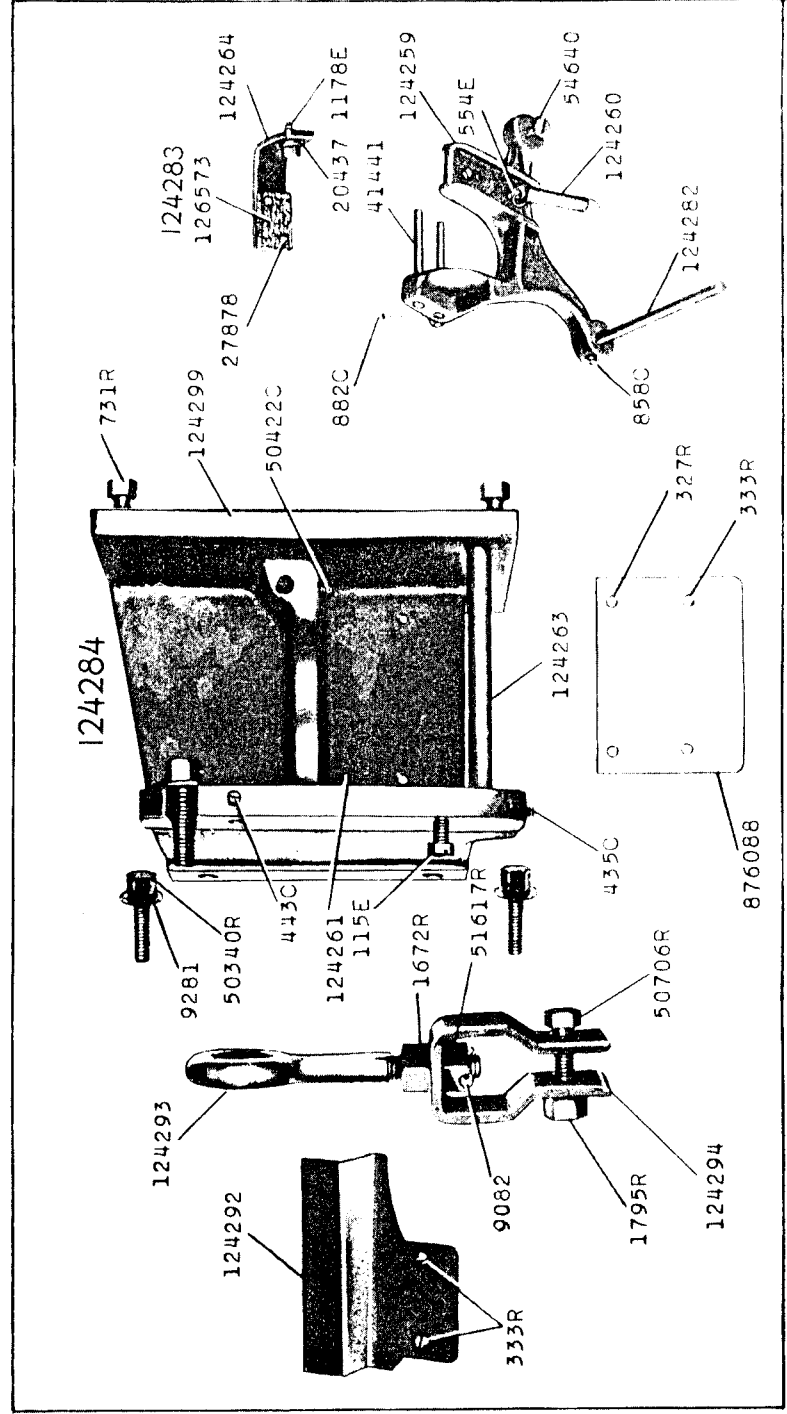
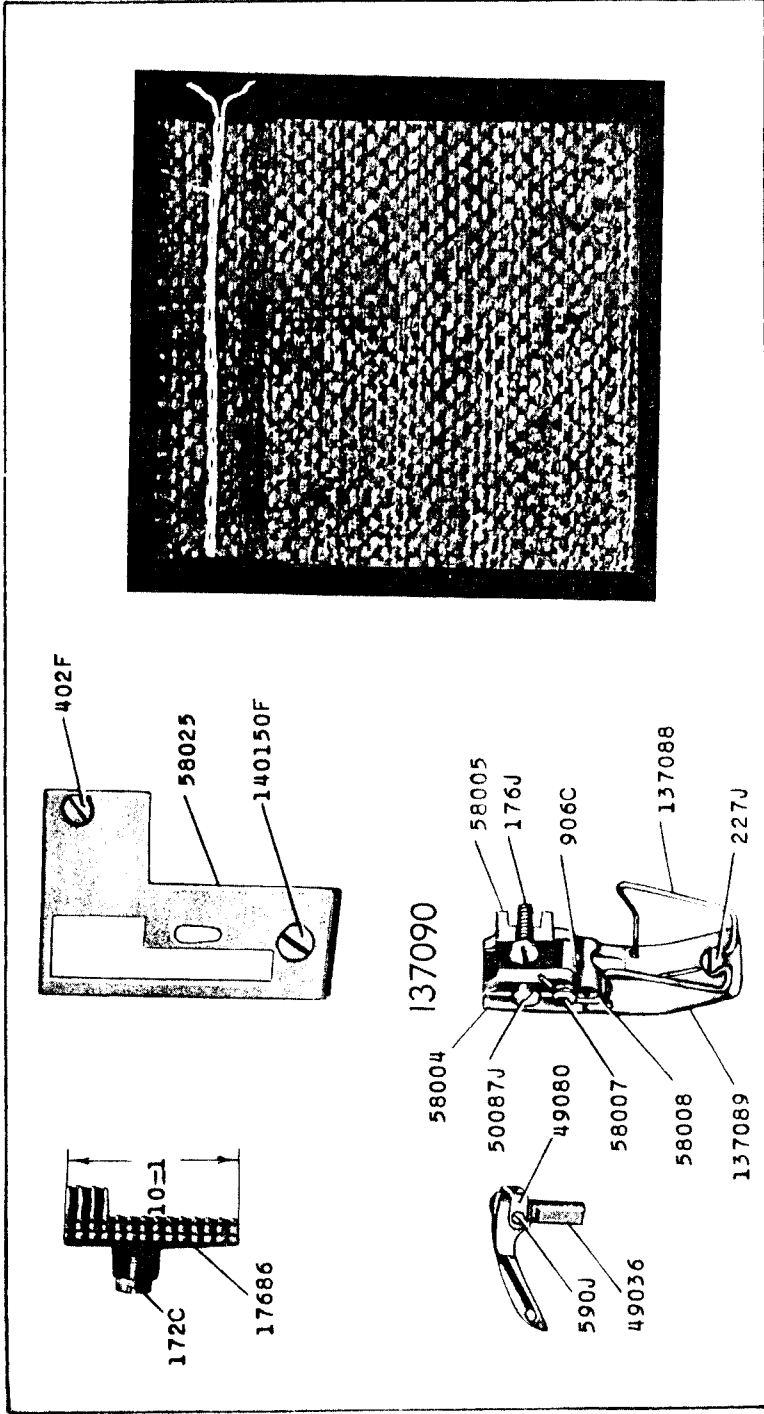


21524 - 2/3



21525 - 1/2

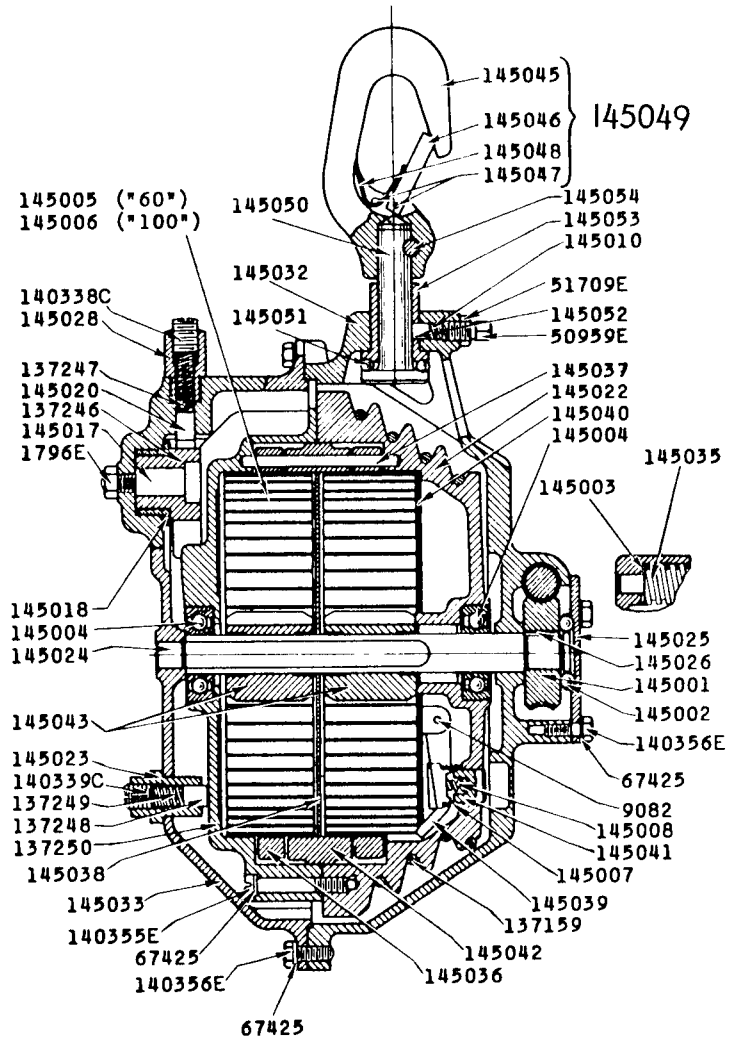




21530A

FRONT VIEW - CROSS SECTION

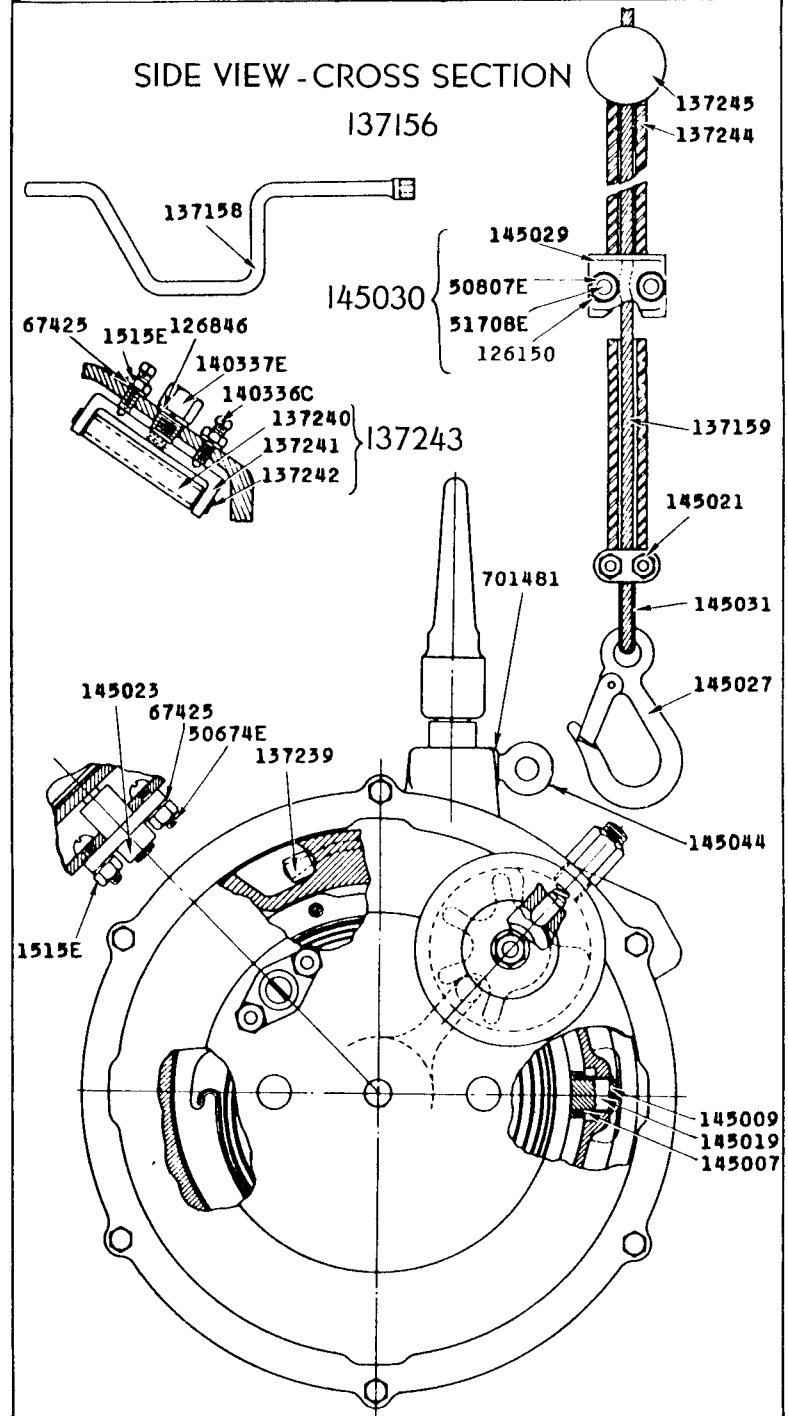
137156



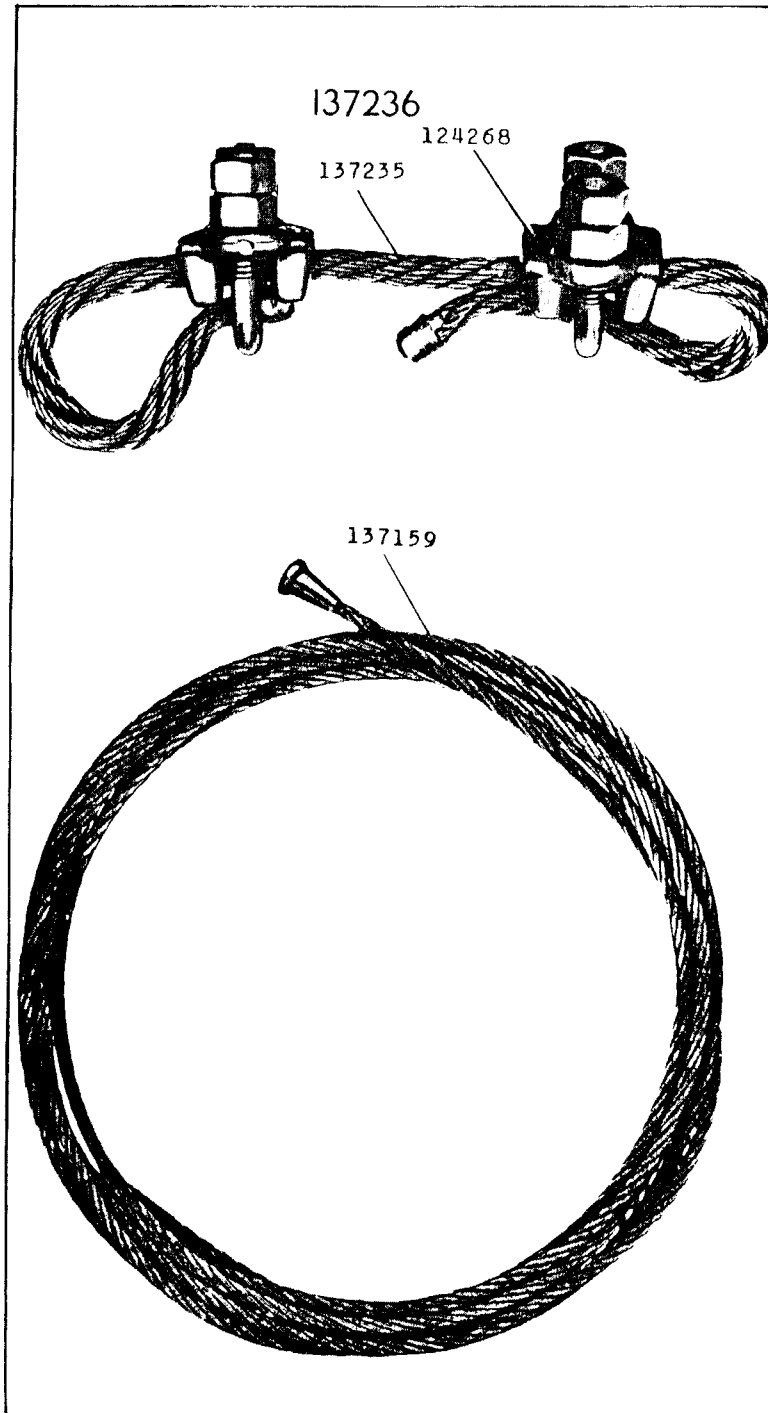
21530B

SIDE VIEW - CROSS SECTION

137156



21531 - 1/2



21532 - 1/3

