

**SINGER**  
**231-33,-34,-35**

Form 19381

( 140 )

Printed in U. S. A.

# LIST OF PARTS



MACHINES  
Nos. 231-33, 231-34  
and 231-35

---

\*\*\* A TRADE MARK OF  
THE SINGER MANUFACTURING COMPANY

# INSTRUCTIONS FOR OILING

---

BEFORE STARTING THE MACHINE, fill reservoir in arm to level of mark on gauge. Inspect often enough to keep oil level from going below mark on gauge.

To ensure easy running and prevent unnecessary wear of the parts which are in movable contact, the machine requires oiling, and when in continuous use, "TYPE D" OIL, sold only by Singer Sewing Machine Company, should be applied at least twice each day to all oil holes marked "OIL," as instructed in Form 19194.

"TYPE D" OIL is stainless.

## INDEX

	Page
Accessories.....	23
Belt Guards.....	23
Foot Lifter and Starting Treadle Parts.....	23
Front Planks.....	25
Idlers.....	25
Lap Seam Fellers.....	27
Machine Cushions.....	27
Machine No. 231-33.....	5
Machine No. 231-34.....	17
Machine No. 231-35.....	20
Numerical List of Parts.....	29
Thread Unwinder (for Six Cones).....	27
Thread Unwinder Spool Rests.....	28

## INSTRUCTIONS FOR ORDERING

In ordering from this list, use ONLY the part NUMBER in the FIRST column.

The number stamped on a Sewing Machine Part is in every case the number of the single part only.

Every combination of parts sent out as such has its specific number, which, although not stamped on the parts, must be used when ordering the combination.

Each number always indicates the SAME PART in whatever list it appears, or for whatever machine.

The letters after some of the numbers indicate the style of finish only, as follows:

- A-Hardened, Polished, Nickel Plated and Buffed
- A.A-Buffed and Chromium Plated
- A.B-Hardened, Polished, Buffed and Chromium Plated
- A.C-Brown Baking Enamel Finish
- A.D-Gray Baking Enamel Finish
- A.E-Hardened, Bright Rumbled and Nickel Plated
- A.F-Hardened, Bright Rumbled, Nickel Plated, Bright Rumbled and Chromium Plated
- B-Polished, Nickel Plated and Buffed
- C-Hardened Only
- C.R-Hardened and Merlized
- D-Polished Only
- E-Soft, Not Polished
- F-Hardened and Polished
- F.J-Hardened, Polished and Nickel Plated
- G-Bright Rumbled and Nickel Plated
- H-Blued
- J-Nickel Plated Only
- K-Hardened and Nickel Plated
- L-Brass Plated
- M-Oxidized
- N-Japanned, Dull
- P-Japanned, Bright
- P.F-Wrinkle Finish
- R-Merlized
- S-Cadmium Plated
- T-Copper Plated

- T.A-Hardened, Polished, Copper and Nickel Plated and Buffed
- T.B-Copper and Nickel Plated and Polished
- T.J-Copper and Nickel Plated Only
- T.K-Hardened, Copper and Nickel Plated
- T.L-Copper and Brass Plated
- T.M-Copper Plated and Oxidized
- U-Zinc Plated
- V-Silver Plated
- W-Polished and Nickel Plated
- X-Black Oxide, for Iron and Steel
- X.C-Hardened and Black Oxide, for Iron or Steel
- Y-Black Nickel Plated Only
- Z-Chromium Plated
- Z.A-Hardened, Polished, Nickel Plated, Buffed and Chromium Plated
- Z.B-Polished, Nickel Plated, Buffed and Chromium Plated
- Z.C-Hardened and Chromium Plated
- Z.D-Polished and Chromium Plated
- Z.G-Bright Rumbled, Nickel Plated, Bright Rumbled and Chromium Plated
- Z.J-Nickel and Chromium Plated
- Z.T-Copper and Chromium Plated

These letters MUST BE USED when they appear in the list; and AFTER the number as in the list.

In this series:

- 1 to 1500, 50001 to 51500 and 14000 to 14200 are Screw Numbers
- 1501 to 1800 and 51501 to 51800 are Nut Numbers
- 1801 to 2000 and 51801 to 52000 are Roller Numbers
- 2001 to 50000 and 52001 to 140000 and 142001 to 190000 are Sewing Machine Parts, 190001 and upward are numbers of Electrical Parts.

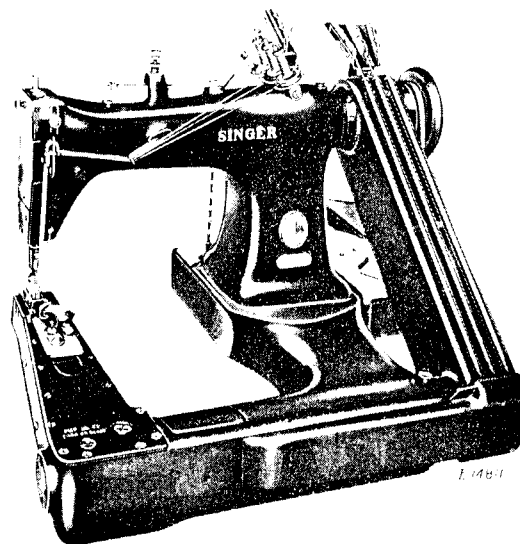
The figures in the second column refer only to the plates illustrating the parts, and are NOT TO BE USED in ordering.

Parts marked with an asterisk (\*) are furnished only when repairs are made at factory.

When ordering parts which differ as to Gauge (the distance between seams) the Gauge, as well as the Number must be given on order.

## LIST OF PARTS COMPLETE

FOR



### MACHINE No. 231-33

For Lap Seam Felling Work Shirts, Pajamas, Etc., of light weight materials. The machine has Three needles, three loopers. Feed off the arm two-thread chain-stitch. Gauges,  $\frac{3}{32}$  inch to  $\frac{3}{16}$  inch between each needle, in steps of  $\frac{1}{64}$  inch. Drop Feed. Arm and bed rotary shafts are equipped with ball bearings. An oiling system automatically oils all the principal bearings and moving parts of the feed and looper mechanism. The needle bar driving mechanism is automatically oiled by an oil cup (sight feed) located on the balance wheel end of the rotary shaft. Needle bar stroke  $1\frac{1}{16}$  inch. Length of stitch 8 to 22 to the inch. Speed up to 4000 R. P. M. according to the material being stitched.

No.	Plate	Name
*139349	-----	Arm with 15404 and two 15405.....
3533	23096	" Dowel Pin.....
50608R	23093	" Hole Plug Screw (for access to Arm Rotary Shaft Crank Set Screw.....
139002	23093	Arm Rotary Shaft.....
139225	-----	" " " 159002 with 139226.....
150483	23093	" " " Ball Bearing (back)....
139003	23093	" " " " " " Case
139004	23093	" " " " " " " "
		Nut.....

No.	Plate	Name
50422C	23093	Arm Rotary Shaft Ball Bearing (back) Case Set Screw.....
68350	23093	Arm Rotary Shaft Ball Bearing (back) Oil Cup.....
131319	23093	Arm Rotary Shaft Ball Bearing (back) Oil Cup Oil Pad (braided cotton).....
139005	23093	Arm Rotary Shaft Ball Bearing (back) Spacing Collar.....
139006	23093	Arm Rotary Shaft Ball Bearing (front)...
68350	23093	" " " " " " Oil Cup.....
131319	23093	Arm Rotary Shaft Ball Bearing (front) Oil Cup Oil Pad (braided cotton).....
139007	23093	Arm Rotary Shaft Ball Bearing (front) Oil Retainer (back).....
139008	23093	Arm Rotary Shaft Ball Bearing (front) Oil Retainer (front).....
139009	23093	Arm Rotary Shaft Crank with two each 1036C and 1149C.....
139226	-----	Arm Rotary Shaft Crank 139009 with 139105.....
1149C	23093	Arm Rotary Shaft Crank Set Screw.....
51185F	23093	" " " Screw.....
139010	23093	" " " Sprocket Wheel with two each 201254C and 201253.....
201254C	23093	Arm Rotary Shaft Sprocket Wheel Set Screw.....
202253	23093	Arm Rotary Shaft Sprocket Wheel Spring Flange.....
116E	23096	Arm Screw.....
139011	23093	Balance Wheel, 3 in. pulley, with two 51224C.....
51224C	23093	Balance Wheel Set Screw.....
*139249	-----	Bed.....
139251	23097	" Cover with 139253 and two 50411E....
139252	23097	" " Gasket (cork).....
139253	23097	" " " Clamping Plate.....
50411E	23097	" " " " " Screw....
50608R	23097	" " " Hole Plug Screw.....
139017	23097	" " " " " Washer.....
50004C	23097	" " " Screw.....
139337	23096	" Extension.....
783E	23096	" " " Screw.....
50608R	23093	" Oil Drain Plug Screw.....
139017	23093	" " " " " Washer.....
139022	23097	" " Gauge.....
139025	23093	" Rotary Shaft.....
139026	23093	" " " Ball Bearing (intermediate).....
139028	23093	Bed Rotary Shaft Ball Bearing (intermediate) Sleeve with two 462C.....

No.	Plate	Name
462C	23093	Bed Rotary Shaft Ball Bearing (intermediate) Sleeve Set Screw.....
1392731	23093	Bed Rotary Shaft Ball Bearing (left)....
139030	23093	" " " " " " " Cover
139031	23093	" " " " " " " " Gasket.....
202R	23093	Bed Rotary Shaft Ball Bearing (left) Cover Screw.....
150483	23093	Bed Rotary Shaft Ball Bearing (right)...
139032	23093	" " " " " " " Case
139004	23093	" " " " " " " " Nut.....
50422C	23093	Bed Rotary Shaft Ball Bearing (right) Case Set Screw.....
68350	23093	Bed Rotary Shaft Ball Bearing (right) Oil Cup.....
131319	23093	Bed Rotary Shaft Ball Bearing (right) Oil Cup Oil Pad (braided cotton).....
139033	23093	Bed Rotary Shaft Ball Bearing (right) Spacing Collar.....
249311	23093	Bed Rotary Shaft Belt.....
139286	23096	" " " " " Guard with two 200365C.....
139035	23096	Bed Rotary Shaft Belt Guard Cover.....
139036	23096	" " " " " " " 139035 with 139037.....
139037	23096	Bed Rotary Shaft Belt Guard Cover Gasket (cork).....
200092F	23096	Bed Rotary Shaft Belt Guard Cover Screw.....
200363C	23096	" " " " " " " Set Screw...
1480D	23093	" " " " " " " Screw (left).....
50040D	23093	" " " " " " " (right).....
139038	23093	" " " " " " " Sprocket Wheel with 200253 and two 201254C.....
201254C	23093	Bed Rotary Shaft Sprocket Wheel Set Screw.....
202253	23093	Bed Rotary Shaft Sprocket Wheel Spring Flange.....
139039	23098	Face Plate (lower half).....
139040	23098	" " " " " Gasket (cork)...
391J	23098	" " " " " Screw.....
139333	23098	" " (upper half).....
29234	23098	" " " " " Position Plate..
1053E	23098	" " " " " " " " Screw.....
51224W	23098	Face Plate (upper half) Thumb Screw....
139043	23098	Feed Bar.....
139256	23098	" " " " " " " Hinge Pin (eccentric).....
443C	23098	" " " " " " " Set Screw.....
1520J	23098	" " " " " " " Lock Nut...

No.	Plate	Name
139046	23098	Feed Bar Hinge Pin Slide Block.....
139340	23101	" Dog, 20 teeth (14 teeth to the inch) for 3/32-3/32 in. gauge, for 139346.
139347	23101	Feed Dog, 20 teeth (14 teeth to the inch) for 7/64-7/64 in. and 1/8-1/8 in. gauges, for 139348.....
1255E	23101	Feed Dog Screw.....
51061C	23098	" Eccentric Body Set Screw.....
7071	23098	" " Clamping Washer.....
217J	23098	" " " " Screw....
139052	23098	Feed Eccentric (adjustable) complete, Nos. 117J, 7071, 50150C and two 51061C
139053	23098	Feed Eccentric Slide Block.....
139054	23098	" Lifting Eccentric Forked Connection
157J	23098	" " " " " "
		Screw.....
139055	23098	Feed Lifting Eccentric Forked Connection Slide Block.....
50323C	23098	Feed Regulating Screw.....
139338	23101	Looper (back).....
Note: When ordering Loopers, state gauge required.		
139339	23101	Looper (front).....
139288	23101	" (Intermediate).....
139058	23098	" Avoiding Eccentric with two 50150C
139059	23098	" " " Forked Connection
139060	23098	" " " " " "
		Bracket with 456C.....
122E	23098	Looper Avoiding Eccentric Forked Connec- tion Bracket Screw.....
139257	23098	Looper Avoiding Eccentric Forked Connec- tion Crank (forked) with 122E.....
1324C	23098	Looper Avoiding Eccentric Forked Connec- tion Crank Clamping Screw.....
139055	23098	Looper Avoiding Eccentric Forked Connec- tion Slide Block.....
50150C	23098	Looper Avoiding Eccentric Set Screw....
935C	23098	" Clamping Screw.....
139062	23098	" Driving Arm with 122E.....
139063	-----	" " " 139062 with 139062 and 139070.....
139064	23098	Looper Driving Arm Connecting Link.....
139065	23098	" " " " " Hinge Pin.....
1047C	23098	Looper Driving Arm Connecting Link Hinge Pin Set Screw.....
139066	23098	Looper Driving Arm Connection with four 122E.....
175E	23098	Looper Driving Arm Connection Cap (lower) Screw.....
175E	23098	Looper Driving Arm Connection Cap (upper) Screw.....

No.	Plate	Name
139069	23098	Looper Driving Arm Connection Crank with 1057E.....
139070	23098	Looper Driving Arm Connection Crank Ball Screw Stud.....
1520J	23098	Looper Driving Arm Connection Crank Ball Screw Stud Nut.....
128551	23098	Looper Driving Arm Connection Crank Ball Screw Stud Nut Lock Washer.....
1057E	23098	Looper Driving Arm Connection Crank Clamping Screw.....
139352	23098	Looper Driving Arm Hinge Stud.....
443C	23098	" " " " " Set Screw.
139072	23098	" Eccentric and Feed Lifting Eccen- tric with two 1259C.....
1259C	23098	Looper Eccentric and Feed Lifting Eccen- tric Set Screw.....
139073	23098	Looper Eccentric Connection with 1047C..
139074	23098	" " " Slide Block.
139075	23098	" " " " " "
		Screw Stud.....
139076	23098	Looper Eccentric Connection Slide Block Screw Stud Collar with two 1253C....
1253C	23098	Looper Eccentric Connection Slide Block Screw Stud Collar Set Screw.....
456C	23098	Looper Eccentric Connection Slide Block Screw Stud Set Screw.....
139411	23098	Looper Eccentric Connection Slide Block Screw Stud Washer (leather).....
139264	23097	Looper Gate (left).....
139271	23097	" " (right).....
139272	23097	" " Retaining Spring.....
190J	23097	" " " " " Screw.....
139289	23098	" Holder with 172E, 935C and 126276.
172E	23098	" " Clamping Screw.....
139094	23098	" " Shaft.....
139095	23098	" " " Bushing (back).....
435C	23098	" " " " " Set Screw.....
139096	23098	Looper Holder Shaft Bushing (front)....
435C	23098	" " " " " Set Screw.....
139097	23098	Looper Holder Shaft Collar with 1454E... 1454E 23098 " " " " Clamping Screw
26276	23098	" Position Pin.....
139381	23098	" Thread Guide.....
206J	23098	" " " " " Screw.....
139099	23098	Needle Bar (hollow).....
139291	-----	Needle Bar complete, for 3/32-3/32 in. to 3/16-3/16 in. gauges, Nos. 128615 and 139099.....

No.	Plate	Name
139101	23098	Needle Bar Bushing (lower).....
1133E	23098	" " " " Set Screw....
139102	23098	" " Connecting Link.....
139103	-----	" " " " 139102 with 139105 and 139108.....
139105	23093	Needle Bar Connecting Link Hinge Stud...
139239	23093	" " " " Oil Pad (braided cotton).....
1036C	23093	Needle Bar Connecting Link Hinge Stud Set Screw.....
139229	23098	Needle Bar Connecting Link Spacing Wash- er, thickness .004", .008" or .012".
Note: When ordering No. 139229, state thickness re- quired.		
139108	23098	Needle Bar Connecting Stud with 175E....
175E	23098	" " " " Clamping Screw
139110	23098	" " " " Oil Pad (wick)
139111	23098	" " " " Slide Block...
139112	23098	" " " " " " "
1057C	23098	Needle Bar Connecting Stud Slide Block Guide.....
59456	23098	Needle Bar Connecting Stud Slide Block Guide Screw.....
139113	23098	Needle Bar Connecting Stud Slide Block Guide Screw Washer.....
52146	23098	" " " " Oil Pad (inside)braided cotton.....
139114	23098	Needle Bar Guide Oil Pad(outside) felt..
1133E	23098	" " " " Set Screw.....
139115	23098	" " Thread Guide.....
330W	23098	" " " " Screw.....
5901E	23098	" " " " Washer....
128215	23098	" Clamp with three 1498F.....
139335	23101	" Guard, for 3/32-3/32 in. to 9/64-9/64 in. gauges.....
139292	23102	Needle Guard, for 5/32-5/32 in. to 3/16- 3/16 in. gauges.....
139130	23098	Needle Guard Holder.....
453C	23098	" " " " Set Screw.....
1167E	23098	" " " " Screw.....
1498F	23098	" " " " Set Screw.....
139121	23093	Oil Cup Body.....
139122	23093	" " " " Cap (transparent).....
139123	23093	" " " " Gasket (cork).....
139124	23093	" " " " Retainer.....
131C	23093	" " " " " " Screw.....
50617B	23093	" " " " Oil Plug Screw.....
139125	23093	" " " " " " Washer.....
139126	23093	Oil Cup complete, for oiling Needle Bar Connecting Link, Nos. 50617B, 139121 to 139125 and four 131C.....

No.	Plate	Name
139127	23093	Oil Cup Gasket (soft leather).....
139128	23093	Presser Bar with 25303.....
25303	23093	" " Ball, size 1/4 in.....
139129	23098	" " Bushing (lower).....
1133E	23098	" " " " Set Screw...
38456	23098	" " " (upper).....
1153E	23098	" " " " Set Screw...
139130	23098	" " Lifting Bracket with 1057E..
1057E	23098	" " " " Clamping Screw
139131	23107	" " " " Lifter.....
807D	23107	" " " " " " Hinge Screw.....
139132	23107	Presser Bar Lifting Lever.....
802D	23107	" " " " Hinge Screw...
139133	23107	" " " " Spring.....
38467	23107	" " Spring (flat).....
131198	23107	" " " (auxiliary).....
38468	23107	" " " Stud.....
139341	23101	" Foot Plate.....
139219	23101	" " " Hinge Stud.....
665J	23101	" " " " " " Position Screw.....
139342	23101	Presser Foot Shank.....
139343	23101	" " Yielding Heel.....
139344	23101	" " " " Connection...
18055	23101	" " " " " " Hinge Pin.....
9610	23101	Presser Foot Yielding Heel Connection Spring.....
18055	23101	Presser Foot Yielding Heel Hinge Pin....
139345	23101	Presser Foot (triple hinged) complete, for 3/32-3/32 in. and 7/64-7/64 in. gauges, Nos. 9610, 139341 to 139344 and two each 665J, 18055 and 139219.
139406	23101	Presser Foot Plate.....
128390	23101	" " " " Hinge Stud.....
665J	23101	" " " " " " Position Screw.....
139402	23101	Presser Foot Shank.....
139403	23101	" " Yielding Heel.....
139404	23101	" " " " Connection...
18055	23101	" " " " " " Hinge Pin.....
131534	23101	Presser Foot Yielding Heel Connection Spring.....
18055	23101	Presser Foot Yielding Heel Hinge Pin....
139407	23101	Presser Foot (triple hinged) complete, for 1/8-1/8 in. to 3/16-3/16 in. gauges, Nos. 131534, 139402 to 139404, 139406 and two each 665J, 18055 and 128390.....

No.	Plate	Name
190J	23101	Presser Foot Screw.....
574W	23107	Pressure Regulating Thumb Screw.....
1539W	23107	" " " " Lock Nut
139302	23107	Tension (looper thread) Body and Thread Guide with 13538.....
430C	23107	Tension (looper thread) Body Set Screw..
139276	23107	" " " Tension Plate...
13538	23107	" " " " " Po- sition Pin.....
51486C	23107	Tension (looper thread) Regulating Screw
1423J	23107	" " " " " Cap Screw.....
139140	23107	Tension (looper thread) Regulating Screw Nut with 42639.....
42639	23107	Tension (looper thread) Regulating Screw Nut Position Pin.....
139303	23107	Tension (looper thread) Spring.....
139305	23107	Tension (looper thread) complete, Nos. 1423J, 51486C, 139140, 139302, 139303 and four 139276.....
68002	23107	Tension (needle thread) Bracket.....
376J	23107	" " " " Screw...
2102	23107	" " " Disc.....
51570C	23107	" " " Regulating Thumb Nut.....
32572	23107	Tension (needle thread) Releasing Disc..
54988	23107	" " " " Pin...
68003	23107	" " " " Shaft.
54872	23107	" " " " " Crank with 624C.....
139143	23107	Tension (needle thread) Releasing Shaft Crank Connecting Link.....
110C	23107	Tension (needle thread) Releasing Shaft Crank Connecting Link Hinge Screw...
624C	23107	Tension (needle thread) Releasing Shaft Crank Set Screw.....
316C	23107	Tension (needle thread) Releasing Shaft Stop Screw.....
1547J	23107	Tension (needle thread) Releasing Shaft Stop Screw Nut.....
50326C	23107	Tension (needle thread) Screw Stud.....
59539	-----	" " " " " 50326C with 51570C.....
131741	23107	Tension (needle thread) Spring.....
59537	23107	" " " " Bushing (large).....
59538	23107	Tension (needle thread) Spring Bushing (small).....
131696	23107	Tension (needle thread) Thread Guide (double).....

No.	Plate	Name
139144	23093	Thread (looper) Take-up with two 1266C..
139145	23093	" " " Cover.....
139146	23093	" " " " Hinge Pin.
139147	23093	" " " " Lock Spring
51282J	23093	" " " " " Screw.....
1250C	23093	Thread (looper) Take-up Cover Position Screw Stud.....
1266C	23093	Thread (looper) Take-up Set Screw.....
139148	23093	" " " Stripper.....
139149	23093	" " " " Plate..
139279	23093	" " " " " Bracket.....
139397	23093	Thread (looper) Take-up Stripper Plate Bracket 139279 with 219J, 237J, 240J, 7071, 51282J, 139145 to 139149, 139152 to 139154, 139157, 139315 to 139317 and two each 203J, 207J, 665J and 17022.....
175E	23093	Thread (looper) Take-up Stripper Plate Bracket Screw.....
207J	23093	Thread (looper) Take-up Stripper Plate Screw.....
139152	23093	Thread (looper) Take-up Stripper Plate Thread Guard.....
665J	23093	Thread (looper) Take-up Stripper Plate Thread Guard Screw.....
203J	23093	Thread (looper) Take-up Stripper Screw..
17022	23093	" " " " " Washer.....
139153	23093	Thread (looper) Take-up Thread Guard (fibre).....
139154	23093	Thread (looper) Take-up Thread Guide (left).....
237J	23093	Thread (looper) Take-up Thread Guide (left) Screw.....
139315	23093	Thread (looper) Take-up Thread Guide (right) for one thread.....
139316	23093	Thread (looper) Take-up Thread Guide (right) for two threads.....
219J	23093	Thread (looper) Take-up Thread Guide (right) Screw.....
7071	23093	Thread (looper) Take-up Thread Guide (right) Screw Washer.....
139317	23093	Thread (looper) Take-up Thread Separator
139157	23093	" " " " " Thread Retainer.....
240J	23093	Thread (looper) Take-up Thread Separator Thread Retainer Screw.....
139318	23104	Thread (looper) Thread Guide (front of bed) with 139321 and two 139320.....



No.	Plate	Name
139169	23104	Thread (looper) Thread Guide (front of bed) Cover.....
139170	23104	Thread (looper) Thread Guide (front of bed) Cover 139169 with 139171 and two 229J.....
139171	23104	Thread (looper) Thread Guide (front of bed) Cover Catch.....
229J	23104	Thread (looper) Thread Guide (front of bed) Cover Catch Screw.....
139172	23104	Thread (looper) Thread Guide (front of bed) Cover Hinge Plate.....
176J	23104	Thread (looper) Thread Guide (front of Bed) Cover Hinge Plate Screw.....
1E162	23104	Thread (looper) Thread Guide (front of bed) Cover Hinge Pin.....
139173	23105	Thread (looper) Thread Guide (front of bed) Cover Lock Spring.....
18191	23104	Thread (looper) Thread Guide (front of bed) Cover Lock Spring Position Pin.
139174	23105	Thread (looper) Thread Guide (front of bed) Cover Lock Spring Reinforcing Plate.....
202J	23105	Thread (looper) Thread Guide (front of bed) Cover Lock Spring Screw.....
139319	23104	Thread (looper) Thread Guide (front of bed) Plate with 18191.....
50362J	23104	Thread (looper) Thread Guide (front of bed) Screw (left).....
226J	23104	Thread (looper) Thread Guide (front of bed) Screw (right).....
139320	23104	Thread (looper) Thread Guide (front of bed) Thread Retaining Pin (long)....
139321	23104	Thread (looper) Thread Guide (front of bed) Thread Retaining Pin (short)...
139322	23104	Thread (looper) Thread Guide (front of bed) Thread Retainer.....
50411J	23104	Thread (looper) Thread Guide (front of bed) Thread Retainer Screw.....
139323	23104	Thread (looper) Thread Guide (front of bed) complete, Nos. 226J, 50362J, 139318, 139319, 139322 and two 50411J
139158	23105	Thread (looper) Thread Guide (intermediate).....
139330	23105	Thread (looper) Thread Guide (intermediate) Bracket.....
229J	23105	Thread (looper) Thread Guide (intermediate) Bracket Screw.....
50342J	23105	Thread (looper) Thread Guide (intermediate) Screw.....
139158	23105	Thread (looper) Thread Guide (left).....

No.	Plate	Name
50342J	23105	Thread (looper) Thread Guide (left)Screw
139158	23105	" " " " (right)....
50342J	23105	" " " " Screw
139324	23105	" " " " Bracket....
176J	23105	" " " " Screw
139325	23105	" " " " Support
202J	23105	" " " " "
		Screw (lower).....
237J	23105	Thread (looper) Thread Guide Bracket
		Support Screw (upper).....
139162	23105	Thread (looper) Thread Tube (belt guard) Bushing.....
203J	23105	Thread (looper) Thread Tube (belt guard) Seat Screw.....
139327	23105	Thread (looper) Thread Tube (belt guard) with six 139162.....
139176	23098	Thread (looper) Thread Tube (side of bed).....
139177	23105	Thread (needle) Eyelet.....
207J	23105	" " " Screw.....
139367	23105	" " " (side of arm)....
190J	23105	" " " " Screw
139328	23105	" " Take-up with 202E.....
202E	23105	" " Clamping Screw..
68008	23105	" " Plate.....
68164	23105	" " Spring....
1449J	23105	" " " " Screw
139329	23105	Thread (needle) Take-up complete, Nos. 1449J, 68008, 68164 and 139328.....
139198	23105	Thread (needle) Take-up (auxiliary)....
54242	23105	" " " " Clamp
176J	23105	" " " " "
		Screw.....
139158	23105	Thread (needle) Thread Guide (intermediate).....
139330	23105	Thread (needle) Thread Guide (intermediate) Bracket.....
229J	23105	Thread (needle) Thread Guide (intermediate) Bracket Screw.....
50342J	23105	Thread (needle) Thread Guide (intermediate) Screw.....
139158	23105	Thread (needle) Thread Guide (left)....
229J	23105	" " " " " Screw
139158	23105	" " " " (right)....
229J	23105	" " " " Screw
139331	23105	" " " " Bracket....
139181	23098	" Cutter (knife).....
50318W	23098	" " Screw.....
139182	23098	" " Thread Guide (inside)....
139183	23098	" " " " (outside)...

No.	Plate	Name
139346	23101	Throat Plate, for 3/32-3/32 in. gauge, for 139340.....
139348	23101	Throat Plate, for 7/64-7/64 in. and 1/8- 1/8 in. gauges, for 139347.....
691F	23101	Throat Plate Screw.....
*15404	-----	Trade Mark.....
15405	-----	" " Rivet.....

**SINGER** Needles should be used  
in **SINGER** Machines  
These Needles and their Containers  
are marked with the  
Company's Trade Mark "SIMANCO.\*\*" 1

Needles in Containers marked  
"FOR SINGER MACHINES"  
are NOT **SINGER** made needles. 2

## MACHINE No. 231-34

For Lap Seam Felling Work Shirts, Overalls, Etc., of medium weight materials. The machine has Three needles, three loopers. Feed off the arm two-thread chain-stitch. Gauges, 1/8 inch to 3/16 inch between each needle, in steps of 1/64 inch. Upper Thread Nipper and Slack Thread Controller. Drop Feed. Arm and bed rotary shafts are equipped with ball bearings. An oiling system automatically oils all the principal bearings and moving parts of the feed and looper mechanism. The needle bar driving mechanism is automatically oiled by an oil cup (sight feed) located on the balance wheel end of the rotary shaft. Needle bar stroke 1 3/16 inch. Length of stitch 6 to 18 to the inch. Speed up to 3800 R. P. M. according to the material being stitched.

NOTE: THIS MACHINE IS THE SAME AS THE 231-33 MACHINE  
WITH THE FOLLOWING EXCEPTIONS:

No.	Plate	Name
*139282	-----	Arm with 15404 and two 15405, in place of 139349.....
11119	23094	Arm Oil Tube with 52045, for oiling Ten- sion (needle thread) Nipper.....
52045	23094	Arm Oil Tube Packing (wick).....
139283	23094	" Rotary Shaft, in place of 139002....
139284	-----	" " " 139283 with 139228 and 139308, in place of 139225.....
139199	23094	Arm Rotary Shaft Crank with two each 1036C and 1149C, in place of 139009.
139228	-----	Arm Rotary Shaft Crank 139199 with 139103, in place of 139226.....
139334	23102	Feed Dog, 22 teeth (14 teeth to the inch) for 1/8-1/8 in. gauge for 139336, for work shirts.....
139287	23102	Feed Dog, 14 teeth (10 teeth to the inch) for 1/8-1/8 in. to 3/16-3/16 in. gauges, for 139332, for work shirts and light overall work.....
139410	23099	Presser Bar Bushing (lower) in place of 139129.....
139406	23102	Presser Foot Plate.....
128390	23102	" " " Hinge Stud.....
665J	23102	" " " " " Position Screw.....
139402	23102	Presser Foot Shank.....
139403	23102	" " Yielding Heel.....
139404	23102	" " " " Connection...
18055	23102	" " " " " Hinge Pin.....

No.	Plate	Name
131534	23102	Presser Foot Yielding Heel Connection Spring.....
18055	23102	Presser Foot Yielding Heel Hinge Pin....
139407	23102	Presser Foot (triple hinged) complete for work shirts and similar work for 1/8-1/8 in. to 3/16-3/16 in. gauges, Nos. 131534, 139407 to 139404, 139406 and two each 665J, 18055 and 128390.
139394	23106	Slack Thread Regulator.....
139300	23106	" " Connecting Link Connecting Stud with 453C.....
453C	23106	Slack Thread Regulator Connecting Link Connecting Stud Set Screw.....
139299	23106	Slack Thread Regulator Holder.....
131405	23106	" " " " Crank with 171E.....
1423J	23106	Slack Thread Regulator Holder Crank Cap Screw.....
171E	23106	Slack Thread Regulator Holder Crank Clamping Screw.....
131406	23106	Slack Thread Regulator Holder Crank Connecting Link.....
217J	23106	Slack Thread Regulator Screw.....
139307	23106	Tension (needle thread) Nipper Body and Thread Guide with 1353B.....
1149C	23106	Tension (needle thread) Nipper Body Set Screw.....
139308	23094	Tension (needle thread) Nipper Cam with two 456C.....
456C	23094	Tension (needle thread) Nipper Cam Set Screw.....
139309	23106	Tension (needle thread) Nipper Stud.....
139310	-----	" " " " " 139309 with 5694 and 130311.....
1698R	23106	Tension (needle thread) Nipper Stud Nut.
13216	23106	" " " " " Spring
59456	23106	" " " " " Washer
139311	23106	" " " " " Wear- ing Sleeve.....
5684	23106	Tension (needle thread) Nipper Stud Wearing Sleeve Pin.....
139276	23106	Tension (needle thread) Nipper Tension Plate.....
13538	23106	Tension (needle thread) Nipper Tension Plate Position Pin.....
139313	23106	Tension (needle thread) Nipper complete, Nos. 1698R, 13216, 59456, 139307, 139310 and four 139276.....
139395	23106	Thread (needle) Take-up with 107F, in place of 139328.....

No.	Plate	Name
139396	23106	Thread (needle) Take-up complete, Nos. 1449J, 6300B, 69164 and 139395, in place of 139329.....
139393	23106	Thread (needle) Take-up (auxiliary) in place of 139198.....
131496	23106	Thread (needle) Take-up (auxiliary) Clamp, in place of 54742.....
997J	23106	Thread (needle) Take-up (auxiliary) Clamp Screw, in place of 176J.....
139416	23099	Thread Cutter (knife) in place of 139181
139417	23099	" " " " Guard.....
139336	23102	Throat Plate for 1/8-1/8 in. gauges, for 139334.....
139335	23102	Throat Plate for 1/8-1/8 in. to 3/16-3/16 in. gauges, for 139387.....

**SINGER** Needles should be used  
in **SINGER** Machines  
These Needles and their Containers  
are marked with the  
Company's Trade Mark "SIMANCO."\*\* 1

Needles in Containers marked  
"FOR SINGER MACHINES"  
are **NOT SINGER** made needles. 2

## MACHINE No. 231-35

For Lap Seam Felling Work Shirts, Overalls, Etc., of medium and medium heavy weight materials. The machine has Three needles, three loopers. Feed off the arm two-thread chain-stitch. Gauges,  $\frac{1}{8}$  inch to  $\frac{3}{16}$  inch between each needle, in steps of  $\frac{1}{64}$  inch. Upper Thread Nipper and Slack Thread Controller. Drop Feed. Arm and bed rotary shafts are equipped with ball bearings. An oiling system automatically oils all the principal bearings and moving parts of the feed and looper mechanism. The needle bar driving mechanism is automatically oiled by an oil cup (sight feed) located on the balance wheel end of the rotary shaft. Needle bar stroke  $1\frac{5}{16}$  inch. Length of stitch 6 to 18 to the inch. Speed up to 3600 R. P. M. according to the material being stitched.

NOTE: THIS MACHINE IS THE SAME AS THE 231-33 MACHINE

WITH THE FOLLOWING EXCEPTIONS:

No.	Plate	Name
*139282	-----	Arm with 15404 and two 15405, in place of 139349.....
11119	23095	Arm Oil Tube with 52045, for oiling Tension (needle thread) Nipper.....
52045	23095	Arm Oil Tube Packing (wick).....
139283	23095	" Rotary Shaft, in place of 139008....
139374	-----	" " " 139003 with 139303 and 139376, in place of 139225.....
139375	23095	Arm Rotary Shaft Crank with 10360, 11500 and two 11490, in place of 139003....
139376	-----	Arm Rotary Shaft Crank 139375 with 139103, in place of 139226.....
139418	23095	Balance Wheel, 3 in. pulley, with two 512830, in place of 139011.....
139334	23102	Feed Dog, 27 teeth (14 teeth to the inch) for $\frac{1}{8}$ - $\frac{1}{8}$ in. gauge, for 139330, for work shirts.....
139287	23102	Feed Dog, 14 teeth (10 teeth to the inch) for $\frac{1}{8}$ - $\frac{1}{8}$ in. to $\frac{3}{16}$ - $\frac{3}{16}$ in. gauges, for 139332, for light over-all work.....
139400	23103	Feed Dog, 12 teeth (8 teeth to the inch) for $\frac{1}{8}$ - $\frac{1}{8}$ in. to $\frac{3}{16}$ - $\frac{3}{16}$ in. gauges, for 139332, for heavy over-all work.....
139377	23100	Needle Bar (hollow) in place of 139009..
139380	-----	Needle Bar complete, for $\frac{1}{8}$ - $\frac{1}{8}$ in. to $\frac{3}{16}$ - $\frac{3}{16}$ in. gauges, Nos. 139315 and 139377, in place of 139391.....

No.	Plate	Name
139379	23100	Needle Bar Bushing (lower) in place of 139101.....
12500	23095	Needle Bar Connecting Link Hinge Stud Set Screw (short).....
139412	23100	Needle Bar Guide, in place of 139113....
139410	23100	Presser Bar Bushing (lower) in place of 139129.....
139401	23103	Presser Foot Plate.....
128390	23103	" " " Hinge Stud.....
665J	23103	" " " " " Position Screw.....
139402	23102	Presser Foot Shank.....
139403	23103	" " " Yielding Heel.....
139404	23103	" " " " " Connection...
18055	23103	" " " " " " Hinge Pin.....
131534	23103	Presser Foot Yielding Heel Connection Spring.....
18055	23103	Presser Foot Yielding Heel Hinge Pin....
139405	23103	Presser Foot (triple hinged) complete for $\frac{1}{8}$ - $\frac{1}{8}$ in. to $\frac{3}{16}$ - $\frac{3}{16}$ in. gauges, Nos. 131534, 139401 to 139404 and two each 665J, 18055 and 128390.
139406	23102	Presser Foot Plate.....
128390	23102	" " " Hinge Stud.....
665J	23102	" " " " " " Position Screw.....
139402	23102	Presser Foot Shank.....
139403	23102	" " " Yielding Heel.....
139404	23102	" " " " " " Connection...
18055	23102	" " " " " " Hinge Pin.....
131534	23102	Presser Foot Yielding Heel Connection Spring.....
18055	23102	Presser Foot Yielding Heel Hinge Pin....
139407	23102	Presser Foot (triple hinged) complete for work shirts and similar work for $\frac{1}{8}$ - $\frac{1}{8}$ in. to $\frac{3}{16}$ - $\frac{3}{16}$ in. gauges, Nos. 131534, 139402 to 139404, 139406 and two each 665J, 18055 and 128390.
139394	23106	Slack Thread Regulator.....
139300	23106	" " " Connecting Link Connecting Stud with 4530.....
4530	23106	Slack Thread Regulator Connecting Link Connecting Stud Set Screw.....
139299	23106	Slack Thread Regulator Holder.....
131405	23106	" " " " " Crank with 171E.....
1423J	23106	Slack Thread Regulator Holder Crank Cap Screw.....

No.	Plate	Name
171E	23106	Slack Thread Regulator Holder Crank Clamping Screw.....
131406	23106	Slack Thread Regulator Holder Crank Connecting Link.....
217J	23106	Slack Thread Regulator Screw.....
139307	23106	Tension (needle thread) Nipper Body and Thread Guide with 13538.....
1149C	23106	Tension (needle thread) Nipper Body Set Screw.....
139308	23095	Tension (needle thread) Nipper Cam with two 456C.....
456C	23095	Tension (needle thread) Nipper Cam Set Screw.....
139309	23106	Tension (needle thread) Nipper Stud.....
139310	-----	" " " " " 139309 with 5684 and 139311.....
1698R	23106	Tension (needle thread) Nipper Stud Nut.
13218	23106	" " " " " Spring
59456	23106	" " " " " Washer
139311	23106	" " " " " Wearing Sleeve.....
5684	23106	Tension (needle thread) Nipper Stud Wearing Sleeve Pin.....
139276	23106	Tension (needle thread) Nipper Tension Plate.....
13538	23106	Tension (needle thread) Nipper Tension Plate Position Pin.....
139313	23106	Tension (needle thread) Nipper complete, Nos. 1698R, 13218, 59456, 139307, 139310 and four 139276.....
139395	23106	Thread (needle) Take-up with 202E, in place of 139328.....
139396	23106	Thread (needle) Take-up complete, Nos. 1449J, 68008, 68164 and 139395, in place of 139329.....
139393	23106	Thread (needle) Take-up (auxiliary) in place of 139198.....
131496	23106	Thread (needle) Take-up (auxiliary) Clamp in place of 54242.....
997J	23106	Thread (needle) Take-up (auxiliary) Clamp Screw, in place of 176J.....
139416	23100	Thread Cutter (knife) in place of 139181
139417	23100	" " " " Guard.....
139336	23102	Throat Plate, for 1/8-1/8 in. gauges, for 139334.....
139332	23102	Throat Plate, for 1/8-1/8 in. to 3/16-3/16 in. gauges, for 139287 and 139400.....

## ACCESSORIES

No.	Plate	Name
120344	23036	Oiler (copper plated) with 120345.....
120345	23036	" Spout, 4 1/2 in. long.....
120440	23086	Screw Driver (large).....
121109	23086	" " (small).....
120341	23086	Tweezers (curved).....
236335	23086	Wrench.....

## BELT GUARDS

No.	Plate	Name
139398	23087	Belt Guard with two 146R, for use with Individual Motors and Low Shaft Power Table.....
139217	23027	Belt Guard with two wood screws 3/4 in. No. 9 R.H., for use with Singer Universal Safety Power Table.....
152004	23087	Belt Guard with two wood screws 1 in. No. 10 R.H.M.F.O. and A. for Series S 39, S 49, S 59 and S 69 Electric Transmitters.....
146R	23087	Belt Guard Screw, for 139398.....

## FOOT LIFTER AND STARTING TREADLE PARTS

## FOR INDIVIDUAL MOTORS

No.	Plate	Name
6439	23088	Foot Lifter Chain, 36 in. to 45 in. with 56864 and 56865.....
Note: When ordering No. 6439, state length required.		
4879	23088	Foot Lifter Chain Connecting Link.....
56864	23088	" " " Hook (large).....
56865	23088	" " " " (small).....
150212	23088	" " " Treadle.....
150487	23088	Starting Treadle with two 140215C.....
140215C	23088	" " " Set Screw.....
150488	23088	" " " Shaft.....
150489	23088	" " " " Arm with two 140215C.....
140215C	23088	Starting Treadle Shaft Arm Set Screw....
46681	-----	" " " " Bracket.....

## FOOT LIFTER AND STARTING TREADLE PARTS

No.	Plate	Name
60502	23088	Starting Treadle Shaft Bracket 46681 with two wood screws 1 in. No. 14...
150216	23088	Starting Treadle Shaft Collar with two 445C.....
445C	23088	Starting Treadle Shaft Collar Set Screw.
150490	23088	" " Spacing Collar.....
150491	-----	Starting and Foot Lifter Treadle com- plete, Nos. 4879,6439,150212,150216, 150487 to 150490 and two 60502.....

## FOOT LIFTER AND STARTING TREADLE PARTS

## FOR UNIVERSAL SAFETY POWER TABLE

No.	Plate	Name
67819	23088	Treadle Pitman Rod (lower).....
67820	23088	" " " (upper).....
80223	23088	" " " Clamp with 361C.....
361C	23088	" " " " Set Screw.....
150208	23088	" " " Spring.....
2762	23088	" " " " Collar with 362C
362C	23088	" " " " " Set Screw
23250	23088	" " " " Washer.....
126684	23088	Treadle Pitman Rod complete, Nos. 2762, 67819,67820,80223 and two each 23250 and 150208.....
150497	23088	Starting and Foot Lifter Treadle with Pitman complete, Nos. 126684 and 150491.....

## FOOT LIFTER AND STARTING TREADLE PARTS

## FOR LOW SHAFT POWER TABLE

## FOR UNDER DRIVER NO. 150499

No.	Plate	Name
27639	23089	Treadle Pitman Rod.....
80223	23089	" " " Clamp with 361C.....
361C	23089	" " " " Set Screw.....
60626	23089	Treadle Pitman Rod complete, Nos. 80223 and two 27639.....
150498	23089	Starting and Foot Lifter Treadle with Pitman complete, Nos. 60626 and 150491.....

## FRONT PLANKS

No.	Plate	Name
135060	-----	Front Plank, 1 5/8 in.thick, 19 in.wide, 46 1/2 in.long, for Series 1500,1900 and 2900 Motors, for Universal Elec- tric Transmitter Tables.....
135061	-----	Front Plank, 1 5/8 in.thick, 19 in.wide, 48 in.long, for Series 1500,1900 and 2900 Motors, for Electric Trans- mitter Tables (cast iron legs).....
135062	-----	Front Plank, 1 5/8 in.thick, 19 in.wide, 46 1/2 in.long, for Series 1700 Motors, for Universal Electric Transmitter Tables.....
135063	-----	Front Plank, 1 5/8 in.thick, 19 in.wide, 48 in. long, for Series 1700 Motors, for Electric Transmitter Tables(cast iron legs).....
135064	-----	Front Plank, 1 5/8 in.thick, 19 in.wide, 46 1/2 in. long, for Series S 39, S 49, S 59 and S 69 Electric Trans- mitters, for Universal Electric Transmitter Tables.....
135065	-----	Front Plank, 1 5/8 in.thick, 19 in.wide, 48 in. long, for Series S 39, S 49, S 59 and S 69 Electric Transmitters, for Electric Transmitter Tables(cast iron legs).....
135098	-----	Front Plank, 1 5/8 in.thick, 19 in.wide, 46 1/2 in.long, for Universal Safety Power Table.....
135068	-----	Front Plank, 1 5/8 in.thick, 19 in.wide, 46 1/2 in. long, for Universal Low Shaft Power Table.....
135069	-----	Front Plank, 1 5/8 in.thick, 19 in.wide, 48 in. long, for Old Style Low Shaft Power Table.....

## IDLERS

## IDLER

(ADJACENT TO BALANCE WHEEL)

No.	Plate	Name
150480	23090	Bracket with 1448C.....
150481	23090	Pulley.....
150482	23090	" Shaft.....

## IDLER

No.	Plate	Name
150483	23090	Pulley Shaft Ball Bearing.....
150484	23090	" " " " Cover.....
150485	23090	" " " " " Gasket (cork).....
330R	23090	Pulley Shaft Ball Bearing Cover Screw...
144D	23090	" " Cap Screw.....
130328	23090	" " Oil Cup.....
1448C	23090	" " Set Screw.....
150496	23090	Pulley and Shaft complete, Nos. 144D, 150481 to 150485 and four 330R.....
150486	23090	Idler complete, Nos. 130328, 150480, 150496 and two 51183R.....
51183R	23090	Idler Screw for 150486.....

## IDLER

FOR UNDER THE TABLE

FOR SINGER UNIVERSAL SAFETY POWER TABLE

No.	Plate	Name
150528	23090	Idler Base with 356C.....
150481	23090	" Pulley.....
150482	23090	" Shaft.....
150483	23090	" " " Ball Bearing.....
150484	23090	" " " " " Cover...
150485	23090	" " " " " " Gasket (cork).....
330R	23090	Idler Pulley Shaft Ball Bearing Cover Screw.....
150529	23090	Idler Pulley Shaft Bracket (lower) with 168C and 692C.....
692C	23090	Idler Pulley Shaft Bracket (lower)Clamp- ing Screw.....
150530	23090	Idler Pulley Shaft Bracket (upper) with 168C and 692C.....
692C	23090	Idler Pulley Shaft Bracket (upper)Clamp- ing Screw.....
150531	23090	Idler Pulley Shaft Bracket Shaft.....
356C	23090	" " " " " Set Screw
144D	23090	" " " Cap Screw.....
168C	23090	" " " Set Screw.....
150496	23090	Idler Pulley and Shaft complete, Nos. 144D, 150481 to 150485 and four 330R
150532	23090	Idler complete, Nos. 150528 to 150531, two 150496 and three wood screws 1 1/4 in. No. 13 F.H.....
150533	23090	Idler Guard with two wood screws 3/4 in. No. 9 R.H., for 150532.....

## LAP SEAM FELLERS

No.	Plate	Name
121585	23108	Lap Seam Feller (adjustable) on Shank for light and medium weight material, for 231-33 Machine.....
121628	23108	Lap Seam Feller (adjustable) on Shank for medium heavy weight material, for 231-34 and 231-35 Machines.....
121639	23108	Lap Seam Feller on Shank with Yielding Lower Scroll for heavy weight materi- al, for 231-35 Machine.....
121449	23108	Lap Seam Feller Clamping Plate.....
1443B	23108	" " " Screw.....
139366	23108	" " " Slide.....

## MACHINE CUSHIONS

No.	Plate	Name
139190	23086	Machine Cushion (round rubber).....
139191	23086	" Mounting Cushion (moulded rubber)
51069R	23086	" " " Bolt with 51581R
51581R	23086	" " " " Nut.....
2807	23086	" " " " Washer.
146R	23086	" Screw, for mounting machine to table.....

## THREAD UNWINDER

FOR SIX CONES

No.	Plate	Name
150364	23109	Base with two 437C.....
150653	23109	Rod.....
437C	23109	" Set Screw.....
150366	23109	Thread Cone Holder.....
164J	23109	" " " Screw.....
19020	23109	" " " " Washer.....
150654	23109	" " " Support for two cones
150367	23109	" " " " four cones
150655	23109	" " " " Bracket for 150654.....

## THREAD UNWINDER

No.	Plate	Name
51083R	23109	Thread Cone Holder Support Bracket Bolt with 51581R.....
51581R	-----	Thread Cone Holder Support Bracket Bolt Nut.....
51082R	23109	Thread Cone Holder Support Bolt with 51581R, for 150367.....
51581R	-----	Thread Cone Holder Support Bolt Nut.....
150368	23109	" " Steady Wire.....
150656	23109	" Guide for two threads.....
150369	23109	" " " four threads.....
178J	23109	" " Screw.....
150657	23109	Thread Unwinder complete, for inverted cones, Nos. 51082R, 51083R, 150364, 150367, 150369, 150653 to 150656, two 178J, three wood screws 1 1/2 in.No. 16 F.H. and six each 164J, 19020, 150366 and 150368.....

## THREAD UNWINDER SPOOL RESTS

FOR USE WHEN SPOOLS ARE USED IN

PLACE OF CONES OF THREAD

FOR USE WITH THREAD UNWINDER NO. 150657

No.	Plate	Name
150647	23109	Spool Rest with 178J.....
150203	23109	" " Cushion (felt).....
150658	23109	" " Rod for two spool rests.....
150649	23109	" " " " four spool rests.....
178J	23109	" " " Set Screw.....
178J	23109	" " Set Screw.....
150663	23109	Spool Rests complete (for six spools) Nos. 150649, 150658, two 178J and six each 150203 and 150647.....

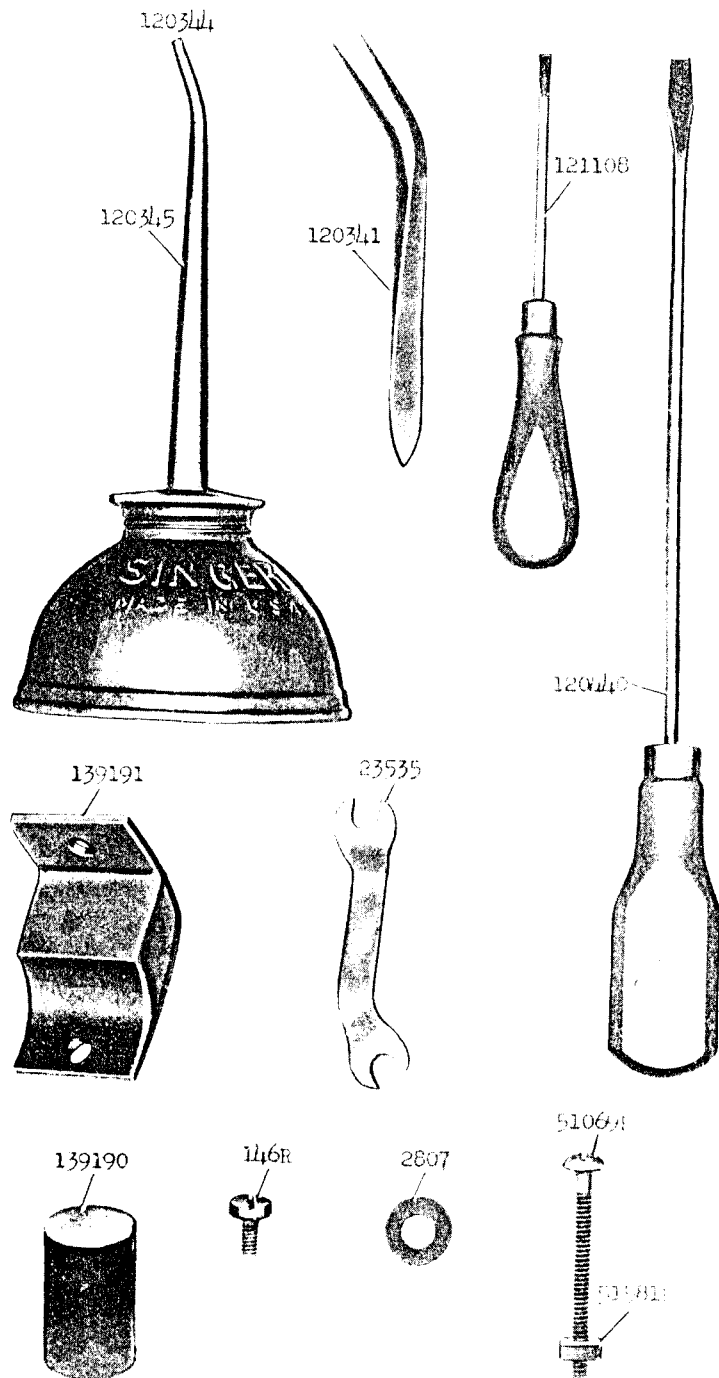
## NUMERICAL LIST OF PARTS

No.	Plate	Name
110C	23107	Tension (needle thread) Releasing Shaft Crank Connecting Link Hinge Screw...
116E	23096	Arm Screw.....
122E	23098	Looper Avoiding Eccentric Forked Connection Bracket Screw.....
131C	23093	Oil Cup Body Cap Retainer Screw for 139126.....
144D	23090	Idler Pulley Shaft Cap Screw for 150496.
146R	23087	Belt Guard Screw for 13939E.....
146R	23086	Machine Screw for mounting machine to table.....
157J	23098	Feed Lifting Eccentric Forked Connection Screw.....
164J	23109	Thread Unwinder Thread Cone Holder Screw for 150657.....
168C	23090	Idler Pulley Shaft Set Screw for 150529 and 150530.....
171E	23106	Slack Thread Regulator Holder Crank Clamping Screw for 131405.....
172E	23098	Looper Holder Clamping Screw for 139289.
175E	23098	" Driving Arm Connection Cap (lower) Screw for 139066.....
175E	23098	Looper Driving Arm Connection Cap (upper) Screw for 139066.....
175E	23098	Needle Bar Connecting Stud Clamping Screw for 139108.....
175E	23093	Thread (looper) Take-up Stripper Plate Bracket Screw.....
176J	23105	Thread (looper) Thread Guide Bracket Screw.....
176J	23104	Thread (looper) Thread Guide (front of bed) Cover Hinge Plate Screw.....
176J	23105	Thread (needle) Take-up (auxiliary) Clamp Screw for 231-33 Machine.....
178J	23109	Thread Unwinder Thread Guide Screw for 150657.....
178J	23109	Thread Unwinder Spool Rest Rod Set Screw for 150663.....
178J	23109	Thread Unwinder Spool Rest Set Screw for 150647.....
190J	23097	Looper Gate Retaining Spring Screw.....
190J	23101	Presser Foot Screw.....
190J	23105	Thread (needle) Eyelet (side of arm) Screw.....
202R	23093	Bed Rotary Shaft Ball Bearing (left) Cover Screw.....



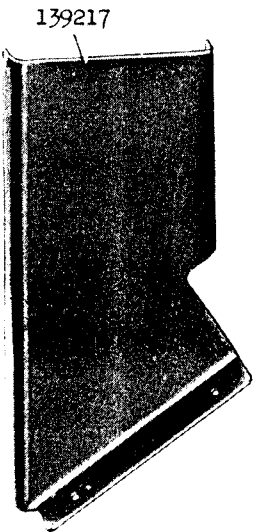
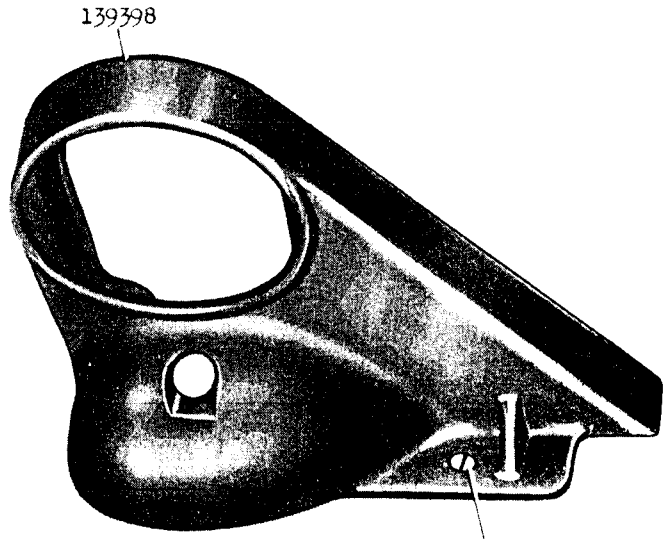
**SINGER** Needles should be used  
 in **SINGER** Machines  
 These Needles and their Containers  
 are marked with the  
 Company's Trade Mark "SIMANCO."<sup>®</sup> 1

Needles in Containers marked  
 "FOR SINGER MACHINES"  
 are NOT **SINGER** made needles. 2

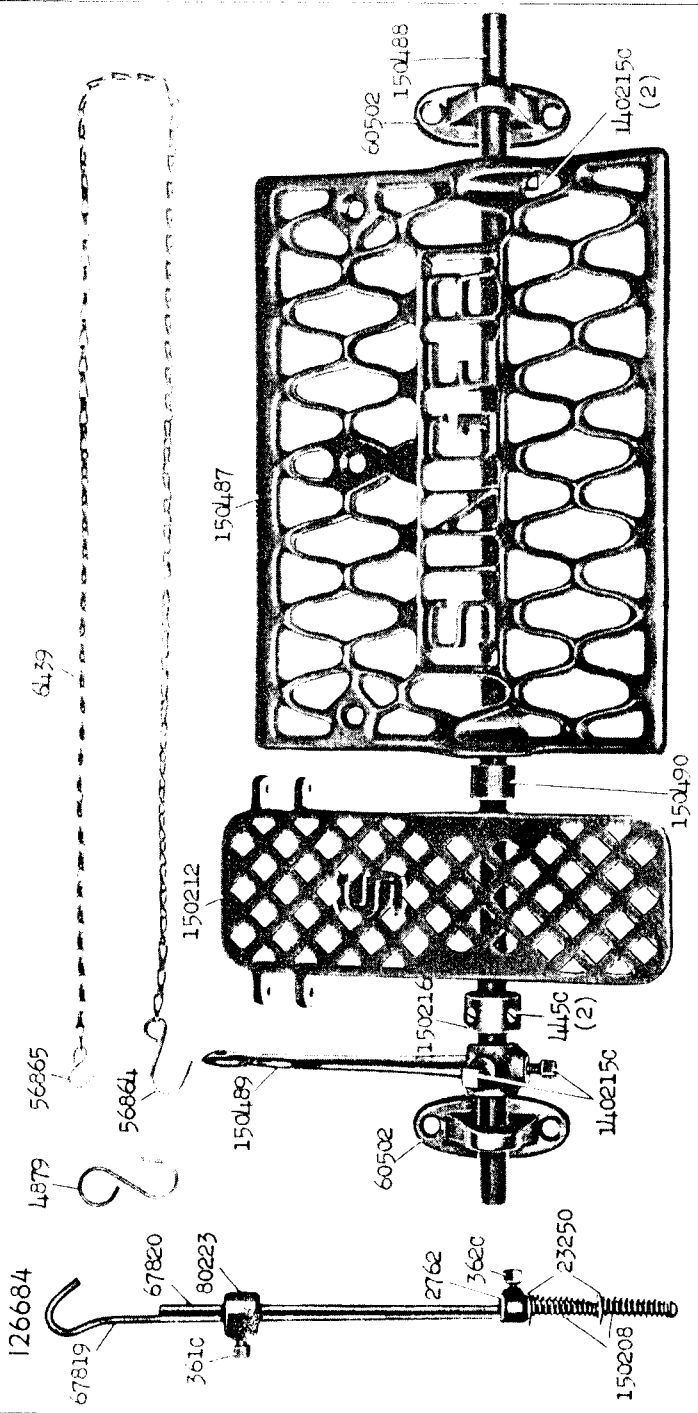


23087 - 1/4

23088 - 1/4



150497



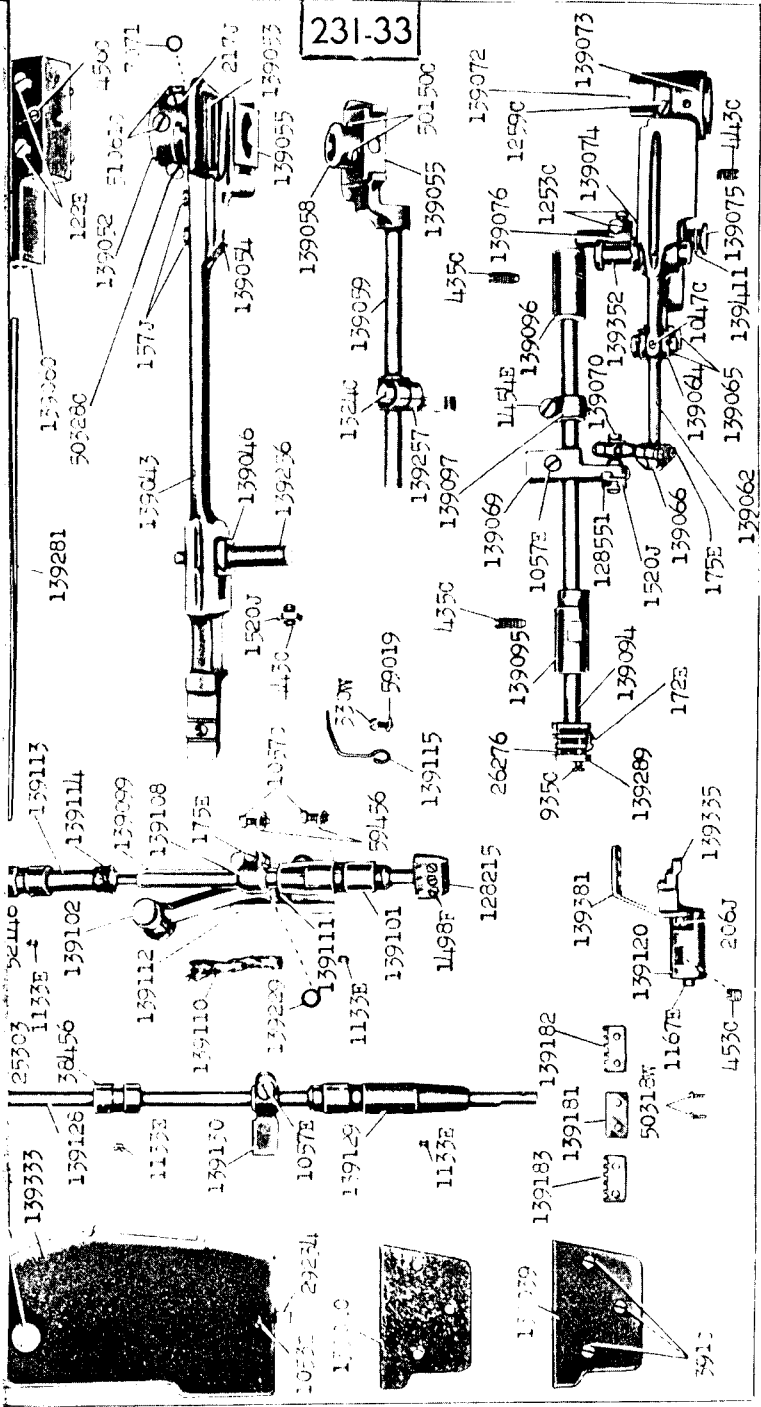
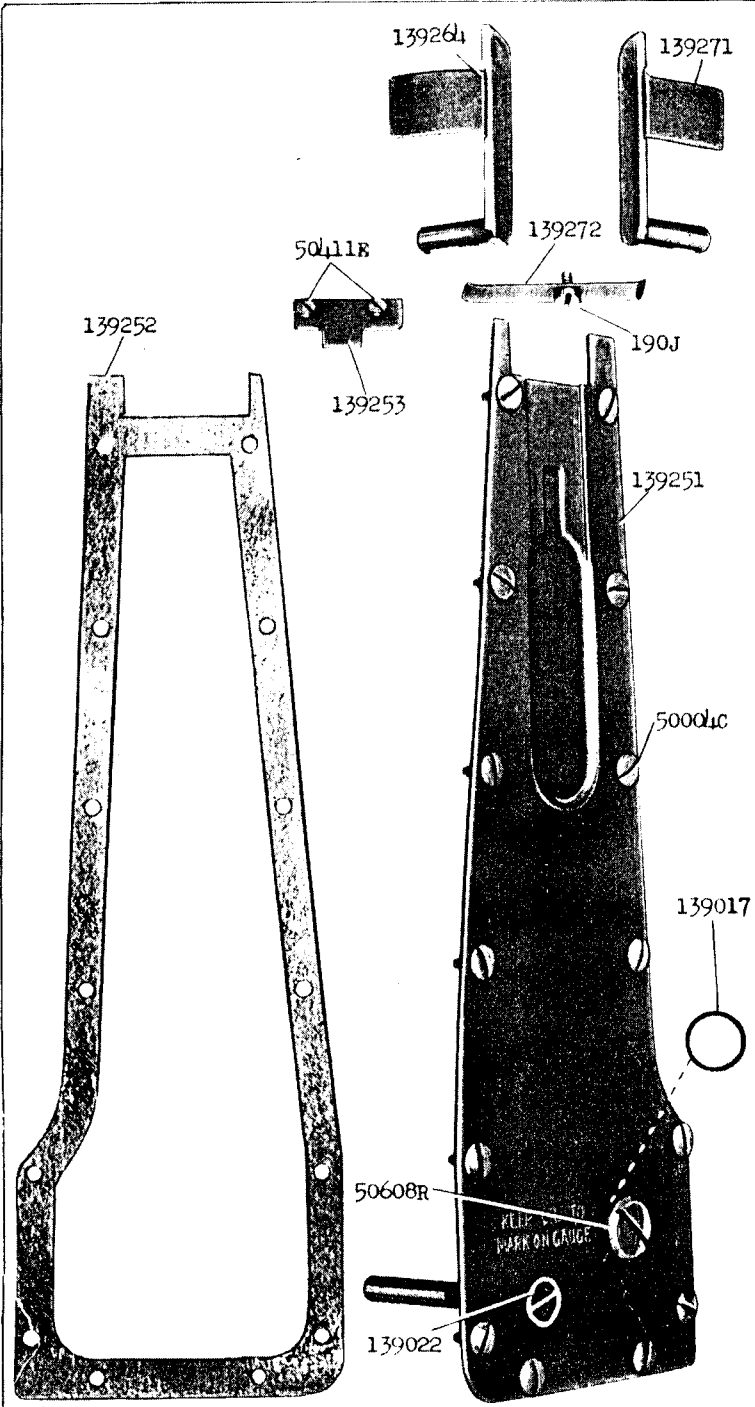






23097 - 1/2

23098 - 1/3



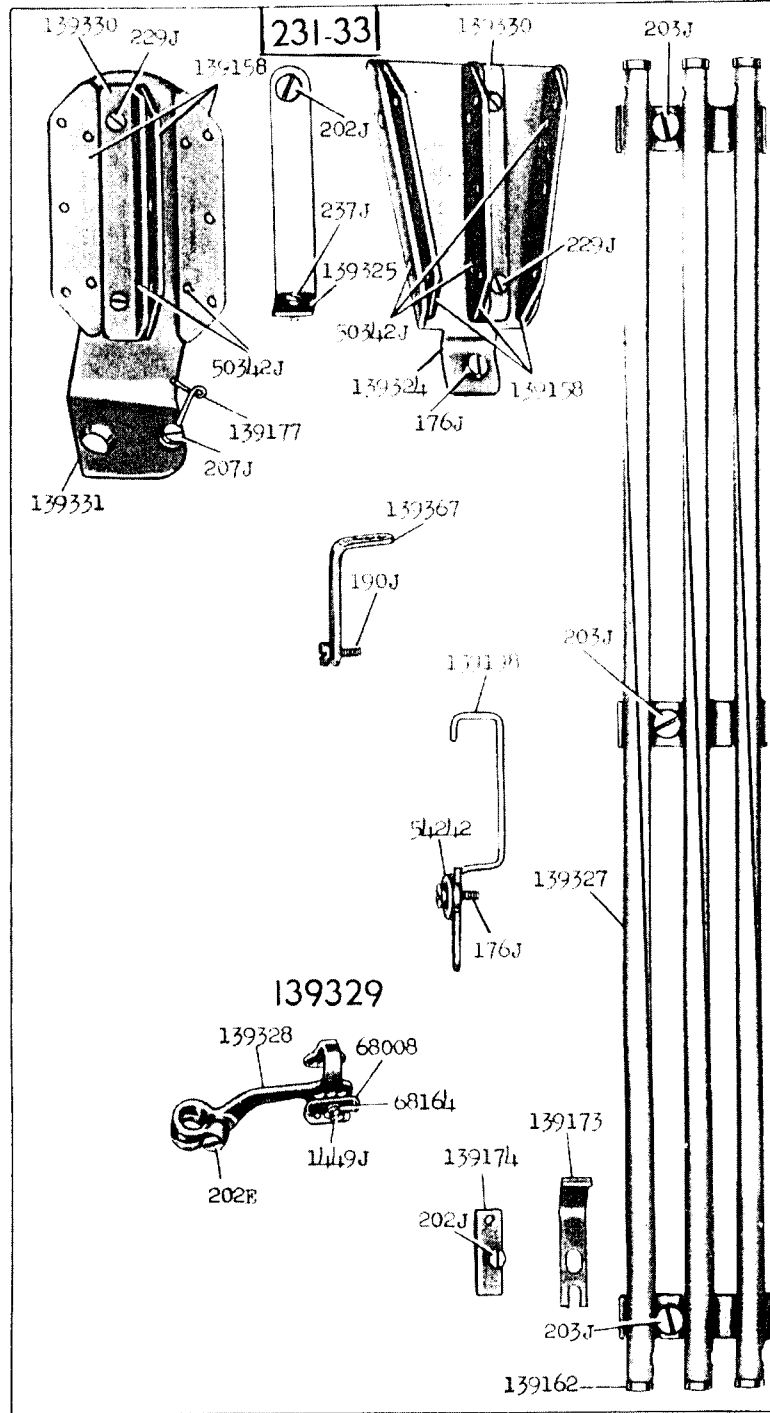




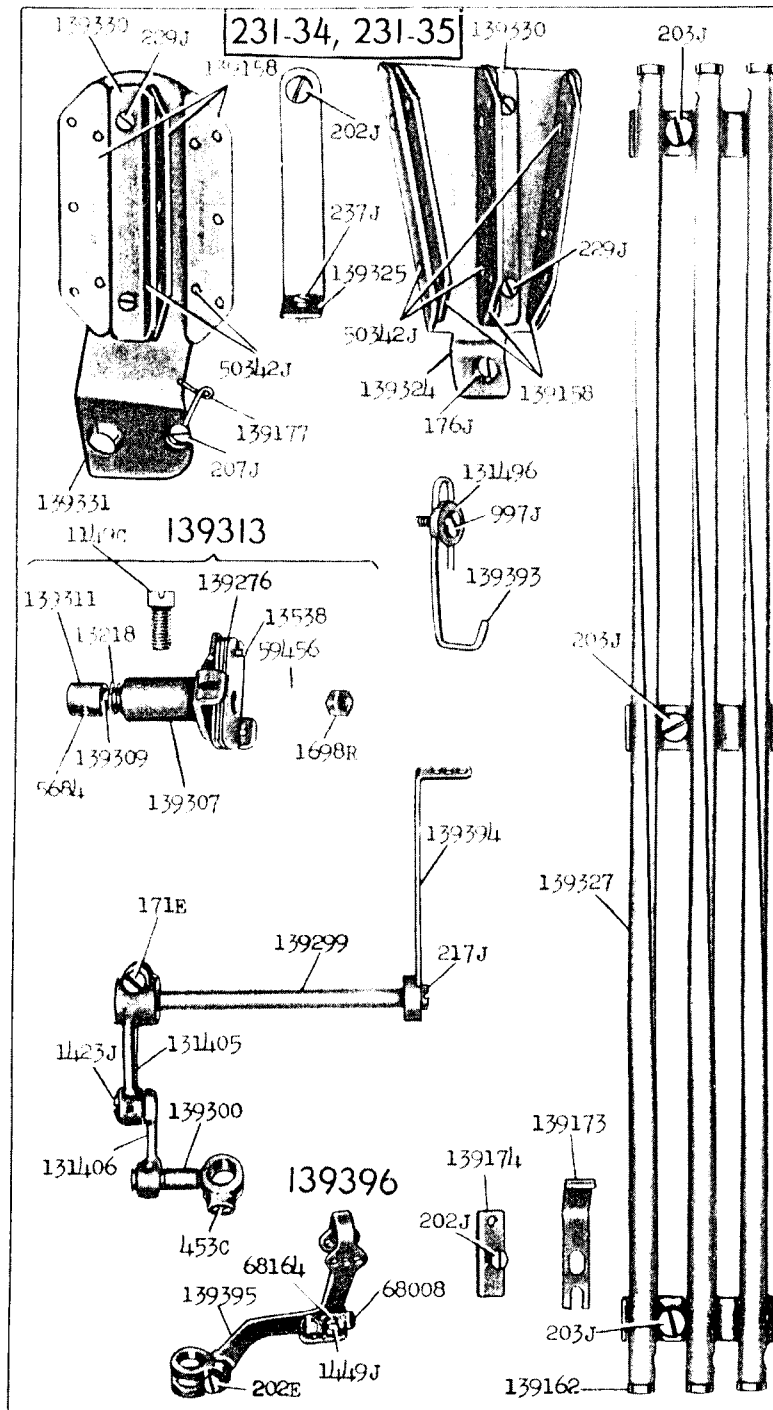




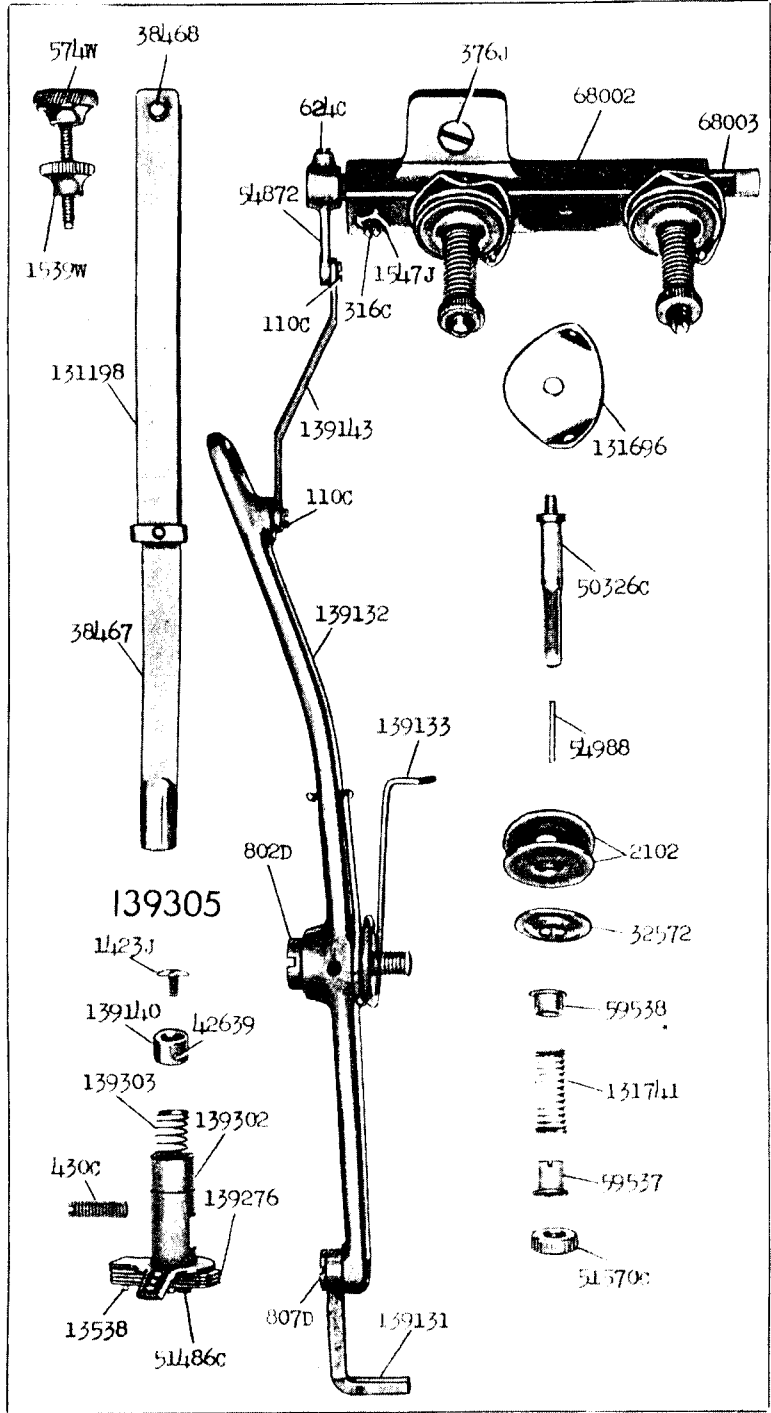
23105 - 1/2



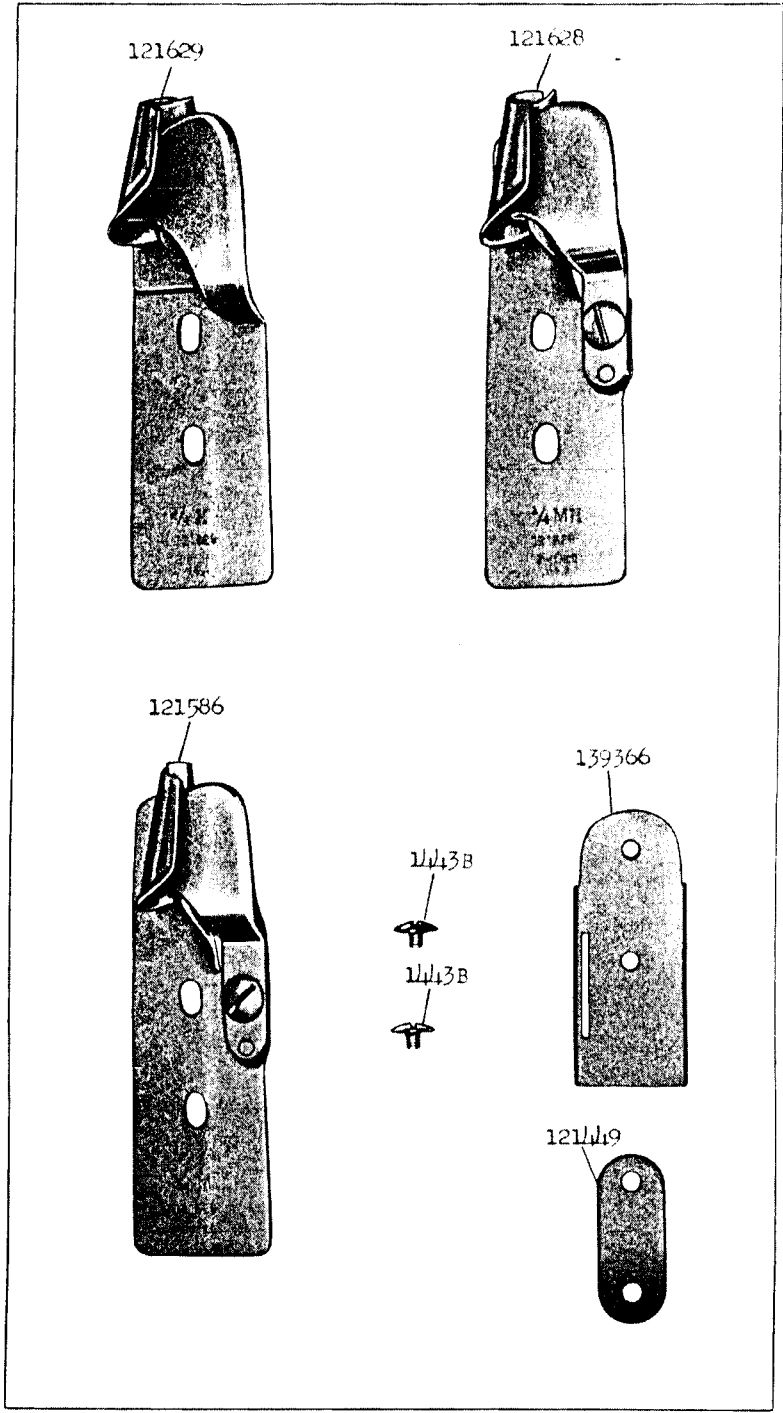
23106 - 1/2



23107 - 1/2

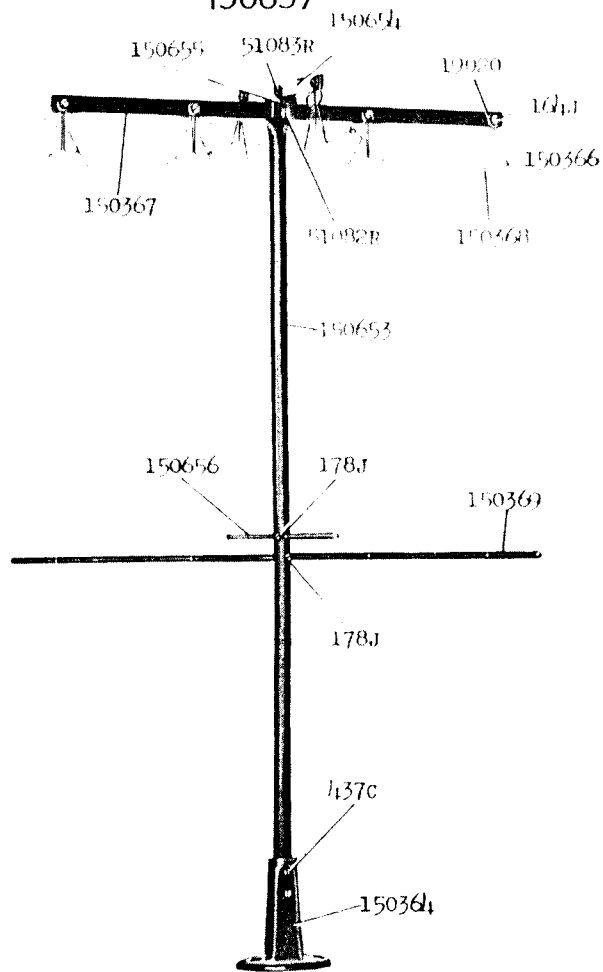


23108 - 2/3



23109 - 1/6

150657



**SINGER** Needles should be used  
 in **SINGER** Machines  
 These Needles and their Containers  
 are marked with the  
 Company's Trade Mark "SIMANCO."\*\*" 1

Needles in Containers marked  
 "FOR SINGER MACHINES"  
 are NOT **SINGER** made needles. 2

150663

