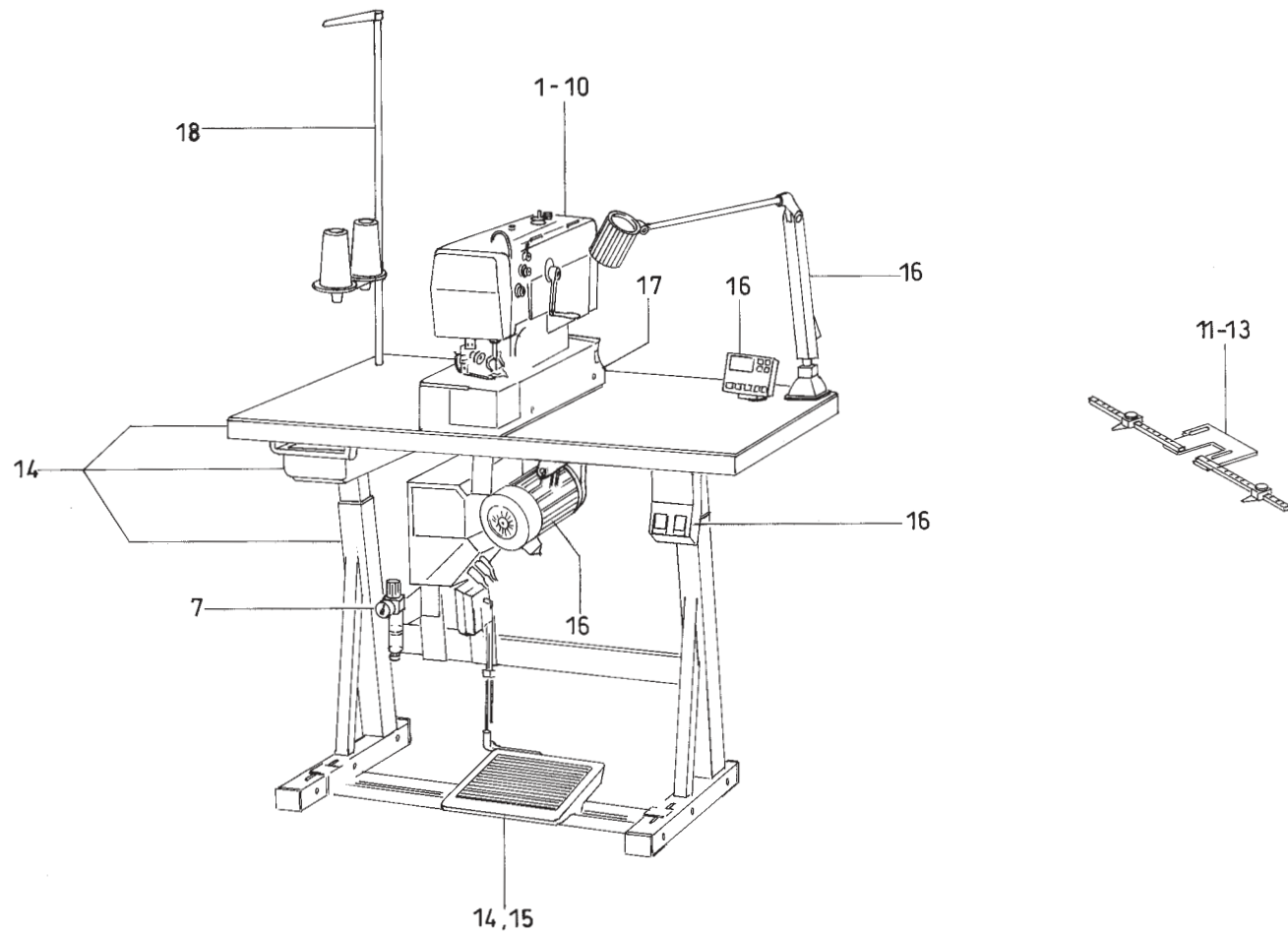


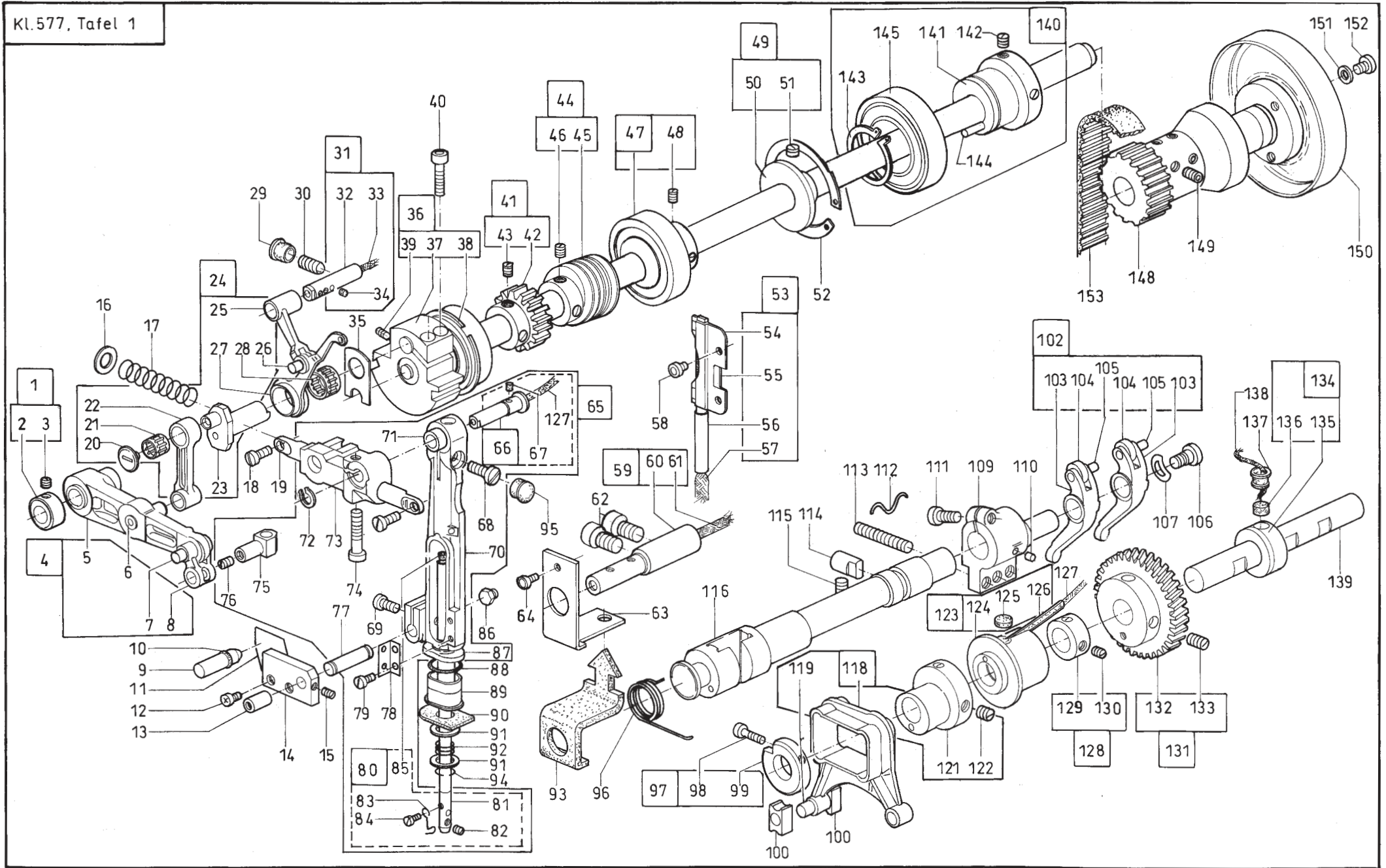
**Teileliste und Näheinrichtungen
Spare Parts List and Sewing Equipment**

577

577

Inhaltsverzeichnis	Tafel / Table	Contens
Maschinenoberteil	1 - 10	Machine head
Lineale	11	Guide
Anschläge	12	Stops
Anlegehilfen	13	Loading helps
Gestellteile	14	Stand parts
Pedal	15	Pedal
Elektroteile	16	Electric parts
Beipack	17, 18	Accessories
Näheinrichtungen		Sewing equipment
Pläne		Plans





Pos.	Teile-Nr.	Benennung	Denomination
1	0556 000103	STELLR NG (M T P S. 2,3)	set-ring, ad usting cpl. (with pos. 2,3)
2		S E E P S.1)	(see pos 1)
3	0702 000020	GE NDEST FT	threaded stud
4	0556 000088	EBEL (M T P S. 5-8)	le el cpl. (with pos. 5-8)
5		S E E P S.4)	(see pos.4)
6		S E E P S.4)	(see pos.4)
7		S E E P S. 4)	(see pos.4)
8		S E E P S. 4)	(see pos4)
9	0576 000577	B L EN	bolt, stud
10	0265 000911	R NDD TR NG	round gasket
11	0576 000573	FEDERBLE	spring plate
12	9204 201658	L NSENS R.	screw
13	0265 000151	F E R NGSB L EN	guide bolt
14	0576 000561	ANLAGEPLATTE	plate
15	0223 000669	GE NDEST FT	stud
16	1005 009201	S E BE	disc
17	0556 000110	DR FEDER	presser spring
18	0902 000602	L.S R.	cyl. screw
19	0556 000107	A SE	axle
20	0211 000398	S RA BE	screw
21	0265 000106 M4	NADEL RAN	needle rim
22	0556 014984	GSTANGE	draught-rod
23	0576 000112	RBEL APFEN	crank stud, needle
24	0577 120014	FADEN EBEL (M T P S-20-23,25-28)	part (with pos. 20-23,25-28)
25		S E E P S. 24)	(see pos. 24)
26		S E E P S. 24)	(see pos. 24)
27		S E E P S: 24)	(see pos. 24)
28	0556 000071 M1	NADEL RAN	needle rim
29	0211 000007	ERS L.ST PFEN	plug
30	0556 000078	GE .ST FT	threaded pin
31	0556 000073	LAGERB L EN (M T P S. 32-34)	bearing rolt (with pos. 32-34)
32		S E E P S. 31)	(see pos. 31)
33	9041 100035	ELD T,R ND	oil wick,round

Pos.	Teile-Nr.	Benennung	Denomination
34	0002 008308 3325	R NDF L F 048	felt 1 m
35	0556 000055	ANLAGEPLATTE	lay-on plate
36	0576 000084	ARM ELLE (M T P S. 37-39)	arm shaft k (with pos. 37-39)
37		S E E P S.36)	(see pos, 36)
38	9129 016050	SPRENGR NG	spring ring
39	0556 014975	GE NDEST FT	stud
40	9202 002498	L.S R.	cyl. screw
41	0556 000202	A NRAD	part
42		S E E P S. 41)	(see pos. 41)
43	0223 000646	GE .ST FT	stud
44	0556 000746	S NE ENTR EB (M T P S. 45,46 ND P S. 80,81 A F Tafel 3)	worm gearing cpl. (with pos. 45,46 und pos. 80,81 on table 3)
45		S E E P S. 44)	(see pos. 44)
46	0223 000646	GE .ST FT	stud
47	0491 000105	ARMLAGER (M T P S. 48)	arm bearing (with pos. 48)
48	0223 000646	GE .ST FT	stud
49	0292 000727	ANLA FS E BE (M T P S. 50,51)	lay-on disc cpl. (wiith pos. 50,51)
50		S E E P S. 49)	(se pos. 49)
51	0223 000646	GE .ST FT	stud
52	0291 000046	S .R NG	retainer ring
53	0291 000223	D T ALTER (M T P S. 54-57)	wick holder (with pos. 54-57)
54		S E E P S. 53)	(see pos. 49)
55		S E E P S. 53)	(see pos. 53)
56	0002 008930 0090	ELS LA	oil hose
57	0002 005889 0800	FLA D T	flat wick
58	9202 002063	L.S R.	cyl. screw
59	0576 000401	A SE (M T P S. 60,61)	axle (with pos. 60,61)
60		S E E P S. 59)	(see pos.59)
61	9041 100030	ELD T,R ND	oil wick,round
62	0216 000209	S RA BE	screw
63	0556 000100	N EL	angle

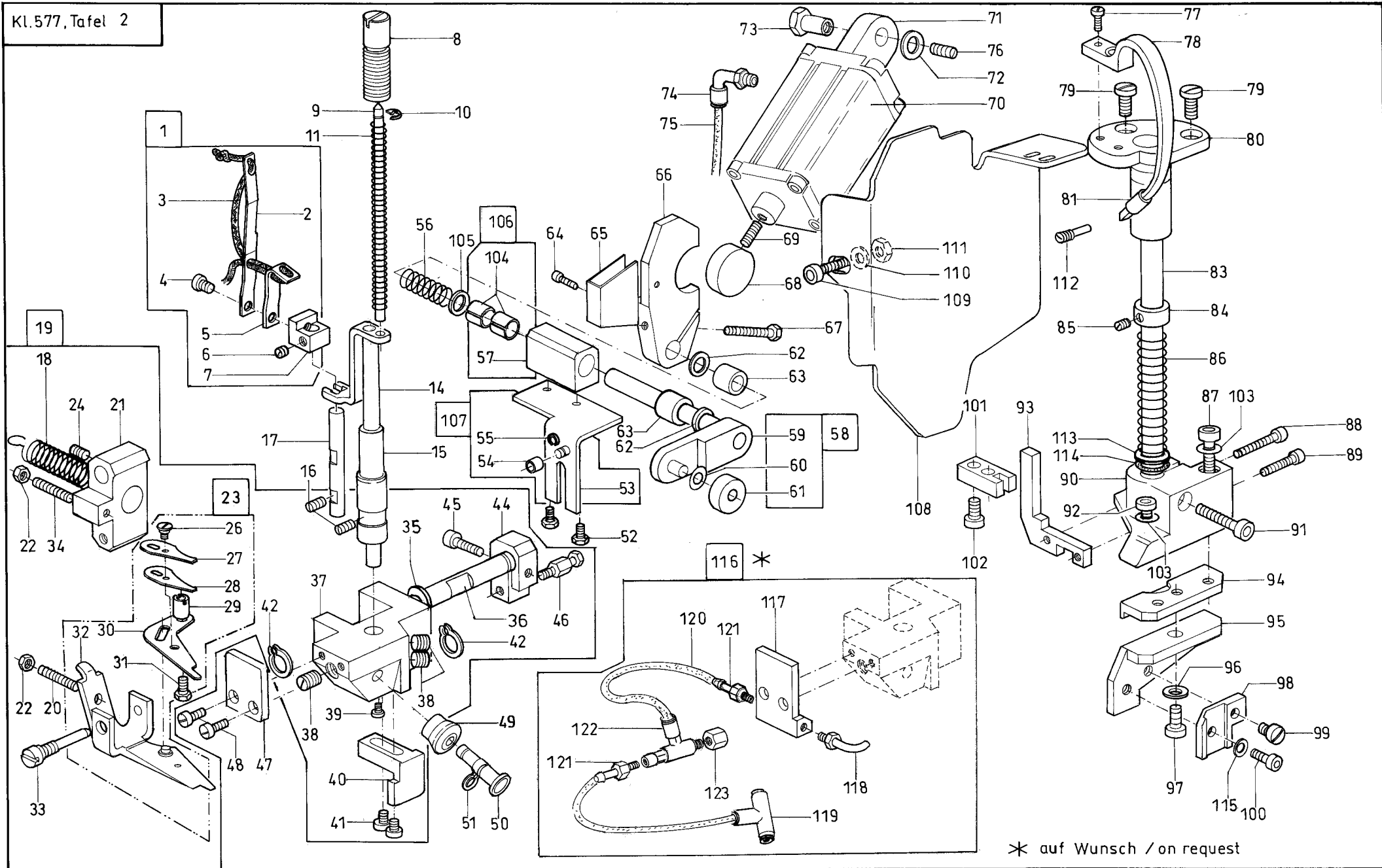
Pos.	Teile-Nr.	Benennung	Denomination
64	9204 201648	L NSENS R.	screw
65	0577 120064	L SSE (M T P S. 66-80,87)	part (with pos. 66-80,87)
66	0556 000115	E .B L EN	eccentric bolt
67	0002 008308 3325	R NDF L F 048	felt 1 m
68	0213 000370	L.S R.	cyl. screw
69	0556 000125	S RA BE	screw
70	0576 000465	NADELST. L SSE	needle bar frame
71	0556 000123	B SE	bushing
72	0570 001174	GRE FR NG	ring
73	0556 000112	S EBER	slide
74	1001 009129	L.S R.	cyl. screw
75	0556 000152	RE PF	crosshead
76	0541 001395	GE NDEST FT	stud
77	0556 000156	F E R NGSB L EN	guide bolt
78	0556 000135	N EL	angle
79	0557 002301	L.S R.	cyl. Screw
80	0577 120054	NADELSTANGE (M T P S. 81-85)	needle bar (with pos. 81-85)
81		S E E P S. 80)	(see pos. 80)
82	0556 000148	GE NDEST FT	stud
83	0556 000150	FADEN ESE	thread loop
84	9203 002421	L-S RA BE	cylinder screw
85	0570 010007	G MM ST PFEN	part
86	0556 000155	6 T.S R.	hexagonal screw
87	0556 000126	S T A BE	bonnet
88	0911 000290	R NDD TR NG	round gasket
89	0556 000141	ELS T APPE	cap
90	0576 000501	PLATTE	plate
91	0272 000143	S E BE	disc
92	0265 000136	DR FEDER	presser spring
93	0556 000101	F L TEL	felt part
94	0265 000138	SPRENGR NG	spring ring
95	0211 000007	ERS L.ST PFEN	plug
96	0556 000237	DRE FEDER	spring
97	0556 000221	LEMMR NG (M T P S. 98,99)	part (with pos. 98,99)

Pos.	Teile-Nr.	Benennung	Denomination
98	9203 113721	FLA PFS R.	coutersunk screw
99	0556 000222	LEMMR NG	clamping ring
100	0211 000088	GLE TSTE N	slide block
102	0556 000252	R LLEN EBEL	roller le er
103		S E E P S. 102)	(see pos. 102)
104	0556 000254	R LLE	roll, roller
105	0556 000255	L.ST FT	cylinder pin
106	1001 009108	ANSAT S RA BE	shoulder screw
107	0420 000362	FEDERS E BE	spring disc
109	0556 000247	R LLENB	part
110	0216 000346	L.ST FT	cylinder pin
111	9202 002903	L.S R.	cyl. screw
112	0556 000251	ARRET ERFEDER	locking spring
113	0570 000664	GE .ST FT	threaded pin
114	0556 000238	F E R NGSB L EN	guide bolt
115	9205 102488	GE .ST FT	threaded pin
116	0556 000234	ST ST. L SSE	crank
118	0576 000744	ST STELLER (M T P S. 119-122)	part (with pos. 119-122)
119		S E E P S. 118)	(see pos. 118)
121		S E E P S. 118)	(see pos. 118)
122	0223 000648	GE .ST FT	stud
123	0576 000633	LAGER (M T P S. 124-127)	part (with pos. 124-127)
124		S E E P S. 123)	(see pos. 123)
125	0211 000305 A	F L TEL	felt part
126	0002 008930 0060	ELS LA	oil hose
127	9041 100030	ELD T,R ND	oil wick,round
128	0792 006051	STELLR NG (M T P S. 129,130)	set-ring, ad usting k (with pos. 129,130)
129		S E E P S. 128)	(see pos. 128)
130	0420 000084	GE NDEST FT	stud
131	0576 000698	A NRAD (M T P S. 132,133)	part (with pos. 132,133)
132		S E E P S. 131)	(see pos. 131)
133	0223 000648	GE .ST FT	stud
134	0576 000651	LAGER	part

Tafel/ Table: 001

Pos.	Teile-Nr.	Benennung	Denomination
		(M T P S. 135,136)	(with pos. 135,136)
135		S E E P S. 134)	(see pos. 134)
136	9041 100203	BA M LLD T	wick
137	0211 000013	NSTST.M FFE	plastik bushing
138	9041 100030	ELD T,R ND	oil wick,round
139	0556 000171	ELLE	shaft
140	0577 100054	LAGERB SE	part
		(M T P S. 141-145)	(with pos. 141 145)
141		S E E P S. 140)	(see pos. 140)
142	0216 000209	S RA BE	screw
143	9352 000300	S .R NG	retainer ring
144	0570 002383	SPANNST FT	pin
145	9120 030300	R LLEN GELLAGER	ballbearing
148	0577 100180	ANDRADFLANS	handwheel flange
149	9205 102783	GE . ST FT	stud
150	0271 000090	ANDRAD	balance wheel
151	0791 001093 A	S E BE	disc
152	9204 201977	L NSENS R.	screw
153	9130 221100	A NR EMEN	part

Pos.	Teile-Nr.	Benennung	Denomination
------	-----------	-----------	--------------



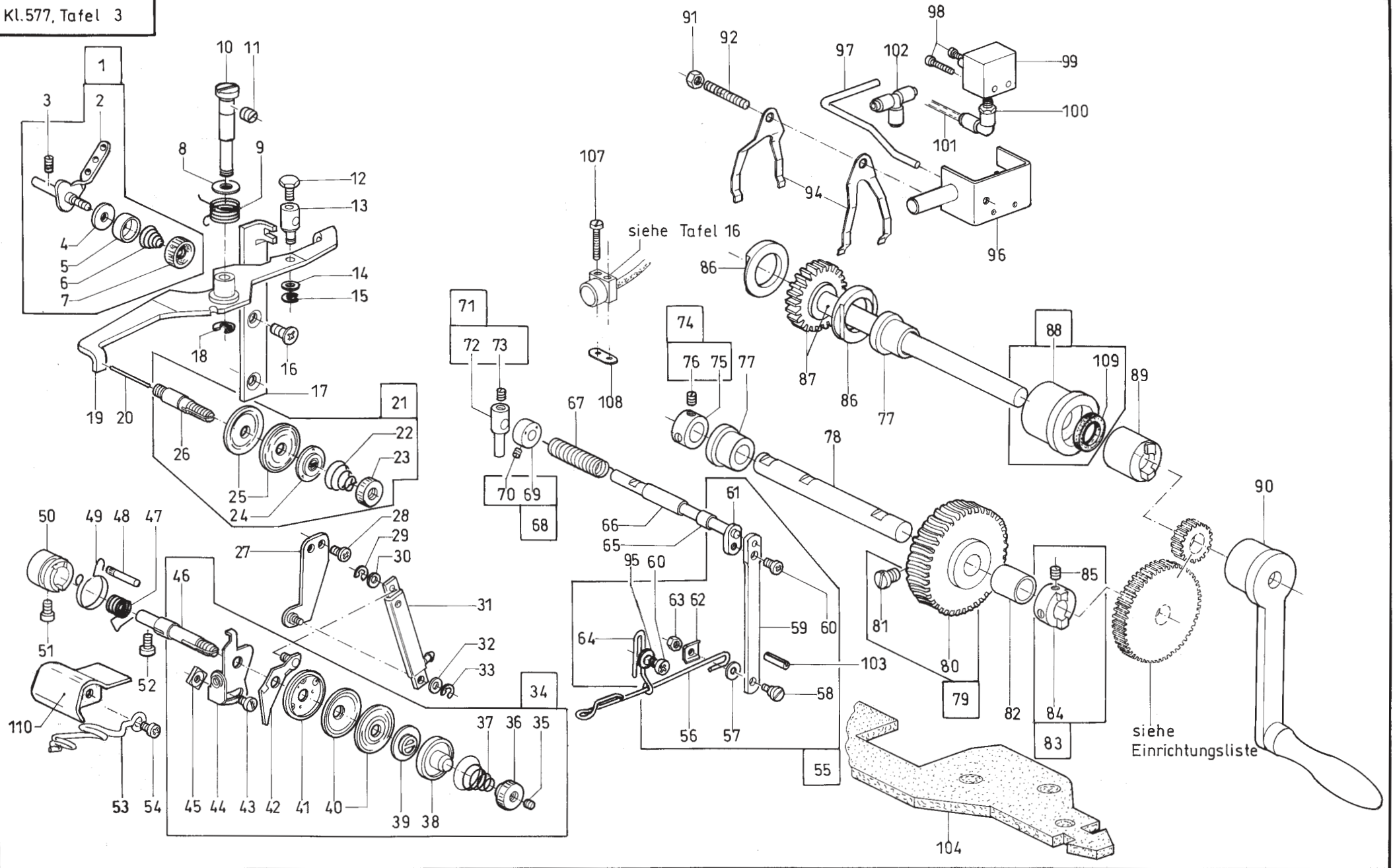
* auf Wunsch / on request

Pos.	Teile-Nr.	Benennung	Denomination
1	0576 001112	L BEN (M T P S. 2-7)	block (with pos. 2-7)
2	0556 014999	BLE	plate
3	9041 100030	ELD T,R ND	oil wick,round
4	0570 010725	S RA BE	screw
5	0556 000440	D T ALTER	wick holder
6	0541 001395	GE NDEST FT	stud
7	0576 001114	L BEN	block
8	0556 015053	S RA BE	screw
9	0556 000434	F E R NGSB L EN	guide bolt
10	9357 000050	S .S E BE	fastennig disc
11	0556 000433	DR FEDER	presser spring
14	0577 130233	ST FFSTANGE	foot bar
15	0556 000421	ST FFST.B SE	bushing
16	0902 000140	GE NDEST FT	stud
17	0576 001107	F E R NGSB L EN	guide bolt
18	0577 350130	GFEDER	draw spring
19	0577 350204	ST FFDR. L BEN (M T P S. 18,20-23,24-46)	cloth pressure block cpl. (with pos. 18,20-23,24-46)
20	9205 101918	GE NDEST FT	stud
21	0577 350010	S NG EBEL	le er
22	9231 000368	6 T.M TTER	hexagonal nut
23	0577 350074	BERFADENS ERE (M T P S. 26-32)	part (with pos. 26-32)
24	0702 000020	GE NDEST FT	stud
26	0576 001339	ANSAT S RA BE	shoulder screw
27	0556 000894	FADEN LEMMBLE	thread plate
28	0577 350080	FADEN LEMMBLE	thread plate
29	0577 350090	B L EN	bolt
30	0577 350070	BERMESSER	part
31	9201 112447	S RA BE	screw
32	0577 350063	NTERMESSER	part
33	0577 350050	B L EN	bolt
34	9205 101938	GE NDEST FT	stud
35	0998 880580	PAS S E BE	disc
36	0577 350040	ELLE	shaft
37	0577 130050	L BEN	block

Pos.	Teile-Nr.	Benennung	Denomination
38	0223 000648	GE NDEST FT	stud
39	0270 000263	L.S R.	cyl. screw
40	0577 130070	ANS LAG	guide
41	9202 002073	L.S R.	cyl. screw
42	0212 004841	S .R NG	retainer ring
44	0577 350020	S EN EBEL	le er
45	9203 003997	L.S R.	cyl. screw
46	0577 350030	APFEN	part
47	0577 130060	F NGERS T	part
48	9203 003037	L.S R.	cyl. screw
49	0556 000445	F E R NGSR LLE	guide roller
50	0577 130080	B L EN	bolt
51	9352 000060	S .R NG	retainer ring
52	9201 112447	6 T.S R.	screw
53		S E E P S. 107)	(see pos. 107)
54	0570 050039	R LLE	roll, roller
55	0570 050040	SPRENGR NG	spring ring
56	0577 350140	DR FEDER	pressure spring
57		S E E P S. 106)	(see pos. 106)
58	0577 330084	E ENTER ELLE (M T P S. 59-61)	part (with pos. 59-61)
59	0577 330083	E ENTER ELLE	part
60	0998 881010	PAS S E BE	washer
61	9120 110060	LA FR LLE	part
62	0291 000347	ST ET S E BE	support disc
63	0291 000334	B SE	bushing
64	9203 003032	L.S R.	cyl. screw
65	0577 330110	LAMMER	part
66	0577 330090	EBEL	le er
67	9201 113317	6 T.S R.	hexagonal screw
68	0577 330100	S EN ST E	part
69	9205 102238	GE .ST FT	threaded pin
70	9700 212018	L NDER,D PPEL	cylinder
71	9700 900501	S EN FLANS	part
72	9334 002638	ST ET S E BE	support disc
73	0577 330120	B L EN	bolt
74	9790 201000	ERS R. -E	coupling

Pos.	Teile-Nr.	Benennung	Denomination
75	9731 005004	S LA	hose
76	9205 102588	GE .ST FT	threaded pin
77	9203 003668	L.S R.	cyl. screw
78	0577 100170	FADEN EBELS T	protector
79	9203 004261	L.S R.	cyl. screw
80	0577 330053	F E R NG	part
81	0265 000380 A	ELSE	bushing
83	0577 330030	MESSERSTANGE	part
84	0556 015073	R NG	ring
85	9205 101918	GE .ST FT	threaded pin
86	0577 330040	DR FEDER	pressure spring
87	9202 002128	L.S R.	cyl. screw
88	9202 002388	L.S R.	cyl. screw
89	9202 002093	L.S R.	cyl. screw
90	0577 330010	MESSER L BEN	part
91	9202 002513	L.S R.	cyl. screw
92	9202 042328	L.S R.	cyl. screw
93	0577 330020	F E R NG	part
94	0576 006041	PLATTE	plate
95	0576 006047	MESSER N EL	knife angle
96	9330 000088	S E BE	disc
97	9202 002063	L.S R.	cyl. screw
98	0576 006051	MESSER ALTER	knife holder
99	9204 201648	L NSENS R.	screw
100	9204 201958	L NSENS R.	screw
101	0556 000361	F E R NGSGABEL	guide fork
102	9202 042888	L.S R.	cyl. screw
103	9330 000088	S E BE	disc
104		S E E P . 106)	(see pos. 106)
105	0272 000143	S E BE	disc
106	0577 350103	F E R NGSB SE	part
		(M T P S. 57,104)	(with pos. 57,104)
107	0577 350124	S B N EL	part
		(M T P S. 53-55)	(with pos. 53-55)
108	0577 100190	ELS T BLE	part
109	9204 201728	L NSENS R.	screw
110	9330 200098	S E BE	disc

Pos.	Teile-Nr.	Benennung	Denomination
111	9231 110058	6 T. M TTER	nut
112	0556 000958	FADENLE TST FT	part
113	0577 330170	S E BE	disc
114	0556 014204	-R NG	ring
115	9330 000098	S E BE	disc
116	0577 590044	NADEL E L NG	part
		(M T P S. 117-123)	(with pos. 117-123)
117	0577 130240	F NGERS T	part
118	0576 001157	BLASR R	part
119	0999 240394	T-R- ERS R.	part
120	0219 055905	DR L. S LA	part
121	0797 002016	S LA T ELLE	part
122	9710 920013	ENT L , DR SSEL	part
123	9792 050010	M FFE	part



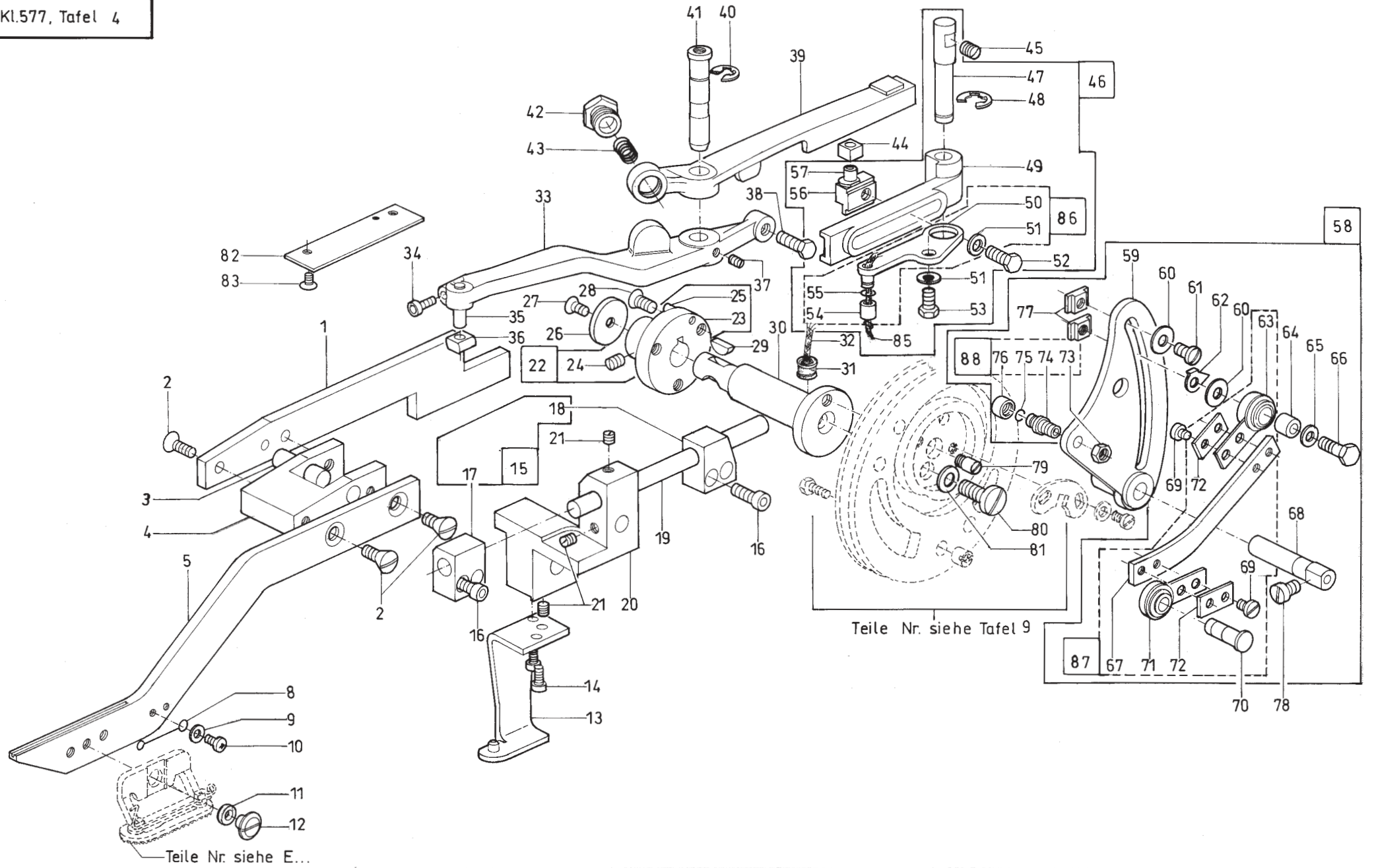
Pos.	Teile-Nr.	Benennung	Denomination
1	0576 002181	FADENLE T N . (M T P S. 2,4-7)	thread angle (with pos. 2,4-7)
2	0576 002182	FADENLE T N .	thread angle
3	9205 023658	GE .ST FT	threaded pin
4	0244 000415	SPANN NGS ELSE	tension bush
5	0244 000414	SPANN ELSE	clamping slee e
6	0271 001397	DR FEDER	presser spring
7	0271 001398	RAENDELM TTER	knurled nut
8	0021 000154	S E BE	disc
9	0556 000913	DRE FEDER	spring
10	0576 002161	LAGERB L EN	bearing bolt
11	0420 000084	GE NDEST FT	stud
12	9201 100001	6 T.S R.	hexagonal screw
13	0556 015125	B L EN	bolt, stud
14	0902 000514	S E BE	disc
15	9357 000060	S .S E BE	fastennig disc
16	0556 013153	SEN S R.	sunk screw
17	0576 002156	LAS E	shackle
18	9357 000060	S .S E BE	fastennig disc
19	0576 002151	A SL ESE EBEL	le er
20	0576 002226	ST FT	pin
21	0576 002223	FADENSPANN NG (M T P S. 22-26)	part (with pos. 22-26)
22	0055 000400	SPANN NGSFEDER	tension spring
23	0211 000482	M TTER	nut
24	0061 001050	STEGS E BE	disc
25	0211 050214	SPANN NGS E BE	tension washer
26	0576 002225	SPANN NGSB L EN	tension ad usting s
27	0576 002311	ALTEBLE	holding plate
28	9204 201648	L NSENS R.	screw
29	9357 000040	S .S E BE	fastennig disc
30	9330 000068	S E BE	disc
31	0797 001038	L NDER	cylinder
32	9330 200098	S E BE	disc
33	9357 000050	S .S E BE	fastennig disc
34	0576 002264	SPANN NG (M T P S. 35 46)	part (with pos. 35-46)

Pos.	Teile-Nr.	Benennung	Denomination
35	0531 000464	GE NDEST FT	stud
36	0556 015012	RAENDELM TTER	knurled nut
37	0556 016459	SPANN NGSFEDER	tension spring
38	0556 016457	B SE	bushing
39	0061 001050	STEGS E BE	disc
40	0211 050214	SPANN NGS E BE	tension washer
41	0576 002276	S E BE	disc
42	0576 002271	SPANN NGSBL.	plate
43	9203 003621	L.S R.	cyl. screw
44	0576 002266	FADENBLE	thread plate
45	0556 000946	M TTER	nut
46	0576 002261	SPANN NGSB L EN	tension ad usting s
47	0556 014987	DRE FEDER	spring
48	0556 000954	ST FT	pin
49	0576 002257	S R.DRE FEDER	screw spring
50	0556 000933	ANS LAG ELSE	bush
51	9203 003648	L.S R.	cyl. screw
52	9203 003678	L.S R.	cyl. screw
53	0577 110010	FADENF E R NGS ESE	thread loop
54	9204 201648	L NSENS R.	screw
55	0576 002404	FADEN AE TER (M T P S. 56-64)	part (with pos. 56-64)
56	0556 007371	FADENF E R NG	thread guide
57	0570 000975	S E BE	disc
58	0556 007375	ANSAT S RA BE	screw
59	0576 002411	EBEL	le er
60	9204 201648	L NSENS R.	screw
61	0576 002391	ELLE	shaft
62	0556 007374	F E R NGSBLE	guide plate
63	9231 110038	6 T.M TTER	hexagonal nut
64	0576 002416	ALTE ESE	holding eyelet
65	0576 002396	B SE	bushing
66	0576 002397	B SE	bushing
67	0576 002398	S R.DRE FEDER	screw spring
68	0556 007354	STELLR NG (M T P S. 69,70)	set-ring,ad usting (with pos. 69,70)
69		S E E P S. 68)	(see pos. 68)

Tafel/ Table: 003

Pos.	Teile-Nr.	Benennung	Denomination
70	1001 009123	GE .ST FT	threaded pin
71	0576 002406	B L EN (M T P S. 72,73)	bolt cpl. (with pos. 72,73)
72		S E E P S. 71)	(see pos. 71)
73	0531 000464	GE NDEST FT	stud
74	0558 000156	STELLR NG (M T P S. 75,76)	set-ring, ad usting (with pos. 75,76)
75		S E E P S.74)	(see pos.74)
76	0147 000203	GE .ST FT	threaded pin
77	0556 000702	S NTERLAGER	sinter.bearing
78	0556 000744	ELLE	shaft
79	0556 000746	S NE . TR EB (M T P S. 80,81 ND P S. 45,46 A F Tafel 1)	part (with pos. 80,81 and pos. 45,46 on table 1)
80		S E E P S. 79)	(see pos.79)
81	0556 000584	L-S RA BE	cylinder screw
82	0556 000741	S NTERLAGER	sinter.bearing
83	0556 000759	STELLR NG (M T P S. 84, 85)	set-ring,ad usting (with pos. 84,85)
84		S E E P S. 83)	(see pos. 83)
85	0556 005040	GE NDEST FT	stud
86	0577 100200	BREMSS E BE	part
87	0577 100073	R T EL ELLE	part
88	0577 100063	LAGERB SE (M T P S.109)	part (with pos. 109)
89	0577 100083	B SE	bushing
90	0577 100093	AND RBEL	crank
91	9231 110108	6 T.M TTER	hexagonal nut
92	0993 521130	GE .ST FT	threaded pin
94	0577 100100	FEDERBLE	part
95	9330 000088	S E BE	disc
96	0577 100143	ALTEBLE	part
97	0577 100160	GSTANGE	part
98	9203 003098	L.S R.	cyl. screw
99	9700 101100	L NDER,E NF.	cylinder
100	9790 201000	ERS R. -E	coupling
101	9731 005004	S LA	hose

Pos.	Teile-Nr.	Benennung	Denomination
102	0999 240394	T-R - ERS R.	coupling
103	0558 000305 A	SPANNST FT	pin
104	0556 000764	F L TEL	felt part
107	9203 003118	L.S R.	cyl. screw
108	0227 000596	LAS E	shackle
109		S E E P S. 88)	(see pos. 88)
110	0577 110020	FADENLE TBLE	part



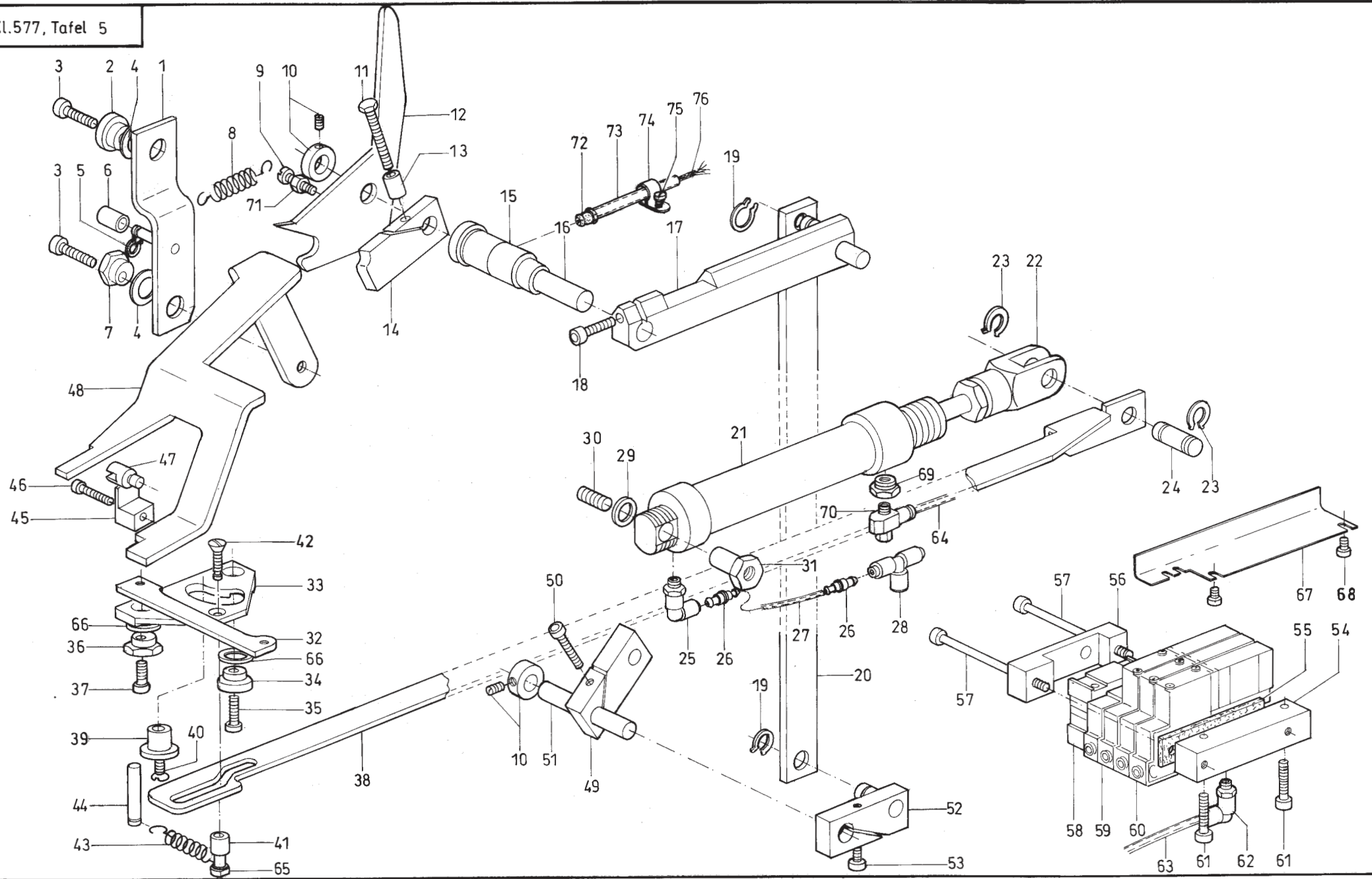
Pos.	Teile-Nr.	Benennung	Denomination
1	0577 130030	LAMMER EBER	part
2	0211 000249	SEN S R.	sunk screw
3	0577 130040	B L EN	bolt
4	0577 130020	LAMMER	part
5	0577 130010	LAMMERARM	part
8	0577 130210	FEDER	spring
9	9330 000088	S E BE	disc
10	9204 201658	L NSENS R.	screw
11	0556 000457	D STAN S E BE	disc
12	0556 000456	BEF.S RA BE	fastenning screw
13	0577 310023	N EL	angle
14	9202 002467	L.S R.	cyl. Screw
15	0576 001632 MT	GLE TLAGER (M T P S.17,18)	antifriction bearin (with pos. 17,18)
16	9202 003178	L.S R.	cyl. screw
17		S E E P S. 15)	(see pos. 15)
18		S E E P S. 15)	(see pos. 15)
19	0556 000548	A SE	axle
20	0577 310010	S EBERB	part
21	9205 102158	GE .ST FT	threaded pin
22	0556 000594	FLANS (M T P S. 23-25)	flange cpl. (with pos. 23-25)
23		S E E P S. 22)	(see pos. 22)
24	0223 000648	GE .ST FT	stud
25	0556 000211	SPANNST FT	pin
26	0556 000598	S E BE	disc
27	0556 000599	SEN S RA BE	sunk screw
28	0556 000660	SEN S RA BE	sunk screw
29	0570 000497	S E BENFEDER	spring
30	0556 000591	ELLE	shaft
31	0211 000013	NSTST.M FFE	plastik bushing
32	9041 100030	ELD T,R ND	oil wick,round
33	0556 000642	ST LAGEN EBEL	part
34	9202 042087	L.S R.	cyl. screw
35	0556 000646	L.ST FT	cylinder pin
36	0265 000736	GLE TSTE N	slide block
37	0531 000471	GE NDEST FT	stud

Pos.	Teile-Nr.	Benennung	Denomination
38	0556 000645	STELLS RA BE	set-screw, ad ustin
39	0556 000640	ST LAGEN EBEL	le er
40	9357 000110	S .S E BE	fastennig disc
41	0576 002006	B L EN	bolt, stud
42	0556 000650	S RA BE	screw
43	0556 000649	DR FEDER	presser spring
44	0211 000162	GLE TSTE N	slide block
45	0223 000245	GE NDEST FT	stud
46	0576 001911	F E R. EBEL (M T P S.47-49,51-53, 56,57,85,86)	part (with pos.47-49,51-53, 56,57,85,86)
47	0576 001913	B L EN	bolt, stud
48	9357 000110	S .S E BE	fastennig disc
49	0556 000618	F E R NGS EBEL (S E E P S. 86)	guidele er (see pos. 86)
50		S E E P S. 86)	(see pos. 86)
51	9330 000108	S E BE	disc
52	0556 000637	6 T.S R.	hexagonal screw
53	9201 113268	6 T.S R.	hexagonal screw
54	0556 000627	R LLE	roll, roller
55	0556 000626	SPRENGR NG	spring ring
56	0556 000632	L BEN	block
57	0556 000633	B L EN	bolt, stud
58	0576 001691	N EL EBEL (M T P S. 59-62,64-66 68,70,77,87,88)	part (with pos. 59-62,64-66 68,70,77,87,88)
59	0576 001693	N EL EBEL	le er
60	0576 001677	S E BE	disc
61	0911 000136	S RA BE	screw
62	0556 000566	E NSTELL E GER	ad usting index
63	0556 000567	LAGER	bearing
64	0556 000586	B SE	bushing
65	0650 000072	S E BE	disc
66	0556 000587	BEF.S RA BE	fastenning screw
67	0556 000569	LAS E	shackle
68	0576 001721	B L EN	bolt, stud
69	9203 003948	L.S R.	cyl. screw
70	0556 000556	B L EN	bolt, stud

Tafel/ Table: 004

Pos.	Teile-Nr.	Benennung	Denomination
71	0556 000562 A	LAGER	bearing
72	0556 000570	NTERLEGBLE	lower plate
73	0211 003028	6 T.M TTER	hexagonal nut
74	0556 000578	R LLENB L EN	roller bolt
75	0211 000395	SPRENGR NG	spring ring
76	0556 000579	R LLE	roll, roller
77	0576 001712	SPE ALM TTER	nut
78	0556 000584	L-S RA BE	cylinder screw
79	0216 000199	APFENS RA BE	screw
80	0556 001132	S RA BE	screw
81	9330 000127	S E BE	disc
82	0556 000554	F E R NGSLE STE	part
83	9203 314257	SEN S R.	screw
85	9041 100025	ELD T, R ND	oil wick, round
86	0556 000622	ALTEBLE (M T P S. 50,54,55)	holding plate (with pos. 50,54,55)
87	0556 000561 A	LAS E (M T P S.63,67,69,71,72)	shackle (with pos. 63,67,69,71,72)
88	0556 000578	R LLENB L EN (M T P S.73-76)	roller bolt (with pos. 73-76)

Pos.	Teile-Nr.	Benennung	Denomination
------	-----------	-----------	--------------



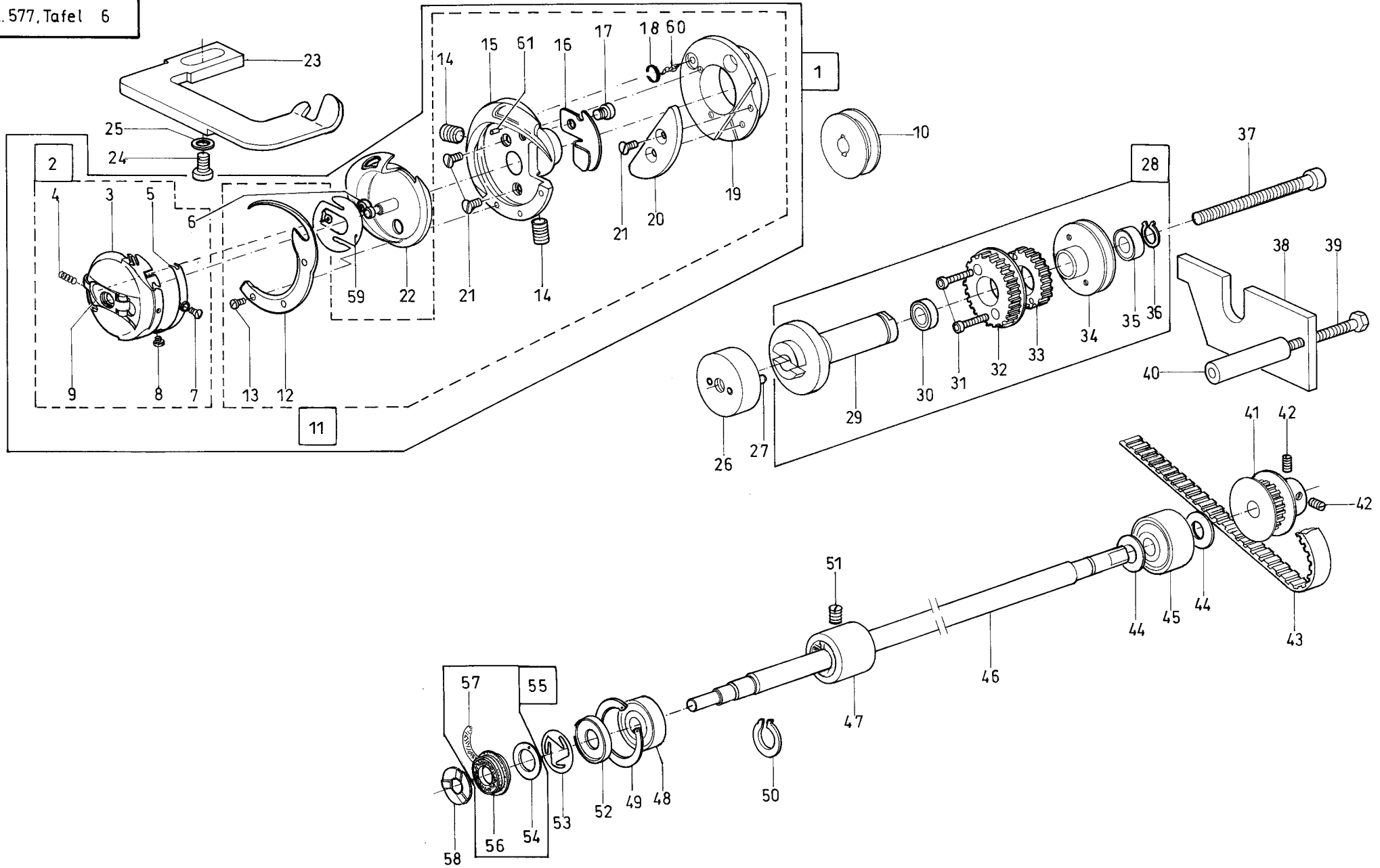
Pos.	Teile-Nr.	Benennung	Denomination
1	0577 350173	S NG EBEL	part
2	0577 350290	LAGER ELSE	bearing bush
3	9202 002493	L.S R.	cyl. screw
4	0998 880610	PAS S E BE	washer
5	9352 000050	S .R NG	retainer ring
6	9122 310010	NNENR NG	part
7	0577 350300	E ENTERB SE	eccenter bushing
8	0577 350410	GFEDER	spring
9	9203 003662	L.S R.	cyl. screw
10	0996 120420	STELLR NG	set-ring, ad usting
11	9201 112938	6 T.S R.	hexagonal screw
12	0577 350160	FRE GEBER R E	part
13	0577 350400	B SE	bushing
14	0577 350150	ABS NE D. R E	part
15	0577 130180	LAGERB SE	bearing bush
16	0577 130110	ELLE	shaft
17	0577 130163	EBEL	le el
18	9202 002493	L.S R.	cyl. screw
19	9352 000100	S .R NG	retainer ring
20	0577 130150	ERB ND NG	part
21	9700 212019	L NDER,D PPEL	cylinder
22	9700 900301	GABEL PF	part
23	9352 000100	S .R NG	retainer ring
24	0577 130100	B L EN	bolt
25	9790 201001	-E - ERS R.	coupling
26	9790 000220	N PPEL,STE -	nipple
27	0699 979265	S LA	hose
28	0999 240394	T-R - ERS R.	coupling
29	9334 002638	ST ET S E BE	support disc
30	0223 000448	GE .ST FT	threaded pin
31	0577 330120	B L EN	bolt
32	0577 350310	ANTR EBSSTANGE	part
33	0577 350280	ANTR EBSPLATTE	part
34	0577 350290	LAGER ELSE	part
35	0902 000446	L.S R.	cyl. screw
36	0577 350300	E ENTERB SE	eccenter bushing
37	0213 000370	L.S R.	cyl. screw

Pos.	Teile-Nr.	Benennung	Denomination
38	0577 350260	R ENS EBER	part
39	0577 350270	F E R NGSB L EN	part
40	9203 314038	SEN S R.	screw
41	0577 350370	R LLE	roller
42	0577 350340	FEDERS RA BE	part
43	0577 350350	GFEDER	spring
44	0739 005406	LAGERB L EN	bearing bolt
45	0577 130200	ALTER	holder
46	9203 003701	L.S R.	cyl. screw
47	0577 130190	S EN ST FT	part
48	0577 350180	S ERENS L ESSER	part
49	0577 130120	EBEL	le er
50	9202 003177	L.S R.	cyl. screw
51	0577 130110	ELLE	shaft
52	0577 130143	EBEL	le el
53	9202 003177	L.S R.	cyl. screw
54	0577 140190	L FTANS L SS	part
55	0577 140210	D T NG	part
56	0577 140200	LEMMST E	part
57	9202 002208	L.S R.	cyl. screw
58	9710 900013	ABS L SSBL	part
59	9710 061201	ENT L,MAGNET	magnet
60	9710 061202	ENT L,MAGNET	magnet
61	9203 003738	L.S R.	cyl. screw
62	0999 240392	-E - ERS R.	coupling
63	9731 006004	S LA	hose
64	9731 005004	S LA	hose
65	0577 350360	APFEN	roller
66	0998 880610	PAS S E BE	washer
67	0577 140220	S LA F E R NG	part
68	9202 002063	L.S R.	cyl. screw
69	9792 001030	RED ERN PPEL	reducing nipple
70	9710 920012	ENT L,DR SSEL	al e reactor
71	9231 110058	6 T.M TTER	hexagonal nut
72	0211 000085	D T ALTER	wick holder
73	0002 008930 0090	ELS LA	oil hose
74	9840 120026	BEF.S ELLE	clamp

Tafel/ Table: 005

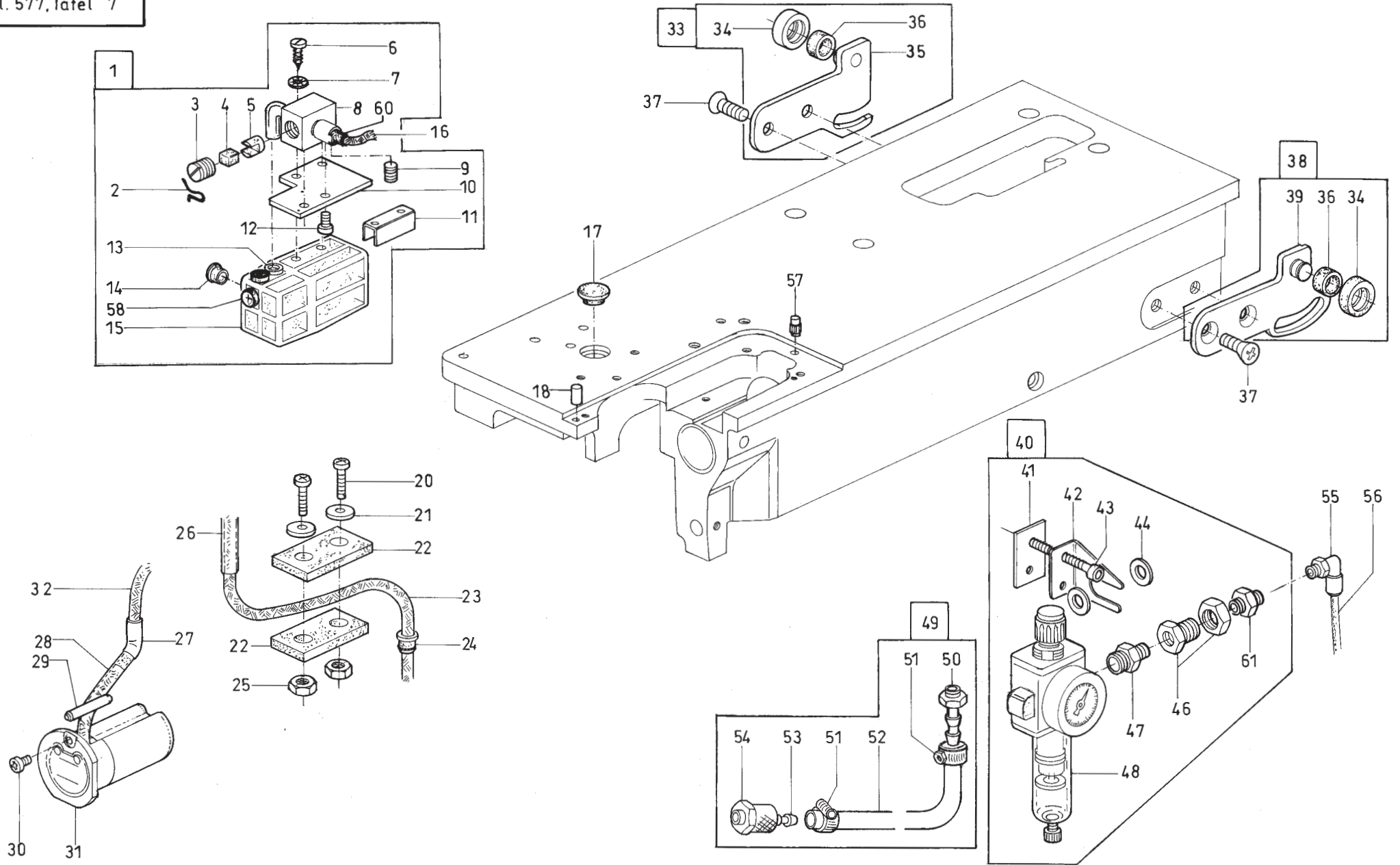
Pos.	Teile-Nr.	Benennung	Denomination
75	9203 003657	L.S R.	cyl. screw
76	9041 100015	ELD T,R ND	oil wick,round

Pos.	Teile-Nr.	Benennung	Denomination
------	-----------	-----------	--------------



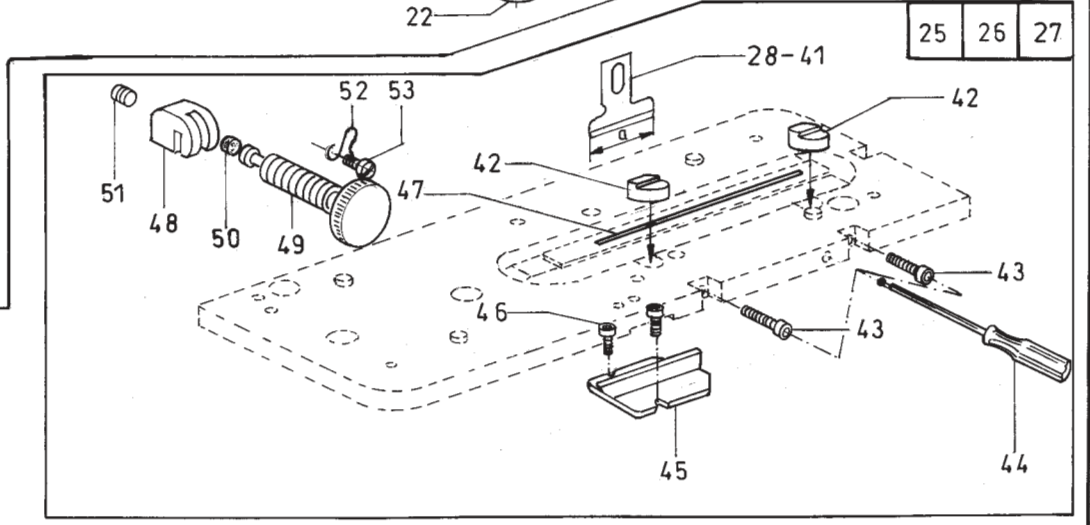
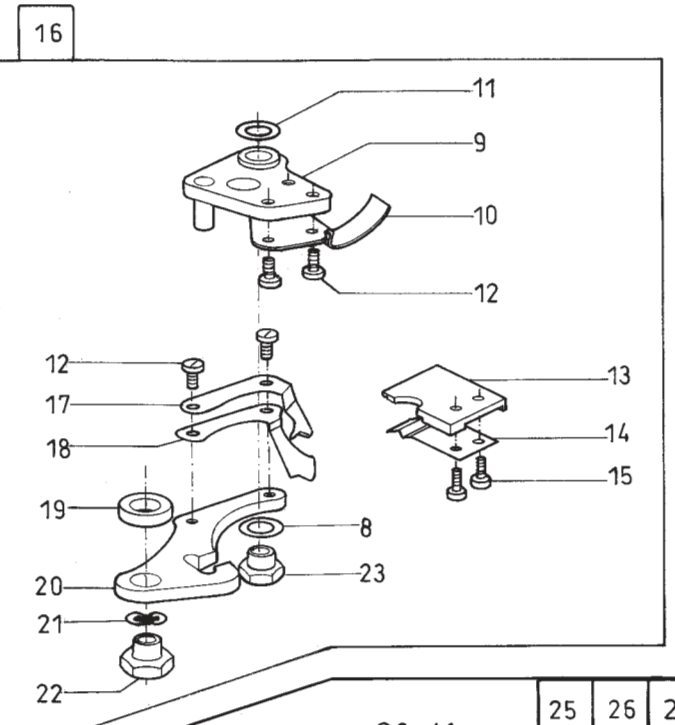
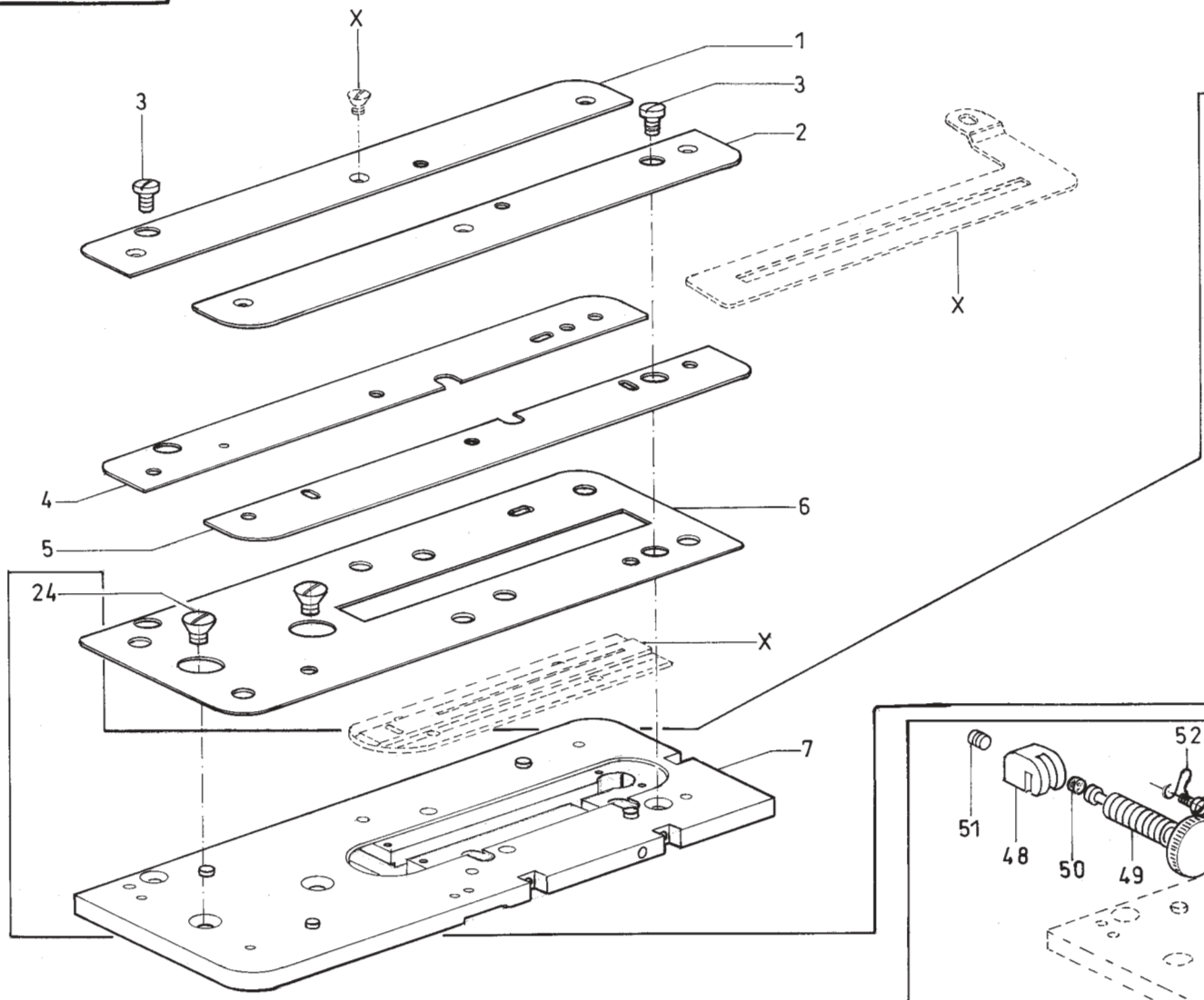
Pos.	Teile-Nr.	Benennung	Denomination
1	0577 150014	GRE FER (M T P S. 2, 13-22,59,60)	hook cpl. (with pos. 2,13-22,59,60)
2	0577 150044	SPG . BERTE L (M T P S. 3-9)	upper bobbin casing cpl. (with pos. 3-9)
3		S E E P S.2)	(see pos.2)
4	0204 000339	DR FEDER	presser spring
5	0556 005051	FEDER	spring
6	0204 000340	L-S RA BE	cylinder screw
7	0556 005056	L NDER	cylinder screw
8	0556 005055	L-S RA BE	cylinder screw
9	0252 000373	S ARN ER	hinge
10	0576 003338	SP LE	bobbin
11	0577 150064	GRE FER (M T P S.12-21,60 ,61)	hook cpl. (with pos 12-21,60,61)
12	0577 150010	GRE FERDE EL	hook line co er
13	0211 000919	L-S RA BE	cylinder screw
14	0271 000756	GE .ST FT	threaded pin
15		S E E P S. 11)	(see pos. 11)
16	0556 005031	S T BLE	guard plate
17	9203 003028	L.S R.	cyl. screw
18	0556 005025	G MMR NG	part
19	0556 005024	ELR NG	oil ring
20	0556 005023	A SGL.GE T	compens weight
21	9203 311831	SEN S R.	sunk screw
22	0577 150020	SPG . NTERTE L	lower bobbin casing
23	0577 150070	ALTER	part
24	9204 201658	L NSENS R.	screw
25	9330 000088	S E BE	disc
26	0577 140060	NTERS E BE	part
27	0558 000305 A	SPANNST FT	pin
28	0577 140104	R EMENS E BE (M T P S. 29-36)	belt wheel cpl. (with pos. 29-36)
29	0577 140050	LAGERB L EN	bearing bolt cpl.
30	9120 030171	R LLEN GELLAGER	boll bearing
31	9202 002528	L.S R.	cyl. screw
32	0577 140093	A NR EMENS .	toothed belt wheel
33	0577 140080	A NR EMENS .	toothed belt wheel

Pos.	Teile-Nr.	Benennung	Denomination
34	0577 140070	R EMENS E BE	belt wheel
35	9120 030152	R LLEN GELLAGER	ballbearing
36	9352 000150	S .R NG	retainer ring
37	9202 003407	L.S R.	cyl. screw
38	0577 140110	R EMENS T	belt guard
39	9201 113407	6 T.S R.	hexagonal screw
40	0793 022212	B SE	bushing
41	0577 140040	R EMENS E BE	belt wheel
42	0556 005040	GE NDEST FT	fastenning screw
43	9130 220010	A NR EMEN	toothed belt
44	0291 000347	ST ET S E BE	support disc
45	9120 030102	R LLEN GELLAGER	ballbearing
46	0577 140020	GRE FER ELLE	hook shaft
47	0577 140030	R NG	ring
48	9120 430100	S RAEG GELLAGER	part
49	9353 000198	S .R NG	retainer ring
50	9352 000100	S .R NG	retainer ring
51	0223 000245	GE NDEST FT	stud
52	0576 002895	D STAN S E BE	distance disc
53	0556 001535	FEDERS E BE	spring disc
54	0911 000040	S E BE	disc
55	0556 001521	ELS E BE (M T P S. 54-57)	oil disc cpl. with pos. 54-57)
56	0556 001522	ELS E BE	oil disc
57	9041 100035	ELD T,R ND	oil wick,round
58	0556 001525	S E BE	disc
59	0556 005074	BREMSFEDER	part
60	9041 100203	BA M LLD T	wick
61	0577 150100	F L TEL	part



Pos.	Teile-Nr.	Benennung	Denomination
1	0556 001571	ELBE AELTER (M T P S. 2-15)	part (with pos. 2-15)
2	0556 001581	ARRET ERFEDER	locking spring
3	0265 000751	S RA BE	screw
4	0211 008285	DR B L EN	presser bolt
5	0265 000753	DR ELSE	pressure bushing
6	0744 001115	L-BLE S R.	screw
7	0739 000347	A NS E BE	toothed washer
8	0556 001572	REG L ERST	regulat piece
9	0223 000245	GE NDEST FT	stud
10	0556 001582	PLATTE	plate
11	0556 003088	BEF.ST E	fasten piece
12	9203 003648	L.S R.	cyl. screw
13	0211 000013	NSTST.M FFE	plastik bushing
14	9050 050001	S T APPE	cap
15	0556 003082 A	ELBE AELTER	oil container
16	9041 100035	ELD T,R ND	oil wick,round
17	0911 000150	ERS L SS APPE	cap
18	0576 002630	ST FT	pin
20	9204 201728	L NSENS R.	screw
21	0933 010407	S E BE	disc
22	0576 000033	FL	felt
23	9041 100040	ELD T,R ND	oil wick,round
24	0211 000806	ST PFEN	cap
25	9231 110058	6 T.M TTER	hexagonal nut
26	0699 979951	S LA ,S	hose
27	0576 000012	ELR R	oil pipe
28	0699 979965	S LA ,S	hose
29	0570 002383	SPANNST FT	pin
30	9204 201658	L NSENS R.	screw
31	0576 000046	ELBE AELTER	oil container
32	9041 100050	ELD T,R ND	oil wick,round
33	0577 140174	S EN LAS E (M T P S. 34-36)	turning shackle cpl. (with pos. 34-36)
34	0576 002673	ELSE	bushing
35		S E E P S. 33)	(see pos. 33)
36	0576 002674	R NG	ring

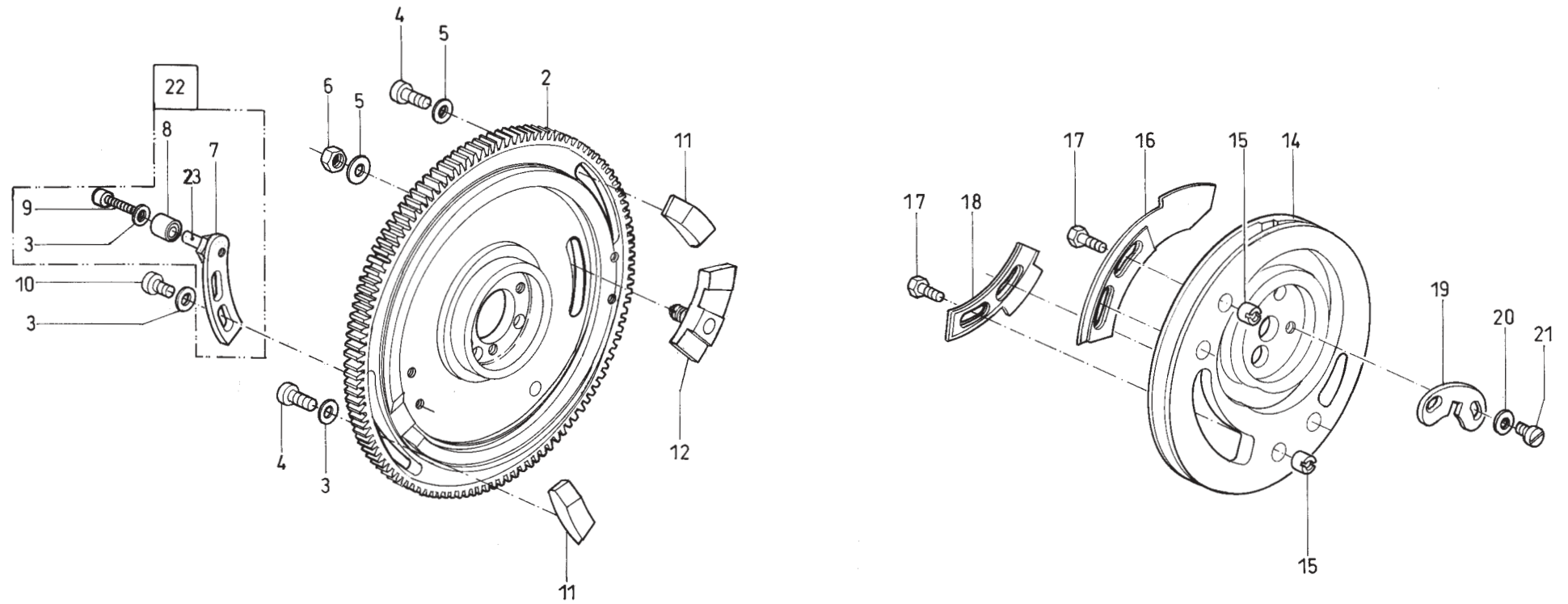
Pos.	Teile-Nr.	Benennung	Denomination
37	9204 002368	SEN S R.	screw
38	0577 140184	S EN LAS E (M T P S. 34, 36, 39)	turning shackle cpl. (with pos. 34, 36, 39)
39		S E E P S. 38)	(see pos. 38)
40	9780 000108	ART NGSEN ET (M T P S. 41-44,46-48)	part (with pos. 41-44,46-48)
41	MG53 007922	LAS E	part
42	MG53 007921	N EL	angle
43	9202 002927	L.S R.	screw
44	9330 000167	S E BE	disc
46	0999 240341	S TT ERS R.	coupling
47	0999 240303	D PPELN PPEL	double nipple
48	9781 000002	F LTERREGLER	filter regulator
49	0797 003031	DR LET NG (M T P S. 50-54)	cable cpl. (with pos. 50-54)
50	0744 001796	S LA T ELLE	hose socket
51	0742 002096	DEAL-S ELLE	hose clamp
52	9731 002001	S LA	hose
53	0744 001793 B	PPL. STE ER	plug
54	0744 001793 A	PPL NGSD SE	coupling socket
55	0999 240392	-E- ERS R.	coupling
56	9731 006004	S LA	hose
57	0216 000007	ST FT	pin
58	0556 003087	E NF ELLST PFEN	part
60	0002 008930 0090	ELS LA	oil hose
61	0744 001819	D PPELN PPEL	double nipple



X - Teile Nr. siehe E...

Pos.	Teile-Nr.	Benennung	Denomination
1	0556 015409	DE BLE	co er plate
2	0556 015408	DE BLE	co er plate
3	9203 003648	L.S R.	cyl. screw
4	0556 015407 A	D STAN BLE	distance plate
5	0556 015406 A	D STAN BLE	distance plate
6	0577 200020	GLE TBLE	slide plate
7	0577 200013	ST PLATTE	throat plate
8	1001 001153	S E BE	disc
9	0577 350213	MESSER ALTER	part
10	0577 350230	NTERFAD.MESSER	part
11	0570 092916	S E BE	disc
12	0556 001687	L-S RA BE	cylinder screw
13	0577 350320	FADENABLAGE	part
14	0577 350330	LEMMBLE	part
15	9203 002441	L.S R.	cyl. screw
16	0577 200014	ST PLATTE (M T P S. 7-15,17-24)	slide plate (with pos. 7-15,17-24)
17	0577 350240	NTERFAD.MESSER	part
18	0577 350250	FADEN E ER	threaded-extractor
19	0556 015843	ABSTANDSR NG	distance ring
20	0577 350220	MESSER ALTER	part
21	0420 000362	FEDERS E BE	spring disc
22	0556 013542	M TTER	nut
23	0556 013532	M TTER	nut
24	9203 313961	SEN S R.	sunk screw
25	0577 590014	BL S NE DER (22 mm) (M T P S. 28-33,42-53)	part (22 mm) (with pos. 28-33,42-53)
26	0577 590024	BL S NE DER (35 mm) (M T P S. 34-39,42-53)	part (35 mm) (with pos. 34-39,42-53)
27	0577 590034	BL S NE DER (48 mm) (M T P S. 39-53)	part (48 mm) (with pos. 39-53)
28	0576 005721	MESSER (a 6mm) (F ER P S.25)	knife (a 6mm) (for pos.25)
29	0576 005722	MESSER (a 8mm)	knife (a 8mm)

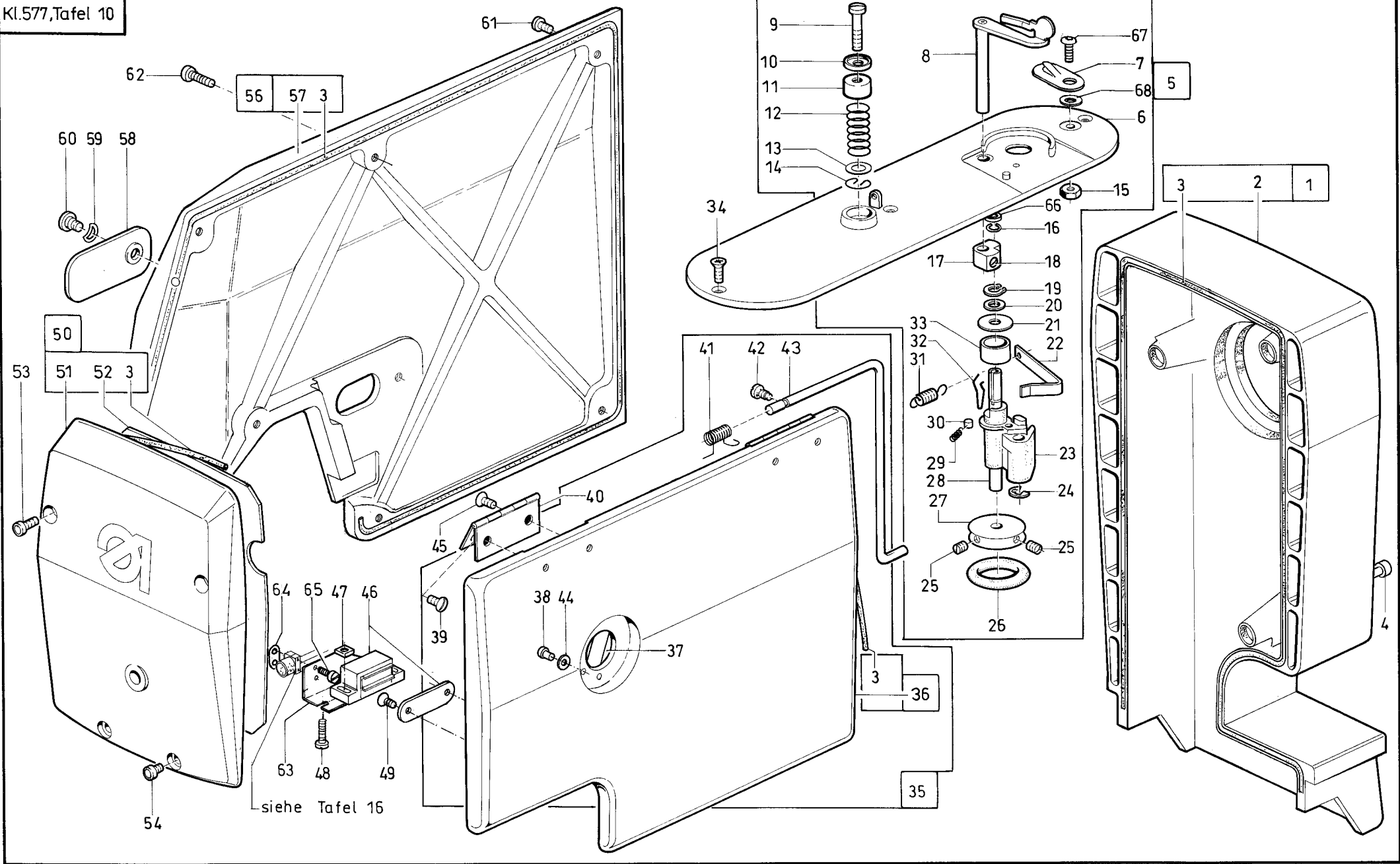
Pos.	Teile-Nr.	Benennung	Denomination
		(F ER P S.25)	(for pos.25)
30	0576 005723	MESSER (a 10mm) (F ER P S.25)	knife (a 10mm) (for pos.25)
31	0576 005724	MESSER (a 12mm) (F ER P S.25)	knife (a 12mm) (for pos.25)
32	0576 005725	MESSER (a 14mm) (F ER P S.25)	knife (a 14mm) (for pos.25)
33	0576 005726	MESSER (a 16mm) (F ER P S.25)	knife (a 16mm) (for pos.25)
34	0576 005727	MESSER (a 18mm) (F ER P S.26)	knife (a 18mm) (for pos.26)
35	0576 005728	MESSER (a 20mm) (F ER P S.26)	knife (a 20mm) (for pos.26)
36	0576 005729	MESSER (a 22mm) (F ER P S.26)	knife (a 22mm) (for pos.26)
37	0576 005730	MESSER (a 24mm) (F ER P S.26)	knife (a 24mm) (for pos.26)
38	0576 005731	MESSER (a 26mm) (F ER P S.26,27)	knife (a 26mm) (for pos.26,27)
39	0576 005732	MESSER (a 28mm) (F ER P S.26,27)	knife (a 28mm) (for pos.26,27)
40	0576 005733	MESSER (a 30mm) (F ER P S.27)	knife (a 30mm) (for pos.27)
41	0576 005734	MESSER (a 34mm) (F ER P S.27)	knife (a 34mm) (for pos.27)
42	0577 200100	LEMMB	part
43	9202 042078	L. S R.	cyl. screw
44	9081 100252	S R.DRE ER GERADE	part
45	0576 002641	PLATTE	plate
46	9202 001693	L. S R.	cyl. screw
47	0577 200110	S NE DPLATTE	part
48	0577 330130	ANS LAG	stop
49	0577 330140	RAENDELS R.	screw
50	0577 330150	ST PFEN	part
51	9205 102173	GE .ST FT	threaded pin
52	0211 000635	ARRET ERFEDER	spring
53	9217 300528	L NSENS RA BE	screw



Tafel/ Table: 009

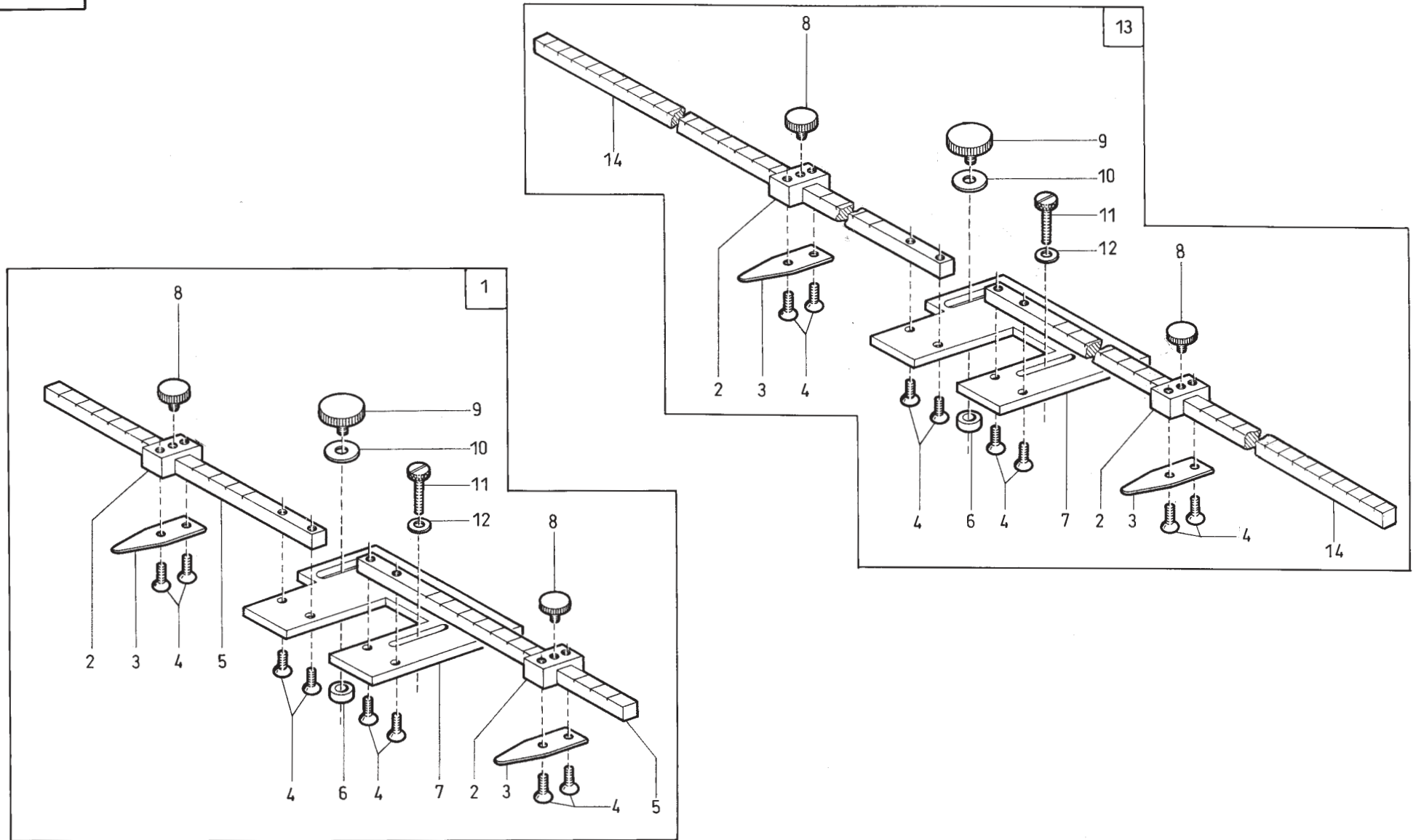
Pos.	Teile-Nr.	Benennung	Denomination
2	0556 000659	STE ERS E BE	part
3	9330 900097	S E BE	disc
4	0213 000370	L.S R.	screw
5	9330 000108	S E BE	disc
6	9231 110128	6 T.M TTER	hexagonal nut
7	0577 930020	LAS E	shackle
8	0267 000272	NADELLAGER	taper bearing
9	9202 042098	L.S R.	cyl. screw
10	1001 009148	L NSENS RA BE	screw
11	0577 930050	N EN	cam, tappet
12	0577 930013	AE LN EN	cam
14	0577 932000	R ENS E BE	disc cam
15	0556 000613	M TTER	nut
16	0577 932123	A SL ESEBLE	release plate
17	0556 000612	6 T. S RA BE	hexagonal screw
18	0577 932113	A SL ESEBLE	release plate
19	0556 000606	ALTEBLE	part
20	9330 400027	S E BE	disc
21	0556 000607	L-S RA BE	cylinder screw
22	0577 930024	LAS E (M T P S. 3,7-9,23)	part (with pos. 3,7-9,23)
23	0577 930030	E ENTER	eccentric
24	9330 000098	S E BE	disc

Pos.	Teile-Nr.	Benennung	Denomination
------	-----------	-----------	--------------



Pos.	Teile-Nr.	Benennung	Denomination
1	0577 100033	R EMENS T (M T P S. 2,3)	belt guard (with pos. 2,3)
2		S E E P S. 1)	(see pos.1)
3	0002 002037 0400	R NDS N R	bar
4	9203 003817	L.S R.	cyl. screw
5	0576 003272	SP LERDE EL (M T P S. 6-33,66-68)	part (with pos. 6-33,66-68)
6		S E E P S: 5)	(see pos. 5)
7	0271 000260	S NE D LEMME	cutting clamp
8	0577 171023	SP LER LAPPE	winder flap
9	9204 201723	L NSENS R.	screw
10	0244 000415	SPANN NGS ELSE	tension bush
11	0244 000414	SPANN ELSE	clamping slee e
12	0244 000413	DR FEDER	presser spring
13	0557 000029 A	S E BE	disc
14	0244 000411	F RMFEDER	form spring
15	9231 110057	6 T.M TTER	hexagonal nut
16	0271 000276	SPRENGR NG	spring ring
17	0216 000603	S ALT L BEN	block
18	0223 000648	GE .ST FT	stud
19	9352 000060	S .R NG	retainer ring
20	0244 000396	S E BE	disc
21	0244 000401	S E BE	disc
22	0244 000403	BLATTFEDER	leaf spring
23	0246 000466	SP LERB	winder block
24	9357 000070	S .S E BE	fastennig disc
25	9205 023658	GE .ST FT	threaded pin
26	0216 000591	FR T NSBELAG	friction lining
27	1001 003102	SP LERRAD	winder pulley
28	0576 003305	SP LERSP NDEL	winder spindle
29	0244 000400	DR FEDER	presser spring
30	0244 000399	L NDERR LLE	cylind roller
31	0244 000404	GFEDER	tensile spring
32	0271 000275	SP LENFEDER	spring
33	0244 000398	R NG	ring
34	9203 313668	SEN S R.	sunk screw
35	0576 003132	SE TENDE EL	side co er cpl.

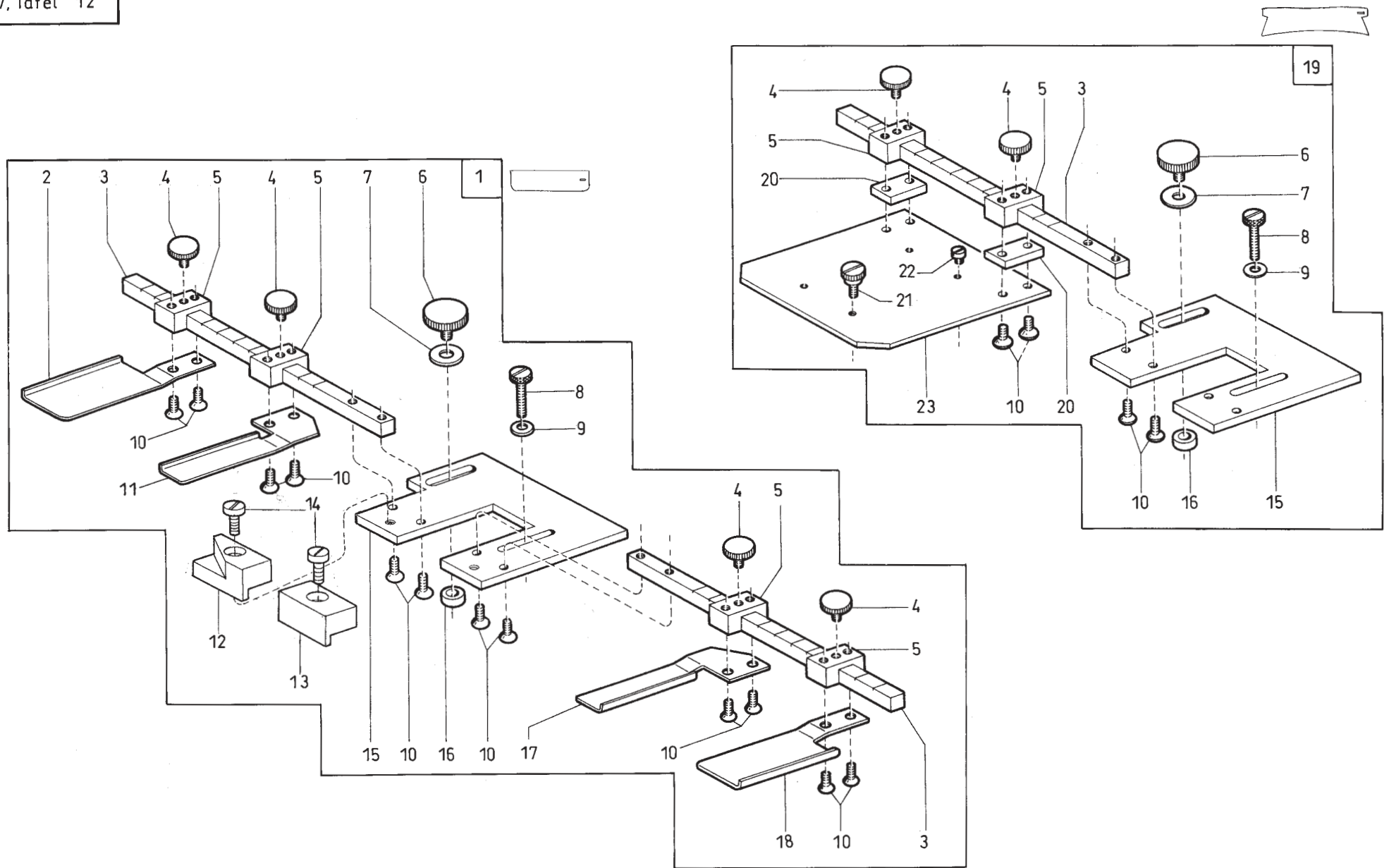
Pos.	Teile-Nr.	Benennung	Denomination
		(M T P S. 36-44)	(with pos. 36-44)
36	0576 003134	SE TENDE EL (M T P S. 3)	side co er (with pos. 3)
37	0556 001350	BLATTFEDER	leaf spring
38	0556 001351	ALBRD. B.NAGEL	slot nail
39	0219 000353	L NSENS RA BE	screw
40	0576 003148	S ARN ER	hinge
41	0576 003145	DRE FEDER	spring
42	0420 000036	S RA BE	screw
43	0576 003142	ALTESTANGE	holding bar
44	1001 009247	S E BE	disc
45	0742 055716	SEN S R.	sunk screw
46	0792 005731	MAGNET ALTER	magnet support
47	9230 010037	4 T.M TTER	nut
48	9202 001678	L.S R.	cyl. screw
49	9204 001258	SEN S R.	sunk screw
50	0576 003173	PFDE EL (M T P S. 3,51,52)	head co er (with pos. 3,51,52)
51		S E E P S. 50)	(see pos. 50)
52	0576 003175	ANT-DR E N-PL.	part
53	9202 002128	L.S R.	cyl. screw
54	9202 002388	L.S R.	cyl. screw
56	0577 100023	SE TENDE EL	side co er
57		S E E P S. 56)	(see pos. 56)
58	0576 003085	DE BLE	co er plate
59	0566 001294	FEDERS E BE	spring disc
60	0211 000582	ANSAT S RA BE	shoulder screw
61	9203 003678	L.S R.	cyl. screw
62	9203 003738	L.S R.	cyl. screw
63	0577 490030	N EL	angle
64	0227 000596	LAS E	shackle
65	9203 003098	L.S R.	cyl. Screw
66	0577 171030	D STAN R NG	part
67	0993 087028	ALBRD. S R.	screw
68	9330 900098	S E BE	disc



Tafel/ Table: 011

Pos.	Teile-Nr.	Benennung	Denomination
1	0556 002651	E NSTELL NEAL (M T P S. 2-12)	ad usting ruler cpl. (with pos. 2-12)
2	0556 002543	BR E E	bridge
3	0556 002496	E GER	pointer
4	9203 313668	SEN S R.	sunk screw
5	0556 002661	LE STE	reglet
6	N900 000577	S E BE	disc
7	0556 002658	PLATTE	plate
8	0556 002670	RAENDELS R.	knurled screw
9	9210 023698	RAENDELS R.	knurled screw
10	9330 000108	S E BE	disc
11	0566 001382	S RA BE	screw
12	9330 000088	S E BE	disc
13	0556 002652	L NEAL (M T P S. 2-4,6-12,14)	ad usting ruler cpl. (with pos.2-4,6-12,14)
14	0556 002662	LE STE	rail

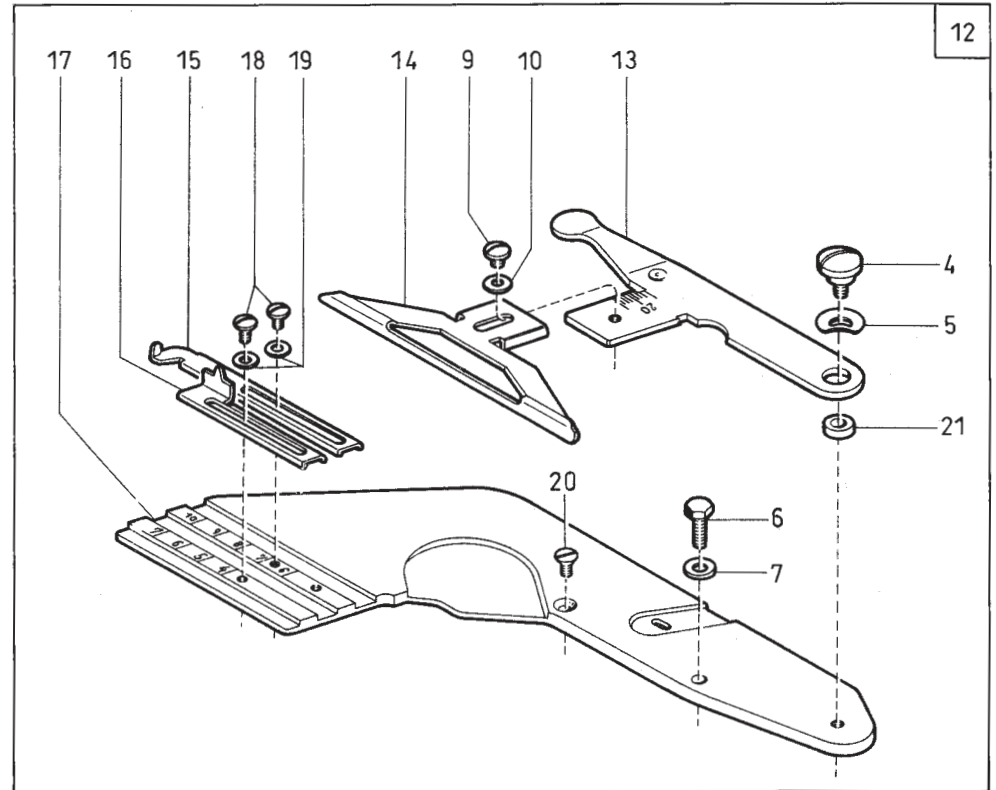
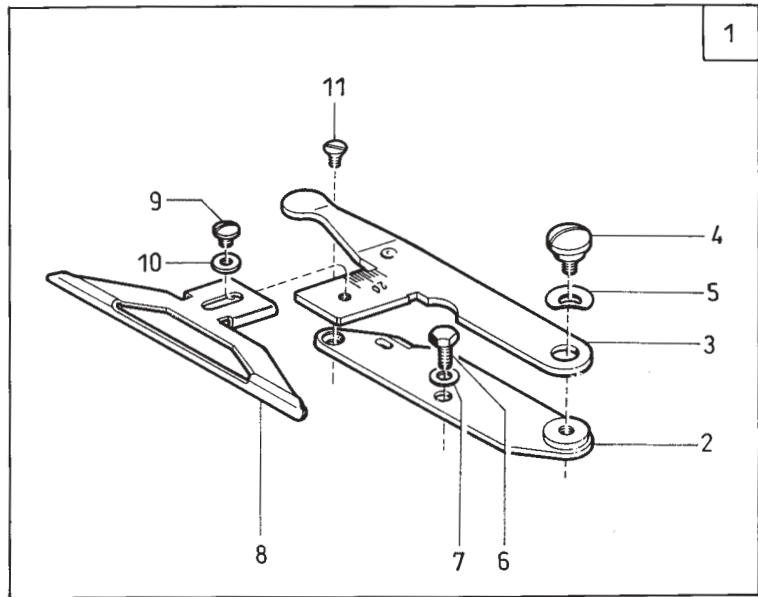
Pos.	Teile-Nr.	Benennung	Denomination
------	-----------	-----------	--------------



Tafel/ Table: 012

Pos.	Teile-Nr.	Benennung	Denomination
1	0556 002654	MANS .ANS LAG (M T P S. 2-18)	cuff stop motion de ice cpl. (with pos. 2-18)
2	0556 002633	ANS LAGBLE	stop plate
3	0556 002661	LE STE	reglet
4	0556 002670	RAENDELS R.	knurled screw
5	0556 002543	BR E E	bridge
6	9210 023698	RAENDELS R.	knurled screw
7	9330 000108	S E BE	disc
8	0566 001382	S RA BE	screw
9	9330 000088	S E BE	disc
10	9203 313668	SEN S R.	sunk screw
11	0556 002635	ANS LAGBLE	stop plate
12	0556 002672	ANS LAG L.	stop l.
13	0556 002671	ANS LAG RE.	stop r.
14	0216 000098	L.S R.	screw
15	0556 002658	PLATTE	plate
16	N900 000577	S E BE	disc
17	0556 002634	ANS LAGBLE	stop plate
18	0556 002632	ANS LAGBLE	stop plate
19	0556 002656	RAG.ANS LAG (M T P S. 3-10,15,16,20-23)	collar stop motion de ice cpl. (with pos. 3-10,15,16,20-23)
20	0556 002666	PLATTE	plate
21	0217 000849	RAENDELS R.	screw
22	0931 002492	APFENS RA BE	screw
23	0556 002665	PLATTE	plate

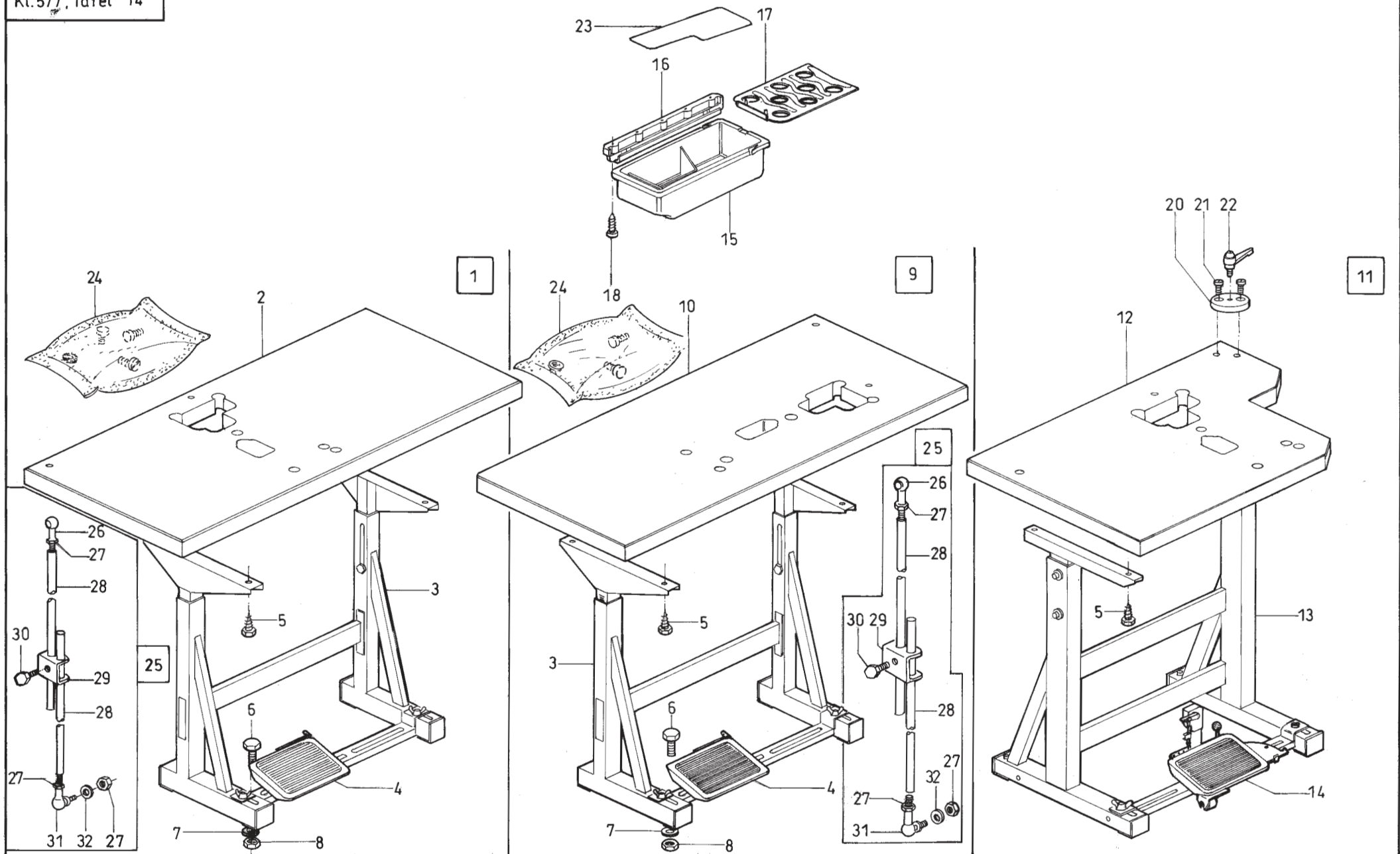
Pos.	Teile-Nr.	Benennung	Denomination
------	-----------	-----------	--------------



Tafel/ Table: 013

Pos.	Teile-Nr.	Benennung	Denomination
1	0556 002581	ANS LAG (M T P S. 2-11)	stop (with pos. 2-11)
2	0556 002582	GR NDPLATTE	base plate
3	0556 002585	EBEL	le el
4	0556 002588	BEF. S RA BE	screw
5	0216 000425	FEDERS E BE	spring washer
6	9201 012471	6 T. S R.	screw
7	9330 000088	S E BE	disc
8	0556 002591	ST FFANS LAG	cloth stop
9	0902 000423	L NSENS R.	fillister head screw
10	9330 000098	S E BE	disc
11	9203 313658	SEN S R.	countersunk screw
12	0556 002741	ANS LAG (M T P S. 4-7,9,10,13-21)	stop cpl. (wit pos. 4-7,9,10,13-21)
13	0556 002585	EBEL	le el
14	0556 002591	ST FFANS LAG	cloth stop
15	0556 002572	ANS LAG	stop
16	0556 002573	ANS LAG	stop
17	0556 002742	GR NDPLATTE	base plate
18	0911 000339	FL. RD. S R.	screw
19	0570 000975	S E BE	disc
20	9203 313658	SEN S R.	screw
21	0556 002754	B SE	bushing

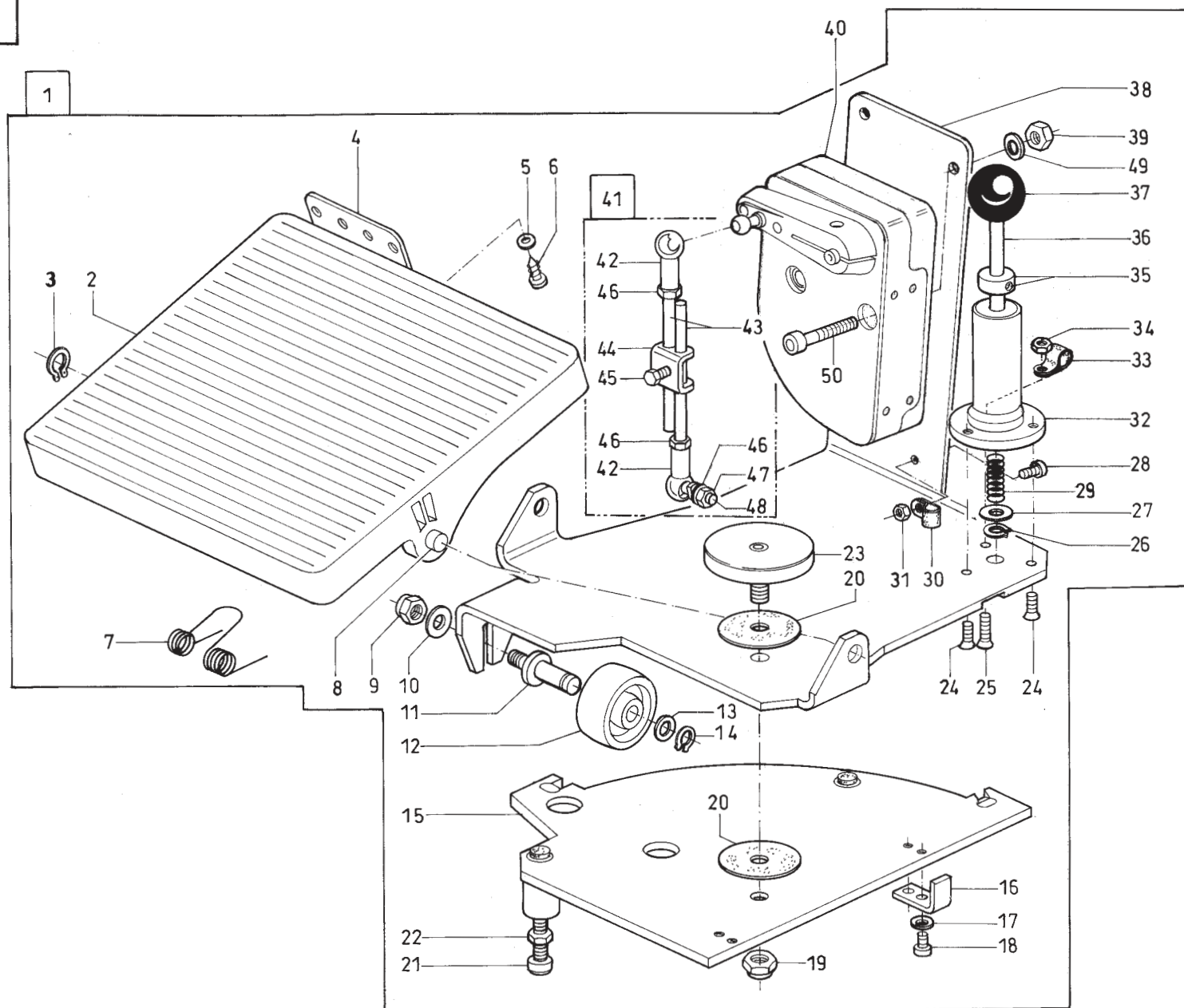
Pos.	Teile-Nr.	Benennung	Denomination
------	-----------	-----------	--------------



Tafel/ Table: 014

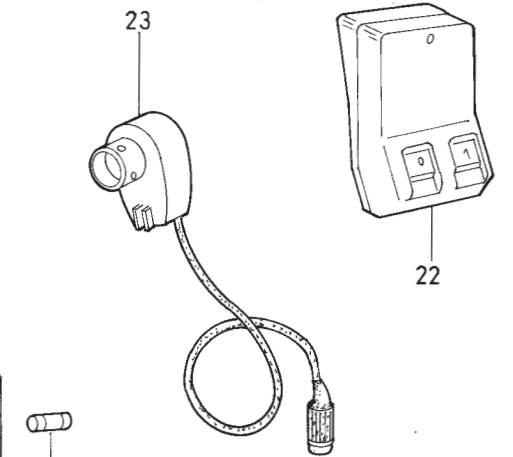
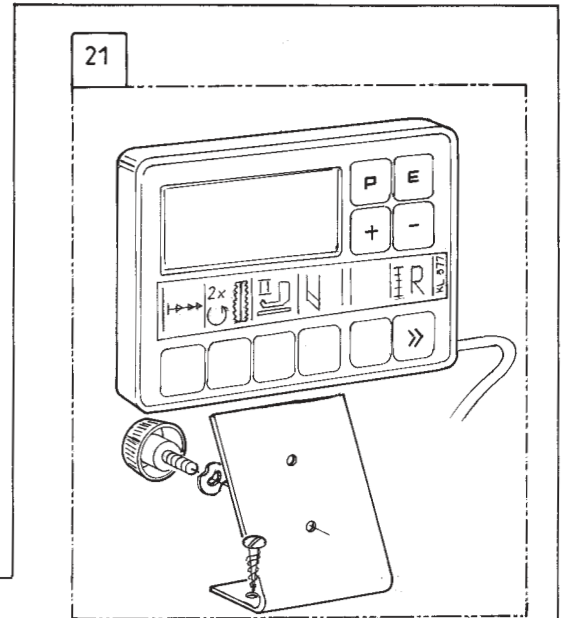
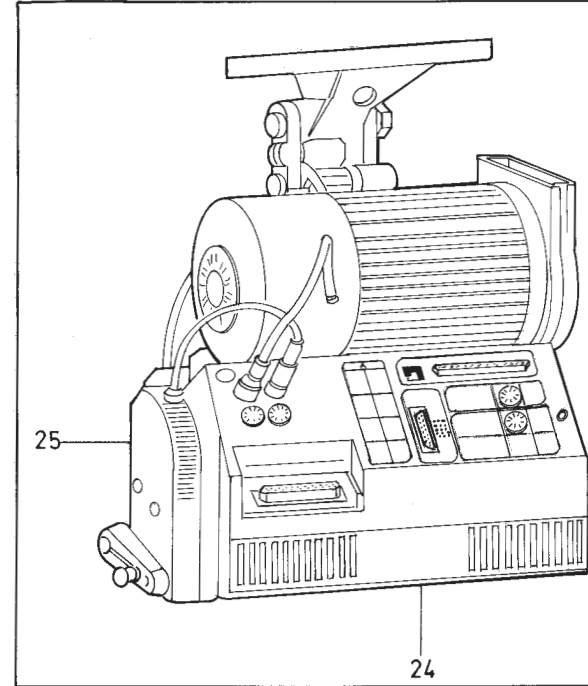
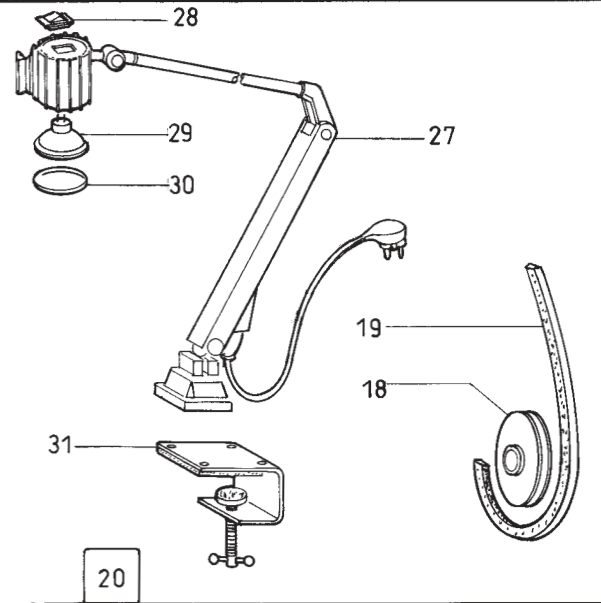
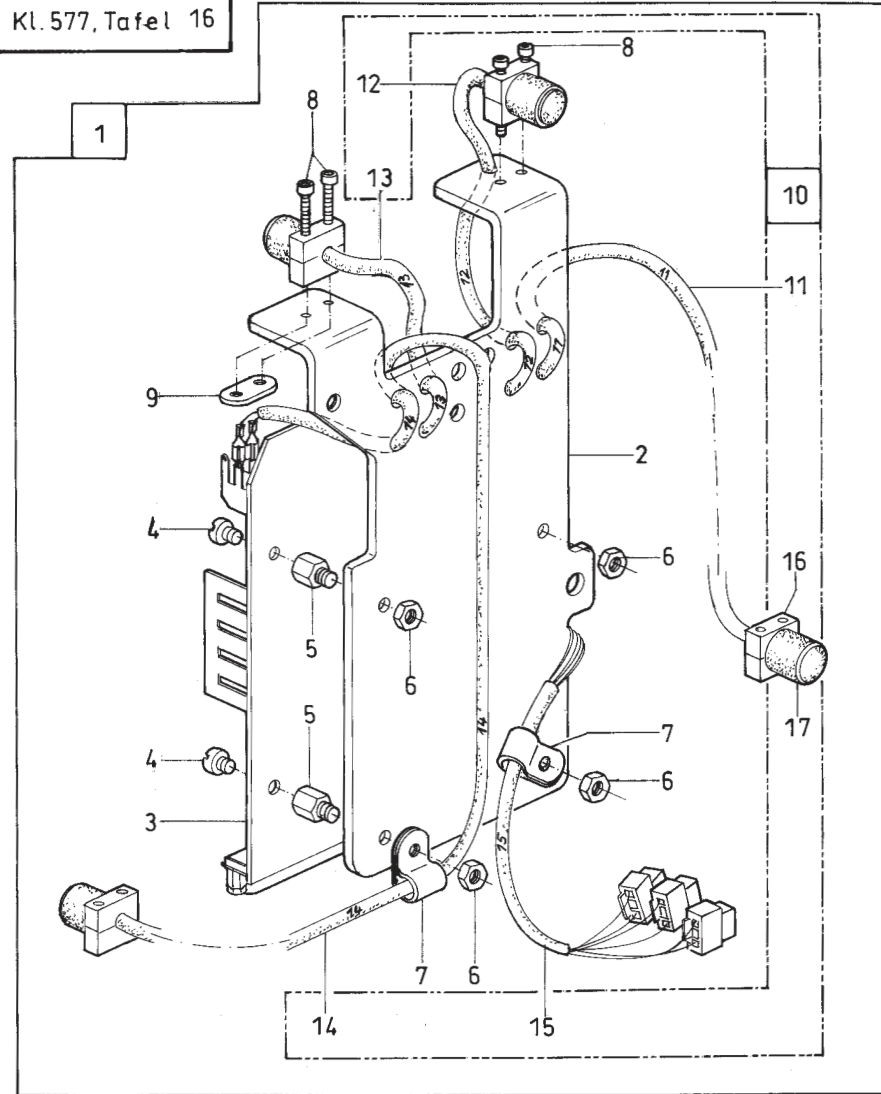
Pos.	Teile-Nr.	Benennung	Denomination
1	MG55 400114	GESTELL . (M T P S. 2-8,15-18,23-25)	stand cpl. (with pos. 2-8,15-18,23-25)
2	0700 002441	T S PLATTE	table plate
3	MG55 000501	GESTELL .	stand cpl.
4	MG53 002501	PEDAL	pedal cpl.
5	9206 200097	6 T.BLE S R.	tin metal screw
6	9201 113697	6 T.S R.	screw
7	9330 900127	S E BE	disc
8	9231 110137	6 T.M TTER	nut
9	MG55 400134	GESTELL (M T P S. 3-8,10,15-18,23)	stand cpl. (with pos. 3-8,10,15-18,23)
10	0700 002443	T S PLATTE	table plate
11	MG58 400044	GESTELL (M T P S. 5,12-18)	stand cpl. (with pos. 5,12-18)
12	0700 057602	T S PLATTE	table plate
13	MG58 000501	GESTELL	stand cpl.
14	MG43 010202	PEDAL	pedal cpl.
15	0700 000043	S B ASTEN	drawer
16	0700 000044	F E R NGSLE STE	reglet
17	0700 000045	PLATTE	plate
18	0713 000302	SPANNPL.S R.	screw
20	0577 490200	S EL	socle
21	9203 003997	L.S R	cyl. screw
22	9401 210010	LEMM EBEL	clamping le er
23	0700 000050	E NLAGE	part
24	MG55 007921	BEFEST. TE LE	part
25	MG43 000401	GESTAENGE (M T P S.26-32)	rod (with pos. 26-32)
26	9357 200106	GELPFANNE	part
27	9231 110127	6 T.M TTER	hexagonal nut
28	MG43 000402	STANGE	bar
29	MG43 000403	LEMME	clamp
30	9201 250027	6 T.S R.	hexagonal screw
31	9357 200056	GEL APFEN	part
32	MG43 002510	S E BE	disc

Pos.	Teile-Nr.	Benennung	Denomination
------	-----------	-----------	--------------



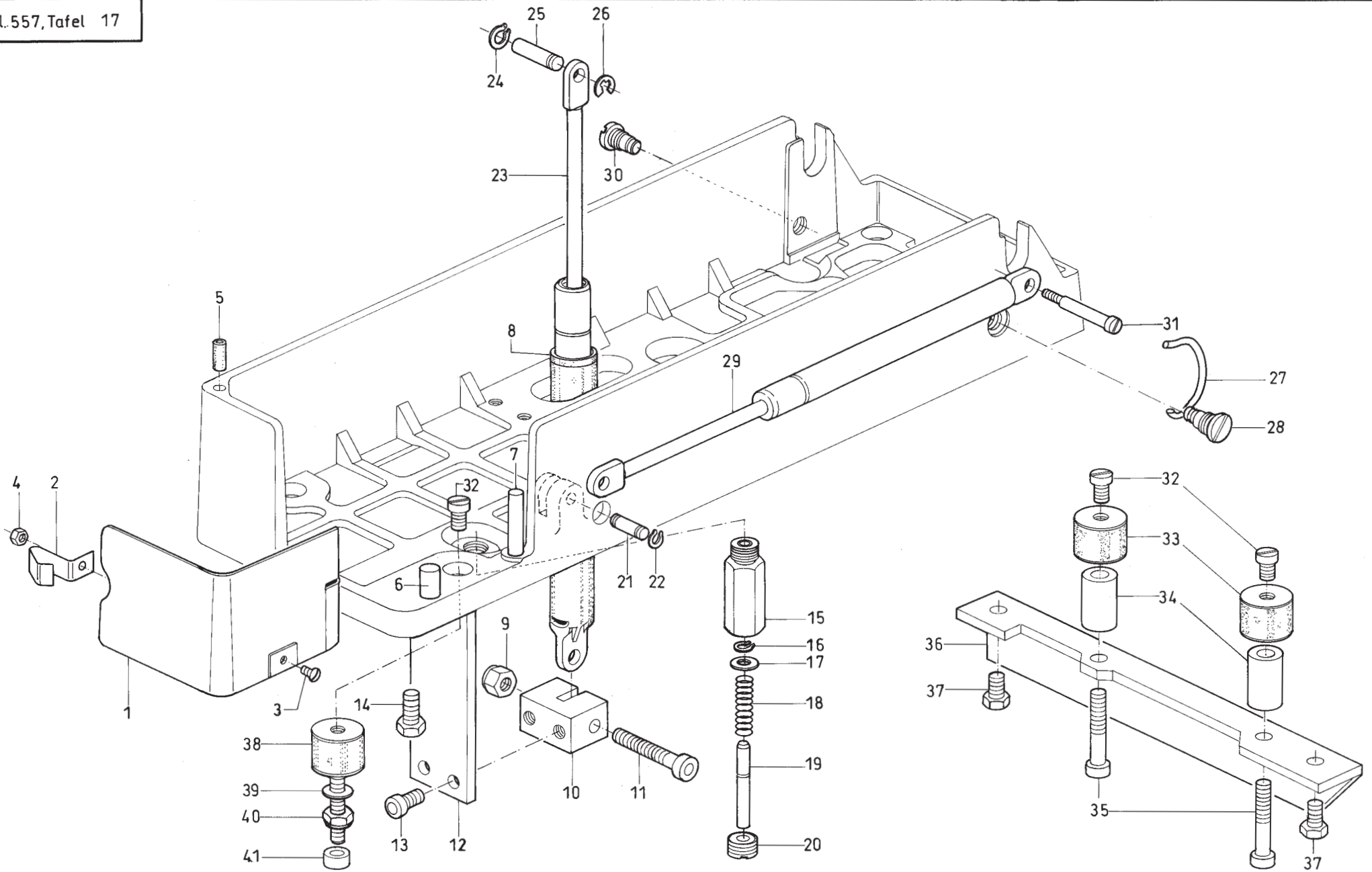
Pos.	Teile-Nr.	Benennung	Denomination
1	MG43 010202	PEDAL (M T P S. 2-50)	pedal clip. (with pos. 2-50)
2	MG43 002502	F SSTR TTPLATTE	part
3	MG43 002507	GRE FR NG	grip ring
4	MG43 002508	BEF. N EL	fastening angle
5	9330 000107	S E BE	disc
6	MG43 002509	L . BLE S R.	tin metal csrew
7	MG41 001171	F RMFEDER	torsion spring
8	MG43 002506	ELLE	shaft
9	9234 000107	6 T. M TTER SELBSTS	hexagonal nut
10	9330 000127	S E BE	disc
11	MG43 010232	B L EN	bolt
12	0746 010661	LA FR LLE	roll
13	9330 000137	S E BE	disc
14	9352 000100	S . R NG	circlip
15	MG43 010204	PLATTE	plate
16	MG43 010212	N EL	angle
17	9330 000097	S E BE	disc
18	9204 201968	L NSENS R M5 10	fillister head screw
19	9234 000117	6 T. M TTER	hexagonal nut
20	MG50 002457	S E BE	disc
21	0746 001416	S RA BE	screw
22	9231 110137	6 T. M TTER	hexagonal nut
23	MG43 010257	DE EL	co ering part
24	0798 122268	SEN S R.	screw
25	0570 002382	SEN S R.	screw
26	0212 004841	S . R NG	circlip
27	9330 000127	S E BE	disc
28	9202 042087	L.S R.	cyl. screw
29	116 003033	DR FEDER	pressure spring
30	9840 120026	BEF. S ELLE	cable clip
31	9234 000067	6 T. M TTER	hexagonal nut
32	MG43 010242	F E R. B SE	guide bush
33	0798 120213	BEF.S ELLE	cable clip
34	9234 000077	6 T. M TTER	hexagonal nut
35	0996 120407	STELLR NG	set collar
36	MG43 010249	STANGE	rod

Pos.	Teile-Nr.	Benennung	Denomination
37	0996 131370	GEL N PF	spherical button
38	MG43 010231	PLATTE	plate
39	9231 110127	6 T.M TTER	hexagonal nut
40	9800 330008	E T. BETAET G NG	part
41	126 000151	GESTAENGE (M T P S. 42-48)	rods cpl. (with pos. 42-48)
42	9357 200106	GELPFANNE	ball socket
43	126 000152	STANGE	rod
44	MG43 000403	LEMME	clamp
45	9201 250027	6 T. S R.	screw
46	MG43 002510	S E BE	disc
47	9231 110127	6 T. M TTER	hexagonal nut
48	9357 200056	GEL APFEN	part
49	9330 000107	S E BE	disc
50	9202 042967	L. S R.	cyl. screw



Pos.	Teile-Nr.	Benennung	Denomination
1	9870 577003	ERTE LER (M T P S. 2-10)	distributor cpl. (with pos. 2-10)
2	0577 490100	PLATTE	plate
3	9850 577001	LE TERPLATTE	printed circuit board
4	9203 003627	L S R.	cyl. screw
5	0999 202637	D STAN B L EN	bolt
6	9231 110057	6 T.M TTER	hexagonal nut
7	9840 120026	BEF.S ELLE	clamp
8	9203 003118	L S R.	cyl. screw
9	0227 000596	LAS E	shackle
10	9870 577001	LE T NGSSAT (M T P S.11-17)	part (with pos.11-17)
11		L 011 (S E E P S.10)	cable L011 (see pos.10)
12		L 012 (S E E P S.10)	cable L012 (see pos.10)
13		L 013 (S E E P S.10)	cable L013 (see pos.10)
14		L 014 (S E E P S.10)	cable L014 (see pos.10)
15		L 015 (S E E P S.10)	cable L015 (see pos.10)
16	0798 424203	LEMMST E	clamp piece
17	9815 710002	ND T GEBER	proximityswitch
18	9130 500020	E LR.S E BE 63mm	wedge-shap. be. di. 63mm
19	9130 104030	E LR EMEN 10x710	-belt
20	9800 130013 R	NAE ANTR EB (M T P S. 21-26)	motor (with pos. 21-26)
21	9800 330009	BED ENFELD	contr panel
22	9800 330002	S ALTER, NET	switch
23	0990 254306	P S T NSGEBER	synchroni er
24	9800 331012	STE ER ASTEN	control box
25	9800 330008	E T.BETAET G NG	part
26	9825 810319	S ER NG M8/250E	part
26	810412	S ER NG T1,25/250G	part
27	9822 510000	NAE LE TE (M T P S.28-30)	sewing lamp (with pos.28-30)

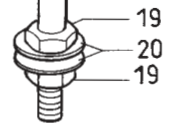
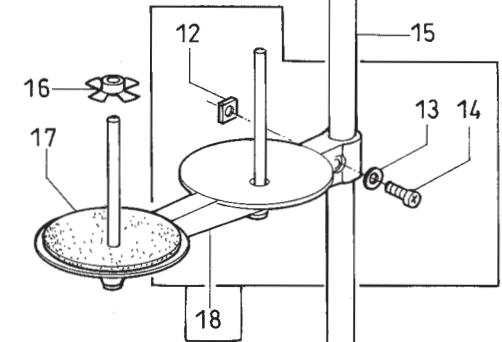
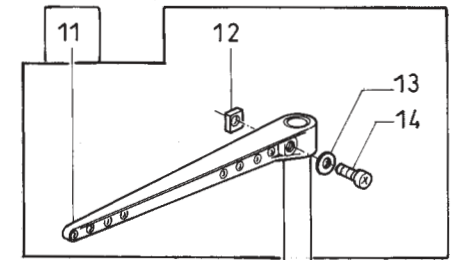
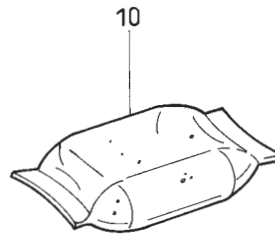
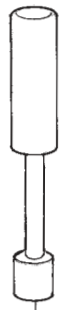
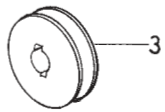
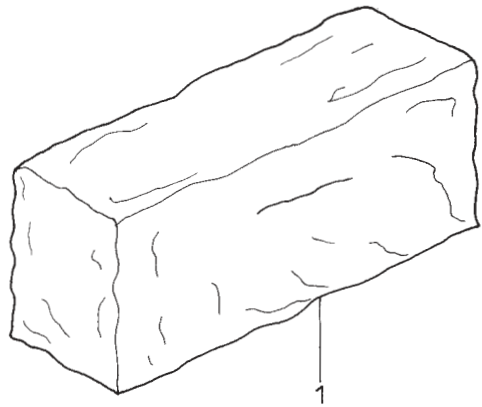
Pos.	Teile-Nr.	Benennung	Denomination
28	0075 049500	PPS ALTER	part
29	9822 642024	ERSAT LAMPE	part
30	9822 510012	GLASS E BE	part
31	9822 510011	T S LEMME	part



Tafel/ Table: 017

Pos.	Teile-Nr.	Benennung	Denomination
1	0576 005497	LAPPE	flap
2	0556 001800	ALTEFEDER	reating spring
3	1001 009130	L NSENS RA BE	screw
4	9231 110058	6 T. M TTER	hexagonal nut
5	0576 005495	B SE	bushing
6	0556 001802	RAENDELST FT	pin
7	0556 001803	RAENDELST FT	pin
8	0576 005523	EBERR R	supporting tube
9	9234 000107	6 T. M TTER	hexagonal nut
10	0576 005526	L BEN	block
11	9202 003367	L. S R.	cyl.screw
12	0576 005525	N EL	angle
13	9202 003297	L.S R.	cyl. screw
14	9201 113697	6 T. S R.	hexagonal screw
15	0576 005564	B SE	bushing
16	9352 000060	S .R NG	bushing
17	MG43 002510	S E BE	disc
18	0556 001277	DR FEDER	pressure spring
19	0576 005568	B L EN	bolt
20	0576 005577	ST PFEN	plug
21	0576 005529	ST FT	pin
22	9352 000060	S .R NG	circlip
23	0576 005521	GASFEDER	pneumatic spring
24	9352 600138	GRE FR NG	grip ring
25	0576 005528	ANSAT B L EN	bolt
26	0212 004841	S .R NG	lock washer
27	0556 001702	LEMMFEDER	clamping spring
28	0556 001701	L.S R.	cyl. screw
29	0576 005522	GASFEDER	pneumatic spring
30	0576 005536	L.S R.	cyl.screw
31	0576 005534	ANSAT S RA BE	screw
32	9203 004568	L.S R.	cyl. csrew
33	0570 001197	G MM P FFER	buffer
34	0576 005540	B SE	bushing
35	9202 003347	L.S R.	cyl. screw
36	0576 005539	N EL	angle
37	9201 113737	6 T. S R.	screw

Pos.	Teile-Nr.	Benennung	Denomination
38	0576 005551	S NGM. L.	rubber metal buffer
39	9330 300027	S E BE	disc
40	9234 000107	6 T. M TTER	hexagonal nut
41	9050 050001	S T APPE	part



Tafel/ Table: 018

Pos.	Teile-Nr.	Benennung	Denomination
1	0104 250010	A BE	co er
3	0576 003338	SP LE	bobbin
4	9081 500010	S RA BENDRE ER	screw dri er
5	0558 001710	STE S L ESSEL	socket wrench
6	0990 490128	P N ETTE	forceps
7	0556 002248	DRA TP NSEL	brush
8	0052 000369	EL ANNE	oil can
9	0791 000007	S RA BENDRE ER	screw dri er
10	0211 000699	EL SSEN	oil pillow
11	0791 001096	FADENF E R NG . (M T P S. 12-14)	thread guide cpl. (with pos. 12-14)
12	0791 001095	4 T. M TTER	square nut
13	0791 001093 A	S E BE	disc
14	9204 202038	L NSENS RA BE	screw
15	0791 001081	GARNST. R R	thread unwinder tube
16	0077 110230	ENTR ERST E	centering piece
17	0077 110220	A FLAGE	supporting piece
18	0791 001091	GARN ALTEARM . (M T P S. 12-14)	thread reel holder cpl. (with pos. 12-14)
19	0995 340617	6 T. M TTER	hexagonal nut
20	9330 000177	S E BE	disc
21	0APP 000055	S RA BENDRE ER	screw dri er
22	0576 005531	ABSTE ST FT	part

Pos.	Teile-Nr.	Benennung	Denomination
------	-----------	-----------	--------------

Teile-Nr.	Tafel	Teile-Nr.	Tafel	Teile-Nr.	Tafel	Teile-Nr.	Tafel
0002 008308 3325	001	0219 000353	010	0420 000036	010	0556 000613	009
0002 008930 0090	001, 005, 007	0223 000245	004, 006, 007	0420 000084	001, 003	0556 000618	004
0021 000154	003	0223 000448	005	0420 000362	001, 008	0556 000622	004
0052 000369	018	0223 000646	001	0531 000464	003	0556 000626	004
0055 000400	003	0223 000648	001, 002, 004, 010	0531 000471	004	0556 000627	004
0061 001050	003	0223 000669	001	0541 001395	001, 002	0556 000637	004
0077 110220	018	0227 000596	003, 010, 016	0556 000055	001	0556 000640	004
0077 110230	018	0244 000396	010	0556 000071 M1	001	0556 000645	004
0104 250010	018	0244 000398	010	0556 000073	001	0556 000659	009
0147 000203	003	0244 000399	010	0556 000088	001	0556 000660	004
0204 000339	006	0244 000400	010	0556 000103	001	0556 000746	001, 003
0204 000340	006	0244 000401	010	0556 000107	001	0556 000759	003
0211 000007	001	0244 000403	010	0556 000110	001	0556 000894	002
0211 000013	001, 004, 007	0244 000404	010	0556 000115	001	0556 000933	003
0211 000085	005	0244 000411	010	0556 000141	001	0556 000946	003
0211 000088	001	0244 000413	010	0556 000148	001	0556 000954	003
0211 000162	004	0244 000414	003, 010	0556 000150	001	0556 001132	004
0211 000249	004	0244 000415	003, 010	0556 000211	004	0556 001277	017
0211 000305 A	001	0246 000466	010	0556 000252	001	0556 001521	006
0211 000395	004	0252 000373	006	0556 000255	001	0556 001525	006
0211 000398	001	0265 000106 M4	001	0556 000440	002	0556 001535	006
0211 000482	003	0265 000136	001	0556 000445	002	0556 001571	007
0211 000582	010	0265 000138	001	0556 000456	004	0556 001581	007
0211 000635	008	0265 000736	004	0556 000457	004	0556 001687	008
0211 000699	018	0265 000751	007	0556 000561 A	004	0556 001701	017
0211 000806	007	0265 000753	007	0556 000562 A	004	0556 001702	017
0211 000919	006	0265 000911	001	0556 000566	004	0556 001800	017
0211 003028	004	0270 000263	002	0556 000567	004	0556 001802	017
0211 008285	007	0271 000260	010	0556 000569	004	0556 001803	017
0211 050214	003	0271 000275	010	0556 000578	004	0556 002543	011, 012
0212 004841	002, 015, 017	0271 000276	010	0556 000579	004	0556 002572	013
0213 000370	001, 005, 009	0271 000756	006	0556 000586	004	0556 002573	013
0216 000098	012	0271 001397	003	0556 000587	004	0556 002581	013
0216 000199	004	0271 001398	003	0556 000594	004	0556 002591	013
0216 000591	010	0272 000143	001, 002	0556 000599	004	0556 002632	012
0216 000603	010	0291 000347	002, 006	0556 000606	009	0556 002633	012
0217 000849	012	0292 000727	001	0556 000612	009	0556 002651	011

Teile-Nr.	Tafel	Teile-Nr.	Tafel	Teile-Nr.	Tafel	Teile-Nr.	Tafel
0556 002652	011	0570 001197	017	0576 005732	008	0577 350030	002
0556 002654	012	0570 002382	015	0576 005733	008	0577 350050	002
0556 002656	012	0570 002383	001, 007	0576 005734	008	0577 350074	002
0556 002661	011, 012	0570 010007	001	0576 006047	002	0577 350080	002
0556 002662	011	0570 050039	002	0576 006051	002	0577 350090	002
0556 002666	012	0570 092916	008	0577 100054	001	0577 350124	002
0556 002670	011, 012	0576 000084	001	0577 100093	003	0577 350130	002
0556 002741	013	0576 000501	001	0577 100200	003	0577 350160	005
0556 003082 A	007	0576 000744	001	0577 120014	001	0577 350173	005
0556 003087	007	0576 001107	002	0577 120054	001	0577 350180	005
0556 003088	007	0576 001339	002	0577 130030	004	0577 350213	008
0556 005031	006	0576 001677	004	0577 130070	002	0577 350220	008
0556 005040	003, 006	0576 001693	004	0577 130163	005	0577 350230	008
0556 005051	006	0576 002225	003	0577 130190	005	0577 350240	008
0556 005055	006	0576 002257	003	0577 130200	005	0577 350250	008
0556 005056	006	0576 002261	003	0577 130210	004	0577 350260	005
0556 005074	006	0576 002276	003	0577 140104	006	0577 350270	005
0556 007354	003	0576 002641	008	0577 140174	007	0577 350280	005
0556 007371	003	0576 003272	010	0577 140184	007	0577 350290	005
0556 013153	003	0576 003338	006, 018	0577 150010	006	0577 350300	005
0556 013532	008	0576 005521	017	0577 150014	006	0577 350310	005
0556 013542	008	0576 005522	017	0577 150020	006	0577 350320	008
0556 014204	002	0576 005523	017	0577 150044	006	0577 350330	008
0556 014984	001	0576 005529	017	0577 150064	006	0577 350340	005
0556 014987	003	0576 005534	017	0577 150070	006	0577 350360	005
0556 014999	002	0576 005536	017	0577 171023	010	0577 350370	005
0556 015012	003	0576 005721	008	0577 200020	008	0577 590014	008
0556 015843	008	0576 005722	008	0577 200100	008	0577 590024	008
0556 016459	003	0576 005723	008	0577 200110	008	0577 590034	008
0557 000029 A	010	0576 005724	008	0577 330010	002	0577 930050	009
0557 002301	001	0576 005725	008	0577 330040	002	0577 932000	009
0558 000305 A	003, 006	0576 005726	008	0577 330084	002	0577 932113	009
0558 001710	018	0576 005727	008	0577 330090	002	0650 000072	004
0566 001382	011, 012	0576 005728	008	0577 330100	002	0699 979265	005
0570 000497	004	0576 005729	008	0577 330130	008	0699 979965	007
0570 000975	003, 013	0576 005730	008	0577 330140	008	0700 000043	014
0570 001174	001	0576 005731	008	0577 330150	008	0700 000044	014

Teile-Nr.	Tafel	Teile-Nr.	Tafel	Teile-Nr.	Tafel	Teile-Nr.	Tafel
0700 000045	014	0990 490128	018	9201 100001	003	9203 003627	016
0700 002441	014	0995 340617	018	9201 112447	002	9203 003648	003, 007, 008
0700 002443	014	0996 131370	015	9201 112938	005	9203 003657	005
0700 057602	014	0998 880580	002	9201 113268	004	9203 003662	005
0702 000020	001, 002	0998 880610	005	9201 113317	002	9203 003668	002
0713 000302	014	0998 881010	002	9201 113737	017	9203 003678	003, 010
0739 000347	007	0999 240303	007	9201 250027	014, 015	9203 003701	005
0742 002096	007	0999 240341	007	9202 001678	010	9203 003948	004
0742 055716	010	0999 240392	005, 007	9202 002063	001, 002, 005	9203 003997	002, 014
0744 001115	007	0999 240394	003, 005	9202 002073	002	9203 004261	002
0744 001793 A	007	0APP 000055	018	9202 002093	002	9203 113721	001
0744 001793 B	007	1001 001153	008	9202 002128	002, 010	9203 311831	006
0744 001819	007	1001 009108	001	9202 002388	002, 010	9203 313658	013
0746 001416	015	1001 009123	003	9202 002467	004	9203 313668	010, 011, 012
0746 010661	015	1001 009129	001	9202 002493	005	9203 313961	008
0791 000007	018	1001 009130	017	9202 002498	001	9203 314257	004
0791 001081	018	1001 009148	009	9202 002513	002	9204 001258	010
0791 001091	018	1001 009247	010	9202 002528	006	9204 201648	001, 002, 003
0791 001093 A	001, 018	1005 009201	001	9202 002903	001	9204 201658	001, 004, 006, 007
0791 001095	018	9041 100015	005	9202 002927	007	9204 201723	010
0791 001096	018	9041 100025	004	9202 003177	005	9204 201958	002
0792 005731	010	9041 100030	001, 002, 004	9202 003178	004	9204 201968	015
0797 001038	003	9041 100035	001, 006, 007	9202 003297	017	9204 202038	018
0797 003031	007	9041 100040	007	9202 003367	017	9205 023658	003, 010
0798 122268	015	9041 100050	007	9202 042078	008	9205 101918	002
0798 424203	016	9041 100203	001, 006	9202 042087	004, 015	9205 101938	002
0902 000140	002	9050 050001	007, 017	9202 042098	009	9205 102158	004
0902 000423	013	9081 100252	008	9202 042328	002	9205 102238	002
0902 000446	005	9081 500010	018	9202 042888	002	9205 102488	001
0902 000514	003	9120 030102	006	9203 002421	001	9205 102783	001
0902 000602	001	9120 030152	006	9203 002441	008	9206 200097	014
0911 000040	006	9120 030300	001	9203 003028	006	9217 300528	008
0911 000136	004	9129 016050	001	9203 003032	002	9231 000368	002
0911 000150	007	9130 104030	016	9203 003037	002	9231 110038	003
0911 000290	001	9130 220010	006	9203 003098	003, 010	9231 110057	010, 016
0911 000339	013	9130 221100	001	9203 003118	003, 016	9231 110058	002, 005, 007, 017
0990 254306	016	9130 500020	016	9203 003621	003	9231 110108	003

Teile-Nr.	Tafel	Teile-Nr.	Tafel	Teile-Nr.	Tafel	Teile-Nr.	Tafel
9231 110127	014, 015	9710 061201	005				
9231 110128	009	9710 061202	005				
9231 110137	014, 015	9710 900013	005				
9234 000067	015	9710 920012	005				
9234 000107	015, 017	9731 002001	007				
9330 000068	003	9731 005004	002, 003, 005				
9330 000088	002, 003, 004, 006, 011, 012, 013	9731 006004	005, 007				
9330 000097	015	9780 000108	007				
9330 000098	009, 013	9781 000002	007				
9330 000107	015	9790 000220	005				
9330 000108	004, 009, 011, 012	9790 201000	002, 003				
9330 000127	004, 015	9790 201001	005				
9330 000137	015	9792 001030	005				
9330 000167	007	9800 130013 R	016				
9330 000177	018	9800 330002	016				
9330 200098	002, 003	9800 330009	016				
9330 300027	017	9815 710002	016				
9330 400027	009	9822 510000	016				
9330 900097	009	9822 510011	016				
9330 900127	014	9822 510012	016				
9334 002638	002, 005	9822 642024	016				
9352 000050	005	9825 810319	016				
9352 000060	002, 010, 017	9840 120026	005, 015, 016				
9352 000100	005, 006, 015	9850 577001	016				
9352 000150	006	MG41 001171	015				
9352 600138	017	MG43 000401	014				
9353 000198	006	MG43 002502	015				
9357 000040	003	MG43 002506	015				
9357 000050	002, 003	MG43 002507	015				
9357 000060	003	MG43 002508	015				
9357 000070	010	MG43 002509	015				
9357 000110	004	MG43 002510	014, 015, 017				
9357 200056	014, 015	MG53 002501	014				
9357 200106	014, 015	MG53 007921	007				
9700 101100	003	MG53 007922	007				
9700 212018	002	MG58 000501	014				
9700 212019	005						



Einrichtungen der Equipments of 577 - 1111

Kurvenscheibe für Längsvorschub Control cam for longitudinal feed 577 932000

Steuerscheibe f. Überstich Control cam for the stitch throw 556 000659

Doppelstepstich - Knopflochautomat mit Ober- und Untertransport zum Nähen von Knopflöchern mit zwei geraden Riegeln / Double-lockstitch-buttonhole-automat with upper and lower feed for sewing buttonholes with two straight tacks.

Max. Nählänge 48 mm, je nach Einrichtung
Max. sewing length 48 mm, depending on

Max. Schnittlänge 38 mm, je nach Einrichtung
Max. cut length 38 mm, depending on the

E-Nr. E-No.	Max. Riegelbreite Max. bartack width mm	Stichplatten-einsatz / Stichlochgröße Throat plate insert / Stitch hole size mm	Stoffdrückerkorb, kpl. Fabric presser basket complete		Max. Nählänge Max. sewing length mm	Gegenmesser in Stichplatte Counter-knife in throat plate	Kunststoff-schneidplatte in Stichplatte Plastic cutting plate in throat plate 4)	Nadel-system / Dicke Needle system / size	Transport-schieber Slider	Wechselräder Change gears Teile-Nr. Zähnezah Part-No. Number of teeth	Stichzahl pro Knopfloch Number of stitches per buttonhole	Messer Knife		Messerhalter Knife holder	Messerwinkel Knife angle	Verwendung Use and remark	
			Größe Size mm	Teile-Nr. Part-no. 5)								Schnittlänge Cut mm	Part-No. length				
E113/22	3	577 200030 1,5 x 4,5	3 x 22 gezahnt	577 220324	22	—	577 200110	265SES/80	577 210300	556 000769 556 000798	25 54	91/(261)	576 005701 576 005702	6 8	576 006051	576 006047	Für Blusen u. Oberhemden For blouses and shirts
										556 000774 556 000793	30 49	120/(320)	576 005703 576 005704	10 12			
										556 000778 556 000789	34 45	149/(451)	576 005705 576 005706	14 16			
E114/22	4	577 200040 1,5 x 5,5	4 x 22 gezahnt	577 220424	22	—	577 200110	265SES/80	577 210400	556 000769 556 000798	25 54	91/(261)	576 005701 576 005702	6 8	576 006051	576 006047	Für Blusen u. Oberhemden For blouses and shirts
										556 000774 556 000793	30 49	120/(320)	576 005703 576 005704	10 12			
										556 000778 556 000789	34 45	149/(451)	576 005705 576 005706	14 16			
E114/35	4	577 200040 1,5 x 5,5	4 x 35 gezahnt	577 220444	35	—	577 200110	265SES/80	577 210400	556 000775 556 000792	31 48	127/223	576 005707 576 005708	18 20	576 006051	576 006047	Für Blusen u. Oberhemden For blouses and shirts
										556 000778 556 000789	34 45	149/261	576 005709 576 005710	22 24			
										556 000781 556 000786	37 42	173/(305)	576 005711 576 005712	26 28			
E116/35	6	577 200060 1,5 x 7,5	4 x 35 gezahnt	577 220644	35	—	577 200110	265SES/80	577 210600	556 000775 556 000792	31 48	127/223	576 005707 576 005708	18 20	576 006051	576 006047	Für Blusen u. Oberhemden For blouses and shirts
										556 000778 556 000789	34 45	149/261	576 005709 576 005710	22 24			
										556 000781 556 000786	37 42	173/(305)	576 005711 576 005712	26 28			

- 2) Teil wird bei Bestellung einer E-Nr. nicht geliefert
- 2) Part is not supplied when ordering an E-No.
- 3) E... ist im Schlitz schneidend f. feste Materialien
- 3) E... cutting into slit for firm materials

- 4) Kunststoffschnidplatte f. kritische Materialien
- 4) Plastic cutting plate for critical materials
- 5) Bis 30 mm Nählänge Stoffdrückerkorb mit Spannschle
- Ab 30 mm Nählänge Stoffdrückerkorb mit gezahnter Sohle
- 5) Up to 30 mm sewing length fabric presser basket with clamp sole
- Over 30 mm sewing length fabric presser basket with toothed sole

Ersetzt Ausgabe
Replaced edition 09.1999

Ausgabe
Edition 10.1999

= Änderung / Modification

Blatt Page 577-1

Fortsetzung Blatt Continued on page 577-2



Einrichtungen der Equipments of 577 - 1111

Kurvenscheibe für Längsvorschub Control cam for longitudinal feed 577 932000

Steuerscheibe f. Überstich Control cam for the stitch throw 556 000659

Doppelsteppstich - Knopflochautomat mit Ober- und Untertransport zum Nähen von Knopflöchern mit zwei geraden Riegeln / Double-lockstitch-buttonhole-automat with upper and lower feed for sewing buttonholes with two straight tacks.

Max. Nählänge 48mm, je nach Einrichtung
Max. sewing length 48 mm, depending on

Max. Schnittlänge 38mm, je nach Einrichtung
Max. cut length 38mm, depending on the

E-Nr. E-No.	Max. Riegelbreite Max. bartack width mm	Stichplatten-einsatz / Stichlochgröße Throat plate insert / Stich hole size	Stoffdrückerkorb, kpl. Fabric presser basket complete		Max. Nählänge Max. sewing length mm	Gegenmesser in Stichplatte Counter-knife in throat plate	Kunststoff-schneidplatte in Stichplatte Plastic cutting plate in throat plate 4)	Nadel-system / Dicke Needle system / size	Transport-schieber Slider	Wechselräder Change gears		Stichzahl pro Knopfloch Number of stitches per buttonhole	Messer Knife		Messerhalter Knife holder	Messerwinkel Knife angle	Verwendung Use and remark
			Größe Size mm	Teile-Nr. Part-no. 5)						Teile-Nr. Zähnezahl Part-No. Number of teeth	Teile-Nr. Schnittlänge Part-No. Cut mm						
E116/48	6	577 200060 1,5 x 7,5	6 x 48 gezahnt	577 220654	48	—	577 200110	265SES/80	577 210600	556 000776	32	(134)/212	576 005711	26	576 006051	576 006047	Für Blusen u. Oberhemden For blouses and shirts
										556 000791	47		576 005712	28			
										556 000779	35		576 005713	30			
										556 000788	44	(157)/247	576 005714	34			
										556 000782	38	182/289	576 005715	38			
										556 000785	41						

- 2) Teil wird bei Bestellung einer E-Nr. nicht geliefert
- 2) Part is not supplied when ordering an E-No.
- 3) E... ist im Schlitz schneidend f. feste Materialien
- 3) E... cutting into slit for firm materials

- 4) Kunststoffschneidplatte f. kritische Materialien
- 4) Plastic cutting plate for critical materials
- 5) Bis 30 mm Nählänge Stoffdrückerkorb mit Spannsöhle
- Ab 30 mm Nählänge Stoffdrückerkorb mit gezahnter Sohle
- 5) Up to 30 mm sewing length fabric presser basket with clamp sole
- Over 30 mm sewing length fabric presser basket with toothed sole

Ersetzt Ausgabe
Replaced edition 09.1999

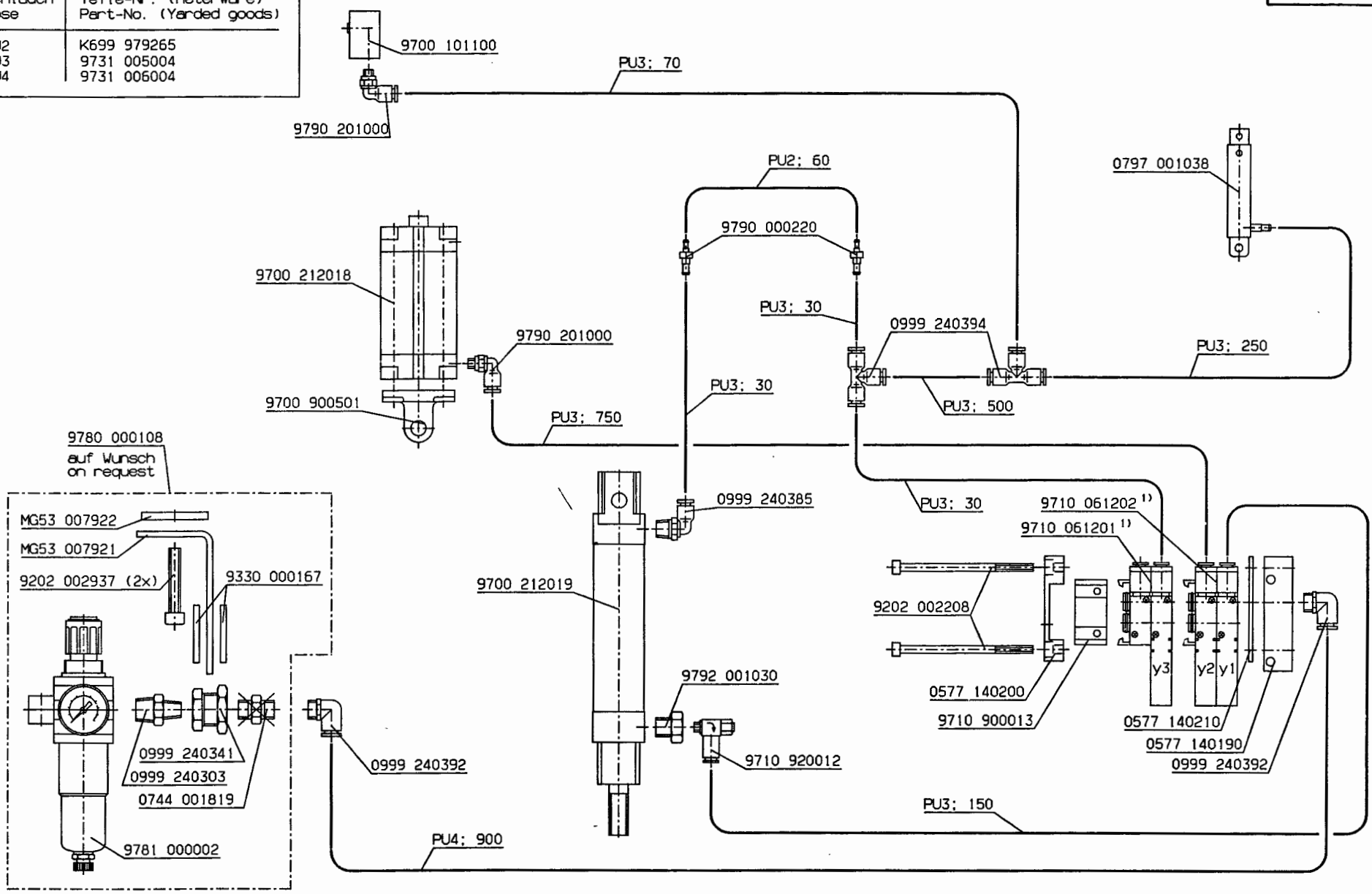
Ausgabe
Edition 10.1999

= Änderung / Modification

Blatt Page 577-2

Fortsetzung Blatt
Continued on page

Schlauch Hose	Teile-Nr. (Meterware) Part-No. (Yarded goods)
PU2	K699 979265
PU3	9731 005004
PU4	9731 006004

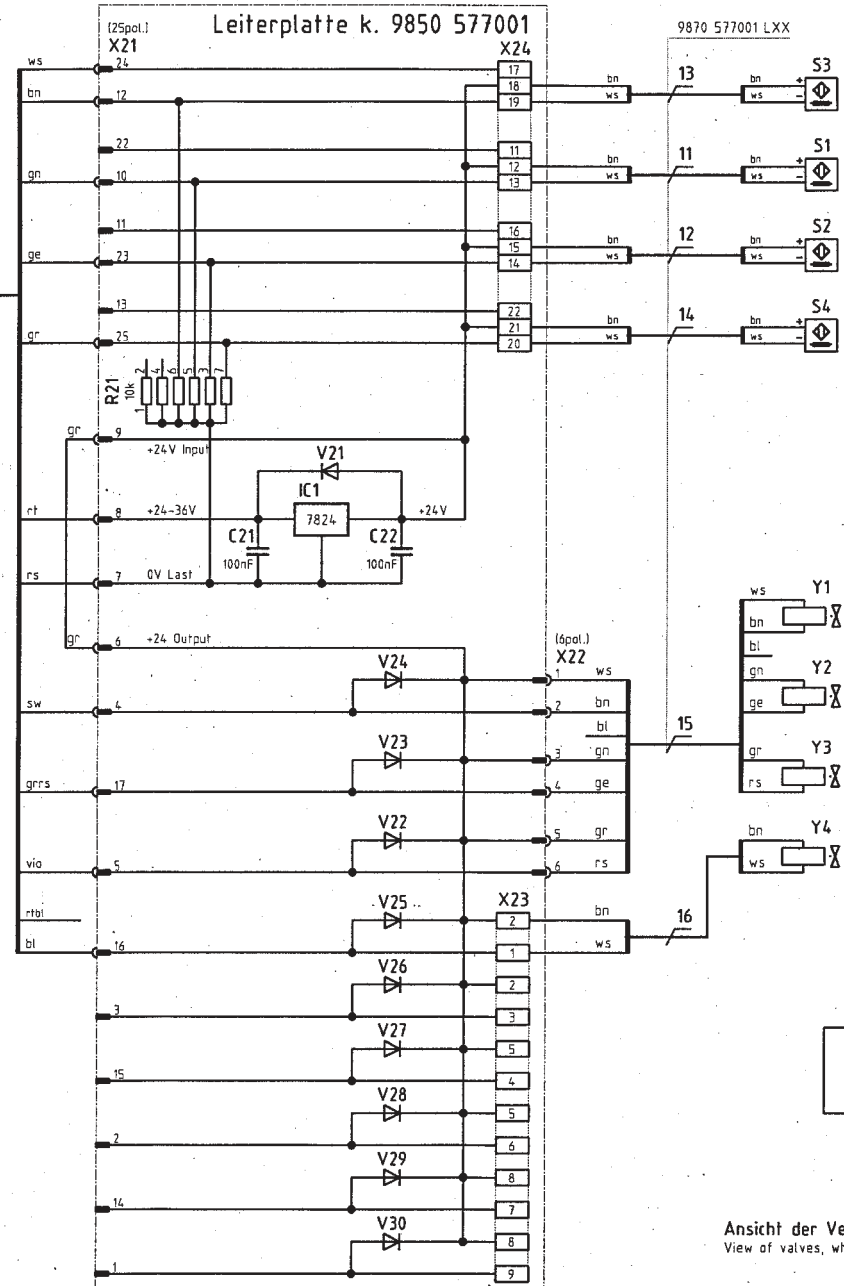
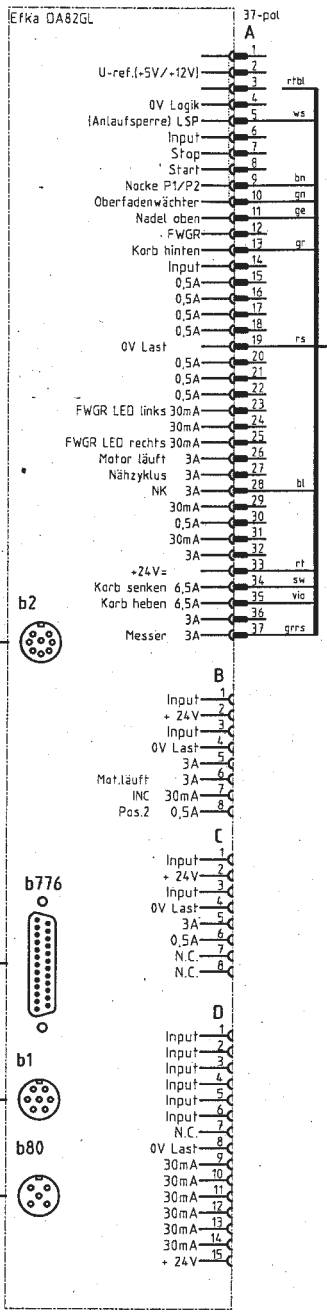


1) Ersatzventil ohne Montageplatte 9710 061200
Replacement valve without mounting plate 9710 061200

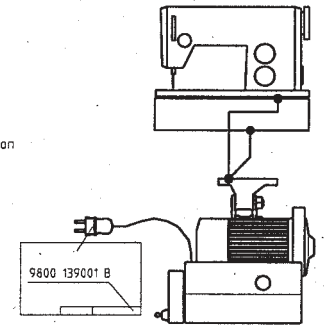
				Tag	22.08.97	gez.	Sch	l.d.	gepr.		ges.
				Pl. 0	05.03.98		Sch	l.d.	gepr.		
				Arb.	Tag	gez.			gepr.		

Pneumatik-Geräteplan
für 577-1111
Pneumatic-Elements-Plan
for 577-1111

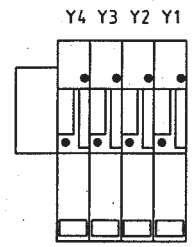

DÜRKOPP ADLER AG
9770 577001
Blatt | Blattz. |



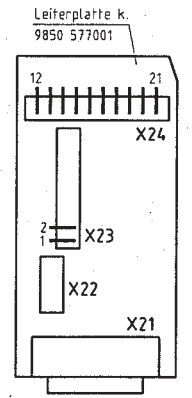
- Knopflochende/Nocke P1/P2
End of buttonhole/cam P1/P2
- Oberfadenwächter
Needle thread monitor
- Nadel oben
Needle in upper position
- Korb hinten
Presser foot back position



- Korb senken
Lowering presser foot
- Knopfloch schneiden
Buttonhole cutter
- Korb heben
Lift presser foot
- Nadelkühlung
Needle cooling



Ansicht der Ventile bei hochgeklappter Maschine
View of valves, when machine head is in upper position



Zusatzeinrichtung
Optional equipment

c	Datum	10.09.97	RE
b 02.1	11.08.98	Pm.	Bearb.
a 01.0	13.03.98	Pm.	Gepr.
Anderung	Datum	Name	Norm



**DÜRKOPP
ADLER AG**
Bielefeld

Teilefamilie
Freigabe
0658 / 98

577-1111
DC1600/DA82GL

Bauschaltplan
9890 577001 B

Blatt
1/1