

Singer 124-1

Form 8971 Revised  
September, 1929  
PRINTED IN U. S. A.

# LIST OF PARTS



**MACHINE No. 124-1**

---

**THE SINGER MANUFACTURING COMPANY**

COPYRIGHT, U. S. A.  
1921, 1922, 1923, 1924, 1925, 1928 AND 1929  
BY THE SINGER MANUFACTURING CO.  
ALL RIGHTS RESERVED FOR ALL COUNTRIES

## INDEX

---

	PAGE
ACCESSORIES.....	15
FOOT LIFTER PARTS.....	15
IRON BASE.....	15
MACHINE 124-1.....	7
NUMERICAL LIST OF PARTS.....	21
OBSOLETE PARTS.....	19
THREAD UNWINDER.....	16
UNDER DRIVER.....	16

## INSTRUCTIONS FOR ORDERING

In ordering from this list, use ONLY the part NUMBER in the FIRST column.

The number stamped on a Sewing Machine part is in every case the number of the single part only.

Every combination of parts sent out as such has its specific number, which, although not stamped on the parts, must be used when ordering the combination.

Each number always indicates the SAME PART in whatever list it appears, or for whatever machine.

The letters after some of the numbers indicate the style of finish only, as follows:

- A—Hardened, Polished, Nickel Plated and Buffed
- B—Polished, Nickel Plated and Buffed
- C—Hardened Only
- D—Polished Only
- E—Soft, Not Polished
- F—Hardened and Polished
- H—Blued
- J—Nickel Plated Only
- K—Hardened and Nickel Plated
- L—Brass Plated
- M—Oxidized
- P—Japanned
- R—Merlized
- T—Copper Plated
- T. A.—Hardened, Polished, Copper and Nickel Plated and Buffed.
- T. B.—Copper and Nickel Plated and Polished.
- T. J.—Copper and Nickel Plated Only.
- T. K.—Hardened, Copper and Nickel Plated.
- T. M.—Copper Plated and Oxidized.
- T. L.—Copper and Brass Plated.
- U—Zinc Plated
- V—Silver Plated
- W—Polished and Nickel Plated
- Z—Chromium Plated

These letters MUST BE USED when they appear in the list; and AFTER the number as in the list.

In this series:

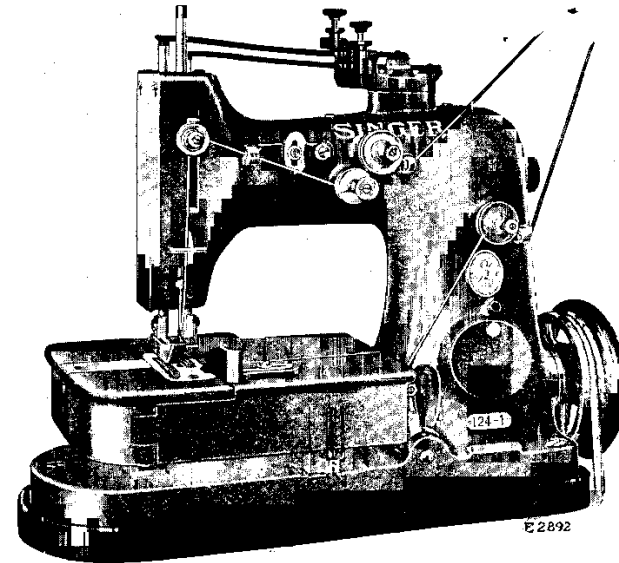
- 1 to 1500 and 50001 to 51500 are Screw Numbers.
- 1501 to 1800 and 51501 to 51800 are Nut Numbers.
- 1801 to 2000 and 51801 to 52000 are Roller Numbers.
- 2001 to 50000 and 52001 and upward are numbers of Machine Parts.

The figures in the second column refer only to the plates, illustrating the parts, and are NOT TO BE USED in ordering.

Parts marked with an asterisk (\*) are furnished only when repairs are made at factory.

## LIST OF PARTS COMPLETE

FOR



## MACHINE No. 124-1

FOR SEWING HEAVY BAGS. BED 18 INCHES LONG;  $7\frac{1}{2}$  INCHES FROM THE NEEDLE TO BASE OF ARM. ONE NEEDLE, ONE LOOPER, FOR SINGLE-THREAD CHAIN STITCH; ALSO LOOPER FOR TWO-THREAD CHAIN STITCH. THE SAME THROAT PLATE IS USED FOR EITHER SINGLE OR TWO-THREAD CHAIN STITCH. TWO INDEPENDENT PRESSER BARS AND HINGED PRESSER FEET. LENGTH OF STITCH  $\frac{3}{8}$  TO  $\frac{3}{4}$  INCH. LIFT OF PRESSER FOOT  $\frac{5}{8}$  INCH NEEDLE STROKE  $2\frac{1}{4}$  INCHES.

NO.	PLATE	NAME
*122001	—	Arm, upper and lower (solid).....
49091	8812	" Oil Tube with 49092, for oiling
		122012 (lower bearing).....

## PARTS FOR MACHINE No. 124-1

NO.	PLATE	NAME
49091	8812	Arm Oil Tube with 49092, for oiling 49049
52084	8812	" " " " 52045, for oiling intermediate bearing.....
52084	8812	Arm Oil Tube with 29599, for oiling 122078
52630	8812	" " " " 49092, for oiling 122012 (upper bearing).....
56003	8812	Arm Oil Tube with 52045, for oiling 49101
52045	8813	" " " Packing (felt) for 52084 and 56003.....
49092	8812	Arm Oil Tube Packing (felt) for 49091 and 52630.....
122097	8803	Arm Rock Shaft.....
49003	8801	" " " Bushing (back).....
446c	8801	" " " " " Set Screw
122003	8801	" " " " (front).....
446c	8801	" " " " " Set Screw
49004	8801	" " " " (intermediate)
446c	8801	" " " " " Set Screw.....
49006	8801	Arm Rock Shaft Collar with two 443c..
443c	8801	" " " " " Set Screw.....
122098	8802	" " " Crank (back) with 50282E and 50582c.....
50582c	8809	Arm Rock Shaft Crank (back) Position Screw.....
50282E	8809	Arm Rock Shaft Crank (back) Set Screw.
122099	8802	" " " " (front) with 50282E and 50582c.....
50582c	8809	Arm Rock Shaft Crank (front) Position Screw.....
50282E	8809	Arm Rock Shaft Crank (front) Set Screw
49005	8801	" " " Flanged Bushing (front)
446c	8801	" " " " " Set Screw.....
122006	8803	Arm Rotary Shaft.....
49011	8801	" " " Bushing (front).....
430c	8801	" " " " " Set Screw.....
49010	8801	Arm Rotary Shaft Collar with two 1259c.
1259c	8801	" " " " " Set Screw.....
49012	8803	" " " Flanged Bushing (back) with 49013 and 49093.....
49093	8807	Arm Rotary Shaft Flanged Bushing (back) Oil Pad (long) braided cotton.
49013	8812	Arm Rotary Shaft Flanged Bushing (back) Oil Pad (short) braided cotton.

## PARTS FOR MACHINE No. 124-1

NO.	PLATE	NAME
159F	8809	Arm Rotary Shaft Flanged Bushing (back) Screw.....
49014	8801	Arm Rotary Shaft Flanged Bushing (intermediate).....
448c	8801	Arm Rotary Shaft Flanged Bushing (intermediate) Set Screw.....
64805	8812	Arm Rotary Shaft Oil Pad (braided cotton) for front bearing.....
64805	8812	Arm Rotary Shaft Oil Pad (braided cotton) for intermediate bearing.....
4288	8802	Arm Side Cover (back).....
286D	8809	" " " " Thumb Screw..
4288	8802	" " " (front).....
286D	8809	" " " " Thumb Screw..
122007	8803	Balance Wheel, 4 $\frac{1}{8}$ in. diam., with two 430c.....
430c	8801	Balance Wheel Set Screw.....
122008	8803	Cloth Plate.....
122009	—	Cloth Plate complete, Nos. 42005, 52716c, 122008, 122011, 122041 and two 217D.
50467F	8809	Cloth Plate Screw.....
122010	8802	" " Slide.....
122011	—	Cloth Plate Slide complete, Nos. 38419, 122010 and two 725J.....
38419	8802	Cloth Plate Slide Spring.....
725J	8809	" " " " Screw.....
122012	8802	Crank Connecting Rod with 896E, 49099, 49109 and two 145E.....
896E	8809	Crank Connecting Rod Adjusting Screw
49109	8801	" " " " Washer
*49099	—	" " " " Cap.....
145E	8809	" " " " Screw.....
50147c	8809	" " " Hinge Screw....
1513J	8809	" " " " " Nut
122013	8803	Face Plate.....
193F	8809	" " Screw.....
122014	8802	Feed Bar.....
122015	—	Feed Bar complete, Nos. 190D, 457C, 1258c, 122014, 122016 to 122018 and two 704c.....
122016	8802	Feed Bar Extension.....
704c	8809	" " " Screw.....
52716c	8802	" " Hinge Pin.....
1258c	8801	" " " " " Set Screw.....
122017	8807	" " Oil Pad (braided cotton).....
122018	8802	" " Wearing Plate.....
190D	8809	" " " " Screw.....

NO.	PLATE	NAME
122019	8804	Feed Dog.....
157E	8804	" " Screw.....
457C	8804	" " Stop Screw.....
122020	8802	" Eccentric with two 1036c.....
122021	8802	" " Connection with 2653, 4784, 122022 and two 145E.....
*122022	—	Feed Eccentric Connection Cap.....
145E	8809	" " " " Screw...
4784	8812	" " " " Oil Pad (felt)
2653	8812	" " " " " Pin..
1036c	8809	" " Set Screw.....
122023	8801	" Lifting Cam with 1258c.....
1258c	8801	" " " " Set Screw.....
50086c	8809	" Regulating Screw Stud.....
1714c	8809	" " " " Nut.....
49031	8801	" " " " Sleeve....
49032	8801	" " " " Washer...
122024	8805	" Rock Shaft with two 1258c.....
122025	8805	" " " " Hinge Pin.....
122026	8801	" " " " " Bushing...
448c	8801	" " " " " " " Set Screw.....
1258c	8801	Feed Rock Shaft Hinge Pin Set Screw .
122027	8805	Guide.....
690D	8809	" Screw.....
9525	8801	" " Washer.....
122028	8806	Looper (double thread).....
122029	8806	" (single thread).....
122030	8805	" Bell Crank.....
49039	8805	" " " " Hinge Stud.....
448c	8801	" " " " " " Set Screw
4784	8812	" " " " Oil Pad (felt).....
122031	8803	" " " " Pitman with 46223, 49041 and two each 171E and 1057E..
50070c	8809	Looper Bell Crank Pitman Ball Screw Stud (lower).....
1636c	8809	Looper Bell Crank Pitman Ball Screw Stud (lower) Nut.....
50069c	8809	Looper Bell Crank Pitman Ball Screw Stud (upper).....
1619E	8809	Looper Bell Crank Pitman Ball Screw Stud (upper) Nut.....
*49041	—	Looper Bell Crank Pitman Cap (lower)
171E	8809	" " " " " " " Screw.....
*46223	—	Looper Bell Crank Pitman Cap (upper)

NO.	PLATE	NAME
1057E	8809	Looper Bell Crank Pitman Cap (upper) Screw.....
49043	8812	Looper Bell Crank Pitman Washer (fibre)
27398	8813	" " " " " (steel)
122032	8802	Looper Carrier with two each 175E, 59019 and three 1120c.....
175E	8806	Looper Carrier Adjusting Screw.....
21506	8806	" " Collar with 457c.....
457C	8804	" " " " Set Screw.....
59019	8806	" " Gib.....
4784	8812	" " Oil Pad (felt).....
122033	8805	Looper Carrier Pitman complete, Nos. 1722E, 1723E and 122036 to 122038..
50070c	8809	Looper Carrier Pitman Ball Screw Stud (right).....
1519E	8809	Looper Carrier Pitman Ball Screw Stud (right) Nut.....
46237	8809	Looper Carrier Pitman Ball Stud (left)..
1120c	8806	" " " " " " " Set Screw.....
*49085	—	Looper Carrier Pitman Cap (left).....
171E	8809	" " " " " " Screw.
*49085	—	" " " " " (right).....
171E	8809	" " " " " " Screw
*122034	—	" " " " End Bearing (left).....
*122035	—	Looper Carrier Pitman End Bearing (right).....
122036	8805	Looper Carrier Pitman Head (left) Nos. 46237, 49085, 122034 and two 171E...
122037	8805	Looper Carrier Pitman Head (right) Nos. 49085, 50070c, 122035 and two 171E..
122038	8805	Looper Carrier Pitman Rod.....
1722E	8809	" " " " Nut (left)..
1723E	8809	" " " " " " (right)
49043	8812	" " " " Washer (fibre)..
122039	8805	" " Rock Shaft.....
11411	8806	" " " " Collar with 453c.....
453c	8806	Looper Carrier Rock Shaft Collar Set Screw.....
49048	8805	Looper Carrier Rock Shaft Crank (back) forked, with 50083c.....
50083c	8809	Looper Carrier Rock Shaft Crank (back) Set Screw.....
49049	8805	Looper Carrier Rock Shaft Crank (back) Slide Block.....

NO.	PLATE	NAME
122040	8805	Looper Carrier Rock Shaft Crank (front) with two 1255E.....
1255E	8809	Looper Carrier Rock Shaft Crank (front) Clamping Screw.....
49051	8805	Looper Eccentric with two 1259c.....
1259c	8801	" " Set Screw.....
122041	8803	Looper Gate with 1259c.....
52716c	8802	" " Hinge Pin.....
1259c	8801	" " " " Set Screw.....
42005	8805	" " Lock Spring.....
217D	8809	" " " " Screw.....
1120c	8806	" Set Screw.....
122042	8807	Needle Bar (hollow).....
122043	8806	" " Bushing (lower).....
452c	8806	" " " " Set Screw..
122044	8806	" " " (upper).....
452c	8806	" " " " Set Screw.
49101	8806	" " Connecting Link.....
49057	8806	" " " " Hinge Stud
1517E	8806	" " " " " " "
		Nut.....
122045	8806	Needle Bar Connecting Stud with two 1454E.....
1454E	8806	Needle Bar Connecting Stud Clamping Screw.....
2102	8806	Needle Bar Thread Retainer Disc.....
1560c	8806	" " " " Regulating Thumb Nut.....
916c	8806	Needle Bar Thread Retainer Screw Stud
10148	8806	" " " " Spring....
122046	8806	" " " " Thread Guard.....
1753c	8806	Needle Clamping Nut.....
122047	8806	" Guard.....
190D	8806	" " Screw.....
122048	8807	Presser Bar (left).....
59033	8807	" " " Bushing (lower).....
452c	8806	" " " " " Set Screw.....
122049	8806	Presser Bar (left) Bushing (upper).....
452c	8806	" " " " " Set Screw.....
122050	8807	Presser Bar (left) Lifting Bracket with 1258c.....
1258c	8801	Presser Bar (left) Lifting Bracket Set Screw.....
122051	8807	Presser Bar (right).....

NO.	PLATE	NAME
59033	8807	Presser Bar (right) Bushing (lower).....
452c	8806	" " " " " Set Screw.....
122049	8806	Presser Bar (right) Bushing (upper)....
452c	8806	" " " " " Set Screw.....
122052	8807	Presser Bar (right) Lifting Bracket with 1258c.....
1258c	8801	Presser Bar (right) Lifting Bracket Set Screw.....
122053	8807	Presser Bar Lifter.....
42007	8805	" " " Hinge Pin.....
452c	8806	" " " " " Set Screw.
122054	8807	" " Spring (flat).....
122055	8807	" " " Bracket.....
1396D	8809	" " " " Screw.....
33468	8806	" " " Stud.....
122056	—	" Foot (left) Plate.....
646D	8804	" " " " Hinge Screw...
122057	—	" " " Shank.....
122058	8804	Presser Foot (left, hinged) complete, Nos. 646D, 122056 and 122057.....
898D	8804	Presser Foot (left) Screw.....
122059	—	" " (right Plate).....
646D	8804	" " " " Hinge Screw.
122060	—	" " " Shank.....
122061	8804	Presser Foot (right, hinged) complete, Nos. 646D, 122059 and 122060.....
898D	8804	Presser Foot (right) Screw.....
574J	8809	Pressure Regulating Thumb Screw....
1539J	8809	" " " " Lock Nut.....
122062	8808	Tension (looper thread) Disc.....
1560c	8806	" " " Regulating Thumb Nut.....
50261c	8808	Tension (looper thread) Screw Stud....
122063	8808	" " " " " Sleeve
52975	8808	" " " Spring.....
13915	8808	" " " " Bushing.
122062	8808	" (needle thread) Disc.....
1560c	8806	" " " Regulating Thumb Nut.....
50261c	8808	Tension (needle thread) Screw Stud.....
122063	8808	" " " " " Sleeve
52975	8808	" " " Spring.....
13915	8808	" " " " Bushing.
122064	8808	Thread Eyelet (side of arm).....

NO.	PLATE	NAME
447c	8808	Thread Eyelet (side of arm) Set Screw.
122065	8808	" Guide (side of arm) .....
452c	8806	" " " " " Set Screw.
122066	8808	" (under) Take-up .....
122020	8802	" " " Eccentric with two 1036c .....
1036c	8809	Thread (under) Take-up Eccentric Set Screw .....
122067	8807	Thread (under) Take-up Lever with 122068 and two each 145E and 1279F
*122068	—	Thread (under) Take-up Lever Cap. ....
145E	8809	" " " " " Screw
122069	8805	" " " " " Connec- tion .....
11411	8806	Thread (under) Take-up Lever Connec- tion Collar with 453c .....
453c	8806	Thread (under) Take-up Lever Connec- tion Collar Set Screw .....
375c	8809	Thread (under) Take-up Lever Hinge Screw .....
1519E	8809	Thread (under) Take-up Lever Hinge Screw Nut .....
1279F	8809	Thread (under) Take-up Set Screw .....
122070	8808	" " " " Stripper .....
122071	8805	" " " " " Bracket with three 462c .....
122072	8808	Thread (under) Take-up Stripper Bracket Bushing .....
462c	8808	Thread (under) Take-up Stripper Bracket Bushing Set Screw .....
690d	8809	Thread (under) Take-up Stripper Bracket Screw .....
462c	8808	Thread (under) Take-up Stripper Set Screw .....
122073	8807	Thread (upper) Controller with 457c ...
122072	8808	" " " " Bushing .....
457c	8804	" " " " " Set Screw .....
50061c	8809	Thread (upper) Controller Hinge Screw.
157c	8804	" " " " " Screw .....
9525	8801	" " " " " Washer
46383	8808	" " " Nipper Cam with two 1253c .....
1253c	8808	Thread (upper) Nipper Cam Set Screw.
32191	8808	" " " " Disc .....
1535c	8808	" " " " Regulating Thumb Nut .....

NO.	PLATE	NAME
122074	8808	Thread (upper) Nipper Releaser .....
122075	8808	" " " " Releasing Pin .....
735c	8808	" " " " " Set Screw .....
1979	8808	Thread (upper) Nipper Roller and Screw Stud .....
122076	8808	Thread (upper) Nipper Roller Bracket with 735c .....
122077	8808	Thread (upper) Nipper Spring .....
122078	8807	" " " " Stud .....
1036c	8809	" " " " " Set Screw.
122079	8804	Throat Plate for 122019 .....
742F	8804	" " " " Screw .....

## IRON BASE

NO.	PLATE	NAME
49123	8812	Machine Base Oil Pipe .....
49124	8812	" " " " Valve .....
50468E	8809	" " " " " Screw .....
122084	8812	" " " " Washer (leather) .....
122080	8810	Machine Base with 49123, 49124 and three each 50468E and 122084 .....

## ACCESSORIES

NO.	PLATE	NAME
4718	8812	Machine Base Cushion (felt) .....
50144J	8811	" " " " Thumb Screw with 49095 ..
49095	8812	" " " " " Washer .....
120344	8811	Oiler (copper-plated) with 120345 .....
120345	8811	" Spout, 5 in. long .....
11831	8811	Screw Driver (large) .....
26026	8811	" " (small) .....
8909	8811	Wrench for 1513, 1517 and 1636 .....
8908	8811	" " 1519, 1722, 1723 and 1753 ..
19221	8811	" " 1619 .....
49079	8811	" " 1714 .....

## FOOT LIFTER PARTS

NO.	PLATE	NAME
6439	—	Chain, 36 in. to 45 in., with 56864 and 56865 .....
4879	8811	Chain Connecting Link .....

NOTE: When ordering No. 6439, give length required.



## FOOT LIFTER PARTS

NO.	PLATE	NAME
56864	8811	Chain Hook (large).....
56865	8812	" " (small).....
122081	8810	Lifting Lever.....
122082	8806	" " Connection.....
	802D 8809	" " Hinge Screw.....
16069	8805	" " Spring.....
	871E 8809	" " Stop Screw.....
4881	8810	Treadle.....
4882	8811	" Shaft.....
4883	8811	" Spring.....
4884	8810	" Stand.....
4885	8810	Treadle complete, Nos. 4879, 4881 to 4884 and two wood screws 1 in. No. 16
122083	—	Foot Lifter complete, Nos. 802D, 871E, 4885, 6439, 16069, 122081 and 122082

## THREAD UNWINDER

## FOR TWO SPOOLS

NO.	PLATE	NAME
225395	7233	Spool Rest with 201018c.....
225388	7233	" " Rod.....
200383c	8809	" " Set Screw.....
201018c	8809	" " Set Screw.....
202490	7233	" Stand with 200383c.....
225391	7233	Thread Guide.....
201696J	8809	" " Lock Nut.....
225392	7233	" " Rod with 208E and 225393
	208E 8809	" " " Screw.....
225393	8809	" " " Washer.....
225396	7233	Thread Unwinder complete, Nos. 201696J, 202490, 225388, 225392, 225395, two 225391 and three wood screws 7/8 in. No. 12.....
27739	7234	Thread Cone (wood) for large cones....
225390	7234	" " Holder, for inverted cones.

NOTE: Nos. 27739 and 225390 are used with,  
but not included in, 225396.

## UNDER DRIVER

BELT TIGHTENER, LEVER PRESSURE, RIGHT HAND  
CONE SPEED, FLAT PULLEY

NO.	PLATE	NAME
126583	7877	Base with two 50288c.....
126572	7980	Belt Guard.....

## UNDER DRIVER

NO.	PLATE	NAME
50058D	7978	Belt Guard Screw.....
126584	7980	" Tightener Screw.....
55767	7978	" " " Hinge Stud.....
50288c	7978	" " " " " Set Screw.....
	1796E 7978	Belt Tightener Screw Nut.....
126585	7979	" " " " Washer.....
126573	7978	Brake (thermoid).....
126574	7877	" Lever with 51067c.....
51067c	7978	" " Set Screw.....
126575	7980	" " Spring.....
126169	7877	Driving Pulley (right hand) 6 3/4 in. diam. with 60911, 60935, 126202 and two 27414.....
	60911 7877	Driving Pulley Friction Ring (leather)..
	60935 7978	" " " " Stop Pin..
126756	7877	" " Shaft (hollow).....
126576	—	" " " " 126756 with 204107, 204108 and eleven 25303
126577	—	Driving Pulley Shaft complete, Nos. 126173, 126175, 126576, 126578 and 126757.....
	25303 7978	Driving Pulley Shaft Ball, size 1/4 in....
204107	7979	" " " " Cup.....
204108	7979	" " " " Cap.....
126173	7978	" " " Oiling Leather....
126757	—	" " " " Clip
126175	7978	" " " " Plug (leather).....
126578	7980	Driving Pulley Shaft Oil Wick.....
50959c	7978	" " " Set Screw.....
204113	7978	" " " Thimble.....
27414	7978	" " Spring.....
126201	7979	" " " Retaining Washer
126202	—	Driving Pulley Spring Retaining Washer complete, Nos. 126201 and 126203....
126203	7978	Driving Pulley Spring Retaining Washer Pin.....
126586	7877	Frame with 50959c.....
40063	7980	" Hinge Pin.....
50288c	7978	" " " Set Screw.....
126179	7877	Friction Pulley (right hand) with 227553 and four 50512E.....
	25362 7978	Friction Pulley Ball, size 3/8 in.....
204100	7979	" " " Bearing Cap.....
204101	7979	" " " Cap.....
204102	7979	" " " Retaining Spring..

## UNDER DRIVER

NO.	PLATE	NAME
227553	—	Friction Pulley Ball complete, Nos. 204100 to 204102 and thirteen 25362.
227970	7877	Lever (compression) and Dress Guard with 204117 and two each 200524c and 202845.
200524c	7978	Lever (compression) and Dress Guard Set Screw.
204117	7979	Lever Compression Plate.
202845	7978	" " " Rivet.
126580	—	" Shaft.
123183	7978	" " Cotter Pin.
126587	—	Pulley (flat) 3 in. diam.
126588	7877	" " 4 in. diam.
126589	—	" " 5 in. diam.

NOTE: No. 126588 is sent with this transmitter unless another Pulley is specified on order.

50512E	7978	Pulley Screw.
11864	8814	Shaft Driving Pulley (sectional) 10 in. diam. 1¼ in. face, 1⅜ in. bore, with two 597c.
597c	8813	Shaft Driving Pulley Clamping Screw.
126036	8497	Treadle.
126037	—	" 126036 with 2718R, 50581R and 126038.
126205	8497	Treadle Bracket (left).
126207	8813	" " " Hook.
23258	8813	" " " " Friction Washer.
126208	8813	Treadle Bracket (left) Hook Rivet.
126206	—	Treadle Bracket (left) complete, Nos. 23258, 126205, 126207, 126208 and two wood screws 1 in. No. 14.
46681	8497	Treadle Bracket (right).
60502	—	" " " 46681 with two wood screws 1 in. No. 14.
126038	8497	Treadle Extension.
50581R	8813	" " " Screw.
2718R	8813	" " " Washer.
60858	8497	" Hanging Hook.
27639	8497	" Pitman Rod.
9079	8497	" " " Clamp with 354c.
354c	8813	" " " " Screw.
60626	8497	Treadle Pitman Rod complete, two each Nos. 9097 and 27639.
126211	—	Treadle complete, Nos. 60502, 126037 and 126206.

## UNDER DRIVER

NO.	PLATE	NAME
126212	—	Treadle and Pitman complete, Nos. 60626, 60858 and 126211.
126590	—	Transmitter (belt tightener) complete, Nos. 40063, 50058, 55767, 123183, 126169, 126179, 126572 to 126575, 126577, 126580, 126583, 126584, 126586, 126588, 204113, 227970, two each 1796E, 126585 and three wood screws 1½ in. No. 16.
126591	—	Under Driver complete, Nos. 11864, 126212 and 126590.

NOTE: No. 126591 Under Driver is not sent with machine, unless specified on order.

**OBSOLETE PARTS**

NO.	PLATE	NAME
122002	8803	Arm Rock Shaft.
122004	8802	" " " Crank (back) with 50282E and 50457F.
50457F	8809	Arm Rock Shaft Crank (back) Position Screw.
122005	8802	Arm Rock Shaft Crank (front) with 50282E and 50457F.
50457F	8809	Arm Rock Shaft Crank (front) Position Screw.
29599	8812	Arm Oil Tube Packing (felt) for 52084 and 56003.

## NUMERICAL LIST OF PARTS

NO.	PLATE	NAME
145E	8809	Crank Connecting Rod Cap Screw for 122012.....
145E	8809	Feed Eccentric Connection Cap Screw for 122021.....
145E	8809	Thread (under Take-up Lever Cap Screw for 122067.....
157E	8804	Feed Dog Screw.....
157C	8804	Thread (upper) Controller Screw.....
159F	8809	Arm Rotary Shaft Flanged Bushing (back) Screw.....
171E	8809	Looper Bell Crank Pitman Cap (lower) Screw for 122031.....
171E	8809	Looper Carrier Pitman Cap (left) Screw for 122036.....
171E	8809	Looper Carrier Pitman Cap (right) Screw for 122037.....
175E	8806	Looper Carrier Adjusting Screw for 122032.....
190D	8809	Feed Bar Wearing Plate Screw for 122015.....
190D	8806	Needle Guard Screw.....
193F	8809	Face Plate Screw.....
208E	8809	Thread Unwinder Thread Guide Rod Screw for 225392.....
217D	8809	Looper Gate Lock Spring Screw for 122009.....
286D	8809	Arm Side Cover (back) Thumb Screw..
286D	8809	“ “ “ (front) Thumb Screw..
354c	8813	Under Driver Treadle Pitman Rod Clamp Screw for 9079.....
375c	8809	Thread (under) Take-up Lever Hinge Screw.....
430c	8801	Arm Rotary Shaft Bushing (front) Set Screw.....
430c	8801	Balance Wheel Set Screw for 122007....
443c	8801	Arm Rock Shaft Collar Set Screw for 49006.....
446c	8801	Arm Rock Shaft Bushing (back) Set Screw.....
446c	8801	Arm Rock Shaft Bushing (front) Set Screw.....
446c	8801	Arm Rock Shaft Bushing (intermediate) Set Screw.....
446c	8801	Arm Rock Shaft Flanged Bushing (front) Set Screw.....
447c	8808	Thread Eyelet (side of arm) Set Screw..

## NUMERICAL LIST OF PARTS

NO.	PLATE	NAME
448c	8801	Arm Rotary Shaft Flanged Bushing (intermediate) Set Screw.....
448c	8801	Feed Rock Shaft Hinge Pin Bushing Set Screw.....
448c	8801	Looper Bell Crank Hinge Stud Set Screw
452c	8806	Needle Bar Bushing (lower) Set Screw..
452c	8806	“ “ “ (upper) Set Screw .
452c	8806	Presser Bar (left) Bushing (lower) Set Screw.....
452c	8806	Presser Bar (left) Bushing (upper) Set Screw.....
452c	8806	Presser Bar (right) Bushing (lower) Set Screw.....
452c	8806	Presser Bar (right) Bushing (upper) Set Screw.....
452c	8806	Presser Bar Lifter Hinge Pin Set Screw..
452c	8806	Thread Guide (side of arm) Set Screw..
453c	8806	Looper Carrier Rock Shaft Collar Set Screw for 11411.....
453c	8806	Thread (under) Take-up Lever Connection Collar Set Screw for 11411.....
457c	8804	Feed Dog Stop Screw for 122015.....
457c	8804	Looper Carrier Collar Set Screw for 21506
457c	8804	Thread (upper) Controller Bushing Set Screw for 122073.....
462c	8808	Thread (under) Take-up Stripper Bracket Bushing Set Screw for 122071.....
462c	8808	Thread (under) Take-up Stripper Set Screw for 122071.....
574j	8809	Pressure Regulating Thumb Screw.....
597c	8813	Under Driver Shaft Driving Pulley Clamping Screw for 11864.....
646d	8804	Presser Foot (left) Plate Hinge Screw for 122058.....
646d	8804	Presser Foot (right) Plate Hinge Screw for 122061.....
690d	8809	Guide Screw.....
690d	8809	Thread (under) Take-up Stripper Bracket Screw.....
704c	8809	Feed Bar Extension Screw for 122015...
725j	8809	Cloth Plate Slide Spring Screw for 122011
735c	8808	Thread (upper) Nipper Releasing Pin Set Screw for 122076.....
742f	8804	Throat Plate Screw.....
802b	8809	Lifting Lever Hinge Screw for 122083...
871E	8809	“ “ Stop Screw for 122083....

## NUMERICAL LIST OF PARTS

NO.	PLATE	NAME
896E	8809	Crank Connecting Rod Adjusting Screw for 122012.....
898d	8804	Presser Foot (left) Screw.....
898d	8804	“ “ (right) Screw.....
916c	8806	Needle Bar Thread Retainer Screw Stud
1036c	8809	Feed Eccentric Set Screw for 122020....
1036c	8809	Thread (under) Take-up Eccentric Set Screw for 122020.....
1036c	8809	Thread (upper) Nipper Stud Set Screw
1057E	8809	Looper Bell Crank Pitman Cap (upper) Screw for 122031.....
1120c	8806	Looper Carrier Pitman Ball Stud (left) Set Screw for 122032.....
1120c	8806	Looper Set Screw for 122032.....
1253c	8808	Thread (upper) Nipper Cam Set Screw for 46383.....
1255E	8809	Looper Carrier Rock Shaft Crank (front) Clamping Screw for 122040.....
1258c	8801	Feed Bar Hinge Pin Set Screw for 122015
1258c	8801	“ Lifting Cam Set Screw for 122023
1258c	8801	“ Rock Shaft Hinge Pin Set Screw for 122024.....
1258c	8801	Presser Bar (left) Lifting Bracket Set Screw for 122050.....
1258c	8801	Presser Bar (right) Lifting Bracket Set Screw for 122052.....
1259c	8801	Arm Rotary Shaft Collar Set Screw for 49010.....
1259c	8801	Looper Eccentric Set Screw for 49051 ..
1259c	8801	“ Gate Hinge Pin Set Screw for 122041.....
1279f	8809	Thread (under) Take-up Set Screw for 122067.....
1396d	8809	Presser Bar Spring Bracket Screw.....
1454E	8806	Needle Bar Connecting Stud Clamping Screw for 122045.....
1513j	8809	Crank Connecting Rod Hinge Screw Nut
1517E	8806	Needle Bar Connecting Link Hinge Stud Nut.....
1519E	8809	Looper Carrier Pitman Ball Screw Stud (right) Nut.....
1519E	8809	Thread (under) Take-up Lever Hinge Screw Nut.....
1535c	8808	Thread (upper) Nipper Regulating Thumb Nut.....
1539j	8809	Pressure Regulating Thumb Screw Lock Nut.....

## NUMERICAL LIST OF PARTS

NO.	PLATE	NAME
1560c	8806	Needle Bar Thread Retainer Regulating Thumb Nut.....
1560c	8806	Tension (looper thread) Regulating Thumb Nut.....
1560c	8806	Tension (needle thread) Regulating Thumb Nut.....
1619e	8809	Looper Bell Crank Pitman Ball Screw Stud (upper) Nut.....
1636c	8809	Looper Bell Crank Pitman Ball Screw Stud (lower) Nut.....
1714c	8809	Feed Regulating Screw Stud Nut.....
1722e	8809	Looper Carrier Pitman Rod Nut (left) for 122033.....
1723e	8809	Looper Carrier Pitman Rod Nut (right) for 122033.....
1753c	8806	Needle Clamping Nut.....
1796e	7978	Under Driver Belt Tightener Screw Nut for 126590.....
1979	8808	Thread (upper) Nipper Roller and Screw Stud.....
2102	8806	Needle Bar Thread Retainer Disc.....
2653	8812	Feed Eccentric Connection Oil Pad Pin for 122021.....
2718r	8813	Under Driver Treadle Extension Screw Washer for 126037.....
4288	8802	Arm Side Cover (back).....
4288	8802	" " " (front).....
4718	8812	Machine Base Cushion, felt (Accessories)
4784	8812	Feed Eccentric Connection Oil Pad (felt) for 122021.....
4784	8812	Looper Bell Crank Oil Pad (felt).....
4784	8812	" Carrier Oil Pad (felt).....
4879	8811	Chain Connecting Link for 4885..... Nos. 4881 to 4884 for 4885.
4881	8810	Treadle.....
4882	8811	" Shaft.....
4883	8811	" Spring.....
4884	8810	" Stand.....
4885	8810	Treadle complete for 122083, Nos. 4879, 4881 to 4884 and two wood screws 1 in. No. 16.....
6439	—	Chain, 36 in. to 45 in., with 56864 and 56865, for 122083.....
8908	8811	Wrench for 1519, 1722, 1723 and 1753 (Accessories).....
8909	8811	Wrench for 1513, 1517 and 1636 (Accessories).....

## NUMERICAL LIST OF PARTS

NO.	PLATE	NAME
9079	8497	Under Driver Treadle Pitman Rod Clamp with 354c for 60626.....
9525	8801	Guide Screw Washer.....
9525	8801	Thread (upper) Controller Screw Washer
10148	8806	Needle Bar Thread Retainer Spring....
11411	8806	Looper Carrier Rock Shaft Collar with 453c.....
11411	8806	Thread (under) Take-up Lever Connection Collar with 453c.....
11831	8811	Screw Driver, large (Accessories).....
11864	8814	Under Driver Shaft Driving Pulley (sectional) 10 in. diam., 1 1/4 in. face, 1 3/8 in. bore with two 597c, for 126591.....
13915	8808	Tension (looper thread) Spring Bushing.
13915	8808	" (needle thread) Spring Bushing.
16069	8805	Lifting Lever Spring for 122083.....
19221	8811	Wrench for 1619 (Accessories).....
21506	8806	Looper Carrier Collar with 457c.....
23258	8813	Under Driver Treadle Bracket (left) Hook Friction Washer for 126206....
25303	7978	Under Driver Driving Pulley Shaft Ball, size 1/4 in., for 126576.....
25362	7978	Under Driver Friction Pulley Ball, size 3/8 in., for 227553.....
26026	8811	Screw Driver (small) Accessories.....
27398	8813	Looper Bell Crank Pitman Washer (steel)
27414	7978	Under Driver Driving Pulley Spring for 126169.....
27639	8497	Under Driver Treadle Pitman Rod for 60626.....
27739	7234	Thread Unwinder Thread Cone (wood) for large cones, for 225396.....
29599	8812	Arm Oil Tube Packing (felt) for 52084 and 56003, obsolete.....
32191	8808	Thread (upper) Nipper Disc.....
38419	8802	Cloth Plate Slide Spring for 122011.....
38468	8806	Presser Bar Spring Stud.....
40063	7980	Under Driver Frame Hinge Pin for 126590.....
42005	8805	Looper Gate Lock Spring for 122009....
42007	8805	Presser Bar Lifter Hinge Pin.....
*46223	—	Looper Bell Crank Pitman Cap (upper) for 122031.....
46237	8809	Looper Carrier Pitman Ball Stud (left) for 122036.....
46383	8808	Thread (upper) Nipper Cam with two 1253c.....

## NUMERICAL LIST OF PARTS

NO.	PLATE	NAME
46681	8497	Under Driver Treadle Bracket (right) for 60502.....
49003	8801	Arm Rock Shaft Bushing (back).....
49004	8801	" " " " (intermediate)
49005	8801	" " " Flanged Bushing (front)
49006	8801	" " " Collar with two 443c..
49010	8801	" Rotary Shaft Collar with two 1259c
49011	8801	" " " Bushing (front).....
49012	8803	" " " Flanged Bushing (back) with 49013 and 49093.....
49013	8812	Arm Rotary Shaft Flanged Bushing (back) Oil Pad (short) braided cotton for 49012.....
49014	8801	Arm Rotary Shaft Flanged Bushing (intermediate).....
49031	8801	Feed Regulating Screw Stud Sleeve.....
49032	8801	" " " " Washer...
49039	8805	Looper Bell Crank Hinge Stud.....
*49041	—	" " " Pitman Cap (lower) for 122031.....
49043	8812	Looper Bell Crank Pitman Washer (fibre)
49043	8812	" Carrier Pitman Washer (fibre)..
49048	8805	" " Rock Shaft Crank (back) forked, with 50083c.....
49049	8805	Looper Carrier Rock Shaft Crank (back) Slide Block.....
49051	8805	Looper Eccentric with two 1259c.....
49057	8806	Needle Bar Connecting Link Hinge Stud
49079	8811	Wrench for 1714 (Accessories).....
*49085	—	Looper Carrier Pitman Cap (left) for 122036.....
*49085	—	Looper Carrier Pitman Cap (right) for 122037.....
49091	8812	Arm Oil Tube with 49092, for oiling 122012 (lower bearing).....
49091	8812	Arm Oil Tube with 49092, for oiling 49049
49092	8812	" " " Packing (felt) for 49091 and 52630.....
49093	8807	Arm Rotary Shaft Flanged Bushing (back) Oil Pad (long) braided cotton, for 49012.....
49095	8812	Machine Base Thumb Screw Washer for 50144j.....
*49099	—	Crank Connecting Rod Cap for 122012
49101	8806	Needle Bar Connecting Link.....
49109	8801	Crank Connecting Rod Adjusting Washer for 122012.....

## NUMERICAL LIST OF PARTS

NO.	PLATE	NAME
49123	8812	Machine Base Oil Pipe for 122080.....
49124	8812	" " " " Valve for 122080
50058d	7978	Under Driver Belt Guard Screw for 126590.....
50061c	8809	Thread (upper) Controller Hinge Screw.
50069c	8809	Looper Bell Crank Pitman Ball Screw Stud (upper).....
50070c	8809	Looper Bell Crank Pitman Ball Screw Stud (lower).....
50070c	8809	Looper Carrier Pitman Ball Screw Stud (right for 122037.....
50083c	8809	Looper Carrier Rock Shaft Crank (back) Set Screw for 49048.....
50086c	8809	Feed Regulating Screw Stud.....
50144j	8811	Machine Base Thumb Screw with 49095 (Accessories).....
50147c	8809	Crank Connecting Rod Hinge Screw....
50261c	8808	Tension (looper thread) Screw Stud....
50261c	8808	" (needle thread) Screw Stud....
50282E	8809	Arm Rock Shaft Crank (back) Set Screw for 122004 and 122098.....
50282E	8809	Arm Rock Shaft Crank (front) Set Screw for 122005 and 122099.....
50288c	7978	Under Driver Belt Tightener Screw Hinge Stud Set Screw for 126583.....
50288c	7978	Under Driver Frame Hinge Pin Set Screw for 126583.....
50457F	8809	Arm Rock Shaft Crank (back) Position Screw for 122004, obsolete.....
50457F	8809	Arm Rock Shaft Crank (front) Position Screw for 122005, obsolete.....
50467F	8809	Cloth Plate Screw.....
50468E	8809	Machine Screw for 122080.....
50512E	7978	Under Driver Pulley Screw for 126179..
50582c	8809	Arm Rock Shaft Crank (back) Position Screw for 122098.....
50581R	—	Under Driver Treadle Extension Screw for 126037.....
50582c	8809	Arm Rock Shaft Crank (front) Position Screw for 122099.....
50959c	7978	Under Driver Driving Pulley Shaft Set Screw for 126586.....
51067c	7978	Under Driver Brake Lever Set Screw for 126574.....
52045	8813	Arm Oil Tube Packing (felt) for 52084 and 56003.....

## NUMERICAL LIST OF PARTS

NO.	PLATE	NAME
52084	8812	Arm Oil Tube with 29599, for oiling intermediate bearing.....
52084	8812	Arm Oil Tube with 52045, for oiling 122078.....
52630	8812	Arm Oil Tube with 49092, for oiling 122012 (upper bearing).....
52716c	8802	Feed Bar Hinge Pin.....
52716c	8802	Looper Gate Hinge Pin for 122009.....
52975	8808	Tension (looper thread) Spring.....
52975	8808	" (needle thread) Spring.....
55767	7978	Under Driver Belt Tightener Screw Hinge Stud 126590.....
56003	8812	Arm Oil Tube with 52045, for oiling 49101
56864	8811	Chain Hook (large) for 6439.....
56865	8812	" " (small) for 6439.....
59019	8806	Looper Carrier Gib for 122032.....
59033	8807	Presser Bar (left) Bushing (lower).....
59033	8807	" " (right) Bushing (lower).....
60502	—	Under Driver Treadle Bracket right 46681 with two wood screws 1 in., No. 14, for 126211.....
60626	—	Under Driver Treadle Pitman Rod complete, for 126212, two each Nos. 9079 and 27639.....
60858	8497	Under Driver Treadle Hanging Hook for 126212.....
60911	7877	Under Driver Driving Pulley Friction Ring (leather) for 126169.....
60935	7978	Under Driver Driving Pulley Friction Ring Stop Pin for 126169.....
64805	8812	Arm Rotary Shaft Oil Pad (braided cotton) for front bearing.....
64805	8812	Arm Rotary Shaft Oil Pad (braided cotton) for intermediate bearing.....
120344	8811	Oiler (copper plated) with 120345 (Accessories).....
120345	8811	Oiler Spout, 5 in. long, for 120344.....
*122001	—	Arm, upper and lower (solid).....
122002	8803	" Rock Shaft, obsolete.....
122003	8801	" " " Bushing (front).....
122004	8802	" " " Crank (back) with 50282E and 50457F, obsolete.....
122005	8802	Arm Rock Shaft Crank (front) with 50282E and 50457F, obsolete.....
122006	8803	Arm Rotary Shaft.....
122007	8803	Balance Wheel, 4 $\frac{1}{8}$ in. diam., with two 430c.....

## NUMERICAL LIST OF PARTS

NO.	PLATE	NAME
122008	8803	Cloth Plate for 122009.....
122009	—	Cloth Plate complete, Nos. 42005, 52716c, 122008, 122011, 122041 and two 217D
122010	8802	Cloth Plate Slide for 122011.....
122011	—	Cloth Plate Slide complete for 122009, Nos. 38419, 122010 and two 725J.....
122012	8802	Crank Connecting Rod with 896E, 49099, 49109 and two 145E.....
122013	8803	Face Plate.....
122014	8802	Feed Bar for 122015.....
122015	—	Feed Bar complete, Nos. 190D, 457c, 1258c, 122014, 122016 to 122018 and two 704c.....
		Nos. 122016 to 122018 for 122015.
122016	8802	Feed Bar Extension.....
122017	8807	" " Oil Pad (braided cotton).....
122018	8802	" " Wearing Plate.....
122019	8804	" Dog.....
122020	8802	" Eccentric with two 1036c.....
122020	8802	Thread (under) Take-up Eccentric with two 1036c.....
122021	8802	Feed Eccentric Connection with 2653, 4784, 122022 and two 145E.....
*122022	—	Feed Eccentric Connection Cap for 122021.....
122023	8801	Feed Lifting Cam with 1258c.....
122024	8805	" Rock Shaft with two 1258c.....
122025	8805	" " " Hinge Pin.....
122026	8801	" " " " Bushing.....
122027	8805	Guide.....
122028	8806	Looper (double thread).....
122029	8806	" (single thread).....
122030	8805	" Bell Crank.....
122031	8803	" " " Pitman with 46223, 49041 and two each 171E and 1057E
122032	8802	Looper Carrier with two each 175E, 59019 and three 1120c.....
122033	8805	Looper Carrier Pitman complete, Nos. 1722E, 1723E and 122036 to 122038..
*122034	—	Looper Carrier Pitman End Bearing (left) for 122036.....
*122035	—	Looper Carrier Pitman End Bearing (right) for 122037.....
		Nos. 122036 to 122038 for 122033.
122036	8805	Looper Carrier Pitman Head (left) Nos. 46237, 49085, 122034 and two 171E..

## NUMERICAL LIST OF PARTS

NO.	PLATE	NAME
122037	8805	Looper Carrier Pitman Head (right) Nos. 49085, 50070c, 122035 and two 171E.....
122038	8805	Looper Carrier Pitman Rod.....
122039	8805	" " Rock Shaft.....
122040	8805	" " " " Crank (front) with two 1255E.....
122041	8803	Looper Gate with 1259c, for 122009....
122042	8807	Needle Bar (hollow).....
122043	8806	" " Bushing (lower).....
122044	8806	" " " (upper).....
122045	8806	" " Connecting Stud with two 1454E.....
122046	8806	Needle Bar Thread Retainer Thread Guard.....
122047	8806	Needle Guard.....
122048	8807	Presser Bar (left).....
122049	8806	" " " Bushing (upper).....
122049	8806	" " (right) Bushing (upper)....
122050	8807	" " (left) Lifting Bracket with 1258c.....
122051	8807	Presser Bar (right).....
122052	8807	" " " Lifting Bracket with 1258c.....
122053	8807	Presser Bar Lifter.....
122054	8807	" " Spring (flat).....
122055	8807	" " " Bracket.....
122056	—	" Foot (left) Plate for 122058....
122057	—	" " " Shank for 122058....
122058	8804	Presser Foot (left, hinged) complete, Nos. 646d, 122056 and 122057.....
122059	—	Presser Foot (right) Plate for 122061...
122060	—	" " " Shank for 122061..
122061	8804	Presser Foot (right, hinged) complete, Nos. 646d, 122059 and 122060.....
122062	8808	Tension (looper thread) Disc.....
122062	8808	" (needle thread) Disc.....
122063	8808	" (looper thread) Screw Stud Sleeve.....
122063	8808	Tension (needle thread) Screw Stud Sleeve.....
122064	8808	Thread Eyelet (side of arm).....
122065	8808	" Guide (side of arm).....
122066	8808	" (under) Take-up.....
122067	8807	" " " Lever with 122068 and two each 145E and 1279F.

## NUMERICAL LIST OF PARTS

NO.	PLATE	NAME
*122068	—	Thread (under) Take-up Lever Cap for 122067.....
122069	8805	Thread (under) Take-up Lever Connec- tion.....
122070	8808	Thread (under) Take-up Stripper.....
122071	8805	" " " " Bracket with three 462c.....
122072	8808	Thread (under) Take-up Stripper Bracket Bushing.....
122072	8808	Thread (upper) Controller Bushing....
122073	8807	" " " with 457c....
122074	8808	Thread (upper) Nipper Releaser.....
122075	8808	" " " Releasing Pin...
122076	8808	" " " Roller Bracket with 735c.....
122077	8808	Thread (upper) Nipper Spring.....
122078	8807	" " " Stud.....
122079	8804	Throat Plate for 122019.....
122080	8810	Machine Base with 49123, 49124 and three each 50468E and 122084.....
122081	8810	Lifting Lever for 122083.....
122082	8806	" " Connection for 122083....
122083	—	Foot Lifter complete, Nos. 802d, 871E, 4885, 6439, 16069, 122081 and 122082
122084	8812	Machine Washer (leather) for 122080...
122097	8803	Arm Rock Shaft.....
122098	8802	" " " Crank (back) with 50282E and 50582c.....
122099	8802	Arm Rock Shaft Crank (front) with 50282E and 50582c.....
123183	7978	Under Driver Lever Shaft Cotter Pin for 126590.....
126036	8497	Under Driver Treadle for 126037.....
126037	—	" " " 126036 with 2718R, 50581R and 126038, for 126211
126038	8497	Under Driver Treadle Extension for 126037.....
126169	7877	Under Driver Driving Pulley (right hand) 6¾ in. diam., with 60911, 60935, 126202 and two 27414, for 126590...
126173	7978	Under Driver Driving Pulley Shaft Oil- ing Leather for 126577.....
126175	7978	Under Driver Driving Pulley Shaft Oil- ing Leather Plug (leather) for 126577.
126179	7877	Under Driver Friction Pulley (right hand) with 227553 and four 50512E, for 126590.....



## NUMERICAL LIST OF PARTS

NO.	PLATE	NAME
126201	7979	Under Driver Driving Pulley Spring Retaining Washer for 126202.....
126202	—	Under Driver Driving Pulley Spring Retaining Washer complete for 126169, Nos. 126201 and 126203.....
126203	7978	Under Driver Driving Pulley Spring Retaining Washer Pin for 126202.....
126205	8497	Under Driver Treadle Bracket (left) for 126206.....
126206	—	Under Driver Treadle Bracket (left) complete for 126211, Nos. 23258, 126205, 126207, 126208 and two wood screws 1 in. No. 14.....
126207	8813	Under Driver Treadle Bracket (left) Hook for 126206.....
126211	—	Under Driver Treadle complete for 126212 Nos. 60502, 126037 and 126206.....
126212	—	Under Driver Treadle and Pitman complete for 126591, Nos. 60626, 60858 and 126211.....
		Nos. 126572 to 126575, for 126590
126572	7980	Under Driver Belt Guard.....
126573	7978	“ “ Brake (thermoid).....
126574	7877	“ “ “ Lever with 51067c.....
126575	7980	“ “ “ Spring.....
126576	—	“ “ Driving Pulley Shaft (hollow) 126756 with 204107, 204108, and eleven 25303, for 126577.....
126577	—	Under Driver Driving Pulley Shaft complete, for 126590, Nos. 126173, 126175, 126576, 126578 and 126757..
126578	7980	Under Driver Driving Pulley Shaft Oil Wick for 126577.....
126580	—	Under Driver Lever Shaft for 126590... Nos. 126583 to 126589 for 126590
126583	7877	Under Driver Base with two 50288c....
126584	7980	“ “ Belt Tightener Screw.....
126585	7979	“ “ “ “ Nut Washer.....
126586	7877	Under Driver Frame with 50959c.....
126587	—	“ “ Pulley (flat) 3 in. diam....
126588	7877	“ “ “ “ 4 in. diam....
126589	—	“ “ “ “ 5 in. diam....

## NUMERICAL LIST OF PARTS

NO.	PLATE	NAME
126590	—	Transmitter (belt tightener) complete for 126591, Nos. 40063, 50058, 55767, 123183, 126169, 126179, 126572 to 126575, 126577, 126580, 126583, 126584, 126586, 126588, 204113, 227970, two each 1796E, 126585 and three wood screws 1½ in. No. 16.....
126591	—	Under Driver (belt tightener, lever pressure, right hand, one speed, flat pulley) complete, Nos. 11864, 126212 and 126590.....
126756	7877	Under Driver Driving Pulley Shaft (hollow) for 126576.....
126757	—	Under Driver Driving Shaft Oiling Leather Clip for 126577.....
200383c	8809	Thread Unwinder Spool Rest Rod Set Screw for 202490.....
200524c	7978	Under Driver Lever (compression) and Dress Guard Set Screw for 227970...
201018c	8809	Thread Unwinder Spool Rest Set Screw for 225395.....
201696r	8809	Thread Unwinder Thread Guide Lock Nut for 225396.....
202490	7233	Thread Unwinder Spool Stand with 200383c, for 225396.....
202845	7978	Under Driver Lever Compression Plate Rivet for 227970.....
		Nos. 204100 to 204102 for 227553
204100	7979	Under Driver Friction Pulley Ball Bearing Cap.....
204101	7979	Under Driver Friction Pulley Ball Cap
204102	7979	“ “ “ “ Re-taining Spring.....
204107	7979	Under Driver Driving Pulley Shaft Ball Cup for 126576.....
204108	7979	Under Driver Driving Pulley Shaft Ball Cup Cap for 126576.....
204113	7978	Under Driver Driving Pulley Shaft Thimble for 126590.....
204117	7979	Under Driver Lever Compression Plate for 227970.....
225388	7233	Thread Unwinder Spool Rest Rod for 225396.....
225390	7234	Thread Unwinder Thread Cone Holder, for inverted cones, for 225396.....
225391	7233	Thread Unwinder Thread Guide for 225396.....

## NUMERICAL LIST OF PARTS

NO.	PLATE	NAME
225392	7233	Thread Unwinder Thread Guide Rod with 208E and 225393, for 225396...
225393	8809	Thread Unwinder Thread Guide Rod Washer for 225392.....
225395	7233	Thread Unwinder Spool Rest with 201018c, for 225396.....
225396	7233	Thread Unwinder complete, for two spools, Nos. 201696j, 202490, 225388, 225392, 225395, two 225391 and three wood screws 1/8 in. No. 12....
227553	—	Under Driver Friction Ball Cap, Nos. 204100 to 204102 and thirteen 25362, for 126179.....
227970	7877	Under Driver Lever (compression) and Dress Guard with 204117 and two each 200524c and 202845, for 126590

Genuine Singer Needles and their Containers are marked with the Company's Trade Mark "SIMANCO." 1

Needles in Containers marked "For Singer Machines" are not Singer made needles. 2

PLATE 7233—ONE-SIXTH SIZE

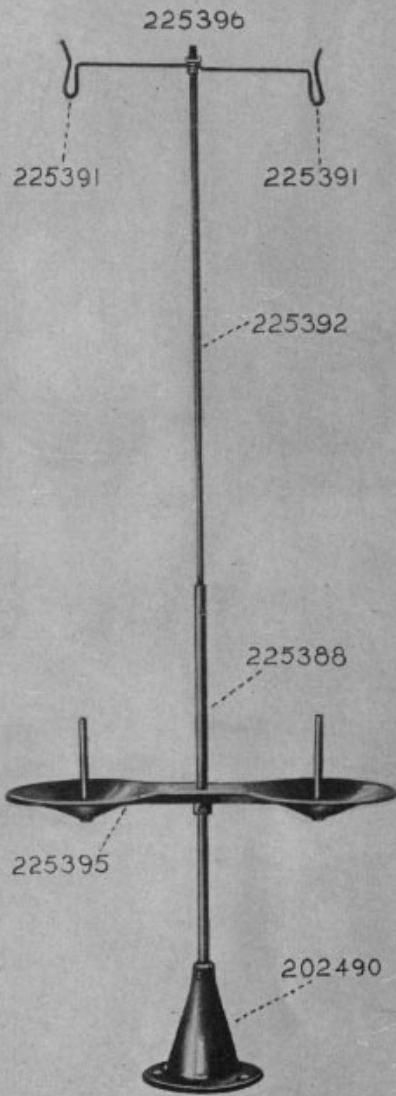


PLATE 7234—ONE-HALF SIZE

27739



225390

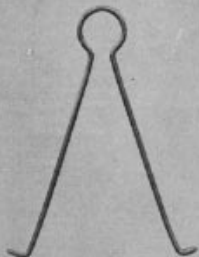
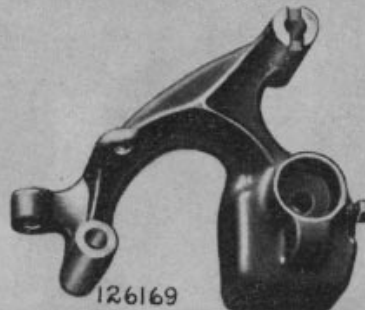


PLATE 7877—ONE-FOURTH SIZE

126586



60911



126169

126588



126179



126583



126756



227970



126574



PLATE 7978—FULL SIZE

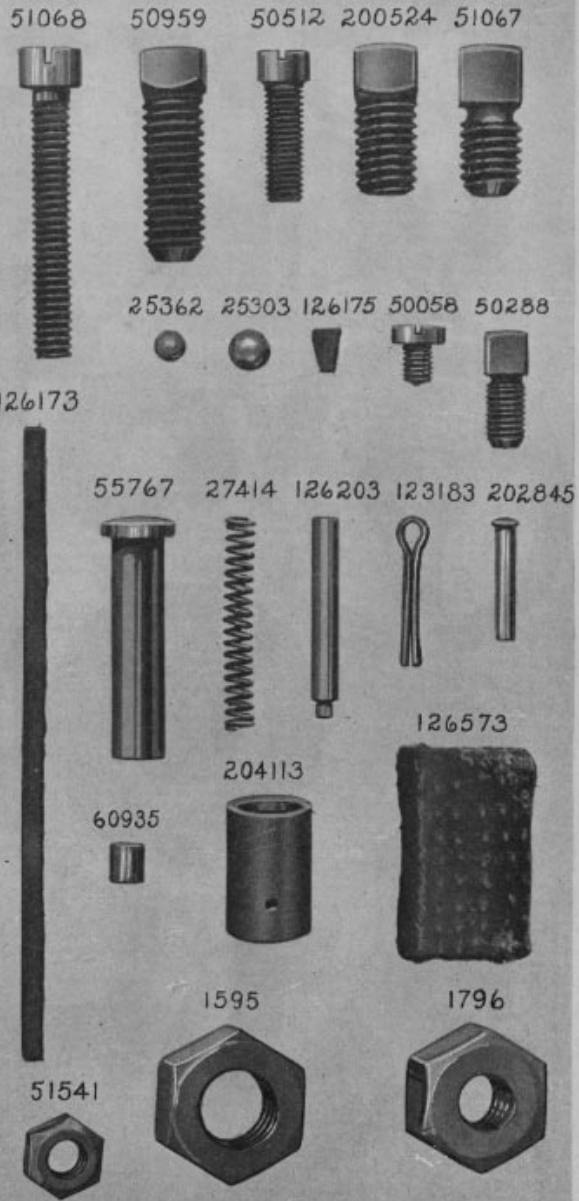


PLATE 7979—FULL SIZE

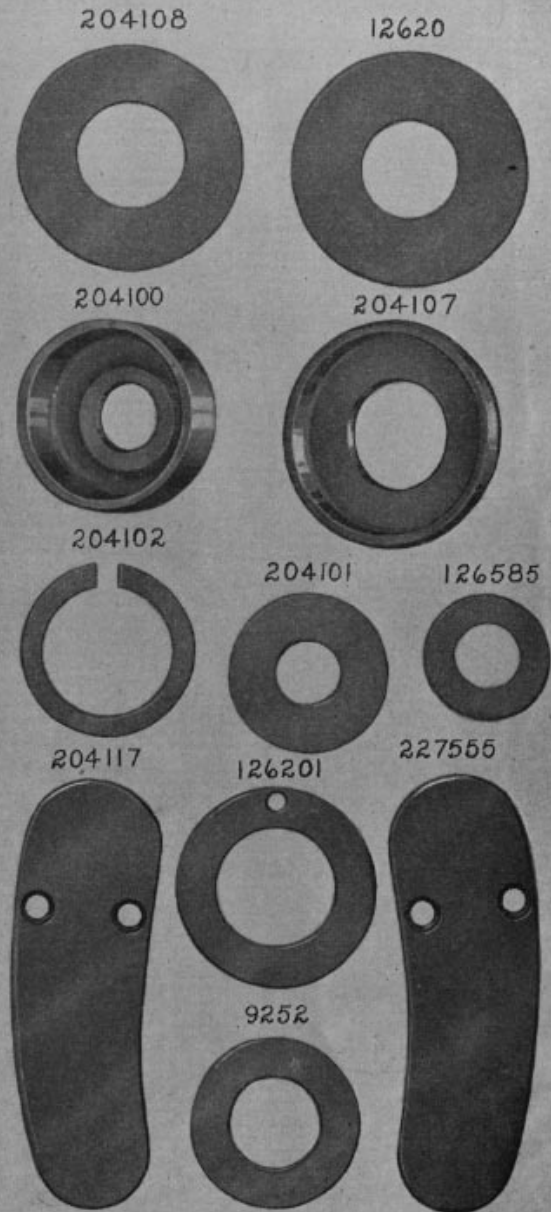


PLATE 7980—ONE-HALF SIZE

126572 126584 126575 126578

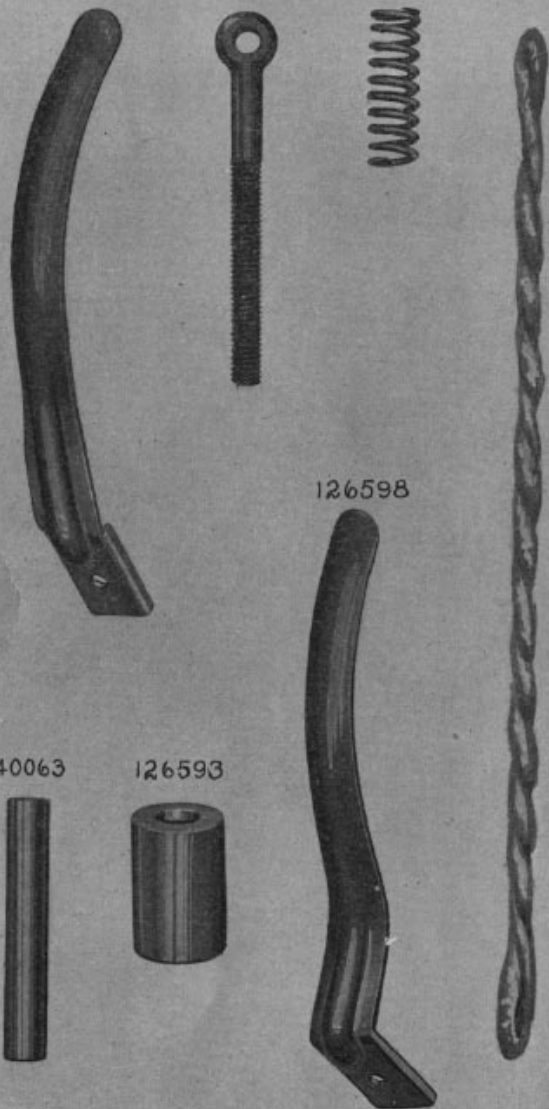


PLATE 8497—ONE-FOURTH SIZE

126036

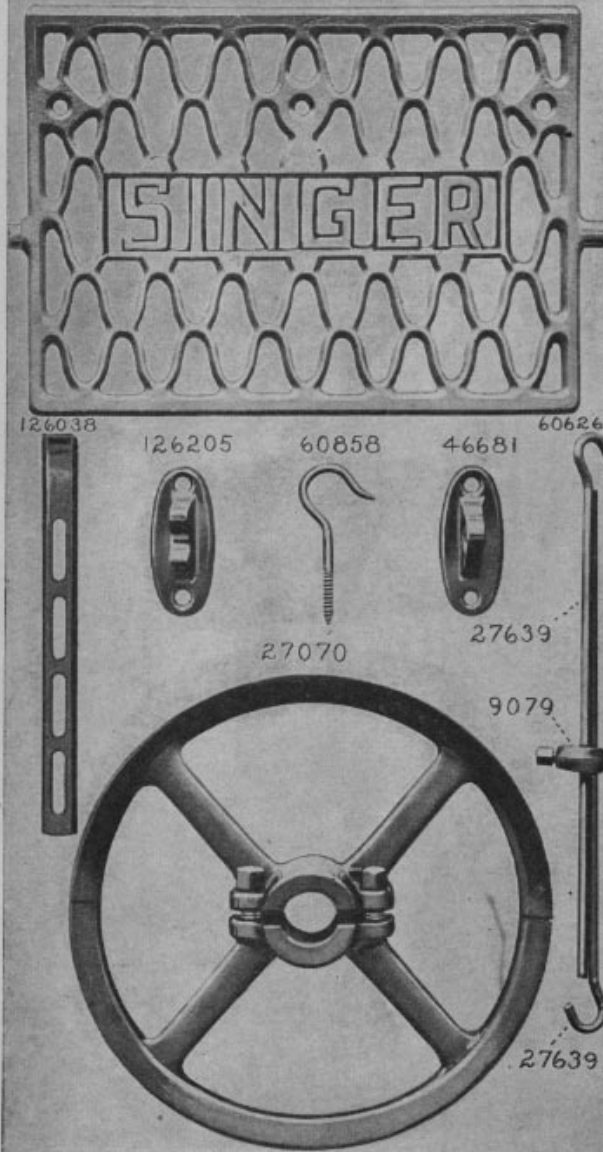


PLATE 8801—FULL SIZE



PLATE 8802—ONE-HALF SIZE

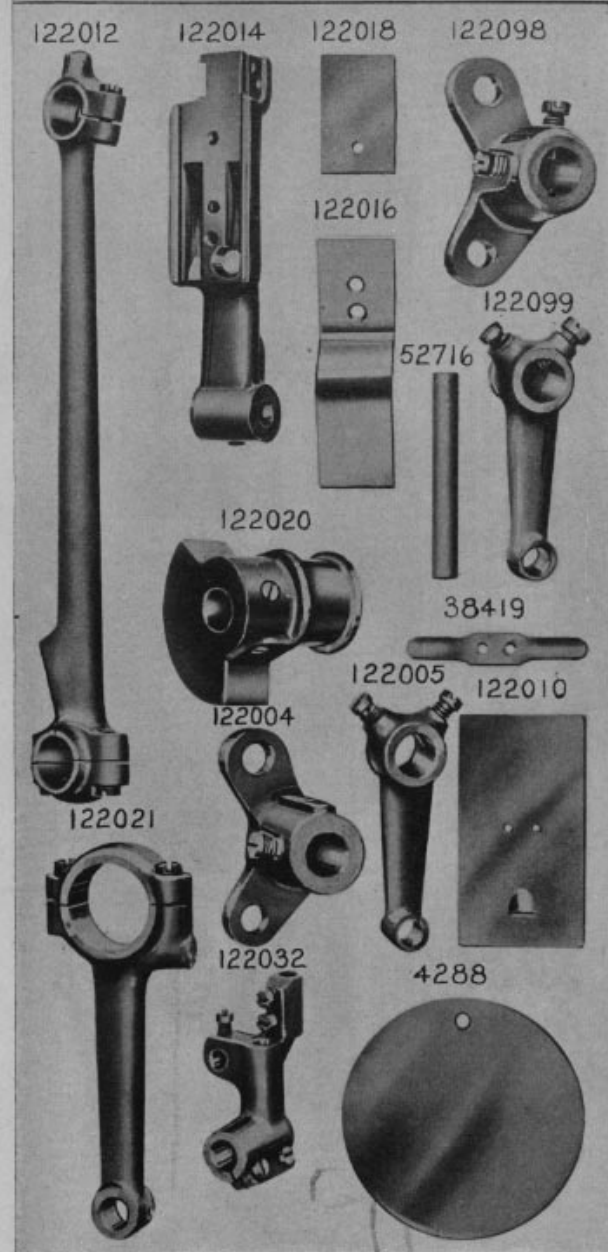


PLATE 8803—ONE-FOURTH SIZE

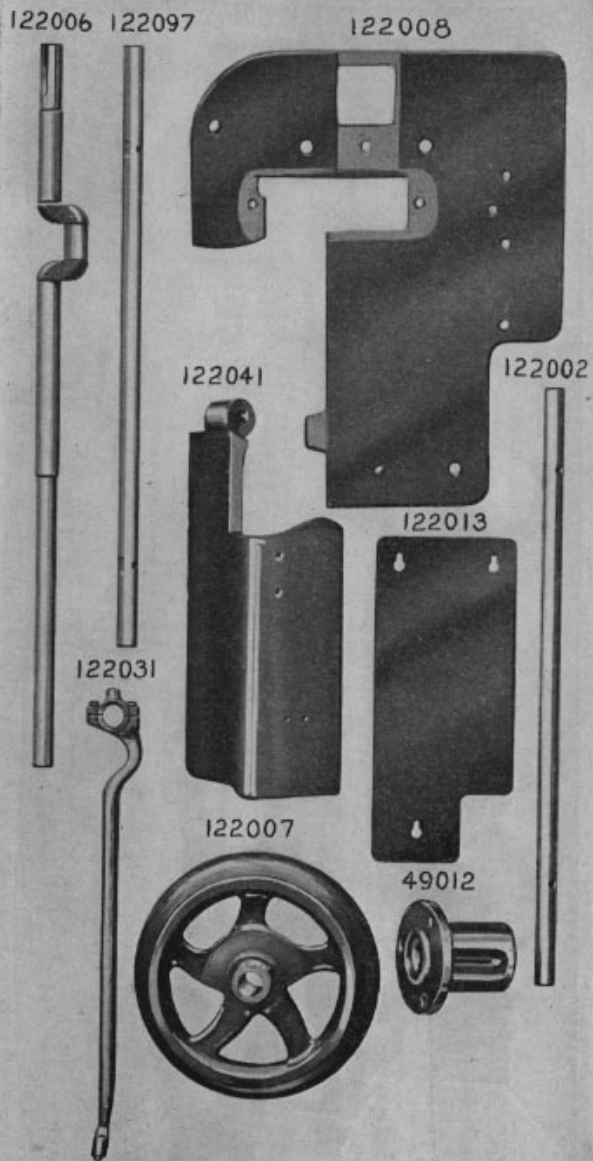


PLATE 8804—FULL SIZE

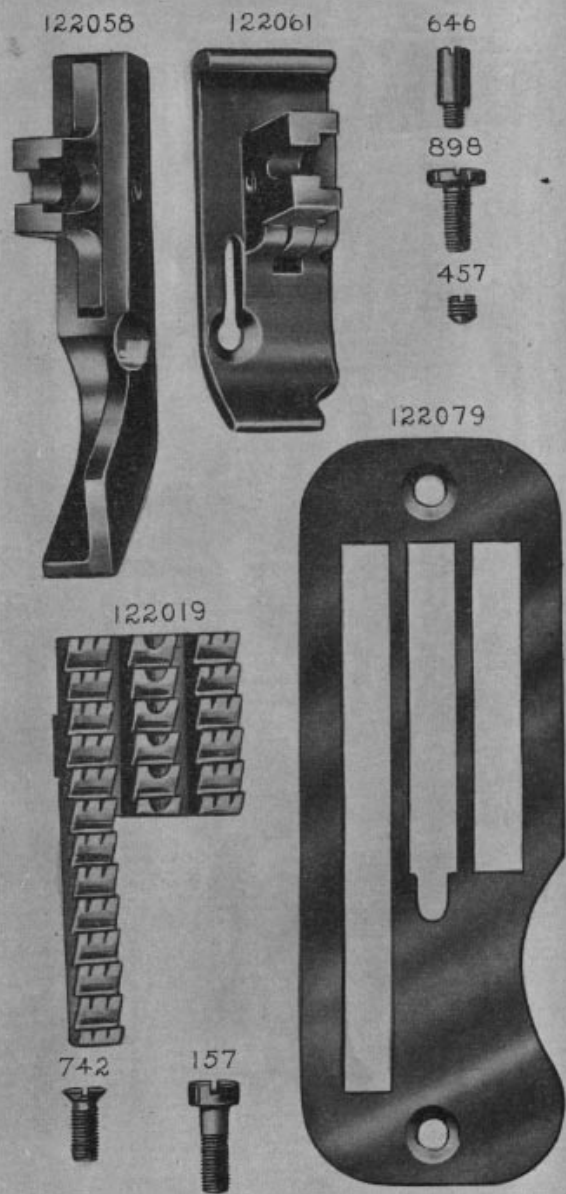




PLATE 8805—ONE-HALF SIZE

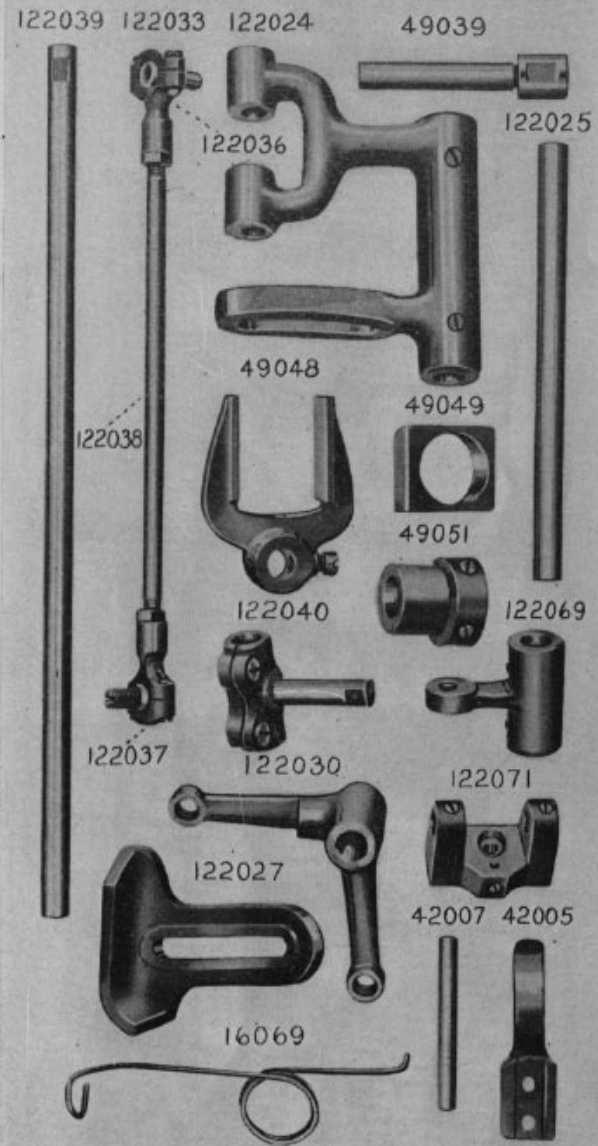


PLATE 8806—FULL SIZE

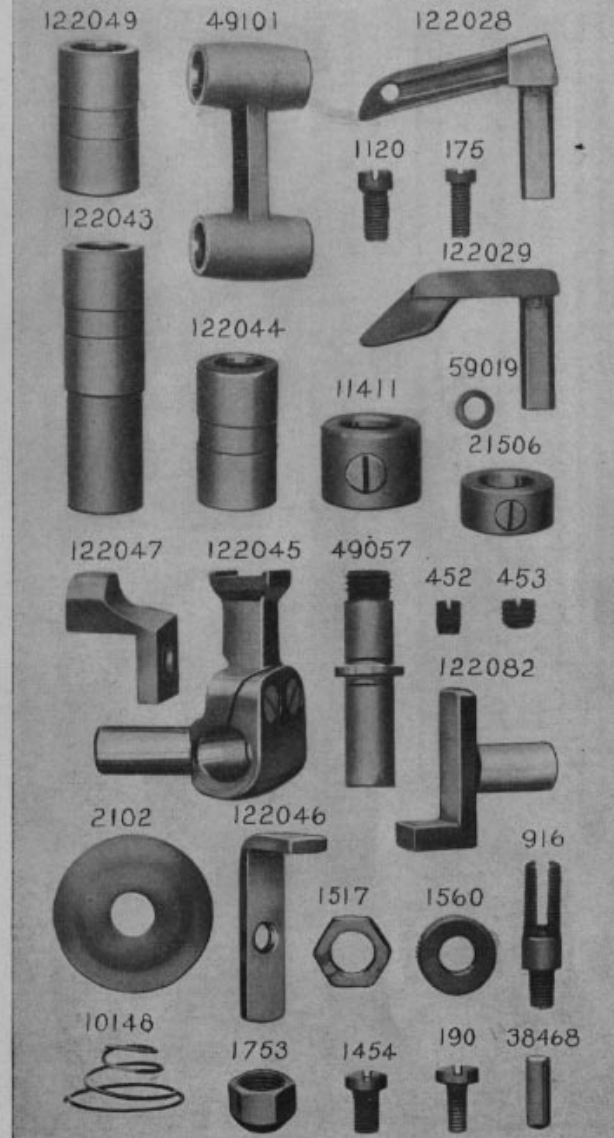


PLATE 8807—ONE-HALF SIZE

122048 122051 122042 122054 49093 122017 122078

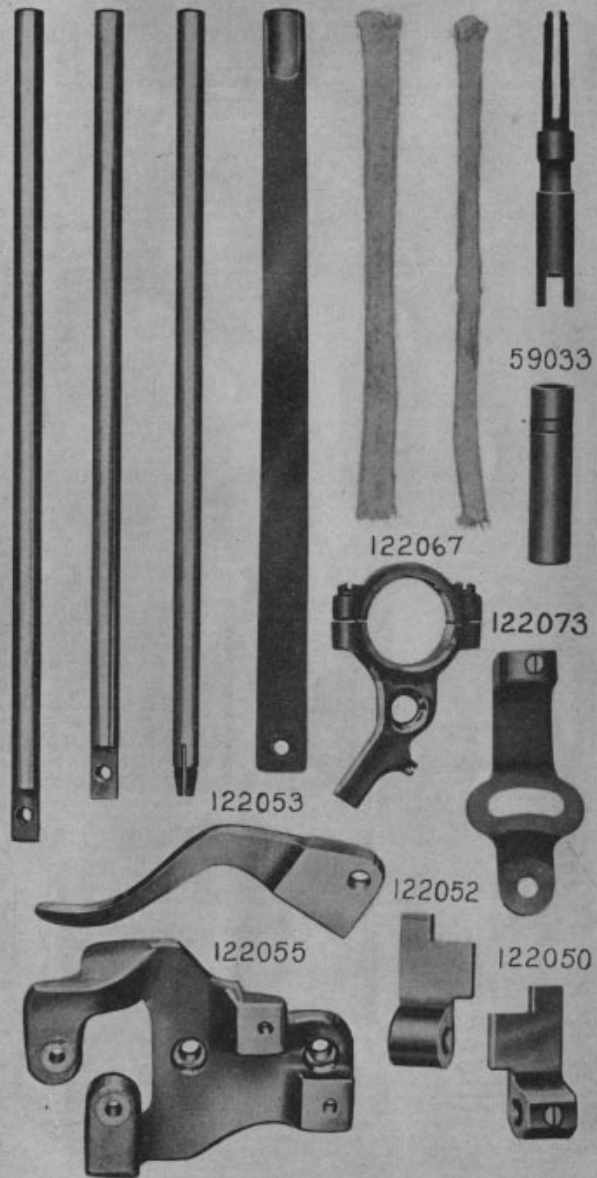


PLATE 8808—FULL SIZE

50261 52975 122064 122063 13915

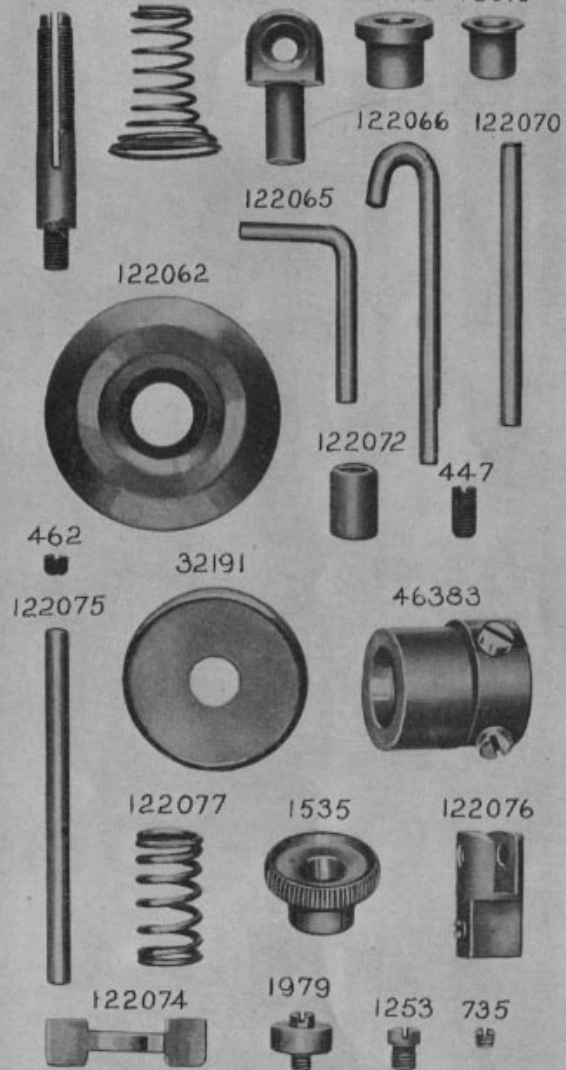


PLATE 8809—FULL SIZE



PLATE 8810—ONE-FOURTH SIZE

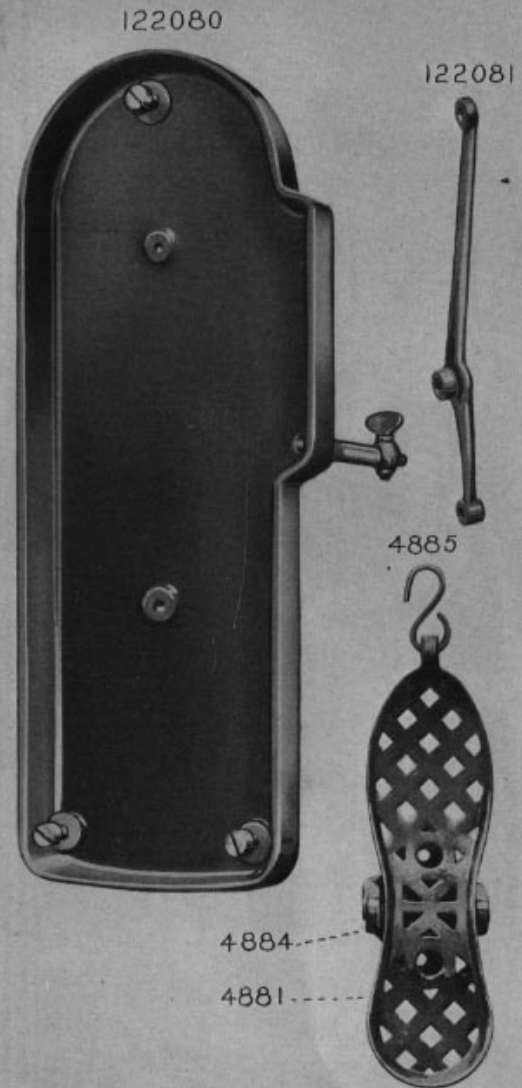


PLATE 8811—ONE-HALF SIZE

11831 50144 120344 19221 4879



PLATE 8812—FULL SIZE

49091 52084 52630 56003 64805



PLATE 8813—FULL SIZE

27398



2718



23258



126208



597



354



52045



50581



126207



PLATE 8814—ONE-FOURTH SIZE

11864

