

SINGER
142W25

Form 2566w

(639)

Printed in U. S. A.

LIST
OF
PARTS



MACHINE No. 142w25

THE SINGER MANUFACTURING COMPANY

INSTRUCTIONS FOR ORDERING

In ordering from this list, use ONLY the PART number in the FIRST column.

The number stamped on a Sewing Machine Part is the number of the Single Part only, except when the part includes Set Screws, Clamping Screws, Studs and Rollers Spun on, Small Wires riveted, or Parts soldered together, etc., which it is necessary to furnish in combination.

Every combination of parts sent out has its specific number which, although not stamped on Parts (except in above case), must be used when ordering the combination.

Each number always indicates the SAME PART in whatever list it appears, or for whatever Machine.

The letters after some of the numbers indicate the style of finish only, as follows:

- A. Hardened, Polished, Nickel Plated and Buffed.
- B. Polished, Nickel Plated and Buffed.
- C. Hardened only.
- D. Polished only.
- E. Soft, not polished.
- F. Hardened and Polished.
- H. Blued.
- J. Nickel Plated only.
- R. Merlized.
- X. Black Oxide.
- XC. Hardened and Black Oxide.
- Y. Blade Nickel only.

These letters MUST BE USED when they appear in the list and AFTER the number, as in the list.

In this series

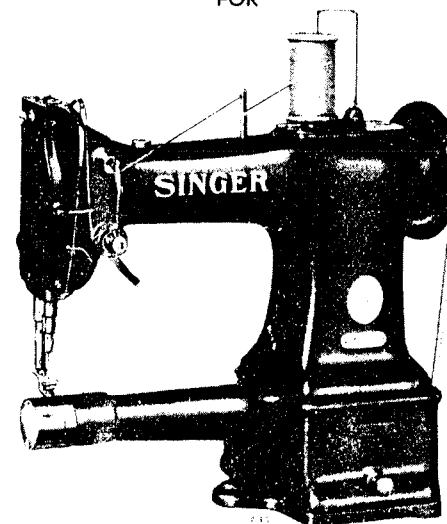
200001 to 201500 and 350001 to 351500 are Screw Numbers.
 201501 to 201800 and 351501 to 351800 are Nut Numbers.
 201801 to 202000 and 351801 to 352000 are Roller Numbers.
 202001 to 350000 are Numbers of Machine Parts.

The figures in the second column refer only to the plate in which the illustration of the part is shown and are TO BE USED in ordering.

Two or more numbers over a cut indicate that the difference between such parts is not visible in an illustration.

Parts marked with an asterisk (*) are furnished when repairs are made at the factory.

LIST OF PARTS COMPLETE FOR



MACHINE No. 142w25

HIGH SPEED. SHORT ARM. CYLINDER BED.
NO FEED MOTION.

For Darning and Repairing Shirts, Socks, Sweaters
and Similar Work.

The Presser Foot Rises Automatically After Each Stitch.

No.	Plate	Name
*241205	-----	Arm with 202135
203091	17021	" Cap
200278H	17021	" " Screw
202248	17021	" " " Washer
203089	17021	" " Spool Holder Base
203090	17021	Arm Cap Spool Holder Base 203089 with 200079H and 204296
200585H	17021	Arm Cap Spool Holder Base Screw
204296	17021	" " " " Wire
200079H	17021	" " " " " Hinge Screw
203092	17021	Arm Cap and Spool Holder complete, Nos. 203090, 203091 and two 200585H
204235	13686	Arm Position Pin (2)
200010E	13686	" Screw (3)
202005	13686	" " Washer (3)
233722	17021	" Shaft with 200357E and 224392

No.	Plate	Name
240802	17021	Arm Shaft Bushing (back) with 202244
202244	17021	" " " " Oil Packing (wick)
200330C	17021	Arm Shaft Bushing (back) Set Screw
207080	17021	" " " (front) with 202244
241206	17021	" " " " Oil Cup
202244	17021	" " " " " Packing (wick)
200341C	17021	Arm Shaft Bushing (front) Set Screw
202530	13681	" " Connection Belt
202252	13681	" " " " Pulley with 200327C, 200602E and two 202253
200602E	13681	Arm Shaft Connection Belt Pulley Position Screw
200327C	13681	Arm Shaft Connection Belt Pulley Set Screw
202253	13681	Arm Shaft Connection Belt Pulley Spring Flange
224392	17021	Arm Shaft Oil Packing (wick)
200357E	17021	" " " " Stop Screw
233723	17021	Balance Wheel (disc) (belt groove 2-1/2 in.diam.) with 200328C and 200335C
144D	17021	Balance Wheel Adjusting Screw
200328C	17021	" " Position Screw
200335C	17021	" " Set Screw
*241207	-----	Bed (cylinder)
241208	13686	" Base with 200364C
350426XC	13686	" " Clamping Thumb Screw
241209	13686	" " Hinge Pin
200364C	13686	" " " " Set Screw
202265	13682	Bobbin
*241272	-----	" Case
202267	13682	" " Latch
*202056	-----	" " Pin
202269	13682	" " Plunger
202270	13682	" " Spring
202716	13682	" " Tension Spring
200984C	13682	" " " " Regulating Screw
200594C	13682	" " " " Screw
241273	13682	Bobbin Case complete, Nos. 200594C, 200984C, 202056, 202267, 202269, 202270, 202716 and 241272
241210	13681	Cylinder End Cover
241228	13681	" " " 241210 with 201537E, 241211 and 350427D
241211	13681	Cylinder End Cover Cap
350427D	13681	" " " " Hinge Screw
201537E	13681	" " " " " Nut
200577XC	13681	" " " Screw

No.	Plate	Name
202274	13686	Face Plate
202135	13686	" " Position Pin
200462B	13686	" " Thumb Screw
241275	13682	Hook (sewing) with two 462C
241276	13682	" 241275 with 45761, 200145C, 200596F, 200614C and 206852
241277	13682	Hook and Bobbin Case complete, Nos. 241273 and 241276
206852	13682	Hook Gib
200614C	13682	" " Hinge Screw
200596F	13682	" " Screw
462C	13682	" Set Screw
241212	13681	" Shaft
202321	13681	" " Bushing (back)
241213	13681	" " " (front)
200347C	13681	" " " Set Screw (2)
202323	13681	" " Connection Belt Pulley with 202324 and two 201018C
201018C	13681	Hook Shaft Connection Belt Pulley Set Screw
202324	13681	Hook Shaft Connection Belt Pulley Spring Flange
45761	13682	Hook Washer
200145C	13682	" " Screw
202326	13683	Needle Bar with 200141F
202550	13683	" " Bushing
206880	13683	" " " 202550 with 202326
200352C	13683	" " Set Screw
233642	13683	" " Connecting Link
200558	13683	" " " " Oil Guard with 223655 and 224572
200161D	13683	Needle Bar Connecting Link Oil Guard Screw
223655	13683	Needle Bar Connecting Link Oiling Felt
224572	13683	" " " " " " "
		Rivet
*206891	-----	Needle Bar Connecting Stud
202329	13683	" " " " 206891 with 200086C and 202330
202330	13683	Needle Bar Connecting Stud Oil Packing (wick)
200086C	13683	Needle Bar Connecting Stud Pinch Screw
233627	13683	" " Crank with 200335C, 200383C, 200428C and 201012C
203172	13683	Needle Bar Crank Friction Washer
200428C	13683	" " " Position Screw
200335C	13683	" " " Set Screw

PARTS FOR MACHINE No. 142w25

No.	Plate	Name
200141F	13683	Needle Set Screw
244033	13684	Presser Bar (hollow)
202335	13684	" " 244033 with 200074F
241535	13684	" " Bushing (lower)
207072	13684	" " " (upper)
200352C	13684	" " " Set Screw (2)
222818	13684	" " Collar with 200050C
200050C	13684	" " " Pinch Screw
241214	13684	" " Lifting Bracket with 200054E
200054E	13684	" " " " Pinch Screw
241215	13683	" " " Crank with 202277
202277	13683	" " " " Oil Packing (wick)
201012C	13683	" " " " Position Screw
200383C	13683	" " " " Set Screw
241216	13684	" " " Fork
241217	13684	" " " Bushing
200352C	13684	" " " " Set Screw
241218	13684	" " " " Slide Block
204257	13684	" " Spring
241219	13684	" " Washer (leather)
241220	13684	" Foot
241221	13684	" " Finger Guard
200172H	13684	" " " " Screw
241222	13684	Presser Foot complete, Nos. 200172H, 241220 and 241221
200074F	13684	Presser Foot Screw
240022	13683	Take-up Lever
208557	13683	" " Driving Stud with 202277
202277	13683	" " " " Oil Packing (wick)
202400	13683	Take-up Lever Hinge Stud with 202423
202423	13683	" " " " Oil Packing (wick)
200383C	13683	Take-up Lever Hinge Stud Set Screw
208568	17021	" " Oil Leader
202254	17021	" " " " Packing (wick)
202401	13684	" " Oiling Felt
200132E	13684	" " " " Screw
244048	13685	Tension Disc (back)
244049	13685	" " (front)
202404	13684	" Release Plunger
202405	13685	" " Washer
241223	13684	" Releaser
200975F	13684	" " Hinge Screw
233743	13684	" " Spring
202407	13685	" Spring
263106	13685	" " Washer
200625F	13685	" Stud with 204925

PARTS FOR MACHINE No. 142w25

No.	Plate	Name
200061C	13685	Tension Stud Set Screw
204925	13685	" " Washer
201572B	13685	" Thumb Nut
263107	13685	Tension complete, Nos. 200625F, 201572B, 202405, 202407, 202410, 244048, 244049 and 263106
202410	13685	Thread Controller Spring
202411	13685	" " " Stop
200132E	13685	" " " " Screw
202412	17021	" Guide
202414	13685	" "
202415	13685	" "
202417	13685	" "
200582H	13685	" " Screw
200735H	13685	" " Set Screw
200397C	13685	" " " "
240034	13685	" Retainer
200366H	13685	" " Set Screw

Genuine Singer Needles should be used
in Singer Machines.
These Needles and their Containers
are marked with the
Company's Trade Mark "SIMANCO." 1

Needles in Containers marked
"For Singer Machines"
are not Singer made needles. 2

ACCESSORIES

No.	Plate	Name
202265	13682	Bobbin (5)
*225482	-----	" Case Screw Driver Blade
*225483	-----	" " " " Handle
225497	13686	Bobbin Case Screw Driver complete, Nos. 225482 and 225483
135 x 1	13683	Needles, six, size 16
51078	13686	Machine Bolt (3)
6055	13686	" " Washer (3)
241234	-----	" Cushion (felt) (3)
120342	13686	Oiler (copper plated) with 120343
120343	13686	" Spout (3-1/2 in. long)
*225484	-----	Screw Driver Blade
*225485	-----	" " Handle
225498	13686	Screw Driver complete (7-1/4 in. long) Nos. 225484 and 225485
225554	13686	Wrench (steel)

BOBBIN WINDER

(SWINGING AUTOMATIC, RIGHT HAND)

225453	17619	Frame with 202277 and 225438
225454	17619	" Hinge Pin
202277	17619	" Oil Packing (wick)
225438	17619	" " Well Cap
225455	17619	" Spring
225456	17619	" " Plunger
202473	17619	Pulley with 200380C
200380C	17619	" Set Screw
225381	17619	Spindle
225444	17619	Stop Latch
200056E	17619	" " Screw
225458	17619	" " Thumb Lever
225459	17619	" " " " Hinge Stud
225459	17619	" " " " Joint Stud
202478	17619	" " Trip Lever
200299H	17619	" " " " Hinge Screw
225461	17619	Tension Bracket with 201499B
200082D	17619	" " Screw
228026	17619	" " " Washer

ACCESSORIES

No.	Plate	Name
2102	17619	Tension Disc
202407	17619	" Spring
201499B	17619	" Stud
201572B	17619	" " Thumb Nut
225462	17619	Bobbin Winder Tension Bracket complete. Nos. 201572B, 202407, 225461 and two 2102
225423	17619	Bobbin Winder and Tension Bracket Base
225382	17619	Universal Bobbin Winder complete. Nos. 200056E, 200082D, 200299H, 202473, 202478, 225381, 225433, 225444, 225453 to 225456, 225458, 225462, 228026, two each 225459 and wood screws 3/4 in., No. 12, R. H. B.

CYLINDER END COVER
AND THREAD CUTTER

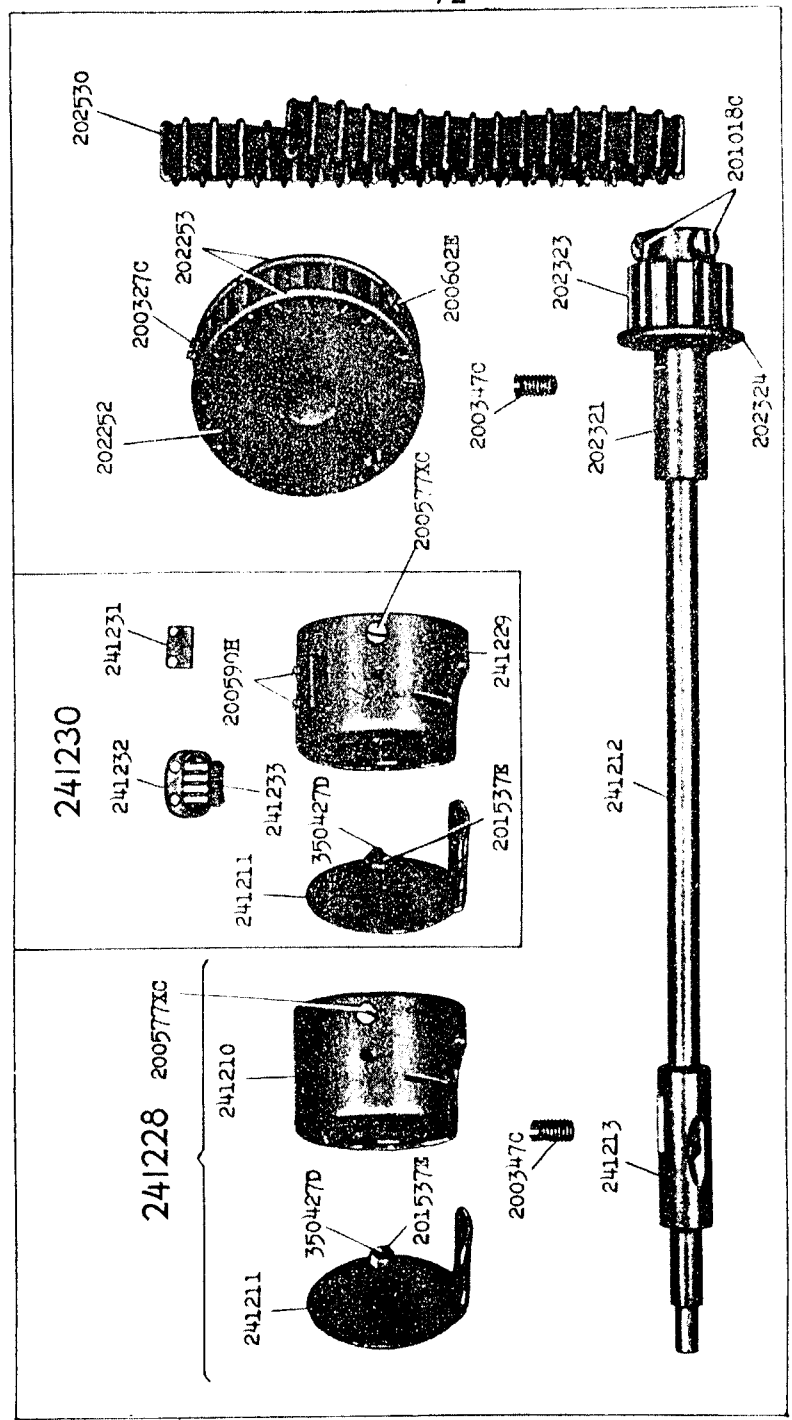
241229	13681	Cylinder End Cover
241211	13681	" " " Cap
350427D	13681	" " " " Hinge Screw
201537E	13681	" " " " " Nut
200577XC	13681	" " " Screw
241231	13681	Thread Cutter
241232	13681	" " Guard
200590H	13681	" " " Screw
241233	13681	" " Thread Holder (coiled wire)
241230	13681	Cylinder End Cover and Thread Cutter complete, Nos. 201537E, 241211, 241229, 241231 to 241233, 350427D and two 200590H

WORK PLATE

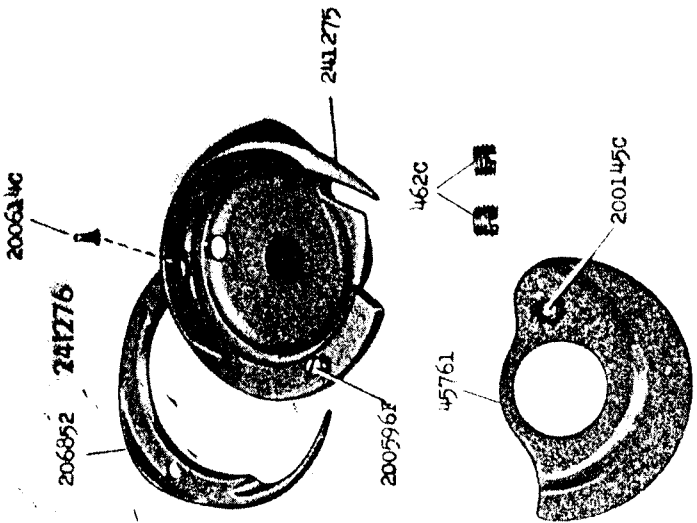
241224	13693	Work Plate
691F	13693	" " Screw
241226	13693	" " Yoke
200728B	13693	" " " Thumb Screw
241225	13693	Work Plate complete, Nos. 200728B, 241224, 241226 and two 691F

Genuine Singer Needles should be used
in Singer Machines.
These Needles and their Containers
are marked with the
Company's Trade Mark "SIMANCO." 1

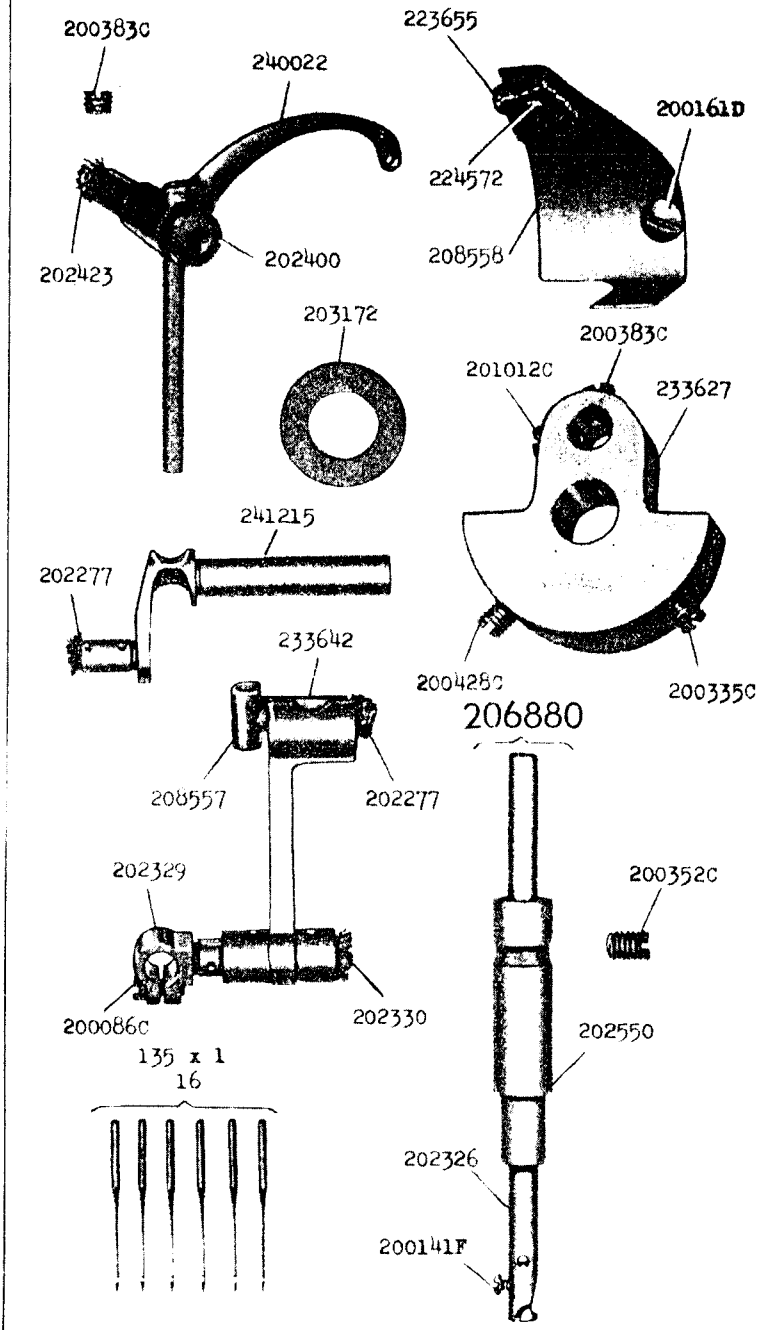
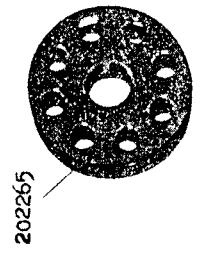
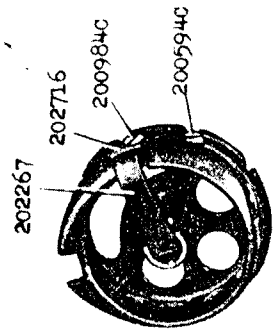
Needles in Containers marked
"For Singer Machines"
are not Singer made needles. 2



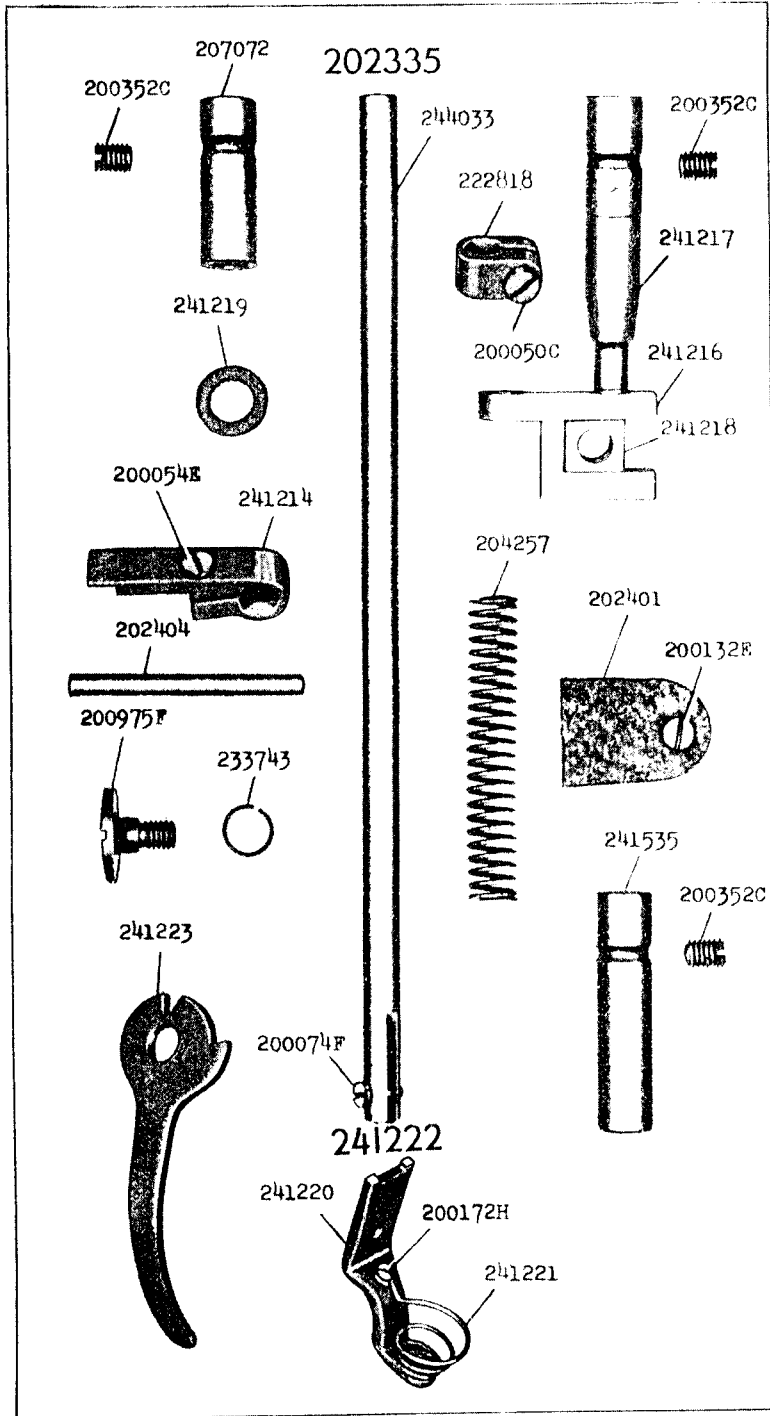
241277



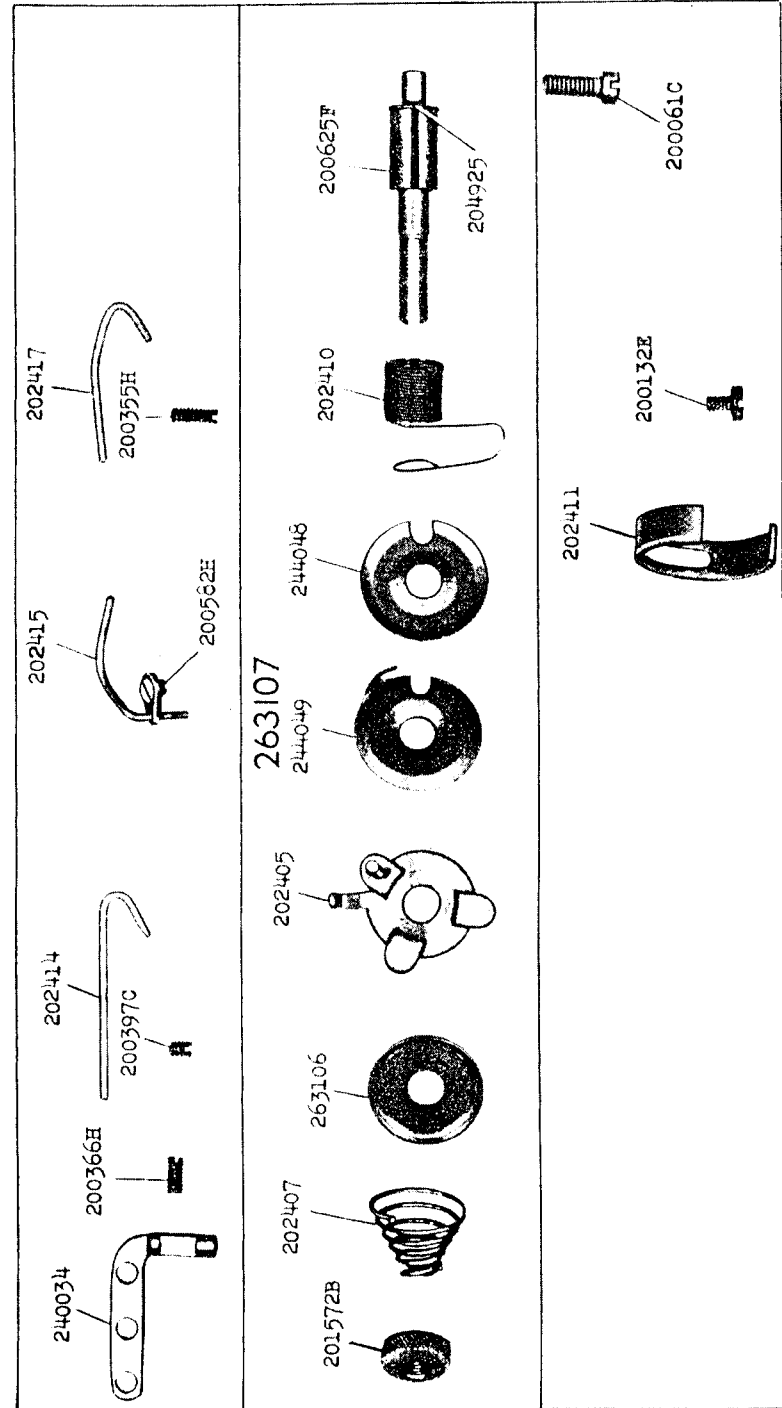
241273



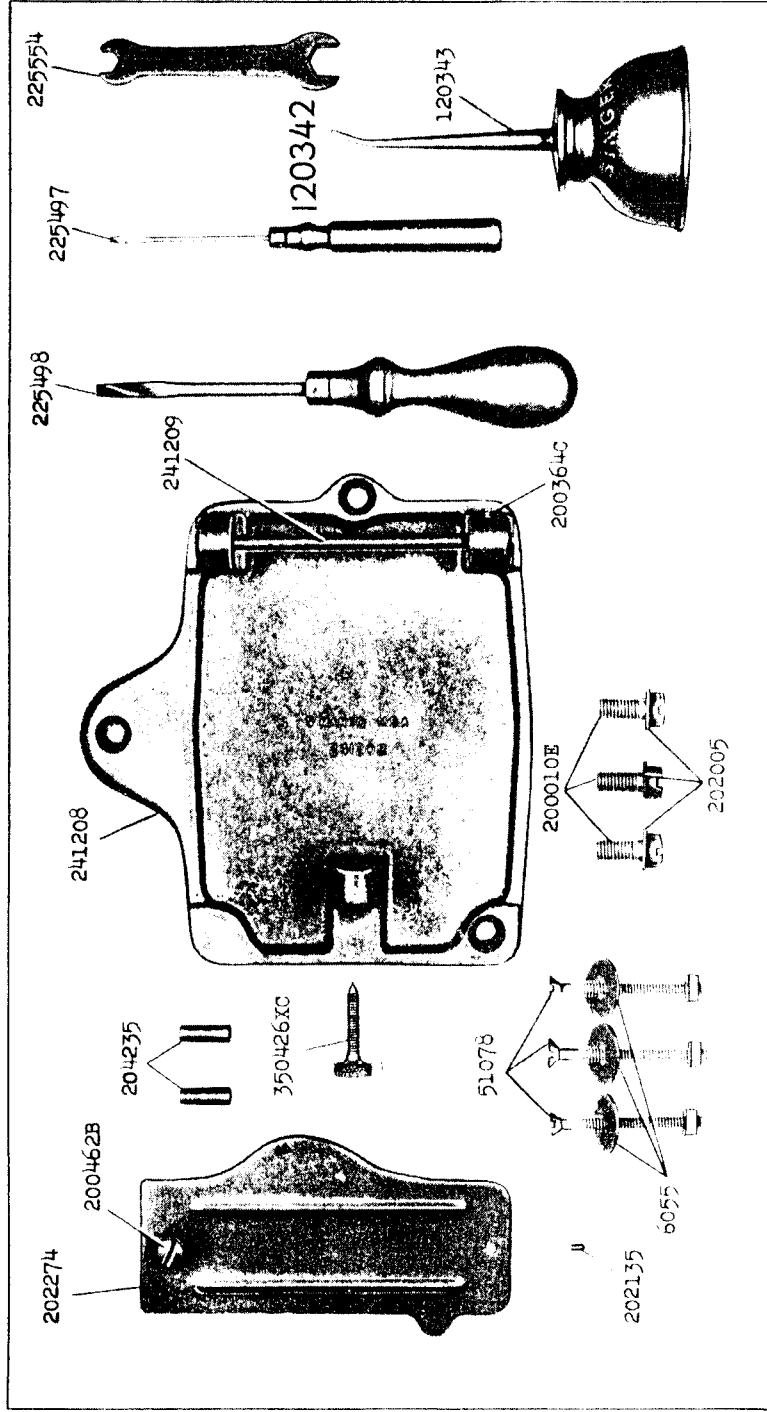
13684 - 5/8



13685 - 3/4



13686 - 1/3



13693 - 1/2

