

**SINGER**  
**138W102**

# LIST OF PARTS



## MACHINE No. 138w102

THE SINGER MANUFACTURING COMPANY

## INDEX

	Page
Accessories .....	15
Bobbin Winder .....	15
Knee Lifter .....	16
Machine No.138w102 .....	5
Miscellaneous Parts .....	18
Numerical List of Parts .....	19
Thread Unwinder .....	17
Wood Base.....	17
Work Plate .....	17

# INSTRUCTIONS FOR ORDERING

In ordering from this list, use ONLY the PART number in the FIRST column.

The number stamped on a Sewing Machine Part is the number of the Single Part only, except when the part includes Set Screws, Clamping Screws, Studs and Rollers Spun on, Small Wires riveted, or Parts soldered together, etc., which it is necessary to furnish in combination.

Every combination of parts sent out has its specific number which, although not stamped on Parts (except in above case), must be used when ordering the combination.

Each number always indicates the SAME PART in whatever list it appears, or for whatever Machine.

The letters after some of the numbers indicate the style of finish only, as follows:

- A. Hardened, Polished, Nickel Plated and Buffed.
- B. Polished, Nickel Plated and Buffed.
- C. Hardened only.
- D. Polished only.
- E. Soft, not polished.
- F. Hardened and Polished.
- H. Blued.
- J. Nickel Plated only.
- R. Merlized.
- X. Black Oxide.
- XC. Hardened and Black Oxide.
- Y. Blade Nickel only.

These letters MUST BE USED when they appear in the list and AFTER the number, as in the list.

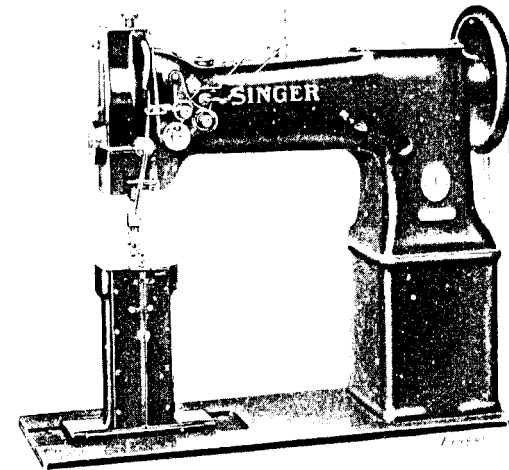
In this series:  
 200001 to 201500 and 350001 to 351500 are Screw Numbers.  
 201501 to 201800 and 351501 to 351800 are Nut Numbers.  
 201801 to 202000 and 351801 to 352000 are Roller Numbers.  
 202001 to 350000 are Numbers of Machine Parts.

The figures in the second column refer only to the plate in which the illustration of the part is shown and are NOT TO BE USED in ordering.

Two or more numbers over a cut indicate that the difference between such parts is not visible in an illustration.

Parts marked with an asterisk (\*) are furnished when repairs are made at the factory.

## LIST OF PARTS COMPLETE FOR



### MACHINE No. 138w102

HIGH SPEED. TWO NEEDLE.  
 COMPOUND FEED. ALTERNATING PRESSERS.  
 POST MACHINE.

FOR STITCHING BACK STAYS ON HEAVY UNLINED  
 SHOES AND TOP LACE BOOTS.  
 IN GAUGES FROM 3/32 TO 3/4 INCH.

No.	Plate	Name
*264150	-----	Arm with 202135
264002	-----	" Base
204235	16062	" " Position Pin (2)
200004E	16062	" " Screw (2)
202005	16062	" " " Washer (3)
224002	16051	" Cap
200278H	16051	" " Screw
202248	16051	" " " Washer
204235	16062	" Position Pin (2)
200004E	16062	" Screw (3)
202005	16062	" " Washer (3)
264151	16051	" Shaft with 224392 and 350431E
240802	16051	" " Bushing (back) with 202244
202244	16051	" " " " Oil Packing (wick)
200338C	16051	" " " " Set Screw
207080	16051	" " " (front) with 202244

No.	Plate	Name
202244	16051	Arm Shaft Bushing (front) Oil Packing (wick)
200502B	16051	Arm Shaft Bushing (front) Oil Packing Thumb Screw
200338C	16051	Arm Shaft Bushing (front) Set Screw
264004	16052	" " Connection Belt
224104	16052	" " " " Pulley with 200327C, 200602E and two 202253
200602E	16052	Arm Shaft Connection Belt Pulley Position Screw
200327C	16052	Arm Shaft Connection Belt Pulley Set Screw
202253	16052	Arm Shaft Connection Belt Pulley Spring Flange
224113	16053	Arm Shaft Connection Belt Timing Collar with 200113F
200113F	16053	Arm Shaft Connection Belt Timing Collar Set Screw
224139	16053	Arm Shaft Connection Belt Timing Plate
200164B	16053	" " " " " " " " Screw (2)
224392	16051	Arm Shaft Oil Packing (wick)
350431E	16051	" " " " Stop Screw
237577	16051	Balance Wheel (belt groove 4 in. diam.) with two 200338C
200338C	16051	Balance Wheel Set Screw
*264005	-----	Bed with 54897
202258	16052	" Hinge Connection (2)
200570E	16052	" " " " Screw (4)
54897	16053	" Oil Cup
264113	16053	" " Guard with 223814
223814	16053	" " " Felt
200096D	16053	" " " Screw (2)
203208	16055	Bobbin
235769	16055	" Case Base with 202056, 203211 to 203213 and 203216
203211	16055	Bobbin Case Base Latch
*202056	-----	" " " " Pin
203212	16055	" " " " Plunger
203213	16055	" " " " Spring
241676	16055	" " Cap with 200594C, 200934C, 235771, 241674, 241675 and two 350405C
234079	16057	Bobbin Case Lever
234065	16057	" " " Driving Block
200076D	16057	" " " " " Screw
201272C	16057	" " " Hinge Screw
241674	16055	" " Oiling Felt
241675	16055	" " " Retainer
350405C	16055	" " " " " Screw

No.	Plate	Name
235771	16055	Bobbin Case Tension Spring
200934C	16055	" " " " " Regulating Screw
200594C	16055	Bobbin Case Tension Spring Screw
203216	16055	" " Washer (cloth)
241677	16055	Bobbin Case complete, Nos. 235769 and 241676
240179	16062	Face Plate with 201650H and 350432XC
202135	16062	" " Position Pin
200473B	16062	" " Thumb Screw
264006	16054	Feed Bar
264007	16054	" " 264006 with 200040C, 224052 and 225837
350393C	16054	Feed Bar Hinge Screw (driving)
201519E	16054	" " " " Nut
264010	16056	" Dog, 46 needle hole, for needle sizes 16 and 18, in gauges 3/16 and 7/32 in., for 264101
264011	16056	Feed Dog, 46 needle hole, for needle sizes 16 and 18, in gauges from 1/4 to 13/32 in., in steps of 1/32 in., for 264102
264012	16056	Feed Dog, 46 needle hole, for needle sizes 16 and 18, in gauges 1/8 and 5/32 in., for 264103
264013	16056	Feed Dog, 50 needle hole, for needle sizes 14 and 15, in 3/32 in. gauge, for 264103
264031	16056	Feed Dog Lever
200263D	16056	" " " Hinge Screw
201528D	16056	" " " " " Nut
264032	16056	" " " Post
264033	16056	" " " " 264032 with 200943F, 201525E, 203624, 264031, 264035 and two 200098E
264034	16056	Feed Dog Lever Post Oil Guard (2)
200132E	16056	" " " " " Screw (2)
200024C	16056	" " " " " Screw (4)
203637	16056	" " " " " Washer (4)
203624	16056	" " " Retainer Washer
200098E	16056	" " " " " Screw
264035	16056	" " " Slide Block
200943F	16056	" " " " " Hinge Screw
201525E	16056	" " " " " " " Nut
200098E	16056	" " " Screw
264008	16052	" Driving Connection with 200049D and 202277
201171C	16052	Feed Driving Connection Hinge Screw
201517E	16052	" " " " " Nut
202277	16052	" " " " " Oil Packing (wick)

No.	Plate	Name
202277	16052	Feed Driving Connection Oil Packing (wick)
200049D	16052	Feed Driving Connection Pinch Screw
202300	16052	" " Eccentric Regulating Bracket
224107	16052	" " " " " "
		202300 with 224108, two each 200256C and 201525E
224108	16052	Feed Driving Eccentric Regulating Bracket Flange with 200383C and 200437C
200437C	16052	Feed Driving Eccentric Regulating Bracket Flange Position Screw
200383C	16052	Feed Driving Eccentric Regulating Bracket Flange Set Screw
200256C	16052	Feed Driving Eccentric Regulating Bracket Hinge Screw
201525E	16052	Feed Driving Eccentric Regulating Bracket Hinge Screw Nut
237001	16052	Feed Driving Eccentric Regulating Bracket Plunger
237002	16052	Feed Driving Eccentric Regulating Bracket Plunger Spring
200607C	16052	Feed Driving Eccentric Regulating Bracket Plunger Spring Stop Screw
200256C	16052	Feed Driving Eccentric Regulating Bracket Stop Screw
201525E	16052	Feed Driving Eccentric Regulating Bracket Stop Screw Nut
200429C	16052	Feed Driving Eccentric Regulating Screw
200383C	16052	" " " " " "
		Check Screw
223650	16054	Feed Driving Rock Shaft
264009	16054	" " " " 223650 with 201518E, 264007 and 350393C
223652	16054	Feed Driving Rock Shaft Crank with 200019E
200019E	16054	Feed Driving Rock Shaft Crank Pinch Screw
202625	16054	" " " " Stop Collar with two 200383C (2)
200383C	16054	Feed Driving Rock Shaft Stop Collar Set Screw
224154	16053	Feed Lifting Cam with 201220C
224052	16054	" " " Fork with 200173D and 223655
200040C	16054	Feed Lifting Cam Fork Screw
225837	16054	" " " " Washer
223655	16054	" " " Oiling Felt
200173D	16054	" " " " Screw
201220C	16053	" " " Set Screw

No.	Plate	Name
224122	16051	Feed Regulating Spindle with 202311, 202443 and 202619
*202311	-----	Feed Regulating Spindle Head
202443	16051	" " " " Pin
202619	16051	" " " " Position Pin
*221214	-----	Hook (sewing)
221216	16055	" 221214 with 201253F, 201376F and 203251
264152	16055	Hook and Bobbin Case complete, Nos. 221216 and 241677
223867	16053	Hook Driving Gear (spiral) with 200362C and 201222C (2)
201222C	16053	Hook Driving Gear Position Screw
200362C	16053	" " " Set Screw
224110	16053	" " Shaft
224111	16053	" " " Bushing (back) with 202244
202244	16053	Hook Driving Shaft Bushing (back) Oil Packing (wick)
200327C	16053	Hook Driving Shaft Bushing (back) Set Screw
264038	16053	Hook Driving Shaft Bushing (center)
200335C	16053	" " " " " Set Screw
264039	16053	Hook Driving Shaft Bushing (front)
200327C	16053	" " " " " Set Screw
224112	16053	Hook Driving Shaft Connection Belt Pulley with 202253 and two 201254C
201254C	16053	Hook Driving Shaft Connection Belt Pulley Set Screw
202253	16053	Hook Driving Shaft Connection Belt Pulley Spring Flange
203251	16055	Hook Gib
201376F	16055	" " Hinge Screw
201253F	16055	" " Screw
264040	16057	" Post
264153	16057	" " 264040 with 200555H, 201272C, 221222, 224021, 234065, 234079, 249072, 264152, 264156, two each 200076D and 200900H
264154	16057	Hook Post 264153 with 221215, 264044, 264046, two 264048 and eight 200583H
264155	16057	Hook Post 264153 with 221215, 264045, 264047, two 264048 and eight 200583H
200159F	16056	Hook Post Clamping Screw (2)
264044	16057	" " Cover Plate (back) (inside)
264045	16057	" " " " " (outside)



No.	Plate	Name
201522E	16052	Needle Bar Rock Frame Rock Shaft Crank Connection Hinge Screw Nut
202277	16052	Needle Bar Rock Frame Rock Shaft Crank Connection Oil Packing (wick)
200029E	16058	Needle Bar Rock Frame Rock Shaft Crank Pinch Screw
202668	16058	Needle Bar Rock Frame Slide Block
210920	16058	" " " " " " 202668 with 201141C
201141C	16058	Needle Bar Rock Frame Slide Block Screw Stud
200387C	16058	Needle Bar Rock Frame Slide Block Screw Stud Set Screw
200141F	16059	Needle Set Screw
208566	16060	Presser Bar with 200074F
235871	16060	" " Bushing (lower)
207072	16060	" " " (upper)
200352C	16060	" " " Set Screw (2)
202554	16060	" " Lifter
200653C	16060	" " " Hinge Screw
208555	16060	" " Lifting Bracket with 200054E
200975F	16060	" " " " Guide Screw
200054E	16060	" " " " Pinch Screw
202337	16060	" " Position Guide
202338	16060	" " " " Lever with 200086F
200086F	16060	Presser Bar Position Guide Lever Pinch Screw
200352C	16060	Presser Bar Position Guide Set Screw
240172	16062	" " Spring (flat) (heavy)
210949	16060	" " " Bracket with 200086C
200086C	16060	" " " " Pinch Screw
201410F	16062	" " " Regulating Screw
200948F	16062	" " " Support Screw
234144	16059	Take-up Lever
202399	16059	" " Driving Stud with 202277
202277	16059	" " " " Oil Packing (wick)
202400	16059	Take-up Lever Hinge Stud with 202423
202423	16059	" " " " Oil Packing (wick)
200383C	16059	Take-up Lever Hinge Stud Set Screw
223702	16061	Tension Bracket with two each 201224B and 236060
200159F	16061	Tension Bracket Screw
248217	16061	Tension Bracket complete, Nos. 200978H, 201199F, 223702, 223703, 223706, 237174, two each 200309E, 204271, 223438, 223704 three 201572B and four 244048

No.	Plate	Name
244048	16061	Tension Disc
236060	16061	" " Position Pin
223703	16061	" Release Lever
235576	16060	" " " Rod
200309E	16061	" " " Screw
223704	16061	" " Plunger
240141	16060	" " Slide
240142	16060	" " " Spring
204271	16061	" " Washer
223438	16061	" Spring
201224B	16061	" Stud
201572B	16061	" Thumb Nut
223706	16061	Thread Controller Disc
200978H	16061	" " " Screw
237174	16061	" " Spring
241360	16061	" " " Stop
200132E	16061	" " " " Screw
201199F	16061	" " Stud with 204925
200061C	16061	" " Set Screw
201572B	16061	" " Thumb Nut
204925	16061	" " Washer
224028	16051	" Guide
224040	16061	" " "
210955	16061	" " (upper)
200582H	16061	" " Screw (3)
241755	16062	" Lubricator Oil Pad (felt)
237845	16062	" " " " Holder
240439	16062	" " " Retainer
241758	16062	" " " Reservoir
241759	16062	" " " Wick
350432XC	16062	" " Screw
201650H	16062	" " " Nut
214838	16062	" " " Washer
237846	16062	Thread Lubricator complete, Nos. 214838, 237845, 240439, 241755, 241758 and 241759
240034	16061	Thread Retainer (2)
200366H	16061	" " Set Screw (2)
264103	16056	Throat Plate, for 264012 and 264013, in gauges 3/32, 1/8 and 5/32 inch
264101	16056	Throat Plate, for 264010, in gauges 3/16 and 7/32 inch
264102	16056	Throat Plate, for 264011, in gauges from 1/4 to 13/32 in., in steps of 1/32 inch
200577XC	16056	Throat Plate Screw (2)
240183	16060	Vibrating Presser Bar
240184	16060	" " " Connecting Link
240185	16060	" " " Extension with 204264 and 240186

No.	Plate	Name
240186	16060	Vibrating Presser Bar Extension Collar
204264	16060	" " " " " Pin
202277	16060	" " " Oil Packing (wick)
240188	16060	" " " Spring
350299C	16060	" " " Thumb Screw (pressure regulating)
237190	16060	Vibrating Presser Foot, 40 needle hole, in gauges from 1/8 to 11/32 in., in steps of 1/32 in., with 200086F, for 237178
237191	16060	Vibrating Presser Foot, 40 needle hole, in gauges from 3/8 to 3/4 in., in steps of 1/32 in., with 200086F, for 237179
200086F	16060	Vibrating Presser Foot Pinch Screw

Genuine Singer Needles should be used in Singer Machines. These Needles and their Containers are marked with the Company's Trade Mark "SIMANCO." 1

Needles in Containers marked "For Singer Machines" are not Singer made needles. 2

## ACCESSORIES

No.	Plate	Name
203208	16055	Bobbins (10)
*225482	-----	Bobbin Case Screw Driver Blade
*225483	-----	" " " " Handle
225497	16063	Bobbin Case Screw Driver complete, Nos. 225482 and 225483
126 x 10	16059	Needles, four each, sizes 19, 20 and 23
224121	16644	Drip Pan, 20 in. long with four 1 in. wire nails
41400	16063	Machine Rest Pin (wood)
120342	16063	Oiler (copper plated) with 120343
120343	16063	" Spout, 3-1/2 in. long
11831	16063	Screw Driver (5 in. blade) (machine, large)
225498	16063	" " (7-1/4 in. long)
225554	16063	Wrench (steel)

## BOBBIN WINDER

(SWINGING AUTOMATIC, RIGHT HAND)

259428	16615	Brake (leather)
259429	16615	" Clamp
200113F	16615	" " Screw
225453	16615	Frame with 202277 and 225438
225454	16615	" Hinge Pin
202277	16615	" Oil Packing (wick)
225438	16615	" " Well Cap
225455	16615	" Spring
225456	16615	" " Plunger
225368	16615	Pulley with 200380C
200380C	16615	" Set Screw
225381	16615	Spindle
225444	16615	Stop Latch
200056E	16615	" " Screw
225458	16615	" " Thumb Lever
225459	16615	" " " " Hinge Stud
225459	16615	" " " " Joint Stud
202478	16615	" " Trip Lever
200299H	16615	" " " " Hinge Screw
225461	16615	Tension Bracket with 201499B
200082D	16615	" " Screw



No.	Plate	Name
228026	16615	Tension Bracket Screw Washer
2102	16615	" Disc
13710	16615	" Spring
201499B	16615	" Stud
201572B	16615	" " Thumb Nut
225462	16615	Bobbin Winder Tension Bracket complete, Nos.13710,201572B,225461 and two 2102
259430	16615	Bobbin Winder and Tension Bracket Base
259431	16615	Universal Bobbin Winder complete,Nos. 200056E,200082D,200113F,200299H,202478 225368,225381,225444,225453 to 225456, 225458,225462,228026,259428 to 259430, two each 225459 and wood screws 3/4 in. No.12,R.H.B.

## KNEE LIFTER

228359	16643	Rock Lever with two 350231C
228360	16643	" " Bracket with 200347C and three wood screws 7/8 in.,No.12
228361	16643	Rock Lever Bracket 228360 with 228359, 228363,228367 and 228386
228362	16643	Rock Lever Extension with 200529C
350231C	16643	" " " " Set Screw
228363	16643	" " Hinge Pin
228364	16643	" " Knee Plate with 350231C
228369	16643	" " " " Arm
350231C	16643	" " " " " Set Screw
350231C	16643	" " " " " Set Screw
228365	16643	" " Rod
200529C	16643	" " " " Set Screw
228386	16643	" " Spring
228367	16643	" " Stop Stud
200347C	16643	" " " " Set Screw
228368	16643	Knee Lifter complete,Nos.228361,228362, 228364,228365 and 228369

(Other Knee Lifter parts are listed with parts  
of machine head.)

## THREAD UNWINDER:

No.	Plate	Name
225259	16257	Spool Rest (for one spool) (flat) with 201018C
225257	16257	Spool Rest (for two spools) (flat) with 201018C
150203	16257	Spool Rest Cushion (felt)
225388	16257	" " Rod
200383C	16257	" " " Set Screw
201018C	16257	" " Set Screw
202490	16257	" Stand with 200383C
225391	16257	Thread Guide
201696J	16257	" " Lock Nut
225326	16257	" " Position Cup
225324	16257	" Rod with 208E and 225322
208E	16257	" " " Screw
225322	16257	" " " Washer
259143	16257	Thread Umwinder (for three spools) com- plete,Nos.201696J,202490,225257,225259 225324,225326,225388,three each 150203 225391 and wood screws 7/8 in.,No.12

## WORK PLATE

264116	16064	Work Plate with two 200347C
200019E	16064	" " Arm Screw
202622	16064	" " " " Washer
200347C	16064	" " Set Screw
213860	16064	" " Slide (back or front)
264117	16064	Work Plate complete,Nos.200019E,202622, 264116 and two 213860

## WOOD BASE

227493	16064	Machine Hinge Plate 202259 with two wood screws 7/8 in.,No.12H
225589	16064	Machine Rest or Cushion (leather)
228307	16064	Base Wood with two 227493,four 225589 and nine wood screws 1-1/2 in.,No.7

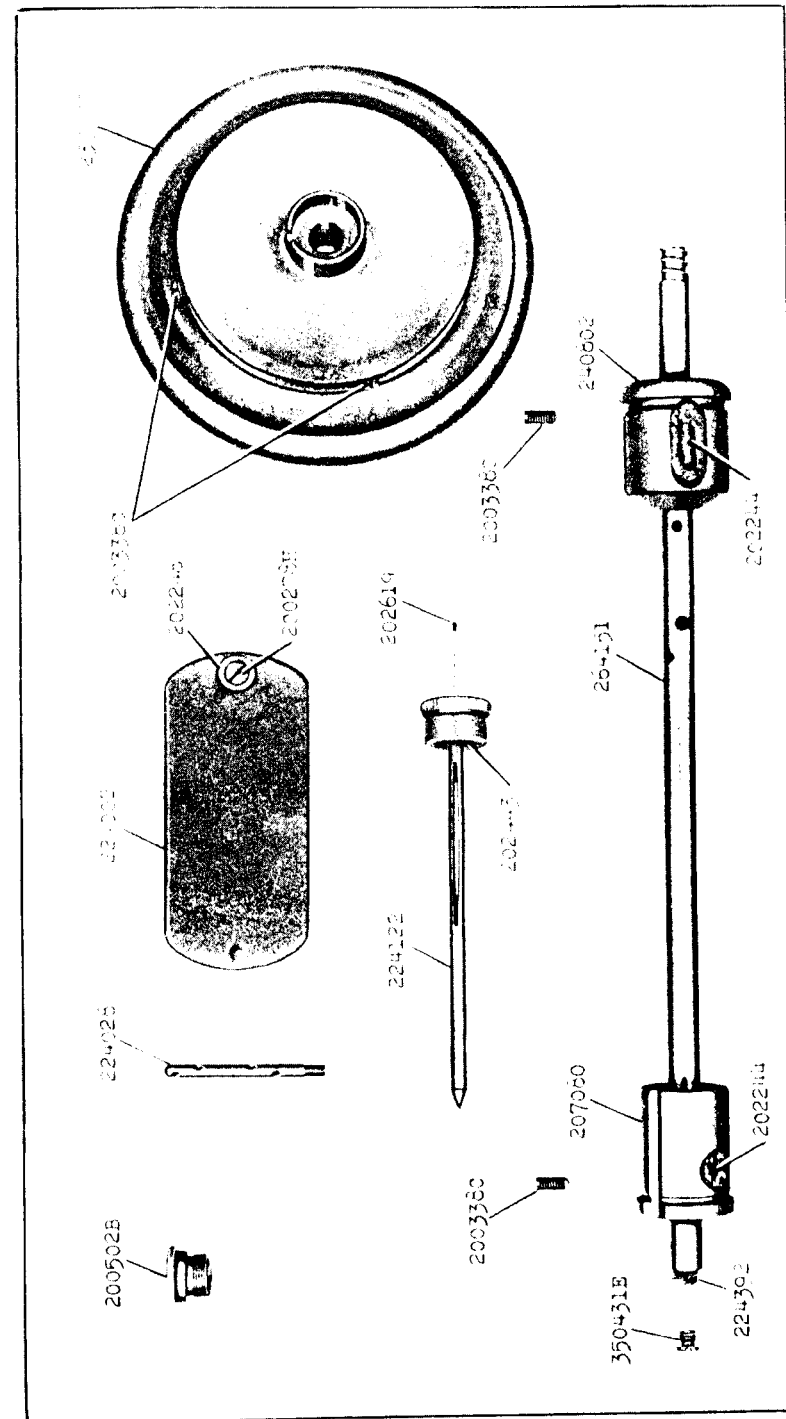
## MISCELLANEOUS PARTS

No.	Plate	Name
60913	16257	Spool Weight with 60914
60914	16257	" " Center Pin
225377	16257	" Wire (for small spools)
27739	16257	Thread Cone (wood)
225390	16257	" " Holder

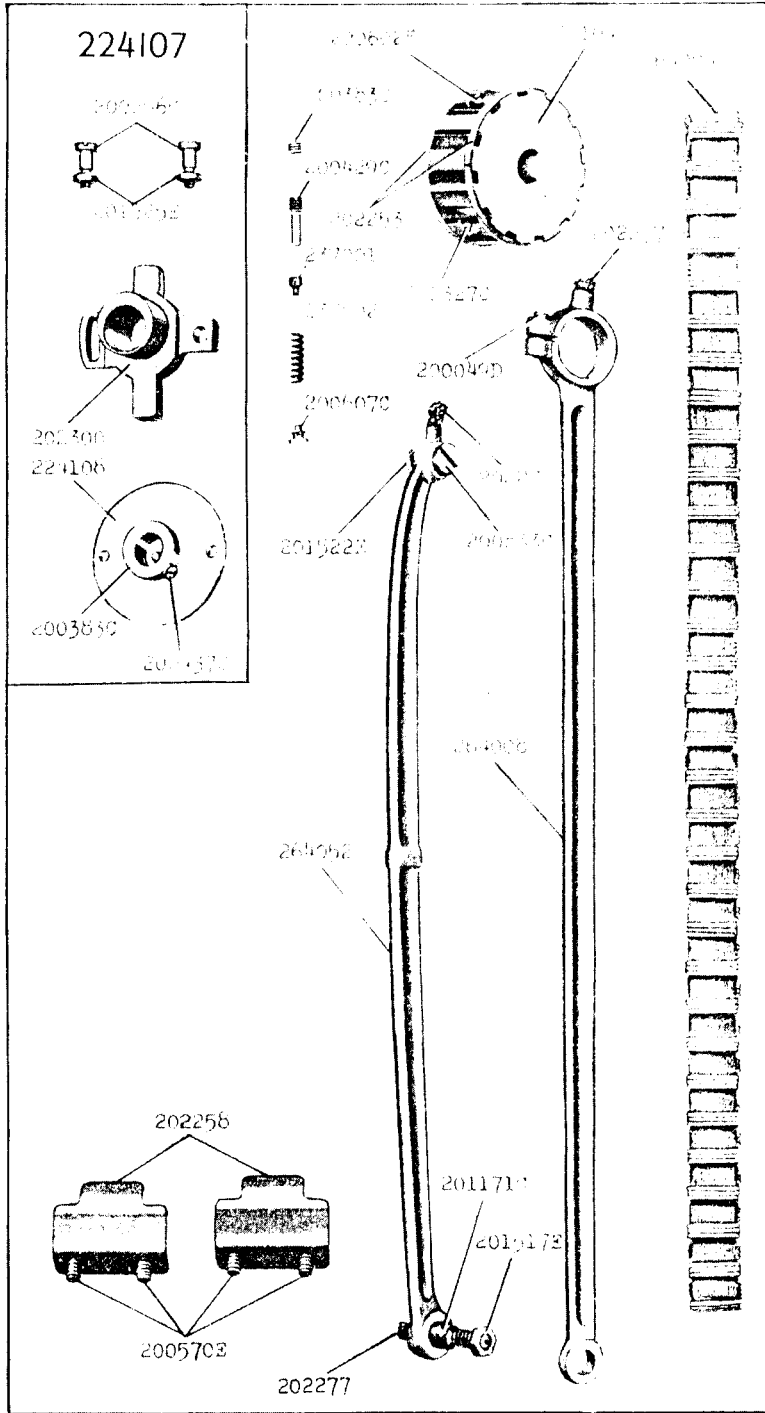
Genuine Singer Needles should be used  
in Singer Machines.  
These Needles and their Containers  
are marked with the  
Company's Trade Mark "SIMANCO." 1

Needles in Containers marked  
"For Singer Machines"  
are not Singer made needles. 2

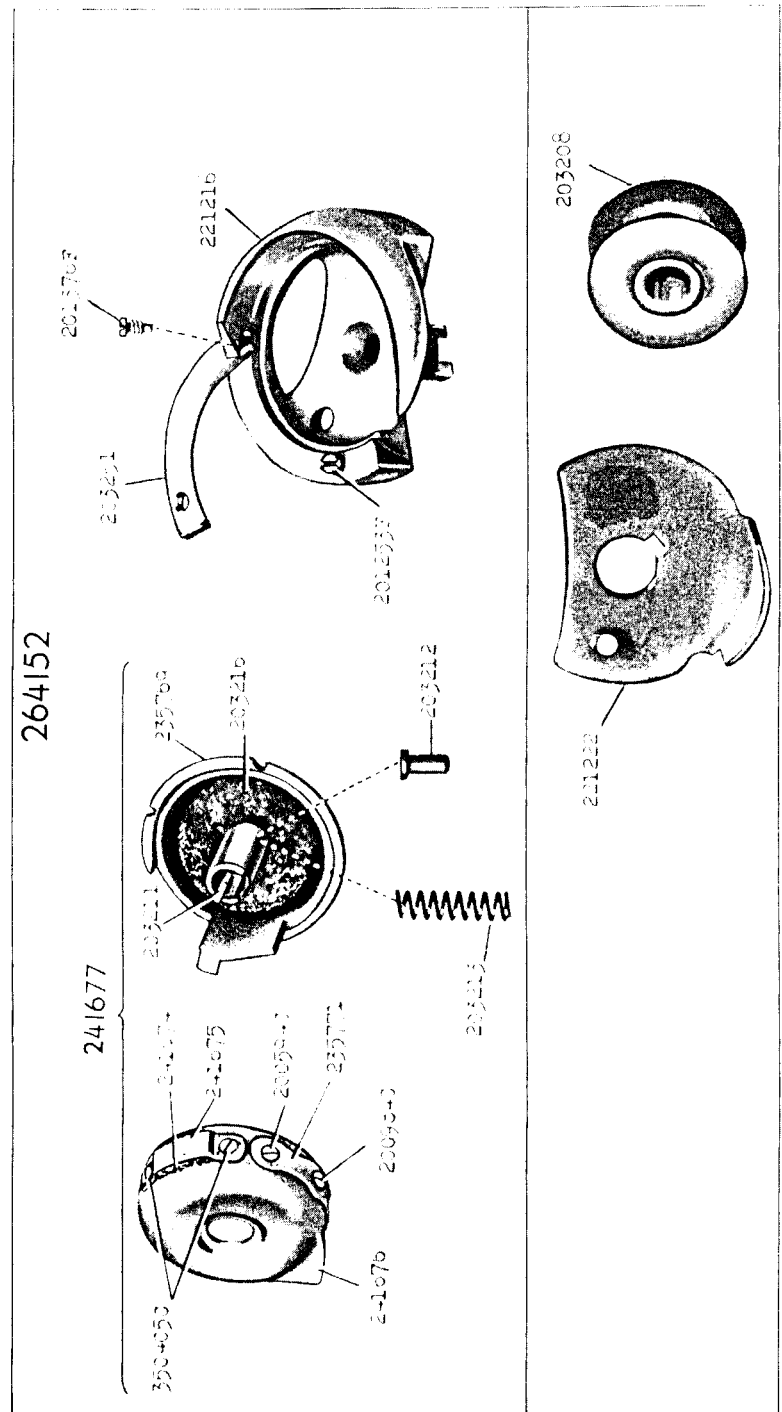
16051 - 1/3



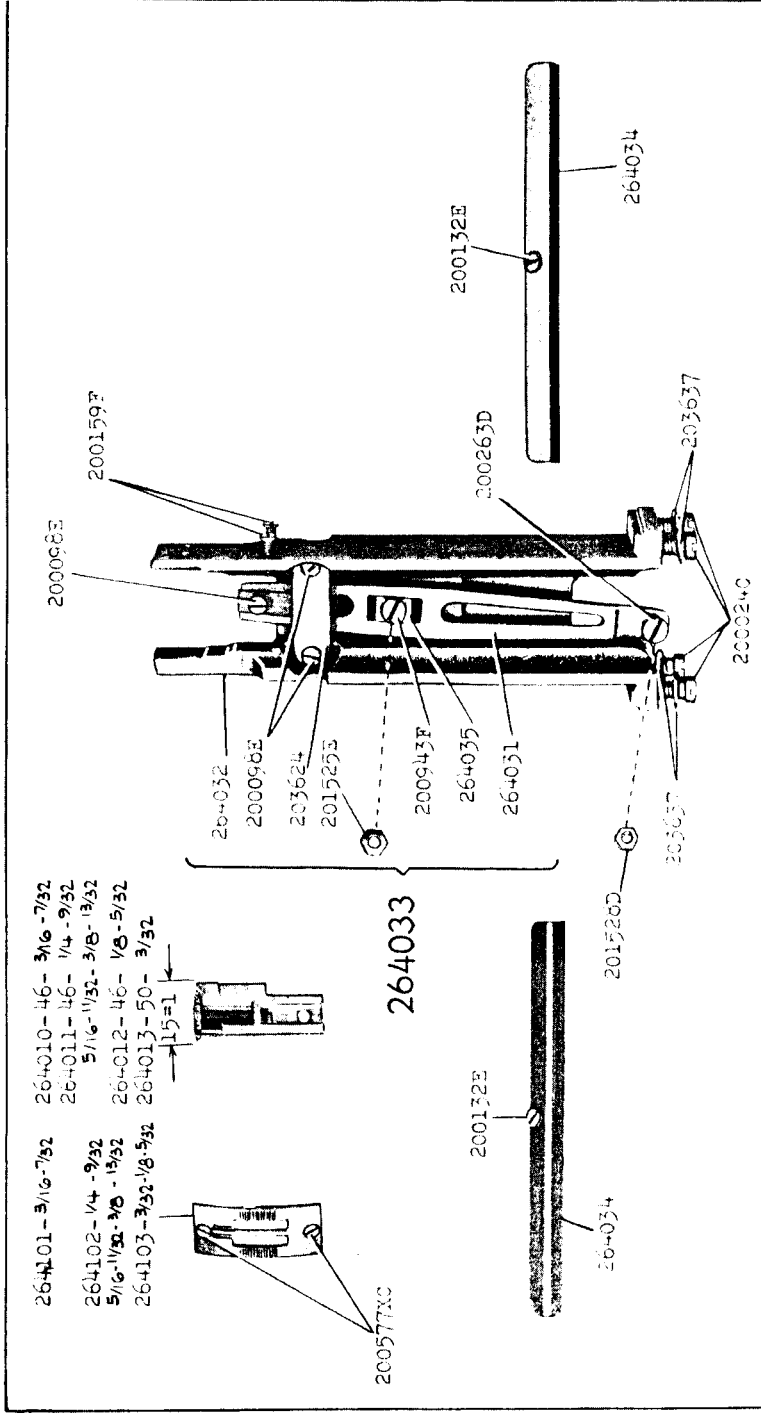
16052 - 1/3



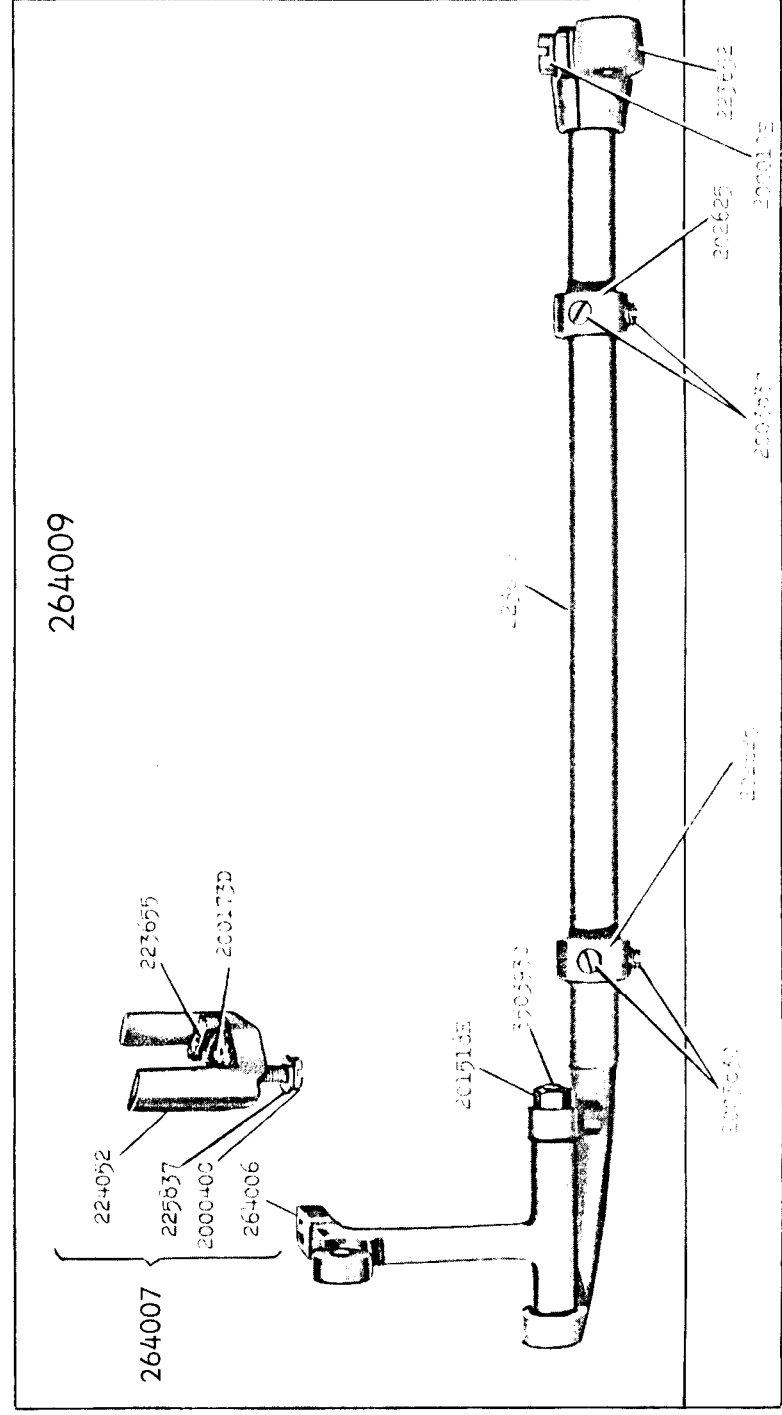
16055



16056 - 3/8

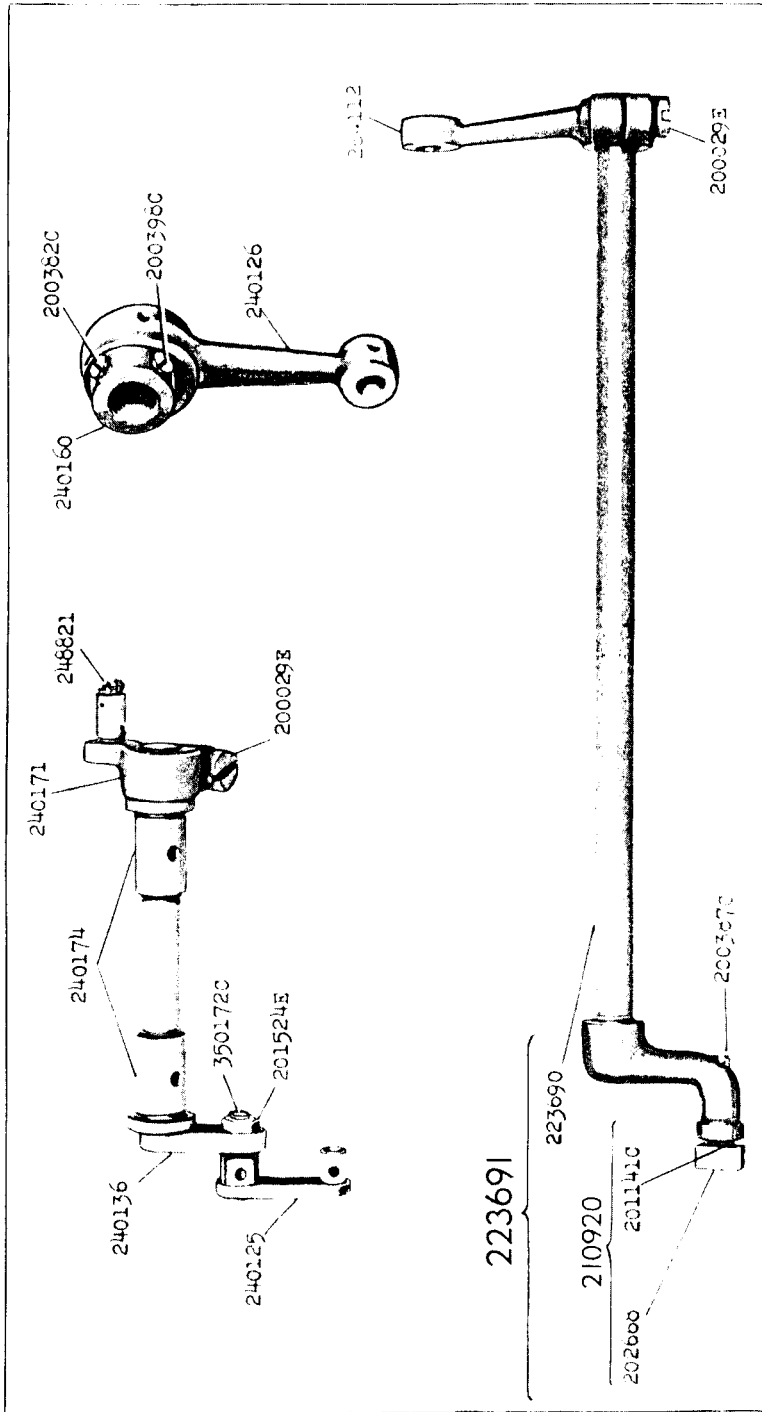


16054 - 1/2

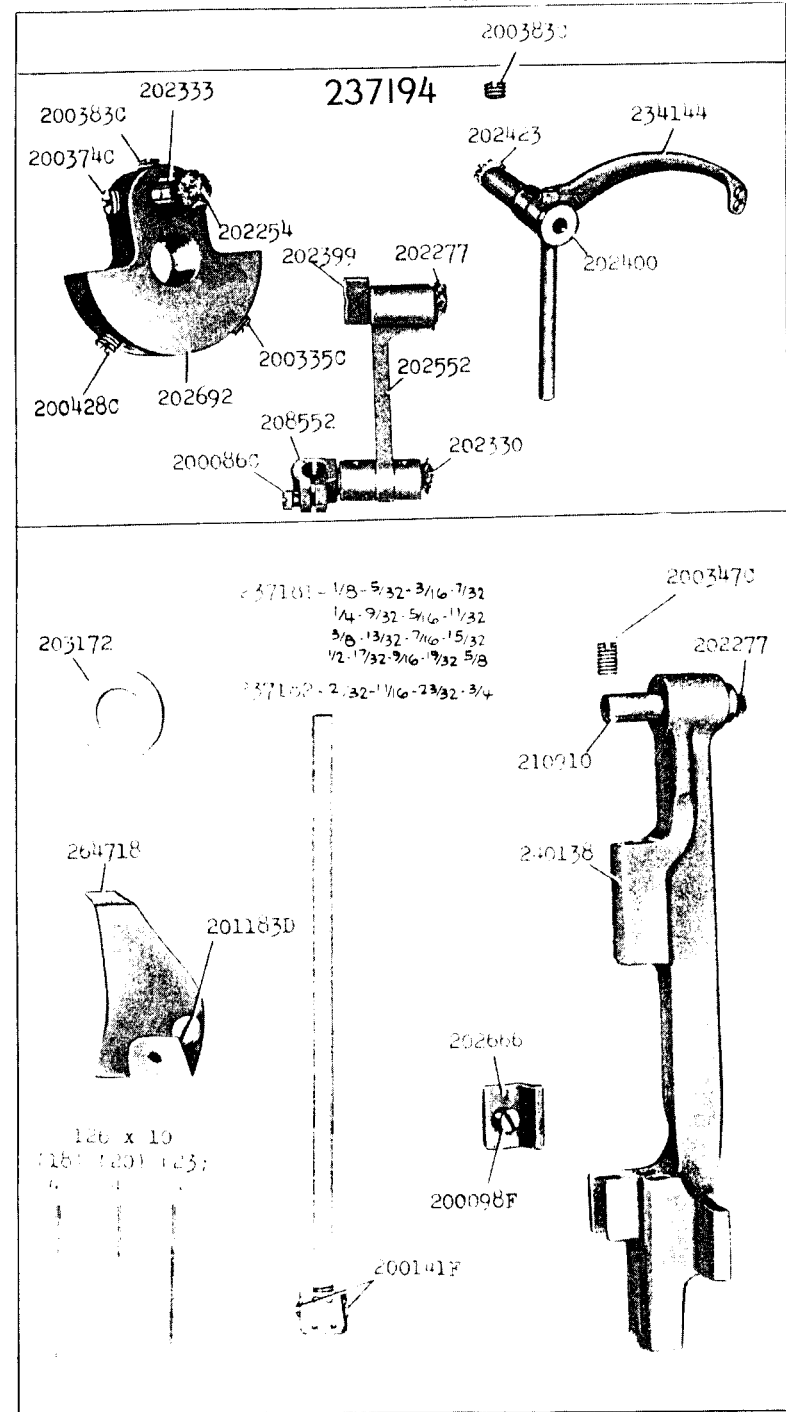




16058 - 1/2

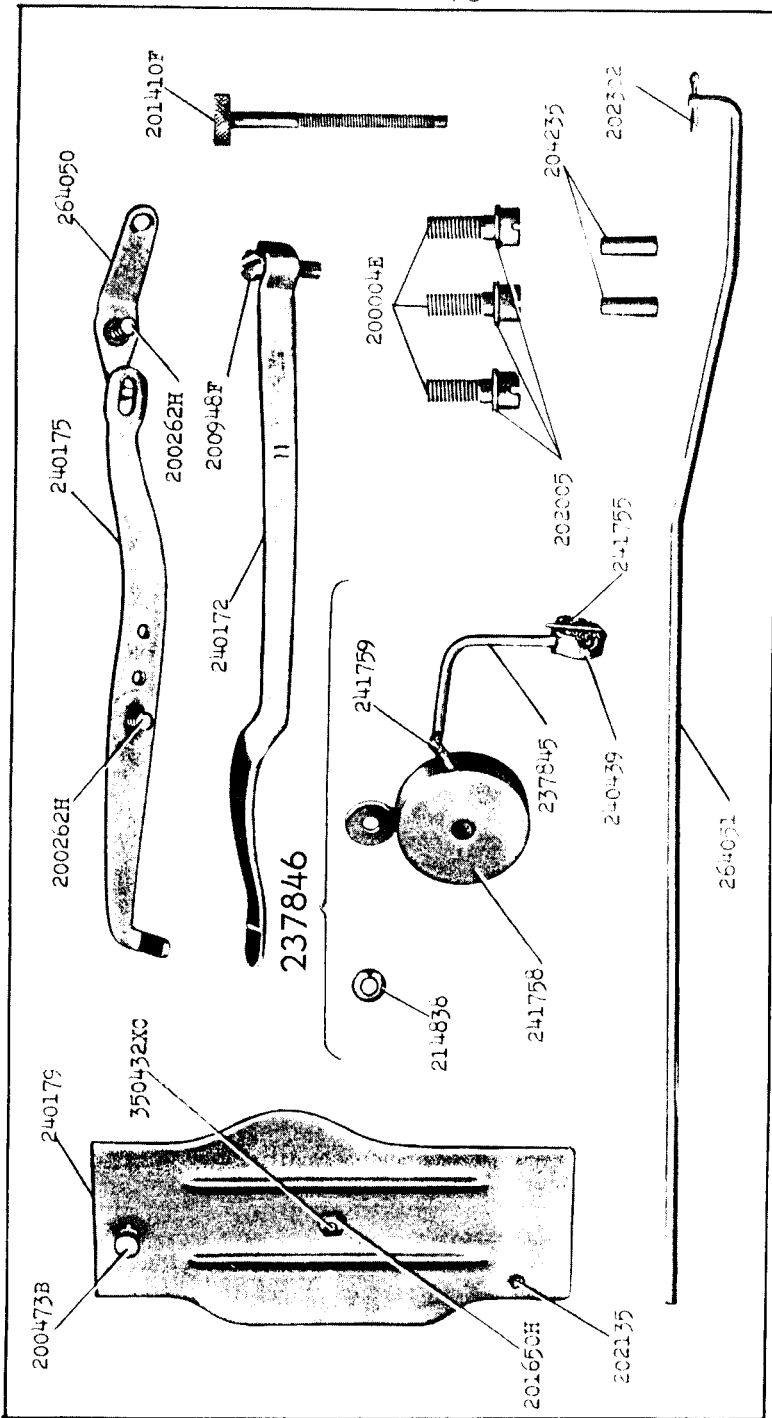


16059 - 1/2

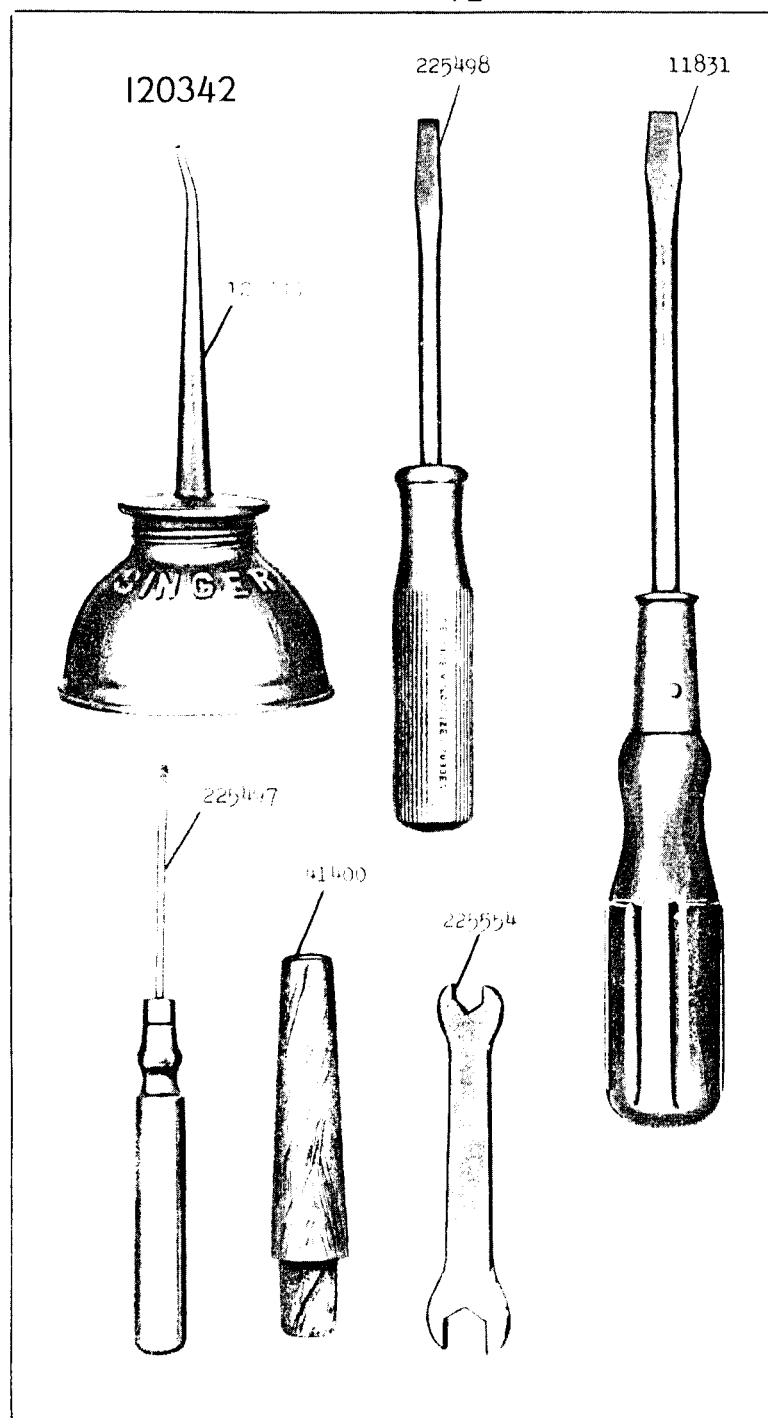




16062 - 3/8

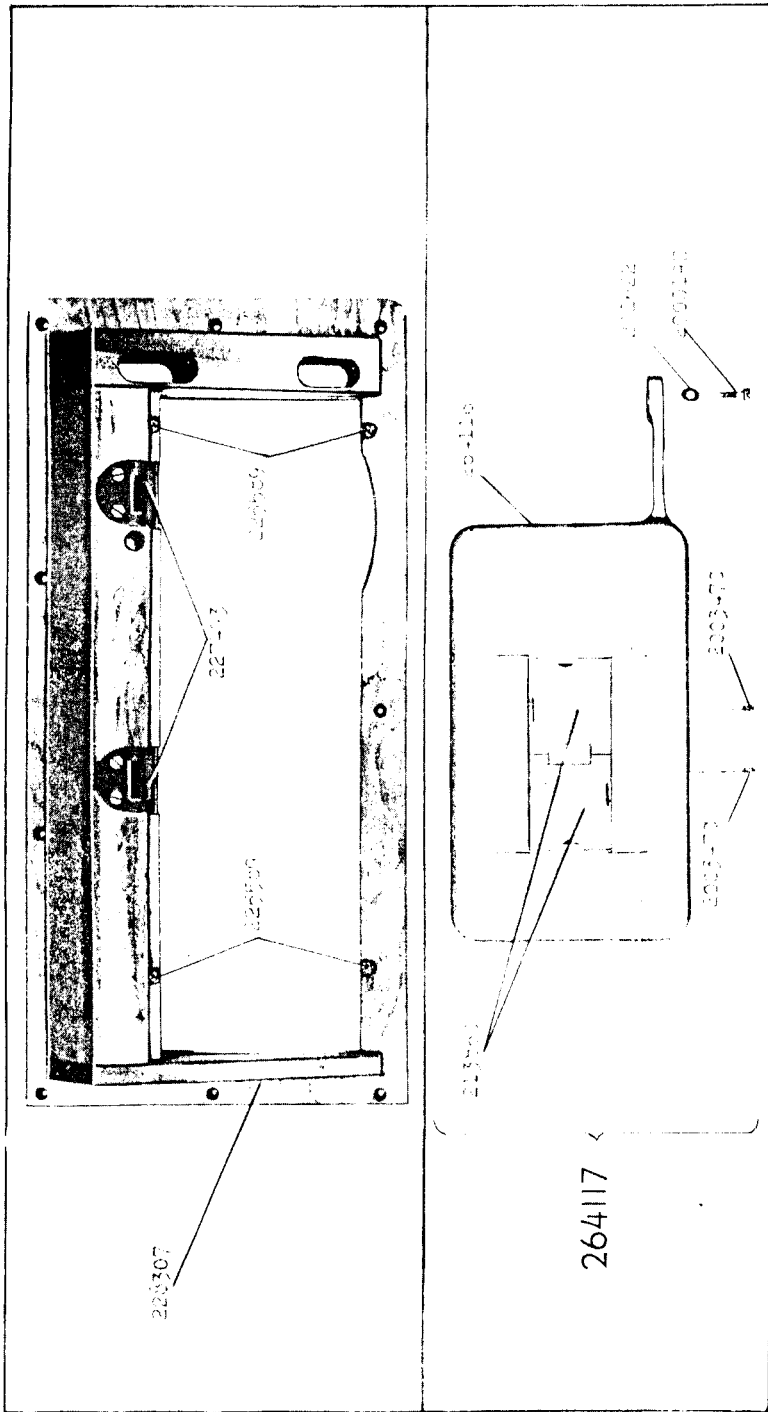


16063 - 1/2



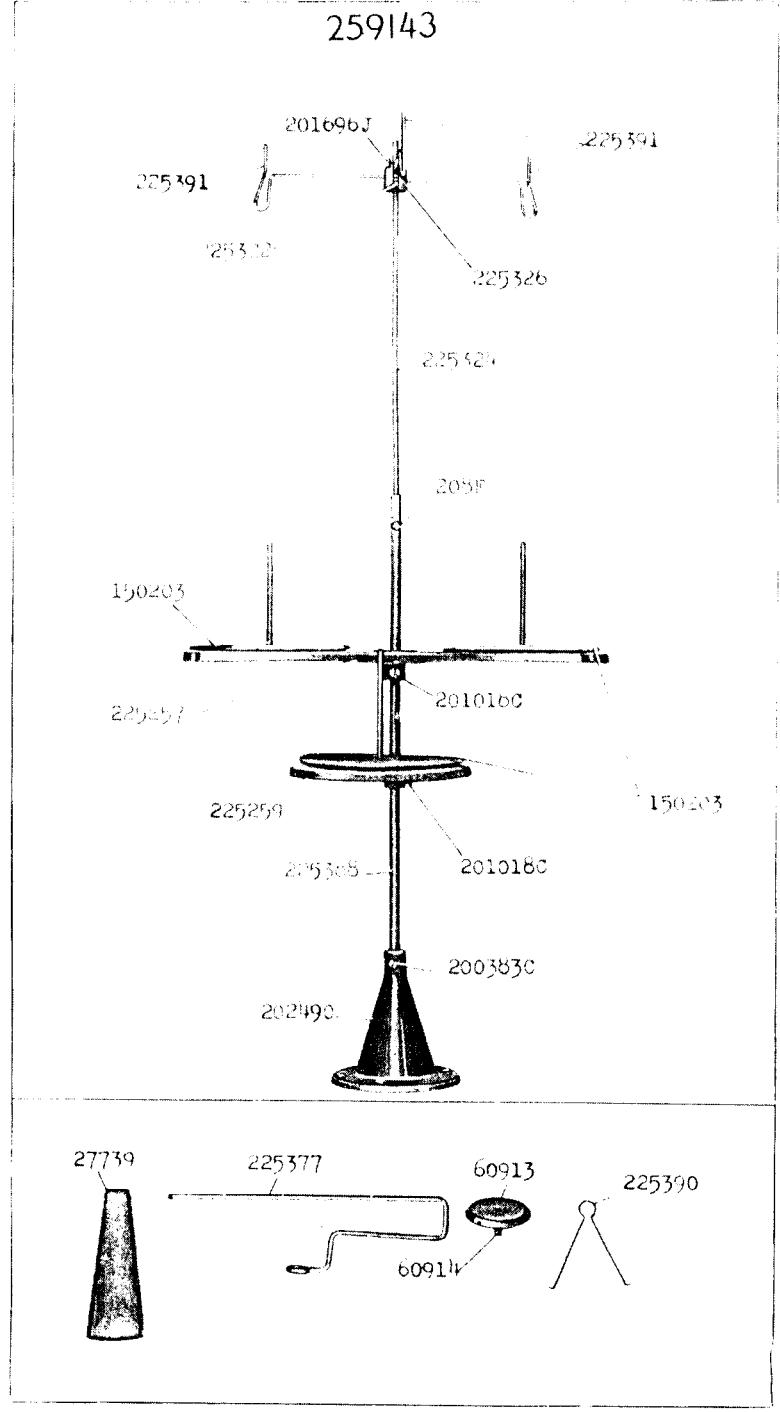


16064 - 1/6

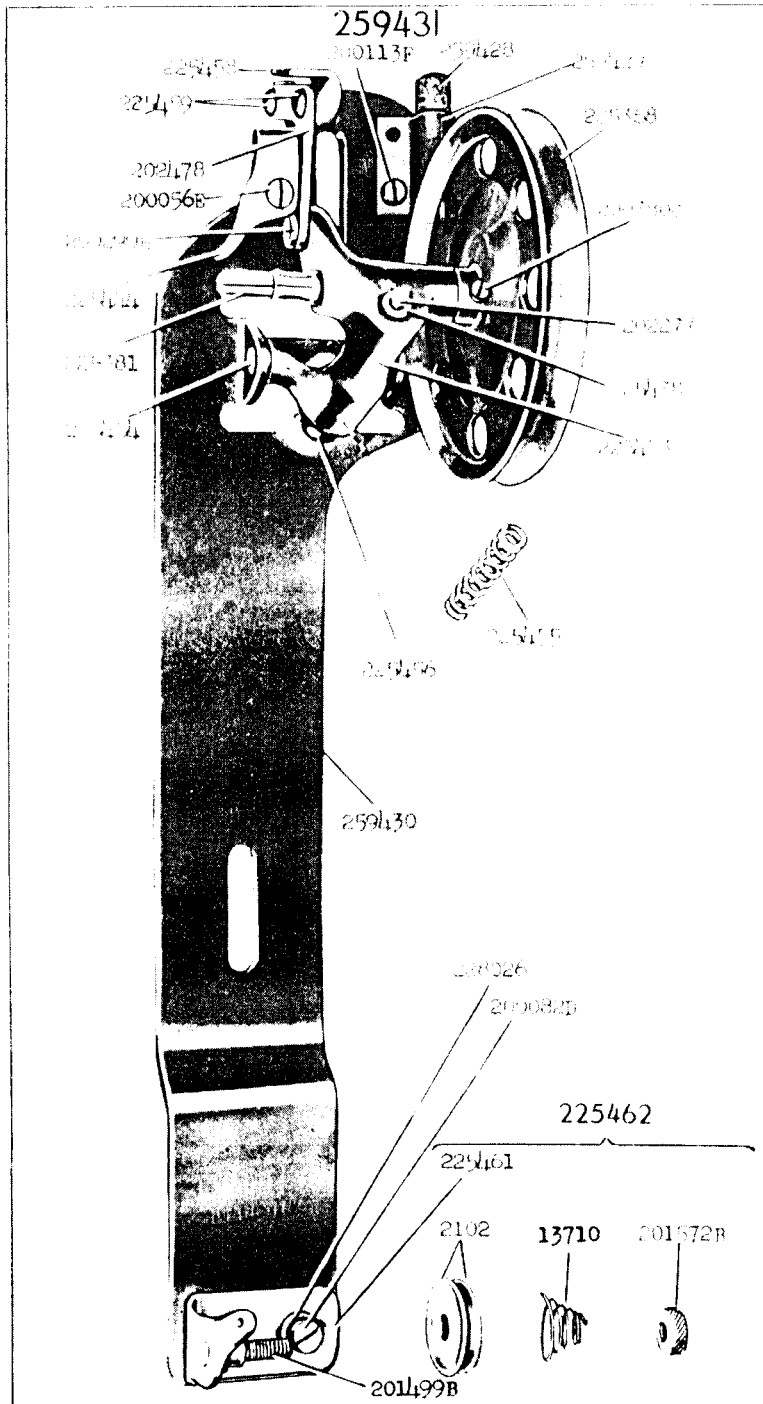


16257 - 1/6

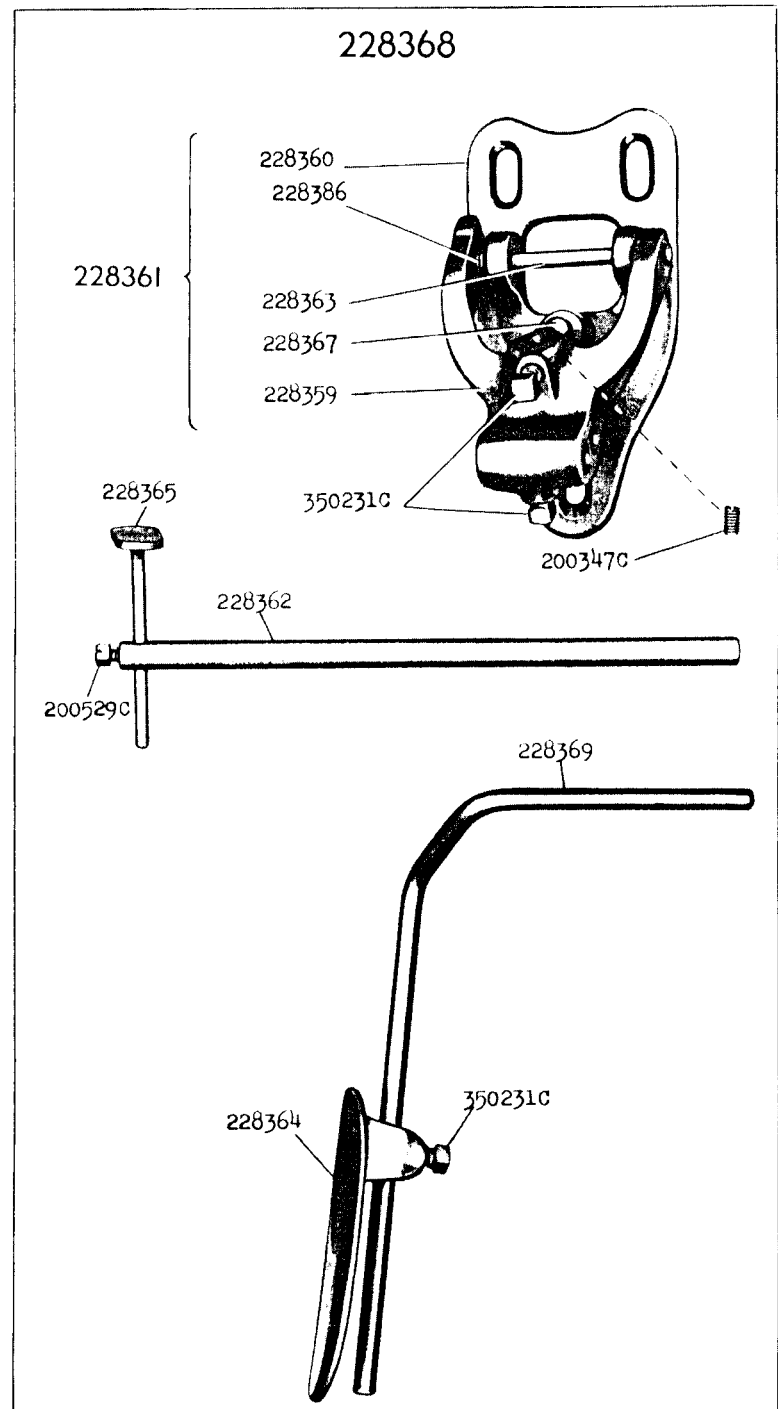
259143



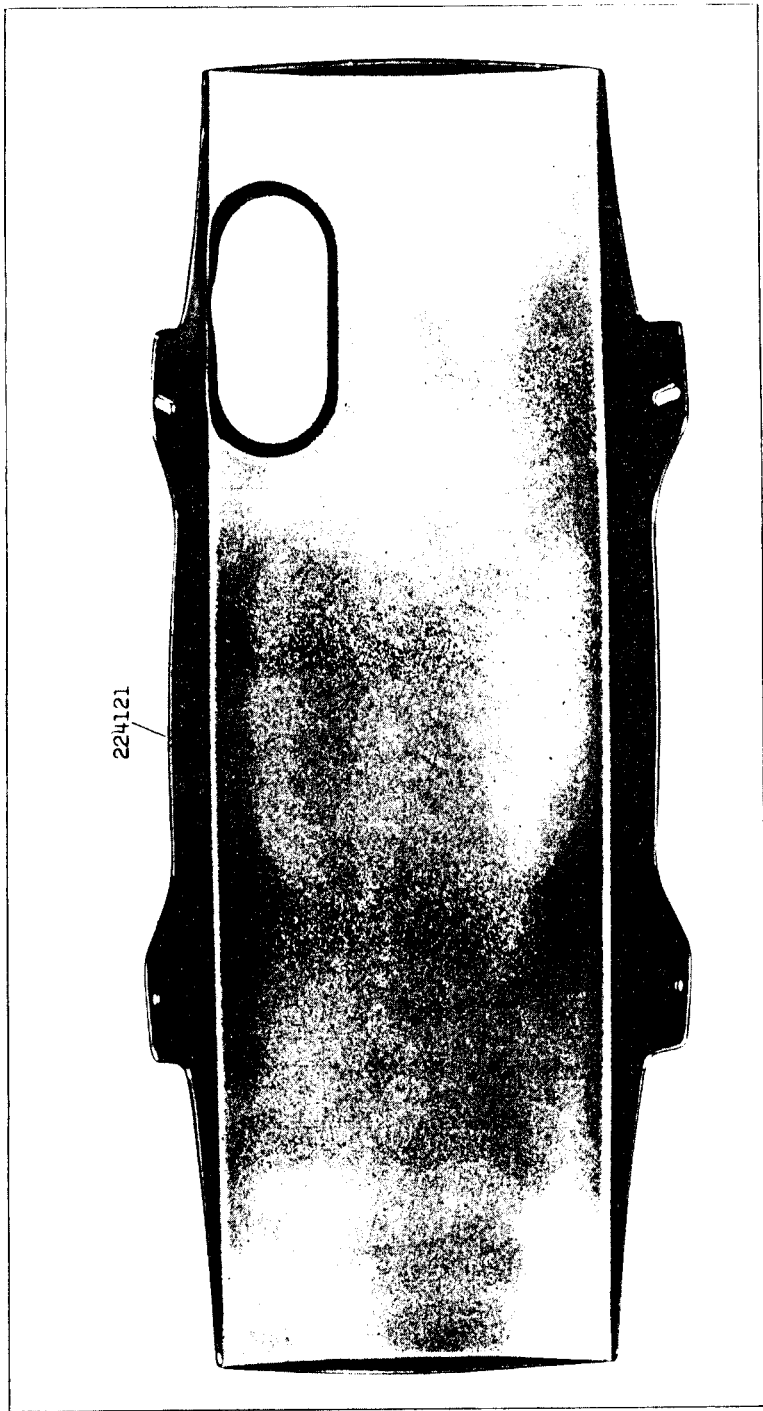
16615 - 1/2



16643 - 3/8



16644 - 1/3



224121