

Form 8203  
April, 1915

# PRICE LIST

OF

# PARTS



## MACHINES

Nos. 62-25 to 62-32, 62-35  
to 62-51 and 62-53

---

THE SINGER MANUFACTURING COMPANY

COPYRIGHT, 1915, BY THE SINGER MANUFACTURING CO.

## INDEX

	PAGE
ATTACHMENTS AND ACCESSORIES.....	206
BINDERS.....	206
BINDER ON SHANK.....	207
CUTTER GRINDER PARTS.....	216
EDGE FOLDERS.....	208
"    GUIDES.....	209
FOLDERS.....	210
FOOT LIFTER PARTS.....	217
HEMMERS ON SHANK.....	211
KNEE LIFTER PARTS.....	218
KNIFE GRINDER PARTS.....	220
LAP SEAM FELLERS.....	220
"    "    GUIDE.....	212
MACHINE NO. 62-25.....	213
"    "    62-26.....	9
"    "    62-27.....	17
"    "    62-28.....	24
"    "    62-29.....	31
"    "    62-30.....	39
"    "    62-31.....	47
"    "    62-32.....	54
"    "    62-35.....	61
"    "    62-36.....	69
"    "    62-37.....	76
"    "    62-38.....	83
"    "    62-39.....	88
"    "    62-40.....	91
"    "    62-41.....	98
"    "    62-42.....	105
"    "    62-43.....	114
"    "    62-44.....	121
"    "    62-43.....	130
"    "    62-44.....	139

## INDEX—(Continued)

	PAGE
MACHINE NO. 62-45.....	146
“ “ 62-46.....	155
“ “ 62-47.....	162
“ “ 62-48.....	170
“ “ 62-49.....	177
“ “ 62-50.....	185
“ “ 62-51.....	193
“ “ 62-53.....	199
NUMERICAL LIST OF PARTS.....	237
OBSOLETE PARTS.....	227
STAY GUIDE.....	211
STRIP FOLDERS.....	213
TAPE HOLDERS.....	214, 215
THREAD UNWINDERS.....	221
UNDER DRIVERS.....	223
WELT GUIDE (ADJUSTABLE).....	216

## INSTRUCTIONS FOR ORDERING

In ordering from this list, use **ONLY** the **PART** number in the **FIRST** column.

The number stamped on a Sewing Machine part is in every case the number of the single part only.

Every combination of parts sent out as such has its specific number, which, although not stamped on the parts, must be used when ordering the combination.

Each number always indicates the **SAME PART** in whatever list it appears, or for whatever machine.

The letters after some of the numbers indicate the style of finish only, as follows:

- A. Hardened, Polished and Plated.
- B. Polished and Plated.
- C. Hardened only.
- D. Polished only.
- E. Soft, not Polished.
- F. Hardened and Polished.
- G.
- H. Blued.
- J. Plated only.
- K. Hardened and Plated.
- L. Brass or Gilt.
- M. Oxidized.

These letters **MUST BE USED** *when* they appear in the list, and **AFTER** the number *as* in the list.

In this series

1 to 1500 and 50001 to 51500 are Screw Numbers.

1501 to 1800 are Nut Numbers.

1801 to 2000 are Roller Numbers.

2001 to 50000 and 52001 and upward are numbers of Machine Parts.

The figures in the second column refer only to the plates, illustrating the parts, and are **NOT TO BE USED** in ordering.

Parts marked with an asterisk (\*) are furnished only when repairs are made at factory.

When ordering parts which differ as to **GAUGE** (the distance between seams) the **GAUGE** as well as the **NUMBER** **MUST BE GIVEN** on order.

**LIST OF PARTS COMPLETE**  
**FOR**  
**MACHINE NO. 62-25**

FOR PLAIN STITCHING UPON LIGHT AND MEDIUM WEIGHT FABRICS,  
 ALSO CLOSING LININGS AND STITCHING TOP FACINGS ON  
 SHOES. ONE NEEDLE, ONE LOOPER

NO.	PLATE	NAME	EACH
*52733	---	Arm, upper and lower (solid).....	\$20 00
52630	6533	" Oil Tube with 49092, for oiling 46221	20
49092	6533	" " " Packing (felt).....	01
46216	6490	" Rock Shaft.....	1 00
46217	6491	" " " Crank (back) with two 1497c.....	80
1497c	6491	Arm Rock Shaft Crank (back) Set Screw.	05
38412	6491	" " " " (front) with 443c.	1 25
23724	6491	" " " " " Pin.....	01
443c	6491	" " " " " Set Screw.	03
46218	6482	" Rotary Shaft.....	3 00
38329	6491	" " " Collar with two 457c..	25
457c	6491	" " " " Set Screw.....	02
23872	6490	" " " Flanged Bushing.....	1 00
159F	6493	" " " " " Screw	03
4784	6533	" " " Oil Pad (felt).....	01
144d	6534	" " " Screw.....	08
17509	6490	" Side Cover (lower).....	15
286d	6535	" " " " Thumb Screw...	10
52554	6490	" " " (upper).....	20
9533	6533	" " " " Pin.....	02
176d	6494	" " " " Screw.....	03
23873	6482	Balance Wheel with two 430c.....	80
430c	6534	" " Set Screw.....	01
38414	6483	Cloth Plate.....	2 50
691F	6534	" " Screw (left).....	04
1094F	6534	" " " (right).....	03
38415	---	" " Slide (large) with 1602H.....	60
38417	6486	Cloth Plate Slide (large) complete, Nos. 38415, two 38416 and four 725H.....	75
1602H	6535	Cloth Plate Slide (large) Bushing.....	02
38416	6500	" " " " Spring.....	05
725H	6500	" " " " " Screw....	02
38418	---	" " " (small).....	30
38420	6486	Cloth Plate Slide ((small) complete, Nos. 38418, 38419 and two 725H.....	40



## PARTS FOR MACHINE NO. 62-25

NO.	PLATE	NAME	EACH
38419	6500	Cloth Plate Slide (small) Spring.....	\$ 05
725H	6500	“ “ “ “ “ Screw.....	02
38421	—	Cloth Plate complete, Nos. 38414, 38417 and 38420.....	3 65
46221	6490	Crank Connecting Rod with 46222, 46223 and two each 896E and 1057E.....	2 00
50069c	6535	Crank Connecting Rod Ball Screw Stud	20
1619E	6535	“ “ “ “ “ “	05
		Nut.....	25
*46222	—	Crank Connecting Rod Cap (lower).....	04
896E	6534	“ “ “ “ “ “ Screw	35
*46223	—	“ “ “ “ “ “ (upper).....	04
1057E	6534	“ “ “ “ “ “ Screw	02
46225	6533	“ “ “ “ “ Washer (fibre).....	50
46179	6490	Face Plate.....	02
46111	6533	“ “ “ Pin.....	10
286D	6535	“ “ “ Thumb Screw.....	2 50
38425	6490	Feed Bar with 231c and 460c.....	40
23716	6491	“ “ “ Bushing.....	50
23726	6491	“ “ “ Hinge Pin.....	03
231c	6534	“ “ “ Set Screw.....	50
38426	6491	“ “ “ Slide Block.....	1 50
38427	6490	“ “ “ Connecting Rod with 1057E, 23865 and two 896E.....	30
*23865	—	Feed Connecting Rod Cap.....	04
896E	6534	“ “ “ “ “ “ Screw.....	20
23866	6491	“ “ “ “ “ “ Hinge Pin (eccentric).....	01
1057E	6534	Feed Connecting Rod Hinge Pin Clamp- ing Screw.....	75
38428	6542	Feed Dog, 15 teeth (16 teeth to the inch).	1 50
46055	6543	“ “ “ for shoe linings.....	75
46180	6542	“ “ “ to guide the material $\frac{1}{8}$ in. from the needle.....	75
52552	6542	Feed Dog, 12 teeth (12 teeth to the inch)	04
157D	6534	“ “ “ Screw.....	02
460c	6534	“ “ “ Stop Screw.....	2 50
*38127	—	“ “ “ Eccentric.....	2 50
*23729	—	“ “ “ Body.....	03
443c	6491	“ “ “ “ “ Set Screw.....	03
21331	6491	“ “ “ “ “ Pressure Spring.....	10
21332	6491	“ “ “ “ “ “ Cap.....	02
934D	6491	“ “ “ “ “ “ “ Screw.....	02
196F	6491	“ “ “ “ “ “ Set Screw.....	5 00
38128	6491	Feed Eccentric (adjustable) complete, Nos. 196F, 934D, 1103c, 21331, 21332, 23729, 38127 and two 443c.....	

## PARTS FOR MACHINE NO. 62-25

NO.	PLATE	NAME	EACH
38429	6491	Feed Lifting Eccentric with two 465c....	\$1 00
46113	6500	“ “ “ “ “ Cover.....	10
335D	6500	“ “ “ “ “ “ Screw.....	02
465c	6491	“ “ “ “ “ “ Set Screw.....	15
1103c	6491	“ “ “ “ “ “ Regulating Screw.....	1 25
38431	6492	“ “ “ “ “ “ Rocking Frame.....	50
38432	6492	“ “ “ “ “ “ Bracket with two 465c.....	06
123E	6494	Feed Rocking Frame Bracket Screw.....	50
38433	6492	“ “ “ “ “ “ Hinge Pin.....	02
465c	6491	“ “ “ “ “ “ “ “ Set Screw	15
25618	4846	Guide.....	15
25876	4846	“ “ “ “ “ “ “ “ “ “	10
286D	6535	“ “ “ Thumb Screw.....	2 25
46335	6493	Looper with 590D and 38393.....	50
46226	6490	“ “ “ Bell Crank with 1037c.....	1 00
38436	6490	“ “ “ “ “ “ Hinge Stud.....	03
443c	6491	“ “ “ “ “ “ “ “ “ “ Set Screw.	3 25
46227	6492	Looper Bell Crank Pitman complete, Nos. 1706E, 1713E and 46233 to 46235.....	15
50070c	6535	Looper Bell Crank Pitman Ball Screw Stud (upper).....	03
1636E	6535	Looper Bell Crank Pitman Ball Screw Stud (upper) Nut.....	30
46228	6493	Looper Bell Crank Pitman Ball Stud (lower).....	04
1037c	6493	Looper Bell Crank Pitman Ball Stud (lower) Set Screw.....	—
*46229	—	Looper Bell Crank Pitman Cap (lower)	03
171E	6534	“ “ “ “ “ “ “ “ “ “	—
		Screw.....	03
*46230	—	Looper Bell Crank Pitman Cap (upper)	—
171E	6534	“ “ “ “ “ “ “ “ “ “	03
		Screw.....	—
*46231	—	Looper Bell Crank Pitman End Bearing (lower).....	—
*46232	—	Looper Bell Crank Pitman End Bearing (upper).....	—
46233	6492	Looper Bell Crank Pitman Head (lower) Nos. 46228, 46229, 46231 and two 171E	1 50
46234	6492	Looper Bell Crank Pitman Head (upper) Nos. 46230, 46232, 50070c and two 171E	1 50
46235	6492	Looper Bell Crank Pitman Rod.....	20
1706E	6535	“ “ “ “ “ “ “ “ “ “ N u t	03
		(lower).....	03
1713E	6535	Looper Bell Crank Pitman Rod Nut (upper).....	03

NO.	PLATE	NAME	EACH
38439	6493	Looper Carrier with 1143c and two 1147c	\$1 50
38440	6493	" " Hinge Pin	20
1147c	6493	" " " " Set Screw	03
46236	6492	Looper Carrier Pitman complete, Nos. 1708E, 1709E and 46211 to 46243	3 25
50070c	6535	Looper Carrier Pitman Ball Screw Stud (right)	15
1636E	6535	Looper Carrier Pitman Ball Screw Stud (right) Nut	03
46237	6493	Looper Carrier Pitman Ball Stud (left)	25
1147c	6493	" " " " " " " " Set Screw	03
*46238	—	Looper Carrier Pitman Cap (left)	—
171E	6534	" " " " " " Screw	03
*46238	—	" " " " " (right)	—
171E	6534	" " " " " " Screw	03
*46239	—	" " " " End Bearing (left)	—
*46240	—	" " " " " (right)	—
46241	6492	" " " " Head (left) Nos. 46237 to 46239 and two 171E	1 50
46242	6492	Looper Carrier Pitman Head (right) Nos. 46238, 46240, 50070c and two 171E	1 50
46243	6492	Looper Carrier Pitman Rod	20
1708E	6535	" " " " " Nut (left)	03
1709E	6535	" " " " " (right)	03
46244	6533	" " " " Washer (fibre)	02
46042	6493	" " " " Rock Shaft with two 175d	2 50
175d	6493	" " " " " " Adjusting Screw	02
38450	6493	Looper Carrier Rock Shaft Crank (forked) with 159E	2 00
159E	6493	Looper Carrier Rock Shaft Crank Clamping Screw	03
38451	6493	Looper Carrier Rock Shaft Crank Slide Block	50
46043	6493	Looper Carrier Rock Shaft Hinge Pin	75
1508E	6493	" " " " " " " " Nut	06
129E	6493	Looper Carrier Rock Shaft Hinge Pin Set Screw	04
38452	6493	Looper Eccentric with two 465c	1 00
465c	6493	" " " " " " Set Screw	02
1143c	6493	" " " " " " Set Screw	03
38453	6494	" " Shaft	50
52553	6494	" " Bracket	50
123E	6494	" " " " " " Screw	06
391d	6494	" " " " " " Screw	02

NO.	PLATE	NAME	EACH
38393	6493	Looper Thread Guard	\$ 03
590d	6493	" " " " " " Screw	02
38455	6492	Needle Bar (hollow) with 857u	1 00
38456	6493	" " " " " " Bushing	50
1133E	6493	" " " " " " Set Screw	02
38458	6494	" " " " " " Connecting Link	50
38459	6494	" " " " " " " " H i n g e Stud	30
1520E	6494	Needle Bar Connecting Link Hinge Stud Nut	03
38460	6494	Needle Bar Connecting Stud with two 391E	1 00
391E	6494	Needle Bar Connecting Stud Clamping Screw	02
46050	6494	Needle Guard	75
176d	6494	" " " " " " Screw	03
857H	6534	" " " " " " Set Screw	02
17540	6492	Presser Bar	30
38464	6494	" " " " " " Bushing (lower)	80
1133E	6493	" " " " " " " " Set Screw	02
38456	6493	" " " " " " (upper)	50
1133E	6493	" " " " " " " " Set Screw	02
17541	6494	" " " " " " Lifter	20
17542	6494	" " " " " " Hinge Pin	05
38466	6494	" " " " " " Lifting Bracket with 453c and 892c	1 00
892c	6494	Presser Bar Lifting Bracket Adjusting Screw	05
453c	6494	Presser Bar Lifting Bracket Set Screw	02
38467	6492	" " " " " " Spring (flat)	50
38468	6494	" " " " " " Stud	03
2532	6533	" " " " " " Foot Hinge Pin	per 100
38469	—	" " " " " " Plate	85
38470	—	" " " " " " Shank	65
38471	6544	Presser Foot (hinged) complete, Nos. 2532, 38469 and 38470	1 50
26276	6533	Presser Foot Hinge Pin	01
46056	—	" " " " " " Plate	1 40
46057	—	" " " " " " Shank	60
46058	6544	Presser Foot (hinged) complete, Nos. 26276, 46056 and 46057	2 00
26276	6533	Presser Foot Hinge Pin	01
46076	—	" " " " " " Plate	65
46057	—	" " " " " " Shank	60
46077	6544	Presser Foot (hinged) complete for 46055, for glove work, Nos. 26276, 46057 and 46076	1 25

## PARTS FOR MACHINE NO. 62-25

NO.	PLATE	NAME	EACH
26276	6533	Presser Foot Hinge Pin	\$ 01
46098	—	“ “ Plate	65
46099	—	“ “ Shank	60
46100	6544	Presser Foot (hinged) complete, for drawer finishing, for 46055, Nos. 26276, 46098 and 46099	1 25
18055	6533	Presser Foot Hinge Pin	01
46340	—	“ “ Plate	3 25
46341	—	“ “ Shank	75
46342	6545	Presser Foot (hinged) complete, grooved on bottom for ready folded top facings in long lengths, Nos. 18055, 46340 and 46341	4 00
18055	6533	Presser Foot Hinge Pin	01
46368	—	“ “ Plate	3 25
46341	—	“ “ Shank	75
46369	6545	Presser Foot (hinged) complete, for plain top facings in long lengths, Nos. 18055, 46341 and 46368	4 00
26276	6533	Presser Foot Hinge Pin	01
46181	—	“ “ Plate	85
46182	—	“ “ Shank	65
46183	6544	Presser Foot (hinged) complete, for 46180, Nos. 26276, 46181 and 46182	1 50
52555	6544	Presser Foot (solid)	1 00
190D	6496	“ “ Screw	03
574D	6536	Pressure Regulating Thumb Screw	15
1539D	6535	“ “ “ “ Lock Nut	05
1985	6495	Roller, 7/8 in. diam., coarse, with 652D and 1528D for 46252	25
1986	6495	Roller, 7/8 in. diam., fine, with 652D and 1528D, for 46253	25
46251	6495	Roller Arm	15
440F	6495	“ “ Adjusting Screw	03
1547D	6495	“ “ “ “ Nut	03
2206	6495	“ “ Bracket	20
2205	6495	“ “ Lock Spring	04
176D	6495	“ “ “ “ Screw	03
1549D	6495	“ “ “ “ Nut	03
316F	6495	“ “ Screw Centre	03
1547D	6495	“ “ “ “ Nut	03
652D	6495	“ Screw	08
1528D	6495	“ Nut	03
46252	6495	Roller Presser complete, 7/8 in. coarse roller, Nos. 176D, 440F, 1549D, 1985, 2205, 2206, 46251, two 316F and three 1547D	90

## PARTS FOR MACHINE NO. 62-25

NO.	PLATE	NAME	EACH
46253	—	Roller Presser complete, 7/8 in. fine roller, Nos. 176D, 440F, 1549D, 1986, 2205, 2206, 46251, two 316F and three 1547D	\$ 90
190D	6496	Roller Presser Screw	03
46034	6496	Slack Thread Controller	05
46035	6496	“ “ “ Clamp	10
190D	6496	“ “ “ “ Screw	03
38472	6496	“ “ Regulator	1 50
38473	6496	“ “ “ Bracket with 172C and 1823	1 25
172C	6496	Slack Thread Regulator Bracket Clamping Screw	04
38474	6496	Slack Thread Regulator Bushing	20
1823	6496	“ “ “ Roller and Stud	18
50062D	6496	“ “ “ Screw	07
1620E	6496	“ “ “ “ Nut	03
2102	6496	Tension (under thread) Disc	05
1560C	6496	“ “ “ Regulating Thumb Nut	04
916F	6496	Tension (under thread) Screw Stud	08
10148	6496	“ “ “ Spring	03
17547	6496	“ “ “ Thread Guide	25
2102	6496	“ (upper thread) Disc	05
1560C	6496	“ “ “ Regulating Thumb Nut	04
916F	6496	Tension (upper thread) Screw Stud	08
2103	6496	“ “ “ Spring	03
17547	6496	“ “ “ Thread Guide	25
38225	6497	Thread (under) Eyelet (back)	10
190D	6497	“ “ “ “ Screw	03
38284	6497	“ “ “ (front)	05
46049	6497	“ “ Nipper Cam with 465C	50
465C	6497	“ “ “ “ Set Screw	02
38210	6497	“ “ “ Spring (lower)	15
38211	6497	“ “ “ “ (upper)	25
46247	6497	“ “ “ “ “ Stop	10
176D	6497	“ “ “ “ “ Screw	03
38475	6497	“ “ Take-up with 465C	1 00
465C	6497	“ “ “ “ Set Screw	02
38478	6497	“ “ “ “ Staple with two each 590D and 38481	75
46040	6498	Thread (under) Take-up Staple Bracket with 910C	2 00
690D	6534	Thread (under) Take-up Staple Bracket Screw	05
46041	6497	Thread (under) Take-up Staple Spring	05

NO.	PLATE	NAME	EACH
190D	6497	Thread (under) Take-up Staple Spring Screw.....	\$ 03
910c	6497	Thread (under) Take-up Staple Stop Screw.....	03
38481	6497	Thread (under) Take-up Staple Thread Guard.....	10
590D	6497	Thread (under) Take-up Staple Thread Guard Screw.....	02
38482	6497	Thread (under) Take-up Stripper.....	60
207D	6497	" " " " Screw.....	02
38476	6497	" " " Thread Guard (left).....	15
207D	6497	Thread (under) Take-up Thread Guard (left) Screw.....	02
38477	6497	Thread (under) Take-up Thread Guard (right).....	20
207D	6497	Thread (under) Take-up Thread Guard (right) Screw.....	02
38483	6496	Thread (upper) Controller.....	40
206F	6496	" " " Screw.....	02
38484	6496	" " Eyelet.....	25
190D	6496	" " " Screw.....	03
38485	6496	" " Take-up with 457c.....	80
457c	6496	" " " Set Screw.....	02
38486	6542	Throat Plate for 38428 and 52552.....	1 00
46059	6543	" " " 46055.....	1 50
46184	6542	" " " 46180.....	1 00
691F	6534	" " " Screw.....	04

## LIST OF PARTS COMPLETE FOR MACHINE NO. 62-26

FOR CLOSING SHOES. ONE NEEDLE, ONE LOOPER, ROLLER PRESSER

NO.	PLATE	NAME	EACH
*52733	--	Arm, upper and lower (solid).....	\$20 00
52630	6533	" Oil Tube with 49092, for oiling 46221.....	20
49092	6533	" " " Packing (felt).....	01
46216	6190	" Rock Shaft.....	1 00
46217	6191	" " " Crank (back) with two 1497c.....	80
1497c	6191	Arm Rock Shaft Crank (back) Set Screw.....	05
38412	6191	" " " " (front) with 443c.....	1 25
23724	6191	" " " " " Pin.....	01
443c	6191	" " " " " Set Screw.....	03
46218	6182	" Rotary Shaft.....	3 00
38329	6191	" " " Collar with two 457c.....	25
457c	6191	" " " " Set Screw.....	02
23872	6190	" " " Flanged Bushing.....	1 00
159F	6193	" " " " " Screw.....	03
4784	6533	" " " Oil Pad (felt).....	01
144D	6534	" " " " Screw.....	08
17509	6190	" Side Cover (lower).....	15
286D	6535	" " " " Thumb Screw.....	10
52554	6190	" " " (upper).....	20
9533	6533	" " " " Pin.....	02
176D	6191	" " " " Screw.....	03
23873	6182	Balance Wheel with two 430c.....	80
430c	6534	" " " Set Screw.....	01
38414	6183	Cloth Plate.....	2 50
691F	6534	" " " Screw (left).....	04
1094F	6534	" " " " (right).....	03
46254	--	" " Slide (large) with four 1602n.....	75
46255	6486	Cloth Plate Slide (large) complete, Nos. 46254, two 38416 and four 725n.....	90
1602n	6535	Cloth Plate Slide (large) Bushing.....	02
38116	6500	" " " " Spring.....	05
725n	6500	" " " " " Screw.....	02
38418	--	" " " (small).....	30
38420	6486	Cloth Plate Slide (small) complete, Nos. 38418, 38419 and two 725n.....	40
38419	6500	Cloth Plate Slide (small) Spring.....	05
725n	6500	" " " " " Screw.....	02



NO.	PLATE	NAME	EACH
38440	6493	Looper Carrier Hinge Pin.....	\$ 20
1147C	6493	" " " " Set Screw.....	03
46236	6492	Looper Carrier Pitman complete, Nos. 1708E, 1709E and 46241 to 46243.....	3 25
50070c	6535	Looper Carrier Pitman Ball Screw Stud (right).....	15
1636E	6535	Looper Carrier Pitman Ball Screw Stud (right) Nut.....	03
46237	6493	Looper Carrier Pitman Ball Stud (left)	25
1147C	6493	" " " " " "	03
		Set Screw.....	03
*46238	—	Looper Carrier Pitman Cap (left).....	—
171E	6534	" " " " " Screw..	03
*46238	—	" " " " (right).....	—
171E	6534	" " " " " Screw	03
*46239	—	" " " End Bearing (left).....	—
*46240	—	Looper Carrier Pitman End Bearing (right).....	—
46241	6492	Looper Carrier Pitman Head (left) Nos. 46237 to 46239 and two 171E.....	1 50
46242	6492	Looper Carrier Pitman Head (right) Nos. 46238, 46240, 50070c and two 171E...	1 50
46243	6492	Looper Carrier Pitman Rod.....	20
1708E	6535	" " " " " Nut (left)...	03
1709E	6535	" " " " " (right)...	03
46244	6533	" " " Washer (fibre)...	02
46042	6493	" " Rock Shaft with two 175D	2 50
175D	6493	" " " " Adjusting Screw.....	02
38450	6493	Looper Carrier Rock Shaft Crank (forked) with 159E.....	2 00
159E	6493	Looper Carrier Rock Shaft Crank Clamp- ing Screw.....	03
38451	6493	Looper Carrier Rock Shaft Crank Slide Block.....	50
46043	6493	Looper Carrier Rock Shaft Hinge Pin	75
1508E	6493	" " " " " "	06
129E	6493	Looper Carrier Rock Shaft Hinge Pin Set Screw.....	04
38452	6493	Looper Eccentric with two 465c.....	1 00
465c	6493	" " Set Screw.....	02
1143c	6493	" Set Screw.....	03
38453	6494	" Shaft.....	50
52553	6494	" Bracket.....	50
123E	6494	" " " Screw.....	06

NO.	PLATE	NAME	EACH
391D	6494	Looper Shaft Screw.....	\$ 02
38393	6493	" Thread Guard.....	03
590D	6493	" " " Screw.....	02
38455	6492	Needle Bar (hollow) with 857H.....	1 00
38456	6493	" " Bushing.....	50
1133E	6493	" " " Set Screw.....	02
38458	6494	" " Connecting Link.....	50
38459	6494	" " " " " " " "	30
1520E	6494	" " " " " " "	03
38460	6494	Needle Bar Connecting Stud with two 391E.....	1 00
391E	6494	Needle Bar Connecting Stud Clamping Screw.....	02
46050	6494	Needle Guard.....	75
176D	6494	" " " Screw.....	03
857H	6534	" Set Screw.....	02
38462	6533	Oil Cup with 38463.....	20
38463	6533	" " Packing (felt).....	02
225F	6533	" " Screw.....	03
46092	6492	Presser Bar.....	30
46073	6493	" " Bushing (lower).....	80
1133F	6493	" " " " Set Screw...	02
38456	6493	" " " (upper).....	50
1133E	6493	" " " " Set Screw...	02
17541	6494	" " Lifter.....	20
17542	6494	" " " Hinge Pin.....	05
38466	6494	" " Lifting Bracket with 453c and 892c.....	1 00
892c	6494	Presser Bar Lifting Bracket Adjusting Screw.....	05
453c	6494	Presser Bar Lifting Bracket Set Screw...	02
46093	6492	" " Spring (flat).....	50
38468	6494	" " " Stud.....	03
7298	6533	" Foot Hinge Pin..... per 100	10
38047	—	" " Plate.....	65
38010	—	" " Shank.....	60
38048	6544	Presser Foot (hinged) complete for 38428 and 52552, Nos. 7298, 38010 and 38047	1 25
190D	6496	Presser Foot Screw.....	03
574D	6536	Pressure Regulating Thumb Screw.....	15
1539D	6535	" " " " " Lock Nut.....	05
1923	6495	Roller, 1¼ in. diam., coarse, with 652D and 1528D.....	40
12257	6495	Roller Arm.....	15
440F	6495	" " Adjusting Screw.....	03

NO.	PLATE	NAME	EACH
1547D	6495	Roller Arm Adjusting Screw Nut.....	\$ 03
46037	6495	" " Bracket.....	20
2205	6495	" " Lock Spring.....	04
176D	6495	" " " " Screw.....	03
1549D	6495	" " " " " Nut.....	03
316F	6495	" " Screw Centre.....	03
1547D	6495	" " " " Nut.....	03
652D	6495	" Screw.....	08
1528D	6495	" Nut.....	03
38012	6495	Roller Presser complete, 1 1/4 in. coarse roller, for 46065, Nos. 176D, 440F, 1549D, 1923, 2205, 12257, 46037, two 316F and three 1547D.....	1 05
190D	6496	Roller Presser Screw.....	03
46034	6496	Slack Thread Controller.....	05
46035	6496	" " " Clamp.....	10
190D	6496	" " " " Screw.....	03
38472	6496	" " Regulator.....	1 50
38473	6496	" " " Bracket with 172c and 1823.....	1 25
172c	6496	Slack Thread Regulator Bracket Clamping Screw.....	04
38474	6496	Slack Thread Regulator Bushing.....	20
1823	6496	" " " Roller and Stud.....	18
50062D	6496	" " " Screw.....	07
1620E	6496	" " " " Nut.....	03
2102	6496	Tension (under thread) Disc.....	05
1560c	6496	" " " Regulating Thumb Nut.....	04
916F	6496	Tension (under thread) Screw Stud.....	08
10148	6496	" " " Spring.....	03
17547	6496	" " " Thread Guide....	25
2102	6496	" (upper thread) Disc.....	05
1560c	6496	" " " Regulating Thumb Nut.....	04
916F	6496	Tension (upper thread) Screw Stud.....	08
2103	6496	" " " Spring.....	03
17547	6496	" " " Thread Guide....	25
38225	6497	Thread (under) Eyelet (back).....	10
190D	6497	" " " " Screw.....	03
38284	6497	" " " (front).....	05
46049	6497	" " Nipper Cam with 465c... 50	50
465c	6497	" " " Set Screw... 02	02
38210	6497	" " " Spring (lower).... 15	15
38211	6497	" " " " (upper).... 25	25
46247	6497	" " " " " Stop 10	10
176D	6497	" " " " " Screw..... 03	03

NO.	PLATE	NAME	EACH
38475	6497	Thread (under) Take-up with 465c.....	\$1 00
465c	6497	" " " Set Screw.....	02
38478	6497	" " " Staple with two each 590D and 38481.....	75
46040	6498	Thread (under) Take-up Staple Bracket with 910c.....	2 00
690D	6534	Thread (under) Take-up Staple Bracket Screw.....	05
46011	6497	Thread (under) Take-up Staple Spring 190D 6497	05
190D	6497	" " " " " Screw.....	03
910c	6497	Thread (under) Take-up Staple Stop Screw.....	03
38481	6497	Thread (under) Take-up Staple Thread Guard.....	10
590D	6497	Thread (under) Take-up Staple Thread Guard Screw.....	02
38482	6497	Thread (under) Take-up Stripper.....	60
207D	6497	" " " " " Screw.. 02	02
38476	6497	" " " Thread Guard (left).....	15
207D	6497	Thread (under) Take-up Thread Guard (left) Screw.....	02
38477	6497	Thread (under) Take-up Thread Guard (right).....	20
207D	6497	Thread (under) Take-up Thread Guard (right) Screw.....	02
38483	6496	Thread (upper) Controller.....	40
206F	6496	" " " " " Screw.....	02
38484	6496	" " " Eyelet.....	25
190D	6496	" " " " " Screw.....	03
38485	6496	" " " Take-up with 457c... 80	80
457c	6496	" " " " " Set Screw..... 02	02
46094	6543	Throat Plate with 665D and 46075, for 46065.....	1 50
46095	6542	Throat Plate with 665D and 46075, for 38428 and 52552.....	1 50
46258	6543	Throat Plate with 665D and 46075, for 46257.....	1 50
691F	6534	Throat Plate Screw.....	04
46075	6542	" " Thread Retainer.....	10
665D	6542	" " " " " Screw..... 02	02

**LIST OF PARTS COMPLETE  
FOR  
MACHINE NO. 62-27**

**FOR CLOTH OR LEATHER. CLOSING SHOES, STITCHING GLOVES, ETC.  
ONE NEEDLE, ONE LOOPER, ALTERNATING PRESSERS**

NO.	PLATE	NAME	EACH
*52734	—	Arm, upper and lower (solid)	\$20 00
52630	6533	" Oil Tube with 49092, for oiling 46221	20
49092	6533	" " " Packing (felt)	01
46291	6498	" Rock Shaft	1 00
46217	6491	" " " Crank (back) with two 1497c	80
1497c	6491	Arm Rock Shaft Crank (back) Set Screw	05
46280	6499	" " " " (front) with 443c	1 25
23724	6491	" " " " " Pin	01
443c	6491	" " " " " Set Screw	03
46218	6482	" Rotary Shaft	3 00
38329	6491	" " " " Collar with two 457c	25
457c	6491	" " " " " Set Screw	02
23872	6490	" " " " Flanged Bushing	1 00
159F	6493	" " " " " Screw	03
4784	6533	" " " " Oil Pad (felt)	01
144D	6534	" " " " " Screw	08
17509	6490	" Side Cover (lower)	15
286D	6535	" " " " " Thumb Screw	10
52554	6490	" " " " (upper)	20
9533	6533	" " " " " Pin	02
176D	6494	" " " " " Screw	03
23873	6482	Balance Wheel with two 430c	80
430c	6534	" " " " " Set Screw	04
38414	6483	Cloth Plate	2 50
691F	6534	" " " " " Screw (left)	04
1094F	6534	" " " " " (right)	03
46254	—	" " " " Slide (large) with four 1602H	75
46255	6486	Cloth Plate Slide (large) complete, Nos. 46254, two 38416 and four 725H	90
1602H	6535	Cloth Plate Slide (large) Bushing	02
38416	6500	" " " " " Spring	05
725H	6500	" " " " " " Screw	02
38418	—	" " " " (small)	30
38420	6486	Cloth Plate Slide (small) complete, Nos. 38418, 38419 and two 725H	40

## PARTS FOR MACHINE NO. 62-27

25

NO.	PLATE	NAME	EACH
38419	6500	Cloth Plate Slide (small) Spring	\$ 05
725H	6500	" " " " " " Screw	02
46256	—	Cloth Plate complete, Nos. 38414, 38420 and 46255	3 65
46221	6490	Crank Connecting Rod with 46222, 46223 and two each 896E and 1057E	2 00
50069c	6535	Crank Connecting Rod Ball Screw Stud	20
1619E	6535	" " " " " " " "	
		Nut	05
*46222	—	Crank Connecting Rod Cap (lower)	25
896E	6534	" " " " " " " Screw	04
*46223	—	" " " " " (upper)	35
1057E	6534	" " " " " " " Screw	04
46225	6533	" " " " " Washer (fibre)	02
46281	6507	Face Plate with 735c and 46289	75
171D	6534	" " " " " " " Screw	03
38425	6490	Feed Bar with 231c and 460c	2 50
23716	6491	" " " " " Bushing	40
23726	6491	" " " " " Hinge Pin	50
231c	6534	" " " " " " " Set Screw	03
38426	6491	" " " " " Slide Block	50
38427	6490	" " " " " Connecting Rod with 1057E, 23865 and two 896E	1 50
*23865	—	Feed Connecting Rod Cap	30
896E	6534	" " " " " " " Screw	04
23866	6491	" " " " " " " Hinge Pin (eccentric)	20
1057E	6534	Feed Connecting Rod Hinge Pin Clamping Screw	04
38428	6542	Feed Dog, 15 teeth (16 teeth to the inch)	75
898D	6534	" " " " " " " Screw	04
460c	6534	" " " " " " " Stop Screw	02
*38127	—	" " " " " " " Eccentric	2 50
*23729	—	" " " " " " " Body	2 50
443c	6491	" " " " " " " " " Set Screw	03
21331	6491	" " " " " " " " " Pressure Spring	03
21332	6491	" " " " " " " " " " " Cap	10
934D	6491	" " " " " " " " " " " " " Screw	02
196F	6491	" " " " " " " " " " " " " Set Screw	02
38128	6491	Feed Eccentric (adjustable) complete, Nos. 196F, 934D, 1103c, 21331, 21332, 23729, 38127 and two 443c	5 00
38429	6491	Feed Lifting Eccentric with two 465c	1 00
46113	6500	" " " " " " " " " Cover	10
335D	6500	" " " " " " " " " " " " " Screw	02
465c	6491	" " " " " " " " " " " " " Set Screw	02
1103c	6491	" " " " " " " " " " " " " Regulating Screw	15



## PARTS FOR MACHINE NO. 62-27

NO.	PLATE	NAME	EACH
38431	6492	Feed Rocking Frame.....	\$1 25
38432	6492	" " " Bracket with two 465c.....	50
123E	6494	Feed Rocking Frame Bracket Screw.....	06
38433	6492	" " " Hinge Pin.....	50
465c	6491	" " " " " Set Screw.....	02
46072	6498	Lifting Presser Bar.....	30
46073	6493	" " " Bushing (lower).....	80
1133E	6493	" " " " " Set Screw.....	02
38456	6493	Lifting Presser Bar Bushing (upper).....	50
1133E	6493	" " " " " Set Screw.....	02
17541	6494	Lifting Presser Bar Lifter.....	20
17542	6494	" " " " Hinge Pin.....	05
46282	6499	" " " Lifting Bracket with 701c and 892c.....	2 50
892c	6494	Lifting Presser Bar Lifting Bracket Adjusting Screw.....	05
704c	6499	Lifting Presser Bar Lifting Bracket Clamping Screw.....	04
38467	6492	Lifting Presser Bar Spring (flat).....	50
38468	6494	" " " Stud.....	03
46310	6544	" " Foot.....	80
190D	6496	" " " Screw.....	03
46066	6499	Looper with 590D and 38393.....	2 25
46226	6490	" Bell Crank with 1037c.....	50
38436	6490	" " " Hinge Stud.....	1 00
443c	6491	" " " " " Set Screw.....	03
46227	6492	Looper Bell Crank Pitman complete, Nos. 1706E, 1713E and 46233 to 46235.....	3 25
50070c	6535	Looper Bell Crank Pitman Ball Screw Stud (upper).....	15
1636E	6535	Looper Bell Crank Pitman Ball Screw Stud (upper) Nut.....	03
46228	6493	Looper Bell Crank Pitman Ball Stud (lower).....	30
1037c	6493	Looper Bell Crank Pitman Ball Stud (lower) Set Screw.....	04
*46229	—	Looper Bell Crank Pitman Cap (lower) 171E 6534 " " " " " " "	—
		Screw.....	03
*46230	—	Looper Bell Crank Pitman Cap (upper) 171E 6534 " " " " " " "	—
		Screw.....	03

## PARTS FOR MACHINE NO. 62-27

NO.	PLATE	NAME	EACH
*46231	—	Looper Bell Crank Pitman End Bearing (lower).....	\$ —
*46232	—	Looper Bell Crank Pitman End Bearing (upper).....	—
46233	6492	Looper Bell Crank Pitman Head (lower) Nos. 46228, 46229, 46231 and two 171E	1 50
46234	6492	Looper Bell Crank Pitman Head (upper) Nos. 46230, 46232, 50070c and two 171E	1 50
46235	6492	Looper Bell Crank Pitman Rod.....	20
1706E	6535	" " " " " Nut (lower).....	03
1713E	6535	Looper Bell Crank Pitman Rod Nut (upper).....	03
38439	6493	Looper Carrier with 1143c and two 1147c	1 50
38440	6493	" " Hinge Pin.....	20
1147c	6493	" " " " Set Screw.....	03
46236	6492	Looper Carrier Pitman complete, Nos. 1708E, 1709E and 46241 to 46243.....	3 25
50070c	6535	Looper Carrier Pitman Ball Screw Stud (right).....	15
1636E	6535	Looper Carrier Pitman Ball Screw Stud (right) Nut.....	03
46237	6493	Looper Carrier Pitman Ball Stud (left) 1147c 6493 " " " " " "	25
		Set Screw.....	03
*46238	—	Looper Carrier Pitman Cap (left).....	—
171E	6534	" " " " " Screw.....	03
*46238	—	" " " " (right).....	—
171E	6534	" " " " " Screw.....	03
*46239	—	" " " End Bearing (left).....	—
*46240	—	Looper Carrier Pitman End Bearing (right).....	—
46241	6492	Looper Carrier Pitman Head (left) Nos. 46237 to 46239 and two 171E.....	1 50
46242	6492	Looper Carrier Pitman Head (right) Nos. 46238, 46240, 50070c and two 171E...	1 50
46243	6492	Looper Carrier Pitman Rod.....	20
1708E	6535	" " " " Nut (left)...	03
1709E	6535	" " " " " (right)...	03
46244	6533	" " " Washer (fibre)...	02
46042	6493	" " Rock Shaft with two 175D 175D 6493 " " " Adjusting Screw.....	2 50
38450	6493	Looper Carrier Rock Shaft Crank (forked) with 159E.....	2 00
159E	6493	Looper Carrier Rock Shaft Crank Clamp- ing Screw.....	03

## PARTS FOR MACHINE NO. 62-27

NO.	PLATE	NAME	EACH
38451	6493	Looper Carrier Rock Shaft Crank Slide Block.....	\$ 50
46043	6493	Looper Carrier Rock Shaft Hinge Pin	75
1508E	6493	" " " " " "	
		Nut.....	06
129E	6493	Looper Carrier Rock Shaft Hinge Pin Set Screw.....	04
38452	6493	Looper Eccentric with two 465c.....	1 00
465c	6493	" " Set Screw.....	02
46104	6499	" Needle Guard with 46105.....	40
46105	6499	" " " Pin.....	01
229D	6499	" " " Screw.....	02
1143c	6493	" Set Screw.....	03
38453	6494	" Shaft.....	50
52553	6494	" " Bracket.....	50
123E	6494	" " " Screw.....	06
391D	6494	" " " Screw.....	02
38393	6493	" Thread Guard.....	03
590D	6493	" " " Screw.....	02
38455	6492	Needle Bar (hollow) with 857H.....	1 00
38456	6493	" " Bushing.....	50
1133E	6493	" " " Set Screw.....	02
38458	6494	" " Connecting Link.....	50
38459	6494	" " " " Hinge Stud	30
1520E	6494	" " " " " "	
		Nut.....	03
38460	6494	Needle Bar Connecting Stud with two 391E.....	1 00
391E	6494	Needle Bar Connecting Stud Clamping Screw.....	02
46050	6494	Needle Guard.....	75
176D	6494	" " " Screw.....	03
857H	6534	" Set Screw.....	02
38462	6533	Oil Cup with 38463.....	20
38463	6533	" " Packing (felt).....	02
225F	6533	" " " Screw.....	03
574D	6536	Pressure Regulating Thumb Screw.....	15
1539D	6535	" " " " Lock	
		Nut.....	05
46169	6500	Slack Thread Controller.....	05
193F	6500	" " " Set Screw.....	03
2102	6496	Tension (under thread) Disc.....	05
1560c	6496	" " " R e g u l a t i n g	
		Thumb Nut.....	04
916F	6496	Tension (under thread) Screw Stud.....	08
10148	6496	" " " Spring.....	03

## PARTS FOR MACHINE NO. 62-27

NO.	PLATE	NAME	EACH
17547	6496	Tension (under thread) Thread Guide....	\$ 25
2102	6496	" (upper thread) Disc.....	05
1560c	6496	" " " R e g u l a t i n g	
		Thumb Nut.....	04
916F	6496	Tension (upper thread) Screw Stud.....	08
13710	6496	" " " Spring.....	03
17547	6496	" " " Thread Guide....	25
38225	6497	Thread (under) Eyelet (back).....	10
190D	6497	" " " " Screw.....	03
38284	6497	" " " (front).....	05
46049	6497	" " Nipper Cam with 465c....	50
465c	6497	" " " " Set Screw....	02
38210	6497	" " " Spring (lower)....	15
38211	6497	" " " " (upper)....	25
46247	6497	" " " " Stop	10
176D	6497	" " " " Screw.....	03
38475	6497	" " Take-up with 465c.....	1 00
465c	6497	" " " Set Screw.....	02
38478	6497	" " " Staple with two	
		each 590D and 38481.....	75
46040	6498	Thread (under) Take-up Staple Bracket with 910c.....	2 00
690D	6534	Thread (under) Take-up Staple Bracket Screw.....	05
46041	6497	Thread (under) Take-up Staple Spring	05
190D	6497	" " " " " "	
		Screw.....	03
910c	6497	Thread (under) Take-up Staple Stop Screw.....	03
38481	6497	Thread (under) Take-up Staple Thread Guard.....	10
590D	6497	Thread (under) Take-up Staple Thread Guard Screw.....	02
38482	6497	Thread (under) Take-up Stripper.....	60
207D	6497	" " " " Screw..	02
38476	6497	" " " Thread Guard	
		(left).....	15
207D	6497	Thread (under) Take-up Thread Guard (left) Screw.....	02
38477	6497	Thread (under) Take-up Thread Guard (right).....	20
207D	6497	Thread (under) Take-up Thread Guard (right) Screw.....	02
38483	6496	Thread (upper) Controller.....	40
206F	6496	" " " Screw.....	02
46311	6500	" " Eyelet.....	25
190D	6500	" " " Screw.....	03

NO.	PLATE	NAME	EACH
46312	6500	Thread (upper) Take-up with 223b	\$ 80
223D	6500	" " " Clamping Screw	02
46095	6542	Throat Plate with 665D and 46075, for 38428	1 50
691F	6534	Throat Plate Screw	04
46075	6542	" " Thread Retainer	10
665D	6542	" " " " Screw	02
46286	6499	Vibrating Presser Bar	75
212F	6499	" " " Cap Screw	04
46287	6499	" " " " " Lifting Bell Crank	1 50
212F	6499	" " " " " " " Cap Screw	04
46284	6499	Vibrating Presser Bar Lifting Bell Crank Driving Arm with 157D, 602D and 1989	1 25
157D	6499	Vibrating Presser Bar Lifting Bell Crank Driving Arm Clamping Screw	04
1989	6499	Vibrating Presser Bar Lifting Bell Crank Driving Arm Roller (roller only)	10
602D	6499	Vibrating Presser Bar Lifting Bell Crank Driving Arm Roller Cap Screw	02
46288	6499	Vibrating Presser Bar Spring	02
46289	6499	" " " " Stop (raw hide)	01
735c	6499	" " " " " Adjusting Screw	02
46313	6544	Vibrating Presser Foot	80
203D	6534	" " " " Screw	03

## LIST OF PARTS COMPLETE

FOR

## MACHINE NO. 62-28

FOR STITCHING BUTTON STAYS ON KNIT UNDERWEAR. ONE NEEDLE,  
ONE LOOPER, TRANSVERSE TUBULAR BINDER AND  
AUXILIARY FEED

NO.	PLATE	NAME	EACH
*46430	---	Arm, upper and lower (solid) with 129b, 965D and 46145	\$20 00
52630	6533	Arm Oil Tube with 49092, for oiling 46221	20
49092	6533	" " " Packing (felt)	01
46216	6490	" Rock Shaft	1 00
46217	6491	" " " Crank (back) with two 1497c	80
1497c	6491	Arm Rock Shaft Crank (back) Set Screw	05
38412	6491	" " " " (front) with 443c	1 25
23724	6491	" " " " " Pin	01
443c	6491	" " " " " Set Screw	03
46218	6482	" Rotary Shaft	3 00
38329	6491	" " " Collar with two 457c	25
457c	6491	" " " " Set Screw	02
23872	6490	" " " Flanged Bushing	1 00
159F	6493	" " " " " Screw	03
4784	6533	" " " Oil Pad (felt)	01
144D	6534	" " " Screw	08
17509	6490	" Side Cover (lower)	15
286D	6535	" " " " Thumb Screw	10
52554	6490	" " " (upper)	20
9533	6533	" " " " Pin	02
176D	6494	" " " " Screw	03
23873	6482	Balance Wheel with two 430c	80
430c	6534	" " " Set Screw	01
46431	6483	Cloth Plate	6 00
46432	6487	" " Bracket	50
691F	6534	" " " Screw	04
691F	6534	" " " Screw	04
46433	---	" " Slide (large)	1 75
46435	6487	Cloth Plate Slide (large) complete, Nos. 38416, 46433, 46434 and four 725n	2 00
46434	6500	Cloth Plate Slide (large) Spring (left)	05
725n	6500	" " " " " " " Screw	02

## PARTS FOR MACHINE NO. 62-28

NO.	PLATE	NAME	EACH
38416	6500	Cloth Plate Slide (large) Spring (right)	\$ 05
725H	6500	" " " " " "	
		Screw.....	02
46436	—	Cloth Plate Slide (small).....	30
46437	6487	Cloth Plate Slide (small) complete, Nos. 38419, 46436 and two 725H.....	40
38419	6500	Cloth Plate Slide (small) Spring.....	05
725H	6500	" " " " " " Screw...	02
46438	—	Cloth Plate complete, Nos. 46431, 46435 and 46437.....	8 10
46221	6490	Crank Connecting Rod with 46222, 46223 and two each 896E and 1057E.....	2 00
50069c	6535	Crank Connecting Rod Ball Screw Stud	20
1619E	6535	" " " " " " Nut.....	05
*46222	—	Crank Connecting Rod Cap (lower).....	25
896E	6534	" " " " " " Screw.....	04
*46223	—	" " " " " " (upper).....	35
1057E	6534	" " " " " " Screw.....	04
46225	6533	" " " " Washer (fibre).....	02
46179	6490	Face Plate.....	50
46111	6533	" " Pin.....	02
286D	6535	" " Thumb Screw.....	10
38425	6490	Feed (back) Bar with 231c and 460c.....	2 50
23716	6491	" " " Bushing.....	40
23726	6491	" " " Hinge Pin.....	50
231c	6534	" " " Set Screw.....	03
38426	6491	" " " Slide Block.....	50
38427	6490	" " Connecting Rod with 1057E, 23865 and two 896E.....	1 50
*23865	—	Feed (back) Connecting Rod Cap.....	30
896E	6534	" " " " " " Screw...	04
23866	6491	" " " " " Hinge Pin (eccentric).....	20
46439	6502	Feed (back) Connecting Rod Hinge Pin Bushings.....	50
178F	6502	Feed (back) Connecting Rod Hinge Pin Bushings Clamping Screw.....	03
1057E	6534	Feed (back) Connecting Rod Hinge Pin Clamping Screw.....	04
46440	6546	Feed (back) Dog.....	1 25
704c	6531	" " " Screw.....	04
460c	6534	" " " Stop Screw.....	02
38429	6491	" " Lifting Eccentric with two 465c.....	1 00
46113	6500	Feed (back) Lifting Eccentric Cover.....	10
335D	6500	" " " " " " Screw	02

## PARTS FOR MACHINE NO. 62-28

NO.	PLATE	NAME	EACH
465c	6491	Feed (back) Lifting Eccentric Set Screw..	\$ 02
46441	6501	" (front) Bar with 174D.....	1 00
50109F	6535	" " " Hinge Screw.....	15
46442	6501	" " Connecting Rod with two 174D.....	1 00
174D	6534	Feed (front) Connecting Rod Adjusting Screw.....	02
1131c	6535	Feed (front) Connecting Rod Hinge Screw	10
174D	6534	" " " " " " Clamping Screw.....	02
46443	6546	Feed (front) Dog.....	1 25
207D	6497	" " " Screw.....	02
46444	6501	" " Lifting Rock Shaft.....	60
*46445	—	" " " " " " Bracket	75
129D	6534	" " " " " " Screw (back).....	01
965D	6531	Feed (front) Lifting Rock Shaft Bracket Screw (front).....	04
46446	6501	Feed (front) Lifting Rock Shaft Crank (back) forked, with 647D.....	1 50
647D	6534	Feed (front) Lifting Rock Shaft Crank (back) Clamping Screw.....	03
46447	6502	Feed (front) Lifting Rock Shaft Crank (back) Slide Block.....	1 00
46448	6501	Feed (front) Lifting Rock Shaft Crank (front) with two each 178D and 197D...	1 00
197D	6532	Feed (front) Lifting Rock Shaft Crank (front) Adjusting Screw.....	02
178D	6502	Feed (front) Lifting Rock Shaft Crank (front) Clamping Screw.....	03
50110c	6502	Feed (front) Regulating Stud.....	15
1701c	6502	" " " " Nut.....	10
46449	6502	" " " " Sleeve.....	50
*46450	—	" Eccentric.....	2 50
50043c	6502	" " Adjusting Screw.....	04
24691	6502	" " " " P l a t e	35
641D	6502	" " " " " " Screw.....	03
*46451	—	Feed Eccentric Body with two 443c.....	3 50
443c	6491	" " " Set Screw.....	03
196F	6491	" " " Set Screw.....	02
46452	6502	Feed Eccentric and Feed (front) Lifting Eccentric (adjustable) complete, Nos. 196F, 641D, 24691, 46450, 46451 and 50043c.....	6 50
46453	6502	Feed Eccentric Collar with two 451c.....	25
451c	6502	" " " " " " Set Screw.....	02

NO.	PLATE	NAME	EACH
46454	6501	Feed Rocking Frame with 178E.....	\$2 50
38432	6492	" " " Bracket with two 465c.....	50
123E	6494	Feed Rocking Frame Bracket Screw.....	06
38433	6492	" " " Hinge Pin.....	50
465c	6491	" " " " " Set Screw	02
46335	6493	Looper with 590D and 38393.....	2 25
46226	6490	" Bell Crank with 1037c.....	50
38436	6490	" " " Hinge Stud.....	1 00
443c	6491	" " " " " Set Screw.	03
46227	6492	Looper Bell Crank Pitman complete, Nos. 1706E, 1713E and 46233 to 46235.....	3 25
50070c	6535	Looper Bell Crank Pitman Ball Screw Stud (upper).....	15
1636E	6535	Looper Bell Crank Pitman Ball Screw Stud (upper) Nut.....	03
46228	6493	Looper Bell Crank Pitman Ball Stud (lower).....	30
1037c	6493	Looper Bell Crank Pitman Ball Stud (lower) Set Screw.....	04
*46229	---	Looper Bell Crank Pitman Cap (lower)	---
171E	6534	" " " " " " "	---
		Screw.....	03
*46230	---	Looper Bell Crank Pitman Cap (upper)	---
171E	6534	" " " " " " "	---
		Screw.....	03
*46231	---	Looper Bell Crank Pitman End Bearing (lower).....	---
*46232	---	Looper Bell Crank Pitman End Bearing (upper).....	---
46233	6492	Looper Bell Crank Pitman Head (lower) Nos. 46228, 46229, 46231 and two 171E	1 50
46234	6492	Looper Bell Crank Pitman Head (upper) Nos. 46230, 46232, 50070c and two 171E	1 50
46235	6492	Looper Bell Crank Pitman Rod.....	20
1706E	6535	" " " " " " Nut	---
		(lower).....	03
1713E	6535	Looper Bell Crank Pitman Rod Nut (upper).....	03
38439	6493	Looper Carrier with 1143c and two 1147c	1 50
38440	6493	" " Hinge Pin.....	20
1147c	6493	" " " " " Set Screw.....	03
46236	6492	Looper Carrier Pitman complete, Nos. 1708E, 1709E and 46241 to 46243.....	3 25
50070c	6535	Looper Carrier Pitman Ball Screw Stud (right).....	15

NO.	PLATE	NAME	EACH
1636E	6535	Looper Carrier Pitman Ball Screw Stud (right) Nut.....	\$ 03
46237	6493	Looper Carrier Pitman Ball Stud (left)	25
1147c	6493	" " " " " " "	---
		Set Screw.....	03
*46238	---	Looper Carrier Pitman Cap (left).....	---
171E	6534	" " " " " " Screw..	03
*46238	---	" " " " (right).....	---
171E	6534	" " " " " " Screw	03
*46239	---	" " " " End Bearing (left).....	---
*46240	---	Looper Carrier Pitman End Bearing (right).....	---
46241	6492	Looper Carrier Pitman Head (left) Nos. 46237 to 46239 and two 171E.....	1 50
46242	6492	Looper Carrier Pitman Head (right) Nos. 46238, 46240, 50070c and two 171E....	1 50
46243	6492	Looper Carrier Pitman Rod.....	20
1708E	6535	" " " " " Nut (left)...	03
1709E	6535	" " " " " " (right)...	03
46244	6533	" " " Washer (fibre)...	02
46042	6493	" " Rock Shaft with two 175D	2 50
		" " " " Adjusting Screw.....	02
38450	6493	Looper Carrier Rock Shaft Crank (forked) with 159E.....	2 00
159E	6493	Looper Carrier Rock Shaft Crank Clamping Screw.....	03
38451	6493	Looper Carrier Rock Shaft Crank Slide Block.....	50
46043	6493	Looper Carrier Rock Shaft Hinge Pin	75
1508E	6493	" " " " " " "	---
		Nut.....	06
129E	6493	Looper Carrier Rock Shaft Hinge Pin Set Screw.....	04
38452	6493	Looper Eccentric with two 465c.....	1 00
465c	6493	" " " " " " Set Screw.....	02
46104	6499	" Needle Guard with 46105.....	40
46105	6499	" " " " " Pin.....	01
229D	6499	" " " " " " Screw.....	02
1143c	6493	" Set Screw.....	03
38453	6494	" Shaft.....	50
52553	6494	" " Bracket.....	50
123E	6494	" " " " " " Screw.....	06
391D	6494	" " " " " " Screw.....	02
38393	6493	" Thread Guard.....	03
590D	6493	" " " " " " Screw.....	02

NO.	PLATE	NAME	EACH
38455	6492	Needle Bar (hollow) with 857H.....	\$1 00
38456	6493	" " Bushing.....	50
1133E	6493	" " " Set Screw.....	02
38458	6494	" " Connecting Link.....	50
38459	6494	" " " " Hinge Stud	30
1520E	6494	" " " " " " "	
		Nut.....	03
38460	6494	Needle Bar Connecting Stud with two	
		391E.....	1 00
391E	6494	Needle Bar Connecting Stud Clamping	
		Screw.....	02
46050	6494	Needle Guard.....	75
190D	6496	" " Screw.....	03
857H	6534	" Set Screw.....	02
17540	6492	Presser Bar.....	30
38464	6494	" " Bushing (lower).....	80
1133E	6493	" " " " Set Screw...	02
38456	6493	" " " (upper).....	50
1133E	6493	" " " " Set Screw...	02
17541	6494	" " Lifter.....	20
17542	6494	" " " Hinge Pin.....	05
38466	6494	" " Lifting Bracket with 453c and	
		892c.....	1 00
892c	6494	Presser Bar Lifting Bracket Adjusting	
		Screw.....	05
453c	6494	Presser Bar Lifting Bracket Set Screw...	02
38467	6492	" " Spring (flat).....	50
38468	6494	" " " Stud.....	03
26276	6533	" Foot Hinge Pin.....	01
46455	—	" " Plate.....	3 00
46456	—	" " Shank.....	75
46457	6546	Presser Foot (hinged) complete, Nos.	
		26276, 46455 and 46456.....	3 75
176D	6494	Presser Foot Screw.....	03
574D	6536	Pressure Regulating Thumb Screw.....	15
1539D	6535	" " " " Lock	
		Nut.....	05
46034	6496	Slack Thread Controller.....	05
46035	6496	" " " Clamp.....	10
190D	6496	" " " " Screw.....	03
38472	6496	" " Regulator.....	1 50
38473	6496	" " " Bracket with	
		172c and 1823.....	1 25
172c	6496	Slack Thread Regulator Bracket Clamping	
		Screw.....	04
38474	6496	Slack Thread Regulator Bushing.....	20
1823	6496	" " " Roller and Stud.	18

NO.	PLATE	NAME	EACH
50062D	6496	Slack Thread Regulator Screw.....	\$ 07
1620E	6496	" " " " Nut.....	03
2102	6496	Tension (under thread) Disc.....	05
1560c	6496	" " " Regulating	
		Thumb Nut.....	04
916F	6496	Tension (under thread) Screw Stud.....	08
10148	6496	" " " Spring.....	03
17547	6496	" " " Thread Guide....	25
2102	6496	" (upper thread) Disc.....	05
1560c	6496	" " " Regulating	
		Thumb Nut.....	04
916F	6496	Tension (upper thread) Screw Stud.....	08
13710	6496	" " " Spring.....	03
17547	6496	" " " Thread Guide....	25
38225	6497	Thread (under) Eyelet (back).....	10
190D	6497	" " " " Screw.....	03
38284	6497	" " " (front).....	05
46049	6497	" " Nipper Cam with 465c...	50
465c	6497	" " " Set Screw.....	02
38210	6497	" " " Spring (lower)....	15
38211	6497	" " " " (upper)....	25
46247	6497	" " " " " Stop	10
176D	6497	" " " " Screw.....	03
38475	6497	" " Take-up with 465c.....	1 00
465c	6497	" " " Set Screw.....	02
38478	6497	" " " Staple with two	
		each 590D and 38481.....	75
46040	6498	Thread (under) Take-up Staple Bracket	
		with 910c.....	2 00
690D	6534	Thread (under) Take-up Staple Bracket	
		Screw.....	05
46041	6497	Thread (under) Take-up Staple Spring	
190D	6497	" " " " "	05
		Screw.....	03
910c	6497	Thread (under) Take-up Staple Stop	
		Screw.....	03
38481	6497	Thread (under) Take-up Staple Thread	
		Guard.....	10
590D	6497	Thread (under) Take-up Staple Thread	
		Guard Screw.....	02
38482	6497	Thread (under) Take-up Stripper.....	60
207D	6497	" " " " Screw...	02
38476	6497	" " " Thread Guard	
		(left).....	15
207D	6497	Thread (under) Take-up Thread Guard	
		(left) Screw.....	02

NO.	PLATE	NAME	EACH
38477	6497	Thread (under) Take-up Thread Guard (right).....	\$ 20
207D	6497	Thread (under) Take-up Thread Guard (right) Screw.....	02
38483	6496	Thread (upper) Controller.....	40
206F	6496	" " " Screw.....	02
38484	6496	" " Eyelet.....	25
190D	6496	" " " Screw.....	03
38485	6496	" " Take-up with 457c.....	80
457C	6496	" " " Set Screw.....	02
46458	6546	Throat Plate for 46440 and 46443.....	2 25
691F	6534	" " Screw.....	01

## LIST OF PARTS COMPLETE FOR MACHINE NO. 62-29

FOR CASKET LININGS. HAS POSITIVE RUFFLING MECHANISM FOR FULL OR SCANT RUFFLING, FITTED WITH A COMBINATION EDGE FOLDER AND EDGE GUIDE FOR FOLDING THE EDGE OF THE BACKING, GUIDING AND RUFFLING SILK FACING AND TUBE FOOT FOR LAYING THE BRAID OVER THE FOLDED AND RUFFLED EDGES IN ONE OPERATION

NO.	PLATE	NAME	EACH
*52799	—	Arm, upper and lower (solid) with 52814, 52815 and two each 129E and 190D.....	\$22 00
52630	6533	Arm Oil Tube with 49092 for oiling 46221.....	20
49092	6533	" " " Packing (felt).....	01
46216	6490	" Rock Shaft.....	1 00
46217	6491	" " " Crank (back) with two 1497c.....	80
1497c	6491	Arm Rock Shaft Crank (back) Set Screw.....	05
38412	6491	" " " " (front) with 443c.....	1 25
23721	6491	" " " " " Pin.....	01
443c	6491	" " " " " Set Screw.....	03
46218	6482	" Rotary Shaft.....	3 00
38329	6491	" " " Collar with two 457c.....	25
457c	6491	" " " " Set Screw.....	02
23872	6490	" " " Flanged Bushing.....	1 00
159F	6493	" " " " " Screw.....	03
4784	6533	" " " Oil Pad (felt).....	01
144D	6534	" " " Screw.....	08
17509	6490	" Side Cover (lower).....	15
286D	6535	" " " " Thumb Screw.....	10
52554	6490	" " " (upper).....	20
9533	6533	" " " " Pin.....	02
176D	6494	" " " " Screw.....	03
52800	6482	Balance Wheel and Ruffling Eccentric with two 430c.....	1 50
430c	6534	Balance Wheel and Ruffling Eccentric Set Screw.....	01
46078	6484	Cloth Plate.....	2 50
691F	6534	" " Screw (left).....	04
1094F	6534	" " " (right).....	03
46461	—	" " Slide (left).....	30

NO.	PLATE	NAME	EACH
46462	6486	Cloth Plate Slide (left) complete, Nos. 38419, 46461 and two 725H.....	\$ 40
38419	6500	Cloth Plate Slide (left) Spring.....	05
	725H	6500 " " " " " Screw.....	02
38105H	6486	" " " (right) with 1602H.....	30
	1602H	6535 " " " " Bushing.....	02
	286D	6535 " " " " Thumb Screw.....	10
46079	—	Cloth Plate complete, Nos. 286D, 1460H, 38105H, 46078, 46082 and 46462.....	4 00
46221	6490	Crank Connecting Rod with 46222, 46223 and two each 896E and 1057E.....	2 00
50069C	6535	Crank Connecting Rod Ball Screw Stud	20
	1619E	6535 " " " " " " "	
		Nut.....	05
*46222	—	Crank Connecting Rod Cap (lower).....	25
	896E	6534 " " " " " Screw.....	04
*46223	—	" " " " " (upper).....	35
	1057E	6534 " " " " " Screw.....	01
46225	6533	" " " " Washer (fibre).....	02
46179	6490	Face Plate.....	50
46111	6533	" " Pin.....	02
	286D	6535 " " Thumb Screw.....	10
38425	6490	Feed Bar with 231C and 460C.....	2 50
23716	6491	" " Bushing.....	40
23726	6491	" " Hinge Pin.....	50
	231C	6534 " " Set Screw.....	03
38426	6491	" " Slide Block.....	50
38427	6490	" Connecting Rod with 1057E, 23865 and two 896E.....	1 50
*23865	—	Feed Connecting Rod Cap.....	30
	896E	6534 " " " " Screw.....	04
23866	6491	" " " Hinge Pin (eccentric).....	20
	1057E	6534 Feed Connecting Rod Hinge Pin Clamping Screw.....	04
52801	6569	Feed Dog.....	1 00
	898D	6534 " " Screw.....	04
	460C	6534 " " Stop Screw.....	02
*38127	—	" Eccentric.....	2 50
*23729	—	" " Body.....	2 50
	443C	6491 " " " Set Screw.....	03
	21331	6491 " " Pressure Spring.....	03
	21332	6491 " " " " Cap.....	10
	934D	6491 " " " " " Screw.....	02
	196F	6491 " " Set Screw.....	02

NO.	PLATE	NAME	EACH
38128	6491	Feed Eccentric (adjustable) complete, Nos. 196F, 934D, 1103C, 21331, 21332, 23729, 38127 and two 443C.....	\$5 00
38429	6491	Feed Lifting Eccentric with two 465C.....	1 00
46113	6500	" " " Cover.....	10
	335D	6500 " " " " Screw.....	02
	465C	6491 " " " Set Screw.....	02
	1103C	6491 " Regulating Screw.....	15
38431	6492	" Rocking Frame.....	1 25
38432	6492	" " " Bracket with two 465C.....	50
	123E	6494 Feed Rocking Frame Bracket Screw.....	06
38433	6492	" " " Hinge Pin.....	50
	465C	6491 " " " " " " Set Screw.....	02
46082	6501	Folder Holder Seat Cover.....	50
	1460H	6534 " " " " Screw.....	07
46335	6493	Looper with 590D and 38393.....	2 25
46226	6490	" Bell Crank with 1037C.....	50
38436	6490	" " " Hinge Stud.....	1 00
	443C	6491 " " " " " Set Screw.....	03
46227	6492	Looper Bell Crank Pitman complete, Nos. 1706E, 1713E and 46233 to 46235.....	3 25
50070C	6535	Looper Bell Crank Pitman Ball Screw Stud (upper).....	15
	1636E	6535 Looper Bell Crank Pitman Ball Screw Stud (upper) Nut.....	03
46228	6493	Looper Bell Crank Pitman Ball Stud (lower).....	30
	1037C	6493 Looper Bell Crank Pitman Ball Stud (lower) Set Screw.....	04
*46229	—	Looper Bell Crank Pitman Cap (lower).....	—
	171E	6534 " " " " " " " Screw.....	03
*46230	—	Looper Bell Crank Pitman Cap (upper).....	—
	171E	6534 " " " " " " " Screw.....	03
*46231	—	Looper Bell Crank Pitman End Bearing (lower).....	—
*46232	—	Looper Bell Crank Pitman End Bearing (upper).....	—
46233	6492	Looper Bell Crank Pitman Head (lower) Nos. 46228, 46229, 46231 and two 171E.....	1 50
46234	6492	Looper Bell Crank Pitman Head (upper) Nos. 46230, 46232, 50070C and two 171E.....	1 50
46235	6492	Looper Bell Crank Pitman Rod.....	20



## PARTS FOR MACHINE NO. 62-29

NO.	PLATE	NAME	EACH
1706E	6535	Looper Bell Crank Pitman Rod Nut (lower)	\$ 03
1713E	6535	Looper Bell Crank Pitman Rod Nut (upper)	03
38439	6493	Looper Carrier with 1143c and two 1147c	1 50
38440	6493	" " Hinge Pin	20
1147c	6493	" " " " Set Screw	03
46236	6492	Looper Carrier Pitman complete, Nos. 1708E, 1709E and 46241 to 46243	3 25
50070c	6535	Looper Carrier Pitman Ball Screw Stud (right)	15
1636E	6535	Looper Carrier Pitman Ball Screw Stud (right) Nut	03
46237	6493	Looper Carrier Pitman Ball Stud (left)	25
1147c	6493	" " " " " " " " Set Screw	03
*46238	—	Looper Carrier Pitman Cap (left)	—
171E	6534	" " " " " " " " Screw	03
*46238	—	" " " " " " (right)	—
171E	6534	" " " " " " " " Screw	03
*46239	—	Looper Carrier Pitman End Bearing (left)	—
*46240	—	Looper Carrier Pitman End Bearing (right)	—
46241	6492	Looper Carrier Pitman Head (left) Nos. 46237 to 46239 and two 171E	1 50
46242	6492	Looper Carrier Pitman Head (right) Nos. 46238, 46240, 50070c and two 171E	1 50
46243	6492	Looper Carrier Pitman Rod	20
1708E	6535	" " " " Nut (left)	03
1709E	6535	" " " " " (right)	03
46244	6533	" " " " Washer (fibre)	02
46042	6493	" " " " Rock Shaft with two 175D	2 50
175D	6493	" " " " " " " " Adjusting Screw	02
38450	6493	Looper Carrier Rock Shaft Crank (forked) with 159E	2 00
159E	6493	Looper Carrier Rock Shaft Crank Clamping Screw	03
38451	6493	Looper Carrier Rock Shaft Crank Slide Block	50
46043	6493	Looper Carrier Rock Shaft Hinge Pin	75
1508E	6493	" " " " " " " " Nut	06
129E	6493	Looper Carrier Rock Shaft Hinge Pin Set Screw	04
38452	6493	Looper Eccentric with two 465c	1 00

## PARTS FOR MACHINE NO. 62-29

NO.	PLATE	NAME	EACH
465c	6493	Looper Eccentric Set Screw	\$ 02
1143c	6493	" Set Screw	03
38453	6494	" Shaft	50
52553	6494	" " Bracket	50
123E	6494	" " " Screw	06
391D	6494	" " " Screw	02
38393	6493	" Thread Guard	03
590D	6493	" " " Screw	02
38455	6492	Needle Bar (hollow) with 857H	1 00
38456	6493	" " Bushing	50
1133E	6493	" " " Set Screw	02
38458	6494	" " Connecting Link	50
38459	6494	" " " " Hinge Stud	30
1520E	6494	" " " " " " " " Nut	03
38460	6494	Needle Bar Connecting Stud with two 391E	1 00
391E	6494	Needle Bar Connecting Stud Clamping Screw	02
46050	6494	Needle Guard	75
190D	6496	" " Screw	03
857H	6534	" Set Screw	02
17540	6492	Presser Bar	30
38464	6494	" " Bushing (lower)	80
1133E	6493	" " " " Set Screw	02
38456	6493	" " " (upper)	50
1133E	6493	" " " " Set Screw	02
17541	6494	" " Lifter	20
17542	6494	" " " Hinge Pin	05
38466	6494	" " Lifting Bracket with 453c and 892c	1 00
892c	6494	Presser Bar Lifting Bracket Adjusting Screw	05
453c	6494	Presser Bar Lifting Bracket Set Screw	02
38467	6492	" " Spring (flat)	50
38468	6494	" " " Stud	03
52802	6569	" Foot	4 00
52803	6569	" " Guide	35
725J	6569	" " " Screw	02
52804	6569	Presser Foot complete, Nos. 197D, 52802, 52810 and two each 725J and 52803	5 00
190D	6496	Presser Foot Screw	03
574D	6536	Pressure Regulating Thumb Screw	15
1539D	6535	" " " " " " Lock Nut	05
52805	6582	Ruffling Arm (lower)	1 00
38179	6582	" " (upper) with two 190D	1 25

NO.	PLATE	NAME	EACH
175D	6582	Ruffling Arm Adjusting Screw	\$ 02
2291	6582	" " " Washer	01
190D	6582	" " Clamping Screw	03
52806	6582	" " (adjustable) Nos. 2291, 38179, 52805 and two 175D	2 30
52807	---	Ruffling Arm (adjustable) complete, Nos. 226D, 1550H, 24203, 24206, 24581, 52806, 52808, 52809 and two 665D	3 85
52808	6582	Ruffling Blade	40
24203	6582	" " Holder	75
226D	6582	" " " Cap Screw	02
24206	6582	" " " Hinge Stud	10
1550H	6582	" " " " Nut	03
24581	6582	" " " Spring	05
52809	6582	" " " Stop	15
665D	6582	" " Screw	02
52810	6569	" " Tripping Arm for 52804	1 00
197D	6569	" " " " Screw	02
52811	6582	" Regulator with 662D	1 50
52812	6583	" " Connecting Rod with 38184 and two 896E	1 00
*38184	---	Ruffling Regulator Connecting Rod Cap	---
896E	6534	" " " " " "	---
		Screw	04
2049	6521	Ruffling Regulator Pin	01
1038C	6582	" Regulating Screw Stud	10
7070	6582	" " " " Bushing	10
662D	6582	" " " " S t o p Screw	02
1730J	6582	Ruffling Regulating Screw Stud Thumb Nut	10
52813	6583	Ruffling Shaft	25
52814	6583	" " Bracket (left)	40
190D	6496	" " " " Screw	03
52815	6583	" " " (right)	75
129E	6534	" " " " Screw	01
21506	6582	" " Collar with 457C	10
457C	6582	" " " Set Screw	02
46034	6496	Slack Thread Controller	05
46035	6496	" " " Clamp	10
190D	6496	" " " " Screw	03
38472	6496	" " Regulator	1 50
38473	6496	" " " Bracket with 172C and 1823	1 25
172C	6496	Slack Thread Regulator Bracket Clamping Screw	04
38474	6496	Slack Thread Regulator Bushing	20

NO.	PLATE	NAME	EACH
1823	6496	Slack Thread Regulator Roller and Stud	\$ 18
50062D	6496	" " " " Screw	07
1620E	6496	" " " " Nut	03
2102	6496	Tension (under thread) Disc	05
1560C	6496	" " " R e g u l a t i n g Thumb Nut	04
916F	6496	Tension (under thread) Screw Stud	08
10148	6496	" " " Spring	03
17547	6496	" " " Thread Guide	25
2102	6496	" (upper thread) Disc	05
1560C	6496	" " " R e g u l a t i n g Thumb Nut	04
916F	6496	Tension (upper thread) Screw Stud	08
2103	6496	" " " Spring	03
17547	6496	" " " Thread Guide	25
38225	6497	Thread (under) Eyelet (back)	10
190D	6497	" " " " Screw	03
38284	6497	" " " (front)	05
46049	6497	" " " Nipper Cam with 465C	50
465C	6497	" " " Set Screw	02
38210	6497	" " " Spring (lower)	15
38211	6497	" " " " (upper)	25
46247	6497	" " " " " Stop	10
176D	6497	" " " " " Screw	03
38475	6497	" " " Take-up with 465C	1 00
465C	6497	" " " Set Screw	02
38478	6497	" " " Staple with two each 590D and 38481	75
46040	6498	Thread (under) Take-up Staple Bracket with 910C	2 00
690D	6534	Thread (under) Take-up Staple Bracket Screw	05
46041	6497	Thread (under) Take-up Staple Spring	05
190D	6497	" " " " " "	03
910C	6497	Thread (under) Take-up Staple Stop Screw	03
38481	6497	Thread (under) Take-up Staple Thread Guard	10
590D	6497	Thread (under) Take-up Staple Thread Guard Screw	02
38482	6497	Thread (under) Take-up Stripper	60
207D	6497	" " " " " Screw	02
38476	6497	" " " " Thread Guard (left)	15
207D	6497	Thread (under) Take-up Thread Guard (left) Screw	02

NO.	PLATE	NAME	EACH
38477	6497	Thread (under) Take-up Thread Guard (right).....	\$ 20
207D	6497	Thread (under) Take-up Thread Guard (right) Screw.....	02
38483	6496	Thread (upper) Controller.....	40
206F	6496	" " " Screw.....	02
38484	6496	" " Eyelet.....	25
190D	6496	" " " Screw.....	03
38485	6496	" " Take-up with 457c.....	80
457C	6496	" " " Set Screw.....	02
52816	6569	Throat Plate for 52801.....	1 25
691F	6534	" " " Screw.....	04

## LIST OF PARTS COMPLETE FOR MACHINE NO. 62-30

FOR KNIT GOODS AND OTHER FABRICS. ONE NEEDLE, ONE LOOPER,  
HAS VERTICAL TRIMMER THAT TRIMS BY COMPRESSION, AND IS  
ADJUSTABLE TO TRIM  $\frac{1}{16}$  IN. TO  $\frac{3}{16}$  IN. FROM NEEDLE

NO.	PLATE	NAME	EACH
*52735	---	Arm, upper and lower (solid).....	\$22 00
52630	6533	" Oil Tube with 49092, for oiling 46221.....	20
49092	6533	Arm Oil Tube Packing (felt).....	01
46216	6490	" Rock Shaft.....	1 00
46217	6491	" " " Crank (back) with two 1497c.....	80
1497C	6491	Arm Rock Shaft Crank (back) Set Screw.....	05
38412	6491	" " " " (front) with 443c.....	1 25
23724	6491	" " " " " Pin.....	01
443C	6491	" " " " " Set Screw.....	03
46218	6482	" Rotary Shaft.....	3 00
38329	6491	" " " Collar with two 457c.....	25
457C	6491	" " " " Set Screw.....	02
23872	6490	" " " Flanged Bushing.....	1 00
159F	6493	" " " " " Screw.....	03
4784	6533	" " " Oil Pad (felt).....	01
144D	6534	" " " Screw.....	08
17509	6490	" Side Cover (lower).....	15
286D	6535	" " " " Thumb Screw.....	10
52554	6490	" " " (upper).....	20
9533	6533	" " " " Pin.....	02
176D	6494	" " " " Screw.....	03
23873	6482	Balance Wheel with two 430c.....	80
430C	6534	" " " Set Screw.....	04
46321	6483	Cloth Plate.....	2 50
691F	6534	" " " Screw (left).....	04
1094F	6534	" " " (right).....	03
46322H	---	" " Slide (left).....	40
46323H	6488	Cloth Plate Slide (left) complete, Nos. 38419, 46322H and two 725H.....	50
38419	6500	Cloth Plate Slide (left) Spring.....	05
725H	6500	" " " " " Screw.....	02
52631H	6487	" " " (right) with 1602H.....	40
1602H	6535	" " " " Bushing.....	02
286D	6535	" " " " Thumb Screw.....	10

NO.	PLATE	NAME	EACH
46324	—	Cloth Plate complete, Nos. 286D, 46321, 46323H and 52631H.....	\$3 50
46221	6490	Crank Connecting Rod with 46222, 46223 and two each 896E and 1057E.....	2 00
50069c	6535	Crank Connecting Rod Ball Screw Stud	20
1619E	6535	" " " " " "	
		Nut.....	05
*46222	—	Crank Connecting Rod Cap (lower).....	25
	896E 6534	" " " " " Screw.....	04
*46223	—	" " " " (upper).....	35
	1057E 6534	" " " " " Screw.....	04
46225	6533	" " " Washer (fibre).....	02
52780	6503	Cutting Lever.....	40
52633	6503	" " Adjusting Slide.....	2 00
	190D 6503	" " " " " Screw.....	03
	1389F 6503	" " " " " Screw.....	03
46327	6503	" " Cap.....	40
	207F 6503	" " " " " Screw.....	02
52634	6503	" " Connection.....	1 25
	1247c 6503	" " " " " Hinge Screw.....	05
	1247c 6503	" " " " " Hinge Screw.....	05
52781	6503	" " Plate.....	40
	1246c 6503	" " Adjusting Screw.....	12
	1643D 6503	" " " " " T h u m b	
		Nut.....	06
38152	6503	Cutting Plate Adjusting Slide.....	2 00
	207F 6503	" " " " " Screw.....	02
52635	6503	" " Bracket.....	6 25
	2269 6503	" " " " " Dowel Pin.....	01
46330	6503	" " " " " Holder.....	60
	134D 6503	" " " " " Screw.....	05
	176D 6503	" " " " " Screw (lower).....	03
	171D 6503	" " " " " (upper).....	03
38155	6503	" " Friction Plate.....	25
	1247c 6503	" " " " " Screw.....	05
	87F 6503	" " " " " Hinge Screw.....	05
52636	—	Cutting Plate Bracket complete, Nos. 87F, 1246c, 1389F, 1643D, 38152, 38155, 46327, 52633, 52635, 52780, 52781, two each 190D, 1247c and four 207F.....	12 20
46110	6498	Face Plate.....	50
46111	6533	" " Pin.....	02
	286D 6535	" " " " " Thumb Screw.....	10
46332	6498	Feed Bar with 231c.....	2 50
46333	6502	" " Bushing.....	40
23726	6491	" " Hinge Pin.....	50
	231c 6534	" " Set Screw.....	03

NO.	PLATE	NAME	EACH
38426	6491	Feed Bar Slide Block.....	\$ 50
38427	6490	" " Connecting Rod with 1057E, 23865 and two 896E.....	1 50
*23865	—	Feed Connecting Rod Cap.....	30
	896E 6534	" " " " " Screw.....	04
23866	6491	" " " " " Hinge Pin (eccentric).....	20
	1057E 6534	Feed Connecting Rod Hinge Pin Clamping Screw.....	04
52656	6547	Feed Dog.....	2 50
	191c 6534	" " " " " Screw.....	03
*38127	—	" Eccentric.....	2 50
*23729	—	" " " " " Body.....	2 50
	443c 6491	" " " " " Set Screw.....	03
	21331 6491	" " " " " Pressure Spring.....	03
	21332 6491	" " " " " Cap.....	10
	934D 6491	" " " " " " " Screw.....	02
	196F 6491	" " " " " Set Screw.....	02
38128	6491	Feed Eccentric (adjustable) complete, Nos. 196F, 934D, 1103c, 21331, 21332, 23729, 38127 and two 443c.....	5 00
38429	6491	Feed Lifting Eccentric with two 465c.....	1 00
	465c 6491	" " " " " Set Screw.....	02
	1103c 6491	" " " " " Regulating Screw.....	15
38431	6492	" " " " " Rocking Frame.....	1 25
38432	6492	" " " " " Bracket with two 465c.....	50
	123E 6494	Feed Rocking Frame Bracket Screw.....	06
38433	6492	" " " " " Hinge Pin.....	50
	465c 6491	" " " " " " " " " S e t Screw.....	02
46335	6493	Looper with 590D and 38393.....	2 25
46226	6490	" " Bell Crank with 1037c.....	50
38436	6490	" " " " " Hinge Stud.....	1 00
	443c 6491	" " " " " " " " " Set Screw.....	03
46227	6492	Looper Bell Crank Pitman complete, Nos. 1706E, 1713E and 46233 to 46235.....	3 25
50070c	6535	Looper Bell Crank Pitman Ball Screw Stud (upper).....	15
1636E	6535	Looper Bell Crank Pitman Ball Screw Stud (upper) Nut.....	03
46228	6493	Looper Bell Crank Pitman Ball Stud (lower).....	30
	1037c 6493	Looper Bell Crank Pitman Ball Stud (lower) Set Screw.....	04
*46229	—	Looper Bell Crank Pitman Cap (lower).....	—

NO.	PLATE	NAME	EACH
171E	6534	Looper Bell Crank Pitman Cap (lower)	
		Screw.....	\$ 03
*46230	—	Looper Bell Crank Pitman Cap (upper)	—
171E	6534	“ “ “ “ “	
		Screw.....	03
*46231	—	Looper Bell Crank Pitman End Bearing (lower).....	—
*46232	—	Looper Bell Crank Pitman End Bearing (upper).....	—
46233	6492	Looper Bell Crank Pitman Head (lower) Nos. 46228, 46229, 46231 and two 171E	1 50
46234	6492	Looper Bell Crank Pitman Head (upper) Nos. 46230, 46232, 50070c and two 171E	1 50
46235	6492	Looper Bell Crank Pitman Rod.....	20
1706E	6535	“ “ “ “ “ Nut (lower).....	03
1713E	6535	Looper Bell Crank Pitman Rod Nut (upper).....	03
38439	6493	Looper Carrier with 1143c and two 1147c	1 50
38440	6493	“ “ Hinge Pin.....	20
1147c	6493	“ “ “ “ Set Screw.....	03
46236	6492	Looper Carrier Pitman complete, Nos. 1708E, 1709E and 46241 to 46243.....	3 25
50070c	6535	Looper Carrier Pitman Ball Screw Stud (right).....	15
1636E	6535	Looper Carrier Pitman Ball Screw Stud (right) Nut.....	03
46237	6493	Looper Carrier Pitman Ball Stud (left)	25
1147c	6493	“ “ “ “ “ “ Set Screw.....	03
*46238	—	Looper Carrier Pitman Cap (left).....	—
171E	6534	“ “ “ “ “ Screw..	03
*46238	—	“ “ “ “ (right).....	—
171E	6534	“ “ “ “ “ Screw.	03
*46239	—	“ “ “ End Bearing (left)	—
*46240	—	“ “ “ “ (right)	—
46241	6492	“ “ “ Head (left) Nos. 46237 to 46239 and two 171E.....	1 50
46242	6492	Looper Carrier Pitman Head (right) Nos. 46238, 46240, 50070c and two 171E....	1 50
46243	6492	Looper Carrier Pitman Rod.....	20
1708E	6535	“ “ “ “ Nut (left)...	03
1709E	6535	“ “ “ “ (right)...	03
46244	6533	“ “ “ Washer (fibre)...	02
46042	6493	“ “ Rock Shaft with two 175D	2 50
175D	6493	“ “ “ “ Adjusting Screw.....	02

NO.	PLATE	NAME	EACH
38450	6493	Looper Carrier Rock Shaft Crank (forked) with 159E.....	\$2 00
159E	6493	Looper Carrier Rock Shaft Crank Clamping Screw.....	03
38451	6493	Looper Carrier Rock Shaft Crank Slide Block.....	50
46043	6493	Looper Carrier Rock Shaft Hinge Pin	75
1508E	6493	“ “ “ “ “ “ Nut.....	06
129E	6493	Looper Carrier Rock Shaft Hinge Pin Set Screw.....	01
38452	6493	Looper Eccentric with two 465c.....	1 00
46336H	6500	“ “ Cover.....	05
335D	6500	“ “ “ Screw.....	02
465c	6493	“ “ Set Screw.....	02
52661	6500	“ Needle Guard with 46105.....	40
46105	6499	“ “ “ Pin.....	01
229D	6499	“ “ “ Screw.....	02
1143c	6493	“ Set Screw.....	03
38453	6494	“ Shaft.....	50
52553	6494	“ “ Bracket.....	50
123E	6494	“ “ “ Screw.....	06
391D	6494	“ “ Screw.....	02
38393	6493	“ Thread Guard.....	03
590D	6493	“ “ “ Screw.....	02
38008	6492	Needle Bar (hollow) with 857H.....	75
38456	6493	“ “ Bushing.....	50
1133E	6493	“ “ “ Set Screw.....	02
38458	6494	“ “ Connecting Link.....	50
38459	6494	“ “ “ “ Hinge Stud	30
1520E	6494	“ “ “ “ “ “ Nut.....	03
38460	6494	Needle Bar Connecting Stud with two 391E.....	1 00
391E	6494	Needle Bar Connecting Stud Clamping Screw.....	02
46337	6502	Needle Guard.....	75
176D	6494	“ “ Screw.....	03
857H	6534	“ Set Screw.....	02
46092	6492	Presser Bar.....	30
46338	6502	“ “ Bushing (lower).....	60
1133E	6493	“ “ “ “ Set Screw... ..	02
38456	6493	“ “ “ (upper).....	50
1133E	6493	“ “ “ “ Set Screw... ..	02
17541	6494	“ “ Lifter.....	20
17542	6494	“ “ “ Hinge Pin.....	05

NO.	PLATE	NAME	EACH
38466	6494	Presser Bar Lifting Bracket with 453c and 892c.....	\$1 00
	892c 6494	Presser Bar Lifting Bracket Adjusting Screw.....	05
	453c 6494	Presser Bar Lifting Bracket Set Screw....	02
38467	6492	" " Spring (flat).....	50
38468	6494	" " " Stud.....	03
15261	6502	" " Stop Collar with 237F.....	15
	237F 6502	" " " " Set Screw.....	02
11833	6533	" Foot Hinge Pin.....	01
38043	—	" " Plate.....	1 00
23907	—	" " Shank.....	75
38044	6547	Presser Foot (hinged) complete, Nos. 11833, 23907 and 38043.....	1 75
	190D 6496	Presser Foot Screw.....	03
	574D 6536	Pressure Regulating Thumb Screw.....	15
	1539D 6535	" " " " Lock Nut.....	05
46169	6500	Slack Thread Controller.....	05
	193F 6500	" " " Set Screw.....	03
2102	6496	Tension (under thread) Disc.....	05
1560c	6496	" " " Regulating Thumb Nut.....	04
	916F 6496	Tension (under thread) Screw Stud.....	08
10148	6496	" " " Spring.....	03
17547	6496	" " " Thread Guide....	25
2102	6496	" (upper thread) Disc.....	05
1560c	6496	" " " Regulating Thumb Nut.....	04
	916F 6496	Tension (upper thread) Screw Stud.....	08
2103	6496	" " " Spring.....	03
17547	6496	" " " Thread Guide....	25
38225	6497	Thread (under) Eyelet (back).....	10
	190D 6497	" " " " Screw.....	03
38284	6497	" " " (front).....	05
46049	6497	" " Nipper Cam with 465c....	50
	465c 6497	" " " " Set Screw....	02
38210	6497	" " " Spring (lower)....	15
38211	6497	" " " " (upper)....	25
46247	6497	" " " " " Stop	10
	176D 6497	" " " " " Screw.....	03
38475	6497	" " Take-up with 465c.....	1 00
	465c 6497	" " " " Set Screw.....	02
38478	6497	" " " " Staple with two each 590D and 38481.....	75
46040	6498	Thread (under) Take-up Staple Bracket with 910c.....	2 00

NO.	PLATE	NAME	EACH
	690D 6534	Thread (under) Take-up Staple Bracket Screw.....	\$ 05
46041	6497	Thread (under) Take-up Staple Spring	05
	190D 6497	" " " " " " Screw.....	03
	910c 6497	Thread (under) Take-up Staple Stop Screw.....	03
38481	6497	Thread (under) Take-up Staple Thread Guard.....	10
	590D 6497	Thread (under) Take-up Staple Thread Guard Screw.....	02
38482	6497	Thread (under) Take-up Stripper.....	60
	207D 6497	" " " " " Screw..	02
38476	6497	" " " " Thread Guard (left).....	15
	207D 6497	Thread (under) Take-up Thread Guard (left) Screw.....	02
38477	6497	Thread (under) Take-up Thread Guard (right).....	20
	207D 6497	Thread (under) Take-up Thread Guard (right) Screw.....	02
38483	6496	Thread (upper) Controller.....	40
	206F 6496	" " " " " Screw.....	02
46311	6500	" " " Eyelet.....	25
	190D 6500	" " " " " Screw.....	03
46312	6500	" " " Take-up with 223D.....	80
	223D 6500	" " " " " Clamping Screw.	02
52662	6547	Throat Plate for 52656.....	1 50
	691F 6534	" " " " " Screw.....	04

**LIST OF PARTS COMPLETE  
FOR  
MACHINE NO. 62-31**

**FOR KNIT GOODS AND OTHER FABRICS. ONE NEEDLE, ONE LOOPER,  
VERTICAL SHEAR TRIMMER ADJUSTABLE TO TRIM  $\frac{1}{16}$  IN. TO  
 $\frac{3}{16}$  IN. FROM NEEDLE**

NO.	PLATE	NAME	EACH
*52735	—	Arm, upper and lower (solid)	\$22 00
52630	6533	" Oil Tube with 49092, for oiling 46221	20
49092	6533	Arm Oil Tube Packing (felt)	01
46216	6490	" Rock Shaft	1 00
46217	6491	" " " Crank (back) with two 1497c	80
1497c	6491	Arm Rock Shaft Crank (back) Set Screw	05
38412	6491	" " " " (front) with 443c	1 25
23724	6491	" " " " " Pin	01
443c	6491	" " " " " Set Screw	03
46343	6482	" Rotary Shaft	3 00
38329	6491	" " " Collar with two 457c	25
457c	6491	" " " " Set Screw	02
23872	6490	" " " Flanged Bushing	1 00
159F	6493	" " " " " Screw	03
4784	6533	" " " Oil Pad (felt)	01
144D	6534	" " " Screw	08
17509	6490	" Side Cover (lower)	15
286D	6535	" " " " Thumb Screw	10
52554	6490	" " " " (upper)	20
9533	6533	" " " " Pin	02
176D	6494	" " " " Screw	03
23873	6482	Balance Wheel with two 430c	80
430c	6534	" " " Set Screw	04
46321	6483	Cloth Plate	2 50
691F	6534	" " Screw (left)	04
1094F	6534	" " " (right)	03
46322H	—	" " Slide (left)	40
46323H	6488	Cloth Plate Slide (left) complete, Nos. 38419, 46322H and two 725H	50
38419	6500	Cloth Plate Slide (left) Spring	05
725H	6500	" " " " " Screw	02
52631H	6487	" " " (right) with 1602H	40
1602H	6535	" " " " Bushing	02
286D	6535	" " " " Thumb Screw	10

NO.	PLATE	NAME	EACH
46324	—	Cloth Plate complete, Nos. 286D, 46321, 46323H and 52631H	\$3 50
46221	6490	Crank Connecting Rod with 46222, 46223 and two each 896E and 1057E	2 00
50069c	6535	Crank Connecting Rod Ball Screw Stud	20
1619E	6535	" " " " " Nut	05
*46222	—	Crank Connecting Rod Cap (lower)	25
896E	6534	" " " " " Screw	04
*46223	—	" " " " (upper)	35
1057E	6534	" " " " " Screw	04
46225	6533	" " " Washer (fibre)	02
46110	6498	Face Plate	50
46111	6533	" " Pin	02
286D	6535	" " Thumb Screw	10
46332	6498	Feed Bar with 231c	2 50
23716	6491	" " Bushing	40
23726	6491	" " Hinge Pin	50
231c	6534	" " Set Screw	03
38426	6491	" " Slide Block	50
38427	6490	" Connecting Rod with 1057E, 23865 and two 896E	1 50
*23865	—	Feed Connecting Rod Cap	30
896E	6534	" " " " Screw	04
23866	6491	" " " Hinge Pin (eccentric)	20
1057E	6534	Feed Connecting Rod Hinge Pin Clamp- ing Screw	04
52658	6547	Feed Dog	2 50
898D	6534	" " Screw	04
*38127	—	" Eccentric	2 50
*23729	—	" " Body	2 50
443c	6491	" " " Set Screw	03
21331	6491	" " Pressure Spring	03
21332	6491	" " " " Cap	10
934D	6491	" " " " " Screw	02
196F	6491	" " " Set Screw	02
38128	6491	Feed Eccentric (adjustable) complete, Nos. 196F, 934D, 1103c, 21331, 21332, 23729, 38127 and two 443c	5 00
1103c	6491	Feed Regulating Screw	15
38431	6492	" Rocking Frame	1 25
38432	6492	" " " Bracket with two 465c	50
123E	6494	Feed Rocking Frame Bracket Screw	06
38433	6492	" " " Hinge Pin	50
465c	6491	" " " " " Set Screw	02

NO.	PLATE	NAME	EACH
52744	6504	Knife (movable) with 52745 and two 1053b.....	\$ 60
52745	6504	Knife (movable) Chip Ejector.....	50
1053D	6504	" " " " Screw.....	02
52741	6504	" " Connection with 904c....	2 50
46347	6504	" " " Crank.....	50
46348	6504	" " " Bracket with 453c.....	60
134D	6503	Knife (movable) Connection Crank Bracket Screw.....	05
11204	6504	Knife (movable) Connection Crank Hinge Stud.....	15
453C	6504	Knife (movable) Connection Crank Hinge Stud Set Screw.....	02
46349	6504	Knife (movable) Connection Extension	1 00
203D	6504	" " " " Screw.....	03
40247	6504	Knife (movable) Connection Hinge Pin	05
904C	6504	" " " " " " Set Screw.....	02
52742	6504	Knife (movable) Eccentric with two 457c.....	1 00
457C	6504	Knife (movable) Eccentric Set Screw....	02
1042C	6504	" " Hinge Screw.....	06
1554E	6504	" " " " Nut.....	04
46351	6504	" (stationary).....	40
46352	6504	" " Adjusting Lever.....	50
191C	6504	" " " " Screw	03
1250F	6504	" " " " " Stud.....	03
52659	6504	Knife (stationary) Stop.....	1 00
203D	6504	" " " Adjusting Screw (lower).....	03
203D	6504	Knife (stationary) Stop Adjusting Screw (upper).....	03
52660	6504	Knife Bracket.....	5 00
46355	6504	" " Holder with two 178F.....	1 25
178F	6504	" " " Clamping Screw....	03
898D	6534	" " Screw.....	04
46356	—	Knife Bracket complete, Nos. 191c, 1042c, 1250F, 1554E, 46351, 46352, 52659, 52660, 52744 and two 203D.....	7 75
46335	6493	Looper with 590D and 38393.....	2 25
46226	6490	" Bell Crank with 1037c.....	50
38436	6490	" " " Hinge Stud.....	1 00
443C	6491	" " " " " Set Screw.	03

NO.	PLATE	NAME	EACH
46227	6492	Looper Bell Crank Pitman complete, Nos. 1706E, 1713E and 46233 to 46235.....	\$3 25
50070C	6535	Looper Bell Crank Pitman Ball Screw Stud (upper).....	15
1636E	6535	Looper Bell Crank Pitman Ball Screw Stud (upper) Nut.....	03
46228	6493	Looper Bell Crank Pitman Ball Stud (lower).....	30
1037C	6493	Looper Bell Crank Pitman Ball Stud (lower) Set screw.....	01
*46229	—	Looper Bell Crank Pitman Cap (lower)	—
171E	6534	" " " " " " " " Screw.....	03
*46230	—	Looper Bell Crank Pitman Cap (upper)	—
171E	6534	" " " " " " " " Screw.....	03
*46231	—	Looper Bell Crank Pitman End Bearing (lower).....	—
*46232	—	Looper Bell Crank Pitman End Bearing (upper).....	—
46233	6492	Looper Bell Crank Pitman Head (lower) Nos. 46228, 46229, 46231 and two 171E	1 50
46234	6492	Looper Bell Crank Pitman Head (upper) Nos. 46230, 46232, 50070C and two 171E	1 50
46235	6492	Looper Bell Crank Pitman Rod.....	20
1706E	6535	" " " " " " N u t (lower).....	03
1713E	6535	Looper Bell Crank Pitman Rod Nut (upper).....	03
38439	6493	Looper Carrier with 1143C and two 1147C	1 50
38440	6493	" " Hinge Pin.....	20
1147C	6493	" " " " Set Screw.....	03
46236	6492	Looper Carrier Pitman complete, Nos. 1708E, 1709E and 46241 to 46243.....	3 25
50070C	6535	Looper Carrier Pitman Ball Screw Stud (right).....	15
1636E	6535	Looper Carrier Pitman Ball Screw Stud (right) Nut.....	03
46237	6493	Looper Carrier Pitman Ball Stud (left)	25
1147C	6493	" " " " " " " " Set Screw.....	03
*46238	—	Looper Carrier Pitman Cap (left).....	—
171E	6534	" " " " " " " " Screw..	03
*46238	—	" " " " " " (right).....	—
171E	6534	" " " " " " " " Screw.	03
*46239	—	" " " End Bearing (left)	—
*46240	—	" " " " " " (right)	—



NO.	PLATE	NAME	EACH
46241	6492	Looper Carrier Pitman Head (left) Nos. 46237 to 46239 and two 171E.....	\$1 50
46242	6492	Looper Carrier Pitman Head (right) Nos. 46238, 46240, 50070c and two 171E.....	1 50
46243	6492	Looper Carrier Pitman Rod.....	20
1708E	6535	" " " " Nut (left)....	03
1709E	6535	" " " " " (right)....	03
46244	6533	" " " Washer (fibre)....	02
46042	6493	" " Rock Shaft with two 175D	2 50
175D	6493	" " " " Adjusting Screw.....	02
38450	6493	Looper Carrier Rock Shaft Crank (forked) with 159E.....	2 00
159E	6493	Looper Carrier Rock Shaft Crank Clamping Screw.....	03
38451	6493	Looper Carrier Rock Shaft Crank Slide Block.....	50
46043	6493	Looper Carrier Rock Shaft Hinge Pin	75
1508E	6493	" " " " " " " " Nut.....	06
129E	6493	Looper Carrier Rock Shaft Hinge Pin Set Screw.....	04
38452	6493	Looper Eccentric with two 465c.....	1 00
46336H	6500	" " Cover.....	05
335D	6500	" " " Screw.....	02
465c	6493	" " Set Screw.....	02
52661	6500	" Needle Guard with 46105.....	40
46105	6499	" " " Pin.....	01
229D	6499	" " " Screw.....	02
1143c	6493	" Set Screw.....	03
46358	6502	" Shaft and Feed Lifting Eccentric	2 50
52553	6494	" " " " " " " " Bracket.....	50
123E	6494	Looper Shaft and Feed Lifting Eccentric Bracket Screw.....	06
391D	6494	Looper Shaft and Feed Lifting Eccentric Screw.....	02
38393	6493	Looper Thread Guard.....	03
590D	6493	" " " Screw.....	02
38455	6492	Needle Bar (hollow) with 857H.....	1 00
38456	6493	" " Bushing.....	50
1133E	6493	" " " Set Screw.....	02
38458	6494	" " Connecting Link.....	50
38459	6494	" " " " Hinge Stud	30
1520E	6494	" " " " " " " " Nut.....	03

NO.	PLATE	NAME	EACH
38460	6494	Needle Bar Connecting Stud with two 391E.....	\$1 00
391E	6194	Needle Bar Connecting Stud Clamping Screw.....	02
52673	6505	Needle Guard.....	75
176D	6194	" " Screw.....	03
857H	6534	" Set Screw.....	02
17540	6492	Presser Bar.....	30
46359	6505	" " Bushing (lower).....	80
1133E	6493	" " " " Set Screw....	02
38456	6493	" " " (upper).....	50
1133E	6493	" " " " Set Screw....	02
17541	6494	" " Lifter.....	20
17542	6494	" " " Hinge Pin.....	05
38466	6494	" " Lifting Bracket with 453c and 892c.....	1 00
892c	6494	Presser Bar Lifting Bracket Adjusting Screw.....	05
453c	6494	Presser Bar Lifting Bracket Set Screw....	02
38467	6492	" " Spring (flat).....	50
38468	6494	" " " Stud.....	03
15261	6502	" " Stop Collar with 237F.....	15
237F	6502	" " " " Set Screw.....	02
18055	6533	" Foot Hinge Pin.....	01
46360	-----	" " Plate.....	1 00
46361	-----	" " Shank.....	75
46362	6517	Presser Foot (hinged) complete, Nos. 18055, 46360 and 46361.....	1 75
190D	6496	Presser Foot Screw.....	03
574D	6536	Pressure Regulating Thumb Screw.....	15
1539D	6535	" " " " Lock Nut.....	05
46169	6500	Slack Thread Controller.....	05
193F	6500	" " " Set Screw.....	03
2102	6496	Tension (under thread) Disc.....	05
1560c	6496	" " " Regulating Thumb Nut.....	04
916F	6496	Tension (under thread) Screw Stud.....	08
10148	6496	" " " Spring.....	03
17547	6496	" " " Thread Guide....	25
2102	6496	" (upper thread) Disc.....	05
1560c	6496	" " " Regulating Thumb Nut.....	04
916F	6496	Tension (upper thread) Screw Stud.....	08
2103	6496	" " " Spring.....	03
17547	6496	" " " Thread Guide....	25

NO.	PLATE	NAME	EACH
38225	6497	Thread (under) Eyelet (back).....	\$ 10
190D	6497	" " " " Screw.....	03
38284	6497	" " " (front).....	05
46049	6497	" " Nipper Cam with 465c....	50
465c	6497	" " " " Set Screw....	02
38210	6497	" " " Spring (lower)....	15
38211	6497	" " " (upper)....	25
46247	6497	" " " " " Stop	10
176D	6497	" " " " Screw.....	03
38475	6497	" " Take-up with 465c.....	1 00
465c	6497	" " " Set Screw.....	02
38478	6497	" " " Staple with two	
		each 590D and 38481.....	75
46040	6498	Thread (under) Take-up Staple Bracket	
		with 910c.....	2 00
690D	6534	Thread (under) Take-up Staple Bracket	
		Screw.....	05
46041	6497	Thread (under) Take-up Staple Spring	05
190D	6497	" " " " " "	
		Screw.....	03
910c	6497	Thread (under) Take-up Staple Stop	
		Screw.....	03
38481	6497	Thread (under) Take-up Staple Thread	
		Guard.....	10
590D	6497	Thread (under) Take-up Staple Thread	
		Guard Screw.....	02
38482	6497	Thread (under) Take-up Stripper.....	60
207D	6497	" " " " Screw..	02
38476	6497	" " " Thread Guard	
		(left).....	15
207D	6497	Thread (under) Take-up Thread Guard	
		(left) Screw.....	02
38477	6497	Thread (under) Take-up Thread Guard	
		(right).....	20
207D	6497	Thread (under) Take-up Thread Guard	
		(right) Screw.....	02
38483	6496	Thread (upper) Controller.....	40
206F	6496	" " " Screw.....	02
46311	6500	" " Eyelet.....	25
190D	6500	" " " Screw.....	03
46312	6500	" " Take-up with 223D.....	80
223D	6500	" " " Clamping Screw.	02
52662	6547	Throat Plate for 52658.....	1 50
691F	6534	" " " Screw.....	04

## LIST OF PARTS COMPLETE FOR MACHINE NO. 62-32

FOR CLOSING SHOES AND GLOVES, ALSO EDGE STITCHING. ONE  
NEEDLE, ONE LOOPER, HAS VERTICAL TRIMMER ADJUSTABLE  
TO TRIM  $\frac{1}{32}$  IN. TO  $\frac{3}{32}$  IN. FROM NEEDLE, ALTER-  
NATING PRESSERS

NO.	PLATE	NAME	EACH
*46397	---	Arm, upper and lower (solid).....	\$20 00
52630	6533	" Oil Tube with 49092, for oiling	
		46221.....	20
49092	6533	Arm Oil Tube Packing (felt).....	01
46398	6507	" Rock Shaft.....	1 00
46217	6491	" " " Crank (back) with two	
		1497c.....	80
1497c	6491	Arm Rock Shaft Crank (back) Set Screw.	05
46399	6502	" " " (front) with 448c	
		and 457c.....	1 50
23724	6491	Arm Rock Shaft Crank (front) Pin.....	01
448c	6502	" " " " " Set Screw.	03
46218	6482	" Rotary Shaft.....	3 00
38329	6491	" " " Collar with two 457c..	25
457c	6491	" " " " Set Screw.....	02
23872	6490	" " " Flanged Bushing.....	1 00
159F	6493	" " " " " Screw	03
4784	6533	" " " Oil Pad (felt).....	01
144D	6534	" " " Screw.....	08
17509	6490	" Side Cover (lower).....	15
286D	6535	" " " " Thumb Screw...	10
52554	6490	" " " (upper).....	20
9533	6533	" " " " Pin.....	02
176D	6494	" " " " Screw.....	03
23873	6482	Balance Wheel with two 430c.....	80
430c	6534	" " " Set Screw.....	04
46096	6484	Cloth Plate.....	2 50
691F	6534	" " Screw (left).....	04
1094F	6534	" " " (right).....	03
38418	---	" " Slide (left).....	30
38420	6486	Cloth Plate Slide (left) complete, Nos.	
		38418, 38419 and two 725H.....	40
38419	6500	Cloth Plate Slide (left) Spring.....	05
725H	6500	" " " " " Screw.....	02

NO.	PLATE	NAME	EACH
46400	6487	Cloth Plate Slide (right) with 1602H.....	\$ 30
1602H	6535	" " " " Bushing.....	02
286D	6535	" " " " Thumb Screw.....	10
46401	—	Cloth Plate complete, Nos. 286D, 38420, 46096 and 46400.....	3 30
46221	6490	Crank Connecting Rod with 46222, 46223 and two each 896E and 1057E.....	2 00
50069C	6535	Crank Connecting Rod Ball Screw Stud	20
1619E	6535	" " " " " " "	
		Nut.....	05
*46222	—	Crank Connecting Rod Cap (lower).....	25
896E	6534	" " " " " Screw.....	01
*46223	—	" " " " (upper).....	35
1057E	6534	" " " " " Screw.....	04
46225	6533	" " " Washer (fibre).....	02
46402	6498	Face Plate with 316F, 735C, 29086, 46289 and 46428.....	1 00
171D	6534	Face Plate Screw.....	03
38425	6490	Feed Bar with 231C and 460C.....	2 50
23716	6491	" " Bushing.....	40
23726	6491	" " Hinge Pin.....	50
231C	6534	" " Set Screw.....	03
38426	6491	" " Slide Block.....	50
38427	6490	" Connecting Rod with 1057E, 23865 and two 896E.....	1 50
*23865	—	Feed Connecting Rod Cap.....	30
896E	6534	" " " " Screw.....	04
23866	6491	" " " Hinge Pin (eccentric).....	20
1057E	6534	Feed Connecting Rod Hinge Pin Clamp- ing Screw.....	01
52725	6548	Feed Dog.....	1 00
157D	6534	" " Screw.....	01
460C	6534	" " Stop Screw.....	02
*38127	—	" Eccentric.....	2 50
*23729	—	" Body.....	2 50
443C	6491	" " Set Screw.....	03
21331	6491	" " Pressure Spring.....	03
21332	6491	" " " " Cap.....	10
934D	6491	" " " " " Screw.....	02
196F	6491	" " Set Screw.....	02
38128	6491	Feed Eccentric (adjustable) complete, Nos. 196F, 934D, 1103C, 21331, 21332, 23729, 38127 and two 443C.....	5 00
38429	6491	Feed Lifting Eccentric with two 465C....	1 00
46113	6500	" " " Cover.....	10
335D	6500	" " " " Screw.....	02

NO.	PLATE	NAME	EACH
465C	6491	Feed Lifting Eccentric Set Screw.....	\$ 02
1103C	6491	" Regulating Screw.....	15
38431	6492	" Rocking Frame.....	1 25
38432	6492	" " " Bracket with two 465C.....	50
123E	6494	Feed Rocking Frame Bracket Screw.....	06
38433	6492	" " " Hinge Pin.....	50
465C	6491	" " " " " " " Set Screw.....	02
36573	4846	Guide (cast iron).....	15
36557	4846	" Chip Guard for 36573.....	15
286D	6535	" Thumb Screw.....	10
2424	6506	Knife.....	08
46403	6508	" Bar.....	30
287D	6506	" " Cap Screw.....	10
46404	6506	" " Connecting Link.....	75
212D	6506	" " " " Cap Screw....	04
46405	6506	" " " " Hinge Bracket	1 00
391F	6506	" " " " " " "	
		Screw.....	02
646C	6506	Knife Bar Connecting Link Hinge Stud..	02
46406	6506	" " " Stud.....	1 00
46407	—	Knife Bar Connecting Stud complete, Nos. 733D, 1563D, 27114, 46406 and 46408.....	1 25
46408	6506	Knife Bar Coupling Pin.....	10
733D	6506	" " " " Bushing.....	08
1563D	6506	" " " " Head.....	01
27114	6506	" " " " Spring.....	02
52525	6506	" " Guide with 857H.....	50
42007	6506	" " " Bar.....	15
440F	6506	" " " Set Screw.....	03
857H	6506	" " " Set Screw.....	02
46411	6506	" " Lifting Spring.....	03
196F	6506	" Clamping Screw.....	02
46412	6506	" Holder with 196F.....	75
46413	—	Knife Holder complete, Nos. 46412, 46414, 46415 and two 335H.....	2 25
46414	6506	Knife Holder Adjusting Bracket.....	75
335H	6506	" " " " Screw....	02
46415	6506	" " Body with 202F.....	75
202F	6506	" " " Clamping Screw.....	02
335H	6506	" " Screw.....	02
17510	6492	Lifting Presser Bar.....	30
19356	6505	" " " Bell Crank.....	1 00
199F	6505	" " " " " Cap Screw	04

NO.	PLATE	NAME	EACH
19357	6505	Lifting Presser Bar Bell Crank Connecting Link.....	\$ 35
199F	6505	Lifting Presser Bar Bell Crank Connecting Link Cap Screw.....	04
46416	6505	Lifting Presser Bar Bell Crank Driving Arm with 1186d.....	1 25
1186D	6505	Lifting Presser Bar Bell Crank Driving Arm Clamping Screw.....	04
46417	6505	Lifting Presser Bar Bell Crank Driving Arm Connection.....	75
212D	6505	Lifting Presser Bar Bell Crank Driving Arm Connection Cap Screw.....	04
46418	6505	Lifting Presser Bar Bell Crank Driving Arm Connection Hinge Stud.....	15
457c	6505	Lifting Presser Bar Bell Crank Driving Arm Connection Hinge Stud Set Screw.....	02
1316c	6505	Lifting Presser Bar Ball Crank Driving Arm Connection Screw Stud.....	08
46419	6505	Lifting Presser Bar Bell Crank Driving Arm Shaft.....	1 00
46420	6505	Lifting Presser Bar Bell Crank Driving Arm Shaft Bracket.....	40
896E	6505	Lifting Presser Bar Bell Crank Driving Arm Shaft Bracket Screw.....	04
46073	6493	Lifting Presser Bar Bushing (lower).....	80
1133E	6493	" " " " " Set Screw.....	02
38456	6493	Lifting Presser Bar Bushing (upper).....	50
1133E	6493	" " " " " Set Screw.....	02
17541	6494	Lifting Presser Bar Lifter.....	20
17542	6494	" " " " Hinge Pin.....	05
46421	6505	" " " Lifting Bracket with 157b and 892c.....	2 50
892c	6494	Lifting Presser Bar Lifting Bracket Adjusting Screw.....	05
157D	6505	Lifting Presser Bar Lifting Bracket Clamping Screw.....	04
46422	6508	Lifting Presser Bar Spring (flat).....	50
38468	6494	" " " " Stud.....	03
46423	6548	" " Foot.....	80
203D	6534	" " " Screw.....	03
46335	6493	Looper with 590b and 38393.....	2 25
46226	6490	" Bell Crank with 1037c.....	50
38436	6490	" " " Hinge Stud.....	1 00
443c	6491	" " " " " Set Screw.....	03

NO.	PLATE	NAME	EACH
46227	6492	Looper Bell Crank Pitman complete, Nos. 1706E, 1713E and 46233 to 46235.....	\$3 25
50070c	6535	Looper Bell Crank Pitman Ball Screw Stud (upper).....	15
1636E	6535	Looper Bell Crank Pitman Ball Screw Stud (upper) Nut.....	03
46228	6493	Looper Bell Crank Pitman Ball Stud (lower).....	30
1037c	6493	Looper Bell Crank Pitman Ball Stud (lower) Set Screw.....	04
*46229	---	Looper Bell Crank Pitman Cap (lower)	---
171E	6534	" " " " " " " Screw.....	03
*46230	---	Looper Bell Crank Pitman Cap (upper)	---
171E	6534	" " " " " " " Screw.....	03
*46231	---	Looper Bell Crank Pitman End Bearing (lower).....	---
*46232	---	Looper Bell Crank Pitman End Bearing (upper).....	---
46233	6492	Looper Bell Crank Pitman Head (lower) Nos. 46228, 46229, 46231 and two 171E	1 50
46234	6492	Looper Bell Crank Pitman Head (upper) Nos. 46230, 46232, 50070c and two 171E	1 50
46235	6492	Looper Bell Crank Pitman Rod.....	20
1706E	6535	" " " " " " Nut (lower).....	03
1713E	6535	Looper Bell Crank Pitman Rod Nut (upper).....	03
38439	6493	Looper Carrier with 1143c and two 1147c	1 50
38440	6493	" " Hinge Pin.....	20
1147c	6493	" " " " Set Screw.....	03
46236	6492	Looper Carrier Pitman complete, Nos. 1708E, 1709E and 46241 to 46243.....	3 25
50070c	6535	Looper Carrier Pitman Ball Screw Stud (right).....	15
1636E	6535	Looper Carrier Pitman Ball Screw Stud (right) Nut.....	03
46237	6493	Looper Carrier Pitman Ball Stud (left)	25
1147c	6493	" " " " " " " Set Screw.....	03
*46238	---	Looper Carrier Pitman Cap (left).....	---
171E	6534	" " " " " " Screw.....	03
*46238	---	" " " " (right).....	---
171E	6534	" " " " " " Screw.....	03
*46239	---	" " " End Bearing (left).....	---

NO.	PLATE	NAME	EACH
*46240	—	Looper Carrier Pitman End Bearing (right)	\$ —
46241	6492	Looper Carrier Pitman Head (left) Nos. 46237 to 46239 and two 171E	1 50
46242	6492	Looper Carrier Pitman Head (right) Nos. 46238, 46240, 50070c and two 171E	1 50
46243	6492	Looper Carrier Pitman Rod	20
1708E	6535	" " " " Nut (left)	03
1709E	6535	" " " " " (right)	03
46244	6533	" " " Washer (fibre)	02
46042	6493	" " Rock Shaft with two 175D	2 50
175D	6493	" " " " Adjusting Screw	02
38450	6493	Looper Carrier Rock Shaft Crank (forked) with 159F	2 00
159E	6493	Looper Carrier Rock Shaft Crank Clamping Screw	03
38451	6493	Looper Carrier Rock Shaft Crank Slide Block	50
46043	6493	Looper Carrier Rock Shaft Hinge Pin	75
1508E	6493	" " " " " " " " Nut	06
129E	6493	Looper Carrier Rock Shaft Hinge Pin Set Screw	01
38452	6493	Looper Eccentric with two 465c	1 00
465C	6493	" " Set Screw	02
46104	6499	" Needle Guard with 46105	40
46105	6499	" " " Pin	01
229D	6499	" " " Screw	02
1143C	6493	" Set Screw	03
38453	6494	" Shaft	50
52553	6494	" " Bracket	50
123E	6494	" " " Screw	06
391D	6494	" " " Screw	02
38393	6493	" Thread Guard	03
590D	6493	" " " Screw	02
38093	6508	Needle Bar (hollow) with 1072F	60
38456	6493	" " Bushing	50
1133E	6493	" " " Set Screw	02
46424	6509	" " Connecting Link	75
38459	6494	" " " " Hinge Stud	30
1520E	6494	" " " " " " " " Nut	03
46425	6509	Needle Bar Connecting Stud with two 391E	1 00
391E	6509	Needle Bar Connecting Stud Clamping Screw	02

NO.	PLATE	NAME	EACH
46337	6502	Needle Guard	\$ 75
176D	6494	" " Screw	03
1072F	6534	" Set Screw	02
574D	6536	Pressure Regulating Thumb Screw	15
1539D	6535	" " " " Lock Nut	05
46169	6500	Slack Thread Controller	05
193F	6500	" " " Set Screw	03
2102	6496	Tension (under thread) Disc	05
1560c	6496	" " " " Regulating Thumb Nut	04
916F	6496	Tension (under thread) Screw Stud	08
10148	6496	" " " Spring	03
17547	6496	" " " Thread Guide	25
2102	6496	" (upper thread) Disc	05
1560c	6496	" " " " Regulating Thumb Nut	04
916F	6496	Tension (upper thread) Screw Stud	08
2103	6496	" " " Spring	03
17547	6496	" " " Thread Guide	25
38225	6497	Thread (under) Eyelet (back)	10
190b	6497	" " " " Screw	03
38284	6497	" " " (front)	05
46049	6497	" " Nipper Cam with 465c	50
465c	6497	" " " " Set Screw	02
38210	6497	" " " Spring (lower)	15
38211	6497	" " " " (upper)	25
46247	6497	" " " " " Stop	10
176D	6497	" " " " " Screw	03
38475	6497	" " " Take-up with 465c	1 00
465c	6497	" " " " Set Screw	02
38478	6497	" " " " Staple with two each 590b and 38481	75
46040	6498	Thread (under) Take-up Staple Bracket with 910c	2 00
690b	6534	Thread (under) Take-up Staple Bracket Screw	05
46041	6497	Thread (under) Take-up Staple Spring	05
190b	6497	" " " " " " " " Screw	03
910c	6497	Thread (under) Take-up Staple Stop Screw	03
38481	6497	Thread (under) Take-up Staple Thread Guard	10
590b	6497	Thread (under) Take-up Staple Thread Guard Screw	02
38482	6497	Thread (under) Take-up Stripper	60

NO.	PLATE	NAME	EACH
207D	6497	Thread (under) Take-up Stripper Screw..	\$ 02
38476	6497	" " " Thread Guard (left).....	15
207D	6497	Thread (under) Take-up Thread Guard (left) Screw.....	02
38477	6497	Thread (under) Take-up Thread Guard (right).....	20
207D	6497	Thread (under) Take-up Thread Guard (right) Screw.....	02
38483	6496	Thread (upper) Controller.....	40
206F	6496	" " " Screw.....	02
46311	6500	" " Eyelet.....	25
190D	6500	" " " Screw.....	03
46312	6500	" " Take-up with 223D.....	80
223D	6500	" " " Clamping Screw.....	02
38094	6548	Throat Plate Cutting Bar.....	30
NOTE. When ordering No. 38094 state required distance of trimmed edge from seam.			
238D	6548	Throat Plate Cutting Bar Screw.....	02
52726	6548	" " Slide.....	25
38096	6548	" " " Spring.....	05
242D	6548	" " " " Screw.....	02
52727	6548	Throat Plate complete for 52725, Nos. 242D, 38094, 38096, 52726 and two 238D	2 00
NOTE. When ordering No. 52727 state required distance of trimmed edge from seam.			
691F	6534	Throat Plate Screw.....	04
46427	6509	Vibrating Presser Bar.....	60
199F	6505	" " " Cap Screw.....	04
29086	6509	" " " Spring.....	02
316F	6509	" " " Stop Screw.....	03
46428	6509	" " " Stud.....	05
46289	6499	" " " Stop (rawhide).....	01
735C	6499	" " " " Adjusting Screw.....	02
46429	6548	Vibrating Presser Foot.....	80
203D	6534	" " " Screw.....	03

## LIST OF PARTS COMPLETE FOR MACHINE NO. 62-35

**FOR STAYING SHOES. TWO NEEDLES, TWO LOOPERS, GAUGES  $\frac{3}{32}$  IN.  
TO  $\frac{3}{16}$  IN.**

NO.	PLATE	NAME	EACH
*52736	-----	Arm, upper and lower (solid).....	\$20 00
52630	6533	" Oil Tube with 49092, for oiling 46221.....	20
49092	6533	Arm Oil Tube Packing (felt).....	01
46216	6490	" Rock Shaft.....	1 00
46217	6191	" " " Crank (back) with two 1497c.....	80
1497c	6491	Arm Rock Shaft Crank (back) Set Screw.....	05
38412	6491	" " " " (front) with 443c.....	1 25
23724	6491	" " " " " Pin.....	01
443c	6191	" " " " " Set Screw.....	03
46218	6482	" Rotary Shaft.....	3 00
38329	6191	" " " Collar with two 457c.....	25
457c	6494	" " " " Set Screw.....	02
23872	6490	" " " Flanged Bushing.....	1 00
159F	6493	" " " " " Screw.....	03
4784	6533	" " " Oil Pad (felt).....	01
144D	6534	" " " Screw.....	08
17509	6490	" Side Cover (lower).....	15
286D	6535	" " " " Thumb Screw.....	10
52554	6490	" " " (upper).....	20
9533	6533	" " " " Pin.....	02
176D	6494	" " " " Screw.....	03
23873	6482	Balance Wheel with two 430c.....	80
430c	6534	" " " Set Screw.....	04
38414	6483	Cloth Plate.....	2 50
691F	6534	" " " Screw (left).....	04
1094F	6534	" " " (right).....	03
38415	-----	" " Slide (large) with 1602u.....	60
38417	6486	Cloth Plate Slide (large) complete, Nos. 38415, two 38416 and four 725u.....	75
1602H	6535	Cloth Plate Slide (large) Bushing.....	02
38416	6500	" " " " Spring.....	05
725H	6500	" " " " " Screw.....	02
38418	-----	" " " (small).....	30
38420	6486	Cloth Plate Slide (small) complete, Nos. 38418, 38419 and two 725u.....	40



NO.	PLATE	NAME	EACH
1147c	6493	Looper Carrier Hinge Pin Set Screw.....	\$ 03
46236	6492	Looper Carrier Pitman complete, Nos. 1708E, 1709E and 46241 to 46243.....	3 25
50070c	6535	Looper Carrier Pitman Ball Screw Stud (right).....	15
1636E	6535	Looper Carrier Pitman Ball Screw Stud (right) Nut.....	03
46237	6493	Looper Carrier Pitman Ball Stud (left)	25
1147c	6493	" " " " " "	
		Set Screw.....	03
*46238	—	Looper Carrier Pitman Cap (left).....	—
171E	6534	" " " " " Screw...	03
*46238	—	" " " " (right).....	—
171E	6534	" " " " " Screw.....	03
*46239	—	" " " " End Bearing (left).....	—
*46240	—	" " " " " (right).....	—
46241	6492	" " " " Head (left) Nos. 46237 to 46239 and two 171E.....	1 50
46242	6492	Looper Carrier Pitman Head (right) Nos. 46238, 46240, 50070c and two 171E....	1 50
46243	6492	Looper Carrier Pitman Rod.....	20
1708E	6535	" " " " " Nut (left)...	03
1709E	6535	" " " " " (right)...	03
46244	6533	" " " " Washer (fibre)...	02
46042	6493	" " " " Rock Shaft with two 175D	2 50
175D	6493	" " " " " Adjusting Screw.....	02
38450	6493	Looper Carrier Rock Shaft Crank (forked) with 159E.....	2 00
159E	6493	Looper Carrier Rock Shaft Crank Clamp- ing Screw.....	03
38451	6493	Looper Carrier Rock Shaft Crank Slide Block.....	50
46043	6493	Looper Carrier Rock Shaft Hinge Pin	75
1508E	6493	" " " " " "	
		Nut.....	06
129E	6493	Looper Carrier Rock Shaft Hinge Pin Set Screw.....	01
38452	6493	Looper Eccentric with two 465c.....	1 00
465c	6493	" " " " " Set Screw.....	02
38453	6494	" " Shaft.....	50
52553	6494	" " " Bracket.....	50
123E	6494	" " " " Screw.....	06
391D	6494	" " " " Screw.....	02
46051	6508	Needle Bar.....	60
46052	—	Needle Bar complete, Nos. 46051 and 46053.....	1 20

NO.	PLATE	NAME	EACH
38456	6493	Needle Bar Bushing.....	\$ 50
1133E	6493	" " " " " Set Screw.....	02
38458	6494	" " " " " Connecting Link.....	50
38459	6494	" " " " " " " " " Hinge Stud	30
1520E	6494	" " " " " " " " " "	
		Nut.....	03
38460	6494	Needle Bar Connecting Stud with two 391E.....	1 00
391E	6494	Needle Bar Connecting Stud Clamping Screw.....	02
46053	6510	Needle Clamp with 46054 and two 1072E.	60
46054	6510	" " " " Thread Guide (two pieces).	03
38461	6510	" " " " " Guard (back).....	75
176D	6494	" " " " " " Screw.....	03
46001	6510	" " " " " (front).....	75
206D	6534	" " " " " " Screw.....	02
1072E	6534	" " " " " " Set Screw.....	02
46002	6533	Oil Cup (tension) double, with two 38463.....	30
38463	6533	Oil Cup (tension) Packing (felt).....	02
225E	6533	" " " " " " Screw.....	03
46003	6533	" " " " (take-up) with 12443.....	30
12443	6533	" " " " " " Packing (felt).....	01
17540	6492	Presser Bar.....	30
38464	6494	" " " " " Bushing (lower).....	80
1133E	6493	" " " " " " " " " Set Screw...	02
38456	6493	" " " " " " " " " (upper).....	50
1133E	6493	" " " " " " " " " " Set Screw...	02
17541	6494	" " " " " " Lifter.....	20
17542	6494	" " " " " " " " " Hinge Pin.....	05
38466	6494	" " " " " " " " " Lifting Bracket with 453c and 892c.....	1 00
892c	6494	Presser Bar Lifting Bracket Adjusting Screw.....	05
453c	6494	Presser Bar Lifting Bracket Set Screw...	02
46125	6508	" " " " " Spring (flat).....	50
38468	6494	" " " " " " Stud.....	03
46004	6549	" " " " " " " " " Foot with 46005, 46006 and four 1208D.....	2 50
46005	6549	Presser Foot Needle Guard (left).....	25
46006	6549	" " " " " " " " " (right).....	25
1208D	6549	" " " " " " " " " " Screw.....	02
46215	6549	" " " " " " " " " with 46005, 46006 and four 1208D, for staying welted seams.....	3 00
46005	6549	Presser Foot Needle Guard (left).....	25
46006	6549	" " " " " " " " " (right).....	25
1208D	6549	" " " " " " " " " " " " Screw.....	02



NO.	PLATE	NAME	EACH
52579	6549	Presser Foot Guide (left).....	\$1 50
337D	6549	“ “ “ Screw (back).....	02
665D	6549	“ “ “ “ (front).....	02
26276	6533	“ “ Hinge Pin.....	01
52580	—	“ “ Plate.....	3 50
52581	—	“ “ Shank.....	2 00
52582	6549	Presser Foot (side hinged) with left guide, complete, Nos. 337D, 665D, 26276 and 52579 to 52581.....	7 00
52719	6549	Presser Foot Guide (right).....	1 50
337D	6549	“ “ “ Screw.....	02
26276	6533	“ “ Hinge Pin.....	01
52720	—	“ “ Plate.....	3 50
52721	—	“ “ Shank.....	2 00
52722	6549	Presser Foot (side hinged) with right guide, complete, Nos. 26276, 52719 to 52721 and two 337D.....	7 00
190D	6496	Presser Foot Screw.....	03
574D	6536	Pressure Regulating Thumb Screw.....	15
1539D	6535	“ “ “ “ Lock Nut.....	05
46034	6496	Slack Thread Controller.....	05
46035	6496	“ “ “ “ Clamp.....	10
190D	6496	“ “ “ “ Screw.....	03
46007	6510	“ “ Regulator.....	1 25
38473	6496	“ “ “ Bracket with 172c and 1823.....	1 25
172c	6496	Slack Thread Regulator Bracket Clamping Screw.....	04
38474	6496	Slack Thread Regulator Bushing.....	20
1823	6496	“ “ “ Roller and Stud.....	18
50062D	6496	“ “ “ Screw.....	07
1620E	6496	“ “ “ “ Nut.....	03
2102	6496	Tension (under thread) Disc.....	05
1560C	6496	“ “ “ Regulating Thumb Nut.....	04
916F	6496	Tension (under thread) Screw Stud.....	08
10148	6496	“ “ “ Spring.....	03
17547	6496	“ “ “ Thread Guide.....	25
2102	6496	“ (upper thread) Disc.....	05
1560C	6496	“ “ “ Regulating Thumb Nut.....	04
916F	6496	Tension (upper thread) Screw Stud.....	08
2103	6496	“ “ “ Spring.....	03
17547	6496	“ “ “ Thread Guide.....	25
38225	6497	Thread (under) Eyelet (back).....	10
190D	6497	“ “ “ “ Screw.....	03
38284	6497	“ “ “ (front).....	05

NO.	PLATE	NAME	EACH
46049	6497	Thread (under) Nipper Cam with 465c... \$	50
465c	6497	“ “ “ “ Set Screw... 02	02
38210	6497	“ “ “ “ Spring (lower).... 15	15
38211	6497	“ “ “ “ (upper).... 25	25
46247	6497	“ “ “ “ “ Stop 10	10
176D	6497	“ “ “ “ Screw..... 03	03
38475	6497	“ “ Take-up with 465c..... 1 00	1 00
465c	6497	“ “ “ Set Screw..... 02	02
46047	6510	“ “ “ Staple..... 50	50
46040	6498	“ “ “ “ Bracket with 910c..... 2 00	2 00
690D	6534	Thread (under) Take-up Staple Bracket Screw..... 05	05
46041	6497	Thread (under) Take-up Staple Spring 05	05
190D	6497	“ “ “ “ “ “ Screw..... 03	03
910c	6497	Thread (under) Take-up Staple Stop Screw..... 03	03
38482	6497	Thread (under) Take-up Stripper..... 60	60
207D	6497	“ “ “ “ Screw... 02	02
38476	6497	“ “ “ Thread Guard (left)..... 15	15
207D	6497	Thread (under) Take-up Thread Guard (left) Screw..... 02	02
38477	6497	Thread (under) Take-up Thread Guard (right)..... 20	20
207D	6497	Thread (under) Take-up Thread Guard (right) Screw..... 02	02
38483	6496	Thread (upper) Controller..... 40	40
206F	6496	“ “ “ “ Screw..... 02	02
46009	6510	“ “ “ Eyelet..... 25	25
190D	6497	“ “ “ “ Screw..... 03	03
46010	6510	“ “ Take-up with 457c..... 80	80
457c	6510	“ “ “ Set Screw..... 02	02
46011	6549	Throat Plate for 38492..... 1 75	1 75
691F	6534	“ “ “ Screw..... 04	04

## LIST OF PARTS COMPLETE FOR MACHINE NO. 62-36

FOR TWO LINE STITCHING IN FABRICS. HAS CLOTH PLATE SPECIALLY  
FITTED FOR LAP SEAM FELLER. TWO NEEDLES, TWO  
LOOPERS; GAUGES  $\frac{3}{32}$  IN. TO  $\frac{3}{8}$  IN.

NO.	PLATE	NAME	EACH
*52736	—	Arm, upper and lower (solid)	\$20 00
52630	6533	" Oil Tube with 49092, for oiling 46221	20
49092	6533	Arm Oil Tube Packing (felt)	01
46216	6490	" Rock Shaft	1 00
46217	6491	" " " Crank (back) with two 1497c	80
1497c	6491	Arm Rock Shaft Crank (back) Set Screw.	05
38412	6491	" " " " (front) with 443c.	1 25
23724	6491	" " " " " Pin	01
443c	6491	" " " " " Set Screw.	03
46218	6482	" Rotary Shaft	3 00
38329	6491	" " " Collar with two 457c.	25
457c	6491	" " " " Set Screw	02
23872	6490	" " " Flanged Bushing	1 00
159F	6493	" " " " " Screw	03
4784	6533	" " " Oil Pad (felt)	01
144d	6534	" " " Screw	08
17509	6490	" Side Cover (lower)	15
286d	6535	" " " " Thumb Screw	10
52554	6490	" " " (upper)	20
9533	6533	" " " " Pin	02
176d	6494	" " " " Screw	03
23873	6482	Balance Wheel with two 430c.	80
430c	6534	" " " Set Screw	04
46078	6484	Cloth Plate	2 50
691F	6534	" " Screw (left)	04
1094F	6534	" " " (right)	03
46461	—	" " Slide (left)	30
46462	6486	Cloth Plate Slide (left) complete, Nos. 38419, 46461 and two 725H.	40
38419	6500	Cloth Plate Slide (left) Spring	05
725H	6500	" " " " " Screw	02
38105H	6486	" " " (right) with 1602H.	30
1602H	6535	" " " " Bushing	02
286d	6535	" " " " Thumb Screw	10

## PARTS FOR MACHINE NO. 62-36

NO.	PLATE	NAME	EACH
46079	—	Cloth Plate complete, Nos. 286d, 1460H, 38105H, 46078, 46082 and 46462	\$1 00
46221	6490	Crank Connecting Rod with 46222, 46223 and two each 896E and 1057E	2 00
50069c	6535	Crank Connecting Rod Ball Screw Stud	20
1619E	6535	" " " " " "	
		Nut	05
*46222	—	Crank Connecting Rod Cap (lower)	25
896E	6534	" " " " " Screw	04
*46223	—	" " " " " (upper)	35
1057E	6534	" " " " " Screw	04
46225	6533	" " " Washer (fibre)	02
46179	6490	Face Plate	50
46111	6533	" " Pin	02
286d	6535	" " Thumb Screw	10
38425	6490	Feed Bar with 231c and 460c.	2 50
23716	6491	" " Bushing	40
23726	6491	" " Hinge Pin	50
231c	6534	" " Set Screw	03
38426	6491	" " Slide Block	50
38427	6490	" Connecting Rod with 1057E, 23865 and two 896E	1 50
*23865	—	Feed Connecting Rod Cap	30
896E	6534	" " " " Screw	01
23866	6491	" " " " Hinge Pin (eccentric)	20
1057E	6534	Feed Connecting Rod Hinge Pin Clamp- ing Screw	04
46080	6550	Feed Dog, for $\frac{3}{32}$ in. to $\frac{5}{32}$ in. gauge, for general work	2 75
46081	6550	Feed Dog, for $\frac{3}{16}$ in. to $\frac{3}{8}$ in. gauge, for general work	2 75
157d	6534	Feed Dog Screw	04
460c	6534	" " Stop Screw	02
*38127	—	" Eccentric	2 50
*23729	—	" " Body	2 50
443c	6491	" " " Set Screw	03
21331	6491	" " Pressure Spring	03
21332	6491	" " " " Cap	10
934d	6491	" " " " " Screw	02
196F	6491	" " " " " Set Screw	02
38128	6491	Feed Eccentric (adjustable) complete, Nos. 196F, 934d, 1103c, 21331, 21332, 23729, 38127 and two 443c.	5 00
38429	6491	Feed Lifting Eccentric with two 465c.	1 00
46113	6500	" " " " Cover	10
335d	6500	" " " " " Screw	02

NO.	PLATE	NAME	EACH
465c	6491	Feed Lifting Eccentric Set Screw.....	\$ 02
1103c	6491	“ Regulating Screw.....	15
38431	6492	“ Rocking Frame.....	1 25
38432	6492	“ “ Bracket with two	
		465c.....	50
123E	6494	Feed Rocking Frame Bracket Screw.....	06
38433	6492	“ “ “ Hinge Pin.....	50
465c	6491	“ “ “ “ “ S e t	
		Screw.....	02
46082	6501	Folder Holder Seat Cover.....	50
1460H	6534	“ “ “ “ Screw.....	07
38493	6510	Looper (back) with 590D and 38491.....	2 25
1147c	6510	“ “ Set Screw.....	03
38494	6510	“ “ Thread Guard (double).....	05
590D	6510	“ “ “ “ Screw.....	02
38495	6510	“ (front).....	2 25
1120c	6510	“ “ Set Screw.....	03
46226	6490	“ Bell Crank with 1037c.....	50
38436	6490	“ “ “ Hinge Stud.....	1 00
443c	6491	“ “ “ “ “ Set Screw.....	03
46227	6492	Looper Bell Crank Pitman complete, Nos.	
		1706E, 1713E and 46233 to 46235.....	3 25
50070c	6535	Looper Bell Crank Pitman Ball Screw	
		Stud (upper).....	15
1636E	6535	Looper Bell Crank Pitman Ball Screw	
		Stud (upper) Nut.....	03
46228	6493	Looper Bell Crank Pitman Ball Stud	
		(lower).....	30
1037c	6493	Looper Bell Crank Pitman Ball Stud	
		(lower) Set Screw.....	04
*46229	—	Looper Bell Crank Pitman Cap (lower)	—
171E	6534	“ “ “ “ “ “	
		Screw.....	03
*46230	—	Looper Bell Crank Pitman Cap (upper)	—
171E	6534	“ “ “ “ “ “	
		Screw.....	03
*46231	—	Looper Bell Crank Pitman End Bearing	
		(lower).....	—
*46232	—	Looper Bell Crank Pitman End Bearing	
		(upper).....	—
46233	6492	Looper Bell Crank Pitman Head (lower)	
		Nos. 46228, 46229, 46231 and two 171E	1 50
46234	6492	Looper Bell Crank Pitman Head (upper)	
		Nos. 46230, 46232, 50070c and two 171E	1 50
46235	6492	Looper Bell Crank Pitman Rod.....	20
1706E	6535	“ “ “ “ “ N u t	
		(lower).....	03

NO.	PLATE	NAME	EACH
1713E	6535	Looper Bell Crank Pitman Rod Nut	
		(upper).....	\$ 03
38496	6510	Looper Carrier with 1120c and three 1147c	1 75
38410	6493	“ “ Hinge Pin.....	20
1147c	6493	“ “ “ “ Set Screw.....	03
46236	6492	Looper Carrier Pitman complete, Nos.	
		1708E, 1709E and 46241 to 46243.....	3 25
50070c	6535	Looper Carrier Pitman Ball Screw Stud	
		(right).....	15
1636E	6535	Looper Carrier Pitman Ball Screw Stud	
		(right) Nut.....	03
46237	6493	Looper Carrier Pitman Ball Stud (left)	25
1147c	6493	“ “ “ “ “ “	
		Set Screw.....	03
*46238	—	Looper Carrier Pitman Cap (left).....	—
171E	6534	“ “ “ “ “ Screw..	03
*46238	—	“ “ “ “ (right).....	—
171E	6534	“ “ “ “ “ Screw.	03
*46239	—	“ “ “ End Bearing	
		(left).....	—
*46240	—	Looper Carrier Pitman End Bearing	
		(right).....	—
46241	6492	Looper Carrier Pitman Head (left) Nos.	
		46237 to 46239 and two 171E.....	1 50
46242	6492	Looper Carrier Pitman Head (right) Nos.	
		46238, 46240, 50070c and two 171E.....	1 50
46243	6492	Looper Carrier Pitman Rod.....	20
1708E	6535	“ “ “ “ Nut (left)...	03
1709E	6535	“ “ “ “ “ (right)...	03
46244	6533	“ “ “ Washer (fibre)...	02
46042	6493	“ “ Rock Shaft with two 175D	2 50
175D	6493	“ “ “ “ Adjusting	
		Screw.....	02
38450	6493	Looper Carrier Rock Shaft Crank (forked)	
		with 159E.....	2 00
159E	6493	Looper Carrier Rock Shaft Crank Clamp-	
		ing Screw.....	03
38451	6493	Looper Carrier Rock Shaft Crank Slide	
		Block.....	50
46043	6493	Looper Carrier Rock Shaft Hinge Pin	75
1508E	6493	“ “ “ “ “ “	
		Nut.....	06
129E	6493	Looper Carrier Rock Shaft Hinge Pin Set	
		Screw.....	04
38452	6493	Looper Eccentric with two 465c.....	1 00
465c	6493	“ “ Set Screw.....	02
38453	6494	“ Shaft.....	50

NO.	PLATE	NAME	EACH
52553	6494	Looper Shaft Bracket.....	\$ 50
123E	6494	“ “ “ Screw.....	06
391D	6494	“ “ “ Screw.....	02
46051	6508	Needle Bar.....	60
46052	—	Needle Bar complete, Nos. 46051 and 46053.....	1 20
38456	6493	Needle Bar Bushing.....	50
1133E	6493	“ “ “ Set Screw.....	02
38458	6494	“ “ “ Connecting Link.....	50
38459	6494	“ “ “ “ Hinge Stud.....	30
1520E	6494	“ “ “ “ “ “ “ Nut.....	03
38460	6494	Needle Bar Connecting Stud with two 391E.....	1 00
391E	6494	Needle Bar Connecting Stud Clamping Screw.....	02
46053	6510	Needle Clamp with 46054 and two 1072E.....	60
46054	6510	“ “ “ Thread Guide (two pieces).....	03
46083	6506	“ “ “ Guard (back).....	75
176D	6494	“ “ “ “ Screw.....	03
46001	6510	“ “ “ (front) for $\frac{3}{8}$ in. to $\frac{5}{8}$ in. gauge.....	75
46084	6506	Needle Guard (front) for $\frac{3}{16}$ in. to $\frac{1}{4}$ in. gauge.....	75
46085	6506	Needle Guard (front) for $\frac{5}{16}$ in. to $\frac{3}{8}$ in. gauge.....	75
206D	6534	Needle Guard (front) Screw.....	02
1072F	6534	“ “ Set Screw.....	02
17540	6492	Presser Bar.....	30
38464	6494	“ “ “ “ Bushing (lower).....	80
1133E	6493	“ “ “ “ “ Set Screw.....	02
38456	6493	“ “ “ “ (upper).....	50
1133E	6493	“ “ “ “ “ Set Screw.....	02
17541	6494	“ “ “ “ Lifter.....	20
17542	6494	“ “ “ “ Hinge Pin.....	05
38466	6494	“ “ “ “ Lifting Bracket with 453c and 892c.....	1 00
892c	6494	Presser Bar Lifting Bracket Adjusting Screw.....	05
453c	6494	Presser Bar Lifting Bracket Set Screw.....	02
38467	6492	“ “ “ “ Spring (flat).....	50
38468	6494	“ “ “ “ Stud.....	03
26276	6533	“ “ “ “ Foot Hinge Pin.....	01
46086	—	“ “ “ “ Plate.....	1 25
46087	—	“ “ “ “ Shank.....	75

NO.	PLATE	NAME	EACH
46088	6568	Presser Foot (hinged) complete, for general work, Nos. 26276, 46086 and 46087.....	\$2 00
190D	6496	Presser Foot Screw.....	03
574D	6536	Pressure Regulating Thumb Screw.....	15
1539D	6535	“ “ “ “ “ Lock Nut.....	05
46034	6496	Slack Thread Controller.....	05
46035	6496	“ “ “ “ “ Clamp.....	10
190D	6496	“ “ “ “ “ Screw.....	03
46007	6510	“ “ “ “ “ Regulator.....	1 25
38473	6496	“ “ “ “ “ Bracket with 172c and 1823.....	1 25
172c	6496	Slack Thread Regulator Bracket Clamping Screw.....	04
38474	6496	Slack Thread Regulator Bushing.....	20
1823	6496	“ “ “ “ “ Roller and Stud.....	18
50062D	6496	“ “ “ “ “ Screw.....	07
1620E	6496	“ “ “ “ “ Nut.....	03
2102	6496	Tension (under thread) Disc.....	05
1560c	6496	“ “ “ “ “ Regulating Thumb Nut.....	04
916F	6496	Tension (under thread) Screw Stud.....	08
10148	6496	“ “ “ “ “ Spring.....	03
17547	6496	“ “ “ “ “ Thread Guide.....	25
2102	6496	“ “ “ “ “ (upper thread) Disc.....	05
1560c	6496	“ “ “ “ “ Regulating Thumb Nut.....	04
916F	6496	Tension (upper thread) Screw Stud.....	08
2103	6496	“ “ “ “ “ Spring.....	03
17547	6496	“ “ “ “ “ Thread Guide.....	25
38225	6497	Thread (under) Eyelet (back).....	10
190D	6497	“ “ “ “ “ “ Screw.....	03
38284	6497	“ “ “ “ “ (front).....	05
46049	6497	“ “ “ “ “ Nipper Cam with 465c.....	50
465c	6497	“ “ “ “ “ “ Set Screw.....	02
38210	6497	“ “ “ “ “ Spring (lower).....	15
38211	6497	“ “ “ “ “ “ (upper).....	25
46247	6497	“ “ “ “ “ “ “ Stop.....	10
176D	6497	“ “ “ “ “ “ “ Screw.....	03
38475	6497	“ “ “ “ “ Take-up with 465c.....	1 00
465c	6497	“ “ “ “ “ “ Set Screw.....	02
46047	6510	“ “ “ “ “ Staple.....	50
46040	6498	“ “ “ “ “ “ Bracket with 910c.....	2 00
690D	6534	Thread (under) Take-up Staple Bracket Screw.....	05

NO.	PLATE	NAME	EACH
46041	6497	Thread (under) Take-up Staple Spring	\$ 05
190D	6497	“ “ “ “ “	
		Screw.....	03
910C	6497	Thread (under) Take-up Staple Stop	
		Screw.....	03
38482	6497	Thread (under) Take-up Stripper.....	60
207D	6497	“ “ “ “ Screw..	02
38476	6497	“ “ “ Thread Guard	
		(left).....	15
207D	6497	Thread (under) Take-up Thread Guard	
		(left) Screw.....	02
38477	6497	Thread (under) Take-up Thread Guard	
		(right).....	20
207D	6497	Thread (under) Take-up Thread Guard	
		(right) Screw.....	02
38483	6496	Thread (upper) Controller.....	40
206F	6496	“ “ “ Screw.....	02
46009	6510	“ “ Eyelet.....	25
190D	6497	“ “ “ Screw.....	03
46010	6510	“ “ Take-up with 457C.....	80
457C	6510	“ “ “ Set Screw.....	02
46089	6550	Throat Plate for 46080.....	2 50
46090	6550	“ “ “ 46081.....	2 75
691F	6534	“ “ Screw.....	04

## LIST OF PARTS COMPLETE FOR MACHINE NO. 62-37

TWO NEEDLES, ONE LOOPER, ELASTIC CHAIN STITCH, GAUGES FROM  
 $\frac{1}{32}$  IN. TO  $\frac{1}{16}$  IN., ROLLER PRESSER. FOR VAMPING AND  
FOXING SHOES.

### OBSOLETE

NO.	PLATE	NAME	EACH
*52736	---	Arm, upper and lower (solid).....	\$20 00
52630	6533	“ Oil Tube with 49092, for oiling	
		46221.....	20
49092	6533	Arm Oil Tube Packing (felt).....	01
46216	6490	“ Rock Shaft.....	1 00
46217	6491	“ “ “ Crank (back) with two	
		1497C.....	80
1497C	6491	Arm Rock Shaft Crank (back) Set Screw.	05
38412	6491	“ “ “ “ (front) with 443C.	1 25
23724	6491	“ “ “ “ “ Pin.....	01
443C	6491	“ “ “ “ “ Set Screw.	03
46218	6482	“ Rotary Shaft.....	3 00
38329	6491	“ “ “ Collar with two 457C..	25
457C	6491	“ “ “ “ Set Screw.....	02
23872	6490	“ “ “ Flanged Bushing.....	1 00
159F	6493	“ “ “ “ “ Screw	03
4784	6533	“ “ “ Oil Pad (felt).....	01
144D	6534	“ “ “ Screw.....	08
17509	6490	“ Side Cover (lower).....	15
286D	6535	“ “ “ “ Thumb Screw...	10
52554	6490	“ “ “ (upper).....	20
9533	6533	“ “ “ “ Pin.....	02
176D	6494	“ “ “ “ “ Screw.....	03
23873	6482	Balance Wheel with two 430C.....	80
430C	6534	“ “ “ Set Screw.....	04
38414	6483	Cloth Plate.....	2 50
691F	6534	“ “ “ Screw (left).....	04
1094F	6534	“ “ “ “ (right).....	03
38415	---	“ “ “ Slide (large) with 1602H.....	60
38417	6486	Cloth Plate Slide (large) complete, Nos.	
		38415, two 38416 and four 725H.....	75
1602H	6535	Cloth Plate Slide (large) Bushing.....	02
38416	6500	“ “ “ “ “ Spring.....	05
725H	6500	“ “ “ “ “ Screw....	02
38418	---	“ “ “ “ (small).....	30

NO.	PLATE	NAME	EACH
38420	6486	Cloth Plate Slide (small) complete, Nos. 38418, 38419 and two 725H.....	\$ 40
38419	6500	Cloth Plate Slide (small) Spring.....	05
	725H 6500	" " " " " Screw.....	02
38421	—	Cloth Plate complete, Nos. 38414, 38417 and 38420.....	3 65
46221	6490	Crank Connecting Rod with 46222, 46223 and two each 896E and 1057E.....	2 00
50069c	6535	Crank Connecting Rod Ball Screw Stud	20
1619E	6535	" " " " " " Nut.....	05
*46222	—	Crank Connecting Rod Cap (lower).....	25
	896E 6534	" " " " " Screw.....	04
*46223	—	" " " " (upper).....	35
	1057E 6534	" " " " " Screw.....	04
46225	6533	" " " Washer (fibre).....	02
46179	6490	Face Plate.....	50
46111	6533	" " Pin.....	02
	286D 6535	" " Thumb Screw.....	10
38425	6490	Feed Bar with 231c and 460c.....	2 50
23716	6491	" " Bushing.....	40
23726	6491	" " Hinge Pin.....	50
	231c 6534	" " Set Screw.....	03
38426	6491	" " Slide Block.....	50
38427	6490	" Connecting Rod with 1057E, 23865 and two 896E.....	1 50
*23865	—	Feed Connecting Rod Cap.....	30
	896E 6534	" " " " " Screw.....	04
23866	6491	" " " H i n g e P i n (eccentric).....	20
	1057E 6534	Feed Connecting Rod Hinge Pin Clamping Screw.....	04
46065	6551	Feed Dog.....	1 00
	157D 6534	" " " Screw.....	04
	460c 6534	" " Stop Screw.....	02
*38127	—	" Eccentric.....	2 50
*23729	—	" " Body.....	2 50
	443c 6491	" " " Set Screw.....	03
21331	6491	" " Pressure Spring.....	03
21332	6491	" " " Cap.....	10
	934D 6491	" " " " " Screw.....	02
	196F 6491	" " Set Screw.....	02
38128	6491	Feed Eccentric (adjustable) complete, Nos. 196F, 934D, 1103c, 21331, 21332, 23729, 38127 and two 443c.....	5 00
38429	6491	Feed Lifting Eccentric with two 465c....	1 00
46113	6500	" " " Cover.....	10

NO.	PLATE	NAME	EACH
335D	6500	Feed Lifting Eccentric Cover Screw.....	\$ 02
465c	6491	" " " Set Screw.....	02
1103c	6491	" Regulating Screw.....	15
38431	6492	" Rocking Frame.....	1 25
38432	6492	" " " Bracket with two 465c.....	50
	123E 6494	Feed Rocking Frame Bracket Screw.....	06
38433	6492	" " " Hinge Pin.....	50
	465c 6491	" " " " " S e t S c r e w.....	02
46066	6499	Looper with 590D and 38393.....	2 25
46226	6490	" Bell Crank with 1037c.....	50
38436	6490	" " " Hinge Stud.....	1 00
	443c 6491	" " " " " Set Screw.....	03
46227	6492	Looper Bell Crank Pitman complete, Nos. 1706E, 1713E and 46233 to 46235.....	3 25
50070c	6535	Looper Bell Crank Pitman Ball Screw Stud (upper).....	15
	1636E 6535	Looper Bell Crank Pitman Ball Screw Stud (upper) Nut.....	03
46228	6493	Looper Bell Crank Pitman Ball Stud (lower).....	30
	1037c 6493	Looper Bell Crank Pitman Ball Stud (lower) Set Screw.....	04
*46229	—	Looper Bell Crank Pitman Cap (lower)	—
	171E 6534	" " " " " " " Screw.....	03
*46230	—	Looper Bell Crank Pitman Cap (upper)	—
	171E 6534	" " " " " " " Screw.....	03
*46231	—	Looper Bell Crank Pitman End Bearing (lower).....	—
*46232	—	Looper Bell Crank Pitman End Bearing (upper).....	—
46233	6492	Looper Bell Crank Pitman Head (lower) Nos. 46228, 46229, 46231 and two 171E	1 50
46234	6492	Looper Bell Crank Pitman Head (upper) Nos. 46230, 46232, 50070c and two 171E	1 50
46235	6492	Looper Bell Crank Pitman Rod.....	20
	1706E 6535	" " " " " N u t (lower).....	03
	1713E 6535	Looper Bell Crank Pitman Rod Nut (upper).....	03
38439	6493	Looper Carrier with 1143c and two 1147c	1 50
38440	6493	" " Hinge Pin.....	20
	1147c 6493	" " " " Set Screw.....	03

NO.	PLATE	NAME	EACH
46236	6492	Looper Carrier Pitman complete, Nos. 1708E, 1709E and 46241 to 46243.	\$3 25
50070c	6535	Looper Carrier Pitman Ball Screw Stud (right)	15
1636E	6535	Looper Carrier Pitman Ball Screw Stud (right) Nut	03
46237	6493	Looper Carrier Pitman Ball Stud (left)	25
1147c	6493	" " " " " "	
		Set Screw	03
*46238	—	Looper Carrier Pitman Cap (left)	—
171E	6534	" " " " " Screw	03
*46238	—	" " " " (right)	—
171E	6534	" " " " " Screw	03
*46239	—	" " " " End Bearing (left)	—
*46240	—	" " " " " (right)	—
46241	6492	" " " " Head (left) Nos. 46237 to 46239 and two 171E	1 50
46242	6492	Looper Carrier Pitman Head (right) Nos. 46238, 46240, 50070c and two 171E	1 50
46243	6492	Looper Carrier Pitman Rod	20
1708E	6535	" " " " " Nut (left)	03
1709E	6535	" " " " " (right)	03
46244	6533	" " " " Washer (fibre)	02
46042	6493	" " " " Rock Shaft with two 175D	2 50
175D	6493	" " " " " Adjusting Screw	02
38450	6493	Looper Carrier Rock Shaft Crank (forked) with 159E	2 00
159E	6493	Looper Carrier Rock Shaft Crank Clamping Screw	03
38451	6493	Looper Carrier Rock Shaft Crank Slide Block	50
46043	6493	Looper Carrier Rock Shaft Hinge Pin	75
1508E	6493	" " " " " " " Nut	06
129E	6493	Looper Carrier Rock Shaft Hinge Pin Set Screw	04
38452	6493	Looper Eccentric with two 465c	1 00
465c	6493	" " " " " Set Screw	02
46104	6499	" " Needle Guard with 46105	40
46105	6499	" " " " " Pin	01
229D	6499	" " " " " Screw	02
1143c	6493	" " Set Screw	03
38453	6494	" " Shaft	50
52553	6494	" " Bracket	50
123E	6494	" " " " " Screw	06
391D	6494	" " " " " Screw	02

NO.	PLATE	NAME	EACH
38393	6493	Looper Thread Guard	\$ 03
590D	6493	" " " " " Screw	02
46067	6508	Needle Bar (hollow)	60
46165	—	Needle Bar complete, Nos. 2273, 46067, 46070 and 46166	1 50
38456	6493	Needle Bar Bushing	50
1133E	6493	" " " " " Set Screw	02
38458	6494	" " Connecting Link	50
38459	6494	" " " " " Hinge Stud	30
1520E	6194	" " " " " " " " Nut	03
38460	6494	Needle Bar Connecting Stud with two 391E	1 00
391E	6194	Needle Bar Connecting Stud Clamping Screw	02
46166	6506	Needle Clamp with 462E	75
46070	6506	" " " " " Gib	15
2273	6506	" " " " " Pin	01
462F	6506	" " " " " Screw	02
46050	6494	" " Guard	75
176D	6494	" " " " " Screw	03
46002	6533	Oil Cup (tension) double, with two 38463	30
38463	6533	" " " " " Packing (felt)	02
225F	6533	" " " " " Screw	03
46003	6533	" " " " " (take-up) with 12443	30
12443	6533	" " " " " Packing (felt)	01
46072	6498	Presser Bar	30
46073	6493	" " " " " Bushing (lower)	80
1133E	6493	" " " " " " " Set Screw	02
38456	6493	" " " " " (upper)	50
1133E	6493	" " " " " " " Set Screw	02
17541	6194	" " " " " Lifter	20
17542	6194	" " " " " Hinge Pin	05
38466	6494	" " " " " Lifting Bracket with 453c and 892c	1 00
892c	6494	Presser Bar Lifting Bracket Adjusting Screw	05
453c	6494	Presser Bar Lifting Bracket Set Screw	02
38467	6192	" " " " " Spring (flat)	50
38468	6494	" " " " " Stud	03
7298	6533	" " Foot Hinge Pin	per 100
38365	—	" " " " " Plate	1 00
46091	—	" " " " " Shank	75
38366	6551	Presser Foot (hinged) complete for 46065, Nos. 7298, 38365 and 46091	1 75
190D	6196	Presser Foot Screw	03
574D	6536	Pressure Regulating Thumb Screw	15





NO.	PLATE	NAME	EACH
207D	6497	Thread (under) Take-up Thread Guard (right) Screw.....	\$ 02
38483	6496	Thread (upper) Controller.....	40
206F	6496	" " " Screw.....	02
46009	6510	" " Eyelet.....	25
190D	6497	" " " Screw.....	03
46010	6510	" " Take-up with 457c.....	80
457c	6510	" " " Set Screw.....	02
46074	6551	Throat Plate with 665D and 46075, for 46065.....	1 50
691F	6534	Throat Plate Screw.....	04
46075	6542	" " Thread Retainer.....	10
665D	6542	" " " " Screw.....	02

## LIST OF PARTS COMPLETE FOR MACHINE NO. 62-38

FOR COVERING SEAMS, NECKING AND ORNAMENTING UNDERWEAR.  
TWO NEEDLES, ONE LOOPER; GAUGES  $\frac{1}{8}$ ,  $\frac{3}{16}$  AND  $\frac{1}{4}$  INCH

NO.	PLATE	NAME	EACH
*46363	-----	Arm, upper and lower (solid).....	\$20 00
52630	6533	" Oil Tube with 49092, for oiling 46221.....	20
49092	6533	Arm Oil Tube Packing (felt).....	01
46216	6490	" Rock Shaft.....	1 00
46364	6511	" " " Crank (back) with two 1497c.....	80
1497c	6511	Arm Rock Shaft Crank (back) Set Screw.	05
38412	6491	" " " " (front) with 443c.	1 25
23724	6491	" " " " " Pin.....	01
443c	6491	" " " " " Set Screw.	03
46365	6482	" Rotary Shaft.....	3 00
38329	6491	" " " Collar with two 457c..	25
457c	6491	" " " " Set Screw.....	02
23872	6490	" " " Flanged Bushing.....	1 00
159F	6493	" " " " " Screw	03
4784	6533	" " " Oil Pad (felt).....	01
144D	6534	" " " " " Screw.....	08
17509	6490	" Side Cover (lower).....	15
286D	6535	" " " " Thumb Screw...	10
52554	6490	" " " (upper).....	20
9533	6533	" " " " " Pin.....	02
176D	6494	" " " " " Screw.....	03
23873	6482	Balance Wheel with two 430c.....	80
430c	6534	" " " " " Set Screw.....	04
46078	6484	Cloth Plate.....	2 50
691F	6534	" " " Screw (left).....	04
1094F	6534	" " " " (right).....	03
46461	---	" " Slide (left).....	30
46462	6486	Cloth Plate Slide (left) complete, Nos. 38419, 46461 and two 725H.....	40
38419	6500	Cloth Plate Slide (left) Spring.....	05
725H	6500	" " " " " " Screw.....	02
38105H	6486	" " " " (right) with 1602H.....	30
1602H	6535	" " " " " Bushing.....	02
286D	6535	" " " " " Thumb Screw...	10



NO.	PLATE	NAME	EACH
46367	6512	Looper Carrier Pitman complete, Nos. 1708E, 1709E, 46176, 46241 and 46242.	\$3 15
50070c	6535	Looper Carrier Pitman Ball Screw Stud (right).....	15
1636E	6535	Looper Carrier Pitman Ball Screw Stud (right) Nut.....	03
46237	6493	Looper Carrier Pitman Ball Stud (left)	25
1147c	6493	“ “ “ “ “ “ Set Screw.....	03
*46238	—	Looper Carrier Pitman Cap (left).....	—
171E	6534	“ “ “ “ “ Screw..	03
*46238	—	“ “ “ “ (right).....	—
171E	6534	“ “ “ “ “ Screw.	03
*46239	—	“ “ “ “ End Bearing (left)	—
*46240	—	“ “ “ “ “ (right)	—
46241	6492	“ “ “ “ Head (left) Nos. 46237 to 46239 and two 171E.....	1 50
46242	6492	Looper Carrier Pitman Head (right) Nos. 46238, 46240, 50070c and two 171E....	1 50
46176	6512	Looper Carrier Pitman Rod.....	10
1708E	6535	“ “ “ “ “ Nut (left)...	03
1709E	6535	“ “ “ “ “ (right)...	03
46244	6533	“ “ “ “ Washer (fibre)...	02
46042	6493	“ “ “ “ Rock Shaft with two 175d	2 50
175d	6493	“ “ “ “ “ Adjusting Screw.....	02
38450	6493	Looper Carrier Rock Shaft Crank (forked) with 159E.....	2 00
159E	6493	Looper Carrier Rock Shaft Crank Clamping Screw.....	03
38451	6493	Looper Carrier Rock Shaft Crank Slide Block.....	50
46043	6493	Looper Carrier Rock Shaft Hinge Pin	75
1508E	6493	“ “ “ “ “ “ Nut.....	06
129E	6493	Looper Carrier Rock Shaft Hinge Pin Set Screw.....	04
46149	6511	Looper Eccentric with two 465c.....	1 00
465c	6493	“ “ “ “ Set Screw.....	02
46204	6511	“ “ “ “ Needle Guard with 46105.....	40
46105	6499	“ “ “ “ “ Pin.....	01
229d	6499	“ “ “ “ “ Screw.....	02
1143c	6493	“ “ “ “ “ Set Screw.....	03
38453	6494	“ “ “ “ “ Shaft.....	50
52553	6494	“ “ “ “ “ Bracket.....	50
123E	6494	“ “ “ “ “ Screw.....	06
391d	6494	“ “ “ “ “ Screw.....	02

NO.	PLATE	NAME	EACH
38393	6493	Looper Thread Guard.....	\$ 03
590d	6493	“ “ “ “ Screw.....	02
46150	6508	Needle Bar (hollow).....	60
46151	—	Needle Bar complete, Nos. 46150 and 46152.....	1 85
38456	6493	Needle Bar Bushing.....	50
1133E	6493	“ “ “ “ Set Screw.....	02
46205	6511	“ “ “ “ Connecting Link.....	40
38459	6494	“ “ “ “ “ Hinge Stud	30
1520E	6494	“ “ “ “ “ “ “ Nut.....	03
46206	6511	Needle Bar Connecting Stud with two 391E.....	1 50
391E	6494	Needle Bar Connecting Stud Clamping Screw.....	02
46152	6511	Needle Clamp with two 1498E.....	1 25
1498E	6511	“ “ “ “ Set Screw.....	02
17540	6492	Presser Bar.....	30
38464	6494	“ “ “ “ Bushing (lower).....	80
1133E	6493	“ “ “ “ “ Set Screw... ..	02
38456	6493	“ “ “ “ “ (upper).....	50
1133E	6493	“ “ “ “ “ Set Screw... ..	02
17541	6494	“ “ “ “ Lifter.....	20
17542	6494	“ “ “ “ Hinge Pin.....	05
38466	6494	“ “ “ “ Lifting Bracket with 453c and 892c.....	1 00
892c	6494	Presser Bar Lifting Bracket Adjusting Screw.....	05
453c	6494	Presser Bar Lifting Bracket Set Screw... ..	02
38467	6492	“ “ “ “ Spring (flat).....	50
38468	6494	“ “ “ “ Stud.....	03
26276	6533	“ “ “ “ Foot Hinge Pin.....	01
46154	—	“ “ “ “ Plate.....	1 25
46087	—	“ “ “ “ Shank.....	75
46155	6551	Presser Foot (hinged) complete, Nos. 26276, 46087 and 46154.....	2 00
26276	6533	Presser Foot Hinge Pin.....	01
46177	—	“ “ “ “ Plate.....	1 25
46087	—	“ “ “ “ Shank.....	75
46178	6551	Presser Foot (hinged) complete, with centre guides, Nos. 26276, 46087 and 46177.....	2 00
190d	6496	Presser Foot Screw.....	03
574d	6536	Pressure Regulating Thumb Screw.....	15
1539d	6535	“ “ “ “ “ Lock Nut.....	05
46207	6513	Slack Thread Controller.....	20









NO.	PLATE	NAME	EACH
207D	6497	Thread (under) Take-up Thread Guard (right) Screw.....	\$ 02
38483	6496	Thread (upper) Controller.....	40
206F	6496	" " " Screw.....	02
46170	6519	" " Eyelet.....	25
190D	6496	" " " Screw.....	03
46171	6519	" " Take-up with 223D.....	80
223D	6519	" " " Clamping Screw.....	02
46172	6552	Throat Plate with 665D, 46075 and 46304, for 46164.....	1 50
691F	6534	Throat Plate Screw.....	04
46075	6542	" " Thread Retainer.....	10
665D	6542	" " " " Screw.....	02
46304	6552	" " Tongue.....	15

## LIST OF PARTS COMPLETE FOR MACHINE NO. 62-40

FOR CORDING AND AIR TUCKING IN SKIRTS, WAISTS, MILLINERY AND OTHER GOODS. AIR TUCKING CAN BE MADE  $\frac{1}{32}$  TO  $\frac{1}{8}$  INCH HIGH, BUT THE DESIRED HEIGHT MUST BE STATED UPON THE ORDER FOR THE MACHINE AND MATERIAL AND CORD TO BE USED SENT WITH THE ORDER. HAS TWO NEEDLES, ONE LOOPER; GAUGES  $\frac{3}{64}$  TO  $\frac{1}{8}$  INCH. PRESSER FOOT NO. 46271 AND THROAT PLATE NO. 52666 FOR PLAIN STITCHING

NO.	PLATE	NAME	EACH
*52737	---	Arm, upper and lower (solid).....	\$20 00
52630	6533	" Oil Tube with 49092, for oiling 46221.....	20
49092	6533	Arm Oil Tube Packing (felt).....	01
46216	6490	" Rock Shaft.....	1 00
46217	6491	" " " Crank (back) with two 1497C.....	80
1497C	6491	Arm Rock Shaft Crank (back) Set Screw.....	05
38412	6491	" " " " (front) with 443C.....	1 25
23724	6491	" " " " " Pin.....	01
443C	6491	" " " " " Set Screw.....	03
46218	6482	" Rotary Shaft.....	3 00
38329	6491	" " " Collar with two 457C.....	25
457C	6491	" " " " Set Screw.....	02
23872	6490	" " " Flanged Bushing.....	1 00
159F	6493	" " " " " Screw.....	03
4784	6533	" " " Oil Pad (felt).....	01
144D	6534	" " " Screw.....	08
17509	6490	" Side Cover (lower).....	15
286D	6535	" " " " Thumb Screw.....	10
52554	6490	" " " (upper).....	20
9533	6533	" " " " Pin.....	02
176D	6494	" " " " Screw.....	03
23873	6482	Balance Wheel with two 430C.....	80
430C	6534	" " Set Screw.....	04
46278	6484	Cloth Plate.....	2 50
691F	6534	" " Screw (left).....	04
1094F	6534	" " " (right).....	03
46264	---	" " Slide (large) with 1602H.....	60



NO.	PLATE	NAME	EACH
46265	6488	Cloth Plate Slide (large) complete, Nos. 46264, two 38416 and four 725H.....	\$ 75
	1602H	6535 Cloth Plate Slide (large) Bushing.....	02
	38416	6500 " " " " Spring.....	05
	725H	6500 " " " " " Screw.....	02
	38418	— " " " (small).....	30
	38420	6486 Cloth Plate Slide (small) complete, Nos. 38418, 38419 and two 725H.....	40
	38419	6500 Cloth Plate Slide (small) Spring.....	05
	725H	6600 " " " " " Screw....	02
	46266	— Cloth Plate complete, Nos. 38420, 46265 and 46278.....	3 65
	2102	6496 Cord Tension Disc.....	05
	1560C	6496 " " Regulating Thumb Nut....	04
	637F	6496 " " Screw Stud.....	08
	10148	6496 " " Spring.....	03
	46221	6490 Crank Connecting Rod with 46222, 46223 and two each 896E and 1057E....	2 00
	50069C	6535 Crank Connecting Rod Ball Screw Stud	20
	1619E	6535 " " " " " " " Nut.....	05
	*46222	— Crank Connecting Rod Cap (lower).....	25
	896E	6534 " " " " " Screw....	04
	*46223	— " " " " (upper).....	35
	1057E	6534 " " " " " Screw....	04
	46225	6533 " " " Washer (fibre).....	02
	46110	6498 Face Plate.....	50
	46111	6533 " " Pin.....	02
	286D	6535 " " Thumb Screw.....	10
	38425	6490 Feed Bar with 231c and 460c.....	2 50
	23716	6491 " " Bushing.....	40
	23726	6491 " " Hinge Pin.....	50
	231c	6534 " " Set Screw.....	03
	38426	6491 " " Slide Block.....	50
	38427	6490 " Connecting Rod with 1057E, 23865 and two 896E.....	1 50
	*23865	— Feed Connecting Rod Cap.....	30
	896E	6534 " " " " Screw.....	04
	23866	6491 " " " H i n g e P i n (eccentric).....	20
	1057E	6534 Feed Connecting Rod Hinge Pin Clamping Screw.....	04
	52663	6552 Feed Dog.....	1 75
	157D	6534 " " Screw.....	04
	460c	6534 " " Stop Screw.....	02
	*38127	— " Eccentric.....	2 50
	*23729	— " " Body.....	2 50

NO.	PLATE	NAME	EACH
	443c	6491 Feed Eccentric Body Set Screw.....	\$ 03
	21331	6491 " " Pressure Spring.....	03
	21332	6491 " " " " Cap.....	10
	934D	6491 " " " " " Screw	02
	196F	6491 " " Set Screw.....	02
	38128	6491 Feed Eccentric (adjustable) complete, Nos. 196E, 934D, 1103c, 21331, 21332, 23729, 38127 and two 443c.....	5 00
	38429	6491 Feed Lifting Eccentric with two 465c....	1 00
	46113	6500 " " " Cover.....	10
	335D	6500 " " " " Screw.....	02
	465c	6491 " " " Set Screw.....	02
	1103c	6491 " Regulating Screw.....	15
	38431	6492 " Rocking Frame.....	1 25
	38432	6492 " " " Bracket with two 465c.....	50
	123E	6494 Feed Rocking Frame Bracket Screw.....	06
	38433	6492 " " " Hinge Pin.....	50
	465c	6491 " " " " " Set Screw	02
	46066	6499 Looper with 590D and 38393.....	2 25
	46226	6490 " Bell Crank with 1037c.....	50
	38436	6490 " " " Hinge Stud.....	1 00
	443c	6491 " " " " " Set Screw.	03
	46227	6492 Looper Bell Crank Pitman complete, Nos. 1706E, 1713E and 46233 to 46235.....	3 25
	50070c	6535 Looper Bell Crank Pitman Ball Screw Stud (upper).....	15
	1636E	6535 Looper Bell Crank Pitman Ball Screw Stud (upper) Nut.....	03
	46228	6493 Looper Bell Crank Pitman Ball Stud (lower).....	30
	1037c	6493 Looper Bell Crank Pitman Ball Stud (lower) Set Screw.....	01
	*46229	— Looper Bell Crank Pitman Cap (lower)	—
	171E	6534 " " " " " " " Screw.....	03
	*46230	— Looper Bell Crank Pitman Cap (upper)	—
	171E	6534 " " " " " " " Screw.....	03
	*46231	— Looper Bell Crank Pitman End Bearing (lower).....	—
	*46232	— Looper Bell Crank Pitman End Bearing (upper).....	—
	46233	6492 Looper Bell Crank Pitman Head (lower) Nos. 46228, 46229, 46231 and two 171E	1 50
	46234	6492 Looper Bell Crank Pitman Head (upper) Nos. 46230, 46232, 50070c and two 171E	1 50

NO.	PLATE	NAME	EACH
46235	6492	Looper Bell Crank Pitman Rod.....	\$ 20
1706E	6535	“ “ “ “ “ Nut (lower).....	03
1713E	6535	Looper Bell Crank Pitman Rod Nut (upper).....	03
38439	6493	Looper Carrier with 1143c and two 1147c	1 50
38440	6493	“ “ Hinge Pin.....	20
1147c	6493	“ “ “ “ Set Screw.....	03
46236	6492	Looper Carrier Pitman complete, Nos. 1708E, 1709E and 46241 to 46243.....	3 25
50070c	6535	Looper Carrier Pitman Ball Screw Stud (right).....	15
1636E	6535	Looper Carrier Pitman Ball Screw Stud (right) Nut.....	03
46237	6493	Looper Carrier Pitman Ball Stud (left)	25
1147c	6493	“ “ “ “ “ “ Set Screw.....	03
*46238	—	Looper Carrier Pitman Cap (left).....	—
171E	6534	“ “ “ “ “ Screw.....	03
*46238	—	“ “ “ “ “ (right).....	—
171E	6534	“ “ “ “ “ Screw.....	03
*46239	—	“ “ “ End Bearing (left)	—
*46240	—	“ “ “ “ “ (right)	—
46241	6492	“ “ “ Head (left) Nos. 46237 to 46239 and two 171E.....	1 50
46242	6492	Looper Carrier Pitman Head (right) Nos. 46238, 46240, 50070c and two 171E.....	1 50
46243	6492	Looper Carrier Pitman Rod.....	20
1708E	6535	“ “ “ “ Nut (left).....	03
1709E	6535	“ “ “ “ “ (right).....	03
46244	6533	“ “ “ Washer (fibre).....	02
46042	6493	“ “ Rock Shaft with two 175D	2 50
175D	6493	“ “ “ “ Adjusting Screw.....	02
38450	6493	Looper Carrier Rock Shaft Crank (forked) with 159E.....	2 00
159E	6493	Looper Carrier Rock Shaft Crank Clamping Screw.....	03
38451	6493	Looper Carrier Rock Shaft Crank Slide Block.....	50
46043	6493	Looper Carrier Rock Shaft Hinge Pin	75
1508E	6493	“ “ “ “ “ “ Nut.....	06
129E	6493	Looper Carrier Rock Shaft Hinge Pin Set Screw.....	04
38452	6493	Looper Eccentric with two 465c.....	1 00
465c	6493	“ “ Set Screw.....	02

NO.	PLATE	NAME	EACH
46104	6499	Looper Needle Guard with 46105.....	\$ 40
46105	6499	“ “ “ Pin.....	01
229D	6499	“ “ “ Screw.....	02
1143c	6493	“ Set Screw.....	03
38453	6494	“ Shaft.....	50
52553	6494	“ “ Bracket.....	50
123E	6494	“ “ “ Screw.....	06
391D	6494	“ “ “ Screw.....	02
38393	6493	“ Thread Guard.....	03
590D	6493	“ “ “ Screw.....	02
46067	6508	Needle Bar (hollow) for 46165.....	60
46165	—	Needle Bar complete, for $\frac{3}{32}$ in., $\frac{5}{64}$ in. and all gauges between these, Nos. 2273, 46067, 46070 and 46166.....	1 50
46051	6508	Needle Bar for 46268.....	60
46268	—	Needle Bar complete, for $\frac{3}{32}$ in. to $\frac{1}{8}$ in. gauge, Nos. 46051 and 46269.....	1 85
		NOTE. When ordering No. 46268 state gauge required.	
38456	6493	Needle Bar Bushing.....	50
1133E	6493	“ “ “ Set Screw.....	02
38458	6494	“ “ Connecting Link.....	50
38459	6494	“ “ “ “ Hinge Stud	30
1520E	6494	“ “ “ “ “ “ Nut.....	03
38460	6494	Needle Bar Connecting Stud with two 391E.....	1 00
391E	6494	Needle Bar Connecting Stud Clamping Screw.....	02
15261	6502	Needle Bar Stop Collar with 237F.....	15
237F	6502	“ “ “ “ Set Screw.....	02
46166	6506	“ Clamp with 462F, for $\frac{1}{32}$ in., $\frac{5}{64}$ in. and all gauges between these, for 46165	75
46269	6511	Needle Clamp with two 735E, for $\frac{3}{32}$ in. to $\frac{1}{8}$ in. gauge, for 46268.....	1 25
		NOTE. When ordering No. 46269 state gauge required.	
46070	6506	Needle Clamp Gib for 46165.....	15
2273	6506	“ “ Pin for 46165.....	01
462F	6506	“ “ “ Screw for 46166.....	02
735E	6511	“ Set Screw for 46269.....	02
46050	6494	“ Guard.....	75
190D	6496	“ “ “ Screw.....	03
17540	6492	Presser Bar.....	30
38464	6494	“ “ Bushing (lower).....	80

NO.	PLATE	NAME	EACH
1133E	6493	Presser Bar Bushing (lower) Set Screw...	\$ 02
38456	6493	" " " (upper).....	50
1133E	6493	" " " " Set Screw...	02
17541	6494	" " Lifter.....	20
17542	6494	" " " Hinge Pin.....	05
38466	6494	" " Lifting Bracket with 453c and 892c.....	1 00
892c	6494	Presser Bar Lifting Bracket Adjusting Screw.....	05
453c	6494	Presser Bar Lifting Bracket Set Screw...	02
38467	6492	" " Spring (flat).....	50
38468	6494	" " " Stud.....	03
15261	6502	" " Stop Collar with 237F.....	15
237F	6502	" " " Set Screw.....	02
18055	6533	" Foot Hinge Pin.....	01
23859	—	" " Plate.....	1 00
46270	—	" " Shank.....	75
46271	6553	Presser Foot (hinged) complete, for general work, Nos. 18055, 23859 and 46270.....	1 75
18055	6533	Presser Foot Hinge Pin.....	01
23777	—	" " Plate.....	1 50
46270	—	" " Shank.....	75
46272	6553	Presser Foot (hinged) complete, for imitation cording and tucking, Nos. 18055, 23777 and 46270.....	2 25
18055	6533	Presser Foot Hinge Pin.....	01
23778	—	" " Plate.....	1 50
46270	—	" " Shank.....	75
46273	6553	Presser Foot (hinged) complete, for cording, Nos. 18055, 23778 and 46270.....	2 25
18055	6533	Presser Foot Hinge Pin.....	01
38014	—	" " Plate.....	1 75
46270	—	" " Shank.....	75
46309	6553	Presser Foot (hinged) complete, for gang cording and pin tucking, Nos. 18055, 38014 and 46270.....	2 50
18055	6533	Presser Foot Hinge Pin.....	01
52637	—	" " Plate.....	1 50
46270	—	" " Shank.....	75
52638	6553	Presser Foot (hinged) complete, for gauge, for air cording and tucking $\frac{3}{32}$ in. high, for silk and thin cotton petticoats, waists, etc., Nos. 18055, 46270 and 52637.....	2 25
18055	6533	Presser Foot Hinge Pin.....	01
52640	—	" " Plate.....	1 50

NO.	PLATE	NAME	EACH
46270	—	Presser Foot Shank.....	\$ 75
52641	6553	Presser Foot (hinged) complete, for $\frac{3}{8}$ in. and $\frac{1}{8}$ in. gauges, for air cording and tucking $\frac{3}{8}$ in. high, for cotton petticoats, waists, etc., Nos. 18055, 46270 and 52640.....	2 25
18055	6533	Presser Foot Hinge Pin.....	01
52643	—	" " Plate.....	1 50
46270	—	" " Shank.....	75
52644	6553	Presser Foot (hinged) complete, for $\frac{3}{8}$ in. and $\frac{1}{8}$ in. gauges, for air cording and tucking $\frac{1}{8}$ in. high, for cotton petticoats, waists, etc., Nos. 18055, 46270 and 52643.....	2 25
46191	6562	Presser Foot Guide (left).....	10
223F	6562	" " " " Set Screw.....	02
46192	6562	" " " (right).....	10
1076F	6562	" " " Set Screw.....	03
46193	6562	" " " Holder with 223F and 1076F.....	50
176D	6494	Presser Foot Screw.....	03
574D	6536	Pressure Regulating Thumb Screw.....	15
1539D	6535	" " " " Lock Nut.....	05
46169	6500	Slack Thread Controller.....	05
193F	6500	" " " Set Screw.....	03
2102	6496	Tension (under thread) Disc.....	05
1560c	6496	" " " R e g u l a t i n g Thumb Nut.....	01
916F	6496	Tension (under thread) Screw Stud.....	08
10148	6496	" " " Spring.....	03
17547	6496	" " " Thread Guide.....	25
2102	6496	" (upper thread) Disc.....	05
1560c	6496	" " " R e g u l a t i n g Thumb Nut.....	04
916F	6496	Tension (upper thread) Screw Stud.....	08
2103	6496	" " " Spring.....	03
17547	6496	" " " Thread Guide.....	25
38225	6497	Thread (under) Eyelet (back).....	10
190b	6497	" " " " Screw.....	03
38284	6497	" " " (front).....	05
46049	6497	" " " Nipper Cam with 465c... ..	50
465c	6497	" " " " Set Screw... ..	02
38210	6497	" " " Spring (lower).....	15
38211	6497	" " " (upper).....	25
46247	6497	" " " " Stop.....	10
176D	6497	" " " " Screw.....	03

NO.	PLATE	NAME	EACH
38475	6497	Thread (under) Take-up with 465c.....	\$1 00
465c	6497	" " " Set Screw.....	02
38478	6497	" " " Staple with two each 590d and 38481.....	75
46040	6498	Thread (under) Take-up Staple Bracket with 910c.....	2 00
690d	6534	Thread (under) Take-up Staple Bracket Screw.....	05
46041	6497	Thread (under) Take-up Staple Spring	05
190d	6497	" " " " " " Screw.....	03
910c	6497	Thread (under) Take-up Staple Stop Screw.....	03
38481	6497	Thread (under) Take-up Staple Thread Guard.....	10
590d	6497	Thread (under) Take-up Staple Thread Guard Screw.....	02
38482	6497	Thread (under) Take-up Stripper.....	60
207d	6497	" " " " " Screw..	02
38476	6497	" " " Thread Guard (left).....	15
207d	6497	Thread (under) Take-up Thread Guard (left) Screw.....	02
38477	6497	Thread (under) Take-up Thread Guard (right).....	20
207d	6497	Thread (under) Take-up Thread Guard (right) Screw.....	02
38483	6496	Thread (upper) Controller.....	40
206F	6496	" " " Screw.....	02
46009	6510	" " Eyelet.....	25
190d	6496	" " " Screw.....	03
46171	6519	" " Take-up with 223d.....	80
223d	6519	" " " Clamping Screw.	02
52664	—	Throat Plate Body for 52666 to 52668...	1 90
52665	6552	" " Slide, for general work, for 52666.....	75
23788	6552	Throat Plate Slide, for imitation cording and tucking, for 52667.....	75
NOTE. When ordering No. 23788 give height of tongue.			
23787	6552	Throat Plate Slide, for cording, for 52668.	1 00
52639	6552	" " " " 52638.....	75
52642	6552	" " " " 52641.....	75
52645	6552	" " " " 52644.....	75
23789	6552	" " " Stop for 52666 to 52668	50

NO.	PLATE	NAME	EACH
52666	—	Throat Plate complete for 52663, for general work, Nos. 665d, 23789, 46075, 52664 and 52665.....	\$3 25
NOTE. No. 52666 is sent with this machine unless another Throat Plate is specified on order.			
52667	—	Throat Plate complete for 52663, for imitation cording and tucking, Nos. 665d, 23788, 23789, 46075 and 52664..	3 25
NOTE. When ordering No. 52667 give height of tongue.			
52668	6552	Throat Plate complete for 52663, for cording, Nos. 665d, 23787, 23789, 46075 and 52664.....	3 50
691F	6534	Throat Plate Screw.....	01
46075	6542	" " Thread Retainer.....	10
665d	6542	" " " " Screw....	02

**LIST OF PARTS COMPLETE  
FOR  
MACHINE NO. 62-41**

**FOR LEATHER, HEMMING LEATHER GLOVES, ETC. TWO NEEDLES,  
ONE LOOPER; GAUGES  $\frac{1}{32}$  TO  $\frac{1}{16}$  INCH; ALTERNATING PRESSERS**

NO.	PLATE	NAME	EACH
*46279	—	Arm, upper and lower (solid).....	\$20 00
52630	6533	" Oil Tube with 49092, for oiling 46221.....	20
49092	6533	Arm Oil Tube Packing (felt).....	01
46291	6498	" Rock Shaft.....	1 00
46217	6491	" " " Crank (back) with two 1497c.....	80
1497c	6491	Arm Rock Shaft Crank (back) Set Screw.....	05
46280	6499	" " " " (front) with 443c.....	1 25
23724	6491	" " " " " Pin.....	01
443c	6491	" " " " " Set Screw.....	03
46218	6482	" Rotary Shaft.....	3 00
38329	6491	" " " Collar with two 457c.....	25
457c	6491	" " " " Set Screw.....	02
23872	6490	" " " Flanged Bushing.....	1 00
159F	6493	" " " " " Screw.....	03
4784	6533	" " " Oil Pad (felt).....	01
144b	6534	" " " Screw.....	08
17509	6490	" Side Cover (lower).....	15
286d	6535	" " " " Thumb Screw.....	10
52554	6490	" " " (upper).....	20
9533	6533	" " " " Pin.....	02
176d	6494	" " " " Screw.....	03
23873	6482	Balance Wheel with two 430c.....	80
430c	6534	" " " Set Screw.....	04
38414	6483	Cloth Plate.....	2 50
691F	6534	" " " Screw (left).....	04
1094F	6534	" " " (right).....	03
38415	—	" " " Slide (large) with 1602H.....	60
38417	6486	Cloth Plate Slide (large) complete, Nos. 38415, two 38416 and four 725H.....	75
1602H	6535	Cloth Plate Slide (large) Bushing.....	02
38416	6500	" " " " Spring.....	05
725H	6500	" " " " " Screw.....	02
38418	—	" " " (small).....	30
38420	6486	Cloth Plate Slide (small) complete, Nos. 38418, 38419 and two 725H.....	40

NO.	PLATE	NAME	EACH
38419	6500	Cloth Plate Slide (small) Spring.....	\$ 05
725H	6500	" " " " " Screw.....	02
38421	—	Cloth Plate complete, Nos. 38414, 38417 and 38420.....	3 65
46221	6490	Crank Connecting Rod with 46222, 46223 and two each 896E and 1057E.....	2 00
50069c	6535	Crank Connecting Rod Ball Screw Stud	20
1619E	6535	" " " " " Nut.....	05
*46222	—	Crank Connecting Rod Cap (lower).....	25
896E	6534	" " " " " Screw.....	04
*46223	—	" " " " (upper).....	35
1057E	6534	" " " " " Screw.....	04
46225	6533	" " " " Washer (fibre).....	02
46281	6507	Face Plate with 735c and 46289.....	75
171D	6534	" " " " " Screw.....	03
38425	6490	Feed Bar with 231c and 460c.....	2 50
23716	6491	" " Bushing.....	40
23726	6491	" " Hinge Pin.....	50
231c	6534	" " Set Screw.....	03
38426	6491	" " Slide Block.....	50
38427	6490	" Connecting Rod with 1057E, 23865 and two 896E.....	1 50
*23865	—	Feed Connecting Rod Cap.....	30
896E	6534	" " " " " Screw.....	04
23866	6491	" " " " " Hinge Pin (eccentric).....	20
1057E	6534	Feed Connecting Rod Hinge Pin Clamp- ing Screw.....	04
46164	6552	Feed Dog.....	75
898D	6534	" " " " " Screw.....	04
460c	6534	" " " Stop Screw.....	02
*38127	—	" Eccentric.....	2 50
*23729	—	" " " Body.....	2 50
443c	6491	" " " " Set Screw.....	03
21331	6491	" " " " Pressure Spring.....	03
21332	6491	" " " " " Cap.....	10
934D	6491	" " " " " " Screw.....	02
196F	6491	" " " " " Set Screw.....	02
38128	6491	Feed Eccentric (adjustable) complete, Nos. 196F, 934D, 1103c, 21331, 21332, 23729, 38127 and two 443c.....	5 00
38429	6491	Feed Lifting Eccentric with two 465c.....	1 00
46113	6500	" " " " " Cover.....	10
335D	6500	" " " " " " Screw.....	02
465c	6491	" " " " " Set Screw.....	02
1103c	6491	" " " " " Regulating Screw.....	15

NO.	PLATE	NAME	EACH
38431	6492	Feed Rocking Frame	\$1 25
38432	6492	" " " Bracket with two 465c	50
123E	6494	Feed Rocking Frame Bracket Screw	06
38433	6492	" " " Hinge Pin	50
465c	6491	" " " " " Set Screw	02
46072	6498	Lifting Presser Bar	30
46073	6493	" " " Bushing (lower)	80
1133E	6493	" " " " " S e t Screw	02
38456	6493	Lifting Presser Bar Bushing (upper)	50
1133E	6493	" " " " " S e t Screw	02
17541	6494	Lifting Presser Bar Lifter	20
17542	6494	" " " " " Hinge Pin	05
46282	6499	" " " Lifting Bracket with 704c and 892c	2 50
892c	6494	Lifting Presser Bar Lifting Bracket Adjusting Screw	05
704c	6499	Lifting Presser Bar Lifting Bracket Clamping Screw	04
38467	6492	Lifting Presser Bar Spring (flat)	50
38468	6494	" " " " Stud	03
46283	6552	" " Foot	1 00
190D	6496	" " " Screw	03
46066	6499	Looper with 590D and 38393	2 25
46226	6490	" Bell Crank with 1037c	50
38436	6490	" " " Hinge Stud	1 00
443c	6491	" " " " " Set Screw	03
46227	6492	Looper Bell Crank Pitman complete, Nos. 1706E, 1713E and 46233 to 46235	3 25
50070c	6535	Looper Bell Crank Pitman Ball Screw Stud (upper)	15
1636E	6535	Looper Bell Crank Pitman Ball Screw Stud (upper) Nut	03
46228	6493	Looper Bell Crank Pitman Ball Stud (lower)	30
1037c	6493	Looper Bell Crank Pitman Ball Stud (lower) Set Screw	04
*46229	—	Looper Bell Crank Pitman Cap (lower)	—
171E	6534	" " " " " " " Screw	03
*46230	—	Looper Bell Crank Pitman Cap (upper)	—
171E	6534	" " " " " " " Screw	03
*46231	—	Looper Bell Crank Pitman End Bearing (lower)	—

NO.	PLATE	NAME	EACH
*46232	—	Looper Bell Crank Pitman End Bearing (upper)	\$ —
46233	6492	Looper Bell Crank Pitman Head (lower) Nos. 46228, 46229, 46231 and two 171E	1 50
46234	6492	Looper Bell Crank Pitman Head (upper) Nos. 46230, 46232, 50070c and two 171E	1 50
46235	6492	Looper Bell Crank Pitman Rod	20
1706E	6535	" " " " " N u t (lower)	03
1713E	6535	Looper Bell Crank Pitman Rod Nut (upper)	03
38439	6493	Looper Carrier with 1143c and two 1147c	1 50
38440	6493	" " Hinge Pin	20
1147c	6493	" " " " Set Screw	03
46236	6492	Looper Carrier Pitman complete, Nos. 1708E, 1709E and 46241 to 46243	3 25
50070c	6535	Looper Carrier Pitman Ball Screw Stud (right)	15
1636E	6535	Looper Carrier Pitman Ball Screw Stud (right) Nut	03
46237	6493	Looper Carrier Pitman Ball Stud (left)	25
1147c	6493	" " " " " " Set Screw	03
*46238	—	Looper Carrier Pitman Cap (left)	—
171E	6534	" " " " " Screw	03
*46238	—	" " " " (right)	—
171E	6534	" " " " " Screw	03
*46239	—	" " " End Bearing (left)	—
*46240	—	" " " " (right)	—
46241	6492	" " " Head (left) Nos. 46237 to 46239 and two 171E	1 50
46242	6492	Looper Carrier Pitman Head (right) Nos. 46238, 46240, 50070c and two 171E	1 50
46243	6492	Looper Carrier Pitman Rod	20
1708E	6535	" " " " Nut (left)	03
1709E	6535	" " " " (right)	03
46244	6533	" " " Washer (fibre)	02
46012	6493	" " Rock Shaft with two 175D	2 50
175D	6493	" " " " A d j u s t i n g Screw	02
38450	6493	Looper Carrier Rock Shaft Crank (forked) with 159E	2 00
159E	6493	Looper Carrier Rock Shaft Crank Clamp- ing Screw	03
38451	6493	Looper Carrier Rock Shaft Crank Slide Block	50
46043	6493	Looper Carrier Rock Shaft Hinge Pin	75

NO.	PLATE	NAME	EACH
1508E	6493	Looper Carrier Rock Shaft Hinge Pin Nut.....	\$ 06
129E	6493	Looper Carrier Rock Shaft Hinge Pin Set Screw.....	04
38452	6493	Looper Eccentric with two 465c.....	1 00
465c	6493	" " Set Screw.....	02
46104	6499	" Needle Guard with 46105.....	40
46105	6499	" " Pin.....	01
229D	6499	" " Screw.....	02
1143c	6493	" Set Screw.....	03
38453	6494	" Shaft.....	50
52553	6494	" " Bracket.....	50
123E	6494	" " Screw.....	06
391D	6494	" " Screw.....	02
38393	6493	" Thread Guard.....	03
590D	6493	" " Screw.....	02
46292	6508	Needle Bar (hollow) with 2269, for $\frac{1}{32}$ in. to $\frac{1}{16}$ in. gauge.....	80
46293	—	Needle Bar complete, Nos. 46292 and 46294.....	1 40
NOTE. When ordering Nos. 46292 or 46293 state gauge required.			
38456	6493	Needle Bar Bushing.....	50
1133E	6493	" " Set Screw.....	02
38458	6494	" " Connecting Link.....	50
38459	6494	" " Hinge Stud.....	30
1520E	6494	" " " " " " Nut.....	03
38460	6494	Needle Bar Connecting Stud with two 391E.....	1 00
391E	6494	Needle Bar Connecting Stud Clamping Screw.....	02
46294	6511	Needle Clamp with 50078F.....	60
50078F	6511	" " Screw.....	04
46050	6494	" Guard.....	75
190D	6496	" " Screw.....	03
2269	6533	" Stop Pin.....	01
46002	6533	Oil Cup (tension) double, with two 38463.....	30
38463	6533	" " Packing (felt).....	02
225F	6533	" " Screw.....	03
574D	6536	Pressure Regulating Thumb Screw.....	15
1539D	6535	" " " " Lock Nut.....	05
46169	6500	Slack Thread Controller.....	05
193F	6500	" " Set Screw.....	03
2102	6496	Tension (under thread) Disc.....	05

NO.	PLATE	NAME	EACH
1560c	6496	Tension (under thread) Regulating Thumb Nut.....	\$ 04
916F	6496	Tension (under thread) Screw Stud.....	08
10148	6496	" " Spring.....	03
17547	6496	" " Thread Guide.....	25
2102	6496	" (upper thread) Disc.....	05
1560c	6496	" " Regulating Thumb Nut.....	04
916F	6496	Tension (upper thread) Screw Stud.....	08
13710	6496	" " Spring.....	03
17547	6496	" " Thread Guide.....	25
38225	6497	Thread (under) Eyelet (back).....	10
190D	6497	" " " " Screw.....	03
38284	6497	" " (front).....	05
46049	6497	" " Nipper Cam with 465c.....	50
465c	6497	" " Set Screw.....	02
38210	6497	" " Spring (lower).....	15
38211	6497	" " (upper).....	25
46247	6497	" " " " Stop.....	10
176D	6497	" " " " Screw.....	03
38475	6497	" " Take-up with 465c.....	1 00
465c	6497	" " Set Screw.....	02
38478	6497	" " Staple with two each 590D and 38481.....	75
46040	6498	Thread (under) Take-up Staple Bracket with 910c.....	2 00
690D	6534	Thread (under) Take-up Staple Bracket Screw.....	05
46041	6497	Thread (under) Take-up Staple Spring.....	05
190D	6497	" " " " " " Screw.....	03
910c	6497	Thread (under) Take-up Staple Stop Screw.....	03
38481	6497	Thread (under) Take-up Staple Thread Guard.....	10
590D	6497	Thread (under) Take-up Staple Thread Guard Screw.....	02
38482	6497	Thread (under) Take-up Stripper.....	60
207D	6497	" " " " Screw.....	02
38476	6497	" " Thread Guard (left).....	15
207D	6497	Thread (under) Take-up Thread Guard (left) Screw.....	02
38477	6497	Thread (under) Take-up Thread Guard (right).....	20
207D	6497	Thread (under) Take-up Thread Guard (right) Screw.....	02







NO.	PLATE	NAME	EACH
46235	6492	Looper Bell Crank Pitman Rod.....	\$ 20
1706E	6535	“ “ “ “ “ Nut (lower).....	03
1713E	6535	Looper Bell Crank Pitman Rod Nut (upper).....	03
38496	6510	Looper Carrier with 1120c and three 1147c.....	1 75
38440	6493	Looper Carrier Hinge Pin.....	20
1147c	6493	“ “ “ “ Set Screw.....	03
46367	6512	Looper Carrier Pitman complete, Nos. 1708E, 1709E, 46176, 46241 and 46242..	3 15
50070c	6535	Looper Carrier Pitman Ball Screw Stud (right).....	15
1636E	6535	Looper Carrier Pitman Ball Screw Stud (right) Nut.....	03
46237	6493	Looper Carrier Pitman Ball Stud (left)	25
1147c	6493	“ “ “ “ “ “ Set Screw.....	03
*46238	—	Looper Carrier Pitman Cap (left).....	—
171E	6534	“ “ “ “ “ Screw... ..	03
*46238	—	“ “ “ “ “ (right).....	—
171E	6534	“ “ “ “ “ “ Screw..	03
*46239	—	“ “ “ “ End Bearing (left).....	—
*46240	—	“ “ “ “ “ (right).....	—
46241	6492	“ “ “ “ Head (left) Nos. 46237 to 46239 and two 171E.....	1 50
46242	6492	Looper Carrier Pitman Head (right) Nos. 46238, 46240, 50070c and two 171E... ..	1 50
46176	6512	Looper Carrier Pitman Rod.....	10
1708E	6535	“ “ “ “ Nut (left)....	03
1709E	6535	“ “ “ “ “ (right)....	03
46244	6533	“ “ “ Washer (fibre)....	02
46042	6493	“ “ Rock Shaft with two 175D	2 50
175D	6493	“ “ “ “ Adjusting Screw.....	02
38450	6493	Looper Carrier Rock Shaft Crank (forked) with 159E.....	2 00
159E	6493	Looper Carrier Rock Shaft Crank Clamp- ing Screw.....	03
38451	6493	Looper Carrier Rock Shaft Crank Slide Block.....	50
46043	6493	Looper Carrier Rock Shaft Hinge Pin	75
1508E	6493	“ “ “ “ “ “ Nut.....	06
129E	6493	Looper Carrier Rock Shaft Hinge Pin Set Screw.....	04
38452	6493	Looper Eccentric with two 465c.....	1 00

NO.	PLATE	NAME	EACH
465c	6493	Looper Eccentric Set Screw.....	\$ 02
38453	6494	“ Shaft.....	50
52553	6494	“ “ Bracket.....	50
123E	6494	“ “ “ Screw.....	06
391D	6494	“ “ Screw.....	02
23793	6508	Needle Bar (hollow).....	60
46176	—	Needle Bar complete, Nos. 2273, 23793 and 46477.....	1 20
38456	6493	Needle Bar Bushing.....	50
1133E	6493	“ “ “ Set Screw.....	02
38458	6494	“ “ Connecting Link.....	50
38459	6494	“ “ “ “ Hinge Stud..	30
1520E	6494	“ “ “ “ “ “ Nut.....	03
38460	6494	Needle Bar Connecting Stud with two 391E.....	1 00
391E	6494	Needle Bar Connecting Stud Clamping Screw.....	02
46177	6511	Needle Clamp with 46478 and two 1498E..	60
2273	6506	“ “ Pin.....	01
46478	6511	“ “ Thread Guide.....	02
46479	6513	“ Guard (back).....	75
176D	6494	“ “ “ Screw.....	03
46480	6513	“ “ (front).....	75
206D	6513	“ “ “ Screw.....	02
1498E	6511	“ Set Screw.....	02
17540	6492	Presser Bar.....	30
46481	6513	“ “ Bushing (lower).....	80
1133E	6493	“ “ “ “ Set Screw... ..	02
38456	6493	“ “ “ (upper).....	50
1133E	6493	“ “ “ “ Set Screw... ..	02
17541	6494	“ “ Lifter.....	20
17542	6494	“ “ “ Hinge Pin.....	05
46482	6513	“ “ Lifting Bracket with 453c and 892c.....	1 00
892c	6494	Presser Bar Lifting Bracket Adjusting Screw.....	05
453c	6513	Presser Bar Lifting Bracket Set Screw... ..	02
38467	6492	“ “ Spring (flat).....	50
38468	6494	“ “ “ Stud.....	03
26276	6533	“ Foot Hinge Pin.....	01
36352	—	“ “ Plate.....	7 25
36353	—	“ “ Shank.....	75
36354	6554	Presser Foot (strip folding) hinged, com- plete, for general work, Nos. 26276, 36352 and 36353.....	8 00
26276	6533	Presser Foot Hinge Pin.....	01

NO.	PLATE	NAME	EACH
36355	—	Presser Foot Plate.....	\$7 25
36353	—	“ “ Shank.....	75
36356	6554	Presser Foot (strip folding) hinged, complete, for lawn, Nos. 26276, 36353 and 36355.....	8 00
26276	6533	Presser Foot Hinge Pin.....	01
36357	—	“ “ Plate.....	7 75
36353	—	“ “ Shank.....	75
36358	6554	Presser Foot (strip folding) hinged, complete, grooved for $\frac{1}{16}$ in. to $\frac{3}{16}$ in. cord, for cord covered headings, Nos. 26276, 36353 and 36357.....	8 50
NOTE. When ordering No. 36358 state gauge of machine and send sample of cord to be used.			
190D	6496	Presser Foot Screw.....	03
574D	6536	Pressure Regulating Thumb Screw.....	15
1539D	6535	“ “ “ “ Lock Nut.....	05
46483	6515	Ruffling Blade.....	75
46484	6515	“ “ Holder.....	3 00
1247C	6515	“ “ “ Hinge Screw.....	05
46485	6515	“ “ “ Spring.....	03
46486	6515	“ “ “ “ Bracket.....	75
50118D	6515	“ “ “ “ Regulating Screw.....	15
46487	6515	Ruffling Blade Holder Stop.....	03
460C	6515	“ “ “ “ Set Screw.....	02
578D	6515	“ “ Screw.....	02
46488	6518	“ Connecting Link.....	50
378C	6518	“ “ “ Hinge Screw.....	10
1520E	6518	“ “ “ “ “ Nut.....	03
46489	6517	“ “ “ Rod with 1012E, 4784, 46490, 46491 and two 127E.....	3 00
46490	6515	Ruffling Connecting Rod Adjusting Gib (brass).....	02
1012E	6534	Ruffling Connecting Rod Adjusting Screw.....	05
*46491	—	“ “ “ Cap.....	—
127E	6534	“ “ “ “ Screw.....	04
50119C	6535	“ “ “ “ Hinge Screw.....	15
1517E	6535	“ “ “ “ “ Nut.....	04
4784	6533	“ “ “ Oil Pad (felt).....	01
46492	6516	“ Eccentric with two 44Sc.....	1 50
448C	6516	“ “ Set Screw.....	03
46493	6515	“ Indicator.....	30
46494	6515	“ Lever.....	2 00
46495	6516	“ “ Arm with 454c.....	1 00

NO.	PLATE	NAME	EACH
46496	6516	Ruffling Lever Arm Hinge Stud.....	\$ 50
46497	6516	“ “ “ Lifting Bracket with two 171D.....	1 00
1499F	6516	Ruffling Lever Arm Lifting Bracket Cap Screw.....	04
171D	6516	Ruffling Lever Arm Lifting Bracket Clamping Screw.....	03
454c	6516	Ruffling Lever Arm Set Screw.....	02
22c	6515	“ “ Hinge Screw.....	12
46498	6515	“ “ Slide Block.....	20
50120C	6515	“ Regulating Stud.....	15
1719c	6515	“ “ “ Nut.....	15
46499	6515	“ “ “ “ Handle with 220D.....	75
220D	6515	Ruffling Regulating Stud Nut Handle Clamping Screw.....	02
46500	6515	Ruffling Regulating Stud Sleeve.....	25
52501	6515	“ “ “ Stop.....	05
337D	6515	“ “ “ “ Screw.....	02
52502	6516	“ Regulator.....	3 00
52503	6516	“ “ Bushing.....	75
453c	6518	“ “ “ Set Screw.....	02
52504	6516	“ “ Crank with 453c.....	20
9792	6533	“ “ “ Pin.....	01
453c	6518	“ “ “ Set Screw.....	02
52505	6518	“ Separating Blade.....	1 00
52506	6518	“ “ “ Bar.....	40
52507	6518	“ “ “ “ Bracket (lower) with 460c and two 453c.....	50
453c	6518	Ruffling Separating Blade Bar Bracket (lower) Set Screw.....	02
52508	6518	Ruffling Separating Blade Bar Bracket (upper) with 453c.....	50
453c	6518	Ruffling Separating Blade Bar Bracket (upper) Set Screw.....	02
52509	6518	Ruffling Separating Blade Bar Handle with 145D.....	75
145D	6518	Ruffling Separating Blade Bar Handle Clamping Screw.....	04
52510	6518	Ruffling Separating Blade Bar Handle Plate.....	15
178E	6518	Ruffling Separating Blade Bar Handle Plate Screw.....	03
52511	6518	Ruffling Separating Blade Bar Handle Stop.....	02
46035	6518	Ruffling Separating Blade Bar Handle Stop Clamp.....	10

NO.	PLATE	NAME	EACH
1423D	6518	Ruffling Separating Blade Bar Handle Stop Clamp Screw.....	\$ 04
52512	6518	Ruffling Separating Blade Bar Spring....	03
52513	6518	" " " Holder.....	75
1443D	6518	" " " " Screw....	04
662D	6518	" " " " Screw.....	02
52514	6517	" Shaft.....	50
*52515	—	" " Bracket (back).....	75
134D	6503	" " " " Screw.....	05
*52516	—	" " " (front).....	1 50
129D	6534	" " " " S c r e w (long).....	04
1149D	6534	Ruffling Shaft Bracket (front) Screw (short).....	04
20251	6515	Ruffling Shaft Collar with 456c.....	20
456c	6515	" " " Set Screw.....	02
52517	6516	" " Crank (back) with two 797c.....	75
797c	6516	Ruffling Shaft Crank (back) Set Screw....	03
52518	6516	" " " (front) with 453c....	50
9792	6533	" " " " Pin.....	01
453c	6518	" " " " Set Screw....	02
46034	6496	Slack Thread Controller.....	05
46035	6496	" " " Clamp.....	10
190D	6496	" " " " Screw....	03
2102	6496	Tension (under thread) Disc.....	05
1560c	6496	" " " R e g u l a t i n g Thumb Nut.....	04
916F	6496	Tension (under thread) Screw Stud.....	08
10148	6496	" " " Spring.....	03
17547	6496	" " " Thread Guide....	25
2102	6496	" (upper thread) Disc.....	05
1560c	6496	" " " R e g u l a t i n g Thumb Nut.....	04
916F	6496	Tension (upper thread) Screw Stud.....	08
13710	6496	" " " Spring.....	03
17547	6496	" " " Thread Guide....	25
38225	6497	Thread (under) Eyelet (back).....	10
190D	6497	" " " " Screw.....	03
38284	6497	" " " (front).....	05
46049	6497	" " Nipper Cam with 465c....	50
465c	6497	" " " " Set Screw....	02
38210	6497	" " " Spring (lower)....	15
38211	6497	" " " (upper)....	25
46247	6497	" " " " Stop	10
176D	6497	" " " " Screw.....	03
38475	6497	" " Take-up with 465c.....	1 00

NO.	PLATE	NAME	EACH
465c	6497	Thread (under) Take-up Set Screw.....	\$ 02
46047	6510	" " " Staple.....	50
46040	6498	" " " " Bracket with 910c.....	2 00
690D	6534	Thread (under) Take-up Staple Bracket Screw.....	05
46041	6497	Thread (under) Take-up Staple Spring	05
190D	6497	" " " " " " Screw.....	03
910c	6497	Thread (under) Take-up Staple Stop Screw.....	03
38482	6497	Thread (under) Take-up Stripper.....	60
207D	6497	" " " " Screw....	02
38476	6497	" " " Thread Guard (left).....	15
207D	6497	Thread (under) Take-up Thread Guard (left) Screw.....	02
38477	6497	Thread (under) Take-up Thread Guard (right).....	20
207D	6497	Thread (under) Take-up Thread Guard (right) Screw.....	02
38483	6496	Thread (upper) Controller.....	40
206F	6496	" " " Screw.....	02
46009	6510	" " Eyelet.....	25
190D	6496	" " " Screw.....	03
46010	6510	" " Take-up with 457c.....	80
457c	6510	" " " Set Screw.....	02
52519	6554	Throat Plate for 46473.....	1 75
691F	6534	" " Screw.....	04

**LIST OF PARTS COMPLETE  
FOR  
MACHINE NO. 62-43**

**FOR SKIRTS, MUSLIN UNDERWEAR, ETC. HAS POSITIVE RUFFLING  
MECHANISM BELOW WITH GRADUATED ADJUSTMENT ABOVE THE  
CLOTH PLATE, HAS UPPER RIGHT HAND EDGE FOLDER, RUFFLE  
GUIDE AND UNDER STRIP FOLDER. FOR INSERTING A  
FLOUNCE, LACE OR EMBROIDERY AND SECURING IT UNDER  
A FOLDED STRIP IN ONE OPERATION. TWO NEEDLES,  
TWO LOOPERS; GAUGES  $\frac{1}{8}$ ,  $\frac{3}{8}$  OR  $\frac{1}{4}$  INCH**

NO.	PLATE	NAME	EACH
*52679	—	Arm, upper and lower (solid) with 52705 and two 949E.....	\$27 50
52630	6533	Arm Oil Tube with 49092, for oiling 46221.....	20
49092	6533	Arm Oil Tube Packing (felt).....	01
46216	6490	" Rock Shaft.....	1 00
46217	6491	" " " Crank (back) with two 1497c.....	80
1497c	6491	Arm Rock Shaft Crank (back) Set Screw.....	05
38412	6491	" " " " (front) with 443c.....	1 25
23724	6491	" " " " " Pin.....	01
443c	6491	" " " " " Set Screw.....	03
46218	6482	" Rotary Shaft.....	3 00
38329	6491	" " " Collar with two 457c.....	25
457c	6491	" " " " Set Screw.....	02
23872	6490	" " " Flanged Bushing.....	1 00
159F	6493	" " " " " Screw.....	03
4784	6533	" " " Oil Pad (felt).....	01
144d	6534	" " " Screw.....	08
17509	6490	" Side Cover (lower).....	15
286d	6535	" " " " Thumb Screw.....	10
52554	6490	" " " (upper).....	20
9533	6533	" " " " Pin.....	02
176d	6494	" " " " Screw.....	03
23873	6482	Balance Wheel with two 430c.....	80
430c	6534	" " " Set Screw.....	04
52680	6485	Cloth Plate.....	3 00
52681	6485	" " Extension.....	75
157d	6534	" " " Screw.....	04
691F	6534	" " Screw.....	04
52682	—	" " Slide (large).....	60

NO.	PLATE	NAME	EACH
52686	5489	Cloth Plate Slide (large) complete, Nos. 52682, two 52683 and four 725H.....	\$ 80
52683	6500	Cloth Plate Slide (large) Spring.....	05
52684	6519	" " " " " Bracket (back).....	25
330E	6519	Cloth Plate Slide (large) Spring Bracket (back) Screw.....	02
52685	6519	Cloth Plate Slide (large) Spring Bracket (front).....	25
330E	6519	Cloth Plate Slide (large) Spring Bracket (front) Screw.....	02
725H	6500	Cloth Plate Slide (large) Spring Screw.....	02
38418	—	" " " (small).....	30
38420	6486	Cloth Plate Slide (small) complete, Nos. 38418, 38419 and two 725H.....	40
38419	6500	Cloth Plate Slide (small) Spring.....	05
725H	6500	" " " " " Screw.....	02
52687	—	Cloth Plate complete, Nos. 38420, 52680, 52681, 52684 to 52686, two 157d and four 330E.....	5 60
52688	6519	Cloth Plate Support Bracket.....	40
691F	6534	" " " " " Screw.....	04
46221	6490	Crank Connecting Rod with 46222, 46223 and two each 896E and 1057E.....	2 00
50069c	6535	Crank Connecting Rod Ball Screw Stud " " " " " " " " " "	20
1619E	6535	" " " " " " " " " "	05
*46222	—	Crank Connecting Rod Cap (lower).....	25
896E	6534	" " " " " " " " " " Screw.....	04
*46223	—	" " " " " (upper).....	35
1057E	6534	" " " " " " " " " " Screw.....	04
46225	6533	" " " " " Washer (fibre).....	02
46179	6490	Face Plate.....	50
46111	6533	" " Pin.....	02
286d	6535	" " Thumb Screw.....	10
38425	6490	Feed Bar with 231c and 160c.....	2 50
23716	6491	" " Bushing.....	40
23726	6491	" " Hinge Pin.....	50
231c	6534	" " Set Screw.....	03
38426	6491	" " Slide Block.....	50
38427	6490	" Connecting Rod with 1057E, 23865 and two 896E.....	1 50
*23865	—	Feed Connecting Rod Cap.....	30
896E	6534	" " " " " " " " " " Screw.....	04
23866	6491	" " " " " Hinge Pin (eccentric).....	20

NO.	PLATE	NAME	EACH
1057E	6534	Feed Connecting Rod Hinge Pin Clamping Screw.....	\$ 04
52689	6555	Feed Dog.....	1 50
898D	6534	" " Screw.....	04
460C	6534	" " Stop Screw.....	02
*38127	—	" Eccentric.....	2 50
*52730	—	" " Body.....	2 50
443C	6491	" " " Set Screw.....	03
21331	6491	" " Pressure Spring.....	03
21332	6491	" " " " Cap.....	10
934D	6491	" " " " " Screw.....	02
196F	6491	" " " Set Screw.....	02
52731	6519	Feed Eccentric (adjustable) complete, Nos. 196F, 934D, 1103C, 21331, 21332, 38127, 52730 and two 443C.....	5 00
38429	6491	Feed Lifting Eccentric with two 465C.....	1 00
46113	6500	" " " Cover.....	10
335D	6500	" " " " Screw.....	02
465C	6491	" " " " Set Screw.....	02
1103C	6491	" Regulating Screw.....	15
38431	6492	" Rocking Frame.....	1 25
38432	6492	" " " Bracket with two 465C.....	50
123E	6494	Feed Rocking Frame Bracket Screw.....	06
38433	6492	" " " Hinge Pin.....	50
465C	6491	" " " " " Set Screw.....	02
46474	6511	Looper (back) with 590D and 46115.....	2 25
1147C	6510	" " " Set Screw.....	03
46115	6511	" " Thread Guard (double).....	05
590D	6510	" " " " " Screw.....	02
46475	6511	" (front).....	2 25
1120C	6510	" " " Set Screw.....	03
46226	6490	" Bell Crank with 1037C.....	50
38436	6490	" " " Hinge Stud.....	1 00
443C	6491	" " " " " Set Screw.....	03
46227	6492	Looper Bell Crank Pitman complete, Nos. 1706E, 1713E and 46233 to 46235.....	3 25
50070C	6535	Looper Bell Crank Pitman Ball Screw Stud (upper).....	15
1636E	6535	Looper Bell Crank Pitman Ball Screw Stud (upper) Nut.....	03
46228	6493	Looper Bell Crank Pitman Ball Stud (lower).....	30
1037C	6493	Looper Bell Crank Pitman Ball Stud (lower) Set Screw.....	04
*46229	—	Looper Bell Crank Pitman Cap (lower).....	—

NO.	PLATE	NAME	EACH
171E	6534	Looper Bell Crank Pitman Cap (lower) Screw.....	\$ 03
*46230	—	Looper Bell Crank Pitman Cap (upper).....	—
171E	6534	" " " " " " " " " Screw.....	03
*46231	—	Looper Bell Crank Pitman End Bearing (lower).....	—
*46232	—	Looper Bell Crank Pitman End Bearing (upper).....	—
46233	6492	Looper Bell Crank Pitman Head (lower) Nos. 46228, 46229, 46231 and two 171E.....	1 50
46234	6492	Looper Bell Crank Pitman Head (upper) Nos. 46230, 46232, 50070C and two 171E.....	1 50
46235	6492	Looper Bell Crank Pitman Rod.....	20
1706E	6535	" " " " " " Nut (lower).....	03
1713E	6535	Looper Bell Crank Pitman Rod Nut (upper).....	03
38496	6510	Looper Carrier with 1120C and three 1147C.....	1 75
38440	6493	" " Hinge Pin.....	20
1147C	6493	" " " " Set Screw.....	03
46236	6492	Looper Carrier Pitman complete, Nos. 1708E, 1709E and 46241 to 46243.....	3 25
50070C	6535	Looper Carrier Pitman Ball Screw Stud (right).....	15
1636E	6535	Looper Carrier Pitman Ball Screw Stud (right) Nut.....	03
46237	6493	Looper Carrier Pitman Ball Stud (left).....	25
1147C	6493	" " " " " " " " " Set Screw.....	03
*46238	—	Looper Carrier Pitman Cap (left).....	—
171E	6534	" " " " " " " " " Screw.....	03
*46238	—	" " " " " " (right).....	—
171E	6534	" " " " " " " " " Screw.....	03
*46239	—	" " " " " End Bearing (left).....	—
*46240	—	" " " " " " " " (right).....	—
46241	6492	" " " " " Head (left) Nos. 46237 to 46239 and two 171E.....	1 50
46242	6492	Looper Carrier Pitman Head (right) Nos. 46238, 46240, 50070C and two 171E.....	1 50
46243	6492	Looper Carrier Pitman Rod.....	20
1708E	6535	" " " " " Nut (left).....	03
1709E	6535	" " " " " " " " (right).....	03
46244	6533	" " " " " Washer (fibre).....	02
46042	6493	" " Rock Shaft with two 175D.....	2 50
175D	6493	" " " " " Adjusting Screw.....	02

NO.	PLATE	NAME	EACH
38450	6493	Looper Carrier Rock Shaft Crank (forked) with 159E.....	\$2 00
159E	6493	Looper Carrier Rock Shaft Crank Clamping Screw.....	03
38451	6493	Looper Carrier Rock Shaft Crank Slide Block.....	50
46043	6493	Looper Carrier Rock Shaft Hinge Pin	75
1508E	6493	" " " " " "	
		Nut.....	06
129E	6493	Looper Carrier Rock Shaft Hinge Pin Set Screw.....	04
38452	6493	Looper Eccentric with two 465c.....	1 00
465c	6493	" " Set Screw.....	02
38453	6494	" Shaft.....	50
52553	6494	" " Bracket.....	50
123E	6494	" " " Screw.....	06
391F	6494	" " " Screw.....	02
23793	6508	Needle Bar (hollow).....	60
46476	—	Needle Bar complete, Nos. 2273, 23793 and 46477.....	1 20
38456	6493	Needle Bar Bushing.....	50
1133E	6493	" " " Set Screw.....	02
38458	6494	" " Connecting Link.....	50
38459	6494	" " " " Hinge Stud	30
1520E	6494	" " " " " "	
		Nut.....	03
38460	6494	Needle Bar Connecting Stud with two 391E.....	1 00
391E	6494	Needle Bar Connecting Stud Clamping Screw.....	02
46477	6511	Needle Clamp with 46478 and two 1498F	60
2273	6506	" " Pin.....	01
46478	6511	" " Thread Guide.....	02
52690	6519	" Guard (back).....	75
176F	6494	" " " Screw.....	03
52691	6519	" " (front).....	75
206D	6519	" " " Screw.....	02
1498F	6511	" Set Screw.....	02
17540	6492	Presser Bar.....	30
38464	6494	" " Bushing (lower).....	80
1133E	6493	" " " " Set Screw.....	02
38456	6493	" " " (upper).....	50
1133E	6493	" " " " Set Screw.....	02
17541	6494	" " Lifter.....	20
17542	6494	" " Hinge Pin.....	05
38466	6494	" " Lifting Bracket with 453c and 892c.....	1 00

NO.	PLATE	NAME	EACH
892c	6194	Presser Bar Lifting Bracket Adjusting Screw.....	\$ 05
453c	6494	Presser Bar Lifting Bracket Set Screw....	02
38467	6492	" " Spring (flat).....	50
38468	6494	" " Stud.....	03
36528	6556	" Foot.....	6 75
36529	6556	" " Edge Folder.....	4 50
665D	6556	" " " " Screw.....	02
36530	6556	" " " Guide.....	3 00
664D	6556	" " " " Screw.....	02
36531	6556	" " Ruffle Retaining Blade.....	75
665D	6556	" " " " " Screw	02
36532	6556	Presser Foot complete with left hand upper folder and right hand lower guide, Nos. 36528 to 36531, two 664D and four 665D.....	15 00
36533	6557	Presser Foot.....	5 00
36534	6557	" " Edge Folder (lower).....	5 00
665D	6556	" " " " " Screw..	02
36535	6557	" " " " (upper).....	4 50
665D	6556	" " " " " Screw..	02
36536	6557	" " Ruffle Retaining Blade.....	50
665D	6556	" " " " " Screw	02
36537	6557	Presser Foot (lap seam feller) complete, Nos. 36533 to 36536 and six 665D.....	15 00
36538	6558	Presser Foot (strip folding).....	10 00
36530	6556	" " Edge Guide (lower).....	3 00
664D	6556	" " " " " Screw..	02
36539	6558	" " " " (upper).....	3 00
665D	6556	" " " " " Screw..	02
36531	6556	" " Ruffle Retaining Blade.....	75
665D	6556	" " " " " Screw	02
36540	6558	Presser Foot (strip folding) complete, with right hand upper guide and left hand lower guide, Nos. 36530, 36531, 36538, 36539, two 664D and four 665D.....	17 00
190D	6496	Presser Foot Screw.....	03
574D	6536	Pressure Regulating Thumb Screw.....	15
1539D	6535	" " " " Lock	
		Nut.....	05
52692	6520	Ruffling Blade.....	75
52693	6520	" " Holder with 9558 and 52695.....	1 00
50140D	6520	Ruffling Blade Holder Hinge Screw.....	08
52694	6520	" " " Spring.....	05
812D	6520	" " " " Adjusting Screw.....	06

NO.	PLATE	NAME	EACH
1621c	6520	Ruffling Blade Holder Spring Adjusting	
		Screw Lock Nut.....	\$ 02
9558	6520	Ruffling Blade Holder Spring Pin.....	01
910c	6520	" " " " Stop Screw.....	03
1550H	6520	" " " " " Nut.....	03
665b	6520	" " Screw.....	02
52695	6520	" " Steady Pin.....	01
52696	6517	" Driving Crank (forked) with	
		52698 and two 448c.....	3 00
52697	—	Ruffling Driving Crank (forked) 52696	
		with 52703 and two each 136b and 2077	3 85
52698	6533	Ruffling Driving Crank Oil Pad (felt)....	01
448c	6520	" " " Set Screw.....	03
52699	6521	" " " Shaft.....	25
52700	6520	" " " " Collar with	
		two 457c.....	20
457c	6520	Ruffling Driving Crank Shaft Collar Set	
		Screw.....	02
52701	6520	Ruffling Driving Crank Slide Block with	
		1012c.....	1 00
1012c	6520	Ruffling Driving Crank Slide Block	
		Clamping Screw.....	05
52702	6520	Ruffling Driving Crank Slide Block Pin	50
52703	6520	" " " " " " "	
		Holder with 440c.....	75
2077	6520	Ruffling Driving Crank Slide Block Pin	
		Holder Pin.....	01
136b	6520	Ruffling Driving Crank Slide Block Pin	
		Holder Screw.....	01
440c	6520	Ruffling Driving Crank Slide Block Pin	
		Set Screw.....	03
52704	6520	Ruffling Eccentric with two 448c.....	1 50
448c	6521	" " Set Screw.....	03
*52705	—	" Frame.....	7 00
949E	6534	" " Screw.....	06
52706	6520	" Regulator with 624c.....	50
52707	6521	" " Connection.....	1 75
52708	6521	" " " H i n g e	
		Stud.....	75
621b	6521	Ruffling Regulator Connection Hinge	
		Stud Screw.....	02
52709	6521	Ruffling Regulator Handle with 647b....	75
647b	6521	" " " C l a m p i n g	
		Screw.....	03
2049	6521	Ruffling Regulator Pin.....	01
624c	6520	" " Set Screw.....	03
52710	6521	" " Shaft.....	10

NO.	PLATE	NAME	EACH
283b	6521	Ruffling Regulator Thumb Screw.....	\$ 10
9525	6521	" " " " Washer.....	01
52711	6520	" Separating Blade.....	75
664b	6520	" " " Screw.....	02
52712	6517	" Shaft.....	1 00
52713	6521	" Crank (left) with 177c,	
		9558 and two 145b.....	1 25
145b	6521	Ruffling Shaft Crank (left) Clamping	
		Screw.....	04
177c	6521	Ruffling Shaft Crank (left) Set Screw....	04
52714	6521	" " " (right) with 448c	
		and 624c.....	50
448c	6521	Ruffling Shaft Crank (right) Set Screw....	03
52715	6521	" " " " Slide Block	
		with 1012c.....	1 00
1012c	6521	Ruffling Shaft Crank (right) Slide Block	
		Clamping Screw.....	05
52716	6521	Ruffling Shaft Crank (right) Slide Block	
		Pin.....	10
624c	6520	Ruffling Shaft Crank (right) Slide Block	
		Pin Set Screw.....	03
46034	6496	Slack Thread Controller.....	05
46035	6496	" " " Clamp.....	10
190b	6496	" " " " Screw.....	03
46007	6510	" " Regulator.....	1 25
38473	6496	" " " Bracket with	
		172c and 1823.....	1 25
172c	6496	Slack Thread Regulator Bracket Clamping	
		Screw.....	04
38474	6496	Slack Thread Regulator Bushing.....	20
1823	6496	" " " Roller and Stud.....	18
50062b	6496	" " " Screw.....	07
1620E	6496	" " " Nut.....	03
2102	6496	Tension (under thread) Disc.....	05
1560c	6496	" " " R e g u l a t i n g	
		Thumb Nut.....	04
916F	6496	Tension (under thread) Screw Stud.....	08
10148	6496	" " " Spring.....	03
17547	6496	" " " Thread Guide....	25
2102	6496	" (upper thread) Disc.....	05
1560c	6496	" " " R e g u l a t i n g	
		Thumb Nut.....	04
916F	6496	Tension (upper thread) Screw Stud.....	08
2103	6496	" " " Spring.....	03
17547	6496	" " " Thread Guide....	25
38225	6497	Thread (under) Eyelet (back).....	10
190b	6497	" " " " Screw.....	03



NO.	PLATE	NAME	EACH
38284	6497	Thread (under) Eyelet (front).....	\$ 05
46049	6497	" " Nipper Cam with 465c....	50
465c	6497	" " " " Set Screw....	02
38210	6497	" " " Spring (lower)....	15
38211	6497	" " " " (upper)....	25
46247	6497	" " " " Stop	10
176d	6497	" " " " Screw.....	03
38475	6497	" " Take-up with 465c.....	1 00
465c	6497	" " " Set Screw.....	02
46047	6510	" " " Staple.....	50
52717	6501	" " " " Bracket	
		with 910c.....	2 00
690d	6534	Thread (under) Take-up Staple Bracket	
		Screw.....	05
46041	6497	Thread (under) Take-up Staple Spring	05
190d	6497	" " " " " "	
		Screw.....	03
910c	6497	Thread (under) Take-up Staple Stop	
		Screw.....	03
38482	6497	Thread (under) Take-up Stripper.....	60
207d	6497	" " " " Screw..	02
38476	6497	" " " Thread Guard	
		(left).....	15
207d	6497	Thread (under) Take-up Thread Guard	
		(left) Screw.....	02
38477	6497	Thread (under) Take-up Thread Guard	
		(right).....	20
207d	6497	Thread (under) Take-up Thread Guard	
		(right) Screw.....	02
38483	6496	Thread (upper) Controller.....	40
206f	6496	" " " Screw.....	02
46009	6510	" " Eyelet.....	25
190d	6496	" " " Screw.....	03
46010	6510	" " Take-up with 457c.....	80
457c	6510	" " " Set Screw.....	02
52718	6555	Throat Plate with 52711 and two 664b,	
		for 52689.....	3 25
691f	6534	Throat Plate Screw (back).....	01
50027f	6534	" " " (front).....	04

## LIST OF PARTS COMPLETE FOR MACHINE NO. 62-44

FOR GENERAL WORK IN FABRICS AND LIGHT LEATHER. FOR LAP  
SEAMING BUTTON LAPS ON SHOES, ETC. TWO NEEDLES, TWO  
LOOPERS; GAUGES  $\frac{3}{32}$  TO  $\frac{3}{8}$  INCH. ALTERNATING PRESSERS

NO.	PLATE	NAME	EACH
*52738	---	Arm, upper and lower (solid).....	\$20 00
52630	6533	" Oil Tube with 49092, for oiling	
		46221.....	20
49092	6533	Arm Oil Tube Packing (felt).....	01
46291	6498	" Rock Shaft.....	1 00
46217	6491	" " " Crank (back) with two	
		1497c.....	80
1497c	6491	Arm Rock Shaft Crank (back) Set Screw.	05
46280	6499	" " " " (front) with 443c.	1 25
23724	6491	" " " " " Pin.....	01
443c	6491	" " " " " Set Screw.	03
46218	6482	" Rotary Shaft.....	3 00
38329	6491	" " " Collar with two 457c..	25
457c	6491	" " " " Set Screw.....	02
23872	6490	" " " Flanged Bushing.....	1 00
159f	6493	" " " " " Screw	03
4784	6533	" " " Oil Pad (felt).....	01
144d	6534	" " " Screw.....	08
17509	6490	" Side Cover (lower).....	15
286d	6535	" " " " Thumb Screw....	10
52554	6490	" " " (upper).....	20
9533	6533	" " " " Pin.....	02
176d	6494	" " " " Screw.....	03
23873	6482	Balance Wheel with two 430c.....	80
430c	6534	" " " Set Screw.....	04
38414	6483	Cloth Plate.....	2 50
691f	6534	" " " Screw (left).....	04
1091f	6534	" " " (right).....	03
46254	---	" " Slide (large) with four 1602H.	75
46255	6486	Cloth Plate Slide (large) complete, Nos.	
		46254, two 38416 and four 725H.....	90
1602H	6535	Cloth Plate Slide (large) Bushing.....	02
38416	6500	" " " " Spring.....	05
725H	6500	" " " " " Screw....	02
38418	---	" " " (small).....	30

NO.	PLATE	NAME	EACH
38420	6486	Cloth Plate Slide (small) complete, Nos. 38418, 38419 and two 725H.....	\$ 40
38419	6500	Cloth Plate Slide (small) Spring.....	05
	725H 6500	" " " " " Screw.....	02
46256	—	Cloth Plate complete, Nos. 38414, 38420 and 46255.....	3 65
46221	6490	Crank Connecting Rod with 46222, 46223 and two each 896E and 1057E.....	2 00
50069c	6535	Crank Connecting Rod Ball Screw Stud	20
1619E	6535	" " " " " "	
		Nut.....	05
*46222	—	Crank Connecting Rod Cap (lower).....	25
	896E 6534	" " " " " " Screw.....	04
*46223	—	" " " " " (upper).....	35
	1057E 6534	" " " " " " Screw.....	04
46225	6533	" " " " Washer (fibre).....	02
52533	6498	Face Plate with 316F, 442c, 46289, 46428 and 52544.....	1 00
	171D 6534	Face Plate Screw.....	03
38425	6490	Feed Bar with 231c and 460c.....	2 50
23716	6491	" " Bushing.....	40
23726	6491	" " Hinge Pin.....	50
	231c 6534	" " Set Screw.....	03
38426	6491	" " Slide Block.....	50
38427	6490	" Connecting Rod with 1057E, 23865 and two 896E.....	1 50
*23865	—	Feed Connecting Rod Cap.....	30
	896E 6534	" " " " " " Screw.....	04
23866	6491	" " " " " Hinge Pin (eccentric).....	20
	1057E 6534	Feed Connecting Rod Hinge Pin Clamping Screw.....	04
52534	6555	Feed Dog, for $\frac{3}{8}$ in. to $\frac{5}{8}$ in. gauge.....	2 75
52782	6559	" " " " $\frac{1}{8}$ in. to $\frac{3}{8}$ in. gauge.....	2 50
	898D 6534	" " " " " " Screw.....	04
	460c 6534	" " " " " " Stop Screw.....	02
*38127	—	" Eccentric.....	2 50
*23729	—	" " " Body.....	2 50
	443c 6491	" " " " " Set Screw.....	03
21331	6491	" " " " " Pressure Spring.....	03
21332	6491	" " " " " Cap.....	10
	934D 6491	" " " " " " Screw.....	02
	196F 6491	" " " " " " Set Screw.....	02
38128	6491	Feed Eccentric (adjustable) complete, Nos. 196F, 934D, 1103c, 21331, 21332, 23729, 38127 and two 443c.....	5 00
38429	6491	Feed Lifting Eccentric with two 465c.....	1 00

NO.	PLATE	NAME	EACH
46113	6500	Feed Lifting Eccentric Cover.....	\$ 10
	335D 6500	" " " " " " Screw.....	02
	465c 6491	" " " " " Set Screw.....	02
	1103c 6491	" " " " " Regulating Screw.....	15
38431	6492	" " " " " Rocking Frame.....	1 25
38432	6492	" " " " " Bracket with two 465c.....	50
	123E 6494	Feed Rocking Frame Bracket Screw.....	06
38433	6492	" " " " " Hinge Pin.....	50
	465c 6491	" " " " " " " Set Screw.....	02
46092	6492	Lifting Presser Bar.....	30
46073	6493	" " " " " Bushing (lower).....	80
	1133E 6493	" " " " " " " " Set Screw.....	02
38456	6493	Lifting Presser Bar Bushing (upper).....	50
	1133E 6493	" " " " " " " " Set Screw.....	02
17541	6494	Lifting Presser Bar Lifter.....	20
17542	6494	" " " " " Hinge Pin.....	05
46282	6499	" " " " " Lifting Bracket with 704c and 892c.....	2 50
	892c 6491	Lifting Presser Bar Lifting Bracket Adjusting Screw.....	05
	704c 6499	Lifting Presser Bar Lifting Bracket Clamping Screw.....	04
38467	6492	Lifting Presser Bar Spring (flat).....	50
38468	6494	" " " " " Stud.....	03
52535	6555	" " " " " Foot.....	1 25
	190D 6496	" " " " " " " Screw.....	03
52536	6509	Looper (back) with 590D and 38393.....	2 25
	1147c 6510	" " " " " " " Set Screw.....	03
38393	6493	" " " " " Thread Guard.....	03
	590D 6493	" " " " " " " Screw.....	02
52537	6509	" (front).....	2 25
	1120c 6510	" " " " " " " Set Screw.....	03
46226	6490	" " " " " Bell Crank with 1037c.....	50
38436	6490	" " " " " Hinge Stud.....	1 00
	443c 6491	" " " " " " " " Set Screw.....	03
46227	6492	Looper Bell Crank Pitman complete, Nos. 1706E, 1713E and 46233 to 46235.....	3 25
50070c	6535	Looper Bell Crank Pitman Ball Screw Stud (upper).....	15
	1636E 6535	Looper Bell Crank Pitman Ball Screw Stud (upper) Nut.....	03
46228	6493	Looper Bell Crank Pitman Ball Stud (lower).....	30

NO.	PLATE	NAME	EACH
1037c	6493	Looper Bell Crank Pitman Ball Stud (lower) Set Screw	04
*46229	—	Looper Bell Crank Pitman Cap (lower)	—
171E	6534	" " " " " "	—
		Screw	03
*46230	—	Looper Bell Crank Pitman Cap (upper)	—
171E	6534	" " " " " "	—
		Screw	03
*46231	—	Looper Bell Crank Pitman End Bearing (lower)	—
*46232	—	Looper Bell Crank Pitman End Bearing (upper)	—
46233	6492	Looper Bell Crank Pitman Head (lower) Nos. 46228, 46229, 46231 and two 171E	1 50
46234	6492	Looper Bell Crank Pitman Head (upper) Nos. 46230, 46232, 50070c and two 171E	1 50
46235	6492	Looper Bell Crank Pitman Rod	20
1706E	6535	" " " " " Nut (lower)	03
1713E	6535	Looper Bell Crank Pitman Rod Nut (upper)	03
38496	6510	Looper Carrier with 1120c and three 1147c	1 75
38440	6493	Looper Carrier Hinge Pin	20
1147c	6493	" " " " Set Screw	03
46236	6492	Looper Carrier Pitman complete, Nos. 1708E, 1709E and 46241 to 46243	3 25
50070c	6535	Looper Carrier Pitman Ball Screw Stud (right)	15
1636E	6535	Looper Carrier Pitman Ball Screw Stud (right) Nut	03
46237	6493	Looper Carrier Pitman Ball Stud (left)	25
1147c	6493	" " " " " " Set Screw	03
*46238	—	Looper Carrier Pitman Cap (left)	—
171E	6534	" " " " " Screw	03
*46238	—	" " " " (right)	—
171E	6534	" " " " " Screw	03
*46239	—	" " " End Bearing (left)	—
*46240	—	Looper Carrier Pitman End Bearing (right)	—
46241	6492	Looper Carrier Pitman Head (left) Nos. 46237 to 46239 and two 171E	1 50
46242	6492	Looper Carrier Pitman Head (right) Nos. 46238, 46240, 50070c and two 171E	1 50
46243	6492	Looper Carrier Pitman Rod	20

NO.	PLATE	NAME	EACH
1708E	6535	Looper Carrier Pitman Rod Nut (left)	\$ 03
1709E	6535	" " " " " (right)	03
46244	6533	" " " Washer (fibre)	02
46042	6493	" " Rock Shaft with two 175D	2 50
175D	6493	" " " " Adjusting Screw	02
38450	6493	Looper Carrier Rock Shaft Crank (forked) with 159E	2 00
159E	6493	Looper Carrier Rock Shaft Crank Clamping Screw	03
38451	6493	Looper Carrier Rock Shaft Crank Slide Block	50
46043	6493	Looper Carrier Rock Shaft Hinge Pin	75
1508E	6493	" " " " " " Nut	06
129E	6493	Looper Carrier Rock Shaft Hinge Pin Set Screw	04
38452	6493	Looper Eccentric with two 465C	1 00
465C	6493	" " Set Screw	02
38453	6494	" Shaft	50
52553	6494	" " Bracket	50
123E	6494	" " " Screw	06
391D	6494	" " " Screw	02
46051	6508	Needle Bar	60
46052	—	Needle Bar complete, Nos. 46051 and 46053	1 20
38456	6493	Needle Bar Bushing	50
1133E	6493	" " " Set Screw	02
38458	6494	" " Connecting Link	50
38459	6494	" " " " Hinge Stud	30
1520E	6494	" " " " " " Nut	03
38460	6494	Needle Bar Connecting Stud with two 391E	1 00
391E	6494	Needle Bar Connecting Stud Clamping Screw	02
46053	6510	Needle Clamp with 46051 and two 1072F	60
46054	6510	" " Thread Guide (two pieces)	03
38461	6510	" Guard (back)	75
176D	6494	" " " Screw	03
46001	6510	" " (front) for $\frac{3}{32}$ in. to $\frac{5}{32}$ in. gauge	75
46084	6506	Needle Guard (front) for $\frac{1}{16}$ in. to $\frac{1}{4}$ in. gauge	75
46085	6506	Needle Guard (front) for $\frac{5}{16}$ in. to $\frac{3}{8}$ in. gauge	75
206D	6519	Needle Guard (front) Screw	02

NO.	PLATE	NAME	EACH
1072F	6510	Needle Set Screw.....	\$ 02
46002	6533	Oil Cup (tension) double, with two 38463	30
38463	6533	" " " Packing (felt).....	02
225F	6533	" " " Screw.....	03
574D	6536	Pressure Regulating Thumb Screw.....	15
1539D	6535	" " " " Lock Nut.....	05
52538	6519	Slack Thread Controller.....	50
52539	6519	" " " Bracket.....	25
175D	6534	" " " " Screw.....	02
52540	6519	" " " " Connection with 457c.....	40
457c	6519	Slack Thread Controller Connection Set Screw.....	02
110c	6519	Slack Thread Controller Hinge Screw.....	04
2102	6496	Tension (under thread) Disc.....	05
1560c	6496	" " " " Regulating Thumb Nut.....	04
916F	6496	Tension (under thread) Screw Stud.....	08
10148	6496	" " " " Spring.....	03
17547	6496	" " " " Thread Guide.....	25
2102	6496	" (upper thread) Disc.....	05
1560c	6496	" " " " Regulating Thumb Nut.....	04
916F	6496	Tension (upper thread) Screw Stud.....	08
2103	6496	" " " " Spring.....	03
17547	6496	" " " " Thread Guide.....	25
38225	6497	Thread (under) Eyelet (back).....	10
190D	6497	" " " " " Screw.....	03
38284	6497	" " " " (front).....	05
46049	6497	" " " " Nipper Cam with 465c.....	50
465c	6497	" " " " " Set Screw.....	02
38210	6497	" " " " " Spring (lower).....	15
38211	6497	" " " " " (upper).....	25
46247	6497	" " " " " " Stop Screw.....	10
176D	6497	" " " " " " Screw.....	03
38475	6497	" " " " " Take-up with 465c.....	1 00
465c	6497	" " " " " Set Screw.....	02
46047	6510	" " " " " Staple.....	50
46040	6498	" " " " " " Bracket with 910c.....	2 00
690D	6534	Thread (under) Take-up Staple Bracket Screw.....	05
46041	6497	Thread (under) Take-up Staple Spring.....	05
190D	6497	" " " " " " Screw.....	03

NO.	PLATE	NAME	EACH
910c	6497	Thread (under) Take-up Staple Stop Screw.....	\$ 03
38482	6497	Thread (under) Take-up Stripper.....	60
207D	6497	" " " " " Screw.....	02
38476	6497	" " " " " Thread Guard (left).....	15
207D	6497	Thread (under) Take-up Thread Guard (left) Screw.....	02
38477	6497	Thread (under) Take-up Thread Guard (right).....	20
207D	6497	Thread (under) Take-up Thread Guard (right) Screw.....	02
38483	6496	Thread (upper) Controller.....	40
206F	6496	" " " " " Screw.....	02
52541	6519	" " " " " Eyelet.....	25
190D	6496	" " " " " Screw.....	03
46171	6519	" " " " " Take-up with 223D.....	80
223D	6519	" " " " " Clamping Screw.....	02
52542	6555	Throat Plate for 52534.....	2 50
52783	6559	" " " " " 52782.....	2 25
691F	6534	" " " " " Screw.....	04
52543	6509	Vibrating Presser Bar.....	1 00
212F	6499	" " " " " Cap Screw.....	04
46287	6499	" " " " " Lifting Bell Crank.....	1 50
212F	6499	" " " " " " " " Cap Screw.....	04
46284	6499	Vibrating Presser Bar Lifting Bell Crank Driving Arm with 157D, 602D and 1989.....	1 25
157D	6499	Vibrating Presser Bar Lifting Bell Crank Driving Arm Clamping Screw.....	04
1989	6499	Vibrating Presser Bar Lifting Bell Crank Driving Arm Roller (roller only).....	10
602D	6499	Vibrating Presser Bar Lifting Bell Crank Driving Arm Roller Cap Screw.....	02
52544	6509	Vibrating Presser Bar Spring.....	02
316F	6509	" " " " " " Stop Screw.....	03
46428	6509	" " " " " " Stud.....	05
46289	6499	" " " " " " Stop (rawhide).....	01
412c	6509	" " " " " " " Adjusting Screw.....	03
52545	6555	Vibrating Presser Foot.....	1 25
203D	6534	" " " " " " Screw.....	03

**LIST OF PARTS COMPLETE  
FOR  
MACHINE NO. 62-45**

**FOR FOUR LINE SHOE TIPPING. HAS FOUR NEEDLES, TWO LOOPERS.  
BY REMOVING ONE OR MORE NEEDLES TWO OR THREE LINE  
STITCHING CAN BE OBTAINED. GAUGES BETWEEN THE  
FIRST AND SECOND AND BETWEEN THE THIRD AND  
FOURTH NEEDLES  $\frac{1}{2}$  TO  $\frac{5}{8}$  INCH, AND BETWEEN THE  
SECOND AND THIRD NEEDLES  $\frac{1}{8}$  TO  $\frac{1}{4}$  INCH.**

NO.	PLATE	NAME	EACH
*46370	—	Arm, upper and lower (solid) with 381D and 46384.....	\$20 00
52630	6533	Arm Oil Tube with 49092, for oiling 46221.....	20
49092	6533	Arm Oil Tube Packing (felt).....	01
46371	6512	" Rock Shaft.....	1 00
46217	6491	" " " Crank (back) with two 1497c.....	80
1497c	6491	Arm Rock Shaft Crank (back) Set Screw.....	05
38412	6491	" " " " (front) with 443c.....	1 25
23724	6491	" " " " " Pin.....	01
443c	6491	" " " " " Set Screw.....	03
46218	6482	" Rotary Shaft.....	3 00
38329	6491	" " " Collar with two 457c.....	25
457c	6491	" " " " " Set Screw.....	02
23872	6490	" " " Flanged Bushing.....	1 00
159F	6493	" " " " " Screw.....	03
4784	6533	" " " Oil Pad (felt).....	01
144d	6534	" " " Screw.....	08
17509	6490	" Side Cover (lower).....	15
286d	6535	" " " " " Thumb Screw.....	10
52554	6490	" " " (upper).....	20
9533	6533	" " " " " Pin.....	02
176d	6494	" " " " " Screw.....	03
46220	6482	Balance Wheel, 3 in. pulley, with two 430c.....	80
430c	6534	Balance Wheel Set Screw.....	04
38414	6483	Cloth Plate.....	2 50
691F	6534	" " " Screw (left).....	04
1094F	6534	" " " " (right).....	03
46107	—	" " Slide (large) for 46108.....	60

NO.	PLATE	NAME	EACH
46108	6189	Cloth Plate Slide (large) complete for 46109, Nos. 46107, two 38416 and four 725H.....	\$ 75
52527	—	Cloth Plate Slide (large) for 52528.....	60
52528	6489	Cloth Plate Slide (large) complete for 52529, Nos. 52527, two 38416 and four 725H.....	75
38416	6500	Cloth Plate Slide (large) Spring.....	05
725H	6500	" " " " " Screw.....	02
38418	—	" " " (small).....	30
38420	6486	Cloth Plate Slide (small) complete, Nos. 38418, 38419 and two 725H.....	40
38419	6500	Cloth Plate Slide (small) Spring.....	05
725H	6500	" " " " " Screw.....	02
46109	—	Cloth Plate complete, for $\frac{1}{2}$ in. to $\frac{3}{4}$ in., $\frac{3}{8}$ in. to $\frac{1}{2}$ in. and $\frac{1}{2}$ in. to $\frac{3}{4}$ in. gauges, Nos. 38414, 38420 and 46108.....	3 65
52529	—	Cloth Plate complete, for $\frac{3}{8}$ in. to $\frac{3}{4}$ in., $\frac{3}{8}$ in. to $\frac{1}{2}$ in. and $\frac{1}{2}$ in. to $\frac{3}{4}$ in. gauges, Nos. 38414, 38420 and 52528.....	3 65
46221	6190	Crank Connecting Rod with 46222, 46223 and two each 896E and 1057E.....	2 00
50069c	6535	Crank Connecting Rod Ball Screw Stud.....	20
1619E	6535	" " " " " " " Nut.....	05
*46222	—	Crank Connecting Rod Cap (lower).....	25
896E	6534	" " " " " " " Screw.....	04
*46223	—	" " " " (upper).....	35
1057E	6534	" " " " " " " Screw.....	04
46225	6533	" " " Washer (fibre).....	02
46372	6514	Face Plate.....	50
46111	6533	" " Pin.....	02
286d	6535	" " Thumb Screw.....	10
38425	6490	Feed Bar with 231c and 460c.....	2 50
23716	6491	" " Bushing.....	40
23726	6491	" " Hinge Pin.....	50
231c	6534	" " Set Screw.....	03
38426	6491	" " Slide Block.....	50
38427	6490	" " Connecting Rod with 1057E, 23865 and two 896E.....	1 50
*23865	—	Feed Connecting Rod Cap.....	30
896E	6534	" " " " " " " Screw.....	04
23866	6491	" " " " " " " Hinge Pin (eccentric).....	20
1057E	6534	Feed Connecting Rod Hinge Pin Clamping Screw.....	04

NO.	PLATE	NAME	EACH
46373	6560	Feed Dog, for $\frac{1}{2}$ in. to $\frac{3}{4}$ in., $\frac{3}{16}$ in. to $\frac{7}{32}$ in. and $\frac{1}{2}$ in. to $\frac{3}{4}$ in. gauges.....	\$2 25
46374	6560	Feed Dog, for $\frac{1}{2}$ in. to $\frac{3}{4}$ in., $\frac{1}{4}$ in. to $\frac{13}{32}$ in. and $\frac{1}{2}$ in. to $\frac{3}{4}$ in. gauges.....	2 25
46459	6560	Feed Dog, for $\frac{1}{2}$ in. to $\frac{3}{4}$ in., $\frac{1}{8}$ in. to $\frac{5}{32}$ in. and $\frac{1}{2}$ in. to $\frac{3}{4}$ in. gauges.....	2 25
157D	6534	Feed Dog Screw.....	04
460c	6534	" " Stop Screw.....	02
*38127	—	" Eccentric.....	2 50
*23729	—	" " Body.....	2 50
443c	6491	" " " Set Screw.....	03
21331	6491	" " " Pressure Spring.....	03
21332	6491	" " " " Cap.....	10
934D	6491	" " " " Screw.....	02
196F	6491	" " " Set Screw.....	02
38128	6491	Feed Eccentric (adjustable) complete, Nos. 196F, 934D, 1103c, 21331, 21332, 23729, 38127 and two 443c.....	5 00
38429	6491	Feed Lifting Eccentric with two 465c....	1 00
46113	6500	" " " Cover.....	10
335D	6500	" " " " Screw.....	02
465c	6491	" " " " Set Screw.....	02
1103c	6491	" Regulating Screw.....	15
38431	6492	" Rocking Frame.....	1 25
38432	6492	" " " Bracket with two 465c.....	50
123E	6494	Feed Rocking Frame Bracket Screw.....	06
38433	6492	" " " Hinge Pin.....	50
465c	6491	" " " " " Set Screw.....	02
46375	6522	Looper (back) with 590D and 46115.....	2 25
1147c	6510	" " " Set Screw.....	03
46115	6511	" " " Thread Guard (double).....	05
590D	6510	" " " " Screw.....	02
46376	6522	" (front).....	2 25
46377	6522	" " Needle Guard with 46105.....	40
46105	6499	" " " " Pin.....	01
229D	6499	" " " " Screw.....	02
1120c	6510	" " " Set Screw.....	03
46226	6490	" Bell Crank with 1037c.....	50
38436	6490	" " " Hinge Stud.....	1 00
443c	6491	" " " " " Set Screw.....	03
46227	6492	Looper Bell Crank Pitman complete, Nos. 1706E, 1713E and 46233 to 46235.....	3 25
50070c	6535	Looper Bell Crank Pitman Ball Screw Stud (upper).....	15

NO.	PLATE	NAME	EACH
1636E	6535	Looper Bell Crank Pitman Ball Screw Stud (upper) Nut.....	\$ 03
46228	6493	Looper Bell Crank Pitman Ball Stud (lower).....	30
1037c	6493	Looper Bell Crank Pitman Ball Stud (lower) Set Screw.....	04
*46229	—	Looper Bell Crank Pitman Cap (lower)	—
171E	6534	" " " " " " " Screw.....	03
*46230	—	Looper Bell Crank Pitman Cap (upper)	—
171E	6534	" " " " " " " Screw.....	03
*46231	—	Looper Bell Crank Pitman End Bearing (lower).....	—
*46232	—	Looper Bell Crank Pitman End Bearing (upper).....	—
46233	6492	Looper Bell Crank Pitman Head (lower) Nos. 46228, 46229, 46231 and two 171E	1 50
46234	6492	Looper Bell Crank Pitman Head (upper) Nos. 46230, 46232, 50070c and two 171E	1 50
46235	6492	Looper Bell Crank Pitman Rod.....	20
1706E	6535	" " " " " " Nut (lower).....	03
1713E	6535	Looper Bell Crank Pitman Rod Nut (upper).....	03
38496	6510	Looper Carrier with 1120c and three 1147c.....	1 75
38440	6493	Looper Carrier Hinge Pin.....	20
1147c	6493	" " " " Set Screw.....	03
46236	6492	Looper Carrier Pitman complete, Nos. 1708E, 1709E and 46241 to 46243.....	3 25
50070c	6535	Looper Carrier Pitman Ball Screw Stud (right).....	15
1636E	6535	Looper Carrier Pitman Ball Screw Stud (right) Nut.....	03
46237	6493	Looper Carrier Pitman Ball Stud (left)	25
1147c	6493	" " " " " " " Set Screw.....	03
*46238	—	Looper Carrier Pitman Cap (left).....	—
171E	6534	" " " " " " " Screw..	03
*46238	—	" " " " " (right).....	—
171E	6534	" " " " " " " Screw.	03
*46239	—	" " " " End Bearing (left).....	—
*46240	—	Looper Carrier Pitman End Bearing (right).....	—
46241	6492	Looper Carrier Pitman Head (left) Nos. 46237 to 46239 and two 171E.....	1 50

NO.	PLATE	NAME	EACH
46242	6492	Looper Carrier Pitman Head (right) Nos. 46238, 46240, 50070c and two 171E...	\$1 50
46243	6492	Looper Carrier Pitman Rod	20
1708E	6535	" " " " Nut (left)...	03
1709E	6535	" " " " " (right)...	03
46244	6533	" " " " Washer (fibre)...	02
46042	6493	" " " " Rock Shaft with two 175D	2 50
175D	6493	" " " " Adjusting Screw	02
38450	6493	Looper Carrier Rock Shaft Crank (forked) with 159E	2 00
159E	6493	Looper Carrier Rock Shaft Crank Clamping Screw	03
38451	6493	Looper Carrier Rock Shaft Crank Slide Block	50
46043	6493	Looper Carrier Rock Shaft Hinge Pin	75
1508E	6493	" " " " " " " " Nut	06
129E	6493	Looper Carrier Rock Shaft Hinge Pin Set Screw	04
38452	6493	Looper Eccentric with two 465c	1 00
465c	6493	" " " " Set Screw	02
38453	6494	" " Shaft	50
52553	6494	" " Bracket	50
123E	6494	" " " " Screw	06
391D	6494	" " " " Screw	02
46051	6508	Needle Bar	60
46117	—	Needle Bar complete, Nos. 46051 and 46122	2 25
38456	6493	Needle Bar Bushing	50
1133E	6493	" " " " Set Screw	02
46205	6511	" " " " Connecting Link	40
38459	6494	" " " " " " Hinge Stud	30
1520E	6494	" " " " " " " " Nut	03
46206	6511	Needle Bar Connecting Stud with two 391E	1 50
391E	6494	Needle Bar Connecting Stud Clamping Screw	02
46378	6522	Needle Bar Stop Collar with 237F	15
46379	6522	" " " " " " Connection	15
665D	6522	" " " " " " " " Screw	02
237F	6522	" " " " " " Set Screw	02
46118	—	" " Clamp Body	1 00
46119	6522	" " Collar with 46120 and three 457F	60

NO.	PLATE	NAME	EACH
457F	6522	Needle Clamp Collar Set Screw	\$ 02
46120	6522	" " " " Thread Guard	03
46121	6522	" " " " Washer	01
46122	6522	Needle Clamp complete, Nos. 46118, 46119 and 46121	1 60
46123	6523	Needle Guard (back) for $\frac{1}{2}$ in. to $\frac{3}{4}$ in., $\frac{1}{8}$ in. to $\frac{1}{4}$ in. and $\frac{1}{2}$ in. to $\frac{3}{4}$ in. gauges	75
46259	6523	Needle Guard (back) for $\frac{1}{2}$ in. to $\frac{3}{4}$ in., $\frac{5}{8}$ in. to $\frac{1}{2}$ in. and $\frac{1}{2}$ in. to $\frac{3}{4}$ in. gauges	75
52530	6523	Needle Guard (back) for $\frac{1}{2}$ in. to $\frac{3}{4}$ in., $\frac{3}{8}$ in. to $\frac{1}{2}$ in. and $\frac{1}{2}$ in. to $\frac{3}{4}$ in. gauges	75
1492D	6534	Needle Guard (back) Screw	03
46124	6523	" " (front) for $\frac{1}{2}$ in. to $\frac{3}{4}$ in., $\frac{1}{8}$ in. to $\frac{1}{4}$ in. and $\frac{1}{2}$ in. to $\frac{3}{4}$ in. gauges	75
46260	6523	Needle Guard (front) for $\frac{1}{2}$ in. to $\frac{3}{4}$ in., $\frac{5}{8}$ in. to $\frac{1}{2}$ in. and $\frac{1}{2}$ in. to $\frac{3}{4}$ in. gauges	75
52531	6523	Needle Guard (front) for $\frac{1}{2}$ in. to $\frac{3}{4}$ in., $\frac{3}{8}$ in. to $\frac{1}{2}$ in. and $\frac{1}{2}$ in. to $\frac{3}{4}$ in. gauges	75
206D	6534	Needle Guard (front) Screw	02
457F	6522	" " " " " " " " Set Screw	02
46195	6507	Oil Cup (back of arm)	1 00
46196	6507	" " " " " " " " Cover with 460c	35
14057	6532	Oil Cup (back of arm) Cover Hinge Pin	03
46197	6532	Oil Cup (back of arm) Cover Spring	10
578F	6532	" " " " " " " " " " Screw	02
46198	6532	" " " " " " " " " " Stripper (felt)	02
665D	6532	Oil Cup (back of arm) Cover Stripper Screw	02
46199	6532	Oil Cup (back of arm) Cover Thread Guide	05
460c	6534	Oil Cup (back of arm) Cover Thread Guide Set Screw	02
46200	6532	Oil Cup (back of arm) Oil Pad (felt)	02
46201	6532	" " " " " " " " Stripper (felt)	02
46202	—	Oil Cup (back of arm) complete, Nos. 578F, 14057, 46195 to 46197, 46199, two each 46198, 46200, 46201 and four 665D	1 75

NO.	PLATE	NAME	EACH
129D	6534	Oil Cup (back of arm) Screw.....	\$ 04
46380	6532	" " (front of arm).....	1 35
1284D	6532	" " " " Oil Regulating Screw.....	08
38100	6532	Oil Cup (front of arm) Packing (felt)....	01
46381	6532	Oil Cup (front of arm) complete, Nos. 1284D, 38100 and 46380.....	1 50
190D	6532	Oil Cup (front of arm) Screw.....	03
17540	6492	Presser Bar.....	30
52532	6522	" " Bushing (lower).....	80
1133E	6493	" " " " Set Screw....	02
38456	6493	" " " (upper).....	50
1133E	6493	" " " " Set Screw....	02
17541	6494	" " Lifter.....	20
17542	6494	" " Hinge Pin.....	05
38466	6494	" " Lifting Bracket with 453C and 892C.....	1 00
892C	6494	Presser Bar Lifting Bracket Adjusting Screw.....	05
453C	6494	Presser Bar Lifting Bracket Set Screw....	02
46125	6508	" " Spring (flat).....	50
38468	6494	" " " Stud.....	03
15261	6502	" " Stop Collar with 237F.....	15
237F	6502	" " " " Set Screw.....	02
46173	6561	" Foot (left guide) with 337D and 46174.....	3 00
46174	6561	Presser Foot Guide (left) for 46173.....	1 25
337D	6561	" " " " Screw.....	02
46126	6561	" " (right guide) with 337D and 46127.....	3 00
46127	6561	Presser Foot Guide (right) for 46126....	1 25
337D	6561	" " " " Screw.....	02
46296	6561	" " (left) for 46299.....	1 50
337D	6561	" " " Screw (back).....	02
665D	6561	" " " " (front).....	02
26276	6533	" " Hinge Pin.....	01
46297	—	" " Plate.....	3 50
46298	—	" " Shank.....	2 00
46299	6561	Presser Foot (side hinged) with left guide, complete, Nos. 337D, 665D, 26276 and 46296 to 46298.....	7 00
46300	6561	Presser Foot Guide (right) for 46303....	1 50
337D	6561	" " " Screw (back).....	02
665D	6561	" " " " (front).....	02
26276	6533	" " Hinge Pin.....	01
46301	—	" " Plate.....	3 50
46302	—	" " Shank.....	2 00

NO.	PLATE	NAME	EACH
46303	6561	Presser Foot (side hinged) with right guide, complete, Nos. 337D, 665D, 26276 and 46300 to 46302.....	\$7 00
190D	6496	Presser Foot Screw.....	03
574D	6536	Pressure Regulating Thumb Screw.....	15
1539D	6535	" " " " Lock Nut.....	05
46207	6513	Slack Thread Controller.....	20
46035	6496	" " " Clamp.....	10
190D	6496	" " " " Screw....	03
2102	6496	Tension (under thread) Disc.....	05
1560C	6496	" " " Regulating Thumb Nut.....	04
916F	6496	Tension (under thread) Screw Stud.....	08
42121	6496	" " " Spring.....	03
17547	6496	" " " Thread Guide....	25
2102	6496	" (upper thread) Disc.....	05
1560C	6496	" " " Regulating Thumb Nut.....	04
916F	6496	Tension (upper thread) Screw Stud.....	08
2103	6496	" " " Spring.....	03
17547	6496	" " " Thread Guide....	25
50105C	6524	" (upper thread, automatic) Body	25
46382	6524	" " " " " "	03
46383	6524	Releasing Pin.....	03
1253C	6524	Tension (upper thread, automatic) Cam with two 1253C.....	1 25
1253C	6524	Tension (upper thread, automatic) Cam Set Screw.....	03
2102	6524	Tension (upper thread, automatic) Disc..	05
46384	6524	" " " " Plate	30
381D	6534	" " " " " "	06
1560C	6524	Screw.....	06
1560C	6524	Tension (upper thread, automatic) Regu- lating Thumb Nut.....	04
32572	6524	Tension (upper thread, automatic) Re- leasing Disc.....	05
50106F	6524	Tension (upper thread, automatic) Screw Stud.....	10
46385	6524	Tension (upper thread, automatic) Screw Stud Releasing Pin.....	01
46386	6524	Tension (upper thread, automatic) Separat- ing Disc.....	10
46387	6524	Tension (upper thread, automatic) Spring	03
46388	6524	" " " " Thread Guide (double).....	35



NO.	PLATE	NAME	EACH
38225	6497	Thread (under) Eyelet (back).....	\$ 10
190D	6497	" " " " Screw.....	03
38284	6497	" " " (front).....	05
46049	6497	" " Nipper Cam with 465c....	50
465C	6497	" " " " Set Screw....	02
38210	6497	" " " Spring (lower)....	15
38211	6497	" " " " (upper)....	25
46247	6497	" " " " " Stop	10
176D	6497	" " " " Screw.....	03
46389	6522	" " Take-up with 465c.....	1 00
465C	6497	" " " Set Screw.....	02
46390	6522	" " " Staple.....	50
46040	6498	" " " " Bracket	
		with 910c.....	2 00
690D	6534	Thread (under) Take-up Staple Bracket	
		Screw.....	05
46041	6497	Thread (under) Take-up Staple Spring	05
190D	6497	" " " " " "	
		Screw.....	03
910C	6497	Thread (under) Take-up Staple Stop	
		Screw.....	03
46391	6522	Thread (under) Take-up Stripper.....	60
207D	6497	" " " " Screw..	02
38476	6497	" " " Thread Guard	
		(left).....	15
207D	6497	Thread (under) Take-up Thread Guard	
		(left) Screw.....	02
38477	6497	Thread (under) Take-up Thread Guard	
		(right).....	20
207D	6497	Thread (under) Take-up Thread Guard	
		(right) Screw.....	02
46392	6524	Thread (upper) Controller.....	1 25
50107F	6524	" " " Hinge Screw..	08
1620D	6524	" " " " " Nut	03
1964	6524	" " " Roller.....	20
46393	6524	" " " " Bracket	
		with 453c and 1964.....	1 00
453C	6524	Thread (upper) Controller Roller Bracket	
		Set Screw.....	02
52728	6524	Thread (upper) Take-up with 52729 and	
		two 4604.....	1 00
52729	6524	Thread (upper) Take-up Thread Guide	20
4604	6524	" " " " " "	
		Rivet.....per 100	10
228D	6513	Thread (upper) Take-up Screw.....	02
46394	6560	Throat Plate with two each 665D and	
		46396, for 46373.....	2 25

NO.	PLATE	NAME	EACH
46395	6560	Throat Plate with two each 665D and	
		46396, for 46374.....	\$2 25
46460	6560	Throat Plate with two each 665D and	
		46075, for 46459.....	2 25
691F	6534	Throat Plate Screw.....	04
46396	6560	" " Thread Retainer for 46394	
		and 46395.....	10
46075	6542	Throat Plate Thread Retainer for 46460..	10
665D	6542	" " " " Screw.....	02

## LIST OF PARTS COMPLETE

FOR

## MACHINE NO. 62-46

FOR SKIRTS, SHIRT WAISTS, MILLINERY AND OTHER GOODS. MAKES TWO ROWS OF AIR TUCKING IN ONE OPERATION. MATERIAL TO BE USED MUST BE SENT WITH THE ORDER FOR MACHINE, AND THE HEIGHT OF TUCK  $\frac{1}{32}$  TO  $\frac{1}{8}$  INCH SPECIFIED. HAS FOUR NEEDLES, TWO LOOPERS. GAUGES BETWEEN THE FIRST AND SECOND AND BETWEEN THE THIRD AND FOURTH NEEDLES  $\frac{1}{32}$  TO  $\frac{5}{64}$  INCH, AND BETWEEN THE SECOND AND THIRD NEEDLES  $\frac{1}{8}$  TO  $\frac{13}{32}$  INCH.

NO.	PLATE	NAME	EACH
*52739	----	Arm, upper and lower (solid).....	\$20 00
52630	6533	" Oil Tube with 49092, for oiling	
		46221.....	20
49092	6533	Arm Oil Tube Packing (felt).....	01
46216	6490	" Rock Shaft.....	1 00
46217	6491	" " " Crank (back) with two	
		1497c.....	80
1497C	6491	Arm Rock Shaft Crank (back) Set Screw.	05
38412	6491	" " " " (front) with 443c.	1 25
23724	6491	" " " " " Pin.....	01
443C	6491	" " " " " Set Screw.	03
46218	6482	" Rotary Shaft.....	3 00
38329	6491	" " " Collar with two 457c..	25
457C	6491	" " " " Set Screw.....	02
23872	6490	" " " Flanged Bushing.....	1 00
159F	6493	" " " " " Screw	03
4784	6533	" " " Oil Pad (felt).....	01
144D	6534	" " " Screw.....	08

NO.	PLATE	NAME	EACH
17509	6490	Arm Side Cover (lower).....	\$ 15
286D	6535	" " " " Thumb Screw....	10
52554	6490	" " " (upper).....	20
9533	6533	" " " " Pin.....	02
176D	6494	" " " " Screw.....	03
23873	6482	Balance Wheel with two 430c.....	80
430C	6534	" " Set Screw.....	04
38414	6483	Cloth Plate.....	2 50
691F	6534	" " Screw (left).....	04
1094F	6534	" " " (right).....	03
46107	—	" " Slide (large).....	60
46108	6489	Cloth Plate Slide (large) complete, Nos. 46107, two 38416 and four 725H.....	75
38416	6500	Cloth Plate Slide (large) Spring.....	05
725H	6500	" " " " " Screw.....	02
38418	—	" " " (small).....	30
38420	6486	Cloth Plate Slide (small) complete, Nos. 38418, 38419 and two 725H.....	40
38419	6500	Cloth Plate Slide (small) Spring.....	05
725H	6500	" " " " " Screw....	02
46109	—	Cloth Plate complete, Nos. 38414, 38420 and 46108.....	3 65
46221	6490	Crank Connecting Rod with 46222, 46223 and two each 896E and 1057E.....	2 00
50069C	6535	Crank Connecting Rod Ball Screw Stud	20
1619E	6535	" " " " " " "	
		Nut.....	05
*46222	—	Crank Connecting Rod Cap (lower).....	25
896E	6534	" " " " " " Screw.....	04
*46223	—	" " " (upper).....	35
1057E	6534	" " " " " " Screw.....	04
46225	6533	" " " " Washer (fibre)....	02
46110	6498	Face Plate.....	50
46111	6533	" " Pin.....	02
286D	6535	" " Thumb Screw.....	10
38425	6490	Feed Bar with 231c and 460c.....	2 50
23716	6491	" " Bushing.....	40
23726	6491	" " Hinge Pin.....	50
231C	6534	" " Set Screw.....	03
38426	6491	" " Slide Block.....	50
38427	6490	" Connecting Rod with 1057E, 23865 and two 896E.....	1 50
*23865	—	Feed Connecting Rod Cap.....	30
896E	6534	" " " " " " Screw.....	04
23866	6491	" " " " H i n g e P i n (eccentric).....	20

NO.	PLATE	NAME	EACH
1057E	6534	Feed Connecting Rod Hinge Pin Clamp- ing Screw.....	\$ 04
46185	6562	Feed Dog, for $\frac{1}{16}$ in., $\frac{1}{8}$ in. and $\frac{1}{4}$ in. gauges.....	1 75
157D	6534	Feed Dog Screw.....	04
460C	6534	" " Stop Screw.....	02
*38127	—	" Eccentric.....	2 50
*23729	—	" " Body.....	2 50
443C	6491	" " " Set Screw.....	03
21331	6491	" " Pressure Spring.....	03
21332	6491	" " " " Cap.....	10
934D	6491	" " " " " Screw.....	02
196F	6491	" " " Set Screw.....	02
38128	6491	Feed Eccentric (adjustable) complete, Nos. 196F, 934D, 1103C, 21331, 21332, 23729, 38127 and two 443C.....	5 00
38429	6491	Feed Lifting Eccentric with two 465c....	1 00
46113	6500	" " " Cover.....	10
335D	6500	" " " " " Screw.....	02
465C	6491	" " " " Set Screw.....	02
1103C	6491	" Regulating Screw.....	15
38431	6492	" Rocking Frame.....	1 25
38432	6492	" " " Bracket with two 465c.....	50
123E	6494	Feed Rocking Frame Bracket Screw.....	06
38433	6492	" " " Hinge Pin.....	50
465C	6491	" " " " " " S e t Screw.....	02
46114	6525	Looper (back) with 590D and 46115.....	2 25
1147C	6510	" " Set Screw.....	03
46115	6511	" " Thread Guard (double)....	05
590D	6510	" " " " " " Screw.....	02
46116	6525	" (front).....	2 25
1120C	6510	" " Set Screw.....	03
38435	6512	" Bell Crank.....	50
38436	6490	" " " Hinge Stud.....	1 00
443C	6491	" " " " " " Set Screw.....	03
46101	6512	" " " Pitman with 46102, 46103 and four 187D.....	2 00
777C	6535	Looper Bell Crank Pitman Ball Screw Stud (lower).....	12
1636E	6535	Looper Bell Crank Pitman Ball Screw Stud (lower) Nut.....	03
50039C	6535	Looper Bell Crank Pitman Ball Screw Stud (upper).....	20
1636E	6535	Looper Bell Crank Pitman Ball Screw Stud (upper) Nut.....	03

NO.	PLATE	NAME	EACH
*46102	---	Looper Bell Crank Pitman Cap (lower)	\$ 30
187D	6532	" " " " " "	
		Screw.....	02
*46103	---	Looper Bell Crank Pitman Cap (upper)	35
187D	6532	" " " " " "	
		Screw.....	02
38496	6510	Looper Carrier with 1120c and three 1147c.....	1 75
38440	6493	Looper Carrier Hinge Pin.....	20
1147c	6493	" " " " Set Screw.....	03
46236	6492	Looper Carrier Pitman complete, Nos. 1708E, 1709E and 46241 to 46243.....	3 25
50070c	6535	Looper Carrier Pitman Ball Screw Stud (right).....	15
1636E	6535	Looper Carrier Pitman Ball Screw Stud (right) Nut.....	03
46237	6493	Looper Carrier Pitman Ball Stud (left)	25
1147c	6493	" " " " " "	
		Set Screw.....	03
*46238	---	Looper Carrier Pitman Cap (left).....	---
171E	6534	" " " " " " Screw.....	03
*46238	---	" " " " (right).....	---
171E	6534	" " " " " " Screw.....	03
*46239	---	" " " " End Bearing (left).....	---
*46240	---	Looper Carrier Pitman End Bearing (right).....	---
46241	6492	Looper Carrier Pitman Head (left) Nos. 46237 to 46239 and two 171E.....	1 50
46242	6492	Looper Carrier Pitman Head (right) Nos. 46238, 46240, 50070c and two 171E.....	1 50
46243	6492	Looper Carrier Pitman Rod.....	20
1708E	6535	" " " " Nut (left).....	03
1709E	6535	" " " " " (right).....	03
46244	6533	" " " " Washer (fibre).....	02
46042	6493	" " " " Rock Shaft with two 175D	2 50
175D	6493	" " " " " " Adjusting Screw.....	02
38450	6493	Looper Carrier Rock Shaft Crank (forked) with 159E.....	2 00
159E	6493	Looper Carrier Rock Shaft Crank Clamping Screw.....	03
38451	6493	Looper Carrier Rock Shaft Crank Slide Block.....	50
46043	6493	Looper Carrier Rock Shaft Hinge Pin	75
1508E	6493	" " " " " " " "	
		Nut.....	06

NO.	PLATE	NAME	EACH
129E	6493	Looper Carrier Rock Shaft Hinge Pin Set Screw.....	\$ 04
38452	6493	Looper Eccentric with two 465c.....	1 00
465c	6493	" " " " Set Screw.....	02
38453	6494	" " Shaft.....	50
52553	6494	" " Bracket.....	50
123E	6494	" " " " Screw.....	06
391D	6494	" " " " Screw.....	02
46051	6508	Needle Bar.....	60
46117	---	Needle Bar complete, Nos. 46051 and 46122.....	2 25
38456	6493	Needle Bar Bushing.....	50
1133E	6493	" " " " Set Screw.....	02
38458	6494	" " " " Connecting Link.....	50
38459	6494	" " " " " " Hinge Stud	30
1520E	6494	" " " " " " " "	
		Nut.....	03
38460	6494	Needle Bar Connecting Stud with two 391E.....	1 00
391E	6494	Needle Bar Connecting Stud Clamping Screw.....	02
15261	6502	Needle Bar Stop Collar with 237E.....	15
237E	6502	" " " " " " Set Screw.....	02
46118	---	" " Clamp Body.....	1 00
46119	6522	" " Collar with 46120 and three 457E.....	60
457E	6522	Needle Clamp Collar Set Screw.....	02
46120	6522	" " " " Thread Guard.....	03
46121	6522	" " " " Washer.....	01
46122	6522	Needle Clamp complete, Nos. 46118, 46119 and 46121.....	1 60
46123	6523	Needle Guard (back).....	75
1492D	6534	" " " " " " Screw.....	03
46124	6523	" " " " (front).....	75
206D	6534	" " " " " " Screw.....	02
457E	6522	" " " " " " Set Screw.....	02
17540	6492	Presser Bar.....	30
38464	6494	" " " " Bushing (lower).....	80
1133E	6493	" " " " " " Set Screw.....	02
38456	6493	" " " " " (upper).....	50
1133E	6493	" " " " " " Set Screw.....	02
17541	6494	" " " " Lifter.....	20
17542	6494	" " " " " " Hinge Pin.....	05
38466	6494	" " " " Lifting Bracket with 453c and 892c.....	1 00
892c	6494	Presser Bar Lifting Bracket Adjusting Screw.....	05

NO.	PLATE	NAME	EACH
453C	6494	Presser Bar Lifting Bracket Set Screw...	\$ 02
38467	6492	" " Spring (flat).....	50
38468	6494	" " " Stud.....	03
15261	6502	" " Stop Collar with 237F.....	15
237F	6502	" " " " Set Screw.....	02
26276	6533	" Foot Hinge Pin.....	01
46186	—	" " Plate.....	2 40
46187	—	" " Shank.....	60
46188	6562	Presser Foot (hinged) complete, for continuous tucking, Nos. 26276, 46186 and 46187.....	3 00
26276	6533	Presser Foot Hinge Pin.....	01
46189	—	" " Plate.....	2 40
46187	—	" " Shank.....	60
46190	6562	Presser Foot (hinged) complete, for space tucking, Nos. 26276, 46187 and 46189.....	3 00
46191	6562	Presser Foot Guide (left).....	10
223F	6562	" " " " Set Screw.....	02
46192	6562	" " " (right).....	10
1076F	6562	" " " " Set Screw.....	03
46193	6562	" " " Holder with 223F and 1076F.....	50
176D	6494	Presser Foot Screw.....	03
574D	6536	Pressure Regulating Thumb Screw.....	15
1539D	6535	" " " " Lock Nut.....	05
46034	6496	Slack Thread Controller.....	05
46035	6496	" " " Clamp.....	10
190D	6496	" " " " Screw.....	03
46128	6525	" " Regulator.....	1 50
46129	6525	" " " Bracket with 190D and 1981.....	1 25
190D	6525	Slack Thread Regulator Bracket Clamping Screw.....	03
1981	6525	Slack Thread Regulator Bracket Roller (roller only).....	08
46130	6525	Slack Thread Regulator Bushing.....	20
50040D	6525	" " " Screw.....	07
2102	6496	Tension (under thread) Disc.....	05
1560C	6496	" " " Regulating Thumb Nut.....	04
916F	6496	Tension (under thread) Screw Stud.....	08
42121	6496	" " " Spring.....	03
17547	6496	" " " Thread Guide.....	25
2102	6496	" (upper thread) Disc.....	05
1560C	6496	" " " Regulating Thumb Nut.....	04

NO.	PLATE	NAME	EACH
916F	6496	Tension (upper thread) Screw Stud.....	\$ 08
2103	6496	" " " Spring.....	03
17547	6496	" " " Thread Guide.....	25
38225	6497	Thread (under) Eyelet (back).....	10
190D	6497	" " " " Screw.....	03
38284	6497	" " " (front).....	05
46049	6497	" " Nipper Cam with 465c.....	50
465c	6497	" " " " Set Screw.....	02
38210	6497	" " " Spring (lower).....	15
38211	6497	" " " " (upper).....	25
46247	6497	" " " " " Stop.....	10
176D	6497	" " " " Screw.....	03
38475	6497	" " Take-up with 465c.....	1 00
465c	6497	" " " Set Screw.....	02
46047	6510	" " " Staple.....	50
46040	6498	" " " Bracket with 910c.....	2 00
690D	6531	Thread (under) Take-up Staple Bracket Screw.....	05
46041	6497	Thread (under) Take-up Staple Spring.....	05
190D	6497	" " " " " Screw.....	03
910c	6497	Thread (under) Take-up Staple Stop Screw.....	03
38482	6497	Thread (under) Take-up Stripper.....	60
207D	6497	" " " " Screw.....	02
38476	6497	" " " Thread Guard (left).....	15
207D	6497	Thread (under) Take-up Thread Guard (left) Screw.....	02
38477	6497	Thread (under) Take-up Thread Guard (right).....	20
207D	6497	Thread (under) Take-up Thread Guard (right) Screw.....	02
46131	6525	Thread (upper) Controller.....	1 50
38474	6496	" " " Bushing.....	20
46132	6525	" " " Eyelet (left).....	35
207F	6525	" " " " " Screw.....	02
46133	6525	Thread (upper) Controller Eyelet (right).....	25
207F	6525	" " " " " Screw.....	02
46134	6525	Thread (upper) Controller Fork.....	80
212c	6525	" " " " Cap Screw.....	04
166D	6525	" " " Screw.....	07
46136	6525	" " Take-up with 457c.....	90
457c	6525	" " " Set Screw.....	02

NO.	PLATE	NAME	EACH
46194	6562	Throat Plate with 46305, 46306 and two each 665D and 46075, for 46185.....	\$3 50
46305	6562	Throat Plate Ridge Guide (long).....	25
46306	6562	" " " " (short).....	25
691F	6534	" " Screw.....	01
46075	6542	" " Thread Retainer.....	10
665D	6542	" " " " Screw.....	02

### LIST OF PARTS COMPLETE

FOR

### MACHINE NO. 62-47

FOR GENERAL WORK IN FABRICS AND LIGHT LEATHER. FOR LAP SEAMING BUTTON LAPS ON SHOES, ETC. TWO NEEDLES, TWO LOOPERS, GAUGES  $\frac{3}{32}$  INCH TO  $\frac{3}{16}$  INCH. ALTERNATING PRESSERS, INDEPENDENT UPPER AND UNDER FEEDS

NO.	PLATE	NAME	EACH
*52583	—	Arm, upper and lower (solid).....	\$20 00
52630	6533	" Oil Tube with 49092, for oiling 46221.....	20
49092	6533	Arm Oil Tube Packing (felt).....	01
46216	6490	" Rock Shaft.....	1 00
46217	6491	" " " Crank (back) with two 1497c.....	80
1497c	6491	Arm Rock Shaft Crank (back) Set Screw.....	05
46399	6502	" " " " (front) with 448c and 457c.....	1 50
23724	6491	Arm Rock Shaft Crank (front) Pin.....	01
448c	6502	" " " " " Set Screw.....	03
46218	6482	" Rotary Shaft.....	3 00
38329	6491	" " " Collar with two 457c.....	25
457c	6491	" " " " " Set Screw.....	02
23872	6490	" " " Flanged Bushing.....	1 00
159F	6493	" " " " " " Screw.....	03
4784	6533	Arm Rotary Shaft Oil Pad (felt).....	01
144D	6534	" " " " " Screw.....	08
17509	6490	" Side Cover (lower).....	15
286D	6535	" " " " " Thumb Screw.....	10
52554	6490	" " " " (upper).....	20
9533	6533	" " " " " Pin.....	02
176D	6494	" " " " " Screw.....	03

NO.	PLATE	NAME	EACH
23873	6482	Balance Wheel with two 430c.....	\$ 80
430c	6534	" " " " " Set Screw.....	04
38414	6483	Cloth Plate.....	2 50
691F	6534	" " " " " Screw (left).....	04
1094F	6534	" " " " " (right).....	03
38415	—	" " " " " Slide (large) with 1602H.....	60
38417	6486	Cloth Plate Slide (large) complete, Nos. 38415, two 38416 and four 725H.....	75
1602H	6535	Cloth Plate Slide (large) Bushing.....	02
38416	6500	" " " " " Spring.....	05
725H	6500	" " " " " " Screw.....	02
38418	—	" " " " " (small).....	30
38420	6486	Cloth Plate Slide (small) complete, Nos. 38418, 38419 and two 725H.....	40
38419	6500	Cloth Plate Slide (small) Spring.....	05
725H	6500	" " " " " " Screw.....	02
38421	—	Cloth Plate complete, Nos. 38414, 38417 and 38420.....	3 65
46221	6490	Crank Connecting Rod with 46222, 46223 and two each 896E and 1057E.....	2 00
50069c	6535	Crank Connecting Rod Ball Screw Stud.....	20
1619E	6535	" " " " " " " " Nut.....	05
*46222	—	Crank Connecting Rod Cap (lower).....	25
896E	6534	" " " " " " " " Screw.....	04
*46223	—	" " " " " " (upper).....	35
1057E	6534	" " " " " " " " Screw.....	01
46225	6533	" " " " " Washer (fibre).....	02
52584	6507	Face Plate.....	75
171D	6534	" " " " " " " " Screw.....	03
38425	6490	Feed (lower) Bar with 231c and 460c.....	2 50
23716	6491	" " " " " Bushing.....	40
23726	6491	" " " " " Hinge Pin.....	50
231c	6534	" " " " " Set Screw.....	03
38426	6491	" " " " " Slide Block.....	50
38427	6490	" " " " " Connecting Rod with 1057E, 23865 and two 896E.....	1 50
*23865	—	Feed (lower) Connecting Rod Cap.....	30
896E	6534	" " " " " " " " Screw.....	04
23866	6491	" " " " " " " " Hinge Pin (eccentric).....	20
1057E	6534	Feed (lower) Connecting Rod Hinge Pin Clamping Screw.....	04
52534	6555	Feed (lower) Dog.....	2 75
898D	6534	" " " " " " " " Screw.....	04
460c	6534	" " " " " " " " Stop Screw.....	02
*38127	—	" " " " " Eccentric.....	2 50

NO.	PLATE	NAME	EACH
*23729	—	Feed (lower) Eccentric Body.....	\$2 50
443c	6491	“ “ “ “ Set Screw..	03
21331	6491	“ “ “ Pressure Spring	03
21332	6491	“ “ “ “ “	10
		Cap.....	10
934d	6491	Feed (lower) Eccentric Pressure Spring	
		Cap Screw.....	02
196F	6491	Feed (lower) Eccentric Set Screw.....	02
38128	6491	Feed (lower) Eccentric (adjustable) complete, Nos. 196F, 934D, 1103c, 21331, 21332, 23729, 38127 and two 443c.....	5 00
38429	6491	Feed (lower) Lifting Eccentric with two 465c.....	1 00
46113	6500	Feed (lower) Lifting Eccentric Cover	10
335D	6500	“ “ “ “ “	
		Screw.....	02
465c	6491	Feed (lower) Lifting Eccentric Set Screw.	02
1103c	6491	“ “ Regulating Screw.....	15
38431	6492	“ “ Rocking Frame.....	1 25
38432	6492	“ “ “ “ Bracket	
		with two 465c.....	50
123E	6494	Feed (lower) Rocking Frame Bracket	
		Screw.....	06
38433	6492	Feed (lower) Rocking Frame Hinge Pin	50
465c	6491	“ “ “ “ “ “	
		Set Screw.....	02
52585	6526	Feed (upper) Bar.....	1 00
199D	6526	“ “ “ Cap Screw.....	04
52586	6526	“ “ “ Connecting Link.....	75
1423D	6526	“ “ “ “ “ Cap	
		Screw.....	04
1048c	6526	Feed (upper) Bar Connecting Link Hinge	
		Screw.....	05
19356	6505	Feed (upper) Bar Lifting Bell Crank	1 00
199D	6505	“ “ “ “ “ “	
		Cap Screw.....	04
52587	6526	Feed (upper) Bar Lifting Bell Crank	
		Connecting Link.....	75
199D	6526	Feed (upper) Bar Lifting Bell Crank	
		Connecting Link Cap Screw.....	04
46416	6505	Feed (upper) Bar Lifting Bell Crank	
		Driving Arm with 1186D.....	1 25
1186D	6505	Feed (upper) Bar Lifting Bell Crank	
		Driving Arm Clamping Screw.....	04
46417	6505	Feed (upper) Bar Lifting Bell Crank	
		Driving Arm Connection.....	75

NO.	PLATE	NAME	EACH
1423D	6526	Feed (upper) Bar Lifting Bell Crank	
		Driving Arm Connection Cap Screw..	\$ 04
46418	6505	Feed (upper) Bar Lifting Bell Crank	
		Driving Arm Connection Hinge Stud..	15
457c	6505	Feed (upper) Bar Lifting Bell Crank	
		Driving Arm Connection Hinge Stud	
		Set Screw.....	02
1316c	6505	Feed (upper) Bar Lifting Bell Crank	
		Driving Arm Connection Screw Stud..	08
46419	6505	Feed (upper) Bar Lifting Bell Crank	
		Driving Arm Shaft.....	1 00
52588	6526	Feed (upper) Bar Lifting Bell Crank	
		Driving Arm Shaft Bracket.....	40
896E	6534	Feed (upper) Bar Lifting Bell Crank	
		Driving Arm Shaft Bracket Screw.....	04
52589	6526	Feed (upper) Connecting Rod with 904c, 52590 and two 896E.....	80
*52590	—	Feed (upper) Connecting Rod Cap.....	—
896E	6534	“ “ “ “ “ Screw	04
40247	6504	“ “ “ “ “ Hinge Pin	05
904c	6504	“ “ “ “ “ “	
		Set Screw.....	02
*52723	—	Feed (upper) Eccentric.....	2 50
*52591	—	“ “ “ “ Body.....	2 50
446c	6527	“ “ “ “ Set Screw..	03
21331	6491	“ “ “ Pressure Spring	03
21332	6491	“ “ “ “ “	
		Cap.....	10
934D	6491	Feed (upper) Eccentric Pressure Spring	
		Cap Screw.....	02
196F	6491	Feed (upper) Eccentric Set Screw.....	02
52592	6527	Feed (upper) Eccentric (adjustable) complete, Nos. 196F, 934D, 1106c, 21331, 21332, 52591, 52723 and two 446c.....	5 00
1106c	6527	Feed (upper) Regulating Screw.....	18
52593	6512	“ “ Shaft.....	1 00
52594	6526	“ “ “ Crank (back) with 157E.....	2 00
157E	6526	Feed (upper) Shaft Crank (back) Clamping Screw.....	04
52595	6526	Feed (upper) Shaft Crank (front) with 1057E.....	1 25
1057E	6526	Feed (upper) Shaft Crank (front) Clamping Screw.....	04
52596	6555	Feeding Foot.....	1 25
203F	6534	“ “ Screw.....	03
46092	6492	Lifting Presser Bar.....	30

NO.	PLATE	NAME	EACH
46073	6493	Lifting Presser Bar Bushing (lower).....	\$ 80
1133E	6493	" " " " " Set	
		Screw.....	02
38456	6493	Lifting Presser Bar Bushing (upper).....	50
1133E	6493	" " " " " Set	
		Screw.....	02
46421	6505	Lifting Presser Bar Guide Bracket with 157D and 892C.....	2 50
892C	6494	Lifting Presser Bar Guide Bracket Ad- justing Screw.....	05
157D	6505	Lifting Presser Bar Guide Bracket Clamp- ing Screw.....	04
52597	6527	Lifting Presser Bar Lifter.....	30
52598	6527	" " " " Hinge Stud.....	20
465C	6491	" " " " " " Set	
		Screw.....	02
52599	6527	Lifting Presser Bar Lifting Bracket with 1356E.....	1 25
1356E	6527	Lifting Presser Bar Lifting Bracket Clamp- ing Screw.....	04
52600	6527	Lifting Presser Bar Lifting Bracket Con- necting Link.....	25
990F	6527	Lifting Presser Bar Lifting Bracket Con- necting Link Cap Screw.....	03
724C	6527	Lifting Presser Bar Lifting Bracket Con- necting Link Hinge Screw.....	05
46422	6508	Lifting Presser Bar Spring (flat).....	50
38468	6494	" " " " Stud.....	03
52535	6555	" " Foot.....	1 25
190D	6496	" " " Screw.....	03
52536	6509	Looper (back) with 590D and 38393.....	2 25
1147C	6510	" " Set Screw.....	03
38393	6493	" " Thread Guard.....	03
590D	6493	" " " " Screw.....	02
52537	6509	" (front).....	2 25
1120C	6510	" " Set Screw.....	03
46226	6490	" Bell Crank with 1037C.....	50
38436	6490	" " " Hinge Stud.....	1 00
443C	6491	" " " " " Set Screw.....	03
46227	6492	Looper Bell Crank Pitman complete, Nos. 1706E, 1713E and 46233 to 46235.....	3 25
50070C	6535	Looper Bell Crank Pitman Ball Screw Stud (upper).....	15
1636E	6535	Looper Bell Crank Pitman Ball Screw Stud (upper) Nut.....	03
46228	6493	Looper Bell Crank Pitman Ball Stud (lower).....	30

NO.	PLATE	NAME	EACH
1037C	6493	Looper Bell Crank Pitman Ball Stud (lower) Set Screw.....	\$ 04
*46229	---	Looper Bell Crank Pitman Cap (lower)	---
171E	6534	" " " " " " "	
		Screw.....	03
*46230	---	Looper Bell Crank Pitman Cap (upper)	---
171E	6534	" " " " " " "	
		Screw.....	03
*46231	---	Looper Bell Crank Pitman End Bearing (lower).....	---
*46232	---	Looper Bell Crank Pitman End Bearing (upper).....	---
46233	6492	Looper Bell Crank Pitman Head (lower) Nos. 46228, 46229, 46231 and two 171E	1 50
46234	6492	Looper Bell Crank Pitman Head (upper) Nos. 46230, 46232, 50070C and two 171E	1 50
46235	6492	Looper Bell Crank Pitman Rod.....	20
1706E	6535	" " " " " Nut	
		(lower).....	03
1713E	6535	Looper Bell Crank Pitman Rod Nut (upper).....	03
38496	6510	Looper Carrier with 1120C and three 1147C.....	1 75
38440	6493	Looper Carrier Hinge Pin.....	20
1147C	6493	" " " " Set Screw.....	03
46236	6492	Looper Carrier Pitman complete, Nos. 1708E, 1709E and 46241 to 46243.....	3 25
50070C	6535	Looper Carrier Pitman Ball Screw Stud (right).....	15
1636E	6535	Looper Carrier Pitman Ball Screw Stud (right) Nut.....	03
46237	6493	Looper Carrier Pitman Ball Stud (left)	25
1147C	6493	" " " " " " "	
		Set Screw.....	03
*46238	---	Looper Carrier Pitman Cap (left).....	---
171E	6534	" " " " " Screw.....	03
*46238	---	" " " " (right).....	---
171E	6534	" " " " " Screw.....	03
*46239	---	" " " End Bearing	
		(left).....	---
*46240	---	Looper Carrier Pitman End Bearing (right).....	---
46241	6492	Looper Carrier Pitman Head (left) Nos. 46237 to 46239 and two 171E.....	1 50
46242	6492	Looper Carrier Pitman Head (right) Nos. 46238, 46240, 50070C and two 171E.....	1 50
46243	6492	Looper Carrier Pitman Rod.....	20

NO.	PLATE	NAME	EACH
1708E	6535	Looper Carrier Pitman Rod Nut (left)...	\$ 03
1709E	6535	" " " " " (right)...	03
46244	6533	" " " Washer (fibre)...	02
46042	6493	" " Rock Shaft with two 175d	2 50
175d	6493	" " " " Adjusting Screw.....	02
38450	6493	Looper Carrier Rock Shaft Crank (forked) with 159E.....	2 00
159E	6493	Looper Carrier Rock Shaft Crank Clamp- ing Screw.....	03
38451	6493	Looper Carrier Rock Shaft Crank Slide Block.....	50
46043	6493	Looper Carrier Rock Shaft Hinge Pin	75
1508E	6493	" " " " " " "	
		Nut.....	06
129E	6493	Looper Carrier Rock Shaft Hinge Pin Set Screw.....	04
38452	6493	Looper Eccentric with two 465c.....	1 00
465c	6493	" " Set Screw.....	02
38453	6494	" Shaft.....	50
52553	6494	" " Bracket.....	50
123E	6494	" " " Screw.....	06
391d	6494	" " Screw.....	02
46051	6508	Needle Bar.....	60
46052	—	Needle Bar complete, Nos. 46051 and 46053.....	1 20
38456	6493	Needle Bar Bushing.....	50
1133E	6493	" " " Set Screw.....	02
38458	6494	" " Connecting Link.....	50
38459	6494	" " " " Hinge Stud	30
1520E	6494	" " " " " "	
		Nut.....	03
38460	6494	Needle Bar Connecting Stud with two 391E.....	1 00
391E	6494	Needle Bar Connecting Stud Clamping Screw.....	02
46053	6510	Needle Clamp with 46054 and two 1072F.	60
46054	6510	" " Thread Guide (two pieces)	03
38461	6510	" Guard (back).....	75
176F	6494	" " " Screw.....	03
46001	6510	" " (front).....	75
206d	6534	" " " Screw.....	02
1072F	6510	" Set Screw.....	02
46002	6533	Oil Cup with two 38463.....	30
38463	6533	" " Packing (felt).....	02
225F	6533	" " Screw.....	03
574d	6536	Pressure Regulating Thumb Screw.....	15

NO.	PLATE	NAME	EACH
1539d	6535	Pressure Regulating Thumb Screw Lock Nut.....	\$ 05
52538	6519	Slack Thread Controller.....	50
52539	6519	" " " Bracket.....	25
175d	6534	" " " " Screw...	02
52540	6519	" " " Connection with 457c.....	40
457c	6519	Slack Thread Controller Connection Set Screw.....	02
110c	6519	Slack Thread Controller Hinge Screw....	04
2102	6496	Tension (under thread) Disc.....	05
1560c	6496	" " " Regulating Thumb Nut.....	04
916F	6496	Tension (under thread) Screw Stud.....	08
10148	6496	" " " Spring.....	03
17547	6496	" " " Thread Guide....	25
2102	6496	" (upper thread) Disc.....	05
1560c	6496	" " " Regulating Thumb Nut.....	04
916F	6496	Tension (upper thread) Screw Stud.....	08
13710	6496	" " " Spring.....	03
17547	6496	" " " Thread Guide....	25
38225	6497	Thread (under) Eyelet (back).....	10
190d	6497	" " " Screw.....	03
38284	6497	" " " (front).....	05
46049	6497	" " Nipper Cam with 465c....	50
465c	6497	" " " " Set Screw... ..	02
38210	6497	" " " Spring (lower)....	15
38211	6497	" " " " (upper)....	25
46247	6497	" " " " Stop	10
176d	6497	" " " " Screw.....	03
38475	6497	" " Take-up with 465c.....	1 00
465c	6497	" " " Set Screw.....	02
46047	6510	" " " Staple.....	50
46040	6498	" " " " Bracket with 910c.....	2 00
690d	6534	Thread (under) Take-up Staple Bracket Screw.....	05
46041	6497	Thread (under) Take-up Staple Spring	05
190d	6497	" " " " " "	
		Screw.....	03
910c	6497	Thread (under) Take-up Staple Stop Screw.....	03
38482	6497	Thread (under) Take-up Stripper.....	60
207d	6497	" " " " Screw..	02
38476	6497	" " " Thread Guard (left).....	15



170 PARTS FOR MACHINE NO. 62-47

NO. PLATE	NAME	EACH
207D 6497	Thread (under) Take-up Thread Guard (left) Screw.....	\$ 02
38477 6497	Thread (under) Take-up Thread Guard (right).....	20
207D 6497	Thread (under) Take-up Thread Guard (right) Screw.....	02
52601 6527	Thread (upper) Controller.....	50
206F 6496	" " " Screw.....	02
46170 6519	" " Eyelet.....	25
190D 6496	" " " Screw.....	03
46171 6519	" " Take-up with 223D.....	80
223D 6519	" " Clamping Screw.....	02
52542 6555	Throat Plate for 52534.....	2 50
691F 6534	" " Screw.....	04

**LIST OF PARTS COMPLETE  
FOR  
MACHINE NO. 62-48**

FOR GENERAL WORK IN LIGHT FABRICS, FOR TRIMMING AND BINDING IN ONE OPERATION, HAS VERTICAL SHEAR TRIMMER OPERATED BY AN ECCENTRIC ON THE ARM ROTARY SHAFT, TRIMS FROM  $\frac{1}{16}$  TO  $\frac{3}{16}$  INCH FROM THE NEEDLE

NO. PLATE	NAME	EACH
*52607 —	Arm, upper and lower (solid).....	\$20 00
52630 6533	" Oil Tube with 49092, for oiling 46221.....	20
49092 6533	Arm Oil Tube Packing (felt).....	01
46216 6490	" Rock Shaft.....	1 00
46217 6491	" " Crank (back) with two 1497c.....	80
1497c 6491	Arm Rock Shaft Crank (back) Set Screw.....	05
38412 6491	" " " " (front) with 443c.....	1 25
23724 6491	" " " " " Pin.....	01
443c 6491	" " " " " Set Screw.....	03
46343 6482	" Rotary Shaft.....	3 00
38329 6491	" " " Collar with two 457c.....	25
457c 6491	" " " " Set Screw.....	02
23872 6490	" " " Flanged Bushing.....	1 00

PARTS FOR MACHINE NO. 62-48 171

NO. PLATE	NAME	EACH
159F 6193	Arm Rotary Shaft Flanged Bushing Screw.....	\$ 03
4784 6533	" " " Oil Pad (felt).....	01
144D 6534	" " " Screw.....	08
17509 6190	" Side Cover (lower).....	15
286D 6535	" " " " Thumb Screw.....	10
52554 6490	" " " (upper).....	20
9533 6533	" " " Pin.....	02
176D 6494	" " " " Screw.....	03
23873 6482	Balance Wheel with two 430c.....	80
430c 6534	" " Set Screw.....	04
52608 6485	Cloth Plate.....	2 50
52609 6488	" " Chute (hinged).....	1 25
330D 6519	" " " Screw.....	02
691F 6534	" " Screw (left).....	04
1094F 6534	" " " (right).....	03
46322H —	" " Slide (left).....	40
46323H 6488	Cloth Plate Slide (left) complete, Nos. 38419, 46322H and two 725H.....	50
38419 6500	Cloth Plate Slide (left) Spring.....	05
725H 6500	" " " " " Screw.....	02
52610 6488	Cloth Plate Slide (right) with 1602H.....	30
1602H 6535	" " " " Bushing.....	02
286D 6535	" " " " Thumb Screw.....	10
52611 —	Cloth Plate complete, Nos. 286D, 46323H, 52608 to 52610 and two 330D.....	4 70
46221 6490	Crank Connecting Rod with 46222, 46223 and two each S96E and 1057E.....	2 00
50069c 6535	Crank Connecting Rod Ball Screw Stud.....	20
1619E 6535	" " " " " " " Nut.....	05
*46222 —	Crank Connecting Rod Cap (lower).....	25
896E 6534	" " " " " Screw.....	01
*46223 —	" " " " (upper).....	35
1057E 6534	" " " " " Screw.....	04
46225 6533	" " " Washer (fibre).....	02
46179 6490	Face Plate.....	50
46111 6533	" " Pin.....	02
286D 6535	" " Thumb Screw.....	10
38425 6490	Feed Bar with 231c and 460c.....	2 50
23716 6491	" " Bushing.....	40
23726 6491	" " Hinge Pin.....	50
231c 6534	" " Set Screw.....	03
38426 6491	" " Slide Block.....	50
38427 6490	" Connecting Rod with 1057E, 23865 and two 896E.....	1 50
*23865 —	Feed Connecting Rod Cap.....	30
896E 6534	" " " " " Screw.....	04

NO.	PLATE	NAME	EACH
23866	6491	Feed Connecting Rod Hinge Pin (eccentric).....	\$ 20
1057E	6534	Feed Connecting Rod Hinge Pin Clamping Screw.....	04
52612	6563	Feed Dog.....	1 00
898D	6534	" " Screw.....	04
460C	6534	" " Stop Screw.....	02
*38127	—	" Eccentric.....	2 50
*23729	—	" " Body.....	2 50
443C	6491	" " " Set Screw.....	03
21331	6491	" " Pressure Spring.....	03
21332	6491	" " " " Cap.....	10
934D	6491	" " " " " Screw.....	02
196F	6491	" " " " Set Screw.....	02
38128	6491	Feed Eccentric (adjustable) complete, Nos. 196F, 934D, 1103C, 21331, 21332, 23729, 38127 and two 443C.....	5 00
1103C	6491	Feed Regulating Screw.....	15
38431	6492	" Rocking Frame.....	1 25
52613	6512	" " " Bracket with two 465C.....	50
123E	6494	Feed Rocking Frame Bracket Screw.....	06
38433	6492	" " " Hinge Pin.....	50
465C	6491	" " " " " Set Screw.....	02
52614	6528	Knife.....	10
52615	6528	" Bar.....	4 00
46350	6528	" " Eccentric with two 457C.....	1 00
457C	6519	" " " Set Screw.....	02
52616	6528	" Holder.....	1 00
1259C	6528	" " Adjusting Screw.....	03
190C	6496	" " Screw.....	03
52617	6528	" Support.....	50
206D	6534	" " Screw.....	02
52618	6529	Looper with 590B and 38393.....	2 25
46226	6490	" Bell Crank with 1037C.....	50
38436	6490	" " " Hinge Stud.....	1 00
443C	6491	" " " " " Set Screw.....	03
46227	6492	Looper Bell Crank Pitman complete, Nos. 1706E, 1713E and 46233 to 46235.....	3 25
50070C	6535	Looper Bell Crank Pitman Ball Screw Stud (upper).....	15
1636E	6535	Looper Bell Crank Pitman Ball Screw Stud (upper) Nut.....	03
46228	6493	Looper Bell Crank Pitman Ball Stud (lower).....	30
1037C	6493	Looper Bell Crank Pitman Ball Stud (lower) Set Screw.....	04

NO.	PLATE	NAME	EACH
*46229	—	Looper Bell Crank Pitman Cap (lower)	\$ —
171E	6534	" " " " " " " " " Screw.....	03
*46230	—	Looper Bell Crank Pitman Cap (upper)	—
171E	6534	" " " " " " " " " Screw.....	03
*46231	—	Looper Bell Crank Pitman End Bearing (lower).....	—
*46232	—	Looper Bell Crank Pitman End Bearing (upper).....	—
46233	6492	Looper Bell Crank Pitman Head (lower) Nos. 46228, 46229, 46231 and two 171E.....	1 50
46234	6492	Looper Bell Crank Pitman Head (upper) Nos. 46230, 46232, 50070C and two 171E.....	1 50
46235	6492	Looper Bell Crank Pitman Rod.....	20
1706E	6535	" " " " " Nut (lower).....	03
1713E	6535	Looper Bell Crank Pitman Rod Nut (upper).....	03
52619	6529	Looper Carrier with three 1147C.....	1 50
38440	6493	" " " Hinge Pin.....	20
1147C	6493	" " " " " Set Screw.....	03
52620	6512	Looper Carrier Pitman complete, Nos. 1697E, 1698E, 38445, 38446 and 52621.....	3 25
50016C	6535	Looper Carrier Pitman Ball Screw Stud (right).....	15
1518E	6535	Looper Carrier Pitman Ball Screw Stud (right) Nut.....	01
38442	6529	Looper Carrier Pitman Ball Stud (left).....	25
1147C	6493	" " " " " " " " " Set Screw.....	03
*42525	—	Looper Carrier Pitman Cap (left).....	—
187E	6532	" " " " " " " " " Screw.....	02
*42524	—	" " " " " " " " " (right).....	—
187E	6532	" " " " " " " " " Screw.....	02
*38443	—	" " " " " End Bearing (left).....	—
*38444	—	Looper Carrier Pitman End Bearing (right).....	—
38445	6512	Looper Carrier Pitman Head (left) Nos. 38442, 38443, 42525 and two 187E.....	1 50
38446	6512	Looper Carrier Pitman Head (right) Nos. 38444, 42524, 50016C and two 187E.....	1 50
52621	6512	Looper Carrier Pitman Rod.....	10
1697E	6535	" " " " " Nut (left).....	03
1698E	6535	" " " " " " (right).....	03
46042	6493	" " " " " Rock Shaft with two 175D.....	2 50

NO.	PLATE	NAME	EACH
175D	6493	Looper Carrier Rock Shaft Adjusting Screw.....	\$ 02
38450	6493	Looper Carrier Rock Shaft Crank (forked) with 159E.....	2 00
159E	6493	Looper Carrier Rock Shaft Crank Clamping Screw.....	03
38451	6493	Looper Carrier Rock Shaft Crank Slide Block.....	50
46043	6493	Looper Carrier Rock Shaft Hinge Pin	75
1508E	6493	" " " " " "	
		Nut.....	06
129E	6493	Looper Carrier Rock Shaft Hinge Pin Set Screw.....	04
38452	6493	Looper Eccentric with two 465c.....	1 00
465c	6493	" " Set Screw.....	02
52622	6529	" Needle Guard with 46105.....	40
46105	6499	" " " Pin.....	01
229D	6499	" " " Screw.....	02
1147c	6493	" Set Screw.....	03
46358	6502	" Shaft and Feed Lifting Eccentric	2 50
52553	6494	" " " " " "	
		Bracket.....	50
123E	6494	Looper Shaft and Feed Lifting Eccentric Bracket Screw.....	06
391D	6494	Looper Shaft and Feed Lifting Eccentric Screw.....	02
38393	6493	Looper Thread Guard.....	03
590D	6493	" " " Screw.....	02
38455	6492	Needle Bar (hollow) with 857H.....	1 00
38456	6493	" " Bushing.....	50
1133E	6493	" " " Set Screw.....	02
38458	6494	" " Connecting Link.....	50
38459	6494	" " " " Hinge Stud	30
1520E	6494	" " " " " "	
		Nut.....	03
38460	6494	Needle Bar Connecting Stud with two 391E.....	1 00
391E	6494	Needle Bar Connecting Stud Clamping Screw.....	02
52623	6529	Needle Guard.....	75
190D	6496	" " Screw.....	03
857H	6534	" Set Screw.....	02
17540	6492	Presser Bar.....	30
38464	6494	" " Bushing (lower).....	80
1133E	6493	" " " " Set Screw....	02
38456	6493	" " " (upper).....	50
1133E	6493	" " " " Set Screw....	02

NO.	PLATE	NAME	EACH
17541	6494	Presser Bar Lifter.....	\$ 20
17542	6494	" " " Hinge Pin.....	05
38466	6494	" " Lifting Bracket with 453c and 892c.....	1 00
892c	6494	Presser Bar Lifting Bracket Adjusting Screw.....	05
453c	6494	Presser Bar Lifting Bracket Set Screw....	02
38467	6492	" " Spring (flat).....	50
38468	6494	" " " Stud.....	03
26276	6533	" Foot Hinge Pin.....	01
52624	—	" " Plate.....	1 25
46099	—	" " Shank.....	60
52625	6563	Presser Foot (hinged) complete, Nos. 26276, 46099 and 52624.....	1 85
190D	6496	Presser Foot Screw.....	03
574D	6536	Pressure Regulating Thumb Screw.....	15
1539D	6535	" " " " L o e k Nut.....	05
46169	6500	Slack Thread Controller.....	05
193F	6500	" " " Set Screw.....	03
52626	6529	" " Regulator.....	1 50
52569	6529	" " " Bracket with 704c and 1823.....	1 25
704c	6529	Slack Thread Regulator Bracket Clamping Screw.....	04
38474	6496	Slack Thread Regulator Bushing.....	20
1823	6496	" " " Roller and Stud.	18
50062D	6496	" " " Screw.....	07
1620E	6496	" " " " Nut.....	03
2102	6496	Tension (under thread) Disc.....	05
1560c	6496	" " " R e g u l a t i n g Thumb Nut.....	04
916F	6496	Tension (under thread) Screw Stud.....	08
10148	6496	" " " Spring.....	03
17547	6496	" " " Thread Guide....	25
2102	6496	" (upper thread) Disc.....	05
1560c	6496	" " " R e g u l a t i n g Thumb Nut.....	04
916F	6496	Tension (upper thread) Screw Stud.....	08
2103	6496	" " " Spring.....	03
17547	6496	" " " Thread Guide....	25
38225	6497	Thread (under) Eyelet (back).....	10
190D	6497	" " " " Screw.....	03
38284	6497	" " " (front).....	05
46049	6497	" " " Nipper Cam with 465c....	50
465c	6497	" " " " Set Screw....	02
38210	6497	" " " Spring (lower)....	15

NO.	PLATE	NAME	EACH
38211	6497	Thread (under) Nipper Spring (upper) . . .	\$ 25
46247	6497	" " " " " Stop	10
	176D	" " " " Screw . . . . .	03
38475	6497	" " Take-up with 465c . . . . .	1 00
	465c	" " " Set Screw . . . . .	02
38478	6497	" " " Staple with two each 590D and 38481 . . . . .	75
46040	6498	Thread (under) Take-up Staple Bracket with 910c . . . . .	2 00
	690D	6534 Thread (under) Take-up Staple Bracket Screw . . . . .	05
46041	6497	Thread (under) Take-up Staple Spring	05
	190D	6497 " " " " " " Screw . . . . .	03
	910c	6497 Thread (under) Take-up Staple Stop Screw . . . . .	03
38481	6497	Thread (under) Take-up Staple Thread Guard . . . . .	10
	590D	6497 Thread (under) Take-up Staple Thread Guard Screw . . . . .	02
38482	6497	Thread (under) Take-up Stripper . . . . .	60
	207D	6497 " " " " " Screw . . . . .	02
38476	6497	" " " Thread Guard (left) . . . . .	15
	207D	6497 Thread (under) Take-up Thread Guard (left) Screw . . . . .	02
38477	6497	Thread (under) Take-up Thread Guard (right) . . . . .	20
	207D	6497 Thread (under) Take-up Thread Guard (right) Screw . . . . .	02
38483	6496	Thread (upper) Controller . . . . .	40
	206F	6496 " " " Screw . . . . .	02
52627	6529	" " Eyelet . . . . .	25
	190D	6496 " " " Screw . . . . .	03
46312	6500	" " Take-up with 223D . . . . .	80
	223D	6500 " " " Clamping Screw . . . . .	02
52628	6563	Throat Plate with 665D and 52629, for 52612 . . . . .	1 75
52629	6563	Throat Plate Cutting Bar . . . . .	25
	665D	6542 " " " " Screw . . . . .	02
	691F	6534 " " " Screw . . . . .	04

## LIST OF PARTS COMPLETE

FOR

## MACHINE NO. 62-49

FOR TRIMMING AND STITCHING KNIT GOODS AND OTHER FABRICS.  
HAS AUXILIARY FEED MECHANISM AND VERTICAL SHEAR  
TRIMMER (ADJUSTABLE) TO TRIM FROM  $\frac{1}{16}$  TO  $\frac{3}{16}$  INCH  
FROM THE NEEDLE. ONE NEEDLE, ONE LOOPER

NO.	PLATE	NAME	EACH
*52646	—	Arm, upper and lower (solid) with 129D, 965D and 46445 . . . . .	\$22 00
52630	6533	Arm Oil Tube with 49092, for oiling 46221 . . . . .	20
49092	6533	Arm Oil Tube Packing (felt) . . . . .	01
46216	6490	" Rock Shaft . . . . .	1 00
46217	6491	" " " Crank (back) with two 1497c . . . . .	80
	1497c	6491 Arm Rock Shaft Crank (back) Set Screw . . . . .	05
38412	6491	" " " " (front) with 443c . . . . .	1 25
23724	6491	" " " " " Pin . . . . .	01
	443c	6491 " " " " " Set Screw . . . . .	03
46343	6482	" Rotary Shaft . . . . .	3 00
38329	6491	" " " Collar with two 457c . . . . .	25
	457c	6491 " " " " Set Screw . . . . .	02
23872	6490	" " " Flanged Bushing . . . . .	1 00
	159F	6493 " " " " " Screw . . . . .	03
	4784	6533 " " " Oil Pad (felt) . . . . .	01
	144D	6534 " " " " " Screw . . . . .	08
17509	6490	" Side Cover (lower) . . . . .	15
	286D	6535 " " " " Thumb Screw . . . . .	10
52554	6490	" " " (upper) . . . . .	20
	9533	6533 " " " " Pin . . . . .	02
	176D	6494 " " " " " Screw . . . . .	03
23873	6482	Balance Wheel with two 430c . . . . .	80
	430c	6534 " " " Set Screw . . . . .	04
52647	6482	Cloth Plate . . . . .	2 50
	691F	6534 " " " Screw (left) . . . . .	04
	1094F	6534 " " " " (right) . . . . .	03
	52648H	— " " Slide (left) . . . . .	40
	52649H	6486 Cloth Plate Slide (left) complete, Nos. 38419, 52648H and two 725H . . . . .	50
	38419	6500 Cloth Plate Slide (left) Spring . . . . .	05
	725H	6500 " " " " " " Screw . . . . .	02

NO.	PLATE	NAME	EACH
52631H	6487	Cloth Plate Slide (right) with 1602H.....	\$ 40
1602H	6535	" " " " Bushing.....	02
286D	6535	" " " " Thumb Screw...	10
52650	—	Cloth Plate complete, Nos. 286D, 52631H, 52647 and 52649H.....	3 70
46221	6490	Crank Connecting Rod with 46222, 46223 and two each 896E and 1057E.....	2 00
50069C	6535	Crank Connecting Rod Ball Screw Stud	20
1619E	6535	" " " " " "	
		Nut.....	05
*46222	—	Crank Connecting Rod Cap (lower).....	25
896E	6534	" " " " " Screw.	04
*46223	—	" " " " (upper).....	35
1057E	6534	" " " " " Screw	04
46225	6533	" " " " Washer (fibre)....	02
46179	6490	Face Plate.....	50
46111	6533	" " Pin.....	02
286D	6535	" " Thumb Screw.....	10
46332	6498	Feed (back) Bar with 231C.....	2 50
23716	6491	" " " Bushing.....	40
23726	6491	" " " Hinge Pin.....	50
231C	6534	" " " Set Screw.....	03
38426	6491	" " " Slide Block.....	50
38427	6490	" " Connecting Rod with 1057E, 23865 and two 896E.....	1 50
*23865	—	Feed (back) Connecting Rod Cap.....	30
896E	6534	" " " " " Screw..	04
23866	6491	" " " " Hinge Pin (eccentric).....	20
46439	6502	Feed (back) Connecting Rod Hinge Pin Bushings.....	50
178F	6502	Feed (back) Connecting Rod Hinge Pin Bushings Clamping Screw.....	03
1057E	6534	Feed (back) Connecting Rod Hinge Pin Clamping Screw.....	04
52651	6547	Feed (back) Dog.....	1 25
52674	6563	" " " (spiked teeth).....	1 25
172C	6496	" " " Screw.....	04
46441	6501	" (front) Bar with 174D.....	1 00
50109F	6535	" " " Hinge Screw.....	15
46442	6501	" " Connecting Rod with two 174D.....	1 00
174D	6534	Feed (front) Connecting Rod Adjusting Screw.....	02
1131C	6535	Feed (front) Connecting Rod Hinge Screw.....	10

NO.	PLATE	NAME	EACH
174D	6534	Feed (front) Connecting Rod Hinge Screw Clamping Screw.....	\$ 02
52652	6547	Feed (front) Dog.....	1 25
52675	6563	" " " (spiked teeth).....	1 25
1115D	6534	" " " Screw.....	04
46444	6501	" " " Lifting Rock Shaft.....	60
*46445	—	" " " " " Bracket	75
129D	6534	" " " " " " " Screw (back).....	04
965D	6534	Feed (front) Lifting Rock Shaft Bracket Screw (front).....	04
46446	6501	Feed (front) Lifting Rock Shaft Crank (back) forked, with 647D.....	1 50
647D	6534	Feed (front) Lifting Rock Shaft Crank (back) Clamping Screw.....	03
46447	6502	Feed (front) Lifting Rock Shaft Crank (back) Slide Block.....	1 00
46448	6501	Feed (front) Lifting Rock Shaft Crank (front) with two each 178D and 197D...	1 00
197D	6532	Feed (front) Lifting Rock Shaft Crank (front) Adjusting Screw.....	02
178D	6502	Feed (front) Lifting Rock Shaft Crank (front) Clamping Screw.....	03
50110C	6502	Feed (front) Regulating Stud.....	15
1701C	6502	" " " " Nut.....	10
46449	6502	" " " " Sleeve.....	50
*46450	—	" Eccentric.....	2 50
50043C	6502	" " Adjusting Screw.....	01
24691	6502	" " " " Plate.....	35
641D	6502	" " " " " Screw	03
*46451	—	" " Body with two 443C.....	3 50
443C	6491	" " " Set Screw.....	03
196F	6491	" " " Set Screw.....	02
46452	6502	Feed Eccentric and Feed (front) Lifting Eccentric (adjustable) complete, Nos. 196E, 641D, 24691, 46450, 46451 and 50043C.....	6 50
46453	6502	Feed Eccentric Collar with two 454C.....	25
454C	6502	" " " Set Screw.....	02
46454	6501	" Rocking Frame with 178F.....	2 50
38432	6492	" " " Bracket with two 465C.....	50
123D	6494	Feed Rocking Frame Bracket Screw.....	06
38433	6492	" " " Hinge Pin.....	50
465C	6491	" " " " Set Screw	02
52744	6504	Knife (movable) with 52745 and two 1053D.....	60



NO.	PLATE	NAME	EACH
46242	6492	Looper Carrier Pitman Head (right) Nos. 46238, 46240, 50070c and two 171e...	\$1 50
46243	6492	Looper Carrier Pitman Rod	20
1708E	6535	" " " " Nut (left)	03
1709E	6535	" " " " " (right)	03
46244	6533	" " " Washer (fibre)	02
46042	6493	" " Rock Shaft with two 175d	2 50
175D	6493	" " " " Adjusting Screw	02
38450	6493	Looper Carrier Rock Shaft Crank (forked) with 159E	2 00
159E	6493	Looper Carrier Rock Shaft Crank Clamping Screw	03
38451	6493	Looper Carrier Rock Shaft Crank Slide Block	50
46043	6493	Looper Carrier Rock Shaft Hinge Pin	75
1508E	6493	" " " " " " Nut	06
129E	6493	Looper Carrier Rock Shaft Hinge Pin Set Screw	04
38452	6493	Looper Eccentric with two 465c	1 00
46336H	6500	" " Cover	05
335D	6500	" " " Screw	02
465c	6493	" " Set Screw	02
52661	6500	" Needle Guard with 46105	40
46105	6499	" " " Pin	01
229D	6499	" " " Screw	02
1143c	6493	" Set Screw	03
52743	6529	" Shaft and Feed (back) Lifting Eccentric	2 50
52553	6494	Looper Shaft and Feed (back) Lifting Eccentric Bracket	50
123E	6494	Looper Shaft and Feed (back) Lifting Eccentric Bracket Screw	06
391D	6494	Looper Shaft and Feed (back) Lifting Eccentric Screw	02
38393	6493	Looper Thread Guard	03
590D	6493	" " " Screw	02
38455	6492	Needle Bar (hollow) with 857H	1 00
38456	6493	" " Bushing	50
1133F	6493	" " " Set Screw	02
38458	6494	" " Connecting Link	50
38459	6494	" " " " Hinge Stud	30
1520E	6494	" " " " " " Nut	03
38460	6494	Needle Bar Connecting Stud with two 391E	1 00

NO.	PLATE	NAME	EACH
391E	6494	Needle Bar Connecting Stud Clamping Screw	\$ 02
52673	6505	Needle Guard	75
190D	6496	" " Screw	03
857H	6534	" Set Screw	02
17540	6492	Presser Bar	30
46359	6505	" " Bushing (lower)	80
1133E	6493	" " " " Set Screw	02
38456	6493	" " " (upper)	50
1133E	6493	" " " " Set Screw	02
17541	6494	" " Lifter	20
17542	6494	" " " Hinge Pin	05
38466	6494	" " Lifting Bracket with 453c and 892c	1 00
892c	6494	Presser Bar Lifting Bracket Adjusting Screw	05
453c	6494	Presser Bar Lifting Bracket Set Screw	02
38467	6492	" " Spring (flat)	50
38468	6494	" " " Stud	03
15261	6502	" " Stop Collar with 237F	15
237F	6502	" " " " Set Screw	02
18055	6533	" Foot Hinge Pin	01
46360	—	" " Plate	1 00
46361	—	" " Shank	75
46362	6547	Presser Foot (hinged) complete for 52651 and 52652, Nos. 18055, 46360 and 46361	1 75
18055	6533	Presser Foot Hinge Pin	01
52676	—	" " Plate	1 00
46361	—	" " Shank	75
52677	6563	Presser Foot (hinged) complete for 52674 and 52675, Nos. 18055, 46361 and 52676	1 75
190D	6496	Presser Foot Screw	03
574D	6536	Pressure Regulating Thumb Screw	15
1539D	6535	" " " " Lock Nut	05
46169	6500	Slack Thread Controller	05
193F	6500	" " " Set Screw	03
52626	6529	" " Regulator	1 50
52569	6529	" " " Bracket with 704c and 1823	1 25
704c	6529	Slack Thread Regulator Bracket Clamping Screw	04
38474	6496	Slack Thread Regulator Bushing	20
1823	6496	" " " Roller and Stud	18
50062D	6496	" " " Screw	07

NO.	PLATE	NAME	EACH
1620E	6496	Slack Thread Regulator Screw Nut.....	03
2102	6496	Tension (under thread) Disc.....	05
1560c	6496	“ “ “ Regulating Thumb Nut.....	04
916F	6496	Tension (under thread) Screw Stud.....	08
10148	6496	“ “ “ Spring.....	03
17547	6496	“ “ “ Thread Guide.....	25
2102	6496	“ (upper thread) Disc.....	05
1560c	6496	“ “ “ Regulating Thumb Nut.....	04
916F	6496	Tension (upper thread) Screw Stud.....	08
2103	6496	“ “ “ Spring.....	03
17547	6496	“ “ “ Thread Guide.....	25
38225	6497	Thread (under) Eyelet (back).....	10
190D	6497	“ “ “ “ Screw.....	03
38284	6497	“ “ “ (front).....	05
46049	6497	“ “ “ Nipper Cam with 465c... ..	50
465c	6497	“ “ “ “ Set Screw....	02
38210	6497	“ “ “ Spring (lower)....	15
38211	6497	“ “ “ “ (upper)....	25
46247	6497	“ “ “ “ “ Stop	10
176D	6497	“ “ “ “ “ Screw....	03
38475	6497	“ “ “ Take-up with 465c.....	1 00
465c	6497	“ “ “ “ Set Screw.....	02
38478	6497	“ “ “ “ Staple with two each 590D and 38481.....	75
46040	6498	Thread (under) Take-up Staple Bracket with 910c.....	2 00
690D	6534	Thread (under) Take-up Staple Bracket Screw.....	05
46041	6497	Thread (under) Take-up Staple Spring	05
190D	6497	“ “ “ “ “ “ Screw.....	03
910c	6497	Thread (under) Take-up Staple Stop Screw.....	03
38481	6497	Thread (under) Take-up Staple Thread Guard.....	10
590D	6497	Thread (under) Take-up Staple Thread Guard Screw.....	02
38482	6497	Thread (under) Take-up Stripper.....	60
207D	6497	“ “ “ “ “ Screw....	02
38476	6497	“ “ “ “ Thread Guard (left).....	15
207D	6497	Thread (under) Take-up Thread Guard (left) Screw.....	02
38477	6497	Thread (under) Take-up Thread Guard (right).....	20

NO.	PLATE	NAME	EACH
207D	6497	Thread (under) Take-up Thread Guard (right) Screw.....	\$ 02
38483	6496	Thread (upper) Controller.....	40
206F	6496	“ “ “ “ Screw.....	02
52627	6529	“ “ “ Eyelet.....	25
190D	6496	“ “ “ “ Screw.....	03
46312	6500	“ “ “ Take-up with 223D.....	80
223D	6500	“ “ “ “ Clamping Screw.....	02
52662	6547	Throat Plate for 52651 and 52652.....	1 50
52678	6563	“ “ “ 52674 and 52675.....	1 50
691F	6534	“ “ “ “ Screw.....	04

**LIST OF PARTS COMPLETE  
FOR  
MACHINE NO. 62-50**

**FOR VAMPING AND FOXING SHOES. TWO NEEDLES, ONE LOOPER;  
GAUGES  $\frac{1}{32}$  TO  $\frac{1}{16}$  INCH; ROLLER PRESSER.**

NO.	PLATE	NAME	EACH
*52740	---	Arm, upper and lower (solid) with 381D and 46384.....	\$20 00
52630	6533	Arm Oil Tube with 49092, for oiling 46221.....	20
49092	6533	Arm Oil Tube Packing (felt).....	01
46371	6512	“ Rock Shaft.....	1 00
46217	6491	“ “ “ Crank (back) with two 1497c.....	80
1497c	6491	Arm Rock Shaft Crank (back) Set Screw.....	05
38412	6491	“ “ “ “ (front) with 443c.....	1 25
23724	6491	“ “ “ “ “ Pin.....	01
443c	6491	“ “ “ “ “ Set Screw.....	03
46218	6482	“ Rotary Shaft.....	3 00
38329	6491	“ “ “ “ Collar with two 457c... ..	25
457c	6491	“ “ “ “ “ Set Screw.....	02
23872	6490	“ “ “ “ Flanged Bushing.....	1 00
159F	6493	“ “ “ “ “ “ Screw	03
4784	6533	“ “ “ “ Oil Pad (felt).....	01
144D	6534	“ “ “ “ “ Screw.....	08
17509	6490	“ Side Cover (lower).....	15
286D	6535	“ “ “ “ “ Thumb Screw....	10
52554	6490	“ “ “ “ (upper).....	20



NO.	PLATE	NAME	EACH
9533	6533	Arm Side Cover (upper) Pin.....	\$ 02
176D	6494	“ “ “ “ Screw.....	03
46220	6482	Balance Wheel, 3 in. pulley, with two 430c.....	80
430c	6534	Balance Wheel Set Screw.....	04
38414	6483	Cloth Plate.....	2 50
691F	6534	“ “ Screw (left).....	04
1094F	6534	“ “ “ (right).....	03
38415	—	“ “ Slide (large) with 1602H.....	60
38417	6486	Cloth Plate Slide (large) complete, Nos. 38415, two 38416 and four 725H.....	75
1602H	6535	Cloth Plate Slide (large) Bushing.....	02
38416	6500	“ “ “ “ Spring.....	05
725H	6500	“ “ “ “ “ Screw.....	02
38418	—	“ “ “ (small).....	30
38420	6486	Cloth Plate Slide (small) complete, Nos. 38418, 38419 and two 725H.....	40
38419	6500	Cloth Plate Slide (small) Spring.....	05
725H	6500	“ “ “ “ “ Screw.....	02
38421	—	Cloth Plate complete, Nos. 38414, 38417 and 38420.....	3 65
46221	6490	Crank Connecting Rod with 46222, 46223 and two each 896E and 1057E.....	2 00
50069c	6535	Crank Connecting Rod Ball Screw Stud	20
1619E	6535	“ “ “ “ “ “ “	05
*46222	—	Nut.....	05
896E	6534	Crank Connecting Rod Cap (lower).....	25
*46223	—	“ “ “ “ “ “ Screw.....	04
1057E	6534	“ “ “ “ “ “ “ (upper).....	35
46225	6533	“ “ “ “ “ “ Screw.....	04
46225	6533	“ “ “ “ Washer (fibre).....	02
46372	6514	Face Plate.....	50
46111	6533	“ “ Pin.....	02
286D	6535	“ “ Thumb Screw.....	10
38425	6490	Feed Bar with 231c and 460c.....	2 50
23716	6491	“ “ Bushing.....	40
23726	6491	“ “ Hinge Pin.....	50
231c	6534	“ “ Set Screw.....	03
38426	6491	“ “ Slide Block.....	50
38427	6490	“ Connecting Rod with 1057E, 23865 and two 896E.....	1 50
*23865	—	Feed Connecting Rod Cap.....	30
896E	6534	“ “ “ “ “ “ Screw.....	04
23866	6491	“ “ “ “ Hinge Pin (eccen- tric).....	20
1057E	6534	Feed Connecting Rod Hinge Pin Clamp- ing Screw.....	04

NO.	PLATE	NAME	EACH
46065	6551	Feed Dog.....	\$1 00
157D	6534	“ “ Screw.....	04
460c	6534	“ “ Stop Screw.....	02
*38127	—	“ Eccentric.....	2 50
*23729	—	“ “ Body.....	2 50
443c	6491	“ “ “ Set Screw.....	03
21331	6491	“ “ Pressure Spring.....	03
21332	6491	“ “ “ “ Cap.....	10
934D	6491	“ “ “ “ “ Screw.....	02
196F	6491	“ “ Set Screw.....	02
38128	6491	Feed Eccentric (adjustable) complete, Nos. 196F, 934D, 1103c, 21331, 21332, 23729, 38127 and two 443c.....	5 00
38429	6491	Feed Lifting Eccentric with two 465c....	1 00
46113	6500	“ “ “ “ Cover.....	10
335D	6500	“ “ “ “ “ Screw.....	02
465c	6491	“ “ “ “ Set Screw.....	02
1103c	6491	“ Regulating Screw.....	15
38431	6492	“ Rocking Frame.....	1 25
38432	6492	“ “ “ “ Bracket with two 465c.....	50
123E	6491	Feed Rocking Frame Bracket Screw.....	06
38433	6492	“ “ “ “ Hinge Pin.....	50
465c	6491	“ “ “ “ “ “ Set Screw.....	02
46066	6499	Looper with 590D and 38393.....	2 25
46226	6490	“ Bell Crank with 1037c.....	50
38436	6490	“ “ “ “ Hinge Stud.....	1 00
443c	6491	“ “ “ “ “ “ Set Screw.....	03
46227	6492	Looper Bell Crank Pitman complete, Nos. 1706E, 1713E and 46233 to 46235.....	3 25
50070c	6535	Looper Bell Crank Pitman Ball Screw Stud (upper).....	15
1636E	6535	Looper Bell Crank Pitman Ball Screw Stud (upper) Nut.....	03
46228	6493	Looper Bell Crank Pitman Ball Stud (lower).....	30
1037c	6493	Looper Bell Crank Pitman Ball Stud (lower) Set Screw.....	04
*46229	—	Looper Bell Crank Pitman Cap (lower) “ “ “ “ “ “ “	—
171E	6534	Screw.....	03
*46230	—	Looper Bell Crank Pitman Cap (upper) “ “ “ “ “ “ “	—
171E	6534	Screw.....	03
*46231	—	Looper Bell Crank Pitman End Bearing (lower).....	—

NO.	PLATE	NAME	EACH
*46232	—	Looper Bell Crank Pitman End Bearing (upper)	\$ —
46233	6492	Looper Bell Crank Pitman Head (lower) Nos. 46228, 46229, 46231 and two 171E.	1 50
46234	6492	Looper Bell Crank Pitman Head (upper) Nos. 46230, 46232, 50070c and two 171E.	1 50
46235	6492	Looper Bell Crank Pitman Rod.	20
1706E	6535	“ “ “ “ Nut (lower)	03
1713E	6535	Looper Bell Crank Pitman Rod Nut (upper)	03
38439	6493	Looper Carrier with 1143c and two 1147c	1 50
38440	6493	“ “ Hinge Pin	20
1147c	6493	“ “ “ “ Set Screw	03
46236	6492	Looper Carrier Pitman complete, Nos. 1708E, 1709E and 46241 to 46243.	3 25
50070c	6535	Looper Carrier Pitman Ball Screw Stud (right)	15
1636E	6535	Looper Carrier Pitman Ball Screw Stud (right) Nut	03
46237	6493	Looper Carrier Pitman Ball Stud (left)	25
1147c	6493	“ “ “ “ “ “ Set Screw	03
*46238	—	Looper Carrier Pitman Cap (left)	—
171E	6534	“ “ “ “ “ Screw	03
*46238	—	“ “ “ “ (right)	—
171E	6534	“ “ “ “ “ Screw	03
*46239	—	“ “ “ End Bearing (left)	—
*46240	—	Looper Carrier Pitman End Bearing (right)	—
46241	6492	Looper Carrier Pitman Head (left) Nos. 46237 to 46239 and two 171E.	1 50
46242	6492	Looper Carrier Pitman Head (right) Nos. 46238, 46240, 50070c and two 171E.	1 50
46243	6492	Looper Carrier Pitman Rod	20
1708E	6535	“ “ “ “ Nut (left)	03
1709E	6535	“ “ “ “ “ (right)	03
46244	6533	“ “ “ Washer (fibre)	02
46042	6493	“ “ Rock Shaft with two 175D	2 50
175D	6493	“ “ “ “ Adjusting Screw	02
38450	6493	Looper Carrier Rock Shaft Crank (forked) with 159E.	2 00
159E	6493	Looper Carrier Rock Shaft Crank Clamping Screw	03

NO.	PLATE	NAME	EACH
38451	6493	Looper Carrier Rock Shaft Crank Slide Block	\$ 50
46043	6493	Looper Carrier Rock Shaft Hinge Pin	75
1508E	6193	“ “ “ “ “ “ Nut	06
129E	6493	Looper Carrier Rock Shaft Hinge Pin Set Screw	04
38452	6493	Looper Eccentric with two 465c	1 00
465c	6493	“ “ Set Screw	02
1143c	6493	“ Set Screw	03
38453	6494	“ Shaft	50
52553	6494	“ “ Bracket	50
123E	6194	“ “ “ Screw	06
391D	6194	“ “ Screw	02
38393	6193	“ Thread Guard	03
590D	6493	“ “ Screw	02
46067	6508	Needle Bar (hollow)	60
46165	—	Needle Bar complete, Nos. 2273, 46067, 46070 and 46166	1 50
38456	6493	Needle Bar Bushing	50
1133E	6193	“ “ “ Set Screw	02
46205	6511	“ “ Connecting Link	40
38459	6194	“ “ “ “ Hinge Stud	30
1520E	6494	“ “ “ “ “ “ Nut	03
46206	6511	Needle Bar Connecting Stud with two 391E	1 50
391E	6494	Needle Bar Connecting Stud Clamping Screw	02
46378	6522	Needle Bar Stop Collar with 237E	15
46379	6522	“ “ “ “ “ Connection	15
665D	6522	“ “ “ “ “ Screw	02
237F	6522	“ “ “ “ “ Set Screw	02
46166	6506	“ Clamp with 462E	75
46070	6506	“ “ Gib	15
2273	6506	“ “ Pin	01
462F	6506	“ “ Screw	02
46050	6194	“ Guard	75
190D	6196	“ “ Screw	03
46380	6532	Oil Cup	1 35
1284D	6532	“ “ Oil Regulating Screw	08
38100	6532	“ “ Packing (felt)	01
46381	6532	Oil Cup complete, Nos. 1284D, 38100 and 46380	1 50
190D	6532	Oil Cup Screw	03
46072	6498	Presser Bar	30
46073	6493	“ “ Bushing (lower)	80

NO.	PLATE	NAME	EACH
1133E	6493	Presser Bar Bushing (lower) Set Screw...	\$ 02
38456	6493	" " " (upper).....	50
1133E	6493	" " " " Set Screw....	02
17541	6494	" " Lifter.....	20
17542	6494	" " " Hinge Pin.....	05
38466	6494	" " Lifting Bracket with 453c and 892c.....	1 00
892c	6494	Presser Bar Lifting Bracket Adjusting Screw.....	05
453c	6494	Presser Bar Lifting Bracket Set Screw....	02
38467	6492	" " Spring (flat).....	50
38468	6494	" " " Stud.....	03
15261	6502	" " Stop Collar with 237F.....	15
237F	6502	" " " " Set Screw.....	02
574D	6536	Pressure Regulating Thumb Screw.....	15
1539D	6535	" " " " Lock Nut.....	05
1868	6541	Roller, $\frac{7}{8}$ in. diam., coarse, with 652D and 1528D, for 52670.....	25
1923	6541	Roller, $1\frac{1}{4}$ in. diam., coarse, with 652D and 1528D, for 52671.....	40
38285	6541	Roller Arm for 52670.....	15
38219	6541	" " " 52671.....	15
440F	6541	" " Adjusting Screw.....	03
1547D	6541	" " " " Nut.....	03
38302	6541	" " Bracket.....	20
7556	6541	" " Lock Spring.....	05
176D	6541	" " " " Screw.....	03
1549D	6541	" " " " " Nut.....	03
316F	6541	" " Screw Centre.....	03
1547D	6541	" " " " Nut.....	03
52669	6530	" Needle Guard.....	45
171F	6541	" " " Set Screw.....	03
652D	6541	" Screw.....	08
1528D	6541	" " Nut.....	03
52670	6530	Roller Presser complete, $\frac{7}{8}$ in. coarse roller, Nos. 171F, 176D, 440F, 1549D, 1868, 7556, 38285, 38302, 52669, two 316F and three 1547D.....	1 35
52671	6530	Roller Presser complete, $1\frac{1}{4}$ in. coarse roller, Nos. 171F, 176D, 440F, 1549D, 1923, 7556, 38219, 38302, 52669, two 316F and three 1547D.....	1 50
190D	6496	Roller Presser Screw.....	03
46207	6513	Slack Thread Controller.....	20
46035	6496	" " " Clamp.....	10
190D	6496	" " " " Screw....	03

NO.	PLATE	NAME	EACH
2102	6496	Tension (under thread) Disc.....	\$ 05
1560C	6496	" " " Regulating Thumb Nut.....	04
916F	6496	Tension (under thread) Screw Stud.....	08
10148	6496	" " " Spring.....	03
17547	6496	" " " Thread Guide....	25
2102	6496	" (upper thread) Disc.....	05
1560C	6496	" " " Regulating Thumb Nut.....	04
916F	6496	Tension (upper thread) Screw Stud.....	08
2103	6496	" " " Spring.....	03
17547	6496	" " " Thread Guide....	25
50105C	6524	" (upper thread, automatic) Body	25
46382	6524	" " " " " "	
		Releasing Pin.....	03
46383	6524	Tension (upper thread, automatic) Cam with two 1253C.....	1 25
1253C	6524	Tension (upper thread, automatic) Cam Set Screw.....	03
2102	6524	Tension (upper thread, automatic) Disc..	05
46384	6524	" " " " Plate	30
381D	6534	" " " " " "	
		Screw.....	06
1560C	6524	Tension (upper thread, automatic) Regu- lating Thumb Nut.....	04
32572	6524	Tension (upper thread, automatic) Re- leasing Disc.....	05
50106F	6524	Tension (upper thread, automatic) Screw Stud.....	10
46385	6524	Tension (upper thread, automatic) Screw Stud Releasing Pin.....	01
46386	6524	Tension (upper thread, automatic) Sep- arating Disc.....	10
46387	6524	Tension (upper thread, automatic) Spring	03
46388	6524	" " " " Thread Guide (double).....	35
38225	6497	Thread (under) Eyelet (back).....	10
190D	6497	" " " " Screw.....	03
38284	6497	" " " (front).....	05
46049	6497	" " Nipper Cam with 465C...	50
465C	6497	" " " Set Screw....	02
38210	6497	" " " Spring (lower)....	15
38211	6497	" " " " (upper)....	25
46247	6497	" " " " " Stop	10
176D	6497	" " " " Screw.....	03
46389	6522	" " Take-up with 465C.....	1 00
465C	6497	" " " Set Screw.....	02

NO.	PLATE	NAME	EACH
38478	6497	Thread (under) Take-up Staple with two each 590D and 38481.....	\$ 75
46040	6498	Thread (under) Take-up Staple Bracket with 910c.....	2 00
690D	6534	Thread (under) Take-up Staple Bracket Screw.....	05
46041	6497	Thread (under) Take-up Staple Spring	05
190D	6497	" " " " " Screw.....	03
910c	6497	Thread (under) Take-up Staple Stop Screw.....	03
38481	6497	Thread (under) Take-up Staple Thread Guard.....	10
590D	6497	Thread (under) Take-up Staple Thread Guard Screw.....	02
46391	6522	Thread (under) Take-up Stripper.....	60
207D	6497	" " " " " Screw..	02
38476	6497	" " " " Thread Guard (left).....	15
207D	6497	Thread (under) Take-up Thread Guard (left) Screw.....	02
38477	6497	Thread (under) Take-up Thread Guard (right).....	20
207D	6497	Thread (under) Take-up Thread Guard (right) Screw.....	02
46392	6524	Thread (upper) Controller.....	1 25
50107F	6524	" " " " Hinge Screw..	08
1620D	6524	" " " " " Nut	03
1964	6524	" " " " Roller.....	20
46393	6524	" " " " " Bracket with 453c and 1964.....	1 00
453c	6524	Thread (upper) Controller Roller Bracket Set Screw.....	02
52672	6527	Thread (upper) Take-up.....	80
228D	6513	" " " " " Screw.....	02
46074	6551	Throat Plate with 665D and 46075, for 46065.....	1 50
691F	6534	Throat Plate Screw.....	04
46075	6542	" " " " Thread Retainer.....	10
665D	6542	" " " " " Screw.....	02

## LIST OF PARTS COMPLETE

FOR

## MACHINE NO. 62-51

FOR ORNAMMENTING THE BACKS OF GLOVES WITH A BRAID STITCH.  
ONE NEEDLE, ONE LOOPER.

NO.	PLATE	NAME	EACH
*52746	—	Arm, upper and lower (solid).....	\$20 00
52630	6533	" Oil Tube with 49092, for oiling 46221.....	20
49092	6533	Arm Oil Tube Packing (felt).....	01
46216	6490	" Rock Shaft.....	1 00
46217	6491	" " " Crank (back) with two 1497c.....	80
1497c	6491	Arm Rock Shaft Crank (back) Set Screw..	05
38412	6491	" " " " (front) with 443c..	1 25
23724	6491	" " " " " Pin.....	01
443c	6491	" " " " " Set Screw..	03
46218	6482	" Rotary Shaft.....	3 00
38329	6491	" " " " Collar with two 457c..	25
457c	6491	" " " " " Set Screw.....	02
23872	6490	" " " " Flanged Bushing.....	1 00
159F	6493	" " " " " Screw	03
4784	6533	" " " " Oil Pad (felt).....	01
144D	6534	" " " " " Screw.....	08
17509	6490	" Side Cover (lower).....	15
286D	6535	" " " " " Thumb Screw..	10
52554	6490	" " " " (upper).....	20
9533	6533	" " " " " Pin.....	02
176D	6494	" " " " " Screw.....	03
23873	6482	Balance Wheel with two 430c.....	80
430c	6534	" " " " " Set Screw.....	04
38414	6483	Cloth Plate.....	2 50
691F	6534	" " " " " Screw (left).....	04
1094F	6534	" " " " " (right).....	03
38415	—	" " " " Slide (large) with 1602H.....	60
38417	6486	Cloth Plate Slide (large) complete, Nos. 38415, two 38416 and four 725H.....	75
1602H	6535	Cloth Plate Slide (large) Bushing.....	02
38416	6500	" " " " " Spring.....	05
725H	6500	" " " " " " Screw.....	02
38418	—	" " " " (small).....	30



NO.	PLATE	NAME	EACH
50070c	6535	Looper Carrier Pitman Ball Screw Stud (right).....	\$ 15
1636E	6535	Looper Carrier Pitman Ball Screw Stud (right) Nut.....	03
46237	6493	Looper Carrier Pitman Ball Stud (left)	25
1147c	6493	“ “ “ “ “ “ “ “ Set Screw.....	03
*46238	—	Looper Carrier Pitman Cap (left).....	—
171E	6534	“ “ “ “ “ “ Screw..	03
*46238	—	“ “ “ “ “ “ (right).....	—
171E	6534	“ “ “ “ “ “ Screw.	03
*46239	—	“ “ “ “ “ “ End Bearing (left).....	—
*46240	—	Looper Carrier Pitman End Bearing (right).....	—
46241	6492	Looper Carrier Pitman Head (left) Nos. 46237 to 46239 and two 171E.....	1 50
46242	6492	Looper Carrier Pitman Head (right) Nos. 46238, 46240, 50070c and two 171E....	1 50
46243	6492	Looper Carrier Pitman Rod.....	20
1708E	6535	“ “ “ “ “ “ Nut (left)...	03
1709E	6535	“ “ “ “ “ “ (right)...	03
46244	6533	“ “ “ “ “ “ Washer (fibre)...	02
46042	6493	“ “ “ “ “ “ Rock Shaft with two 175D	2 50
175D	6493	“ “ “ “ “ “ Adjusting Screw.....	02
38450	6493	Looper Carrier Rock Shaft Crank (forked) with 159E.....	2 00
159E	6493	Looper Carrier Rock Shaft Crank Clamping Screw.....	03
38451	6493	Looper Carrier Rock Shaft Crank Slide Block.....	50
46043	6493	Looper Carrier Rock Shaft Hinge Pin	75
1508E	6493	“ “ “ “ “ “ “ “ Nut.....	06
129E	6493	Looper Carrier Rock Shaft Hinge Pin Set Screw.....	04
38452	6493	Looper Eccentric with two 465c.....	1 00
465c	6493	“ “ “ “ “ “ Set Screw.....	02
1143c	6493	“ “ “ “ “ “ Set Screw.....	03
38453	6494	“ “ “ “ “ “ Shaft.....	50
52553	6494	“ “ “ “ “ “ Bracket.....	50
123E	6494	“ “ “ “ “ “ Screw.....	06
391D	6494	“ “ “ “ “ “ Screw.....	02
38393	6493	“ “ “ “ “ “ Thread Guard.....	03
590D	6493	“ “ “ “ “ “ Screw.....	02
38455	6492	Needle Bar (hollow) with 857H.....	1 00

NO.	PLATE	NAME	EACH
38456	6493	Needle Bar Bushing.....	\$ 50
1133E	6493	“ “ “ “ “ “ Set Screw.....	02
38458	6494	“ “ “ “ “ “ Connecting Link.....	50
38459	6494	“ “ “ “ “ “ “ “ Hinge Stud	30
1520E	6494	“ “ “ “ “ “ “ “ Nut.....	03
38460	6494	Needle Bar Connecting Stud with two 391E.....	1 00
391E	6494	Needle Bar Connecting Stud Clamping Screw.....	02
46050	6494	Needle Guard.....	75
190D	6496	“ “ “ “ “ “ Screw.....	03
857H	6534	“ “ “ “ “ “ Set Screw.....	02
17540	6492	Presser Bar.....	30
38464	6494	“ “ “ “ “ “ Bushing (lower).....	80
1133E	6493	“ “ “ “ “ “ “ “ Set Screw...	02
38456	6493	“ “ “ “ “ “ (upper).....	50
1133E	6493	“ “ “ “ “ “ “ “ Set Screw...	02
17541	6494	“ “ “ “ “ “ Lifter.....	20
17542	6494	“ “ “ “ “ “ Hinge Pin.....	05
38466	6494	“ “ “ “ “ “ Lifting Bracket with 453c and 892c.....	1 00
892c	6494	Presser Bar Lifting Bracket Adjusting Screw.....	05
453c	6494	Presser Bar Lifting Bracket Set Screw...	02
38467	6492	“ “ “ “ “ “ Spring (flat).....	50
38468	6494	“ “ “ “ “ “ Stud.....	03
52747	6518	“ “ “ “ “ “ Foot.....	1 00
190D	6496	“ “ “ “ “ “ Screw.....	03
574D	6536	Pressure Regulating Thumb Screw.....	15
1539D	6535	“ “ “ “ “ “ “ “ Lock Nut.....	05
46169	6500	Slack Thread Controller.....	05
193F	6500	“ “ “ “ “ “ “ “ Set Screw.....	03
2102	6496	Tension (under thread) Disc.....	05
1560c	6496	“ “ “ “ “ “ “ “ Regulating Thumb Nut.....	04
916F	6496	Tension (under thread) Screw Stud.....	08
10148	6496	“ “ “ “ “ “ Spring.....	03
17547	6496	“ “ “ “ “ “ Thread Guide....	25
2102	6496	“ “ “ “ “ “ (upper thread) Disc.....	05
1560c	6496	“ “ “ “ “ “ “ “ Regulating Thumb Nut.....	04
916F	6496	Tension (upper thread) Screw Stud.....	08
2103	6496	“ “ “ “ “ “ Spring.....	03
17547	6496	“ “ “ “ “ “ Thread Guide....	25
38225	6497	Thread (under) Eyelet (back).....	10

NO.	PLATE	NAME	EACH
190D	6497	Thread (under) Eyelet (back) Screw	\$ 03
38284	6497	" " " (front)	05
46049	6497	" " Nipper Cam with 465c	50
465c	6497	" " " " Set Screw	02
38210	6497	" " " Spring (lower)	15
38211	6497	" " " " (upper)	25
46247	6497	" " " " Stop	10
176D	6497	" " " " Screw	03
38475	6497	" " Take-up with 465c	1 00
465c	6497	" " " " Set Screw	02
38478	6497	" " " " Staple with two each 590D and 38481	75
46040	6498	Thread (under) Take-up Staple Bracket with 910c	2 00
690D	6534	Thread (under) Take-up Staple Bracket Screw	05
46041	6497	Thread (under) Take-up Staple Spring	05
190D	6497	" " " " " "	
		Screw	03
910c	6497	Thread (under) Take-up Staple Stop Screw	03
38481	6497	Thread (under) Take-up Staple Thread Guard	10
590D	6497	Thread (under) Take-up Staple Thread Guard Screw	02
38482	6497	Thread (under) Take-up Stripper	60
207D	6497	" " " " Screw	02
38476	6497	" " " " Thread Guard (left)	15
207D	6497	Thread (under) Take-up Thread Guard (left) Screw	02
38477	6497	Thread (under) Take-up Thread Guard (right)	20
207D	6497	Thread (under) Take-up Thread Guard (right) Screw	02
38483	6496	Thread (upper) Controller	40
206F	6496	" " " " Screw	02
38484	6496	" " Eyelet	25
190D	6496	" " " " Screw	03
46312	6500	" " Take-up with 223D	80
223D	6500	" " " " Clamping Screw	02
52785	6567	Throat Plate with 665D and 46075, for 38428	3 25
691F	6534	Throat Plate Screw	04
46075	6542	" " Thread Retainer	10
665D	6542	" " " " Screw	02

## LIST OF PARTS COMPLETE

FOR

## MACHINE NO. 62-53

FOR TWO LINE STITCHING IN FABRICS. HAS CLOTH PLATE SPECIALLY  
FITTED FOR LAP SEAM FELLER. TWO NEEDLES, TWO LOOPERS;  
GAUGES FROM  $\frac{1}{32}$  IN. TO  $\frac{9}{16}$  IN.

NO.	PLATE	NAME	EACH
*52736	—	Arm, upper and lower (solid)	\$20 00
52630	6533	" Oil Tube with 49092, for oiling 46221	20
49092	6533	Arm Oil Tube Packing (felt)	01
46216	6490	" Rock Shaft	1 00
46217	6491	" " " Crank (back) with two 1497c	80
1497c	6491	Arm Rock Shaft Crank (back) Set Screw	05
38412	6491	" " " " (front) with 443c	1 25
23724	6491	" " " " " Pin	01
443c	6491	" " " " " Set Screw	03
46218	6482	" Rotary Shaft	3 00
38329	6491	" " " Collar with two 457c	25
457c	6491	" " " " Set Screw	02
23872	6490	" " " Flanged Bushing	1 00
159E	6493	" " " " " Screw	03
4784	6533	" " " Oil Pad (felt)	01
144D	6534	" " " Screw	08
17509	6490	" Side Cover (lower)	15
286D	6535	" " " " Thumb Screw	10
52554	6490	" " " (upper)	20
9533	6533	" " " " Pin	02
176D	6494	" " " " " Screw	03
23873	6482	Balance Wheel with two 430c	80
430c	6534	" " " " Set Screw	04
46078	6484	Cloth Plate	2 50
691F	6534	" " " " Screw (left)	04
1094F	6534	" " " " (right)	03
46461	—	" " Slide (left)	30
46462	6486	Cloth Plate Slide (left) complete, Nos. 38419, 46461 and two 725H	40
38419	6500	Cloth Plate Slide (left) Spring	05
725H	6500	" " " " " " Screw	02
38105H	6486	" " " " (right) with 1602H	30
1602H	6535	" " " " " Bushing	02
286D	6535	" " " " " Thumb Screw	10





NO.	PLATE	NAME	EACH
1706E	6535	Looper Bell Crank Pitman Rod Nut (lower).....	\$ 03
1713E	6535	Looper Bell Crank Pitman Rod Nut (upper).....	03
52779	6585	Looper Carrier (adjustable) complete, for $\frac{1}{2}$ in. to $\frac{9}{16}$ in. gauge, Nos. 193E, 52775 and 52778.....	3 25
38440	6493	Looper Carrier Hinge Pin.....	20
1147C	6493	" " " " Set Screw.....	03
46236	6492	Looper Carrier Pitman complete, Nos. 1708E, 1709E and 46241 to 46243.....	3 25
50070C	6535	Looper Carrier Pitman Ball Screw Stud (right).....	15
1636E	6535	Looper Carrier Pitman Ball Screw Stud (right) Nut.....	03
46237	6493	Looper Carrier Pitman Ball Stud (left).....	25
1147C	6493	" " " " " " " " Set Screw.....	03
*46238	—	Looper Carrier Pitman Cap (left).....	—
171E	6534	" " " " " " Screw.....	03
*46238	—	" " " " (right).....	—
171E	6534	" " " " " " Screw.....	03
*46239	—	" " " " End Bearing (left).....	—
*46240	—	Looper Carrier Pitman End Bearing (right).....	—
46241	6492	Looper Carrier Pitman Head (left) Nos. 46237 to 46239 and two 171E.....	1 50
46242	6492	Looper Carrier Pitman Head (right) Nos. 46238, 46240, 50070C and two 171E.....	1 50
46243	6492	Looper Carrier Pitman Rod.....	20
1708E	6535	" " " " Nut (left).....	03
1709E	6535	" " " " " (right).....	03
46244	6533	" " " " Washer (fibre).....	02
46042	6493	" " " " Rock Shaft with two 175D.....	2 50
175D	6493	" " " " " " " " Adjusting Screw.....	02
38450	6493	Looper Carrier Rock Shaft Crank (forked) with 159E.....	2 00
159E	6493	Looper Carrier Rock Shaft Crank Clamping Screw.....	03
38451	6493	Looper Carrier Rock Shaft Crank Slide Block.....	50
46043	6493	Looper Carrier Rock Shaft Hinge Pin.....	75
1508E	6493	" " " " " " " " Nut.....	06

NO.	PLATE	NAME	EACH
129E	6493	Looper Carrier Rock Shaft Hinge Pin Set Screw.....	\$ 04
38452	6493	Looper Eccentric with two 465C.....	1 00
465C	6493	" " " " Set Screw.....	02
38453	6494	" " Shaft.....	50
52553	6494	" " " Bracket.....	50
123E	6494	" " " " Screw.....	06
391E	6494	" " " " " Screw.....	02
46051	6508	Needle Bar.....	60
46052	—	Needle Bar complete, Nos. 46051 and 46053.....	1 20
38456	6493	Needle Bar Bushing.....	50
1133E	6493	" " " " Set Screw.....	02
38458	6494	" " " " Connecting Link.....	50
38459	6494	" " " " " " Hinge Stud.....	30
1520E	6494	" " " " " " " " Nut.....	03
38460	6494	Needle Bar Connecting Stud with two 391E.....	1 00
391E	6494	Needle Bar Connecting Stud Clamping Screw.....	02
46053	6510	Needle Clamp with 46054 and two 1072E.....	60
46054	6510	" " " " Thread Guide (two pieces).....	03
52819	6586	" " " " Guard (back).....	75
190D	6496	" " " " " " Screw.....	03
52820	6586	" " " " (front) for $\frac{1}{2}$ in. to $\frac{5}{8}$ in. gauge.....	75
52821	6586	Needle Guard (front) for $\frac{3}{16}$ in. to $\frac{1}{4}$ in. gauge.....	75
52822	6586	Needle Guard (front) for $\frac{9}{32}$ in. to $\frac{3}{8}$ in. gauge.....	75
52823	6586	Needle Guard (front) for $\frac{13}{32}$ in. to $\frac{1}{2}$ in. gauge.....	75
52824	6586	Needle Guard (front) for $\frac{1}{2}$ in. to $\frac{9}{16}$ in. gauge.....	75
206D	6534	Needle Guard (front) Screw.....	02
1072E	6534	" " Set Screw.....	02
17510	6492	Presser Bar.....	30
38464	6494	" " " " Bushing (lower).....	80
1133E	6493	" " " " " " Set Screw.....	02
38456	6493	" " " " " (upper).....	50
1133E	6493	" " " " " " Set Screw.....	02
17541	6494	" " " " Lifter.....	20
17542	6494	" " " " " Hinge Pin.....	05
38466	6494	" " " " Lifting Bracket with 453C and 892C.....	1 00

NO.	PLATE	NAME	EACH
892c	6494	Presser Bar Lifting Bracket Adjusting Screw.....	\$ 05
453c	6494	Presser Bar Lifting Bracket Set Screw.....	02
38467	6492	" " Spring (flat).....	50
38468	6494	" " Stud.....	03
26276	6533	" Foot Hinge Pin.....	01
46086	—	" " Plate.....	1 25
46087	—	" " Shank.....	75
46088	6568	Presser Foot (hinged) complete, for general work, Nos. 26276, 46086 and 46087.....	2 00
190d	6496	Presser Foot Screw.....	03
574d	6536	Pressure Regulating Thumb Screw.....	15
1539d	6535	" " " " Lock Nut.....	05
46034	6496	Slack Thread Controller.....	05
46035	6496	" " " Clamp.....	10
190d	6496	" " " " Screw.....	03
46007	6510	" " Regulator.....	1 25
38473	6496	" " " Bracket with 172c and 1823.....	1 25
172c	6496	Slack Thread Regulator Bracket Clamping Screw.....	04
38474	6496	Slack Thread Regulator Bushing.....	20
1823	6496	" " " Roller and Stud.....	18
50062d	6496	" " " Screw.....	07
1620e	6496	" " " Nut.....	03
2102	6496	Tension (under thread) Disc.....	05
1560c	6496	" " " Regulating Thumb Nut.....	04
916f	6496	Tension (under thread) Screw Stud.....	08
10148	6496	" " " Spring.....	03
17547	6496	" " " Thread Guide.....	25
2102	6496	" (upper thread) Disc.....	05
1560c	6496	" " " Regulating Thumb Nut.....	04
916f	6496	Tension (upper thread) Screw Stud.....	08
2103	6496	" " " Spring.....	03
17547	6496	" " " Thread Guide.....	25
38225	6497	Thread (under) Eyelet (back).....	10
190d	6497	" " " " Screw.....	03
38284	6497	" " " (front).....	05
46049	6497	" " Nipper Cam with 465c.....	50
465c	6497	" " " " Set Screw.....	02
38210	6497	" " " Spring (lower).....	15
38211	6497	" " " " (upper).....	25
46247	6497	" " " " " Stop.....	10
176d	6497	" " " " " Screw.....	03

NO.	PLATE	NAME	EACH
38475	6497	Thread (under) Take-up with 465c.....	\$1 00
465c	6497	" " " Set Screw.....	02
46047	6510	" " " Staple.....	50
46040	6498	" " " " Bracket with 910c.....	2 00
690d	6534	Thread (under) Take-up Staple Bracket Screw.....	05
46041	6497	Thread (under) Take-up Staple Spring.....	05
190d	6497	" " " " " " Screw.....	03
910c	6497	Thread (under) Take-up Staple Stop Screw.....	03
38482	6497	Thread (under) Take-up Stripper.....	60
207d	6497	" " " " " Screw.....	02
38476	6497	" " " " Thread Guard (left).....	15
207d	6497	Thread (under) Take-up Thread Guard (left) Screw.....	02
38477	6497	Thread (under) Take-up Thread Guard (right).....	20
207d	6497	Thread (under) Take-up Thread Guard (right) Screw.....	02
38483	6496	Thread (upper) Controller.....	40
206f	6496	" " " " " Screw.....	02
46009	6510	" " " Eyelet.....	25
190d	6496	" " " " " Screw.....	03
46010	6510	" " " Take-up with 457c.....	80
457c	6510	" " " " " Set Screw.....	02
46089	6550	Throat Plate for 46080.....	2 50
46090	6550	" " " 46081.....	2 75
52825	6550	" " " 52817.....	2 75
691f	6534	" " " " " Screw.....	04

## ATTACHMENTS AND ACCESSORIES

NO.	PLATE	NAME	EACH
2015	6533	Machine Cushion (rubber).....	\$ 02
—	—	1¾ in. Wood Screw No. 16, to secure machine to table.....	—
4718	6533	Machine Rest (felt).....	01
35859	2112	Oiler with Cap and 35861.....	07
35860	—	" 35859, filled with oil.....	10
35861	2112	" Spout, 3½ in. long.....	03
26026	2112	Screw Driver (large).....	10
26485	2112	" " (small).....	05
35964	2112	Stiletto.....	10
38487	2112	Threading Wire.....	05
35095	2112	Tweezers, 6 in.....	40
8908	2112	Wrench for 1520, 1620, 1706, 1708 and 1709.....	08
23766	2112	Wrench for 1508 and 1636.....	10
4822	2112	" " 1528, 1547 and 1549.....	05
19221	2112	" " 1619.....	15
22003	2112	" " 1550.....	05

## BINDERS

### BINDER FOR MACHINE NO. 62-28

NO.	PLATE	NAME	EACH
36305	4847	Binder with 36306 and two 1443F.....	\$11 00
36498	4847	" " 36306, 36499 and two each 662b and 1443F, for neck binding, for selvage edge material.....	12 00
36306	4847	Binder Bracket with two 194d.....	2 00
36307	4848	" " Lock Spring.....	75
1425B	4848	" " " " Guide Screw.....	06
1443F	4848	" " " " Screw.....	04
1136B	4848	" " " " Thumb Screw.....	10
36308	4847	" " Plate.....	1 50
50004B	6534	" " " " Screw (left).....	04
1423B	6534	" " " " (right).....	04
194D	6535	" " " " Screw Stud.....	02
35724	4848	" Ribbon Tension Block.....	30
35726	4848	" " " " Bracket with two 185B.....	30
185B	4848	Binder Ribbon Tension Bracket Clamping Screw.....	02

NO.	PLATE	NAME	EACH
162D	4848	Binder Ribbon Tension Bracket Screw....	\$ 04
35725	4848	" " " " Pin.....	10
35727	4848	" " " " Stud.....	10
35728	4848	" " " " " 35727 with 35724 and two 35725.....	60
1443F	4848	Binder Screw.....	04
36199	4848	" Tension Spring for 36498.....	75
662D	4848	" " " " Screw.....	02
36596	4848	Edge Guide for 36305.....	50
<b>BINDER FOR MACHINE NO. 62-48</b>			
36473	4849	Binder on Block with two 910F.....	4 00
910F	4849	" Adjusting Screw.....	03
36474	4849	" Pin (long).....	01
36475	4849	" " (short).....	01
36476	4849	" Plate with 36474 and 36475.....	50
219F	4849	" " " " Screw.....	02
26614	4849	Ribbon Tension Pin (bent).....	05
26615	4849	" " " " (straight).....	05
26616	4849	" " " " Plate.....	35
25717	4849	Ribbon Tension complete, Nos. 26614, 26616 and four 26615.....	25
219F	4849	Ribbon Tension Screw.....	02

## BINDER ON SHANK

### FOR MACHINE NO. 62-25

NO.	PLATE	NAME	EACH
36198	4850	Binder on Shank.....	\$6 50
36006	4849	" Friction Washer.....	05
36192	4850	" Hinge Plate.....	1 50
1423D	6534	" " " " Screw.....	04
1425D	4848	" " " " Screw.....	06
36199	4850	Binder on Shank (hinged) complete, for mattress work, Nos. 1425D, 36006, 36192 and 36198.....	8 00
36194	4851	Feed Dog.....	1 50
36200	—	Presser Foot Body.....	2 00
36201	4851	" " Tension Plate with 36202... ..	1 00
36202	4851	" " " " Guide Pin....	15
93B	4851	" " " " " Screw.....	04
2656	4851	" " " " " Spring.....	02
36203	4851	Presser Foot (tension plate) complete, Nos. 93B, 2656, 36200 and 36201.....	3 00
36197	4851	Throat Plate for 36194.....	1 25

**EDGE FOLDERS****FOR MACHINE NO. 62-29**

NO.	PLATE	NAME	EACH
36627	6584	Edge Folder (left hand) on Slide with separating blade and left hand upper guide.	\$4 50
35998	4856	Holder with 8505 and 18116.	1 50
18116	4849	" Spring	05
8505	4849	" " Rivet.....per 100	10
1460H	6534	" Screw.....	07

**FOR MACHINE NO. 62-42**

36544	4850	Edge Folder on Shank.....	6 50
36006	4849	" " Friction Washer.....	05
36192	4850	" " Hinge Plate.....	1 50
1423D	6534	" " " " Screw.....	04
1425D	4848	" " " " Screw.....	06
36545	4850	Edge Folder on Shank (hinged) complete, for bottom of skirts, etc., Nos. 1425D, 36006, 36192 and 36544.....	8 00
36360	4852	Edge Folder on Shank, for joined or endless ruffles, for right hand needle only, for 52513, to be used with either 36354, 36356 or 36358.....	3 50
36361	4852	Edge Folder on Shank, for folded headings, used without covering strip, for two row stitching, for 52513.....	3 50
36362	4852	Edge Folder on Shank, for folded headings ( $\frac{3}{8}$ in. wide) used without covering strip, for two row stitching, for 52513.....	4 00
230H	4852	Edge Folder Screw for 36360 and 36361.....	02
1443D	4848	" " " " 36362.....	04
26276	6533	Presser Foot Hinge Pin.....	01
36352	—	" " Plate.....	7 25
36353	—	" " Shank.....	75
36354	6554	Presser Foot (strip folding) hinged, complete, for general work, for 36360, Nos. 26276, 36352 and 36353.....	8 00
26276	6533	Presser Foot Hinge Pin.....	01
36355	—	" " Plate.....	7 25
36353	—	" " Shank.....	75
36356	6554	Presser Foot (strip folding) hinged, complete, for lawn, for 36360, Nos. 26276, 36353 and 36355.....	8 00

NO.	PLATE	NAME	EACH
26276	6533	Presser Foot Hinge Pin.....	\$ 01
36357	—	" " Plate.....	7 75
36353	—	" " Shank.....	75
36358	6554	Presser Foot (strip folding) hinged, complete, grooved for $\frac{1}{16}$ in. to $\frac{3}{16}$ in. cord, for cord covered headings, for 36360, Nos. 26276, 36353 and 36357.....	8 50

NOTE. When ordering No. 36358 state gauge of machine and sample of cord to be used.

**EDGE GUIDES****FOR MACHINE NO. 62-25**

NO.	PLATE	NAME	EACH
46055	4853	Feed Dog.....	\$1 50
26276	6533	Presser Foot Hinge Pin.....	01
36037	—	" " Plate.....	3 25
36038	—	" " Shank.....	75
36039	4853	Presser Foot (hinged) with right hand edge folder complete, for top facings, for shoe linings, Nos. 26276, 36037 and 36038.....	4 00
46059	4853	Throat Plate for 46055.....	1 50
36040	4853	Edge Guide for 36039.....	50
46055	4853	Feed Dog.....	1 50
26276	6533	Presser Foot Hinge Pin.....	01
36126	—	" " Plate.....	3 25
36038	—	" " Shank.....	75
36127	4853	Presser Foot (hinged) with left hand edge folder, complete, for top facings for shoe linings, Nos. 26276, 36038 and 36126.....	4 00
46059	4853	Throat Plate for 46055.....	1 50
36128	4853	Edge Guide for 36127.....	50

**FOR MACHINE NO. 62-42**

36363	4854	Edge Guide (adjustable) on Shank, for bottom of skirts, etc., for 46470.....	3 50
36364	4852	Edge Guide on Shank, for joined or endless ruffles, for right hand needle only, for 52513, to be used with either 36354, 36356 or 36358.....	3 00
230H	4852	Edge Guide Screw for 36364.....	02

NO.	PLATE	NAME	EACH
26276	6533	Presser Foot Hinge Pin	\$ 01
36352	—	“ “ Plate	7 25
36353	—	“ “ Shank	75
36354	6554	Presser Foot (strip folding) hinged, complete, for general work, for 36364, Nos. 26276, 36352 and 36353	8 00
26276	6533	Presser Foot Hinge Pin	01
36355	—	“ “ Plate	7 25
36353	—	“ “ Shank	75
36356	6554	Presser Foot (strip folding) hinged, complete, for lawn, for 36364, Nos. 26276, 36353 and 36355	8 00
26276	6533	Presser Foot Hinge Pin	01
36357	—	“ “ Plate	7 75
36353	—	“ “ Shank	75
36358	6554	Presser Foot (strip folding) hinged, complete, grooved, for $\frac{1}{16}$ in. to $\frac{3}{16}$ in. cord, for cord covered headings, for 36364, Nos. 26276, 36353 and 36357	8 50

NOTE. When ordering No. 36358 state gauge of machine and send sample of cord to be used.

## FOLDERS

FOR MACHINE NO. 62-38

NO.	PLATE	NAME	EACH
36440	4855	Folder	\$6 75
131B	6534	“ Adjusting Screw	04
36441	4855	“ Block	75
50004B	6534	“ Screw	04
36443	4855	“ Slide	1 00
36442	4855	“ Tongue	3 50
36444	4855	Folder on Slide complete, for buckle straps, for short lengths of material, Nos. 36440 to 36443 and two each 131B and 50004B	12 00
35998	4856	Folder Holder with 8505 and 18116	1 50
1460H	6534	“ “ Screw	07
18116	4849	“ “ Spring	05
8505	4849	“ “ Rivet, per 100	10
36028	4857	Feed Dog	4 00
26276	6533	Presser Foot Hinge Pin	01
36445	—	“ “ Plate	2 75
36030	—	“ “ Shank	75
36446	4857	Presser Foot (hinged) complete, Nos. 26276, 36030 and 36445	3 50

NO.	PLATE	NAME	EACH
36032	4857	Throat Plate for 36028	\$3 50
36326	4856	Folder	4 50
218B	6532	“ Adjusting Screw	02
36327	4856	“ Block	50
50004B	6534	“ Screw	04
36330	4856	“ Slide	75
36328	4856	“ Tongue with 36567	2 25
36567	4856	“ “ Tip	50
36027	4856	Folder on Slide complete, for belt loops of trousers, for short lengths of material, Nos. 36326 to 36328, 36330 and two each 218B and 50004B	8 00
35998	4856	Folder Holder with 8505 and 18116	1 50
1460H	6534	“ “ Screw	07
18116	4849	“ “ Spring	05
8505	4849	“ “ Rivet, per 100	10
36028	4857	Feed Dog	4 00
26276	6533	Presser Foot Hinge Pin	01
36029	—	“ “ Plate	2 75
36030	—	“ “ Shank	75
36031	4857	Presser Foot (hinged) complete, Nos. 26276, 36029 and 36030	3 50
36032	4857	Throat Plate for 36028	3 50

## STAY GUIDE

FOR MACHINE NO. 62-35

NO.	PLATE	NAME	EACH
35717	4849	Stay Guide (lower)	\$ 20
35718	4849	“ “ (upper)	20
35719	—	Stay Guide complete, Nos. 35717 and 35718	40
1499D	4849	Stay Guide Screw	04

## HEMMERS ON SHANK

FOR MACHINE NO. 62-25

NO.	PLATE	NAME	EACH
36194	4851	Feed Dog	\$1 50
36191	4858	Hemmer on Shank	5 50
36006	4849	“ Friction Washer	05
36192	4858	“ Hinge Plate	1 50
1423D	6534	“ “ Screw	04
1425D	4848	“ “ Screw	06

## HEMMERS ON SHANK

NO.	PLATE	NAME	EACH
36193	4858	Hemmer on Shank (hinged) complete, for towels, Nos. 1425D, 36006, 36191 and 36192.....	\$7 00
26276	6533	Presser Foot Hinge Pin.....	01
36195	—	“ “ Plate.....	2 25
46057	—	“ “ Shank.....	60
36196	4851	Presser Foot (hinged) complete, Nos. 26276, 36195 and 46057.....	3 00
36197	4851	Throat Plate for 36194.....	1 25

## LAP SEAM FELLERS

FOR MACHINE NO. 62-25

NO.	PLATE	NAME	EACH
36301	6475	Lap Seam Feller, to turn top edge only.....	\$2 50
36302	6475	Feed Dog for 36301.....	1 00
36303	6475	Presser Foot for 36301.....	1 00
36304	6475	Throat Plate for 36302.....	1 00

FOR MACHINE NO. 62-36

*26269	—	Folder.....	3 25
18114	—	“ Slide.....	15
18116	4849	“ “ Spring.....	05
8505	4849	“ “ “ Rivet.....per 100	10
35998	4856	Holder with 8505 and 18116.....	1 50
1460H	6534	“ Screw.....	07
26272	6476	Lap Seam Feller (right hand) complete, Nos. 18114 and 26269.....	3 40
46060	6477	Feed Dog, for $\frac{3}{32}$ in. to $\frac{1}{4}$ in. gauge.....	2 75
52724	6477	“ “ (spiked teeth) for $\frac{3}{32}$ in. to $\frac{1}{4}$ in. gauge.....	2 75
46062	6477	Feed Dog, for $\frac{3}{32}$ in. to $\frac{3}{8}$ in. gauge.....	2 75
52655	6477	“ “ (spiked teeth) for $\frac{3}{32}$ in. to $\frac{3}{8}$ in. gauge.....	3 00
35990	6477	Presser Foot Guide.....	1 25
233D	6477	“ “ “ Screw.....	02
26276	6533	“ “ Hinge Pin.....	01
35991	—	“ “ Plate.....	2 00
35992	—	“ “ Shank.....	75
35250	6477	“ “ Spring.....	02
35993	6477	Presser Foot (spring hinged) complete, with left hand stationary guide, Nos. 233D, 26276, 35250 and 35990 to 35992.....	4 00

## LAP SEAM FELLERS

NO.	PLATE	NAME	EACH
36347	6477	Presser Foot Guide.....	\$1 25
233D	6477	“ “ “ Screw.....	02
26276	6533	“ “ Hinge Pin.....	01
36348	—	“ “ Plate.....	2 00
36349	—	“ “ Shank.....	75
35250	6477	“ “ Spring.....	02
36350	6477	Presser Foot (spring hinged) complete, with right hand stationary guide, Nos. 233D, 26276, 35250 and 36347 to 36349.....	4 00
46061	6477	Throat Plate for 46060 and 52724.....	3 00
46063	6477	“ “ “ 46062 and 52655.....	3 00
36609	6476	Lap Seam Feller (left hand) on Slide 18114.....	3 40
36599	6476	Lap Seam Feller (right hand) on Slide 18114.....	3 40
36600	6478	Feed Dog, for $\frac{1}{4}$ in. to $\frac{3}{8}$ in. gauge.....	2 00
26276	6533	Presser Foot Hinge Pin.....	01
36601	—	“ “ Plate.....	1 75
36602	—	“ “ Shank.....	75
36603	6478	Presser Foot (hinged) complete, Nos. 26276, 36601 and 36602.....	2 50
36604	6478	Throat Plate for 36600.....	1 75

## LAP SEAM GUIDE

FOR MACHINE NO. 62-44

NO.	PLATE	NAME	EACH
36384	4849	Lap Seam Guide on Shank.....	\$1 25
190D	4849	“ “ “ Screw.....	03
7071	4849	“ “ “ “ Washer.....	01

## STRIP FOLDERS

FOR MACHINE NO. 62-29

NO.	PLATE	NAME	EACH
36631	6570	Ruffling Blade Tripping Arm.....	\$1 00
197D	6570	“ “ “ “ Screw.....	02
36628	6570	Strip Folder.....	10 00
36629	6570	“ “ Foot.....	4 00
2818	6570	“ “ Friction Washer.....	01
76D	6570	“ “ Hinge Screw.....	06
36630	6570	Strip Folder with Presser Foot complete, for folding the top edging of casket lining, Nos. 76D, 197D, 2818, 36628, 36629 and 36631.....	15 00

## STRIP FOLDERS

## FOR MACHINE NO. 62-36

NO.	PLATE	NAME	EACH
36144	6478	Strip Folder on Slide 18114, to fold over the edges so that they will meet in centre with two lines of braid effect on under side of strip, produced by coarse looper threads.....	\$4 50
46081	6478	Feed Dog.....	2 75
26276	6533	Presser Foot Hinge Pin.....	01
36145	—	" " Plate.....	1 75
46087	—	" " Shank.....	75
36146	6478	Presser Foot (hinged) complete, grooved on bottom, Nos. 26276, 36145 and 46087	2 50
46090	6478	Throat Plate for 46081.....	2 75

## FOR MACHINE NO. 62-43

36541	4849	Strip Folder on Shank.....	3 00
1443F	4848	" " Screw.....	04

## TAPE HOLDER (6 in. Disc)

## FOR MACHINE NO. 62-42

NO.	PLATE	NAME	EACH
35821	1518	Bracket Wire.....	\$ —
35822	1518	Bracket Wire complete, Nos. 26918, 35821 and 35823.....	75
35823	—	Disc.....	20
35824	1518	" Hub.....	25
26070	6480	" " Rivet.....per 100	10
35825	1518	Disc complete, Nos. 35823, 35824 and three 26070.....	45
26918	1518	Tape Guide.....	—
35826	6480	Tension Adjusting Collar with 286D.....	15
	286D	" " " Thumb Screw..	10
13211	6480	" " Spring.....	02
35827	1518	Tape Holder (straight) complete, Nos. 13211, 35822, 35825 and 35826.....	1 45
190D	6480	Tape Holder Set Screw.....	03

## TAPE HOLDER (8 in. Disc)

NO.	PLATE	NAME	EACH
26912	1016	Bracket Wire.....	\$ —
26913	—	Bracket Wire complete, Nos. 26912, 26915 and 26919.....	60
26915	1016	Disc.....	15
26069	—	" Hub.....	25
26070	6480	" " Rivet.....per 100	10
26917	1016	Disc complete, Nos. 26069, 26915 and three 26070.....	40
26919	1016	Tape Guide.....	—
26073	6480	Tension Adjusting Collar with 286D.....	15
	286D	" " " Thumb Screw..	10
13211	6480	" " Spring.....	02
28809	1016	Tape Holder (straight) 8 in. disc, complete, Nos. 13211, 26073, 26913 and 26917..	1 15
	736D	6480 Tape Holder Set Screw.....	10

## TAPE HOLDER (10 in. Disc)

## FOR MACHINE NO. 62-28

NO.	PLATE	NAME	EACH
35908	—	Disc.....	\$ 15
35909	6479	" 35908 with 35910 and five 4604....	90
35910	6479	" Hub.....	75
	4604	" Rivet.....per 100	10
35911	6480	Shaft.....	75
35912	6480	" Bushing with 35913.....	1 25
35913	6480	" " Guide.....	40
	793D	" " Thumb Screw.....	08
35914	6480	Spindle.....	30
35915	6479	Stand.....	75
35916	6480	Tension Spring.....	25
	288D	" " Thumb Screw.....	05
35917	—	Tape Holder complete, Nos. 288D, 793D, 35909, 35911, 35912, 35914 to 35916 and three wood screws 1 in. No. 10....	5 00

## TAPE HOLDER (5 in. diam.)

## FOR TWO-NEEDLE MACHINES

NO.	PLATE	NAME	EACH
28994	2116	Tape Holder (5 in. diam.) with two wood screws 1¼ in. No. 10, for under the bench.....	\$1 50

## WELT GUIDE (Adjustable)

FOR MACHINES NOS. 62-26 AND 62-27

NO.	PLATE	NAME	EACH
35260	2148	Bed	\$2 00
35261	2148	" Extension	75
35262	2148	" Spring	20
35263	2148	" " Cap (left)	15
35264	2148	" " " (right)	15
590D	2148	" " " Screw	02
35265	2148	Cap with 7480	1 75
238D	2148	" Screw	02
35266	2148	Slide with 35267	50
26344	2148	" Stop	25
240D	2148	" " Screw	02
35267	2148	" Stud	05
35268	2148	Switch Lever with 7480	75
106D	2148	" " Hinge Screw	04
10309	2148	" " Spring	02
7480	2148	" " " Hook	01
910F	2148	Welt Guide Adjusting Screw	03
28991	2148	Width Guide	50
240D	2148	" " Screw	02
35269	2148	Welt Guide complete, Nos. 106D, 910F, 10309, 26344, 28991, 35260 to 35266, 35268, two 240D, three 238D and four 590D	7 00
190D	4849	Welt Guide Screw	03
7071	4849	" " " Washer	01
36417	4851	Feed Dog	75
36380	4851	Lifting Presser Foot for 62-27 Machine	80
36418	4851	Presser Foot for 62-26 Machine	75
36007	4851	Throat Plate with 665D and 46075, for 36417	1 75
46075	6542	Throat Plate Thread Retainer	10
665D	6542	" " " " Screw	02
36381	4851	Vibrating Presser Foot for 62-27 Machine	80

## CUTTER GRINDER PARTS

FOR MACHINE NO. 62-30

NO.	PLATE	NAME	EACH
27565	1104	Emery Wheel, 2 in. diam.	\$ 25
1508E	1105	" " Clamping Nut	06
27822	1105	" " " " Washer	10

## CUTTER GRINDER PARTS

217

NO.	PLATE	NAME	EACH
27567	1105	Emery Wheel Shaft	\$1 00
27568	1105	" " " Oil Hole Cover (rubber)	01
27569	1105	Emery Wheel Shaft Pulley	30
310F	1105	" " " " " Screw Centre	08
1516D	1105	" " " " " " Nut	05
27925	4874	Frame with 27574	75
27926	4875	Cutter Holder	25
27927	4874	" " Bracket with 27574	30
310F	1105	" " " " " Screw Centre	08
1516D	1105	" " " " " " Nut	05
27573	1105	" " " " " Spring	05
27574	1105	" " " " " Hook	02
27928	4875	" " " " " Clamp with 27930	15
27929	4875	" " " " " Spring	03
27930	4875	" " " " " Steady Pin	05
939D	4875	" " " " " Thumb Screw	10
27931	4875	" " " " " Collar with two 460C	15
460C	4875	" " " " " Set Screw	02
27932	4875	" " " " " Handle	05
27933	4875	" " " " " Stop	10
286D	4875	" " " " " Thumb Screw	10
261D	1105	" " " " " Regulating Thumb Screw	12
27662	1104	Wrench for 1508 and 1516	15
27934	—	Cutter Grinder complete, Nos. 261D, 286D, 939D, 1508E, 27565, 27567, 27569, 27573, 27662, 27822, 27925 to 27929, 27931 to 27933, two 27568, three wood screws 1 in. No. 10 and four each 310F and 1516D	4 50

## FOOT LIFTER PARTS

NO.	PLATE	NAME	EACH
6439	—	Chain, 36 in. to 45 in.	\$ 20

NOTE. When ordering No. 6439 give length required.

4879	6508	Chain Connecting Link	03
23759	2114	Lifting Lever for 23769	25
52520	6537	" " " 52522	25
52516	6537	" " " 52519	25
52602	6537	" " " 52601	25
802D	6535	" " " Hinge Screw	10
52603	6531	" " " Link for 52601	25
957D	6531	" " " Hinge Screw for 52601	05



## FOOT LIFTER PARTS

NO.	PLATE	NAME	EACH
23761	2114	Lifting Lever Spring for 23769 and 52604.	\$ 05
52547	6508	" " " " 52549.	05
52521	6508	" " " " 52522.	05
1002b	6535	" " Stop Screw for 23769 and 52604.	03
871b	6535	Lifting Lever Stop Screw for 52549.	04
52548	6531	" Presser Bar Lifting Bracket with 704c, for 52549.	1 50
704c	6531	Lifting Presser Bar Lifting Bracket Clamping Screw.	04
4881	2114	Treadle.	30
4882	6508	" Shaft.	05
4883	6508	" Spring.	10
4884	2114	" Stand.	25
4885	2114	Treadle complete, Nos. 4879, 4881 to 4884 and two wood screws 1 in. No. 16.	75
23769	—	Foot Lifter complete for 62-25 to 62-28, 62-30, 62-31, 62-35 to 62-41, 62-43 to 62-46 and 62-48 to 62-51 Machines, Nos. 802b, 1002b, 4885, 6439, 23759 and 23761.	1 35
52549	—	Foot Lifter complete for 62-32 Machine, Nos. 802b, 871b, 4885, 6439 and 52546 to 52548.	2 90
52522	—	Foot Lifter complete for 62-42 Machine, Nos. 802b, 4885, 6439, 52520 and 52521.	1 35
52604	—	Foot Lifter complete for 62-47 Machine, Nos. 802b, 957b, 1002b, 4885, 6439, 23761, 52602 and 52603.	1 70

## KNEE LIFTER PARTS

NO.	PLATE	NAME	EACH
46261	—	Chain, 13 in. long, for 46263.	\$ 10
23759	2114	Lifting Lever for 23768, 38385 and 46263.	25
52520	6537	" " " 52523 and 52524.	25
52546	6537	" " " 52550 and 52551.	25
52602	6537	" " " 52605 and 52606.	25
23760	2114	" " Connecting Rod for 23768, 52523, 52550 and 52605.	05
38384	2114	Lifting Lever Connecting Rod for 38385, 52524, 52551 and 52606.	05
802b	6535	Lifting Lever Hinge Screw.	10
52603	6531	" " Link for 52605 and 52606.	25
957b	6531	" " " Hinge Screw for 52605 and 52606.	05

## KNEE LIFTER PARTS

NO.	PLATE	NAME	EACH
23761	2114	Lifting Lever Spring for 23768, 38385, 46263, 52605 and 52606.	\$ 05
52521	6508	Lifting Lever Spring for 52523 and 52524.	05
52547	6508	" " " " 52550 and 52551.	05
871b	6535	" " Stop Screw for 52550 and 52551.	04
1002b	6535	Lifting Lever Stop Screw for 23768, 38385, 46263, 52605 and 52606.	03
52548	6531	Lifting Presser Bar Lifting Bracket with 704c, for 52550 and 52551.	1 50
704c	6531	Lifting Presser Bar Lifting Bracket Clamping Screw.	04
2763	2114	Rock Shaft for 23767 and 46262.	10
12242	2114	" " Hanger with two wood screws 1 in. No. 10 for 23767.	08
7539	6537	Rock Shaft Hanger with two wood screws 1 in. No. 10 for 46262.	08
6335	2114	Rock Shaft Knee Arm for 6336.	10
16646	6537	" " " " " 16647.	10
6336	—	Rock Shaft Knee Arm complete for 23767, Nos. 2766, 2767 and 6335.	40
16647	—	Rock Shaft Knee Arm complete for 46262, Nos. 2766, 2767 and 16646.	40
2766	2114	Rock Shaft Knee Arm Hub with 356c.	15
356c	6535	" " " " " Set Screw.	06
2767	2114	" " " Plate with 356c.	18
356c	6535	" " " " " Set Screw.	06
6337	2114	" " Lifting Bracket with two 356c, for 23767 and 46262.	20
7125	2114	Rock Shaft Lifting Bracket Hook for 23767 and 46262.	15
356c	6535	Rock Shaft Lifting Bracket Hook Set Screw.	06
356c	6535	Rock Shaft Lifting Bracket Set Screw.	06
2770	2114	" " Stop Dog with 356c.	12
356c	6535	" " " " " Set Screw.	06
23767	2114	Rock Shaft complete for 23768, 38385, 52523, 52524, 52550, 52551, 52605 and 52606, Nos. 2763, 2770, 6336, 6337, 7125 and two 12242.	1 10
46262	6537	Rock Shaft complete for 46263, Nos. 2763, 2770, 6337, 7125, 16647 and two 7539.	1 15
23768	—	Knee Lifter complete (power table) for 62-25 to 62-28, 62-30, 62-31, 62-35 to 62-38, 62-40, 62-41, 62-43 to 62-46 and 62-48 to 62-51 Machines, Nos. 802b, 1002b, 23759 to 23761 and 23767.	1 55

## KNEE LIFTER PARTS

NO.	PLATE	NAME	EACH
46263	---	Knee Lifter complete (power table) for 62-39 Machine, Nos. 802b, 1002b, 23759, 23761, 46261 and 46262. ....	\$1 70
52523	---	Knee Lifter complete (power table) for 62-42 Machine, Nos. 802b, 23760, 23767, 52520 and 52521. ....	1 55
52550	---	Knee Lifter complete (power table) for 62-32 Machine, Nos. 802b, 871b, 23760, 23767 and 52546 to 52548. ....	3 10
52605	---	Knee Lifter complete (power table) for 62-47 Machine, Nos. 802b, 957b, 1002b, 23760, 23761, 23767, 52602 and 52603. ....	1 90
38385	---	Knee Lifter complete (bench stand) for 62-25 to 62-28, 62-30, 62-31, 62-35 to 62-41, 62-43 to 62-46 and 62-48 to 62-51 Machines, Nos. 802b, 1002b, 23759, 23761, 23767 and 38384. ....	1 60
52524	---	Knee Lifter complete (bench stand) for 62-42 Machine, Nos. 802b, 23767, 38384, 52520 and 52521. ....	1 55
52551	---	Knee Lifter complete (bench stand) for 62-32 Machine, Nos. 802b, 871b, 23767, 38384 and 52546 to 52548. ....	3 10
52606	---	Knee Lifter complete (bench stand) for 62-47 Machine, Nos. 802b, 957b, 1002b, 23761, 23767, 38384, 52602 and 52603. ....	1 90

## KNIFE GRINDER PARTS

FOR MACHINES NOS. 62-31 AND 62-49

NO.	PLATE	NAME	EACH
27565	1104	Emery Wheel, 2 in. diam. ....	\$ 25
1508E	1105	" " Clamping Nut. ....	06
27822	1105	" " " " Washer. ....	10
27567	1105	" " Shaft. ....	1 00
27568	1105	" " " Oil Hole C o v e r (rubber) . . . . .	01
27569	1105	Emery Wheel Shaft Pulley. ....	30
310F	1105	" " " Screw Centre. ....	08
1516D	1105	" " " " " Nut. ....	05
27564	1104	Frame with 27574. ....	75
1656D	6536	Knife Clamping Thumb Nut. ....	10
41717	---	" Holder Body for 41719. ....	25
41718	---	" " " " 41720. ....	25

## KNIFE GRINDER PARTS

NO.	PLATE	NAME	EACH
41719	6536	Knife Holder complete for 46345 and 52744, Nos. 38b, 574b, 1528b, 1656b, 11833 and 41717. ....	\$ 65
41720	6536	Knife Holder complete for 46351, Nos. 38b, 574b, 1528b, 1656b, 11833 and 41718. ....	65
574b	6536	Knife Holder Adjusting Thumb Screw	15
1528b	6536	" " " " " "	
		Lock Nut. ....	03
27323	1105	Knife Holder Guide Bar. ....	05
27572	1104	" " " " Bracket with 27574. ....	30
310F	1105	Knife Holder Guide Bar Bracket Screw Centre. ....	08
1516D	1105	Knife Holder Guide Bar Bracket Screw Centre Nut. ....	05
27573	1105	Knife Holder Guide Bar Bracket Spring	05
27574	1105	" " " " " " " " Hook. ....	02
27659	1105	Knife Holder Stop Collar with 237F. ....	10
237F	1105	" " " " Set Screw. ....	02
11833	6536	" Position Pin. ....	01
261D	1105	" Regulating Thumb Screw. ....	12
38b	6536	" Screw. ....	08
41721	---	Knife Grinder complete for 46345, 46351 and 52744, Nos. 261b, 1508E, 27323, 27564, 27565, 27567, 27569, 27572, 27573, 27659, 27662, 27822, 41719, 41720, two 27568, three wood screws 1 in. No. 10 and four each 310F and 1516b. ....	5 00
27662	1104	Wrench for 1508 and 1516. ....	15

## THREAD UNWINDERS

## THREAD UNWINDER

FOR TWO LARGE SPOOLS OR TWO LARGE CONES OF THREAD

NO.	PLATE	NAME	EACH
27623	2837	Spool Pin. ....	\$ 08
155c	6534	" " Set Screw. ....	03
41530	2837	" Rest. ....	30
41531	---	" " 41530 with 1149c and two each 155c and 27623. ....	50
1149c	6534	Spool Rest Set Screw. ....	04
27940	2837	" Stand with 453c. ....	20
41514	2837	" Weight, 4 in. diam., with 41515. ....	15

NO.	PLATE	NAME	EACH
41515	6531	Spool Weight Centre Pin.....	\$ 05
27739	2837	Thread Cone (wood).....	05
41631	2837	“ Guard with 208E and two 41569..	35
41569	6531	“ “ Eyelet.....	02
41637	2837	“ “ Rod (lower).....	10
41638	2837	“ “ “ (upper).....	15
41639	2837	“ “ “ Coupling with two 456c.....	20
456c	6515	Thread Guard Rod Coupling Set Screw..	02
41640	—	Thread Guard Rod complete, 30 in. long, Nos. 41637 to 41639.....	45
453c	6518	Thread Guard Rod Set Screw.....	02
208E	6532	“ “ Screw.....	02
41533	2837	Thread Unwinder complete, Nos. 27940, 41531, 41631, 41640, two each 27739, 41514 and three wood screws 1 in. No. 12.....	1 80

### THREAD UNWINDER

#### FOR THREE LARGE SPOOLS OR THREE LARGE CONES OF THREAD

NO.	PLATE	NAME	EACH
27623	5571	Spool Pin.....	\$ 08
155c	6534	“ “ Set Screw.....	03
41434	5571	“ Rest.....	40
41435	—	“ “ 41434 with 1149c and three each 155c and 27623.....	75
1149c	6534	Spool Rest Set Screw.....	01
27940	5571	“ Stand with 453c.....	20
41514	5571	“ Weight, 4 in. diam., with 41515....	15
41515	6531	“ “ Centre Pin.....	05
27739	5571	Thread Cone (wood).....	05
41632	5571	“ Guard with 208E and three 41569	40
41569	6531	“ “ Eyelet.....	02
41637	5571	“ “ Rod (lower).....	10
41638	5571	“ “ “ (upper).....	15
41639	5571	“ “ “ Coupling with two 456c.....	20
456c	6515	Thread Guard Rod Coupling Set Screw..	02
41640	—	Thread Guard Rod complete, 30 in. long, Nos. 41637 to 41639.....	45
453c	6518	Thread Guard Rod Set Screw.....	02
208E	6532	“ “ Screw.....	02
41438	5571	Thread Unwinder complete, Nos. 27940, 41435, 41632, 41640 and three each 27739, 41514 and wood screws 1 in. No. 12.....	2 30

### THREAD UNWINDER

#### FOR FOUR LARGE SPOOLS OR FOUR LARGE CONES OF THREAD

NO.	PLATE	NAME	EACH
27623	2838	Spool Pin.....	\$ 08
155c	6534	“ “ Set Screw.....	03
41534	2838	“ Rest.....	50
41535	—	“ “ 41534 with 1149c and four each 155c and 27623.....	1 00
1149c	6534	Spool Rest Set Screw.....	04
27940	2838	“ Stand with 453c.....	20
41514	2838	“ Weight, 4 in. diam., with 41515....	15
41515	6531	“ “ Centre Pin.....	05
27739	2838	Thread Cone (wood).....	05
41633	2838	“ Guard with 208E and four 41569..	45
41569	6531	“ “ Eyelet.....	02
41637	2838	“ “ Rod (lower).....	10
41638	2838	“ “ “ (upper).....	15
41639	2838	“ “ “ Coupling with two 456c.....	20
456c	6515	Thread Guard Rod Coupling Set Screw..	02
41640	—	Thread Guard Rod complete, 30 in. long, Nos. 41637 to 41639.....	45
453c	6518	Thread Guard Rod Set Screw.....	02
208E	6532	“ “ Screw.....	02
41537	2838	Thread Unwinder complete, Nos. 27940, 41535, 41633, 41640, three wood screws 1 in. No. 12 and four each 27739 and 41514.....	2 80

### UNDER DRIVERS

#### UNDER DRIVER

#### LEVER PRESSURE, THREE SPEED, RIGHT HAND (OIL CONTROLLING PULLEY)

NO.	PLATE	NAME	EACH
27508	362	Belt Guard.....	\$ 08
649E	6532	“ “ Screw.....	05
27509	362	Cone Pulley (grooved) three speed, 2½ in., 3¾ in. and 5¼ in. diam., with 27473..	60
27473	1101	Cone Pulley Centre Bearing.....	08
27474	363	Dress Guard (right hand).....	08
138E	1101	“ “ Screw.....	05
27630	362	Driving Pulley (grooved) 6 in. diam., with 433c, 27598 and two 795S.....	60
27598	—	Driving Pulley Friction Ring (leather)...	05

## UNDER DRIVERS

NO.	PLATE	NAME	EACH
7958	2642	Driving Pulley Friction Ring Stop Pin...	\$ 01
27631	1101	" " Hollow Stud with 27600...	15
27600	1101	" " " " Position Stud.....	02
356c	6535	Driving Pulley Hollow Stud Set Screw...	06
27632	—	" " " " Wick.....	01
27633	—	" " " " Wire with 27632.....	05
433c	1101	Driving Pulley Screw Centre Bearing	08
7958	2642	" " " " " Dowel Pin.....	01
27634	362	Frame.....	60
41338	362	Lever.....	25
27483	1101	" Brake Spring.....	02
27497	1101	" " Strip (leather).....	02
12178	1101	" Centre Plug (wood).....	01
427E	1101	" " " Adjusting Screw.....	08
1508E	1101	" " " " " Nut.....	06
27485	1101	" Hinge Pin.....	01
27635	362	Oil Cup.....	25
127E	6534	" " Screw.....	04
27070	363	Shaft Driving Pulley (sectional, grooved) 10 in. diam., 1 1/8 in. bore, with two 597c	45
597c	2642	Shaft Driving Pulley Clamping Screw....	08
27636	363	Treadle.....	30
9082	1101	" Bearing Cotter Pin.....	01
27637	362	" Pitman Rod (lower).....	05
27638	1101	" " " " Spring.....	03
27639	362	" " " (upper).....	05
9079	362	" " " Clamp with 354c....	12
354c	1101	" " " " Screw.....	06
27640	362	Treadle Pitman complete, Nos. 2762, 9079 and 27637 to 27639.....	35
2878	363	Treadle Stand.....	15
2762	2642	" Stop Collar with 362F.....	10
362F	2642	" " " Set Screw.....	05
27642	—	Treadle complete, Nos. 2878, 9082, 27636 and four wood screws 1 in. No. 16.....	45
27643	—	Treadle and Pitman complete, Nos. 27640 and 27642.....	80
27644	—	Transmitter complete for 27645, Nos. 138E, 356c, 427E, 649E, 1508E, 12178, 27474, 27483, 27485, 27497, 27508, 27509, 27630, 27631, 27633 to 27635, 41338, two 127E and four wood screws 1 1/2 in. No. 16.....	3 00

## UNDER DRIVERS

NO.	PLATE	NAME	EACH
27645	—	Under Driver, lever pressure, three speed, right hand (oil controlling pulley) complete, Nos. 27070, 27643 and 27644	\$1 00

## UNDER DRIVER

## BALL BEARING, LEVER PRESSURE, TWO SPEED, RIGHT HAND

NO.	PLATE	NAME	EACH
27750	2640	Cone Pulley (grooved) two speed, 3 3/4 in. and 5 1/4 in. diam., with 878b and 12459	\$ 60
25303	2641	Cone Pulley Ball, size 1/4 in.....	per 100 1 00
27753	2641	" " " Bearing Adjusting Ring.....	15
1143c	2641	Cone Pulley Ball Bearing Adjusting Ring Set Screw.....	03
27795	2641	Cone Pulley Ball Bearing Adjusting Ring Set Screw Washer.....	per 100 25
878b	2641	Cone Pulley Oil Hole Stop Screw.....	06
12459	2641	" " " " " Washer (leather).....	per 100 50
27755	2640	Dress Guard.....	10
348c	2642	" " Screw.....	06
2718	2642	" " " Washer.....	01
27756	2640	Driving Pulley (grooved) 6 in. diam., with 315c, 7958 and 27598.....	60
27598	—	Driving Pulley Friction Ring (leather)...	05
7958	2642	" " " " Stop Pin....	01
315c	2642	" " Set Screw.....	04
27757	2641	" " Shaft.....	60
25303	2641	" " " Ball, size 1/4 in. per 100.....	1 00
27751	2641	Driving Pulley Shaft Ball Bearing Collar	25
27752	2641	" " " " " " Pin.....	04
27758	2641	Driving Pulley Shaft Ball Safety Washer	01
27759	2641	" " " Screw Bearing Ball Case (left).....	20
27760	—	Driving Pulley Shaft Screw Bearing Ball Case (left) complete, Nos. 27758, 27759, 27761 to 27763 and twelve 25303.....	50
27761	2641	Driving Pulley Shaft Screw Bearing Ball Case (left) Friction Stud.....	10
25303	2641	Driving Pulley Shaft Screw Bearing Ball Case (left) Friction Stud Ball, size 1/4 in.....	per 100 1 00

NO.	PLATE	NAME	EACH
27762	2641	Driving Pulley Shaft Screw Bearing Ball Case (left) Friction Stud Ball Plate....	\$ 05
27763	2641	Driving Pulley Shaft Screw Bearing Ball Case (left) Friction Stud Ball Plate Washer.....	01
27754	2641	Driving Pulley Shaft Screw Bearing Ball Case (left) Friction Stud Extension Pin.....	02
1122c	2641	Driving Pulley Shaft Screw Bearing Ball Case (left) Set Screw.....	03
27764	2641	Driving Pulley Shaft Screw Bearing Ball Case (right).....	20
27765	—	Driving Pulley Shaft Screw Bearing Ball Case (right) complete, Nos. 27758, 27764 and eight 25303.....	30
1122c	2641	Driving Pulley Shaft Screw Bearing Ball Case (right) Set Screw.....	03
27766	2640	Frame with two 1122c.....	75
27767	2640	Lever with 27768 and two 27878.....	35
1093c	2642	" Adjusting Screw.....	10
1513E	2642	" " " Nut.....	05
27768	2642	" Brake (leather) two pieces.....	03
27878	2642	" " Rivet.....	01
1092E	2642	" Hinge Screw.....	20
1507E	2642	" " " Nut.....	05
27769	2642	" Spring.....	10
27070	363	Shaft Driving Pulley (sectional, grooved) 10 in. diam., 1 1/8 in. bore, with two 597c.....	45
597c	2642	Shaft Driving Pulley Clamping Screw....	08
27636	363	Treadle.....	30
9082	2642	" Bearing Cotter Pin.....	01
27637	2640	" Pitman Rod (lower).....	05
27638	2642	" " " " Spring.....	03
27639	2640	" " " (upper).....	05
9079	2640	" " " Clamp with 354c....	12
354c	2642	" " " " Screw.....	06
27640	2640	Treadle Pitman complete, Nos. 2762, 9079 and 27637 to 27639.....	35
2878	363	Treadle Stand.....	15
2762	2642	" Stop Collar with 362F.....	10
362F	2642	" " " Set Screw.....	05
27642	—	Treadle complete, Nos. 2878, 9082, 27636 and four wood screws 1 in. No. 16.....	45
27643	—	Treadle and Pitman complete, Nos. 27640 and 27642.....	80

NO.	PLATE	NAME	EACH
27770	—	Transmitter complete, Nos. 348c, 1092E, 1093c, 1507E, 1513E, 2718, 27750 to 27752, 27754 to 27757, 27760, 27765 to 27767, 27769, two each 1143c, 27753, 27795, three wood screws 2 in. No. 16 and twenty-two 25303.....	\$3 00
27771	—	Under Driver (ball bearing) lever pressure, two speed, right hand, complete, Nos. 27070, 27643 and 27770.....	4 00

## OBSOLETE PARTS

NO.	PLATE	NAME	EACH
*38410	—	Arm, upper and lower (solid) for 62-25 and 62-26 Machines.....	\$20 00
*46279	—	Arm, upper and lower (solid) for 62-27 and 62-44 Machines.....	20 00
*46320	—	Arm, upper and lower (solid) for 62-30 and 62-31 Machines.....	22 00
*38488	—	Arm, upper and lower (solid) for 62-35 to 62-37 Machines.....	20 00
*46106	—	Arm, upper and lower (solid) for 62-45 and 62-46 Machines.....	20 00
*46163	—	Arm, upper and lower (solid) for 62-39 and 62-40 Machines.....	20 00
*46370	—	Arm, upper and lower (solid) with 381b and 46384, for 62-50 Machine.....	20 00
23702	6538	Arm Rock Shaft for 62-25, 62-26, 62-30, 62-31, 62-35 to 62-40, 62-45 and 62-46 Machines.....	1 00
38411	6531	Arm Rock Shaft Crank (back) with two 1497c, for 62-25 to 62-27, 62-30, 62-31, 62-35 to 62-37, 62-39 to 62-41, 62-45 and 62-46 Machines.....	80
38413	6482	Arm Rotary Shaft for 62-25 to 62-27, 62-30, 62-35 to 62-37, 62-39 to 62-41, 62-45 and 62-46 Machines.....	3 00
23933	6507	Arm Side Cover (upper) for 62-25, 62-27, 62-30, 62-31, 62-40 and 62-41 Machines.....	15
46366	6507	Arm Side Cover (upper) for 62-28, 62-32 and 62-44 Machines.....	20
46467	6514	Arm Side Cover (upper) for 62-42 Machine.....	20

NO.	PLATE	NAME	EACH
46219	6514	Arm Side Cover (upper) for 62-45 Machine.....	\$ 20
38489	—	Arm Side Cover (upper) for 38490.....	15
38490	6538	" " " " 38489 with 38491 and two 26092, for 62-26, 62-35 to 62-39, 62-45 and 62-46 Machines.....	25
190D	6496	Arm Side Cover (upper) Screw for 62-25, 62-26, 62-35 to 62-40, 62-45 and 62-46 Machines.....	03
38491	6531	Arm Side Cover (upper) Thread Eyelet (double) for 38490.....	40
26092	6531	Arm Side Cover (upper) Thread Eyelet Rivet for 38490..... per 100	15
286D	6535	Arm Side Cover (upper) Thumb Screw for 62-27, 62-30, 62-31 and 62-41 Machines	10
46096	6484	Cloth Plate for 46097.....	2 50
46097	—	Cloth Plate complete for 62-26 Machine, Nos. 286D, 38296H, 38420 and 46096, use 46256.....	3 25
46463H	6486	Cloth Plate Slide (right) with 1602H, for 46324 and 52650.....	40
38296H	—	Cloth Plate Slide (right) with 1602H, for 46097.....	30
286D	6535	Cloth Plate Slide (right) Thumb Screw for 46097.....	10
922D	6535	Cloth Plate Slide (right) Thumb Screw for 46079.....	10
1602H	6535	Cloth Plate Slide (right) Thumb Screw Nut for 286D.....	02
38422	6538	Crank Connecting Rod with 38423 and two 158E, for 62-25, 62-26, 62-35 to 62-40 and 62-46 Machines.....	1 25
*38423	—	Crank Connecting Rod Cap for 38422.....	—
158E	6534	" " " " Screw for 38422.....	03
372C	6534	Crank Connecting Rod Hinge Screw for 62-25 to 62-27, 62-30, 62-31, 62-35 to 62-41, 62-45 and 62-46 Machines.....	12
1518E	6535	Crank Connecting Rod Hinge Screw Nut for 62-25 to 62-27, 62-30, 62-31, 62-35 to 62-41, 62-45 and 62-46 Machines...	04
46224	6531	Crank Connecting Rod Oil Cup for 46221.....	05
52632	6532	Cutting Lever for 52636.....	40
38150	6532	" Plate for 46331 and 52636.....	40
46325	6539	" Lever for 46331.....	40
46326	6539	" " Adjusting Slide for 46331..	2 00

NO.	PLATE	NAME	EACH
46328	6539	Cutting Lever Connection for 62-30 Machine.....	\$1 25
1099F	6539	Cutting Lever Connection Hinge Screw for 62-30 Machine.....	03
46329	6539	Cutting Plate Bracket for 46331.....	6 25
46331	—	Cutting Plate Bracket complete for 62-30 Machine, Nos. 87F, 1246c, 1389F, 1643D, 38150, 38152, 38155, 46325 to 46327, 46329, two each 190D, 1247c and four 207F.....	12 20
36359	6481	Edge Folder (adjustable) on Shank, for bottom of skirts, etc., for 46170.....	8 00
38424	6514	Face Plate for 62-25, 62-26, 62-35 and 62-36 Machines.....	50
46064	6514	Face Plate for 62-37 Machine.....	50
211F	6534	" " Screw for 62-25, 62-26 and 62-35 to 62-37 Machines.....	02
465c	6497	Feed Bar Set Screw for 38425.....	02
1057E	6534	" Connecting Rod Cap Screw for 38427.....	04
1057E	6534	Feed (back) Connecting Rod Cap Screw for 38427.....	04
1057E	6534	Feed (lower) Connecting Rod Cap Screw for 38427.....	04
46334	6565	Feed Dog for 62-30 Machine.....	2 50
46344	6565	" " " 62-31 Machine.....	2 50
46065	6551	" " " 62-32 Machine.....	1 00
46267	6566	" " " 62-40 Machine.....	1 75
46112	6564	" " " $\frac{1}{32}$ in. to $\frac{3}{64}$ in., $\frac{1}{4}$ in. to $\frac{1}{32}$ in. and $\frac{1}{32}$ in. to $\frac{3}{64}$ in. gauges, for 62-45 Machine.....	2 25
46138	6564	Feed Dog, for $\frac{1}{32}$ in. to $\frac{3}{64}$ in., $\frac{3}{16}$ in. to $\frac{1}{32}$ in. and $\frac{1}{32}$ in. to $\frac{3}{64}$ in. gauges, for 62-45 Machine.....	2 25
46307	6564	Feed Dog, for $\frac{1}{32}$ in. to $\frac{3}{64}$ in., $\frac{1}{8}$ in. to $\frac{5}{32}$ in. and $\frac{1}{32}$ in. to $\frac{3}{64}$ in. gauges, for 62-45 Machine.....	2 25
172c	6496	Feed Dog Screw for 62-31 Machine.....	04
50073D	6534	" " " for $\frac{3}{64}$ in., $\frac{1}{32}$ in. and $\frac{3}{64}$ in. gauges, for 62-45 Machine.....	05
704c	6499	Feed (back) Dog Screw for 62-49 Machine	04
203c	6534	" (front) Dog Screw for 62-49 Machine	03
*21230	—	" (upper) Eccentric for 52592.....	—
38430	6531	" Lifting Eccentric Cover for 62-25, 62-26 and 62-35 to 62-37 Machines....	10
723D	6535	Guide Thumb Screw for 62-25 Machine..	08

NO.	PLATE	NAME	EACH
46409	6539	Knife Bar Guide Bar with 237E, for 62-32 Machine.....	\$ 30
46410	6539	Knife Bar Guide Bar Connecting Stud with 223D, for 62-32 Machine.....	50
223D	6500	Knife Bar Guide Bar Connecting Stud Clamping Screw for 46410.....	02
237E	6502	Knife Bar Guide Bar Connecting Stud Set Screw for 46409.....	02
46354	6539	Knife Bracket for 46356.....	5 00
206F	6534	" Holder Adjusting Bracket Screw for 46413.....	02
206F	6534	Knife Holder Screw for 46413.....	02
46345	6539	" (movable) use 52744.....	60
46346	6539	" " Connection with 904C, for 62-31 and 62-49 Machines.....	2 50
46350	6528	Knife (movable) Eccentric with two 457C, for 62-31 and 62-49 Machines.....	1 00
46353	6539	Knife (stationary) Stop for 46356.....	1 00
38464	6494	Lifting Presser Bar Bushing (lower) for 62-32 Machine.....	80
46073	6493	Lifting Presser Bar Bushing (upper) for 62-44 Machine.....	80
38434	6529	Looper with 590D and 38393, for 62-25 Machine, use 46335.....	2 25
46114	6525	Looper (back) with 590D and 46115, for 62-45 Machine.....	2 25
46116	6525	Looper (front) for 62-45 Machine.....	2 25
1143C	6493	" " Set Screw for 38496.....	03
38435	6512	" Bell Crank for 62-25 to 62-27, 62-30, 62-31, 62-35 to 62-37, 62-39 to 62-41 and 62-45 Machines.....	50
38437	6538	Looper Bell Crank Pitman with 7320, 38438 and four 187D, for 62-25 to 62-27, 62-30, 62-31, 62-35 to 62-37, 62-39 to 62-41, 62-45 and 62-46 Machines, use 46101.....	2 00
46101	6512	Looper Bell Crank Pitman with 46102, 46103 and four 187D, for 62-25 to 62-27, 62-30, 62-31, 62-35 to 62-37, 62-39 to 62-41 and 62-45 Machines.....	2 00
777C	6535	Looper Bell Crank Pitman Ball Screw Stud (lower) for 62-25 to 62-27, 62-30, 62-31, 62-35 to 62-37, 62-39 to 62-41 and 62-45 Machines.....	12
1519E	6535	Looper Bell Crank Pitman Ball Screw Stud (lower) Nut for 777C.....	03

NO.	PLATE	NAME	EACH
1636E	6535	Looper Bell Crank Pitman Ball Screw Stud (lower) Nut for 777C, for 62-25 to 62-27, 62-30, 62-31, 62-35 to 62-37, 62-39 to 62-41 and 62-45 Machines.....	\$ 03
777C	6535	Looper Bell Crank Pitman Ball Screw Stud (upper) for 62-25 to 62-27, 62-30, 62-31, 62-35 to 62-37 and 62-39 to 62-41 Machines.....	12
50039C	6535	Looper Bell Crank Pitman Ball Screw Stud (upper) for 62-45 Machine.....	20
50016C	6535	Looper Bell Crank Pitman Ball Screw Stud (upper) for 62-38 Machine.....	15
1519E	6535	Looper Bell Crank Pitman Ball Screw Stud (upper) Nut for 777C.....	03
1037C	6493	Looper Bell Crank Pitman Ball Stud (lower) Set Screw for 62-38 Machine..	04
*7320	—	Looper Bell Crank Pitman Cap (lower) for 38437.....	30
196E	6491	Looper Bell Crank Pitman Cap (lower) Screw for 38445.....	02
*38438	—	Looper Bell Crank Pitman Cap (upper) for 38437.....	35
196E	6491	Looper Bell Crank Pitman Cap (upper) Screw for 38446.....	02
1707E	6535	Looper Bell Crank Pitman Rod Nut (upper) for 46227.....	03
38441	6538	Looper Carrier Pitman complete for 62-25 to 62-27, 62-30, 62-31, 62-35 to 62-41, 62-45 and 62-46 Machines, Nos. 1697E, 1698E and 38445 to 38447.....	3 25
1518E	6535	Looper Carrier Pitman Ball Screw Stud (right) Nut for 62-25, 62-27, 62-30, 62-36 to 62-40, 62-45 and 62-46 Machines	04
196E	6491	Looper Carrier Pitman Cap (left) Screw for 38445.....	02
196E	6491	Looper Carrier Pitman Cap (right) Screw for 38446.....	02
38445	6538	Looper Carrier Pitman Head (left) Nos. 38442, 38443, 42525 and two 187E, for 38441.....	1 50
38446	6538	Looper Carrier Pitman Head (right) Nos. 38444, 42524, 50016C and two 187E, for 38441 and 46175.....	1 50
46175	6538	Looper Carrier Pitman complete for 62-38 Machine, Nos. 1697E, 1698E, 38445, 38446 and 46176.....	3 25

NO.	PLATE	NAME	EACH
38447	6538	Looper Carrier Pitman Rod for 38441, use 46243.	\$ 10
1697E	6535	Looper Carrier Pitman Rod Nut (left) for 38441.	03
1698E	6535	Looper Carrier Pitman Rod Nut (right) for 38441.	03
38449	6540	Looper Carrier Rock Shaft for 62-25 and 62-35 Machines.	2 50
23738	6540	Looper Carrier Rock Shaft Hinge Pin for 62-25 and 62-35 Machines.	50
46357H	6531	Looper Eccentric Cover for 62-31 and 62-49 Machines, use 46336.	10
38454	6540	Looper Shaft Bracket for 62-25 to 62-28, 62-30, 62-32, 62-35 to 62-41, 62-46, 62-47 and 62-50 Machines, use 52553.	30
38451	6540	Looper Shaft and Feed Lifting Eccentric Bracket for 62-31 and 62-48 Machines, use 52553.	30
129E	6534	Looper Shaft Screw for 62-42 Machine.	04
38497	6538	Needle Bar (hollow) with 15588 for 38498	60
38498	—	Needle Bar complete for 62-35 Machine, Nos. 8569, 38497 and 38499, use 46052.	1 20
46068	—	Needle Bar complete for 62-37 Machine, Nos. 2273, 46067, 46069 and 46070, use 46165.	1 50
15261	6502	Needle Bar Stop Collar with 237E, for 62-45 Machine.	15
38499	6540	Needle Clamp with 38500 and two 1498F, for 38498.	60
46069	6540	Needle Clamp with 462E and 46071, for 46068, use 46166.	75
8569	6540	Needle Clamp Pin for 38498.	02
38500	6540	" " Thread Guide for 38499.	03
46071	6540	" " " " " " 46069.	02
46050	6494	" Guard for 62-31, 62-32 and 62-49 Machines.	75
38461	6510	Needle Guard for 62-25 Machine.	75
1498F	6511	" Set Screw for 38499.	02
904F	6504	" " " " 46053.	02
15588	6540	" Stop Pin for 38497.	01
38464	6494	Presser Bar Bushing (lower) for 62-45 Machine.	80
38467	6492	Presser Bar Spring (flat) for 62-35 Machine	50
52653	—	" Foot Plate for 52654.	1 00
38010	—	" " Shank for 38366.	60

NO.	PLATE	NAME	EACH
52654	6547	Presser Foot (hinged) complete for 62-49 Machine, Nos. 18055, 46361 and 52653, use 46362.	\$1 75
201D	6534	Presser Foot Screw for 62-25 and 62-35 Machines.	03
794E	6534	Ruffling Connecting Rod Adjusting Screw for 62-42 Machine.	05
46034	6496	Slack Thread Controller for 62-38 Machine.	05
50004D	6534	Slack Thread Controller Clamp Screw for 62-25, 62-28 and 62-35 Machines.	04
211F	6534	Slack Thread Controller Set Screw for 62-48 Machine.	02
46128	6525	Slack Thread Regulator for 62-15 Machine	1 50
46245	6531	" " " " " "	1 50
46129	6525	" " " Bracket with 190D and 1981, for 62-15 Machine.	1 25
46130	6525	Slack Thread Regulator Bushing for 62-45 Machine.	20
50040D	6525	Slack Thread Regulator Screw for 62-45 Machine.	07
166D	6525	Slack Thread Regulator Screw for 62-25, 62-26, 62-28, 62-35, 62-36 and 62-37 Machines.	07
46246	6540	Thread Guard (side of arm) for 62-45 Machine.	05
46046	2112	Threading Wire (Accessories) for 62-25 and 62-35 Machines, use 38487.	05
38209	6540	Thread (under) Nipper Eccentric with 465C, for 62-25 and 62-35 Machines.	50
465C	6497	Thread (under) Nipper Eccentric Set Screw for 38209.	02
46047	6510	Thread (under) Take-up Staple for 62-45 Machine.	50
38479	6538	Thread (under) Take-up Staple Bracket for 62-25 and 62-35 Machines.	2 00
910C	6497	Thread (under) Take-up Staple Bracket Screw for 38479.	03
38480	6540	Thread (under) Take-up Staple Spring for 62-25 and 62-35 Machines.	05
217D	6540	Thread (under) Take-up Staple Spring Screw for 38480.	03
590D	6497	Thread (under) Take-up Thread Guard (right) Screw for 62-35 Machine.	02
46248	6540	Thread (upper) Controller with 337D and 46249, for 62-45 Machine.	75



NO.	PLATE	NAME	EACH
46131	6525	Thread (upper) Controller for 62-45 Machine.....	\$1 50
38474	6496	Thread (upper) Controller Bushing for 62-45 Machine.....	20
46132	6525	Thread (upper) Controller Eyelet (left) for 62-45 Machine.....	35
207F	6525	Thread (upper) Controller Eyelet (left) Screw for 62-45 Machine.....	02
46133	6525	Thread (upper) Controller Eyelet (right) for 62-45 Machine.....	25
207F	6525	Thread (upper) Controller Eyelet (right) Screw for 62-45 Machine.....	02
46134	6525	Thread (upper) Controller Fork for 62-45 Machine.....	80
212c	6525	Thread (upper) Controller Fork Cap Screw for 62-45 Machine.....	04
46249	6540	Thread (upper) Controller Plate for 46248.....	10
337D	6515	Thread (upper) Controller Plate Screw for 46248.....	02
46131	6525	Thread (upper) Controller (right) for 62-38 Machine.....	1 50
38474	6496	Thread (upper) Controller (right) Bushing for 62-38 Machine.....	20
46134	6525	Thread (upper) Controller (right) Fork for 62-38 Machine.....	80
212c	6525	Thread (upper) Controller (right) Fork Cap Screw for 62-38 Machine.....	04
50041c	6535	Thread (upper) Controller (right) Fork Screw Stud for 62-38 Machine.....	12
1519E	6535	Thread (upper) Controller (right) Fork Screw Stud Nut for 62-38 Machine....	03
166D	6525	Thread (upper) Controller (right) Screw for 62-38 Machine.....	07
46009	6510	Thread (upper) Controller (right) Thread Eyelet for 62-38 Machine.....	25
190D	6497	Thread (upper) Controller (right) Thread Eyelet Screw for 62-38 Machine.....	03
166D	6525	Thread (upper) Controller Screw for 62-45 Machine.....	07
228D	6513	Thread (upper) Controller Screw for 62-45 Machine.....	02
46136	6525	Thread (upper) Take-up with 457c for 62-45 Machine.....	90
46250	6540	Thread (upper) Take-up for 62-45 Machine, use 52728.....	90

NO.	PLATE	NAME	EACH
457c	6496	Thread (upper) Take-up Set Screw for 46136.....	\$ 02
38095	6565	Throat Plate Slide for 46426.....	20
52526	6565	" " " " " ".....	25
46339	6565	" " for 46334, 46344, 52651 and 52652.....	1 50
52657	6565	Throat Plate for 52651, 52652, 52656 and 52658, use 52662.....	1 50
46426	6565	Throat Plate complete for 46065, Nos. 242D, 38094, 38096, 52526 and two 238D	2 00
NOTE: When ordering No. 46426 state required distance of trimmed edge from seam.			
46274	6566	Throat Plate (flush) with 665D and 46075, for 46267.....	2 00
46275	-----	Throat Plate Body for 46276 and 46277..	1 90
46276	-----	Throat Plate complete for 46267, for imitation cording and tucking, Nos. 665D, 23788, 23789, 46075 and 46275..	3 25
NOTE: When ordering No. 46276 give height of tongue.			
46277	6566	Throat Plate complete for 46267, for cording, Nos. 665D, 23787, 23789, 46075 and 46275.....	3 50
46139	6564	Throat Plate with two each 665D and 46075, for 46138.....	2 25
46137	6564	Throat Plate with two each 665D and 46075, for 46112.....	2 25
46308	6564	Throat Plate with two each 665D and 46075, for 46307.....	2 25
52748	6548	Throat Plate for 38428 for 62-51 Machine	3 00
602D	6499	Vibrating Presser Bar Lifting Bell Crank Driving Arm Slide Block Cap Screw for 46284.....	02

## NUMERICAL LIST OF PARTS

NO.	PLATE	NAME	EACH
22c	6515	Ruffling Lever Hinge Screw for 62-12 Machine .....	\$ 12
38d	6536	Knife Grinder Knife Screw for 41719 and 41720 .....	08
76d	6570	Strip Folder Hinge Screw for 36630 .....	06
87e	6503	Cutting Plate Hinge Screw for 46331 and 52636 .....	05
93n	4851	Presser Foot Tension Plate Screw for 36203	01
106d	2118	Welt Guide Switch Lever Hinge Screw for 35269 .....	04
110c	6519	Slack Thread Controller Hinge Screw for 62-11 and 62-17 Machines .....	04
123e	6191	Feed Rocking Frame Bracket Screw for all machines except 62-47 .....	06
123e	6191	Feed (lower) Rocking Frame Bracket Screw for 62-47 Machine .....	06
123e	6191	Looper Shaft Bracket Screw for all machines except 62-31, 62-48 and 62-49	06
123e	6191	Looper Shaft and Feed Lifting Eccentric Bracket Screw for 62-31 and 62-48 Machines .....	06
123e	6191	Looper Shaft and Feed (back) Lifting Eccentric Bracket Screw for 62-49 Machine .....	06
127e	6534	Under Driver Oil Cup Screw for 27641.	04
127e	6534	Ruffling Connecting Rod Cap Screw for 46489 .....	04
129d	6531	Feed (front) Lifting Rock Shaft Bracket Screw (back) for 46430 and 52646 .....	04
129e	6193	Looper Carrier Rock Shaft Hinge Pin Set Screw .....	04
129e	6534	Looper Shaft Screw for 62-12 Machine, obsolete .....	04
129d	6534	Oil Cup (back of arm) Screw for 62-45 Machine .....	04
129d	6534	Ruffler Shaft Bracket (front) Screw (long) for 46464 .....	04
129e	6534	Ruffling Shaft Bracket (right) Screw for 62-29 Machine .....	04
131b	6531	Folder Adjusting Screw for 36411 .....	01
131d	6503	Cutting Plate Bracket Holder Screw for 62-30 Machine .....	05

NO.	PLATE	NAME	EACH
134b	6503	Knife (movable) Connection Crank Bracket Screw for 62-31 and 62-49 Machines.....	\$ 05
134b	6503	Ruffling Shaft Bracket (back) Screw for 46464.....	05
136b	6520	Ruffling Driving Crank Slide Block Pin Holder Screw for 52697.....	04
138E	1101	Under Driver Dress Guard Screw for 27644.....	05
144b	6534	Arm Rotary Shaft Screw.....	08
145b	6518	Ruffling Separating Blade Bar Handle Clamping Screw for 52509.....	04
145b	6521	Ruffling Shaft Crank (left) Clamping Screw for 52713.....	04
155c	6534	Thread Unwinder Spool Pin Set Screw for 41435, 41531 and 41535.....	03
157b	6534	Cloth Plate Extension Screw for 52687.....	04
157b	6534	Feed Dog Screw for 62-25, 62-26, 62-32, 62-36 to 62-38, 62-40, 62-42, 62-45, 62-46 and 62-50 Machines.....	04
157E	6526	Feed (upper) Shaft Crank (back) Clamping Screw for 52594.....	04
157b	6505	Lifting Presser Bar Guide Bracket Clamping Screw for 46421.....	04
157b	6505	Lifting Presser Bar Lifting Bracket Clamping Screw for 46421.....	04
157b	6499	Vibrating Presser Bar Lifting Bell Crank Driving Arm Clamping Screw for 46284.....	04
158E	6534	Crank Connecting Rod Cap Screw for 38422, obsolete.....	03
159F	6493	Arm Rotary Shaft Flanged Bushing Screw.....	03
159E	6493	Looper Carrier Rock Shaft Crank Clamping Screw for 38450.....	03
162b	4848	Binder Ribbon Tension Bracket Screw for 36305 and 36498.....	04
166b	6525	Slack Thread Regulator Screw for 62-25, 62-26, 62-28, 62-35, 62-36 and 62-37 Machines, obsolete.....	07
166b	6525	Thread (upper) Controller Screw for 62-46 Machine and obsolete for 62-45 Machine.....	07
166b	6525	Thread (upper) Controller (right) Screw for 62-38 Machine, obsolete.....	07
171b	6503	Cutting Plate Bracket Screw (upper) for 62-30 Machine.....	03
171b	6534	Face Plate Screw for 62-27, 62-32, 62-41, 62-44 and 62-47 Machines.....	03

NO.	PLATE	NAME	EACH
171E	6534	Looper Bell Crank Pitman Cap (lower) Screw for 46233 and 46317.....	\$ 03
171E	6534	Looper Bell Crank Pitman Cap (upper) Screw for 46234 and 46318.....	03
171E	6534	Looper Carrier Pitman Cap (left) Screw for 46241.....	03
171E	6534	Looper Carrier Pitman Cap (right) Screw for 46242.....	03
171F	6541	Roller Needle Guard Set Screw for 24000, 38286, 52670 and 52671.....	03
171b	6516	Ruffling Lever Arm Lifting Bracket Clamping Screw for 46497.....	03
172c	6496	Feed Dog Screw for 62-31 Machine, obsolete.....	04
172c	6496	Feed (back) Dog Screw for 62-49 Machine.....	04
172c	6496	Slack Thread Regulator Bracket Clamping Screw for 38473.....	04
174b	6534	Feed (front) Connecting Rod Adjusting Screw for 46442.....	02
174b	6534	Feed (front) Connecting Rod Hinge Screw Clamping Screw for 46441.....	02
175b	6493	Looper Carrier Rock Shaft Adjusting Screw for 46042.....	02
175b	6582	Ruffling Arm Adjusting Screw for 52806.....	02
175b	6534	Slack Thread Controller Bracket Screw for 62-44 and 62-47 Machines.....	02
176b	6494	Arm Side Cover (upper) Screw.....	03
176b	6503	Cutting Plate Bracket Screw (lower) for 62-30 Machine.....	03
176b	6494	Needle Guard Screw for 62-25 to 62-27, 62-30 to 62-32, 62-37 and 62-39 Machines.....	03
176b	6494	Needle Guard (back) Screw for 62-35, 62-36, 62-42 to 62-44 and 62-47 Machines.....	03
176b	6494	Presser Foot Screw for 62-28, 62-40 and 62-46 Machines.....	03
176b	6495	Roller Arm Lock Spring Screw for 24000, 38012, 38286, 46252, 46253, 52670 and 52671.....	03
176b	6497	Thread (under) Nipper Spring Screw.....	03
177c	6521	Ruffling Shaft Crank (left) Set Screw for 52713.....	04
178F	6502	Feed (back) Connecting Rod Hinge Pin Bushing Clamping Screw for 46154.....	03
178b	6502	Feed (front) Lifting Rock Shaft Crank (front) Clamping Screw for 46448.....	03
178F	6504	Knife Bracket Holder Clamping Screw for 46355.....	03

NO.	PLATE	NAME	EACH
178F	6518	Ruffling Separator Blade Bar Handle Plate Screw for 62-42 Machine.....	\$ 03
185H	4848	Binder Ribbon Tension Bracket Clamping Screw for 35726.....	02
187D	6532	Looper Bell Crank Pitman Cap (lower) Screw for 38437 and 46101.....	02
187D	6532	Looper Bell Crank Pitman Cap (upper) Screw for 38437 and 46101.....	02
187E	6532	Looper Carrier Pitman Cap (left) Screw for 38445.....	02
187E	6532	Looper Carrier Pitman Cap (right) Screw for 38446.....	02
190D	6496	Arm Side Cover (upper) Screw for 62-25, 62-26, 62-35 to 62-40, 62-45 and 62-46 Machines, obsolete.....	03
190D	6503	Cutting Lever Adjusting Slide Screw for 46331 and 52636.....	03
190C	6496	Knife Holder Screw for 62-48 Machine....	03
190D	4849	Lap Seam Guide Screw for 36384.....	03
190D	6496	Lifting Presser Foot Screw for 62-27, 62-41, 62-44 and 62-47 Machines.....	03
190D	6496	Needle Guard Screw for 62-28, 62-29, 62-40, 62-41 and 62-48 to 62-51 Machines	03
190D	6496	Needle Guard (back) Screw for 62-53 Machine.....	03
190D	6532	Oil Cup (front of arm) Screw for 62-45 Machine.....	03
190D	6532	Oil Cup Screw for 62-50 Machine.....	03
190D	6496	Presser Foot Screw for 62-25, 62-26, 62-29 to 62-31, 62-35 to 62-39, 62-42, 62-43, 62-45, 62-48, 62-49, 62-51 and 62-53 Machines.....	03
190D	6496	Roller Presser Screw for 62-25, 62-26, 62-37 and 62-50 Machines.....	03
190D	6582	Ruffling Arm Clamping Screw for 38179..	03
190D	6496	" Shaft Bracket (left) Screw for 62-29 Machine.....	03
190D	6496	Slack Thread Controller Clamp Screw for 62-25, 62-26, 62-28, 62-29, 62-35 to 62-38, 62-42, 62-43, 62-45, 62-46, 62-50 and 62-53 Machines.....	03
190D	6525	Slack Thread Regulator Bracket Clamping Screw for 46129.....	03
190D	6480	Tape Holder Set Screw for 35827.....	03
190D	6497	Thread (upper) Controller (right) Thread Eyelet Screw for 62-38 Machine, obsolete.....	03

NO.	PLATE	NAME	EACH
190D	6497	Thread (under) Eyelet (back) Screw....	\$ 03
190D	6496	" (upper) Eyelet Screw for 62-25 to 62-32, 62-35 to 62-37, 62-39 to 62-44, 62-47 to 62-49, 62-51 and 62-53 Machines.....	03
190D	6497	Thread (under) Take-up Staple Spring Screw.....	03
190D	4849	Welt Guide Screw for 35269.....	03
191C	6534	Feed Dog Screw for 62-30 Machine.....	03
191C	6504	Knife (stationary) Adjusting Lever Screw for 46356.....	03
193F	6585	Looper (back) Carrier Screw for 52779....	03
193F	6500	Slack Thread Controller Set Screw for 62-27, 62-30 to 62-32, 62-39 to 62-41, 62-48, 62-49 and 62-51 Machines.....	03
194D	6535	Binder Bracket Screw Stud for 36306....	02
196F	6491	Feed Eccentric Set Screw for 38128, 46452 and 52731.....	02
196F	6491	Feed (lower) Eccentric Set Screw for 38128.....	02
196F	6491	Feed (upper) Eccentric Set Screw for 52592.....	02
196F	6506	Knife Clamping Screw for 46412.....	02
196E	6491	Looper Bell Crank Pitman Cap (lower) Screw for 38445, obsolete.....	02
196E	6491	Looper Bell Crank Pitman Cap (upper) Screw for 38446, obsolete.....	02
196E	6491	Looper Carrier Pitman Cap (left) Screw for 38445, obsolete.....	02
196E	6491	Looper Carrier Pitman Cap (right) Screw for 38446, obsolete.....	02
197D	6532	Feed (front) Lifting Rock Shaft Crank (front) Adjusting Screw for 46448.....	02
197D	6569	Ruffling Blade Tripping Arm Screw for 52804.....	02
197D	6570	Strip Folder Ruffling Blade Tripping Arm Screw for 36630.....	02
199F	6505	Lifting Presser Bar Bell Crank Cap Screw for 62-32 Machine.....	04
199F	6505	Lifting Presser Bar Bell Crank Connecting Link Cap Screw for 62-32 Machine.....	04
199D	6526	Feed (upper) Bar Cap Screw for 62-47 Machine.....	04
199D	6505	Feed (upper) Bar Lifting Bell Crank Cap Screw for 62-47 Machine.....	04

NO.	PLATE	NAME	EACH
199D	6526	Feed (upper) Bar Lifting Bell Crank Connecting Link Cap Screw for 62-47 Machine.....	\$ 04
199F	6505	Vibrating Presser Bar Cap Screw for 62-32 Machine.....	04
201D	6534	Presser Foot Screw for 62-25 and 62-35 Machines, obsolete.....	03
202F	6506	Knife Holder Body Clamping Screw for 46415.....	02
203C	6534	Feed (front) Dog Screw for 62-49 Machine, obsolete.....	03
203F	6534	Feeding Foot Screw for 62-47 Machine..	03
203D	6504	Knife (movable) Connection Extension Screw for 62-31 and 62-49 Machines...	03
203D	6504	Knife (stationary) Stop Adjusting Screw (lower) for 46356.....	03
203D	6504	Knife (stationary) Stop Adjusting Screw (upper) for 46356.....	03
203D	6534	Lifting Presser Foot Screw for 62-32 Machine.....	03
203D	6534	Vibrating Presser Foot Screw for 62-27, 62-32, 62-41 and 62-44 Machines.....	03
206F	6534	Knife Holder Adjusting Bracket Screw for 46413, obsolete.....	02
206F	6534	Knife Holder Screw for 46413, obsolete..	02
206D	6534	" Support Screw for 62-48 Machine.	02
206D	6534	Needle Guard (front) Screw for 62-35, 62-36, 62-42 to 62-47 and 62-53 Machines	02
206F	6513	Slack Thread Regulator Arm Screw for 62-38 Machine.....	02
206F	6496	Thread (upper) Controller Screw for 62-25 to 62-32, 62-35 to 62-37, 62-39 to 62-44, 62-47 to 62-49, 62-51 and 62-53 Machines.....	02
207D	6497	Feed (front) Dog Screw for 62-28 Machine	02
207D	6497	Thread (under) Take-up Stripper Sew..	02
207D	6497	" " " Thread Guard (left) Screw.....	02
207D	6497	Thread (under) Take-up Thread Guard (right) Screw.....	02
207F	6503	Cutting Lever Cap Screw for 46331 and 52636.....	02
207F	6503	Cutting Plate Adjusting Slide Screw for 46331 and 52636.....	02
207F	6525	Thread (upper) Controller Eyelet (left) Screw for 62-46 Machine and obsolete for 62-45 Machine.....	02

NO.	PLATE	NAME	EACH
207F	6525	Thread (upper) Controller Eyelet (right) Screw for 62-46 Machine and obsolete for 62-45 Machine.....	\$ 02
208E	6532	Thread Unwinder Thread Guard Screw for 41631 to 41633.....	02
211F	6534	Face Plate Screw for 62-42 Machine and obsolete for 62-25, 62-26 and 62-35 to 62-37 Machines.....	02
211F	6534	Slack Thread Controller Set Screw for 62-48 Machine, obsolete.....	02
212D	6506	Knife Bar Connecting Link Cap Screw for 62-32 Machine.....	04
212D	6505	Lifting Presser Bar Bell Crank Driving Arm Connection Cap Screw for 62-32 Machine.....	04
212C	6525	Thread (upper) Controller Fork Cap Screw for 62-46 Machine and obsolete for 62-45 Machine.....	04
212C	6525	Thread (upper) Controller (right) Fork Cap Screw for 62-38 Machine, obsolete	04
212F	6499	Vibrating Presser Bar Cap Screw for 62-27, 62-41 and 62-44 Machines.....	04
212F	6499	Vibrating Presser Bar Lifting Bell Crank Cap Screw for 62-27, 62-41 and 62-44 Machines.....	04
217D	6540	Thread (under) Take-up Staple Spring Screw for 38480, obsolete.....	03
218B	6532	Folder Adjusting Screw for 36027.....	02
219F	4849	Binder Plate Screw for 36476.....	02
219F	4849	" Ribbon Tension Screw for 25717.	02
220D	6515	Ruffling Regulating Stud Nut Handle Clamping Screw for 46499.....	02
223D	6500	Knife Bar Guide Bar Connecting Stud Clamping Screw for 46410, obsolete...	02
223F	6562	Presser Foot Guide (left) Set Screw for 46193.....	02
223D	6500	Thread (upper) Take-up Clamping Screw for 46171 and 46312.....	02
225F	6533	Oil Cup Screw for 62-26, 62-27, 62-39 and 62-47 Machines.....	03
225F	6533	Oil Cup (tension) Screw for 62-35, 62-37, 62-41 and 62-44 Machines.....	03
226D	6582	Ruffling Blade Holder Cap Screw for 52807.....	02
228D	6513	Thread (upper) Controller Screw for 62-38 Machine and obsolete for 62-45 Machine.....	02

NO.	PLATE	NAME	EACH
228D	6513	Thread (upper) Take-up Screw for 62-38, 62-45 and 62-50 Machines.....	\$ 02
229D	6499	Looper Needle Guard Screw for 62-27, 62-28, 62-30 to 62-32, 62-37 to 62-41, 62-48 and 62-49 Machines.....	02
229D	6499	Looper (front) Needle Guard Screw for 62-45 Machine.....	02
230H	4852	Edge Folder Screw for 36360 and 36361..	02
230H	4852	" Guide Screw for 36364.....	02
231C	6534	Feed Bar Set Screw for 38425 and 46332.	03
231C	6534	" (back) Bar Set Screw for 38425 and 46332.....	03
231C	6534	Feed (lower) Bar Set Screw for 38425...	03
233D	6477	Presser Foot Guide Screw for 35993 and 36350.....	02
237F	6502	Knife Bar Guide Bar Connecting Stud Set Screw for 46409, obsolete.....	02
237F	1105	Knife Grinder Knife Holder Stop Collar Set Screw for 27659.....	02
237F	6502	Needle Bar Stop Collar Set Screw for 15261 and 46378.....	02
237F	6502	Presser Bar Stop Collar Set Screw for 15261.....	02
238D	6548	Throat Plate Cutting Bar Screw for 46426 and 52727.....	02
238D	2148	Welt Guide Cap Screw for 35269.....	02
240D	2148	" " Slide Stop Screw for 35269.....	02
240D	2148	" " Width Guide Screw for 35269.....	02
242D	6541	Roller Needle Guard Edge Guide Screw for 38081, obsolete.....	02
242D	6548	Throat Plate Slide Spring Screw for 46426 and 52727.....	02
261D	1105	Cutter Grinder Cutter Regulating Thumb Screw for 27934.....	12
261D	1105	Knife Grinder Knife Regulating Thumb Screw for 41721.....	12
283D	6521	Ruffling Regulator Thumb Screw for 62-43 Machine.....	10
286D	6535	Arm Side Cover (lower) Thumb Screw...	10
286D	6535	" " " (upper) Thumb Screw for 62-27, 62-30, 62-31 and 62-41 Machines, obsolete.....	10
286D	6535	Cloth Plate Slide (right) Thumb Screw for 46079, 46097, 46324, 46401, 52611 and 52650.....	10
286D	4875	Cutter Grinder Cutter Holder Stop Thumb Screw for 27934.....	10

NO.	PLATE	NAME	EACH
286D	6535	Face Plate Thumb Screw for 62-25, 62-26, 62-28 to 62-31, 62-35 to 62-40, 62-43, 62-45, 62-46, 62-48 to 62-51 and 62-53 Machines.....	\$ 10
286D	6535	Guide Thumb Screw for 62-25, 62-26, 62-32 and 62-38 Machines.....	10
286D	6480	Tape Holder Tension Adjusting Collar Thumb Screw for 26073 and 35826.....	10
287D	6506	Knife Bar Cap Screw for 62-32 Machine..	10
288D	6480	Tape Holder Tension Spring Thumb Screw for 35917.....	05
310F	1105	Cutter Grinder Emery Wheel Shaft Screw Centre for 27934.....	08
310F	1105	Cutter Grinder Cutter Holder Bracket Screw Centre for 27934.....	08
310F	1105	Knife Grinder Emery Wheel Shaft Screw Centre for 41721.....	08
310F	1105	Knife Grinder Knife Holder Guide Bar Bracket Screw Centre for 41721.....	08
315C	2642	Under Driver Driving Pulley Set Screw for 27756.....	04
316F	6495	Roller Arm Screw Centre for 24000, 38012, 38286, 46252, 46253, 52670 and 52671..	03
316F	6509	Vibrating Presser Bar Spring Stop Screw for 46402 and 52533.....	03
330D	6519	Cloth Plate Chute Screw for 52611.....	02
330E	6519	" " Slide (large) Spring Bracket (back) Screw for 52687.....	02
330E	6519	Cloth Plate Slide (large) Spring Bracket (front) Screw for 52687.....	02
335D	6500	Feed Lifting Eccentric Cover Screw for 62-25 to 62-27, 62-29, 62-32, 62-35 to 62-46, 62-50, 62-51 and 62-53 Machines	02
335D	6500	Feed (back) Lifting Eccentric Cover Screw for 62-28 Machine.....	02
335D	6500	Feed (lower) Lifting Eccentric Cover Screw for 62-17 Machine.....	02
335H	6506	Knife Holder Adjusting Bracket Screw for 46413.....	02
335H	6506	Knife Holder Screw for 46413.....	02
335D	6500	Looper Eccentric Cover Screw for 62-30, 62-31 and 62-49 Machines.....	02
337D	6549	Presser Foot Guide Screw for 52722.....	02
337D	6549	" " " " (back) for 46299, 46303 and 52582.....	02
337D	6561	Presser Foot Guide (left) Screw for 46173	02
337D	6561	" " " (right) Screw for 46126	02

NO.	PLATE	NAME	EACH
337D	6515	Ruffling Regulating Stud Stop Screw for 62-42 Machine.....	\$ 02
337D	6515	Thread (upper) Controller Plate Screw for 46248, obsolete.....	02
348c	2642	Under Driver Dress Guard Screw for 27770.....	06
354c	1101	Under Driver Treadle Pitman Rod Clamp Screw for 9079.....	06
356c	6535	Rock Shaft Knee Arm Hub Set Screw for 2766.....	06
356c	6535	Rock Shaft Knee Plate Set Screw for 2767.....	06
356c	6535	Rock Shaft Lifting Bracket Hook Set Screw for 6337.....	06
356c	6535	Rock Shaft Lifting Bracket Set Screw for 6337.....	06
356c	6535	Rock Shaft Stop Dog Set Screw for 2770.....	06
356c	6535	Under Driver Driving Pulley Hollow Stud Set Screw for 27644.....	06
362F	2642	Under Driver Treadle Stop Collar Set Screw for 2762.....	05
372c	6534	Crank Connecting Rod Hinge Screw for 62-25 to 62-27, 62-30, 62-31, 62-35 to 62-41, 62-45 and 62-46 Machines, obsolete.....	12
378c	6518	Ruffling Connecting Link Hinge Screw for 62-42 Machine.....	10
381D	6534	Tension (upper thread, automatic) Plate Screw for 46370 and 52740.....	06
391F	6506	Knife Bar Connecting Link Hinge Bracket Screw for 62-32 Machine.....	02
391D	6494	Looper Shaft Screw for all machines except 62-31, 62-48 and 62-49.....	02
391D	6494	Looper Shaft and Feed Lifting Eccentric Screw for 62-31 and 62-48 Machines...	02
391D	6494	Looper Shaft and Feed (back) Lifting Eccentric Screw for 62-49 Machine.....	02
391E	6494	Needle Bar Connecting Stud Clamping Screw for 38460, 46206 and 46425.....	02
427E	1101	Under Driver Lever Centre Plug Adjusting Screw for 27644.....	08
430c	6534	Balance Wheel Ruffling Eccentric Set Screw for 52800.....	04
430c	6534	Balance Wheel Set Screw for 23873 and 46220.....	04
433c	1101	Under Driver Driving Pulley Screw Centre Bearing for 27630.....	08

NO.	PLATE	NAME	EACH
440F	6495	Roller Arm Adjusting Screw for 24000, 38012, 38286, 46252, 46253, 52670 and 52671.....	\$ 03
440F	6506	Knife Bar Guide Bar Set Screw for 62-32 Machine.....	03
440c	6520	Ruffling Driving Crank Slide Block Pin Set Screw for 52703.....	03
442c	6509	Vibrating Presser Bar Stop Adjusting Screw for 52533.....	03
443c	6491	Arm Rock Shaft Crank (front) Set Screw for 38412 and 46280.....	03
443c	6491	Feed Eccentric Body Set Screw for 38128, 46451 and 52731.....	03
443c	6491	Feed (lower) Eccentric Body Set Screw for 38128.....	03
443c	6491	Looper Bell Crank Hinge Stud Set Screw	03
446c	6527	Feed (upper) Eccentric Body Set Screw for 52592.....	03
448c	6502	Arm Rock Shaft Crank (front) Set Screw for 46399.....	03
448c	6520	Ruffling Driving Crank Set Screw for 52696.....	03
448c	6516	Ruffling Eccentric Set Screw for 46492 and 52704.....	03
448c	6521	Ruffling Shaft Crank (right) Set Screw for 52714.....	03
453c	6504	Knife (movable) Connection Crank Hinge Stud Set Screw for 46348.....	02
453c	6494	Presser Bar Lifting Bracket Set Screw for 38466 and 46482.....	02
453c	6518	Ruffling Regulator Bushing Set Screw for 62-42 Machine.....	02
453c	6518	Ruffling Regulator Crank Set Screw for 52504.....	02
453c	6518	Ruffling Shaft Crank (front) Set Screw for 52518.....	02
453c	6518	Ruffling Separating Blade Bar Bracket (lower) Set Screw for 52507.....	02
453c	6518	Ruffling Separating Blade Bar Bracket (upper) Set Screw for 52508.....	02
453c	6524	Thread (upper) Controller Roller Bracket Set Screw for 46393.....	02
453c	6518	Thread Unwinder Thread Guard Rod Set Screw for 27940.....	02
454c	6502	Feed Eccentric Collar Set Screw for 46453	02
454c	6516	Ruffling Lever Arm Set Screw for 46495.	02
456c	6515	Ruffling Shaft Collar Set Screw for 20251	02

NO.	PLATE	NAME	EACH
456c	6515	Thread Unwinder Thread Guard Rod Coupling Set Screw for 41639.....	\$ 02
457c	6491	Arm Rotary Shaft Collar Set Screw for 38329.....	02
457c	6505	Feed (upper) Bar Lifting Bell Crank Driving Arm Connection Hinge Stud Set Screw for 46399.....	02
457c	6519	Knife Bar Eccentric Set Screw for 46350.	02
457c	6504	" (movable) Eccentric Set Screw for 46350 and 52742.....	02
457c	6505	Lifting Presser Bar Bell Crank Driving Arm Connection Hinge Stud Set Screw for 46399.....	02
457F	6522	Needle Clamp Collar Set Screw for 46119	02
457F	6522	" Set Screw for 46119.....	02
457c	6520	Ruffling Driving Crank Shaft Collar Set Screw for 52700.....	02
457c	6582	Ruffling Shaft Collar Set Screw for 21506	02
457c	6519	Slack Thread Controller Connection Set Screw for 52540.....	02
457c	6496	Thread (upper) Take-up Set Screw for 38485, 46010 and 46136.....	02
460c	4875	Cutter Grinder Cutter Holder Collar Set Screw for 27931.....	02
460c	6534	Feed Dog Stop Screw for 38425.....	02
460c	6534	" (back) Dog Stop Screw for 38425...	02
460c	6534	" (lower) Dog Stop Screw for 38425...	02
460c	6534	Oil Cup (back of arm) Cover Thread Guide Set Screw for 46196.....	02
460c	6515	Ruffling Blade Holder Stop Set Screw for 52507.....	02
462F	6506	Needle Clamp Screw for 46069 and 46166	02
465c	6497	Feed Bar Set Screw for 38425, obsolete.	02
465c	6491	" Lifting Eccentric Set Screw for 38429.....	02
465c	6491	Feed (back) Lifting Eccentric Set Screw for 38429.....	02
465c	6491	Feed (lower) Lifting Eccentric Set Screw for 38429.....	02
465c	6491	Feed Rocking Frame Hinge Pin Set Screw for 38432 and 52613.....	02
465c	6491	Feed (lower) Rocking Frame Hinge Pin Set Screw for 38432.....	02
465c	6491	Lifting Presser Bar Lifter Hinge Stud Set Screw for 62-47 Machine.....	02
465c	6493	Looper Eccentric Set Screw for 38452 and 46149.....	02

NO.	PLATE	NAME	EACH
465c	6497	Thread (under) Nipper Cam Set Screw for 46049.....	\$ 02
465c	6497	Thread (under) Nipper Eccentric Set Screw for 38209, obsolete.....	02
465c	6497	Thread (under) Take-up Set Screw for 38475, 46210 and 46389.....	02
574b	6536	Knife Grinder Knife Holder Adjusting Thumb Screw for 41719 and 41720.....	15
574b	6536	Pressure Regulating Thumb Screw.....	15
578F	6532	Oil Cup (back of arm) Cover Spring Screw for 46202.....	02
578b	6515	Ruffling Blade Screw for 62-42 Machine.	02
590b	6493	Looper Thread Guard Screw for 38431, 46066, 46203, 46335 and 52618.....	02
590b	6510	Looper (back) Thread Guard Screw for 38493, 46114, 46375, 46171, 52536 and 52771.....	02
590b	6497	Thread (under) Take-up Staple Thread Guard Screw for 38478.....	02
590b	6497	Thread (under) Take-up Thread Guard (right) Screw for 62-35 Machine, obsolete.....	02
590b	2148	Welt Guide Bed Spring Cap Screw for 35269.....	02
597c	2642	Under Driver Shaft Driving Pulley Clamping Screw for 27070.....	08
602b	6499	Vibrating Presser Bar Lifting Bell Crank Driving Arm Roller Cap Screw for 46284.....	02
602b	6499	Vibrating Presser Bar Lifting Bell Crank Driving Arm Slide Block Cap Screw for 46284, obsolete.....	02
621b	6521	Ruffling Regulator Connection Hinge Stud Screw for 62-43 Machine.....	02
624c	6520	Ruffling Regulator Set Screw for 52706...	03
624c	6520	" Shaft Crank (right) Slide Block Pin Set Screw for 52711.....	03
637F	6496	Cord Tension Screw Stud for 62-40 Machine.....	08
641b	6502	Feed Eccentric Adjusting Screw Plate Screw for 46452.....	03
646c	6506	Knife Bar Connecting Link Hinge Stud for 62-32 Machine.....	02
647b	6534	Feed (front) Lifting Rock Shaft Crank (back) Clamping Screw for 46446.....	03
647b	6521	Ruffling Regulator Handle Clamping Screw for 52709.....	03



NO.	PLATE	NAME	EACH
649E	6532	Under Driver Belt Guard Screw for 27644	\$ 05
652D	6495	Roller Screw for 1868, 1923, 1985 and 1986	08
662D	4848	Binder Tension Spring Screw for 36498..	02
662D	6552	Presser Foot Guide Screw for 46167.....	02
662D	6582	Ruffling Regulating Screw Stud Stop Screw for 52811.....	02
662D	6518	Ruffling Separating Blade Screw for 62-42 Machine.....	02
664D	6556	Presser Foot Edge Guide Screw for 36532	02
664D	6556	" " " " (lower) Screw for 36540.....	02
664D	6520	Ruffling Separating Blade Screw for 52718.....	02
665D	6522	Needle Bar Stop Collar Connection Screw for 62-45 and 62-50 Machines.....	02
665D	6532	Oil Cup (back of arm) Cover Stripper Screw for 46202.....	02
665D	6556	Presser Foot Edge Folder Screw for 36532.....	02
665D	6556	Presser Foot Edge Folder (lower) Screw for 36537.....	02
665D	6556	Presser Foot Edge Folder (upper) Screw for 36537.....	02
665D	6556	Presser Foot Edge Guide (upper) Screw for 36540.....	02
665D	6549	Presser Foot Guide Screw (front) for 46299, 46303 and 52582.....	02
665D	6556	Presser Foot Ruffle Retaining Blade Screw for 36532, 36537 and 36540.....	02
665D	6520	Ruffling Blade Screw for 62-29 and 62-43 Machines.....	02
665D	6542	Throat Plate Cutting Bar Screw for 52628	02
665D	6542	" " Thread Retainer Screw for 36007, 46074, 46094, 46095, 46137, 46139, 46172, 46194, 46258, 46274, 46276, 46277, 46308, 46394, 46395, 46460, 52666 to 52668 and 52785.....	02
690D	6534	Thread (under) Take-up Staple Bracket Screw.....	05
691F	6534	Cloth Plate Bracket Screw for 62-28 Machine.....	04
691F	6534	Cloth Plate Screw for 62-28 and 62-43 Machines.....	04
691F	6534	Cloth Plate Screw (left) for all machines except 62-28 and 62-43.....	04
691F	6534	Cloth Plate Support Bracket Screw for 62-43 Machine.....	04

NO.	PLATE	NAME	EACH
691F	6534	Throat Plate Screw for all machines except 62-43.....	\$ 04
691F	6534	Throat Plate Screw (back) for 62-43 Machine.....	04
701c	6531	Feed (back) Dog Screw for 62-28 Machine and obsolete for 62-49 Machine.....	04
701c	6499	Lifting Presser Bar Lifting Bracket Clamp- ing Screw for 46282 and 52548.....	01
701c	6529	Slack Thread Regulator Bracket Clamp- ing Screw for 52569.....	01
723D	6535	Guide Thumb Screw for 62-25 Machine, obsolete.....	08
724c	6527	Lifting Presser Bar Lifting Bracket Con- necting Link Hinge Screw for 62-47 Machine.....	05
725H	6500	Cloth Plate Slide (large) Spring Screw for 38417, 46108, 46255, 46265, 46470, 52528 and 52686.....	02
725H	6500	Cloth Plate Slide (small) Spring Screw for 38420 and 46437.....	02
725H	6500	Cloth Plate Slide (large) Spring (left) Screw for 46435.....	02
725H	6500	Cloth Plate Slide (large) Spring (right) Screw for 46435.....	02
725H	6500	Cloth Plate Slide (left) Spring Screw for 38420, 46323H, 46462 and 52649H.....	02
725J	6569	Presser Foot Guide Screw for 52804.....	02
733D	6506	Knife Bar Coupling Pin Bushing for 46407.....	08
735F	6511	Needle Set Screw for 46269.....	02
735c	6499	Vibrating Presser Bar Stop Adjusting Screw for 46281 and 46402.....	02
736D	6480	Tape Holder Set Screw for 28809.....	10
777c	6535	Looper Bell Crank Pitman Ball Screw Stud (lower) for 62-46 Machine and obsolete for 62-25 to 62-27, 62-30, 62-31, 62-35 to 62-37, 62-39 to 62-41 and 62-45 Machines.....	12
777c	6535	Looper Bell Crank Pitman Ball Screw Stud (upper) for 62-25 to 62-27, 62-30, 62-31, 62-35 to 62-37 and 62-39 to 62-41 Machines, obsolete.....	12
793D	6480	Tape Holder Shaft Bushing Thumb Screw for 35917.....	08
794E	6534	Ruffling Connecting Rod Adjusting Screw for 62-42 Machine, obsolete.....	05

NO.	PLATE	NAME	EACH
797c	6516	Ruffling Shaft Crank (back) Set Screw for 52517.....	\$ 03
802d	6535	Lifting Lever Hinge Screw for 23768, 23769, 38385, 46263, 52522 to 52524, 52549 to 52551 and 52604 to 52606.....	10
812d	6520	Ruffling Blade Holder Spring Adjusting Screw for 62-43 Machine.....	06
857h	6506	Knife Bar Guide Set Screw for 52525.....	02
857h	6534	Needle Set Screw for 38008 and 38455.....	02
871d	6535	Lifting Lever Stop Screw for 52549 to 52551.....	01
878d	2641	Under Driver Cone Pulley Oil Hole Stop Screw for 27750.....	06
892c	6494	Lifting Presser Bar Lifting Bracket Adjusting Screw for 46282 and 46121.....	05
892c	6494	Lifting Presser Bar Guide Bracket Adjusting Screw for 46121.....	05
892c	6494	Presser Bar Lifting Bracket Adjusting Screw for 38466 and 46482.....	05
896E	6534	Crank Connecting Rod Cap (lower) Screw for 46221.....	01
896E	6534	Feed (upper) Bar Lifting Bell Crank Driving Arm Shaft Bracket Screw for 52589.....	01
896E	6534	Feed Connecting Rod Cap Screw for 38427.....	01
896E	6534	Feed (back) Connecting Rod Cap Screw for 38427.....	01
896E	6534	Feed (lower) Connecting Rod Cap Screw for 38427.....	01
896E	6534	Feed (upper) Connecting Rod Cap Screw for 52589.....	01
896E	6505	Lifting Presser Bar Bell Crank Driving Arm Shaft Bracket Screw for 62-32 Machine.....	04
896E	6534	Ruffling Regulator Connecting Rod Cap Screw for 52812.....	01
898d	6534	Feed Dog Screw for 62-27, 62-29, 62-31, 62-35, 62-39, 62-41, 62-43, 62-44, 62-48 and 62-51 Machines.....	01
898d	6534	Feed (lower) Dog Screw for 62-47 Machine	01
898d	6534	Knife Bracket Screw for 62-31 and 62-49 Machines.....	01
904c	6504	Knife (movable) Connection Hinge Pin Set Screw for 46346 and 52741.....	02
904c	6504	Feed (upper) Connecting Rod Hinge Pin Set Screw for 52589.....	02

NO.	PLATE	NAME	EACH
904F	6504	Needle Set Screw for 46053, obsolete.....	\$ 02
910F	4849	Binder Adjusting Screw for 36473.....	03
910c	6520	Ruffling Blade Holder Stop Screw for 62-43 Machine.....	03
910c	6497	Thread (under) Take-up Staple Bracket Screw for 38479, obsolete.....	03
910c	6497	Thread (under) Take-up Staple Stop Screw for 46040 and 52717.....	03
910F	2148	Welt Guide Adjusting Screw for 35269.....	03
916F	6496	Tension (under thread) Screw Stud.....	08
916F	6496	“ (upper thread) Screw Stud.....	08
922d	6535	Cloth Plate Slide (right) Thumb Screw for 46079, obsolete.....	10
934d	6491	Feed Eccentric Pressure Spring Cap Screw for 38128 and 52731.....	02
934d	6491	Feed (lower) Eccentric Pressure Spring Cap Screw for 38128.....	02
934d	6491	Feed (upper) Eccentric Pressure Spring Cap Screw for 52592.....	02
939d	4875	Cutter Grinder Cutter Holder Clamp Thumb Screw for 27934.....	10
949E	6531	Ruffling Frame Screw for 52679.....	06
957d	6531	Lifting Lever Link Hinge Screw for 52604 to 52606.....	05
965d	6534	Feed (front) Lifting Rock Shaft Bracket Screw (front) for 46430 and 52646.....	04
990F	6527	Lifting Presser Bar Lifting Bracket Connecting Link Cap Screw for 62-47 Machine.....	03
1002d	6535	Lifting Lever Stop Screw for 23768, 23769, 38385, 46263 and 52604 to 52606.....	03
1012E	6534	Ruffling Connecting Rod Adjusting Screw for 46489.....	05
1012c	6520	Ruffling Driving Crank Slide Block Clamping Screw for 52701.....	05
1012c	6521	Ruffling Shaft Crank (right) Slide Block Clamping Screw for 52745.....	05
1037c	6493	Looper Bell Crank Pitman Ball Stud (lower) Set Screw for 46226 and obsolete for 62-38 Machine.....	04
1038c	6582	Ruffling Regulating Screw Stud for 62-29 Machine.....	10
1012c	6504	Knife (movable) Hinge Screw for 46356.....	06
1048c	6526	Feed (upper) Bar Connecting Link Hinge Screw for 62-47 Machine.....	05
1053d	6504	Knife (movable) Chip Ejector Screw for 52744.....	02

NO.	PLATE	NAME	EACH
1057E	6534	Crank Connecting Rod Cap (upper) Screw for 46221.....	\$ 04
1057E	6534	Feed Connecting Rod Cap Screw for 38427, obsolete.....	04
1057E	6534	Feed (back) Connecting Rod Cap Screw for 38427, obsolete.....	04
1057E	6534	Feed (lower) Connecting Rod Cap Screw for 38427, obsolete.....	04
1057E	6534	Feed Connecting Rod Hinge Pin Clamping Screw for 38427.....	04
1057E	6534	Feed (back) Connecting Rod Hinge Pin Clamping Screw for 38427.....	04
1057E	6534	Feed (lower) Connecting Rod Hinge Pin Clamping Screw for 38427.....	04
1057E	6526	Feed (upper) Shaft Crank (front) Clamping Screw for 52595.....	04
1072F	6534	Needle Set Screw for 38093 and 46053...	02
1076F	6562	Presser Foot Guide (right) Set Screw for 46193.....	03
1092E	2642	Under Driver Lever Hinge Screw for 27770.....	20
1093C	2642	Under Driver Lever Adjusting Screw for 27770.....	10
1094F	6534	Cloth Plate Screw (right) for all machines except 62-28 and 62-43.....	03
1099F	6539	Cutting Lever Connection Hinge Screw for 62-30 Machine, obsolete.....	03
1103C	6491	Feed Regulating Screw for 38128 and 52731.....	15
1103C	6491	Feed (lower) Regulating Screw for 38128	15
1106C	6527	" (upper) Regulating Screw for 52592	18
1115D	6534	" (front) Dog Screw for 62-49 Machine	04
1120C	6510	Looper (back) Set Screw for 38496 for 62-42 Machine.....	03
1120C	6510	Looper (front) Set Screw for 38496 for 62-35, 62-36 and 62-43 to 62-47 Machines and for 52778 for 62-53 Machine.....	03
1122C	2641	Under Driver Driving Pulley Shaft Screw Bearing Ball Case (left) Set Screw for 27766.....	03
1122C	2641	Under Driver Driving Pulley Shaft Screw Bearing Ball Case (right) Set Screw for 27766.....	03
1131C	6535	Feed (front) Connecting Rod Hinge Screw for 62-28 and 62-49 Machines.....	10

NO.	PLATE	NAME	EACH
1133E	6493	Lifting Presser Bar Bushing (lower) Set Screw for 62-27, 62-32, 62-41, 62-44 and 62-47 Machines.....	\$ 02
1133E	6493	Lifting Presser Bar Bushing (upper) Set Screw for 62-27, 62-32, 62-41, 62-44 and 62-47 Machines.....	02
1133E	6493	Needle Bar Bushing Set Screw.....	02
1133E	6493	Presser Bar Bushing (lower) Set Screw for 62-25, 62-26, 62-28 to 62-31, 62-35 to 62-40, 62-42, 62-43, 62-45, 62-46, 62-48 to 62-51 and 62-53 Machines.....	02
1133E	6493	Presser Bar Bushing (upper) Set Screw for 62-25, 62-26, 62-28 to 62-31, 62-35 to 62-40, 62-42, 62-43, 62-45, 62-46, 62-48 to 62-51 and 62-53 Machines.....	02
1136B	4848	Binder Bracket Lock Spring Thumb Screw for 36305 and 36498.....	10
1143C	6493	Looper Set Screw for 38439 and 52784...	03
1143C	6493	" (front) Set Screw for 38496, obsolete.....	03
1143C	2641	Under Driver Cone Pulley Ball Bearing Adjusting Ring Set Screw for 27770...	03
1147C	6493	Looper Carrier Hinge Pin Set Screw for 38439, 38496, 52619, 52778 and 52784	03
1147C	6493	Looper Carrier Pitman Ball Stud (left) Set Screw for 38439, 38496, 52619, 52778 and 52784.....	03
1147C	6493	Looper Set Screw for 52619.....	03
1147C	6510	" (back) Set Screw for 38496 for 62-35, 62-36 and 62-43 to 62-47 Machines and for 52775 for 62-53 Machine.....	03
1147C	6510	Looper (front) Set Screw for 38496 for 62-42 Machine.....	03
1149D	6534	Ruffing Shaft Bracket (front) Screw (short) for 46464.....	04
1149C	6534	Thread Unwinder Spool Rest Set Screw for 41435, 41531 and 41535.....	04
1186D	6505	Feed (upper) Bar Lifting Bell Crank Driving Arm Clamping Screw for 46416	04
1186D	6505	Lifting Presser Bar Bell Crank Driving Arm Clamping Screw for 46416.....	04
1208D	6549	Presser Foot Needle Guard Screw for 46004 and 46215.....	02
1246C	6503	Cutting Plate Adjusting Screw for 46331 and 52636.....	12
1247C	6503	Cutting Lever Connection Hinge Screw for 62-30 Machine.....	05

NO.	PLATE	NAME	EACH
1247c	6503	Cutting Lever Hinge Screw for 46331 and 52636.....	\$ 05
1247c	6503	Cutting Plate Friction Plate Screw for 46331 and 52636.....	05
1247c	6515	Ruffling Blade Holder Hinge Screw for 62-42 Machine.....	05
1250F	6504	Knife (stationary) Adjusting Lever Screw Stud for 46356.....	03
1253c	6524	Tension (upper thread, automatic) Cam Set Screw for 46383.....	03
1259c	6528	Knife Holder Adjusting Screw for 62-48 Machine.....	03
1259c	6534	Looper Bell Crank Pitman Ball Stud (lower) Set Screw for 46145.....	03
1284d	6532	Oil Cup Oil Regulating Screw for 46381.....	08
1284d	6532	" " (front of arm) Oil Regulating Screw for 46381.....	08
1316c	6505	Feed (upper) Bar Lifting Bell Crank Driving Arm Connection Screw Stud for 62-47 Machine.....	08
1316c	6505	Lifting Presser Bar Bell Crank Driving Arm Connection Screw Stud for 62-32 Machine.....	08
1356E	6527	Lifting Presser Bar Lifting Bracket Clamping Screw for 52599.....	04
1389F	6503	Cutting Lever Adjusting Screw for 46331 and 52636.....	03
1423B	6534	Binder Bracket Plate Screw (right) for 36305 and 36498.....	04
1423D	6534	Binder Hinge Plate Screw for 36192.....	04
1423D	6534	Edge Folder Hinge Plate Screw for 36192.....	04
1423D	6534	Hemmer Hinge Plate Screw for 36192.....	04
1423D	6518	Ruffling Separating Blade Bar Handle Stop Clamp Screw for 62-42 Machine.....	04
1423D	6526	Feed (upper) Bar Connecting Link Cap Screw for 62-47 Machine.....	04
1423D	6526	Feed (upper) Bar Lifting Bell Crank Driving Arm Connection Cap Screw for 62-47 Machine.....	04
1425B	4848	Binder Bracket Lock Spring Guide Screw for 36305 and 36498.....	06
1425D	4848	Binder Hinge Screw for 36199.....	06
1425D	4848	Edge Folder Hinge Screw for 36545.....	06
1425D	4848	Hemmer Hinge Screw for 36193.....	06
1443F	4848	Binder Bracket Lock Spring Screw for 36305 and 36498.....	04
1443F	4848	Binder Screw for 36305 and 36498.....	04

NO.	PLATE	NAME	EACH
1443D	4848	Edge Folder Screw for 36362.....	\$ 04
1443D	6518	Ruffling Separating Blade Holder Screw for 62-42 Machine.....	04
1443F	4848	Strip Folder Screw for 36541.....	04
1460H	6534	Edge Folder Holder Screw for 36627.....	07
1460H	6534	Folder Holder Seat Cover Screw for 46079.....	07
1460H	6534	" " Screw for 35998.....	07
1460H	6534	Lap Seam Feller Holder Screw for 35998.....	07
1492D	6534	Needle Guard (back) Screw for 62-45 and 62-46 Machines.....	03
1497c	6491	Arm Rock Shaft Crank (back) Set Screw for 38111, 46217 and 46364.....	05
1498F	6511	Needle Set Screw for 38499, 46152 and 46477.....	02
1499F	6516	Ruffling Lever Arm Lifting Bracket Cap Screw for 62-42 Machine.....	04
1499D	4849	Stay Guide Screw for 35719.....	04
1507E	2642	Under Driver Lever Hinge Screw Nut for 27770.....	05
1508E	1105	Cutter Grinder Emery Wheel Clamping Nut for 27934.....	06
1508E	1105	Knife Grinder Emery Wheel Clamping Nut for 41721.....	06
1508E	6493	Looper Carrier Rock Shaft Hinge Pin Nut.....	06
1508E	1101	Under Driver Lever Centre Plug Adjusting Screw Nut for 27644.....	06
1513E	2642	Under Driver Lever Adjusting Screw Nut for 27770.....	05
1516D	1105	Cutter Grinder Emery Wheel Shaft Screw Centre Nut for 27934.....	05
1516D	1105	Cutter Grinder Cutter Holder Bracket Screw Centre Nut for 27934.....	05
1516D	1105	Knife Grinder Emery Wheel Shaft Screw Centre Nut for 41721.....	05
1516D	1105	Knife Grinder Knife Holder Guide Bar Bracket Screw Centre Nut for 41721.....	05
1517E	6535	Ruffling Connecting Rod Hinge Screw Nut for 62-42 Machine.....	04
1518E	6535	Crank Connecting Rod Hinge Screw Nut for 62-25 to 62-27, 62-30, 62-31, 62-35 to 62-41, 62-45 and 62-46 Machines, obsolete.....	04
1518E	6535	Looper Carrier Pitman Ball Screw Stud (right) Nut for 62-48 Machine and obsolete for 62-25, 62-27, 62-30, 62-36 to 62-40, 62-45 and 62-46 Machines.....	04

NO.	PLATE	NAME	EACH
1519E	6535	Looper Bell Crank Pitman Ball Screw Stud (lower) Nut for 777c, obsolete...	\$ 03
1519E	6535	Looper Bell Crank Pitman Ball Screw Stud (upper) Nut for 777c, obsolete...	03
1519E	6535	Thread (upper) Controller (right) Fork Screw Stud Nut for 62-38 Machine, obsolete.....	03
1520E	6494	Needle Bar Connecting Link Hinge Stud Nut.....	03
1520E	6518	Ruffling Connecting Link Hinge Screw Nut for 62-42 Machine.....	03
1528H	6536	Knife Grinder Knife Holder Adjusting Thumb Screw Lock Nut for 41719 and 41720.....	03
1528D	6495	Roller Screw Nut for 1868, 1923, 1985 and 1986.....	03
1539D	6535	Pressure Regulating Thumb Screw Lock Nut.....	05
1547D	6495	Roller Arm Adjusting Screw Nut for 24000, 38012, 38286, 46252, 46253, 52670 and 52671.....	03
1547D	6495	Roller Arm Screw Centre Nut for 24000, 38012, 38286, 46252, 46253, 52670 and 52671.....	03
1549D	6495	Roller Arm Lock Spring Screw Nut for 24000, 38012, 38286, 46252, 46253, 52670 and 52671.....	03
1550H	6582	Ruffling Blade Holder Hinge Stud Nut for 52807.....	03
1550H	6520	Ruffling Blade Holder Stop Screw Nut for 62-43 Machine.....	03
1554E	6504	Knife (movable) Hinge Screw Nut for 46356.....	04
1560c	6496	Cord Tension Regulating Thumb Nut for 62-40 Machine.....	04
1560c	6496	Tension (under thread) Regulating Thumb Nut.....	04
1560c	6496	Tension (upper thread) Regulating Thumb Nut.....	04
1560c	6524	Tension (upper thread, automatic) Regulating Thumb Nut for 62-45 and 62-50 Machines.....	04
1563D	6506	Knife Bar Coupling Pin Head for 46407..	04
1602H	6535	Cloth Plate Slide (large) Bushing for 38415, 46254 and 46264.....	02

NO.	PLATE	NAME	EACH
1602H	6535	Cloth Plate Slide (right) Bushing for 38105H, 46400, 46463H, 52610 and 52631H.....	\$ 02
1602H	6535	Cloth Plate Slide (right) Thumb Screw Nut for 286D, obsolete.....	02
1619E	6535	Crank Connecting Rod Ball Screw Stud Nut.....	05
1620E	6496	Slack Thread Regulator Screw Nut for 62-25, 62-26, 62-28, 62-29, 62-35 to 62-38, 62-43, 62-48, 62-49 and 62-53 Machines.....	03
1620D	6524	Thread (upper) Controller Hinge Screw Nut for 62-45 and 62-50 Machines....	03
1621c	6520	Ruffling Blade Holder Spring Adjusting Screw Lock Nut for 62-43 Machine....	02
1636E	6535	Looper Bell Crank Pitman Ball Screw Stud (lower) Nut for 777c, 62-46 Machine and obsolete for 62-25 to 62-27, 62-30, 62-31, 62-35 to 62-37, 62-39 to 62-41 and 62-45 Machines.....	03
1636E	6535	Looper Bell Crank Pitman Ball Screw Stud (upper) Nut.....	03
1636E	6535	Looper Carrier Pitman Ball Screw Stud (right) Nut for all machines except 62-48.....	03
1643D	6503	Cutting Plate Adjusting Screw Thumb Nut for 46331 and 52636.....	06
1656D	6536	Knife Grinder Knife Clamping Thumb Nut for 41719 and 41720.....	10
1697E	6535	Looper Carrier Pitman Rod Nut (left) for 38441, 46175 and 52620.....	03
1698E	6536	Looper Carrier Pitman Rod Nut (right) for 38441, 46175 and 52620.....	03
1701c	6502	Feed (front) Regulating Stud Nut for 62-28 and 62-49 Machines.....	10
1706E	6535	Looper Bell Crank Pitman Rod Nut (lower) for 46227 and 46314.....	03
1707E	6535	Looper Bell Crank Pitman Rod Nut (upper) for 46227, obsolete.....	03
1708E	6535	Looper Carrier Pitman Rod Nut (left) for 46236 and 46367.....	03
1709E	6535	Looper Carrier Pitman Rod Nut (right) for 46236 and 46367.....	03
1713E	6535	Looper Bell Crank Pitman Rod Nut (upper) for 46227 and 46314.....	03
1719c	6515	Ruffling Regulating Stud Nut for 62-42 Machine.....	15

NO.	PLATE	NAME	EACH
1730j	6582	Ruffling Regulating Screw Stud Thumb Nut for 62-29 Machine.....	\$ 10
1823	6496	Slack Thread Regulator Roller and Stud for 38473 and 52569.....	18
1868	6541	Roller, $7\frac{3}{8}$ in. diam., coarse, with 652b and 1528b, for 38286 and 52670.....	25
1923	6495	Roller, $1\frac{1}{4}$ in. diam., coarse, with 652b and 1528b, for 24000, 38012 and 52671.....	40
1964	6524	Thread (upper) Controller Roller for 46393.....	20
1981	6525	Slack Thread Regulator Bracket Roller (roller only) for 46129.....	08
1985	6495	Roller, $7\frac{3}{8}$ in. diam., coarse, with 652b and 1528b, for 46252.....	25
1986	6495	Roller, $7\frac{3}{8}$ in. diam., fine, with 652b and 1528b, for 46253.....	25
1989	6499	Vibrating Presser Bar Lifting Bell Crank Driving Arm Roller (roller only) for 46284.....	10
2015	6533	Machine Cushion, rubber (Attachments and Accessories).....	02
2049	6521	Ruffling Regulator Pin for 62-29 and 62-43 Machines.....	01
2077	6520	Ruffling Driving Crank Slide Block Pin Holder Pin for 52697.....	01
2102	6496	Cord Tension Disc for 62-40 Machine.....	05
2102	6496	Tension (under thread) Disc.....	05
2102	6496	" (upper thread) Disc.....	05
2102	6524	" " " automatic) Disc for 62-45 and 62-50 Machines.....	05
2103	6496	Tension (upper thread) Spring for 62-25, 62-26, 62-29 to 62-32, 62-35 to 62-37, 62-40, 62-43 to 62-46, 62-48 to 62-51 and 62-53 Machines.....	03
2205	6495	Roller Arm Lock Spring for 38012, 46252 and 46253.....	04
2206	6495	Roller Arm Bracket for 46252 and 46253.....	20
2269	6503	Cutting Plate Bracket Dowel Pin for 62-30 Machine.....	01
2269	6533	Needle Stop Pin for 46292.....	01
2273	6506	" Clamp Pin for 46068, 46165 and 46476.....	01
2291	6582	Ruffling Arm Adjusting Screw Washer for 52806.....	01
2424	6506	Knife for 62-32 Machine.....	08
2532	6533	Presser Foot Hinge Pin for 38471.....	10
2656	4851	" " Tension Plate Spring for 36203.....	02

NO.	PLATE	NAME	EACH
2718	2642	Under Driver Dress Guard Screw Washer for 27770.....	\$ 01
2762	2642	Under Driver Treadle Stop Collar with 362e, for 27640.....	10
2763	2114	Rock Shaft for 23767 and 46262.....	10
2766	2114	" " Knee Arm Hub with 356c, for 6336 and 16647.....	15
2767	2114	Rock Shaft Knee Plate with 356c, for 6336 and 16647.....	18
2770	2114	Rock Shaft Stop Dog with 356c, for 23767 and 46262.....	12
2818	6570	Strip Folder Friction Washer for 36630.....	01
2878	363	Under Driver Treadle Stand for 27642.....	15
4604	6480	Tape Holder Disc Rivet for 35909, per 100.....	10
4604	6524	Thread (upper) Take-up Thread Guide Rivet for 52728.....	per 100 10
4748	6533	Machine Rest, felt (Attachments and Accessories).....	01
4784	6533	Arm Rotary Shaft Oil Pad (felt).....	01
4784	6533	Ruffling Connecting Rod Oil Pad (felt) for 46489.....	01
4822	2112	Wrench for 1528, 1547 and 1549 (Attachments and Accessories).....	05
4879	6508	Chain Connecting Link for 4885.....	03
		Nos. 4881 to 4884 for 4885.....	
4881	2114	Treadle.....	30
4882	6508	" Shaft.....	05
4883	6508	" Spring.....	10
4884	2114	" Stand.....	25
4885	2114	Treadle complete for 23769, 52522, 52549 and 52604, Nos. 4879, 4881 to 4884 and two wood screws 1 in. No. 16.....	75
6335	2114	Rock Shaft Knee Arm for 6336.....	10
6336	---	Rock Shaft Knee Arm complete for 23767, Nos. 2766, 2767 and 6335.....	40
6337	2114	Rock Shaft Lifting Bracket with two 356c, for 23767 and 46262.....	20
6439	---	Chain, 36 in. to 45 in., for 23769, 52522, 52549 and 52604.....	20
7070	6582	Ruffling Regulating Screw Stud Bushing for 62-29 Machine.....	10
7071	4849	Lap Seam Guide Screw Washer for 36384.....	01
7071	4849	Welt Guide Screw Washer for 35269.....	01
7125	2114	Rock Shaft Lifting Bracket Hook for 23767 and 46262.....	15
7298	6533	Presser Foot Hinge Pin for 38048 and 38366.....	per 100 10

NO.	PLATE	NAME	EACH
*7320	—	Looper Bell Crank Pitman Cap (lower) for 38437, obsolete.....	\$ 30
7480	2148	Welt Guide Switch Lever Spring Hook for 35265 and 35268.....	01
7539	6537	Rock Shaft Hanger with two wood screws 1 in. No. 10, for 46262.....	08
7556	6541	Roller Arm Lock Spring for 24000, 38286, 52670 and 52671.....	05
7958	2642	Under Driver Driving Pulley Friction Ring Stop Pin for 27630 and 27756.....	01
7958	2642	Under Driver Driving Pulley Screw Centre Bearing Dowel Pin for 27630.....	01
8505	4849	Edge Folder Holder Spring Rivet for 35998.....per 100	10
8505	4849	Folder Holder Spring Rivet for 35998, per 100.....	10
8505	4849	Lap Seam Feller Folder Slide Spring Rivet for 35998.....per 100	10
8569	6540	Needle Clamp Pin for 38498, obsolete.....	02
8908	2112	Wrench for 1520, 1620, 1706, 1708 and 1709 (Attachments and Accessories).....	08
9079	362	Under Driver Treadle Pitman Rod Clamp with 354c, for 27640.....	12
9082	1101	Under Driver Treadle Bearing Cotter Pin for 27642.....	01
9525	6521	Ruffling Regulator Thumb Screw Washer for 62-43 Machine.....	01
9533	6533	Arm Side Cover (upper) Pin for all machines except 62-42.....	02
9558	6520	Ruffling Blade Holder Spring Pin for 52693 and 52713.....	01
9792	6533	Ruffling Regulator Crank Pin for 62-42 Machine.....	01
9792	6533	Ruffling Shaft Crank (front) Pin for 62-42 Machine.....	01
10148	6496	Cord Tension Spring for 62-10 Machine.....	03
10148	6496	Tension (under thread) Spring for all machines except 62-38, 62-45 and 62-46.....	03
10309	2148	Welt Guide Switch Lever Spring for 35269.....	02
11204	6504	Knife (movable) Connection Crank Hinge Stud for 62-31 and 62-49 Machines.....	15
11833	6536	Knife Grinder Knife Position Pin for 41719 and 41720.....	01
11833	6533	Presser Foot Hinge Pin for 38044.....	01
12178	1101	Under Driver Lever Centre Plug (wood) for 27644.....	01

NO.	PLATE	NAME	EACH
12242	2114	Rock Shaft Hanger with two wood screws 1 in. No. 10 for 23767.....	\$ 08
12257	6495	Roller Arm for 38012.....	15
12443	6533	Oil Cup (take-up) Packing (felt) for 46003.....	01
12459	2641	Under Driver Cone Pulley Oil Hole Stop Screw Washer (leather) for 27750, per 100.....	50
13211	6480	Tape Holder Tension Adjusting Spring for 28809 and 35827.....	02
13710	6496	Tension (upper thread) Spring for 62-27, 62-28, 62-38, 62-39, 62-41, 62-42 and 62-47 Machines.....	03
14057	6532	Oil Cup (back of arm) Cover Hinge Pin for 46202.....	03
15261	6502	Needle Bar Stop Collar with 237E, for 62-39, 62-40 and 62-46 Machines and obsolete for 62-45 Machine.....	15
15261	6502	Presser Bar Stop Collar with 237E, for 62-30, 62-31, 62-39, 62-40, 62-45, 62-46, 62-49 and 62-50 Machines.....	15
15588	6540	Needle Stop Pin for 38497, obsolete.....	01
16646	6537	Rock Shaft Knee Arm for 16647.....	10
16647	—	Rock Shaft Knee Arm complete for 46262, Nos. 2766, 2767 and 16646.....	40
17509	6490	Arm Side Cover (lower).....	15
17540	6492	Presser Bar for 62-25, 62-28, 62-29, 62-31, 62-35, 62-36, 62-38 to 62-40, 62-42, 62-43, 62-45, 62-46, 62-48, 62-49, 62-51 and 62-53 Machines.....	30
17540	6492	Lifting Presser Bar for 62-32 Machine.....	30
17541	6494	" " " Lifter for 62-27, 62-32, 62-41 and 62-44 Machines.....	20
17541	6494	Presser Bar Lifter for 62-25, 62-26, 62-28 to 62-31, 62-35 to 62-40, 62-42, 62-43, 62-45, 62-46, 62-48 to 62-51 and 62-53 Machines.....	20
17542	6494	Lifting Presser Bar Lifter Hinge Pin for 62-27, 62-32, 62-41 and 62-44 Machines.....	05
17542	6494	Presser Bar Lifter Hinge Pin for 62-25, 62-26, 62-28 to 62-31, 62-35 to 62-40, 62-42, 62-43, 62-45, 62-46, 62-48 to 62-51 and 62-53 Machines.....	05
17547	6496	Tension (under thread) Thread Guide.....	25
17547	6496	" (upper thread) Thread Guide.....	25
18055	6533	Presser Foot Hinge Pin for 46271 to 46273, 46309, 46342, 46362, 46369, 52638, 52641, 52644, 52654 and 52677.....	01

NO.	PLATE	NAME	EACH
18114	---	Lap Seam Feller Folder Slide for 26272...	\$ 15
18116	4849	Edge Folder Holder Spring for 35998.....	05
18116	4849	Folder Holder Spring for 35998.....	05
18116	4849	Lap Seam Feller Folder Slide Spring for 35998.....	05
19221	2112	Wrench for 1619 (Attachments and Accessories).....	15
19356	6505	Feed (upper) Bar Lifting Bell Crank for 62-47 Machine.....	1 00
19356	6505	Lifting Presser Bar Bell Crank for 62-32 Machine.....	1 00
19357	6505	Lifting Presser Bar Bell Crank Connecting Link for 62-32 Machine.....	35
20251	6515	Ruffling Shaft Collar with 456c, for 62-42 Machine.....	20
*21230	---	Feed (upper) Eccentric for 52592, obsolete	---
21331	6491	Feed Eccentric Pressure Spring for 38128 and 52731.....	03
21331	6491	Feed (lower) Eccentric Pressure Spring for 38128.....	03
21331	6491	Feed (upper) Eccentric Pressure Spring for 52592.....	03
21332	6491	Feed Eccentric Pressure Spring Cap for 38128 and 52731.....	10
21332	6491	Feed (lower) Eccentric Pressure Spring Cap for 38128.....	10
21332	6491	Feed (upper) Eccentric Pressure Spring Cap for 52592.....	10
21506	6582	Ruffling Shaft Collar with 457c, for 62-29 Machine.....	10
22003	2112	Wrench for 1550 (Attachments and Accessories).....	05
23702	6538	Arm Rock Shaft for 62-25, 62-26, 62-30, 62-31, 62-35 to 62-40, 62-45 and 62-46 Machines, obsolete.....	1 00
23716	6491	Feed Bar Bushing for 62-25 to 62-27, 62-29, 62-31, 62-32, 62-35 to 62-46, 62-48, 62-50, 62-51 and 62-53 Machines.....	40
23716	6491	Feed (back) Bar Bushing for 62-28 and 62-49 Machines.....	40
23716	6491	Feed (lower) Bar Bushing for 62-47 Machine.....	40
23724	6491	Arm Rock Shaft Crank (front) Pin.....	01
23726	6491	Feed Bar Hinge Pin for 62-25 to 62-27, 62-29 to 62-32, 62-35 to 62-46, 62-48, 62-50, 62-51 and 62-53 Machines.....	50
23726	6491	Feed (back) Bar Hinge Pin for 62-28 and 62-49 Machines.....	50

NO.	PLATE	NAME	EACH
23726	6191	Feed (lower) Bar Hinge Pin for 62-47 Machine.....	\$ 50
*23729	---	Feed Eccentric Body for 38128.....	2 50
*23729	---	" (lower) Eccentric Body for 38128.....	2 50
23738	6540	Looper Carrier Rock Shaft Hinge Pin for 62-25 and 62-35 Machines, obsolete....	50
23759	2114	Lifting Lever for 23768, 23769, 38385 and 46263.....	25
23760	2114	Lifting Lever Connecting Rod for 23768, 52523, 52550 and 52605.....	05
23761	2114	Lifting Lever Spring for 23768, 23769, 38385, 46263 and 52604 to 52606.....	05
23766	2112	Wrench for 1508 and 1636 (Attachments and Accessories).....	10
23767	2114	Rock Shaft complete for 23768, 38385, 52523, 52524, 52550, 52551, 52605 and 52606, Nos. 2763, 2770, 6336, 6337, 7125 and two 12242.....	1 10
23768	---	Knee Lifter complete (power table) for 62-25 to 62-28, 62-30, 62-31, 62-35 to 62-38, 62-40, 62-41, 62-43 to 62-46 and 62-48 to 62-51 Machines, Nos. 802b, 1002b, 23759 to 23761 and 23767.....	1 55
23769	---	Foot Lifter complete for 62-25 to 62-28, 62-30, 62-31, 62-35 to 62-41, 62-43 to 62-46 and 62-48 to 62-51 Machines, Nos. 802b, 1002b, 4885, 6439, 23759 and 23761.....	1 35
23777	---	Presser Foot Plate for 46272.....	1 50
23778	---	" " " " 46273.....	1 50
23787	6552	Throat Plate Slide, for cording, for 46277 and 52668.....	1 00
23788	6552	Throat Plate Slide, for imitation cording and tucking, for 46276 and 52667.....	75
23789	6552	Throat Plate Slide Stop for 46276, 46277 and 52666 to 52668.....	50
23793	6508	Needle Bar (hollow) for 46476.....	60
23859	---	Presser Foot Plate for 46271.....	1 00
*23865	---	Feed Connecting Rod Cap for 38427.....	30
*23865	---	" (back) Connecting Rod Cap for 38427.....	30
*23865	---	Feed (lower) Connecting Rod Cap for 38427.....	30
23866	6491	Feed Connecting Rod Hinge Pin (eccentric) for 62-25 to 62-27, 62-29 to 62-32, 62-35 to 62-46, 62-48, 62-50, 62-51 and 62-53 Machines.....	20



NO.	PLATE	NAME	EACH
23866	6491	Feed (back) Connecting Rod Hinge Pin (eccentric) for 62-28 and 62-49 Machines	\$ 20
23866	6491	Feed (lower) Connecting Rod Hinge Pin Eccentric for 62-47 Machine.....	20
23872	6490	Arm Rotary Shaft Flanged Bushing for all machines except 62-42.....	1 00
23873	6482	Balance Wheel with two 430c. for all machines except 62-29, 62-45 and 62-50	80
23907	-----	Presser Foot Shank for 38041.....	75
23933	6507	Arm Side Cover (upper) for 62-25, 62-27, 62-30, 62-31, 62-40 and 62-41 Machines, obsolete.....	15
24000	6541	Roller Presser complete, 1¼ in. coarse roller, for 62-37 Machine, Nos. 171E, 176D, 440E, 1549D, 1923, 7556, 38081, 38219, 38302, two 316E and three 1547D, obsolete.....	1 65
24203	6582	Ruffling Blade Holder for 52807.....	75
24206	6582	" " " Hinge Stud for 52807.....	10
24581	6582	Ruffling Blade Holder Spring for 52807..	05
24691	6502	Feed Eccentric Adjusting Screw Plate for 46452.....	35
25303	2641	Under Driver Cone Pulley Ball, size ¼ in., for 27770.....per 100	1 00
25303	2641	Under Driver Driving Pulley Shaft Ball, size ¼ in., for 27760 and 27765..per 100	1 00
25303	2641	Under Driver Driving Pulley Shaft Screw Bearing Ball Case (left) Friction Stud Ball, size ¼ in., for 27760.....per 100	1 00
25618	4846	Guide for 62-25 and 62-38 Machines.....	15
25717	4849	Binder Ribbon Tension complete for 36473, Nos. 26614, 26616 and four 26615	25
25876	4846	Guide for 62-25 and 62-26 Machines.....	15
26026	2112	Screw Driver, large (Attachments and Accessories).....	10
26069	-----	Tape Holder Disc Hub for 26917.....	25
26070	6480	" " " " Rivet for 26917 and 35825.....per 100	10
26073	6480	Tape Holder Tension Adjusting Collar with 286D, for 28809.....	15
26092	6531	Arm Side Cover (upper) Thread Eyelet Rivet for 38490, obsolete.....per 100	15
*26269	-----	Lap Seam Feller Folder for 26272.....	3 25
26272	6476	Lap Seam Feller (right hand) complete for 62-36 Machine, Nos. 18114 and 26269.	3 40

NO.	PLATE	NAME	EACH
26276	6533	Presser Foot Hinge Pin for 35993, 36031, 36039, 36127, 36146, 36196, 36350, 36354, 36356, 36358, 36446, 36603, 46058, 46077, 46088, 46100, 46155, 46178, 46183, 46188, 46190, 46299, 46303, 46457, 52582, 52625 and 52722.	\$ 01
26344	2148	Welt Guide Slide Stop for 35269.....	25
26485	2112	Screw Driver, small (Attachments and Accessories).....	05
		Nos. 26614 to 26616 for 25717.	
26614	4849	Binder Ribbon Tension Pin (bent).....	05
26615	4849	" " " " (straight)....	05
26616	4849	" " " " Plate.....	35
26912	1016	Tape Holder Bracket Wire for 26913.....	---
26913	-----	Tape Holder Bracket Wire complete for 28809, Nos. 26912, 26915 and 26919....	60
26915	1016	Tape Holder Disc for 26913 and 26917..	15
26917	1016	Tape Holder Disc complete for 28809, Nos. 26069, 26915 and three 26070....	40
26918	1518	Tape Holder Tape Guide for 35822.....	---
26919	1016	" " " " " 26913.....	---
27070	363	Under Driver Shaft Driving Pulley (sectional, grooved) 10 in. diam., 1½ in. bore, with two 597c, for 27615 and 27771.....	45
27114	6506	Knife Bar Coupling Pin Spring for 46407.	02
27323	1105	" Grinder Knife Holder Guide Bar for 41721.....	05
27473	1101	Under Driver Cone Pulley Centre Bearing for 27509.....	08
27474	363	Under Driver Dress Guard (right hand) for 27644.....	08
27483	1101	Under Driver Lever Brake Spring for 27644.....	02
27485	1101	Under Driver Lever Hinge Pin for 27644.	01
27497	1101	" " " Brake Strip (leather) for 27644.....	02
27508	362	Under Driver Belt Guard for 27644.....	08
27509	362	" " Cone Pulley (grooved) three speed, 2½ in., 3¾ in. and 5¼ in. diam., with 27473, for 27644.....	60
27564	1104	Knife Grinder Frame with 27574, for 41721.....	75
27565	1104	Cutter Grinder Emery Wheel, 2 in. diam., for 27934.....	25
27565	1104	Knife Grinder Emery Wheel, 2 in. diam., for 41721.....	25

NO.	PLATE	NAME	EACH
27567	1105	Cutter Grinder Emery Wheel Shaft for 27934.....	\$1 00
27567	1105	Knife Grinder Emery Wheel Shaft for 41721.....	1 00
27568	1105	Cutter Grinder Emery Wheel Shaft Oil Hole Cover (rubber) for 27934.....	01
27568	1105	Knife Grinder Emery Wheel Shaft Oil Hole Cover (rubber) for 41721.....	01
27569	1105	Cutter Grinder Emery Wheel Shaft Pulley for 27934.....	30
27569	1105	Knife Grinder Emery Wheel Shaft Pulley for 41721.....	30
27572	1104	Knife Grinder Knife Holder Guide Bar Bracket with 27574, for 41721.....	30
27573	1105	Cutter Grinder Cutter Holder Bracket Spring for 27934.....	05
27573	1105	Knife Grinder Knife Holder Guide Bar Bracket Spring for 41721.....	05
27574	1105	Cutter Grinder Cutter Holder Bracket Spring Hook for 27925 and 27927.....	02
27574	1105	Knife Grinder Knife Holder Guide Bar Bracket Spring Hook for 27564 and 27572.....	02
27598	—	Under Driver Driving Pulley Friction Ring (leather) for 27630 and 27756.....	05
27600	1101	Under Driver Driving Pulley Hollow Stud Position Stud for 27631.....	02
27623	2837	Thread Unwinder Spool Pin for 41435, 41531 and 41535.....	08
27630	362	Under Driver Driving Pulley (grooved) 6 in. diam., with 433c, 27598 and two 7958, for 27644.....	60
27631	1101	Under Driver Driving Pulley Hollow Stud with 27600, for 27644.....	15
27632	—	Under Driver Driving Pulley Hollow Stud Wick for 27633.....	01
		Nos. 27633 to 27635 for 27644.	
27633	—	Under Driver Driving Pulley Hollow Stud Wick Wire with 27632.....	05
27634	362	Under Driver Frame.....	60
27635	362	" " Oil Cup.....	25
27636	363	" " Treadle for 27642.....	30
		Nos. 27637 to 27639 for 27640.	
27637	362	Under Driver Treadle Pitman Rod (lower)	05
27638	1101	" " " " " " Spring.....	03

NO.	PLATE	NAME	EACH
27639	362	Under Driver Treadle Pitman Rod (upper)	\$ 05
27640	362	Under Driver Treadle Pitman complete for 27643, Nos. 2762, 9079 and 27637 to 27639.....	35
27642	—	Under Driver Treadle complete for 27643, Nos. 2878, 9082, 27636 and four wood Screws 1 in. No. 16.....	45
27643	—	Under Driver Treadle and Pitman complete for 27645 and 27771, Nos. 27640 and 27642.....	80
27644	—	Under Driver Transmitter complete for 27645, Nos. 138E, 356c, 427E, 649E, 1508E, 12178, 27474, 27483, 27485, 27497, 27508, 27509, 27630, 27631, 27633 to 27635, 41338, two 127E and four wood screws 1½ in. No. 16.....	3 00
27645	—	Under Driver, lever pressure, three speed, right hand (oil controlling pulley) complete, Nos. 27070, 27643 and 27644	4 00
27659	1105	Knife Grinder Knife Holder Stop Collar with 237E, for 41721.....	10
27662	1104	Wrench for 1508 and 1516 for 27934 and 41721.....	15
27739	2837	Thread Unwinder Thread Cone (wood) for 41438, 41533 and 41537.....	05
		Nos. 27750 to 27757 for 27770.	
27750	2640	Under Driver Cone Pulley (grooved) two speed, 3¾ in. and 5¼ in. diam., with 878b and 12459.....	60
27751	2641	Under Driver Driving Pulley Shaft Ball Bearing Collar.....	25
27752	2641	Under Driver Driving Pulley Shaft Ball Bearing Collar Pin.....	04
27753	2641	Under Driver Cone Pulley Ball Bearing Adjusting Ring.....	15
27754	2641	Under Driver Driving Pulley Shaft Screw Bearing Ball Case (left) Friction Stud Extension Pin.....	02
27755	2640	Under Driver Dress Guard.....	10
27756	2640	" " Driving Pulley (grooved) 6 in. diam., with 315c, 7958 and 27598.	60
27757	2641	Under Driver Driving Pulley Shaft.....	60
27758	2641	" " " " " " Ball Safety Washer for 27760 and 27765.....	01
27759	2641	Under Driver Driving Pulley Shaft Screw Bearing Ball Case (left) for 27760.....	20

NO.	PLATE	NAME	EACH
27760	—	Under Driver Driving Pulley Shaft Screw Bearing Ball Case (left) complete for 27770, Nos. 27758, 27759, 27761 to 27763 and twelve 25303.....	\$ 50
		Nos. 27761 to 27763 FOR 27760.	
27761	2641	Under Driver Driving Pulley Shaft Screw Bearing Ball Case (left) Friction Stud.	10
27762	2641	Under Driver Driving Pulley Shaft Screw Bearing Ball Case (left) Friction Stud Ball Plate.....	05
27763	2641	Under Driver Driving Pulley Shaft Screw Bearing Ball Case (left) Friction Stud Ball Plate Washer.....	01
27764	2641	Under Driver Driving Pulley Shaft Screw Bearing Ball Case (right) for 27765.....	20
		Nos. 27765 to 27767 FOR 27770.	
27765	—	Under Driver Driving Pulley Shaft Screw Bearing Ball Case (right) complete, Nos. 27758, 27764 and eight 25303.....	30
27766	2640	Under Driver Frame with two 1122c....	75
27767	2640	" " Lever with 27768 and two 27878.....	35
27768	2642	Under Driver Lever Brake (leather) two pieces, for 27767.....	03
27769	2642	Under Driver Lever Spring for 27770....	10
27770	—	Under Driver Transmitter complete for 27771, Nos. 348c, 1092e, 1093c, 1507e, 1513e, 2718, 27750 to 27752, 27754 to 27757, 27760, 27765 to 27767, 27769, two each 1143c, 27753, 27795, three wood screws 2 in. No. 16 and twenty-two 25303.....	3 00
27771	—	Under Driver (ball bearing) lever pressure, two speed, right hand, complete, Nos. 27070, 27643 and 27770.....	4 00
27795	2641	Under Driver Cone Pulley Ball Bearing Adjusting Ring Set Screw Washer for 27770.....per 100	25
27822	1105	Cutter Grinder Emery Wheel Clamping Nut Washer for 27934.....	10
27822	1105	Knife Grinder Emery Wheel Clamping Nut Washer for 41721.....	10
27878	2642	Under Driver Lever Brake Rivet for 27767.....	01

NO.	PLATE	NAME	EACH
		Nos. 27925 to 27933 FOR 27934.	
27925	4874	Cutter Grinder Frame with 27574.....	\$ 75
27926	4875	" " Cutter Holder.....	25
27927	4874	" " " " Bracket with 27574.....	30
27928	4875	Cutter Grinder Cutter Holder Clamp with 27930.....	15
27929	4875	Cutter Grinder Cutter Holder Clamp Spring.....	03
27930	4875	Cutter Grinder Cutter Holder Clamp Steady Pin for 27928.....	05
27931	4875	Cutter Grinder Cutter Holder Collar with two 460c.....	15
27932	4875	Cutter Grinder Cutter Holder Handle...	05
27933	4875	" " " " Stop.....	10
27934	—	Cutter Grinder complete for 62-30 Machine, Nos. 261d, 286d, 939d, 1508e, 27565, 27567, 27569, 27573, 27662, 27822, 27925 to 27929, 27931 to 27933, two 27568, three wood screws 1 in. No. 10 and four each 310e and 1516d.....	4 50
27940	2837	Thread Unwinder Spool Stand with 453c, for 41438, 41533 and 41537.....	20
28809	1016	Tape Holder (straight) 8 in. disc, complete, Nos. 13211, 26073, 26913 and 26917....	1 15
28991	2148	Welt Guide Width Guide for 35269.....	50
28994	2116	Tape Holder (5 in. diam.) with two wood screws 1¼ in. No. 10, for under the bench, for Two-Needle Machines.....	1 50
29086	6509	Vibrating Presser Bar Spring for 46402..	02
32572	6524	Tension (upper thread, automatic) Releasing Disc for 62-45 and 62-50 Machines.....	05
35095	2112	Tweezers, 6 in. (Attachments and Accessories).....	40
35250	6477	Presser Foot Spring for 35993 and 36350.	02
		Nos. 35260 to 35268 FOR 35269.	
35260	2148	Welt Guide Bed.....	2 00
35261	2148	" " " Extension.....	75
35262	2148	" " " Spring.....	20
35263	2148	" " " " Cap (left).....	15
35264	2148	" " " " " (right).....	15
35265	2148	" " Cap with 7480.....	1 75
35266	2148	" " Slide with 35267.....	50
35267	2148	" " " Stud for 35266.....	05
35268	2148	" " Switch Lever with 7480.....	75

NO.	PLATE	NAME	EACH
35269	2148	Welt Guide (adjustable) complete for 62-26 and 62-27 Machines, Nos. 106b, 910F, 10309, 26344, 28991, 35260 to 35266, 35268, two 240b, three 238b and four 590b.....	\$7 00
35717	4849	Stay Guide (lower) for 35719.....	20
35718	4849	" " (upper) for 35719.....	20
35719	—	Stay Guide complete for 62-35 Machine, Nos. 35717 and 35718.....	40
35724	4848	Binder Ribbon Tension Block for 35728..	30
35725	4848	" " " Pin for 35728....	10
35726	4848	" " " Bracket with two 185H, for 36305 and 36498.....	30
35727	4848	Binder Ribbon Tension Stud for 35728....	10
35728	4848	" " " " 35727 with 35724 and two 35725, for 36305 and 36498.....	60
35821	1518	Tape Holder Bracket Wire for 35822....	—
35822	1518	Tape Holder Bracket Wire complete for 35827, Nos. 26918, 35821 and 35823....	75
35823	—	Tape Holder Disc for 35822 and 35825....	20
35824	1518	" " " Hub for 35825.....	25
35825	1518	Tape Holder Disc complete for 35827, Nos. 35823, 35824 and three 26070....	45
35826	6480	Tape Holder Tension Adjusting Collar with 286b, for 35827.....	15
35827	1518	Tape Holder (straight) 6 in. disc, complete, for 62-42 Machine, Nos. 13211, 35822, 35825 and 35826.....	1 45
35859	2112	Oiler with Cap and 35861 for 35860....	07
35860	—	" 35859 filled with oil (Attachments and Accessories).....	10
35861	2112	Oiler Spout, 3½ in. long, for 35859.....	03
35908	—	Tape Holder Disc for 35909.....	15
35909	6479	" " " 35908 with 35910 and five 4604, for 35917.....	90
35910	6479	Tape Holder Disc Hub for 35909.....	75
35911	6480	" " Shaft for 35917.....	75
35912	6480	" " " Bushing with 35913, for 35917.....	1 25
35913	6480	Tape Holder Shaft Bushing Guide for 35912.....	40
		Nos. 35914 to 35916 for 35917.	
35914	6480	Tape Holder Spindle.....	30
35915	6479	" " Stand.....	75
35916	6480	" " Tension Spring.....	25

NO.	PLATE	NAME	EACH
35917	—	Tape Holder, 10 in. disc, complete, for 62-28 Machine, Nos. 288b, 793b, 35909, 35911, 35912, 35914 to 35916 and three wood screws 1 in. No. 10.....	\$5 00
35964	2112	Stiletto (Attachments and Accessories).....	10
		Nos. 35990 to 35992 for 35993.	
35990	6477	Presser Foot Guide.....	1 25
35991	—	" " Plate.....	2 00
35992	—	" " Shank.....	75
35993	6477	Presser Foot (spring hinged) complete, with left hand stationary guide, for 26272, Nos. 233b, 26276, 35250 and 35990 to 35992.....	4 00
35998	4856	Edge Folder Holder with 8505 and 18116, for 36627.....	1 50
35998	4856	Folder Holder with 8505 and 18116, for 36027 and 36444.....	1 50
35998	4856	Lap Seam Feller Holder with 8505 and 18116, for 26272.....	1 50
36006	4849	Binder Friction Washer for 36199.....	05
36006	4849	Edge Folder Friction Washer for 36545..	05
36006	4849	Hemmer Friction Washer for 36193.....	05
36007	4851	Throat Plate with 665b and 46075, for 36417 for 35269.....	1 75
36027	4856	Folder on Slide complete, for belt loops of trousers, for short lengths of material, for 62-38 Machine, Nos. 36326 to 36328, 36330 and two each 218b and 50004B..	8 00
36028	4857	Feed Dog for 36027 and 36444.....	4 00
36029	—	Presser Foot Plate for 36031.....	2 75
36030	—	" " Shank for 36031 and 36446..	75
36031	4857	Presser Foot (hinged) complete for 36027, Nos. 26276, 36029 and 36030.....	3 50
36032	4857	Throat Plate for 36028.....	3 50
36037	—	Presser Foot Plate for 36039.....	3 25
36038	—	" " Shank for 36039 and 36127..	75
36039	4853	Presser Foot (hinged) with right hand edge folder, complete, for top facings for shoe linings, for 36040, Nos. 26276, 36037 and 36038.....	4 00
36040	4853	Edge Guide for 36039 for 62-25 Machine..	50
36126	—	Presser Foot Plate for 36127.....	3 25
36127	4853	Presser Foot (hinged) with left hand edge folder, complete, for top facings for shoe linings, for 36128, Nos. 26276, 36038 and 36126.....	4 00

NO.	PLATE	NAME	EACH
36128	4853	Edge Guide for 36127 for 62-25 Machine.	\$ 50
36144	6478	Strip Folder on Slide 18114, to fold over the edges so that they will meet in centre with two lines of braid effect on under side of strip produced by coarse looper thread, for 62-36 Machine.	4 50
36145	—	Presser Foot Plate for 36146.	1 75
36146	6478	Presser Foot (hinged) complete, grooved on bottom for 36144, Nos. 26276, 36145 and 46087.	2 50
36191	4858	Hemmer on Shank for 36193.	5 50
36192	4850	Binder Hinge Plate for 36199.	1 50
36192	4850	Edge Folder Hinge Plate for 36545.	1 50
36192	4858	Hemmer Hinge Plate for 36193.	1 50
36193	4858	Hemmer on Shank (hinged) complete, for towels, for 62-25 Machine, Nos. 1425D, 36006, 36191 and 36192.	7 00
36194	4851	Feed Dog for 36193 and 36199.	1 50
36195	—	Presser Foot Plate for 36196.	2 25
36196	4851	Presser Foot (hinged) complete for 36193, Nos. 26276, 36195 and 46057.	3 00
36197	4851	Throat Plate for 36191.	1 25
36198	4850	Binder on Shank for 36199.	6 50
36199	4850	Binder on Shank (hinged) complete, for mattress work, for 62-25 Machine, Nos. 1425D, 36006, 36192 and 36198.	8 00
36200	—	Presser Foot Body for 36203.	2 00
36201	4851	" " Tension Plate with 36202, for 36203.	1 00
36202	4851	Presser Foot Tension Plate Guide Pin for 36201.	15
36203	4851	Presser Foot (tension plate) complete for 36199, Nos. 93H, 2656, 36200 and 36201.	3 00
36301	6475	Lap Seam Feller, to turn top edge only, for 62-25 Machine.	2 50
36302	6475	Feed Dog for 36301.	1 00
36303	6475	Presser Foot for 36301.	1 00
36304	6475	Throat Plate for 36302.	1 00
36305	4847	Binder with 36306 and two 1443F, for 62-28 Machine.	11 00
Nos. 36306 TO 36308 FOR 36305 AND 36498.			
36306	4847	Binder Bracket with two 194D.	2 00
36307	4848	" " Lock Spring.	75
36308	4847	" " Plate.	1 50
Nos. 36326 TO 36328 FOR 36027.			
36326	4856	Folder.	4 50

NO.	PLATE	NAME	EACH
36327	4856	Folder Block.	\$ 50
36328	4856	" Tongue with 36567.	2 25
36330	4856	" Slide for 36027.	75
Nos. 36347 TO 36349 FOR 36350.			
36347	6477	Presser Foot Guide.	1 25
36348	—	" " Plate.	2 00
36349	—	" " Shank.	75
36350	6477	Presser Foot (spring hinged) complete, with right hand stationary guide, for 26272, Nos. 233D, 26276, 35250 and 36347 to 36349.	4 00
36352	—	Presser Foot Plate for 36354.	7 25
36353	—	" " Shank for 36354, 36356 and 36358.	75
36354	6554	Presser Foot (strip folding) hinged, complete, for general work, for 62-42 Machine, 36360 and 36364, Nos. 26276, 36352 and 36353.	8 00
36355	—	Presser Foot Plate for 36356.	7 25
36356	6554	Presser Foot (strip folding) hinged, complete, for lawn, for 62-42 Machine, 36360 and 36364, Nos. 26276, 36353 and 36355.	8 00
36357	—	Presser Foot Plate for 36358.	7 75
36358	6554	Presser Foot (strip folding) hinged, complete, grooved for $\frac{1}{16}$ in. to $\frac{1}{8}$ in. cord, for cord covered headings, for 62-42 Machine, 36360 and 36364, Nos. 26276, 36353 and 36357.	8 50
36359	6481	Edge Folder (adjustable) on Shank, for bottom of skirts, etc., for 46470, obsolete.	8 00
Nos. 36360 TO 36362 FOR 52513 FOR 62-42 MACHINE			
36360	4852	Edge Folder on Shank, for joined or endless ruffles, for right hand needle only, to be used with either 36354, 36356 or 36358.	3 50
36361	4852	Edge Folder on Shank, for folded headings, used without covering strip, for two row stitching.	3 50
36362	4852	Edge Folder on Shank, for folded headings (3/8 in. wide) used without covering strip, for two row stitching.	4 00
36363	4854	Edge Guide (adjustable) on Shank, for bottom of skirts, etc., for 46470 for 62-42 Machine.	3 50

NO.	PLATE	NAME	EACH
36364	4852	Edge Guide on Shank, for joined or endless ruffles, for right hand needle only, for 52513 for 62-42 Machine, to be used with either 36354, 36356 or 36358.....	\$3 00
36380	4851	Lifting Presser Foot for 35269 for 62-27 Machine.....	80
36381	4851	Vibrating Presser Foot for 35269 for 62-27 Machine.....	80
36384	4849	Lap Seam Guide on Shank for 62-44 Machine.....	1 25
36417	4851	Feed Dog for 35269.....	75
36418	4851	Presser Foot for 35269 for 62-26 Machine	75
Nos. 36440 TO 36443 FOR 36444.			
36440	4855	Folder.....	6 75
36441	4855	" Block.....	75
36442	4855	" Tongue.....	3 50
36443	4855	" Slide.....	1 00
36444	4855	Folder on Slide complete, for buckle straps, for short lengths of material, for 62-38 Machine, Nos. 36440 to 36443 and two each 131b and 50004b.....	12 00
36445	—	Presser Foot Plate for 36446.....	2 75
36446	4857	Presser Foot (hinged) complete for 36444, Nos. 26276, 36030 and 36445.....	3 50
36473	4849	Binder on Block with two 910F, for 62-48 Machine.....	4 00
36474	4849	Binder Pin (long) for 36476.....	01
36475	4849	" " (short) for 36476.....	01
36476	4849	" Plate with 36474 and 36475, for 36473.....	50
36498	4847	Binder with 36306, 36499 and two each 662D and 1443F, for neck binding, for selvage edge material, for 62-28 Machine	12 00
36499	4848	Binder Tension Spring for 36498.....	75
36528	6556	Presser Foot for 36532.....	6 75
36529	6556	" " Edge Folder for 36532.....	4 50
36530	6556	" " " Guide for 36532.....	3 00
36530	6556	" " " " (lower) for 36540	3 00
36531	6556	" " Ruffle Retaining Blade for 36532 and 36540.....	75
36532	6556	Presser Foot complete, with left hand upper folder and right hand lower guide, for 62-43 Machine, Nos. 36528 to 36531, two 664D and four 665D.....	15 00

NO.	PLATE	NAME	EACH
Nos. 36533 TO 36536 FOR 36537.			
36533	6557	Presser Foot.....	\$5 00
36534	6557	" " Edge Folder (lower).....	5 00
36535	6557	" " " " (upper).....	4 50
36536	6557	" " Ruffle Retaining Blade.....	50
36537	6557	Presser Foot (lap seam feller) complete for 62-43 Machine, Nos. 36533 to 36536 and six 665D.....	15 00
36538	6558	Presser Foot (strip folding) for 36540.....	10 00
36539	6558	" " Edge Guide (upper) for 36540.....	3 00
36540	6558	Presser Foot (strip folding) complete, with right hand upper guide and left hand lower guide, for 62-43 Machine, Nos. 36530, 36531, 36538, 36539, two 664D and four 665D.....	17 00
36541	4849	Strip Folder on Shank for 62-43 Machine.	3 00
36544	4850	Edge Folder on Shank for 36545.....	6 50
36545	4850	Edge Folder on Shank (hinged) complete, for bottom of skirts, etc., for 62-42 Machine, Nos. 1425D, 36006, 36192 and 36544.....	8 00
36557	4846	Guide Chip Guard for 36573 for 62-32 Machine.....	15
36567	4856	Folder Tongue Tip for 36328.....	50
36573	4846	Guide (cast iron) for 62-32 Machine.....	15
36596	4848	Binder Edge Guide for 36305.....	50
36599	6476	Lap Seam Feller (right hand) on Slide 18114 for 62-36 Machine.....	3 40
36600	6478	Feed Dog, for 1/4 in. to 3/8 in. gauge, for 36599 and 36609.....	2 00
36601	—	Presser Foot Plate for 36603.....	1 75
36602	—	" " Shank for 36603.....	75
36603	6478	Presser Foot (hinged) complete for 36599 and 36609, Nos. 26276, 36601 and 36602	2 50
36604	6478	Throat Plate for 36600.....	1 75
36609	6476	Lap Seam Feller (left hand) on Slide 18114 for 62-36 Machine.....	3 40
36627	6584	Edge Folder (left hand) on Slide with separating blade and left hand upper guide, for 62-29 Machine.....	4 50
36628	6570	Strip Folder for 36630.....	10 00
36629	6570	" " Foot for 36630.....	4 00
36630	6570	Strip Folder with Presser Foot complete, for folding the top edging of casket lining, for 62-29 Machine, Nos. 76D, 197D, 2818, 36628, 36629 and 36631.....	15 00

NO.	PLATE	NAME	EACH
36631	6570	Strip Folder Ruffling Blade Tripping Arm for 36630.....	\$1 00
38008	6492	Needle Bar (hollow) with 857H, for 62-30 Machine.....	75
38010	—	Presser Foot Shank for 38048 and obsolete for 38366.....	60
38012	6495	Roller Presser complete, 1¼ in. coarse roller, for 46065 for 62-26 Machine, Nos. 176b, 440F, 1549b, 1923, 2205, 12257, 46037, two 316F and three 1547D.....	1 05
38014	—	Presser Foot Plate for 46309.....	1 75
38043	—	“ “ “ 38041.....	1 00
38044	6547	Presser Foot (hinged) complete for 62-30 Machine, Nos. 11833, 23907 and 38013.....	1 75
38047	—	Presser Foot Plate for 38048.....	65
38048	6544	Presser Foot (hinged) complete for 38428 and 52552 for 62-26 Machine, Nos. 7298, 38010 and 38047.....	1 25
38081	6541	Roller Needle Guard with 242b and 38082, for 24000 and 38286, obsolete.....	75
38082	6541	Roller Needle Guard Edge Guide for 38081, obsolete.....	20
38093	6508	Needle Bar (hollow) with 1072F, for 62-32 Machine.....	60
38094	6548	Throat Plate Cutting Bar for 46426 and 52727.....	30
38095	6565	Throat Plate Slide for 46426, obsolete.....	20
38096	6548	“ “ “ Spring for 46426 and 52727.....	05
38100	6532	Oil Cup Packing (felt) for 46381.....	01
38100	6532	“ “ (front of arm) Packing (felt) for 46381.....	01
38105H	6486	Cloth Plate Slide (right) with 1602H, for 46079.....	30
*38127	—	Feed Eccentric for 38128 and 52731.....	2 50
*38127	—	“ (lower) Eccentric for 38128.....	2 50
38128	6491	Feed Eccentric (adjustable) complete for 62-25 to 62-27, 62-29 to 62-32, 62-35 to 62-42, 62-44 to 62-46, 62-48, 62-50, 62-51 and 62-53 Machines, Nos. 196F, 934b, 1103c, 21331, 21332, 23729, 38127 and two 443c.....	5 00
38128	6491	Feed (lower) Eccentric (adjustable) complete for 62-47 Machine, Nos. 196F, 934b, 1103c, 21331, 21332, 23729, 38127 and two 443c.....	5 00

NO.	PLATE	NAME	EACH
38150	6532	Cutting Plate for 46331 and 52636, obsolete.....	\$ 40
38152	6503	Cutting Plate Adjusting Slide for 46331 and 52636.....	2 00
38155	6503	Cutting Plate Friction Plate for 46331 and 52636.....	25
38179	6582	Ruffling Arm (upper) with two 190b, for 52806.....	1 25
*38184	—	Ruffling Regulator Connecting Rod Cap for 52812.....	—
38209	6510	Thread (under) Nipper Eccentric with 465c, for 62-25 and 62-35 Machines, obsolete.....	50
38210	6497	Thread (under) Nipper Spring (lower)....	15
38211	6497	“ “ “ “ (upper)....	25
38219	6541	Roller Arm for 21000 and 52671.....	15
38225	6497	Thread (under) Eyelet (back).....	10
38284	6497	“ “ “ (front).....	05
38285	6541	Roller Arm for 38286 and 52670.....	15
38286	6541	Roller Presser complete, ¾ in. coarse roller, for 62-37 Machine, Nos. 171F, 176b, 440F, 1549b, 1868, 7556, 38081, 38285, 38302, two 316F and three 1547D, obsolete.....	1 75
38296H	—	Cloth Plate Slide (right) with 1602H, for 46097, obsolete.....	30
38302	6541	Roller Arm Bracket for 21000, 38286, 52670 and 52671.....	20
38329	6491	Arm Rotary Shaft Collar with two 457c, for all machines except 62-42.....	25
38365	—	Presser Foot Plate for 38366.....	1 00
38366	6551	Presser Foot (hinged) complete for 46065 for 62-37 Machine, Nos. 7298, 38365 and 46091.....	1 75
38384	2114	Lifting Lever Connecting Rod for 38385, 52524, 52551 and 52606.....	05
38385	—	Knee Lifter complete (bench stand) for 62-25 to 62-28, 62-30, 62-31, 62-35 to 62-41, 62-43 to 62-46 and 62-48 to 62-51 Machines, Nos. 802b, 1002b, 23759, 23761, 23767 and 38384.....	1 60
38393	6493	Looper Thread Guard for 38434, 46066, 46203, 46335 and 52618.....	03
38393	6493	Looper (back) Thread Guard for 52536..	03
*38410	—	Arm, upper and lower (solid) for 62-25 and 62-26 Machines, obsolete.....	20 00

NO.	PLATE	NAME	EACH
38411	6531	Arm Rock Shaft Crank (back) with two 1497c, for 62-25 to 62-27, 62-30, 62-31, 62-35 to 62-37, 62-39 to 62-41, 62-45 and 62-46 Machines, obsolete.....	\$ 80
38412	6491	Arm Rock Shaft Crank (front) with 443c, for 62-25, 62-26, 62-28 to 62-31, 62-35 to 62-40, 62-42, 62-43, 62-45, 62-46, 62-48 to 62-51 and 62-53 Machines..	1 25
38413	6482	Arm Rotary Shaft for 62-25 to 62-27, 62-30, 62-35 to 62-37, 62-39 to 62-41, 62-45 and 62-46 Machines, obsolete.....	3 00
38414	6483	Cloth Plate for 38421, 46109, 46256 and 52529.....	2 50
38415	—	Cloth Plate Slide (large) with 1602n, for 38417.....	60
38416	6500	Cloth Plate Slide (large) Spring for 38417, 46108, 46255, 46265, 46470 and 52528.	05
38416	6500	Cloth Plate Slide (large) Spring (right) for 46435.....	05
38417	6486	Cloth Plate Slide (large) complete for 38421, Nos. 38415, two 38416 and four 725n.....	75
38418	—	Cloth Plate Slide (left) for 38420.....	30
38418	—	“ “ “ (small) for 38420.....	30
38419	6500	“ “ “ (left) Spring for 38420, 46323n, 46462 and 52649n.....	05
38419	6500	Cloth Plate Slide (small) Spring for 38420 and 46437.....	05
38420	6486	Cloth Plate Slide (left) complete for 46401, Nos. 38418, 38419 and two 725n.....	40
38420	6486	Cloth Plate Slide (small) complete for 38421, 46097, 46109, 46256, 46266, 46471, 52529 and 52687, Nos. 38418, 38419 and two 725n.....	40
38421	—	Cloth Plate complete for 62-25, 62-35, 62-37, 62-39, 62-41, 62-47, 62-50 and 62-51 Machines, Nos. 38414, 38417 and 38420.....	3 65
38422	6538	Crank Connecting Rod with 38423 and two 158e, for 62-25, 62-26, 62-35 to 62-40 and 62-46 Machines, obsolete...	1 25
*38423	—	Crank Connecting Rod Cap for 38422, obsolete.....	—
38424	6514	Face Plate for 62-25, 62-26, 62-35 and 62-36 Machines, obsolete.....	50

NO.	PLATE	NAME	EACH
38425	6490	Feed Bar with 231c and 460c, for 62-25 to 62-27, 62-29, 62-32, 62-35 to 62-46, 62-48, 62-50, 62-51 and 62-53 Machines	\$2 50
38425	6490	Feed (back) Bar with 231c and 460c, for 62-28 Machine.....	2 50
38425	6490	Feed (lower) Bar with 231c and 460c, for 62-47 Machine.....	2 50
38426	6491	Feed Bar Slide Block for 62-25 to 62-27, 62-29 to 62-32, 62-35 to 62-46, 62-48, 62-50, 62-51 and 62-53 Machines.....	50
38426	6491	Feed (back) Bar Slide Block for 62-28 and 62-49 Machines.....	50
38426	6491	Feed (lower) Bar Slide Block for 62-47 Machine.....	50
38427	6490	Feed Connecting Rod with 1057e, 23865 and two 896e, for 62-25 to 62-27, 62-29 to 62-32, 62-35 to 62-46, 62-48, 62-50, 62-51 and 62-53 Machines.....	1 50
38427	6490	Feed (back) Connecting Rod with 1057e, 23865 and two 896e, for 62-28 and 62-49 Machines.....	1 50
38427	6490	Feed (lower) Connecting Rod with 1057e, 23865 and two 896e, for 62-47 Machine	1 50
38428	6512	Feed Dog, 15 teeth (16 teeth to the inch) for 62-25 to 62-27 and 62-51 Machines.	75
38429	6491	Feed Lifting Eccentric with two 465c, for 62-25 to 62-27, 62-29, 62-30, 62-32, 62-35 to 62-46, 62-50, 62-51 and 62-53 Machines.....	1 00
38429	6491	Feed (back) Lifting Eccentric with two 465c, for 62-28 Machine.....	1 00
38429	6491	Feed (lower) Lifting Eccentric with two 465c, for 62-17 Machine.....	1 00
38430	6531	Feed Lifting Eccentric Cover for 62-25, 62-26 and 62-35 to 62-37 Machines, obsolete.....	10
38431	6492	Feed Rocking Frame for 62-25 to 62-27, 62-29 to 62-32, 62-35 to 62-46, 62-48, 62-50, 62-51 and 62-53 Machines.....	1 25
38431	6492	Feed (lower) Rocking Frame for 62-47 Machine.....	1 25
38432	6492	Feed Rocking Frame Bracket with two 465c, for 62-25 to 62-32, 62-35 to 62-46, 62-49 to 62-51 and 62-53 Machines...	50
38432	6492	Feed (lower) Rocking Frame Bracket with two 465c, for 62-47 Machine.....	50



NO.	PLATE	NAME	EACH
38433	6492	Feed Rocking Frame Hinge Pin for all machines except 62-47.....	\$ 50
38433	6492	Feed (lower) Rocking Frame Hinge Pin for 62-47 Machine.....	50
38434	6529	Looper with 590D and 38393, for 62-25 Machine, obsolete, use 46335.....	2 25
38435	6512	Looper Bell Crank for 62-46 Machine and obsolete for 62-25 to 62-27, 62-30, 62-31, 62-35 to 62-37, 62-39 to 62-41 and 62-45 Machines.....	50
38436	6490	Looper Bell Crank Hinge Stud.....	1 00
38437	6538	" " " Pitman with 7320, 38438 and four 187D, for 62-25 to 62-27, 62-30, 62-31, 62-35 to 62-37, 62-39 to 62-41, 62-45 and 62-46 Machines, obsolete, use 46101.....	2 00
*38438	—	Looper Bell Crank Pitman Cap (upper) for 38437, obsolete.....	35
38439	6493	Looper Carrier with 1143c and two 1147c, for 62-25 to 62-32, 62-37 to 62-41, 62-50 and 62-51 Machines.....	1 50
38440	6493	Looper Carrier Hinge Pin.....	20
38441	6538	Looper Carrier Pitman complete for 62-25 to 62-27, 62-30, 62-31, 62-35 to 62-41, 62-45 and 62-46 Machines, Nos. 1697E, 1698E and 38445 to 38447, obsolete.....	3 25
38442	6529	Looper Carrier Pitman Ball Stud (left) for 38445.....	25
*38443	—	Looper Carrier Pitman End Bearing (left) for 38445.....	—
*38444	—	Looper Carrier Pitman End Bearing (right) for 38446.....	—
38445	6512	Looper Carrier Pitman Head (left) for 38441, 46175 and 52620, Nos. 38442, 38443, 42525 and two 187E.....	1 50
38446	6512	Looper Carrier Pitman Head (right) for 38441, 46175 and 52620, Nos. 38444, 42524, 50016c and two 187E.....	1 50
38447	6538	Looper Carrier Pitman Rod for 38441, obsolete, use 46243.....	10
38448	—	No. cancelled.	—
38449	6540	Looper Carrier Rock Shaft for 62-25 and 62-35 Machines, obsolete.....	2 50
38450	6493	Looper Carrier Rock Shaft Crank (forked) with 159E.....	2 00
38451	6493	Looper Carrier Rock Shaft Crank Slide Block.....	50

NO.	PLATE	NAME	EACH
38452	6493	Looper Eccentric with two 465c, for all machines except 62-38.....	\$1 00
38453	6494	Looper Shaft for all machines except 62-31, 62-48 and 62-49.....	50
38454	6540	Looper Shaft Bracket for 62-25 to 62-28, 62-30, 62-32, 62-35 to 62-44, 62-46, 62-47 and 62-50 Machines, obsolete, use 52553.....	30
38451	6540	Looper Shaft and Feed Lifting Eccentric Bracket for 62-31 and 62-48 Machines, obsolete, use 52553.....	30
38455	6492	Needle Bar (hollow) with 857H, for 62-25 to 62-29, 62-31, 62-48, 62-49 and 62-51 Machines.....	1 00
38456	6493	Lifting Presser Bar Bushing (upper) for 62-27, 62-32, 62-41, 62-44 and 62-47 Machines.....	50
38456	6493	Needle Bar Bushing.....	50
38456	6493	Presser Bar Bushing (upper) for 62-25, 62-26, 62-28 to 62-31, 62-35 to 62-40, 62-42, 62-43, 62-45, 62-46 and 62-48 to 62-51 and 62-53 Machines.....	50
38457	—	No. cancelled.	—
38458	6494	Needle Bar Connecting Link for 62-25 to 62-31, 62-35 to 62-37, 62-39 to 62-44, 62-46 to 62-49, 62-51 and 62-53 Machines.....	50
38459	6491	Needle Bar Connecting Link Hinge Stud.....	30
38460	6494	" " " Stud with two 391E, for 62-25 to 62-31, 62-35 to 62-37, 62-39 to 62-44, 62-46 to 62-49, 62-51 and 62-53 Machines.....	1 00
38461	6510	Needle Guard for 62-25 Machine, obsolete.....	75
38461	6510	" " (back) for 62-35, 62-44 and 62-47 Machines.....	75
38462	6533	Oil Cup with 38463, for 62-26 and 62-27 Machines.....	20
38463	6533	Oil Cup Packing (felt) for 38462 and 46002.....	02
38463	6533	Oil Cup (tension) Packing (felt) for 46002.....	02
38464	6491	Lifting Presser Bar Bushing (lower) for 62-32 Machine, obsolete.....	80
38464	6494	Presser Bar Bushing (lower) for 62-25, 62-28, 62-29, 62-35, 62-36, 62-38 to 62-40, 62-43, 62-46, 62-48, 62-51 and 62-53 Machines and obsolete for 62-45 Machine.....	80

NO.	PLATE	NAME	EACH
38465	---	No. cancelled.	
38466	6494	Presser Bar Lifting Bracket with 453c and 892c, for 62-25, 62-26, 62-28 to 62-31, 62-35 to 62-40, 62-43, 62-45, 62-46, 62-48 to 62-51 and 62-53 Machines	\$1 00
38467	6492	Lifting Presser Bar Spring (flat) for 62-27, 62-41 and 62-44 Machines	50
38467	6492	Presser Bar Spring (flat) for 62-25, 62-28 to 62-31, 62-36 to 62-40, 62-42, 62-43, 62-46, 62-48 to 62-51 and 62-53 Machines and obsolete for 62-35 Machine	50
38468	6494	Lifting Presser Bar Spring Stud for 62-27, 62-32, 62-41, 62-44 and 62-47 Machines	03
38468	6494	Presser Bar Spring Stud for 62-25, 62-26, 62-28 to 62-31, 62-35 to 62-40, 62-42, 62-43, 62-45, 62-46, 62-48 to 62-51 and 62-53 Machines	03
38469	---	Presser Foot Plate for 38471	85
38470	---	" " Shank for 38471	65
38471	6544	Presser Foot (hinged) complete for 62-25 Machine, Nos. 2532, 38469 and 38470	1 50
38472	6496	Slack Thread Regulator for 62-25, 62-26, 62-28 and 62-29 Machines	1 50
38473	6496	Slack Thread Regulator Bracket with 172c and 1823, for 62-25, 62-26, 62-28, 62-29, 62-35 to 62-38, 62-43 and 62-53 Machines	1 25
38474	6496	Slack Thread Regulator Bushing for 62-25, 62-26, 62-28, 62-29, 62-35 to 62-38, 62-43, 62-48, 62-49 and 62-53 Machines	20
38474	6496	Thread (upper) Controller Bushing for 62-46 Machine and obsolete for 62-45 Machine	20
38474	6496	Thread (upper) Controller (right) Bushing for 62-38 Machine, obsolete	20
38475	6497	Thread (under) Take-up with 465c, for all machines except 62-38, 62-45 and 62-50	1 00
38476	6497	Thread (under) Take-up Thread Guard (left)	15
38477	6497	Thread (under) Take-up Thread Guard (right)	20
38478	6497	Thread (under) Take-up Staple with two each 590b and 38481, for 62-25 to 62-32, 62-37, 62-39 to 62-41 and 62-48 to 62-51 Machines	75
38479	6538	Thread (under) Take-up Staple Bracket for 62-25 and 62-35 Machines, obsolete	2 00

NO.	PLATE	NAME	EACH
38480	6540	Thread (under) Take-up Staple Spring for 62-25 and 62-35 Machines, obsolete	\$ 05
38484	6497	Thread (under) Take-up Staple Thread Guard for 38478	40
38482	6497	Thread (under) Take-up Stripper for all machines except 62-38, 62-45 and 62-50	60
38483	6496	Thread (upper) Controller for 62-25 to 62-32, 62-35 to 62-37, 62-39 to 62-41, 62-48, 62-49, 62-51 and 62-53 Machines	40
38484	6496	Thread (upper) Eyelet for 62-25, 62-26, 62-28, 62-29 and 62-51 Machines	25
38485	6496	Thread (under) Take-up with 457c, for 62-25, 62-26, 62-28 and 62-29 Machines	80
38486	6542	Throat Plate for 38428 and 52552 for 62-25 Machine	1 00
38487	2112	Threading Wire (Attachments and Accessories)	05
38488	---	Arm, upper and lower (solid) for 62-35 to 62-37 Machines, obsolete	20 00
38489	---	Arm Side Cover (upper) for 38490, obsolete	15
38490	6538	Arm Side Cover (upper) 38489 with 38491 and two 26092, for 62-26, 62-35 to 62-39, 62-45 and 62-46 Machines, obsolete	25
38491	6531	Arm Side Cover (upper) Thread Eyelet (double) for 38490, obsolete	40
38492	6549	Feed Dog for 62-35 Machine	2 75
38493	6510	Looper (back) with 590b and 38494, for 62-35 and 62-36 Machines	2 25
38494	6510	Looper (back) Thread Guard (double) for 38493	05
38495	6510	Looper (front) for 62-35 and 62-36 Machines	2 25
38496	6510	Looper Carrier with 1120c and three 1147c, for 62-35, 62-36 and 62-42 to 62-47 Machines	1 75
38497	6538	Needle Bar (hollow) with 15588, for 38498, obsolete	60
38498	---	Needle Bar complete for 62-35 Machine, Nos. 8569, 38497 and 38499, obsolete, use 46052	1 20
38499	6540	Needle Clamp with 38500 and two 1498e, for 38498, obsolete	60
38500	6540	Needle Clamp Thread Guide for 38499, obsolete	03
40247	6504	Feed (upper) Connecting Rod Hinge Pin for 62-47 Machine	05

NO.	PLATE	NAME	EACH
40247	6504	Knife (movable) Connection Hinge Pin for 62-31 and 62-49 Machines.....	\$ 05
41338	362	Under Driver Lever for 27644.....	25
41434	5571	Thread Unwinder Spool Rest for 41435..	40
41435	—	" " " " 41434 with 1149c and three each 155c and 27623, for 41438.....	75
41438	5571	Thread Unwinder complete, for three large spools or three large cones of thread, Nos. 27940, 41435, 41632, 41640 and three each 27739, 41514 and wood screws 1 in. No. 12.....	2 30
41514	2837	Thread Unwinder Spool Weight, 4 in. diam., with 41515, for 41438, 41533 and 41537.....	15
41515	6531	Thread Unwinder Spool Weight Centre Pin for 41514.....	05
41530	2837	Thread Unwinder Spool Rest for 41531..	30
41531	—	" " " " 41530 with 1149c and two each 155c and 27623, for 41533.....	50
41533	2837	Thread Unwinder complete, for two large spools or two large cones of thread, Nos. 27940, 41531, 41631, 41640, two each 27739, 41514 and three wood screws 1 in. No. 12.....	1 80
41534	2838	Thread Unwinder Spool Rest for 41535..	50
41535	—	" " " " 41534 with 1149c and four each 155c and 27623, for 41537.....	1 00
41537	2838	Thread Unwinder complete, for four large spools or four large cones of thread, Nos. 27940, 41535, 41633, 41640, three wood screws 1 in. No. 12 and four each 27739 and 41514.....	2 80
41569	6531	Thread Unwinder Thread Guard Eyelet for 41631 to 41633.....	02
41631	2837	Thread Unwinder Thread Guard with 208E and two 41569, for 41533.....	35
41632	5571	Thread Unwinder Thread Guard with 208E and three 41569, for 41438.....	40
41633	2838	Thread Unwinder Thread Guard with 208E and four 41569, for 41537.....	45
Nos. 41637 TO 41639 FOR 41640.			
41637	2837	Thread Unwinder Thread Guard Rod (lower).....	10

NO.	PLATE	NAME	EACH
41638	2837	Thread Unwinder Thread Guard Rod (upper).....	\$ 15
41639	2837	Thread Unwinder Thread Guard Rod Coupling with two 456c.....	20
41640	—	Thread Unwinder Thread Guard Rod complete, 30 in. long, for 41438, 41533 and 41537, Nos. 41637 to 41639.....	45
41717	—	Knife Grinder Knife Holder Body for 41719.....	25
41718	—	Knife Grinder Knife Holder Body for 41720.....	25
41719	6536	Knife Grinder Knife Holder complete for 46345 and 52744 for 41721, Nos. 38D, 574D, 1528H, 1656D, 11833 and 41717..	65
41720	6536	Knife Grinder Knife Holder complete for 46351 for 41721, Nos. 38D, 574D, 1528H, 1656D, 11833 and 41718.....	65
41721	—	Knife Grinder complete for 46345, 46351 and 52744, for 62-31 and 62-49 Machines, Nos. 261D, 1508E, 27323, 27564, 27565, 27567, 27569, 27572, 27573, 27659, 27662, 27822, 41719, 41720, two 27568, three wood screws 1 in. No. 10 and four each 310E and 1516D..	5 00
42007	6506	Knife Bar Guide Bar for 62-32 Machine..	15
42121	6196	Tension (under thread) Spring for 62-38, 62-45 and 62-46 Machines.....	03
*42524	—	Looper Carrier Pitman Cap (right) for 38446.....	—
*42525	—	Looper Carrier Pitman Cap (left) for 38445.....	—
46001	6510	Needle Guard (front) for 62-35 and 62-47 Machines and for $\frac{3}{4}$ in. to $\frac{5}{2}$ in. gauge for 62-36 and 62-44 Machines.....	75
46002	6533	Oil Cup with two 38463, for 62-39 and 62-47 Machines.....	30
46002	6533	Oil Cup (tension) double, with two 38463, for 62-35, 62-37, 62-41 and 62-44 Machines.....	30
46003	6533	Oil Cup (take-up) with 12443, for 62-35 and 62-37 Machines.....	30
46004	6549	Presser Foot with 46005, 46006 and four 1208D, for 62-35 Machine.....	2 50
46005	6549	Presser Foot Needle Guard (left) for 46004 and 46215.....	25
46006	6549	Presser Foot Needle Guard (right) for 46004 and 46215.....	25

NO.	PLATE	NAME	EACH
46007	6510	Slack Thread Regulator for 62-35 to 62-37, 62-43 and 62-53 Machines.....	\$1 25
46008	—	No. cancelled, order 46017.	
46009	6510	Thread (upper) Controller (right) Thread Eyelet for 62-38 Machine, obsolete....	25
46009	6510	Thread (upper) Eyelet for 62-35 to 62-37, 62-40, 62-42, 62-43 and 62-53 Machines	25
46010	6510	Thread (upper) Take-up with 457c, for 62-35 to 62-37, 62-42, 62-43 and 62-53 Machines.....	80
46011	6549	Throat Plate for 38492.....	1 75
46034	6496	Slack Thread Controller for 62-25, 62-26, 62-28, 62-29, 62-35 to 62-37, 62-42, 62-43, 62-46 and 62-53 Machines and obsolete for 62-38 Machine.....	05
46035	6518	Ruffling Separating Blade Bar Handle Stop Clamp for 62-12 Machine.....	10
46035	6496	Slack Thread Controller Clamp for 62-25, 62-26, 62-28, 62-29, 62-35 to 62-38, 62-42, 62-43, 62-45, 62-46, 62-50 and 62-53 Machines.....	10
46037	6495	Roller Arm Bracket for 38012.....	20
46040	6498	Thread (under) Take-up Staple Bracket with 910c, for all machines except 62-43	2 00
46041	6497	Thread (under) Take-up Staple Spring..	05
46042	6493	Looper Carrier Rock Shaft with two 175b.....	2 50
46043	6493	Looper Carrier Rock Shaft Hinge Pin....	75
46046	2112	Threading Wire (Accessories) for 62-25 and 62-35 Machines, obsolete, use 38487	05
46047	6510	Thread (under) Take-up Staple for 62-35, 62-36, 62-42 to 62-44, 62-46, 62-47 and 62-53 Machines and obsolete for 62-45 Machine.....	4 50
46048	—	No. cancelled.	
46049	6497	Thread (under) Nipper Cam with 465c..	50
46050	6494	Needle Guard for 62-25 to 62-29, 62-37, 62-39 to 62-41, 62-50 and 62-51 Machines and obsolete for 62-31, 62-32 and 62-49 Machines.....	75
46051	6508	Needle Bar for 46052, 46117 and 46268..	60
46052	—	Needle Bar complete for 62-35, 62-36, 62-44, 62-47 and 62-53 Machines, Nos. 46051 and 46053.....	1 20
46053	6510	Needle Clamp with 46054 and two 1072F, for 46052.....	60

NO.	PLATE	NAME	EACH
46054	6510	Needle Clamp Thread Guide (two pieces) for 46053.....	\$ 03
46055	6543	Feed Dog, for shoe linings, for 62-25 Machine and for 36010 and 36128 for the same machine.....	1 50
46056	—	Presser Foot Plate for 46058.....	1 40
46057	—	“ “ Shank for 36196, 46058 and 46077.....	60
46058	6544	Presser Foot (hinged) complete for 62-25 Machine, Nos. 26276, 46056 and 46057	2 00
46059	6543	Throat Plate for 46055.....	1 50
46060	6477	Feed Dog, for $\frac{3}{32}$ in. to $\frac{1}{4}$ in. gauge, for 26272.....	2 75
46061	6477	Throat Plate for 46060 and 52724.....	3 00
46062	6477	Feed Dog, for $\frac{3}{32}$ in. to $\frac{3}{8}$ in. gauge, for 26272.....	2 75
46063	6477	Throat Plate for 46062 and 52655.....	3 00
46064	6511	Face Plate for 62-37 Machine, obsolete..	50
46065	6543	Feed Dog for 62-26, 62-37 and 62-50 Machines and obsolete for 62-32 Machine.....	1 00
46066	6499	Looper with 590b and 38393, for 62-26, 62-27, 62-37, 62-39 to 62-41, 62-50 and 62-51 Machines.....	2 25
46067	6508	Needle Bar (hollow) for 46068 and 46165	60
46068	—	Needle Bar complete for 62-37 Machine, Nos. 2273, 46067, 46069 and 46070, obsolete, use 46165.....	1 50
46069	6540	Needle Clamp with 462F and 46071, for 46068, obsolete, use 46166.....	75
46070	6506	Needle Clamp Gib for 46068 and 46165..	15
46071	6540	“ “ Thread Guide for 46069, obsolete.....	02
46072	6498	Lifting Presser Bar for 62-27 and 62-41 Machines.....	30
46072	6498	Presser Bar for 62-37 and 62-50 Machines	30
46073	6493	Lifting Presser Bar Bushing (lower) for 62-27, 62-32, 62-41, 62-44 and 62-47 Machines.....	80
46073	6493	Lifting Presser Bar Bushing (upper) for 62-44 Machine, obsolete.....	80
46073	6493	Presser Bar Bushing (lower) for 62-26, 62-37 and 62-50 Machines.....	80
46074	6551	Throat Plate with 665b and 46075, for 46065 for 62-37 and 62-50 Machines... 1 50	

NO.	PLATE	NAME	EACH
46075	6542	Throat Plate Thread Retainer for 36007, 46074, 46094, 46095, 46137, 46139, 46172, 46194, 46258, 46274, 46276, 46277, 46308, 46460, 52666 to 52668 and 52785	\$ 10
46076	—	Presser Foot Plate for 46077	65
46077	6544	Presser Foot (hinged) complete for 46055, for glove work, for 62-25 Machine, Nos. 26276, 46057 and 46076	1 25
46078	6484	Cloth Plate for 46079	2 50
46079	—	Cloth Plate complete for 62-29, 62-36, 62-38 and 62-53 Machines, Nos. 286D, 1460H, 38105H, 46078, 46082 and 46462	4 00
46080	6550	Feed Dog, for $\frac{3}{32}$ in. to $\frac{5}{32}$ in. gauge, for general work, for 62-36 Machine and for $\frac{3}{32}$ in. to $\frac{5}{32}$ in. gauge, for 62-53 Machine	2 75
46081	6550	Feed Dog, for $\frac{3}{16}$ in. to $\frac{3}{8}$ in. gauge, for general work, for 62-36 and 62-53 Machines and for 36144	2 75
46082	6501	Folder Holder Seat Cover for 46079	50
46083	6506	Needle Guard (back) for 62-36 Machine	75
46084	6506	" " (front) for $\frac{3}{16}$ in. to $\frac{1}{4}$ in. gauge, for 62-36 and 62-44 Machines	75
46085	6506	Needle Guard (front) for $\frac{5}{16}$ in. to $\frac{3}{8}$ in. gauge, for 62-36 and 62-44 Machines	75
46086	—	Presser Foot Plate for 46088	1 25
46087	—	" " Shank for 36146, 46088, 46155 and 46178	75
46088	6568	Presser Foot (hinged) complete, for general work, for 62-36 and 62-53 Machines, Nos. 26276, 46086 and 46087	2 00
46089	6550	Throat Plate for 46080	2 50
46090	6550	" " 46081	2 75
46091	—	Presser Foot Shank for 38366	75
46092	6492	Lifting Presser Bar for 62-44 and 62-47 Machines	30
46092	6492	Presser Bar for 62-26 and 62-30 Machines	30
46093	6492	" " Spring (flat) for 62-26 Machine	50
46094	6543	Throat Plate with 665D and 46075, for 46065 for 62-26 Machine	1 50
46095	6542	Throat Plate with 665D and 46075, for 38428 for 62-26 and 62-27 Machines and for 52552 for 62-26 Machine	1 50
46096	6484	Cloth Plate for 46097 and 46401	2 50
46097	—	Cloth Plate complete for 62-26 Machine, Nos. 286D, 38296H, 38420 and 46096, obsolete, use 46256	3 25

NO.	PLATE	NAME	EACH
46098	—	Presser Foot Plate for 46100	\$ 65
46099	—	" " Shank for 46100 and 52625	60
46100	6544	Presser Foot (hinged) complete, for drawer finishing, for 46055 for 62-25 Machine, Nos. 26276, 46098 and 46099	1 25
46101	6512	Looper Bell Crank Pitman with 46102, 46103 and four 187D, for 62-46 Machine and obsolete for 62-25 to 62-27, 62-30, 62-31, 62-35 to 62-37, 62-39 to 62-41 and 62-45 Machines	2 00
*46102	—	Looper Bell Crank Pitman Cap (lower) for 46101	30
*46103	—	Looper Bell Crank Pitman Cap (upper) for 46101	35
46104	6499	Looper Needle Guard with 46105, for 62-27, 62-28, 62-32, 62-37 and 62-39 to 62-41 Machines	40
46105	6499	Looper Needle Guard Pin for 46104, 46204, 52622 and 52661	01
46105	6499	Looper (front) Needle Guard Pin for 46377	01
*46106	—	Arm, upper and lower (solid) for 62-45 and 62-46 Machines, obsolete	20 00
46107	—	Cloth Plate Slide (large) for 46108	60
46108	6489	Cloth Plate Slide (large) complete for 46109, Nos. 46107, two 38416 and four 725H	75
46109	—	Cloth Plate complete for 62-46 Machine and for $\frac{1}{32}$ in. to $\frac{3}{64}$ in., $\frac{3}{16}$ in. to $\frac{1}{12}$ in. and $\frac{1}{32}$ in. to $\frac{3}{64}$ in. gauges, for 62-45 Machine, Nos. 38414, 38420 and 46108	3 65
46110	6498	Face Plate for 62-30, 62-31, 62-39, 62-40, 62-46 and 62-51 Machines	50
46111	6533	Face Plate Pin for 62-25, 62-26, 62-28 to 62-31, 62-35 to 62-40, 62-43, 62-45, 62-46, 62-48 to 62-51 and 62-53 Machines	02
46112	6564	Feed Dog, for $\frac{1}{32}$ in. to $\frac{3}{64}$ in., $\frac{1}{4}$ in. to $\frac{1}{12}$ in. and $\frac{1}{32}$ in. to $\frac{3}{64}$ in. gauges, for 62-45 Machine, obsolete	2 25
46113	6500	Feed Lifting Eccentric Cover for 62-25 to 62-27, 62-29, 62-32, 62-35 to 62-46, 62-50, 62-51 and 62-53 Machines	10
46113	6500	Feed (back) Lifting Eccentric Cover for 62-28 Machine	10
46113	6500	Feed (lower) Lifting Eccentric Cover for 62-47 Machine	10

NO.	PLATE	NAME	EACH
46114	6525	Looper (back) with 590b and 46115, for 62-46 Machine and obsolete for 62-45 Machine.....	\$2 25
46115	6511	Looper (back) Thread Guard (double) for 46114, 46375 and 46174.....	05
46116	6525	Looper (front) for 62-46 Machine and obsolete for 62-45 Machine.....	2 25
46117	—	Needle Bar complete for 62-45 and 62-46 Machines, Nos. 46051 and 46122.....	2 25
46118	—	Needle Clamp Body for 46122.....	1 00
46119	6522	“ “ Collar with 46120 and three 457F, for 46122.....	60
46120	6522	Needle Clamp Thread Guard for 46119..	03
46121	6522	“ “ Washer for 46122.....	01
46122	6522	Needle Clamp complete for 46117, Nos. 46118, 46119 and 46121.....	1 60
46123	6523	Needle Guard (back) for 62-46 Machine and for $\frac{1}{32}$ in. to $\frac{3}{64}$ in., $\frac{1}{8}$ in. to $\frac{1}{4}$ in. and $\frac{1}{2}$ in. to $\frac{3}{4}$ in. gauges, for 62-45 Machine.....	75
46124	6523	Needle Guard (front) for 62-46 Machine and for $\frac{1}{32}$ in. to $\frac{3}{64}$ in., $\frac{1}{8}$ in. to $\frac{1}{4}$ in. and $\frac{1}{2}$ in. to $\frac{3}{4}$ in. gauges, for 62-45 Machine.....	75
46125	6508	Presser Bar Spring (flat) for 62-35 and 62-45 Machines.....	50
46126	6561	Presser Foot (right guide) with 337b and 46127, for 62-45 Machine.....	3 00
46127	6561	Presser Foot Guide (right) for 46126....	1 25
Nos. 46128 TO 46130 FOR 62-46 MACHINE AND OBSOLETE FOR 62-45 MACHINE.			
46128	6525	Slack Thread Regulator.....	1 50
46129	6525	“ “ “ Bracket with 190b and 1981.....	1 25
46130	6525	Slack Thread Regulator Bushing.....	20
46131	6525	Thread (upper) Controller for 62-46 Machine and obsolete for 62-45 Machine.....	1 50
46131	6525	Thread (upper) Controller (right) for 62-38 Machine, obsolete.....	1 50
46132	6525	Thread (upper) Controller Eyelet (left) for 62-46 Machine and obsolete for 62-45 Machine.....	35
46133	6525	Thread (upper) Controller Eyelet (right) for 62-46 Machine and obsolete for 62-45 Machine.....	25

NO.	PLATE	NAME	EACH
46134	6525	Thread (upper) Controller Fork for 62-46 Machine and obsolete for 62-45 Machine.....	\$ 80
46134	6525	Thread (upper) Controller (right) Fork for 62-38 Machine, obsolete.....	80
46135	—	No. cancelled.	
46136	6525	Thread (upper) Take-up with 457c, for 62-46 Machine and obsolete for 62-45 Machine.....	90
46137	6564	Throat Plate with two each 665b and 46075, for 46112, obsolete.....	2 25
46138	6564	Feed Dog, for $\frac{1}{32}$ in. to $\frac{3}{64}$ in., $\frac{1}{8}$ in. to $\frac{1}{4}$ in. and $\frac{1}{2}$ in. to $\frac{3}{4}$ in. gauges, for 62-45 Machine, obsolete.....	2 25
46139	6564	Throat Plate with two each 665b and 46075, for 46138, obsolete.....	2 25
46143	6551	Feed Dog for 62-38 Machine.....	2 00
46145	6501	Looper Bell Crank with 1259c, for 62-38 Machine.....	50
Nos. 46149 TO 46152 FOR 62-38 MACHINE.			
46149	6511	Looper Eccentric with two 465c.....	1 00
46150	6508	Needle Bar (hollow) for 46151.....	60
46151	—	Needle Bar complete, Nos. 46150 and 46152.....	1 85
46152	6511	Needle Clamp with two 1498F, for 46151.....	1 25
46154	—	Presser Foot Plate for 46155.....	1 25
46155	6551	Presser Foot (hinged) complete for 62 38 Machine, Nos. 26276, 46087 and 46154.....	2 00
46162	6551	Throat Plate for 46143.....	3 00
*46163	—	Arm, upper and lower (solid) for 62-39 and 62-40 Machines, obsolete.....	20 00
46164	6552	Feed Dog for 62-39 and 62-41 Machines.....	75
46165	—	Needle Bar complete for 62-37, 62-39 and 62-50 Machines and for $\frac{1}{32}$ in., $\frac{3}{64}$ in. and all gauges between these, for 62-40 Machine, Nos. 2273, 46067, 46070 and 46166.....	1 50
46166	6506	Needle Clamp with 462F, for 46165.....	75
46167	6552	Presser Foot with 46168 and two 662b, for 62-39 Machine.....	2 00
46168	6552	Presser Foot Guide for 46167.....	50
46169	6500	Slack Thread Controller for 62-27, 62-30 to 62-32, 62-39 to 62-41, 62-48, 62-49 and 62-51 Machines.....	05
46170	6519	Thread (upper) Eyelet for 62-39, 62-41 and 62-47 Machines.....	25

## NUMERICAL LIST OF PARTS

NO.	PLATE	NAME	EACH
46171	6519	Thread (upper) Take-up with 223D, for 62-39 to 62-41, 62-44 and 62-47 Machines.	\$ 80
46172	6552	Throat Plate with 665D, 46075 and 46304, for 46164.	1 50
46173	6561	Presser Foot (left guide) with 337D and 46174, for 62-45 Machine.	3 00
46174	6561	Presser Foot Guide (left) for 46173.	1 25
46175	6538	Looper Carrier Pitman complete for 62-38 Machine, Nos. 1697E, 1698E, 38445, 38446 and 46176, obsolete.	3 25
46176	6512	Looper Carrier Pitman Rod for 46175 and 46367.	10
46177	—	Presser Foot Plate for 46178.	1 25
46178	6551	Presser Foot (hinged) complete with centre guide for 62-38 Machine, Nos. 26276, 46087 and 46177.	2 00
46179	6490	Face Plate for 62-25, 62-26, 62-28, 62-29, 62-35 to 62-38, 62-43, 62-48, 62-49 and 62-53 Machines.	50
46180	6542	Feed Dog, to guide the material $\frac{1}{8}$ in. from the needle, for 62-25 Machine.	75
46181	—	Presser Foot Plate for 46183.	85
46182	—	" " Shank for 46183.	65
46183	6544	Presser Foot (hinged) complete for 46180, Nos. 26276, 46181 and 46182.	1 50
46184	6542	Throat Plate for 46180.	1 00
46185	6562	Feed Dog, for $\frac{1}{8}$ in., $\frac{3}{16}$ in. and $\frac{1}{16}$ in. gauges, for 62-46 Machine.	1 75
46186	—	Presser Foot Plate for 46188.	2 40
46187	—	" " Shank for 46188 and 46190.	60
46188	6562	Presser Foot (hinged) complete, for continuous tucking, for 62-46 Machine, Nos. 26276, 46186 and 46187.	3 00
46189	—	Presser Foot Plate for 46190.	2 40
46190	6562	Presser Foot (hinged) complete, for space tucking, for 62-46 Machine, Nos. 26276, 46187 and 46189.	3 00
Nos. 46191 to 46193 FOR 62-40 AND 62-46 MACHINES			
46191	6562	Presser Foot Guide (left).	10
46192	6562	" " " (right).	10
46193	6562	" " " Holder with 223F and 1076F.	50
46194	6562	Throat Plate with 46305, 46306 and two each 665D and 46075, for 46185.	3 50

## NUMERICAL LIST OF PARTS

NO.	PLATE	NAME	EACH
Nos. 46195 to 46201 FOR 46202			
46195	6507	Oil Cup (back of arm)	\$1 00
46196	6507	" " " " " Cover with 460c.	35
46197	6532	" " " " " Spring.	10
46198	6532	" " " " " Stripper (felt).	02
46199	6532	Oil Cup (back of arm) Cover Thread Guide.	05
46200	6532	Oil Cup (back of arm) Oil Pad (felt).	02
46201	6532	" " " " " Stripper (felt).	02
46202	—	Oil Cup (back of arm) complete for 62-45 Machine, Nos. 578E, 14057, 46195 to 46197, 46199, two each 46198, 46200, 46201 and four 665D.	1 75
46203	6511	Looper with 590D and 38393, for 62-38 Machine.	2 25
46204	6514	Looper Needle Guard with 46105, for 62-38 Machine.	40
Nos. 46205 TO 46207 FOR 62-38, 62-45 AND 62-50 MACHINES.			
46205	6511	Needle Bar Connecting Link.	40
46206	6511	" " " Stud with two 391E.	1 50
46207	6513	Slack Thread Controller.	20
Nos. 46208 TO 46214 FOR 62-38 MACHINE.			
46208	6513	Slack Thread Regulator.	1 50
46209	6513	" " " Arm.	50
46210	6513	Thread (under) Take-up with 465c.	1 00
46211	6513	" " " Staple.	50
46212	6513	" " " Stripper.	60
46213	6513	" (upper) Controller.	60
46214	6513	" " Take-up.	80
46215	6549	Presser Foot with 46005, 46006 and four 1208D, for staying welted seams, for 62-35 Machine.	3 00
46216	6490	Arm Rock Shaft for 62-25, 62-26, 62-28 to 62-31, 62-35 to 62-40, 62-42, 62-43, 62-46 to 62-49, 62-51 and 62-53 Machines.	1 00
46217	6491	Arm Rock Shaft Crank (back) with two 1497c, for all machines except 62-38.	80
46218	6482	Arm Rotary Shaft for 62-25 to 62-30, 62-32, 62-35 to 62-37, 62-39 to 62-41, 62-43 to 62-47, 62-50, 62-51 and 62-53 Machines.	3 00

NO.	PLATE	NAME	EACH
46260	6523	Needle Guard (front) for $\frac{1}{2}$ in. to $\frac{3}{4}$ in., $\frac{3}{2}$ in. to $\frac{1}{2}$ in. and $\frac{1}{2}$ in. to $\frac{3}{4}$ in. gauges, for 62-45 Machine.....	\$ 75
46261	—	Chain, 13 in. long, for 46263.....	10
46262	6537	Rock Shaft complete for 46263, Nos. 2763, 2770, 6337, 7125, 16647 and two 7539..	1 15
46263	—	Knee Lifter complete (power table) for 62-39 Machine, Nos. 802b, 1002b, 23759, 23761, 46261 and 46262.....	1 70
46264	—	Cloth Plate Slide (large) with 1602H, for 46265.....	60
46265	6488	Cloth Plate Slide (large) complete for 46266, Nos. 46264, two 38416 and four 725H.....	75
46266	—	Cloth Plate complete for 62-40 Machine, Nos. 38420, 46265 and 46278.....	3 65
46267	6566	Feed Dog for 62-40 Machine, obsolete....	1 75
46268	—	Needle Bar complete, for $\frac{3}{2}$ in. to $1\frac{1}{4}$ in. gauge, for 62-40 Machine, Nos. 46051 and 46269.....	1 85
46269	6511	Needle Clamp with two 735F, for $\frac{3}{2}$ in. to $\frac{1}{4}$ in. gauge, for 46268.....	1 25
46270	—	Presser Foot Shank for 46271 to 46273, 46309, 52638, 52641 and 52644.....	75
Nos. 46271 TO 46273 FOR 62-40 MACHINE.			
46271	6553	Presser Foot (hinged) complete for general work, Nos. 18055, 23859 and 46270....	1 75
46272	6553	Presser Foot (hinged) complete, for imita- tion cording and tucking, Nos. 18055, 23777 and 46270.....	2 25
46273	6553	Presser Foot (hinged) complete, for cord- ing, Nos. 18055, 23778 and 46270....	2 25
46274	6566	Throat Plate (flush) with 665D and 46075, for 46267, obsolete.....	2 00
46275	—	Throat Plate Body for 46276 and 46277, obsolete.....	1 90
46276	—	Throat Plate complete for 46267, for imitation cording and tucking, Nos. 665D, 23788, 23789, 46075 and 46275, obsolete.....	3 25
46277	6566	Throat Plate complete for 46267, for cord- ing, Nos. 665D, 23787, 23789, 46075 and 46275, obsolete.....	3 50
46278	6484	Cloth Plate for 46266.....	2 50

NO.	PLATE	NAME	EACH
*46279	—	Arm, upper and lower (solid) for 62-41 Machine and obsolete for 62-27 and 62-44 Machines.....	\$20 00
46280	6499	Arm Rock Shaft Crank (front) with 443c, for 62-27, 62-41 and 62-44 Machines...	1 25
46281	6507	Face Plate with 735c and 46289, for 62-27 and 62-41 Machines.....	75
46282	6499	Lifting Presser Bar Lifting Bracket with 704c and 892c, for 62-27, 62-41 and 62-44 Machines.....	2 50
46283	6552	Lifting Presser Foot for 62-41 Machine..	1 00
46284	6499	Vibrating Presser Bar Lifting Bell Crank Driving Arm with 157D, 602D and 1989, for 62-27, 62-41 and 62-44 Machines...	1 25
46285	—	No. cancelled, order 1989.	
46286	6499	Vibrating Presser Bar for 62-27 and 62-41 Machines.....	75
46287	6499	Vibrating Presser Bar Lifting Bell Crank for 62-27, 62-41 and 62-44 Machines...	1 50
46288	6499	Vibrating Presser Bar Spring for 62-27 and 62-41 Machines.....	02
46289	6499	Vibrating Presser Bar Stop (raw hide) for 46281, 46402 and 52533.....	01
46290	6552	Vibrating Presser Foot for 62-41 Machine	80
46291	6498	Arm Rock Shaft for 62-27, 62-41 and 62-44 Machines.....	1 00
46292	6508	Needle Bar (hollow) with 2269, for $\frac{3}{2}$ in. to $\frac{1}{16}$ in. gauge, for 46293.....	80
46293	—	Needle Bar complete for 62-41 Machine, Nos. 46292 and 46294.....	1 40
46294	6511	Needle Clamp with 50078F, for 46293....	60
46295	—	No. cancelled.	
Nos. 46296 TO 46298 FOR 46299.			
46296	6561	Presser Foot Guide (left).....	1 50
46297	—	" " Plate.....	3 50
46298	—	" " Shank.....	2 00
46299	6561	Presser Foot (side hinged) with left guide, complete, for 62-45 Machine, Nos. 337D, 665D, 26276 and 46296 to 46298.....	7 00
Nos. 46300 TO 46302 FOR 46303.			
46300	6561	Presser Foot Guide (right).....	1 50
46301	—	" " Plate.....	3 50
46302	—	" " Shank.....	2 00
46303	6561	Presser Foot (side hinged) with right guide, complete, for 62-45 Machine, Nos. 337D, 665D, 26276 and 46300 to 46302.....	7 00



NO.	PLATE	NAME	EACH
46304	6552	Throat Plate Tongue for 46172.....	\$ 15
46305	6562	“ “ Ridge Guide (long) for 46194.....	25
46306	6562	Throat Plate Ridge Guide (short) for 46194.....	25
46307	6564	Feed Dog, for $\frac{1}{32}$ in. to $\frac{3}{64}$ in., $\frac{1}{8}$ in. to $\frac{5}{32}$ in. and $\frac{3}{16}$ in. to $\frac{3}{4}$ in. gauges, for 62-45 Machine, obsolete.....	2 25
46308	6564	Throat Plate with two each 665D and 46075, for 46307, obsolete.....	2 25
46309	6553	Presser Foot (hinged) complete, for gang cording and pin tucking, for 62-10 Machine, Nos. 18055, 38014 and 16270.....	2 50
46310	6544	Lifting Presser Foot for 62-27 Machine... ..	80
46311	6500	Thread (upper) Eyelet for 62-27 and 62-30 to 62-32 Machines.....	25
46312	6500	Thread (upper) Take-up with 223D, for 62-27, 62-30 to 62-32, 62-48, 62-49 and 62-51 Machines.....	80
46313	6544	Vibrating Presser Foot for 62-27 Machine	80
46314	6512	Looper Bell Crank Pitman complete for 62-38 Machine, Nos. 1706E, 1713E and 46317 to 46319.....	3 25
*46315	---	Looper Bell Crank Pitman End Bearing (lower) for 46317.....	—
*46316	---	Looper Bell Crank Pitman End Bearing (upper) for 46318.....	—
		Nos. 46317 to 46319 for 46314.	
46317	6512	Looper Bell Crank Pitman Head (lower) Nos. 46228, 46229, 46315 and two 171E	1 50
46318	6512	Looper Bell Crank Pitman Head (upper) Nos. 46230, 46316, 50081c and two 171E	1 50
46319	6512	Looper Bell Crank Pitman Rod.....	20
*46320	---	Arm, upper and lower (solid) for 62-30 and 62-31 Machines, obsolete.....	22 00
46321	6483	Cloth Plate for 46324.....	2 50
46322H	---	“ “ Slide (left) for 46323.....	40
46323H	6488	Cloth Plate Slide (left) complete for 46324 and 52611, Nos. 38419, 46322H and two 725H.....	50
46324	---	Cloth Plate complete for 62-30 and 62-31 Machines, Nos. 286D, 46321, 46323H and 52631H.....	3 50
46325	6539	Cutting Lever for 46331, obsolete.....	40
46326	6539	“ “ Adjusting Slide for 46331, obsolete.....	2 00

NO.	PLATE	NAME	EACH
46327	6503	Cutting Lever Cap for 46331 and 52636..	\$ 40
46328	6539	“ “ Connection for 62-30 Machine, obsolete.....	1 25
46329	6539	Cutting Plate Bracket for 46331, obsolete	6 25
46330	6503	“ “ Holder for 62-30 Machine.....	60
46331	---	Cutting Plate Bracket complete for 62-30 Machine, Nos. 87E, 1246c, 1389E, 1643D, 38150, 38152, 38155, 46325 to 46327, 46329, two each 190B, 1247c and four 207E, obsolete.....	12 20
46332	6498	Feed Bar with 231c, for 62-30 and 62-31 Machines.....	2 50
46332	6498	Feed (back) Bar with 231c, for 62-49 Machine.....	2 50
46333	6502	Feed Bar Bushing for 62-30 Machine....	40
46334	6565	“ Dog for 62-30 Machine, obsolete....	2 50
46335	6493	Looper with 590B and 38393, for 62-25, 62-28 to 62-32 and 62-49 Machines.....	2 25
46336H	6500	Looper Eccentric Cover for 62-30, 62-31 and 62-49 Machines.....	05
46337	6502	Needle Guard for 62-30 and 62-32 Machines.....	75
46338	6502	Presser Bar Bushing (lower) for 62-30 Machine.....	60
46339	6565	Throat Plate for 46334, 46344, 52651 and 52652, obsolete.....	1 50
46340	---	Presser Foot Plate for 46342.....	3 25
46341	---	“ “ Shank for 46342 and 46369..	75
46342	6545	Presser Foot (hinged) complete, grooved on bottom for ready folded top facings in long lengths, for 62-25 Machine, Nos. 18055, 46340 and 46341.....	4 00
46343	6482	Arm Rotary Shaft for 62-31, 62-48 and 62-49 Machines.....	3 00
46344	6565	Feed Dog for 62-31 Machine, obsolete....	2 50
46345	6539	Knife (movable) obsolete, use 52744.....	60
		Nos. 46346 to 46349 for 62-31 and 62-49 MACHINES	
46346	6539	Knife (movable) Connection with 904c, obsolete.....	2 50
46347	6504	Knife (movable) Connection Crank.....	50
46348	6504	“ “ “ Bracket with 453c.....	60
46349	6504	Knife (movable) Connection Extension..	1 00
46350	6528	“ Bar Eccentric with two 457c, for 62-48 Machine.....	1 00

NO.	PLATE	NAME	EACH
46350	6528	Knife (movable) Eccentric with two 457c, for 62-31 and 62-49 Machines, obsolete	\$1 00
46351	6504	Knife (stationary) for 46356	40
46352	6504	“ “ Adjusting Lever for 46356	50
46353	6539	Knife (stationary) Stop for 46356, obsolete	1 00
46354	6539	“ Bracket for 46356, obsolete	5 00
46355	6504	“ “ Holder with two 178e, for 62-31 and 62-49 Machines	1 25
46356	---	Knife Bracket complete for 62-31 and 62-49 Machines, Nos. 191c, 1012c, 1250e, 1554e, 46351, 46352, 52659, 52660, 52744 and two 203b	7 75
46357H	6531	Looper Eccentric Cover for 62-31 and 62-49 Machines, obsolete, use 46336	10
46358	6502	Looper Shaft and Feed Lifting Eccentric for 62-31 and 62-48 Machines	2 50
46359	6505	Presser Bar Bushing (lower) for 62-31 and 62-49 Machines	80
46360	---	Presser Foot Plate for 46362	1 00
46361	---	“ “ Shank for 46362, 52654 and 52677	75
46362	6547	Presser Foot (hinged) complete for 52658 for 62-31 Machine and for 52651 and 52652 for 62-49 Machine, Nos. 18055, 46360 and 46361	1 75
Nos. 46363 TO 46365 FOR 62-38 MACHINE.			
*46363	---	Arm, upper and lower (solid)	20 00
46364	6511	“ Rock Shaft Crank (back) with two 1497c	80
46365	6482	Arm Rotary Shaft	3 00
46366	6507	“ Side Cover (upper) for 62-28, 62-32 and 62-44 Machines, obsolete	20
46367	6512	Looper Carrier Pitman complete for 62-38 and 62-42 Machines, Nos. 1708e, 1709e, 46176, 46241 and 46242	3 15
46368	---	Presser Foot Plate for 46369	3 25
46369	6545	Presser Foot (hinged) complete, for plain top facings in long lengths, for 62-25 Machine, Nos. 18055, 46341 and 46368	4 00
*46370	---	Arm, upper and lower (solid) with 381b and 46384, for 62-45 Machine and obsolete for 62-50 Machine	20 00
46371	6512	Arm Rock Shaft for 62-45 and 62-50 Machines	1 00
46372	6514	Face Plate for 62-45 and 62-50 Machines	50

NO.	PLATE	NAME	EACH
Nos. 46373 TO 46377 FOR 62-45 MACHINE.			
46373	6560	Feed Dog, for $\frac{1}{32}$ in. to $\frac{3}{64}$ in., $\frac{3}{16}$ in. to $\frac{7}{32}$ in. and $\frac{1}{32}$ in. to $\frac{3}{64}$ in. gauges	\$2 25
46374	6560	Feed Dog, for $\frac{1}{32}$ in. to $\frac{3}{64}$ in., $\frac{1}{4}$ in. to $\frac{13}{32}$ in. and $\frac{1}{32}$ in. to $\frac{3}{64}$ in. gauges	2 25
46375	6522	Looper (back) with 590b and 46115	2 25
46376	6522	“ (front)	2 25
46377	6522	“ “ Needle Guard with 46105	40
46378	6522	Needle Bar Stop Collar with 237e, for 62-45 and 62-50 Machines	15
46379	6522	Needle Bar Stop Collar Connection for 62-45 and 62-50 Machines	15
46380	6532	Oil Cup for 46381	1 35
46380	6532	“ “ (front of arm) for 46381	1 35
46381	6532	Oil Cup complete for 62-50 Machine, Nos. 1284d, 38100 and 46380	1 50
46381	6532	Oil Cup (front of arm) complete for 62-45 Machine, Nos. 1284d, 38100 and 46380	1 50
Nos. 46382 TO 46389 FOR 62-45 AND 62-50 MACHINES			
46382	6524	Tension (upper thread, automatic) Body Releasing Pin	03
46383	6524	Tension (upper thread, automatic) Cam with two 1253c	1 25
46384	6524	Tension (upper thread, automatic) Plate for 46370 and 52740	30
46385	6524	Tension (upper thread, automatic) Screw Stud Releasing Pin	01
46386	6524	Tension (upper thread, automatic) Separating Disc	10
46387	6524	Tension (upper thread, automatic) Spring	03
46388	6524	“ “ “ “ Thread Guide (double)	35
46389	6522	Thread (under) Take-up with 465c	1 00
46390	6522	“ “ “ “ Staple for 62-45 Machine	50
Nos. 46391 TO 46393 FOR 62-45 AND 62-50 MACHINES.			
46391	6522	Thread (under) Take-up Stripper	60
46392	6524	“ (upper) Controller	1 25
46393	6524	“ “ “ “ Roller Bracket with 453c and 1964	1 00
46394	6560	Throat Plate with two each 665b and 46396, for 46373	2 25
46395	6560	Throat Plate with two each 665b and 46396, for 46374	2 25

NO.	PLATE	NAME	EACH
46396	6560	Throat Plate Thread Retainer for 46391 and 46395.....	\$ 10
*46397	—	Arm, upper and lower (solid) for 62-32 Machine.....	20 00
46398	6507	Arm Rock Shaft for 62-32 Machine.....	1 00
46399	6502	" " " Crank (front) with 448c and 457c, for 62-32 and 62-47 Machines.....	1 50
Nos. 46400 to 46415 FOR 62-32 MACHINE.			
46400	6487	Cloth Plate Slide (right) with 1602n, for 46401.....	30
46401	—	Cloth Plate complete, Nos. 286d, 38420, 46096 and 46400.....	3 30
46402	6498	Face Plate with 316F, 735c, 29086, 46289 and 46428.....	1 00
46403	6508	Knife Bar.....	30
46404	6506	" " Connecting Link.....	75
46405	6506	" " " " Hinge Bracket.....	1 00
46406	6506	" " " " Stud for 46407.....	1 00
46407	—	Knife Bar Connecting Stud complete, Nos. 733d, 1563d, 27114, 46406 and 46408.....	1 25
46408	6506	Knife Bar Coupling Pin for 46407.....	10
46409	6539	" " Guide Bar with 237F, obsolete.....	30
46410	6539	" " " " Connecting Stud with 223b, obsolete.....	50
46411	6506	Knife Bar Lifting Spring.....	03
46412	6506	" Holder with 196F, for 46413.....	75
46413	—	Knife Holder complete, Nos. 46412, 46414, 46415 and two 335n.....	2 25
46414	6506	Knife Holder Adjusting Bracket for 46413.....	75
46415	6506	" " Body with 202F, for 46413.....	75
46416	6505	Feed (upper) Bar Lifting Bell Crank Driving Arm with 1186b, for 62-47 Machine.....	1 25
46416	6505	Lifting Presser Bar Bell Crank Driving Arm with 1186b, for 62-32 Machine.....	1 25
46417	6505	Feed (upper) Bar Lifting Bell Crank Driving Arm Connection for 62-47 Machine.....	75
46417	6505	Lifting Presser Bar Bell Crank Driving Arm Connection for 62-32 Machine.....	75
46418	6505	Feed (upper) Bar Lifting Bell Crank Driving Arm Connection Hinge Stud for 62-47 Machine.....	15
46418	6505	Lifting Presser Bar Bell Crank Driving Arm Connection Hinge Stud for 62-32 Machine.....	15

NO.	PLATE	NAME	EACH
46419	6505	Feed (upper) Bar Lifting Bell Crank Driving Arm Shaft for 62-47 Machine.....	\$1 00
46419	6505	Lifting Presser Bar Bell Crank Driving Arm Shaft for 62-32 Machine.....	1 00
46420	6505	Lifting Presser Bar Bell Crank Driving Arm Shaft Bracket for 62-32 Machine.....	40
46421	6505	Lifting Presser Bar Guide Bracket with 157b and 892c, for 62-47 Machine.....	2 50
46421	6505	Lifting Presser Bar Lifting Bracket with 157b and 892c, for 62-32 Machine.....	2 50
46422	6508	Lifting Presser Bar Spring (flat) for 62-32 and 62-47 Machines.....	50
Nos. 46423 to 46425 FOR 62-32 MACHINE.			
46423	6548	Lifting Presser Foot.....	80
46424	6509	Needle Bar Connecting Link.....	75
46425	6509	" " " Stud with two 391E.....	1 00
46426	6565	Throat Plate complete for 46065, Nos. 242b, 38094, 38096, 52526 and two 238b, obsolete.....	2 00
46427	6509	Vibrating Presser Bar for 62-32 Machine.....	60
46428	6509	" " " Spring Stud for 46402 and 52533.....	05
46429	6548	Vibrating Presser Foot for 62-32 Machine.....	80
*46430	—	Arm, upper and lower (solid) with 129b, 965b and 46445, for 62-28 Machine.....	20 00
46431	6483	Cloth Plate for 46438.....	6 00
46432	6487	" " Bracket for 62-28 Machine.....	50
46433	—	" " Slide (large) for 46435.....	1 75
46434	6500	" " " " Spring (left) for 46435.....	05
46435	6487	Cloth Plate Slide (large) complete for 46438, Nos. 38416, 46433, 46434 and four 725n.....	2 00
46436	—	Cloth Plate Slide (small) for 46437.....	30
46437	6487	Cloth Plate Slide (small) complete for 46438, Nos. 38419, 46436 and two 725n.....	40
46438	—	Cloth Plate complete for 62-28 Machine, Nos. 46431, 46435 and 46437.....	8 40
46439	6502	Feed (back) Connecting Rod Hinge Pin Bushing for 62-28 and 62-49 Machines.....	50
46440	6546	Feed (back) Dog for 62-28 Machine.....	1 25
46441	6501	" (front) Bar with 174b, for 62-28 and 62-49 Machines.....	1 00
46442	6501	Feed (front) Connecting Rod with two 174b, for 62-28 and 62-49 Machines.....	1 00
46443	6546	Feed (front) Dog for 62-28 Machine.....	1 25

NO.	PLATE	NAME	EACH
Nos. 46444 to 46454 FOR 62-28 AND 62-49 MACHINES.			
46444	6501	Feed (front) Lifting Rock Shaft.....	\$ 60
*46445	—	“ “ “ “ “ Bracket for 46430 and 52646.....	75
46446	6501	Feed (front) Lifting Rock Shaft Crank (back) forked, with 647b.....	1 50
46447	6502	Feed (front) Lifting Rock Shaft Crank (back) Slide Block.....	1 00
46448	6501	Feed (front) Lifting Rock Shaft Crank (front) with two each 178b and 197b..	1 00
46449	6502	Feed (front) Regulating Stud Sleeve....	50
*46450	—	“ Eccentric for 46452.....	2 50
*46451	—	“ “ Body with two 443c, for 46452.....	3 50
46452	6502	Feed Eccentric and Feed (front) Lifting Eccentric (adjustable) complete, Nos. 196e, 641b, 24691, 46450, 46451 and 50043c.....	6 50
46453	6502	Feed Eccentric Collar with two 454c....	25
46454	6501	“ Rocking Frame with 178e.....	2 50
46455	—	Presser Foot Plate for 46457.....	3 00
46456	—	“ “ Shank for 46457.....	75
46457	6546	Presser Foot (hinged) complete for 62-28 Machine, Nos. 26276, 46455 and 46456	3 75
46458	6546	Throat Plate for 46440 and 46443.....	2 25
46459	6560	Feed Dog, for $\frac{3}{2}$ in. to $\frac{5}{4}$ in., $\frac{1}{8}$ in. to $\frac{5}{2}$ in. and $\frac{3}{2}$ in. to $\frac{5}{4}$ in. gauges, for 62-45 Machine.....	2 25
46460	6560	Throat Plate with two each 665b and 46075, for 46459.....	2 25
46461	—	Cloth Plate Slide (left) for 46462.....	30
46462	6486	Cloth Plate Slide (left) complete for 46079, Nos. 38419, 46461 and two 725b.....	40
46463H	6486	Cloth Plate Slide (right) with 1602H, for 46324 and 52650, obsolete.....	40
Nos. 46464 to 46473 FOR 62-42 MACHINE.			
*46464	—	Arm, upper and lower (solid) with 1149b, 52515, 52516 and two each 129b and 134b.....	22 50
46465	6482	Arm Rotary Shaft.....	3 00
46466	6501	“ “ “ Flanged Bushing.....	1 00
46467	6514	“ Side Cover (upper) obsolete.....	20
46468	6485	Cloth Plate for 46471.....	2 50
46469	—	“ “ Slide (large) for 46470.....	60

NO.	PLATE	NAME	EACH
46470	6488	Cloth Plate Slide (large) complete for 46471, Nos. 46469, two 38416 and four 725b.....	\$ 75
46471	—	Cloth Plate complete, Nos. 38420, 46468 and 46470.....	3 65
46472	6514	Face Plate.....	60
46473	6554	Feed Dog.....	2 00
Nos. 46474 to 46478 FOR 62-42 AND 62-43 MACHINES.			
46474	6511	Looper (back) with 590b and 46115.....	2 25
46475	6511	“ (front).....	2 25
46476	—	Needle Bar complete, Nos. 2273, 23793 and 46477.....	1 20
46477	6511	Needle Clamp with 46478 and two 1498e, for 46176.....	60
46478	6511	Needle Clamp Thread Guide for 46477..	02
Nos. 46479 to 46500 FOR 62-42 MACHINE.			
46479	6513	Needle Guard (back).....	75
46480	6513	“ “ (front).....	75
46481	6513	Presser Bar Bushing (lower).....	80
46482	6513	“ “ Lifting Bracket with 453c and 892c.....	1 00
46483	6515	Ruffling Blade.....	75
46484	6515	“ “ Holder.....	3 00
46485	6515	“ “ “ Spring.....	03
46486	6515	“ “ “ “ Bracket.....	75
46487	6515	“ “ “ “ Stop.....	03
46488	6518	“ Connecting Link.....	50
46489	6517	“ “ Rod with 1012e, 4784, 46490, 46491 and two 127e.....	3 00
46490	6515	Ruffling Connecting Rod Adjusting Gib (brass) for 46489.....	02
*46491	—	Ruffling Connecting Rod Cap for 46489..	—
46492	6516	“ Eccentric with two 448c.....	1 50
46493	6515	“ Indicator.....	30
46494	6515	“ Lever.....	2 00
46495	6516	“ “ Arm with 454c.....	1 00
46496	6516	“ “ “ Hinge Stud.....	50
46497	6516	“ “ “ Lifting Bracket with two 171b.....	1 00
46498	6515	Ruffling Lever Slide Block.....	20
46499	6515	“ Regulating Stud Nut Handle with 220b.....	75
46500	6515	Ruffling Regulating Stud Sleeve.....	25
49092	6533	Arm Oil Tube Packing (felt) for 52630..	01
50001b	6534	Binder Bracket Plate Screw (left) for 36305 and 36498.....	04

NO.	PLATE	NAME	EACH
50004b	6534	Folder Screw for 36027 and 36444.....	\$ 04
50004d	6534	Slack Thread Controller Clamp Screw for 62-25, 62-28 and 62-35 Machines, obsolete.....	04
50016c	6535	Looper Bell Crank Pitman Ball Screw Stud (upper) for 62-38 Machine, obsolete	15
50016c	6535	Looper Carrier Pitman Ball Screw Stud (right) for 38446.....	15
50027f	6534	Throat Plate Screw (front) for 62-43 Machine.....	04
50039c	6535	Looper Bell Crank Pitman Ball Screw Stud (upper) for 62-46 Machine and obsolete for 62-45 Machine.....	20
50040b	6525	Slack Thread Regulator Screw for 62-46 Machine and obsolete for 62-45 Machine	07
50041c	6535	Thread (upper) Controller (right) Fork Screw Stud for 62-38 Machine, obsolete	12
50043c	6502	Feed Eccentric Adjusting Screw for 46452	04
50062d	6496	Slack Thread Regulator Screw for 62-25, 62-26, 62-28, 62-29, 62-35 to 62-38, 62-43, 62-48, 62-49 and 62-53 Machines	07
50069c	6535	Crank Connecting Rod Ball Screw Stud.	20
50070c	6535	Looper Bell Crank Pitman Ball Screw Stud (upper) for 46234.....	15
50070c	6535	Looper Carrier Pitman Ball Screw Stud (right) for 46242.....	15
50073d	6534	Feed Dog Screw for 62-53 Machine and obsolete for $\frac{3}{8}$ in., $\frac{1}{2}$ in. and $\frac{3}{4}$ in. gauges for 62-45 Machine.....	05
50078f	6511	Needle Clamp Screw for 46294.....	04
50081c	6532	Looper Bell Crank Pitman Ball Screw Stud (upper) for 46318.....	15
Nos. 50105 TO 50107 FOR 62-45 AND 62-50 MACHINES.			
50105c	6524	Tension (upper thread, automatic) Body.	25
50106f	6524	" " " " Screw Stud.....	10
50107f	6524	Thread (upper) Controller Hinge Screw.	08
50109f	6535	Feed (front) Bar Hinge Screw for 62-28 and 62-49 Machines.....	15
50110c	6502	Feed (front) Regulating Stud for 62-28 and 62-49 Machines.....	15
Nos. 50118 TO 50120 FOR 62-42 MACHINE.			
50118d	6515	Ruffling Blade Holder Spring Regulating Screw.....	45
50119c	6535	Ruffling Connecting Rod Hinge Screw...	15

NO.	PLATE	NAME	EACH
50120c	6515	Ruffling Regulating Stud.....	\$ 15
50140d	6520	" Blade Holder Hinge Screw for 62-43 Machine.....	08
Nos. 52501 TO 52519 FOR 62-42 MACHINE.			
52501	6515	Ruffling Regulating Stud Stop.....	05
52502	6516	" Regulator.....	3 00
52503	6516	" " Bushing.....	75
52504	6516	" " Crank with 453c.....	20
52505	6518	" Separating Blade.....	1 00
52506	6518	" " " Bar.....	40
52507	6518	" " " " Bracket (lower) with 460c and two 453c.....	50
52508	6518	Ruffling Separating Blade Bar Bracket (upper) with 453c.....	50
52509	6518	Ruffling Separating Blade Bar Handle with 145b.....	75
52510	6518	Ruffling Separating Blade Bar Handle Plate.....	15
52511	6518	Ruffling Separating Blade Bar Handle Stop.....	02
52512	6518	Ruffling Separating Blade Bar Spring....	03
52513	6518	" " " Holder.....	75
52514	6517	" Shaft.....	50
*52515	-----	" " Bracket (back) for 46464..	75
*52516	-----	" " " (front) for 46464..	1 50
52517	6516	" " Crank (back) with two 797c.....	75
52518	6516	Ruffling Shaft Crank (front) with 453c..	50
52519	6554	Throat Plate for 46473.....	1 75
52520	6537	Lifting Lever for 52522 to 52524.....	25
52521	6508	" " Spring for 52522 to 52524..	05
Nos. 52522 TO 52524 FOR 62-42 MACHINE			
52522	-----	Foot Lifter complete, Nos. 802b, 4885, 6439, 52520 and 52521.....	1 35
52523	-----	Knee Lifter complete (power table) Nos. 802b, 23760, 23767, 52520 and 52521..	1 55
52524	-----	Knee Lifter complete (bench stand) Nos. 802b, 23767, 38384, 52520 and 52521..	1 55
52525	6506	Knife Bar Guide with 857u, for 62-32 Machine.....	50
52526	6565	Throat Plate Slide for 46426, obsolete...	25
52527	-----	Cloth Plate Slide (large) for 52528.....	60
52528	6489	Cloth Plate Slide (large) complete for 52529, Nos. 52527, two 38416 and four 725u.....	75

## NUMERICAL LIST OF PARTS

NO.	PLATE	NAME	EACH
52599	6527	Lifting Presser Bar Lifting Bracket with 1356E.....	\$1 25
52600	6527	Lifting Presser Bar Lifting Bracket Connecting Link.....	25
52601	6527	Thread (upper) Controller.....	50
52602	6537	Lifting Lever for 52604 to 52606.....	25
52603	6531	" " Link for 52604 to 52606.....	25
52604	—	Foot Lifter complete, Nos. 802b, 957d, 1002b, 4885, 6439, 23761, 52602 and 52603.....	1 70
52605	—	Knee Lifter complete (power table) Nos. 802b, 957d, 1002b, 23760, 23761, 23767, 52602 and 52603.....	1 90
52606	—	Knee Lifter complete (bench stand) Nos. 802b, 957d, 1002b, 23761, 23767, 38384, 52602 and 52603.....	1 90
Nos. 52607 TO 52625 FOR 62-48 MACHINE.			
*52607	—	Arm, upper and lower (solid).....	20 00
52608	6485	Cloth Plate for 52611.....	2 50
52609	6488	" " Chute (hinged) for 52611.....	1 25
52610	6488	" " Slide (right) with 1602u, for 52611.....	30
52611	—	Cloth Plate complete, Nos. 286b, 46323u, 52608 to 52610 and two 330b.....	4 70
52612	6563	Feed Dog.....	1 00
52613	6512	" Rocking Frame Bracket with two 465c.....	50
52614	6528	Knife.....	10
52615	6528	" Bar.....	4 00
52616	6528	" Holder.....	1 00
52617	6528	" Support.....	50
52618	6529	Looper with 590b and 38393.....	2 25
52619	6529	" Carrier with three 1147c.....	1 50
52620	6512	Looper Carrier Pitman complete, Nos. 1697e, 1698e, 38445, 38446 and 52621.....	3 25
52621	6512	Looper Carrier Pitman Rod for 52620.....	10
52622	6529	" Needle Guard with 46105.....	40
52623	6529	Needle Guard.....	75
52624	—	Presser Foot Plate for 52625.....	1 25
52625	6563	Presser Foot (hinged) complete, Nos. 26276, 46099 and 52624.....	1 85
52626	6529	Slack Thread Regulator for 62-48 and 62-49 Machines.....	1 50
52627	6529	Thread (upper) Eyelet for 62-48 and 62-49 Machines.....	25

## NUMERICAL LIST OF PARTS

NO.	PLATE	NAME	EACH
52628	6563	Throat Plate with 665b and 52629, for 52612.....	\$1 75
52629	6563	Throat Plate Cutting Bar for 52628.....	25
52630	6533	Arm Oil Tube with 49092, for oiling 46221.....	20
52631u	6487	Cloth Plate Slide (right) with 1602u, for 46324 and 52650.....	40
52632	6532	Cutting Lever for 52636, obsolete.....	40
52633	6503	" " Adjusting Slide for 52636.....	2 00
52634	6503	" " Connection for 62-30 Machine.....	1 25
52635	6503	Cutting Plate Bracket for 52636.....	6 25
52636	—	Cutting Plate Bracket complete for 62-30 Machine, Nos. 87f, 1246c, 1389e, 1643b, 38152, 38155, 46327, 52633, 52635, 52780, 52781, two each 190b, 1247c and four 207f.....	12 20
52637	—	Presser Foot Plate for 52638.....	1 50
52638	6553	Presser Foot (hinged) complete, for $\frac{3}{4}$ in. gauge, for air cording and tucking $\frac{1}{2}$ in. high, for silk and thin cotton petticoats, waists, etc., for 62-40 Machine, Nos. 18055, 46270 and 52637.....	2 25
52639	6552	Throat Plate Slide for 52638.....	75
52640	—	Presser Foot Plate for 52641.....	1 50
52641	6553	Presser Foot (hinged) complete, for $\frac{3}{4}$ in. and $\frac{1}{8}$ in. gauges, for air cording and tucking $\frac{3}{4}$ in. high, for cotton petticoats, waists, etc., for 62-40 Machine, Nos. 18055, 46270 and 52640.....	2 25
52642	6552	Throat Plate Slide for 52641.....	75
52643	—	Presser Foot Plate for 52644.....	1 50
52644	6553	Presser Foot (hinged) complete, for $\frac{3}{4}$ in. and $\frac{1}{8}$ in. gauges, for air cording and tucking $\frac{1}{8}$ in. high, for cotton petticoats, waists, etc., for 62-40 Machine, Nos. 18055, 46270 and 52643.....	2 25
52645	6552	Throat Plate Slide for 52644.....	75
*52646	—	Arm, upper and lower (solid) with 129b, 965b and 46445, for 62-49 Machine.....	22 00
52647	6482	Cloth Plate for 52650.....	2 50
52648u	—	" " Slide (left) for 52649.....	40
52649u	6486	Cloth Plate Slide (left) complete for 52650, Nos. 38419, 52648u and two 725u.....	50
Nos. 52650 TO 52654 FOR 62-49 MACHINE.			
52650	—	Cloth Plate complete, Nos. 286b, 52631u, 52647 and 52649u.....	3 70

NO.	PLATE	NAME	EACH
52651	6517	Feed (back) Dog.....	\$1 25
52652	6517	" (front) Dog.....	1 25
52653	---	Presser Foot Plate for 52654, obsolete....	1 00
52654	6517	Presser Foot (hinged) complete, Nos. 18055, 46361 and 52653, obsolete, use 46362.....	1 75
52655	6477	Feed Dog (spiked teeth) for $\frac{9}{16}$ in. to $\frac{3}{8}$ in. gauge, for 26272.....	3 00
52656	6517	Feed Dog for 62-30 Machine.....	2 50
52657	6565	Throat Plate for 52651, 52652, 52656 and 52658, obsolete, use 52662.....	1 50
52658	6517	Feed Dog for 62-31 Machine.....	2 50
52659	6504	Knife (stationary) Stop for 46356.....	1 00
52660	6504	" Bracket for 46356.....	5 00
52661	6500	Looper Needle Guard with 46105, for 62-30, 62-31 and 62-49 Machines.....	40
52662	6517	Throat Plate for 52651, 52652, 52656 and 52658.....	1 50
52663	6552	Feed Dog for 62-10 Machine.....	1 75
52664	---	Throat Plate Body for 52666 to 52668.....	1 90
52665	6552	" " Slide, for general work, for 52666.....	75
52666	---	Throat Plate complete for 52663, for general work, Nos. 665d, 23789, 46075, 52664 and 52665.....	3 25
52667	---	Throat Plate complete for 52663, for imitation cording and tucking, Nos. 665d, 23788, 23789, 46075 and 52664....	3 25
52668	6552	Throat Plate complete for 52663, for cord- ing, Nos. 665d, 23787, 23789, 46075 and 52664.....	3 50
Nos. 52669 TO 52672 FOR 62-50 MACHINE.			
52669	6530	Roller Needle Guard for 52670 and 52671	45
52670	6530	Roller Presser complete, $\frac{7}{8}$ in. coarse roller, Nos. 171e, 176d, 440e, 1549d, 1868, 7556, 38285, 38302, 52669, two 316e and three 1547d.....	1 35
52671	6530	Roller Presser complete, $1\frac{1}{4}$ in. coarse roller, Nos. 171e, 176d, 440e, 1549d, 1923, 7556, 38219, 38302, 52669, two 316e and three 1547d.....	1 50
52672	6527	Thread (upper) Take-up.....	80
52673	6505	Needle Guard for 62-31 and 62-49 Machines	75
Nos. 52674 TO 52678 FOR 62-49 MACHINE.			
52674	6563	Feed (back) Dog, spiked teeth.....	1 25
52675	6563	" (front) Dog, spiked teeth.....	1 25

NO.	PLATE	NAME	EACH
52676	---	Presser Foot Plate for 52677.....	\$1 00
52677	6563	Presser Foot (hinged) complete for 52674 and 52675, Nos. 18055, 46361 and 52676	1 75
52678	6563	Throat Plate for 52674 and 52675.....	1 50
*52679	---	Arm, upper and lower (solid) with 52705 and two 949e, for 62-43 Machine.....	27 50
52680	6485	Cloth Plate for 52687.....	3 00
52681	6485	" " Extension for 52687.....	75
52682	---	" " Slide (large) for 52686.....	60
52683	6500	" " " " Spring for 52686	05
Nos. 52684 TO 52686 FOR 52687.			
52684	6519	Cloth Plate Slide (large) Spring Bracket (back).....	25
52685	6519	Cloth Plate Slide (large) Spring Bracket (front).....	25
52686	6489	Cloth Plate Slide (large) complete, Nos. 52682, two 52683 and four 725u.....	80
Nos. 52687 TO 52718 FOR 62-43 MACHINE.			
52687	---	Cloth Plate complete, Nos. 38420, 52680, 52681, 52684 to 52686, two 157d and four 330e.....	5 60
52688	6519	Cloth Plate Support Bracket.....	40
52689	6555	Feed Dog.....	1 50
52690	6519	Needle Guard (back).....	75
52691	6519	" " (front).....	75
52692	6520	Ruffling Blade.....	75
52693	6520	" " Holder with 9558 and 52695.....	1 00
52694	6520	Ruffling Blade Holder Spring.....	05
52695	6520	" " Steady Pin for 52693.....	01
52696	6517	" Driving Crank (forked) with 52698 and two 448c, for 52697.....	3 00
52697	---	Ruffling Driving Crank (forked) 52696 with 52703 and two each 136d and 2077	3 85
52698	6533	Ruffling Driving Crank Oil Pad (felt) for 52696.....	01
52699	6521	Ruffling Driving Crank Shaft.....	25
52700	6520	" " " " Collar with two 457c.....	20
52701	6520	Ruffling Driving Crank Slide Block with 1012c.....	1 00
52702	6520	Ruffling Driving Crank Slide Block Pin	50
52703	6520	" " " " " " " "	
Holder with 440c, for 52697.....			
52704	6520	Ruffling Eccentric with two 448c.....	1 50

NO.	PLATE	NAME	EACH
*52705	—	Ruffling Frame for 52679.....	\$7 00
52706	6520	“ Regulator with 624c.....	50
52707	6521	“ “ Connection.....	1 75
52708	6521	“ “ “ Hinge Stud.....	75
52709	6521	“ “ Handle with 647d.....	75
52710	6521	“ “ Shaft.....	10
52711	6520	“ Separating Blade for 52718.....	75
52712	6517	“ Shaft.....	1 00
52713	6521	“ Crank (left) with 177c, 9558 and two 145d.....	1 25
52714	6521	Ruffling Shaft Crank (right) with 448c and 624c.....	50
52715	6521	Ruffling Shaft Crank (right) Slide Block with 1012c.....	1 00
52716	6521	Ruffling Shaft Crank (right) Slide Block Pin.....	10
52717	6501	Thread (under) Take-up Staple Bracket with 910c.....	2 00
52718	6555	Throat Plate with 52711 and two 664d, for 52689.....	3 25
Nos. 52719 to 52721 for 52722.			
52719	6549	Presser Foot Guide (right).....	1 50
52720	—	“ “ Plate.....	3 50
52721	—	“ “ Shank.....	2 00
52722	6549	Presser Foot (side hinged) with right guide complete for 62-35 Machine, Nos. 26276, 52719 to 52721 and two 337d.....	7 00
*52723	—	Feed (upper) Eccentric for 52592.....	2 50
52724	6477	“ Dog (spiked teeth) for $\frac{3}{8}$ in. to $\frac{1}{4}$ in. gauge, for 26272.....	2 75
52725	6548	Feed Dog for 62-32 Machine.....	1 00
52726	6548	Throat Plate Slide for 52727.....	25
52727	6548	Throat Plate complete for 52725, Nos. 242d, 38094, 38096, 52726 and two 238d.....	2 00
52728	6524	Thread (upper) Take-up with 52729 and two 4604, for 62-45 Machine.....	1 00
52729	6524	Thread (upper) Take-up Thread Guide for 52728.....	20
*52730	—	Feed Eccentric Body for 52731.....	2 50
52731	6519	Feed Eccentric (adjustable) complete for 62-43 Machine, Nos. 196F, 934d, 1103c, 21331, 21332, 38127, 52730 and two 443c.....	5 00
52732	6501	Arm Side Cover (upper) for 62-42 Machine.....	20
*52733	—	“ upper and lower (solid) for 62-25 and 62-26 Machines.....	20 00

NO.	PLATE	NAME	EACH
*52734	—	Arm, upper and lower (solid) for 62-27 Machine.....	\$20 00
*52735	—	Arm, upper and lower (solid) for 62-30 and 62-31 Machines.....	22 00
*52736	—	Arm, upper and lower (solid) for 62-35 to 62-37 and 62-53 Machines.....	20 00
*52737	—	Arm, upper and lower (solid) for 62-39 and 62-40 Machines.....	20 00
*52738	—	Arm, upper and lower (solid) for 62-44 Machine.....	20 00
*52739	—	Arm, upper and lower (solid) for 62-46 Machine.....	20 00
*52740	—	Arm, upper and lower (solid) with 381d and 46384, for 62-50 Machine.....	20 00
52741	6504	Knife (movable) Connection with 904c, for 62-31 and 62-49 Machines.....	2 50
52742	6504	Knife (movable) Eccentric with two 457c, for 62-31 and 62-49 Machines.....	1 00
52743	6529	Looper Shaft and Feed (back) Lifting Eccentric for 62-49 Machine.....	2 50
52744	6504	Knife (movable) with 52745 and two 1053d, for 46356.....	60
52745	6504	Knife (movable) Chip Ejector for 52744.....	50
Nos. 52746 to 52748 for 62-51 MACHINE.			
*52746	—	Arm, upper and lower (solid).....	20 00
52747	6548	Presser Foot.....	1 00
52748	6548	Throat Plate for 38428, obsolete.....	3 00
Nos. 52774 to 52779 for 62-53 MACHINE.			
52774	6585	Looper (back) with 590d and 52776.....	2 25
52775	6585	“ “ Carrier with 1147c, for 52779.....	1 25
52776	6585	Looper (back) Thread Guard (double) for 52774.....	05
52777	6585	Looper (front).....	2 25
52778	6585	“ “ Carrier with 1120c and two 1147c, for 52779.....	2 00
52779	6585	Looper Carrier (adjustable) complete, for $\frac{3}{8}$ in. to $\frac{1}{8}$ in. gauge, Nos. 193E, 52775 and 52778.....	3 25
52780	6503	Cutting Lever for 52636.....	40
52781	6503	“ Plate for 52636.....	40
52782	6559	Feed Dog, for $\frac{3}{8}$ in. to $\frac{3}{8}$ in. gauge, for 62-44 Machine.....	2 50
52783	6559	Throat Plate for 52782.....	2 25
52784	6527	Looper Carrier with 1143c and two 1147c, for 62-49 Machine.....	1 50



NO.	PLATE	NAME	EACH
52785	6567	Throat Plate with 665d and 46075, for 38428, for 62-51 Machine.....	\$3 25
Nos. 52799 TO 52816 FOR 62-29 MACHINE.			
*52799	—	Arm, upper and lower (solid) with 52814, 52815 and two each 129E and 190d....	22 00
52800	6482	Balance Wheel and Ruffling Eccentric with two 430c.....	1 50
52801	6569	Feed Dog.....	1 00
52802	6569	Presser Foot for 52804.....	4 00
52803	6569	“ “ Guide for 52804.....	3 5
52804	6569	Presser Foot complete, Nos. 197d, 52802, 52810 and two each 725J and 52803....	5 00
52805	6582	Ruffling Arm (lower) for 52806.....	1 00
52806	6582	“ “ (adjustable) for 52807, Nos. 2291, 38179, 52805 and two 175d.....	2 30
52807	—	Ruffling Arm (adjustable) complete, Nos. 226d, 1550n, 24203, 24206, 24581, 52806, 52808, 52809 and two 665d.....	3 85
52808	6582	Ruffling Blade for 52807.....	40
52809	6582	“ “ Holder Spring Stop for 52807.....	15
52810	6569	Ruffling Blade Tripping Arm for 52804....	1 00
52811	6582	“ Regulator with 662d.....	1 50
52812	6583	“ “ Connecting Rod with 38184 and two 896E.....	1 00
52813	6583	Ruffling Shaft.....	25
52814	6583	“ “ Bracket (left) for 52799....	40
52815	6583	“ “ “ (right) for 52799....	75
52816	6569	Throat Plate for 52801.....	1 25
Nos. 52817 TO 52826 FOR 62-53 MACHINE.			
52817	6550	Feed Dog, for $\frac{3}{32}$ in. to $\frac{9}{16}$ in. gauge.....	2 75
52818	—	No. cancelled, order 52817 and give gauge required.	
52819	6586	Needle Guard (back).....	75
52820	6586	“ “ (front) for $\frac{1}{32}$ in. to $\frac{5}{32}$ in. gauge.....	75
52821	6586	Needle Guard (front) for $\frac{3}{16}$ in. to $\frac{1}{4}$ in. gauge.....	75
52822	6586	Needle Guard (front) for $\frac{9}{32}$ in. to $\frac{3}{8}$ in. gauge.....	75
52823	6586	Needle Guard (front) for $\frac{11}{32}$ in. to $\frac{1}{2}$ in. gauge.....	75
52824	6586	Needle Guard (front) for $\frac{13}{32}$ in. to $\frac{9}{16}$ in. gauge.....	75
52825	6550	Throat Plate for 52817.....	2 75
52826	—	No. cancelled, order 52825 and give gauge required.	

## PLATE 362—ONE-FOURTH SIZE

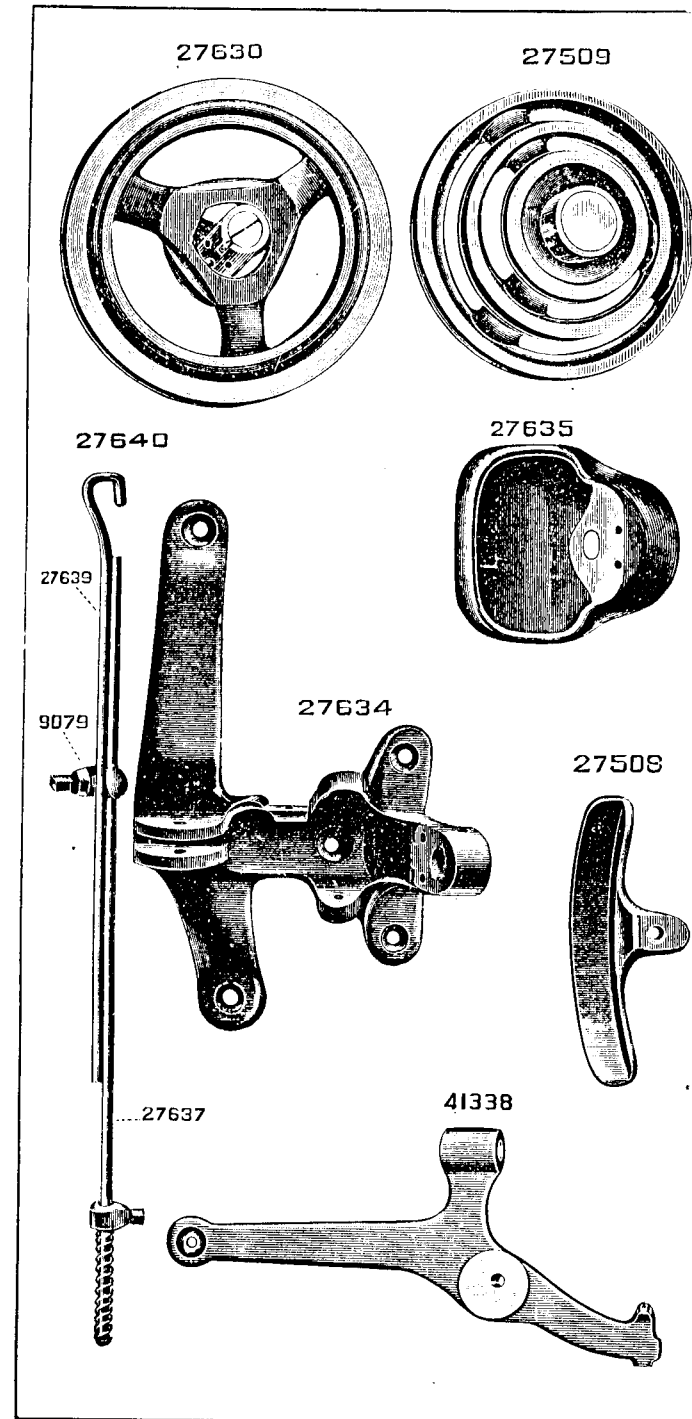


PLATE 363—ONE-FOURTH SIZE

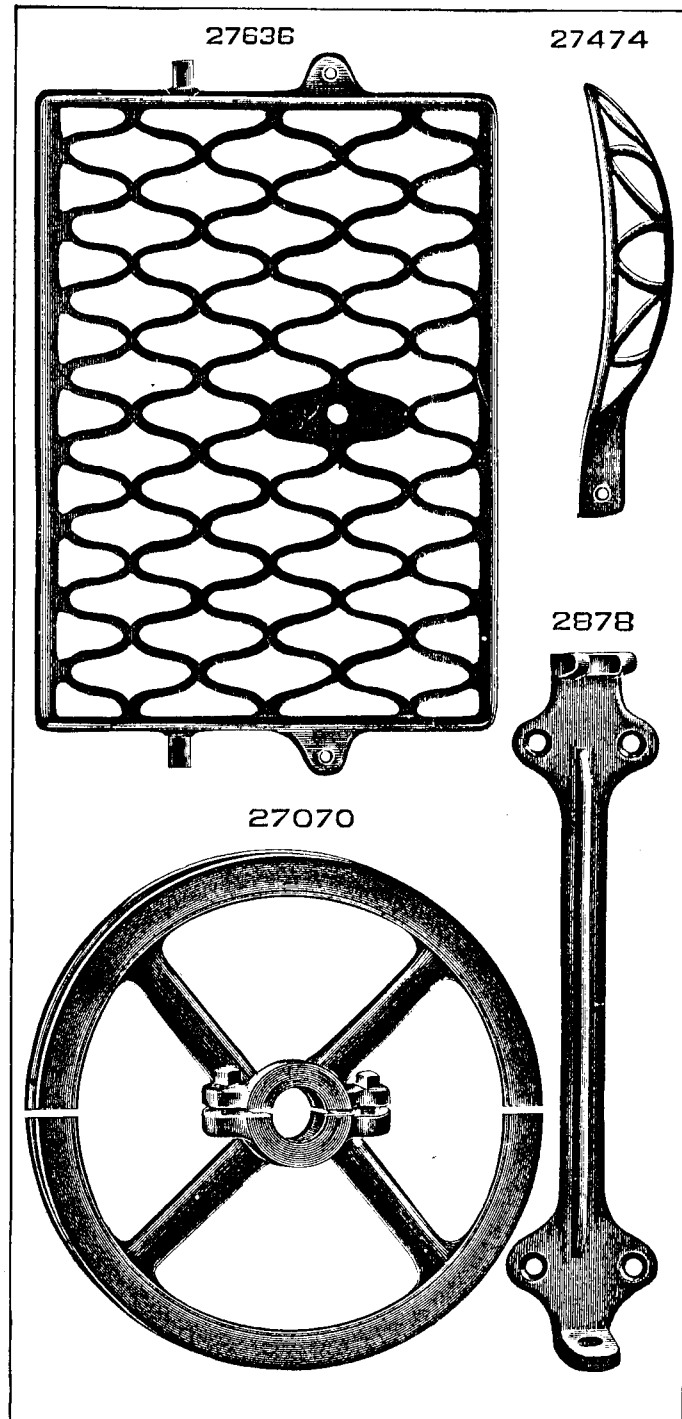


PLATE 1016—ONE-FOURTH SIZE

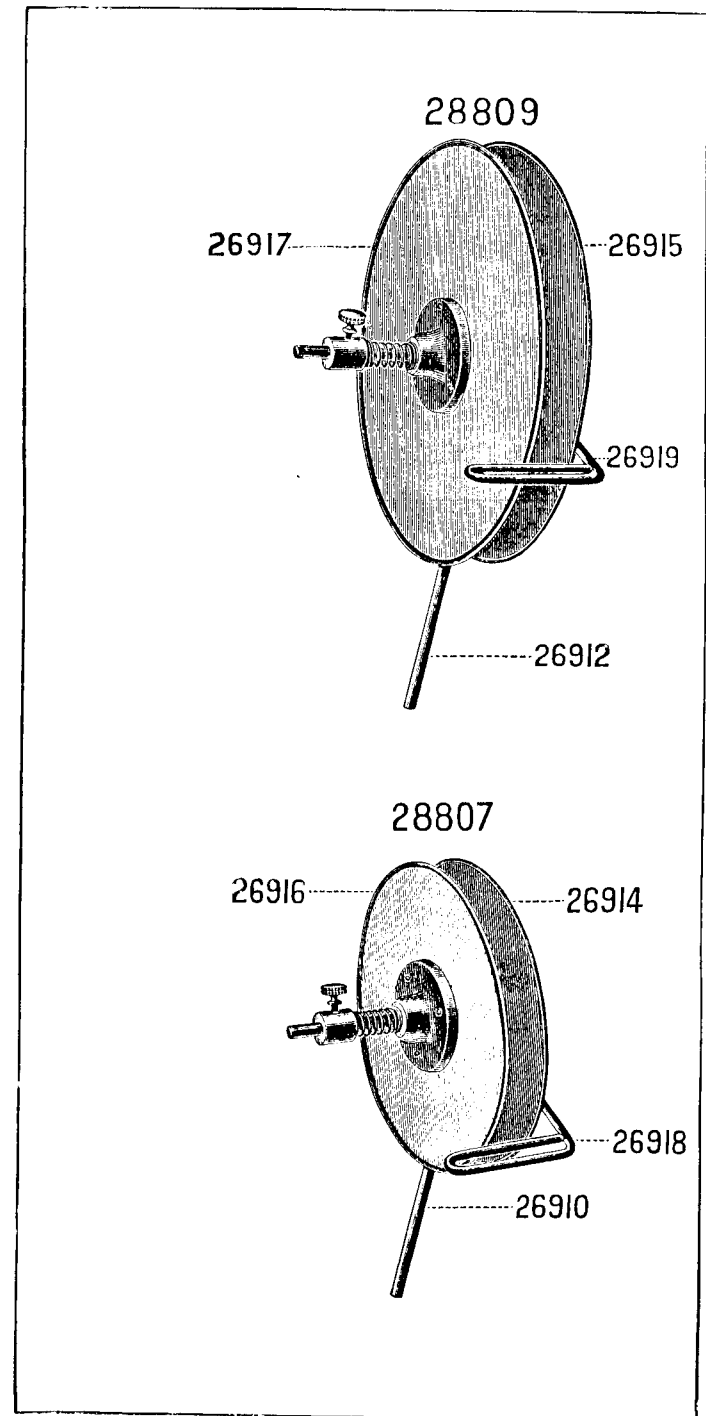


PLATE 1101—FULL SIZE

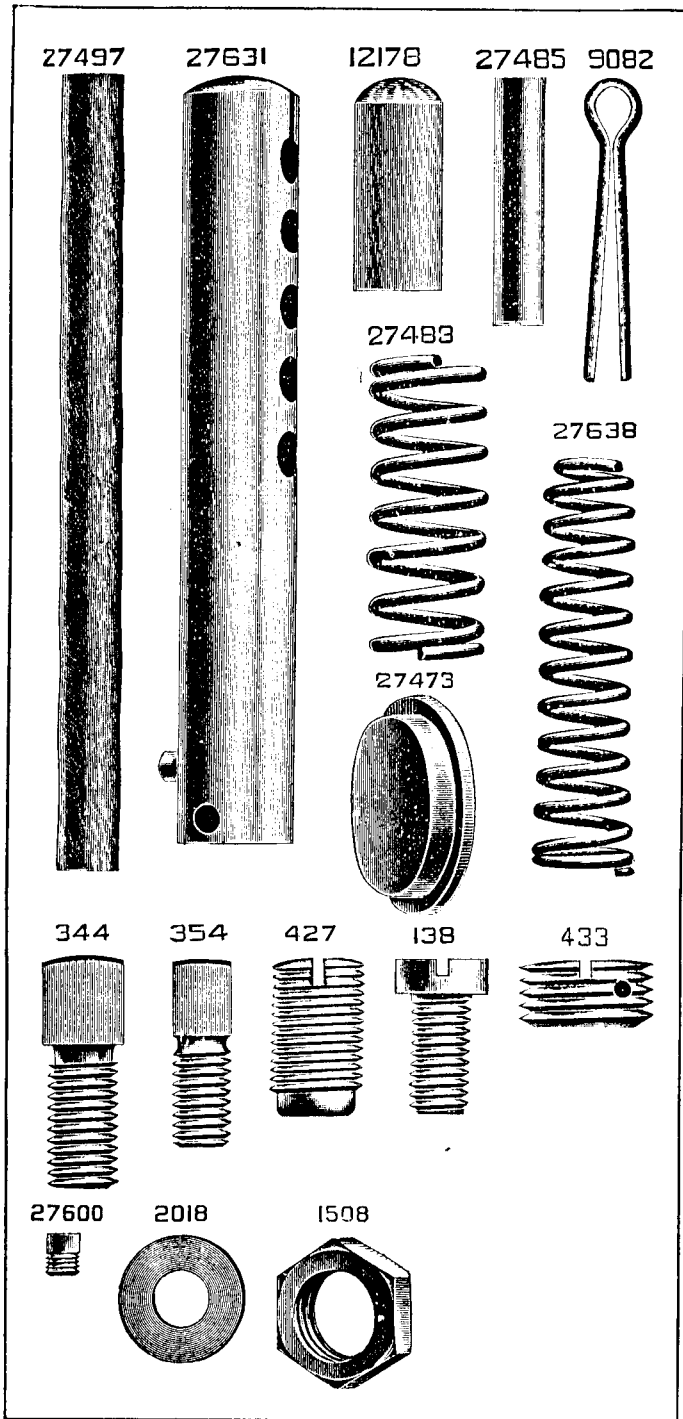


PLATE 1104—ONE-HALF SIZE

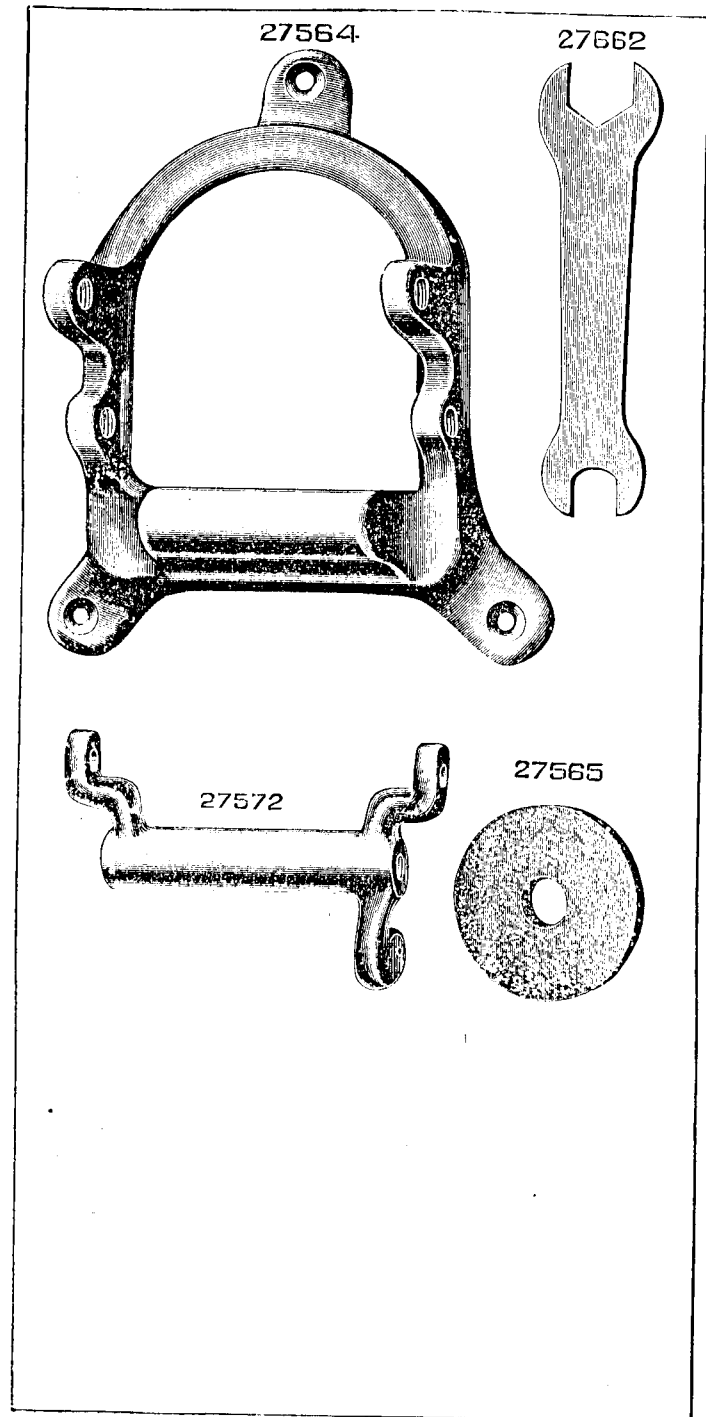


PLATE 1105—FULL SIZE

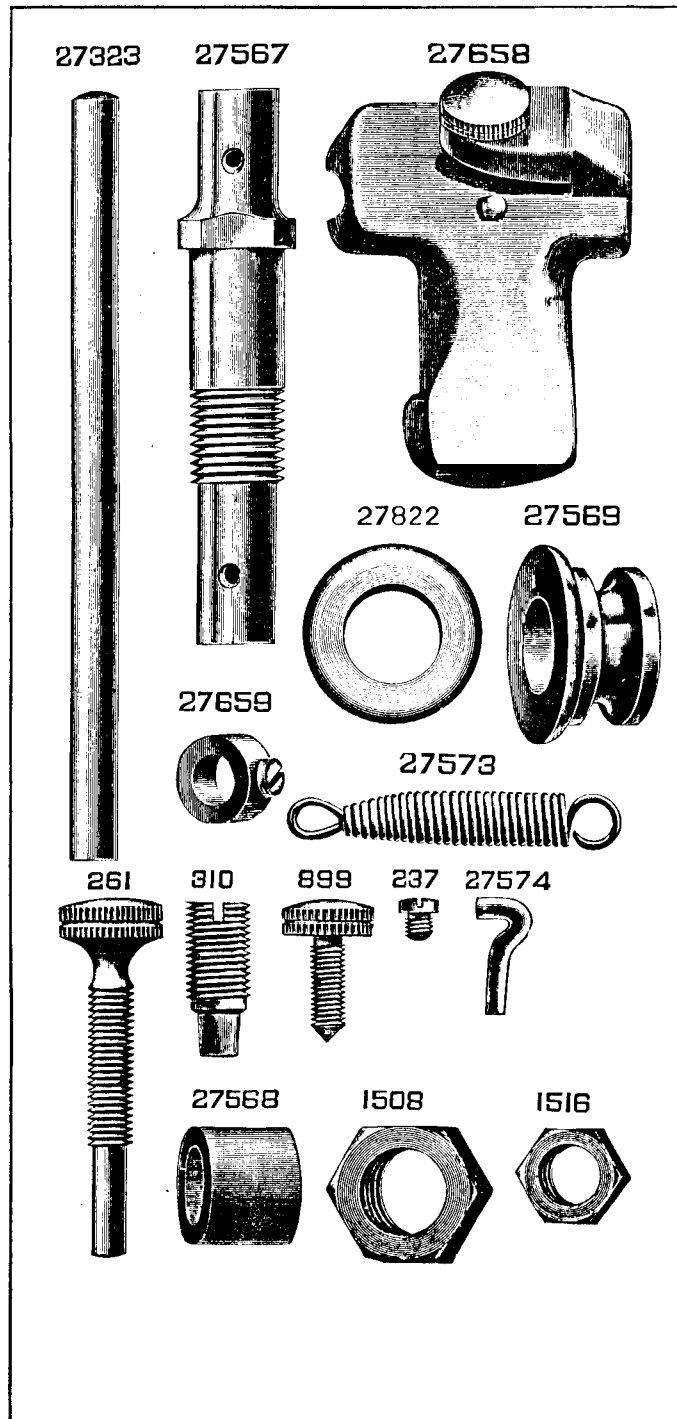


PLATE 1518—ONE-HALF SIZE

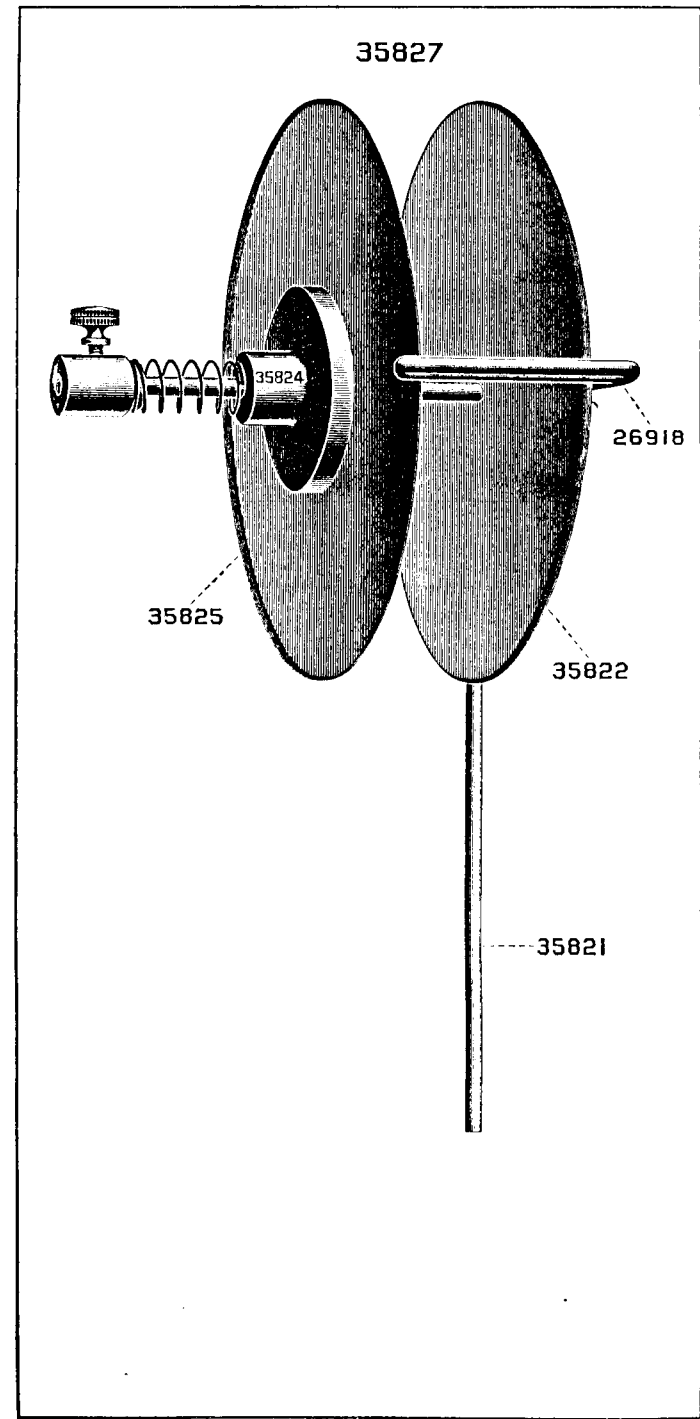


PLATE 2112—ONE-HALF SIZE

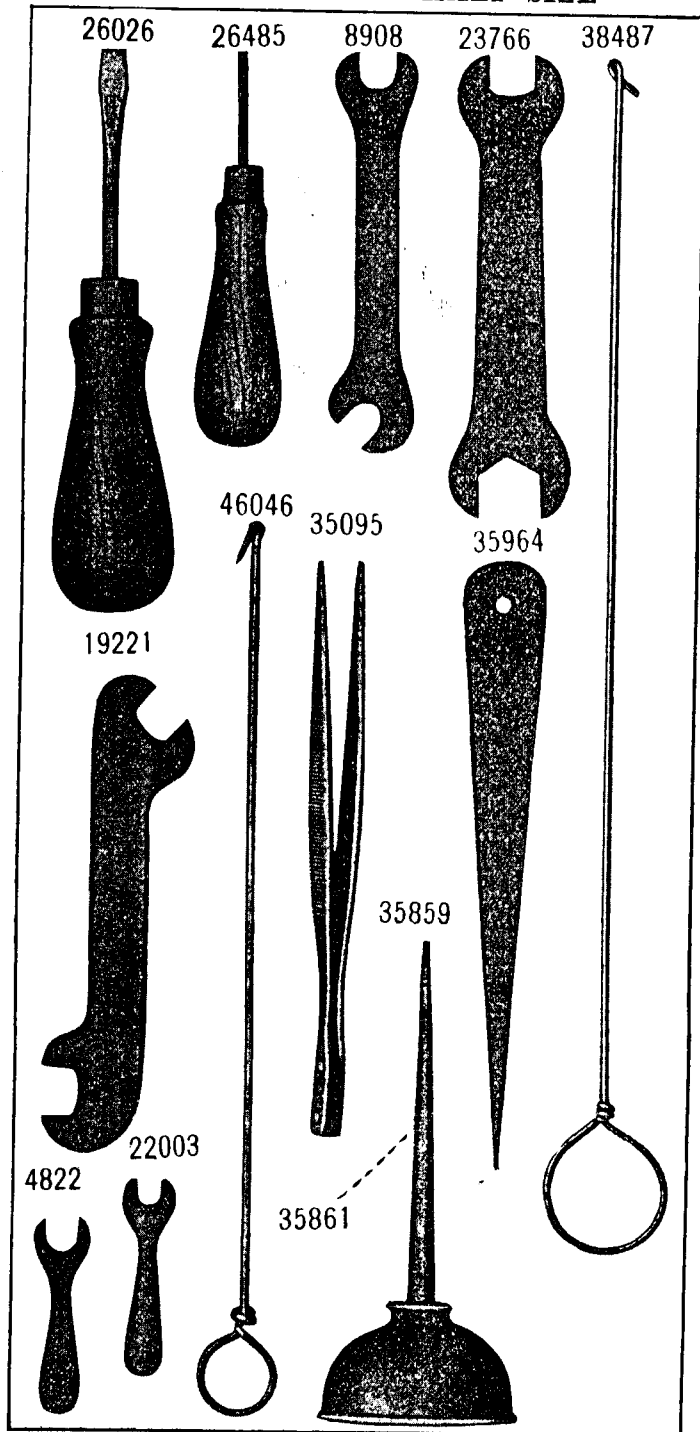


PLATE 2114—ONE-FOURTH SIZE

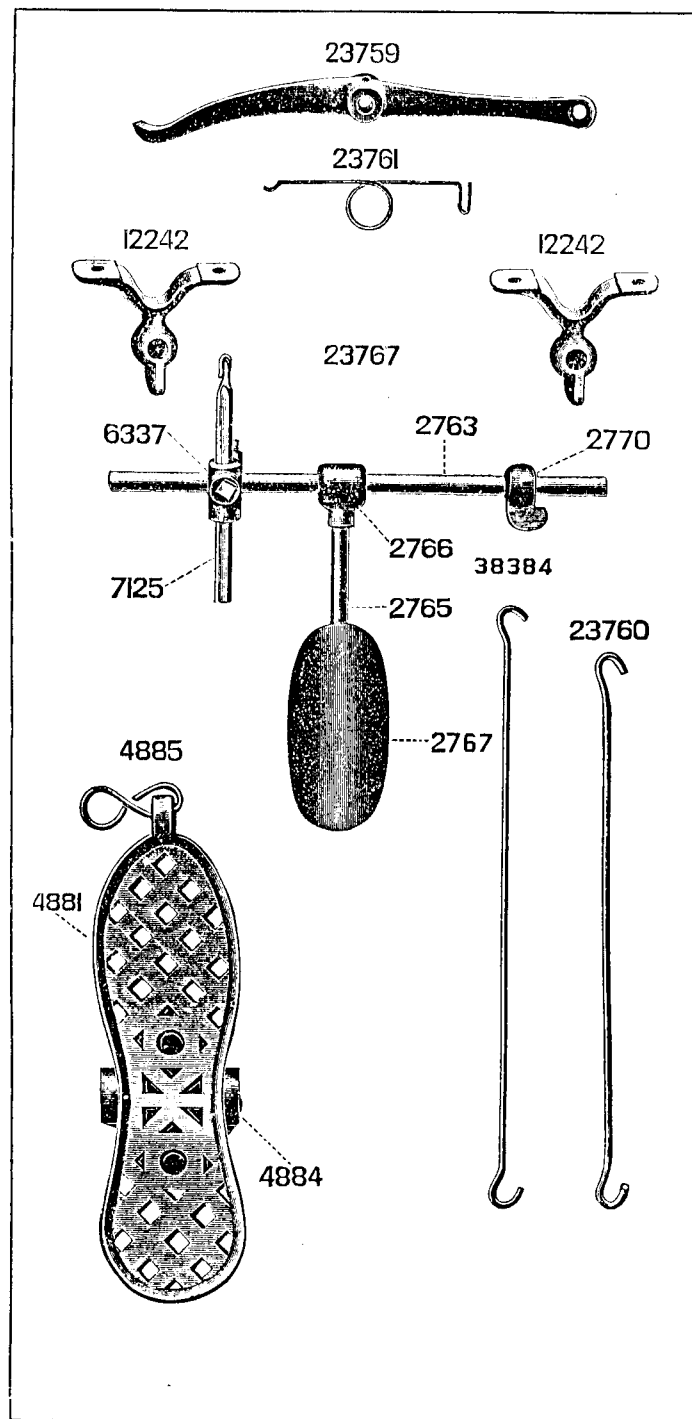


PLATE 2116—ONE-HALF SIZE

28994

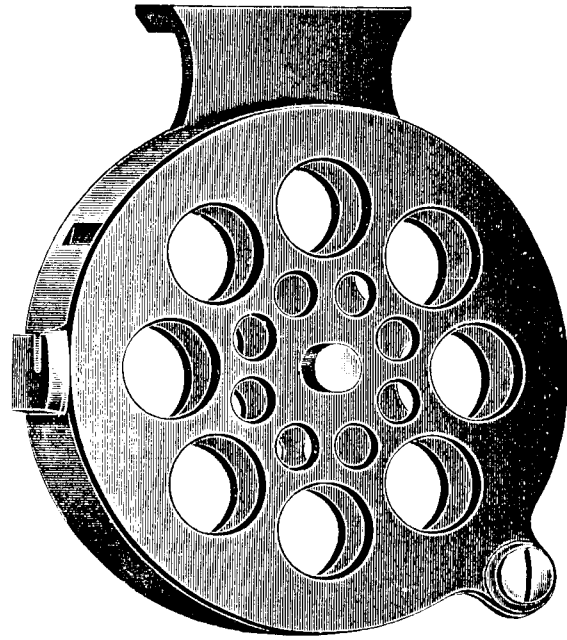


PLATE 2148—FULL SIZE

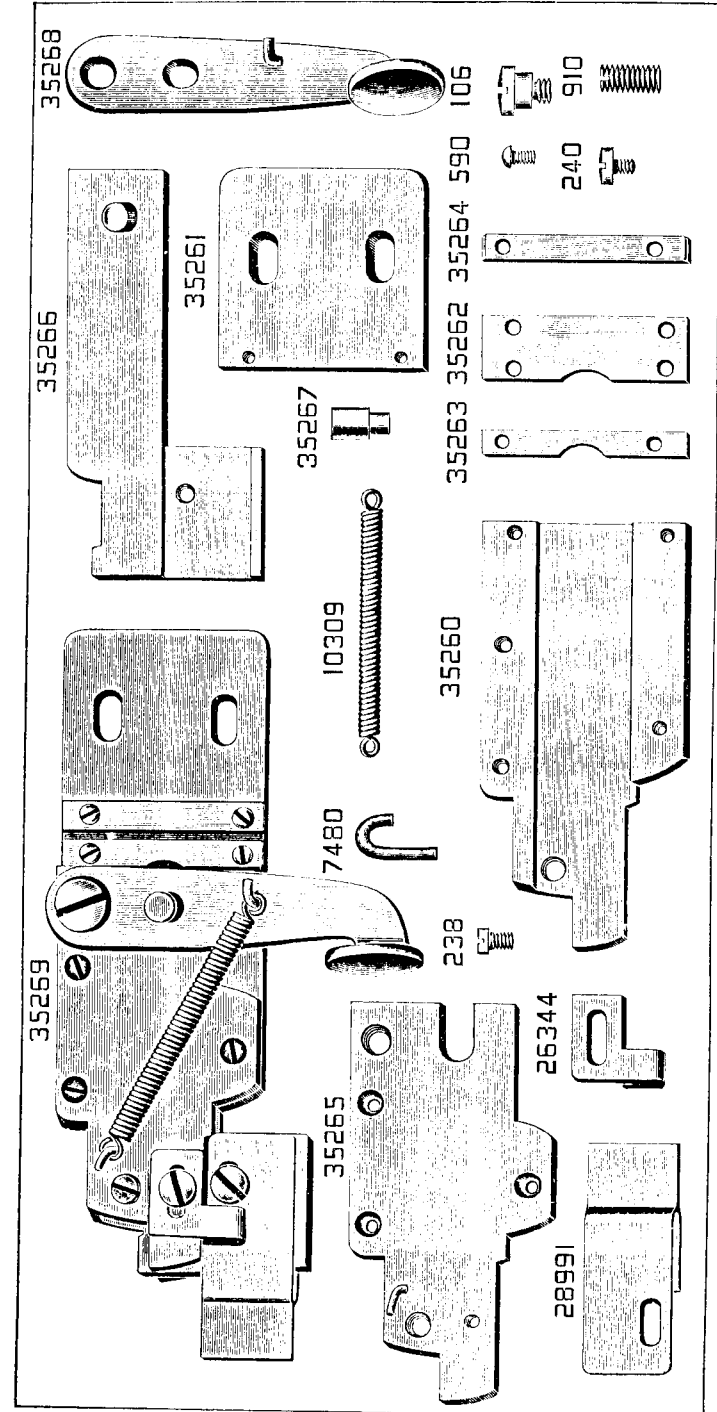


PLATE 2640—ONE-FOURTH SIZE

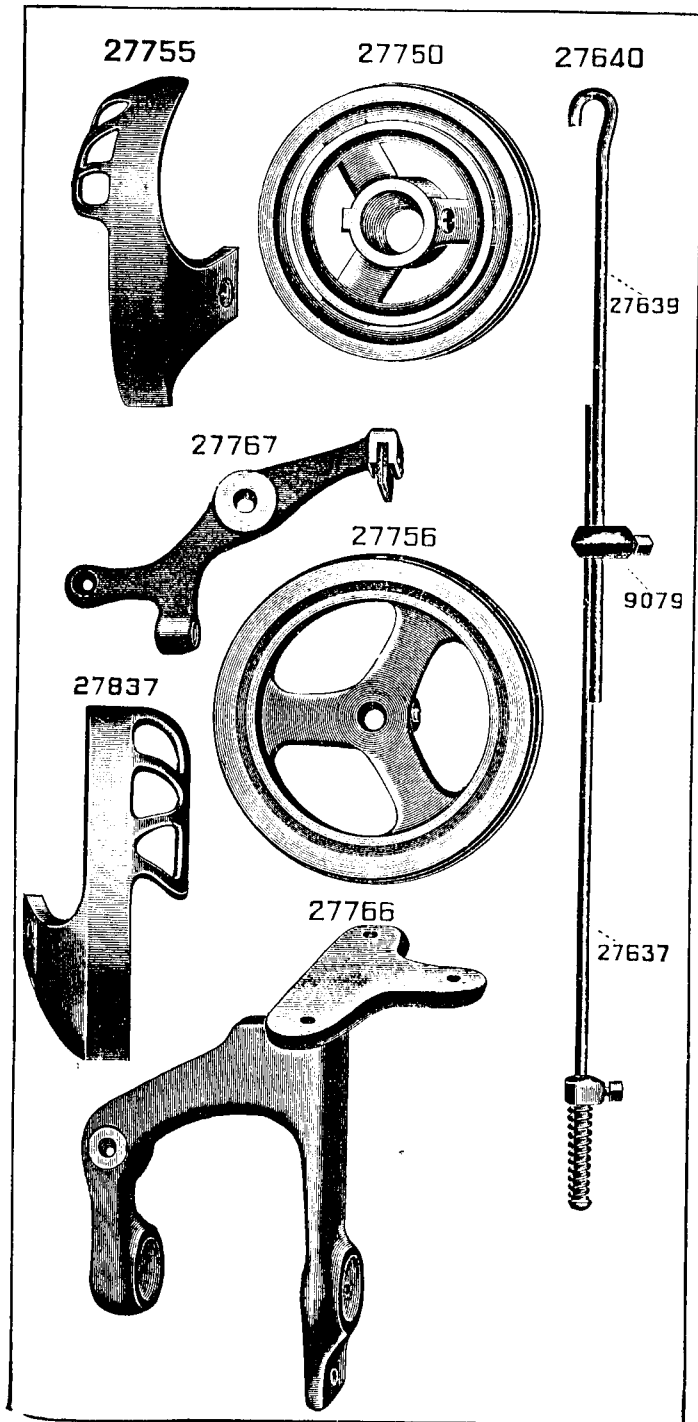


PLATE 2641—FULL SIZE

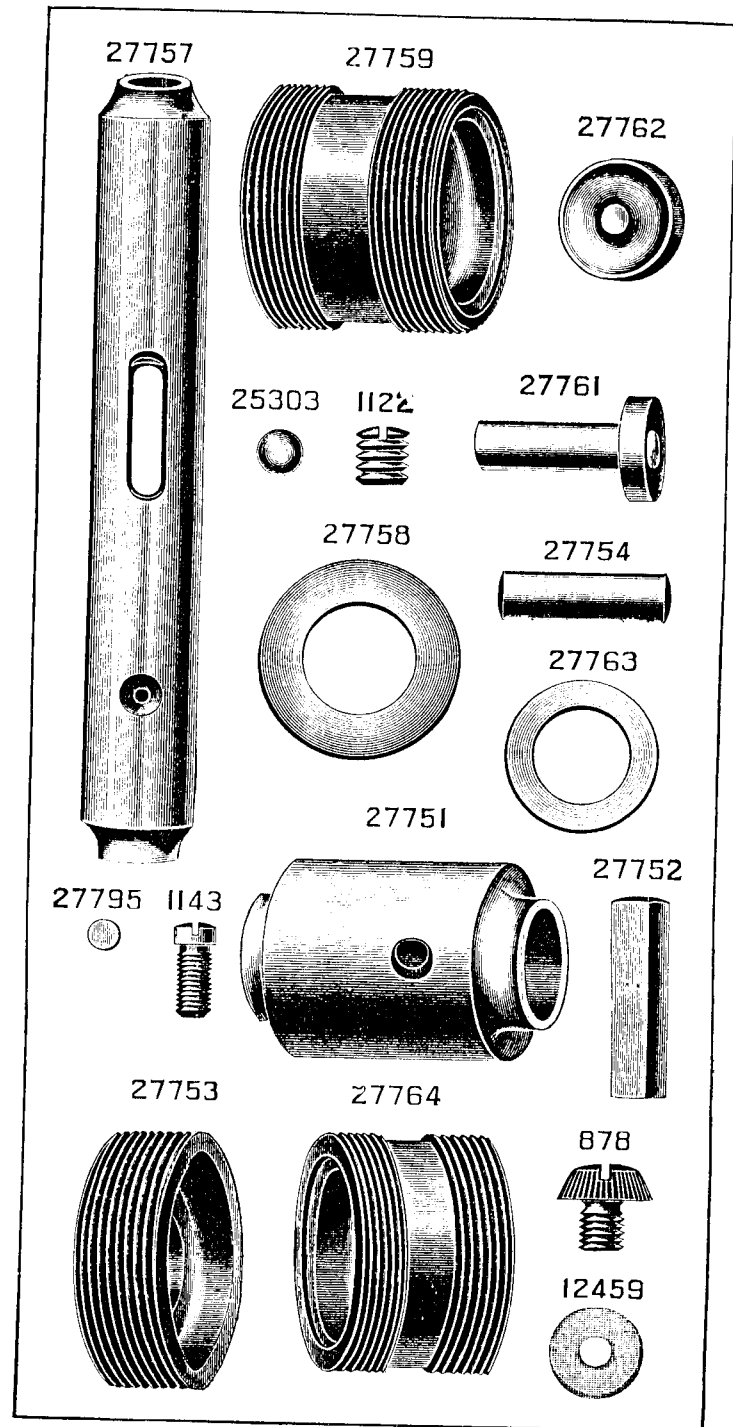


PLATE 2642—FULL SIZE

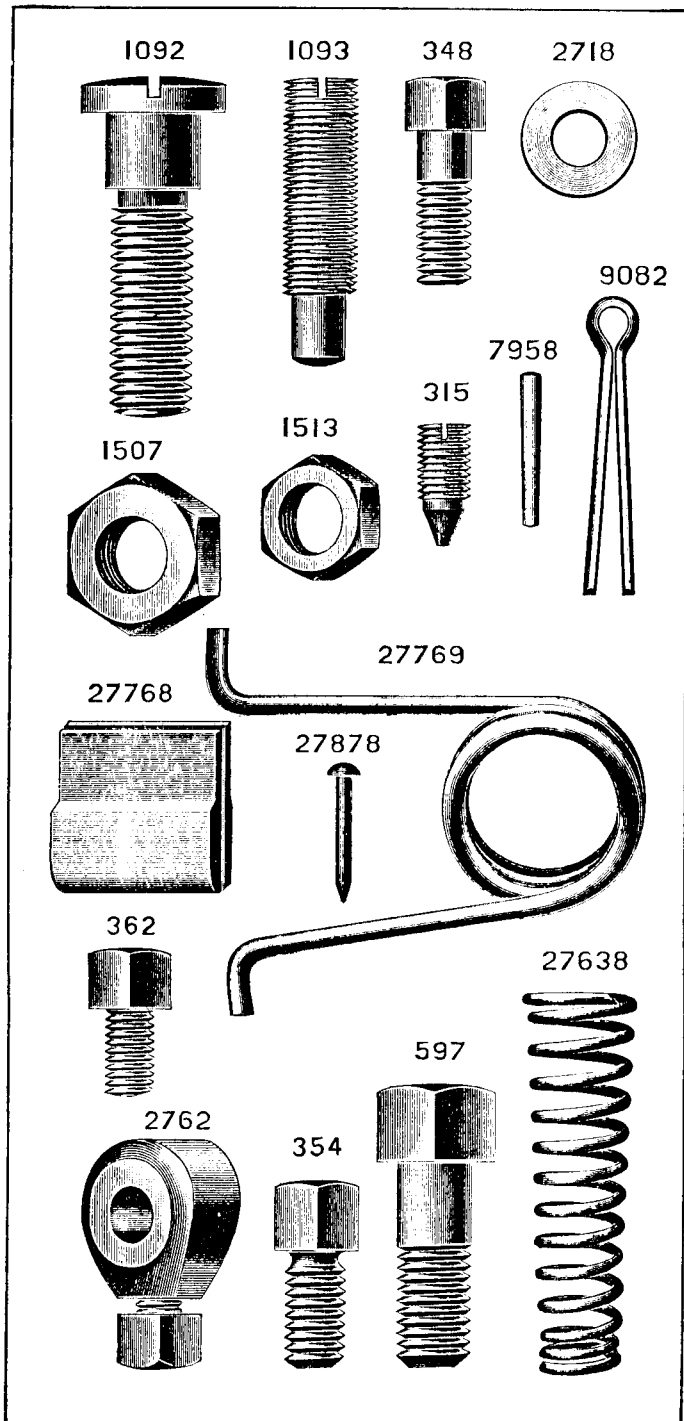


PLATE 2837—ONE-FOURTH SIZE

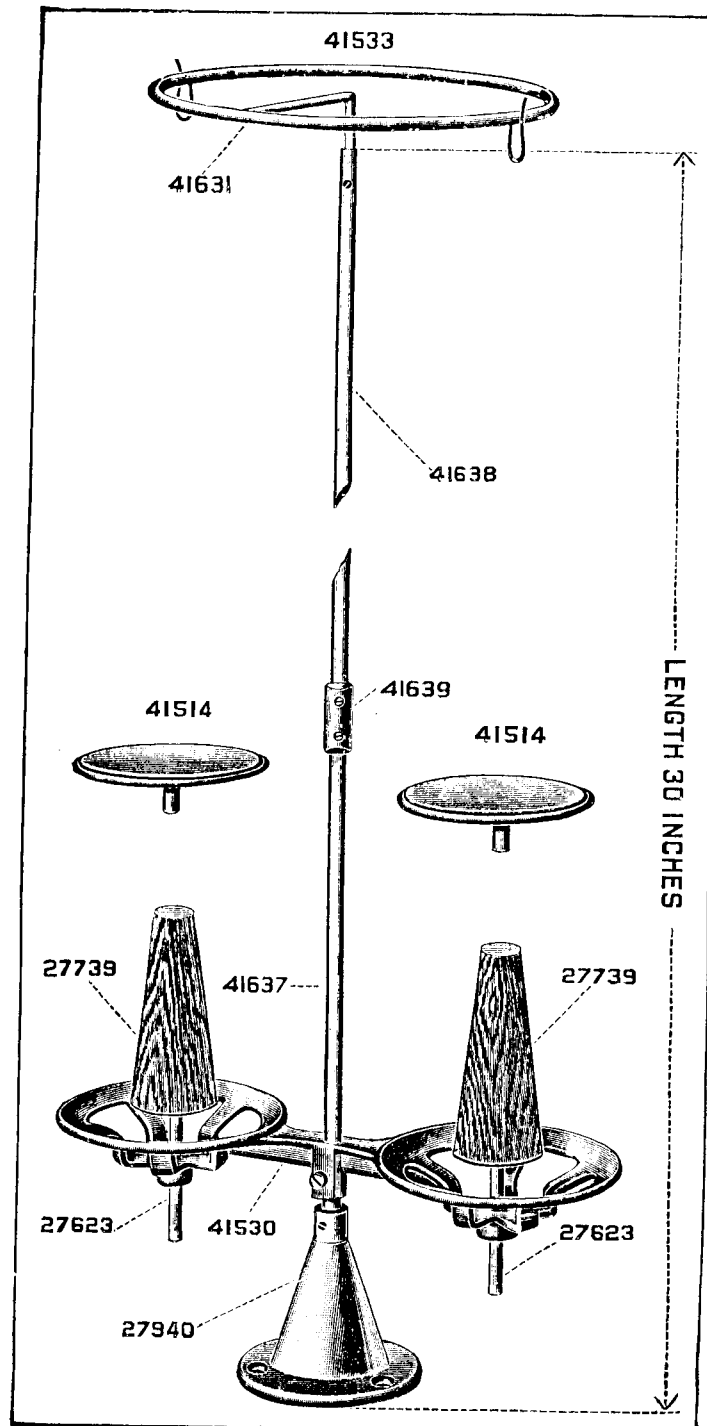




PLATE 2838—ONE-FOURTH SIZE

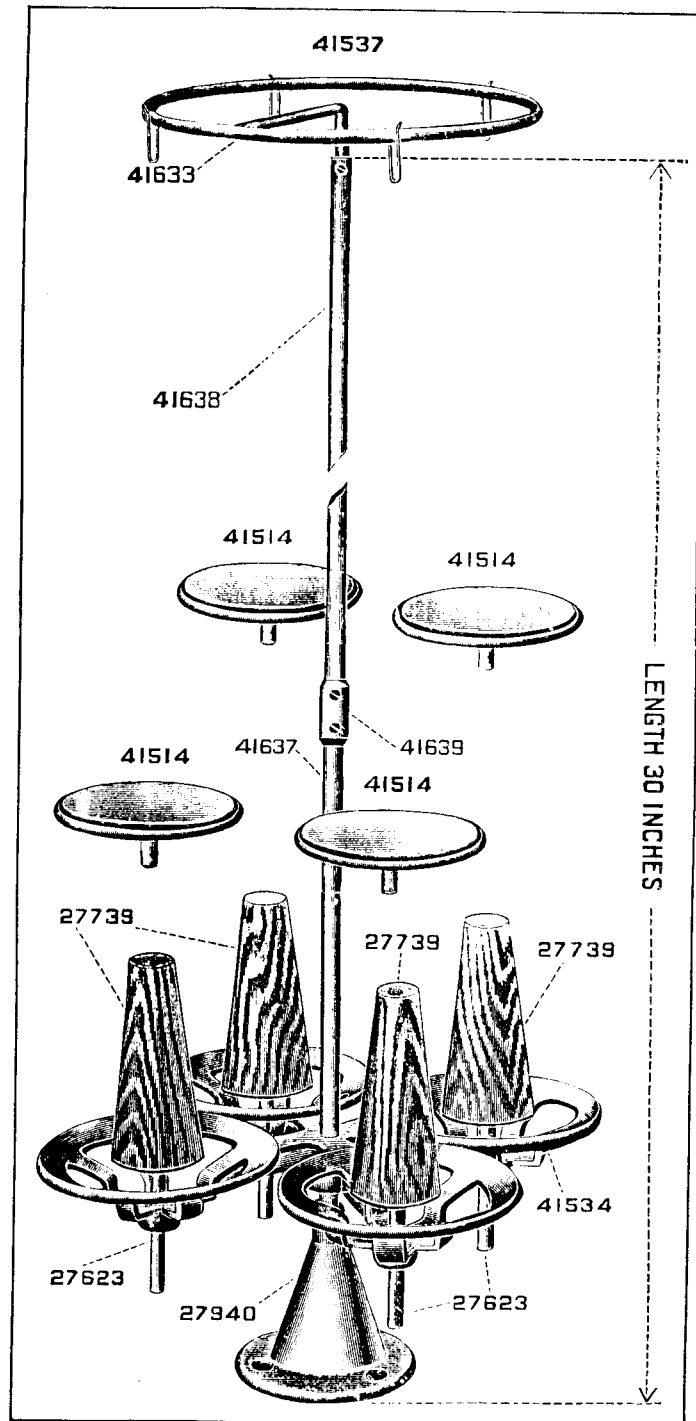


PLATE 4846—FULL SIZE

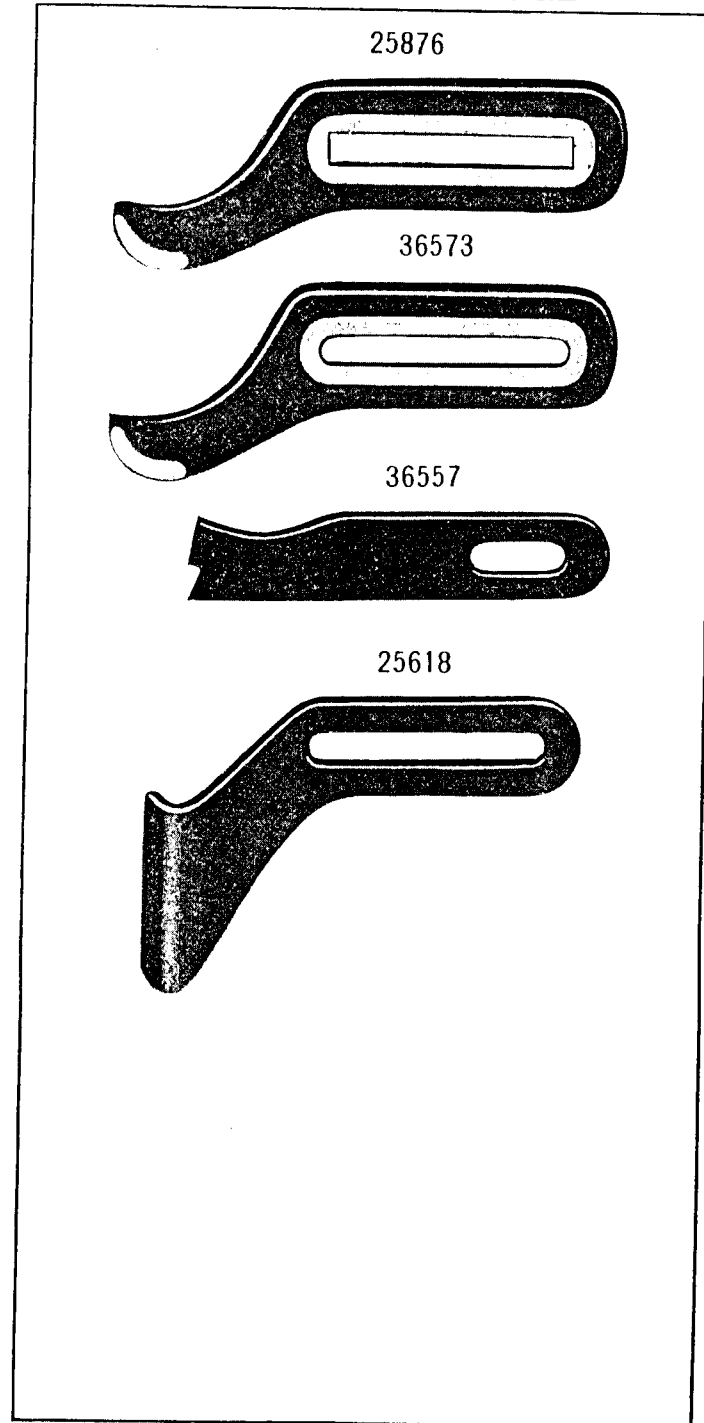


PLATE 4847—ONE-HALF SIZE

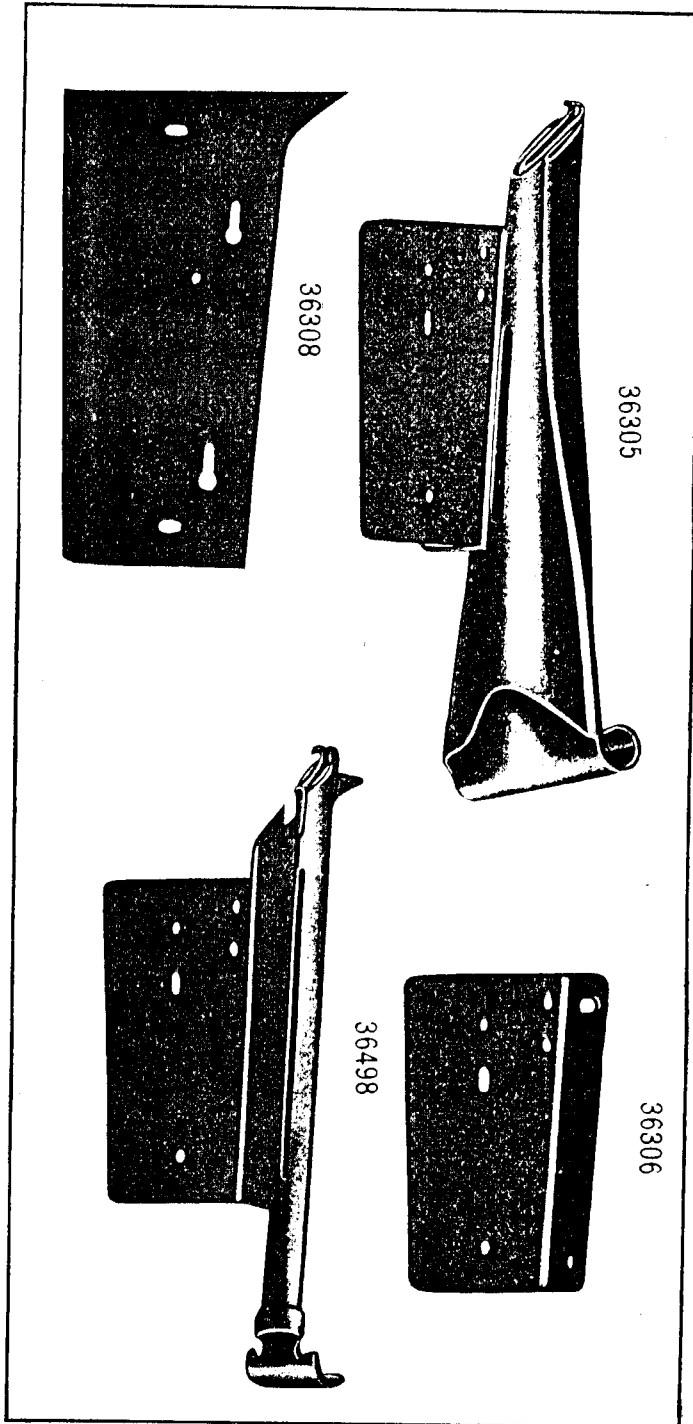


PLATE 4848—FULL SIZE

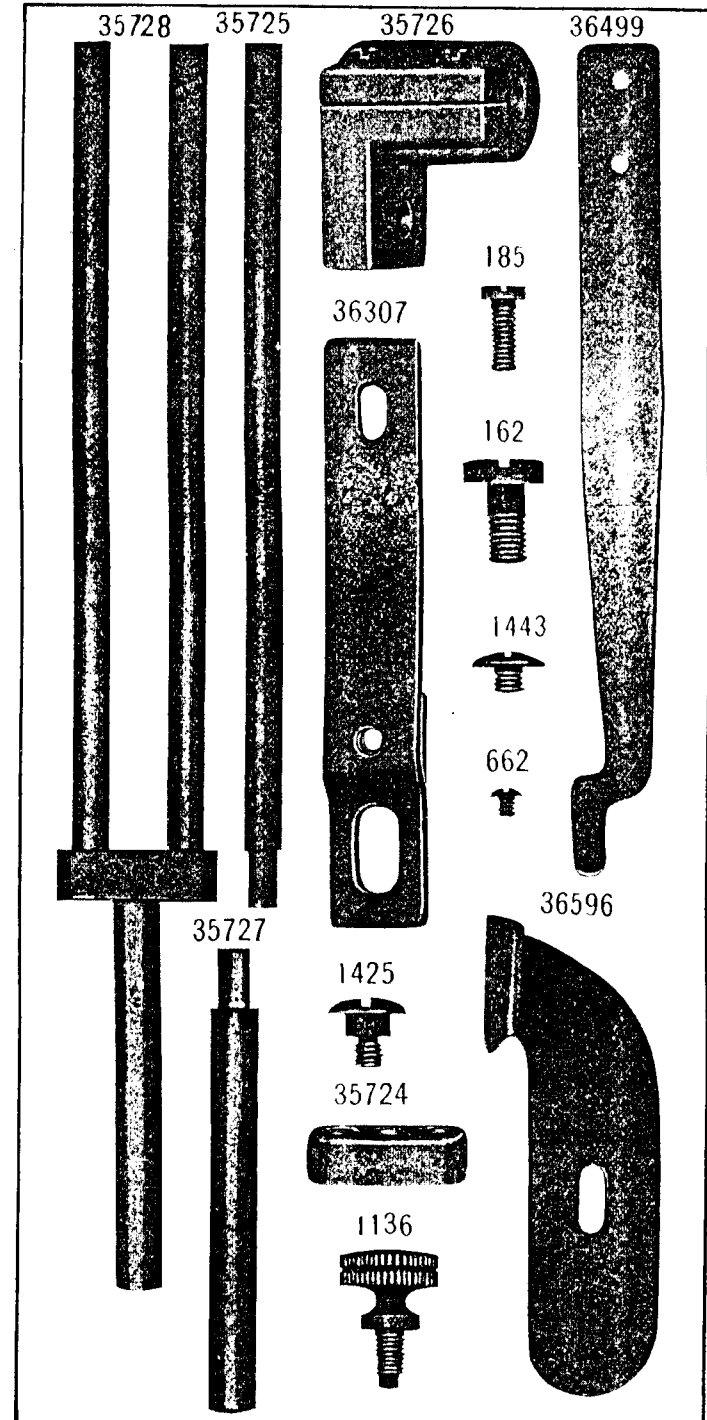


PLATE 4849—FULL SIZE

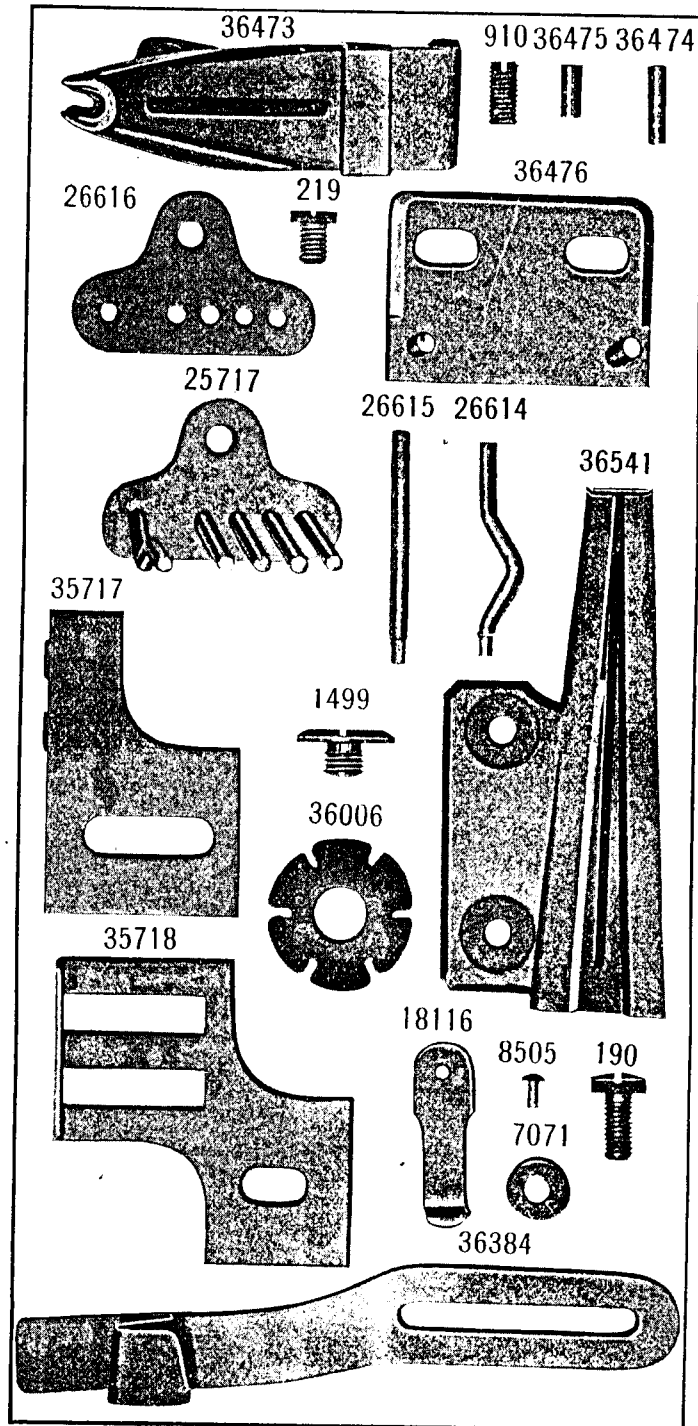


PLATE 4850—ONE-HALF SIZE

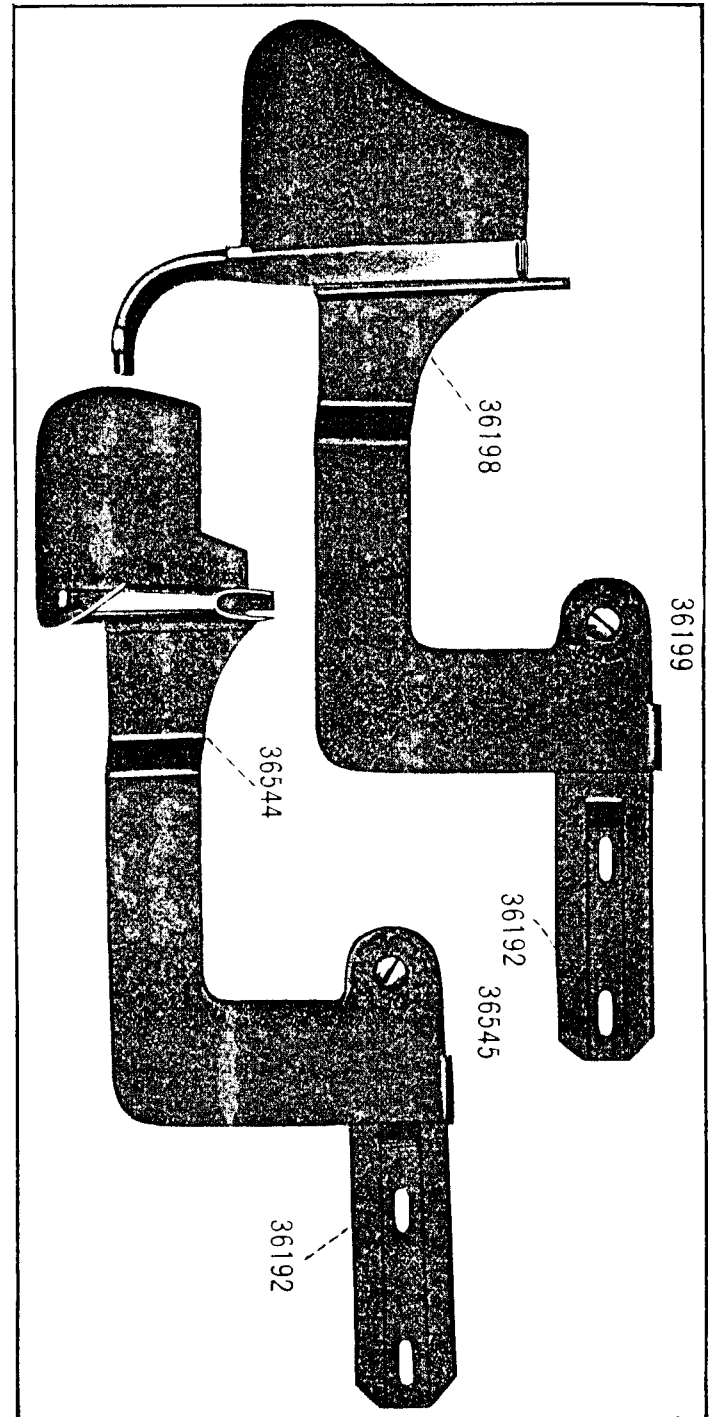


PLATE 4851—FULL SIZE

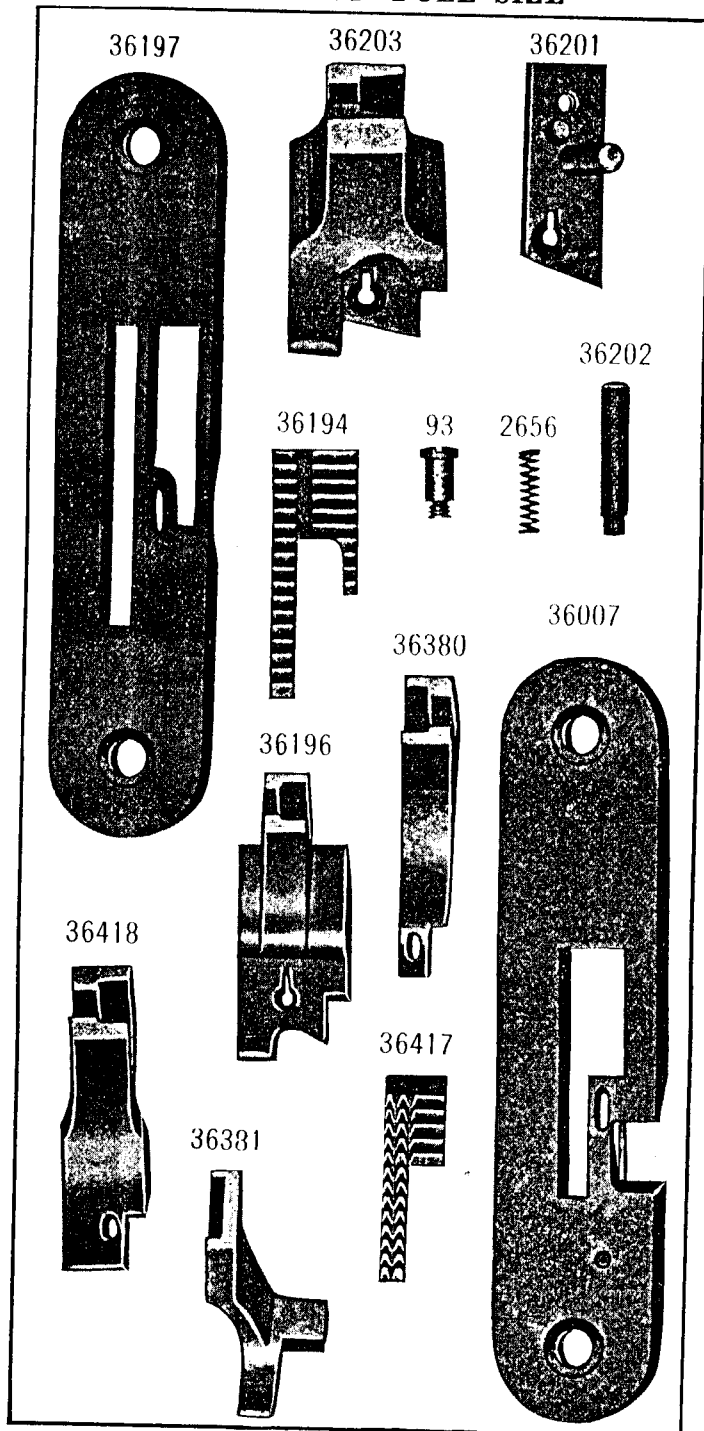


PLATE 4852—FULL SIZE

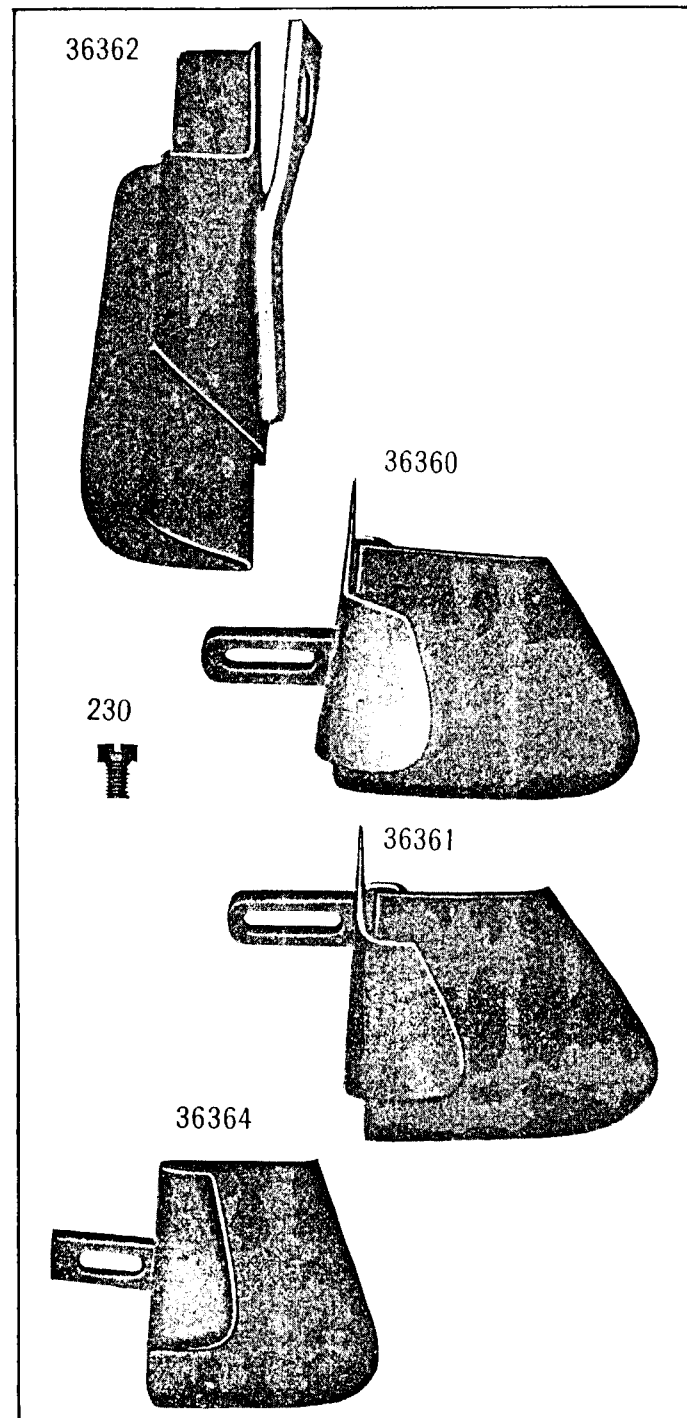
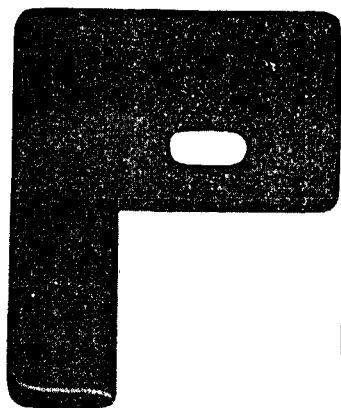
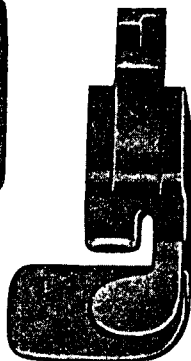


PLATE 4853—FULL SIZE

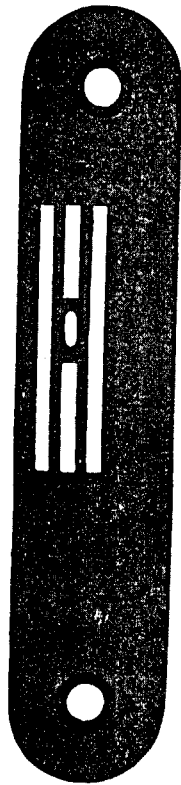
36040



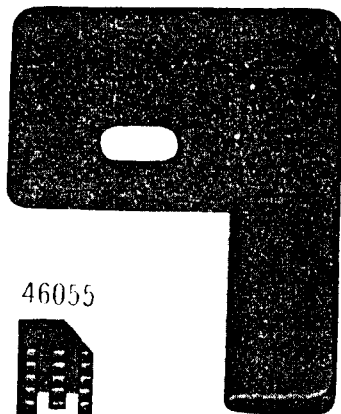
36039



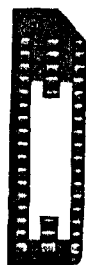
46059



36128



46055



36127

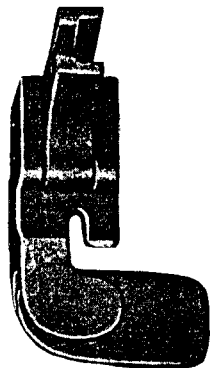


PLATE 4854—FULL SIZE

36363

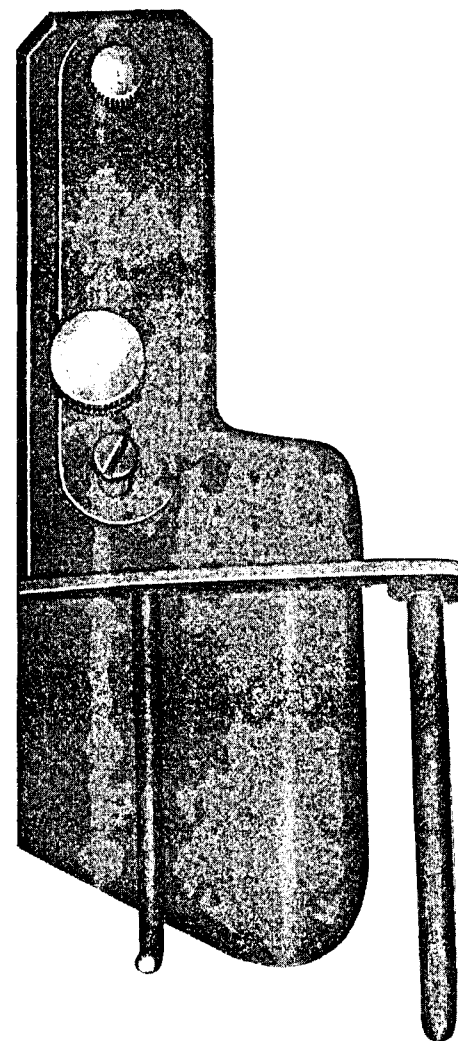


PLATE 4855—ONE-HALF SIZE

36444



36440



36442



36443



36441



PLATE 4856—ONE-HALF SIZE

36027



36326



36328



36567



36327



36330



35998

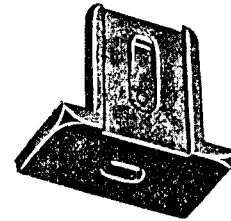
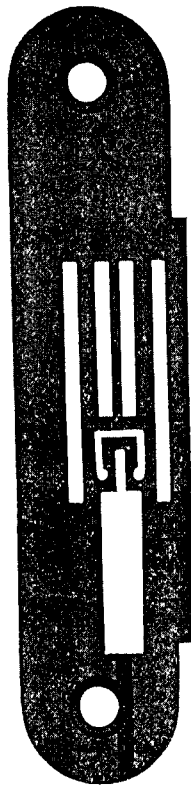


PLATE 4857—FULL SIZE

36032



36446



36031



36028

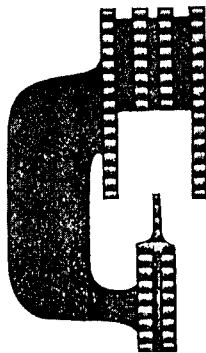
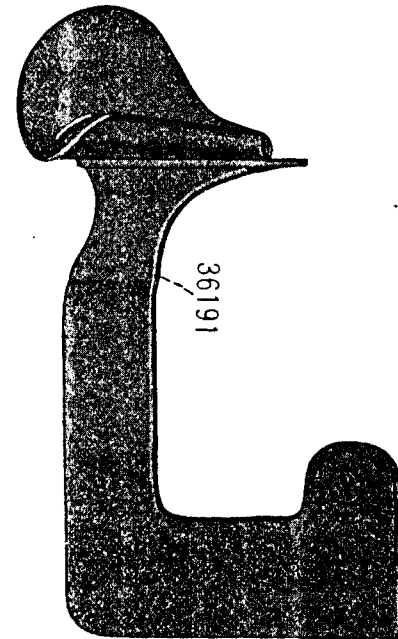


PLATE 4858—ONE-HALF SIZE

36191



36193

36192





PLATE 4874—ONE-HALF SIZE

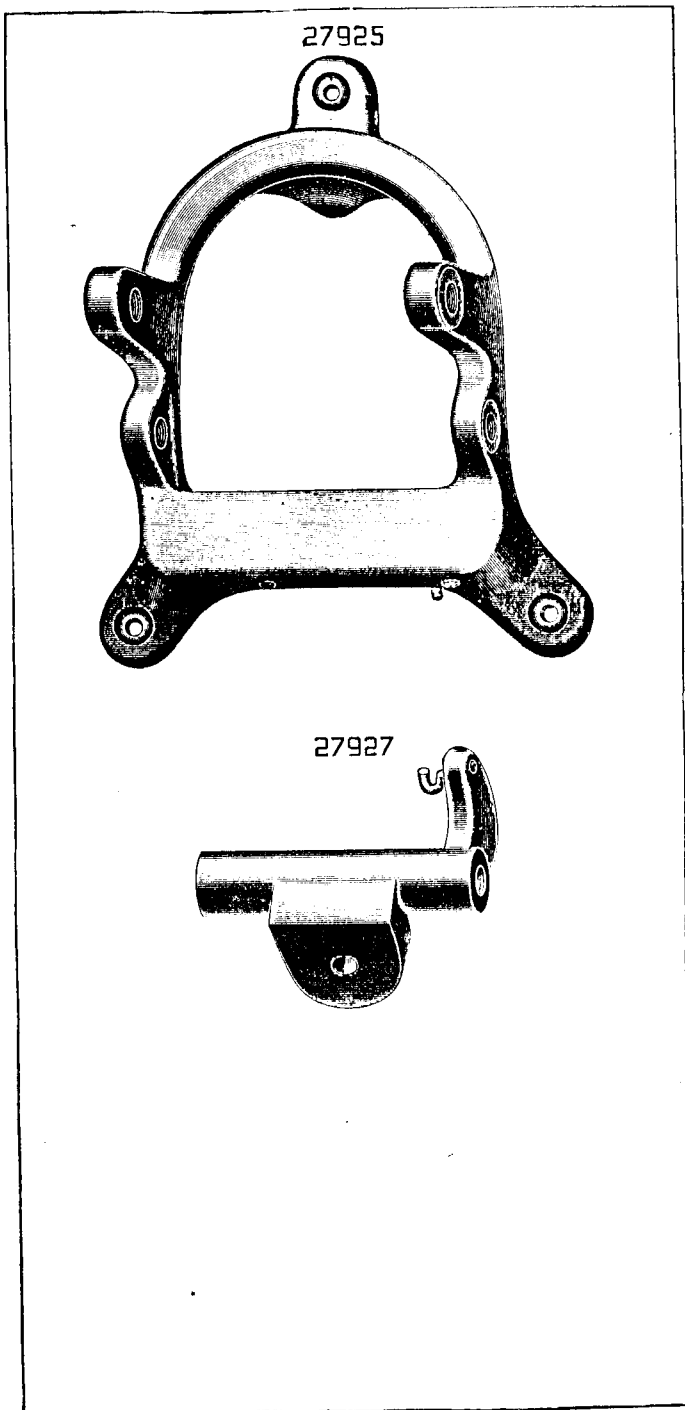


PLATE 4875—FULL SIZE

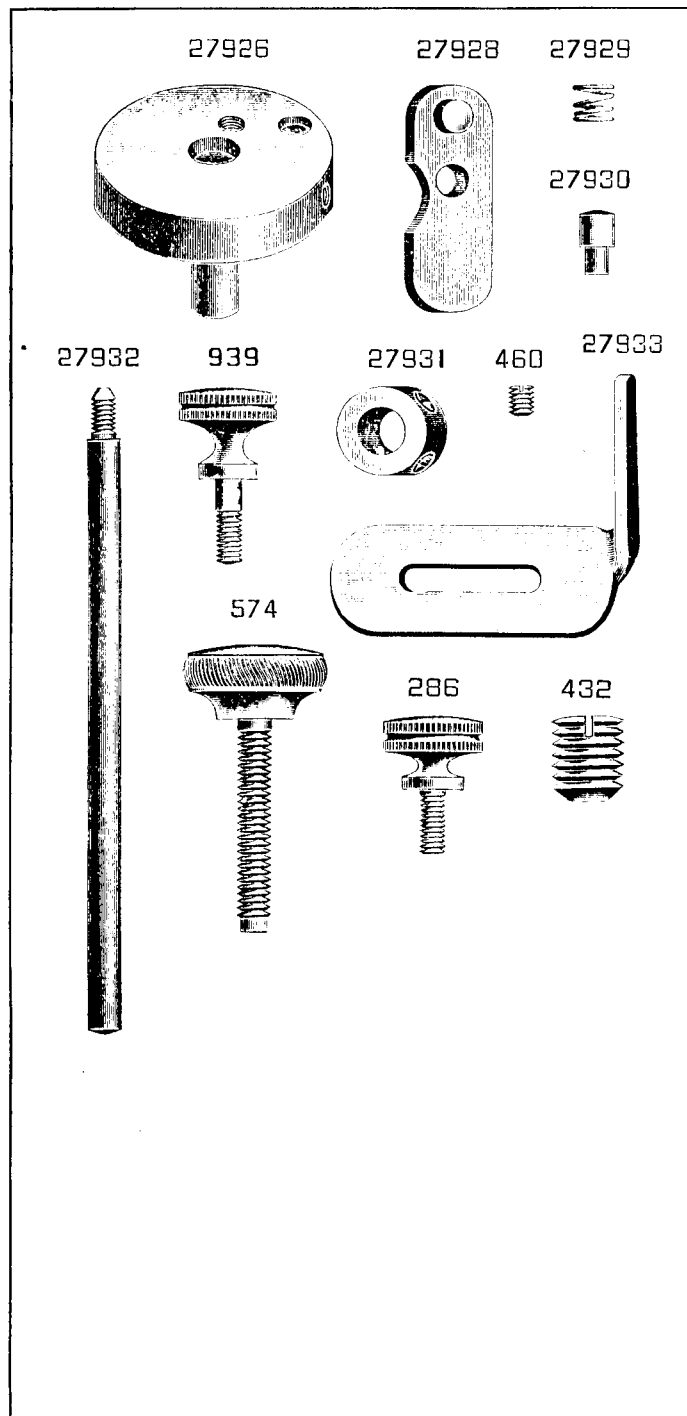




PLATE 5571—ONE-FOURTH SIZE

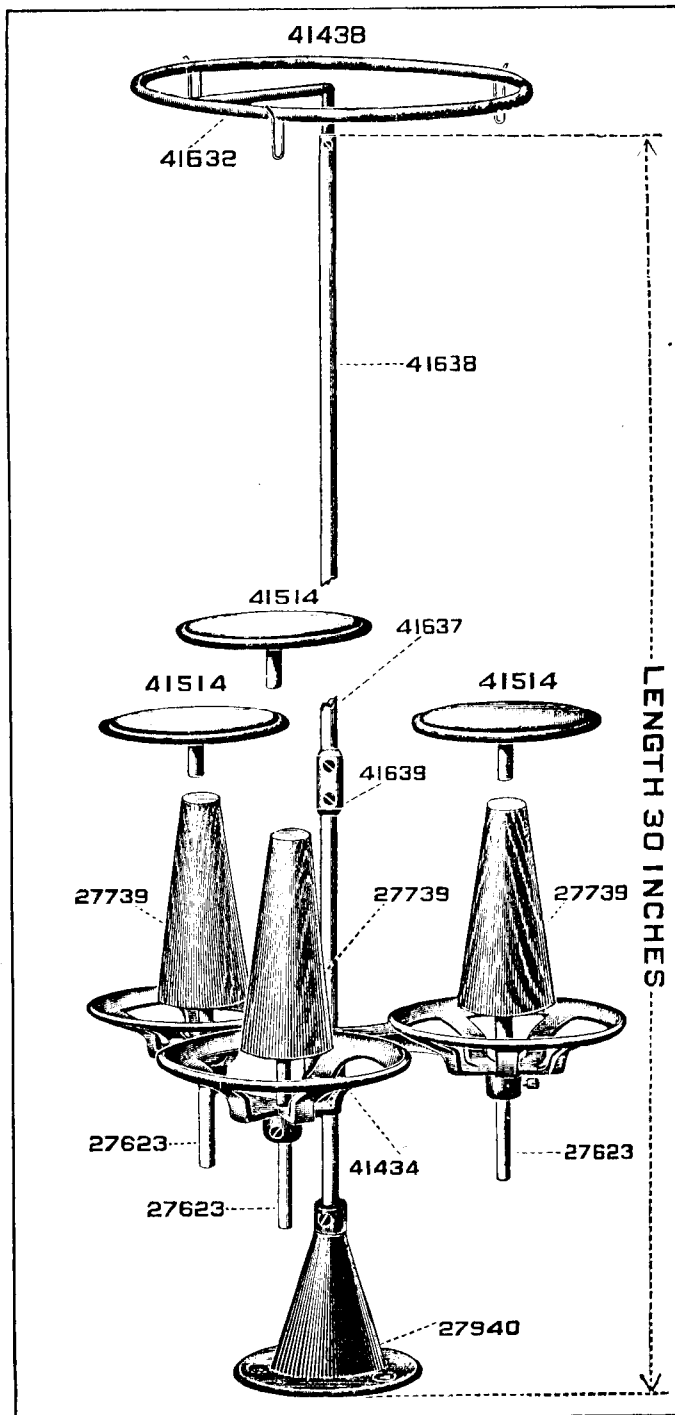


PLATE 6475—FULL SIZE

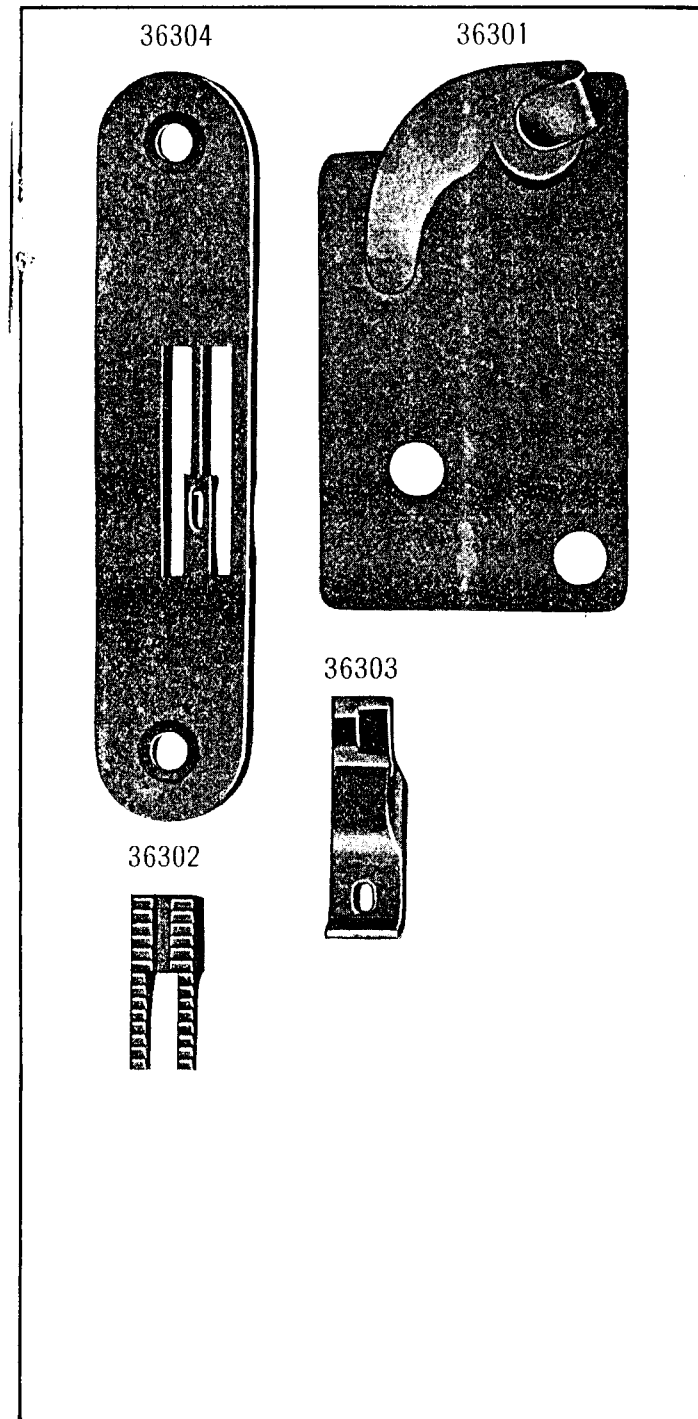


PLATE 6476—FULL SIZE

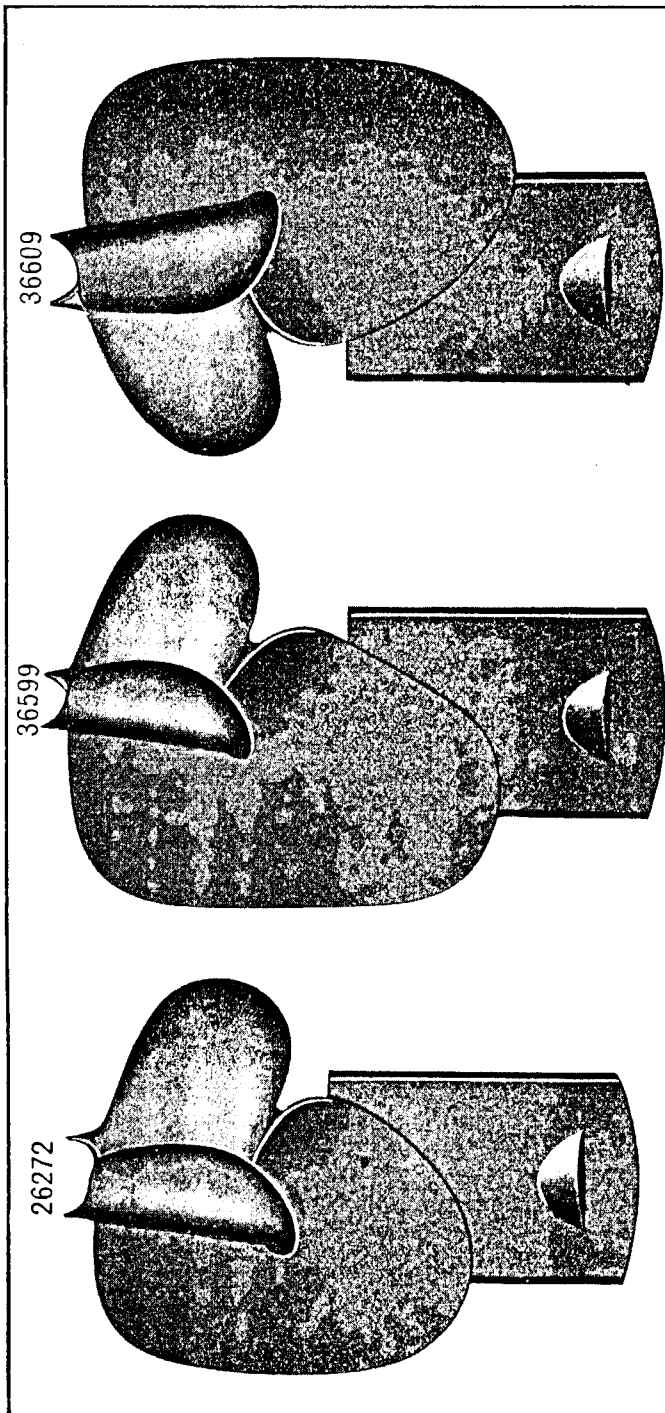


PLATE 6477—FULL SIZE

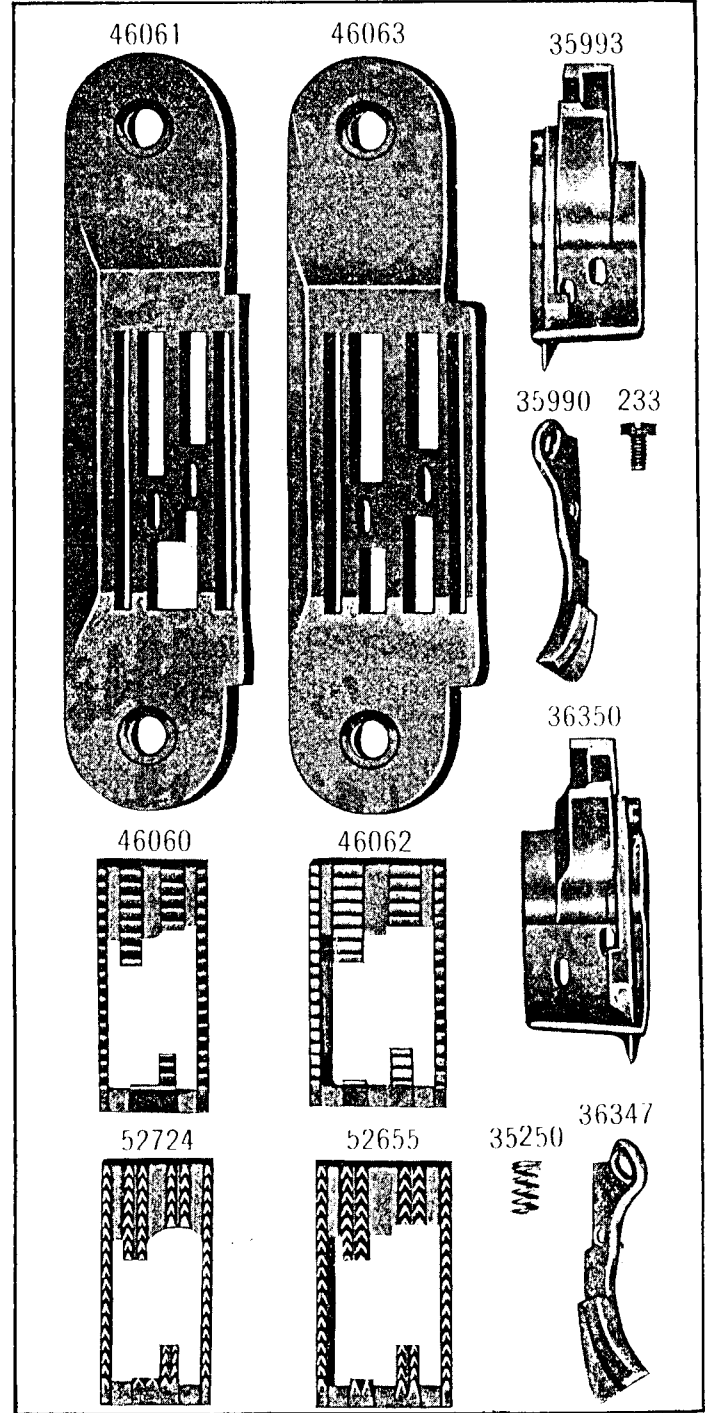
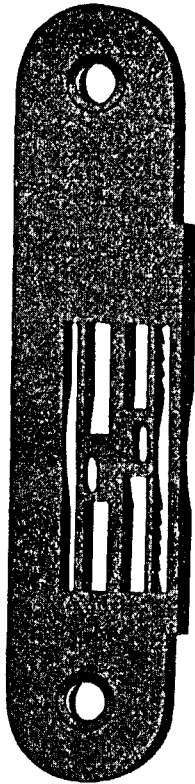


PLATE 6478—FULL SIZE

36604



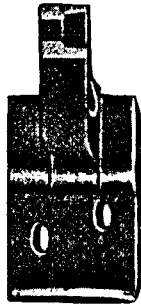
46090



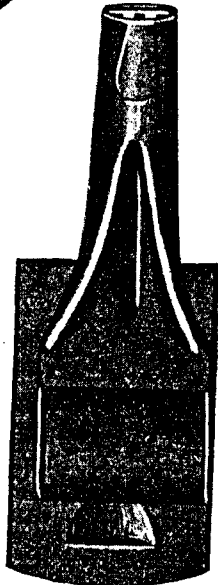
46081



36146



36144



36600



36603

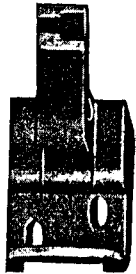
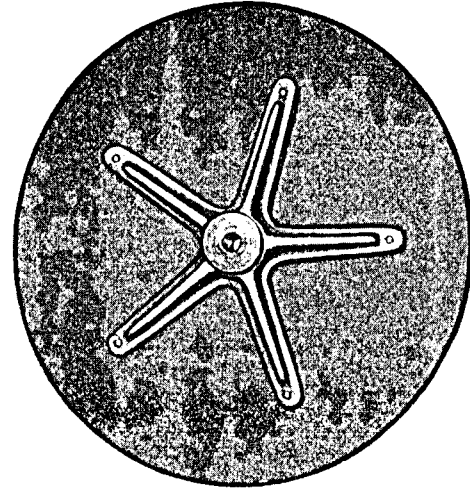
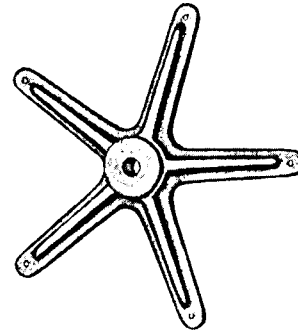


PLATE 6479—ONE-FOURTH SIZE

35909



35910



35915

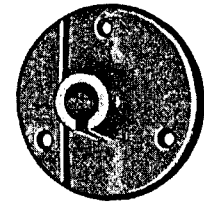


PLATE 6480—FULL SIZE

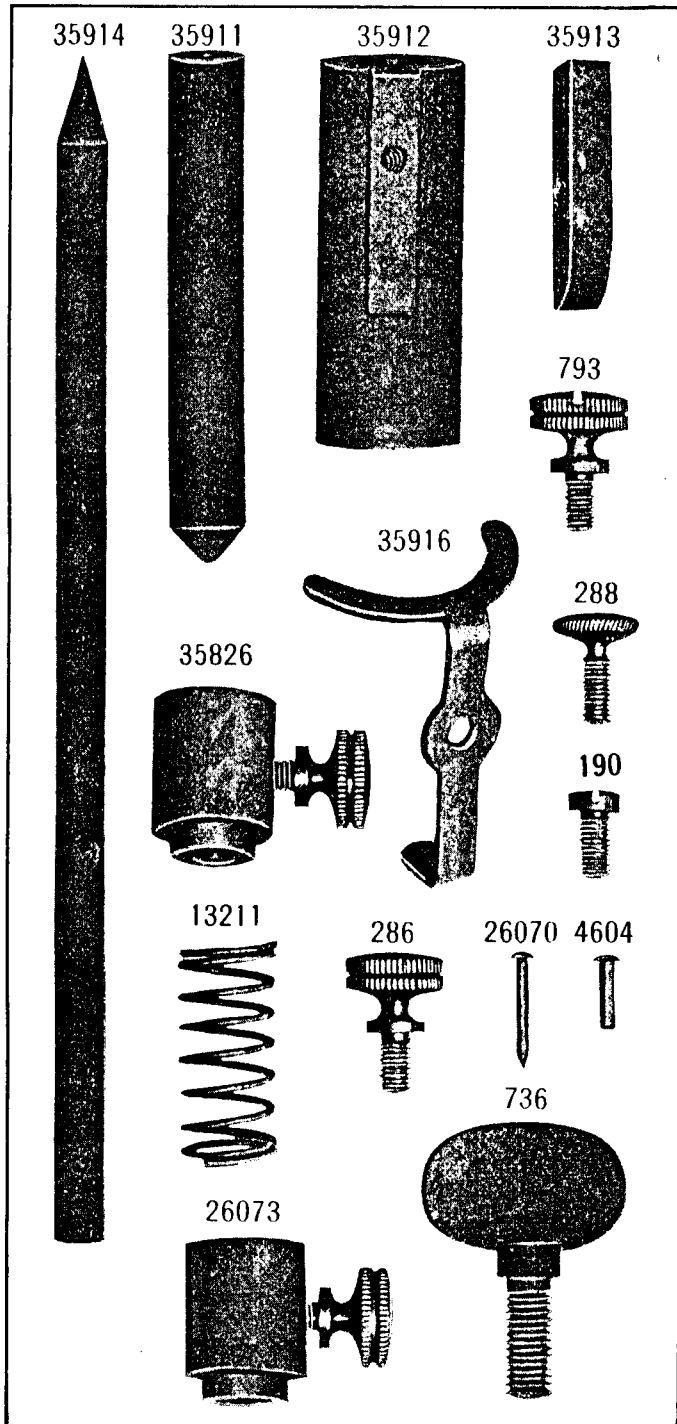


PLATE 6481—FULL SIZE

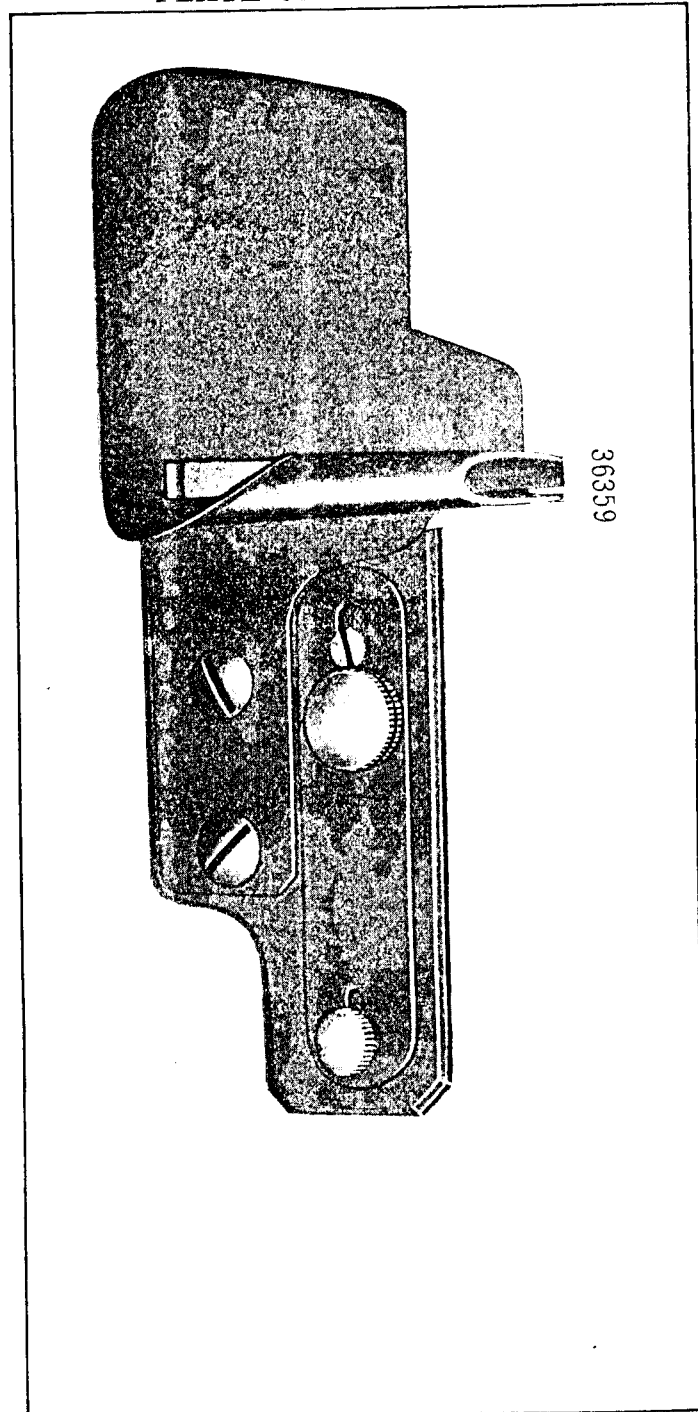
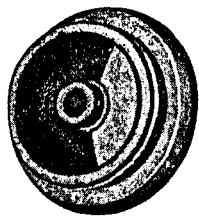
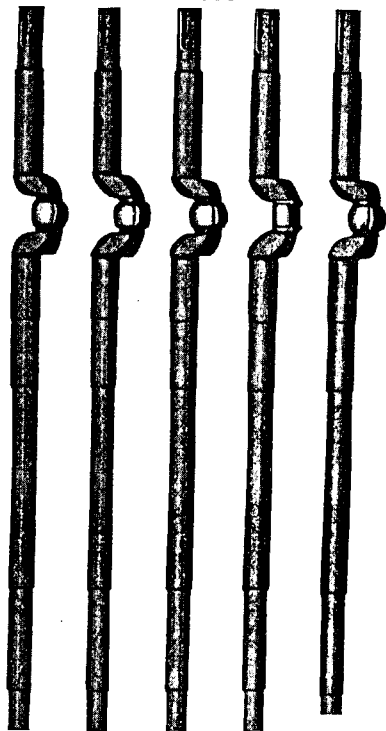


PLATE 6482—ONE-FOURTH SIZE

46218 46365 46465 38413 46343 46220



23873



52800



52647

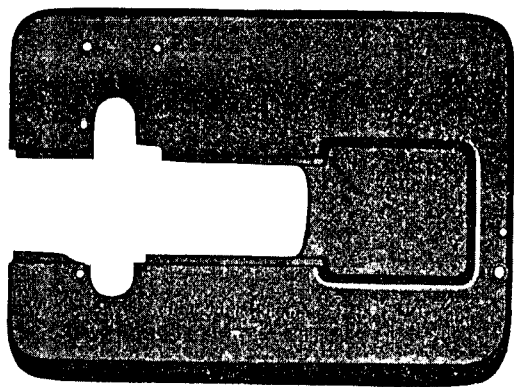
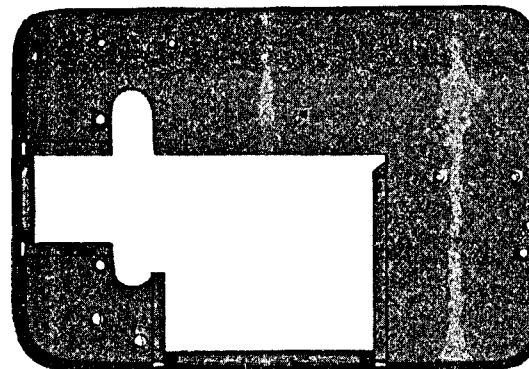
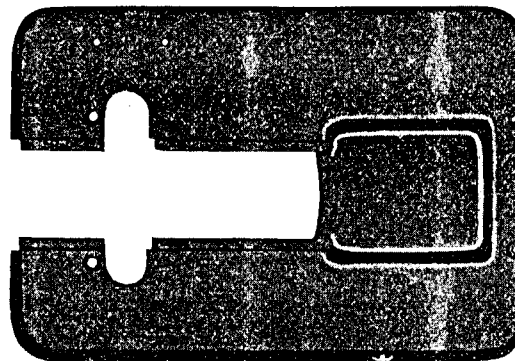


PLATE 6483—ONE-FOURTH SIZE

38414



46321



46431

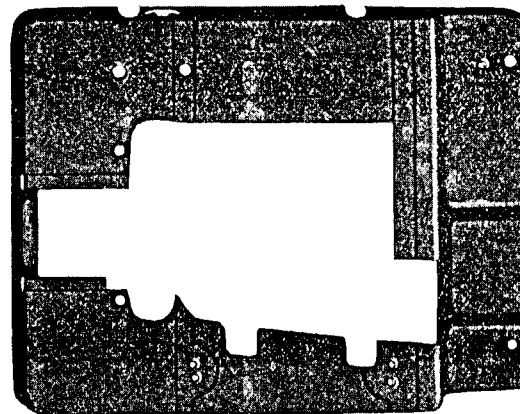
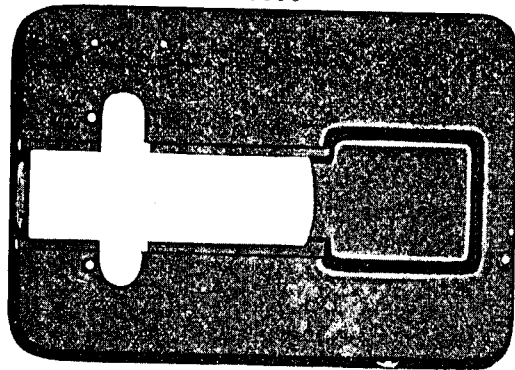
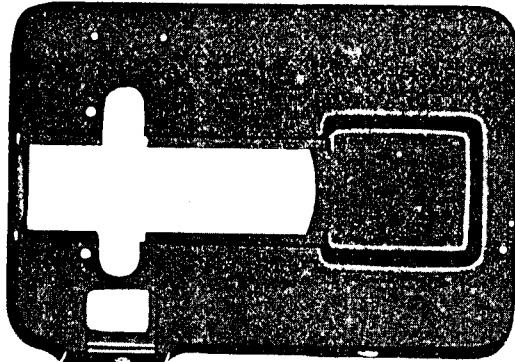


PLATE 6484—ONE-FOURTH SIZE

46096



46078



46278

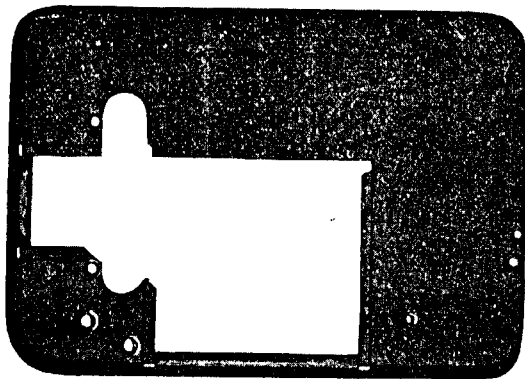
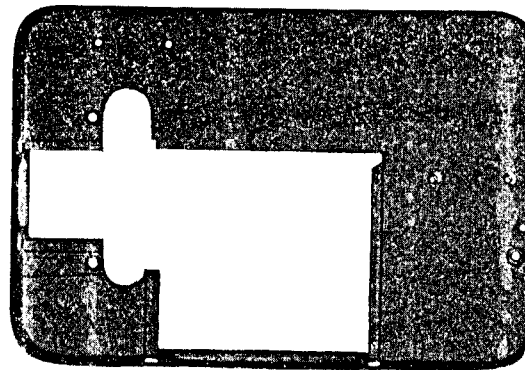
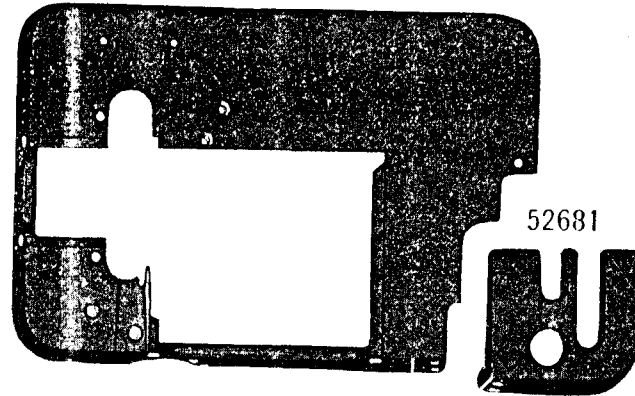


PLATE 6485—ONE-FOURTH SIZE

46468



52680



52681

52608

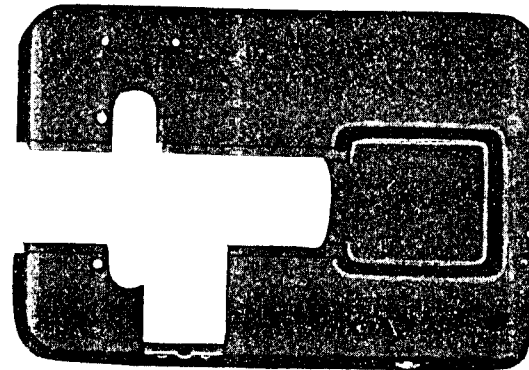
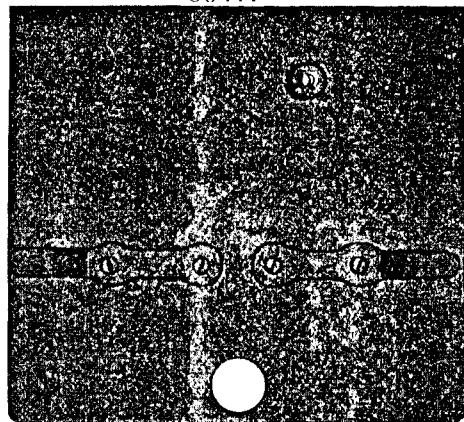


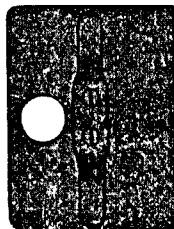


PLATE 6486—ONE-HALF SIZE

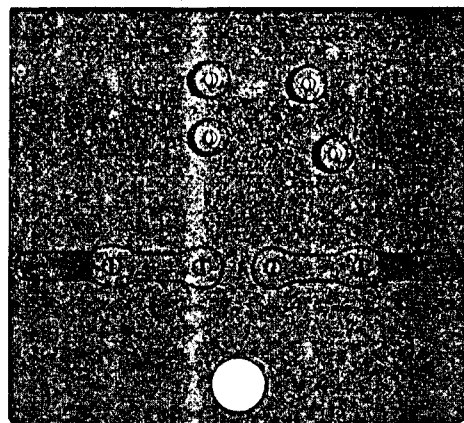
38417



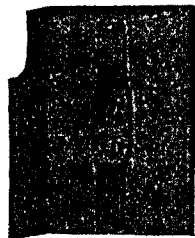
38420



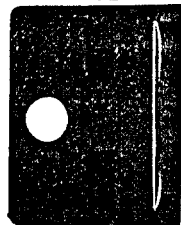
46255



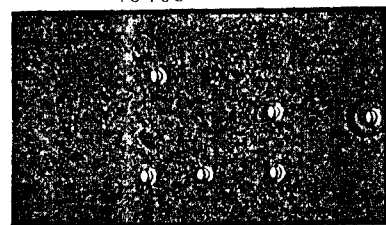
52649



46462



46463



38105

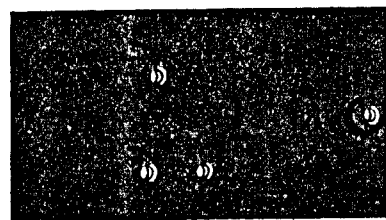
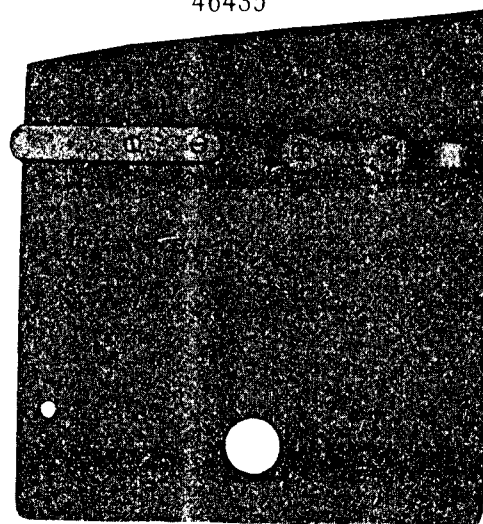
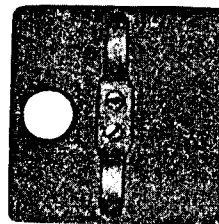


PLATE 6487—ONE-HALF SIZE

46435



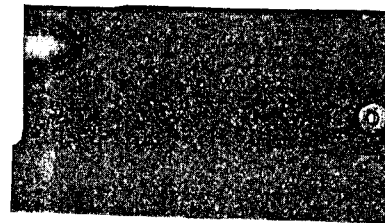
46437



46432



52631



46400

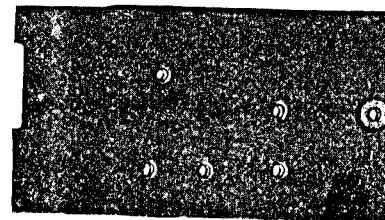
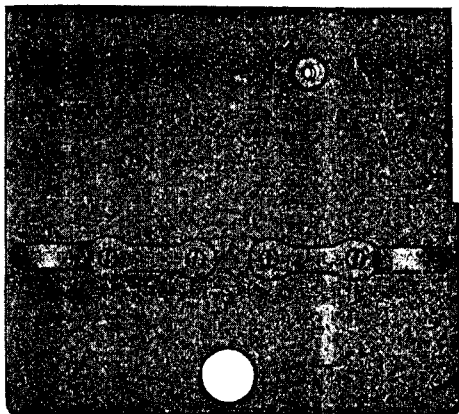
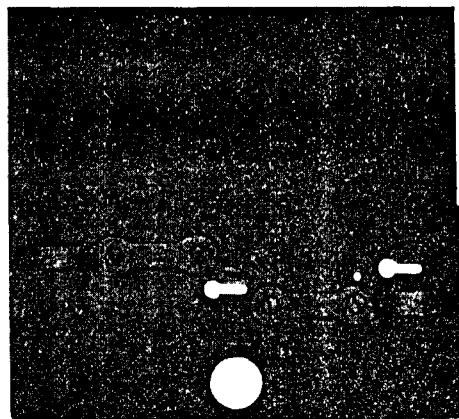


PLATE 6488—ONE-HALF SIZE

46265

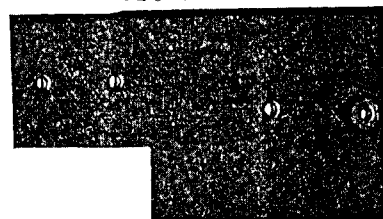
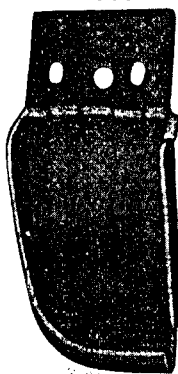


46470



52609

52610

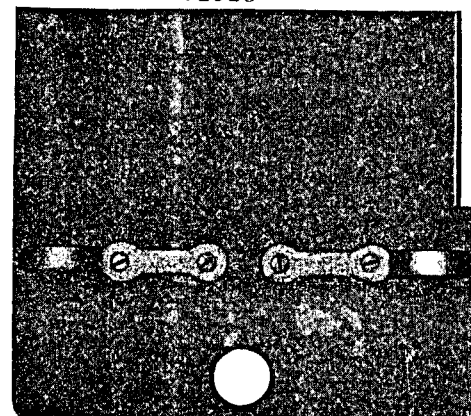


46323

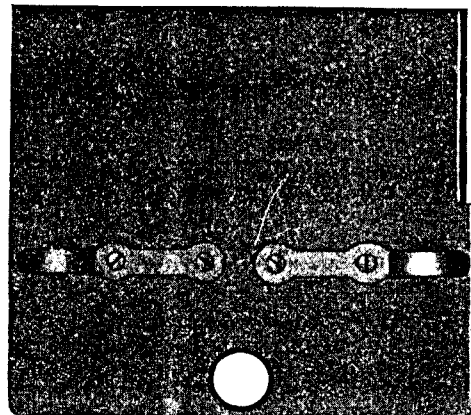


PLATE 6489—ONE-HALF SIZE

52528



46108



52686

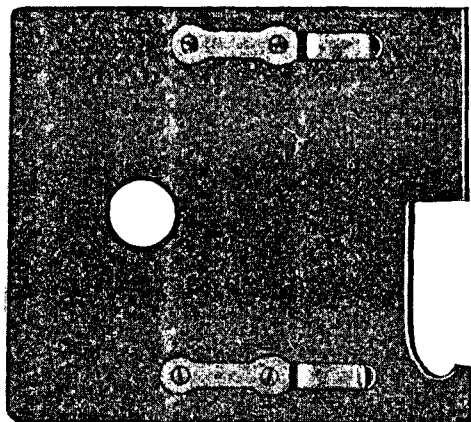




PLATE 6490—ONE-HALF SIZE

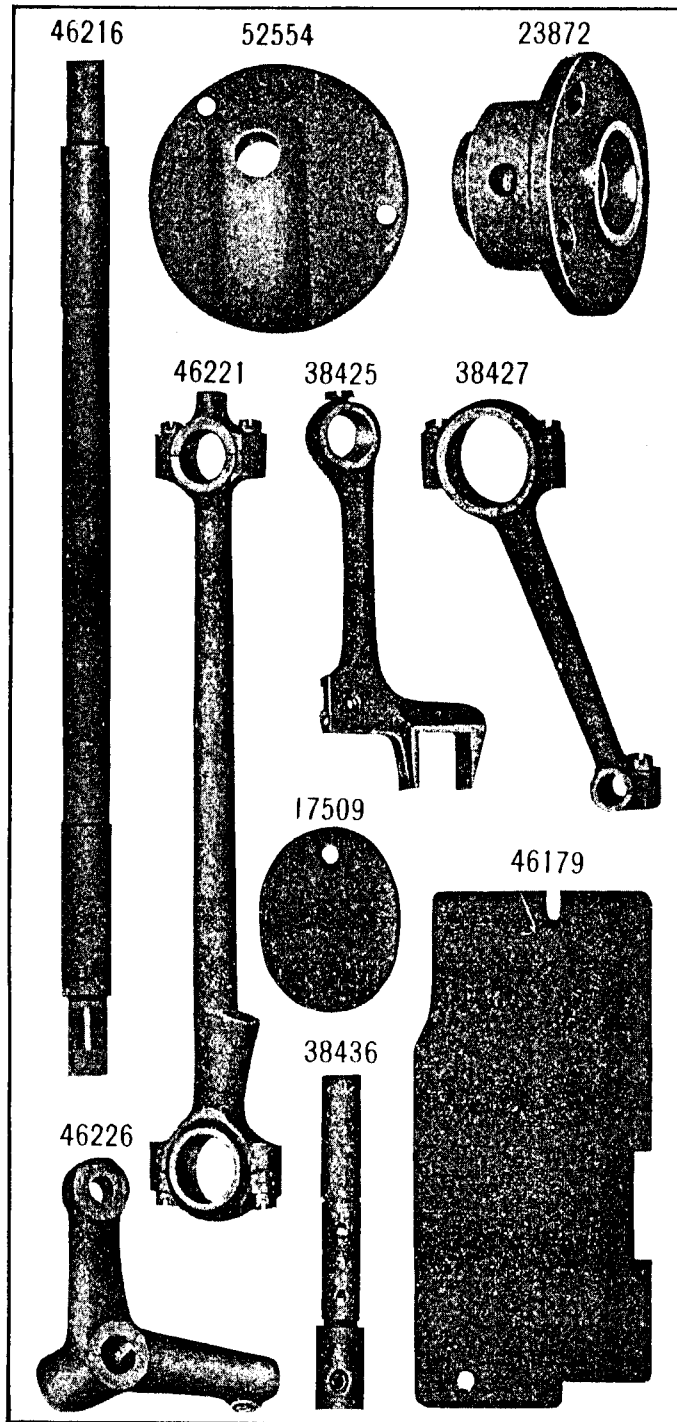


PLATE 6491—FULL SIZE

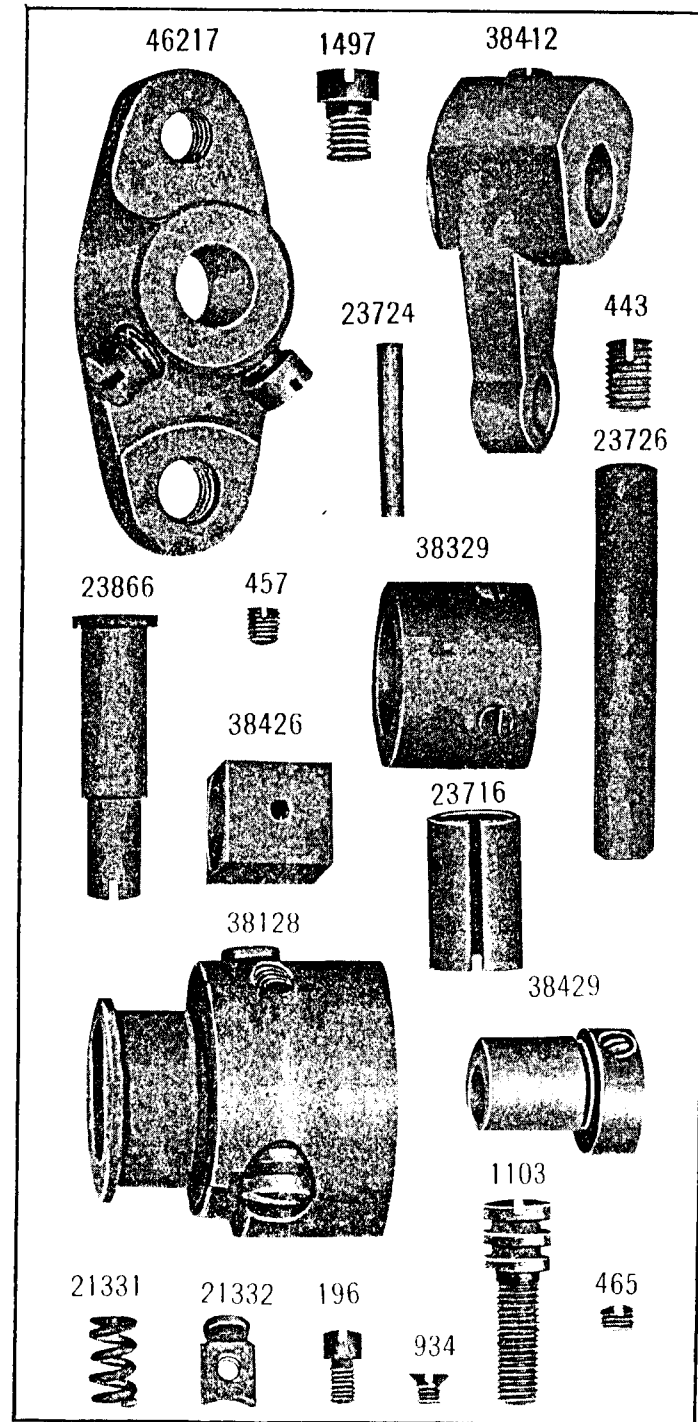


PLATE 6492—ONE-HALF SIZE

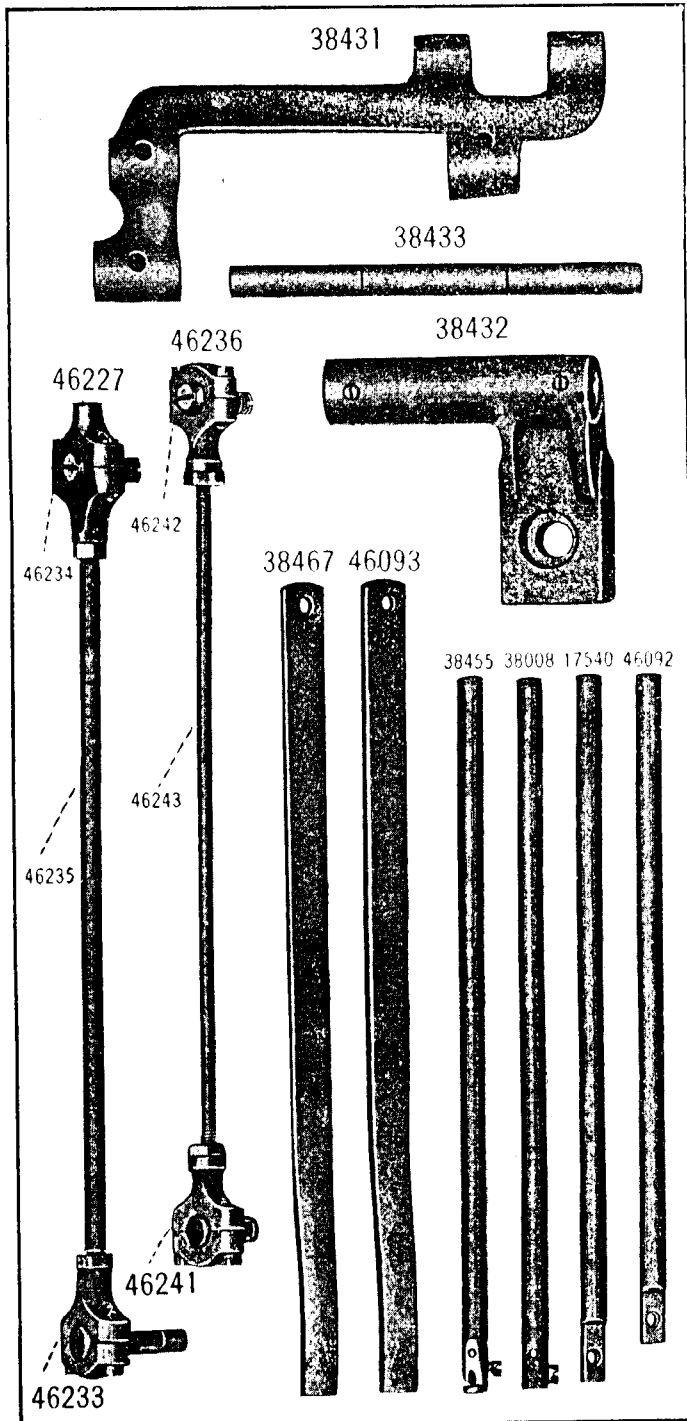


PLATE 6493—FULL SIZE

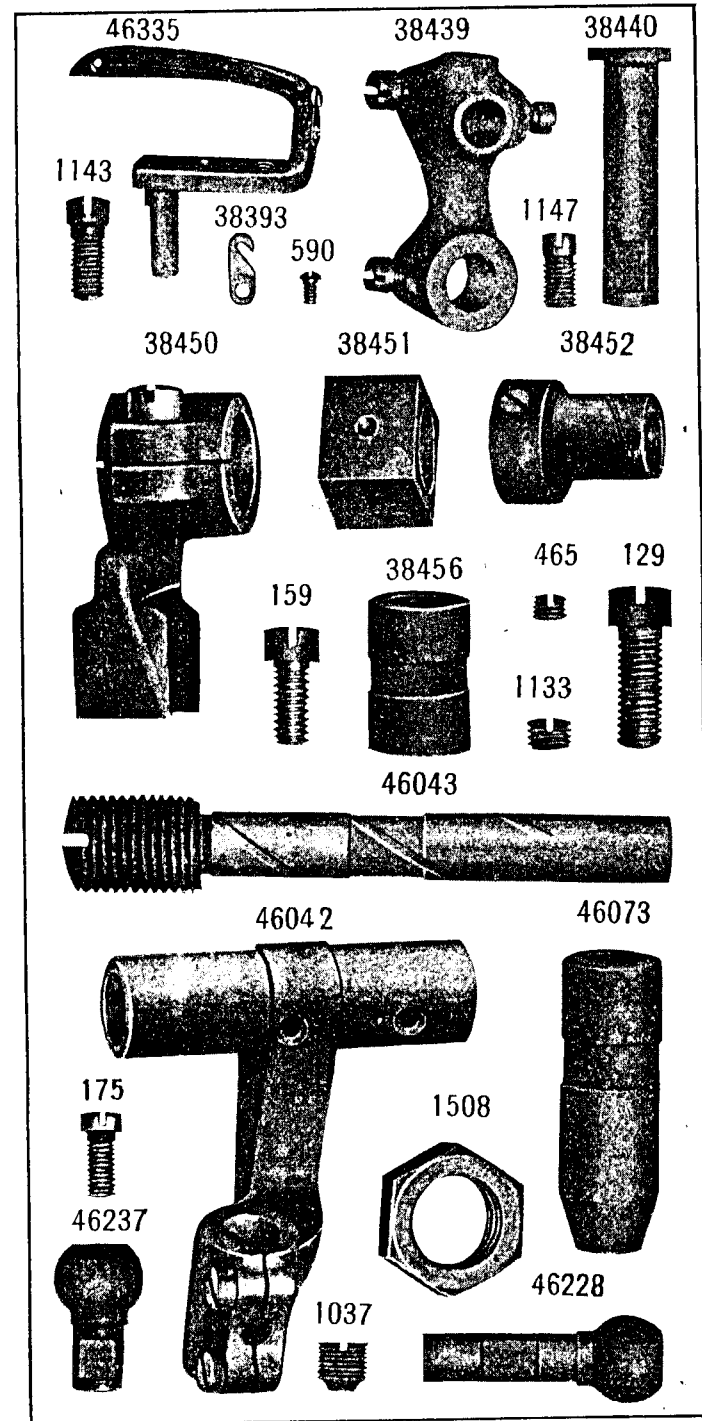


PLATE 6494—FULL SIZE

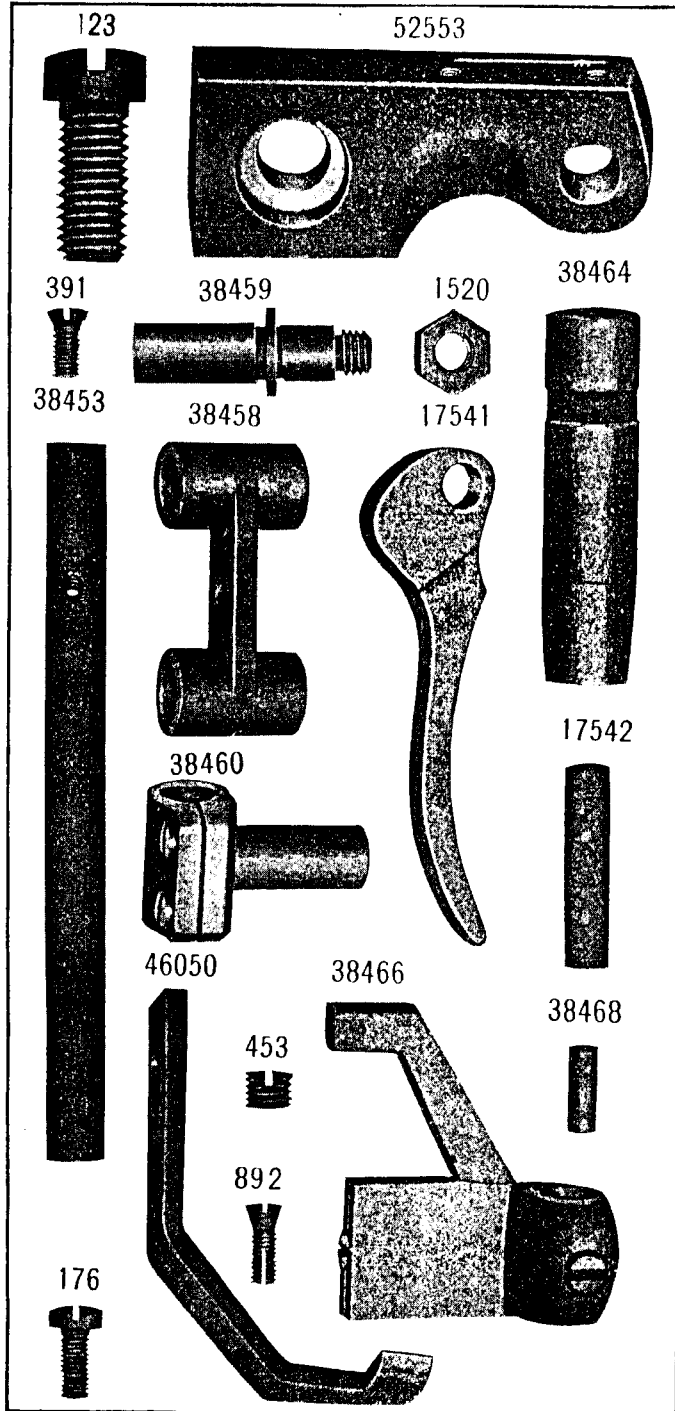


PLATE 6495—FULL SIZE

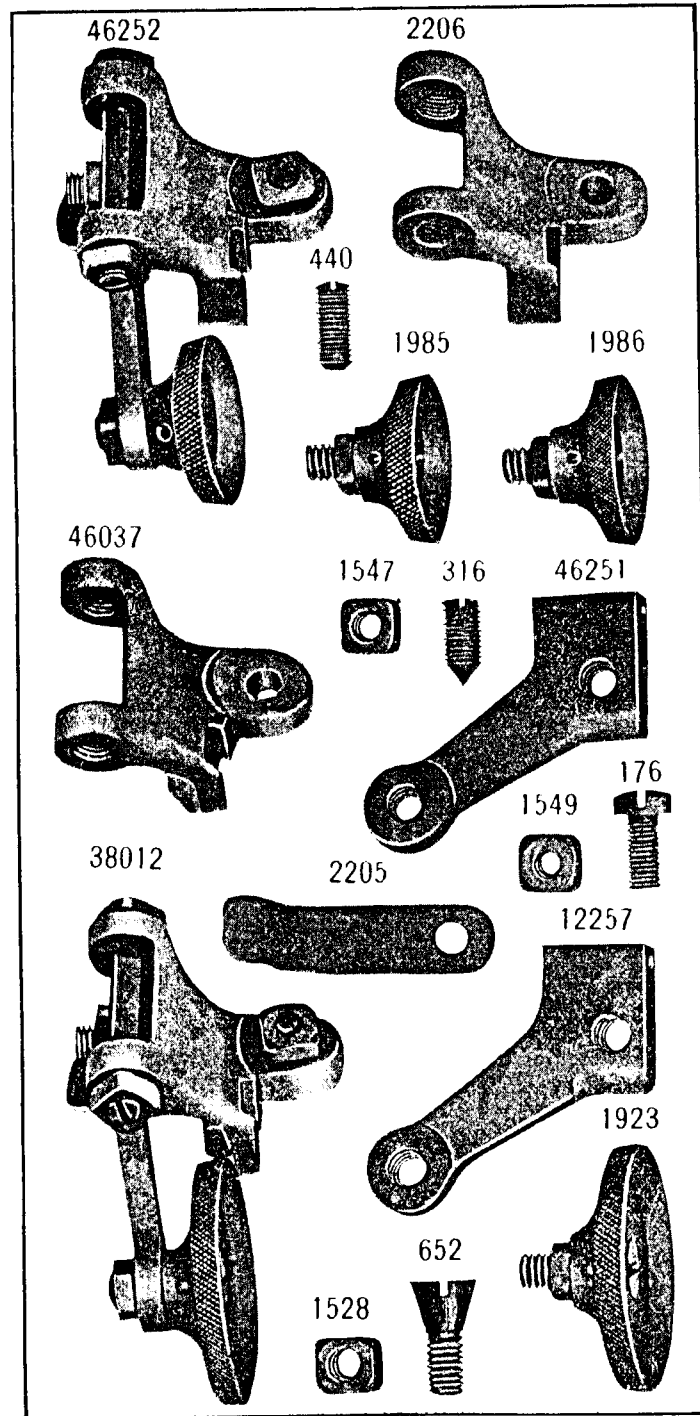


PLATE 6496—FULL SIZE

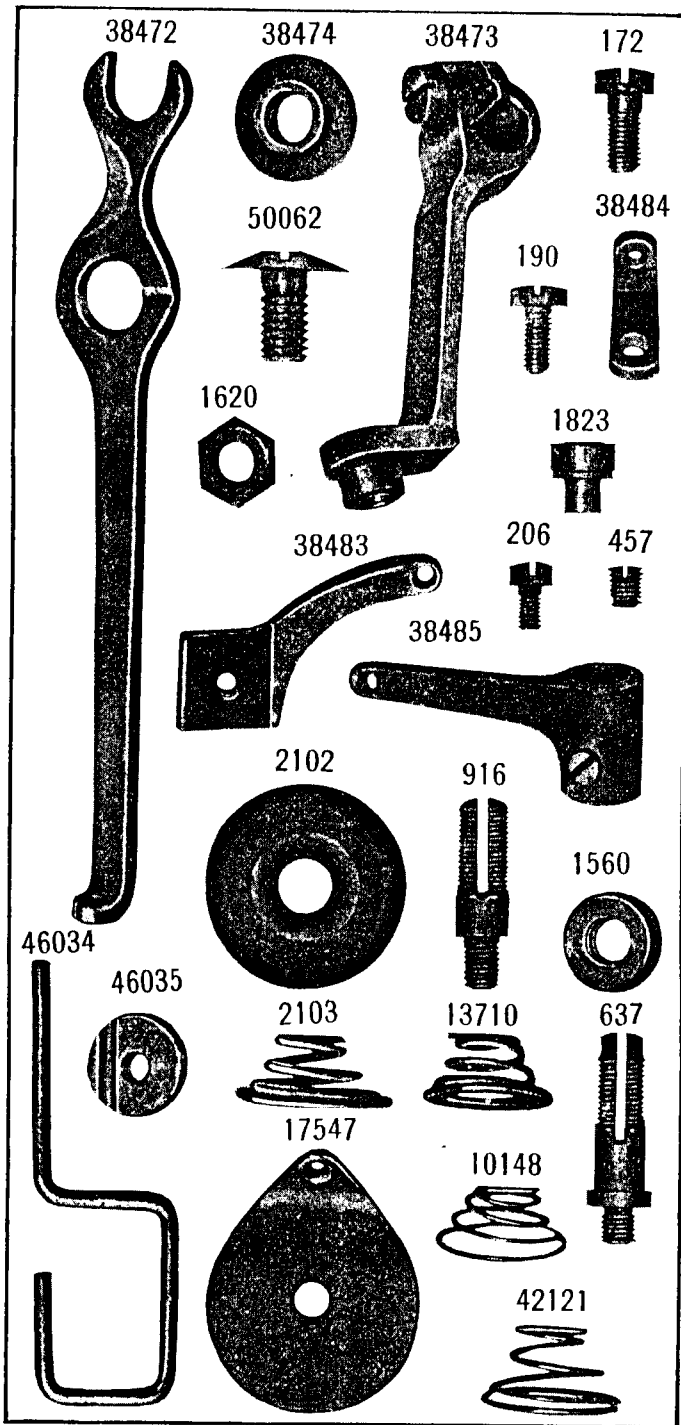


PLATE 6497—FULL SIZE

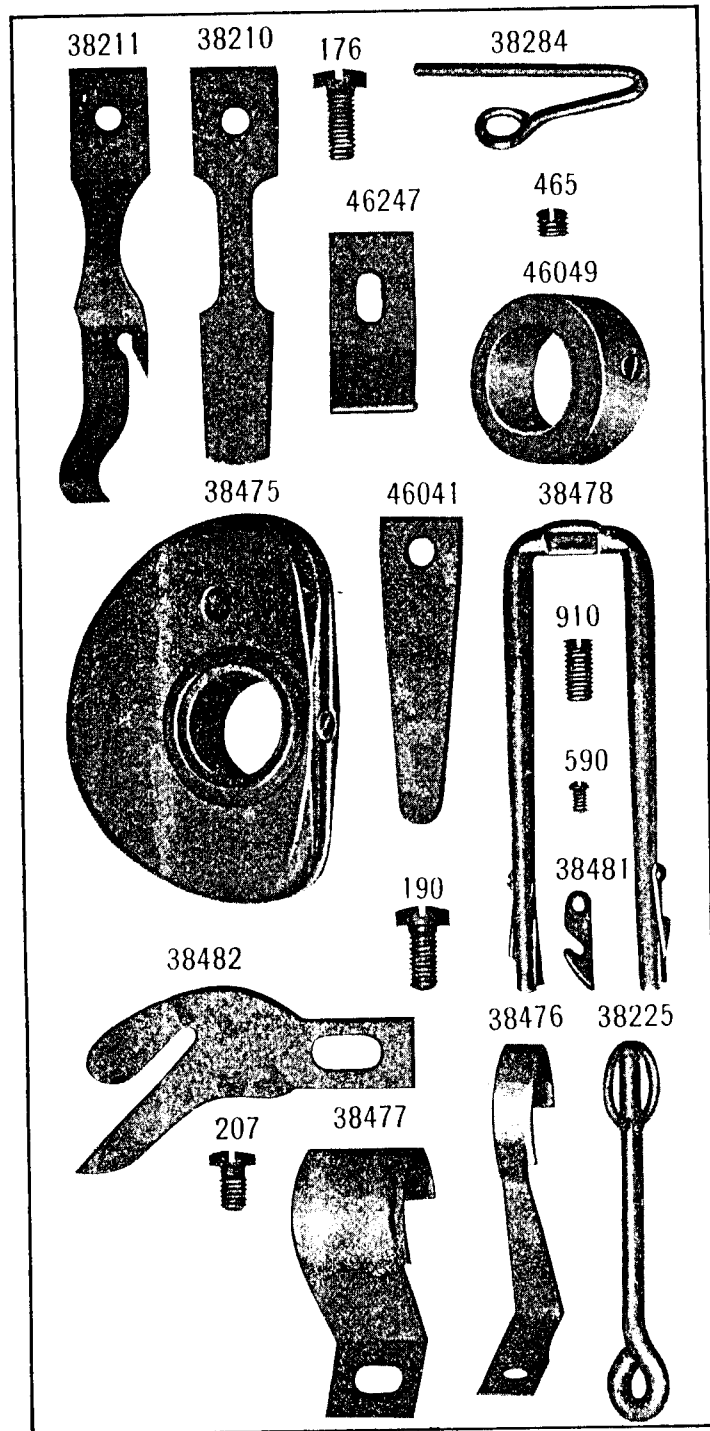


PLATE 6498—ONE-HALF SIZE

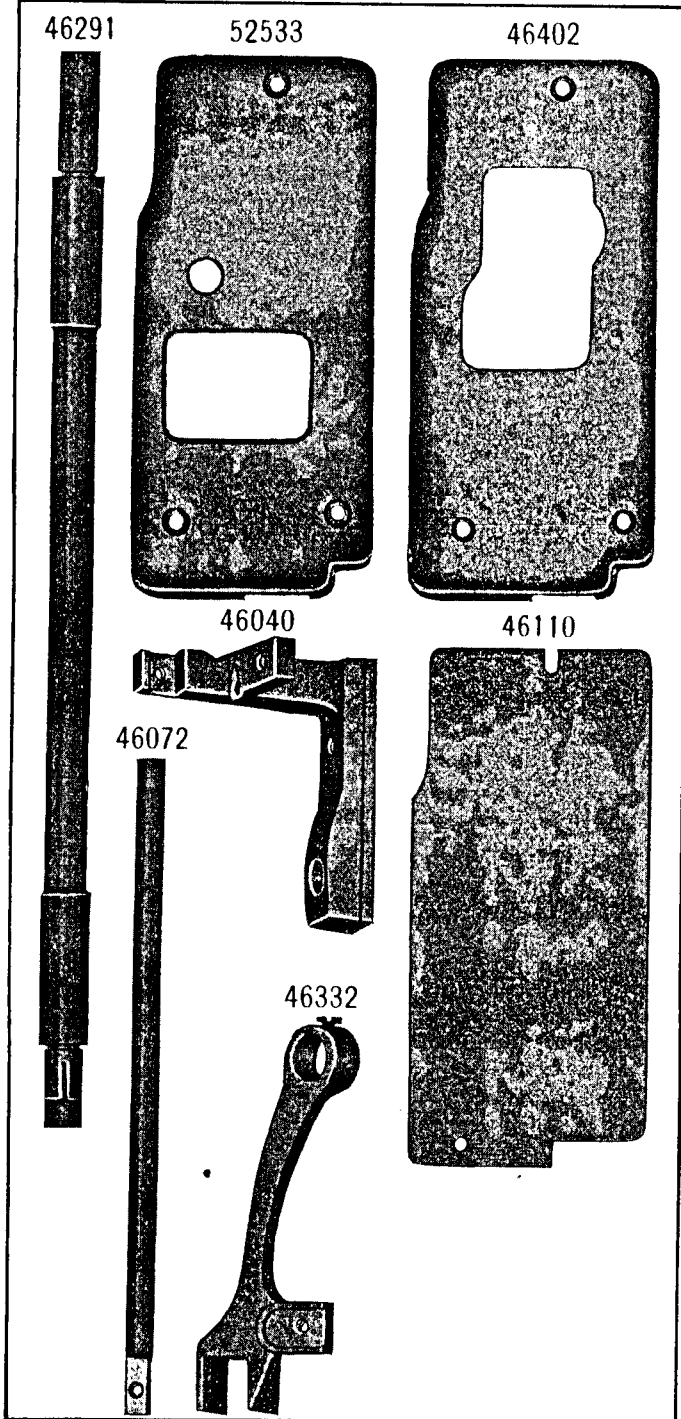


PLATE 6499—FULL SIZE

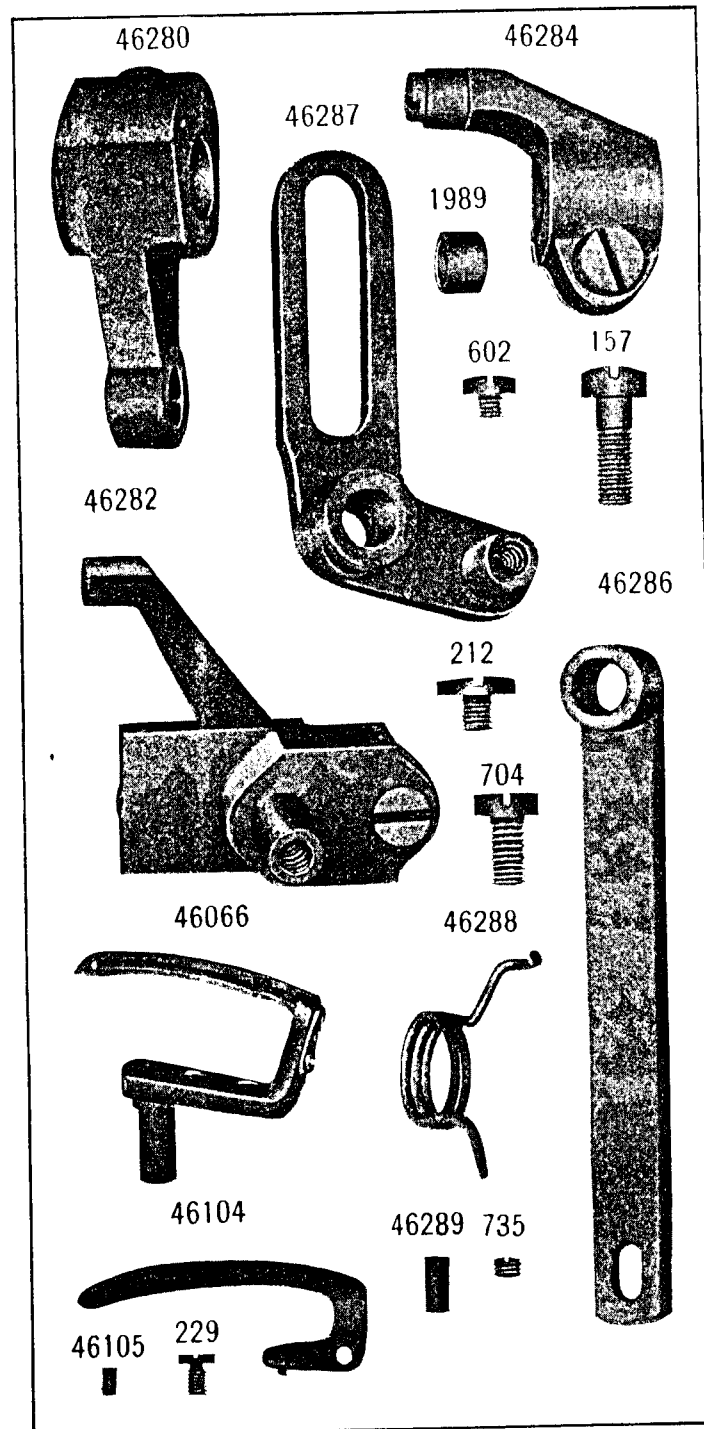


PLATE 6500—FULL SIZE

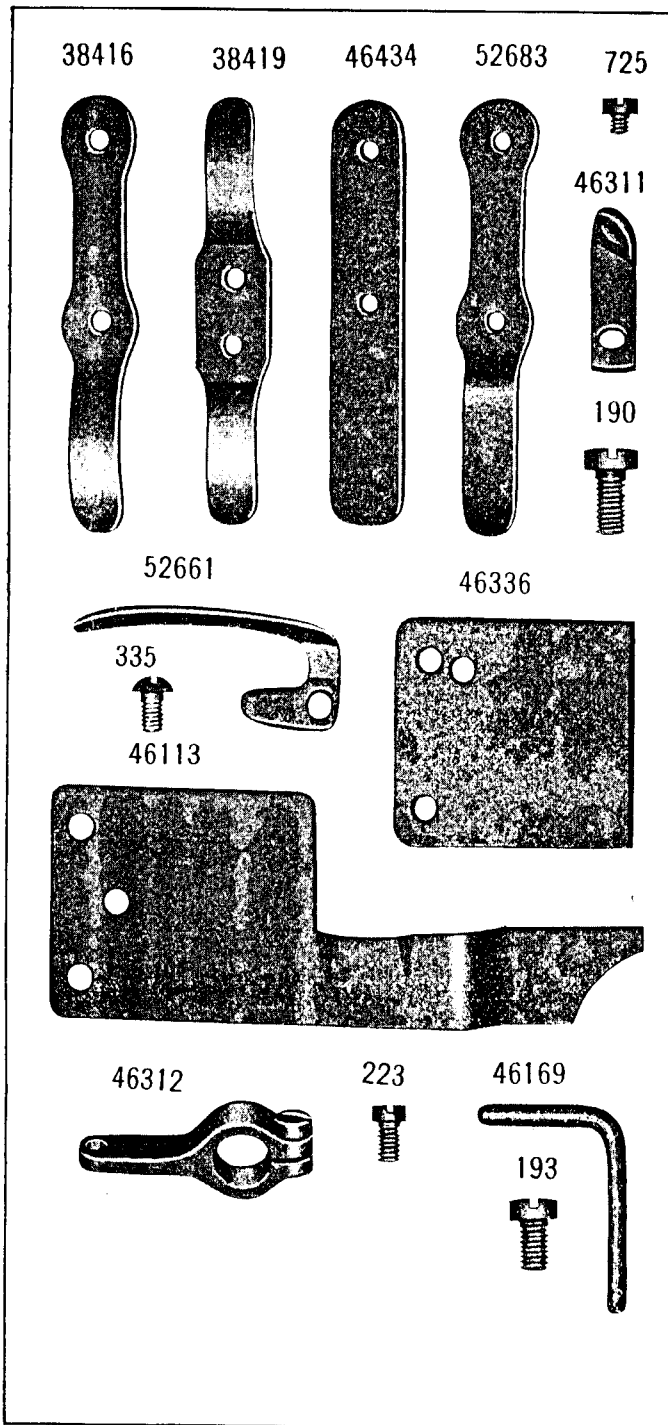


PLATE 6501—ONE-HALF SIZE

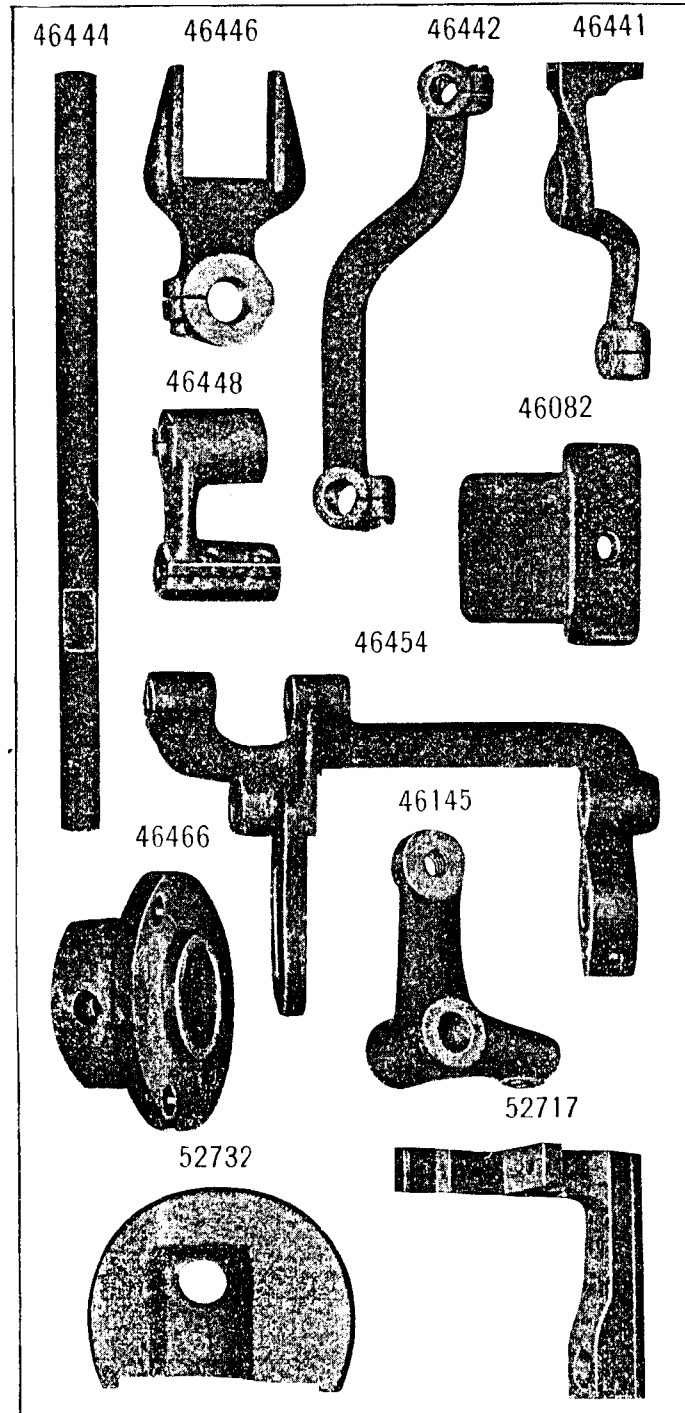




PLATE 6502—FULL SIZE

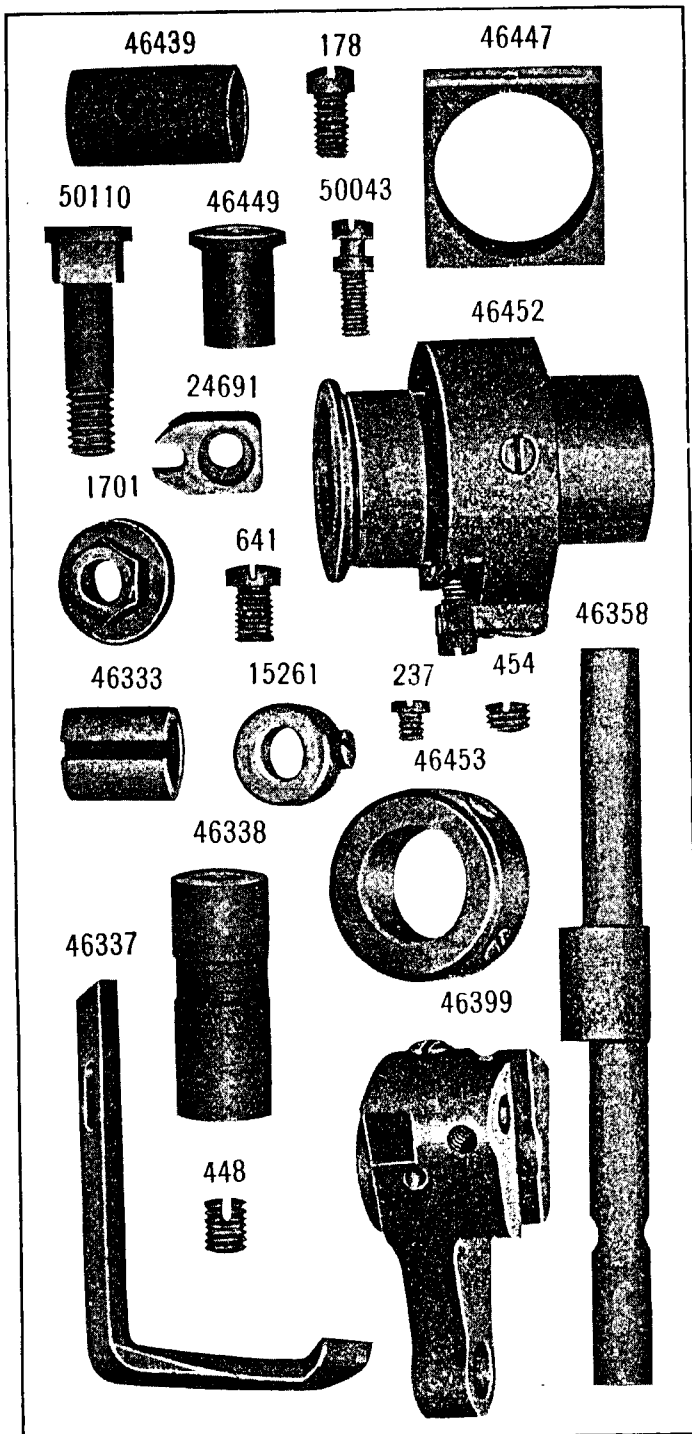


PLATE 6503—FULL SIZE

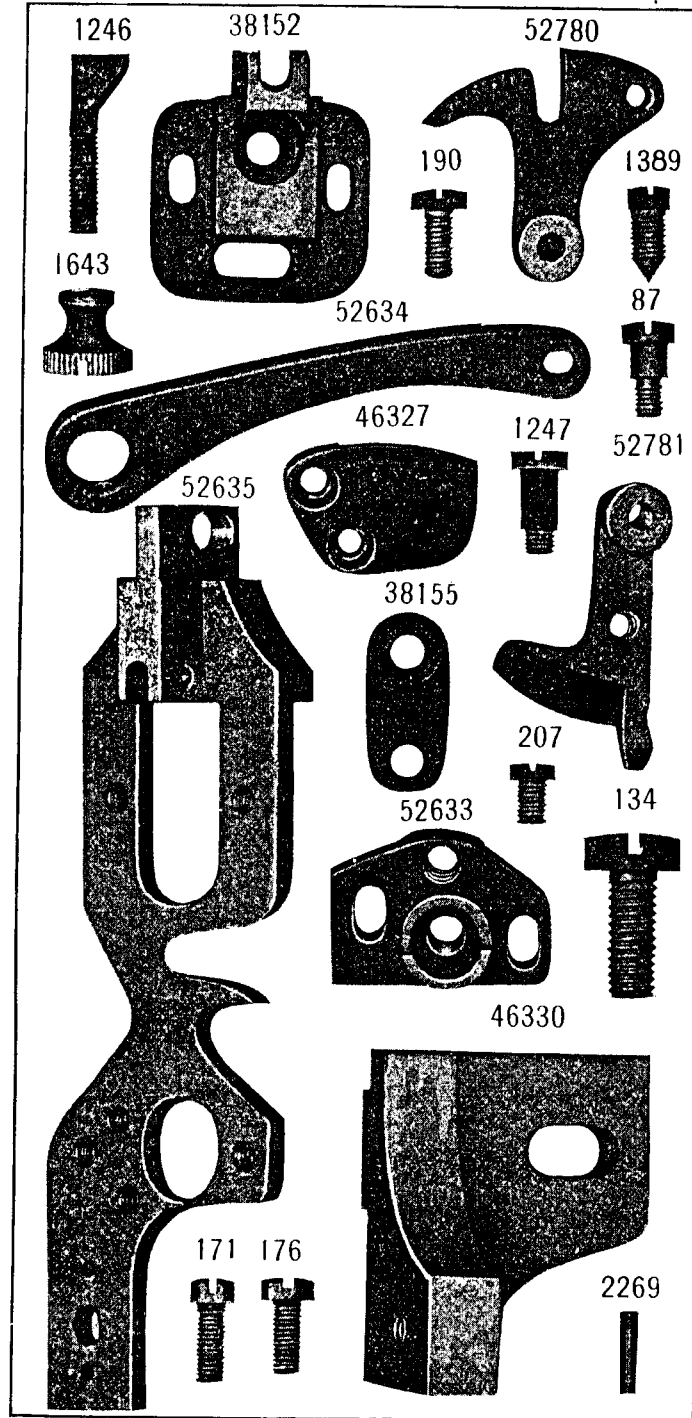


PLATE 6504—FULL SIZE

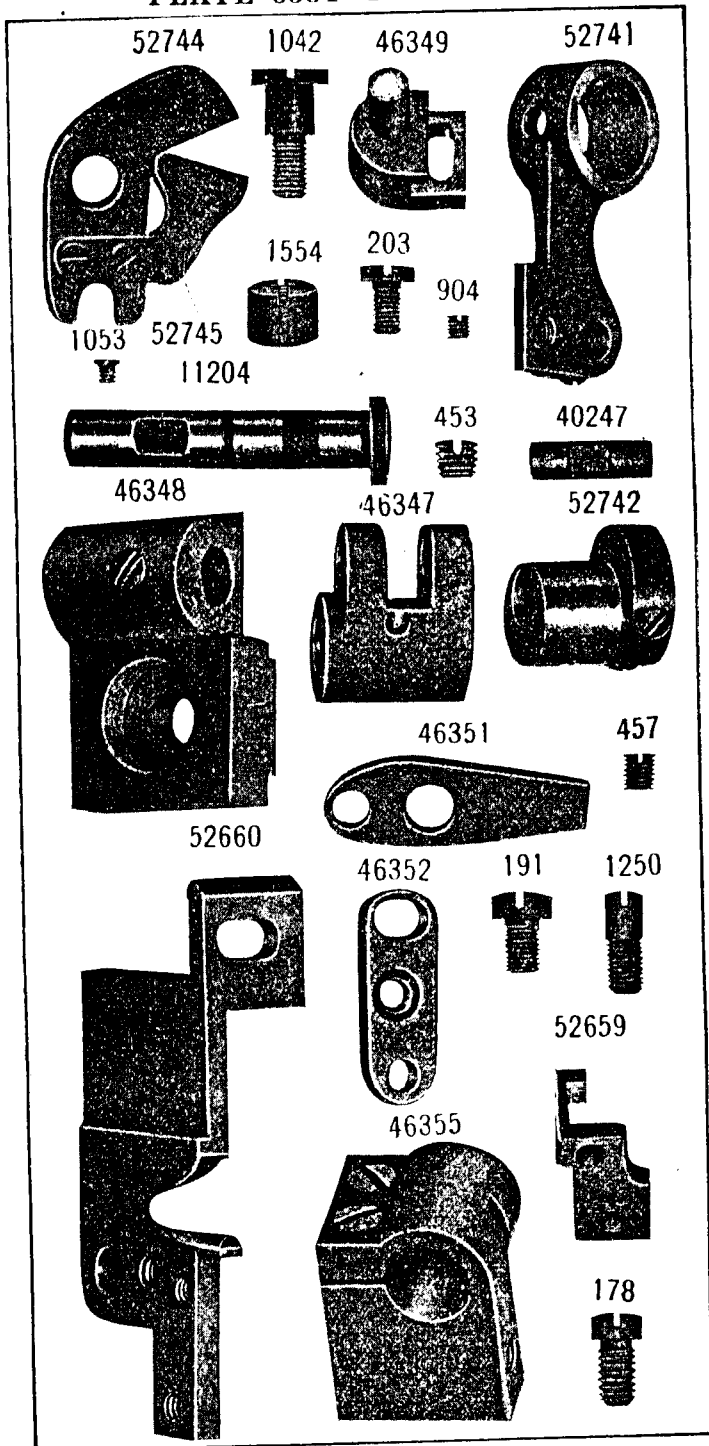


PLATE 6505—FULL SIZE

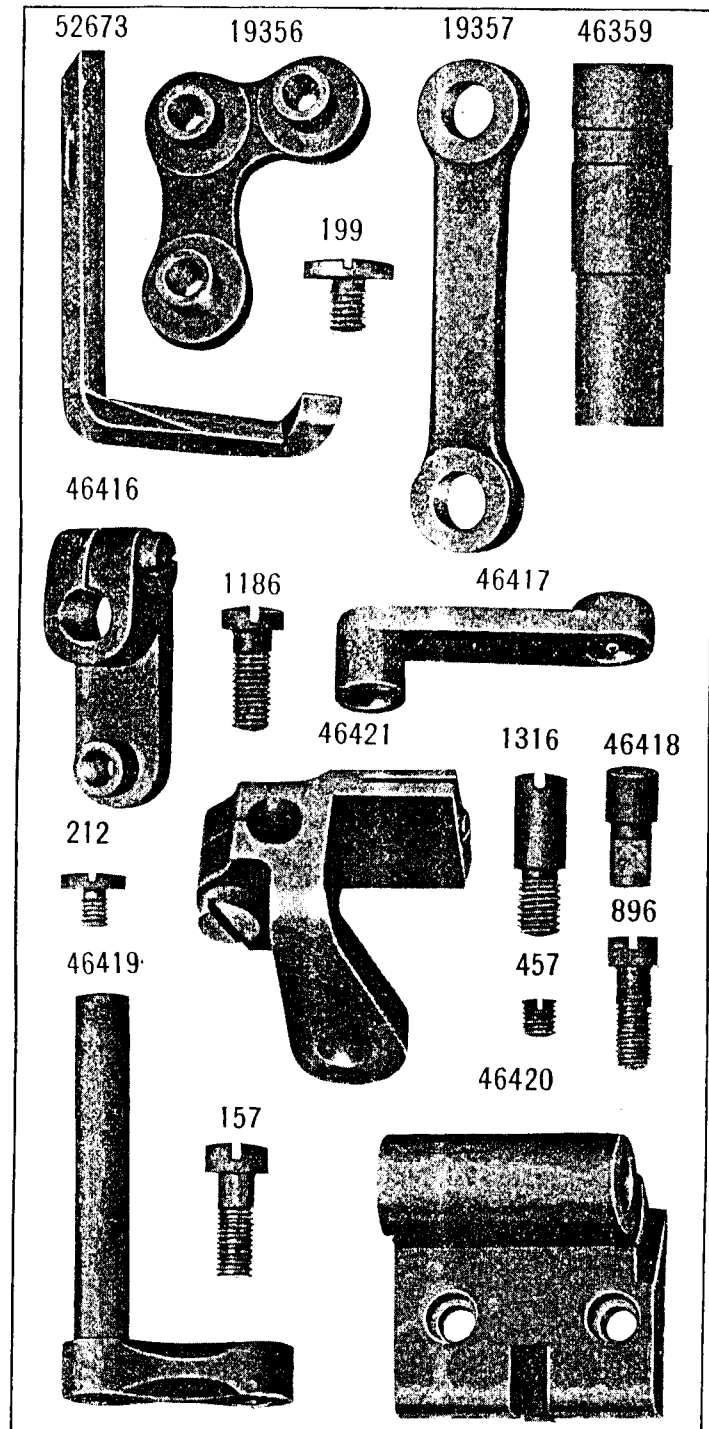




PLATE 6506—FULL SIZE

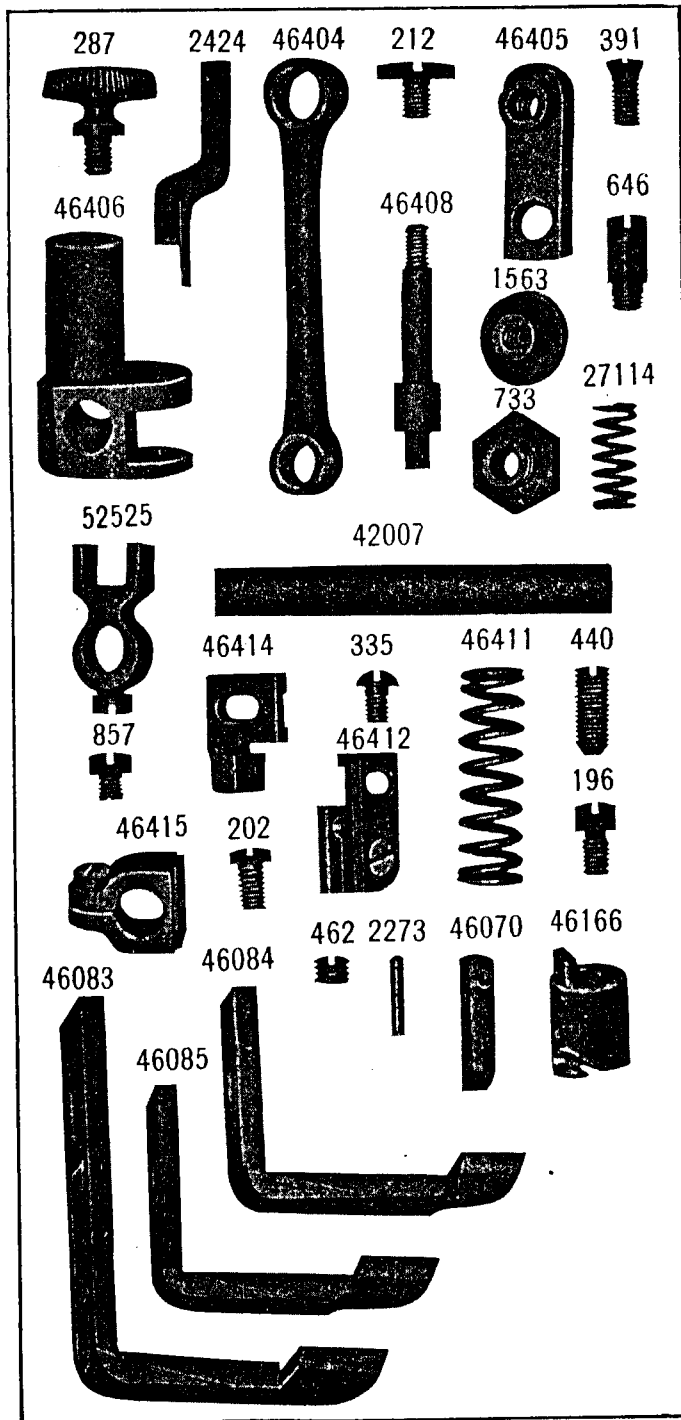


PLATE 6507—ONE-HALF SIZE

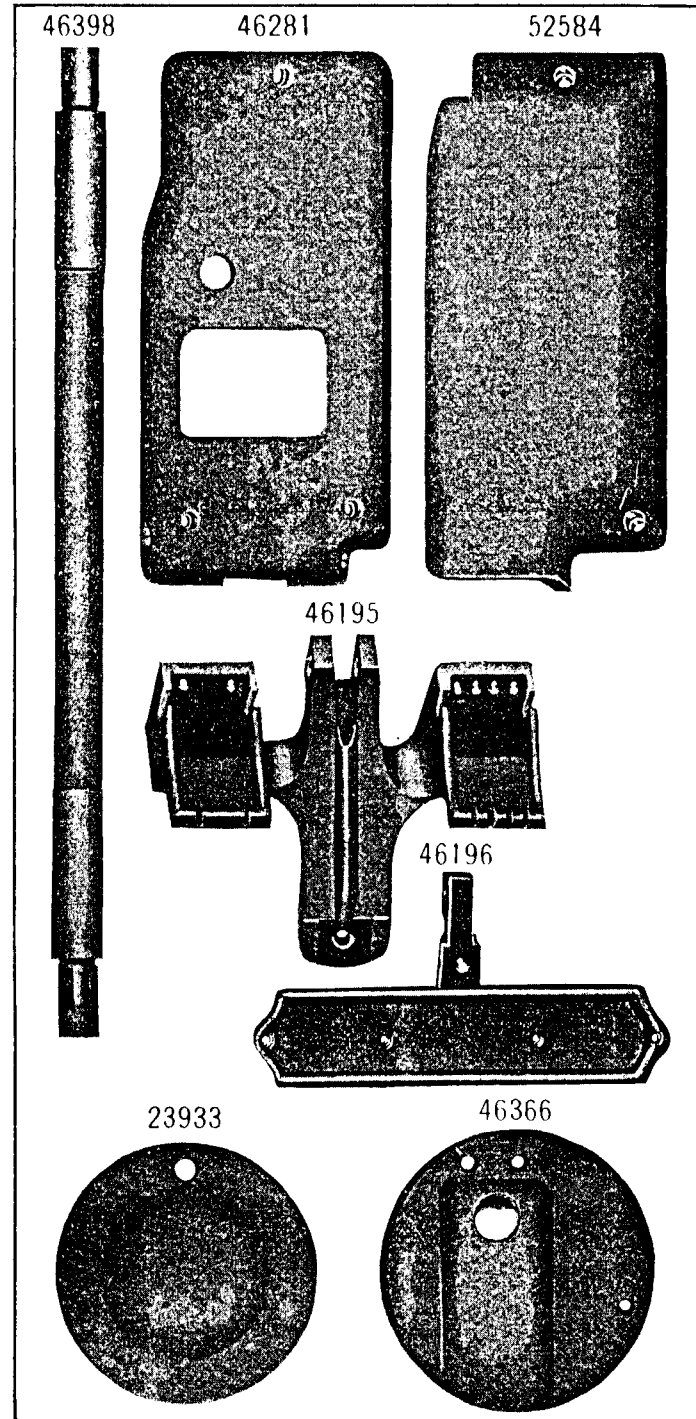
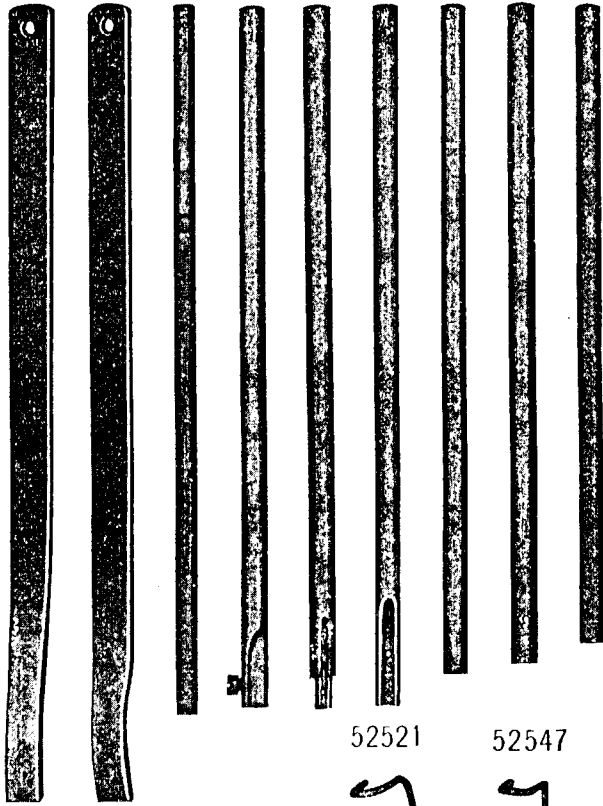
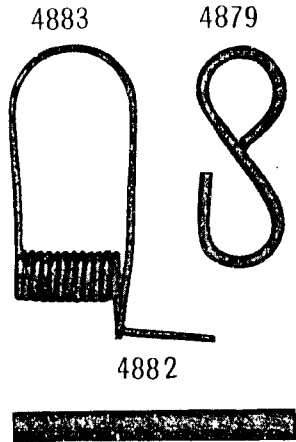


PLATE 6508—ONE-HALF SIZE

46125 46422 46403 38093 46292 46067 46051 23793 46150



52521 52547



4883

4879

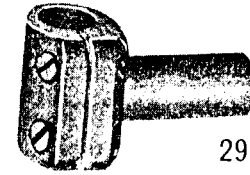
4882

PLATE 6509—FULL SIZE

46424

46425

46427



29086

391 46428 316



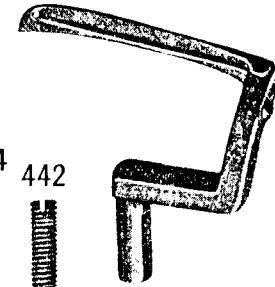
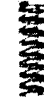
52543

52536



52544

442



52537

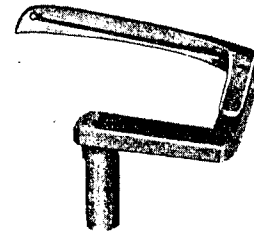


PLATE 6510—FULL SIZE

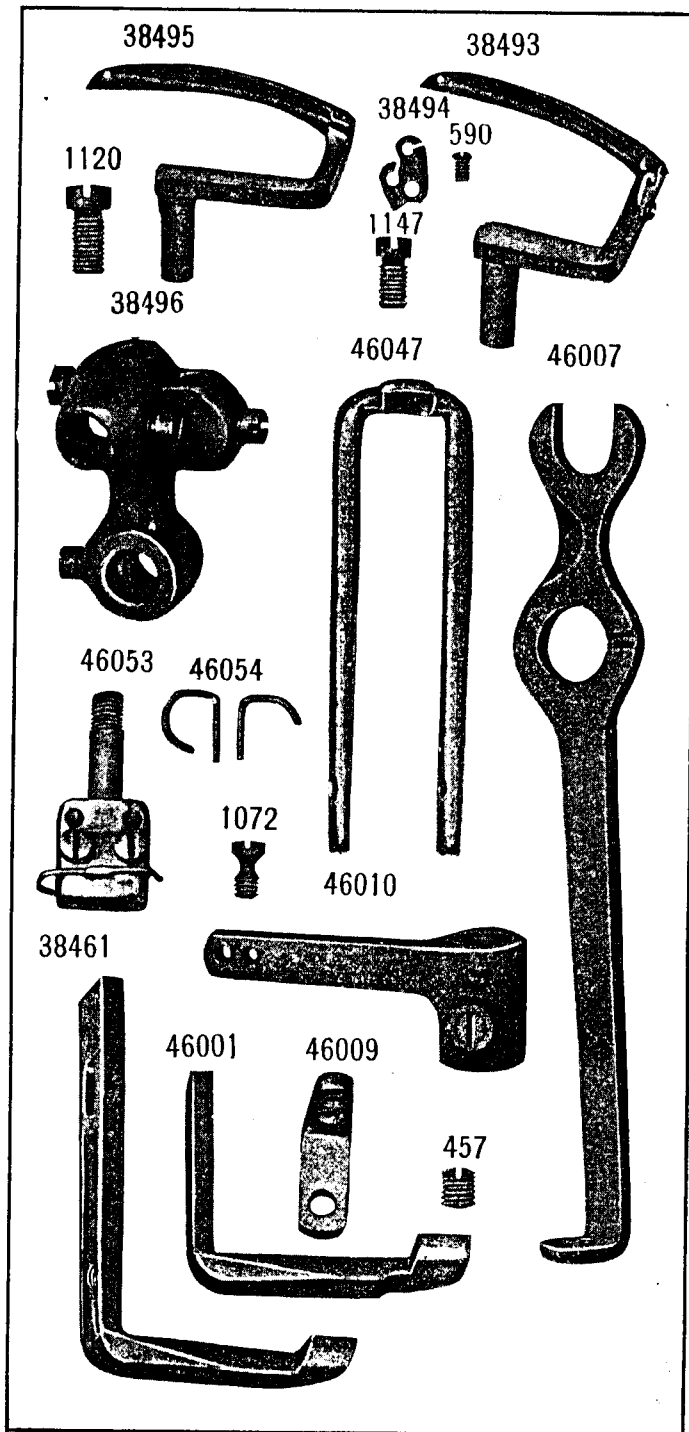


PLATE 6511—FULL SIZE

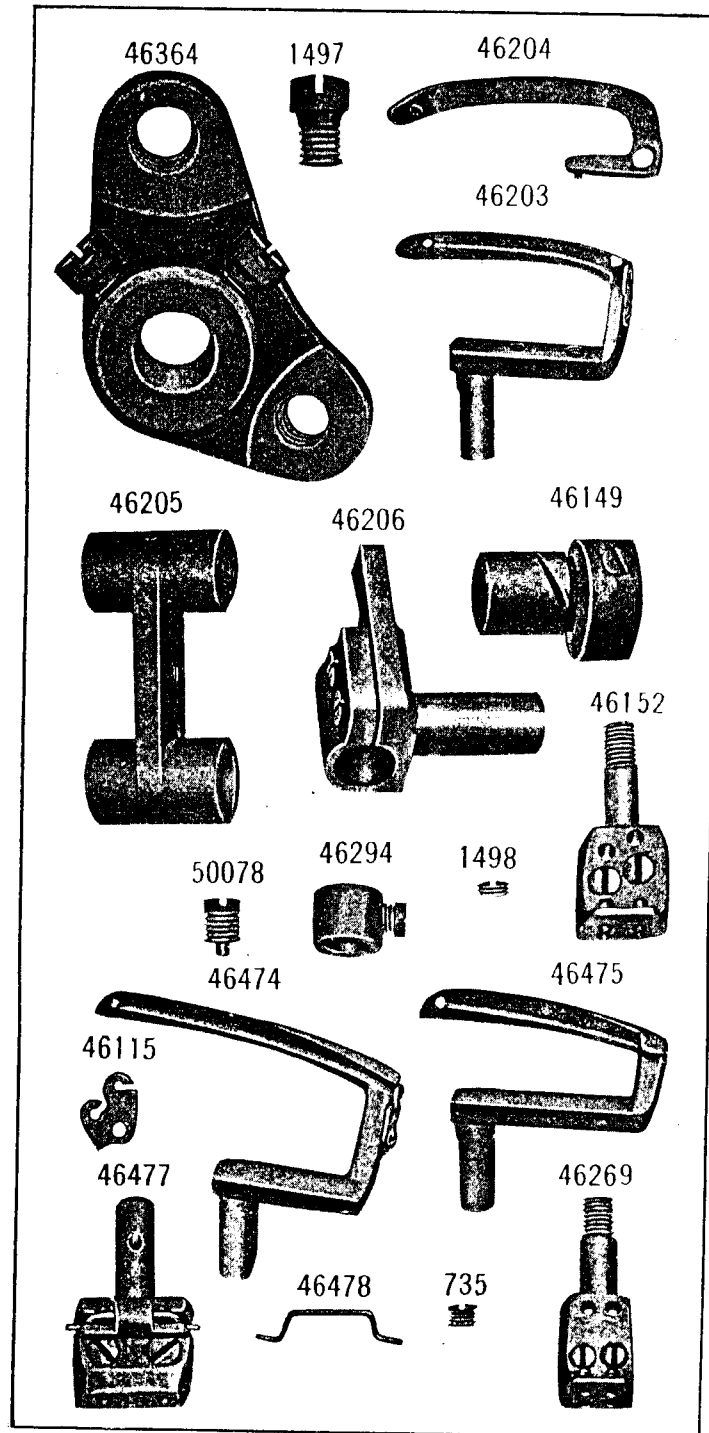


PLATE 6512—ONE-HALF SIZE

52593 46371 46314 46101 52620 46367

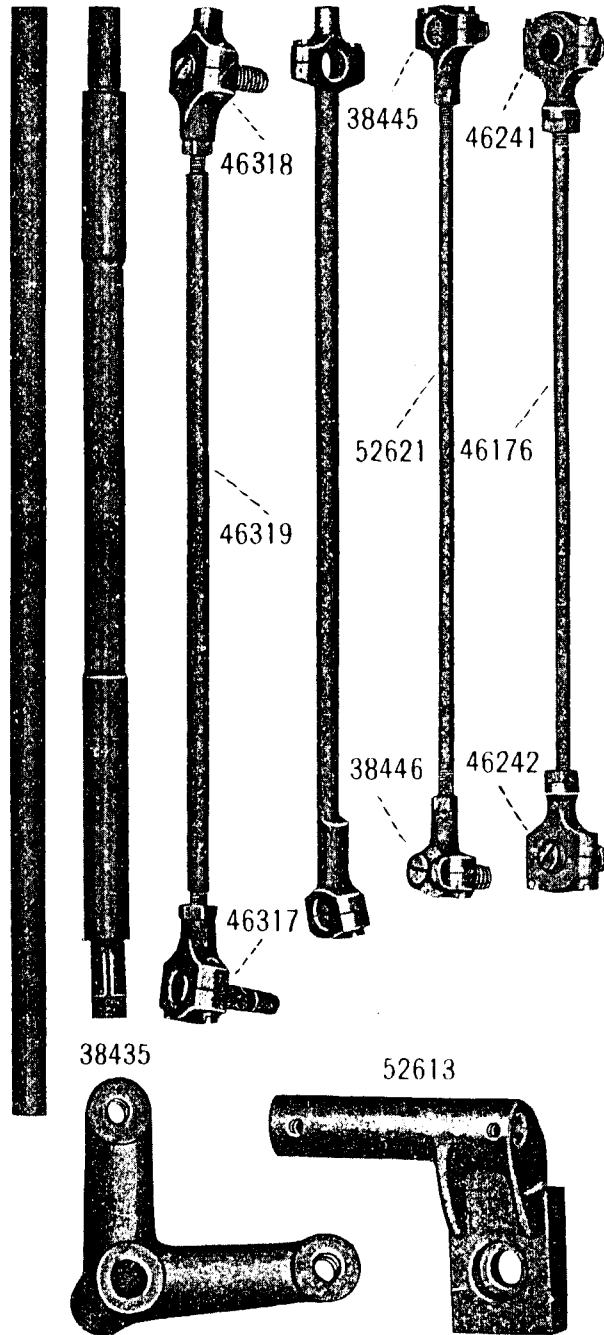


PLATE 6513—FULL SIZE

46210 465 46208 46211

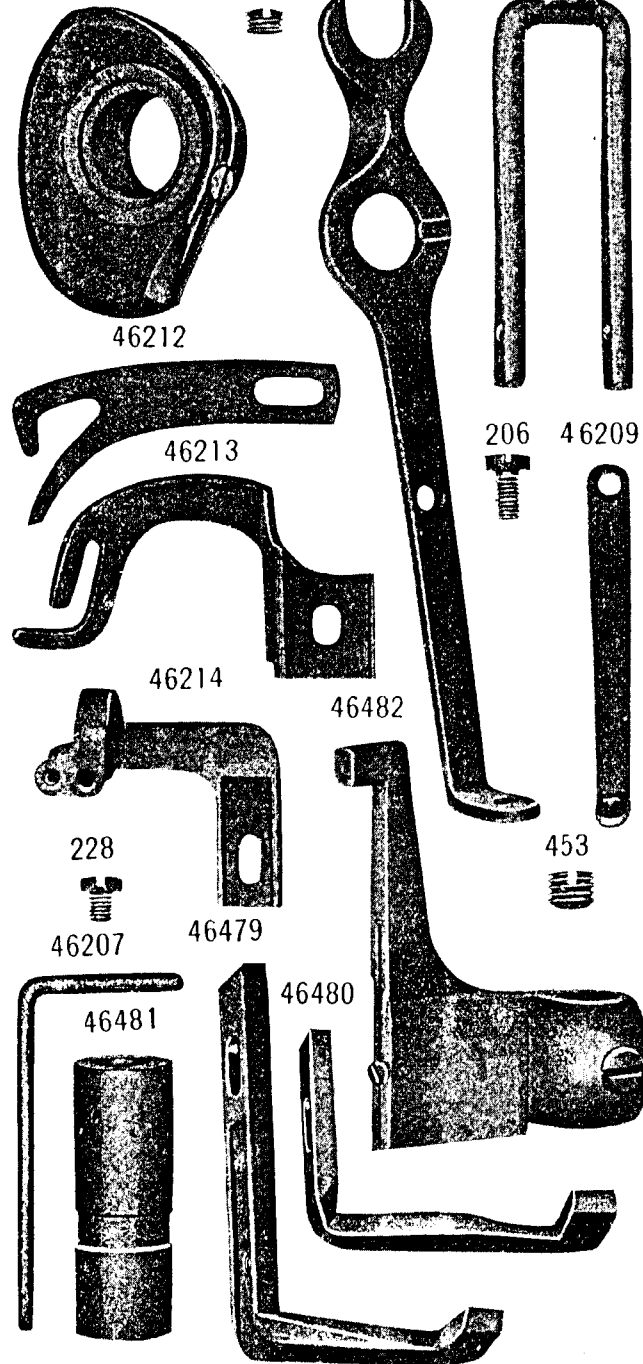


PLATE 6514—ONE-HALF SIZE

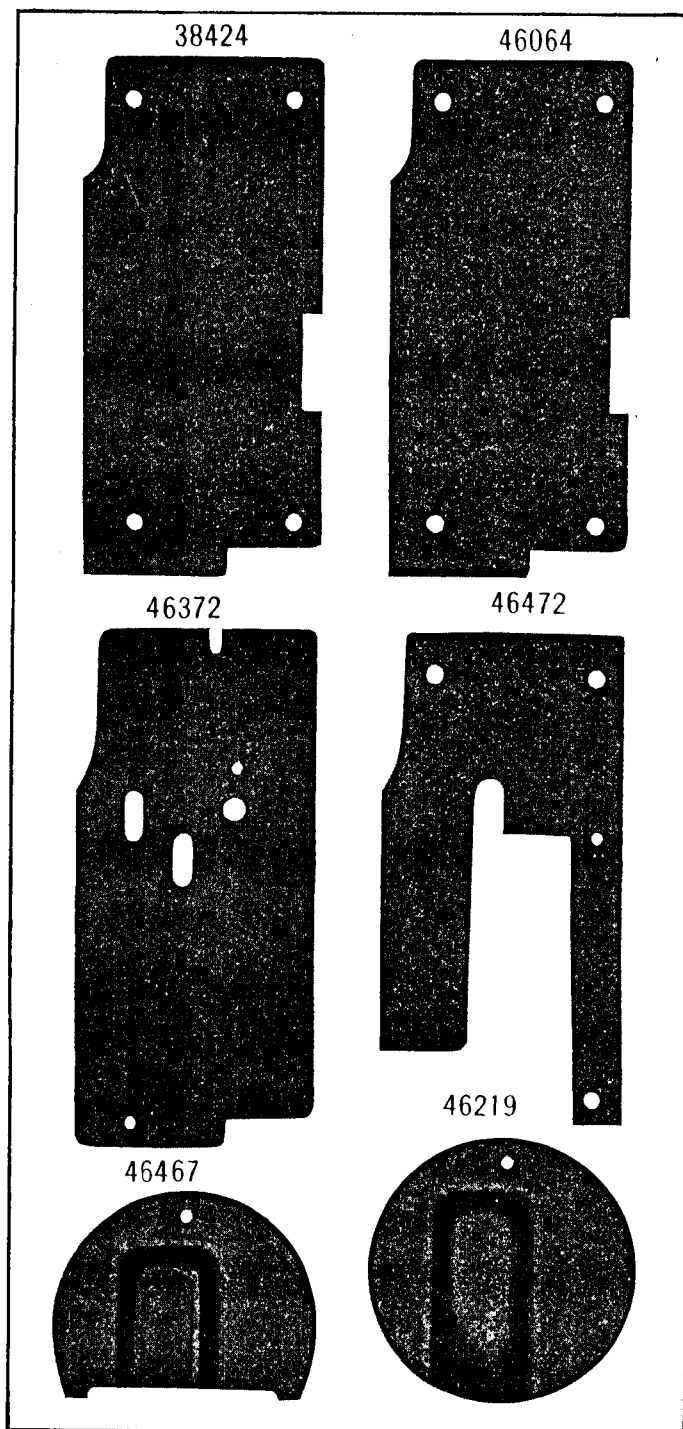


PLATE 6515—FULL SIZE

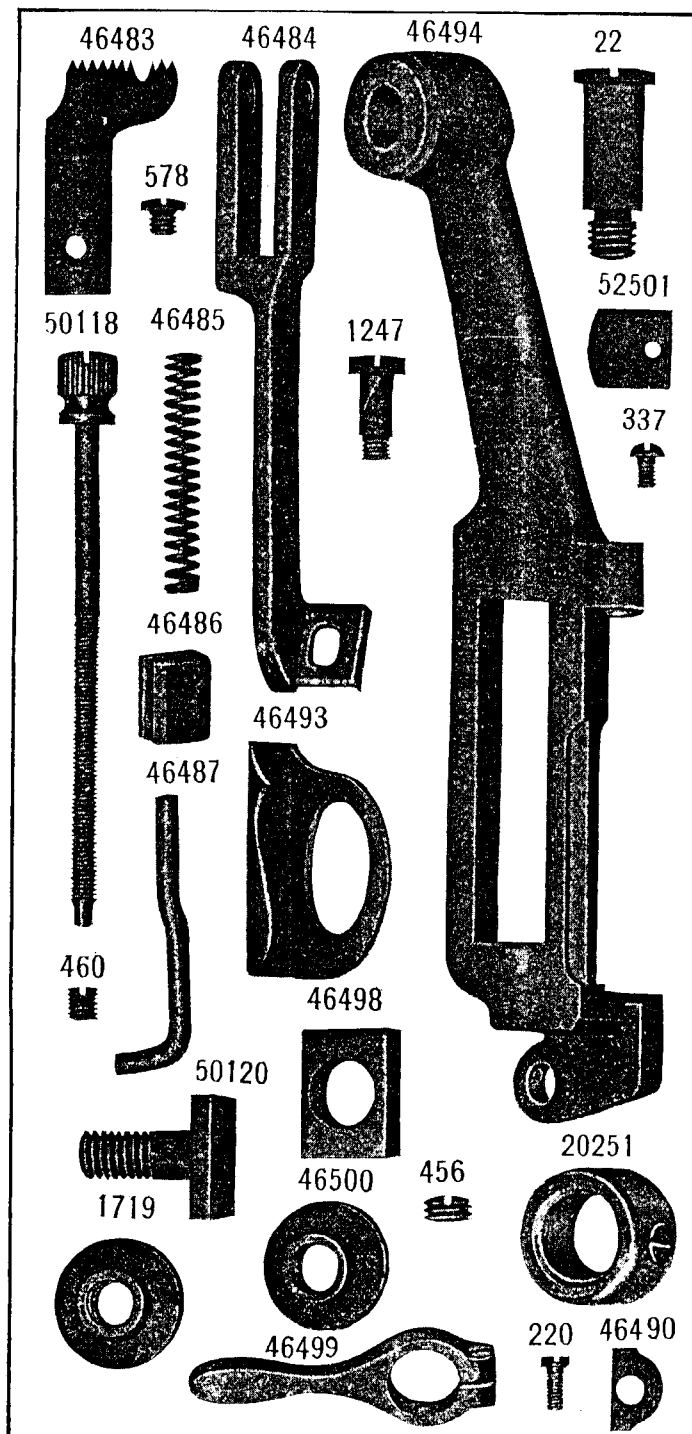


PLATE 6516—FULL SIZE

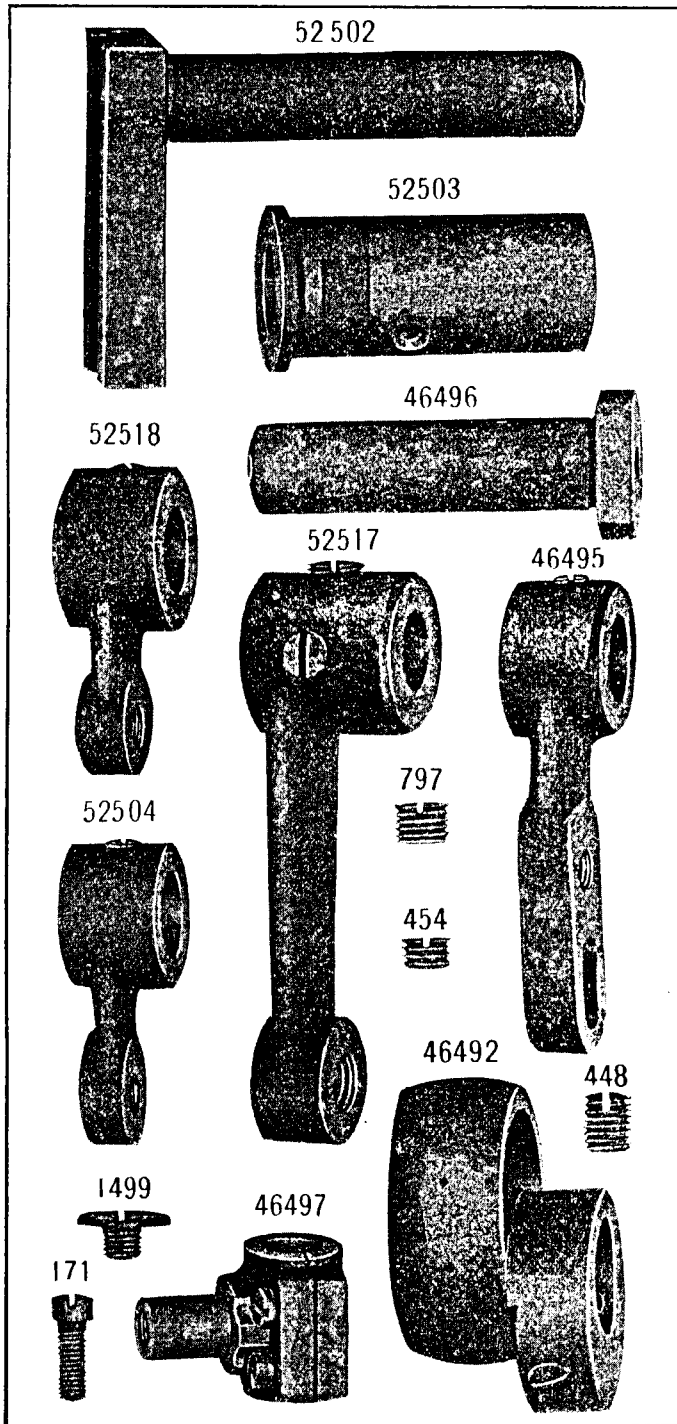


PLATE 6517—ONE-HALF SIZE

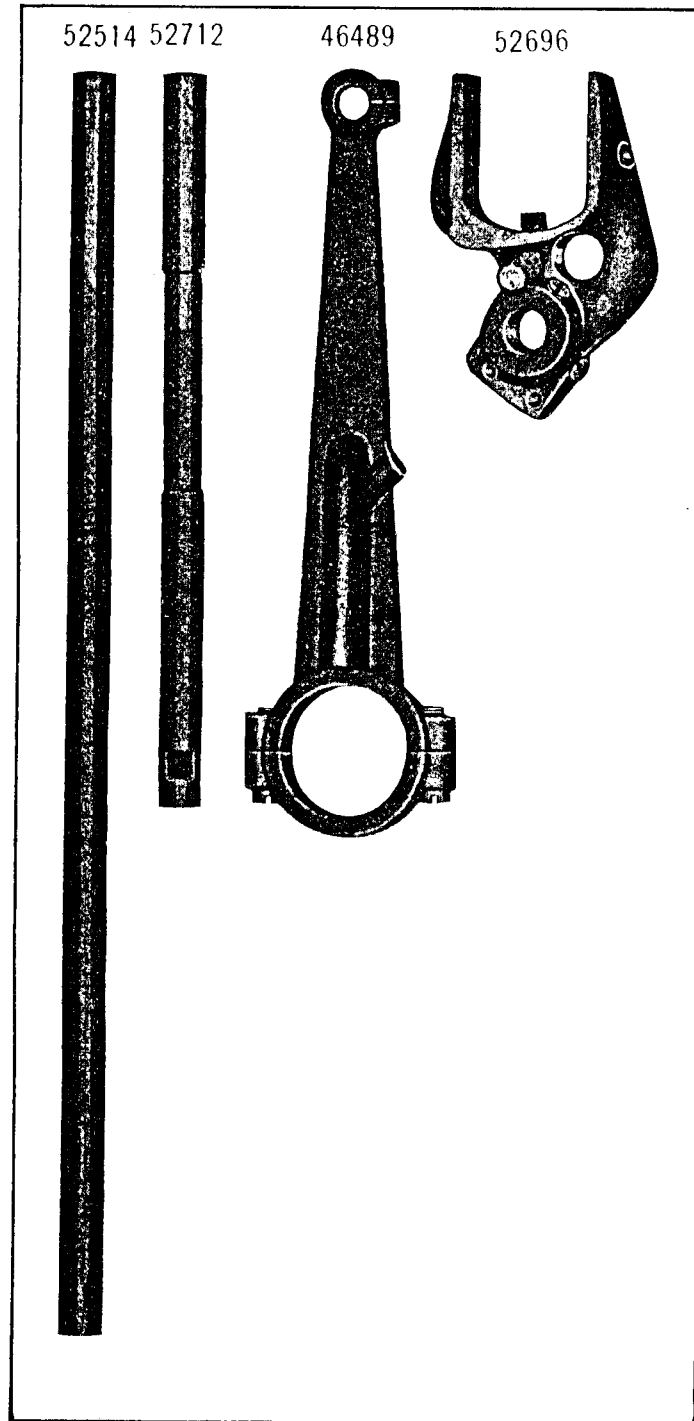




PLATE 6518—FULL SIZE

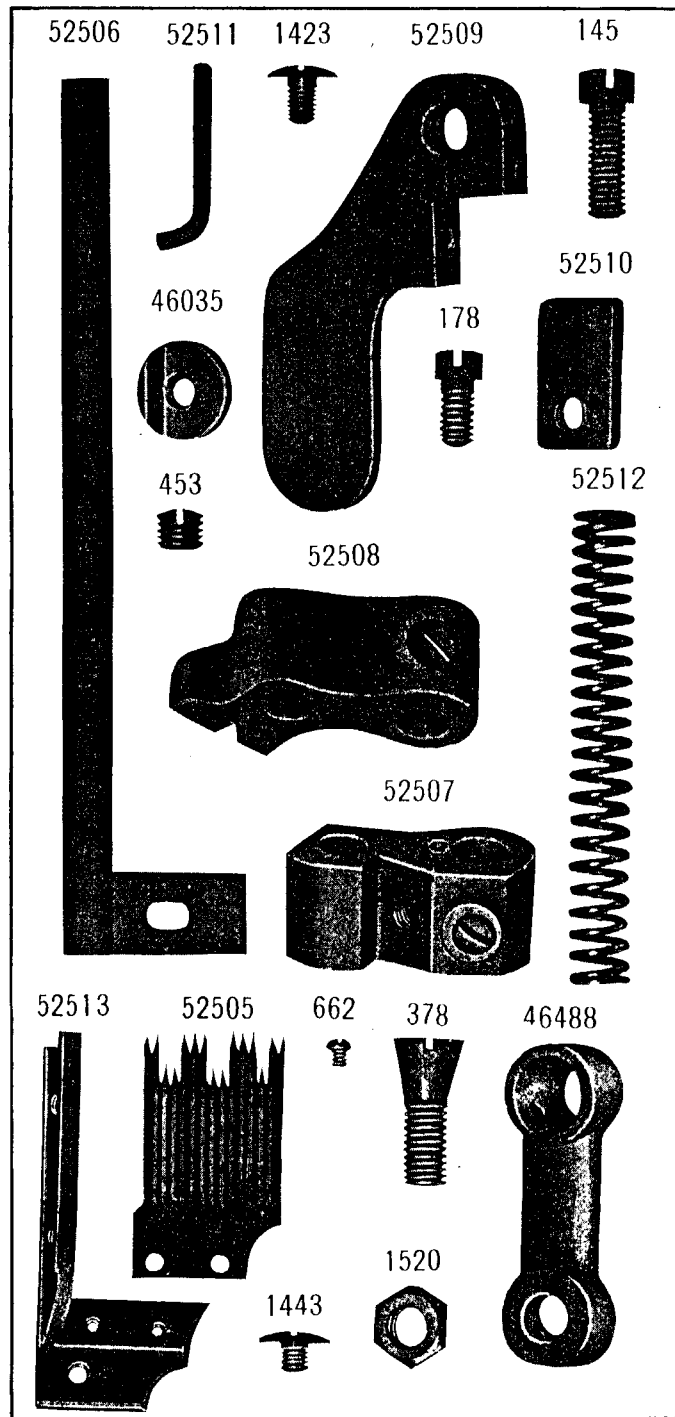


PLATE 6519—FULL SIZE

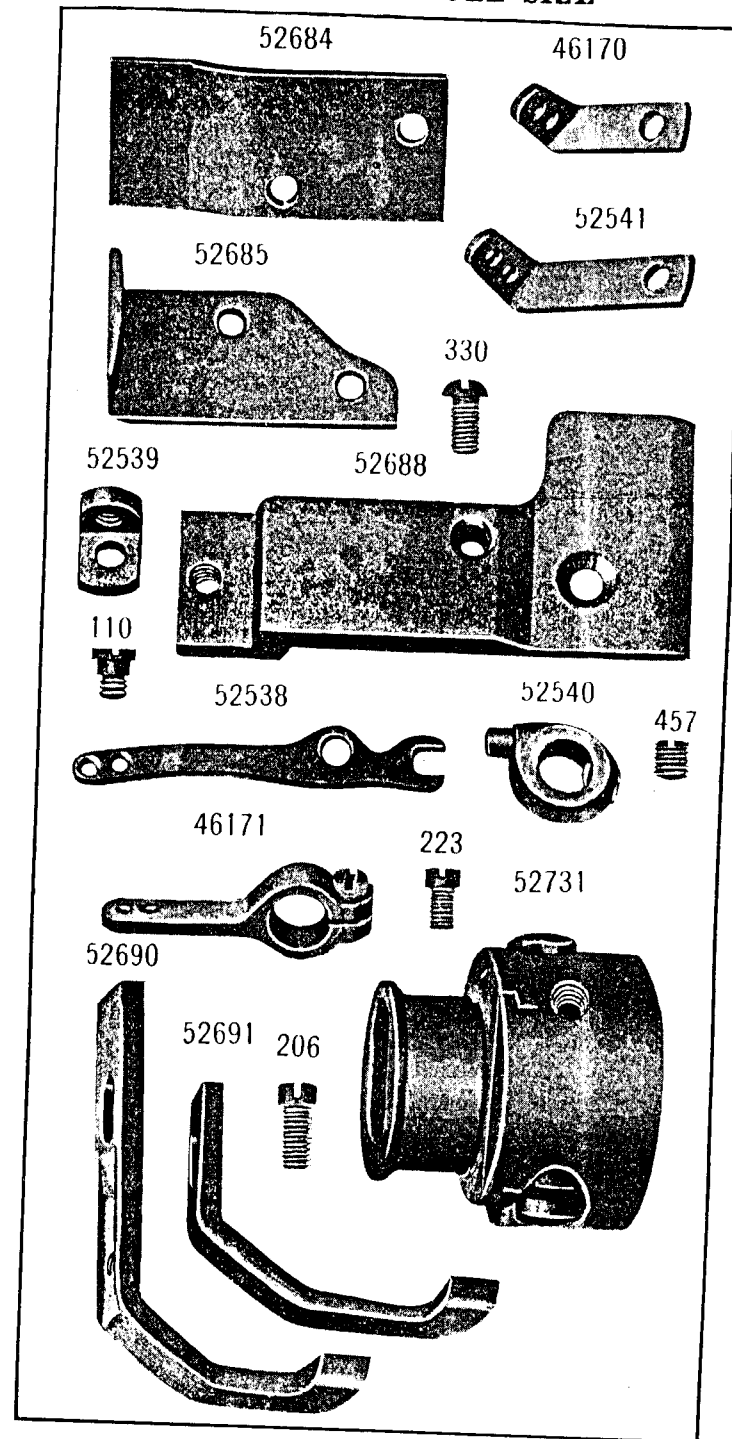


PLATE 6520—FULL SIZE

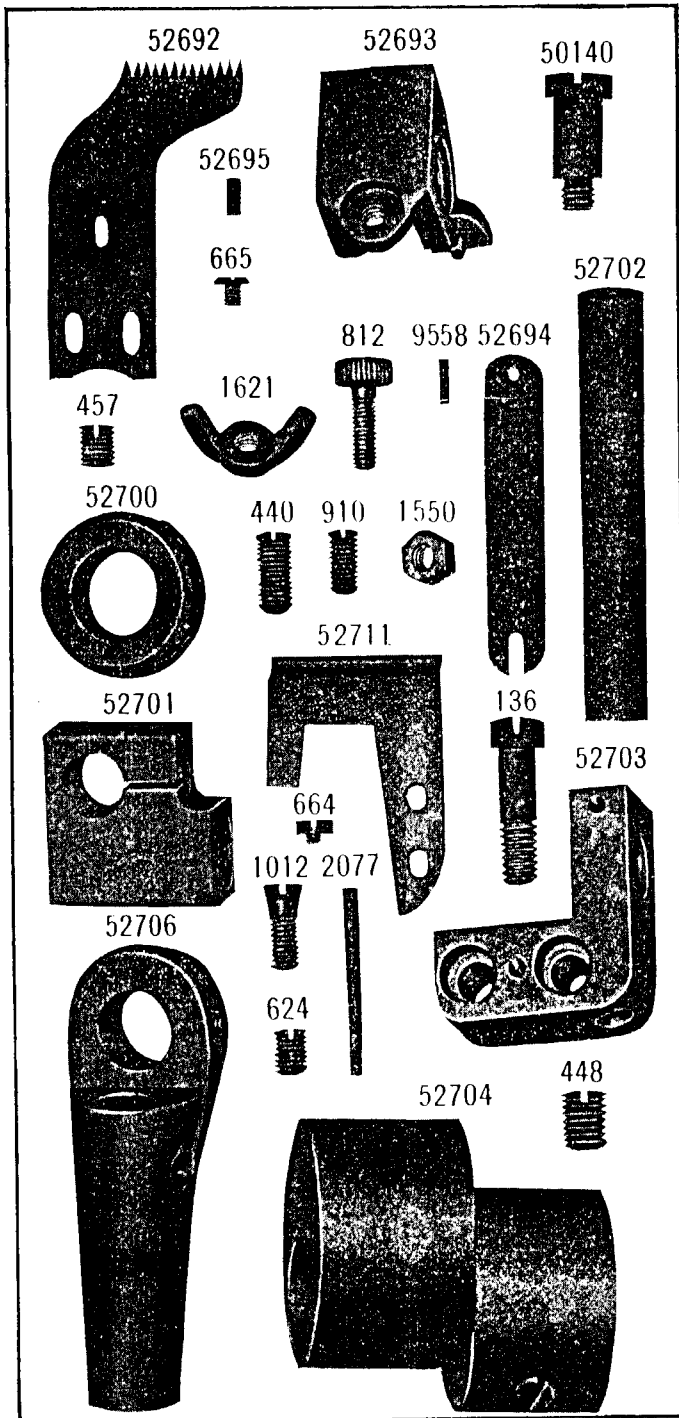


PLATE 6521—FULL SIZE

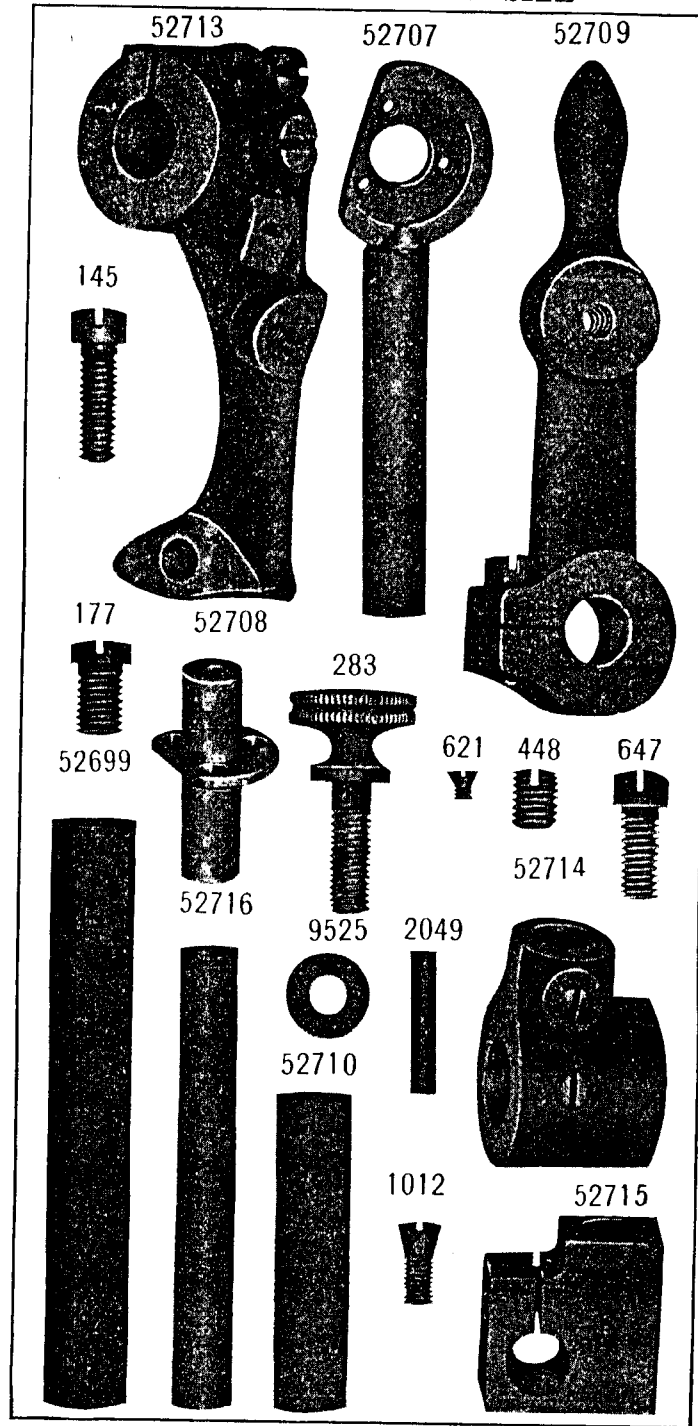




PLATE 6522-FULL SIZE

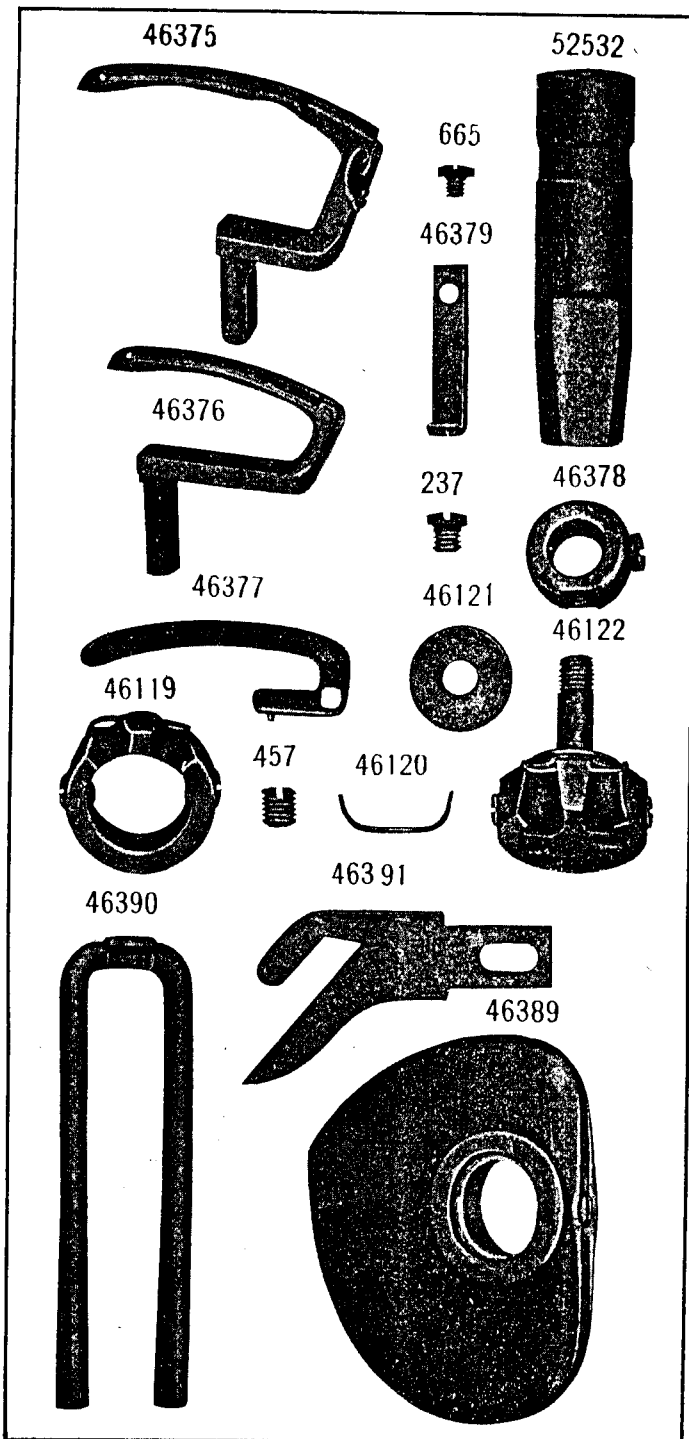


PLATE 6523-FULL SIZE

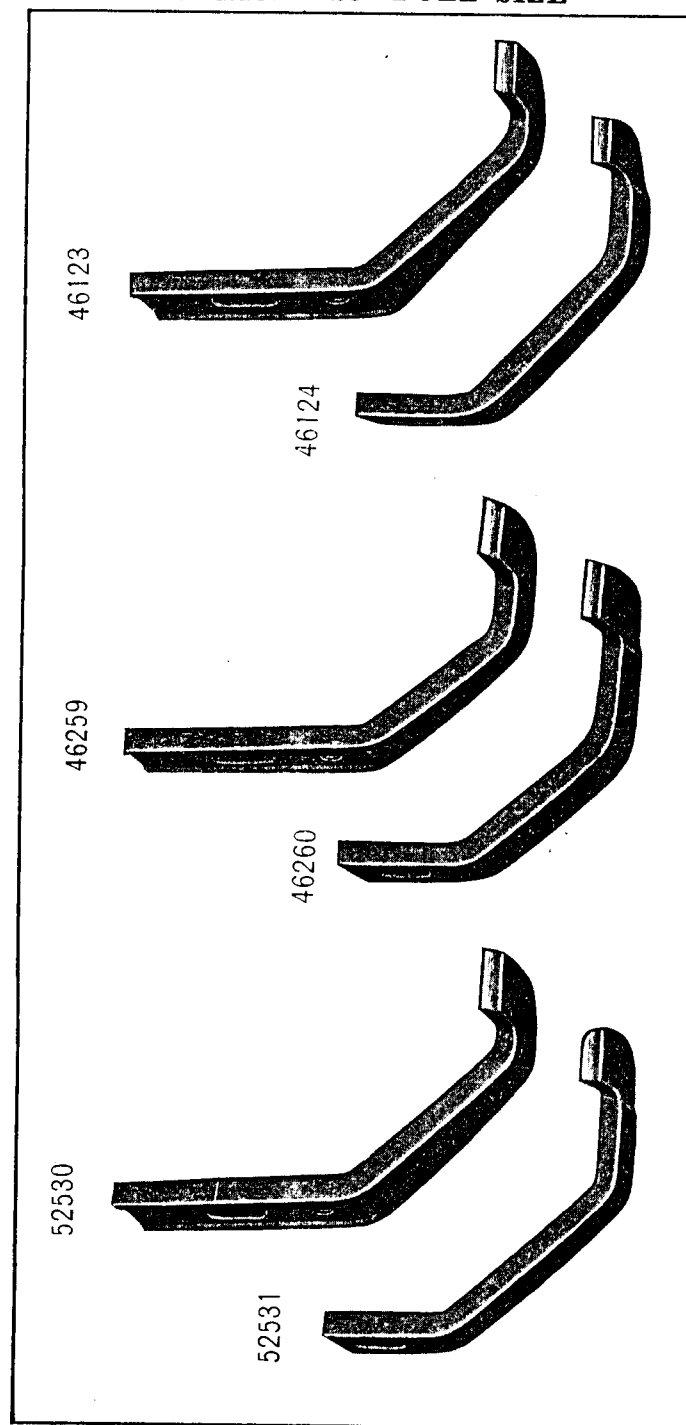


PLATE 6524—FULL SIZE

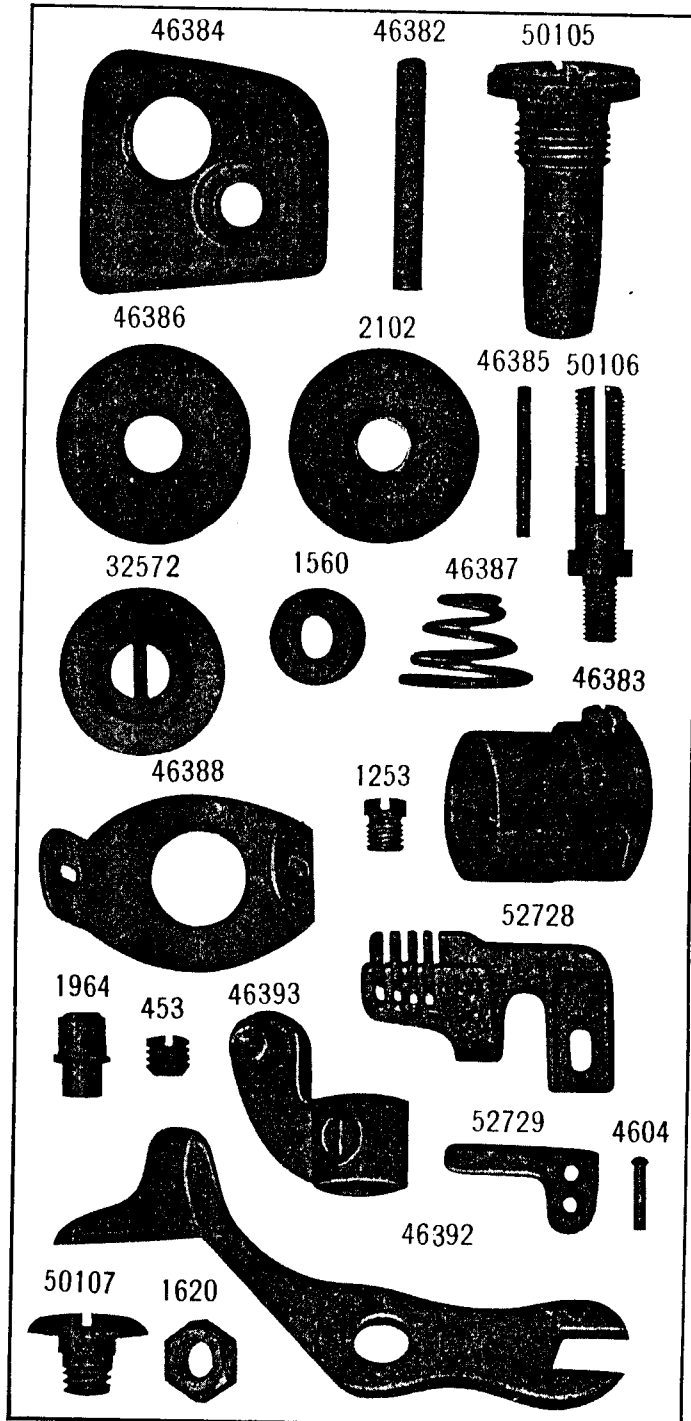


PLATE 6525—FULL SIZE

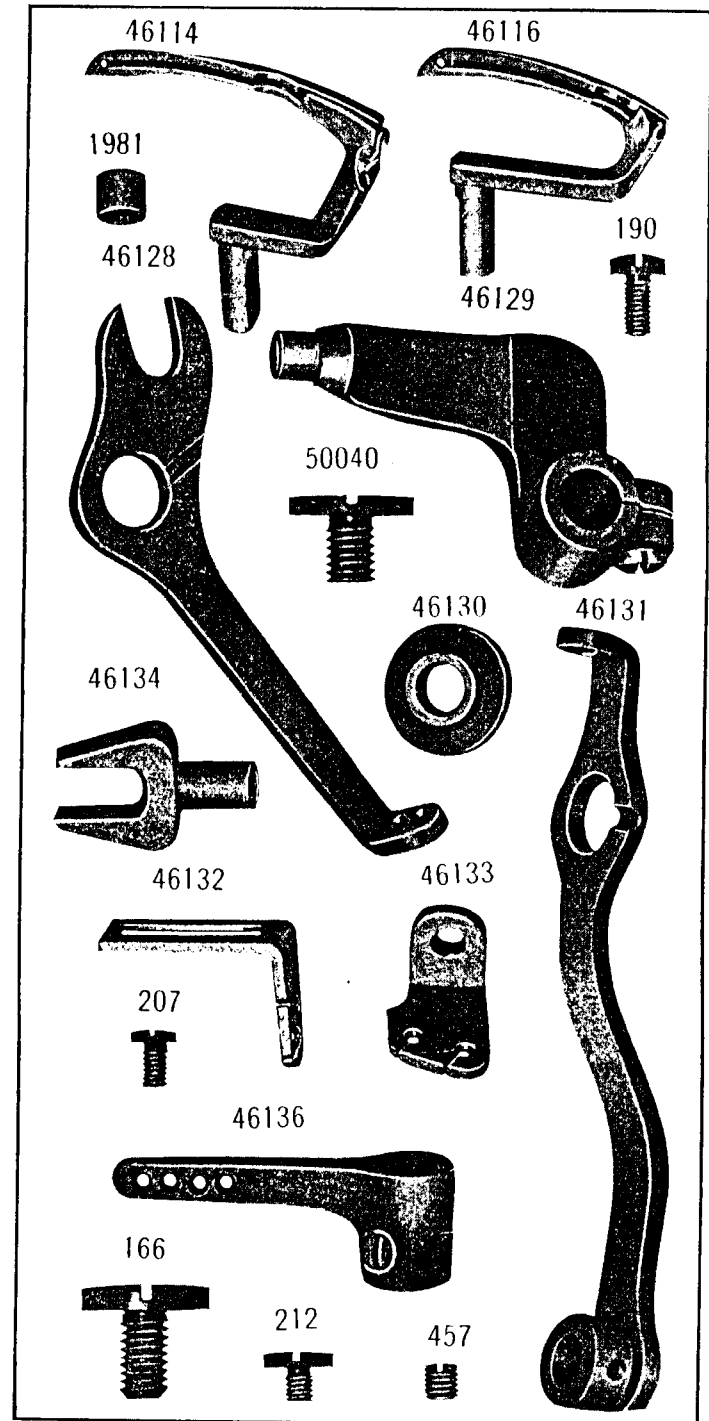


PLATE 6526—FULL SIZE

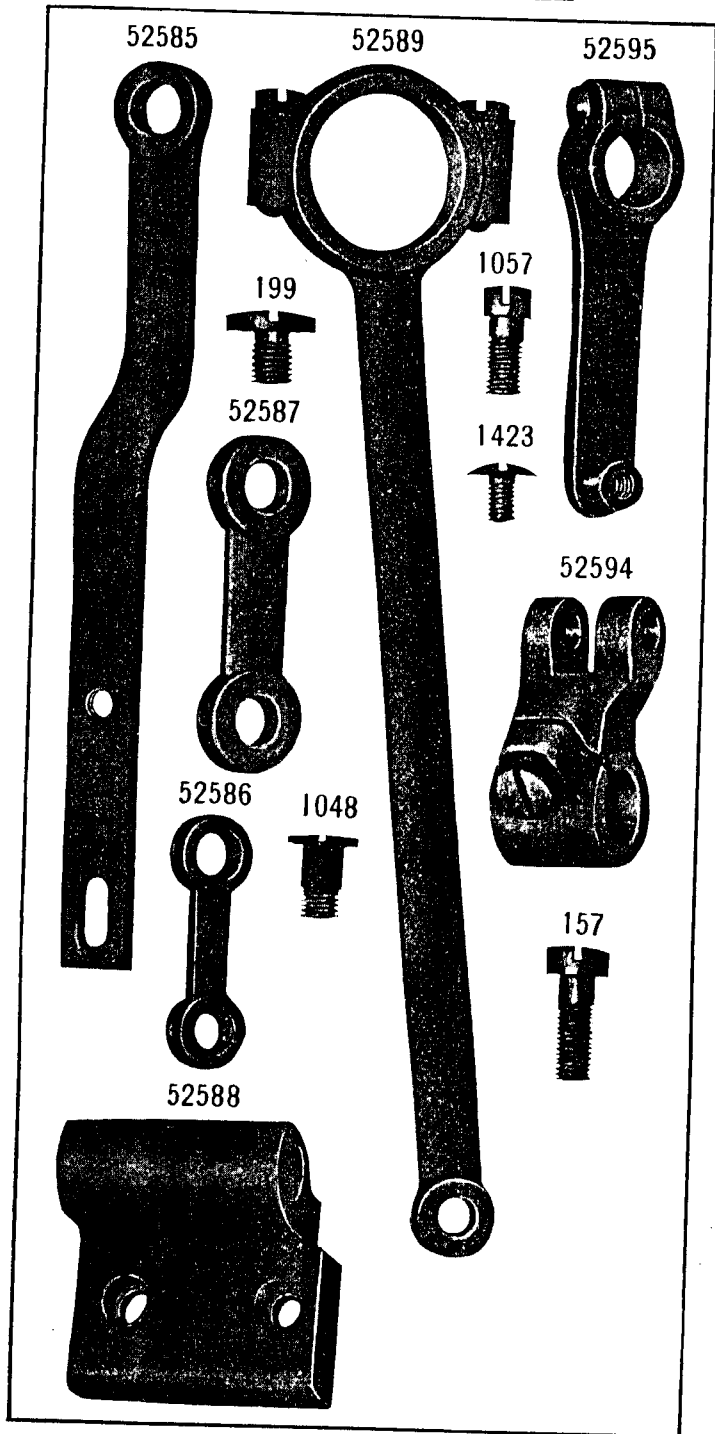


PLATE 6527—FULL SIZE

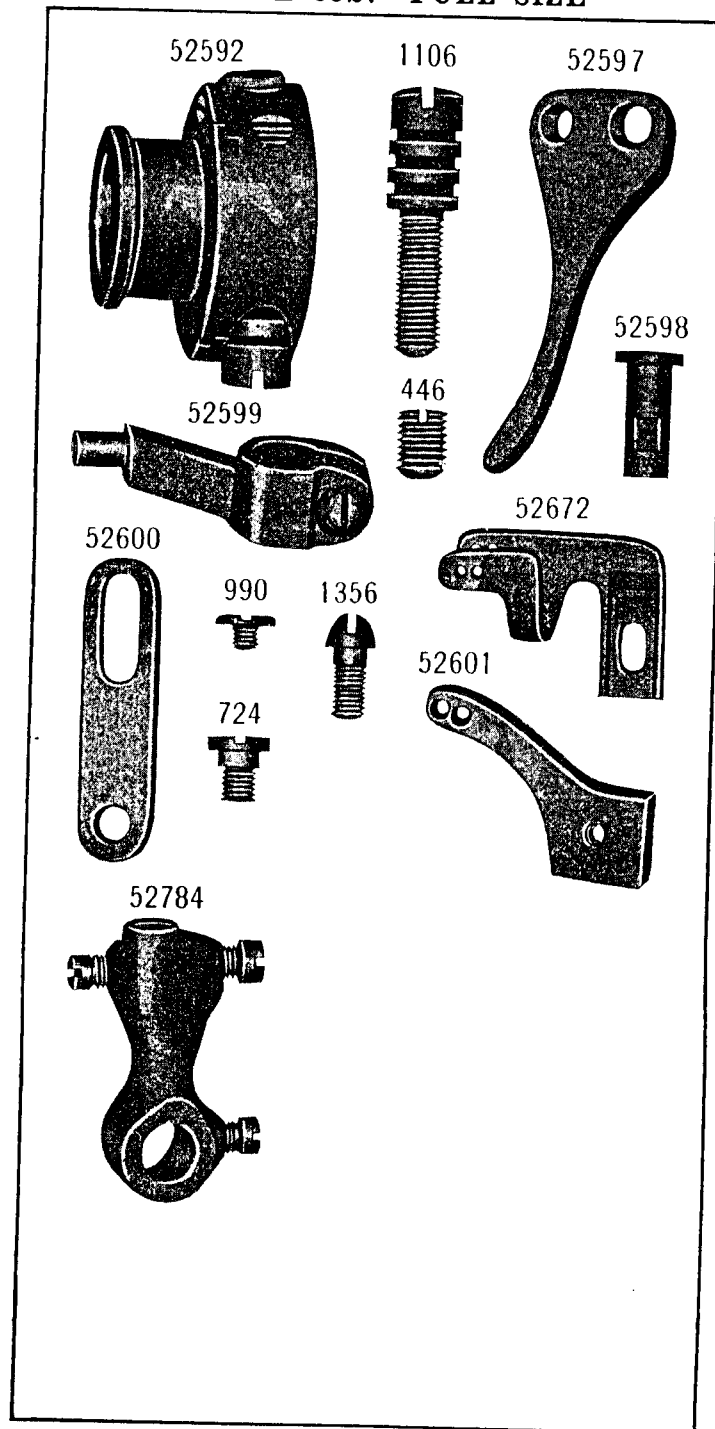


PLATE 6528—FULL SIZE

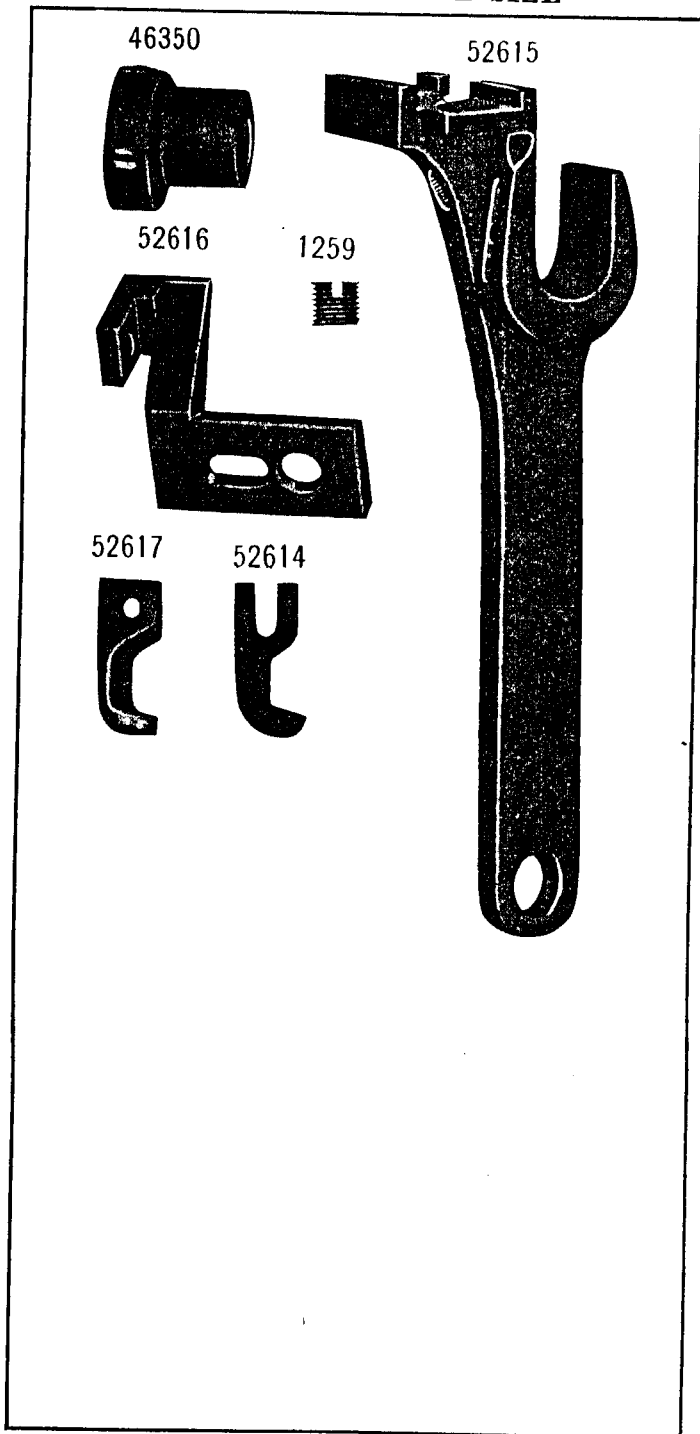


PLATE 6529—FULL SIZE

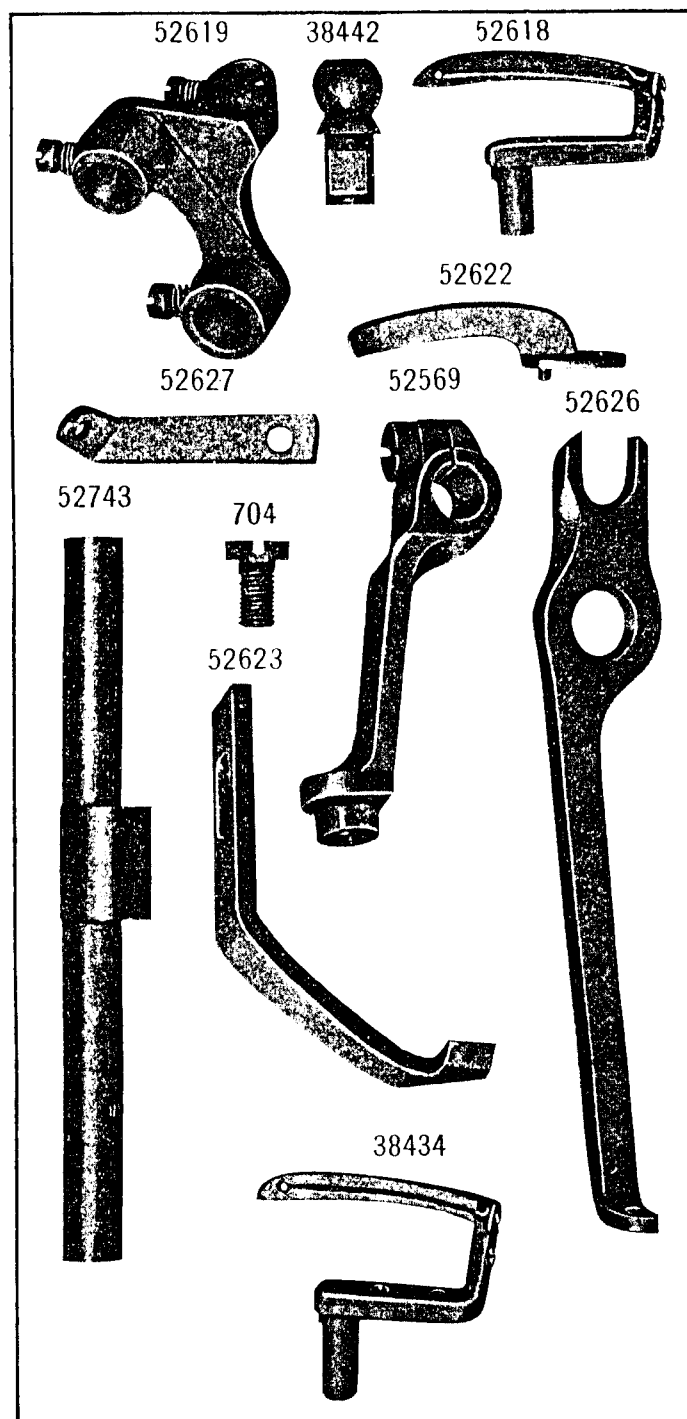


PLATE 6530—FULL SIZE

52670



52671



52669



PLATE 6531—FULL SIZE

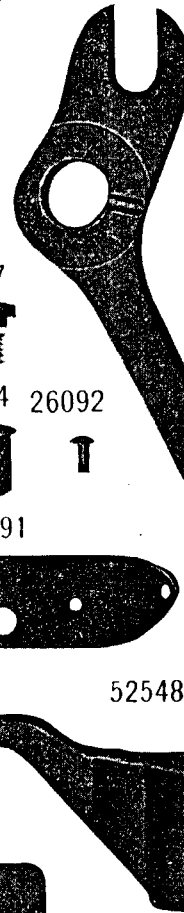
41515



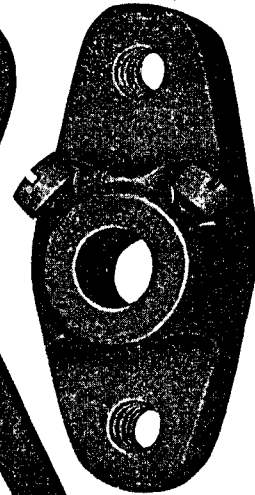
41569



46245



38411



52603



957



46224



26092



38491



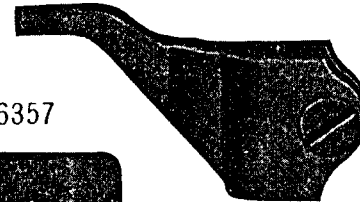
1497



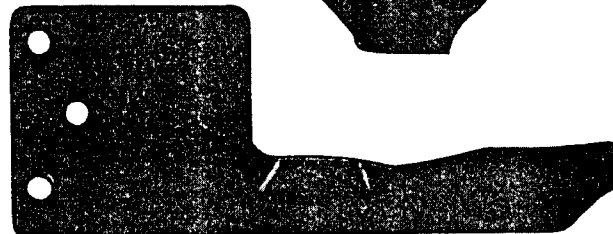
704



52548



46357



38430

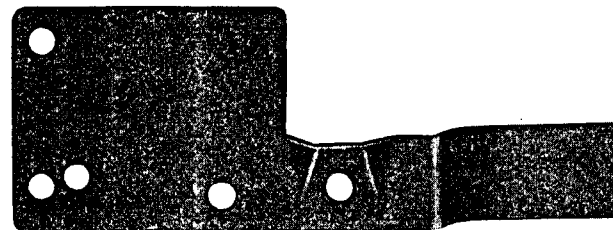


PLATE 6532—FULL SIZE

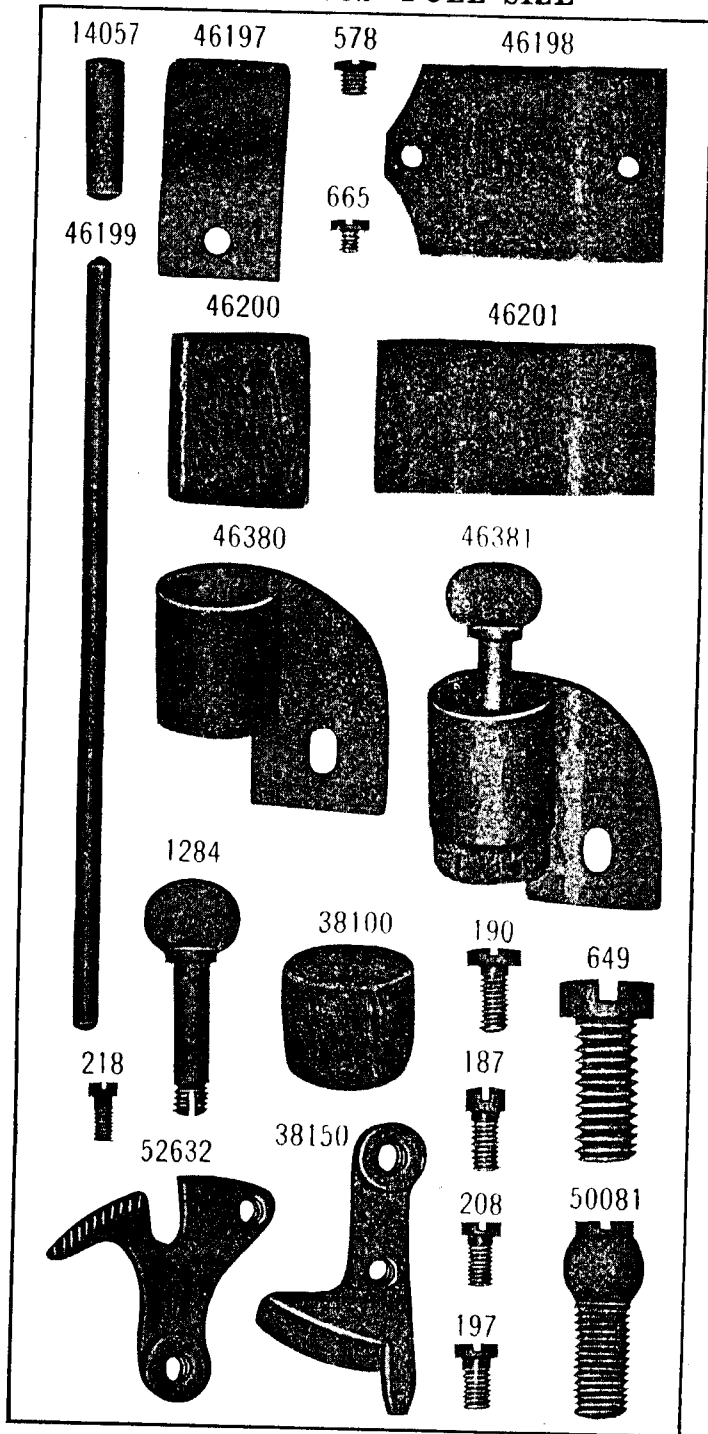


PLATE 6533—FULL SIZE

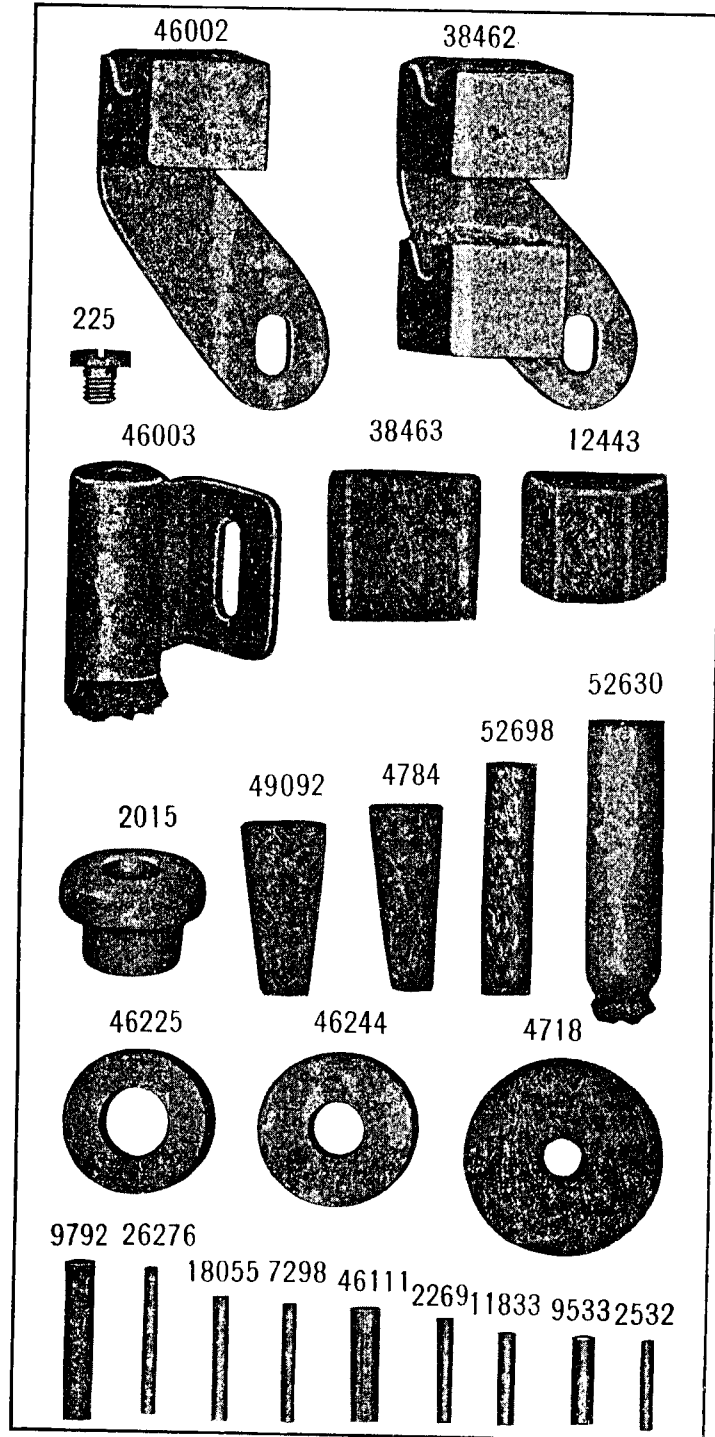


PLATE 6534—FULL SIZE

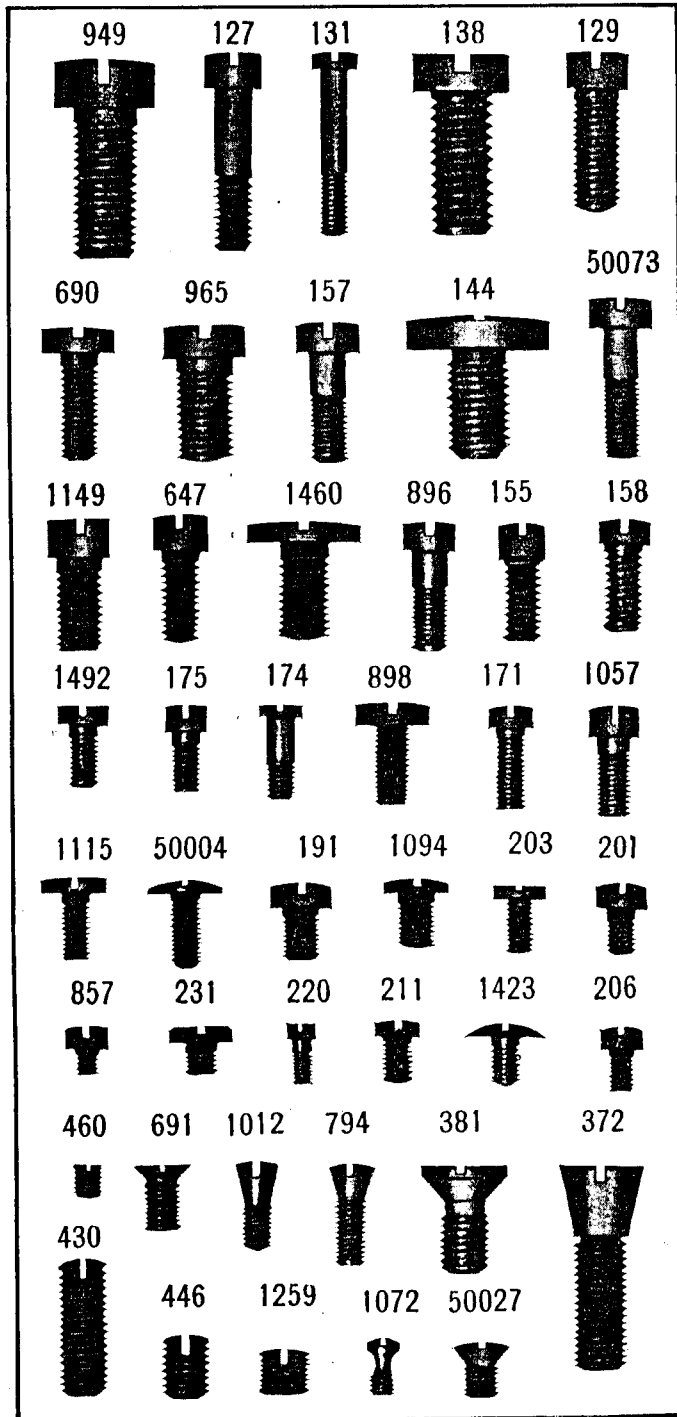


PLATE 6535—FULL SIZE

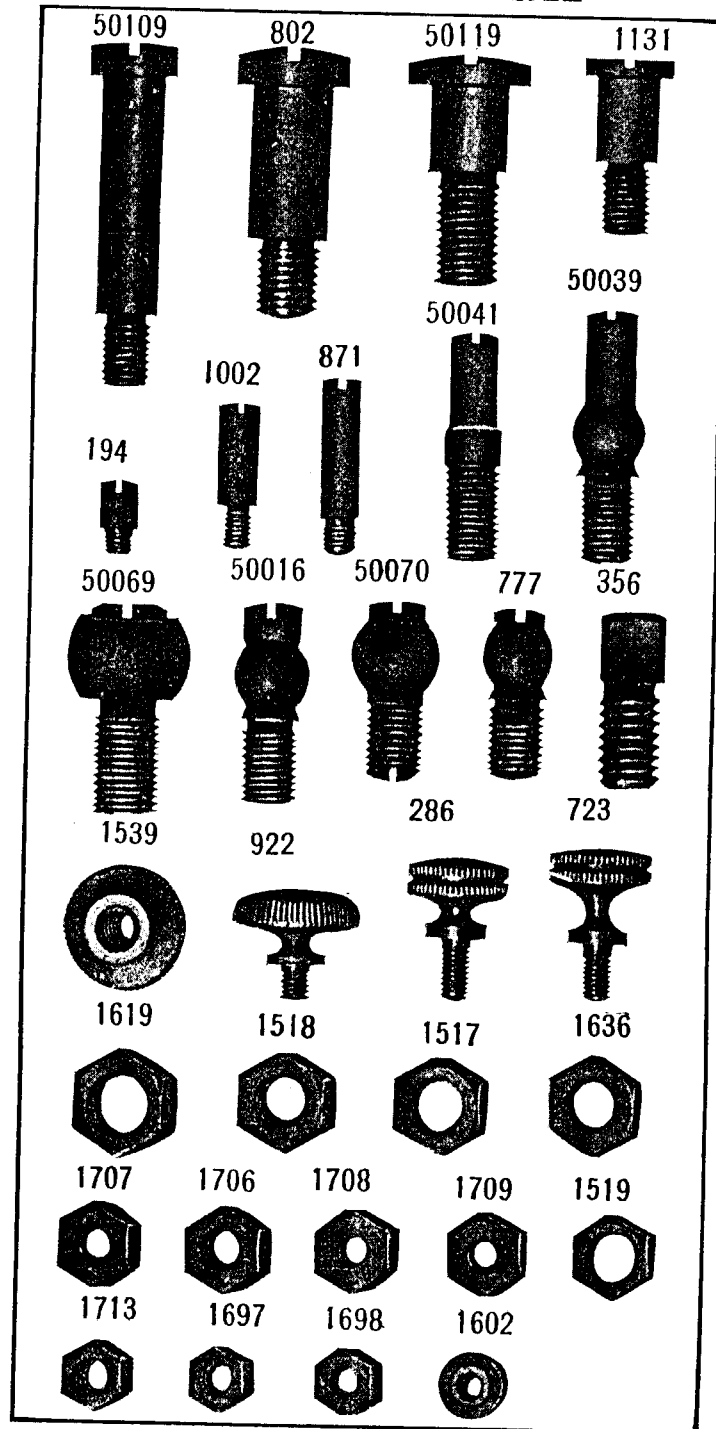


PLATE 6536—FULL SIZE

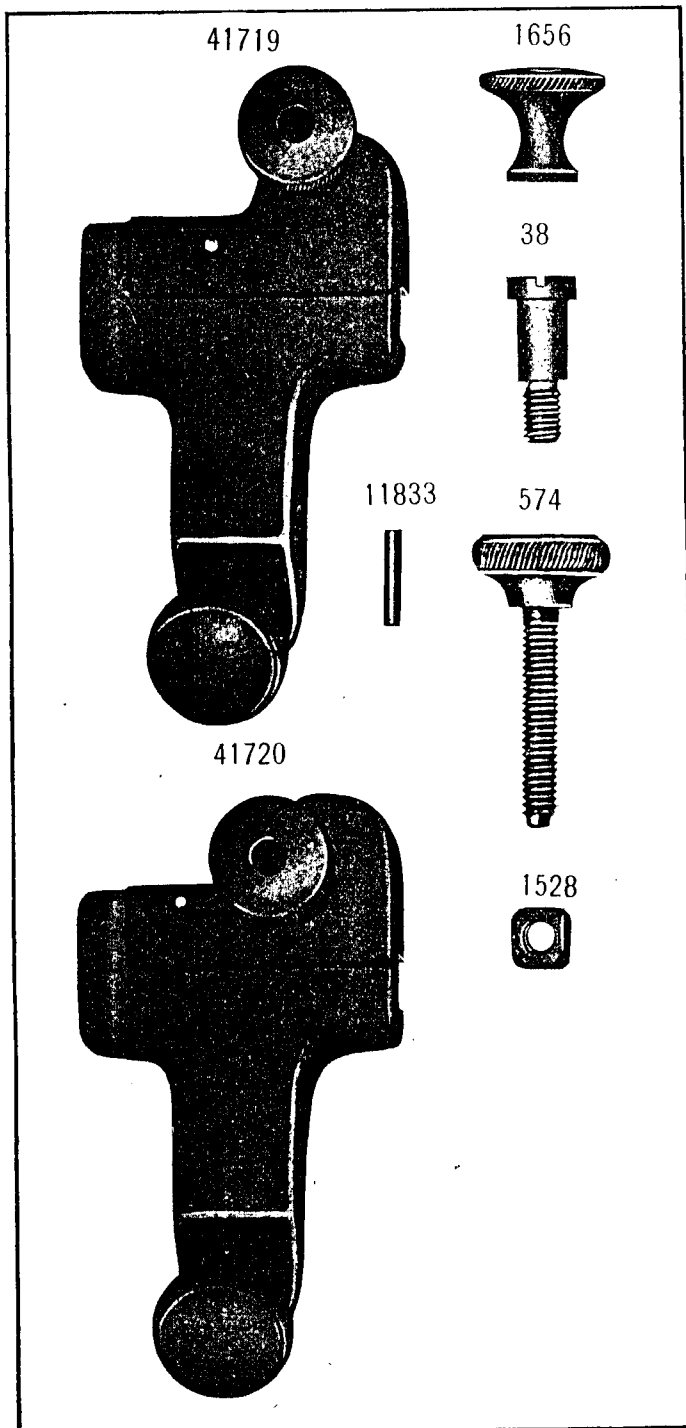


PLATE 6537—ONE-FOURTH SIZE

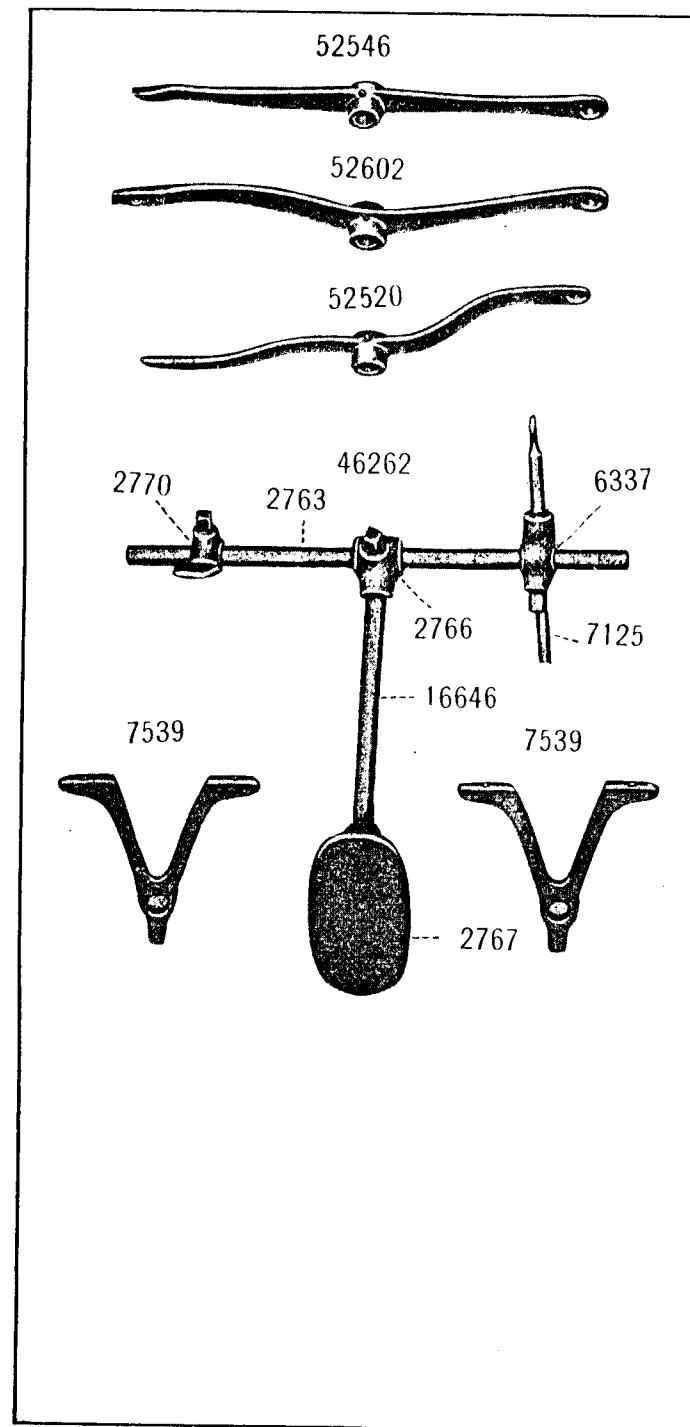




PLATE 6538—ONE-HALF SIZE

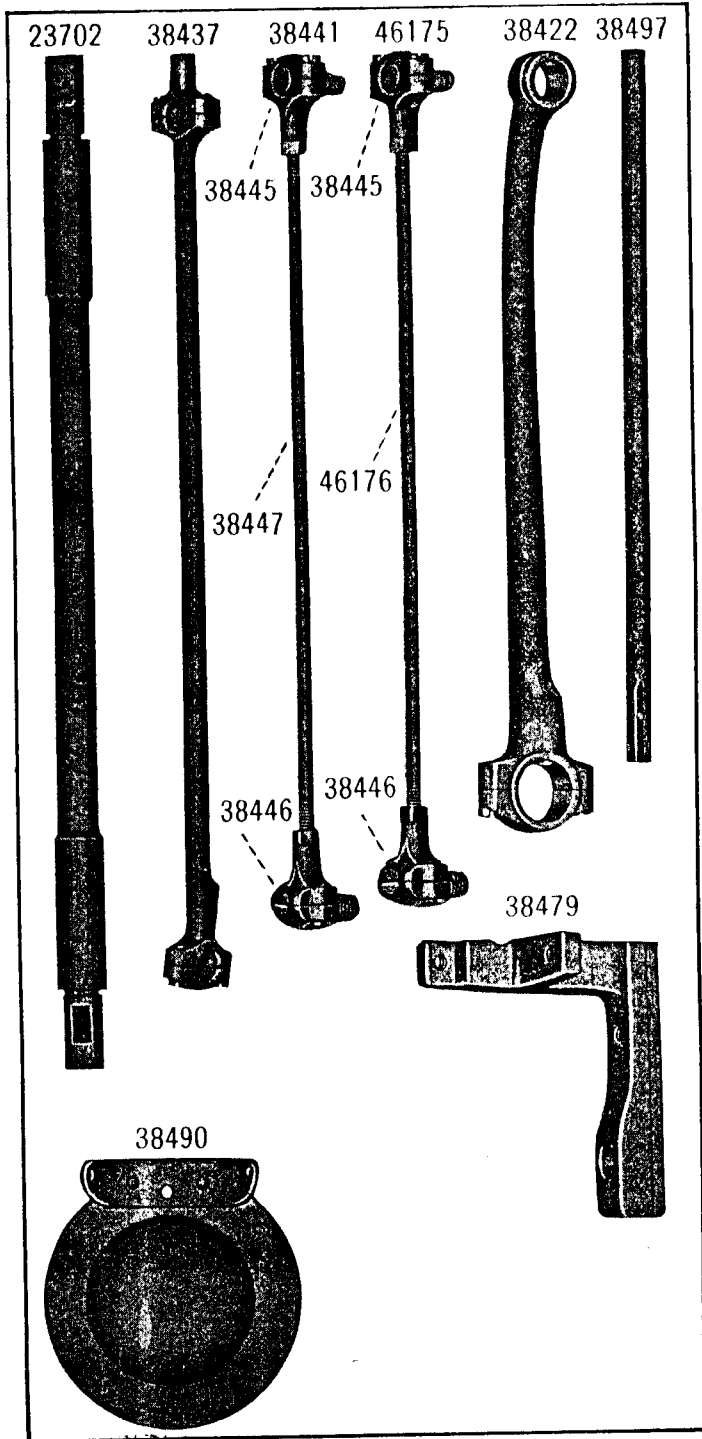


PLATE 6539—FULL SIZE

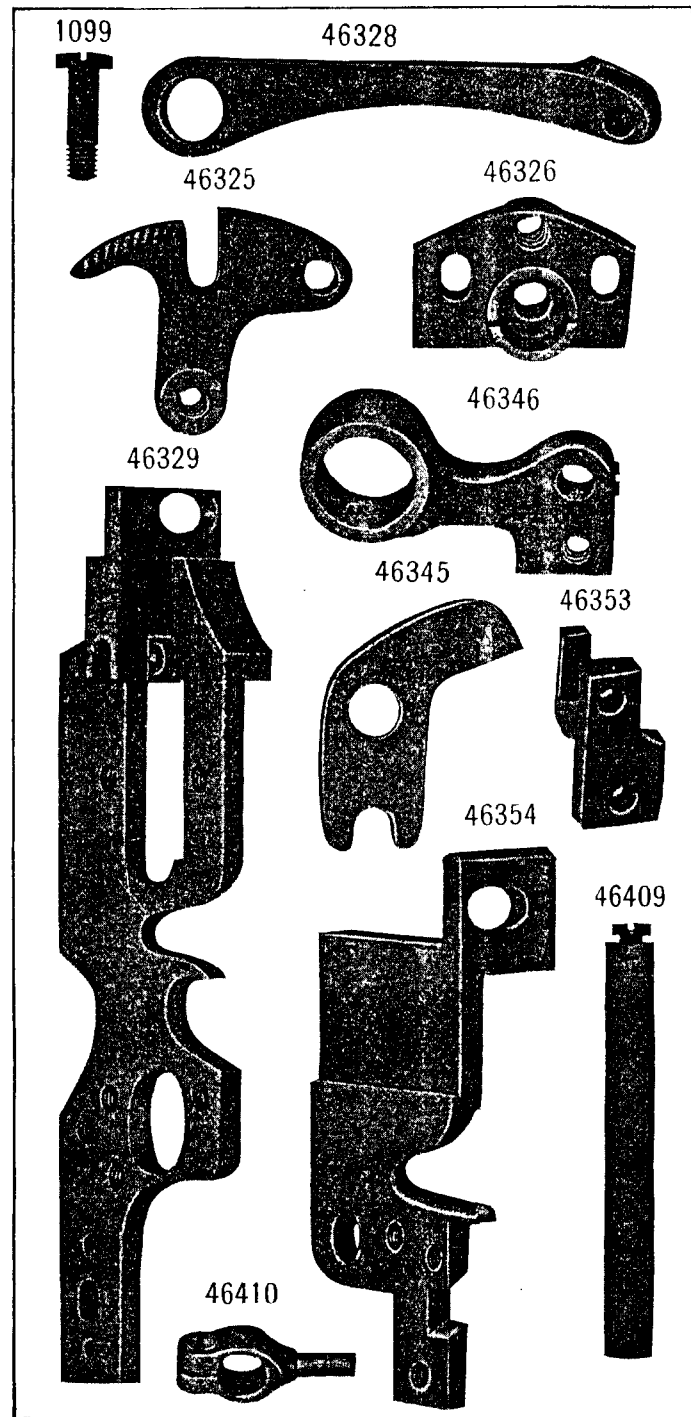


PLATE 6540—FULL SIZE

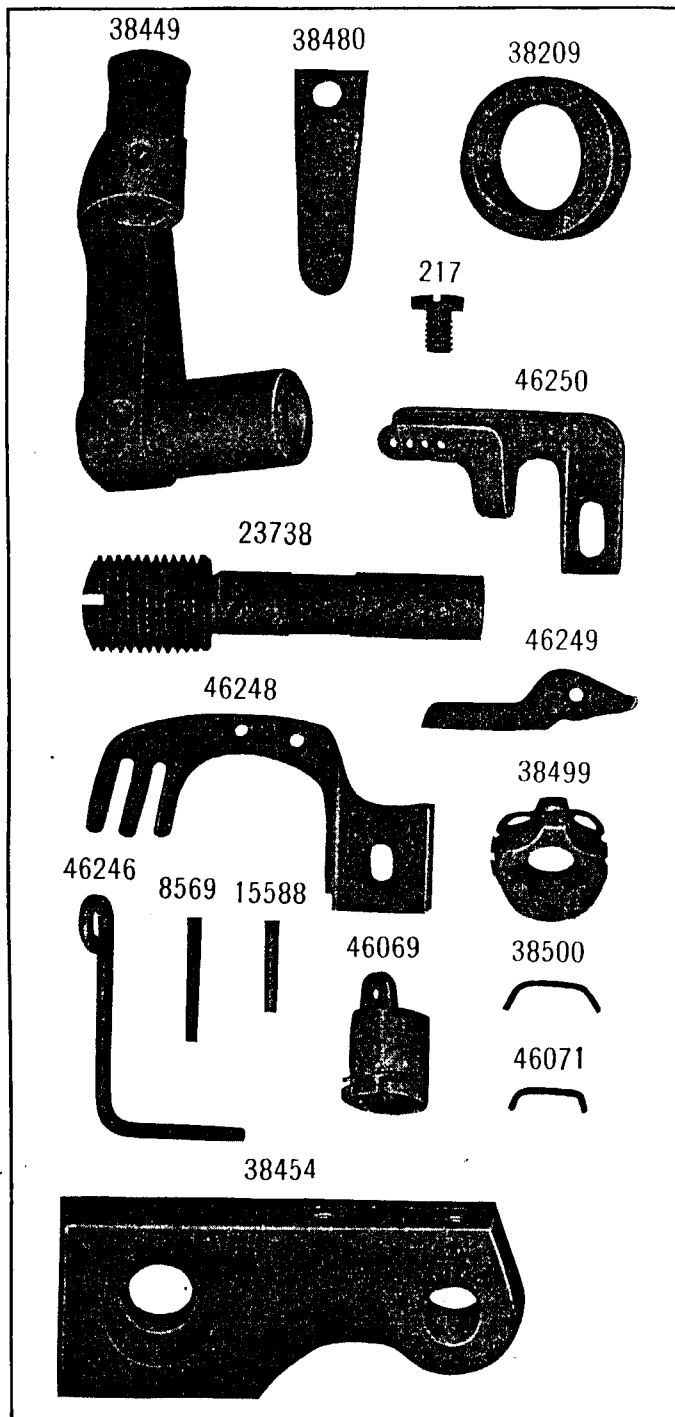


PLATE 6541—FULL SIZE

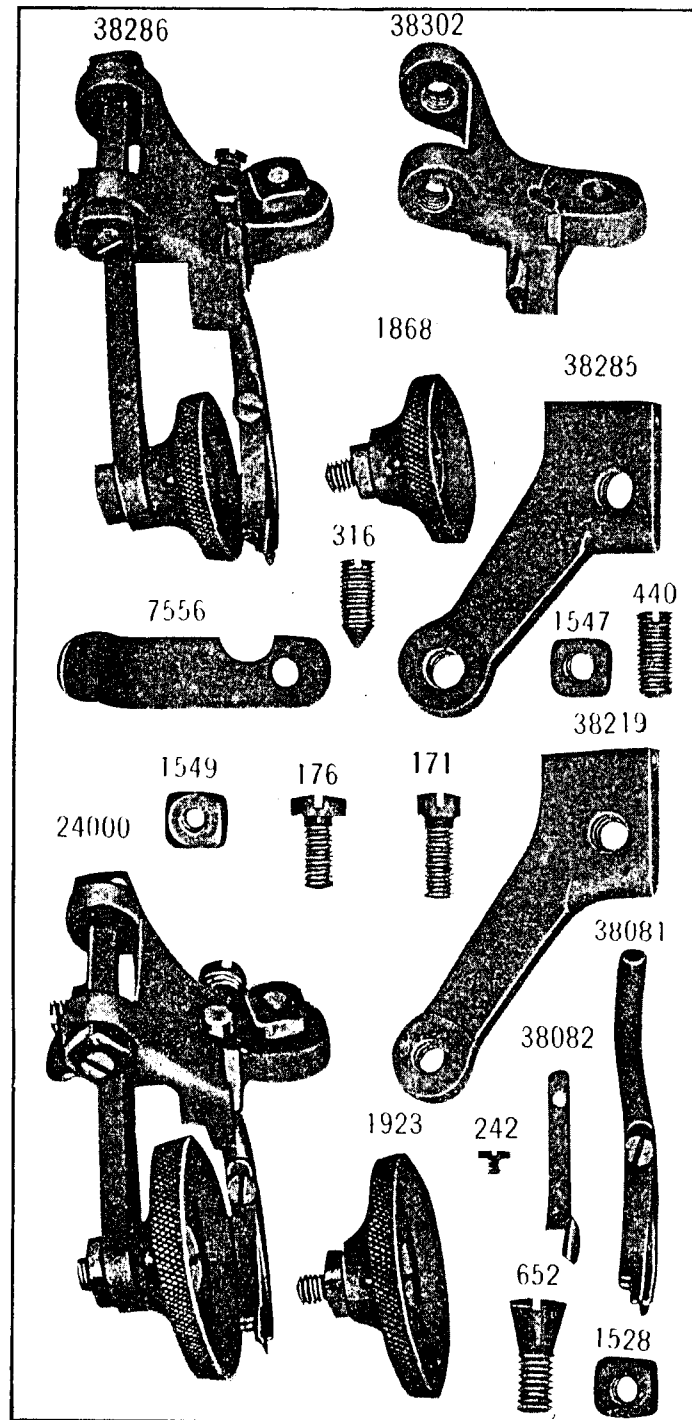
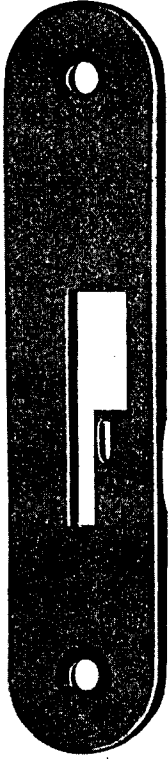
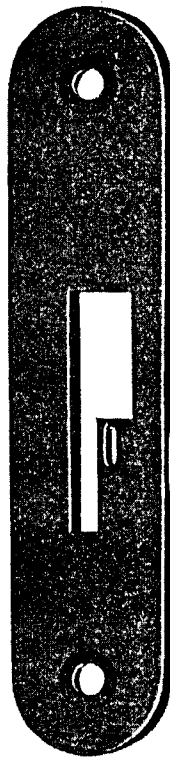


PLATE 6542—FULL SIZE

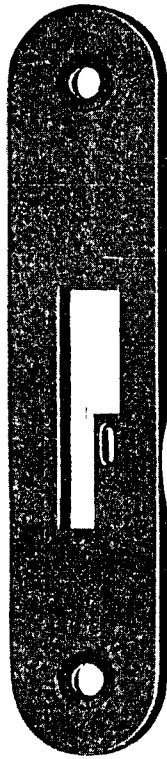
38486



46095



46184



38428



52552



46180



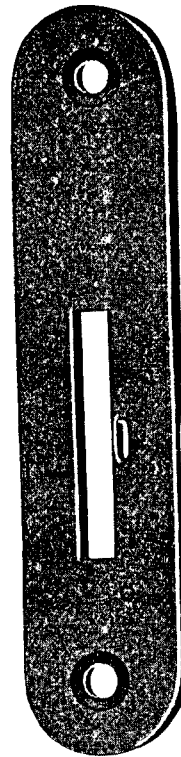
46075

665

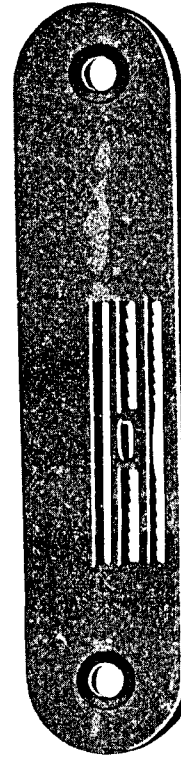


PLATE 6543—FULL SIZE

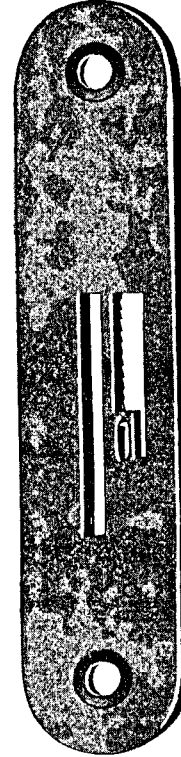
46094



46059



46258



46065



46055



46257



PLATE 6544—FULL SIZE

38471



46100



46058



46077



52555



46183



38048



46310

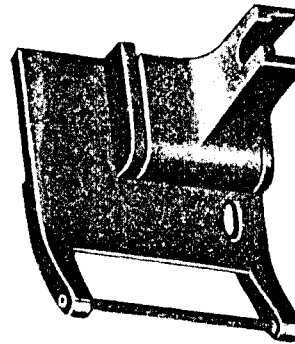


46313

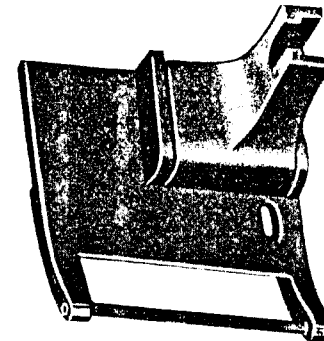


PLATE 6545—FULL SIZE

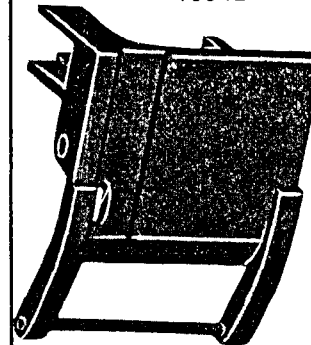
46342



46369



46342



46369

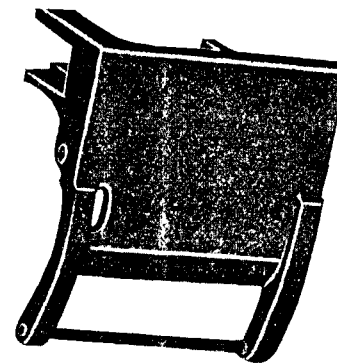
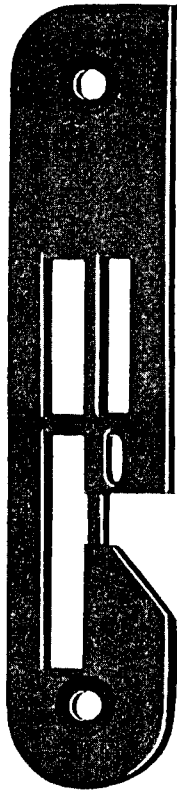


PLATE 6546—FULL SIZE

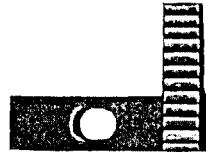
46458



46440



46443



46457

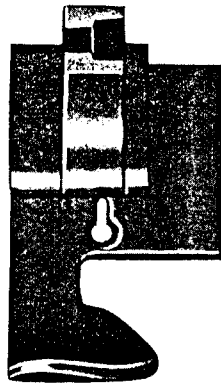
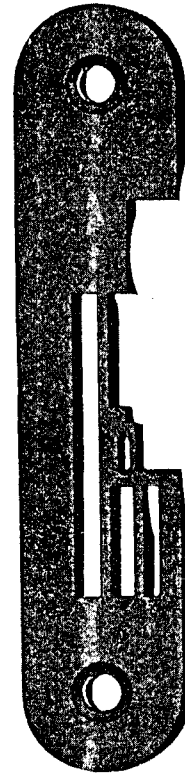


PLATE 6547—FULL SIZE

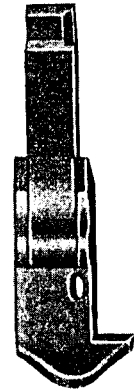
52662



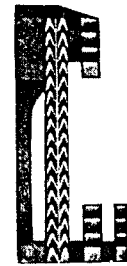
52656



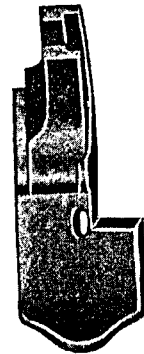
38044



52658



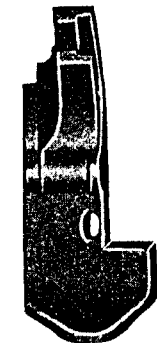
46362



52651



52654



52652

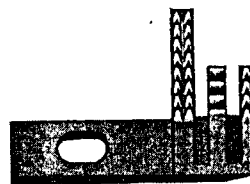


PLATE 6548—FULL SIZE

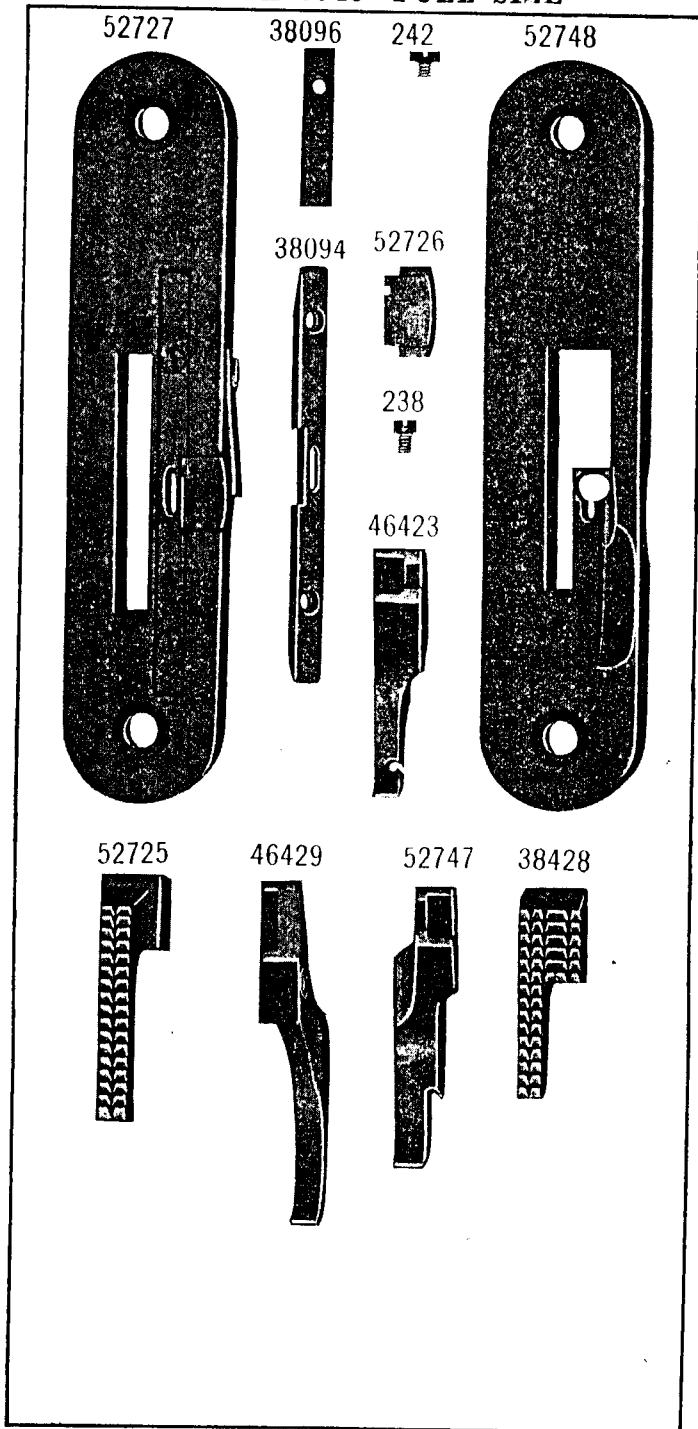


PLATE 6549—FULL SIZE

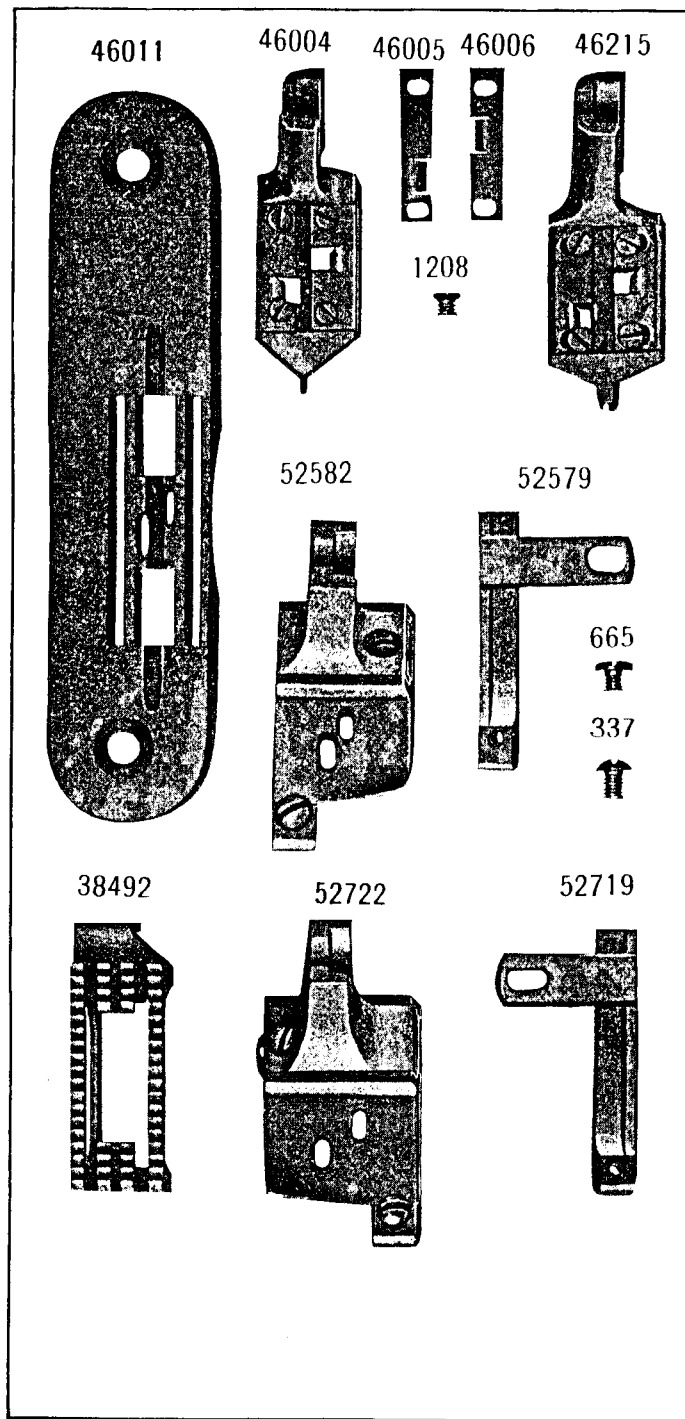
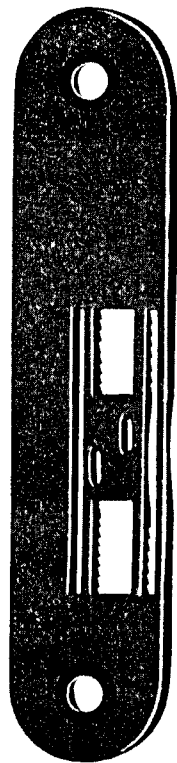
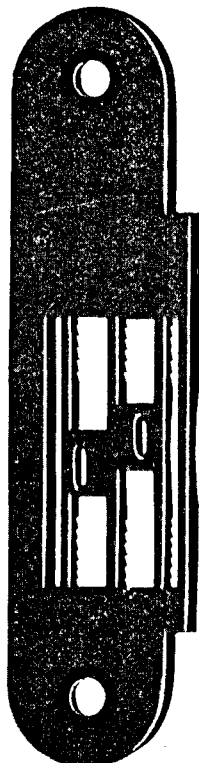


PLATE 6550—FULL SIZE

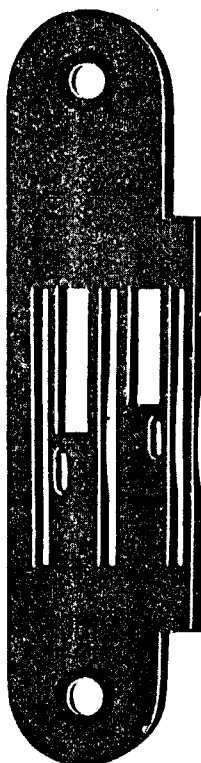
46089



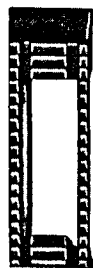
46090



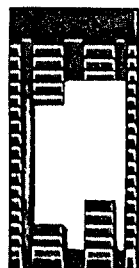
52825



46080



46081



52817

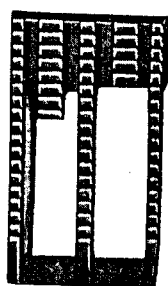
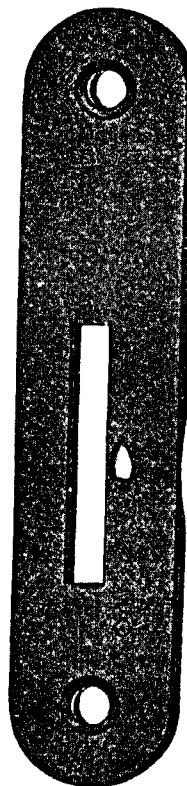
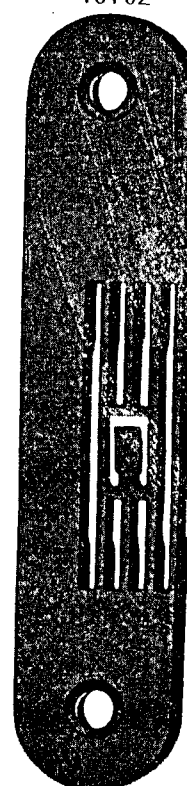


PLATE 6551—FULL SIZE

46074



46162



46178



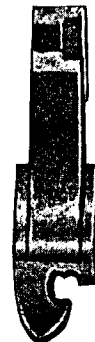
46065



46143



38366



46155





PLATE 6552—FULL SIZE

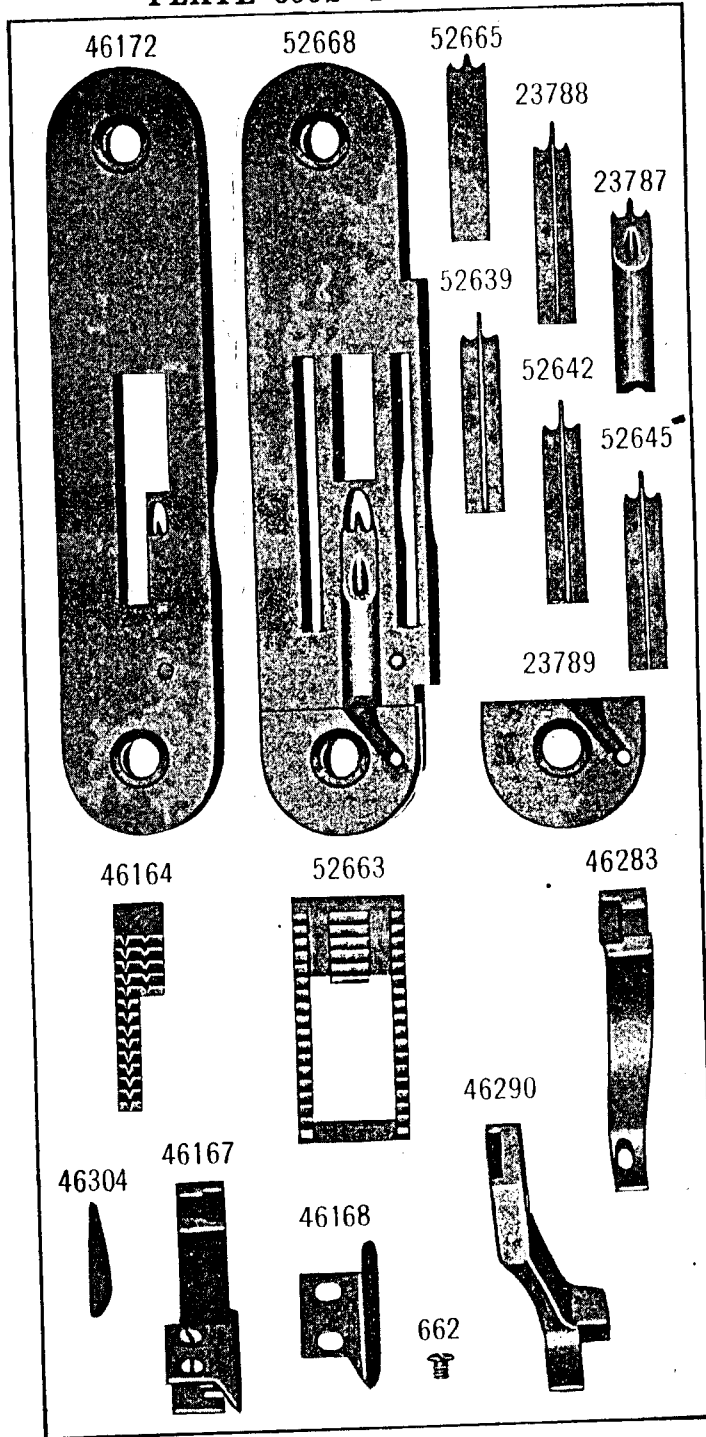


PLATE 6553—FULL SIZE

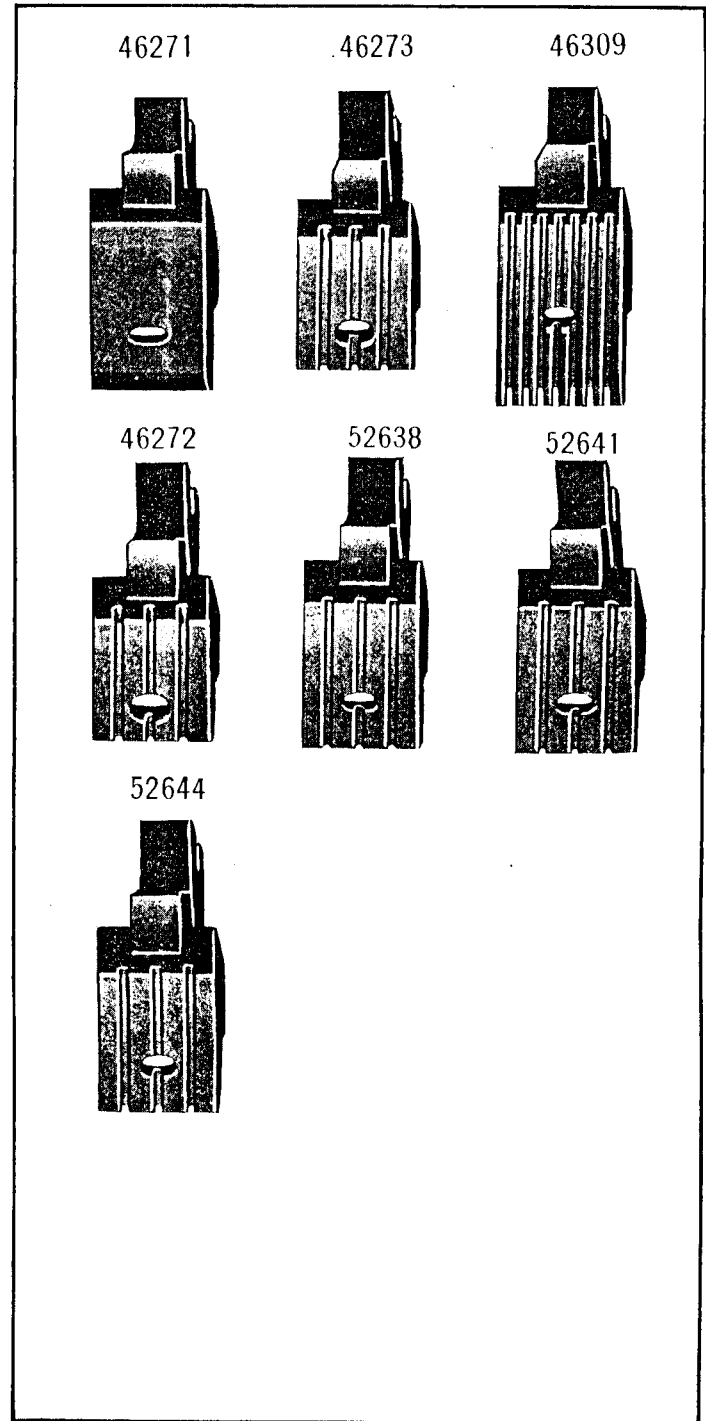
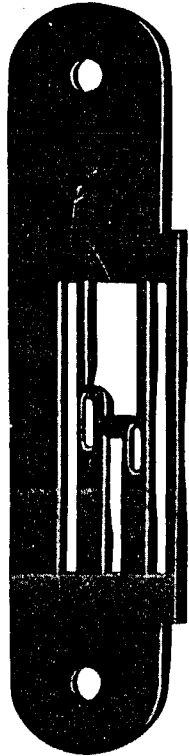


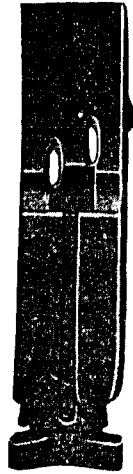


PLATE 6554—FULL SIZE

52519



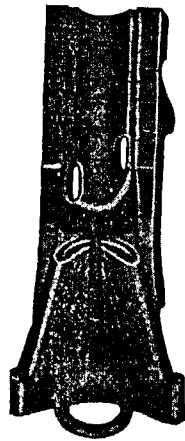
36356



36354



36358

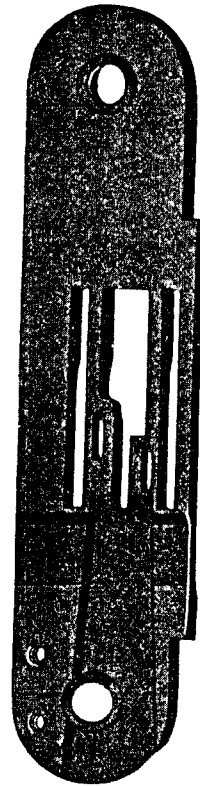


46473

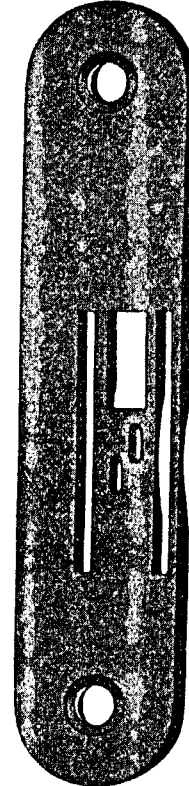


PLATE 6555—FULL SIZE

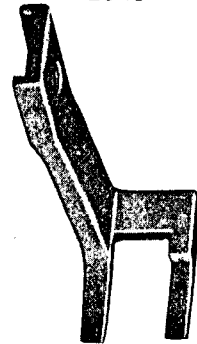
52718



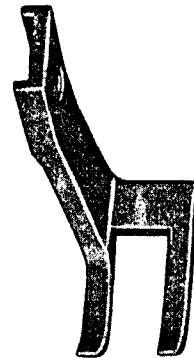
52542



52545



52596



52689



52534



52535



PLATE 6556—FULL SIZE

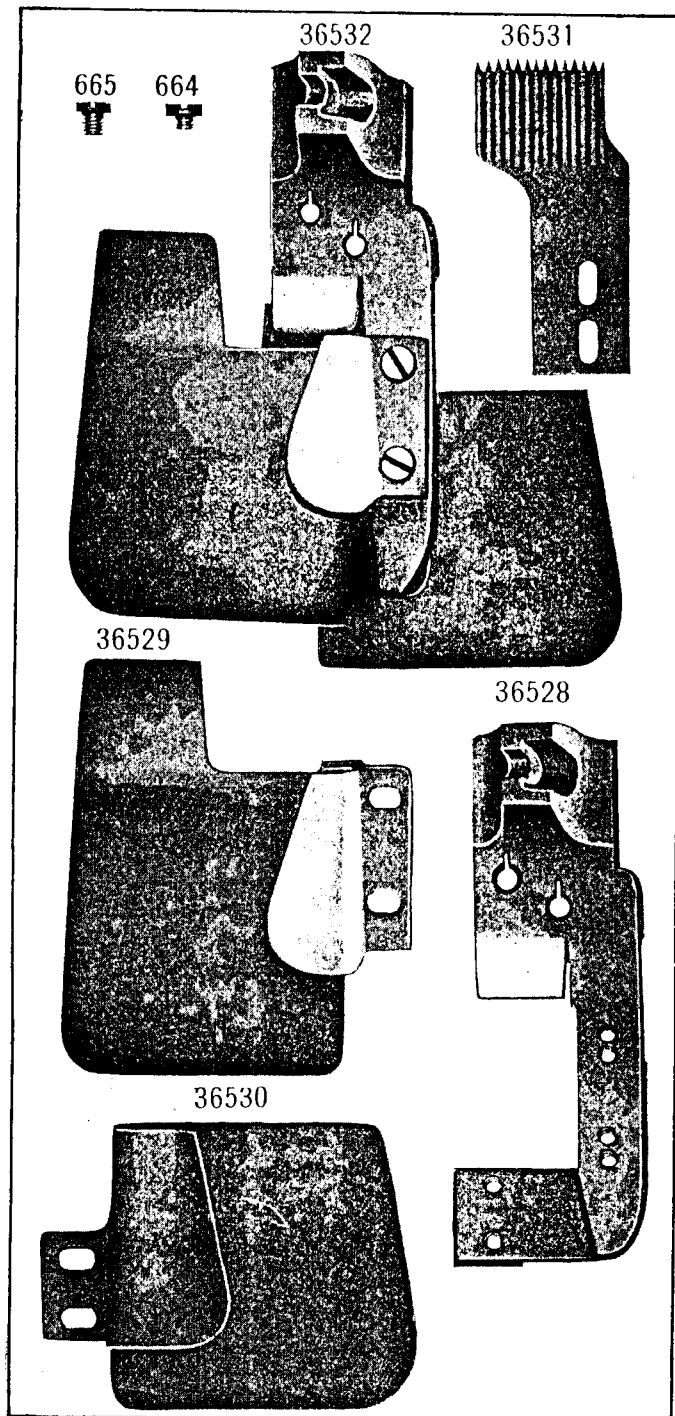


PLATE 6557—FULL SIZE

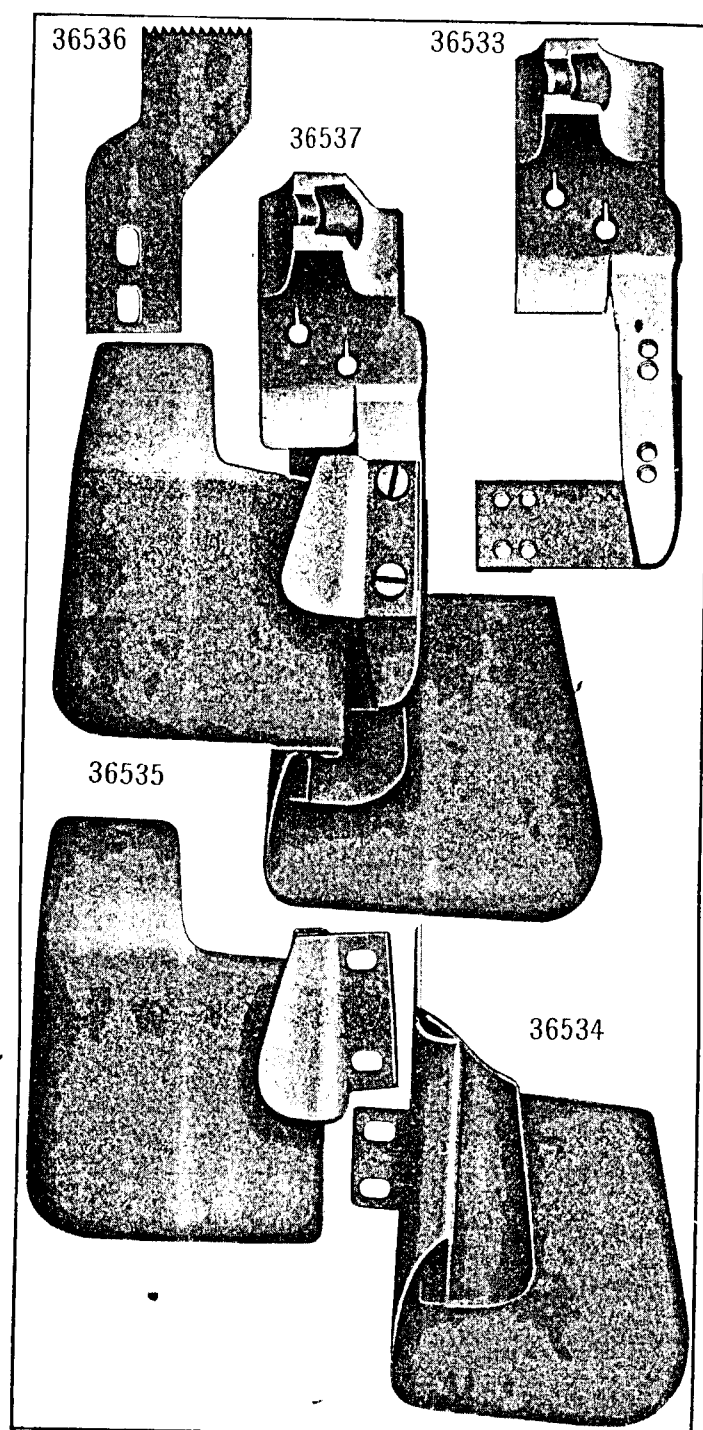
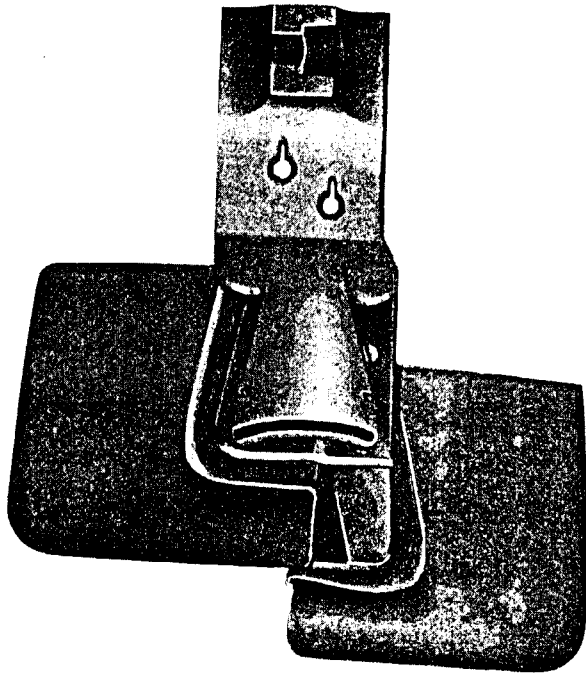
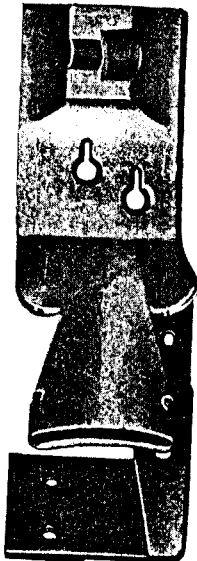


PLATE 6558—FULL SIZE

36540



36538



36539

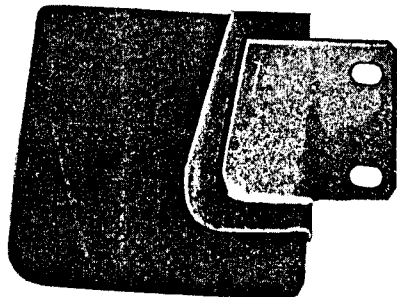
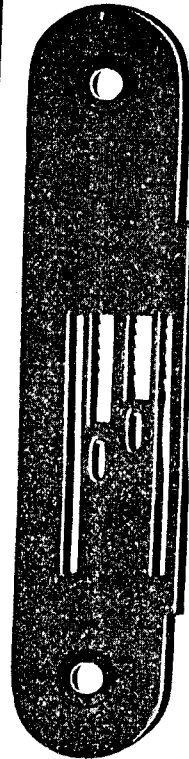


PLATE 6559—FULL SIZE

52783



52782



PLATE 6560—FULL SIZE

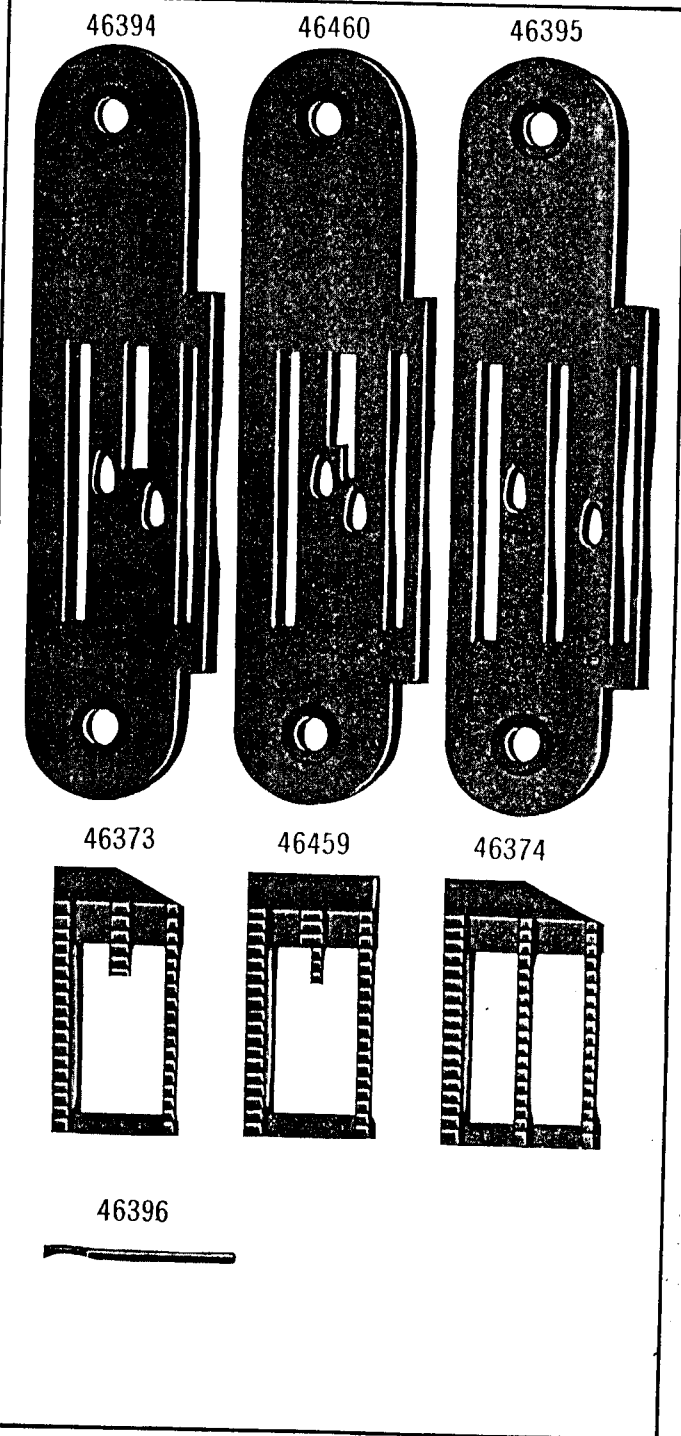


PLATE 6561—FULL SIZE

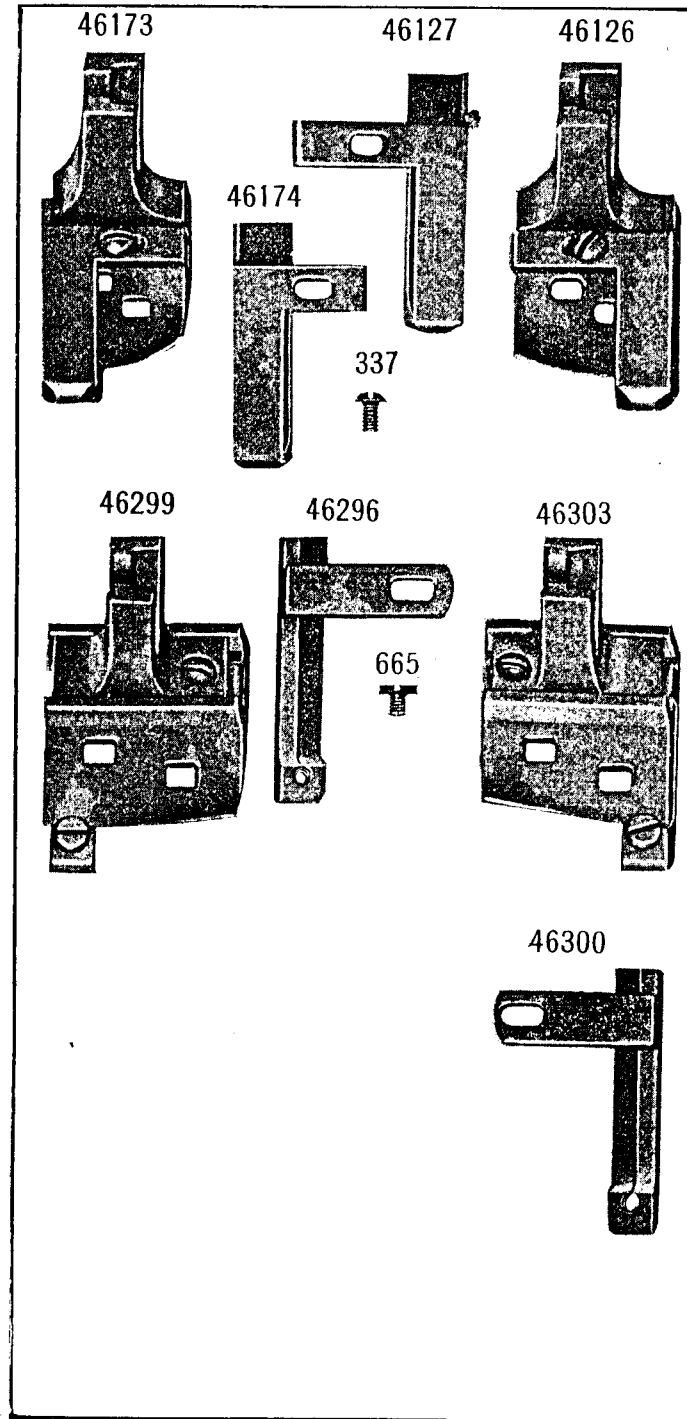


PLATE 6562—FULL SIZE

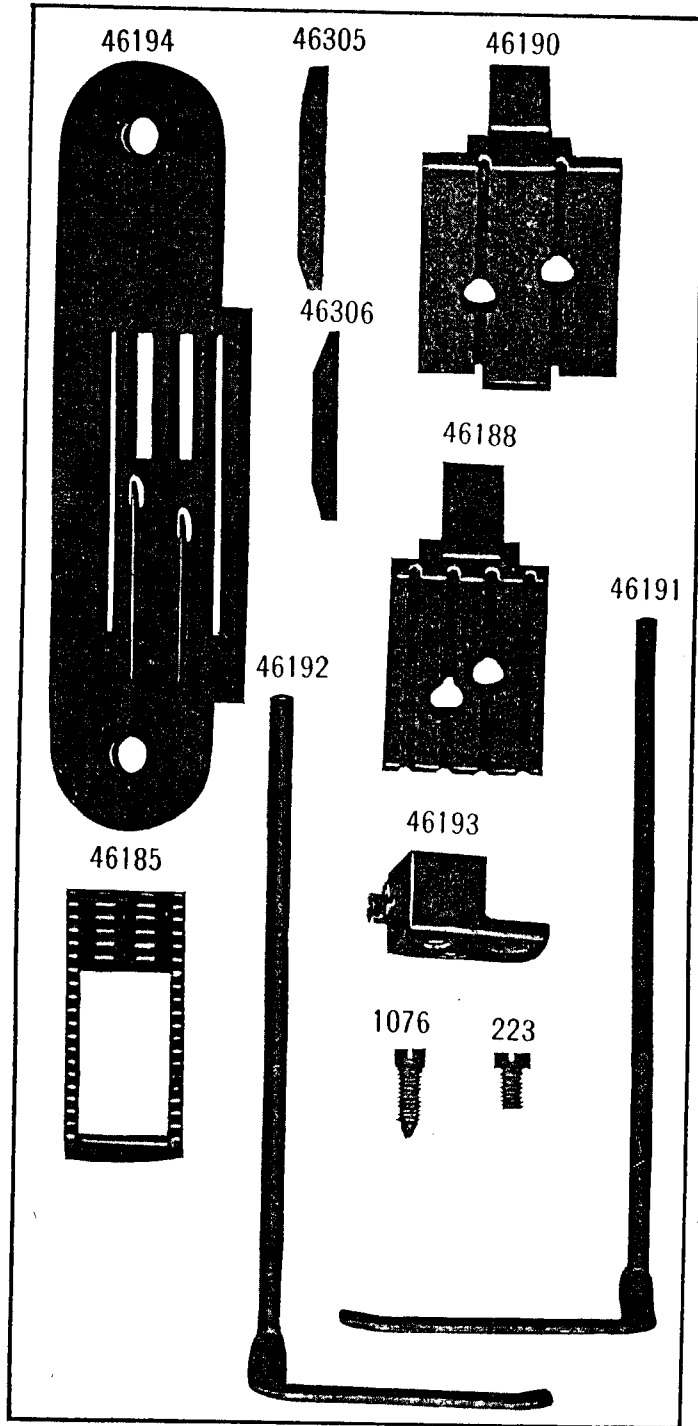


PLATE 6563—FULL SIZE

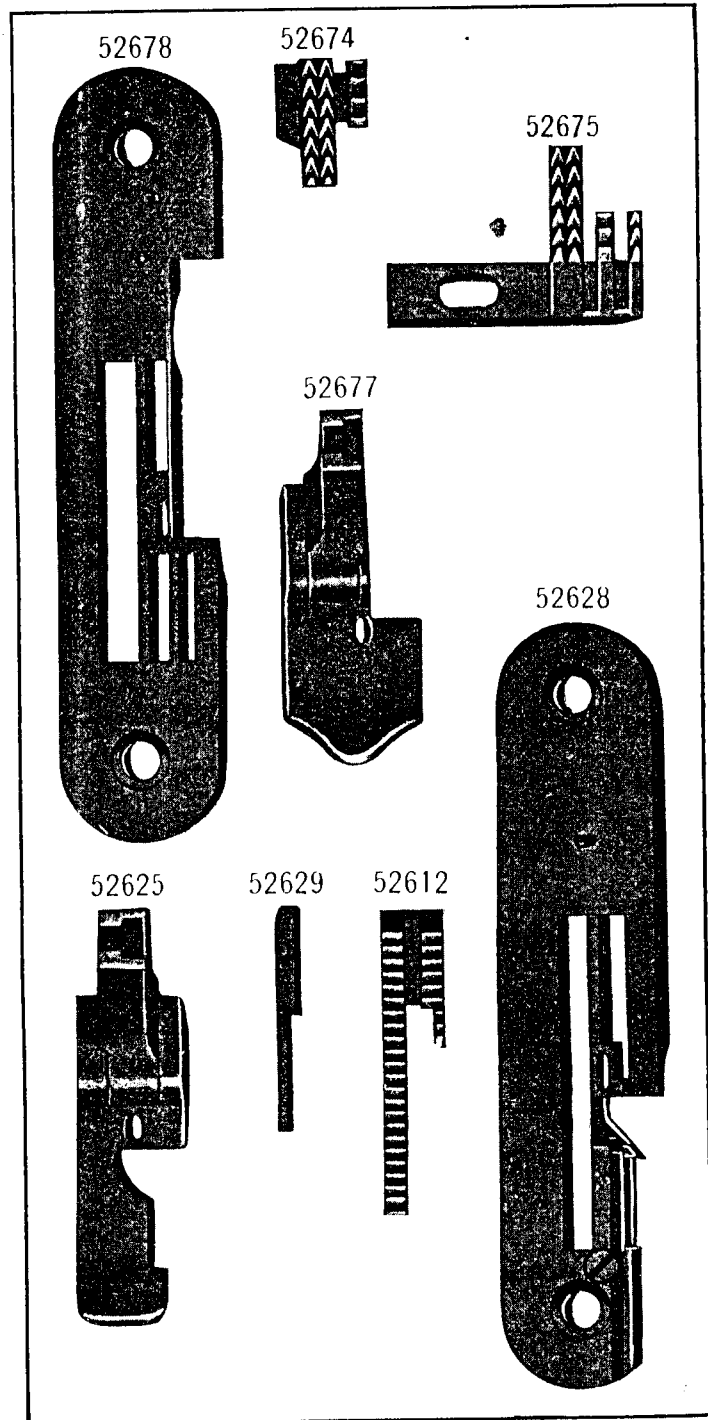
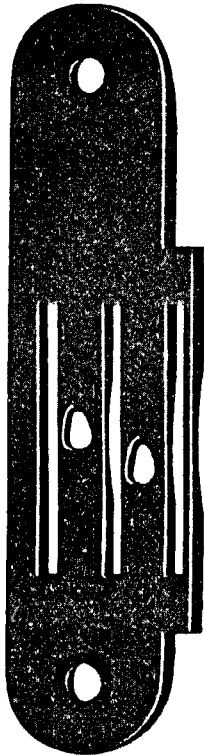
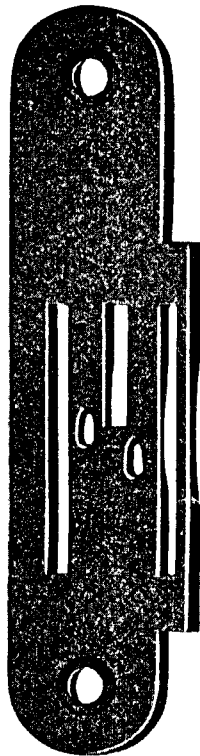


PLATE 6564—FULL SIZE

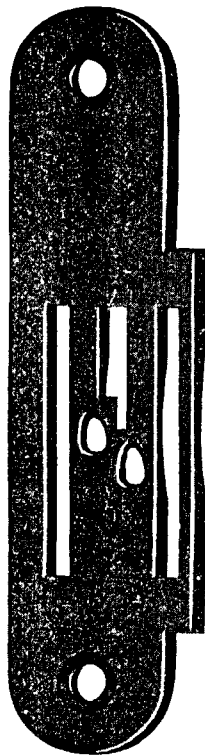
46137



46139



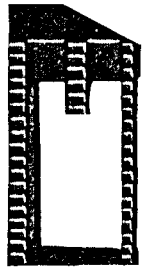
46308



46112



46138



46307

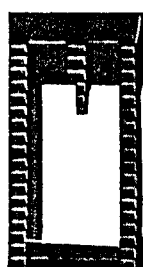
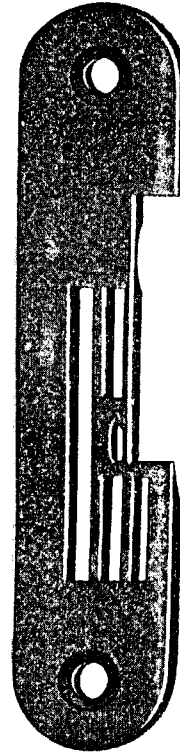
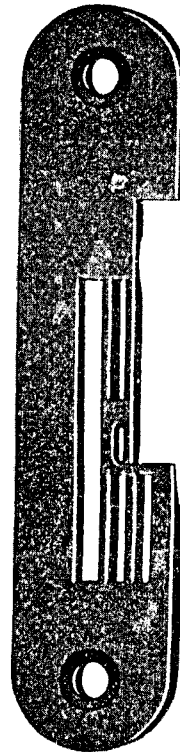


PLATE 6565—FULL SIZE

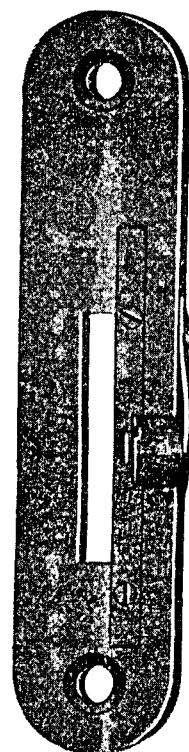
52657



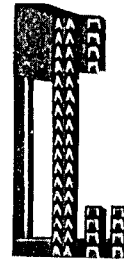
46339



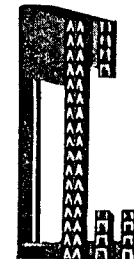
46426



46344



46334



38095



52526



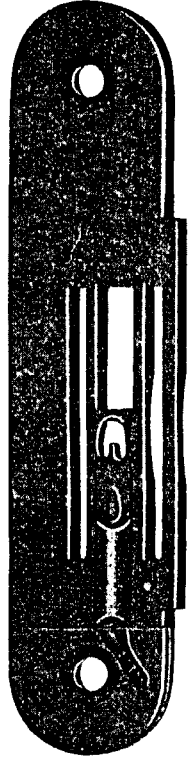


PLATE 6566—FULL SIZE

46274



46277

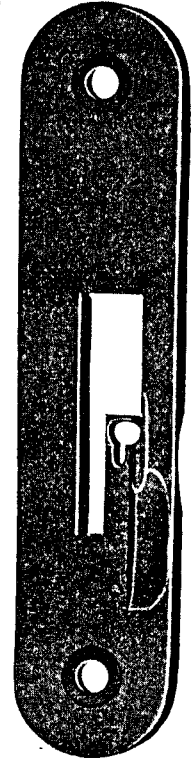


46267



PLATE 6567—FULL SIZE

52785



38428



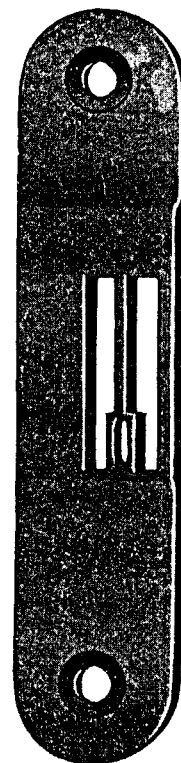
PLATE 6568—FULL SIZE

46088



PLATE 6569—FULL SIZE

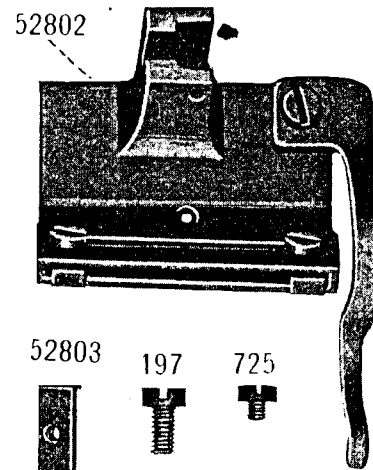
52816



52801



52804



52802

52803



197



725



52810





PLATE 6570—FULL SIZE

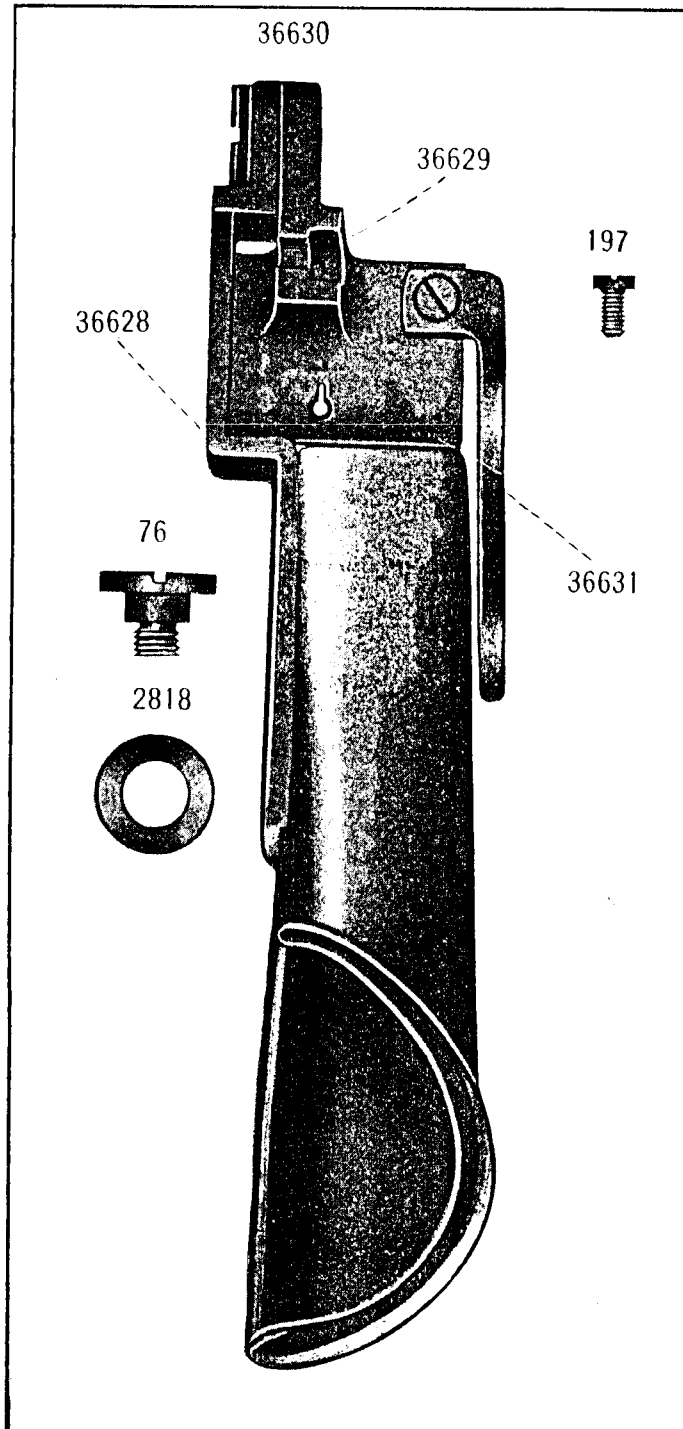


PLATE 6582—FULL SIZE

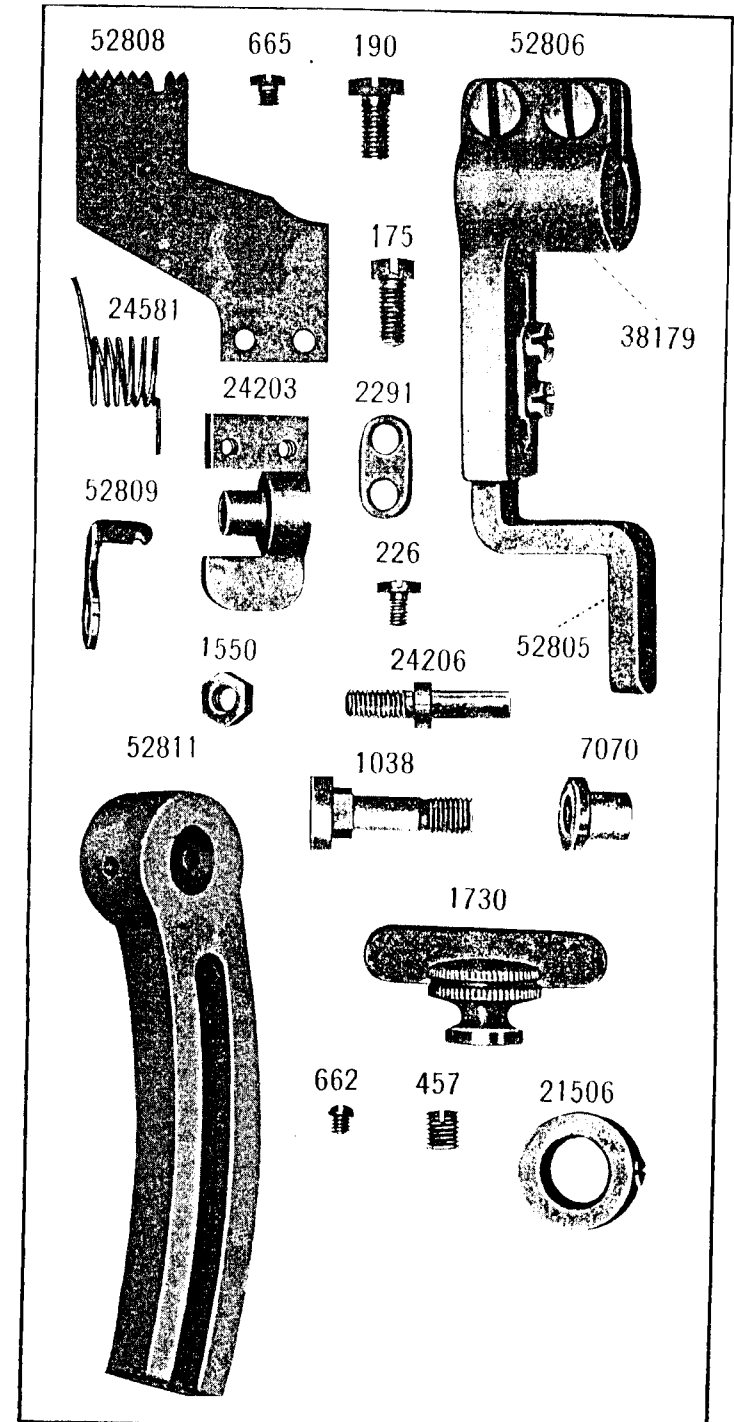


PLATE 6583—ONE-HALF SIZE

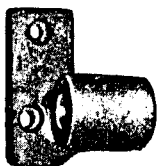
52813



52812



52814



52815

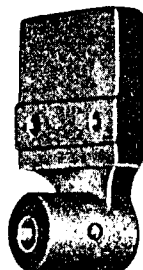


PLATE 6584—FULL SIZE

36627

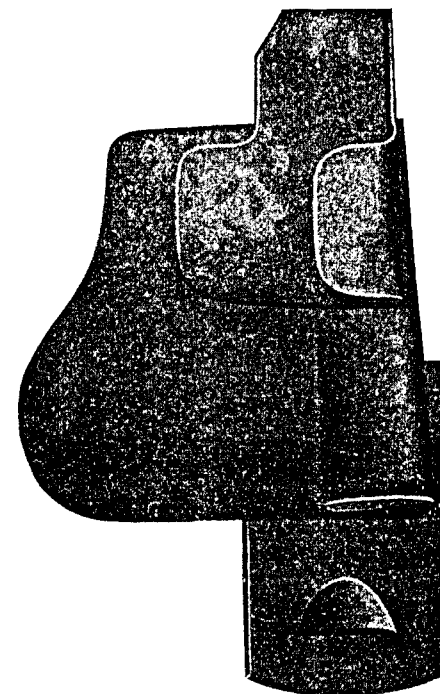


PLATE 6585—FULL SIZE

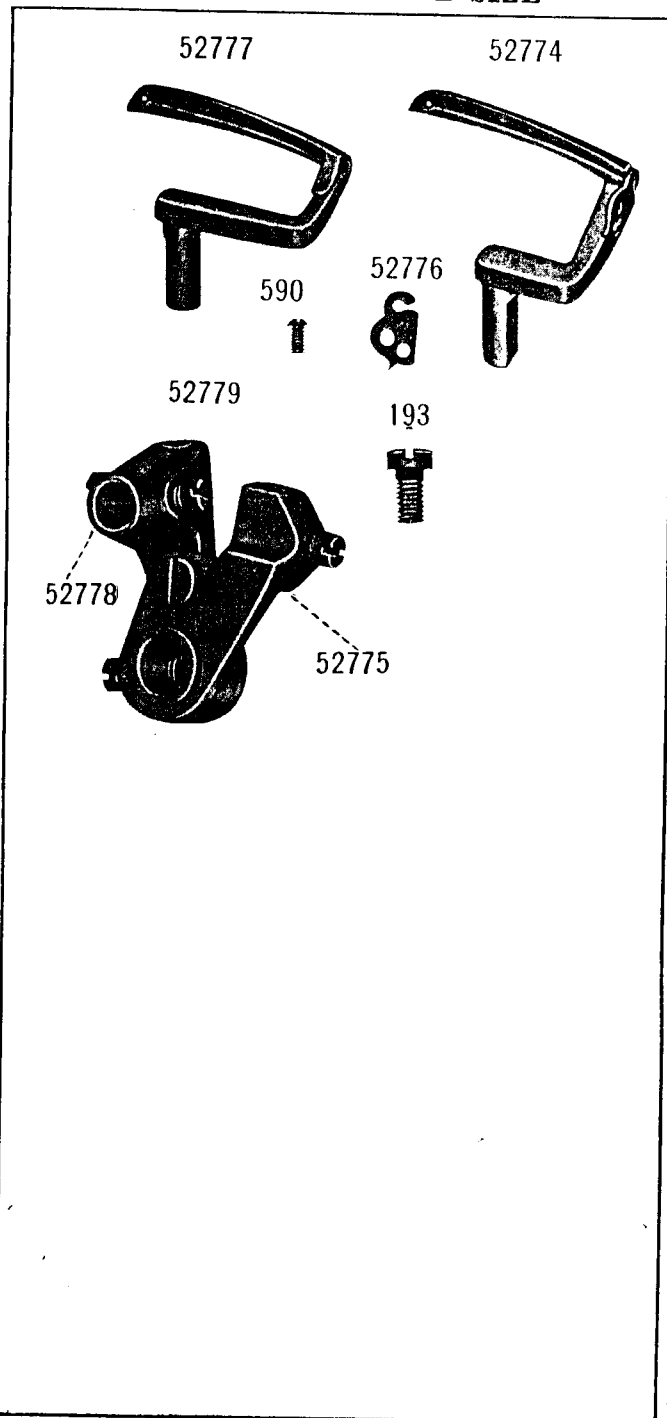


PLATE 6586—FULL SIZE

