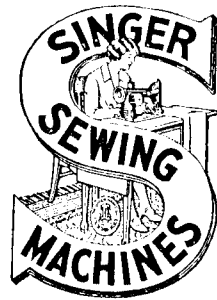


SINGER
108W7

LIST OF PARTS



MACHINE No. 108w7

THE SINGER MANUFACTURING COMPANY

INDEX

	PAGE
ACCESSORIES	16
BINDER	18
BOBBIN WINDER	16
KNEE LIFTER	17
KNIFE GRINDER	19
MACHINE No. 108w7	7
NUMERICAL LIST OF PARTS	21
RIBBON REEL	20

Instructions for Ordering

In ordering from this list, use **ONLY** the **PART** number in the **FIRST** column

The number stamped on a Sewing Machine Part is the number of the Single Part only, except when the part includes Set Screws, Clamping Screws, Studs and Rollers Spun on, Small Wires riveted, or Parts soldered together, etc., which it is necessary to furnish in combination.

Every combination of parts sent out has its specific number which, although not stamped on Parts (except in above cases) must be used when ordering the combination.

Each number always indicates the **SAME PART** in whatever list it appears, or for whatever Machine.

The letters after some of the numbers indicate the style of finish only, as follows:

- A. Hardened, Polished and Plated.
- B. Polished and Plated.
- C. Hardened only.
- D. Polished only.
- E. Soft, not polished.
- F. Hardened and Polished.
- H. Blued.

These letters **MUST BE USED** when they appear in the list and **AFTER** the number, as in the list.

In this series

200001 to 201500 are Screw Numbers.

201501 to 201800 are Nut Numbers.

201801 to 202000 are Roller Numbers.

202001 and upward are numbers of Machine Parts.

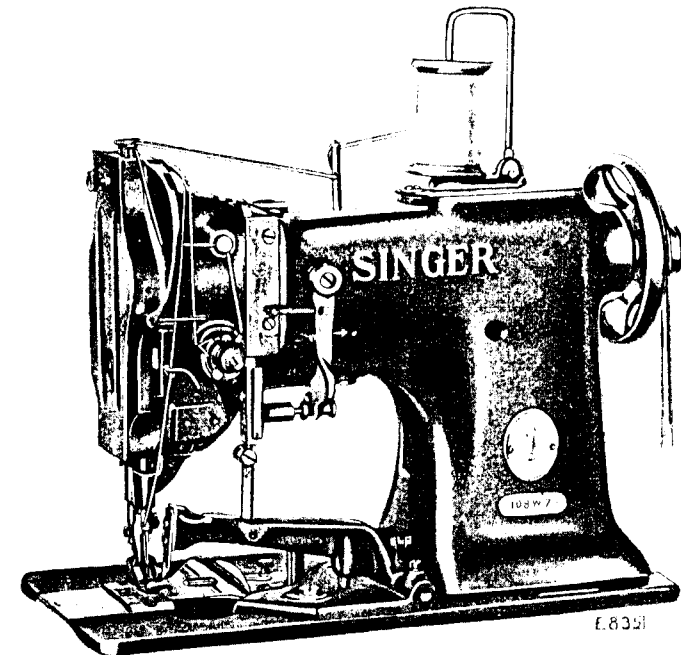
The figures in the second column refer only to the plate in which the illustration of the part is shown and are **NOT TO BE USED** in ordering.

Two or more numbers over a cut indicate that the difference between such parts is not visible in an illustration.

Parts marked with an asterisk (*) are furnished only when repairs are made at the factory.

LIST OF PARTS COMPLETE

FOR



MACHINE No. 108w7

For Trimming and Binding Corsets, Brassiers,

Dresses and other similar work,

at one operation

No.	Plate	Name
*247786	---	Arm
203091	13465	" Cap
200278H	13467	" " Screw
202248	13467	" " " Washer
203089	13465	" " Spool Holder Base
203090	13465	" " " " " " 203089 with 200079H and 204296
200585H	11672	Arm Cap Spool Holder Base Screw
204296	13465	" " " " Wire
200079H	10668	" " " " " Hinge Screw

No.	Plate	Name
203092	—	Arm Cap and Spool Holder complete, Nos. 203090, 203091 and two 200585u
204235	13467	Arm Position Pin (2)
200010E	11672	" Screw (3)
202005	11672	" " Washer (3)
208523	13466	" Shaft
202243	13465	" " Bushing (back) with 202244
202244	—	Arm Shaft Bushing (back) Oil Packing (wick)
200338c	13467	Arm Shaft Bushing (back) Set Screw
207080	13465	Arm Shaft Bushing (front) with 202244
202244	—	Arm Shaft Bushing (front) Oil Packing (wick)
200502B	13467	Arm Shaft Bushing (front) Oil Packing Thumb Screw
200338c	13467	Arm Shaft Bushing (front) Set Screw
224513	13465	Arm Shaft Connection Belt
224514	13465	" " " " Pulley with 200327c, 200602E and two 202253
200602E	13467	Arm Shaft Connection Belt Pulley Position Screw
200327c	13467	Arm Shaft Connection Belt Pulley Set Screw
202253	13467	Arm Shaft Connection Belt Pulley Spring Flange
208573	13465	Arm Shaft Counter Balance with 200335c
200335c	13467	Arm Shaft Counter Balance Set Screw
202255	13466	Balance Wheel (belt groove 2½ in. diam.) with 200328c and 200335c
200328c	13467	Balance Wheel Position Screw
200335c	13467	" " Set Screw
*247751	—	Bed with 224517 and three 200582u
202258	12345	" Hinge Connection (2)
200570E	11672	" " " Screw (4)
210616	13465	" Slide (front)
247752	13468	Binder Base Plate with five 247754
200577H	11672	" " " Screw
247753	13468	" Guard
201498B	13467	" " Screw

No.	Plate	Name
208305	13467	Binder Head, .035 in. opening, for tapes or folded strips from ½ to ¾ in., in steps of ⅓ inch
208326	13467	Binder Head Adjusting Lever
200292F	13467	" " " Hinge Screw
208327	13467	Binder Head Adjusting Lever Hinge Screw Washer
200133D	13467	Binder Head Screw
208318	13467	" " Slide Block
247754	13467	" Tape Tension Pin
247755	—	Binder complete, .035 in. margin, for tapes or folded strips from ½ to ¾ in., in steps of ⅓ in., Nos. 200292F, 201498B, 208305, 208318, 208326, 208327, 247752, 247753 and two 200133D
202265	13467	Bobbin
*202806	—	" Case
202267	13467	" " Latch
*202056	—	" " " Pin
202269	13467	" " " Plunger
202270	13467	" " " Spring
202716	13467	" " Tension Spring
200984c	13467	" " " " Regulating Screw
200594c	13467	Bobbin Case Tension Spring Screw
202533	—	Bobbin Case complete, Nos. 200594c, 200984c, 202056, 202267, 202269, 202270, 202716 and 202806
208535	13466	Face Plate
202135	11672	" " Position Pin
200462B	11672	" " Thumb Screw
208538	11672	Feed Driving Connection (brass) with 202277
202277	—	Feed Driving Connection Oil Packing (wick)
208539	11672	Feed Driving Connection Stud (eccentric) with 202254
202254	—	Feed Driving Connection Stud Oil Packing (wick)
200362c	11672	Feed Driving Connection Stud Set Screw
208331	11675	Feed Driving Eccentric Regulating Bracket
224515	—	Feed Driving Eccentric Regulating Bracket 208331 with 224514, two each 201014c and 201525E
202301	13469	Feed Driving Eccentric Regulating Bracket Plunger

No.	Plate	Name
247766	—	Knife Driving Slide Locking Plunger Bracket 247765 with 247764, 247768, 247769 and 247787
200075E	13471	Knife Driving Slide Locking Plunger Bracket Screw (2)
213940	13471	Knife Driving Slide Locking Plunger Bracket Screw Washer (2)
247768	13471	Knife Driving Slide Locking Plunger Head
247787	13471	Knife Driving Slide Locking Plunger Head Pin
247769	13471	Knife Driving Slide Locking Plunger Spring
200076D	13471	Knife Screw
247770	13470	" Throw-out Lever
200247E	13471	" " " Hinge Screw
249659	13471	" " " Spring
201218E	13471	" " " Screw
200653C	11674	" " " Stop Screw
208545	11672	Lifting Bell Crank
224628	13470	" " " Driving Crank
208547	13471	" " " " " " Link
202277	—	Lifting Bell Crank Driving Crank Oil Packing (wick)
201012C	11672	Lifting Bell Crank Driving Crank Position Screw
200374C	10668	Lifting Bell Crank Driving Crank Set Screw
200996C	11673	Lifting Bell Crank Stop Screw
224629	—	" Presser Foot Plate
224630	—	" " " Shank
224631	13472	Lifting Presser Foot (hinged) complete, Nos. 224629 and 224630
200074E	11672	Lifting Presser Foot Screw
224654	13472	" " " Spring (flat)
200175H	13472	" " " " Screw
224632	13470	Needle Bar with 200141E
208549	13466	" " and Needle Plate Carrier Frame with 200362C, 200997C and 208550
224517	13471	Needle Bar and Needle Plate Carrier Frame Hinge Bearing
200582H	10252	Needle Bar and Needle Plate Carrier Frame Hinge Bearing Screw (3)
200999C	11673	Needle Bar and Needle Plate Carrier Frame Hinge Screw
200998C	11673	Needle Bar and Needle Plate Carrier Frame Hinge Screw Stud

No.	Plate	Name
208550	11673	Needle Bar and Needle Plate Carrier Frame Hinge Screw Stud Bushing (split)
200997C	11673	Needle Bar and Needle Plate Carrier Frame Hinge Screw Stud Bushing Position Screw
202277	—	Needle Bar and Needle Plate Carrier Frame Hinge Screw Stud Oil Packing (wick)
208551	11673	Needle Bar Connecting Link
208552	11673	" " " Stud with 200086C and 202330
202330	—	Needle Bar Connecting Stud Oil Packing (wick)
200086C	11673	Needle Bar Connecting Stud Pinch Screw
247773	13470	Needle Bar Crank with 200335C, 200374C, 200428C and 201012C
247774	—	Needle Bar Crank 247773 with 200996C, 202398, 202400, 208545, 208547, 208551, 208552, 208555, 208557, 224624, 224628, 224643 and 224644
203172	11673	Needle Bar Crank Friction Washer
200428C	11673	" " " Position Screw
200335C	13467	" " " Set Screw
208315	13472	" Plate, 50 needle hole, for needle sizes 14 and 15
201387E	13471	Needle Plate Screw
224635	13470	" " Slide Plate (adjustable)
200054E	13471	Needle Plate Slide Plate Screw (2)
202101	11674	" " " " " Washer (2)
200141E	11674	Needle Set Screw
208554	11674	Oil Leader (brass) (for back hook shaft bearing)
208566	13470	Presser Bar with 200074E
208567	11673	" " Bushing
201007C	13471	" " " Set Screw
202339	11674	" " Lifter
200653C	11674	" " " Hinge Screw
208555	11673	" " Lifting Bracket with 200054E
200975E	11674	Presser Bar Lifting Bracket Guide Screw
200054E	13471	Presser Bar Lifting Bracket Pinch Screw

No.	Plate	Name
208556	11674	Presser Bar Spring
200494B	11674	" " Thumb Screw (pressure regulating)
200475B	10668	Presser Bar Thumb Screw Thumb Set Screw
202355	10668	Presser Bar Thumb Screw Thumb Set Screw Packing (brass)
224636	13472	Presser Foot (auxiliary)
224637	13471	" " " Guide Collar with 201397E
201397E	13473	Presser Foot (auxiliary) Guide Collar Screw
224638	13471	Presser Foot (auxiliary) Spring ..
201398c	13473	" " " " Stop Screw
202397	10668	Take-up (auxiliary)
200842E	10668	" " Screw
202398	13473	" Lever
208557	11673	" " Driving Stud with 202277
202277	---	Take-up Lever Driving Stud Oil Packing (wick)
202400	13473	Take-up Lever Hinge Stud with 202423
202423	---	Take-up Lever Hinge Stud Oil Packing (wick)
200383c	13469	Take-up Lever Hinge Stud Set Screw
208558	11674	Take-up Lever Oil Guard with 223655 and 224572
200161H	13473	Take-up Lever Oil Guard Screw ..
223655	---	" " Oiling Felt
224572	13473	" " " " Rivet ..
244007	13473	Tension Disc (back)
244008	13473	" " (front)
202404	13473	" Release Plunger
233629	13473	" " Slide
208560	11675	" " " Spring
202405	13473	" " Washer
202407	10881	" Spring
200625F	13473	" Stud with 204925
200061c	13469	" " Set Screw
204925	10668	" " Washer
201572B	10881	" Thumb Nut
202409	10252	Tension complete, Nos. 200625F, 201572B, 202405, 202407, 202410, 244007 and 244008

No.	Plate	Name
202410	10252	Thread Controller Spring
202411	10252	" " " Stop
200132E	13473	" " " " Screw
208574	11675	" Guide
202412	10252	" "
202415	10252	" "
208569	11675	" "
200582H	10252	" " Screw
200389c	10252	" " Set Screw
202091	10252	" Retainer Sleeve
202092	10252	" " Spring
204058	10252	" " Stud
200366H	10252	" " " Set Screw
204059	10668	Thread Retainer complete, Nos. 202091, 202092 and 204058
247775	13472	Throat Plate Body with 202534 and two 200582H
202534	10668	Throat Plate Bobbin Case Stop
200582H	10252	" " " " " Screw
247776	13472	Throat Plate Knife Cutting Plate, for $\frac{3}{8}$, $\frac{5}{8}$, $\frac{1}{2}$ and $\frac{3}{4}$ in. trimming margin (state margin required)
200145c	13469	Throat Plate Knife Cutting Plate Screw
247780	13472	Throat Plate complete, for $\frac{3}{8}$, $\frac{5}{8}$, $\frac{1}{2}$ and $\frac{3}{4}$ in. trimming margin, Nos. 247775, 247776 and two 200145c (state margin required)
200577H	11672	Throat Plate Screw (2)
224643	13473	Vibrating Presser Bar
224644	13473	" " " Connecting Link
202277	---	Vibrating Presser Bar Oil Packing (wick)
224645	13472	Vibrating Presser Foot with 200175H, 201015F and 224654 ...
201015F	11675	Vibrating Presser Foot Pinch Screw

ACCESSORIES

No.	Plate	Name
202265	13467	Bobbin (5)
*225482	—	" Case Screw Driver Blade ...
*225483	—	" " " " Handle ...
225497	12345	Bobbin Case Screw Driver complete, Nos. 225482 and 225483 ...
206934	13469	Knife (3)
247776	13472	Throat Plate Knife Cutting Plate, for $\frac{1}{8}$, $\frac{3}{16}$, $\frac{1}{4}$ and $\frac{5}{16}$ in. trimming margin (state margin required)
135 x1	—	Needles, six each, sizes 12 and 14
228222	—	Drip Pan with four 1 in. wire nails
41400	12345	Machine Rest Pin (wood)
120342	12345	Oiler with 120343
120343	12345	" Spout, $\frac{3}{4}$ in. long
*225484	—	Screw Driver Blade
*225485	—	" " Handle
225498	12345	Screw Driver complete (7 $\frac{1}{2}$ in. long), Nos. 225484 and 225485 ...
225554	12345	Wrench (steel)

BOBBIN WINDER

Swing Automatic, Right Hand

225453	10884	Frame with 202277 and 225438
225454	10884	" Hinge Pin
202277	—	" Oil Packing (wick)
225438	10884	" " Well Cap
225455	10884	" Spring
225456	10884	" " Plunger
202473	10885	Pulley with 200380c
200380c	13473	" Set Screw
225381	10884	Spindle
225444	10884	Stop Latch
200056E	10884	" " Screw
225458	10884	" " Thumb Lever
225459	10884	" " " " Hinge Stud
225459	10884	" " " " Joint Stud
202478	10884	" " Trip Lever
200299H	10884	" " " " Hinge Screw
225461	10881	Tension Bracket with 201499B ...
200082D	10881	" " Screw
228026	10884	" " " Washer

No.	Plate	Name
2102	10881	Tension Disc
202407	10881	" Spring
201499B	10881	" Stud
201572B	10881	" Thumb Nut
225462	10881	Bobbin Winder Tension Bracket complete, Nos. 201572B, 202407, 225461 and two 2102
225433	10885	Bobbin Winder and Tension Bracket Base
225382	10885	Universal Bobbin Winder complete, Nos. 200056E, 200082D, 200299H, 202473, 202478, 225381, 225433, 225444, 225453 to 225456, 225458, 225462, 228026, two each 225459 and wood screws $\frac{3}{4}$ in., No. 12, R.H.B.

KNEE LIFTER

2763	13395	Rock Shaft
228278	13395	" " Hanger (back) with 356c
228279	—	Rock Shaft Hanger 228278 with 202452 and 228282
228280	13395	Rock Shaft Hanger (front) with two 356c
228281	—	Rock Shaft Hanger 228280 with 202452 and 228282
228282	13395	Rock Shaft Hanger Bracket with two wood screws $\frac{1}{2}$ in., No. 12 ...
202452	—	Rock Shaft Hanger Hinge Pin
228283	13395	" " Lifting Lever with two 356c
227728	13395	Rock Shaft Lifting Lever Rod with 227729
227729	—	Rock Shaft Lifting Lever Rod Cap
356c	—	" " " " " Set Screw
356c	—	Rock Shaft Lifting Lever Set Screw
202455	13395	" " Knee Arm
356c	—	" " " " Set Screw ..
228284	13395	" " " Plate with 356c ...
356c	—	" " " " Set Screw ..
356c	—	" " Set Screw
228285	13395	Knee Lifter Rock Shaft complete, Nos. 2763, 202455, 227728, 228279, 228281, 228283 and 228284

(Other Knee Lifter Parts are listed with parts of machine head.)

BINDER

No.	Plate	Name
247752	13468	Binder Base Plate with five 247754
247753	13468	" Guard
201498b	13467	" " Screw
208305	13467	" Head, .035 in. opening, for tapes or folded strips from $\frac{1}{2}$ to $\frac{3}{4}$ in., in steps of $\frac{1}{32}$ inch
208326	13467	Binder Head Adjusting Lever
200292f	13467	" " " " Hinge Screw
208327	13467	Binder Head Adjusting Lever Hinge Screw Washer
200133d	13467	Binder Head Screw
208318	13467	" " Slide Block
247754	13467	" Tape Tension Pin
247755	---	Binder complete, .035 in. opening, for tapes or folded strips from $\frac{1}{2}$ to $\frac{3}{4}$ in., in steps of $\frac{1}{32}$ in. Nos. 200292f, 201498b, 208305, 208318, 208326, 208327, 247752, 247753 and two 200133d

KNIFE GRINDER

No.	Plate	Name
206977	---	Emery Wheel, 2 in. diameter
206962	10957	" " Driving Shaft
201510b	10957	" " " " Nut
204101	10957	" " " " " Washer
206963	10957	Emery Wheel Driving Shaft Pulley with two 200403c
200403c	13473	Emery Wheel Driving Shaft Pulley Set Screw
244040	13470	Emery Wheel Guard
200054e	13471	" " " Screw
206969	---	" " Washer (paper)
206964	10957	Knife Grinder Frame with two 54897
54897	13473	" " " Oil Cup
206965	10957	" Holder Slide Bracket with 200394c, 200457b and 200473b ...
200457b	10957	Knife Holder Slide Bracket Adjust- ing Screw
206966	10957	Knife Holder Slide Bracket Adjust- ing Screw Slide Plate
200577h	11672	Knife Holder Slide Bracket Adjust- ing Screw Slide Plate Screw ...
200394c	10957	Knife Holder Slide Bracket Set Screw
206967	10957	Knife Holder Slide Bracket Shaft..
200473b	10957	" Set Screw
206968	---	Knife Grinder complete, Nos. 200577h, 201510b, 204101, 206962 to 206967, 206977, 244040, two each 200054e and 206969

RIBBON REEL

No.	Plate	Name
225663	13466	Ribbon Reel (9 in. diam.) with 225666
225664	13473	Ribbon Reel Supporting Spindle ...
225665	13466	" " " " Base with 225664 and two wood screws $\frac{3}{4}$ in., No. 7
230471	13473	Ribbon Reel Supporting Spindle Hub
225666	—	Ribbon Reel Supporting Spindle Hub 230471 with 225980
225980	13473	Ribbon Reel Supporting Spindle Hub Base
225976	—	Ribbon Reel (9 in. diam.) complete, Nos. 225663 and 225665

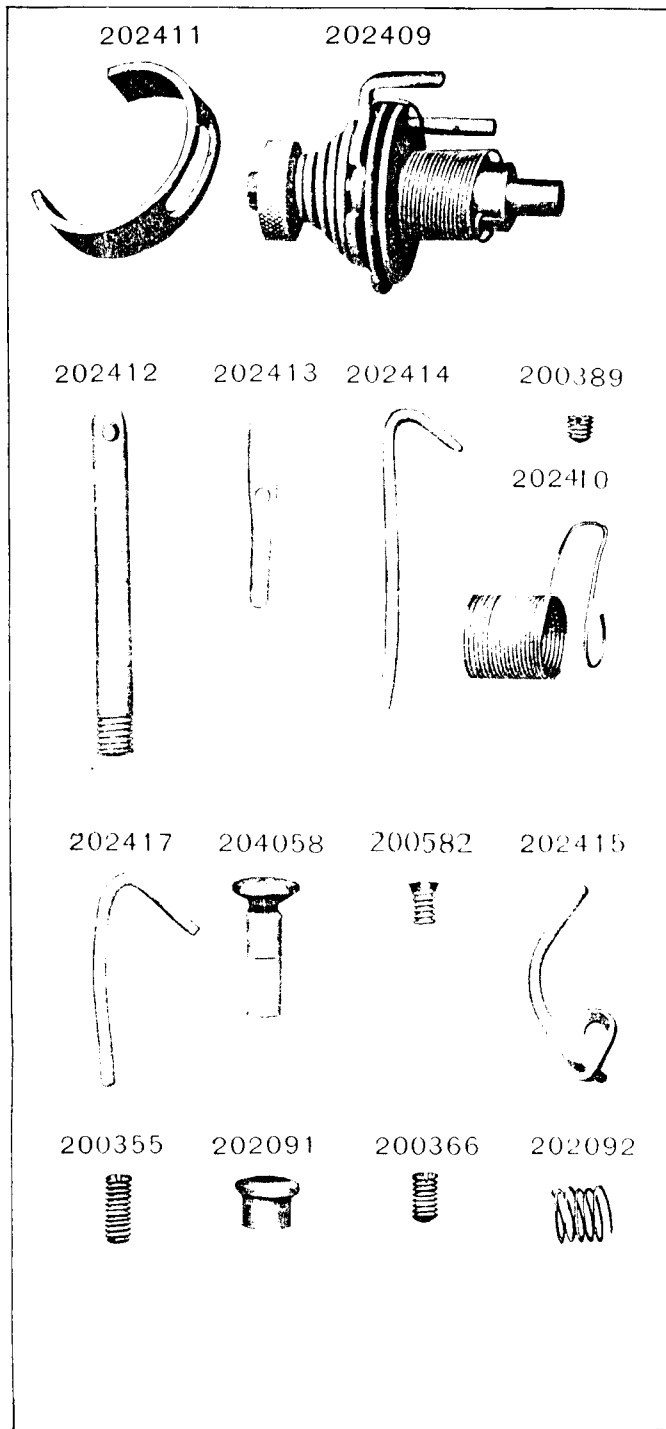


PLATE 10668—FULL SIZE

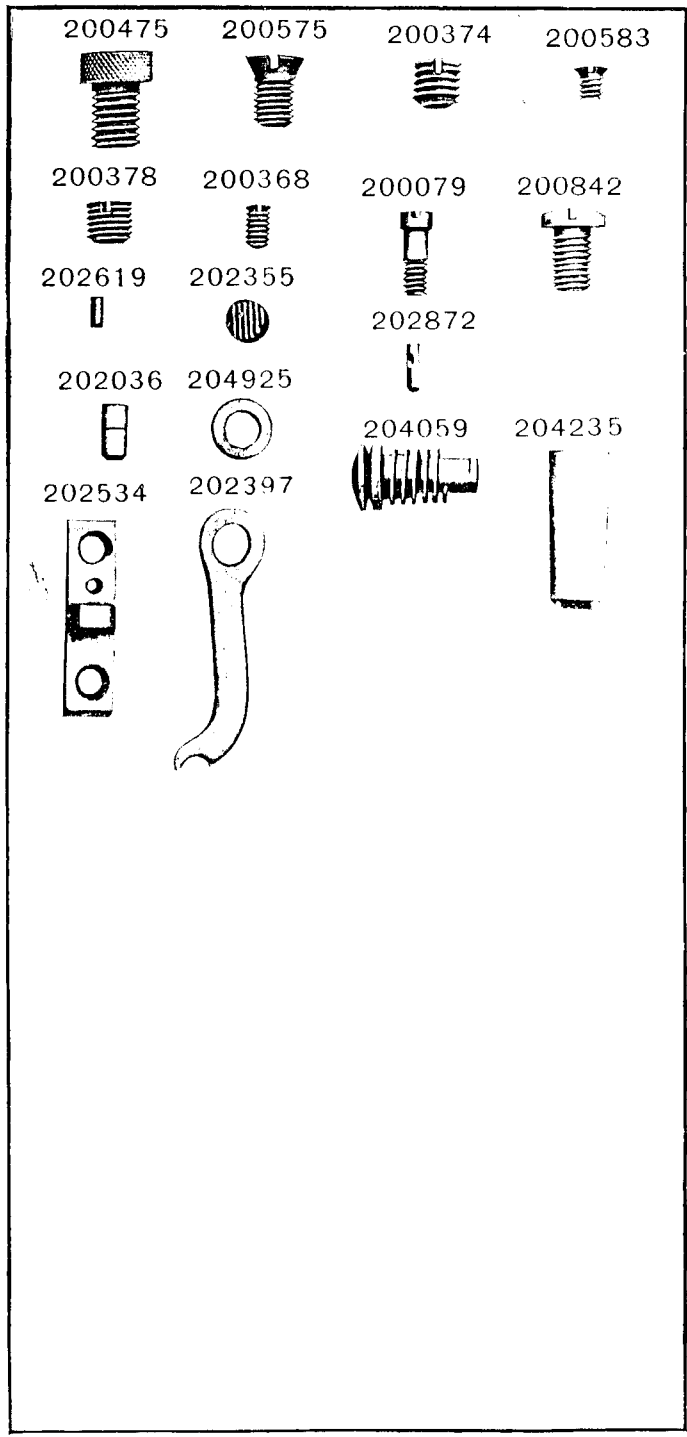


PLATE 10881—FULL SIZE

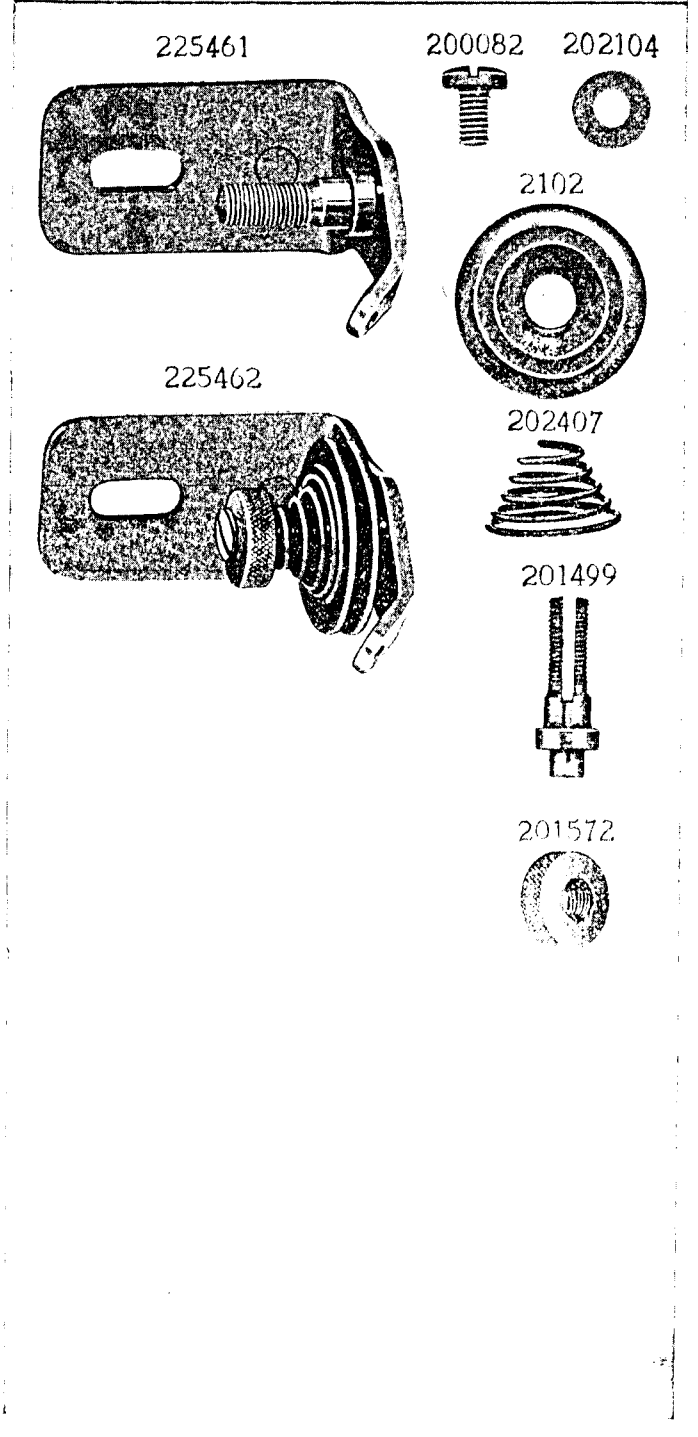
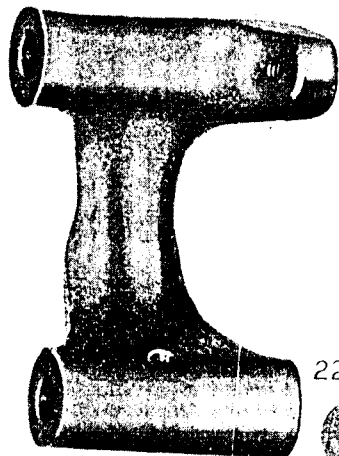


PLATE 10884—FULL SIZE

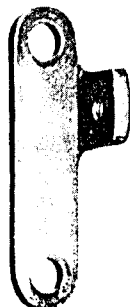
225453



225444



202478



228026



225458



225460



225454



200299



225438



200056



225459



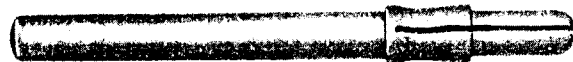
200105



225456



225381



225455



PLATE 10885—ONE-FOURTH SIZE

225433



202473



225382



PLATE 10957—ONE-HALF SIZE

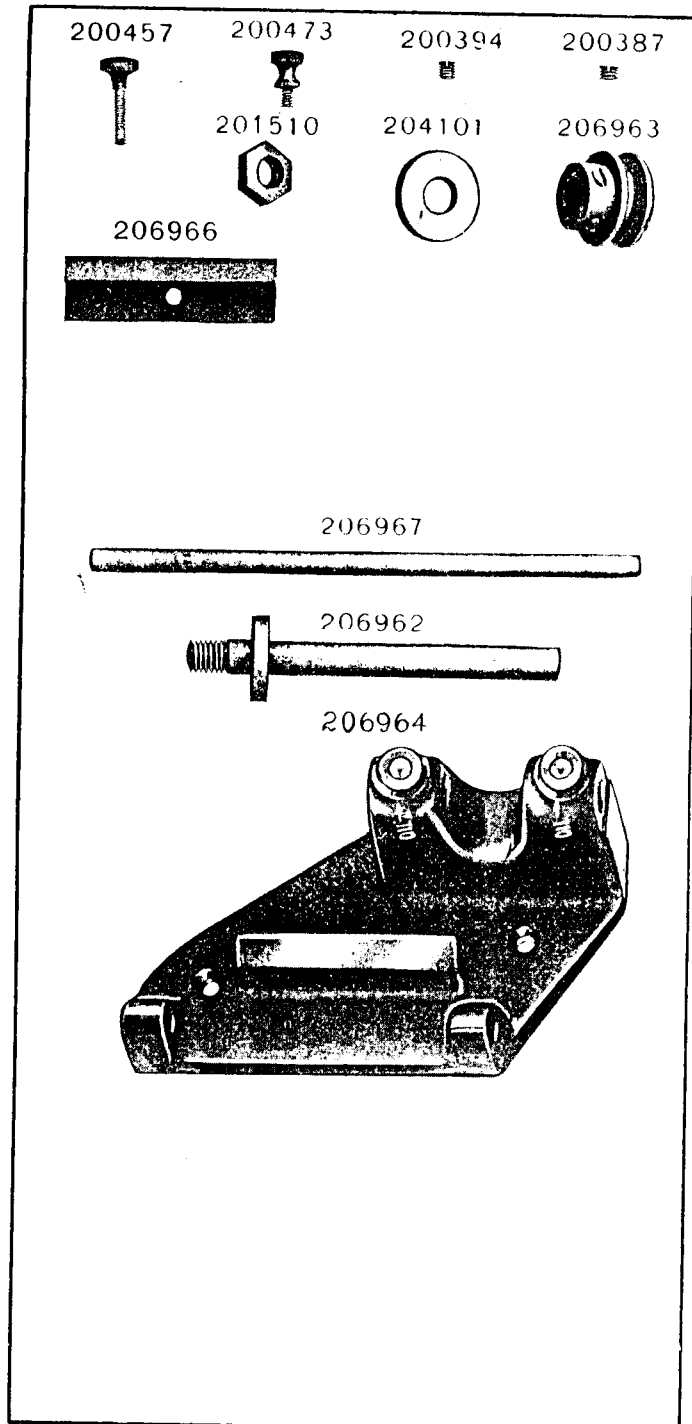


PLATE 11672—FULL SIZE

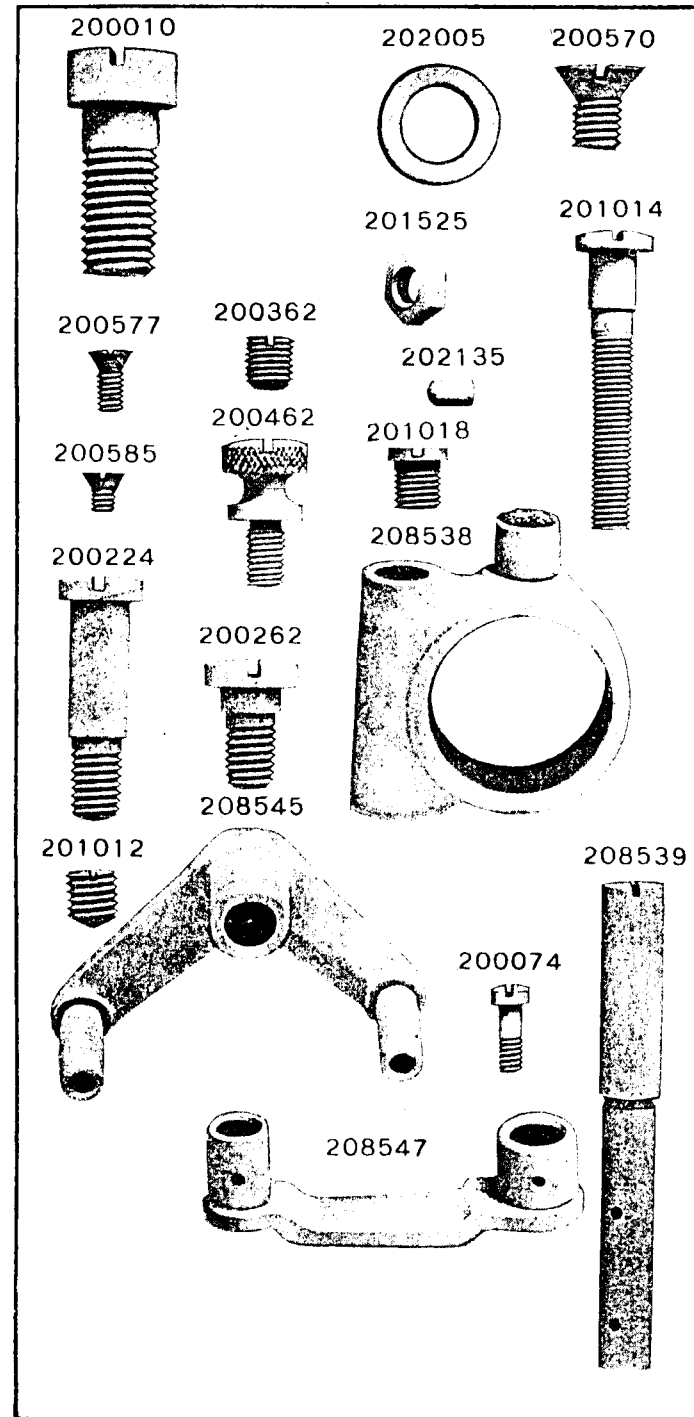


PLATE 11673-FULL SIZE

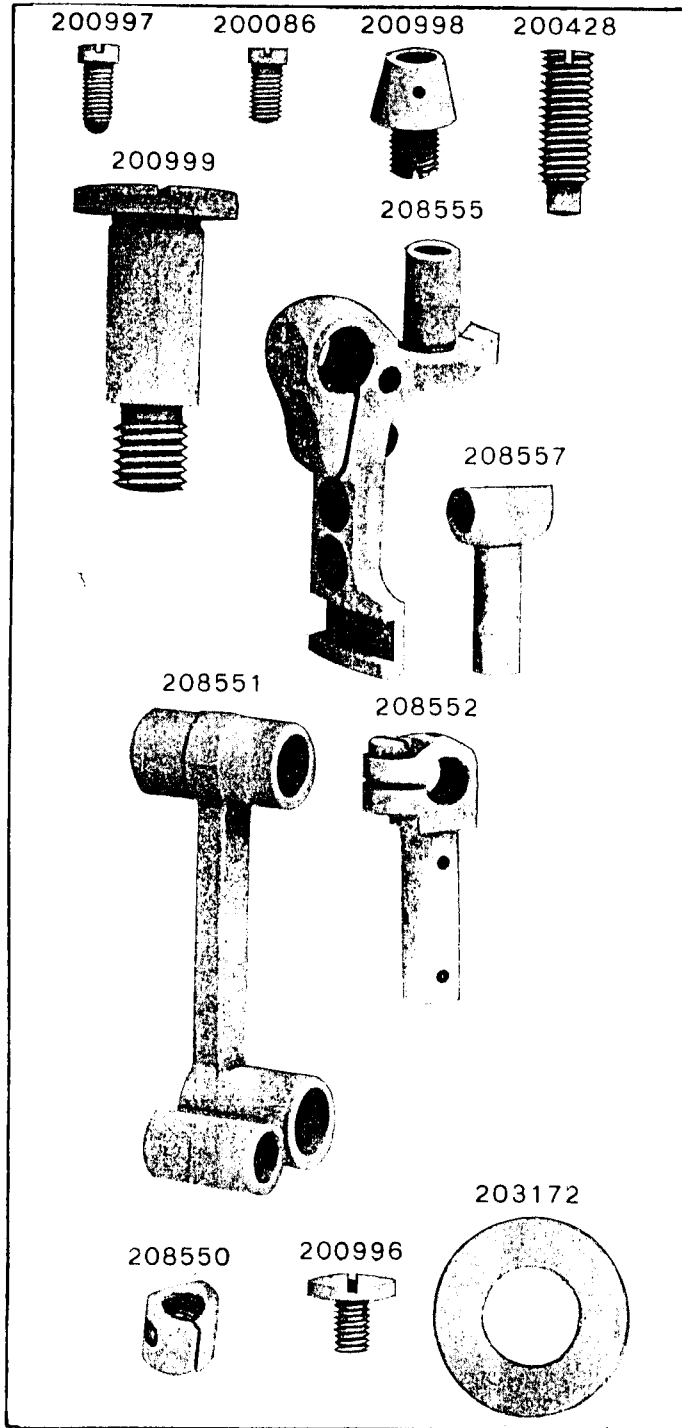


PLATE 11674-FULL SIZE

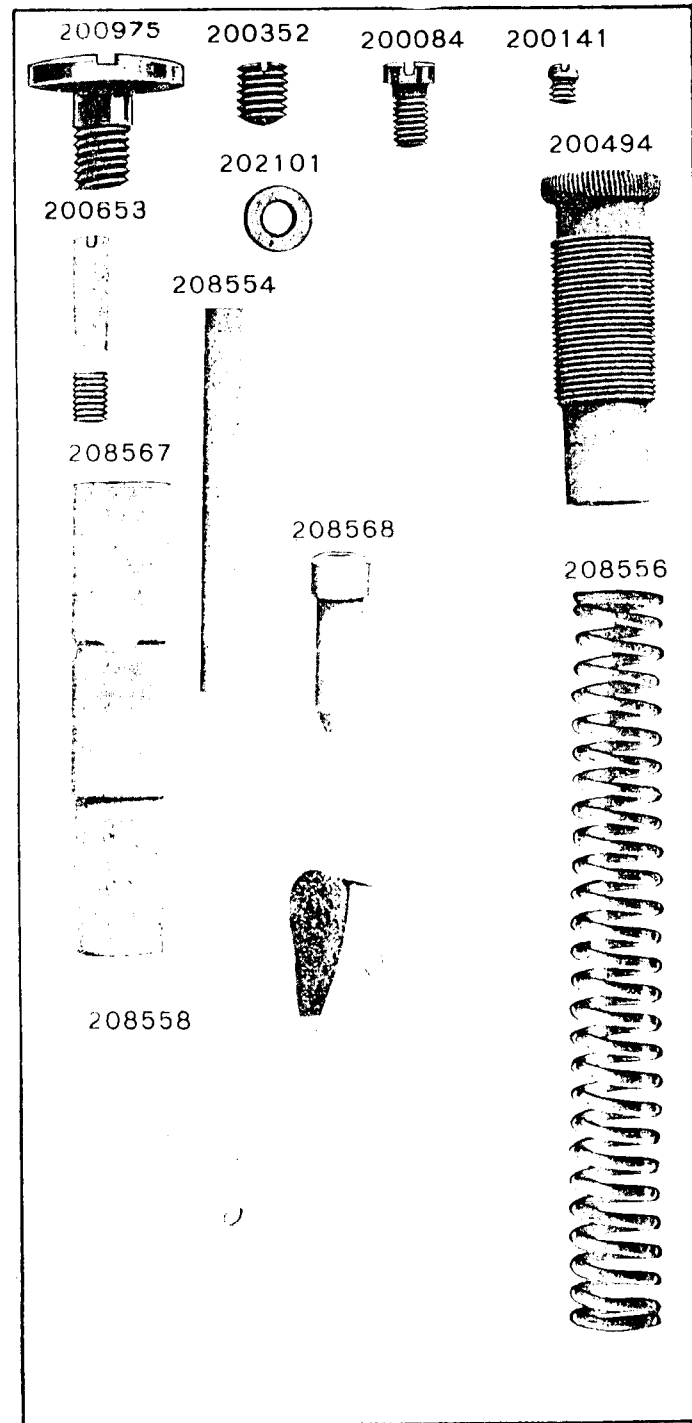


PLATE 11675—FULL SIZE

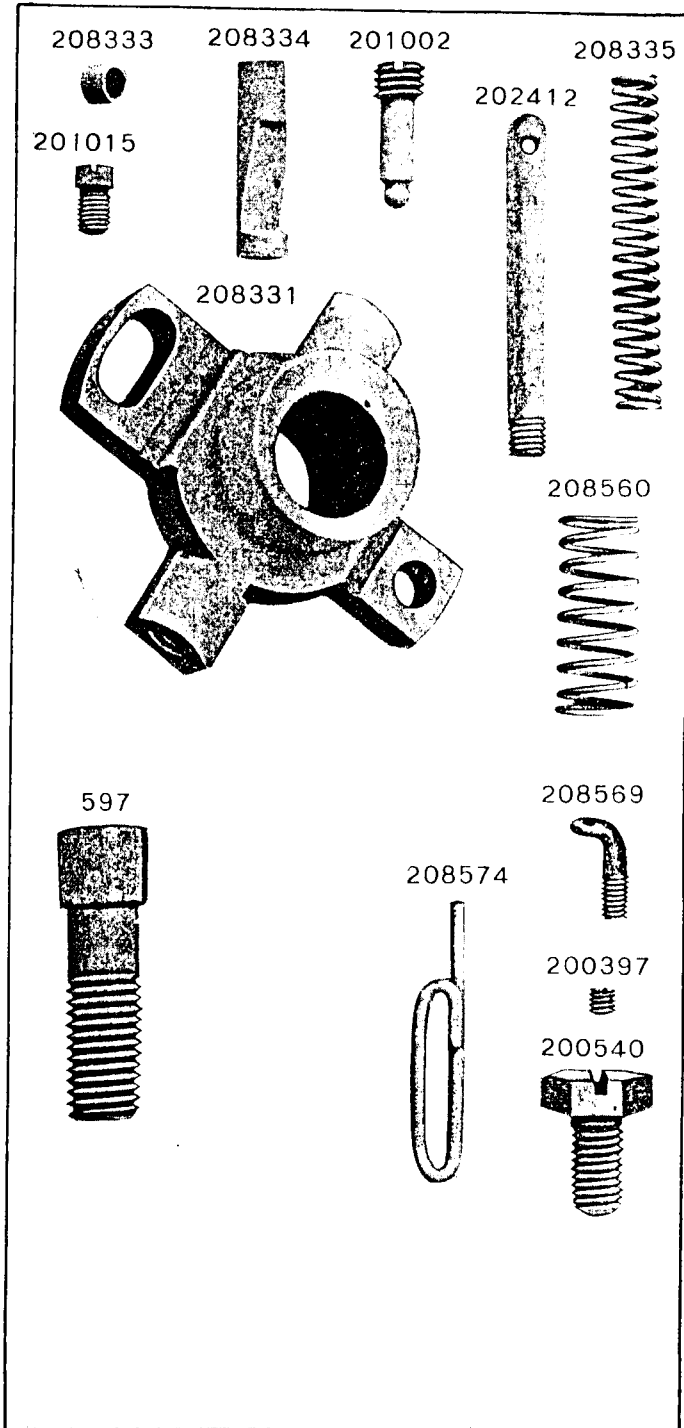


PLATE 12345—ONE-HALF SIZE

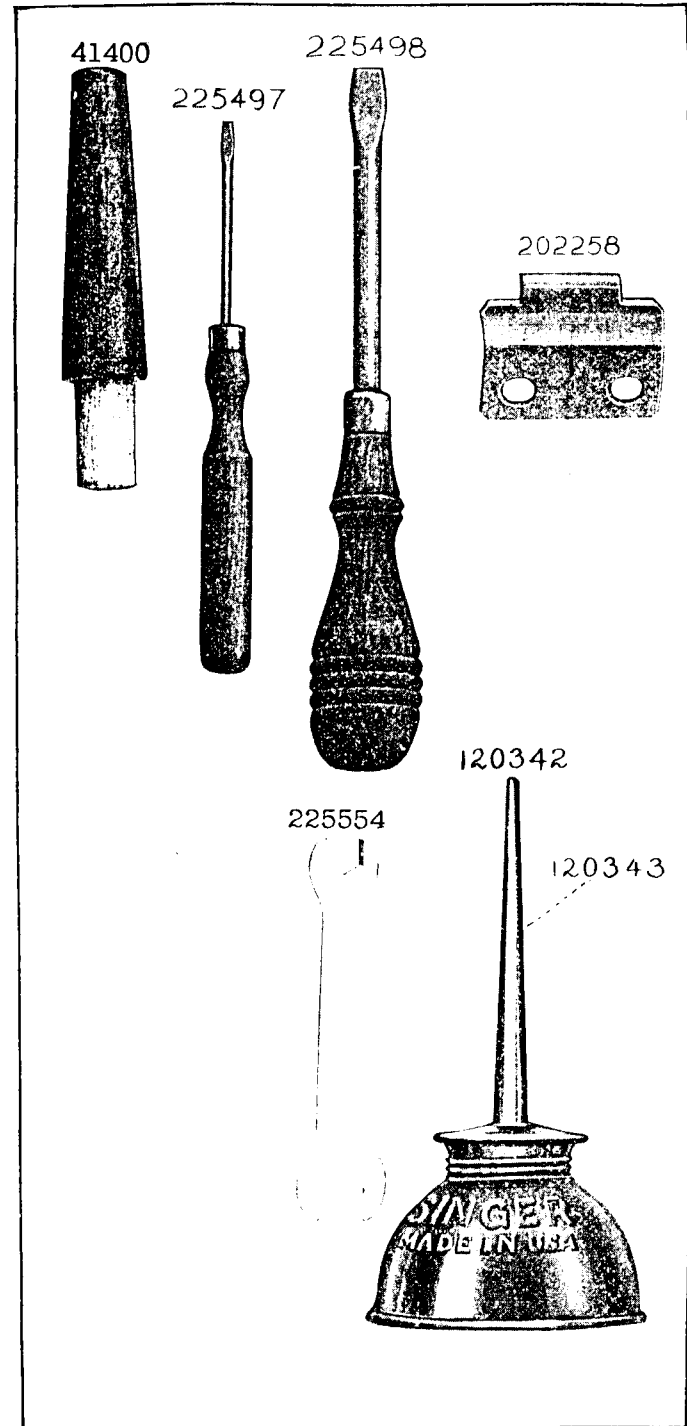


PLATE 13395—ONE-FOURTH SIZE

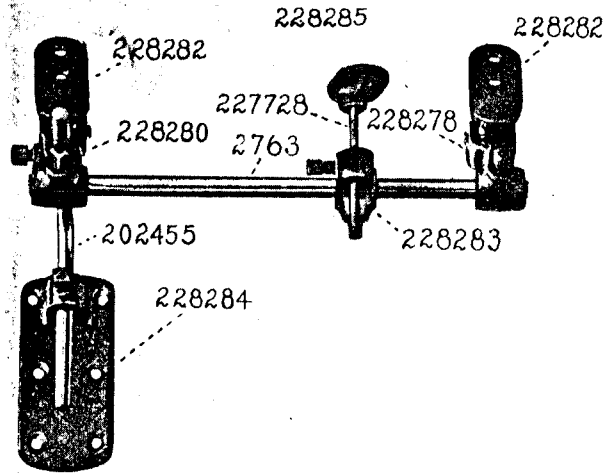


PLATE 13465—ONE-HALF SIZE

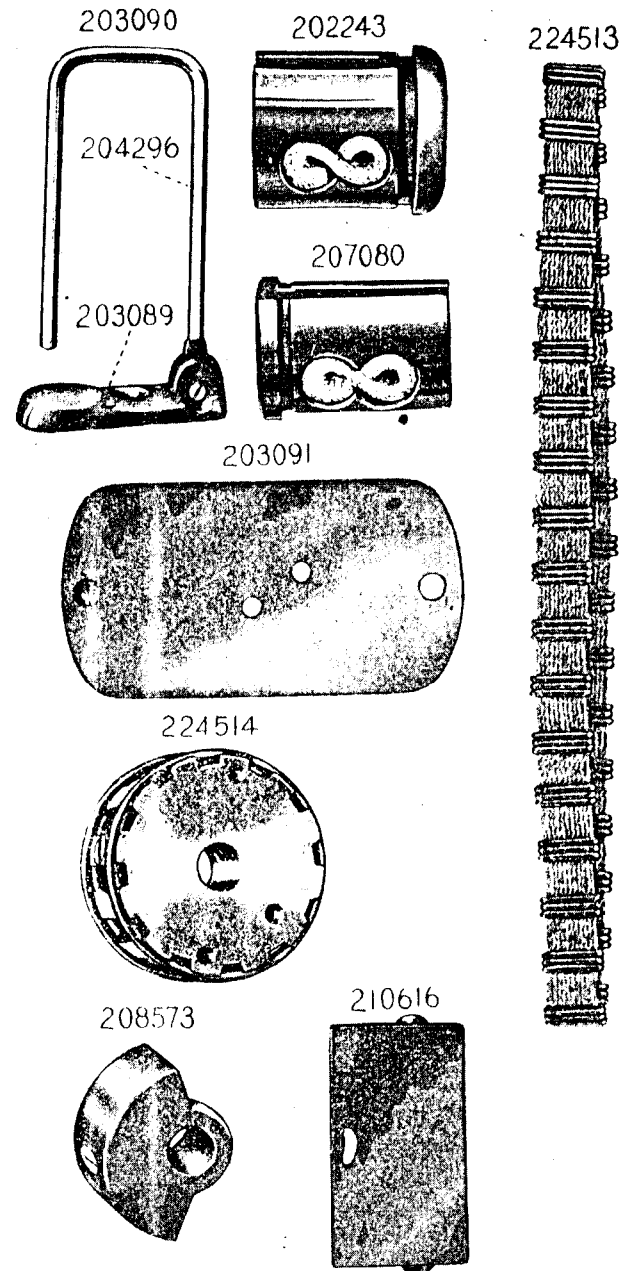


PLATE 13466—ONE-FOURTH SIZE

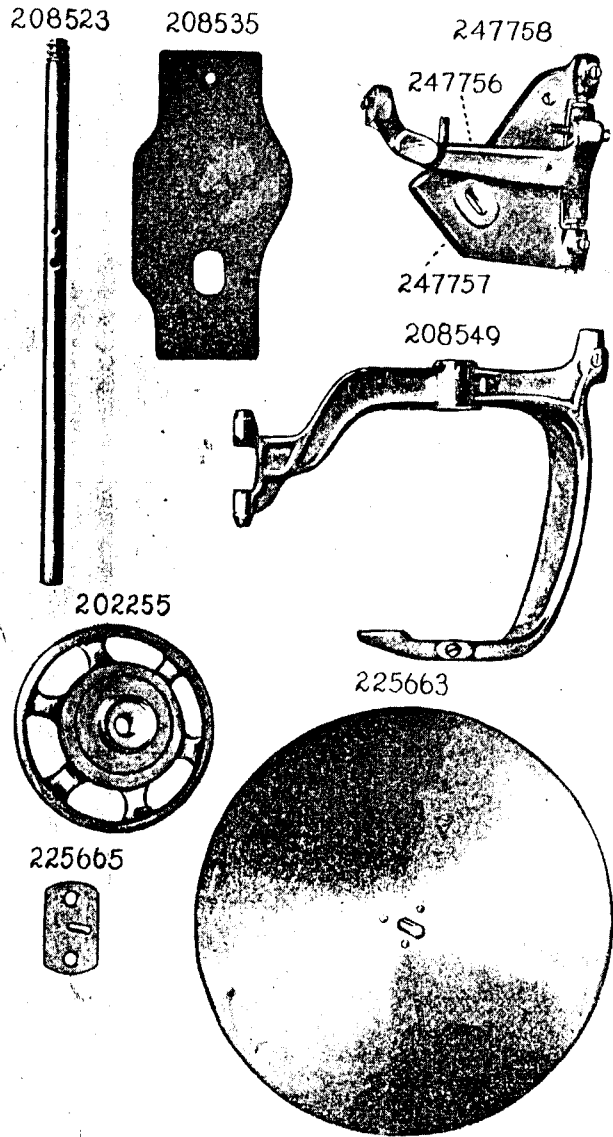


PLATE 13467—FULL SIZE

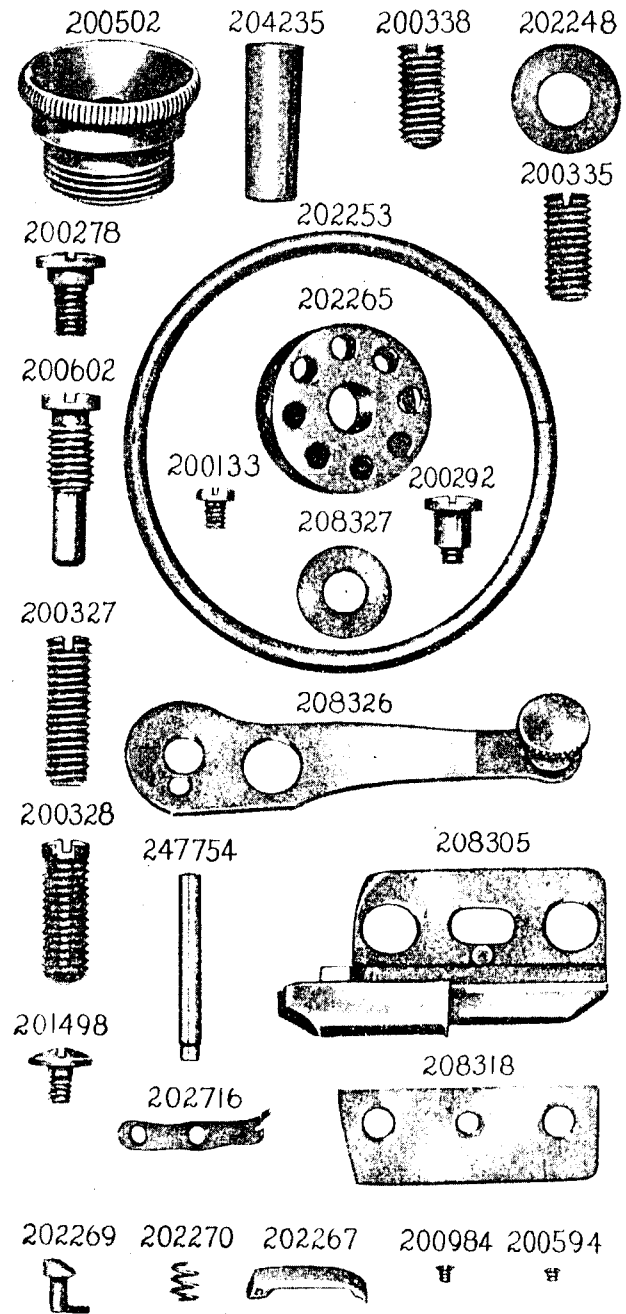


PLATE 13468—ONE-HALF SIZE

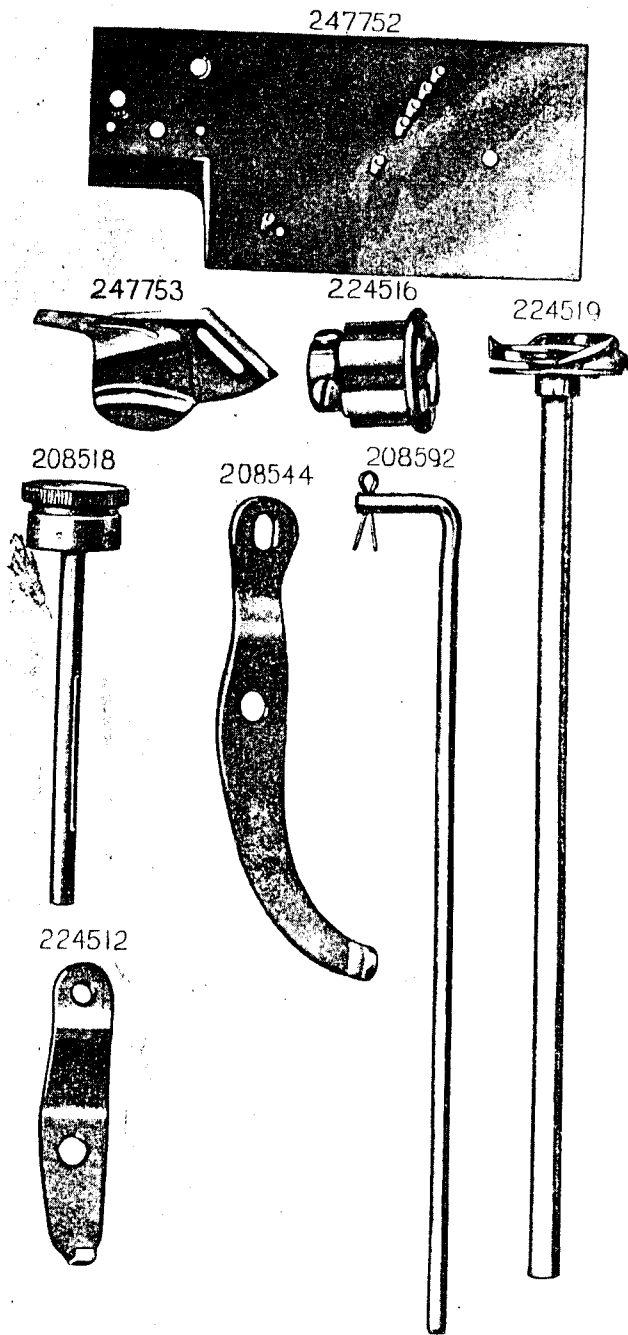


PLATE 13469—FULL SIZE

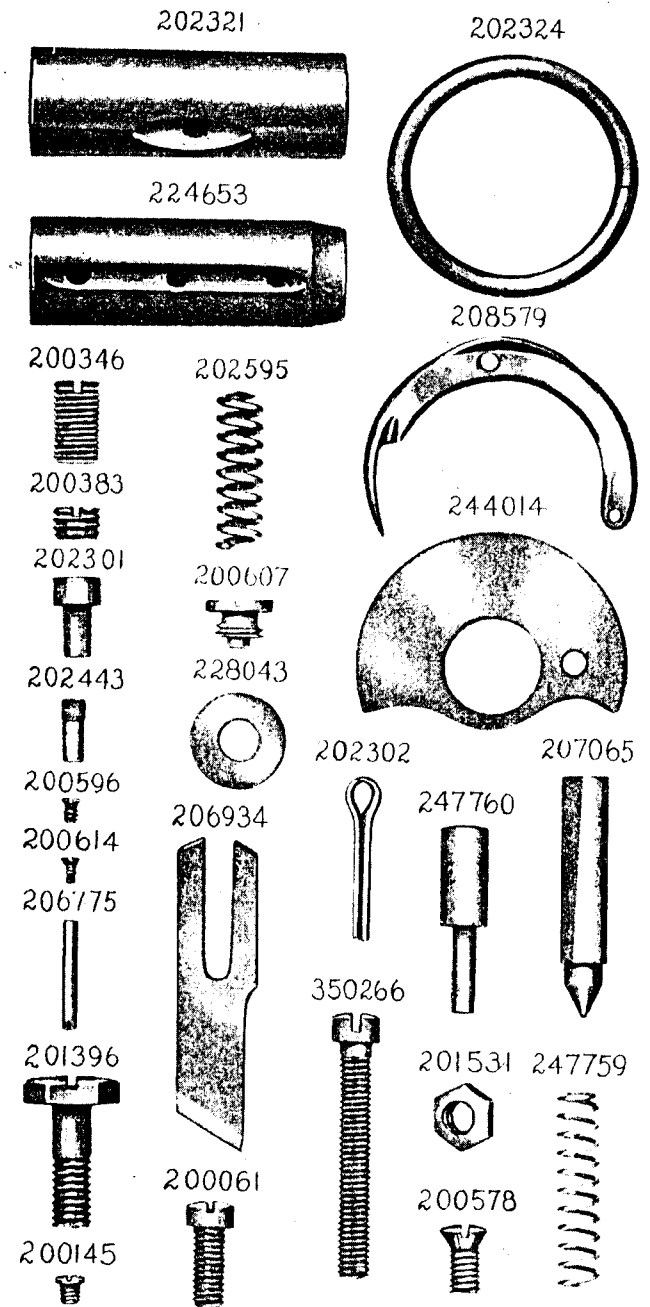


PLATE 13470—ONE-HALF SIZE

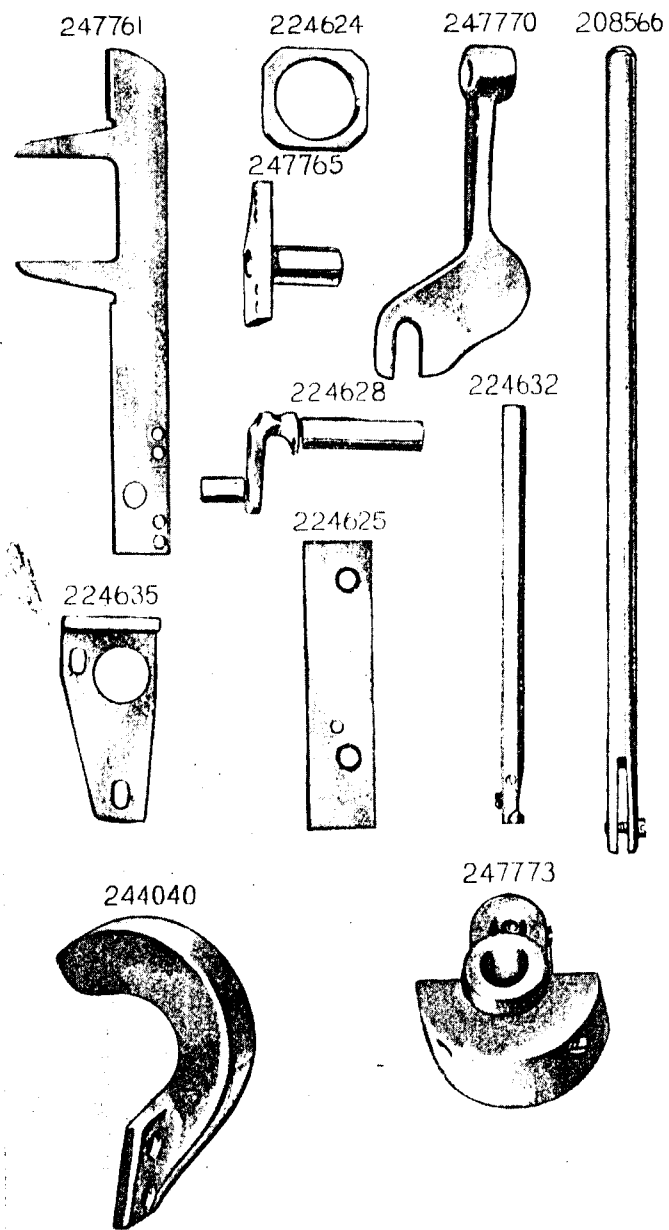


PLATE 13471—FULL SIZE

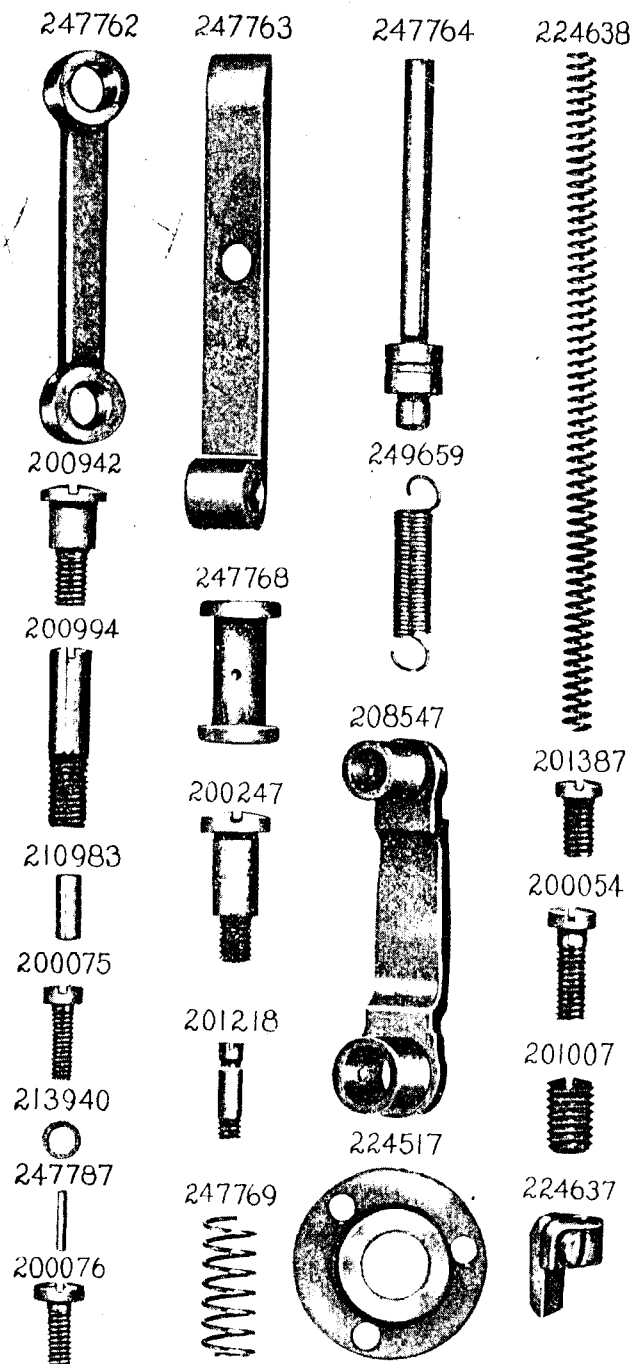


PLATE 13472—FULL SIZE

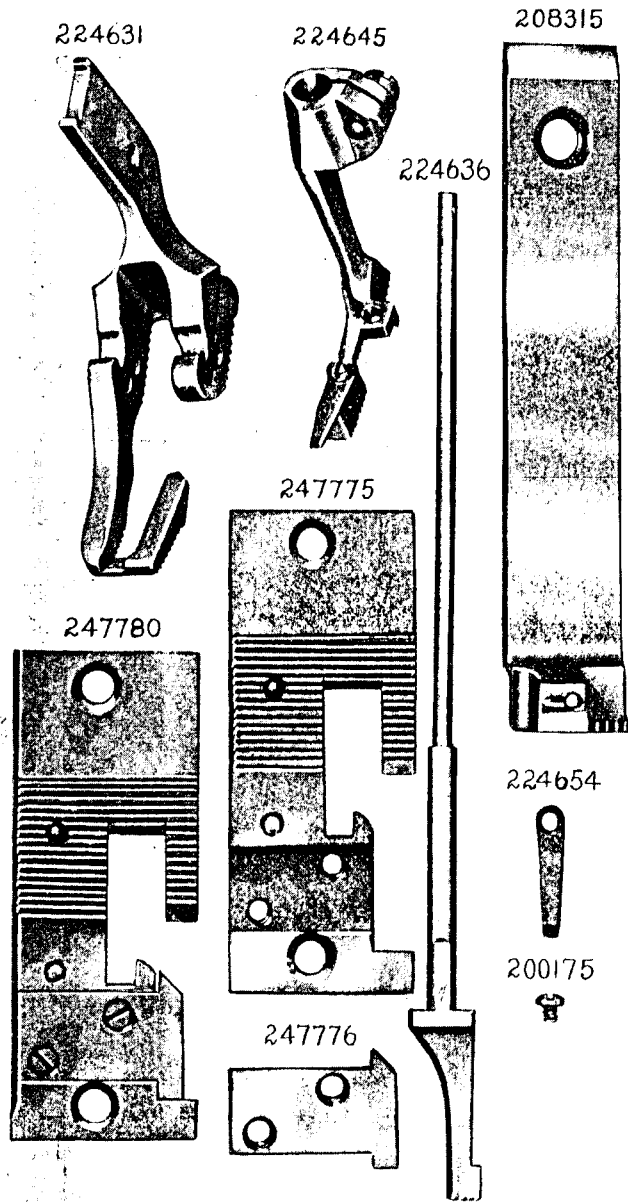


PLATE 13473—FULL SIZE

