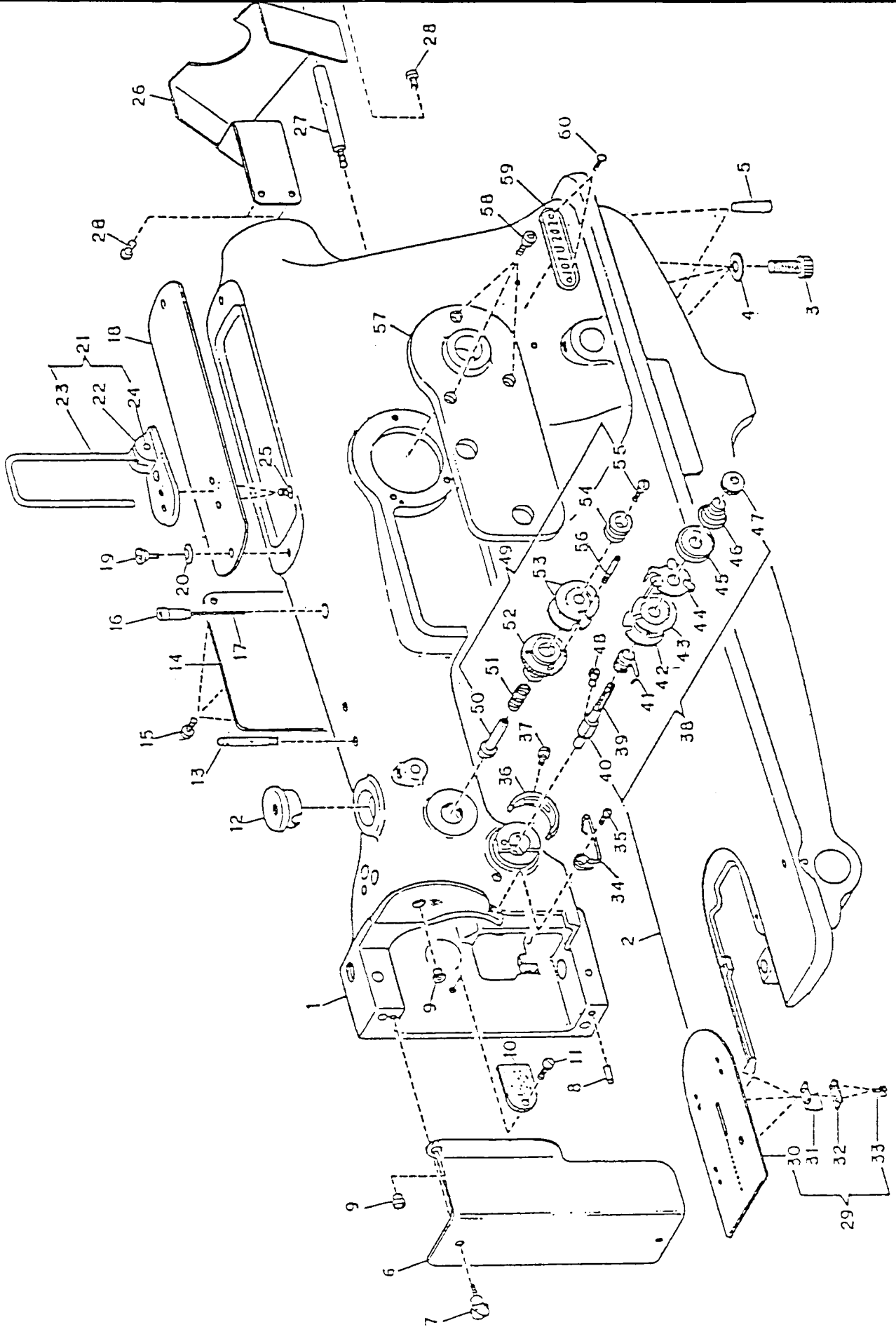


SINGER*

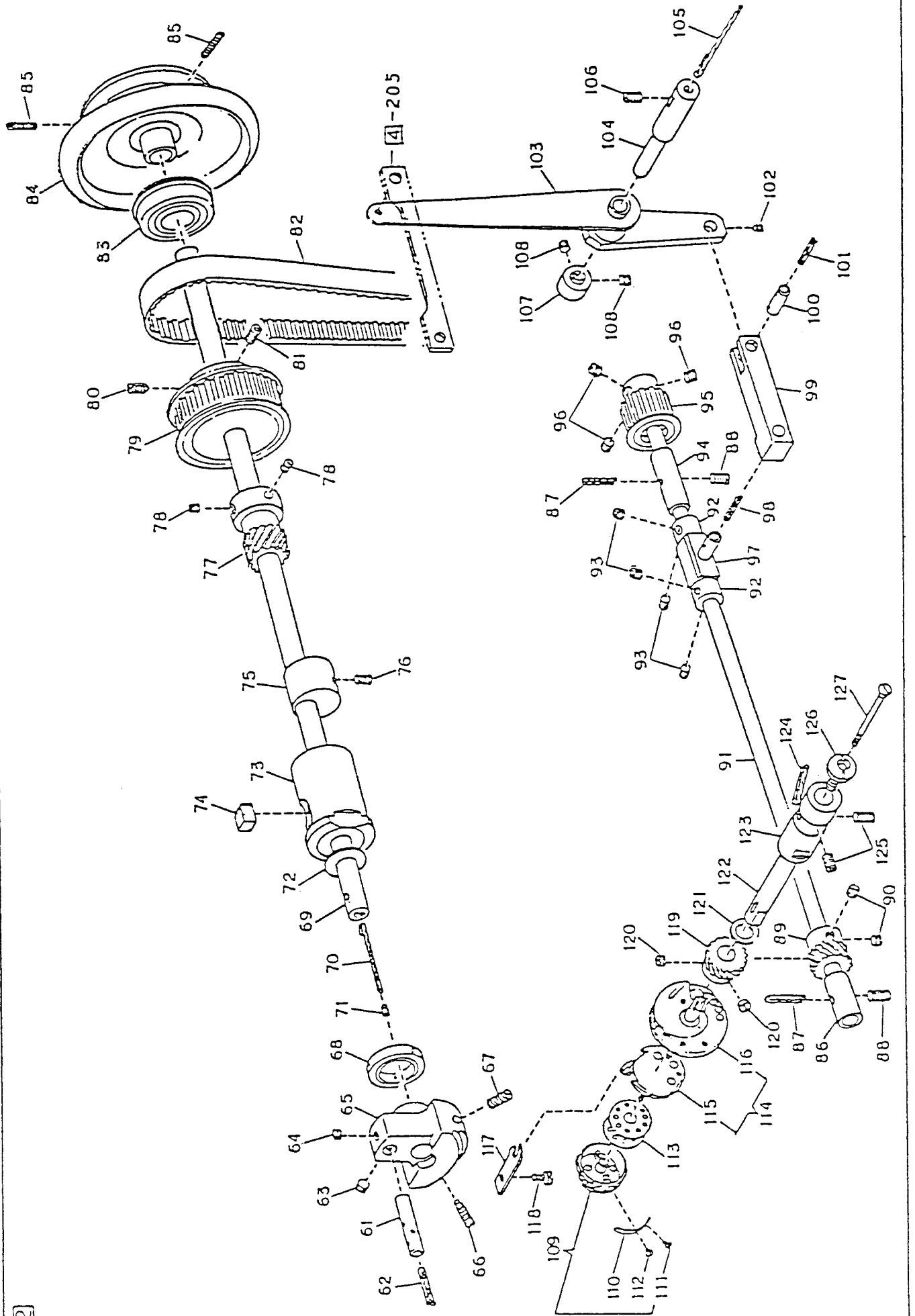
PRELIMINARY EDITION

107U

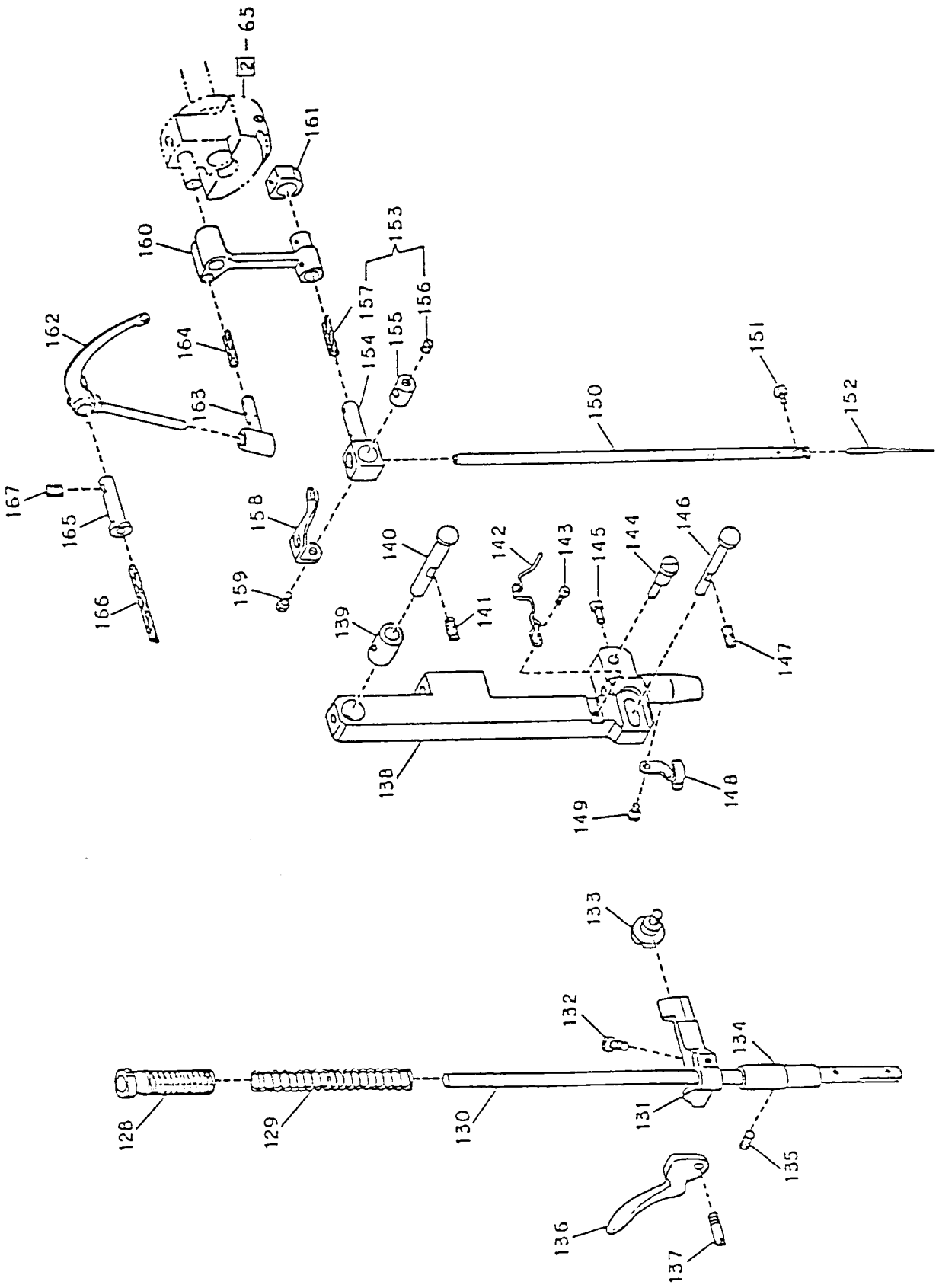
N o	Part No	Description	Amt. Req.
1	504201	Arm	1
2	504202	Bed	1
3	420874	Arm Screw	3
4	420728	Arm Screw Washer	3
5	420746	Arm Position Pin	2
6	504203	Face Plate	1
7	420715	Face Plate Screw	1
8	210983	Face Plate Position Screw	1
9	504204	Thread Guide Bushing	2
10	202401	Take-Up Lever Oiling Felt	1
11	420875	Take-Up Lever Oiling Felt Screw	1
12	420718	Arm Shaft Bushing Oil Paking Thumb Screw	1
13	202412	Thread Guide (on top of arm)	1
14	504205	Hook Cover	1
15	504415	Hook Cover Screw	3
16	208568	Oil Paipu	1
17	504206	Oil Paipu Wick	1
18	504207	Arm Cap	1
19	420707	Arm Cap Hinge Screw	1
20	420730	Arm Cap Hinge Washer	1
21	504208	Arm Cap Spool Holder Base Complete	1
22	504209	Arm Cap Spool Holder	(1)
23	504210	Arm Cap Spool Holder Wire	(1)
24	420876	Arm Cap Spool Holder Wire Hinge Screw	(1)
25	420721	Arm Cap Spool Holder Base Screw	2
26	504211	Belt Guard	1
27	504212	Belt Guard Spacer	1
28	504416	Belt Guard Screw	3
29	504213	Throat Plate Complete	1
30	504214	Throat Plate	(1)
31	504215	Throat Plate Spring	(3)
32	420877	Throat Plate Spring Washer	(3)
33	420878	Throat Plate Spring Screw	(6)
34	210592	Thread Guide	1
35	420720	Thread Guide Screw	1
36	241443	Thread Controller Spring Stopper	1
37	420705	Thread Controller Spring Stopper Screw	1
38	202409	Tension Complete	1
39	200625	Tension Stud	(1)
40	204925	Tension Stud Washer	(1)
41	202410	Tension Controller Spring	(1)
42	244048	Tension Disc (back)	(1)
43	244049	Tension Disc (front)	(1)
44	244061	Tension Release Washer	(1)
45	263106	Tension Spring Washer	(1)
46	202407	Tension Spring	(1)
47	201572	Tension Thumb Nut	(1)
48	420879	Tension Stud Set Screw	1
49	504216	Thread Controller Complete	1
50	504217	Thread Controller Shaft	(1)
51	504218	Thread Controller Shaft Spring	(1)
52	504219	Thread Controller Shaft Support Bracket	(1)
53	244048	Thread Controller Disc	(2)
54	504220	Thread Controller Disc Cap	(1)
55	420719	Thread Controller Disc Cap Screw	(1)
56	420880	Thread Controller Shaft Support Screw	(1)
57	504221	Needle Vibrator Eccentric Regulating Bracket Cover	1
58	374065	Needle Vibrator Eccentric Regulating Bracket Cover Screw	3
59	504222	Name Plate	1
60	504418	Name Plate Rivet	2



N o	Part	Description	Amt. Req.
61	224341	Needle Bar Connecting Link Stud	1
62	504206	Needle Bar Connecting Link Stud Oil Wick	1
63	200374	Needle Bar Connecting Link Stud Set Screw (L)	1
64	200383	Needle Bar Connecting Link Stud Set Screw (S)	1
65	224342	Needle Bar Crank	1
66	420714	Needle Bar Crank Position Screw	1
67	200335	Needle Bar Crank Set Screw	1
68	224375	Thread Controller Shaft Roller	1
69	504223	Arm Shaft	1
70	504224	Arm Shaft Oil Wick	1
71	420883	Arm Shaft Oil Wick Stop Screw	1
72	203172	Needle Bar Crank Friction Washer	1
73	504225	Arm Shaft Bushing (frount)	1
74	420729	Arm Shaft Bushing (frount) Oil Wick	1
75	504226	Feed Lifting Connection Eccentric	1
76	544209-006	Feed Lifting Connection Eccentric Position Screw	1
77	504227	Needle Vibrator Worm	1
78	544142	Needle Vibrator Worm Set Screw	2
79	504228	Arm Shaft Connection Belt Pulley	1
80	544209-006	Arm Shaft Connection Belt Pulley Set Screw	2
81	544209-005	Arm Shaft Connection Belt Pulley Position Screw	1
82	504229	Arm Shaft Connection Belt	1
83	504230	Arm Shaft Bearing	1
84	504231	Balance Wheel	1
85	141566	Balance Wheel Set Screw	2
86	504232	Feed Lifting Rock Shaft (hollow) And Hook Driving Shaft Bearing Bushing (front)	1
87	504233	Feed Lifting Rock Shaft (hollow) And Hook Driving Shaft Bearing Bushing (front) Oil Wick	2
88	544209-005	Feed Lifting Rock Shaft (hollow) And Hook Driving Shaft Bearing Bushing Set Screw	2
89	504234	Hook Driving Bevel Pinion (steel)	1
90	420888	Hook Driving Bevel Pinion Set Screw	2
91	504235	Feed Lifting Rock Shaft	1
92	504236	Feed Lifting Rock Shaft Stop Collar	2
93	544142	Feed Lifting Rock Shaft Stop Collar Set Screw	4
94	504237	Feed Lifting Rock Shaft (hollow) And Hook Driving Shaft Bearing Bushing (rear)	1
95	504238	Hook Driving Bevel Pinion Shaft Belt Pulley	1
96	544098	Hook Driving Bevel Pinion Shaft Belt Pulley Set Screw	3
97	504239	Feed Lifting Rock Shaft Connecting Stud	1
98	504240	Feed Lifting Rock Shaft Connecting Stud Oil Wick	1
99	504241	Hook Timing Lever Connecting Link	1
100	504242	Hook Timing Lever Connecting Link Pin	1
101	504240	Hook Timing Lever Connecting Link Pin Oil Wick	1
102	549368	Hook Timing Lever Connecting Link Pin Stop Screw	1
103	504243	Hook Timing Lever	1
104	504244	Hook Timing Lever Shaft	1
105	202423	Hook Timing Lever Shaft Oil Wick	1
106	549368	Hook Timing Lever Shaft Set Screw	1
107	504236	Hook Timing Lever Collar	1
108	544142	Hook Timing Lever Collar Set Screw	2
109	224418	Bobbin Case Cap Complete	1
110	224421	Bobbin Case Tension Spring	(1)
111	200598	Bobbin Case Tension Spring Screw	(1)
112	201016	Bobbin Case Tension Spring Regulating Screw	(1)
113	263099	Bobbin	1
114	504245	Bobbin Case Base And Hook Complete	1
115	224416	Bobbin Case Base	(1)
116	—	Hook	(1)
117	504247	Bobbin Case Stop	1
118	200161	Bobbin Case Stop Screw	1
119	504248	Hook Shaft Bevel Gear (steel)	1
120	420891	Hook Shaft Bevel Gear Set Screw	2
121	504249	Hook Shaft Washer	1
122	504250	Hook Shaft	1
123	504251	Hook Shaft Bushing	1
124	504252	Hook Shaft Bushing Oil Wick	1
125	544209-005	Hook Shaft Bushing Set Screw	2
126	350314	Hook Shaft Position Screw	1
127	200915	Hook Position Screw	1

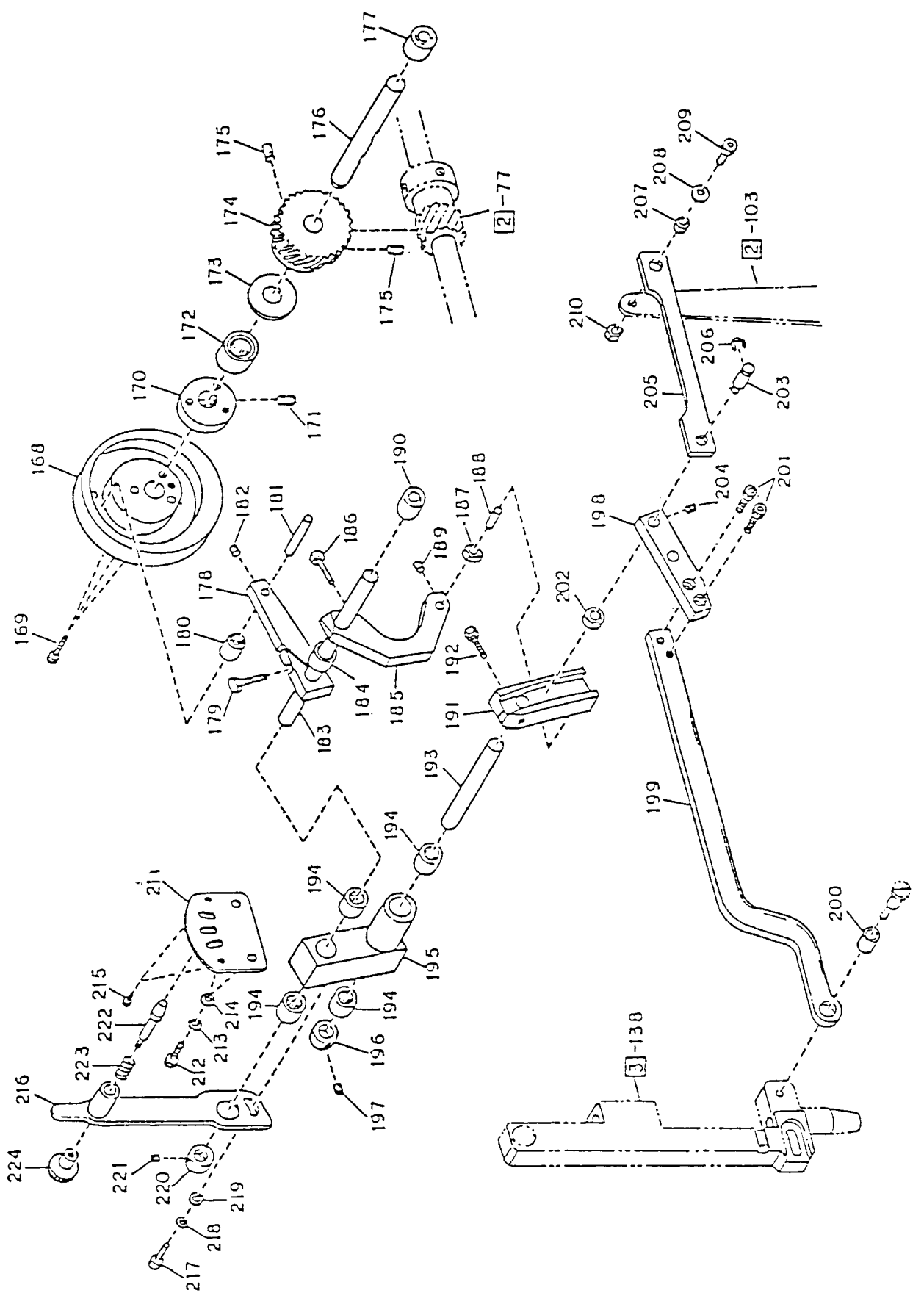


N o	Part No	Description	Amt. Req.
128	420717	Presser Bar Thumb Screw	1
129	504253	Presser Bar Spring	1
130	244033	Presser Bar	1
131	504254	Presser Bar Position Guide Lever	1
132	200054	Presser Bar Position Guide Lever Pinch Screw	1
133	420724	Presser Bar Lifting Releasing Lever Bracket Guide Screw	1
134	504255	Presser Bar Bushing	1
135	544398	Presser Bar Bushing Set Screw	1
136	420750	Presser Bar Lifter	1
137	200653	Presser Bar Lifter Hinge Screw	1
138	504256	Needle Bar Frame	1
139	504257	Needle Bar Frame Bush	1
140	210548	Needle Bar Frame Hinge Stud	1
141	544209-005	Needle Bar Frame Hinge Stud Set Screw	1
142	504258	Needle Bar Frame Thread Guide (up)	1
143	420893	Needle Bar Frame Thread Guide Screw	1
144	504259	Needle Bar Frame Pitman Eccentric Stud	1
145	420879	Needle Bar Frame Pitman Eccentric Stud Set Screw	1
146	504260	Needle Bar Frame Guide Stud	1
147	544209-005	Needle Bar Frame Guide Stud Set Screw	1
148	224387	Needle Bar Frame Thread Guide (low)	1
149	420878	Needle Bar Frame Thread Guide (low) Screw	1
150	504261	Needle Bar	1
151	200141	Needle Set Screw	1
152	1955-01	Needle	1
153	504262	Needle Bar Connecting Stud Complete	1
154	504329	Needle Bar Connecting Stud	(1)
155	504263	Needle Bar Connecting Stud Swivel	(1)
156	420894	Needle Bar Set Screw	(1)
157	504233	Needle Bar Connecting Stud Oil Wick	(1)
158	504264	Take-Up Auxiliary	1
159	420875	Take-Up Auxiliary Screw	1
160	210543	Needle Bar Connecting Link	1
161	504265	Needle Bar Connecting Link Slide Block	1
162	224372	Take-Up	1
163	202399	Take-Up Lever Driving Stud	1
164	202277	Take-Up Lever Driving Stud Oil Wick	1
165	202400	Take-Up Lever Hinge Stud	1
166	202423	Take-Up Lever Hinge Stud Oil Wick	1
167	544209-005	Take-Up Lever Hinge Stud Set Screw	1

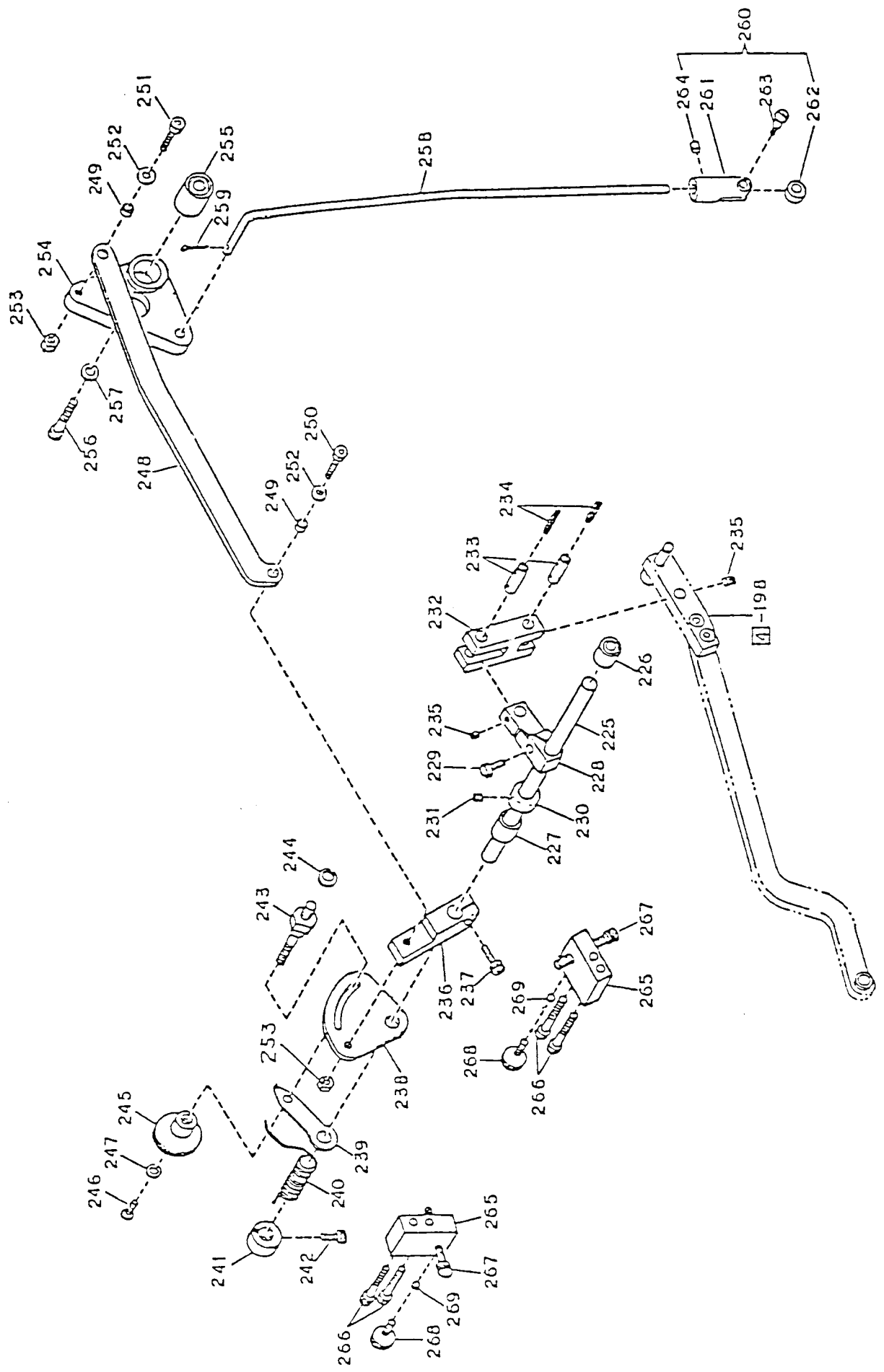


N o	Part No	Description	Amt. Req.
168	504266	Needle Vibrator Cam	1
169	414749-005	Needle Vibrator Cam Set Screw	3
170	504267	Needle Vibrator Cam Rest	1
171	544398	Needle Vibrator Cam Rest Screw	1
172	504268	Needle Vibrator Cam Shaft Bearing (rear)	1
173	203172	Needle Vibrator Cam Shaft Gear Friction Washer	1
174	504269	Needle Vibrator Cam Shaft Gear	1
175	544398	Needle Vibrator Cam Shaft Gear Set Screw	2
176	504270	Needle Vibrator Cam Shaft	1
177	504271	Needle Vibrator Cam Shaft Bearing (front)	1
178	504272	Needle Vibrator Rock Shaft Lever	1
179	420897	Needle Vibrator Rock Shaft Lever Screw	1
180	504273	Needle Vibrator Rock Shaft Lever Roller	1
181	504274	Needle Vibrator Rock Shaft Lever Roller Shaft	1
182	549368	Needle Vibrator Rock Shaft Lever Roller Shaft Set Screw	1
183	504275	Needle Vibrator Rock Shaft	1
184	504276	Needle Vibrator Rock Shaft Bearing (rear)	1
185	504277	Needle Vibrator Segment Lever	1
186	414760-001	Needle Vibrator Segment Lever Screw	1
187	504278	Needle Vibrator Segment Lever Slide Block	1
188	504279	Needle Vibrator Segment Lever Slide Block Shaft	1
189	549368	Needle Vibrator Segment Lever Slide Block Shaft Screw	1
190	504280	Needle Vibrator Rock Shaft Bearing (front)	1
191	504281	Needle Vibrator Segment Box	1
192	414760-001	Needle Vibrator Segment Box Screw	1
193	504282	Needle Vibrator Segment Box Shaft	1
194	504276	Needle Vibrator Segment Box Bearing	4
195	504283	Needle Vibrator Segment Box Bracket	1
196	504284	Needle Vibrator Segment Box Shaft Collar	1
197	549368	Needle Vibrator Segment Box Shaft Collar Set Screw	1
198	504285	Needle Bar Frame Pitman (right)	1
199	504286	Needle Bar Frame Pitman (left)	1
200	504287	Needle Bar Frame Pitman (left) Bush	1
201	374106-005	Needle Bar Frame Pitman (right) Set Screw	2
202	504288	Needle Bar Frame Pitman Roller	1
203	504289	Needle Bar Frame Pitman Roller Shaft	1
204	549368	Needle Bar Frame Pitman Roller Shaft Set Screw	1
205	504290	Hook Timing Connecting Link	1
206	E-4	Hook Timing Connecting Link "E" Ring	1
207	504291	Hook Timing Connecting Link Bush	1
208	504401	Hook Timing Connecting Link Shaft Screw Washer	1
209	374106-008	Hook Timing Connecting Link Shaft Screw	1
210	504403	Hook Timing Connecting Link Shaft Screw Nut	1
211	504292	Needle Bar Position Plate	1
212	374065	Needle Bar Position Plate Set Screw	2
213	504404	Needle Bar Position Plate Set Screw Spring Washer	2
214	504436	Needle Bar Position Plate Set Screw Washer	2
215	504330	Needle Bar Position Stopper	2
216	504294	Needle Bar Position Lever	1
217	374065	Needle Bar Position Lever Set Screw	1
218	504438	Needle Bar Position Lever Set Screw Spring Washer	1
219	504439	Needle Bar Position Lever Set Screw Washer	1
220	504284	Needle Bar Position Lever Collar	1
221	549368	Needle Bar Position Lever Collar Set Screw	1
222	504295	Needle Bar Position Lever Locking Screw Stud	1
223	504296	Needle Bar Position Lever Locking Screw Stud Spring	1
224	504297	Needle Bar Position Lever Locking Screw Stud Cap	1

[4]



N o	Part No	Description	Amt. Req.
225	504298	Needle Vibrator Lever Shaft	1
226	504280	Needle Vibrator Lever Shaft Bearing (front)	1
227	504276	Needle Vibrator Lever Shaft Bearing (rear)	1
228	504299	Needle Vibrator Operating Lever	1
229	504441	Needle Vibrator Operating Lever Screw	1
230	504284	Needle Vibrator Lever Shaft Collar	1
231	549368	Needle Vibrator Lever Shaft Collar Set Screw	1
232	504300	Needle Vibrator Segment Link	1
233	504301	Needle Vibrator Segment Link Pin	2
234	504233	Needle Vibrator Segment Link Pin Oil Wick	2
235	549368	Needle Vibrator Segment Link Pin Set Screw	2
236	504302	Needle Vibrator Stop Bracket	1
237	374106-006	Needle Vibrator Stop Bracket Set Screw	1
238	504303	Needle Vibrator Stop Segment	1
239	504304	Needle Vibrator Stop Index Finger	1
240	504305	Needle Vibrator Spring	1
241	504306	Needle Vibrator Spring Screw Stud Collar	1
242	374065	Needle Vibrator Spring Screw Stud Collar Set Screw	1
243	504406	Needle Vibrator Set Screw	1
244	504407	Needle Vibrator Set Screw Spring Washer	1
245	504408	Needle Vibrator Stop Segment Locking Nut	1
246	200161	Needle Vibrator Stop Segment Locking Nut Set Screw	1
247	504445	Needle Vibrator Stop Segment Locking Nut Washer	1
248	504307	Needle Vibrator Link	1
249	504308	Needle Vibrator Link Bush	2
250	504409	Needle Vibrator Link Shaft Screw (L)	1
251	374106-008	Needle Vibrator Link Shaft Screw (S)	1
252	504447	Needle Vibrator Link Shaft Screw Washer	2
253	504448	Needle Vibrator Link Shaft Nut	2
254	504309	Needle Vibrator Operating Bell Crank	1
255	504310	Needle Vibrator Operating Bell Crank Bearing	1
256	374107-007	Needle Vibrator Operating Bell Crank Hinge Screw	1
257	504411	Needle Vibrator Operating Bell Crank Hinge Screw Washer	1
258	504311	Needle Vibrator Operating Rod	1
259	504312	Needle Vibrator Operating Rod Cotter Pin	1
260	504313	Needle Vibrator Operating Rod Roller Bracket Complete	1
261	504314	Needle Vibrator Operating Rod Roller Bracket	(1)
262	504315	Needle Vibrator Operating Rod Roller	(1)
263	504316	Needle Vibrator Operating Rod Roller Hinge Screw	(1)
264	420855	Needle Vibrator Operating Rod Roller Bracket Set Screw	(1)
265	504317	Needle Vibrator Limit Rest	2
266	504449	Needle Vibrator Limit Rest Set Screw	4
267	504413	Needle Vibrator Limit Screw	2
268	504414	Needle Vibrator Limit Set Screw	2
269	504318	Needle Vibrator Limit Set Screw Metal	2



N o	Part No	Description	Amt. Req.
270	540523	Bed Hinge Connection Cushion	2
271	412212	Bed Hinge Connection	2
272	416286	Bed Hinge Connection Screw	4
273	504331	Drip Pan	1
274	259462	Universal Bobbin Winder Complete	1
275	504319	Knee Lifter Complete	1
276	504320	Rest Pin	1
277	504321	Thread Unwinder (for two spools)	1
278	504322	Hoop	1
279	1955-01	Needle (for five)	1
280	263099	Bobbin	3
281	504323	Screw Driver (for small)	1
282	504324	Screw Driver (for middle)	1
283	504325	Screw Driver (for large)	1
284	418441-003	Hexagon Wrench (2.5mm)	1
285	418441-004	Hexagon Wrench (3.0mm)	1
286	418441-005	Hexagon Wrench (4.0mm)	1
287	504326	Wrench (8-10)	1
288	504327	Oiler	1
289	504328	Accessories Bag	1

