

**THIRD
EDITION**

Union Special[®]
INDUSTRIAL SEWING EQUIPMENT

CATALOG NO. 103L

STYLES

**39500A
39500B**

**STREAMLINED
HIGH SPEED OVERSEAMERS**

Catalog No. 103 L

INSTRUCTIONS

FOR

ADJUSTING AND OPERATING

LIST OF PARTS

CLASS 39500

Styles

39500 A

39500 B

The parts listed in this catalog are
furnished at list prices for repairs only.

Third Edition

Copyright 1955

By

Union Special Machine Co.
Rights Reserved in All Countries

Union Special
MACHINE COMPANY
INDUSTRIAL SEWING MACHINES
CHICAGO

Printed in U. S. A.

FOREWORD

The Class 39500 machine is Union Special's latest overedger. New streamlined styling, automatic lubrication, and light running high speed performance are characteristics of these machines. All parts are made by precision methods insuring complete interchangeability.

It is our constant aim to furnish carefully prepared information that will enable the customer to secure all possible advantages from the use of Union Specials. The following pages contain valuable operating and adjusting data, and illustrate and describe the parts for Styles in Class 39500.

Union Special representatives will be found in all manufacturing centers, anxious to cooperate with you to plan and estimate requirements.

Union Special MACHINE COMPANY

Engineering Department

IDENTIFICATION OF MACHINES

Union Special CLASS 39500

Each Union Special carries a Style number which is stamped in the name plate on the machine. Style numbers are classified as standard and special. Standard Style numbers have one or more letters suffixed, but never contain the letter Z. Example: "Style 39500 A". Special Style numbers contain the letter "Z". When only minor changes are made in a standard machine, a "Z" is suffixed to the standard Style number. Example: "Style 39500 AZ".

Styles of machines similar in construction are grouped under a Class number, which contains no letters. Example: "Class 39500".

APPLICATION OF CATALOG

This catalog applies specifically to the standard Styles of machines as listed herein. It can also be applied with discretion to some special machines in Class 39500. All references to directions, such as right and left, front and back, etc., are taken from the operator's position while seated at the machine. Operating direction of handwheel is away from operator.

STYLES OF MACHINES

Single Curved Blade Needle, Two Looper, Three Thread, Overseaming Machine. Differential Feed, Trimming Mechanism with Spring Pressed Lower Knife, Automatic Lubricating System.

39500 A For seaming light and medium weight flat, warp, and ribbed knit fabrics of cotton, silk, or similar weight synthetics. The sewing combination has been designed especially for use on women's and children's slips, pajamas, nightgowns, or similar articles where long straight hanging seams are a primary requisite. Seam specification, 504-SSa-1; standard seam widths, 3/32 and 1/8 inch; stitch range, 8-30 per inch; cam adjusted main and differential feeds.

39500 B For seaming light and medium weight flat, warp, and ribbed knit fabrics of cotton, silk, or similar weight synthetics. The sewing combination has been designed for general purpose seaming of "T" shirts, polo shirts, panties, infants' and children's knit wear, and similar garments. Seam specification, 504-SSa-1; standard seam widths, 3/32 and 1/8 inch; stitch range, 8-30 per inch; cam adjusted main and differential feeds.

OILING

CAUTION! Oil was drained from machine when shipped, so reservoir must be filled before beginning to operate. Oil capacity of Class 39500 is six ounces. A straight mineral oil of a Saybolt viscosity of 200 to 250 seconds at 100° Fahrenheit should be used.

Machine is filled with oil at spring cap in top cover. Oil level is checked at sight gauge on front of machine. Red bulb on oil level indicator should show between gauge lines.

Machine is automatically lubricated. No oiling is necessary, other than keeping main reservoir filled. Check oil daily before the morning start; add oil as required.

Drain plug screw is located at back of machine near bottom edge of base.

NEEDLES

Each Union Special needle has both a type number and a size number. The type number denotes the kind of shank, point, length, groove, finish and other details. The size number, stamped on needle shank, denotes largest diameter of blade, measured in thousandths of an inch midway between shank and eye. Collectively, type number and size number represent the complete symbol.

These machines use a curved blade needle. Standard needle for Styles 39500 A and 39500 B is Type 154 G. It is single grooved, spotted, and chromium plated: in sizes 022, 025, 027, 029, 032, 036, 040 and 044.

To have needle orders promptly and accurately filled, the empty package, a sample needle, or type and size number should be given. See marks on packages. A complete order would read: "1000 Needles Type 154 G Size 036".

Selection of proper needle size should be determined by the size of thread used. Thread should pass freely through needle eye in order to produce a good stitch formation.

Success in the operation of this machine can be secured only with genuine Union Special needles, which are put up in packages marked "trade UNION SPECIAL mark" at the top. This trade mark is your guarantee of needles of the highest quality in materials and workmanship.

CHANGING NEEDLES

Release pressure on presser foot by turning presser foot release bushing (U, Fig. 1) and swing presser arm (H) out of position. Turn handwheel in operating direction until needle is at its lowest point of travel. Using hexagonal socket wrench No. 21388 AS, furnished with machine, loosen needle clamp nut about 1/4 turn. Again turn handwheel until needle is at high position; withdraw needle.

To replace needle: leave needle holder at high position and, with the flat to the left, insert needle in holder until it rests against stop pin. Keeping needle in this position, turn handwheel until holder is again at its low point of travel; then tighten nut. Return presser arm (H) to position; re-lock presser foot release bushing (U).

THREAD STAND

After thread comes from cone on thread stand (V, Fig. 1), it is brought up through back thread eyelet, then down through front thread eyelet (W). Next it is threaded through each pair of holes in tension thread guide wire (A), down right hand hole and up through left hand hole. Then thread continues between tension discs (AD), through slot (AE), and on through thread guide (B).

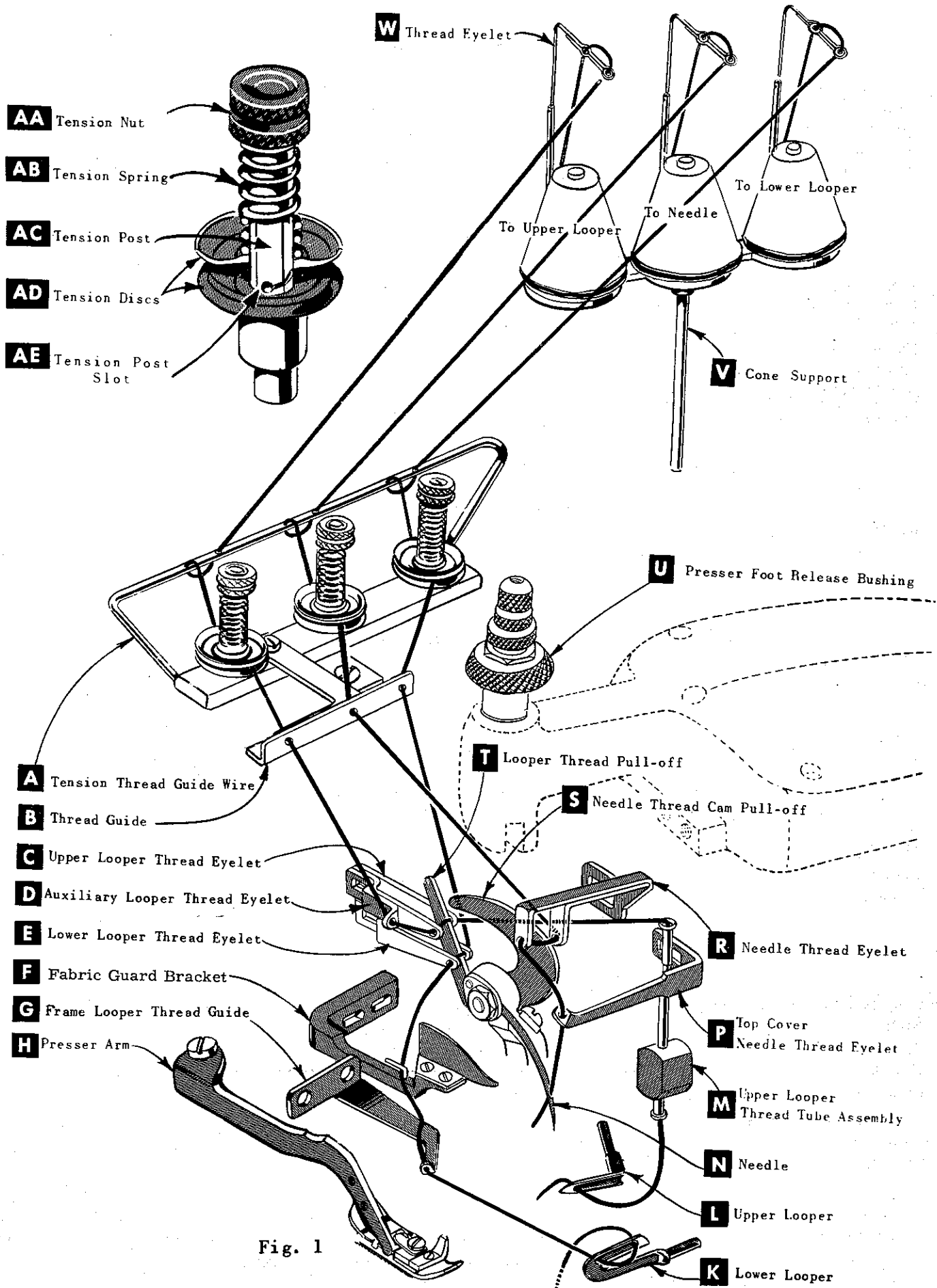
THREADING

Only parts involved in threading are shown in threading diagram (Fig. 1). Parts are placed in their relative positions for clarity.

It will simplify threading this machine to follow recommended sequence of threading lower looper first, upper looper second, and needle third.

Before beginning to thread: swing cloth plate open; turn handwheel in operating direction until needle (N) is at high position; release pressure on presser foot by turning presser foot release bushing (U); and swing presser arm (H) out of position.

Be sure threads, as they come from the tension thread guide, are between tension discs (AD) and in diagonal slots (AE) in tension posts (AC).



AA Tension Nut

AB Tension Spring

AC Tension Post

AD Tension Discs

AE Tension Post Slot

W Thread Eyelet

To Upper Looper

To Needle

To Lower Looper

V Cone Support

U Presser Foot Release Bushing

A Tension Thread Guide Wire

B Thread Guide

C Upper Looper Thread Eyelet

D Auxiliary Looper Thread Eyelet

E Lower Looper Thread Eyelet

F Fabric Guard Bracket

G Frame Looper Thread Guide

H Presser Arm

T Looper Thread Pull-off

S Needle Thread Cam Pull-off

R Needle Thread Eyelet

P Top Cover Needle Thread Eyelet

M Upper Looper Thread Tube Assembly

N Needle

L Upper Looper

K Lower Looper

Fig. 1

TO THREAD LOWER LOOPER

Double end of thread and lead it through both eyes of lower looper thread eyelet (E, Fig. 1) from right to left. Note thread must pass in front of looper thread pull-off (T). Lead thread behind fabric guard (F) and through both holes of frame looper thread guide (G). Turn handwheel in operating direction until heel of lower looper (K) is all the way to the left; then thread through both eyes from left to right. Left eye of lower looper can be threaded easily if tweezers are in left hand.

TO THREAD UPPER LOOPER

Turn handwheel until point of upper looper (L) is all the way left. Lead thread through auxiliary looper thread eyelet (D) from back to front; then through both eyes of upper looper thread eyelet (C) from left to right. Note thread must pass in front of looper thread pull-off (T). After pulling up upper looper thread tube assembly (M), lead thread under neck of top cover casting and down through thread tube assembly (M). Pull thread out bottom of tube; push tube down; then insert thread through upper looper eye from front to back.

CAUTION: Be sure upper looper thread is under lower looper thread when passing from tube assembly to upper looper eye.

TO THREAD THE NEEDLE

Turn handwheel in operating direction until needle (N, Fig. 1) is at its highest position. Insert needle thread from right to left, through both eyes of needle thread eyelet (R), under neck of top cover casting; then down through hole in top cover needle thread eyelet (P). Thread needle from front.

THREAD TENSION

The amount of tension on needle and looper threads is regulated by three knurled tension nuts (AA, Fig. 1). Tension on threads should be only enough to secure proper stitch formation.

PRESSER FOOT PRESSURE

Sufficient pressure to feed work uniformly should be maintained. Should it be necessary to increase or decrease amount of pressure on presser foot, loosen lock nut (A, Fig. 2) and turn adjusting screw (B). Adjusting screw has a right hand thread; so tightening increases pressure, loosening decreases pressure. When pressure adjusting screw (B) has been properly set, tighten lock nut (A). With presser foot resting on throat plate, position locking nut (C) so that its under surface is approximately 1/32 inch to 1/16 inch from the top surface of adjusting screw (E). Set cap (D) against locking nut (C).

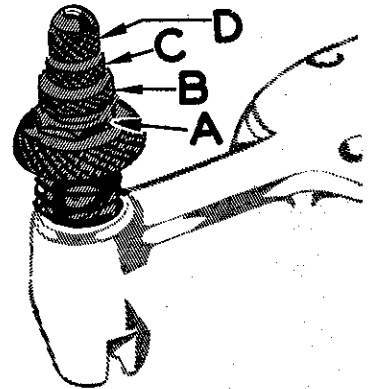


Fig. 2

FEED ECCENTRICS

Feed eccentrics used in this machine have been selected to produce approximately 12 stitches per inch. It will be noted that the part number of main feed eccentric is No. 39540-14 while that of differential feed eccentric is No. 39540-12. Minor numbers of the part symbol indicate approximately the number of stitches obtainable when using that eccentric. Unless otherwise specified, machine will be shipped with above combination of eccentrics.

Generally speaking, differential (right hand) feed eccentric determines number of stitches produced; main (left hand) feed eccentric is selected in relation to degree and direction of stretch of material being sewn, or type of operation.

Following stitch number feed eccentrics are available under No. 39540- 4, 5, 6, 7, 8, 9, 10, 11, 12, 13, 14, 15, 16, 18, 20, 22, 24, 26, 28, 30, 32, 34, 36, 40. Only two eccentrics are supplied with each machine. Additional eccentrics may be ordered separately. To order an eccentric, use No. 39540 with a minor number suffixed to indicate number of stitches desired. Example: "39540-12".

ASSEMBLING AND ADJUSTING SEWING PARTS

Before assembling sewing parts: remove cloth plate, fabric guard, chip guard, upper knife assembly, lower knife holder assembly; then follow this suggested sequence.

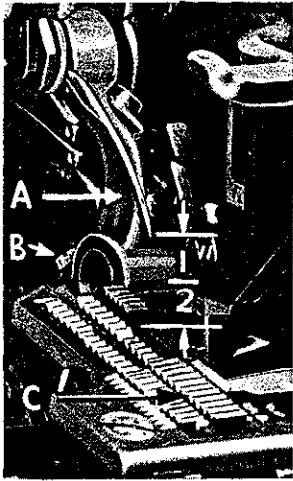


Fig. 3

SETTING THE NEEDLE

With throat plate in position, needle should center in the front end of needle slot. When needle is at high position, needle point should be set 1/2 inch above throat plate (Fig. 3). Move needle driving arm (A, Fig. 3) by loosening clamp screw (B). Remove throat plate.

If needle thread cam pull-off (A, Fig. 4) overlaps looper thread pull-off (B), separate by moving looper thread pull-off back. When retightening looper pull-off screw, be sure to take up end play in needle driving arm.

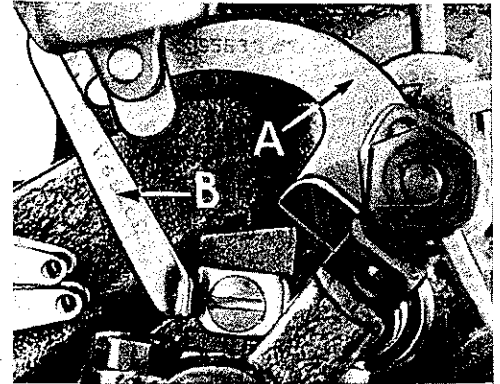


Fig. 4

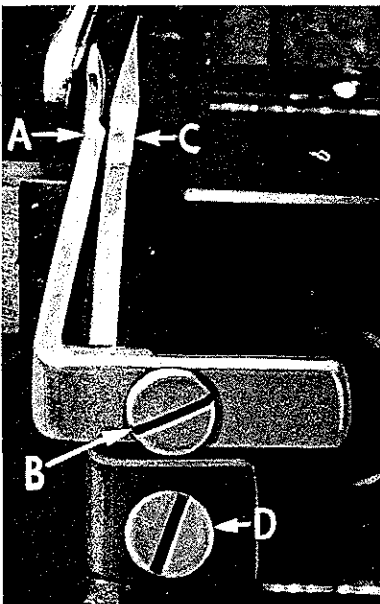


Fig. 5

At this point, insert lower looper (A, Fig. 6) into bar (B). With lower looper at left end of its stroke, set looper point 1/8 inch from center of needle (Fig. 6), using looper gauge No. 21225-1/8. Do not have lower looper deflecting needle. Tighten nut.

Now assemble differential (front) feed dog.

SETTING THE REAR NEEDLE GUARD

Set rear needle guard (A, Fig. 5) as high as possible, without interfering with either lower looper or movement of lower knife holder; but still in position to deflect needle forward .002 - .004 inch. Screw (B) is used to set rear needle guard. Make sure there is no interference between rear needle guard and lower looper.

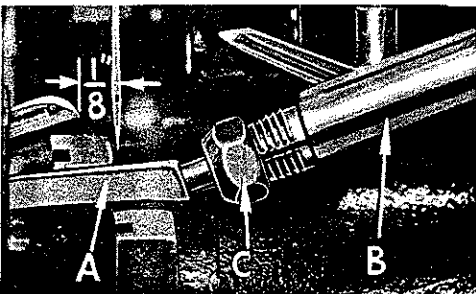


Fig. 6

SETTING THE LOWER LOOPER

Now finish lower looper adjustment. As lower looper moves to the right, its point should be set into the needle scarf (A, Fig. 7) until the needle springs forward from rear guard surface another .002 - .004 inch.

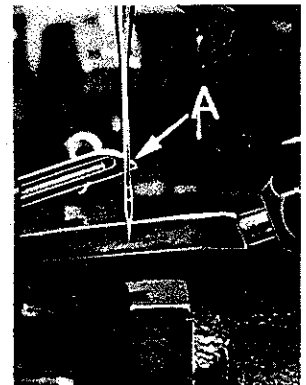


Fig. 7

SETTING THE FRONT NEEDLE GUARD

Assemble front needle guard (C, Fig. 5). When lower looper is springing needle off back guard, set front needle guard as close as possible to needle without touching. Screw (D) is used to adjust and set front needle guard. After this setting make sure there is no interference between needle guards and differential feed dog.

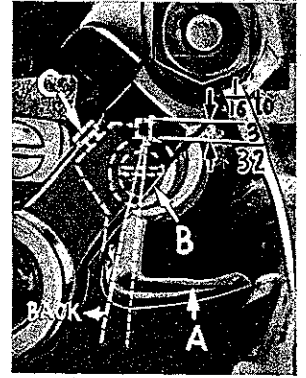


Fig. 8

SETTING THE UPPER LOOPER

Insert upper looper (A, Fig. 8) in its holder. Screw (B, Fig. 8) holds upper looper in its holder, and permits it to be pushed in or out or turned around its shank. Insert upper looper holder into upper looper shaft, if it is not already in place. Screw (C, Fig. 8) on clamp holds the upper looper holder in the shaft. Locate upper looper in its holder so that the shank extends $1/16$ to $3/32$ inch beyond holder (Fig. 8).



Fig. 9

When upper looper is at the right end of its stroke, upper looper holder should be set to position upper looper shank back of vertical (Fig. 8), but be sure that there is clearance between heel of looper and casting. By adjusting looper holder in or out of upper looper shaft and by turning the looper around its shank, set upper looper point to cross lower looper to the left of the lower looper eye with 0.002 to 0.004 clearance (Fig. 9).

Next turn handwheel until upper looper is at the left end of its travel; check dimensions of upper looper point from needle and throat plate (Fig. 10). If resetting is necessary, do it by moving upper looper holder (A, Fig. 10). For example: dimension $31/64$ inch is increased by turning upper looper holder counter-clockwise looking from left end of machine; and dimension $5/32$ inch is increased by pulling upper looper holder left, out of upper looper shaft. After these changes are made it may be necessary to turn upper looper around its shank slightly to maintain the condition shown in (Fig. 9).

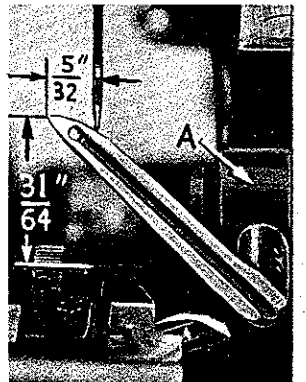


Fig. 10

When the correct setting is obtained, it can be checked quickly as follows: As upper looper is moving to the right, when upper looper eye centers on the needle, the bottom of needle eye should be about level with top surface of upper looper (Fig. 11).

Check setting to avoid interference between upper looper and needle on needle downstroke. If needle rubs the back of upper looper; pull looper out of its holder slightly and rotate looper a short distance counter-clockwise, looking from left end of machine. Reset to maintain dimensions of Figs. 9, 10, 11.

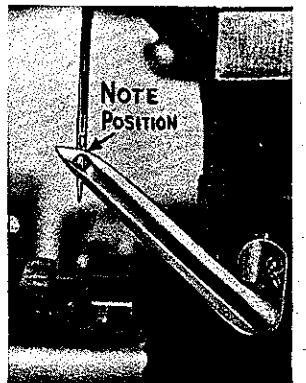


Fig. 11

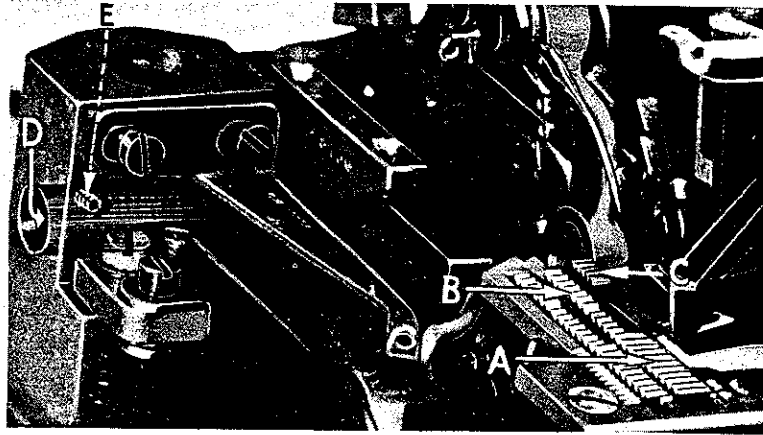


Fig. 12

SETTING THE FEED DOGS

On Style 39500 A set all three feed dogs (A, B, C, Fig. 12) so the top surfaces of teeth all lie in the same plane. This can be checked by sighting across teeth with a straight edge. Feed dogs should now be leveled with throat plate surface by rotating feed tilting adjusting pin (D). This pin raises or lowers the back end of both feed bars at the same time. The feed dogs should be set level at the time teeth first appear above the throat plate. Screw (E) locks feed tilting adjusting pin in place. Now set feed dogs so that teeth rise about 3/64 inch above throat plate.

NOTE: On Style 39500 B set chaining feed dog (C) level with top of throat plate when dog is at top of its travel.

SETTING THE LOWER KNIFE

Replace lower knife holder assembly. Lower knife (A, Fig. 13) should be set with cutting edge flush with throat plate surface. Adjustments are made with hexagonal head screw which holds lower knife. Lower knife is spring pressed against upper knife, so no lateral adjustment is necessary when width of trim is changed.

Lower knife may be secured in any position by tightening screw (B) and locking nut (C) against support bracket. Because screw (B) also serves as latch pin for the cloth plate latch spring, it should always be locked with nut (C) even when screw is not tightened against lower knife holder.

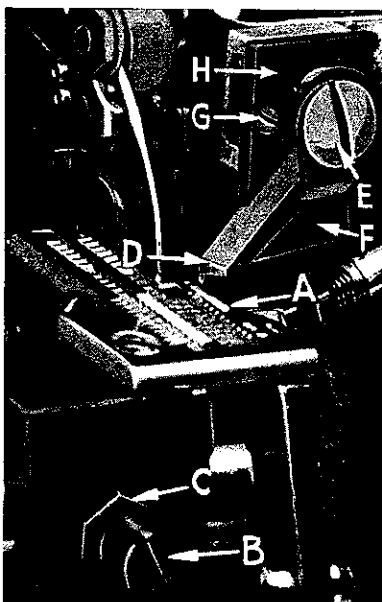


Fig. 13

SETTING THE UPPER KNIFE

Replace upper knife assembly. Clamp upper knife (D, Fig. 13) in position, setting screw (E) to hold clamp (F) in its most clockwise position against upper knife. At bottom of its stroke, front cutting edge of upper knife should extend not less than 1/64 inch below cutting edge of lower knife.

After upper knife has been set for proper width of trim, screw (G) should be tightened to lock upper knife holding block (H) in place. This will simplify resetting when upper knife is replaced.

SETTING THE STITCH LENGTH

Length of stitch is determined by the combination of feed eccentrics used. Outer (left) eccentric (A, Fig. 14) actuates main (rear) feed dog; while the inner (right) eccentric (B) actuates the differential (front) feed dog.

In assembling feed eccentrics, be sure hubs are facing each other. Be careful not to damage shaft or key. Tighten nut (C) securely. Be sure wool yarn in oil tube (F) touches feed eccentric connections.

To change feed eccentrics, remove nut (C) from end of shaft (D). Turn handwheel in operating direction until key slot in eccentric is toward front. Using hooked eccentric extractor (E), supplied with machine, reach behind eccentrics as shown and withdraw eccentrics. It may be necessary to move handwheel back and forth slightly during extraction.

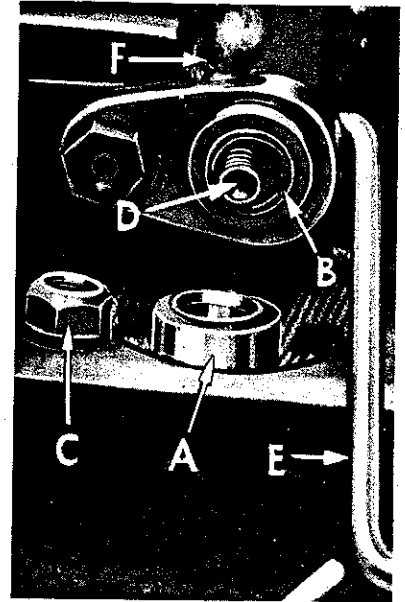


Fig. 14

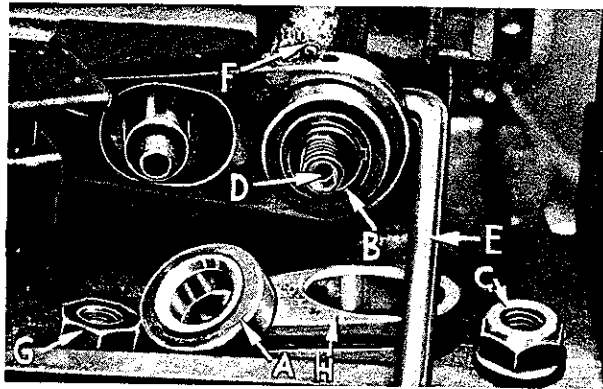


Fig. 15

If eccentrics are unusually tight fitting, in addition to removing nut (C, Fig. 15) from shaft (D), it may be helpful to remove nut (G) and feed driving connection (H). Then continue as originally suggested.

SETTING THE PRESSER FOOT

Assemble presser foot to presser arm. With needle in high position, swing presser arm into sewing position and lock in place. If necessary, presser foot can be realigned with throat plate slots by shifting foot lifter lever shaft.

Foot lifter lever arm (A, Fig. 16) and collar (B) secure the shaft. Be sure presser arm does not bind and rise when presser foot release bushing is unlocked. To center presser foot and stitch tongue with respect to throat plate needle hole, loosen presser foot hinge screw.

Adjust lifter lever stop screw (C) so that presser foot can be raised no higher than upper looper will permit; then lock nut (D). There should be from 1/16 to 1/8 inch free motion of foot lifter lever before presser foot begins to rise. This adjustment should be made with screw (E), and locked with nut (F).

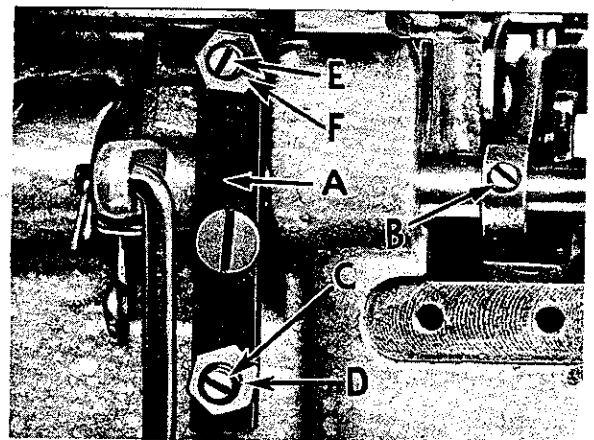


Fig. 16

Finally, reassemble chip guard, fabric guard, cloth plate.

STARTING TO OPERATE

Be sure machine is threaded according to threading diagram (Fig. 1, page 7). With thread tensions light, set looper thread eyelets (C & E) about horizontal and in the middle of their front to back locations. Operate machine slowly, without presser foot in place, to make sure that chain forms and moves off the tongue freely. Swing presser foot into position; insert material; and sew slowly.

NEEDLE THREAD CONTROL

While sewing on material, check needle thread control as follows: Usually all needle thread is drawn on needle down stroke. At top of needle stroke, thread should be just tight enough to feed chain off stitch tongue. Stitch tends to pull down slightly if excessive thread is pulled on the up stroke. With needle at bottom of stroke, position needle thread eyelet (R, Fig. 1) so that needle thread cam pull-off (S) just contacts needle thread.

LOWER LOOPER THREAD CONTROL

With material under presser foot, set lower looper thread eyelet (E, Fig. 1) back far enough so thread is a little slack when looper thread pull-off (T) reaches its most rearward position. Looper thread pull-off (T) is set about 1/8 inch distance behind needle thread cam pull-off (S). Frame looper thread guide (G) should be set with its left hand eyelet approximately 1/8 inch right of lower looper (K) heel eyelet at the time lower looper is at extreme left end of its travel.

While sewing on material, check drawing off of looper thread as follows: A portion of lower looper thread should be drawn through the tension before lower looper thread comes off upper looper. To increase amount of thread drawn through the tension while lower looper thread is on upper looper, move lower looper thread eyelet (E) down, keeping the same amount of pull-off action.

UPPER LOOPER THREAD CONTROL

Before proceeding to adjust upper looper thread eyelet (C, Fig. 1) balance all three tensions to give a normal appearing stitch. Moderate change in these tensions will not markedly effect the purl.

During needle down stroke, forward stroke or looper thread pull-off (T) will draw upper looper thread through the tension. When normal amount of looper thread is drawn, upper looper thread will have almost all slack taken up as looper thread pull-off reaches its most rearward position.

POSITIONING THE PURL

To move the purl more under the edge, both looper thread eyelets (C & E, Fig. 1) should be raised keeping the same amount of pull-off. Usually it is better to have slightly more pull-off on upper thread than on lower thread.

If it becomes necessary to move looper thread pull-off (T) be sure to take up all end play in needle drive shaft before tightening. If upper looper is located so that it is higher over throat plate than recommended in (Fig. 10), the purl will tend to form near top edge. If upper looper is too low, the purl will form nearer bottom edge.

THREAD TENSIONS

The needle thread tension required is a function of needle thread and material being sewn. In general, lower looper thread tension should be set as high as possible without causing needle thread to be pulled down. Upper looper thread tension should be increased as long as the elasticity of the chain increases, or until the purl is pulled too far over the top.

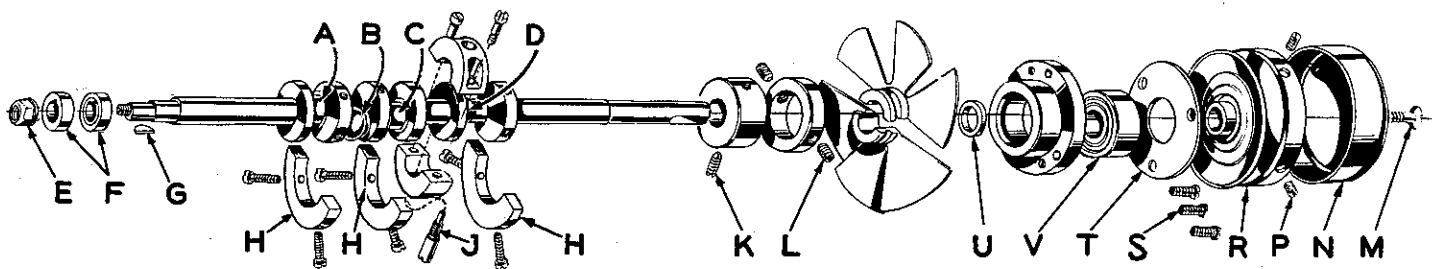


Fig. 17

TO REMOVE CRANKSHAFT

Crankshaft can be withdrawn easier if these steps are followed:

1. Drain oil by removing plug screw located on back of machine near bottom edge of base.
2. Remove top and bottom covers of machine.
3. Remove feed eccentric nut (E, Fig. 17) and, with the aid of the eccentric extractor, slip off the eccentrics (F).
4. Remove key (G).
5. Remove three counterweights (H). Identify these counterweights so that they will be re-assembled in the proper places.
6. Remove screw (J) which holds crankshaft split bearing. This screw is reached through bottom of bed casting.
7. Remove caps of bearings on crankshaft at points A, B, and D. When re-assembling bearing caps make sure they are in their original position. Trade marks are stamped on both halves of the caps and both trade marks should be on the same side of the bearings. Also, screws should be re-assembled in the same holes from which they were removed.
8. Loosen clamp nut (A, Fig. 18) which holds upper knife driving arm (B). Access to clamp nut is through top cover. Draw driving arm to the left until upper knife driving lever (C) and connecting rod (D) drop, allowing removal of bearing cap (E). This is at bearing point (C, Fig. 17) on crankshaft. Observe same precautions when re-assembling cap as described in 7 above.
9. Remove screw (K, Fig. 17) which holds inner right crankshaft bearing. This screw is reached through bottom of bed casting.
10. Loosen two screws (L) in fan collar; remove both halves of cooling fan.
11. Remove screw (M); take off pulley cap (N).
12. Loosen two screws (P); remove pulley (R).
13. Remove three screws (S); take off bearing retaining plate (T).
14. Crankshaft may now be removed.
15. If necessary to replace ball bearing (V), it should be pressed off shaft on an arbor press. In replacing bearing it must be pressed on carefully until it seats against ground thrust washer (U).
16. Carefully observing reverse of the foregoing operations should simplify re-assembly of crankshaft. Checking exploded view drawings for location of various parts and constant testing for binds during re-assembly will also prove helpful.
17. Before re-assembling, thoroughly clean and dry top and bottom covers and gaskets. Before re-assembling bottom cover make sure that spring pressed oil wick which lubricates left crankshaft bearing is inserted in hole in casting and that it contacts shaft. The wick stands vertically on its spring against bottom cover. Coat oil drain plug with a sealing compound before re-assembling to prevent oil leakage. No. 1 Crane Lead Seal is recommended.

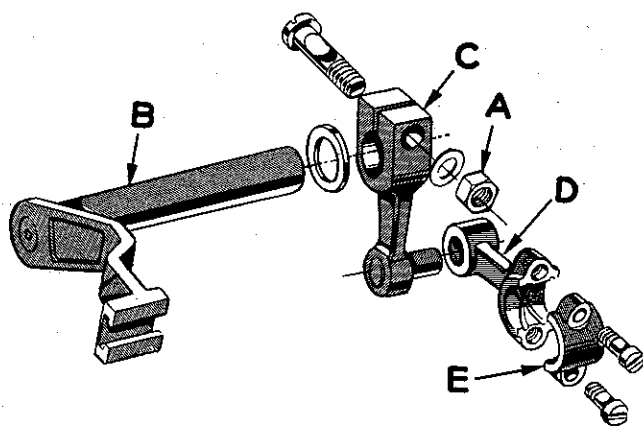


Fig. 18

ORDERING REPAIR PARTS

ILLUSTRATIONS

This catalog has been arranged to simplify ordering repair parts. Exploded views of various sections of the mechanism are shown so that the parts may be seen in their actual position in the machine. On the page opposite the illustration will be found a listing of the parts with their parts numbers, description and the number of pieces required in the particular view being shown.

Numbers in the first column are reference numbers only, and merely indicate the position of that part in the illustration. Reference number should never be used in ordering parts. Always use the part number listed in the second column.

Component parts of sub-assemblies which can be furnished for repairs are indicated by indenting their descriptions under the description of the main sub-assembly. Example:

39	29126 CH	Lower Looper Drive Lever Connecting Rod Assembly	1
40	22559 D	Screw	1

It will be noted in the above example that the eccentric, ball stud, and bearing are not listed. The reason is that replacement of these parts individually is not recommended, so complete sub-assembly should be ordered.

Where parts for Styles 39500 A and 39500 B are not the same, the difference will be shown in illustrations and descriptions. When a part is used in all machines covered by this catalog no machine style will be mentioned.

At the back of the book will be found a numerical index of all the parts shown in this book. This will facilitate locating the illustration and description when only the part number is known.

IDENTIFYING PARTS

When construction permits, each part is stamped with its part number. Some smaller parts are stamped with an identification letter to distinguish them from parts similar in appearance.

All part numbers represent the same part, regardless of the catalog in which they appear.

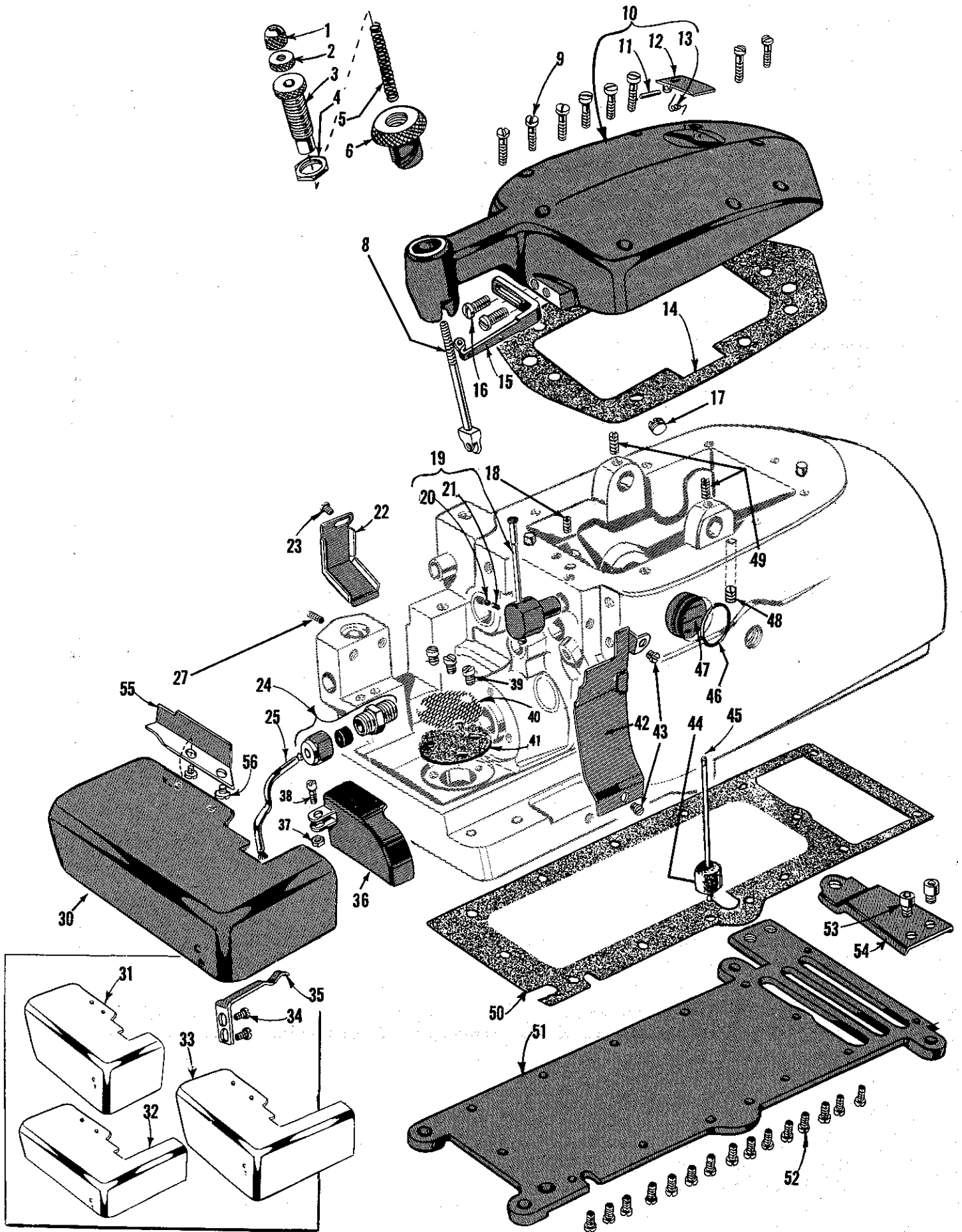
USE GENUINE NEEDLES AND REPAIR PARTS

Success in the operation of these machines can be secured only with genuine Union Special Needles and Repair Parts as furnished by the Union Special Machine Company, its subsidiaries and authorized distributors. They are designed according to the most approved scientific principles, and are made with utmost precision. Maximum efficiency and durability are assured.

Genuine needles are put up in packages marked at the top "trade 'UNION SPECIAL' mark". Genuine repair parts are stamped with a reproduction of the familiar Union Special padlocks. Each trade mark is your guarantee of the highest quality in materials and workmanship.

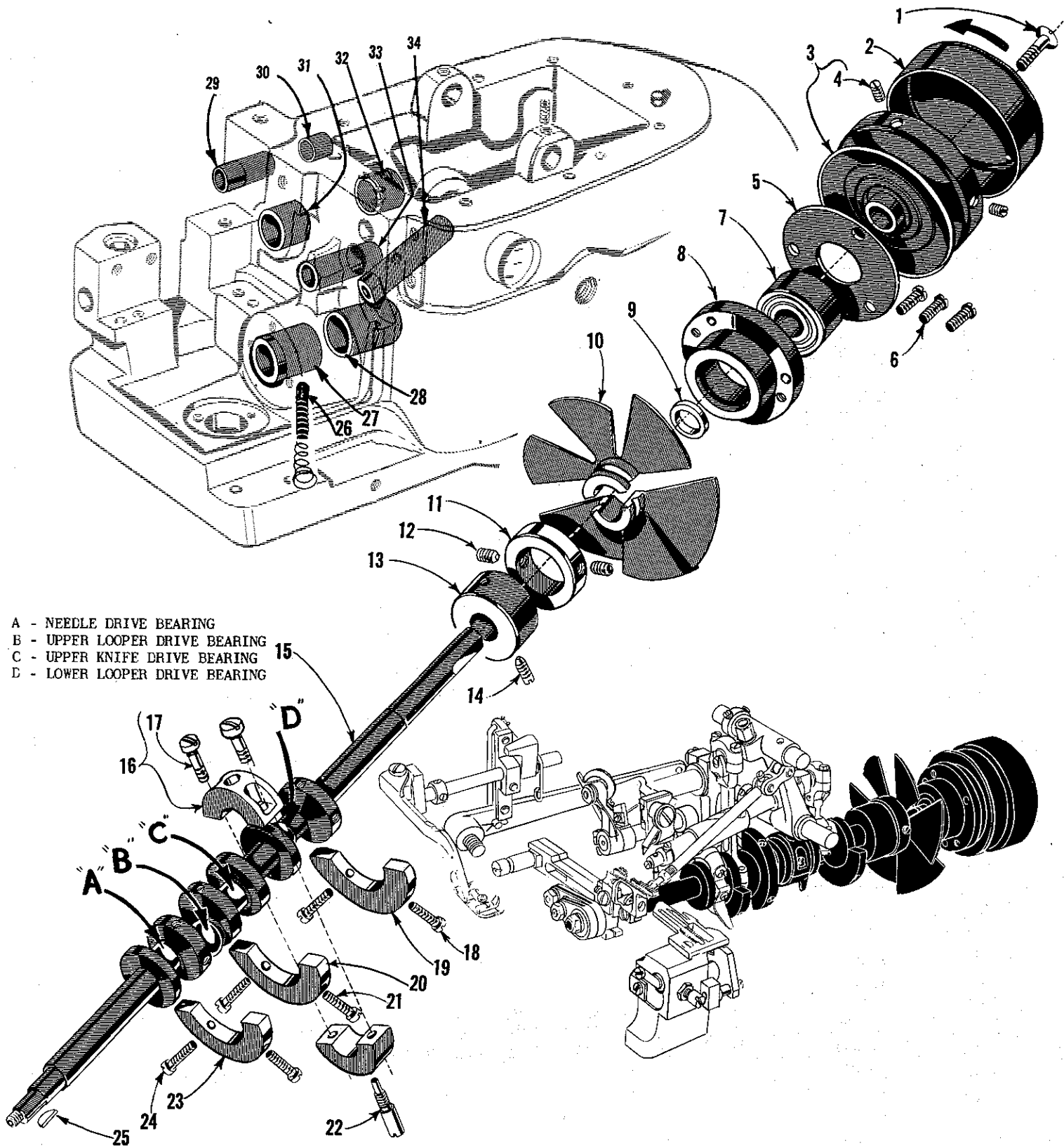
TERMS

Prices are net cash and subject to change without notice. All shipments are forwarded F. O. B. shipping point. Parcel post shipments are insured unless otherwise directed. A charge is made to cover postage and insurance.



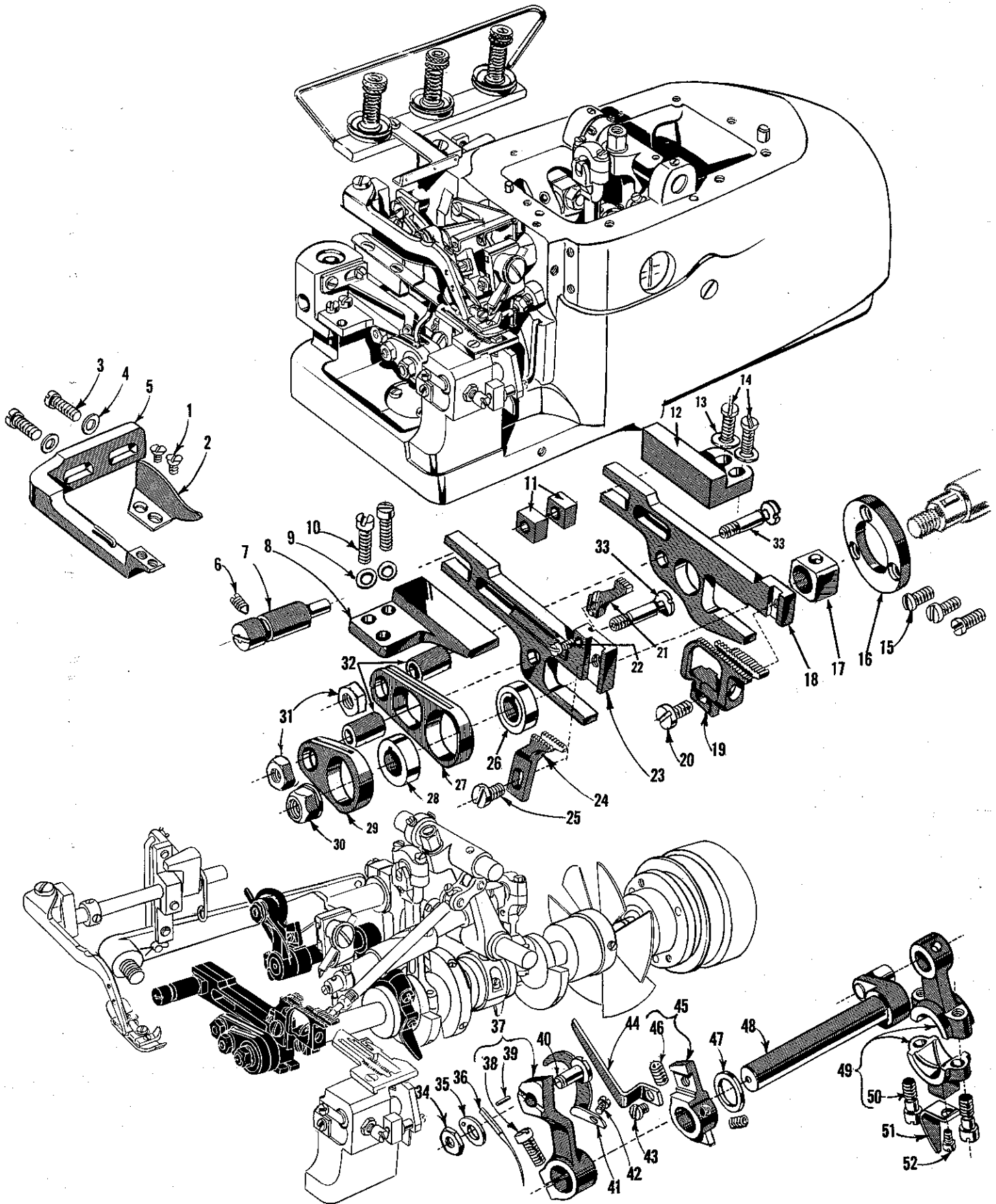
MAIN FRAME, MISCELLANEOUS COVERS, PLATES

<u>Ref. No.</u>	<u>Part No.</u>	<u>Description</u>	<u>Amt. Req.</u>
1	39557 B	Presser Spring Plunger -----	1
2	39557 E	Presser Spring Plunger Locking Nut -----	1
3	39557 C	Presser Spring Plunger Adjusting Screw -----	1
4	39557 F	Lock Nut - Adjusting Screw -----	1
5	39557	Presser Spring -----	1
6	39556 A	Presser Foot Release Bushing -----	1
8	39557 A	Presser Spring Plunger -----	1
9	22541	Screws - Top Cover -----	8
10	39582	Top Cover -----	1
11	50-817 Blk.	Hinge Pin -----	1
12	39582 L	Oil Filter Cover -----	1
13	39582 M	Spring -----	1
14	39582 A	Top Cover Gasket -----	1
15	39563 F	Top Cover Needle Thread Eyelet -----	1
16	22569 B	Screws - Eyelet -----	2
17	22571 B	Oil Drain Plug Screw -----	1
18	22565	Screw - Upper Looper Thread Tube Assembly -----	1
19	29477 GW	Upper Looper Thread Tube Assembly -----	1
20	22743	Screw - Tube Tension Spring -----	1
21	39568 J	Looper Thread Tube Tension Spring -----	1
22	39534 R	Feed Bar Oil Shield -----	1
23	90	Screw - Feed Bar Oil Shield -----	1
24	660-234	Oil Tube Coupling -----	1
25	39594	Feed Bar Connecting Rods Oil Tube -----	1
27	22565 B	Screw - Cloth Plate -----	1
30	39501 A	Cloth Plate, semisubmerged installation -----	1
31	39501	Cloth Plate, nonsubmerged installation -----	1
32	39501 C	Cloth Plate, semisubmerged installation -----	1
33	39501 B	Cloth Plate, nonsubmerged installation -----	1
34	90	Screws - Latch Spring -----	2
35	39532 A	Cloth Plate Latch Spring -----	1
36	39582 D	Feed Mechanism Cover -----	1
37	41071 G	Nut - Feed Mechanism Cover -----	1
38	86 X	Screw - Feed Mechanism Cover -----	1
39	22569 A	Screws - Oil Screen and Strainer -----	3
40	39594 G	Oil Filter Screen -----	1
41	39594 H	Oil Strainer -----	1
42	39578 B	Chip Guard -----	1
43	22569 D	Screws - Chip Guard -----	2
44	39593 C	Oil Gauge Float -----	1
45	39593 D	Oil Gauge Indicator -----	1
46	660-243	Oil Gauge Seal Ring -----	1
47	39593 E	Oil Sight Gauge -----	1
48	22894 R	Screws - Lower Looper Bar Drive Lever Shaft -----	2
49	22565	Screws - Upper Looper Drive Lever Shaft -----	2
50	39582 C	Bottom Cover Gasket -----	1
51	39582 B	Bottom Cover -----	1
52	22569 C	Screws - Bottom Cover -----	15
53	22653 D-4	Screws - Bottom Cover Extension -----	2
54	39582 F	Bottom Cover Extension -----	1
55	39578 F	Cloth Plate Fabric Guard -----	1
56	138	Screw -----	2



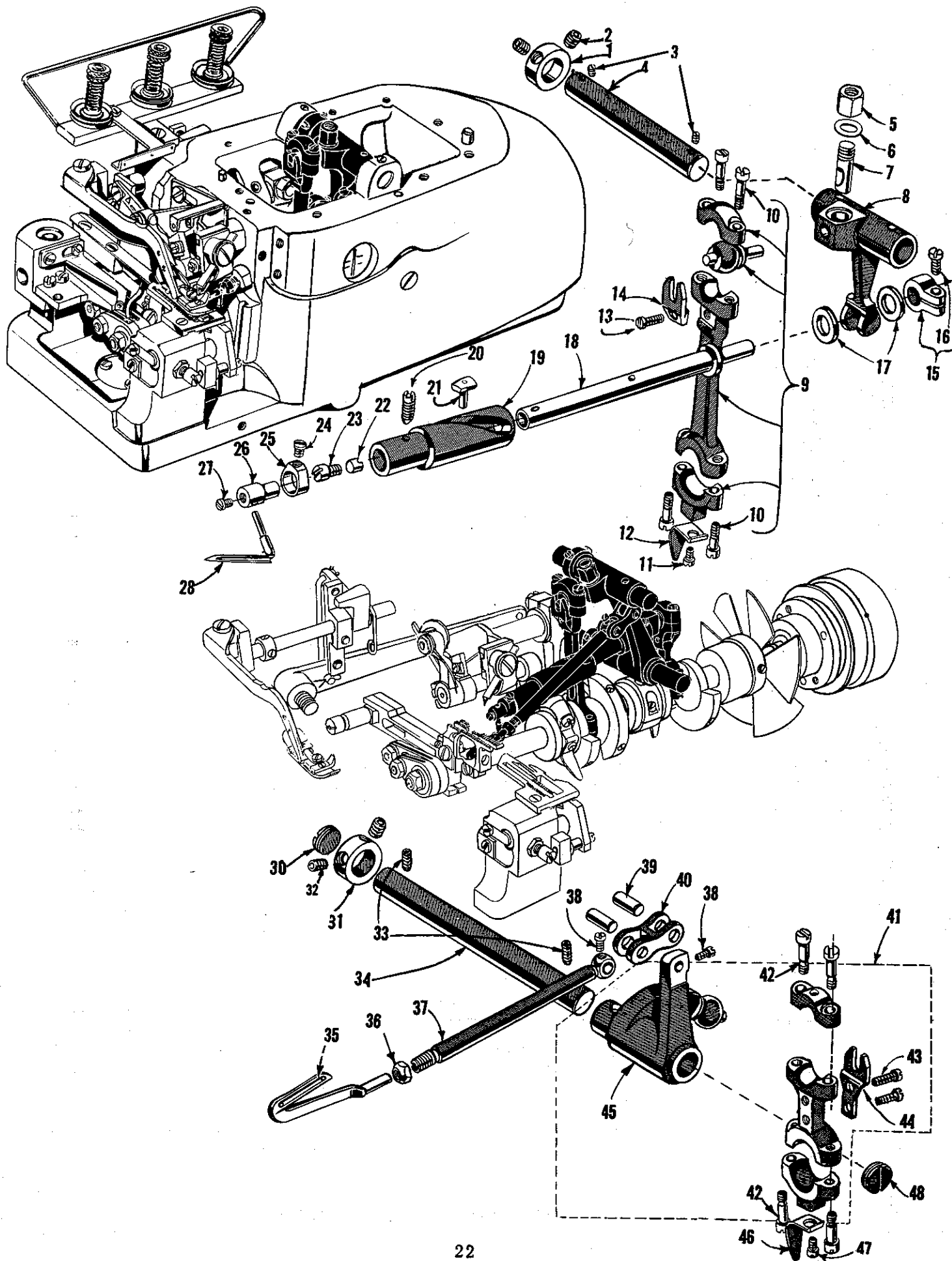
CRANKSHAFT MECHANISM AND BUSHINGS

<u>Ref. No.</u>	<u>Part No.</u>	<u>Description</u>	<u>Amt. Req.</u>
1	22769 A	Screw - Crankshaft-	1
2	39521 A	Pulley Cap -	1
3	39521	Pulley-	1
4	95	Screws - Pulley-	2
5	39590 H	Crankshaft Ball Bearing Retaining Plate-	1
6	22569	Screws - Ball Bearing Plate-	3
7	660-231	Crankshaft Ball Bearing -	1
8	39590 G	Crankshaft Ball Bearing Housing -	1
9	39590 J	Thrust Washer-	1
10	39591 G	Crank Chamber Cooling Fan-	1
11	39591 H	Crank Chamber Cooling Fan Collar-	1
12	22894 D	Screws - Cooling Fan Collar-	2
13	39590 F	Crankshaft Bearing, inner right -	1
14	22565 H	Screw - Crankshaft Bearing -	1
15	39522 A	Crankshaft -	1
16	39590 D	Crankshaft Split Bearing -	1
17	97 A	Screws - Split Bearing -	2
18	22747 B	Screws - Crankshaft Counterweight -	2
19	39591 B	Crankshaft Counterweight, right -	1
20	39591 A	Crankshaft Counterweight, middle-	1
21	22747 B	Screws - Crankshaft Counterweight -	2
22	39590 N	Stud - Crankshaft Split Bearing -	1
23	39591	Crankshaft Counterweight, left -	1
24	22747 B	Screws - Crankshaft Counterweight -	2
25	39541	Feed Driving Eccentric Key -	1
26	666-94	Oil Wick and Spring -	1
27	39590	Crankshaft Bushing, left -	1
28	39590 C	Crankshaft Bushing, inner left -	1
29	39555 E	Foot Lifter Shaft Bushing, left -	1
30	39142 G	Foot Lifter Shaft Bushing, right-	1
31	39573 B	Upper Knife Driving Arm Bushing, left-	1
32	39573 C	Upper Knife Driving Arm Bushing, right -	1
33	39552 B	Needle Driving Arm Crank Bushing-	1
34	39544 A	Lower Looper Bar Bushing -	1



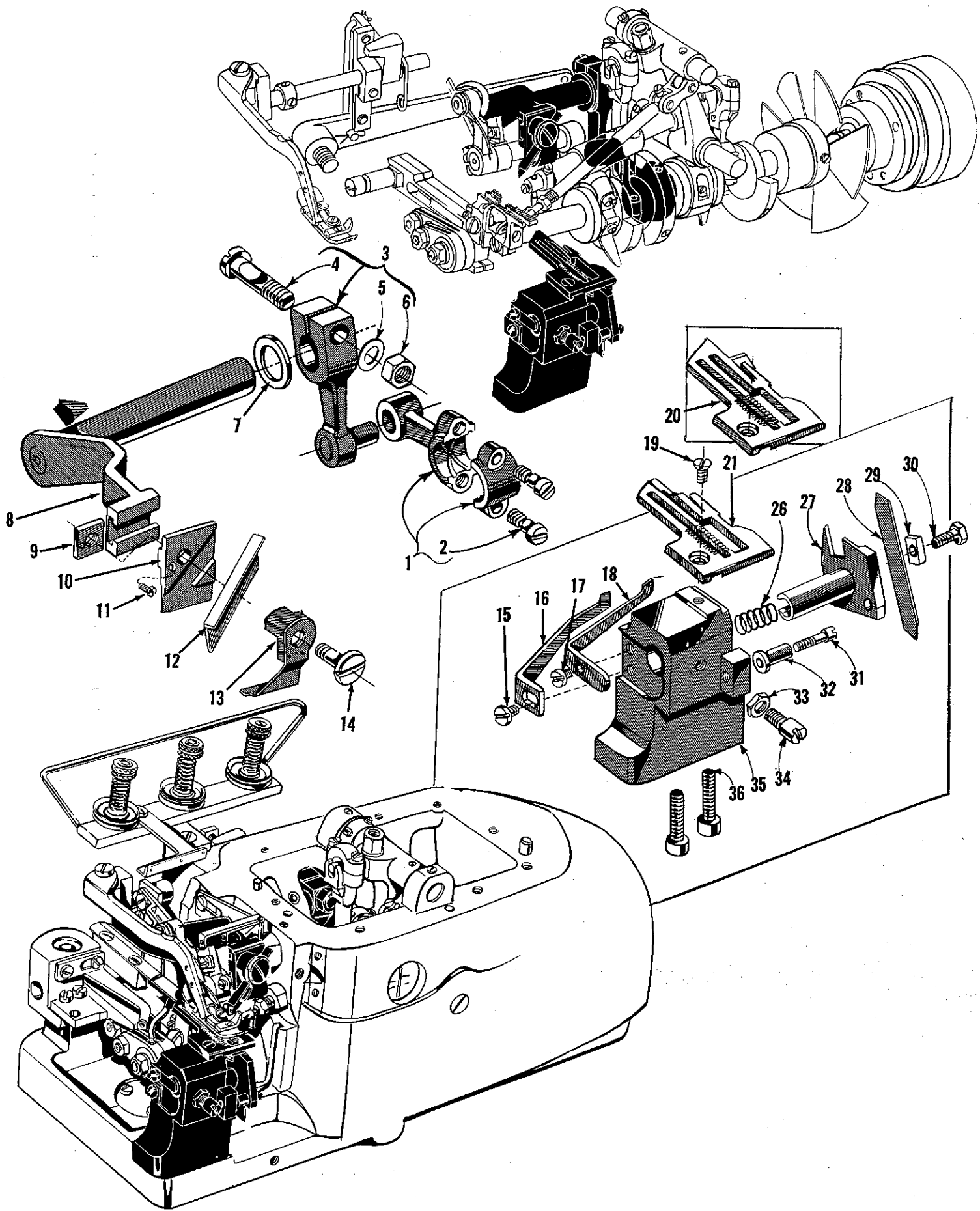
NEEDLE DRIVE AND FEED MECHANISM

<u>Ref. No.</u>	<u>Part No.</u>	<u>Description</u>	<u>Amt. Req.</u>
1	87	Screws - Fabric Guard-----	2
2	39578 D	Fabric Guard -----	1
3	22569 B	Screws - Mounting Bracket -----	2
4	53634 C	Mounting Bracket Washers -----	2
5	39578 E	Fabric Guard Mounting Bracket-----	1
6	22565 F	Screw - Adjusting Pin-----	1
7	39535 C	Feed Tilting Adjusting Pin-----	1
8	39535	Main Feed Bar Guide, left-----	1
9	53634 C	Feed Bar Guide Washer, left -----	2
10	22569	Screws - Feed Bar Guide, left-----	2
11	39535 B	Feed Bar Guide Blocks-----	2
12	39535 A	Differential Feed Bar Guide, right -----	1
13	53634 C	Feed Bar Guide Washers, right-----	2
14	22569 B	Screws - Feed Bar Guide, right-----	2
15	22569 B	Screws - Thrust Washer -----	3
16	39534 H	Differential Feed Bar Thrust Washer-----	1
17	39538	Feed Lift Block -----	1
18	39534 G	Differential Feed Bar -----	1
19	39526 B	Differential Feed Dog, for Styles 39500 A & B, 16 teeth to inch -----	1
	39526 D	Same as 39526 B, except 20 teeth to inch-----	1
20	22528	Screw - Differential Feed Dog -----	1
21	39505 C	Chaining Feed Dog, for Style 39500 A-----	1
	39505	Chaining Feed Dog, for Style 39500 B-----	1
22	22797	Screw - Chaining Feed Dog -----	1
23	39534	Main Feed Bar -----	1
24	39505 B	Main Feed Dog, for Styles 39500 A & B, 16 teeth to inch----	1
	39505 D	Same as 39505 B, except 20 teeth to inch-----	1
25	22528	Screw - Main Feed Dog -----	1
26	39540-12	Differential Feed Driving Eccentric -----	1
27	39536 A	Differential Feed Bar Driving Connection -----	1
28	39540-14	Main Feed Driving Eccentric -----	1
29	39536	Main Feed Bar Driving Connection -----	1
30	462	Nut - Crankshaft -----	1
31	39536 E	Nuts - Feed Bar Driving Studs -----	2
32	39536 C	Feed Bar Driving Connections Bushings-----	2
33	39536 B	Feed Bar Driving Studs -----	2
34	14077	Nut - Needle Clamp Stud -----	1
35	39551 A	Needle Clamp Washer-----	1
36		Needle -----	1
37	39552	Needle Driving Arm -----	1
38	22596 D	Screw - Needle Driving Arm-----	1
39	50-774 Blk.	Stop Pin - Needle Driving Arm-----	1
40	39551	Needle Clamp Stud-----	1
41	39563 G	Needle Thread Cam Pull-off -----	1
42	77 A	Screw - Needle Thread Cam Pull-off -----	1
43	22564	Screw - Looper Thread Pull-off-----	1
44	39568 A	Looper Thread Pull-off -----	1
45	39568 N	Looper Thread Pull-off Lever -----	1
46	88 B	Screw - Looper Thread Pull-off Lever-----	1
47	39552 C	Needle Driving Arm Crank Thrust Washer -----	1
48	39552 A	Needle Driving Arm Crank -----	1
49	39552 E	Needle Driving Arm Crank Connecting Rod -----	1
50	22587 J	Screws - Connecting Rod -----	2
51	39594 N	Oil Splasher -----	1
52	77	Screw - Oil Splasher-----	1



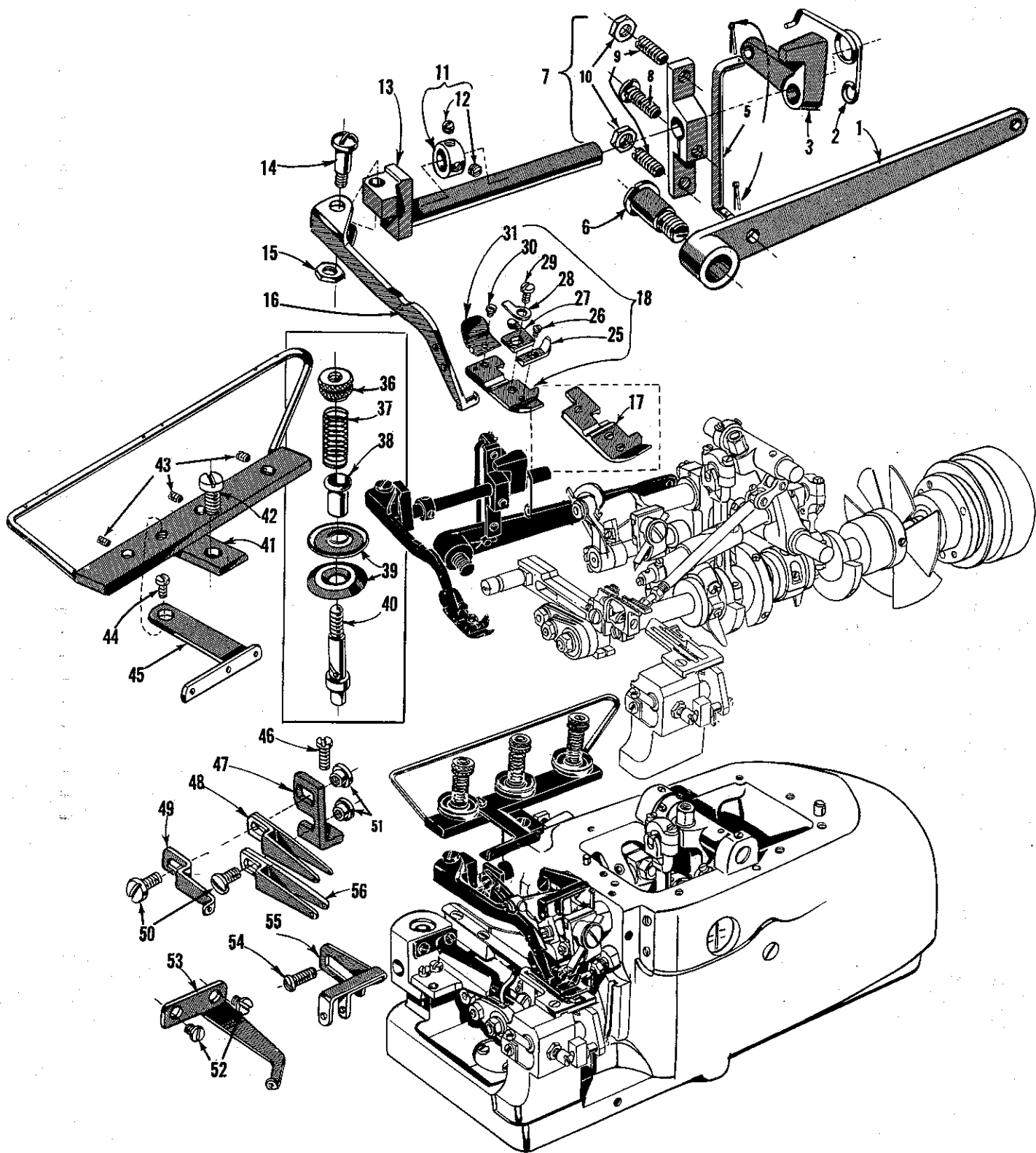
UPPER AND LOWER LOOPER DRIVING PARTS

<u>Ref. No.</u>	<u>Part No.</u>	<u>Description</u>	<u>Amt. Req.</u>
1	482 C	Upper Looper Shaft Collar -----	1
2	22894 C	Screws - Collar-----	2
3	22565	Screws - Upper Looper Drive Lever Shaft -----	2
4	7446 A	Upper Looper Drive Lever Shaft -----	1
5	1280	Nut - Locking Stud -----	1
6	39543 R	Locking Stud Washer -----	1
7	43143 N	Locking Stud - Upper Looper Drive Lever -----	1
8	39543 H	Upper Looper Drive Lever -----	1
9	29126 CG	Upper Looper Drive Lever Connecting Rod Assembly -----	1
10	22559 A	Screws - Connecting Rod Assembly -----	4
11	77	Screw - Oil Splasher -----	1
12	39594 N	Oil Splasher -----	1
13	22747	Screw - Guide Fork -----	1
14	41255 B	Ball Joint Guide Fork - Upper Looper Drive Assembly -----	1
15	39543 M	Collar Clamp -----	1
16	22562 A	Screw - Collar Clamp -----	1
17	39543 P	Upper Looper Shaft Thrust Washers-----	2
18	39543 K	Upper Looper Shaft-----	1
19	39543 C	Bushing and Cam Guide -----	1
20	22565 H	Screw - Cam Guide-----	1
21	39543 D	Cam Follower -----	1
22	39543 E	Cam Follower Locking Clamp -----	1
23	22503 F	Screw - Locking Clamp -----	1
24	22 KH	Screw - Upper Looper Holder Collar -----	1
25	39543 A	Upper Looper Holder Collar-----	1
26	39543	Upper Looper Holder -----	1
27	22564 C	Screw - Upper Looper Holder -----	1
28	39508 A	Upper Looper-----	1
30	22539 K	Plug Screw - Lower Looper Shaft -----	1
31	482 C	Lower Looper Shaft Collar -----	1
32	22894 C	Screws - Collar-----	2
33	22894 R	Screws - Lower Looper Bar Driving Lever Shaft -----	2
34	51235 B	Lower Looper Bar Driving Lever Shaft -----	1
35	39508 B	Lower Looper -----	1
36	39151	Nut - Lower Looper Bar -----	1
37	39544	Lower Looper Bar -----	1
38	77	Screws - Connection Link Pin -----	2
39	39544 D	Lower Looper Bar Connection Link Pins-----	2
40	39544 B	Lower Looper Bar Connection Link -----	1
41	29126 CW	Lower Looper Bar Driving Lever and Connecting Rod Assembly -----	1
42	22559 A	Screw-----	4
43	97	Screw-----	2
44	39544 J	Ball Joint Guide Fork-----	1
45	39544 E	Lower Looper Bar Driving Lever -----	1
46	39594 N	Oil Splasher -----	1
47	77	Screw-----	1
48	22539 K	Plug Screw, Lower Looper Shaft-----	1



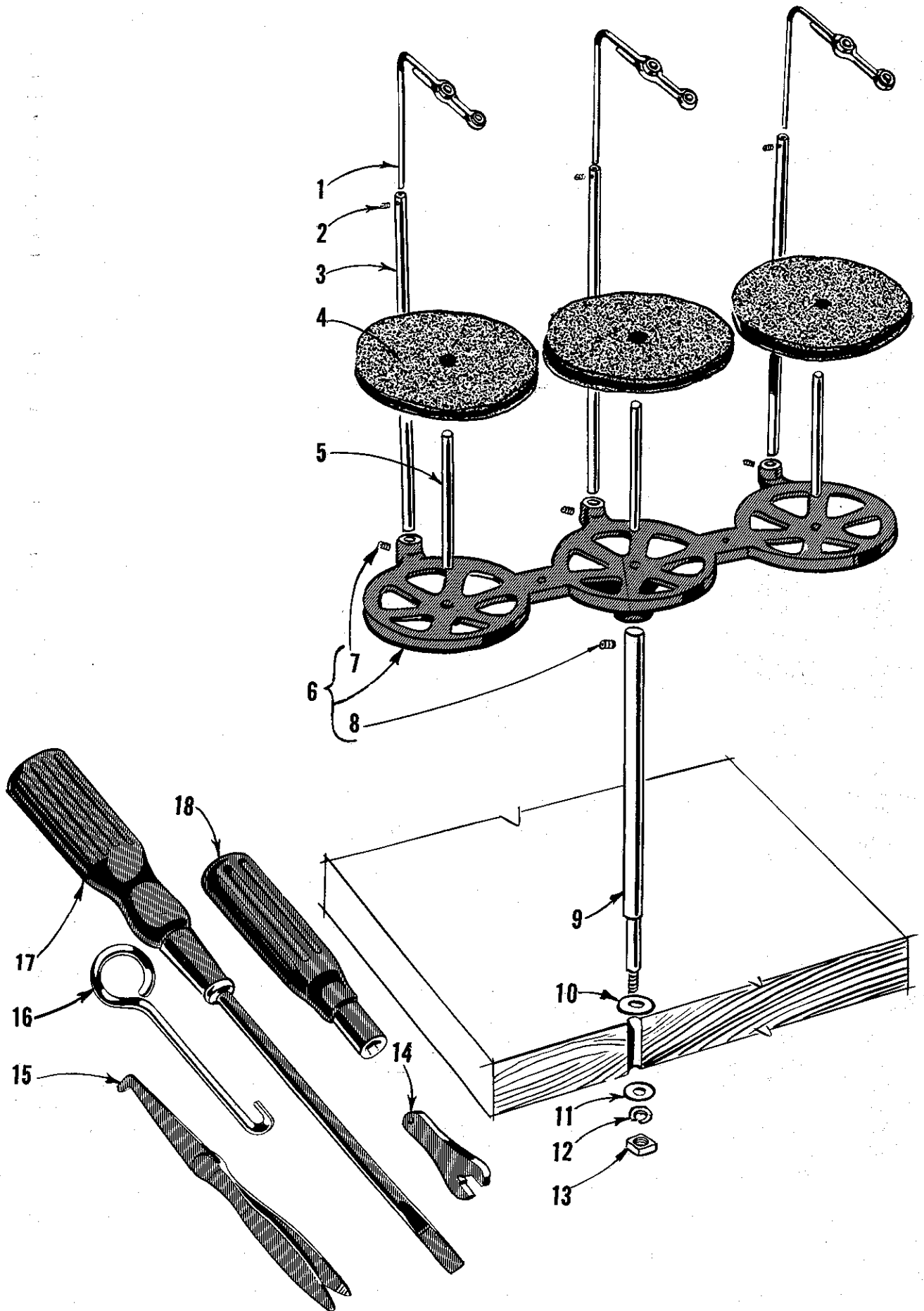
UPPER AND LOWER KNIFE MECHANISM

<u>Ref. No.</u>	<u>Part No.</u>	<u>Description</u>	<u>Amt. Req.</u>
1	39573 G	Upper Knife Driving Connecting Rod- - - - -	1
2	22587 J	Screws - Connecting Rod - - - - -	2
3	39573 E	Upper Knife Driving Lever - - - - -	1
4	55235 D	Locking Stud - Driving Lever - - - - -	1
5	6042 A	Washer - Driving Lever - - - - -	1
6	55235 E	Nut - Driving Lever - - - - -	1
7	39573 A	Upper Knife Driving Arm Washer - - - - -	1
8	39573 H	Upper Knife Driving Arm - - - - -	1
9	39571 A	Upper Knife Clamp Nut - - - - -	1
10	39572	Upper Knife Holder Block - - - - -	1
11	22738	Screw - Holder Block - Clamp Nut - - - - -	1
12	39570	Upper Knife - - - - -	1
13	39571	Upper Knife Clamp - - - - -	1
14	22581 A	Screw - Upper Knife Assembly - - - - -	1
15	90	Screw - Needle Guard, Front - - - - -	1
16	39525	Needle Guard, Front - - - - -	1
17	90	Screw - Needle Guard, Rear - - - - -	1
18	39525 A	Needle Guard, Rear - - - - -	1
19	22524	Screw - Throat Plate - - - - -	1
20	39524 C-3/32	Throat Plate, 3/32 inch wide seam, for Style 39500 A - - - - -	1
	39524 C-1/8	Throat Plate, 1/8 inch wide seam, for Style 39500 A - - - - -	1
21	39524 B-3/32	Throat Plate, 3/32 inch wide seam, for Style 39500 B - - - - -	1
	39524 B- 1/8	Throat Plate, 1/8 inch wide seam, for Style 39500 B - - - - -	1
26	39550 E	Lower Knife Holder Spring - - - - -	1
27	39550 B	Lower Knife Holder - - - - -	1
28	39549	Lower Knife - - - - -	1
29	39550 G	Lower Knife Clamp - - - - -	1
30	22588 A	Screw - Lower Knife Holder - - - - -	1
31	22729 B	Screw - Lower Knife Holder Locking Stud - - - - -	1
32	39550 C	Lower Knife Holder Locking Stud - - - - -	1
33	14077	Nut - Locking Screw - Lower Knife Holder - - - - -	1
34	22892 B	Locking Screw - Lower Knife Holder - - - - -	1
35	39580 A	Throat Plate and Lower Knife Support Bracket - - - - -	1
36	22653 B-12	Screws - Support Bracket - - - - -	2



FOOT LIFTER, THREAD TENSIONS AND MISCELLANEOUS EYELETS

<u>Ref. No.</u>	<u>Part No.</u>	<u>Description</u>	<u>Amt. Req.</u>
1	39555	Foot Lifter Lever -----	1
2	39555 B	Foot Lifter Lever Spring -----	1
3	39555 D	Foot Lifter Intermediate Lever -----	1
4	660-142	Cotter Pins - Connecting Link -----	2
5	39555 F	Foot Lifter Lever Connecting Link -----	1
6	22566 B	Screw - Foot Lifter Lever -----	1
7	39555 C	Foot Lifter Lever Arm -----	1
8	136	Screw - Lever Arm -----	1
9	22597 E	Screws - Lever Arm -----	2
10	12538	Lock Nuts - Lever Arm -----	2
11	12865	Foot Lifter Lever Shaft Collar -----	1
12	88	Screws - Collar -----	2
13	39555 A	Foot Lifter Lever Shaft -----	1
14	22598 E	Screw - Presser Arm -----	1
15	14077	Nut - Presser Arm -----	1
16	39556	Presser Arm -----	1
17	39520 B	Presser Foot, for Style 39500 A -----	1
18	39520 A	Presser Foot, for Style 39500 B -----	1
25	39530 A	Presser Foot Chip Guard -----	1
26	22738 B	Screw - Chip Guard -----	1
27	39597 A	Presser Foot Stitch Tongue -----	1
28	39530	Presser Foot Hinge Spring -----	1
29	22768 B	Screw - Tongue and Spring -----	1
30	22738 F	Screw - Chain Shield -----	1
31	39530 C	Presser Foot Chain Shield -----	1
36	108	Tension Post Nuts -----	3
37	51292 F-4	Looper Thread Tension Springs -----	2
	51292 F-8	Needle Thread Tension Spring -----	1
38	107	Tension Post Ferrules -----	3
39	109	Tension Discs -----	6
40	35792 H	Tension Posts -----	3
41	39592	Tension Post Mounting Bracket -----	1
42	22891	Screw - Tension Post Mounting Bracket -----	1
43	22565 C	Screws - Tension Posts -----	3
44	90	Screw - Thread Guide -----	1
45	39563 C	Thread Guide -----	1
46	22569 B	Screw - Eyelet Mounting Bracket -----	1
47	39568 D	Looper Thread Eyelet Mounting Bracket -----	1
48	39568 L	Upper Looper Thread Eyelet -----	1
49	39568 E	Auxiliary Looper Thread Eyelet -----	1
50	376 A	Screws - Looper Thread Eyelets -----	2
51	43139 A	Nuts - Looper Thread Eyelets -----	2
52	73 X	Screws - Frame Thread Guide -----	2
53	39568 M	Frame Thread Guide - Lower Looper Thread -----	1
54	22569 D	Screw - Needle Thread Eyelet -----	1
55	39563 H	Needle Thread Eyelet -----	1
56	39568 B	Lower Looper Thread Eyelet -----	1



THREAD STAND AND MISCELLANEOUS TOOLS

Ref. No.	Part No.	Description	Amt. Req.
1	21113 D	Thread Eyelet -----	3
2	22743	Screws - Thread Eyelet -----	3
3	21113 E	Thread Eyelet Support Rod-----	3
4	21104 V	Felt Pad -----	3
5	69 S	Spool Pin -----	3
6	21130 W-3	Cone Support -----	1
7	22650 CB-4	Screws - Cone Support -----	3
8	22650 CE-6	Screw - Cone Support -----	1
9	21104 AA	Thread Stand Rod -----	1
10	652-24	Washer - Thread Stand Rod -----	1
11	652-16	Washer - Thread Stand Rod -----	1
12	WA9 A	Lock Washer -----	1
13	651 A-16	Nut - Thread Stand Rod-----	1
14	116	Wrench, for 9/32 inch nuts -----	1
15	660-240	Thread Tweezers -----	1
16	21227 BF	Feed Eccentric Extractor Hook-----	1
17	21202	Screw Driver, 1/4 inch diameter, 11 inches long-----	1
18	21388 AS	Socket Wrench, for 3/8 inch nuts holding feed eccentrics-----	1

ACCESSORIES AVAILABLE AS EXTRAS (Not Illustrated)

21233 BR	Light Fixture Assembly, including blue lens, machine mounting for machines driven by "Electro Drive" which supplies the current.
21261 M-360	No. 1 "V" Belt, 36 inches long, for fully submerged individual power table installations.
21261 M-380	No. 1 "V" Belt, 38 inches long, for semisubmerged individual power table installations.
21261 M-400	No. 1 "V" Belt, 40 inches long, for nonsubmerged individual power table installations.
21377 BA	Tray, 1 3/4 inches high, for semisubmerged installations.
21377 BF	Tray, 1 3/4 inches high, for semisubmerged installations with front section extended to right.
21695 U	Finger Protector.
39556 B	Presser Arm Chain Cutting Knife, lower.
39556 C	Presser Arm Chain Cutting Knife, upper.
605	Presser Arm Chain Cutting Knife Screws (two needed).
39595	Isolator, Rubber.
39598	Knife Grinder, complete.
52978 J	Chip Disposal Chute.

		Belt Slot to Right Edge of Board	Cloth Plate to Front Edge of Board
21371 NK	Individual Power Table		
21371 PJ-48	Table Top, 48 x 20 x 1 3/4 inches, for individual power table installations:		
	Nonsubmerged - no chip chute;	14 inch	3/8 inch
21371 RD-48	Table Top, same except Nonsubmerged;	7 1/2 inch	3 inch
21371 RF-48	Table Top, same except Nonsubmerged - no chip chute;	7 1/2 inch	3/8 inch
21371 RJ-48	Table Top, same except Semisubmerged;	10 1/2 inch	2 1/4 inch
21371 RL-48	Table Top, same except Semisubmerged;	7 1/2 inch	2 1/4 inch
21371 RG-48	Table Top, same except Fully Submerged	7 1/2 inch	2 1/4 inch
21371 RK-48	Table Top, same except Fully Submerged	10 1/2 inch	2 1/4 inch
21371 RC-47 3/4	Table Top, 47 3/4 x 16 x 1 3/4 inches, for line shaft installations:		
	Nonsubmerged - no chip chute	7 1/2 inch	3/8 inch
21371 RE-47 3/4	Table Top, same except Nonsubmerged;	7 1/2 inch	3 inch
21371 RH-47 3/4	Table Top, same except Semisubmerged;	7 1/2 inch	2 1/4 inch

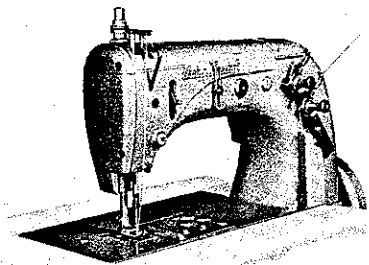
NUMERICAL INDEX OF PARTS

<u>Part No.</u>	<u>Page No.</u>	<u>Part No.</u>	<u>Page No.</u>	<u>Part No.</u>	<u>Page No.</u>	<u>Part No.</u>	<u>Page No.</u>
WA9 A	29	22569	19-21	39534 G	21	39568 B	27
22 KH	23	22569 A	17	39534 H	21	39568 D	27
50-774 Blk	21	22569 B	17-21-27	39534 R	17	39568 E	27
50-817 Blk	17	22569 C	17	39535	21	39568 J	17
69 S	29	22569 D	17-27	39535 A	21	39568 L	27
73 X	27	22571 B	17	39535 B	21	39568 M	27
77	21-23	22581 A	25	39535 C	21	39568 N	21
77 A	21	22587 J	21-25	39536	21	39570	25
86 X	17	22588 A	25	39536 A	21	39571	25
87	21	22589	21	39536 B	21	39571 A	25
88	27	22596 D	21	39536 C	21	39572	25
88 B	21	22597 E	27	39536 E	21	39573 A	25
90	17-25-27	22598 E	27	39538	21	39573 B	19
95	19	22650 CB-4	29	39540-12	21	39573 C	19
97	23	22650 CE-6	29	39540-14	21	39573 E	25
97 A	19	22653 B-12	25	39541	19	39573 G	25
107	27	22653 D-4	17	39543	23	39573 H	25
108	27	22729 B	25	39543 A	23	39578 B	17
109	27	22738	25	39543 C	23	39578 D	21
116	29	22738 B	27	39543 D	23	39578 E	21
136	27	22738 F	27	39543 E	23	39578 F	17
138	17	22743	17-29	39543 H	23	39580 A	25
376 A	27	22747	23	39543 K	23	39582	17
462	21	22747 B	19	39543 M	23	39582 A	17
482 C	23	22768 B	27	39543 P	23	39582 B	17
651 A-16	29	22769 A	19	39543 R	23	39582 C	17
652-16	29	22797	21	39544	23	39582 D	17
652-24	29	22891	27	39544 A	19	39582 F	17
660-142	27	22892 B	25	39544 B	23	39582 L	17
660-231	19	22894 C	23	39544 D	23	39582 M	17
660-234	17	22894 D	19	39544 E	23	39590	19
660-240	29	22894 R	17-23	39549	25	39590 C	19
660-243	17	29126 CG	23	39550 B	25	39590 D	19
		29126 CW	23	39550 C	25	39590 F	19
666-94	19	29477 GW	17	39550 E	25	39590 G	19
1280	23	35792 H	27	39550 G	25	39590 H	19
6042 A	25	39142 G	19	39551	21	39590 J	19
7446 A	23	39151	23	39551 A	21	39590 N	19
12538	27	39501	17	39552	21	39591	19
12865	27	39501 A	17	39552 A	21	39591 A	19
14077	21-25-27	39501 B	17	39552 B	19	39591 B	19
21104 V	29	39501 C	17	39552 C	21	39591 G	19
21104 AA	29	39505	21	39552 D	21	39591 H	19
21113 D	29	39505 B	21	39552 E	21	39592	27
21113 E	29	39505 C	21	39555	27	39593 C	17
21130 W-3	29	39508 A	23	39555 A	27	39593 D	17
21202	29	39508 B	23	39555 B	27	39593 E	17
21227 BF	29	39520 A	27	39555 C	27	39594	17
21388 AS	29	39520 B	27	39555 D	27	39594 G	17
22503 F	23	39521	19	39555 E	19	39594 H	17
22524	25	39521 A	19	39555 F	27	39594 N	21-23
22528	21	39522 A	19	39556	27	39597 A	27
22539 K	23	39524 B-3/32	25	39556 A	17	41071 G	17
22541	17	39524 B-1/8	25	39557	17	41255 B	23
22559 A	23	39524 C-3/32	25	39557 A	17	43139 A	27
22562 A	23	39524 C-1/8	25	39557 B	17	43143 N	23
22564	21	39525	25	39557 C	17	51235 B	23
22564 C	23	39525 A	25	39557 E	17	51292 F-4	27
22565	17-23	39526 B	21	39557 F	17	51292 F-8	27
22565 B	17	39530	27	39563 C	27	53634 C	21
22565 C	27	39530 A	27	39563 F	17	55235 D	25
22565 F	21	39530 C	27	39563 G	21	55235 E	25
22565 H	19-23	39532 A	17	39563 H	27		
22566 B	27	39534	21	39568 A	21		

INDUSTRIAL SEWING MACHINES

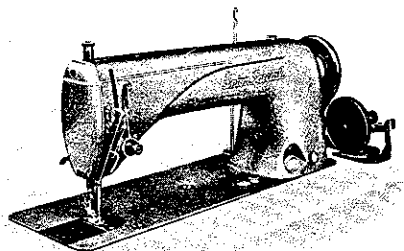
... for Every Purpose!

Job requirements vary — that's why Union Special builds a wide variety of specially designed sewing machines. It is also the reason why Union Special field representatives make a careful study of requirements before giving you detailed recommendations on the kind of equipment to install. Plants equipped with modern, high speed Union Specials have an important advantage. Union Special machines are built to do the job faster . . . better . . . cheaper, and they stay on the job with minimum time out for repairs. You're ahead when you use Union Special.



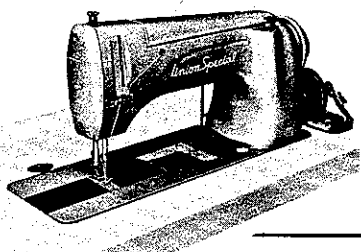
50000 SERIES MACHINES

The thousands of manufacturers using Union Special's new 50000 SERIES machines are finding these ultra-modern, streamlined models to be invaluable aids in cutting costs of operations and boosting production of a wide variety of products. Each of the many machines in the improved 50000 SERIES is specially designed to do a specific job efficiently, quickly, and economically!



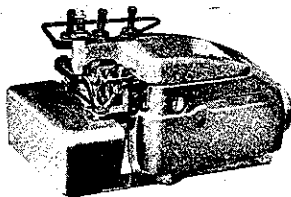
THE 61400 LOCKSTITCH

Never before has a general purpose Lockstitch machine been so thoroughly engineered for handling modern industrial sewing requirements! And never has a machine offered more than the new Union Special SIXTY-ONE-FOUR — a superior machine for light or heavy weight work . . . for short runs as well as long . . . for tacking and back stitching . . . for curved seams and straight runs.



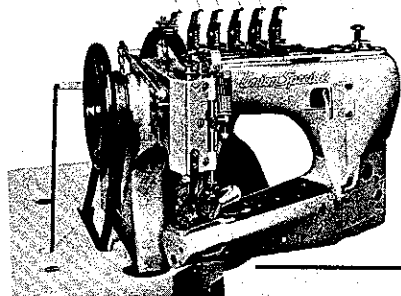
NEEDLE FEED LOCKSTITCH MACHINES

Latest improvements in engineering, manufacturing methods, and materials have been combined in Union Special Class 61800 and Class 62200 needle feed Lockstitch machines providing operators with smooth, streamlined, light-running machines that reduce fatigue and strain. It's no wonder that manufacturers in plants throughout the country are praising the superior performance of these ultra-modern machines!



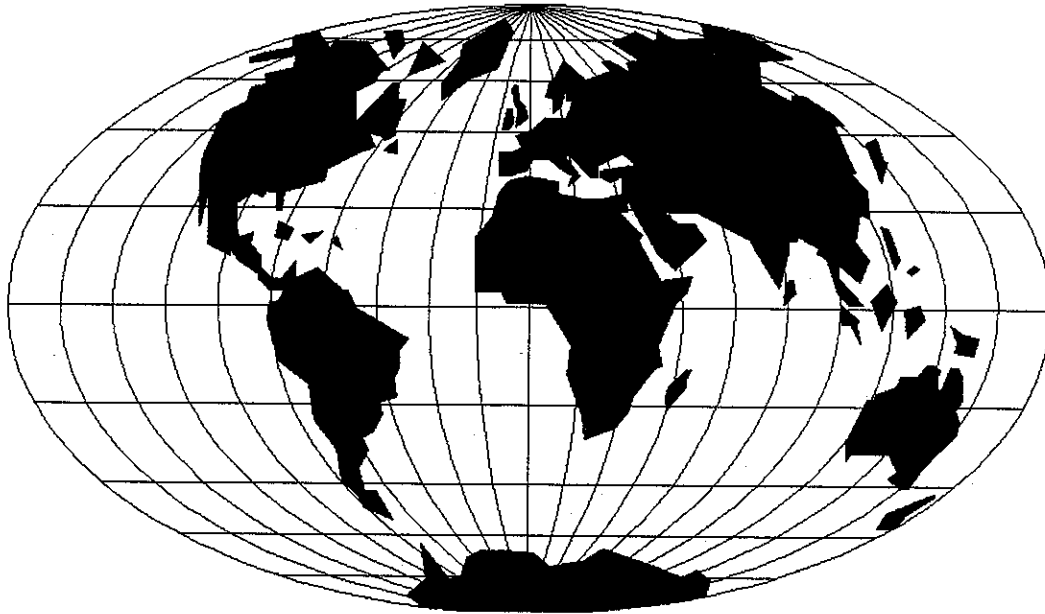
THE NEW CLASS 39500 OVEREDGER

This new development antiquates every machine presently on the market for use where a curved needle machine is recommended. From its handsome, dynamically functional, modern design to its innermost mechanism, the THIRTY-NINE-FIVE has been produced to accelerate quicker . . . run faster . . . operate more smoothly and quietly . . . with less maintenance . . . and yield a greater profit than any other like equipment available to users today.



35700-35800 FEED-OFF-THE-ARM MACHINES

Union Special's popular feed-off-the-arm felling machines are light running, smooth operating machines that offer great advantages: sewing head of the latest type, new presser bar which practically eliminates feed marking, and presser foot which will lift at the lightest touch. Faster felling is certain with Union Special Class 35700-35800 feed-off-the-arm machines.



WORLDWIDE SALES AND SERVICE

Union Special Corporation maintains sales and service facilities throughout the world. These offices will aid you in the selection of the right sewing equipment for your particular operation. Union Special Corporation representatives and service technicians are factory trained and are able to serve your needs promptly and efficiently. Whatever your location, there is a qualified representative to serve you.

Brussels, Belgium
Charlotte, N.C.
El Paso, TX
Hong Kong, China
Huntley, IL
Leicester, England
Lille, France
Miami, FL
Milan, Italy
Möglingen, Germany
Montreal, Quebec
Osaka, Japan
Santa Fe Springs, CA

Other Representatives throughout
all parts of the world.



Union Special
INDUSTRIAL SEWING EQUIPMENT