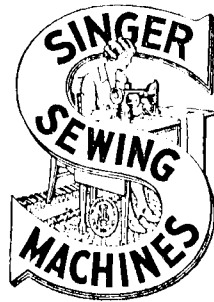


SINGER
133W100

LIST OF PARTS



MACHINE No. 133w100

INDEX

	PAGE
ACCESSORIES	15
BOBBIN WINDER	16
CORD GUIDE	18
MACHINE No. 133w100	7
MISCELLANEOUS PARTS	17
NUMERICAL LIST OF PARTS	19
THREAD UNWINDER	17

THE SINGER MANUFACTURING COMPANY

Instructions for Ordering

In ordering from this list, use **ONLY** the **PART** number in the **FIRST** column.

The number stamped on a Sewing Machine Part is the number of the Single Part only, except when the part includes Set Screws, Clamping Screws, Studs and Rollers Spun on, Small Wires riveted, or Parts soldered together, etc., which it is necessary to furnish in combination.

Every combination of parts sent out has its specific number which, although not stamped on Parts (except in above case), must be used when ordering the combination.

Each number always indicates the **SAME PART** in whatever list it appears, or for whatever Machine.

The letters after some of the numbers indicate the style of finish only, as follows:

- A. Hardened, Polished and Plated.
- B. Polished and Plated.
- C. Hardened only.
- D. Polished only.
- E. Soft, not polished.
- F. Hardened and Polished.
- H. Blued.

These letters **MUST BE USED** when they appear in the list and **AFTER** the number, as in the list.

In this series

200001 to 201500 are Screw Numbers.

201501 to 201800 are Nut Numbers.

201801 to 202000 are Roller Numbers.

202001 and upward are Numbers of Machine Parts.

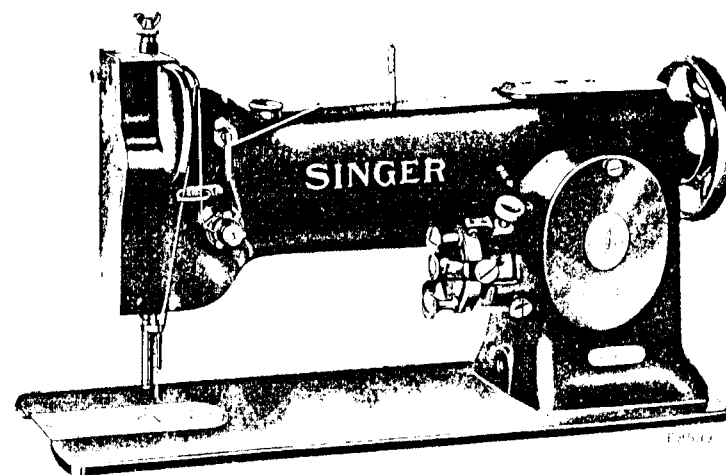
The figures in the second column refer only to the plate in which the illustration of the part is shown and are **NOT TO BE USED** in ordering.

Two or more numbers over a cut indicate that the difference between such parts is not visible in an illustration.

Parts marked with an asterisk (*) are furnished only when repairs are made at the factory.

LIST OF PARTS COMPLETE

FOR



MACHINE No. 133w100

HIGH SPEED. GEAR DRIVEN ROTARY HOOK.

LOCK STITCH

For Flat Stitch Embroidery and Madeira Eyelets

No.	Plate	Name
*240801	-	Arm with 202135
224002	15251	" Cap
200278u	15253	" " Screw
202248	15253	" " Washer
204235	15253	" Position Pin (2)
200010e	15253	" Screw (3)
202005	15253	" " Washer (3)
237702	15252	" Shaft with 200357r and 203100
240802	15251	" " Bushing (back) with
		202244
207080	15251	Arm Shaft Bushing (front) with
		202244
200502r	15253	Arm Shaft Bushing (front) Oil
		Packing Thumb Screw
202244	-----	Arm Shaft Bushing Oil Packing
		(wick)

No.	Plate	Name
200338c	15253	Arm Shaft Bushing Set Screw (2)
203100	---	" " Oil Packing (wick) ...
200357E	15253	" " " " Stop Screw ...
240803	15251	" Side Cover
200462B	15253	" " Cover Thumb Screw
223842	15252	Balance Wheel (felt groove 2 3/4 in. diam.) with 200328c and 200335c
200062H	15253	Balance Wheel Adjusting Screw ..
200328c	15253	" " Position Screw
200335c	15253	" " Set Screw
*240804	---	Bed
240805	15251	" Slide (front)
210530	15253	Bobbin
240806	15253	" Case Base
240807	15253	" " Cap with 200592c, 201016F and 240813
240808	---	Bobbin Case Cap complete, Nos. 200964E, 210736, 240807 and 240810
240809	15253	Bobbin Case Latch
240810	---	" " " 240809 with 210735 and 240811
210735	15253	Bobbin Case Latch Fulcrum Pin ..
240811	15253	" " " Lever
210736	15253	" " " Spring
200964E	15253	" " " Stop Screw ...
240813	15253	" " Tension Spring
201016F	15253	" " " " Regulating Screw
200592c	15253	Bobbin Case Tension Spring Screw
240812	15253	" " Stop
200082D	10881	" " " Screw
240814	---	Bobbin Case complete, Nos. 240806 and 240808
240815	15252	Face Plate
202135	15253	" " Position Pin
200473B	15253	" " Thumb Screw
*240816	- -	Hook (sewing)
240817	15254	" 240816 with 200145c, 203101, 240819, 240864, two 1253c and three 200596F
240818	---	Hook and Bobbin Case complete, Nos. 240814 and 240817
240819	15254	Hook Gib
200596F	15254	" " Screw (3)
203101	---	" Oil Packing (wick)
1253c	15254	" Set Screw
240820	15252	" Shaft
241111	15254	" " Bevel Gear with two 1253c

No.	Plate	Name
201318E	15251	Hook Shaft Bevel Gear Guard Oil Stop Screw
50234D	15254	Hook Shaft Bevel Gear Guard Oil Stop Screw
241171	-	Hook Shaft Bevel Gear Guard Oil Stop Screw Washer (leather) ..
121E	15254	Hook Shaft Bevel Gear Guard Screw
*241177	-	Hook Shaft Bevel Gear Guard Section (back)
*241178	-	Hook Shaft Bevel Gear Guard Section (front)
241179	15251	Hook Shaft Bevel Gear Guard complete, Nos. 121E, 50234D, 201518E, 241171, 241177 and 241178
1253c	15251	Hook Shaft Bevel Gear Set Screw
241180	15254	" " Bushing (back) with 202423
202423	-	Hook Shaft Bushing (back) Oil Packing (wick)
241188	15254	Hook Shaft Bushing (front) with 241189
241189	-	Hook Shaft Bushing (front) Oil Packing (wick)
200346c	15254	Hook Shaft Bushing Set Screw (2)
240864	15254	" Washer Needle Guard
200145c	15251	" " " " Screw
202976	15254	Needle Bar with 200141E
202552	15254	" " Connecting Link
202333	15254	" " " " Stud with 202254
202254	-	Needle Bar Connecting Link Stud Oil Packing (wick)
200374c	15256	Needle Bar Connecting Link Stud Set Screw
200383c	15256	Needle Bar Connecting Link Stud Set Screw
*206891	---	Needle Bar Connecting Stud
202329	15256	" " " " 206891 with 200086c and 202330
202330	---	Needle Bar Connecting Stud Oil Packing (wick)
200086c	15256	Needle Bar Connecting Stud Pinch Screw
210725	15251	Needle Bar Crank with 200335c, 200374c, 200383c, 200428c and 202333

No.	Plate	Name
203172	15256	Needle Bar Crank Friction Washer
200428c	15256	" " " Position Screw...
200335c	15253	" " " Set Screw
240821	15251	" " Rock Frame
240822	15256	" " " Hinge Stud (eccentric)
200347c	15256	Needle Bar Rock Frame Hinge Stud Set Screw
240823	15256	Needle Bar Rock Frame Hinge Stud Sleeve (split)
202666	15256	Needle Bar Rock Frame Position Bracket
200098c	15256	Needle Bar Rock Frame Position Bracket Screw
240824	15252	Needle Bar Rock Frame Rock Shaft
240870	-----	" " " " " "
		240824 with 200387c and 210920..
240825	15251	Needle Bar Rock Frame Rock Shaft Crank with 200036c
240826	15255	Needle Bar Rock Frame Rock Shaft Crank Connection
201306c	15256	Needle Bar Rock Frame Rock Shaft Crank Connection Hinge Screw (2)
201522c	15256	Needle Bar Rock Frame Rock Shaft Crank Connection Hinge Screw Nut (2)
200036c	15256	Needle Bar Rock Frame Rock Shaft Crank Pinch Screw
202668	15256	Needle Bar Rock Frame Slide Block
210920	-----	" " " " " "
		202668 with 201141c
201141c	15256	Needle Bar Rock Frame Slide Block Stud
200387c	15256	Needle Bar Rock Frame Slide Block Stud Set Screw
200141c	15256	Needle Set Screw
240827	15255	" Vibrating Cam and Gear
240828	15255	" " " " "
		Driving Gear with two 200363c..
200363c	15256	Needle Vibrating Cam and Gear Driving Gear Set Screw
240832	15255	Needle Vibrating Cam and Gear Shaft
213141	15256	Needle Vibrating Cam and Gear Shaft Collar with two 200393c ..
200393c	15256	Needle Vibrating Cam and Gear Shaft Collar Set Screw
200327c	15256	Needle Vibrating Cam and Gear Shaft Set Screw

No.	Plate	Name
240829	15255	Needle Vibrating Fork Lever with 200404c
240830	15255	Needle Vibrating Fork Lever Con- nection Lever
240831	15256	Needle Vibrating Fork Lever Con- nection Lever Hinge Stud
202574	15256	Needle Vibrating Fork Lever Con- nection Lever Hinge Stud Collar with 200380c
200380c	15256	Needle Vibrating Fork Lever Con- nection Lever Hinge Stud Collar Set Screw
200374c	15256	Needle Vibrating Fork Lever Con- nection Lever Hinge Stud Set Screw
200973c	15256	Needle Vibrating Fork Lever Hinge Screw
201522c	15256	Needle Vibrating Fork Lever Hinge Screw Nut
240833	15255	Needle Vibration Regulating Bell Crank with 200378c and 201220c
240834	15255	Needle Vibration Regulating Bell Crank Link
240835	15256	Needle Vibration Regulating Bell Crank Link Hinge Pin
200404c	15256	Needle Vibration Regulating Bell Crank Link Hinge Pin Set Screw
350270c	15256	Needle Vibration Regulating Bell Crank Link Hinge Screw
201522c	15256	Needle Vibration Regulating Bell Crank Link Hinge Screw Nut ..
201220c	15256	Needle Vibration Regulating Bell Crank Position Screw
200378c	15256	Needle Vibration Regulating Bell Crank Set Screw
240836	15255	Needle Vibration Regulating Brack- et with 201233c
240837	15255	Needle Vibration Regulating Brack- et Collar with two 200387c
200387c	15256	Needle Vibration Regulating Brack- et Collar Set Screw
201170c	15256	Needle Vibration Regulating Brack- et Locking Thumb Screw
240838	15256	Needle Vibration Regulating Brack- et Locking Thumb Screw Pack- ing (brass)
240846	15258	Needle Vibration Regulating Brack- et Position Lever with 200337c, 200440c, 201534c and two 200363c

No.	Plate	Name
200696e	15256	Needle Vibration Regulating Bracket Position Lever Locking Screw Stud
240841	15257	Needle Vibration Regulating Bracket Position Lever Locking Screw Stud Bushing
200363c	15256	Needle Vibration Regulating Bracket Position Lever Locking Screw Stud Bushing Set Screw
224348	15257	Needle Vibration Regulating Bracket Position Lever Locking Screw Stud Cap
205526	15257	Needle Vibration Regulating Bracket Position Lever Locking Screw Stud Spring
200440c	15257	Needle Vibration Regulating Bracket Position Lever Position Screw
200363c	15256	Needle Vibration Regulating Bracket Position Lever Set Screw
240842	15252	Needle Vibration Regulating Lever with 201007c and 201170c
240843	15255	Needle Vibration Regulating Lever Connection
200242n	15257	Needle Vibration Regulating Lever Connection Hinge Screw (lower)
200670c	15257	Needle Vibration Regulating Lever Connection Hinge Screw (upper)
201170c	15256	Needle Vibration Regulating Lever Operating Rod Thumb Screw
201007c	15257	Needle Vibration Regulating Lever Set Screw
240845	15258	Needle Vibration Regulating Lever Shaft
240839	15255	Needle Vibration Stop Lever
240840	-----	" " " " 240839 with 200374c, 200440c, 201170c, two each 200337c and 201534c
200440c	15257	Needle Vibration Stop Lever Position Screw
200374c	15256	Needle Vibration Stop Lever Set Screw
240847	15258	Needle Vibration Stop Lever Shaft
201233c	15257	" " " " Stop Screw (lower)
200337c	15257	Needle Vibration Stop Lever Stop Screw (upper)
201534c	15257	Needle Vibration Stop Lever Stop Screw (upper) Nut
350272e	15257	Needle Vibration Stop Lever Stop Screw Stud (2)

No.	Plate	Name
201718d	15257	Needle Vibration Stop Lever Stop Screw Stud Thumb Nut (2)
201170e	15256	Needle Vibration Stop Lever Thumb Set Screw
240848	15258	Presser Bar (hollow)
207072	15257	" " Bushing
200352c	15257	" " " Set Screw
202554	15257	" " Lifter
200653c	15257	" " " Hinge Screw
240849	15257	" " Lifting Bracket with two 200387c
200387c	15256	Presser Bar Lifting Bracket Set Screw
240850	15258	Presser Bar Position Guide
202338	15257	" " " " Lever with 200086f
200086f	15256	Presser Bar Position Guide Lever Pinch Screw
200352c	15257	Presser Bar Position Guide Set Screw
208159	15257	Presser Bar Spring
200494b	15257	" " Thumb Screw (pressure regulating)
200475b	15257	Presser Bar Thumb Screw Thumb Set Screw
202355	15257	Presser Bar Thumb Screw Thumb Set Screw Packing (brass)
240855	15258	Presser Foot Clamping Rod
201644b	15257	" " " " Thumb Nut
237762	15259	Take-up Lever
202399	15259	" " Driving Stud with 202277
202277	-----	Take up Lever Driving Stud Oil Packing (wick)
202400	15259	Take up Lever Hinge Stud with 202423
202423	-----	Take up Lever Hinge Stud Oil Packing (wick)
200383c	15256	Take up Lever Hinge Stud Set Screw
202401	-----	Take up Lever Oiling Felt
200132e	15259	" " " " Screw
244007	15259	Tension Disc (back)
244008	15259	" " (front)
202405	15259	" Release Washer
202407	10881	" Spring
200625f	15259	" Stud with 204925
200061c	15259	" " Set Screw
204925	15259	" " Washer

No.	Plate	Name
201572B	10881	Tension Thumb Nut
202409	- - -	Tension complete, Nos. 200625F, 201572B, 202405, 202407, 202410, 244007 and 244008
202410	15259	Thread Controller Spring
202411	15259	" " " Stop
200132E	15259	" " " " Screw
224028	15259	" Guide
224387	15259	" "
236007	15259	" " (upper)
200175H	15259	" " Screw
200582H	15259	" " (2)
240034	15259	" Retainer
200366H	15259	" " Set Screw
240856	15258	Throat Plate
233201	15260	" " Needle Plate
240857	15260	" " " " Locking Slide
200177E	15260	Throat Plate Needle Plate Locking Slide Screw (2)
200577H	15260	Throat Plate Screw (2)
240860	15258	Vertical Shaft
241111	15254	" " Bevel Gear (lower) with two 1253c
241114	15260	Vertical Shaft Bevel Gear (upper) with two 1253c
1253c	15254	Vertical Shaft Bevel Gear Set Screw
241182	15261	Vertical Shaft Bushing (lower), $\frac{5}{8}$ in. diam., with 202423
202423	- - -	Vertical Shaft Bushing (lower) Oil Packing (wick)
240863	15261	Vertical Shaft Bushing (upper) with 202423
202423	- - -	Vertical Shaft Bushing (upper) Oil Packing (wick)
200327c	15256	Vertical Shaft Bushing Set Screw (2)
240861	15260	Vertical Shaft Driving Gear with two 200363c
200363c	15256	Vertical Shaft Driving Gear Set Screw

ACCESSORIES

No.	Plate	Name
210530	15253	Bobbin (5)
*225482	- - -	" Case Screw Driver Blade
*225483	- - -	" " " " Handle
225497	12345	Bobbin Case Screw Driver com- plete, Nos. 225482 and 225483 ..
234468	15260	Eyelet Piercer with 200473B
234469	15260	" " Holder
200473B	15253	" " Thumb Screw
234470	- - -	Eyelet Piercer (adjustable), for eyelets from $\frac{3}{16}$ to $\frac{1}{4}$ in. diam., complete, Nos. 234468 and 234469
234462	- - -	Eyelet Punch, .067 in. diameter ..
234463	- - -	" " .055 in. diameter ..
234464	- - -	" " $\frac{3}{16}$ in. diameter
234465	- - -	" " $\frac{5}{16}$ in. diameter
234466	- - -	" " $\frac{3}{8}$ in. diameter
234467	15260	" " $\frac{1}{2}$ in. diameter
240851	15260	Presser Foot, for Eyelets $\frac{3}{16}$ in. diameter
240852	- - -	Presser Foot, for Eyelets $\frac{1}{4}$ in. diameter
240853	- - -	Presser Foot, for Eyelets $\frac{5}{16}$ in. diameter
240854	- - -	Presser Foot, for Eyelets $\frac{3}{8}$ in. diameter
240858	15260	Throat Plate Spur, for Eyelets $\frac{3}{16}$ in. diameter
240859	- - -	Throat Plate Spur, for Eyelets $\frac{1}{4}$ in. diameter
234446	- - -	Throat Plate Spur, for Eyelets $\frac{5}{16}$ in. diameter
234513	- - -	Throat Plate Spur, for Eyelets $\frac{3}{8}$ in. diameter
135 x 9	- - -	Needles, two each, sizes 10, 12 and 14
208676	- - -	Embroidery Hoop
41400	12345	Machine Rest Pin (wood)
120342	12345	Oiler (copper plated) with 120343
120343	12345	" Spout, $3\frac{1}{2}$ in. long
*225484	- - -	Screw Driver Blade
*225485	- - -	" " Handle
225498	12345	Screw Driver complete (7 $\frac{1}{2}$ in. long), Nos. 225484 and 225485 ..
234484	- - -	Eyelet Punch Cutting Block (fibre)
234485	- - -	" " Mallet (wood)

No.	Plate	Name
240871	----	Drip Pan with four 1 in. wire nails
12361	15261	Machine Hinge Connection (2) ..
240844	15252	Needle Vibration Regulating Lever Operating Rod
240862	----	Needle Vibration Regulating Lever Operating Rod 240844 with 2767
2767	15252	Needle Vibration Regulating Lever Operating Rod Knee Plate with 356e
356e	15261	Needle Vibration Regulating Lever Operating Rod Knee Plate Set Screw
225554	12345	Wrench (steel)

BOBBIN WINDER

Swing Automatic, Right Hand

225453	10884	Frame with 202277 and 225438
225454	10884	" Hinge Pin
202277	---	" Oil Packing (wick)
225438	10884	" " Well Cap
225455	10884	" Spring
225456	10884	" " Plunger
202473	10885	Pulley with 200380e
200380e	15256	" Set Screw
225381	10884	Spindle
225444	10884	Stop Latch
200056e	10884	" " Screw
225458	10884	" " Thumb Lever
225459	10884	" " " " Hinge Stud
225459	10884	" " " " Joint Stud
202478	10884	" " Trip Lever
200299H	10884	" " " " Hinge Screw
225461	10881	Tension Bracket with 201499e
200082D	10881	" " Screw
228026	10884	" " " Washer
2102	10881	" Disc
202407	10881	" Spring
201499B	10881	" Stud
201572B	10881	" " Thumb Nut
225462	10881	Bobbin Winder Tension Bracket complete, Nos. 201572B, 202407, 225461 and two 2102
225433	10885	Bobbin Winder and Tension Brack- et Base

No.	Plate	Name
225382	10885	Universal Bobbin Winder complete, Nos. 200056e, 200082D, 200299H, 202473, 202478, 225381, 225433, 225444, 225453 to 225456, 225458, 225462, 228026, two each 225459 and wood screws $\frac{3}{4}$ in., No. 12, R.H.B.

THREAD UNWINDER

225395	14263	Spool Rest (for two spools) with 201018e
225388	14263	Spool Rest Rod
200383e	15256	" " " Set Screw
201018e	15261	" " Set Screw
202490	14263	" Stand with 200383e
225391	14263	Thread Guide
201696A	15261	" " Lock Nut
225324	14263	" " Rod with 208e and 225322
208e	15261	Thread Guide Rod Screw
225322	---	" " " Washer
225326	15261	" " Position Cup
225396	14263	Thread Unwinder (for two spools) complete, Nos. 201696A, 202490, 225324, 225326, 225388, 225395, two 225391 and three wood screws $\frac{3}{4}$ in., No. 12

MISCELLANEOUS PARTS

Used in conjunction with Thread Unwinder

60913	14263	Spool Weight with 60914
60914	----	" " Center Pin
225377	14263	" Wire, for small spools

CORD GUIDE

No.	Plate	Name
233216	15261	Cord Guide Tube
1422B	15261	" " " Set Screw
240865	15261	" " " Holder with 2273 and two 1422B
1422B	15261	Cord Guide Tube Holder Adjusting Screw
2273	15261	Cord Guide Tube Holder Hinge Pin
240866	15261	" " " " Spring ...
240867	15261	" " Lever with 837B and 1674B
837B	15261	Cord Guide Lever Adjusting Screw
1674B	15261	" " " " " "
		Lock Nut
240868	15261	Cord Guide Lever Bracket with 201320D
201320D	15261	Cord Guide Lever Bracket Clamp Screw
19044	15261	Cord Guide Lever Friction Washer
350129E	15261	" " " Hinge Screw ...
201531E	15261	" " " " " Nut
240869		Cord Guide complete, Nos. 19044, 201531E, 233216, 240865 to 240868 and 350129E

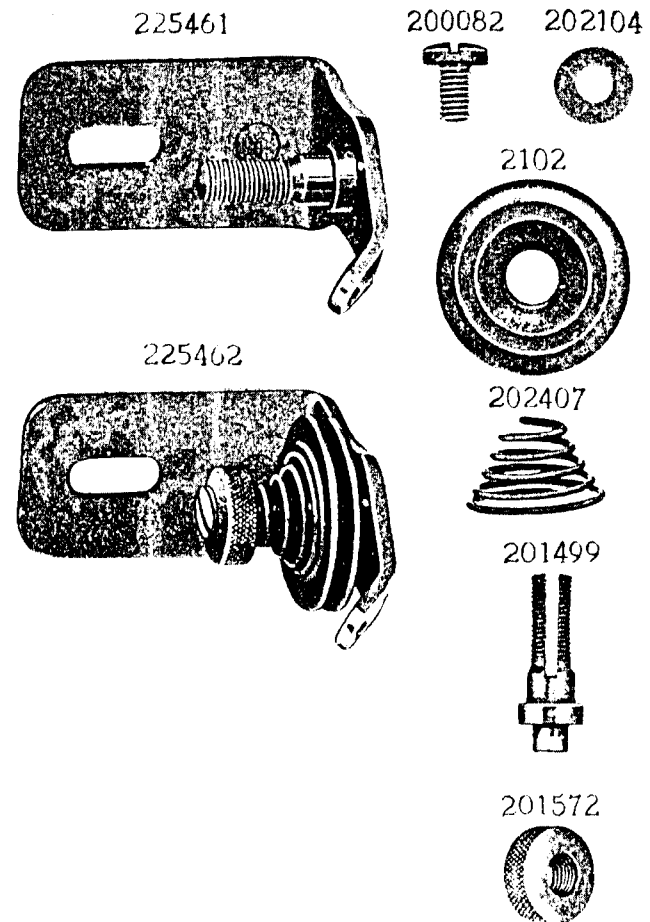
PLATE 10881—FULL SIZE

PLATE 10884—FULL SIZE

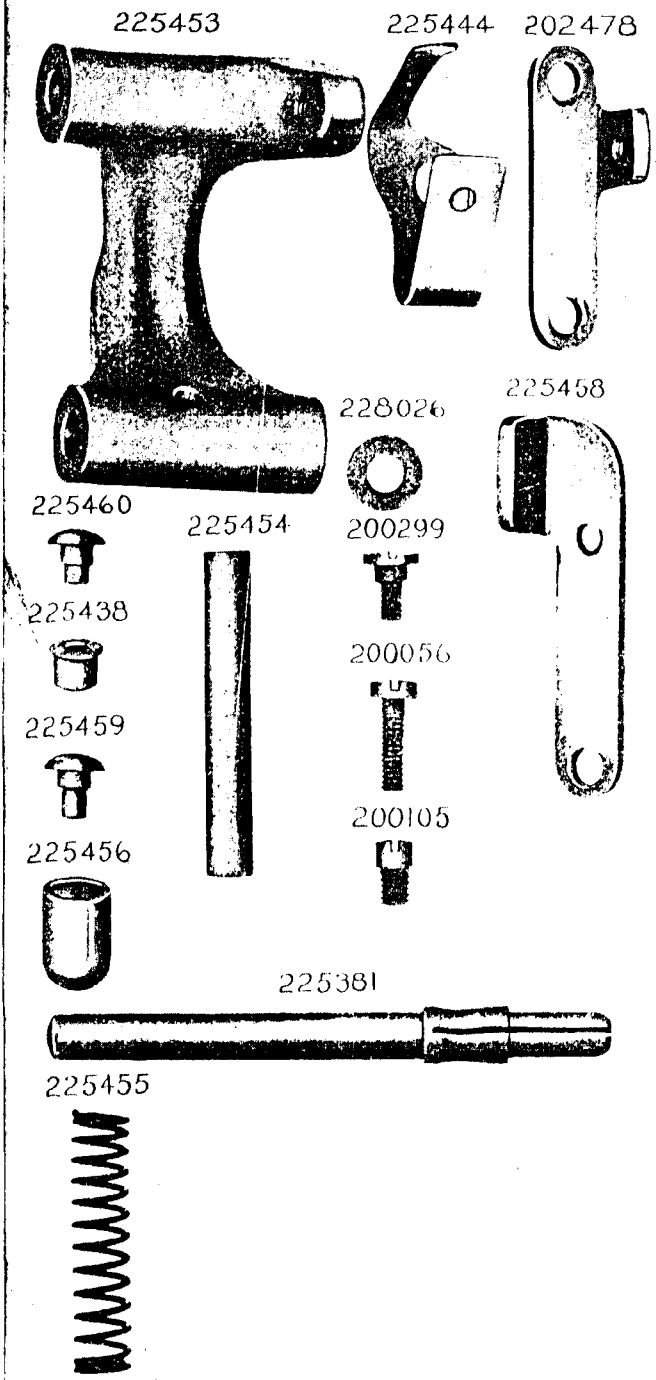


PLATE 10885—ONE-FOURTH SIZE

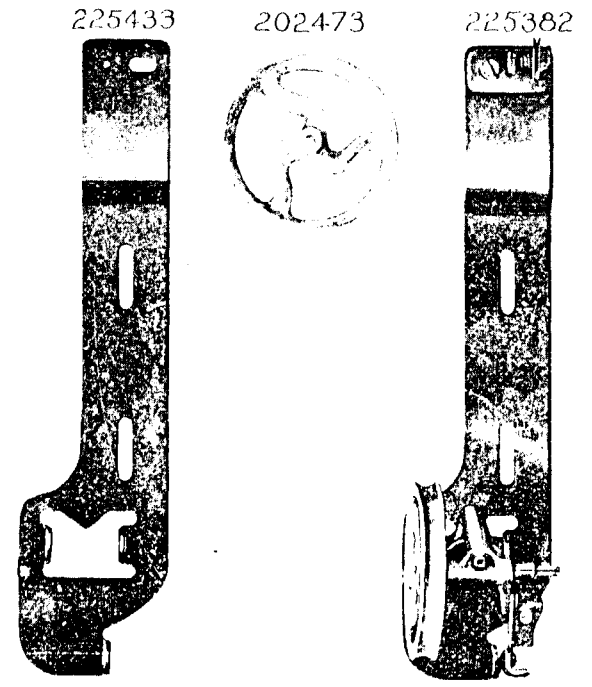


PLATE 12345—ONE-HALF SIZE

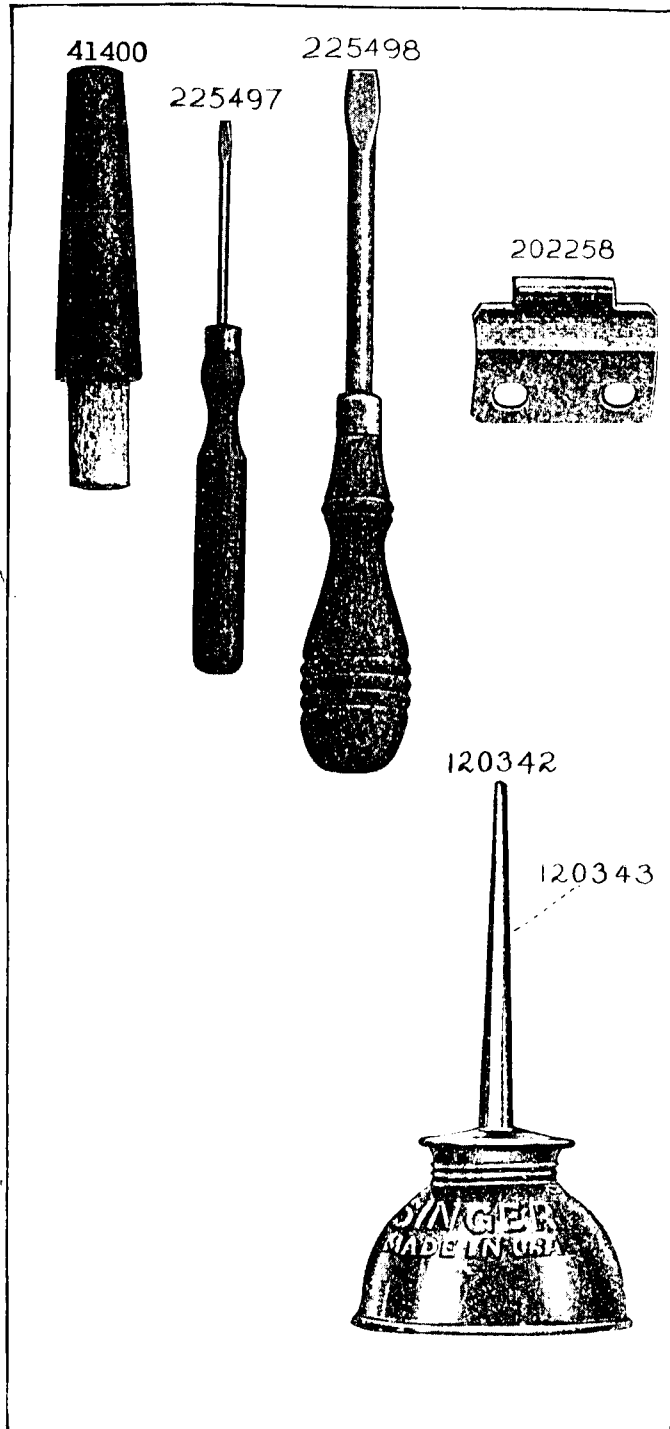


PLATE 14263—ONE-SIXTH SIZE

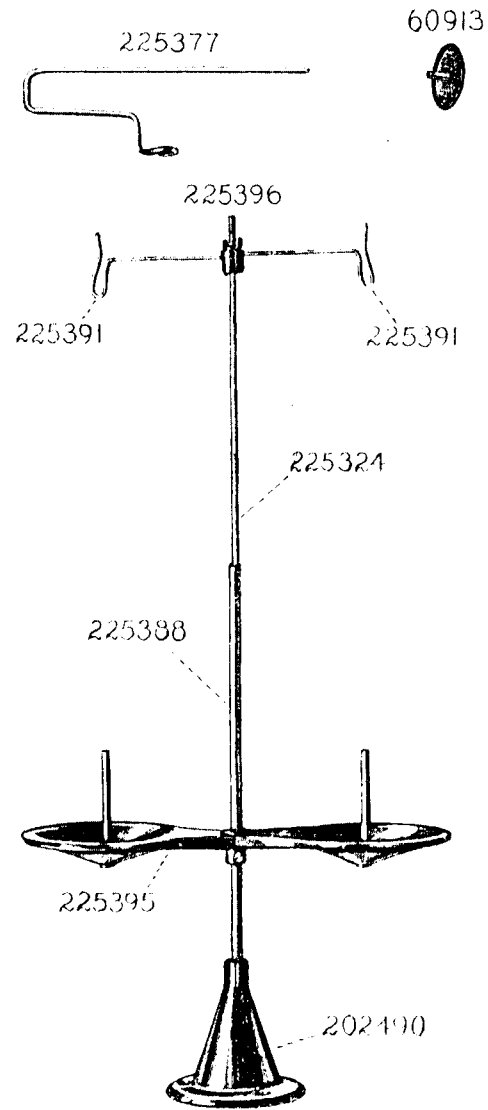
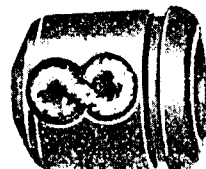


PLATE 15251—ONE-HALF SIZE

207080



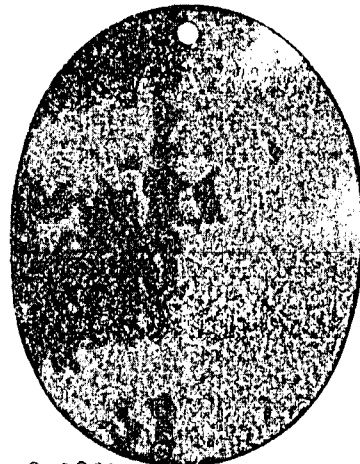
240802



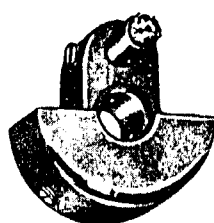
224002



240803



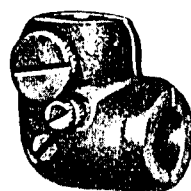
210725



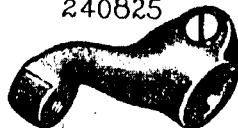
240821



241179



240825



240805

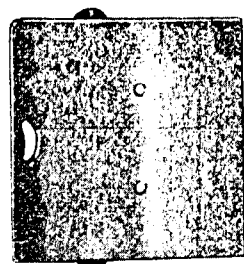
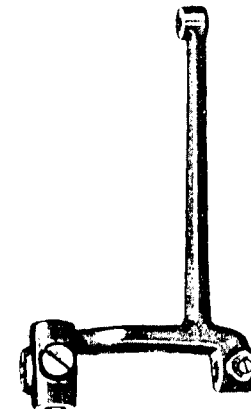


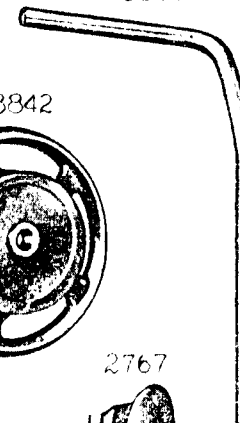
PLATE 15252—ONE-FOURTH SIZE

237702 240820 240824

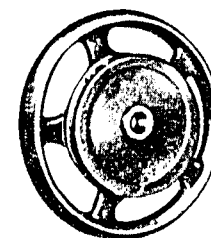
240842



240844



223842



240815



2767



PLATE 15253—FULL SIZE

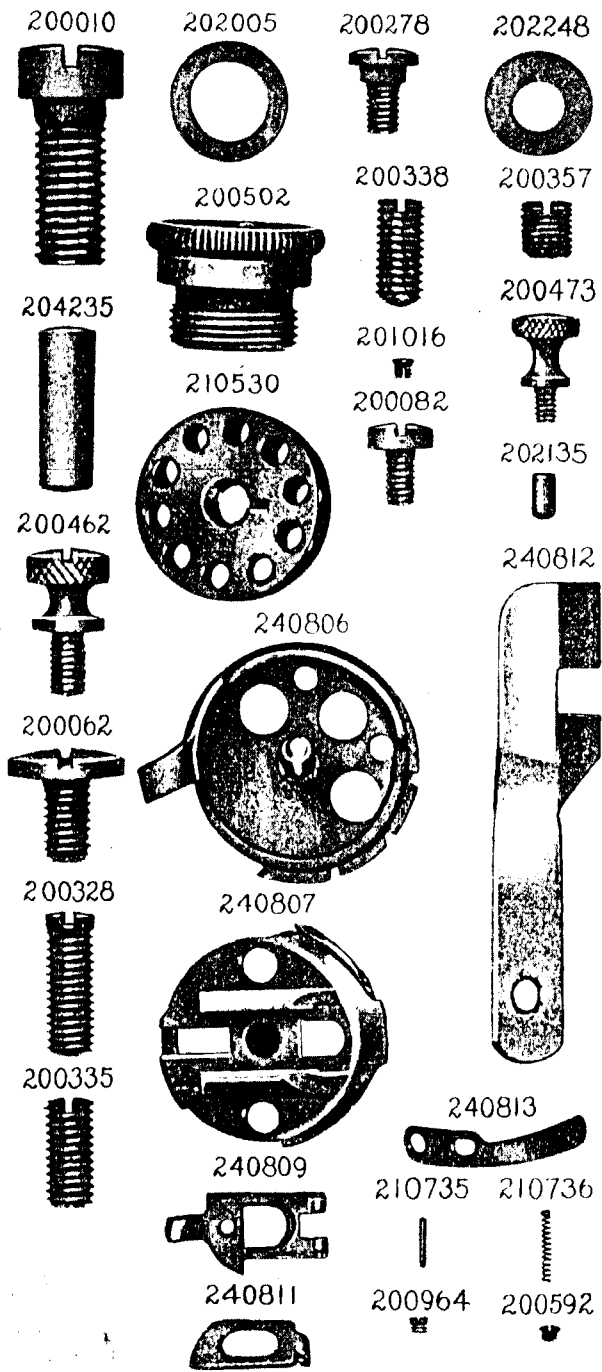


PLATE 15254—FULL SIZE

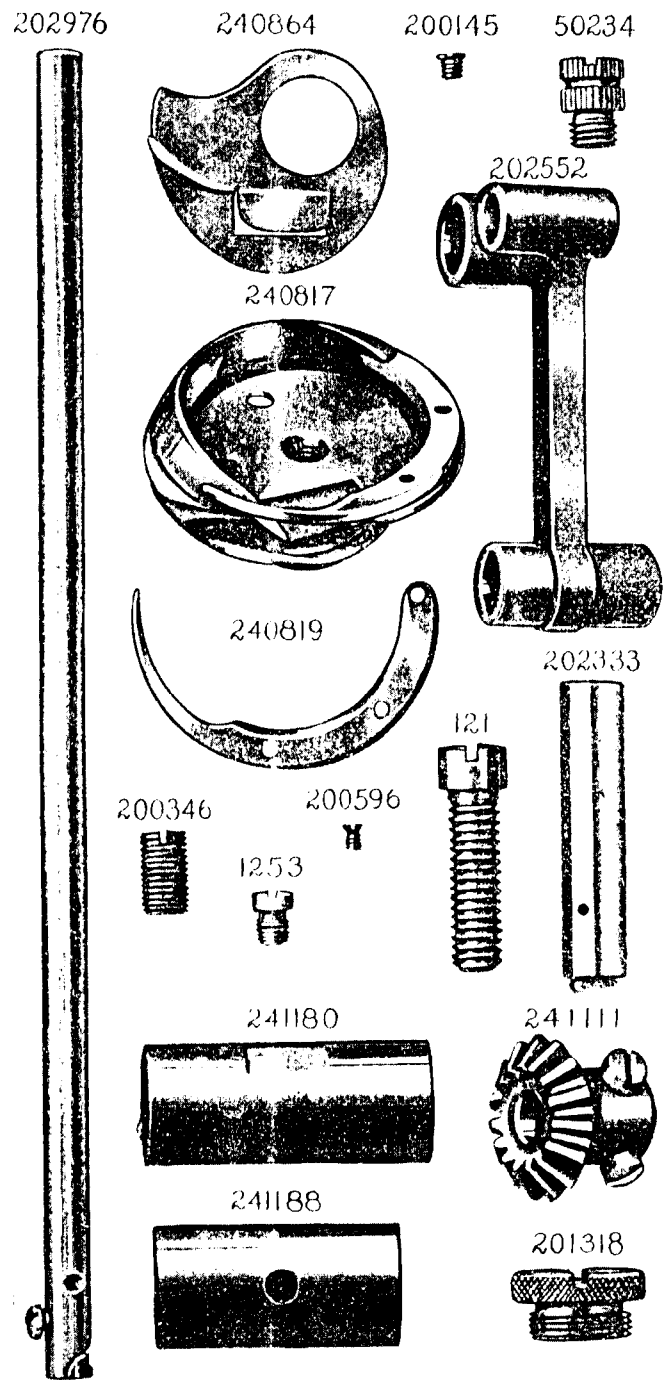


PLATE 15255--ONE-HALF SIZE

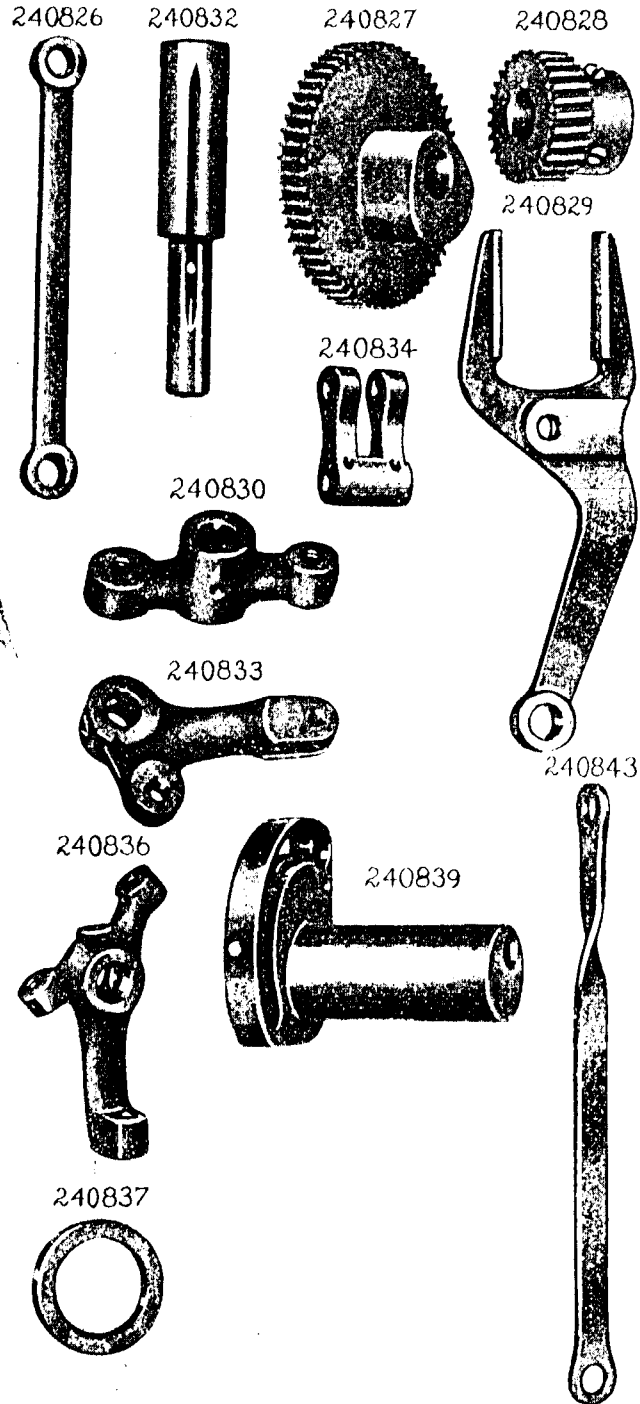


PLATE 15256--FULL SIZE

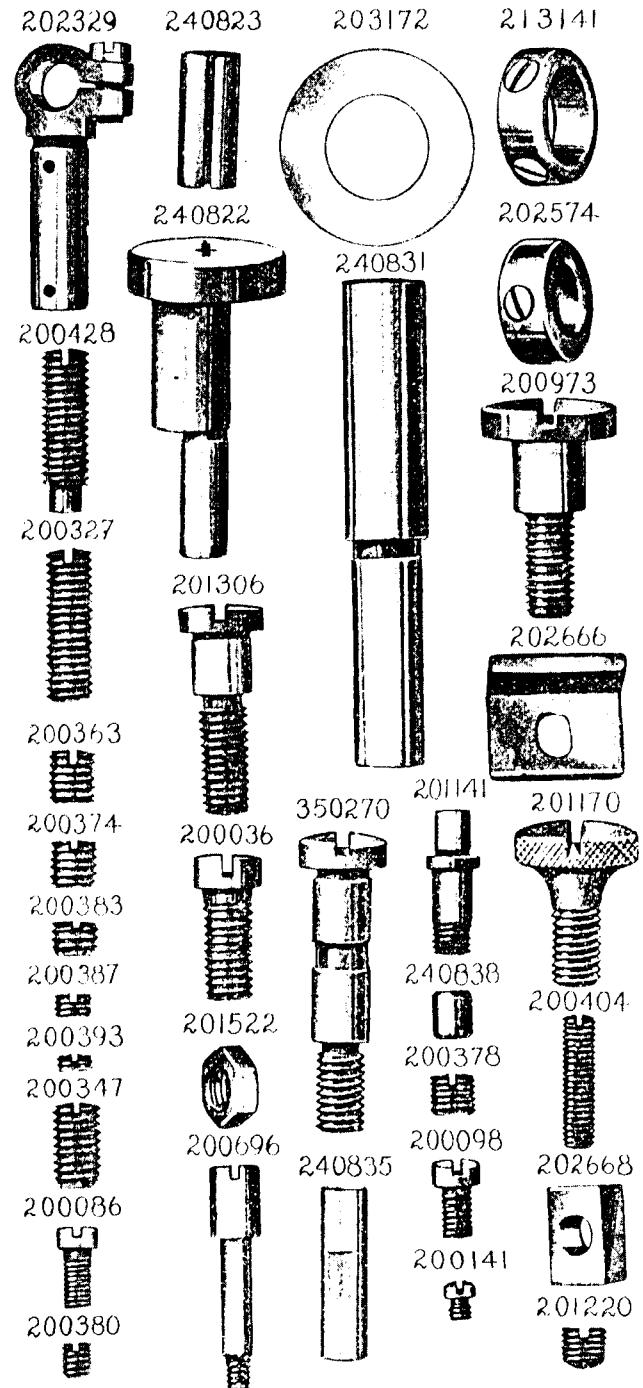


PLATE 15257—FULL SIZE

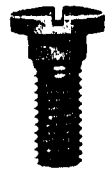
208159



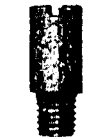
207072



200242



200670



201233



200494



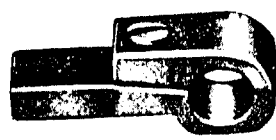
224348



201644



202338



240849



201007



201534



240841



202554



202338

200440



202355



201718



350272



200653



200475



200337



205526



200352



PLATE 15258—ONE-HALF SIZE

240845



240850



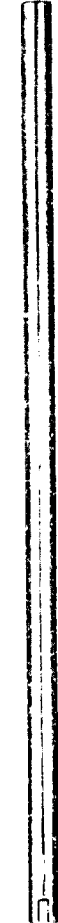
240847



240846



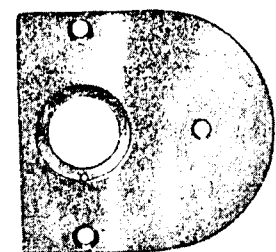
240848



240855



240856



240860



PLATE 15259—FULL SIZE

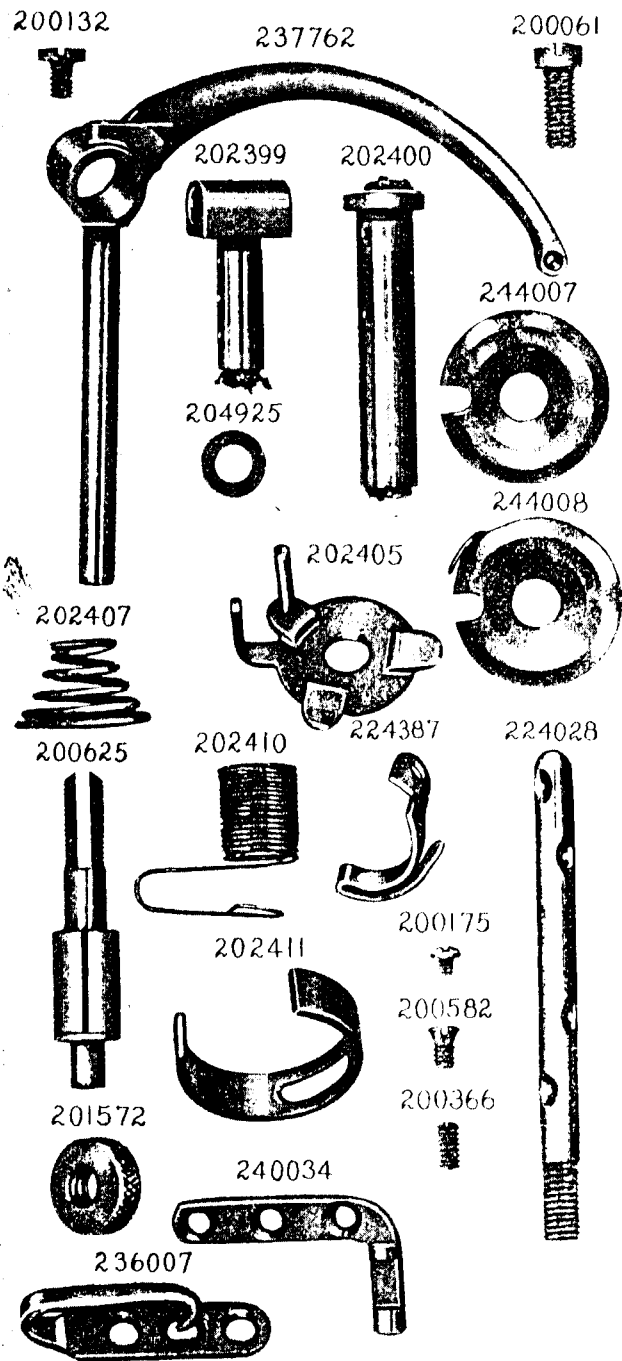


PLATE 15260—FULL SIZE

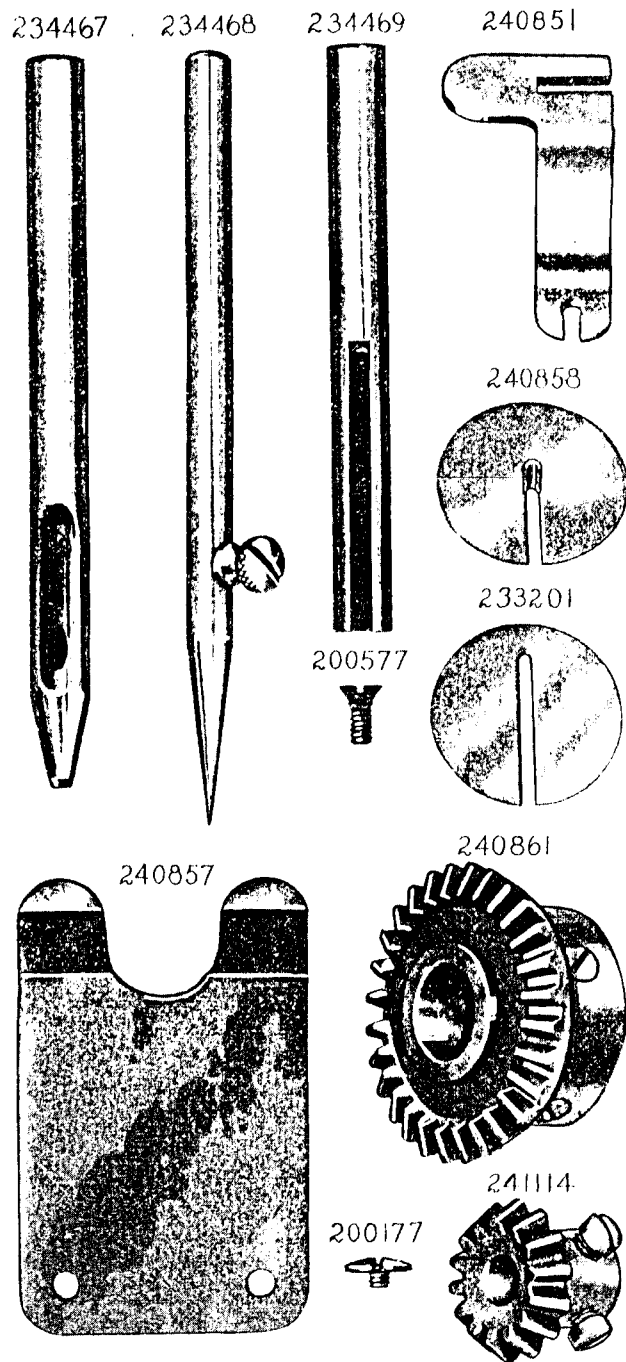


PLATE 15261—FULL SIZE

241182 201018 208 1422 1674



240863



12361



356



837



350129



225326



201320



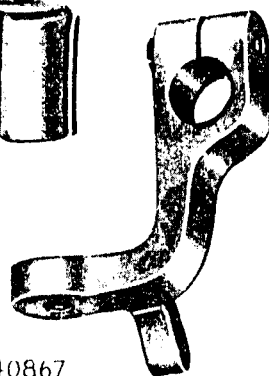
2273



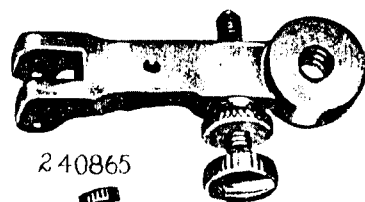
201531



240868



240867



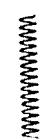
240865



201696



240866



19044



233216

