

**SINGER**  
**153W103**

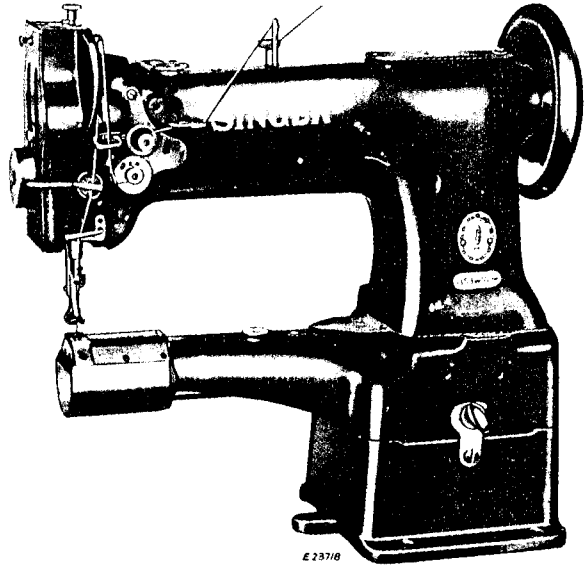
Form 2748w  
(Rev. 1153)  
Printed in U.S.A.

**SINGER\***  
153W103

---

**THE SINGER COMPANY**

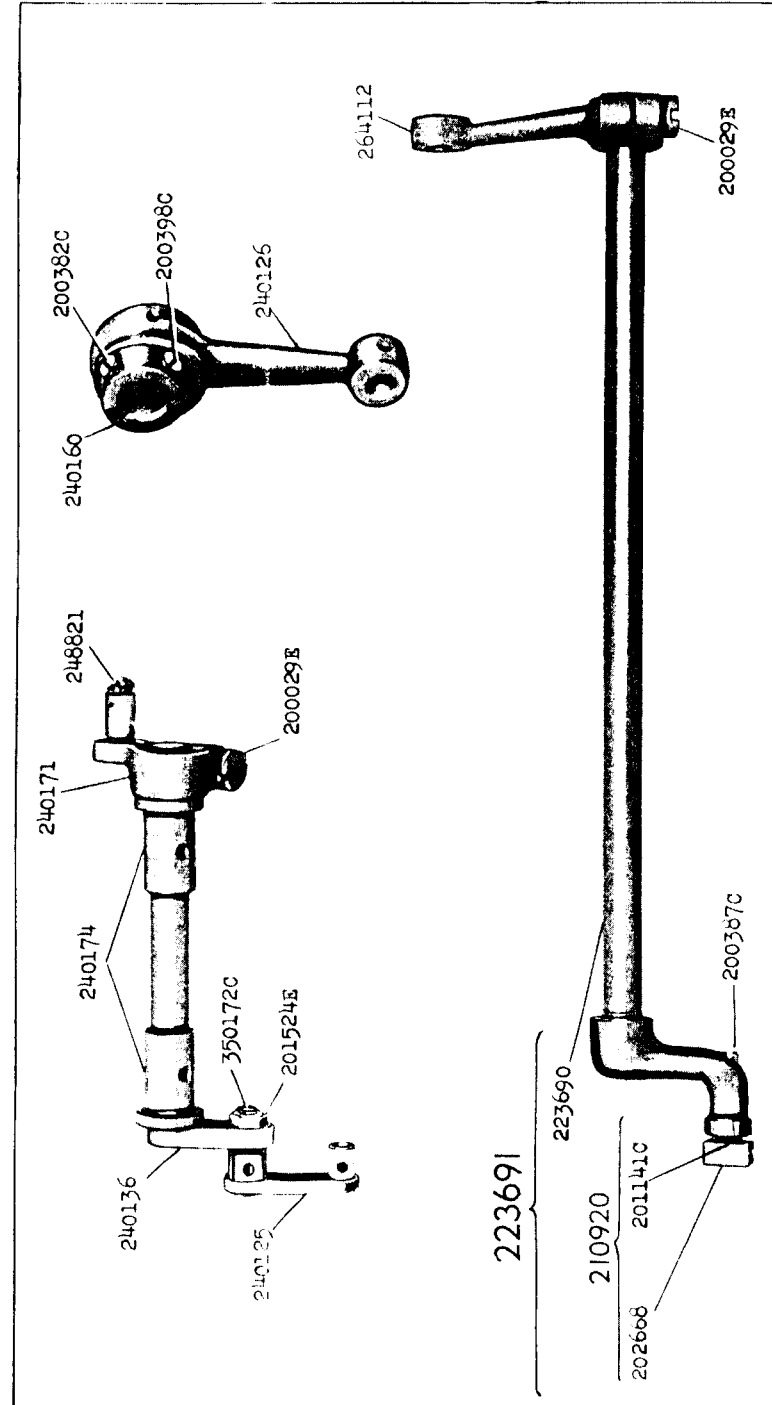
\*A Trade Mark of THE SINGER COMPANY



E 23718

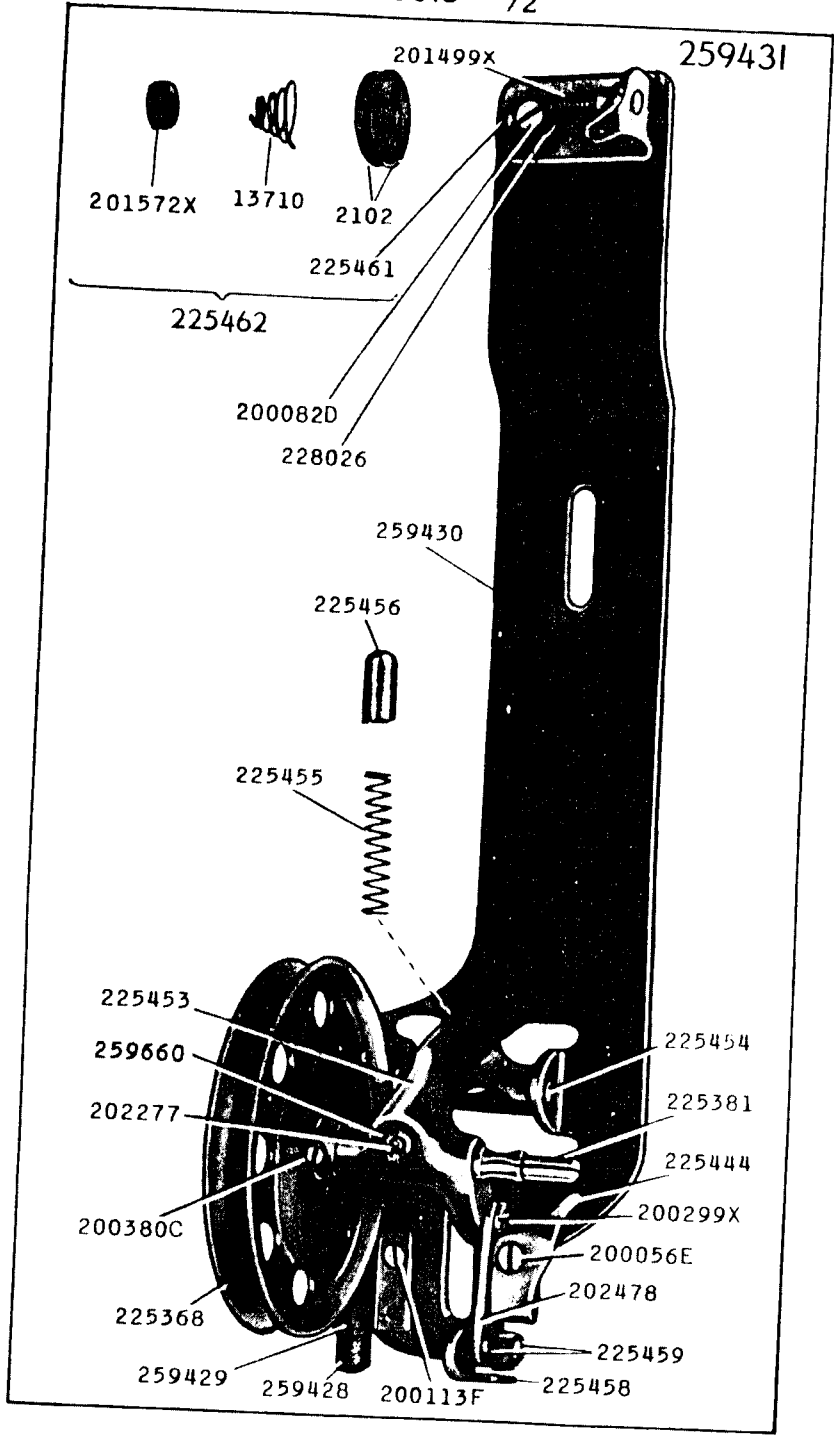
Copyright, U. S. A., 1940, 1941, 1942 and 1954.  
 by The Singer Company  
 All Rights Reserved for All Countries

16058 - 1/2

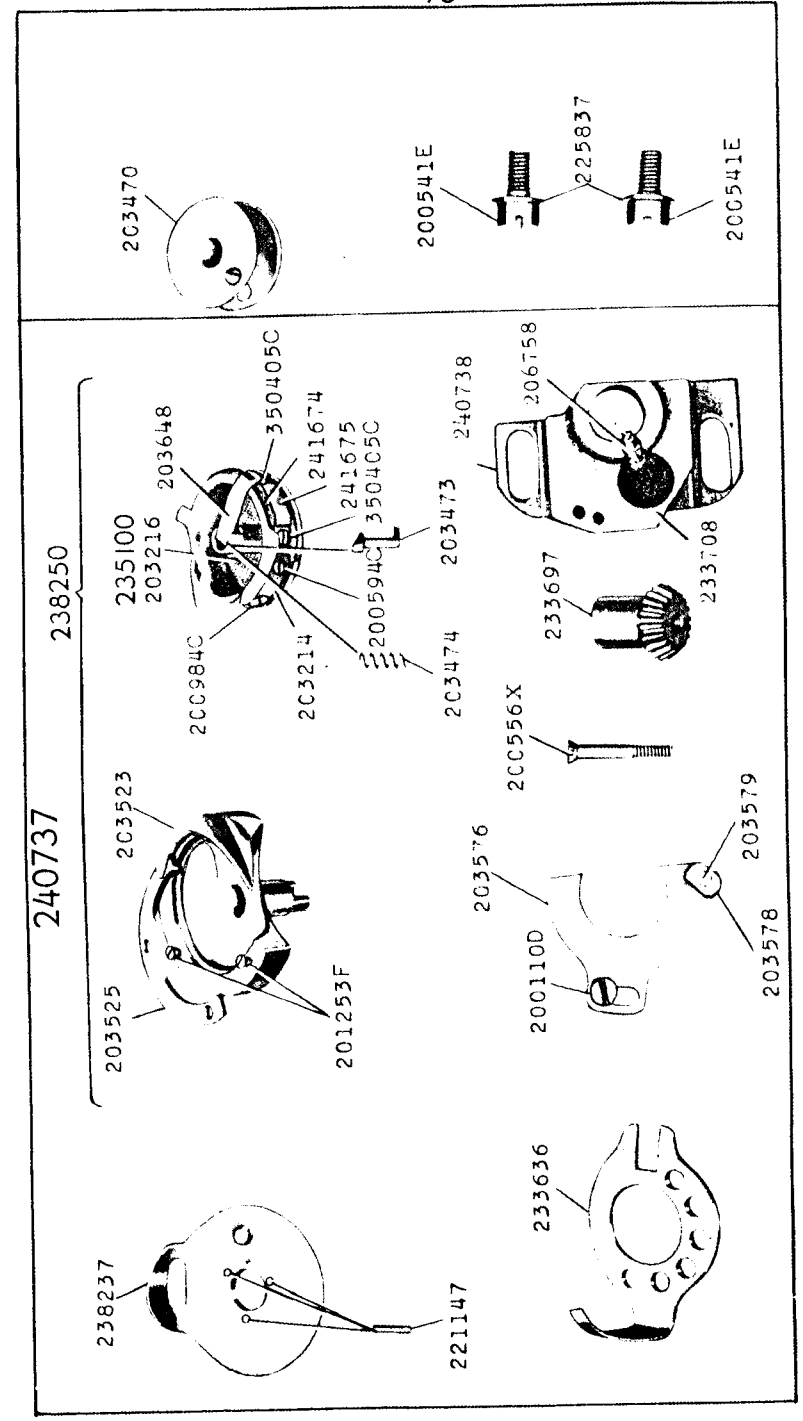


16615 - 1/2

259431

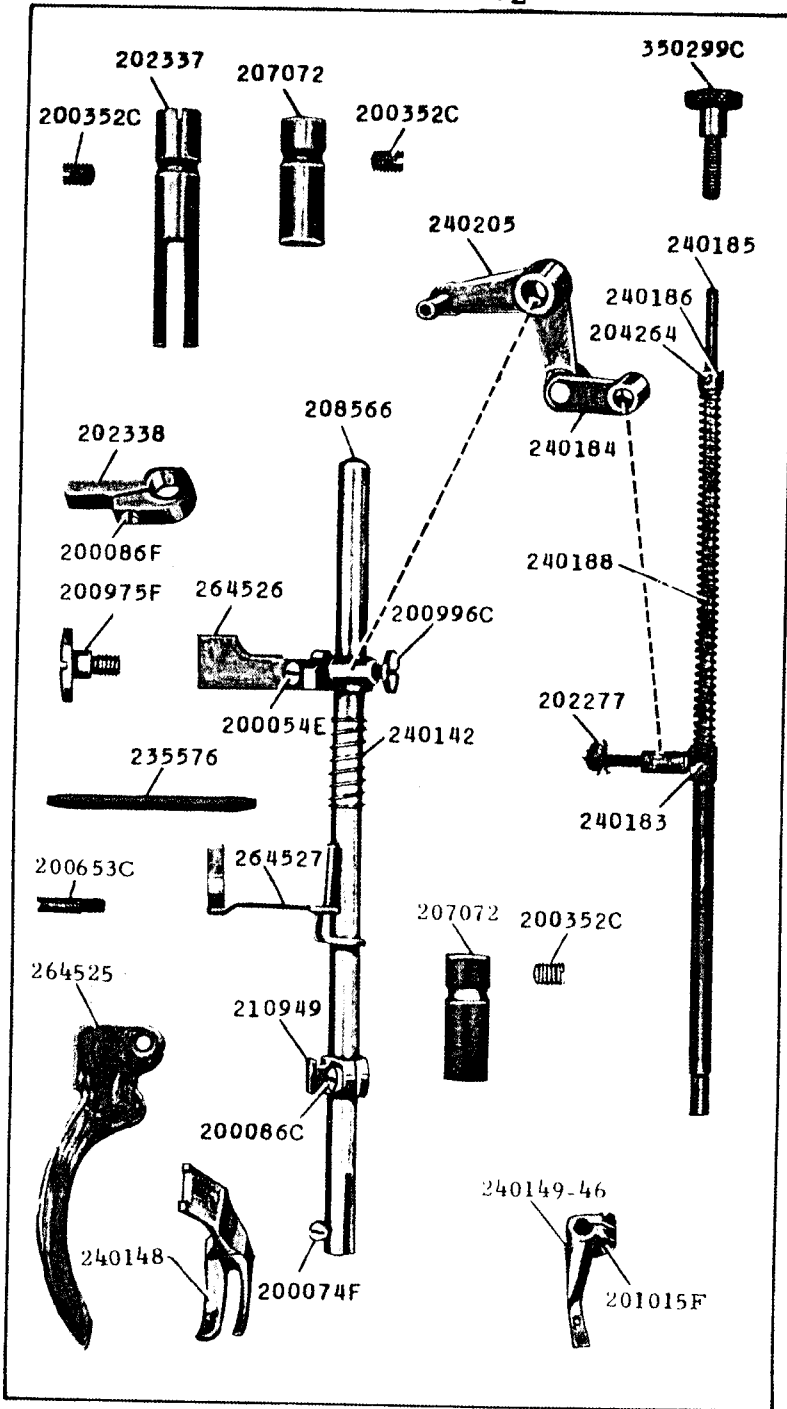


16916 - 2/3

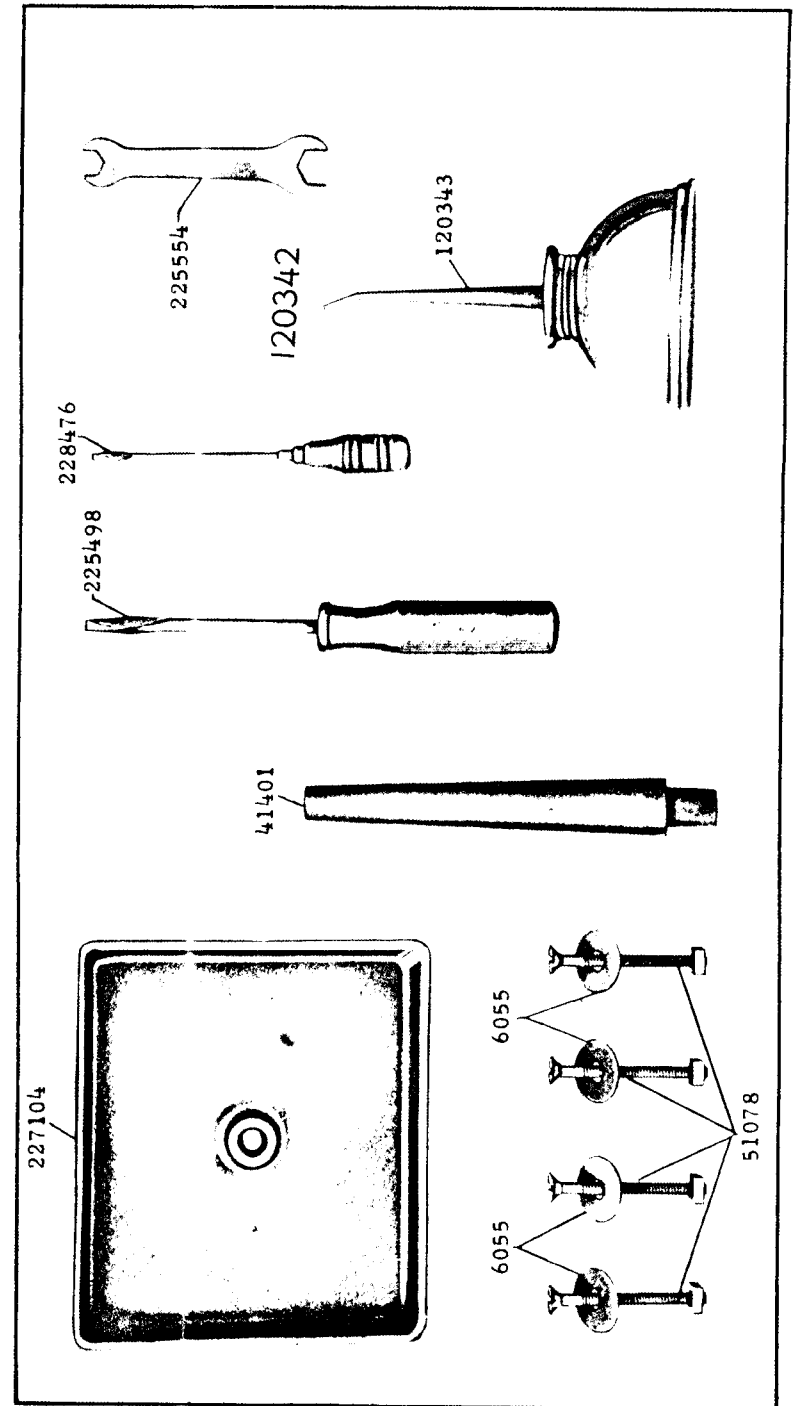




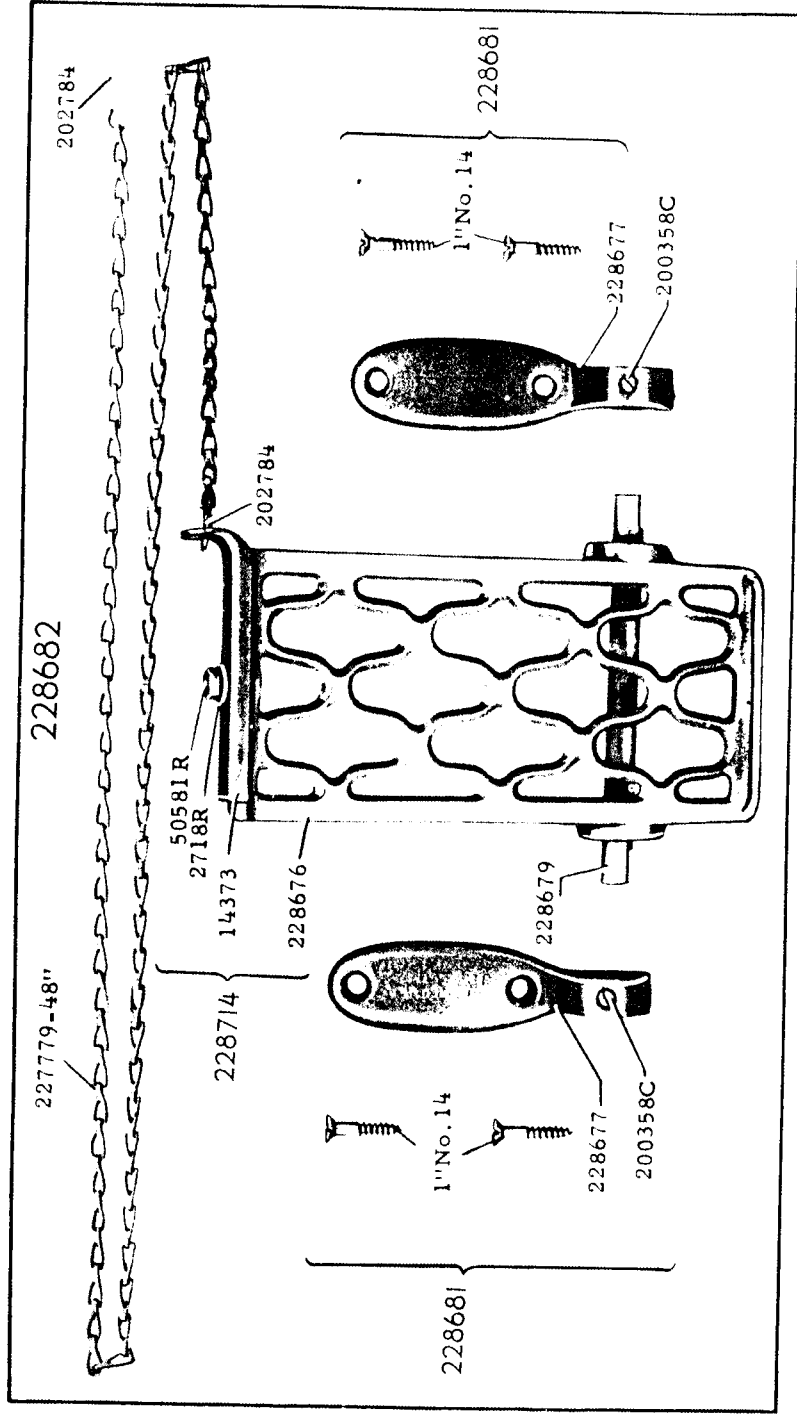
16934 - 1/2



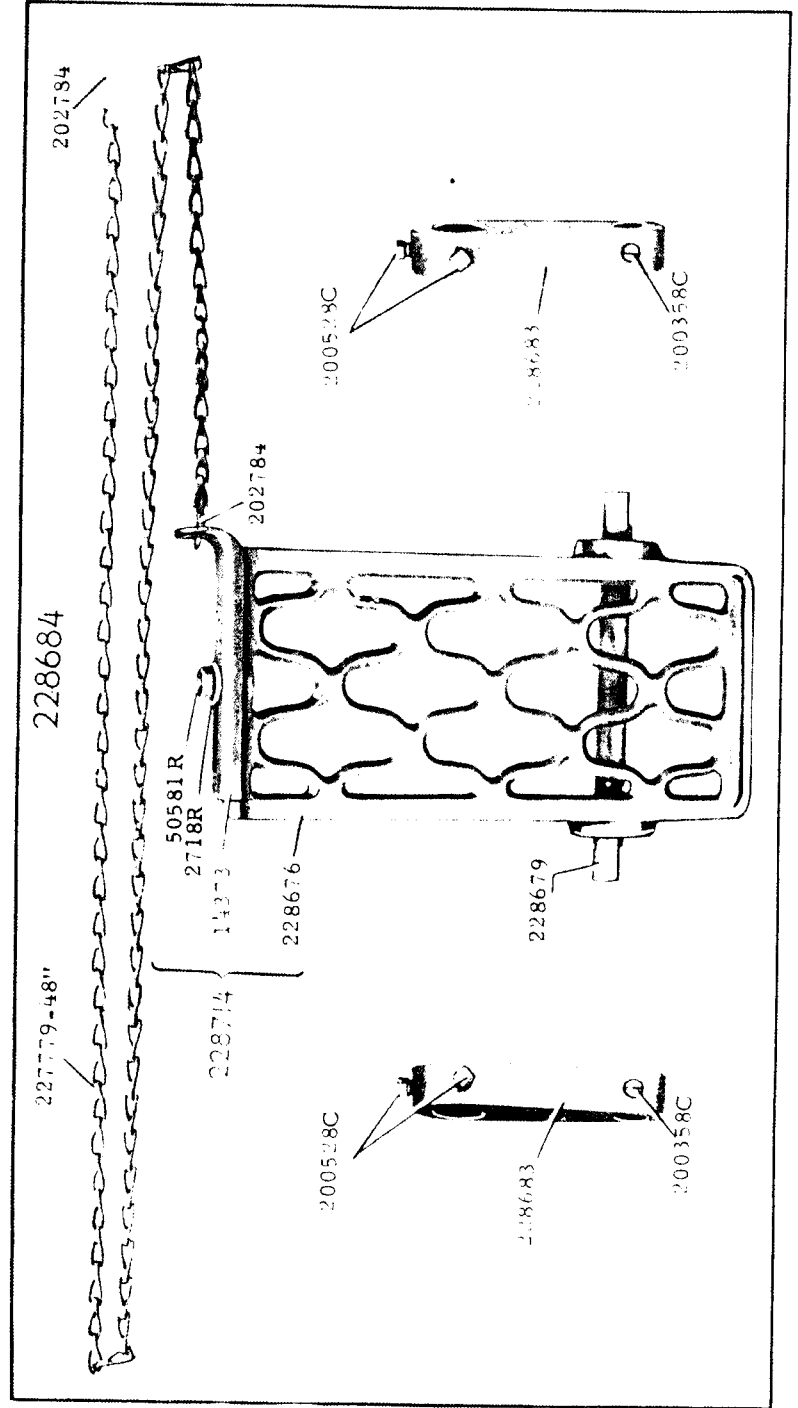
16936 - 1/3



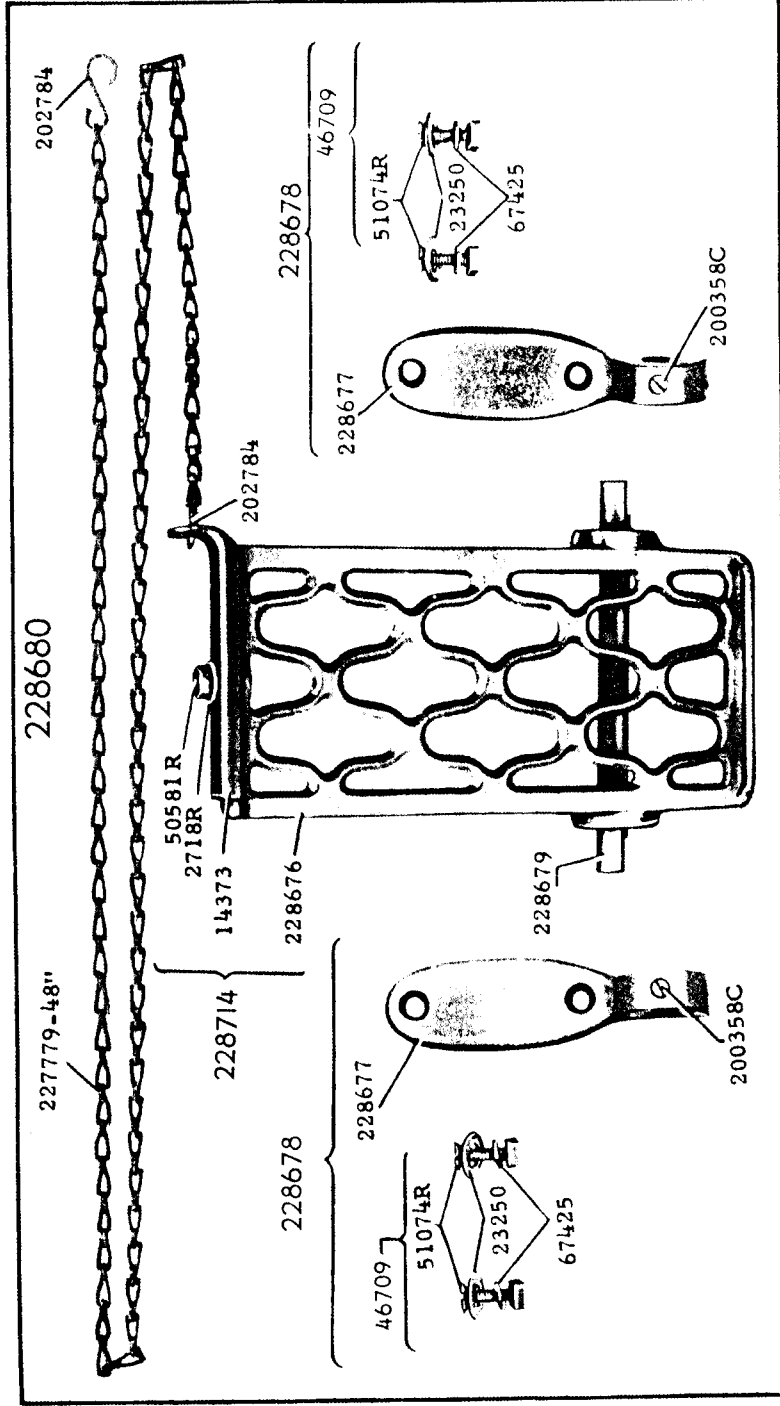
16937 - 1/3



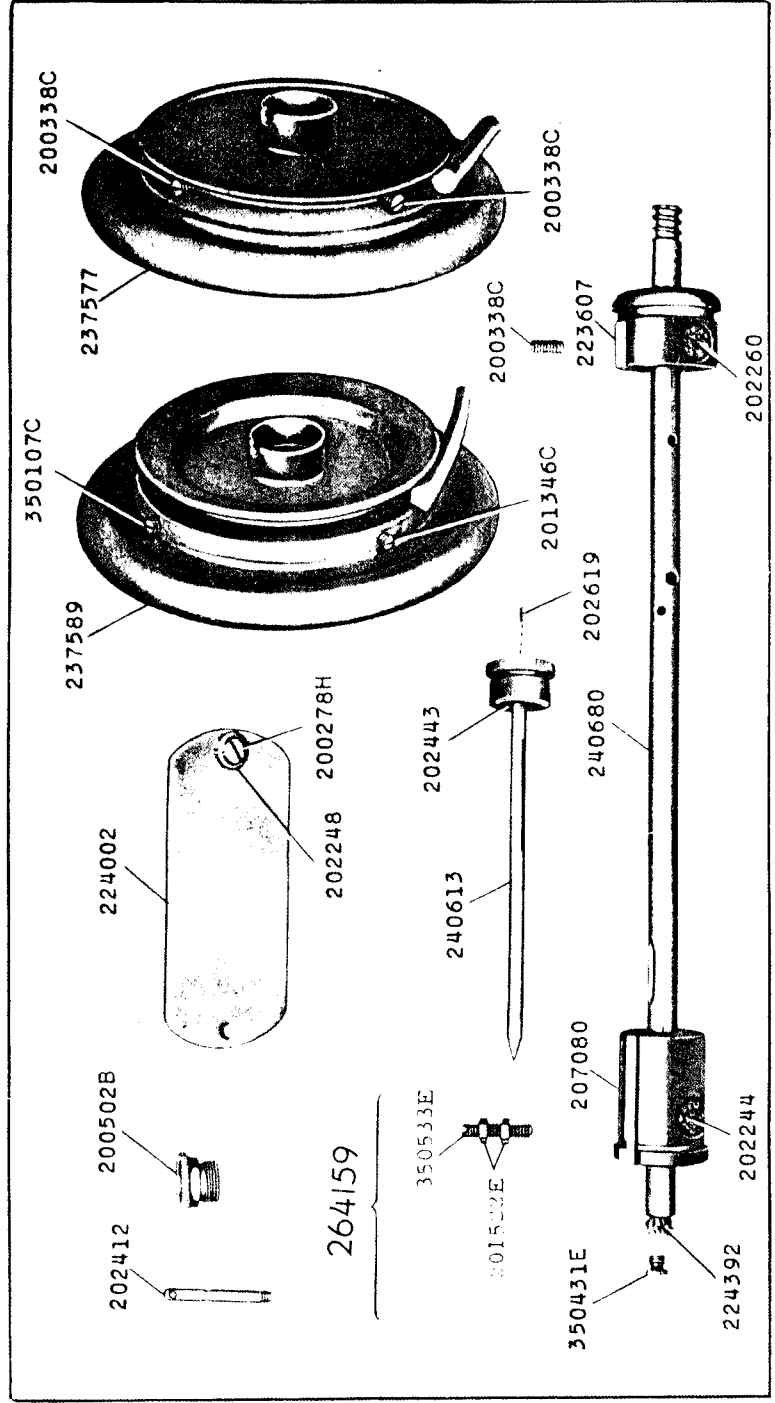
16938 - 1/3



16939 - 1/3

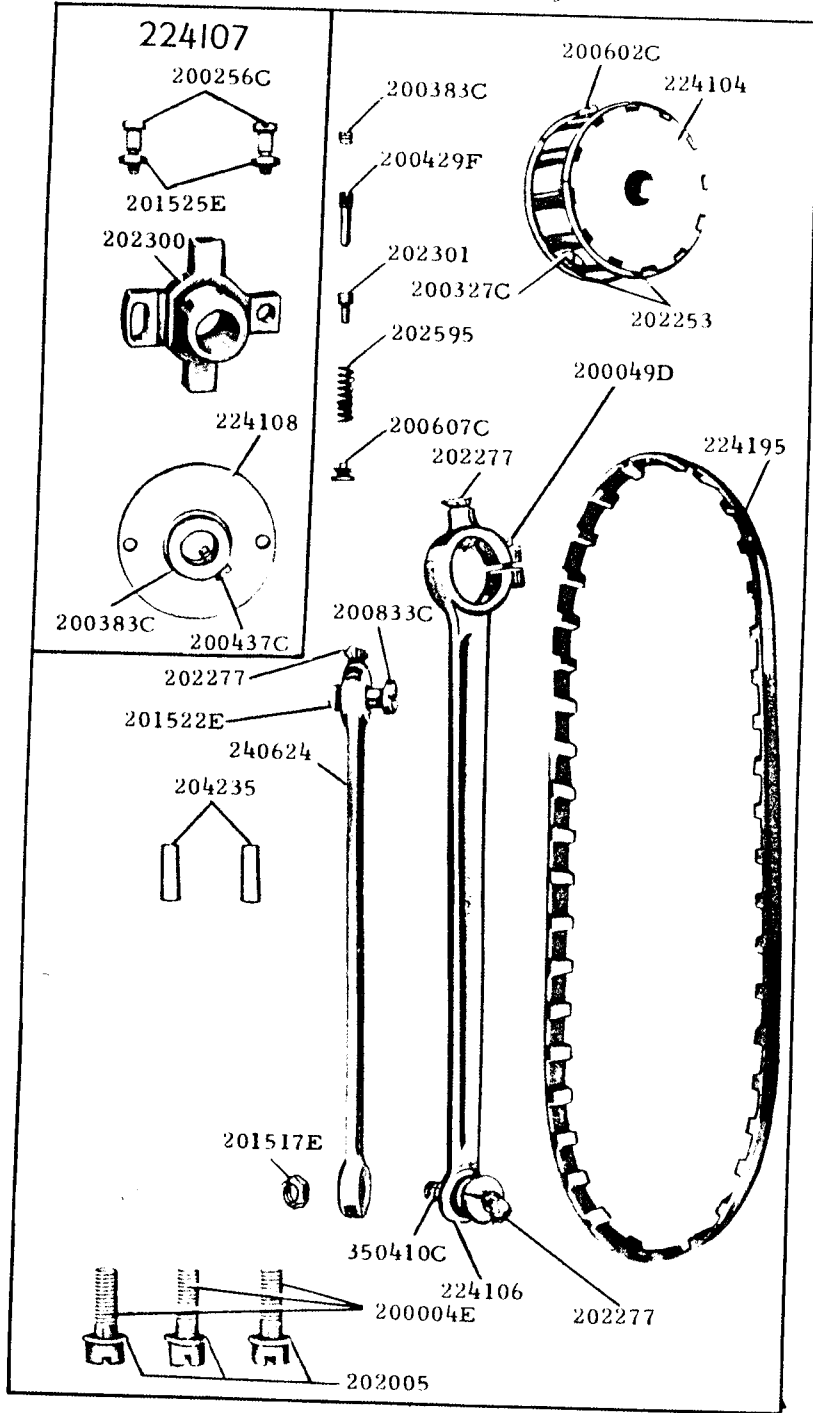


16940 - 1/3





16941 - 3/8



16942 - 3/8

