

Yamato[®]

Instruction Manual

Parts List

PNEUMATIC UNDER THREAD TRIMMING DEVICE
PNEUMATIC TOP COVER THREAD TRIMMING DEVICE

UT-A

UT-A34, UT-A34/ST2-A UT-A44, UT-A44/ST2-A

VES2700-8 class

VES3700-8 class

Thank you for having purchased UT-A device.
Before using your UT-A device, please read the instruction manual and understand the contents well.
After reading the instruction manual, please keep it in a location where it is easily accessible to the operator.

CONTENTS

1. Proper operation	1
1.1 Operating procedure for UT-A34 device	1
1.2 Operating procedure for UT-A34/ST2-A device	2
1.3 Operating procedure for UT-A44 device	3
1.4 Operating procedure for UT-A44/ST2-A device	4
2. Wiring	5
2.1 Detector switch	5
2.1.1 Adjusting detector switch	5
2.1.2 Connecting detector switch	5
2.2 Connecting intermediate cable	6
2.2.1 Solenoid valves side	6
2.2.2 Motor side	6
2.2.3 Solenoid valve number and intermediate cable part number	6
3. Air piping diagram	7
3.1 UT-A34 device (VES2700-8 class)	7
3.2 UT-A34/ST2-A device (VES2700-8 class)	8
3.3 UT-A44 device (VES3700 class)	9
3.4 UT-A44/ST2-A device (VEC3700-8 class)	10
4. Installing synchronizer	11

CONTENTS

5. Adjusting thread trimming mechanism	12
5.1 Thread trimming air cylinder	12
5.2 Position of lower knife	12
5.3 Relation between upper and lower knives	12
5.4 Positions of clamp spring and clamp spring presser	13
5.5 Pressure of clamp spring	13
5.6 Position of upper knife carrier	13
5.7 Relation between lower knife and needle	14
5.8 Position of lower knife tip	15
5.9 Lower knife carrier guide(upper)	15
5.10 Relation between lower knife and needle thread or looper thread	16
6. Adjusting tension release mechanism	17
6.1 Tension release block	17
6.2 Tension release connecting plate	17
6.3 Thread pull-off lever	17
6.4 Looper thread pull-off	18
6.5 Tension disc separator	19
6.6 Thread pull-off hook unit	19
7. Adjusting air wiper	20
8. Presser foot lifter mechanism	21
9. ST2-A device	22
9.1 Position of movable trimming knife	22
9.2 Engagement between movable and fixed trimming knives	23
9.3 Pressure of thread clamp spring	24
9.4 Adjusting thread pull-off hook unit	24

*** ILLUSTRATED PARTS LIST ***

Attention

The description in this instruction manual is subject to change for improvements of the commodity without notice.

1. Proper operation

⚠ CAUTION

Be sure to place a fabric under the presser foot when operating.

1.1 Operating procedure for UT-A34 device

The motor can be selected 1 position or 2 position. The operating procedure for 1 position and 2 position is mentioned below.

- (1) Place a fabric under the presser foot and toe down the pedal. (Fig. 1 ①)

The machine starts sewing.

- (2) Release the pedal. (Fig. 1 ②)

The needle stops at the lowest point.

(Skip this procedure when 1 position is selected.)

- (3) Heel back the pedal. (Fig. 1 ③)

The needle rises and stops at the highest point.

The trimming knife mechanism operates to cut the needle and the looper threads under the stitch plate. The looper thread is held with the clamp spring.

And then, the presser foot is raised and the air wiper blows the air. The air wiper stops blowing after two seconds.

- (4) Release the pedal. (Fig. 1 ②)

The presser foot is lowered.

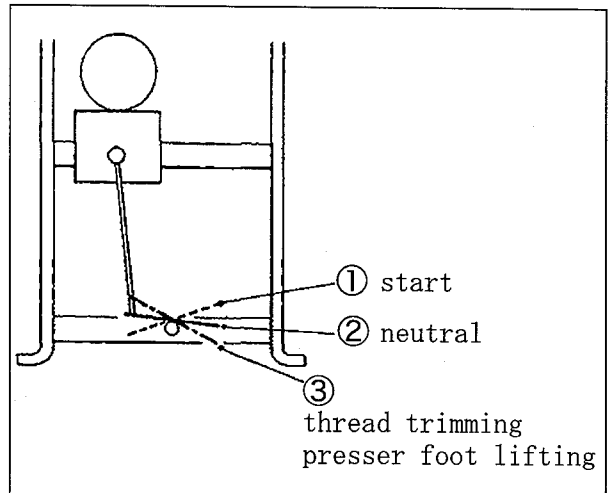


Fig. 1

NOTE

The presser foot can be moved up and down by heeling back the pedal to the positions ② and ③ until the pedal is toed down to the position ①.

1. Proper operation

1.2 Operating procedure for UT-A34/ST2-A device

The motor can be selected 1 position or 2 position. The operating procedure for 1 position and 2 position is mentioned below.

- (1) Place a fabric under the presser foot and toe down the pedal. (Fig. 2 ①)

The machine starts sewing.

- (2) Release the pedal. (Fig. 2 ②)

The needle stops at the lowest point.

(Skip this procedure when 1 position is selected.)

- (3) Heel back the pedal. (Fig. 2 ③)

The needle rises and stops at the highest point.

The trimming knife mechanism operates to cut the needle and the looper threads under the stitch plate. The looper thread is held with the clamp spring.

ST2-A device operates to cut and hold the top cover thread.

And then, the presser foot is raised.

- (4) Release the pedal. (Fig. 2 ②)

The presser foot is lowered.

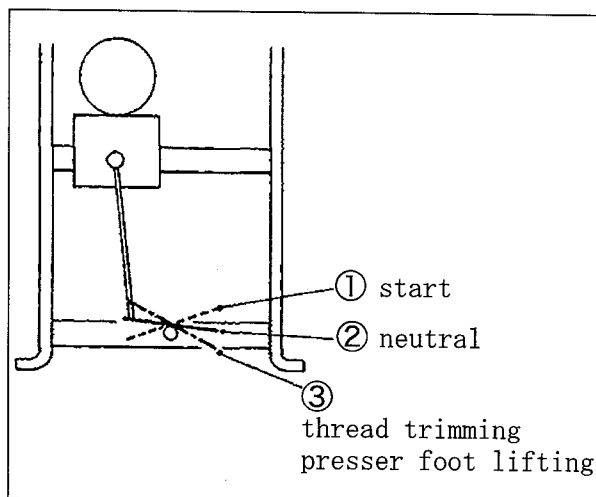


Fig. 2

NOTE

The presser foot can be moved up and down by heeling back the pedal to the positions ② and ③ until the pedal is toed down to the position ①.

1.3 Operating procedure for UT-A44 devices

The motor can be selected 1 position or 2 position. The operating procedure for 1 position and 2 position is mentioned below.

- (1) Heel back the pedal to raise the presser foot.
- (2) Place a fabric under the presser foot and toe down the pedal. (Fig. 3 ①)

The machine starts sewing and suctioning chips.

- (3) Release the pedal. (Fig. 3 ②)

Suction stops chips.

The needle stops at the lowest point.

(Skip this procedure when 1 position is selected.)

- (4) Heel back the pedal. (Fig. 3 ③)

The needle rises and stops at the highest point.

The trimming knife mechanism operates to cut the needle and the looper threads under the stitch plate. The looper thread is held with the clamp spring.

And then, the presser foot is raised and the air wiper blows the air.

The air wiper stops blowing after 2 seconds.

- (5) Release the pedal. (Fig. 3 ②)

The presser foot is lowered.

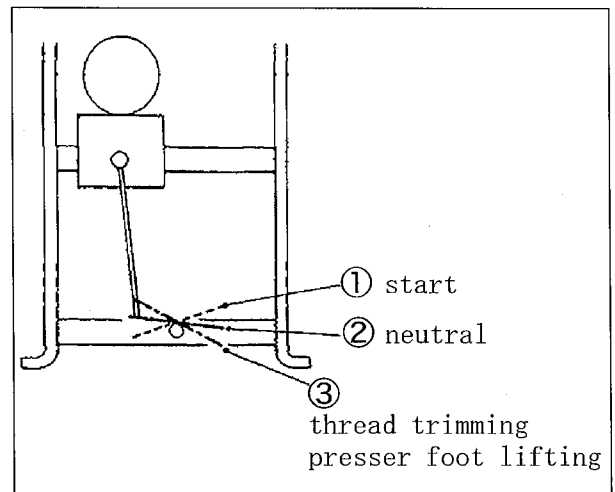


Fig. 3

NOTE

The presser foot can be moved up and down by heeling back the pedal to the positions ② and ③ until the pedal is toed down to the position ①.

1. Proper operation

1.4 Operating procedure for UT-A44/ST2-A devices

The motor can be selected 1 position or 2 position. The operating procedure for 1 position and 2 position is mentioned below.

- (1) Heel back the pedal to raise the presser foot.
- (2) Place a fabric under the presser foot and toe down the pedal. (Fig. 4 ①)

The machine starts sewing and suctioning chips.

- (3) Release the pedal. (Fig. 4 ②)

Suction stops chips.

The needle stops at the lowest point.

(Skip this procedure when 1 position is selected.)

- (4) Heel back the pedal. (Fig. 4 ③)

The needle rises and stops at the highest point.

The trimming knife mechanism operates to cut the needle and the looper threads under the stitch plate. The looper thread is held with the clamp spring.

ST2-A device operates to cut and hold the top cover thread.

And then, the presser foot is raised.

- (5) Release the pedal. (Fig. 4 ②)

The presser foot is lowered.

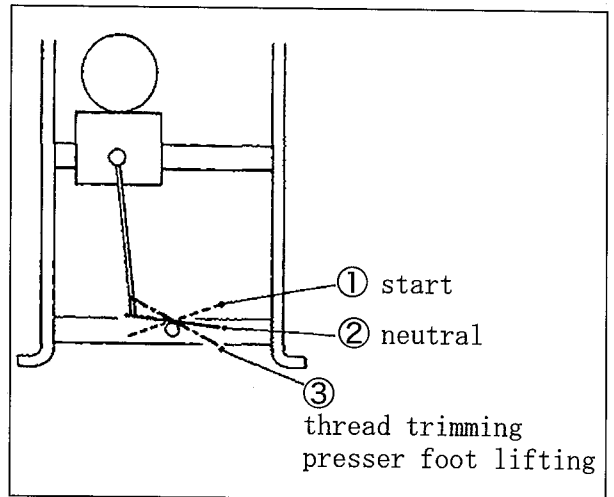


Fig. 4

NOTE

The presser foot can be moved up and down by heeling back the pedal to the positions ② and ③ until the pedal is toed down to the position ①.

2.Wiring

2.1 Detector switch

2.1.1 Adjusting detector switch

The detector switch works so that the machine does not run until the trimming knife returns to its original position.

- (1) Loosen the screws ① and ②.
- (2) Adjust the positions of the detector switch ③ and the switch guide ④ as below.
 - Make the switch turn ON when the trimming knife returns to its original position.
 - Make the switch turn OFF when the front of the upper knife touches the looper with moving the air cylinder by hand.
- (3) Tighten the screws ① and ② securely.

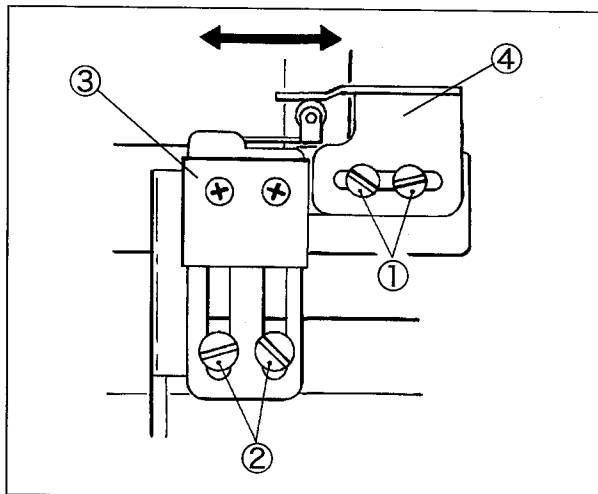


Fig. 5

2.1.2 Connecting detector switch

- (1) Connect the cords of the detector switch to the 3P-connector with the numbers as below.

black cord : ①
white cord : ③
red cord : ②

- (2) Connect the 3P-connector of the detector switch to that of the intermediate cable.

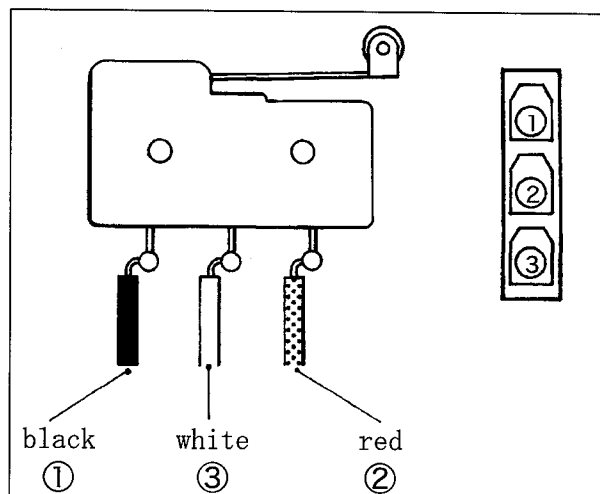


Fig. 6

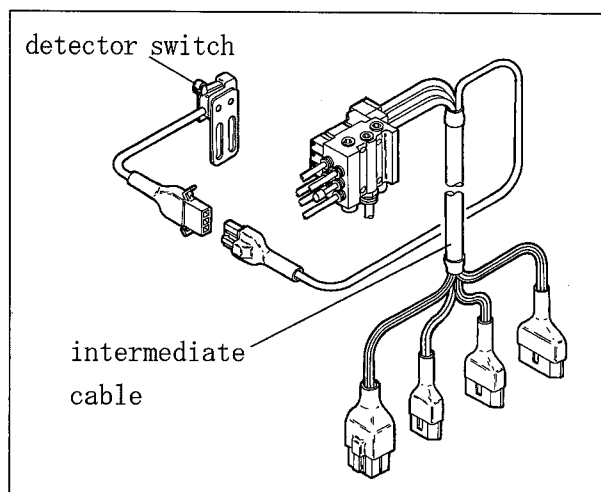


Fig. 7

2.2 Connecting intermediate cable

2.2.1 Solenoid valves side

Insert the connectors of the intermediate cable to the solenoid valves until you hear them click.

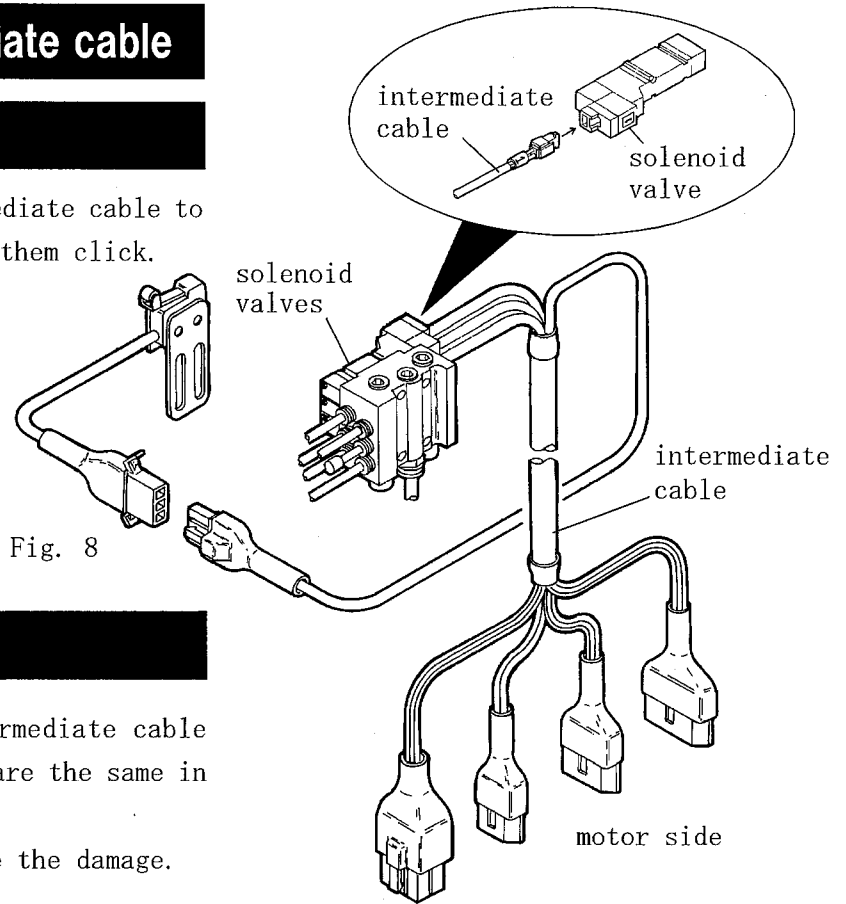


Fig. 8

2.2.2 Motor side

Connect the connectors of the intermediate cable to those of the control box. They are the same in color and shape.

Note: If not the same, it can cause the damage.

NOTES

1. Figure 10 shows three solenoid valves.
2. The intermediate cable depends on your motor.

2.2.3 Solenoid valve number and intermediate cable part number

	looper thread cutter	presse r foot lifter	air wiper	top cover thread cutter	CS device	chip suctioning pipe	number of solenoid valves	intermed iate cable part number
/UT-A34 (VES2700-8 classes)	②	①	③	×	×	×	3	1200452
/UT-A34/ST2-A (VES2700-8 classes)	②	①	×	③	×	×	3	1200452
/UT-A44 (VES3700-8 class)	②	①	③	×	×	④	4	1200454
/UT-A44/ST2-A (VES3700-8 class)	②	①	×	③	×	④	4	1200454

Table 1

Notes 1 : The circled number shows the solenoid valve number.

2 : The part number of the intermediate cable shows the use for our specified motor (Mitsubishi Motors : FY100, or HY100).

3. Air piping diagram

3.1 UT-A34 device (VES2700-8 calss)

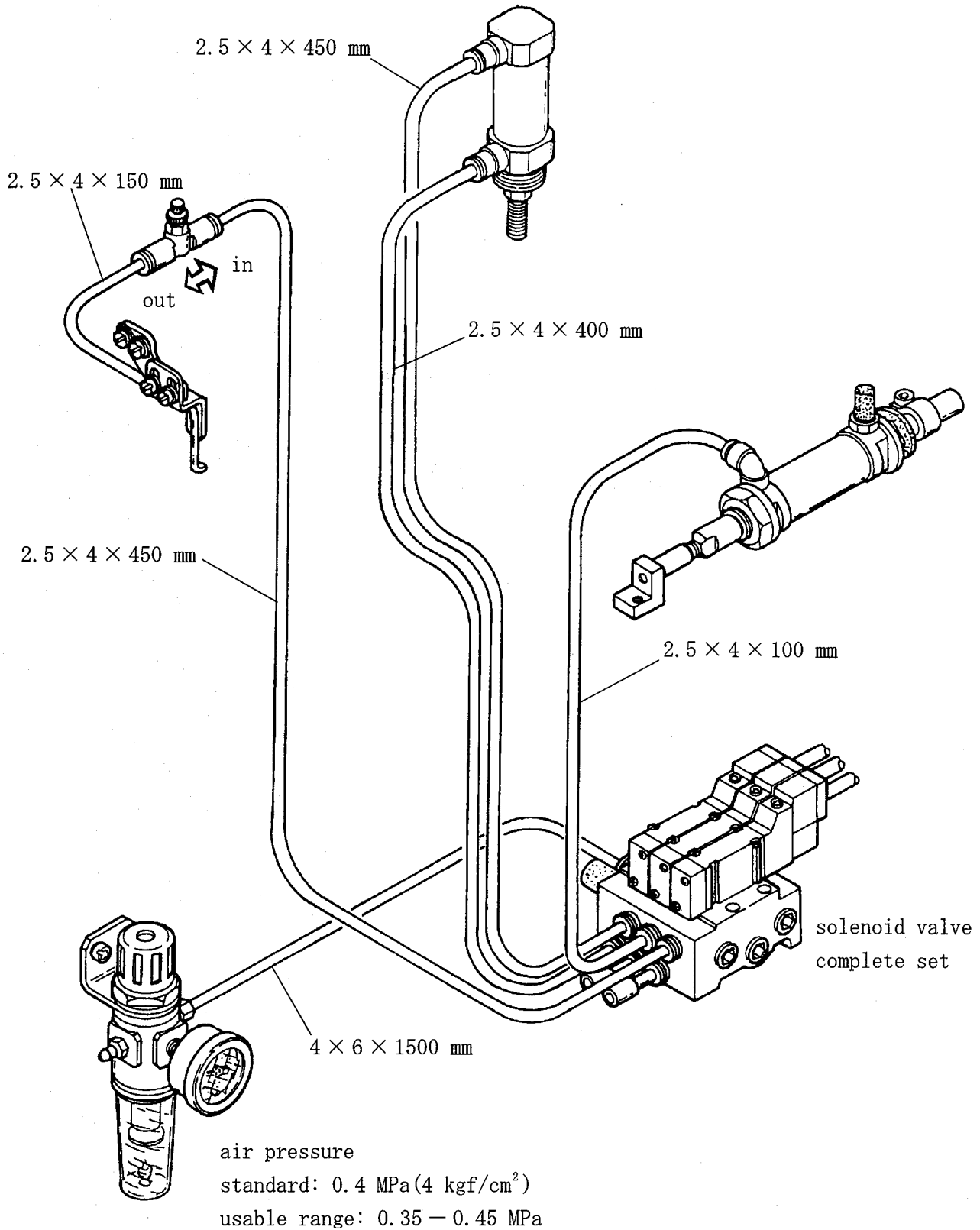


Fig. 9

3. Air piping diagram

3.2 UT-A34/ST2-A device (VES2700-8 class)

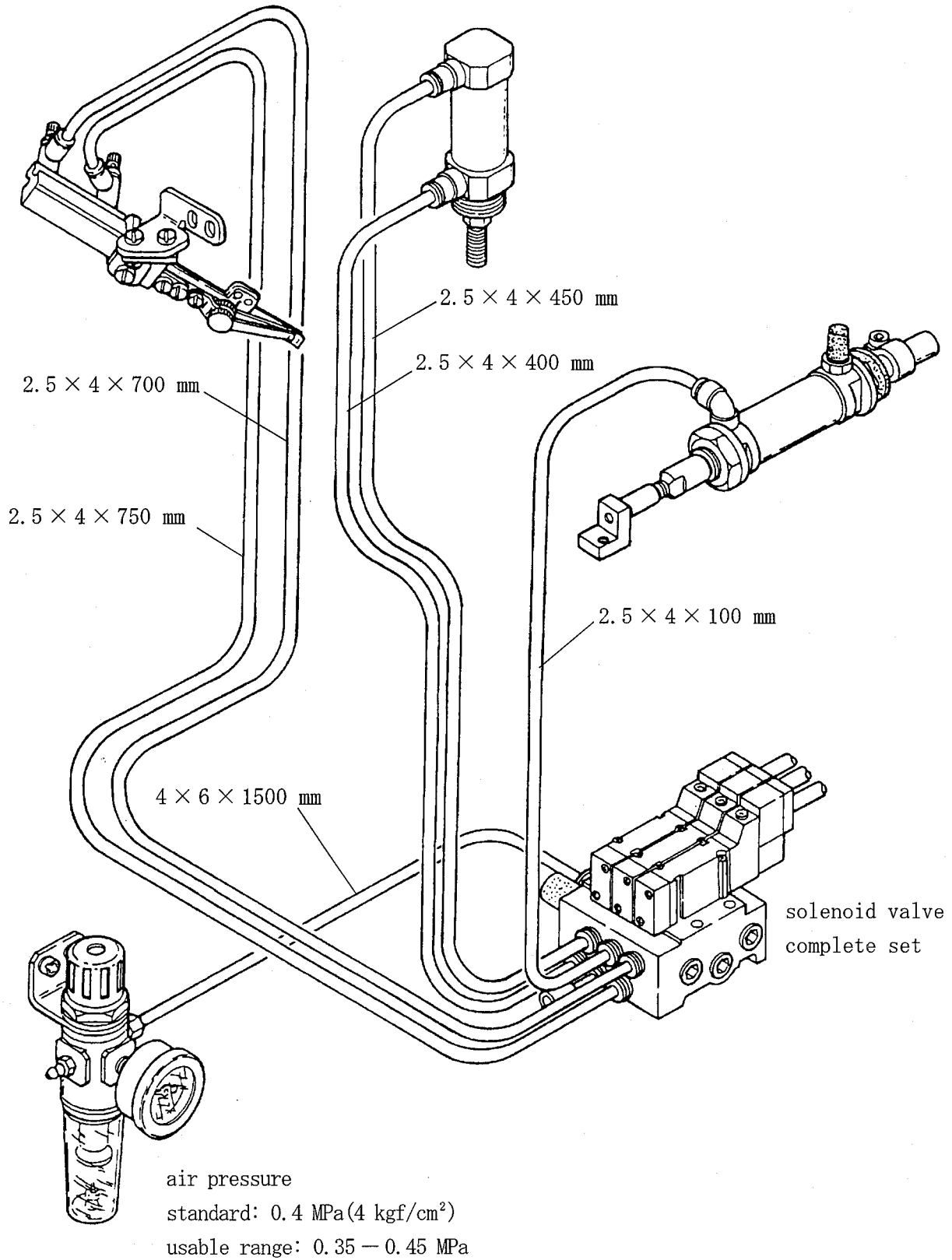


Fig. 10

3.3 UT-A44 device (VES3700-8 class)

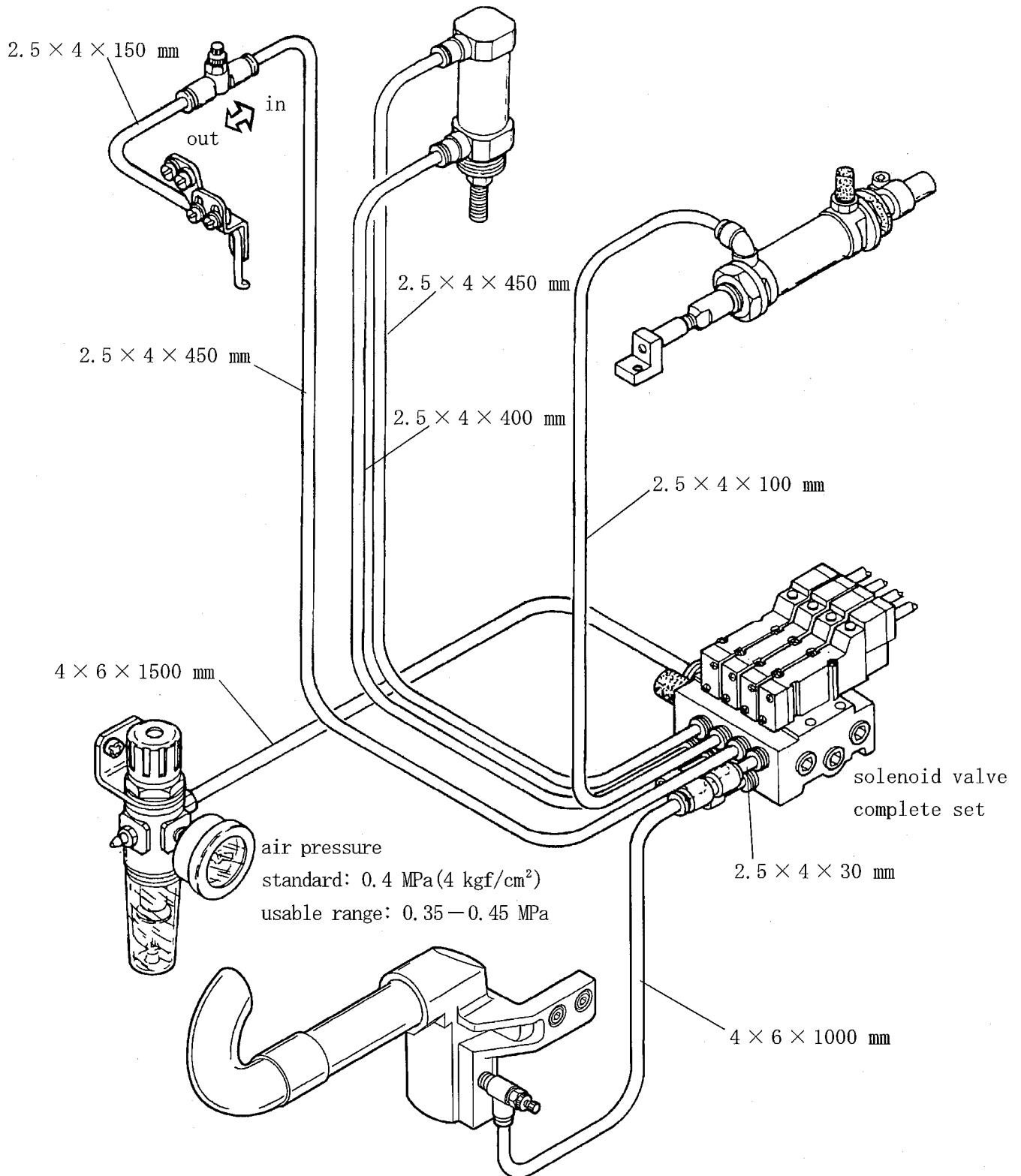


Fig. 11

3. Air piping diagram

3.4 UT-A44/ST2-A device (VES3700-8 class)

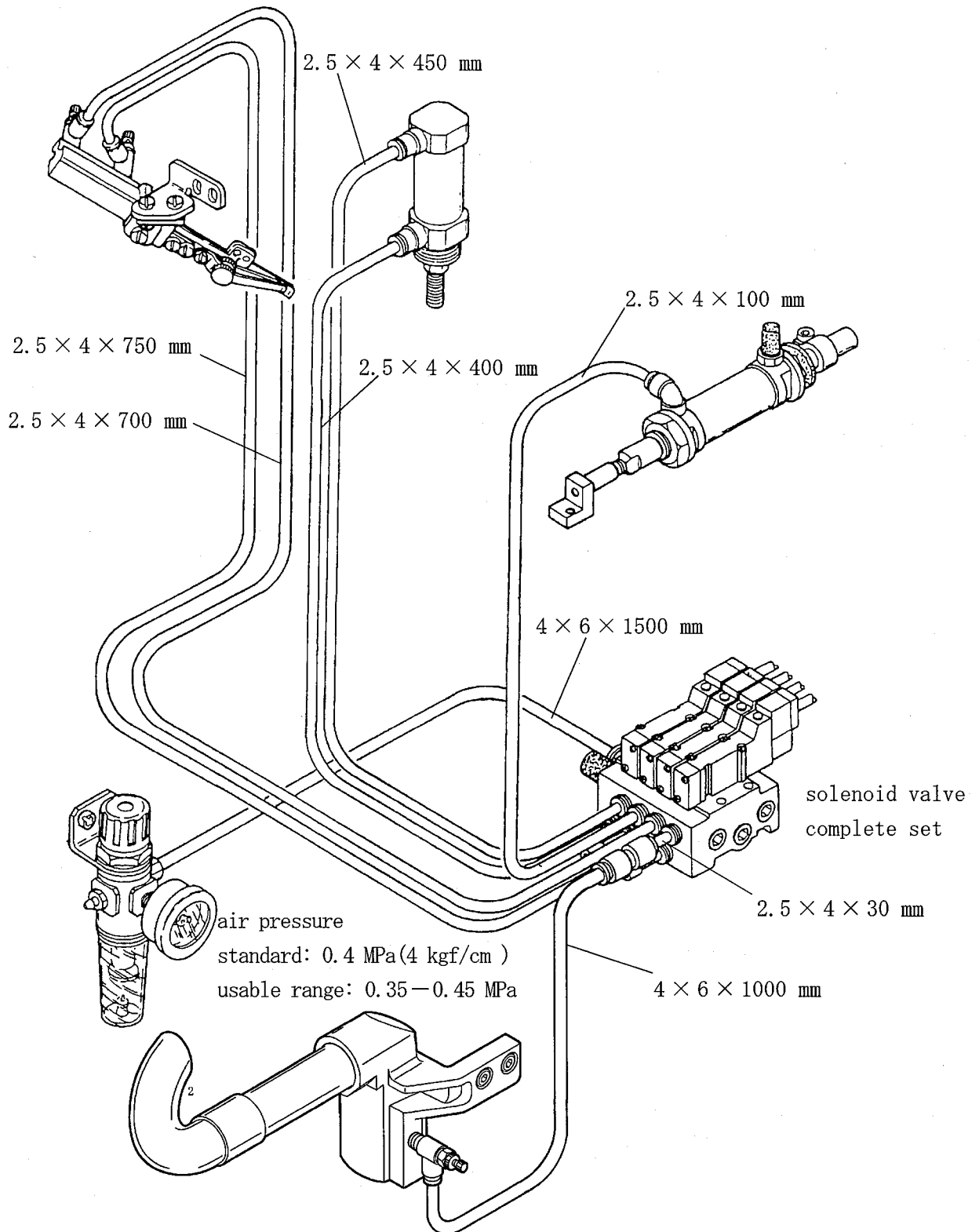


Fig. 12

4. Installing synchronizer

⚠ CAUTION

Unplug all intermediate cables connected to the solenoid valves.

If not, the parts may be touched and broken.

- (1) Install the synchronizer① on the machine pulley and tighten the screws② slightly.
- (2) Set the synchronizer positioning pin③ into the groove of the synchronizer① and tighten the screw④ securely.
- (3) Turn the motor switch "ON".
- (4) Toe down the pedal to sew two or three stitches.
- (5) Heel back the pedal. Then the needle stops a certain position.
- (6) Loosen the screws② and rotate the pulley clockwise. Align the line of the handwheel⑤ with the hole⑥ of the machine arm with keeping the positions of the screws② (be sure not to rotate the shaft of the synchronizer).

NOTES

1. The needle bar is at the highest point at (6).
2. Use this device when the needle bar is at the position 0.5 mm below its highest point by further rotating the pulley.

- (7) Toe down the pedal to sew a few stitches. Check that the needle bar stops at the position 0.5 mm below its highest point.

After installing the synchronizer, see "2.2.1 Solenoid valves side" to connect all intermediate cables to the solenoid valves.

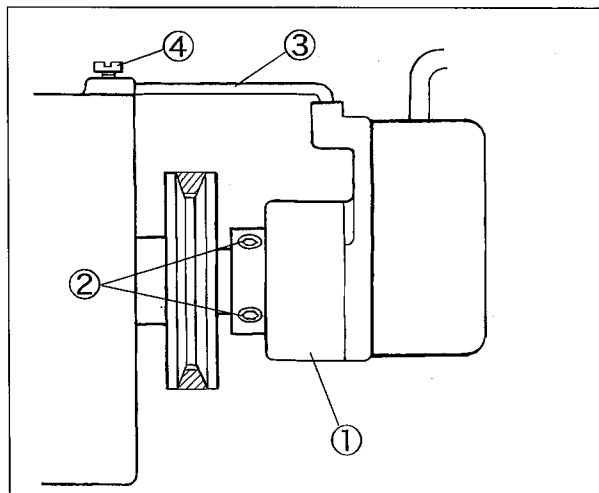


Fig. 13

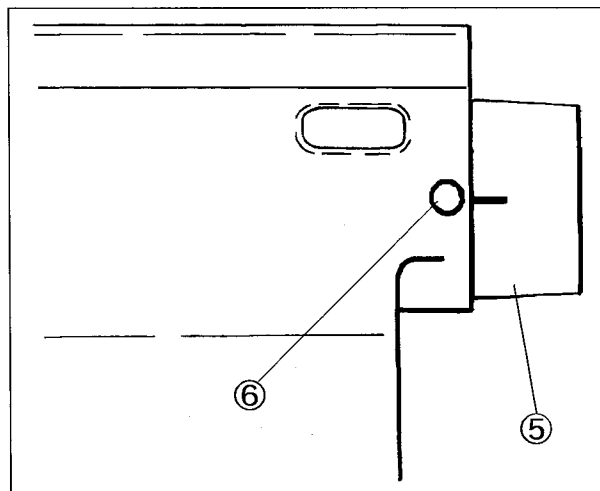


Fig. 14

5. Adjusting thread trimming mechanism

⚠ WARNING

ALWAYS turn the motor switch OFF and check that the motor has been already stopped.

5.1 Thread trimming air cylinder

The proper stroke of the air cylinder is 15 mm.
Loosen the screw ② of the collar ① to adjust it.

⚠ CAUTION

Readjust the thread trimming mechanism after changing the stroke of the air cylinder.

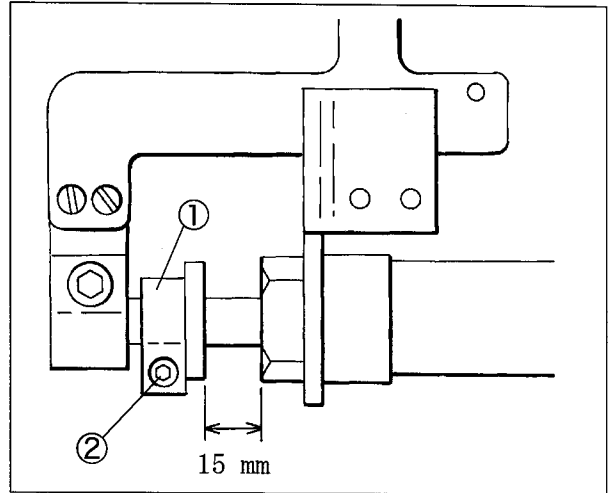


Fig. 15

5.2 Position of lower knife

⚠ CAUTION

Operate the trimming knife mechanism manually only when the needle is at the highest point. If not, the parts may be touched and broken.

- (1) Set the part ④ on the upper knife ③ parallel to the part ⑥ on the lower knife carrier ⑤.
- (2) Tighten the screws ⑦ securely.

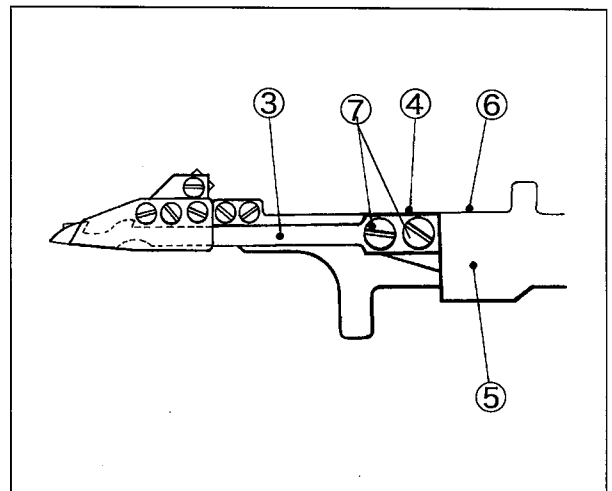


Fig. 16

5.3 Relation between upper and lower knives

- (1) Loosen the screws ⑫.
- (2) Adjust the needle thread hook ⑧ of the lower knife to pass at the corner ⑩ of the upper knife ⑨.
- (3) Move the lower knife at the extreme right and the upper knife ⑨ right or left. Make the engagement between the looper thread hook ⑪ and the upper knife ⑨ to 0.5 mm.
- (4) Tighten the screws ⑫ securely.

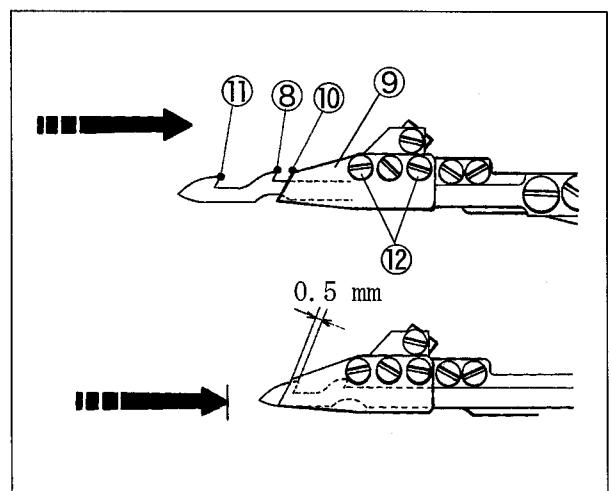


Fig. 17

5.4 Positions of clamp spring and clamp spring presser

- (1) Loosen the screws ②.
- (2) Set the part ④ of the lower knife ① even with the back of the clamp spring ③ when the lower knife moves to the right.
- (3) Tighten the screws ② securely.
- (4) Loosen the screws ⑥.
- (5) Set the back of the clamp spring pressure ⑤ even with the backs of the lower knife ① and the clamp spring ③.
- (6) Make the distance between the left tip of the clamp spring pressure ⑤ and the upper knife tip to 1 mm.
- (7) Tighten the screws ⑥ securely.

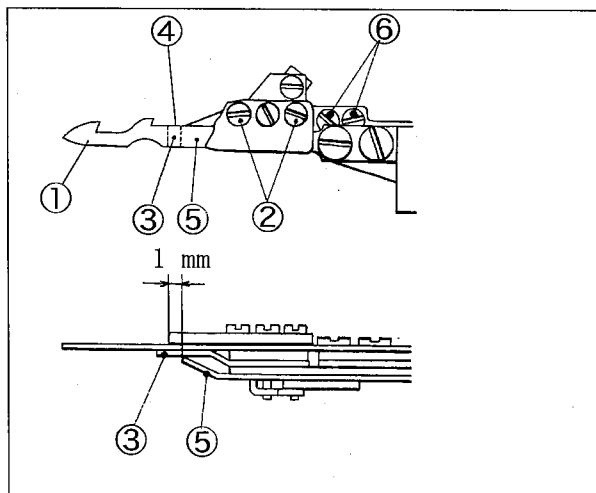


Fig. 18

5.5 Pressure of clamp spring

The looper thread is caught and held with the clamp spring ③ after cutting it.

Turn the adjusting screw ⑦ to adjust the pressure.

- To increase the pressure, turn it clockwise.
- To decrease the pressure, turn it counter-clockwise.

Keep the pressure to a minimum for holding the looper thread.

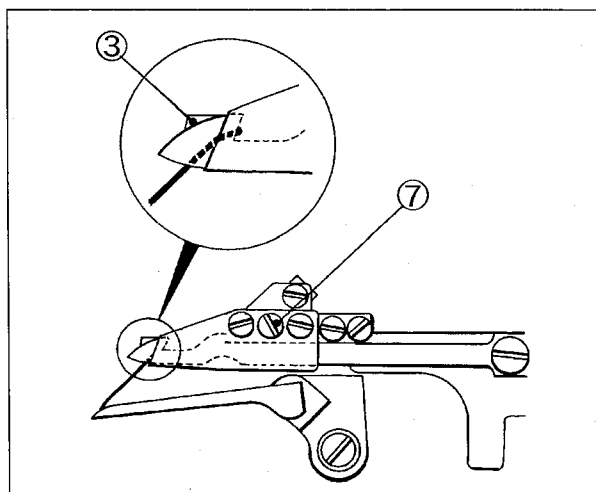


Fig. 19

5.6 Position of upper knife carrier

The upper knife carrier ⑨ slides to the left simultaneously with the lower knife carrier ⑧.

And it stops by touching the upper knife carrier stop ⑩.

The upper knife slides under the stitch plate.

The upper knife carrier stop positions with the screws ⑪ automatically.

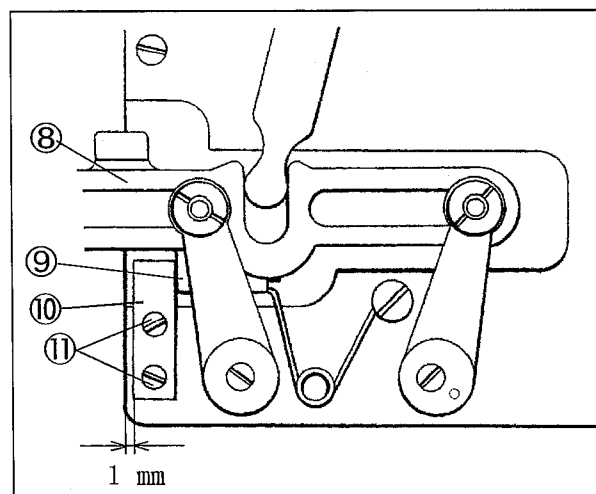


Fig. 20

5.7 Relation between lower knife and needle

- (1) Loosen the nuts ②.
- (2) Move the lower knife ① at the extreme left.
- (3) Move the connecting block ③ right or left to make the distance between the needle thread hook ④ and the left needle to 3.5 - 4.5 mm.
- (4) Tighten the nuts ② securely.

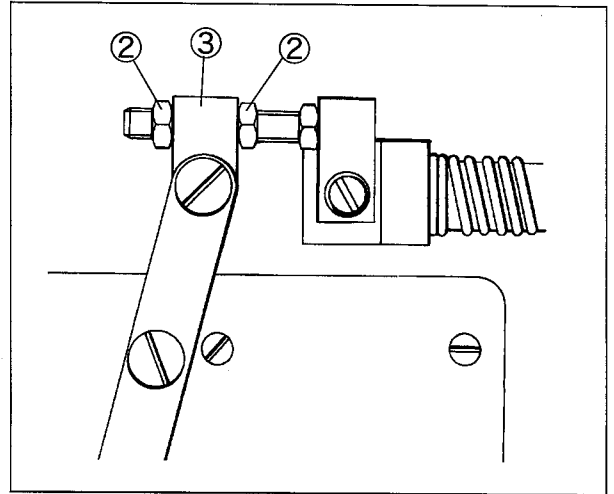


Fig. 21

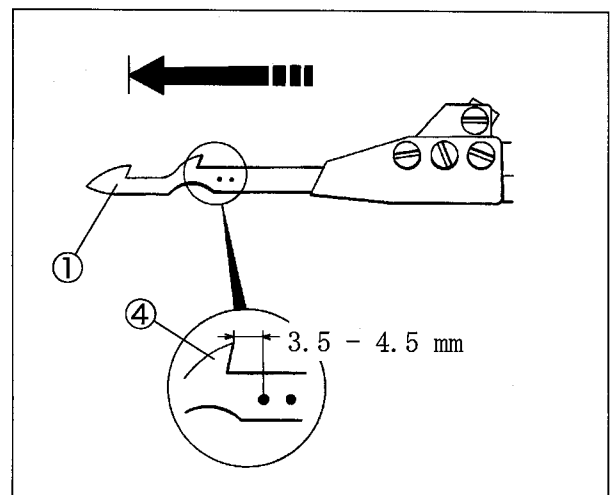


Fig. 22

5.8 Position of lower knife tip

- (1) Move the lower knife ① to the left.
- (2) When the distance between the tip ② of the lower knife ① and the right end of the looper is 12 mm, center the tip ② with the flat part of the looper.
- (3) Loosen the screw ③ and turn the knife guide lever ring(right) ④ to adjust the tip ②.
 - To move the tip backward, turn it clockwise.
 - To move the tip forward, turn it counterclockwise.
- (4) Tighten the screw ③ securely.

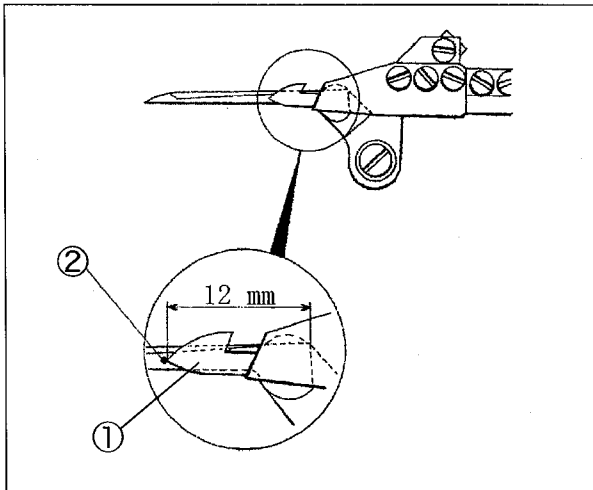


Fig. 23

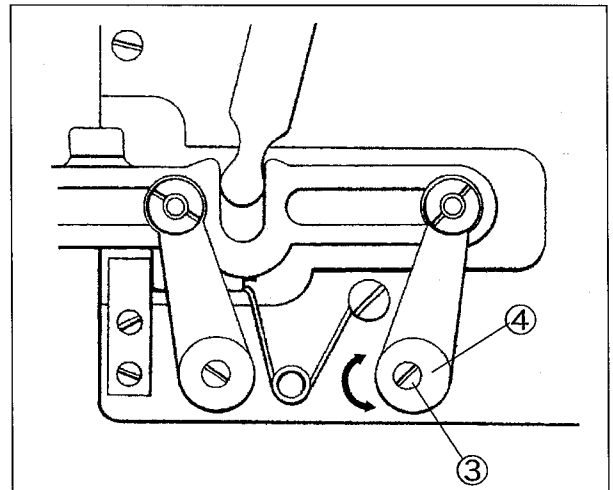


Fig. 24

5.9 Lower knife carrier guide (upper)

The upper knife carrier slides to the left simultaneously with the lower knife carrier. And it stops by touching the upper knife carrier stop.

- (1) Loosen the screws ⑤.
- (2) Make the clearance between the lower knife carrier ⑥ and the lower knife carrier guide (upper) ⑦ to 0.05 - 0.1 mm when the upper knife carrier stops.
- (3) Tighten the screws ⑤ securely.

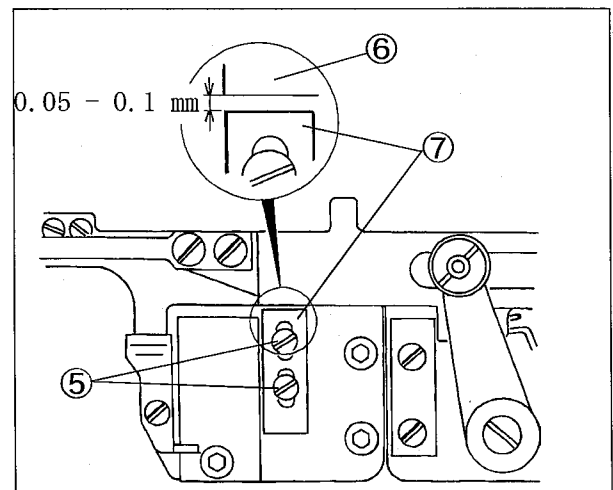


Fig. 25

5.10 Relation between lower knife and needle thread or looper thread

After all adjustments, recheck following points before sewing.

★ The lower knife① should pass through the needle thread loops② and ③, and the hook④ should pass in front of the looper thread.

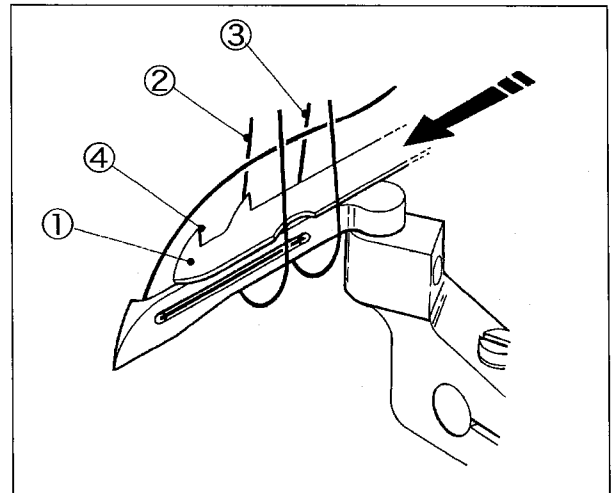


Fig. 26

★ The needle and the looper threads are pulled with the hooks④ and ⑤ to the right when the lower knife① returns. Then the upper knife cuts the threads.

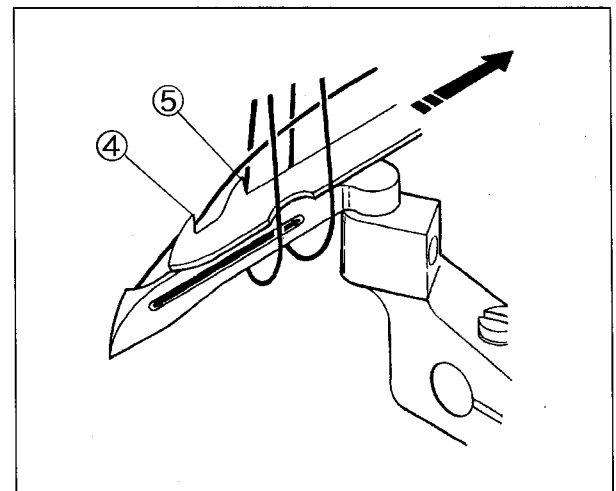


Fig. 27

6. Adjusting tension release mechanism

WARNING

ALWAYS turn the motor switch OFF and check that the motor has been already stopped.

6.1 Tension release block

- (1) Loosen the screw ③.
- (2) When the rod of the thread trimming air cylinder is at the extreme left (when the trimming knife device does not operate), even up the edge of the tension release block ① and rod end ② of the air cylinder.
- (3) Tighten the screw ③ securely.

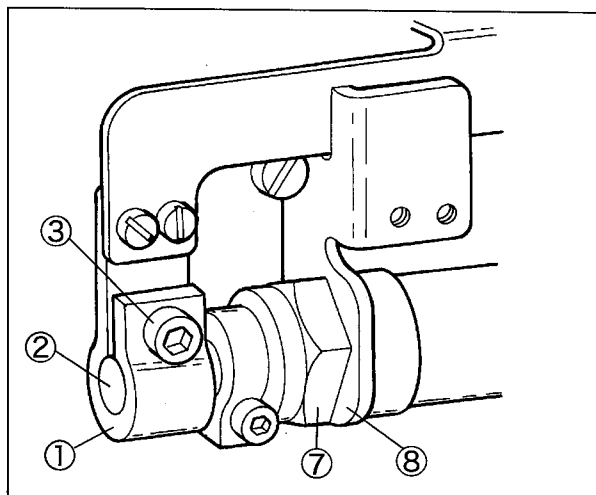


Fig. 28

6.2 Tension release connecting plate

Adjust it referring to Figs. 28 and 29.

- (1) Loosen the lock nut ⑦ of the air cylinder.
- (2) Adjust the position of the switch holder ⑧ so that the tension release connecting plate ④ is in the center between the screw head ⑤ and the tension release lever ⑥.
- (3) Tighten the lock nut ⑦ securely.

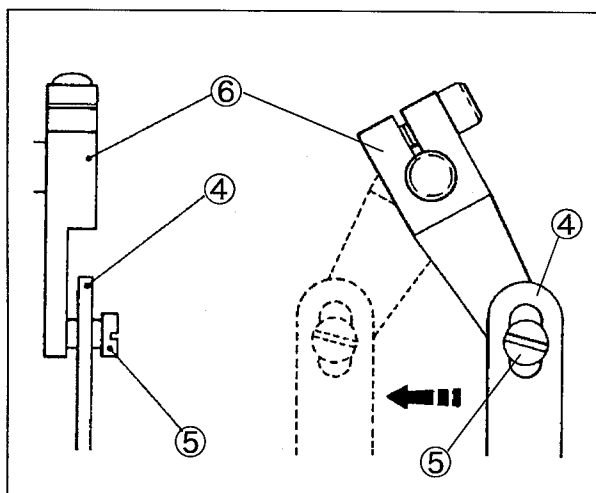


Fig. 29

6.3 Thread pull-off lever

- (1) Loosen the screw ⑩ of the tension release lever on the rear of the machine frame.
- (2) Raise the thread pull-off lever ⑨ at the highest point.
- (3) Tighten the screw ⑩ securely.

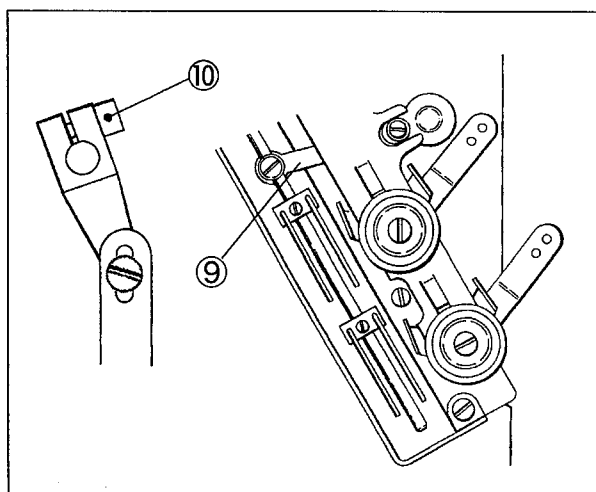


Fig. 30

6.4 Loper thread pull-off

When using stretchable thread like woolly for the looper, use the looper thread pull-off ① and the looper thread pull-off eyelet ② if required.

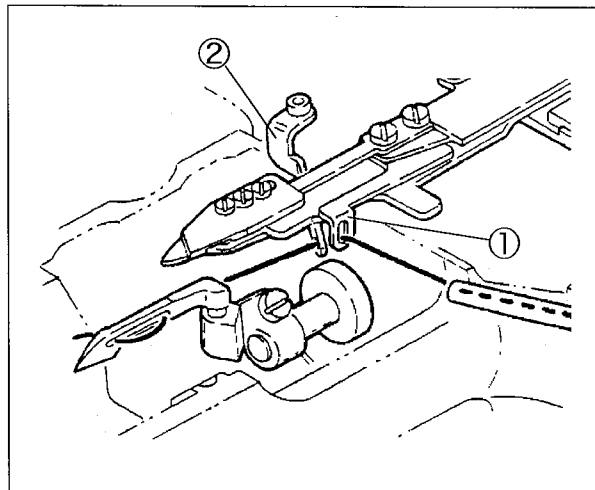


Fig. 31

6.5 Tension disc separator

- (1) Loosen the screw ② of the tension release adjusting eccentric ①.
- (2) Position the tension disc separator ③ by turning the tension release adjusting eccentric ① so that the thread tension discs can open as fast as possible.
To open the thread tension discs fast, lower the tension disc separator ③.
- (3) Loosen the screw ⑦ to set the top of the tension pull-off bar ④ 35 mm extruded from that of the thread pull-off eyelet ⑤.
- (4) Tighten the tension pull-off bar ④ to the thread pull-off bar holder ⑥ with the screw ⑦.

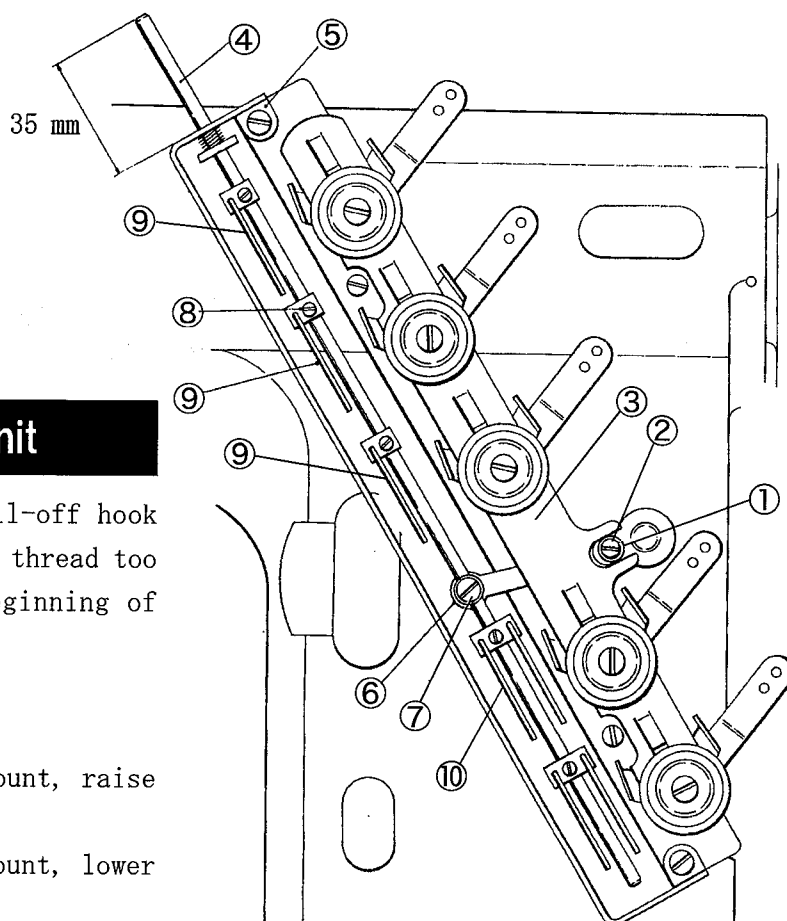


Fig. 32

6.6 Thread pull-off hook unit

Adjust the position of the thread pull-off hook unit ⑨ without remaining of the needle thread too much on the fabric surface at the beginning of sewing.

Loosen the screws ⑧ to adjust them.

- To decrease the thread pull-off amount, raise the thread pull-off hook unit ⑨.
- To increase the thread pull-off amount, lower the unit ⑨.

⚠ CAUTION

1. If the thread pull-off amount of the hook unit ⑨ is too little, the stitch cannot be formed at the beginning of sewing.
2. Use the thread pull-off hook unit ⑩ only when using woolly thread for the looper. When not using, raise it at the position the thread does not pull-off.

7. Adjusting air wiper

- (1) Loosen the screws ③.
- (2) Slide the air wiper ① back or forth to blow the air behind the needles.
- (3) Tighten the screws ③ securely.
- (4) Loosen the screws ④.
- (5) Raise the needle at the highest point, and set the center of the air blowing hole ② of the air wiper 1–2 mm below the left needle eye.
- (6) Tighten the screws ④ securely.
- (7) Adjust the air volume with adjusting screw of the speed controller ⑤.

● To decrease the air volume, turn it clockwise.

● To increase the air volume, turn it counter-clockwise.

⚠ CAUTION

1. Keep the air volume to a minimum.
2. If the air blows in front of the needles, the needle thread may be slipped away from the needle eye. Make sure that the air blows behind the needles.

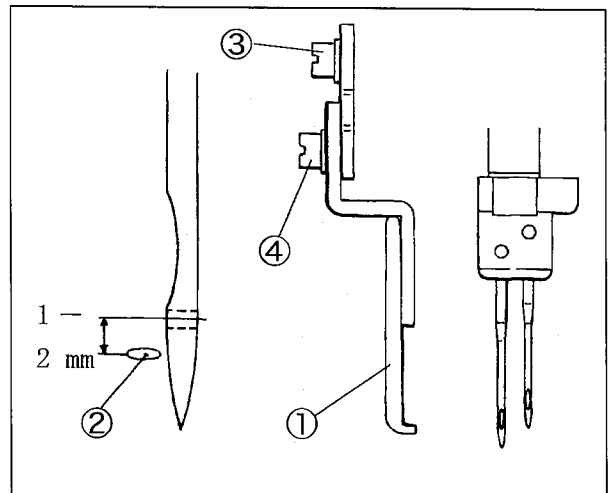


Fig. 33

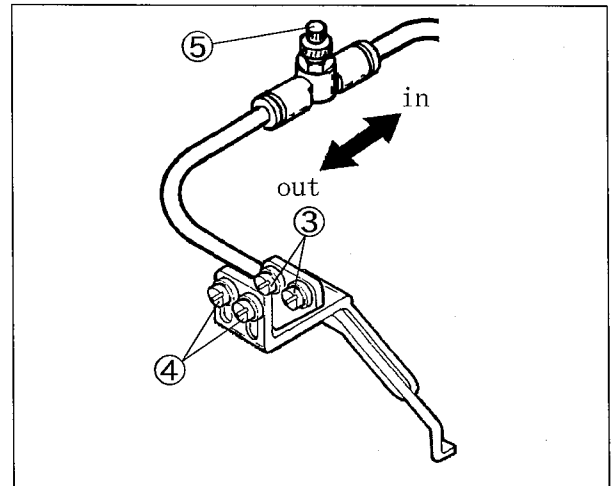


Fig. 34

8. Presser foot lifter mechanism

WARNING

ALWAYS turn the motor switch OFF and check that the motor has been already stopped.

- (1) Loosen the lock nut ①.
- (2) Turn the cylinder rod chip ③ to raise the presser foot by 5 mm (without the spreader: 7 mm) when the cylinder rod ② is lowered (when the cylinder operates).
- (3) Tighten the lock nut ① securely.

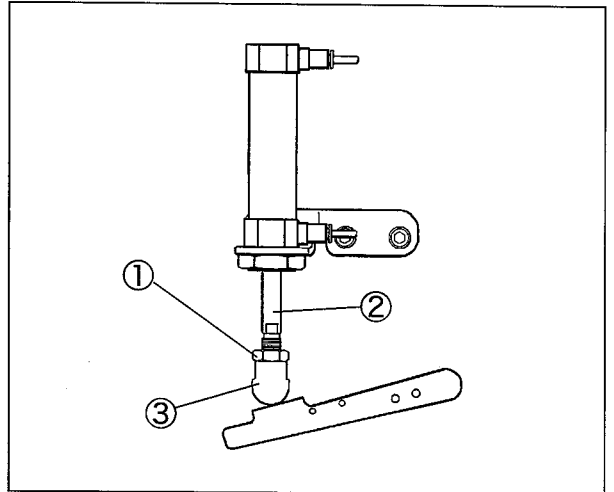


Fig. 35

9.ST2-A device

⚠ WARNING

ALWAYS turn the motor switch OFF and check that the motor has been already stopped.

9.1 Position of movable trimming knife

- (1) Align the line of the handwheel ① with the mark ② of the machine arm (the needle is at the highest point).
- (2) Insert a pair of tweezers through the hole ④ to set the movable trimming knife ③ at the lowest point.

NOTE

Never touch the movable trimming knife ③ to the presser foot, the left needle ⑤, and the spreader ⑥ when lowering .

If touched them, loosen the screws ⑦ and ⑧ to adjust it.

- (3) Loosen the screw ⑩ when the movable trimming knife ③ is at the lowest point. Make the clearance between the top of the stitch plate and the movable trimming knife tip ⑨ to 5.5 - 6.0 mm.

NOTE

After adjusting above, the movable trimming knife ③ should be crossed over the top cover thread.

- (4) After that, tighten the screws ⑦, ⑧, and ⑩ securely.
- (5) Check the position of the movable trimming knife ③ while moving it up or down.

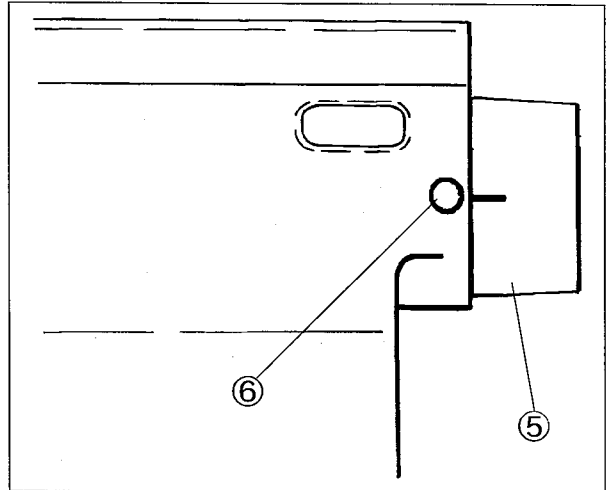


Fig. 36

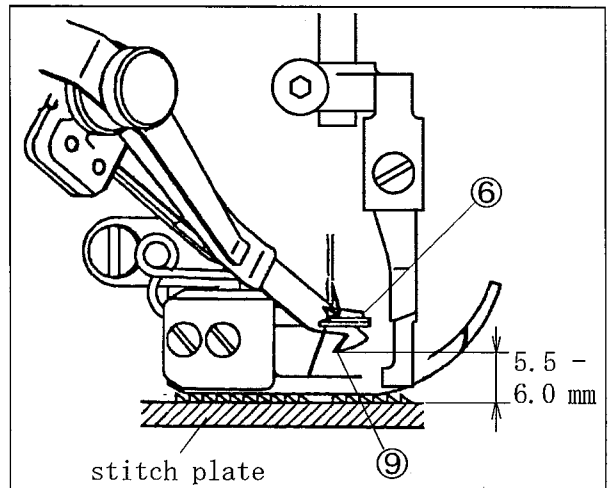


Fig. 37

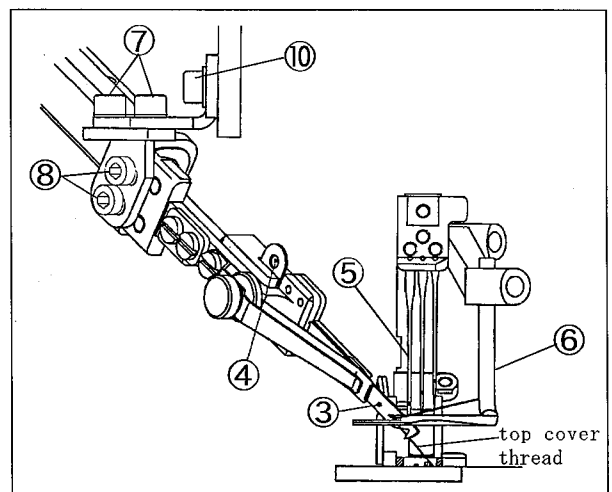


Fig. 38

NOTE

To adjust the speed of the movable trimming knife, loosen the nuts ① and turn the adjusting screws ② on the speed controllers of the air cylinder.

- To speed down, turn them clockwise.
- To speed up, turn them counterclockwise.

The presser foot starts rising immediately after cutting the top cover thread with the movable trimming knife. Adjust the speed so that the movable trimming knife does not touch the presser foot.

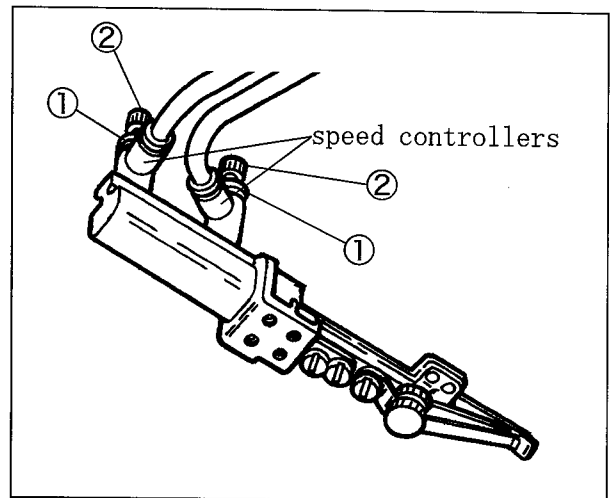


Fig. 39

9.2 Engagement between movable and fixed trimming knives**WARNING**

ALWAYS turn the motor switch OFF and check that the motor has been already stopped.

The engagement between the movable trimming knife ③ and the fixed trimming knife ④ has been adjusted as shown in Fig. 40.

Normally adjustment above is unnecessary.

NOTE

The stroke of the movable trimming knife is the same as that of the air cylinder.

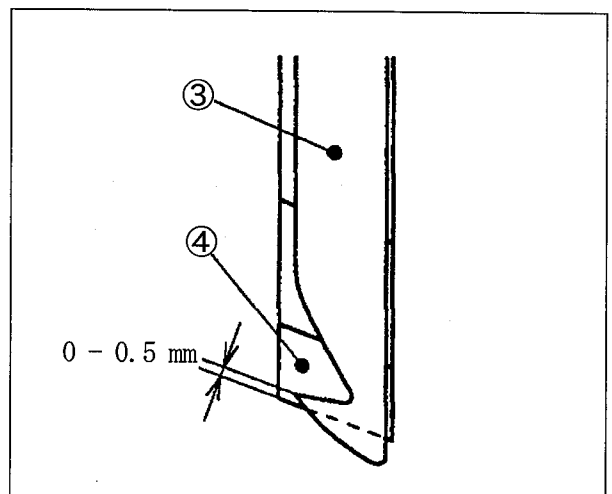


Fig. 40

9.3 Pressure of thread clamp spring

Keep the pressure to a minimum for holding the threads.

- (1) Loosen the nut ③.
- (2) Adjust the pressure with the adjusting screw ④ so that the thread clamp spring ② and the movable trimming knife ① hold the threads cut with the knives.
To increase the pressure, tighten the adjusting screw ④.
- (3) Tight the nut ③ securely.

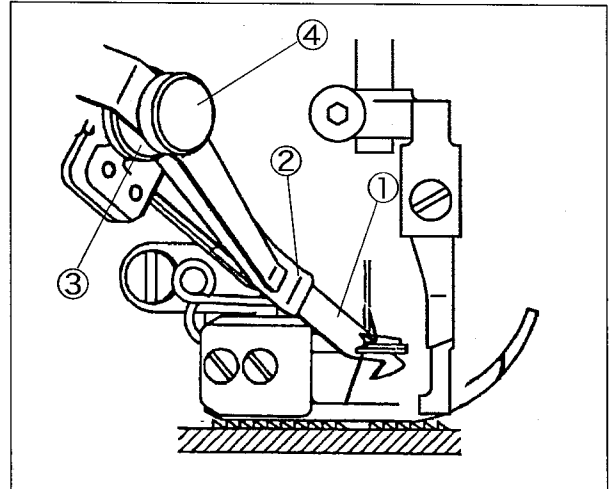


Fig. 41

9.4 Adjusting thread pull-off hook unit

- To decrease the thread pull-off amount, raise the thread pull-off hook unit ⑤.
- To increase the thread pull-off amount, lower it ⑤.

NOTES

1. The feed of the thread should be as much as possible. If not enough, the top cover thread cannot be held after cutting.
2. When using stretchable thread like woolly, thread through the top cover thread eyelet ⑥.

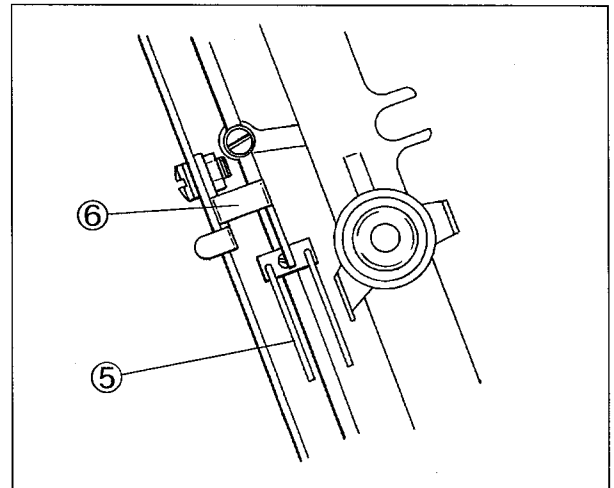
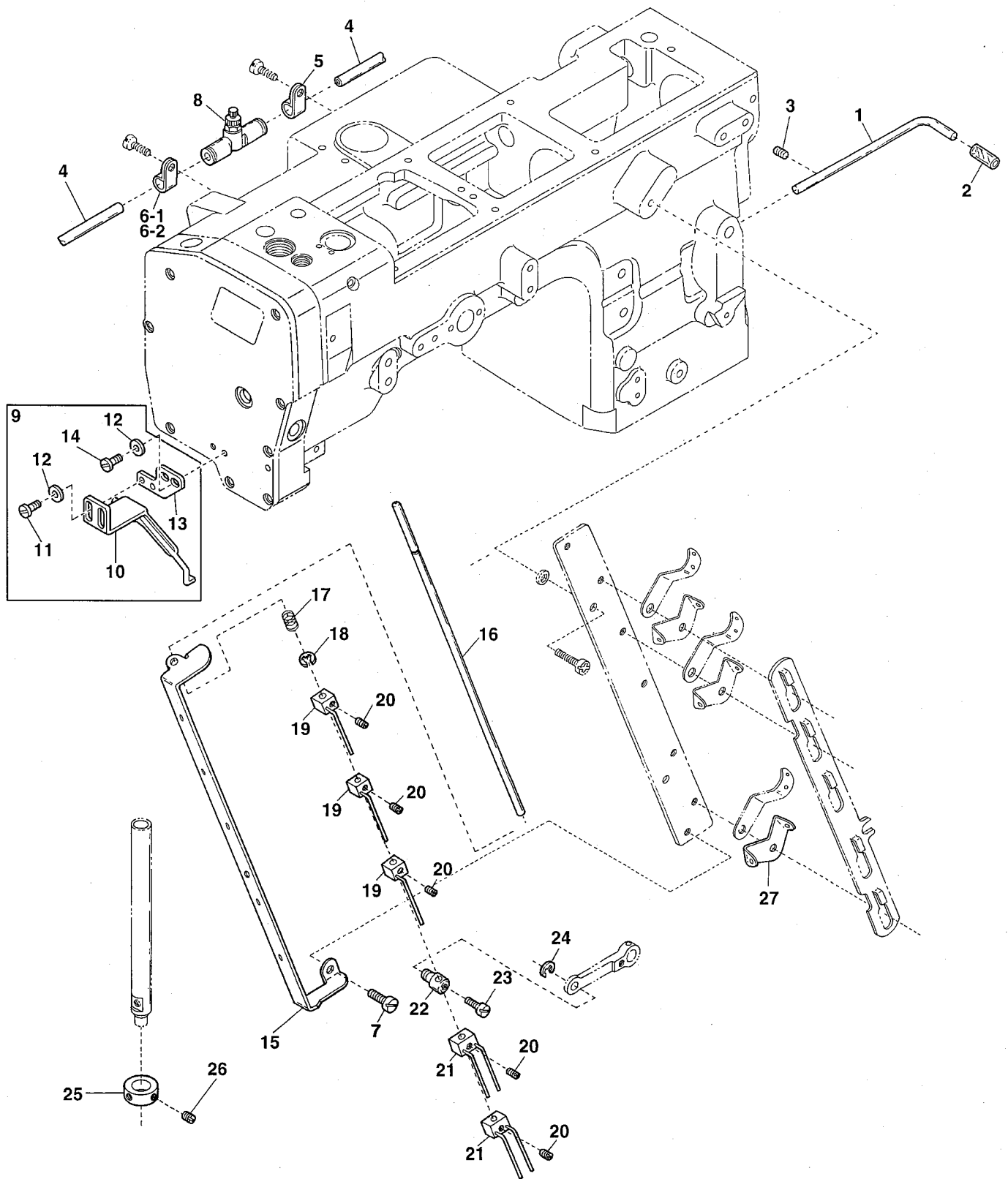


Fig. 42

ILLUSTRATED SPARE PARTS LIST

VES/UT-A

1 UT-A □ □ DEVICE(1)

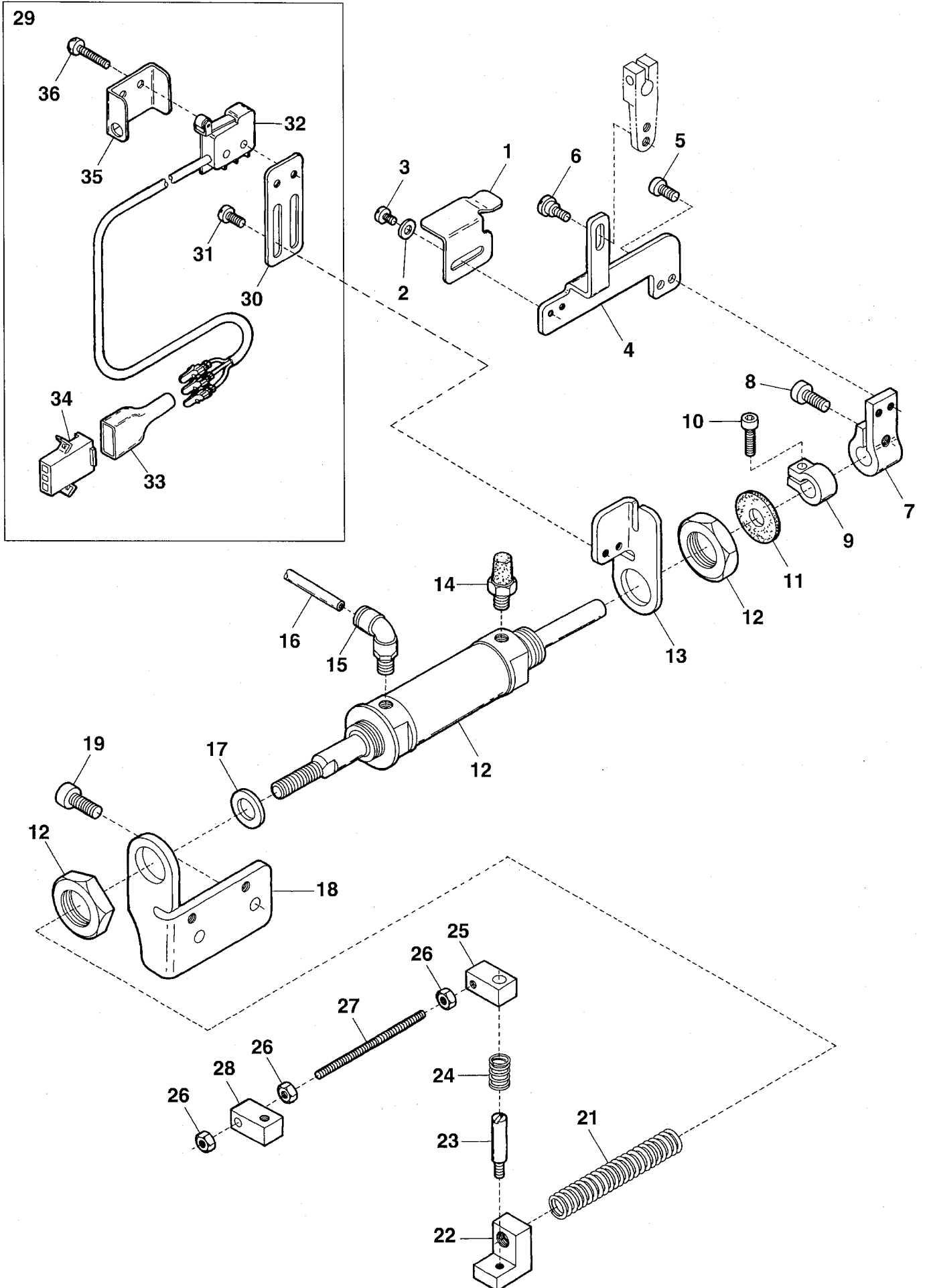


Ref.No	Parts No.	Description	品 名	Amt. Req
1	0022836	Synchronizer Positioning Pin	ポジションナピン	1
2	0022837	Synchronizer Cushion	ポジションナピンクッション	1
3	009736	Screw(M4-0.7 × 6)	止ネジ	1
4	1096029	Air Tube(4 × 2.5mm)(Black)	エアチューブ(黒)	-
5	0023381	Cord Clamp(6N- φ 10.6)	コードクランプ	1
6-1	0094491	Cord Clamp(2N- φ 3.4)	コードクランプ	1
6-2	0063612	Cord Clamp(4N- φ 6.8)(for ST2-A)	コードクランプ	1
7	110013	Screw(M4-0.7 × 8)	止ネジ	2
8	1095007	Speed Controller	スピードコントローラ	1
9	3161003	Air Wiper, C. Set	エアワイバ(組)	1
10	3161004	Air Wiper	エアワイバ	1
11	110009	Screw(M4-0.7 × 8)	止ネジ	2
12	000538	Washer	ワッシャ	4
13	3151011	Air Wiper Support	エアワイバ取付板	1
14	110080	Screw(M4-0.7 × 8)	止ネジ	2
15	3100529	Thread Pull-off Eyelet	糸緩メ糸道	1
16	3500530	Thread Pull-off Bar	糸緩メ棒	1
17	0063076	Swing-proof Spring	糸緩メ棒防振バネ	1
18	0077179	Retaining Ring	ストップリング	1
19	3500514	Thread Pull-off Hook Unit	糸緩メフック(組)	3
20	003657	Screw(M4-0.7 × 3)	止ネジ	5
21	3500516	Thread Pull-off Hook Unit	糸緩メフック(組)	2
22	0094396	Thread Pull-off Bar Holder	糸緩メ棒連結片	1
23	007006	Screw(9/64-40 × 4)	止ネジ	1
24	0033024	Retaining Ring	ストップリング	1
25	3500360	Collar(9 × 15 × 7.5mm)	カラー	1
26	160001	Screw(M4-0.7 × 4)	止ネジ	2
27	0090856	Tension Disc Eyelet	糸調子皿糸道	1

(注) ワイパはエア吹き付け式になっておりエアシリングを使用していません。

Note : For Wiper, the air blowing system is used instead of Air Cylinder.

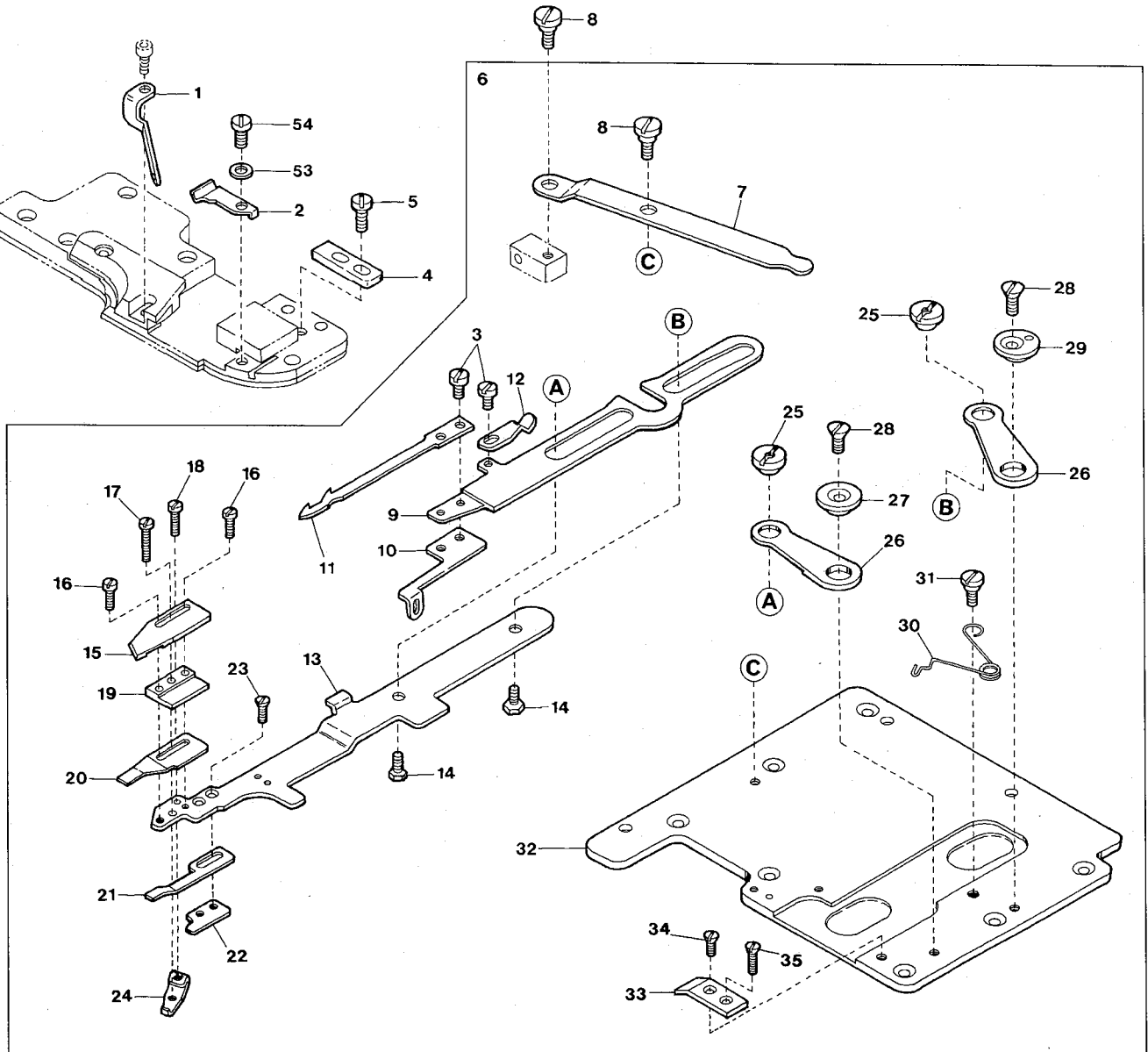
UT-A □□ DEVICE(2)



Ref.No	Parts No.	Description	品名	Amt. Req
1	0063608	Switch Guide	スイッチガイド	1
2	000014	Washer	ワッシャ	2
3	110002	Screw(M3-0.5 × 5)	止ネジ	2
4	3101587	Tension Release Connecting Plate	糸緩メ連結板	1
5	110009	Screw(M4-0.7 × 8)	止ネジ	2
6	170009	Screw(M4-0.7 × 4)	止ネジ	1
7	3101588	Tension Release Block	糸緩メブロック	1
8	009976	Screw(M6-1 × 15)	止ネジ	1
9	3100567	Collar	カラー	1
10	120001	Screw(M4-0.7 × 14)	止ネジ	1
11	0014120	Anti-shock Rubber	緩衝ゴム	1
12	1091160	Air Cylinder	エアシリンダ	1
13	3101586	Switch Holder	スイッチ台	1
14	1097007	Silencer	サイレンサ	1
15	0010057	Elbow Connector(φ 4-PT1/8)	エルボコネクタ	1
16	1096029	Air Tube(4 × 2.5mm)(Black)	エアチューブ(黒)	-
17	000498	Washer	ワッシャ	1
18	3101585	Air Cylinder Bracket	エアシリンダ台	1
19	120006	Screw(M6-1 × 12)	止ネジ	2
20				
21	0012071	Cylinder Return Spring	シリンダ戻シバネ	1
22	3101590	Plunger	プランジャ	1
23	180006	Screw(M5-0.8 × 6)	ピンネジ	1
24	3100523	Connecting Block(Right) Support Spring	連結ブロック支エバネ	1
25	3120157	Connecting Block(Right)	連結ブロック(右)	1
26	100002	Nut(M5-0.8)	ナット	3
27	190029	Connecting Rod(M5-0.8 × 40)	連結棒	1
28	3100538	Connecting Block(Left)	連結ブロック(左)	1
29	1066138	Switch, Complete Set	スイッチ(組)	1
30	0063607	Switch Support	スイッチ取付板	1
31	110062	Screw(M3.5-0.6 × 8)	止ネジ	2
32	1066127	Switch	スイッチ	1
33	0011720	Connector Cover	コネクタカバー	1
34	0010923	Connector	コネクタ	1
35	0063609	Switch Cover	スイッチカバー	1
36	009984	Screw(M2.3-0.4 × 10)	止ネジ	2

3

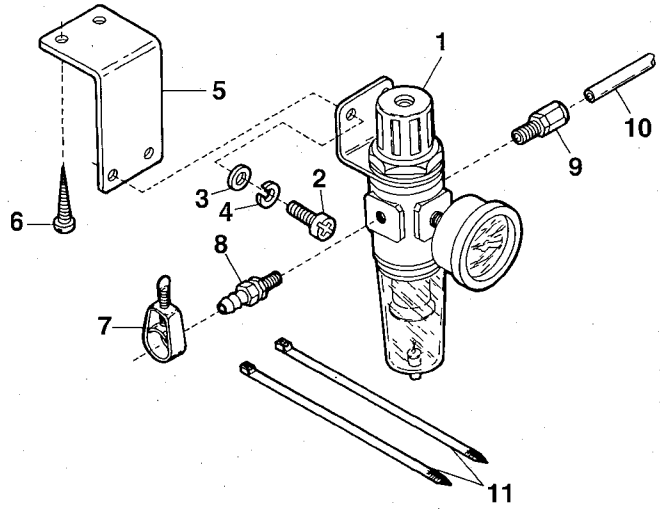
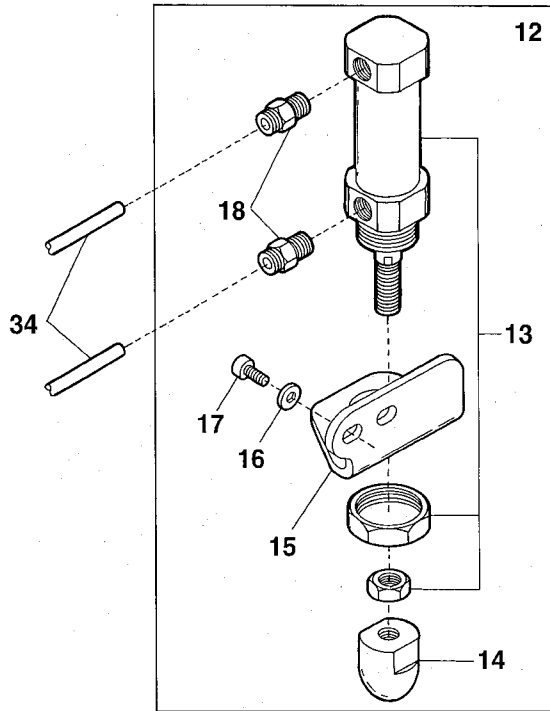
UT-A □ □ DEVICE(3)



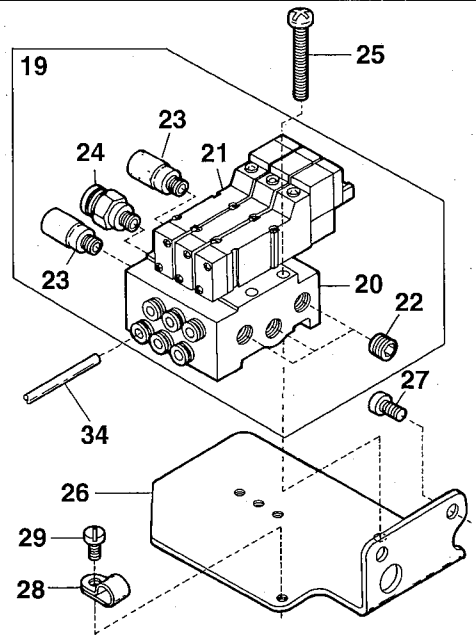
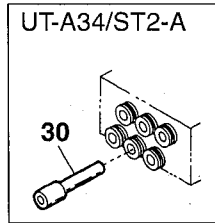
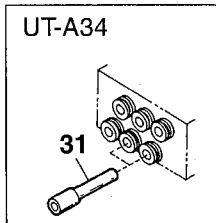
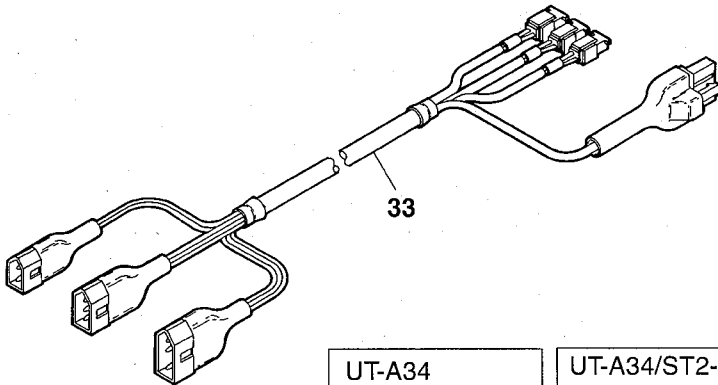
Ref.No	Parts No.	Description	品 名	Amt. Req
1	3151006	Looper Thread Pull-off Eyelet	ルーバ糸緩メ糸道	1
2	3151001	Upper Knife Carrier Support Spring	上メス台支エバネ	1
3	110030	Screw(M3-0.5 × 2.6)	止ネジ	3
4	3151000	Lower Knife Carrier Guide	下メス台ガイド	1
5	110026	Screw(M3-0.6 × 6)	止ネジ	2
6	3151015	Trimming Mechanism, C. Set	UT機構(組)	1
7	3100506	Lower Knife Driving Lever	下メス駆動レバー	1
8	170005	Screw(M4-0.7 × 6)	止ネジ	2
9	3151004	Lower Knife Carrier	下メス台	1
10	3151020	Looper Thread Pull-off	ルーバ糸緩メ片	1
11	3100513	Lower Knife	下メス	1
12	3100560	Supplementary Spring	上メス台補助バネ	1
13	3500503	Upper Knife Carrier	上メス台	1
14	190006	Screw(M4-0.7 × 4)	止ネジ	2
15	3100512	Upper Knife	上メス	1
16	110024	Screw(M2-0.4 × 6)	止ネジ	2
17	110025	Screw(M2-0.4 × 10)	止ネジ	1
18	110023	Screw(M2-0.4 × 3.5)	止ネジ	1
19	3100507	Upper Knife Guide	上メスガイド	1
20	3100508	Clamp Spring	糸挟ミバネ	1
21	3100509	Clamp Spring Pressure	糸挟ミバネ押し	1
22	3100510	Clamp Spring Pressure Holder	糸挟ミバネ押し取付板	1
23	130005	Screw(M2-0.4 × 4)	止ネジ	2
24	3100511	Clamp Spring Pressure Adjusting Piece	糸挟ミバネ押し調節片	1
25	100006	Nut	ナット	2
26	3100503	Knife Guide Lever	メスガイドレバー	2
27	3100504	Knife Guide Lever Ring(Left)	メスガイドレバーリング(左)	1
28	130003	Screw(M4-0.7 × 7.3)	止ネジ	2
29	3100505	Knife Guide Lever Ring(Right)	メスガイドレバーリング(右)	1
30	3100515	Upper Knife Carrier Spring	上メス台バネ	1
31	170006	Screw(M4-0.7 × 2.5)	止ネジ	1
32	3100579	Crank Chamber Cover	ナカカバー	1
33	3500510	Upper Knife Carrier Stop	上メス台ストッパ	1
34	130021	Screw(M4-0.7 × 6)[M4-0.7 × 5]	止ネジ	1
35	130004	Screw(M4-0.7 × 14)[M4-0.7 × 12]	止ネジ	1
36	000002	Spring Washer	スプリングワッシャ	1
37	110091	Screw(M3-0.5 × 2.6)	止ネジ	1

4

UT-A □ □ DEVICE(4) VES2700-8

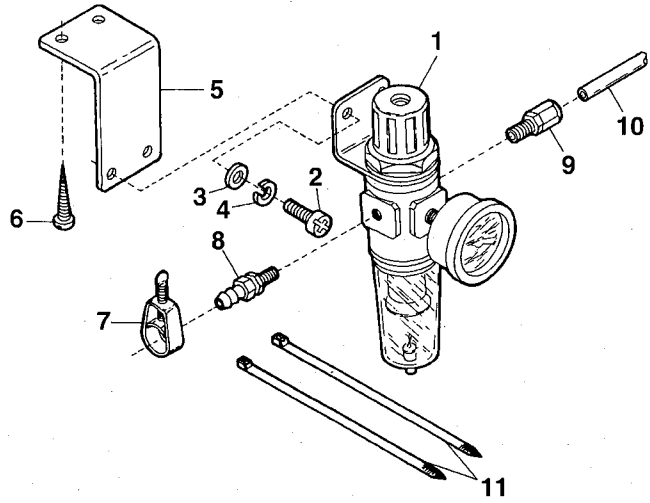
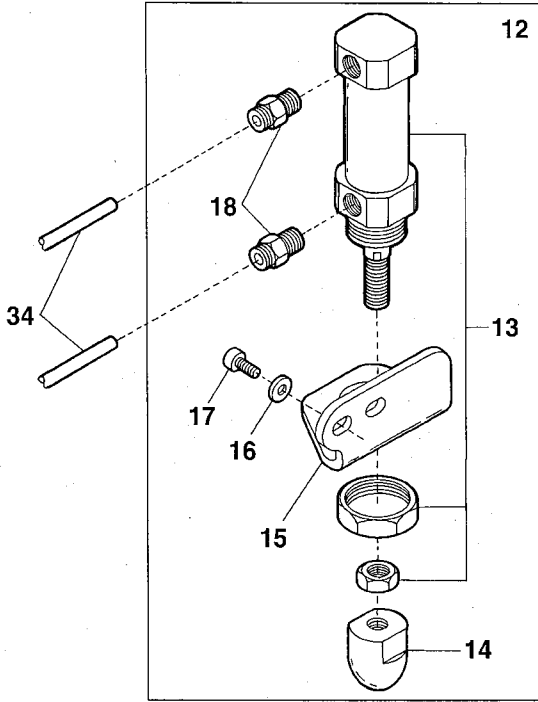


UT-A34, UT-A34/ST2-A

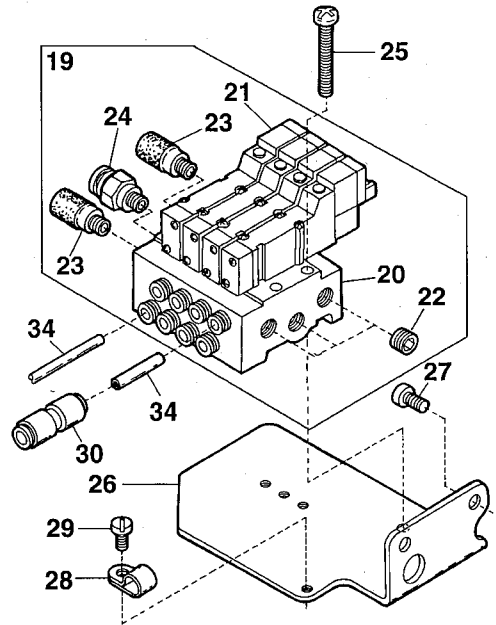
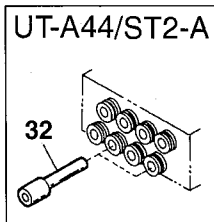
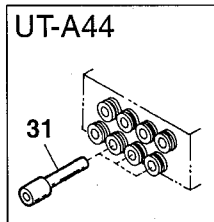
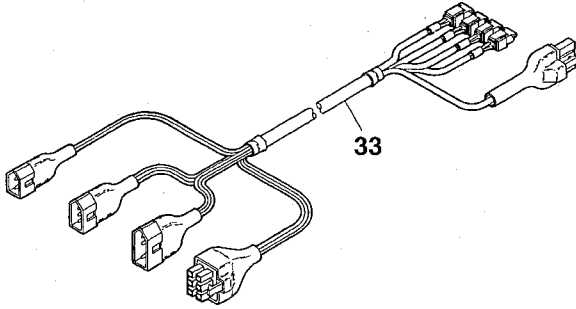


Ref.No	Parts No.	Description	品名	Amt. Req
1	1097009	Regulator	レギュレータ	1
2	110017	Screw(M5-0.8 × 8)	止ネジ	2
3	000426	Washer	ワッシャ	2
4	000600	Spring Washer	スプリングワッシャ	2
5	1253240	Regulator Support	レギュレータ取付板	1
6	006905	Wood Screw(φ 5.1 × 20)	木ネジ	2
7	0033939	Hose Band	ホースバンド	1
8	0010108	Hose Union	ホースユニオン	1
9	0010264	Connector(φ 6-PT1/4)	コネクタ	1
10	1096030	Air Tube(6 × 4mm)(Black)	エアチューブ(黒)	-
11	0011795	Wrapping Band(2.3 × 92)	束線バンド	2
12	3500550	Presser Foot Lifter Cylinder, C. Set	押エ揚ゲシリンダ(組)	1
13	1091146	Air Cylinder	押エ揚ゲシリンダ	1
14	3201037	Cylinder Rod Chip	シリンダロッドチップ	1
15	3500505	Cylinder Bracket	シリンダ台	1
16	000425	Washer	ワッシャ	4
17	120013	Screw(M6-1 × 15)	止ネジ	2
18	0010055	Connector(φ 4-PT1/8)	コネクタ	2
19	1090248	Solenoid Valve, C. Set	電磁弁(組)	1
20	1090185	Manifold	マニフォルド	1
21	1090242	Solenoid Valve	電磁弁	3
22	0010119	Blank Plug	メクラプラグ	3
23	1097007	Silencer	サイレンサ	2
24	1094056	Connector(φ 6-PT1/8)	コネクタ	1
25	110089	Screw(M4-0.7 × 35)	止ネジ	2
26	3101242	Solenoid Valve Holder	電磁弁台	1
27	005049	Screw(M5-0.8 × 8)	止ネジ	2
28	0023381	Cord Clamp(6N- φ 10)	コードクランプ	1
29	110013	Screw(M4-0.7 × 8)	止ネジ	1
30	1094055	Plug	プラグ	1
31	1094055	Plug	プラグ	2
32				
33	1200452	Intermediate Cable(UT-A34,UT-A34/ST2-A) 中継ケーブル		1
34	1096029	Air Tube(4 × 2.5mm)(Black)	エアチューブ(黒)	-

UT-A44 DEVICE(4) VEU3712-8

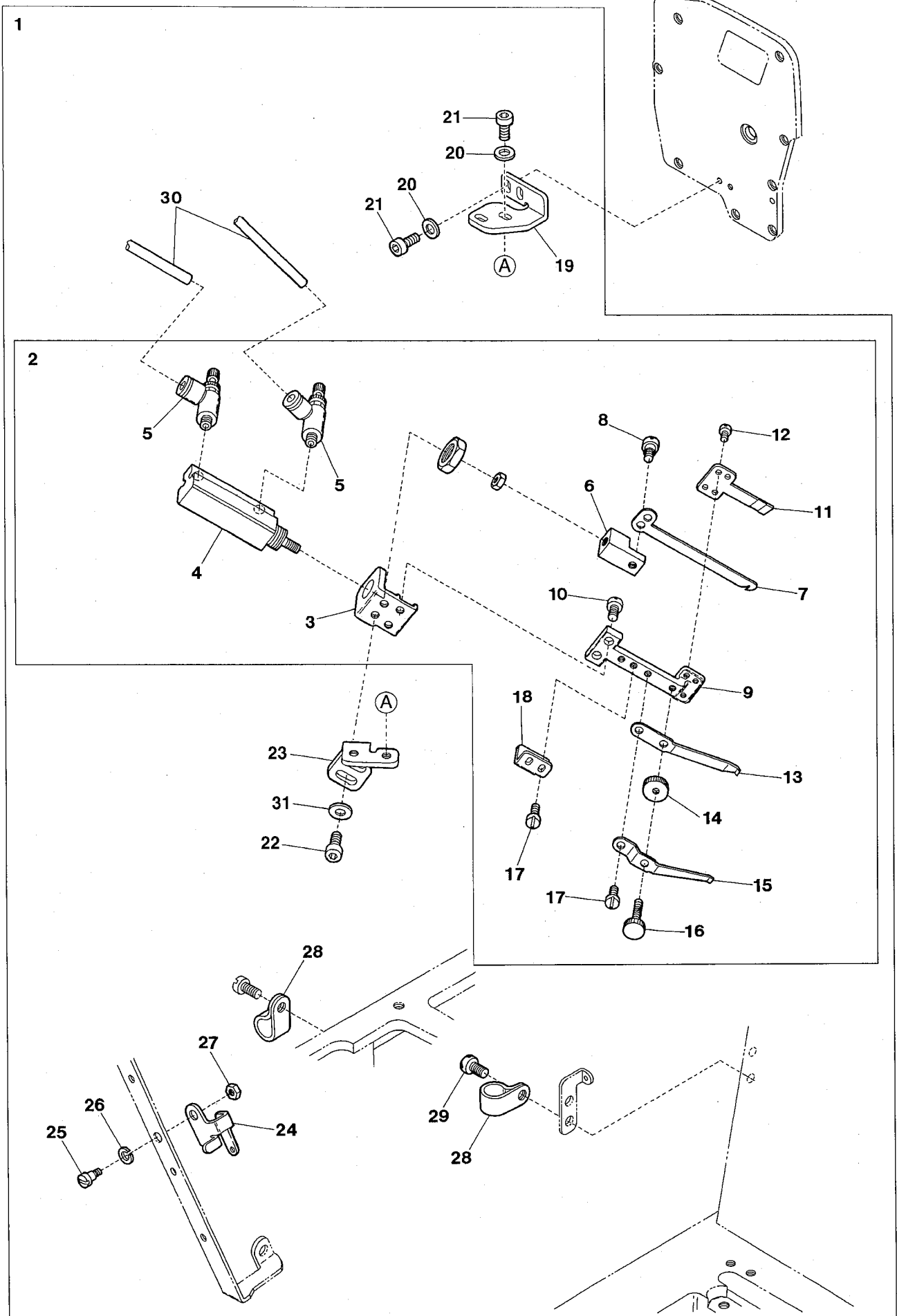


UT-A44, UT-A44/ST2-A



Ref.No	Parts No.	Description	品 名	Amt. Req
1	1097009	Regulator	レギュレータ	1
2	110017	Screw(M5-0.8 × 8)[M5-0.8 × 16]	止ネジ	2
3	000426	Washer	ワッシャ	2
4	000600	Spring Washer	スプリングワッシャ	2
5	1253240	Regulator Support	レギュレータ取付板	1
6	006905	Wood Screw(φ 5.1 × 20)	木ネジ	2
7	0033939	Hose Band	ホースバンド	1
8	0010108	Hose Union	ホースユニオン	1
9	0010264	Connector(φ 6-PT1/4)	コネクタ	1
10	1096030	Air Tube(6 × 4mm)(Black)	エアチューブ(黒)	-
11	0011795	Wrapping Band(2.3 × 92)	束線バンド	2
12	3500550	Presser Foot Lifter Cylinder, C. Set	押エ揚ゲシリンダ(組)	1
13	1091146	Air Cylinder	押エ揚ゲシリンダ	1
14	3201037	Cylinder Rod Chip	シリンダロッドチップ	1
15	3500505	Cylinder Bracket	シリンダ台	1
16	000425	Washer	ワッシャ	4
17	120013	Screw(M6-1 × 15)	止ネジ	2
18	0010055	Connector(φ 4-PT1/8)	コネクタ	2
19	1090249	Solenoid Valve, C. Set	電磁弁(組)	1
20	1090187	Manifold	マニフォルド	1
21	1090242	Solenoid Valve	電磁弁	4
22	0010119	Blank Plug	メクラプラグ	3
23	1097007	Silencer	サイレンサ	2
24	1094056	Connector(φ 6-PT1/8)	コネクタ	1
25	110089	Screw(M4-0.7 × 35)	止ネジ	2
26	3101242	Solenoid Valve Holder	電磁弁台	1
27	005049	Screw(M5-0.8 × 8)	止ネジ	2
28	0023381	Cord Clamp(6N- φ 10)	コードクランプ	1
29	110013	Screw(M4-0.7 × 8)	止ネジ	1
30	1094061	Reducer	レデューサ	1
31	1094055	Plug	プラグ	3
32	1094055	Plug	プラグ	2
33	1200454	Intermediate Cable	中継ケーブル	1
34	1096029	Air Tube(4 × 2.5mm)(Black)	エアチューブ(黒)	-

ST2-A DEVICE



Ref.No	Parts No.	Description	品名	Amt. Req
1	3519903	ST2-A Device, C. Set	ST2-A装置(組)	1
2	3101800	Trimming Device, Complete Set	メス装置(組)	1
3	3101805	Bracket	ブラケット	1
4	1091145	Air Cylinder	エアシリンダ	1
5	1095001	Speed Controller	スピードコントローラ	2
6	3101809	Movable Trimming Knife Holder	動メス台	1
7	3101801	Movable Trimming Knife	動メス	1
8	270019	Screw(1/8-44 × 3)	止ネジ	1
9	3101806	Knife Guide	メスガイド	1
10	110001	Screw(M4-0.7 × 5.4)	止ネジ	2
11	3101802	Fixed Trimming Knife	固定メス	1
12	110023	Screw(M2-0.4 × 3.5)	止ネジ	4
13	3101810	Thread Clamp	糸挟ミ	1
14	100058	Nut	ナット	1
15	3101808	Thread Clamp Spring	糸挟ミバネ	1
16	009791	Adjusting Screw(M3-0.5 × 6)	調節ネジ	1
17	110054	Screw(M3-0.5 × 3.5)	止ネジ	3
18	3101804	Holder Support	動メス台支エ	1
19	3510101	Positioning Plate(Upper)	位置決め板(上)	1
20	000665	Washer	ワッシャ	4
21	120052	Screw(M4-0.7 × 10)	止ネジ	4
22	006202	Screw(M4-0.7 × 6)	止ネジ	2
23	3161011	Positioning Plate(Lower)	位置決め板(下)	1
24	3100711	Top Cover Thread Eyelet	飾り糸道	1
25	006035	Screw(9/64-40 × 7)	止ネジ	1
26	000644	Spring Washer	スプリングワッシャ	1
27	000322	Nut	ナット	1
28	0036133	Cord Clamp(5N- Φ 8.4)	コードクランプ	2
29	110013	Screw(M4-0.7 × 8)	止ネジ	1
30	1096029	Air Tube(4 × 2.5mm)(Black)	エアチューブ(黒)	-
31	001123	Washer	ワッシャ	2

Yamato

ヤマトマシン製造株式会社

YAMATO SEWING MACHINE MFG. CO., LTD.