

SINGER
136W100,W101

Form 2262w-Revised

(1149)

Printed in U. S. A.

LIST OF PARTS



MACHINES
Nos. 136w100 and 136w101

** A TRADE MARK OF

THE SINGER MANUFACTURING COMPANY

INSTRUCTIONS FOR OILING

To ensure easy running and prevent unnecessary wear of the parts which are in movable contact, the machine requires oiling and when in continuous use, "TYPE B" or "TYPE D" OIL, sold only by Singer Sewing Machine Company, should be applied at least twice each day to all oil holes marked "OIL", as instructed in Form 2236w.

"TYPE D" OIL is stainless.

INDEX

	PAGE
ACCESSORIES	16
BOBBIN WINDER	16
FEED GEARS	18
FEED WHEELS	19
KNEE LIFTER	17
MACHINE NO. 136w100	5
MACHINE NO. 136w101	15
NUMERICAL LIST OF PARTS	21
WOOD BASE	19

Copyright, U. S. A., 1933, 1939, 1940
1941, 1947 and 1949

by The Singer Manufacturing Co.

All Rights Reserved for all Countries

INSTRUCTIONS FOR ORDERING

In ordering from this list, use ONLY the PART number in the FIRST column.

The number stamped on a Sewing Machine Part is the number of the Single Part only, except when the part includes Set Screws, Clamping Screws, Studs and Rollers Spun on, Small Wires riveted, or Parts soldered together, etc., which it is necessary to furnish in combination.

Every combination of parts sent out has its specific number which, although not stamped on Parts (except in above case), must be used when ordering the combination.

Each number always indicates the SAME PART in whatever list it appears, or for whatever Machine.

The letters after some of the numbers indicate the style of finish only, as follows:

- A. Hardened, Polished, Nickel Plated and Buffed.
- B. Polished, Nickel Plated and Buffed.
- C. Hardened only.
- D. Polished only.
- E. Soft, not polished.
- F. Hardened and Polished.
- H. Blued.
- J. Nickel Plated only.
- R. Merlized.
- X. Black Oxide, for Iron and Steel.
- XC. Hardened and Black Oxide, for Iron or Steel.
- Y. Black Nickel Plated only.

These letters MUST BE USED when they appear in the list and AFTER the number, as in the list.

In this series

1 to 1500, 200001 to 201500 and 350001 to 351500 are Screw Numbers.
 1501 to 1800, 201501 to 201800 and 351501 to 351800 are Nut Numbers.
 1801 to 2000, 201801 to 202000 and 351801 to 352000 are Roller Numbers.
 2001 to 50000 and 202001 to 350000 are Numbers of Machine Parts.

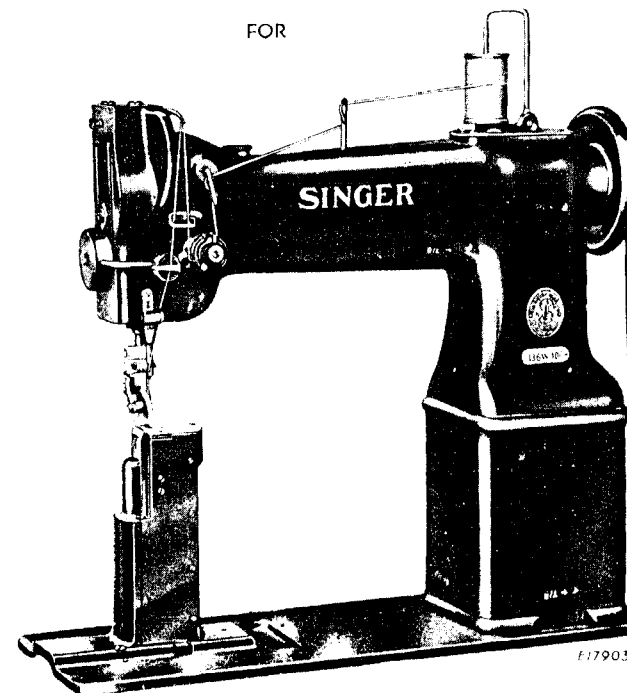
The figures in the second column refer only to the plate in which the illustration of the part is shown and are NOT TO BE USED in ordering.

Two or more numbers over a cut indicate that the difference between such parts is not visible in an illustration.

Parts marked with an asterisk (*) are furnished only when repairs are made at the factory.

LIST OF PARTS COMPLETE

FOR



MACHINE No. 136w100

VERTICAL HOOK. POST BED.

CONTINUOUS WHEEL FEED

BALL BEARING ROLLER PRESSER

MAXIMUM STITCH 12 TO THE INCH

FOR LEATHER WORK

No.	Plate	Name
*249069	-----	Arm with 202135
249001	-----	" Base
204235	15748	" " Position Pin (2)
200004E	15748	" " Screw (3)
202005	15748	" " Washer (3)
203091	15738	" Cap
200278H	15738	" " Screw
202248	15738	" " " Washer
203089	15738	" " Spool Holder Base

No.	Plate	Name
203090	15738	Arm Cap Spool Holder Base 203089 with 200079H and 204296
200585H	15738	Arm Cap Spool Holder Base Screw
204296	15738	" " " " Wire
200079H	15738	" " " " " Hinge Screw
203092	15738	Arm Cap and Spool Holder complete, Nos. 203090, 203091 and two 200585H
204235	15748	Arm Position Pin (2)
200004E	15748	" Screw (3)
202005	15748	" " Washer (3)
237702	15738	" Shaft with 224392 and 350431E
237748	15738	" " Bushing (back) with 202240
202260	15738	" " " " Oil Packing (wick)
200071E	15738	Arm Shaft Bushing (back) Screw (3)
207080	15738	" " " (front) with 202244
202244	15738	" " " " Oil Packing (wick)
200502H	15738	Arm Shaft Bushing (front) Oil Packing Thumb Screw
200338C	15738	Arm Shaft Bushing (front) Set Screw
224392	15738	" " Oil Packing (wick)
350431E	15738	" " " " Stop Screw
202632	15745	" Side Plate
200462H	15745	" " " Thumb Screw
237793	15738	Balance Wheel (aluminum alloy casting) for "V" belt (outside diam. of belt groove 2.9 in.) with 201346C and 350107C
350419H	15738	Balance Wheel Adjusting Screw
350107C	15738	" " Position Screw
201346C	15738	" " Set Screw
*249002	-----	Bed
202258	15748	" Hinge Connection (2)
200570E	15748	" " " Screw (4)
203208	15743	Bobbin
238304	15743	" Case Base with 202056, 203211 to 203213 and 203216
203211	15743	Bobbin Case Base Latch
*202056	-----	" " " " Pin
203212	15743	" " " " Plunger
203213	15743	" " " " Spring
238312	15743	" " Cap with 200984C, 203214, 203215, 241674, 241675, two each 200594C and 350405C
234079	15758	Bobbin Case Lever
234065	15758	" " " Driving Block
200076D	15758	" " " " " Screw
201272C	15758	Bobbin Case Lever Hinge Screw
241674	15743	" " Oiling Felt
241675	15743	" " " " Retainer
350405C	15743	" " " " " Screw
203214	15743	" " Tension Spring

No.	Plate	Name
200984C	15743	Bobbin Case Tension Spring Regulating Screw
200594C	15743	Bobbin Case Tension Spring Screw
203215	15743	" " Thread Guide
200594C	15743	" " " " Screw
203216	15743	" " Washer (cloth)
238313	15743	Bobbin Case complete, Nos. 238304 and 238312
237777	15745	Face Plate with 201650H and 350432XC
202135	15745	" " Position Pin
200473B	15745	" " Thumb Screw
249088	15759	Feed Post with 200362C, 200383C and two 201052C
249098	15759	Feed Post 249088 with 249007, 249013, 249014, 249019, 249077, 249078, 249092, 249099 and four 200137H
249005	15758	Feed Post Cover (back)
249006	15758	" " " (front)
200159F	15758	" " " (back or front) Clamp Screw (2)
200583H	15758	Feed Post Cover (back or front) Screw (8)
249007	15759	Feed Post Cover (side)
200137H	15759	" " " " Screw
200036E	15759	" " Screw (2)
249008	15759	" Wheel
249060	15759	" " 249008 with 249062 and three 229D
249092	15759	Feed Wheel Adjusting Stud (eccentric)
201052C	15759	" " " " Set Screw
249061	15759	" " Ball Bearing
249097	15759	" " Bearing
200585H	15759	" " " Screw
249062	15759	" " Bevel Gear
249012	15759	" " " " Driving Pinion with two 201052C
350395C	15759	Feed Wheel Bevel Gear Driving Pinion Screw Stud
201052C	15759	Feed Wheel Bevel Gear Driving Pinion Set Screw
249078	15759	Feed Wheel Bevel Gear Driving Pinion Shaft Connection
249013	15759	Feed Wheel Bevel Gear Driving Pinion Shaft (lower)
249014	15759	Feed Wheel Bevel Gear Driving Pinion Shaft (lower) Bushing
200383C	15759	Feed Wheel Bevel Gear Driving Pinion Shaft (lower) Bushing Set Screw
249077	15759	Feed Wheel Bevel Gear Driving Pinion Shaft (lower) Collar with two 200393C
200393C	15759	Feed Wheel Bevel Gear Driving Pinion Shaft (lower) Collar Set Screw
248810	15759	Feed Wheel Bevel Gear Driving Pinion Shaft (upper)

No.	Plate	Name
249077	15759	Feed Wheel Bevel Gear Driving Pinion Shaft (upper) Collar with two 200393C
200393C	15759	Feed Wheel Bevel Gear Driving Pinion Shaft (upper) Collar Set Screw
249073	15759	Feed Wheel Bevel Gear Driving Pinion Thrust Washer
229D	15759	Feed Wheel Bevel Gear Screw
249096	15759	" " " " Spacing Washer
249079	15759	" " Bracket
249099	-----	" " " 249079 with 248810, 249012, 249060, 249061, 249073, 249077, 249096, 249097, 350395C, 350514AL and three 200565H
249019	15759	Feed Wheel Bracket Friction Plug
201052C	15759	" " " " " Set Screw
200362C	15759	Feed Wheel Bracket Set Screw
350514AL	15759	" " Cap Screw
249027	15739	" " Driving Gear (for 19 stitches)
238641	15739	Feed Wheel Driving Gear (for 21 stitches)
249029	15739	Feed Wheel Driving Gear (for 23 stitches)
238613	15739	Feed Wheel Driving Gear Key
238614	15739	" " " " " Shifting Collar with 201464C
201464C	15739	Feed Wheel Driving Gear Key Shifting Screw Stud
238615	15739	Feed Wheel Driving Gear Key Spring
201202D	15739	" " " " " " Screw
238616	15739	Feed Wheel Driving Gear Key Stop Pin
249075	15739	" " " " Separating Washer (2)
249030	15739	Feed Wheel Driving Gear Shaft with 238616
249032	15739	Feed Wheel Driving Gear Shaft Bracket with 202299, 238630 and two 200346C
202299	15739	Feed Wheel Driving Gear Shaft Bracket Oil Packing (wick)
249033	15739	Feed Wheel Driving Gear Shaft Bracket Plate with two 210983
210983	15739	Feed Wheel Driving Gear Shaft Bracket Plate Position Pin
200158H	15739	Feed Wheel Driving Gear Shaft Bracket Plate Screw (2)
201082E	15739	Feed Wheel Driving Gear Shaft Bracket Screw (long)
225532	15739	Feed Wheel Driving Gear Shaft Bracket Screw (long) Washer
201308E	15739	Feed Wheel Driving Gear Shaft Bracket Screw (short)
203637	15739	Feed Wheel Driving Gear Shaft Bracket Screw (short) Washer

No.	Plate	Name
238630	15739	Feed Wheel Driving Gear Shaft Bushing
249031	15739	" " " " " Collar with 200397H
200397H	15739	Feed Wheel Driving Gear Shaft Collar Set Screw
249041	15753	Feed Wheel Driving Pinion (for 19 stitches)
238655	15753	Feed Wheel Driving Pinion (for 21 stitches)
249043	15753	Feed Wheel Driving Pinion (for 23 stitches)
231433	15753	Feed Wheel Driving Pinion Key
238632	15753	" " " " Spacing Washer (for use in place of Feed Wheel Driving Pinion when one or two lengths of stitch are required)
249044	15753	Feed Wheel Driving Shaft
249045	15753	" " " " Bushing (back)
200362C	15759	" " " " " Set Screw
249046	15753	Feed Wheel Driving Shaft Bushing (front)
200346C	15739	Feed Wheel Driving Shaft Bushing (front) Set Screw
249047	15753	Feed Wheel Driving Shaft Collar with two 201052C
201052C	15753	Feed Wheel Driving Shaft Collar Set Screw
237724	15753	Feed Wheel Driving Shaft Gear with 200378C and 201220C
201220C	15753	Feed Wheel Driving Shaft Gear Position Screw
200378C	15753	Feed Wheel Driving Shaft Gear Set Screw
201666E	15753	Feed Wheel Driving Shaft Nut
203411	15753	" " " " Washer
*221214	-----	Hook (sewing)
241602	15743	" 221214 with 201253C, 201376C, and 241604
249095	15743	Hook and Bobbin Case complete, Nos. 238313 and 241602
249049	15758	Hook Bevel Gear Socket, 14 teeth
234024	15758	" " " " Friction Washer
200555H	15743	" " " " Screw
241551	15753	" " Pinion, 28 teeth, with two 200378C
201318E	15753	Hook Bevel Pinion Guard Oil Stop Screw
201082E	15753	Hook Bevel Pinion Guard Screw
*249050	-----	" " " " Section (back)
*249051	-----	Hook Bevel Pinion Guard Section (front)
200378C	15753	Hook Bevel Pinion Set Screw

No.	Plate	Name
249052	15753	Hook Bevel Pinion Guard complete, Nos. 201082E, 201318E, 249050 and 249051
237728	15753	Hook Driving Shaft
235857	15753	" " " Bevel Gear with 200374C and 200396C
237729	15739	Hook Driving Shaft Bevel Gear Housing with 200346C and three 200362C
237730	15739	Hook Driving Shaft Bevel Gear Housing Cap (bottom)
237731	15739	Hook Driving Shaft Bevel Gear Housing Cap (bottom) Gasket
237732	15739	Hook Driving Shaft Bevel Gear Housing Cap (side)
237733	15739	Hook Driving Shaft Bevel Gear Housing Cap (side) Gasket
200053C	15739	Hook Driving Shaft Bevel Gear Housing Cap Screw (4)
201082E	15739	Hook Driving Shaft Bevel Gear Housing Screw (long)
225532	15739	Hook Driving Shaft Bevel Gear Housing Screw (long) Washer
201308E	15739	Hook Driving Shaft Bevel Gear Housing Screw (short)
203637	15739	Hook Driving Shaft Bevel Gear Housing Screw (short) Washer
200396C	15753	Hook Driving Shaft Bevel Gear Position Screw
200374C	15753	Hook Driving Shaft Bevel Gear Set Screw
237734	15753	Hook Driving Shaft Bushing (back)
200362C	15739	" " " " " Set Screw
249053	15753	Hook Driving Shaft Bushing (front)
200338C	15753	" " " " " Set Screw
221743	15753	Hook Driving Shaft Collar with two 200380C
200380C	15753	Hook Driving Shaft Collar Set Screw
241604	15743	" " " " " G1b
201376C	15743	" " " " " Hinge Screw
201253C	15743	" " " " " Screw
249054	15758	" " " " " Post
249055	-----	" " " " " 249054 with 200555H, 201272C, 221222, 234024, 234065, 234079, 249049, 249072, 249095, two each 200076D and 200959D
249072	15758	Hook Post Oil Packing (wick)
200959D	15758	" " " " " " Screw
200017C	15758	" " " " " Screw (2)
203637	15758	" " " " " Washer (2)
221215	15758	" " " " " Slide
221222	15743	" " " " " Washer
237837	15748	Knee Lifter Connection Lever
200262H	15748	" " " " " Hinge Screw

No.	Plate	Name
234019	15748	Knee Lifter Connection Lever Lifting Rod with 202302
202302	15748	Knee Lifter Connection Lever Lifting Rod Cotter Pin
237838	15748	Knee Lifter Lifting Lever
200262H	15748	" " " " " Hinge Screw
237937	15747	Needle Bar with 200141F
238251	15747	" " " " " Connecting Link
264718	15747	" " " " " Oil Guard
200161D	15747	" " " " " " " Screw
202333	15747	Needle Bar Connecting Link Stud with 202254
202254	15747	Needle Bar Connecting Link Stud Oil Packing (wick)
200374C	15747	Needle Bar Connecting Link Stud Set Screw
200383C	15747	Needle Bar Connecting Link Stud Set Screw
*206891	-----	Needle Bar Connecting Stud
202329	15747	" " " " " " 206891 with 200086C and 202330
202330	15747	Needle Bar Connecting Stud Oil Packing (wick)
200086C	15747	Needle Bar Connecting Stud Pinch Screw
202692	15747	" " " " " Crank with 200335C, 200374C, 200383C, 200428C and 202333
237737	15747	Needle Bar Crank 202692 with 202329, 202399, 202400, 237762 and 238251
203172	15747	Needle Bar Crank Friction Washer
200428C	15747	" " " " " Position Screw
200335C	15747	" " " " " Set Screw
202664	15747	" " " " " Rock Frame
237738	15747	" " " " " 202664 with 237937
*38127	15738	Needle Bar Rock Frame Driving Eccentric
*237749	15738	Needle Bar Rock Frame Driving Eccentric Body
350107C	15738	Needle Bar Rock Frame Driving Eccentric Body Position Screw
443C	15738	Needle Bar Rock Frame Driving Eccentric Body Set Screw
1103C	15738	Needle Bar Rock Frame Driving Eccentric Regulating Screw
217D	15738	Needle Bar Rock Frame Driving Eccentric Set Screw
7071	15738	Needle Bar Rock Frame Driving Eccentric Set Screw Washer
237750	15738	Needle Bar Rock Frame Driving Eccentric complete, Nos. 217D, 443C, 1103C, 7071, 38127, 237749 and 350107C
237739	15748	Needle Bar Rock Frame Driving Fork Lever with 200029E
200029E	15748	Needle Bar Rock Frame Driving Fork Lever Pinch Screw

PARTS FOR MACHINE No. 136w100

No.	Plate	Name
237740	15748	Needle Bar Rock Frame Driving Fork Lever Slide Block (two pieces)
210910	15747	Needle Bar Rock Frame Hinge Stud with 202277
202277	15747	Needle Bar Rock Frame Hinge Stud Oil Packing (wick)
200347C	15747	Needle Bar Rock Frame Hinge Stud Set Screw
202666	15747	Needle Bar Rock Frame Position Bracket
200098F	15747	" " " " " " Screw
202667	15748	Needle Bar Rock Frame Rock Shaft
210978	15748	" " " " " " 202667 with 200387C and 210920
202668	15748	Needle Bar Rock Frame Slide Block
210920	15748	" " " " " " 202668 with 201141C
201141C	15748	Needle Bar Rock Frame Slide Block Screw Stud
200387C	15748	Needle Bar Rock Frame Slide Block Screw Stud Set Screw
200141F	15747	Needle Set Screw
207072	15746	Presser Bar Bushing (2)
200352C	15746	" " " Set Screw (2)
202671	15746	" " Lifter
200653C	15746	" " Hinge Screw
207963	15746	" " Lifting Releasing Lever Bracket
200975F	15746	Presser Bar Lifting Releasing Lever Bracket Guide Screw
206608	15746	Presser Bar Lifting Releasing Lever Bracket Spring
202337	15746	Presser Bar Position Guide
202338	15746	" " " " Lever with 200086F
200086F	15746	Presser Bar Position Guide Lever Pinch Screw
200352C	15746	Presser Bar Position Guide Set Screw
207965	15748	" " Spring (flat)
210949	15746	" " " Bracket with 200086C
200086C	15746	Presser Bar Spring Bracket Pinch Screw
350346C	15748	" " " Regulating Screw
200948F	15748	" " " Support Screw
201997	15746	Roller Presser, 1 in. diam., 5/32 in. face (fine) with 1528J, 201699C, 350104C and twenty-eight 206417
249056	15746	Roller Presser Arm
249057	15746	" " " 249056 with 201997
233807	15746	" " " Bracket
235088	15746	" " " Position Collar with 200362C
200117F	15746	Roller Presser Arm Bracket Position Collar Position Screw
200362C	15746	Roller Presser Arm Bracket Position Collar Set Screw

PARTS FOR MACHINE No. 136w100

No.	Plate	Name
202558	15746	Roller Presser Arm Bracket Spring
202559	15746	" " " " " " Stop
200141F	15746	Roller Presser Arm Bracket Spring Stop Screw
200096D	15746	Roller Presser Arm Screw
249058	15746	Roller Presser and Bar complete, Nos. 200096D, 200117F, 202557 to 202559, 233807, 235088, 249057 and two 200141F
206417	15746	Roller Presser Ball, 1/16 in. diameter
201699C	15746	" " " Cone
202557	15746	" " Bar
350104C	15746	" " Hinge Screw
1528J	15746	" " " " Nut
237762	15747	Take-up Lever
202399	15747	" " Driving Stud with 202277
202277	15747	" " " " Oil Packing (wick)
202400	15747	Take-up Lever Hinge Stud with 202423
202423	15747	" " " " Oil Packing (wick)
200383C	15747	Take-up Lever Hinge Stud Set Screw
202401	15746	" " Oiling Felt
200132E	15746	" " " " Screw
244048	15760	Tension Disc (back)
244049	15760	" " (front)
202404	15746	" Release Plunger
244061	15760	" " Washer
223438	15760	" Spring
263106	15760	" " Washer
200625F	15760	" Stud with 204925
200061C	15760	" " Set Screw
204925	15760	" " Washer
201572H	15760	" Thumb Nut
240358	15760	Tension complete, Nos. 200625F, 201572H, 202410, 223438, 244048, 244049, 244061, and 263106
202410	15760	Thread Controller Spring
241443	15760	" " " " Stop
200132E	15760	" " " " Screw
202412	15738	" Guide
210955	15760	" " (upper)
200582H	15760	" " Screw (2)
241755	15745	" Lubricator Oil Pad (felt)
237779	15745	" " " " Holder
240439	15745	" " " " Retainer
241758	15745	" " " Reservoir
241759	15745	" " " Wick
350432XC	15745	" " " Screw
201650H	15745	" " " Nut
214838	15745	" " " Washer
237780	15745	Thread Lubricator complete, Nos. 214838, 237779, 240439, 241755, 241758 and 241759

No.	Plate	Name
240034	15760	Thread Retainer
210956	15760	" " Bracket with 200397H
200582H	15760	" " " Screw (2)
210993	15760	" " Sleeve
200366H	15760	" " Set Screw
223844	15760	" " Spring
210957	15760	" " Stud
210958	15760	" " " Collar
200397H	15760	" " " Set Screw
210959	15760	Thread Retainer (lower) complete, Nos. 210956 to 210958, 210993 and 223844
249059	15758	Throat Plate, 53 elongated needle hole, for needle sizes 14 and 15
200577AL	15758	Throat Plate Screw (2)
249066	15748	Vertical Shaft
237745	15748	" " Bevel Gear (lower)
205508	15748	" " " " "
		Position Pin
235857	15739	Vertical Shaft Bevel Gear (upper) with 200374C and 200396C
200396C	15748	Vertical Shaft Bevel Gear (upper) Position Screw
200374C	15748	Vertical Shaft Bevel Gear (upper) Set Screw
237734	15748	Vertical Shaft Bushing (lower)
200346C	15739	" " " " " Set Screw
		Screw
237746	15748	Vertical Shaft Bushing (upper)
200362C	15748	" " " " " Set Screw
		Screw
237747	15738	Vertical Shaft Driving Gear with 200374C and 200396C
200396C	15738	Vertical Shaft Driving Gear Position Screw
200374C	15738	Vertical Shaft Driving Gear Set Screw
249067	15748	" " Oil Leader (lower) (brass)
237755	15738	Vertical Shaft Oil Leader (upper) (brass)

SINGER Needles should be used
in SINGER Machines.
These Needles and their Containers
are marked with the
Company's Trade Mark "SIMANCO.***" |

Needles in Containers marked
"FOR SINGER MACHINES"
are NOT **SINGER** made needles. 2

MACHINE No. 136w101

VERTICAL HOOK. POST BED.

CONTINUOUS WHEEL FEED

BALL BEARING ROLLER PRESSER.

NEEDLE IS SET AT AN ANGLE

FOR CLOSE EDGE STITCHING ON FINE SHOES

Same as Machine No. 136w100 with the following exceptions:

No.	Plate	Name
249116	15761	Feed Post 249088 with 249007, 249013, 249014, 249019, 249077, 249078, 249092, 249117 and four 200137H, in place of 249098
249117	-----	Feed Wheel Bracket 249079 with 248810, 249012, 249061, 249073, 249077, 249096, 249097, 249115, 350395C, 350514AL and three 200585H
249103	15761	Feed Wheel in place of 249008
249115	15761	" " 249103 with 249062 and three 229D, in place of 249060
248858	15764	Loop Guard
238636	15762	Needle Bar with 200141F, in place of 237937
238640	15762	Needle Bar Rock Frame 202664 with 238636, in place of 237738
201990	16776	Roller Presser, 13/16 in. diam., 3/64 in. face (fine) with 1528J, 201699C, 350104C and twenty-eight 206417, in place of 201997
203422	16776	Roller Presser Arm, in place of 249056
238637	16776	" " " 203422 with 201990, in place of 249057
238672	16776	Roller Presser and Bar complete, Nos. 200096D, 200117F, 202557 to 202559, 233807, 235088, 238637 and two 200141F, in place of 249058
249105	15764	Throat Plate, 53 elongated needle hole, for needle sizes 14 and 15, in place of 249059

ACCESSORIES

No.	Plate	Name
203208	15743	Bobbin (5)
238632	15753	Feed Wheel Driving Pinion Spacing Washer (2)
4822	15757	Roller Presser Hinge Screw Nut Wrench
228476	15757	Screw Driver (Bobbin Case)
16x4	-----	Needles, six, three each, sizes 12 and 13
228288	15751	Drip Pan with four 3/4 in. wire nails
41400	15757	Machine Rest Pin (wood)
120342	15757	Oiler (copper plated) with 120343
120343	15757	" Spout (3-1/2 in. long)
225498	15757	Screw Driver (7-1/4 in. long)
225554	15757	Wrench (steel)

BOBBIN WINDER

(SWINGING AUTOMATIC, RIGHT HAND)

FOR 5/16 INCH ROUND BELT DRIVE

259428	16615	Brake (leather)
259429	16615	" Clamp
200113F	16615	" " Screw
225453	16615	Frame with 202277 and 259660
225454	16615	" Hinge Pin
202277	16615	" Oil Packing (wick)
259660	16615	" " Well Washer
225455	16615	" Spring
225456	16615	" " Plunger
225368	16615	Pulley with 200380C
200380C	16615	" Set Screw
225381	16615	Spindle
225444	16615	Stop Latch
200056E	16615	" " Screw
225458	16615	" " Thumb Lever
225459	16615	" " " " Hinge Stud
225459	16615	" " " " Joint Stud
202478	16615	" " Trip Lever
200299H	16615	" " " " Hinge Screw
225461	16615	Tension Bracket with 201499H
200082D	16615	" " Screw
228026	16615	" " Washer
2102	16615	" Disc
13710	16615	" Spring
201499H	16615	" Stud
201572H	16615	" " Thumb Nut
225462	16615	Bobbin Winder Tension Bracket complete, Nos.13710,201572H,225461 and two 2102

ACCESSORIES

No.	Plate	Name
259430	16615	Bobbin Winder and Tension Bracket Base
259431	16615	Universal Bobbin Winder complete, Nos. 200056E,200082D,200113F,200299H, 202478,225368,225381,225444,225453 to 225456,225458,225462,228026, 259428 to 259430,two each 225459 and wood screws 3/4 in.,No.12,R.H.B.

KNEE LIFTER

228359	16643	Rock Lever with two 350231C
228486	16643	" " Bracket with 200347C and three wood screws 7/8 in.,No.12
228361	16643	Rock Lever Bracket 228486 with 228359, 228363,228367,228386 and 228455
228362	16643	Rock Lever Extension with 200529C
350231C	16643	" " " " Set Screw
228363	16643	" " Hinge Pin
228364	16643	" " Knee Plate with 350231C
228388	16643	" " " " Arm
350231C	16643	" " " " " Set Screw
350231C	16643	" " " " " Set Screw
228455	16643	" " Position Spring
228365	16643	" " Rod
200529C	16643	" " " Set Screw
228386	16643	" " Spring
228367	16643	" " Stop Stud
200347C	16643	" " " " " Set Screw
228368	16643	Knee Lifter complete, Nos.228361, 228362,228364,228365 and 228388

FOR MACHINE No. 136w101

Same as for Machine No.136w100 with the following exceptions:

16x4	-----	Needles, six, size 9, in place of three each sizes 12 and 13
350395C	15759	Feed Wheel Bevel Gear Driving Pinion Screw Stud

FEED GEARS

No.	Plate	Name
249020	15739	Feed Wheel Driving Gear (for 12 stitches)
249021	15739	Feed Wheel Driving Gear (for 13 stitches)
249022	15739	Feed Wheel Driving Gear (for 14 stitches)
249023	15739	Feed Wheel Driving Gear (for 15 stitches)
249024	15739	Feed Wheel Driving Gear (for 16 stitches)
249025	15739	Feed Wheel Driving Gear (for 17 stitches)
249026	15739	Feed Wheel Driving Gear (for 18 stitches)
249027	15739	Feed Wheel Driving Gear (for 19 stitches)
249028	15739	Feed Wheel Driving Gear (for 20 stitches)
238641	15739	Feed Wheel Driving Gear (for 21 stitches)
249029	15739	Feed Wheel Driving Gear (for 23 stitches)
238642	15739	Feed Wheel Driving Gear (for 24 stitches)
238605	15739	Feed Wheel Driving Gear (for 26 stitches)
238606	15739	Feed Wheel Driving Gear (for 29 stitches)
238607	15739	Feed Wheel Driving Gear (for 32 stitches)
249034	15753	Feed Wheel Driving Pinion (for 12 stitches)
249035	15753	Feed Wheel Driving Pinion (for 13 stitches)
249036	15753	Feed Wheel Driving Pinion (for 14 stitches)
249037	15753	Feed Wheel Driving Pinion (for 15 stitches)
249038	15753	Feed Wheel Driving Pinion (for 16 stitches)
249039	15753	Feed Wheel Driving Pinion (for 17 stitches)
249040	15753	Feed Wheel Driving Pinion (for 18 stitches)
249041	15753	Feed Wheel Driving Pinion (for 19 stitches)
249042	15753	Feed Wheel Driving Pinion (for 20 stitches)

FEED GEARS

No.	Plate	Name
238655	15753	Feed Wheel Driving Pinion (for 21 stitches)
249043	15753	Feed Wheel Driving Pinion (for 23 stitches)
238656	15753	Feed Wheel Driving Pinion (for 24 stitches)
238618	15753	Feed Wheel Driving Pinion (for 26 stitches)
238619	15753	Feed Wheel Driving Pinion (for 29 stitches)
238620	15753	Feed Wheel Driving Pinion (for 32 stitches)

FEED WHEELS

FOR MACHINE No. 136w100

249008	15759	Feed Wheel
249063	15759	" " (fine knurl)
249064	15759	" " (medium knurl)
249065	15759	" " (coarse knurl)

FOR MACHINE No. 136w101

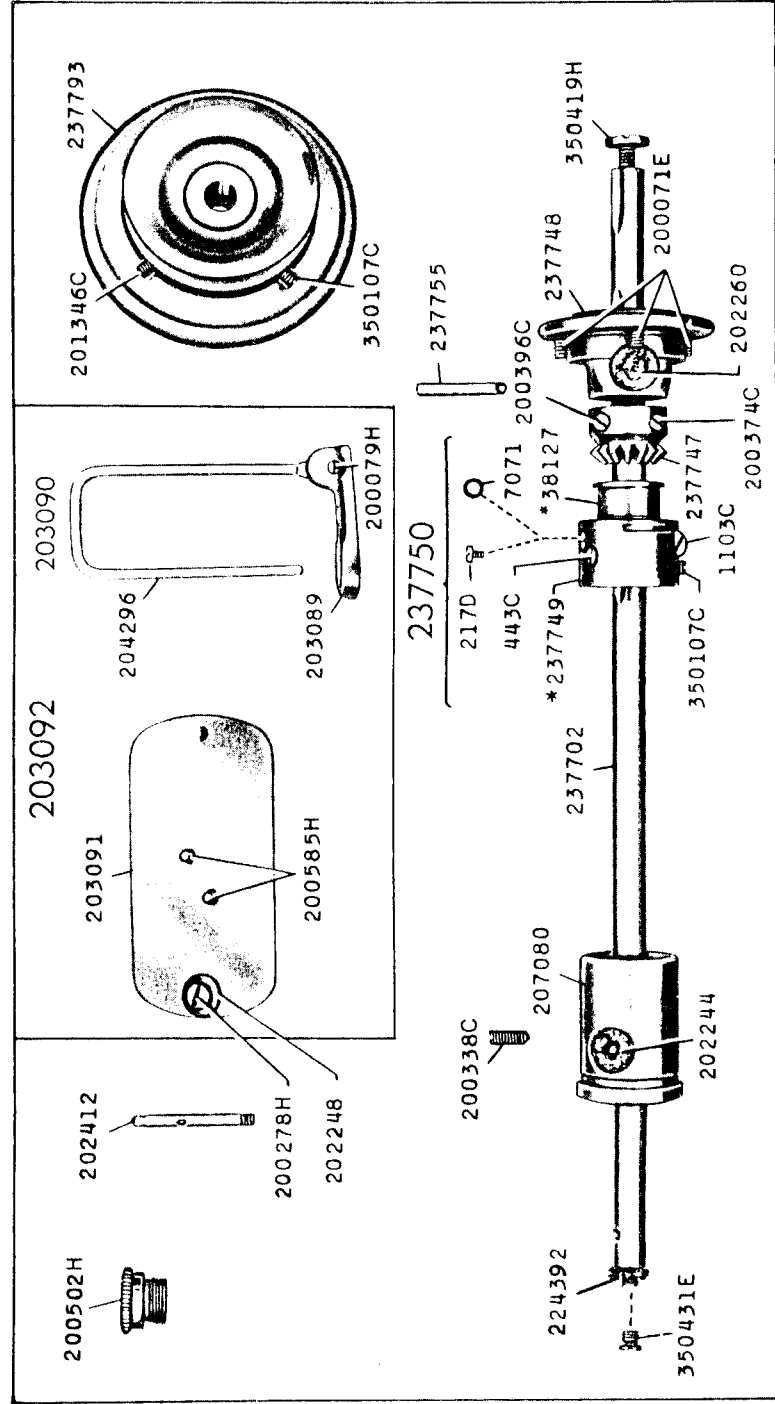
249101	15761	Feed Wheel
249102	15761	" " (fine knurl)
249103	15761	" " (medium knurl)
249104	15761	" " (coarse knurl)

WOOD BASE

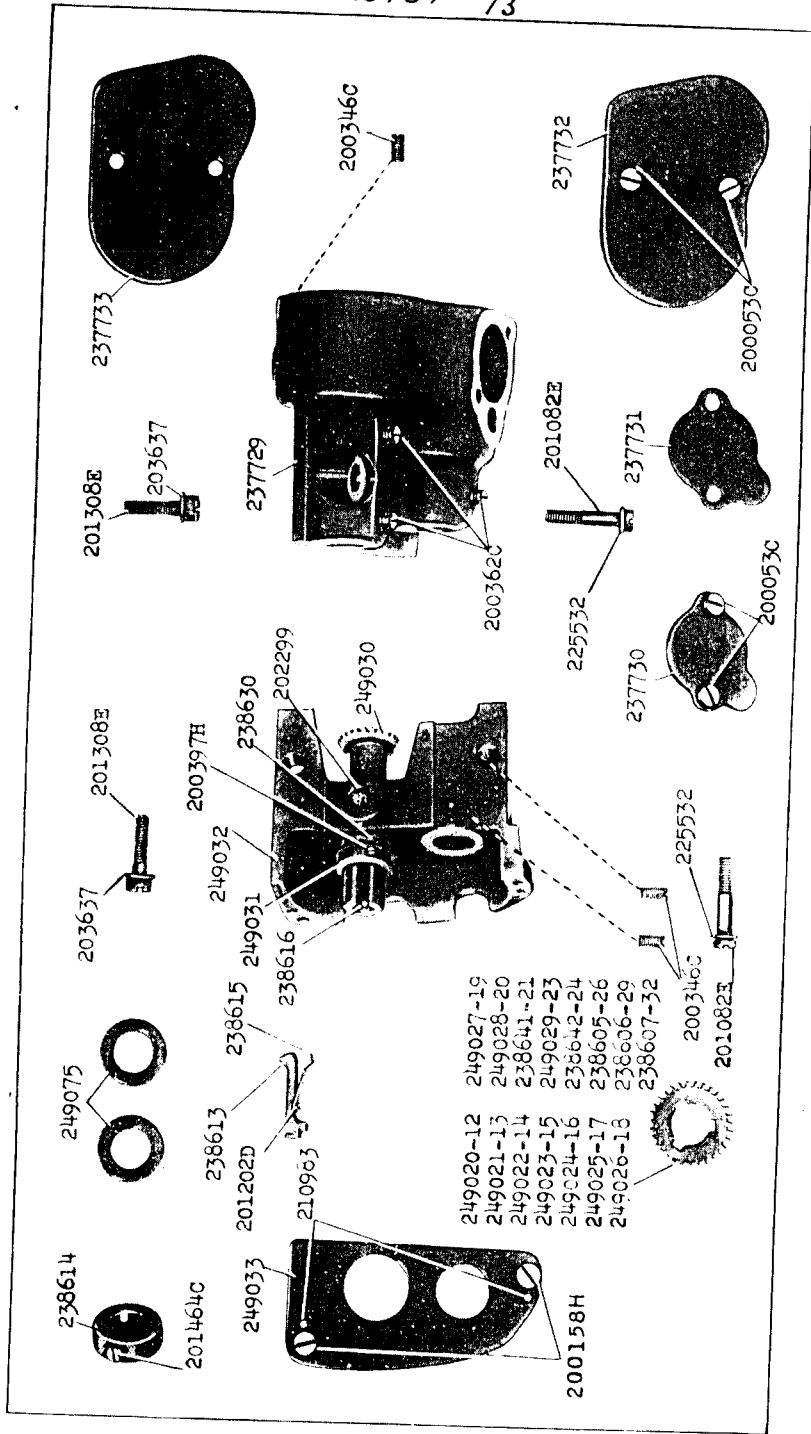
202259	-----	Bed Hinge Plate
227493	15751	" " " 202259 with two wood screws 7/8 in., No.12 H
225589	15751	Machine Cushion (leather)
228357	15751	Wood Base with two 227493, four 225589 and eight wood screws 1-1/2 in., No.7

SINGER Needles should be used
 in SINGER Machines.
 These Needles and their Containers
 are marked with the
 Company's Trade Mark "SIMANCO.***" 1

Needles in Containers marked
 "FOR SINGER MACHINES"
 are NOT **SINGER** made needles. 2

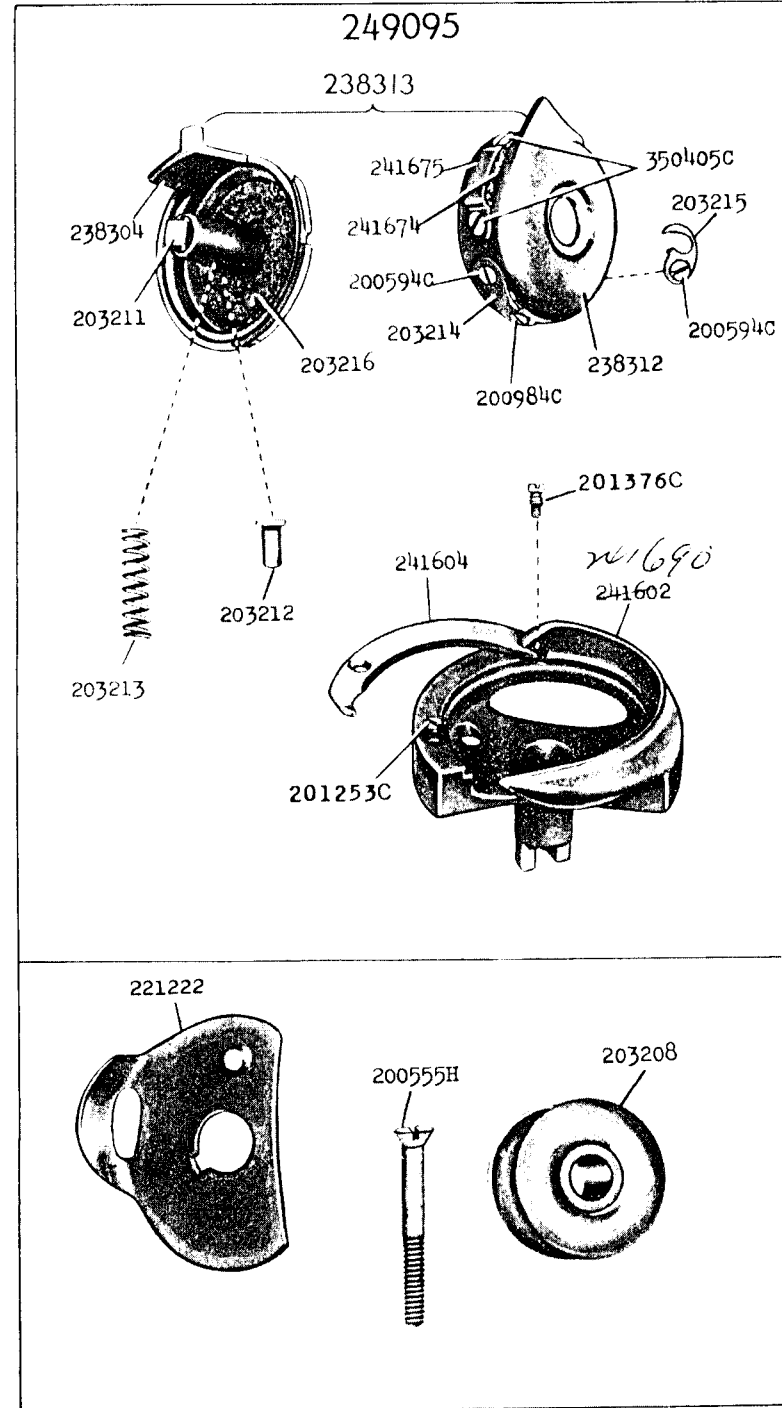


15739 - 1/3

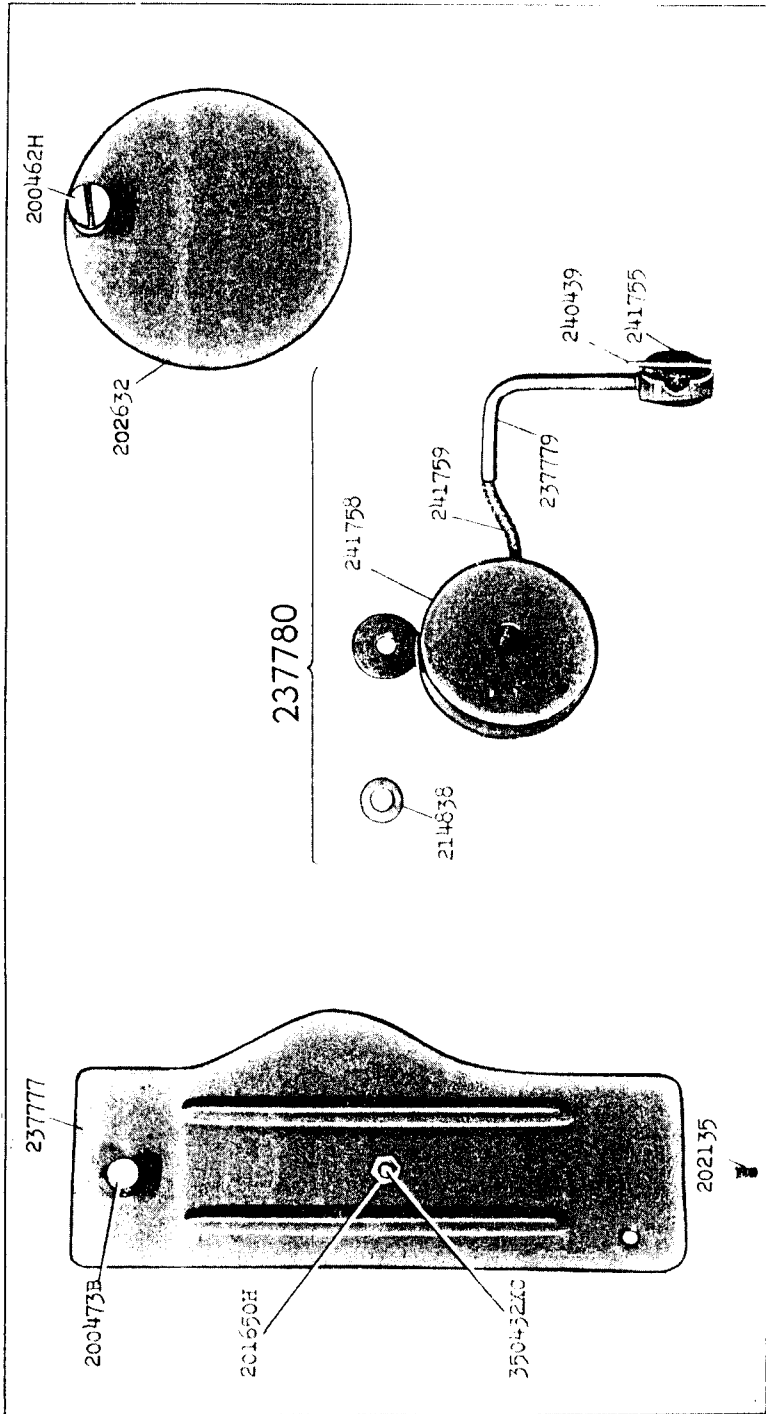


15743

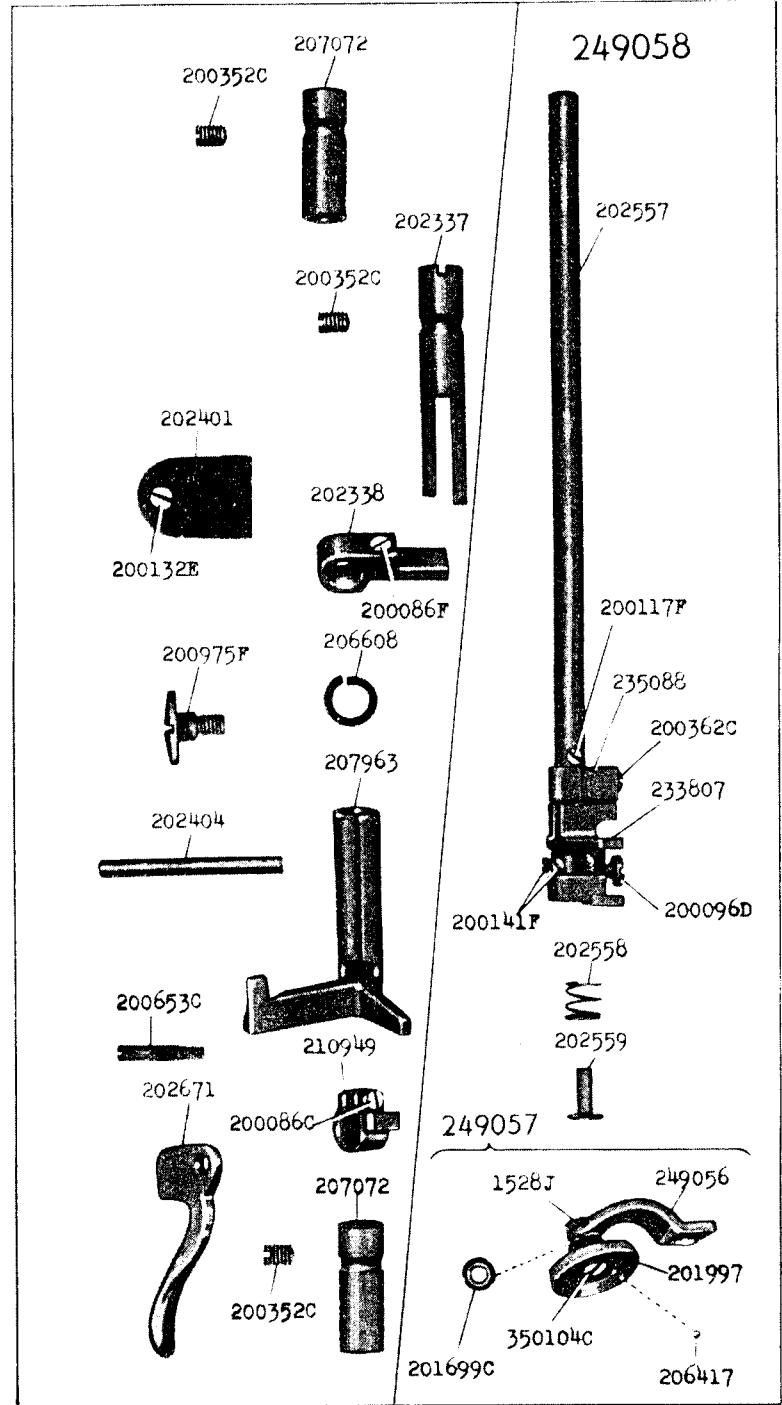
249095



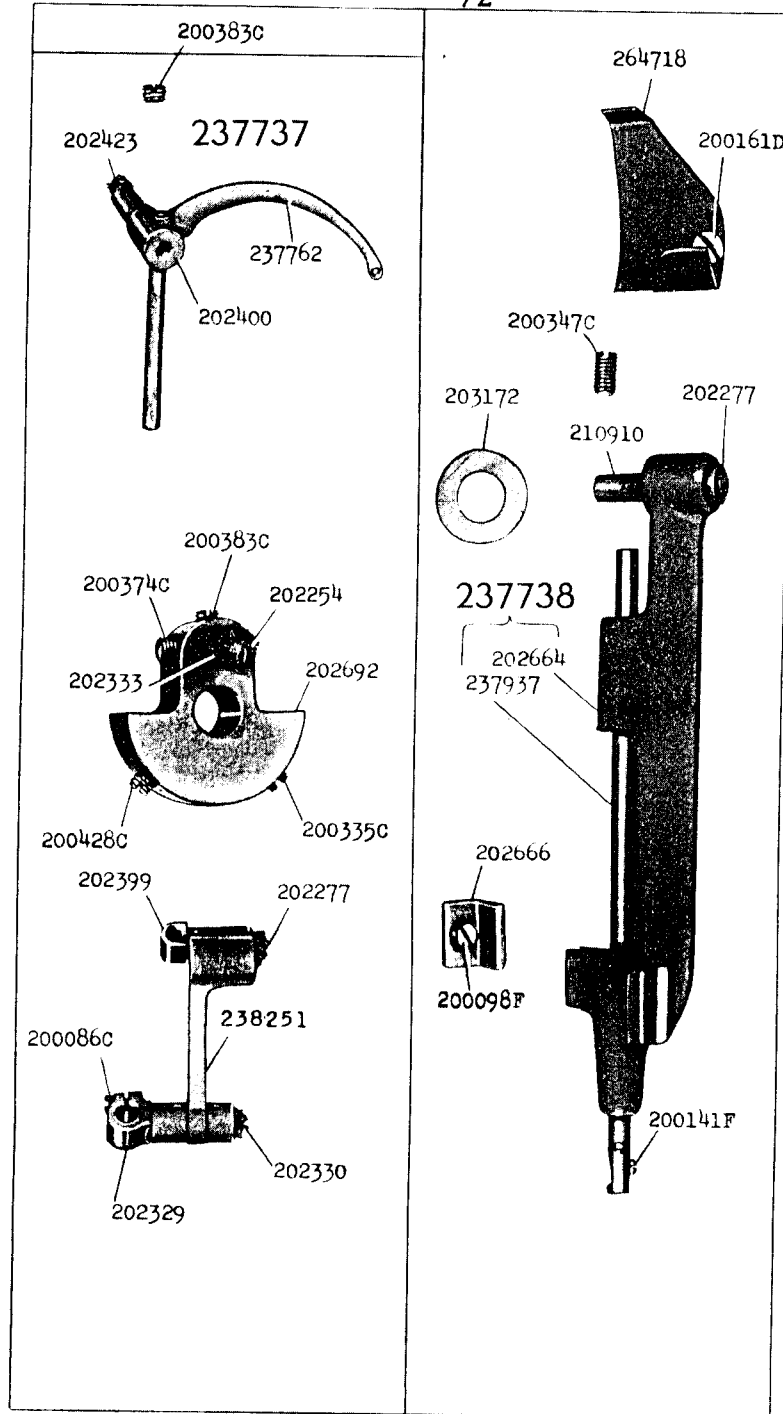
15745 - 1/2



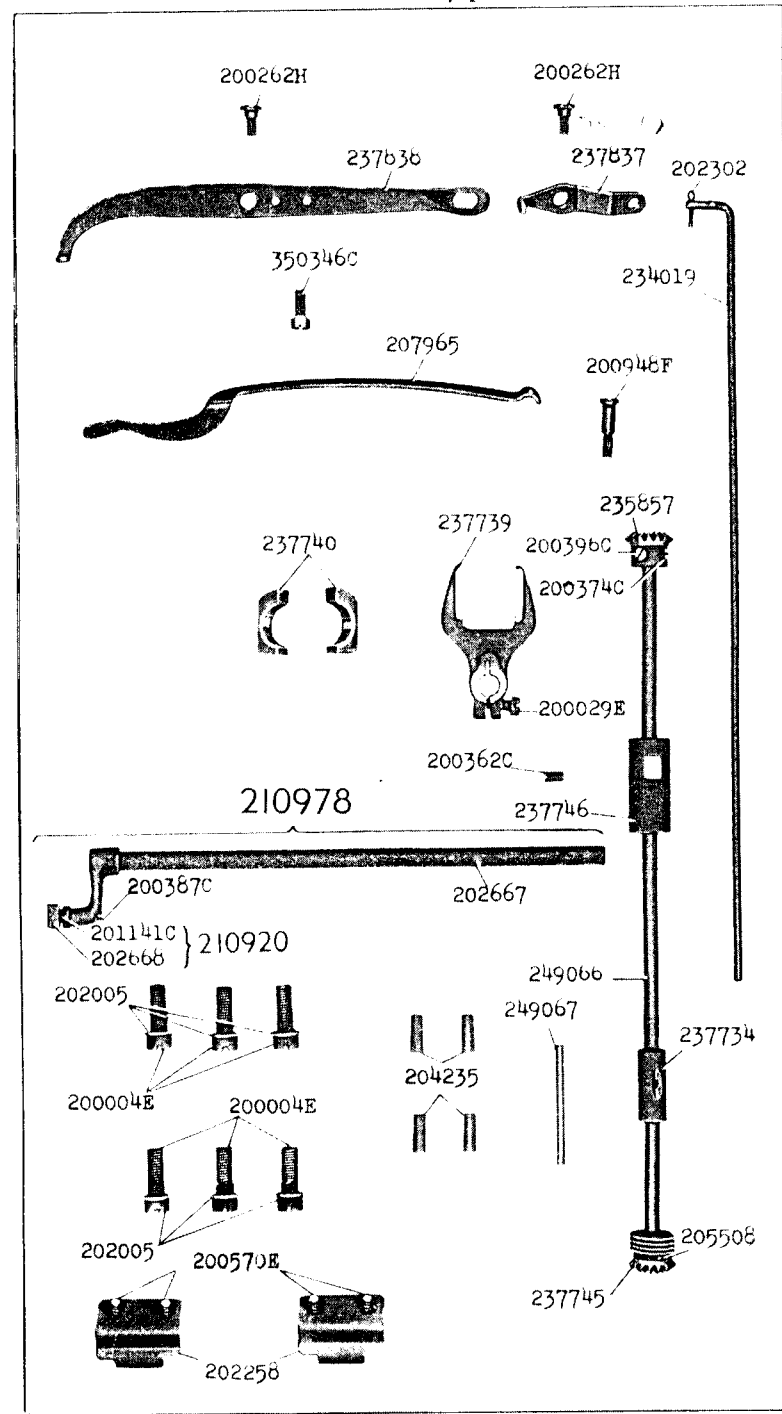
15746 - 1/2



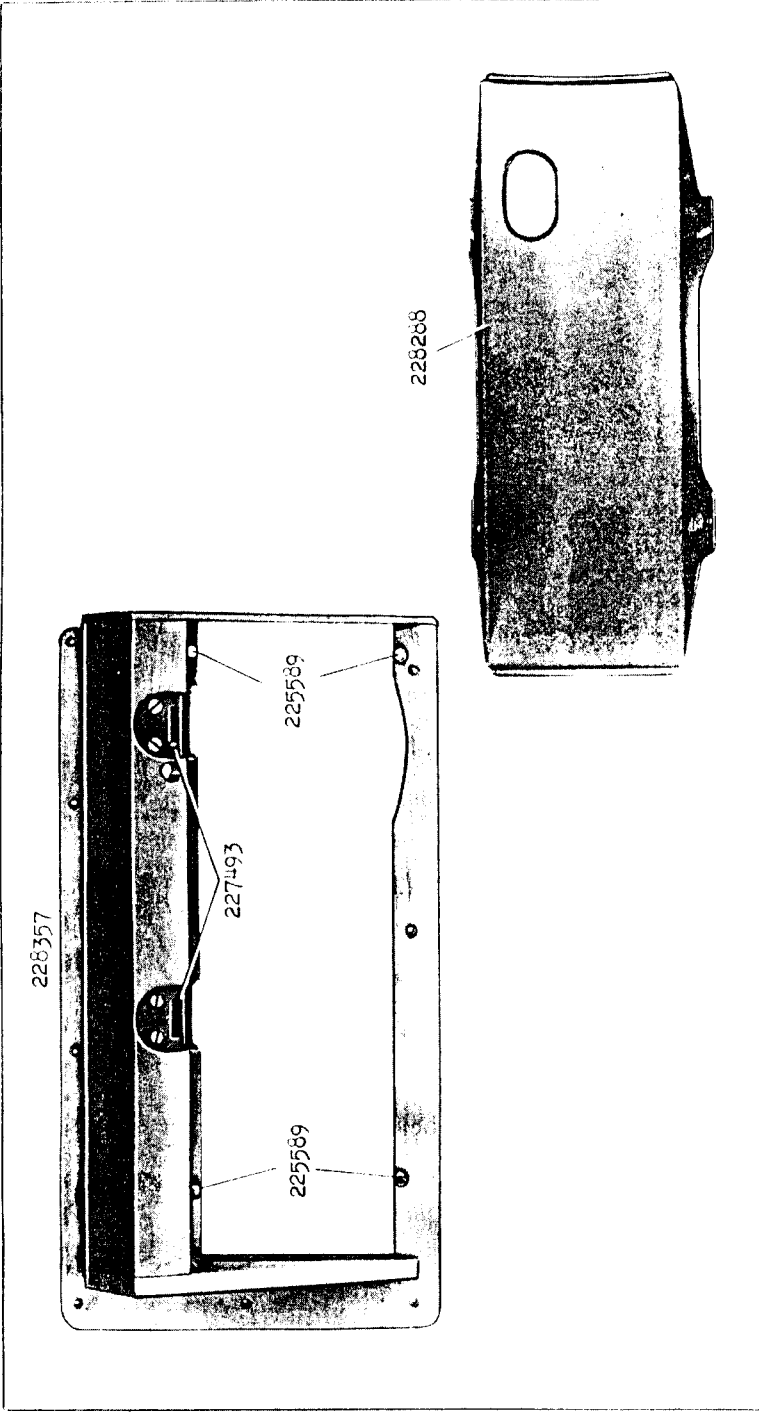
15747 - 1/2



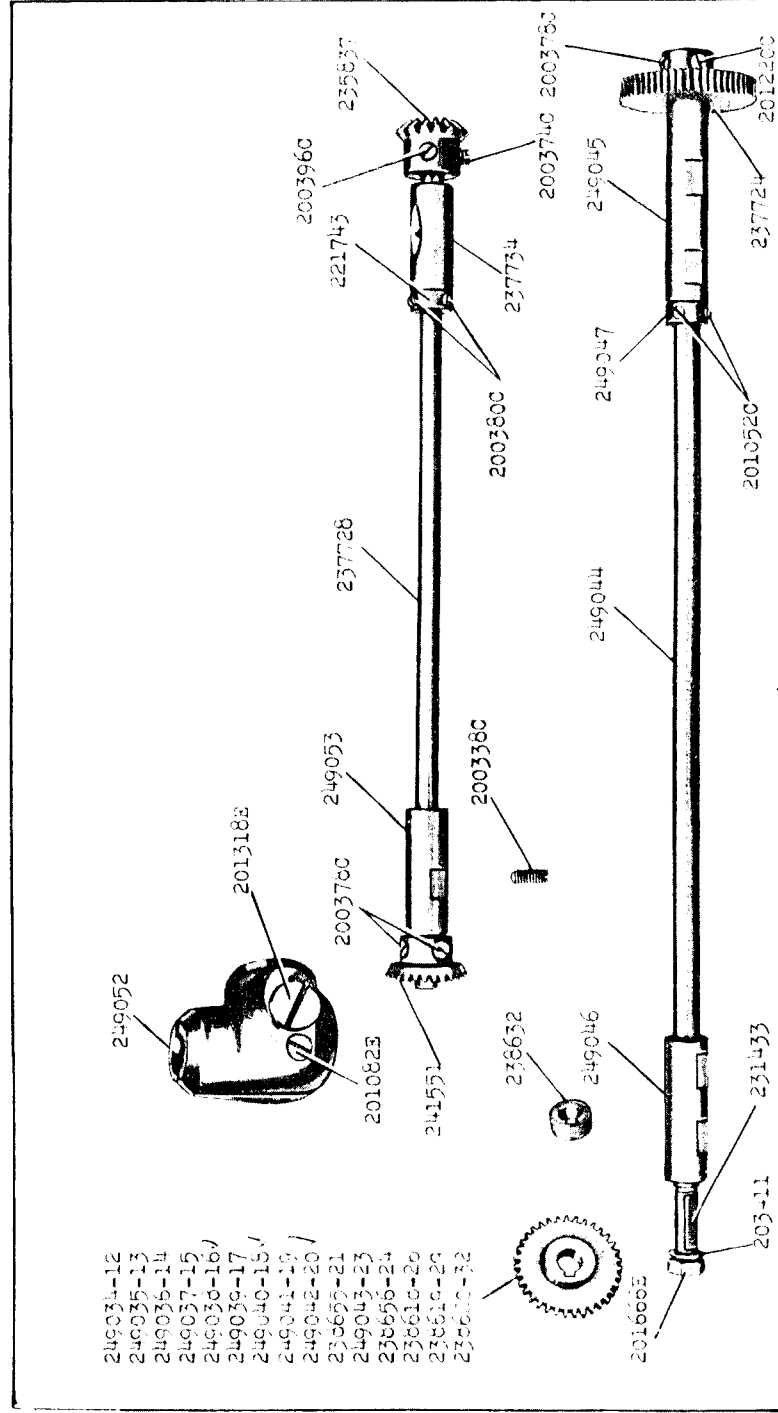
15748 - 1/4



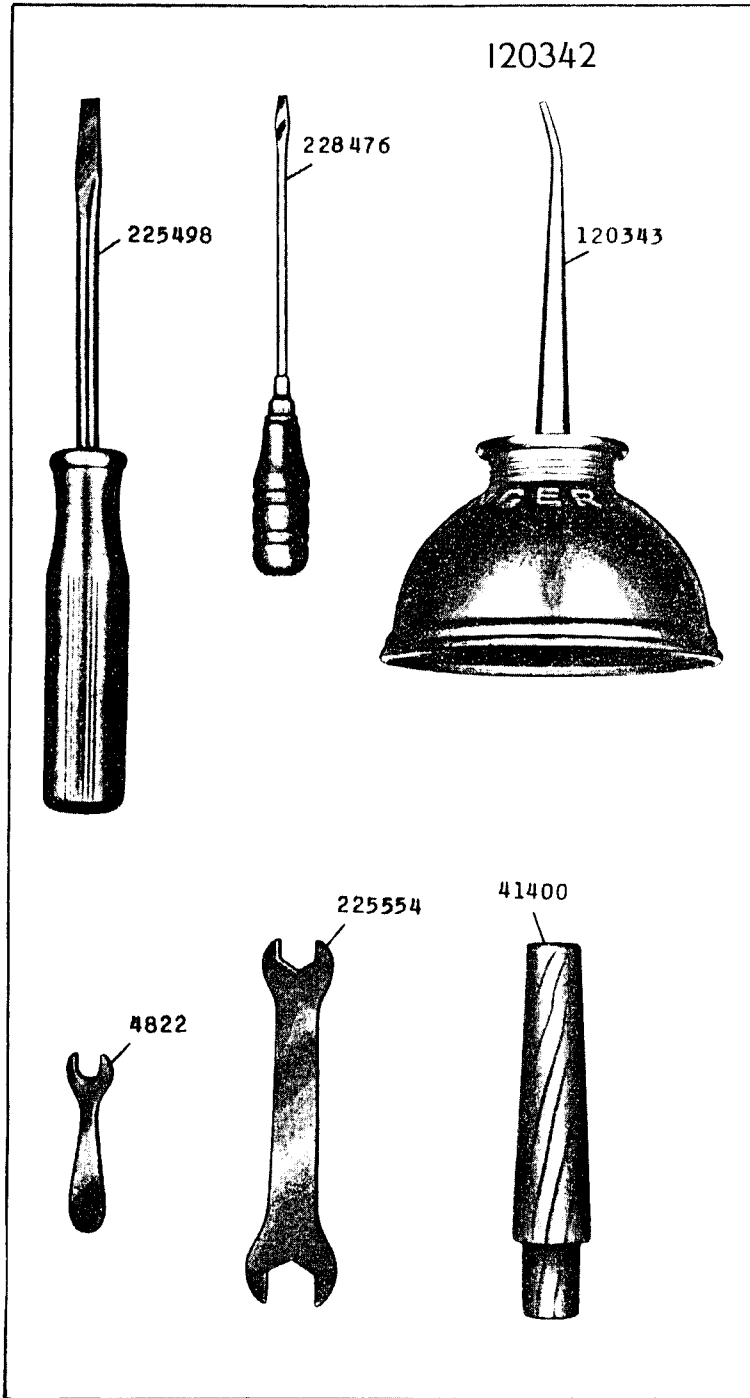
15751 - 1/6



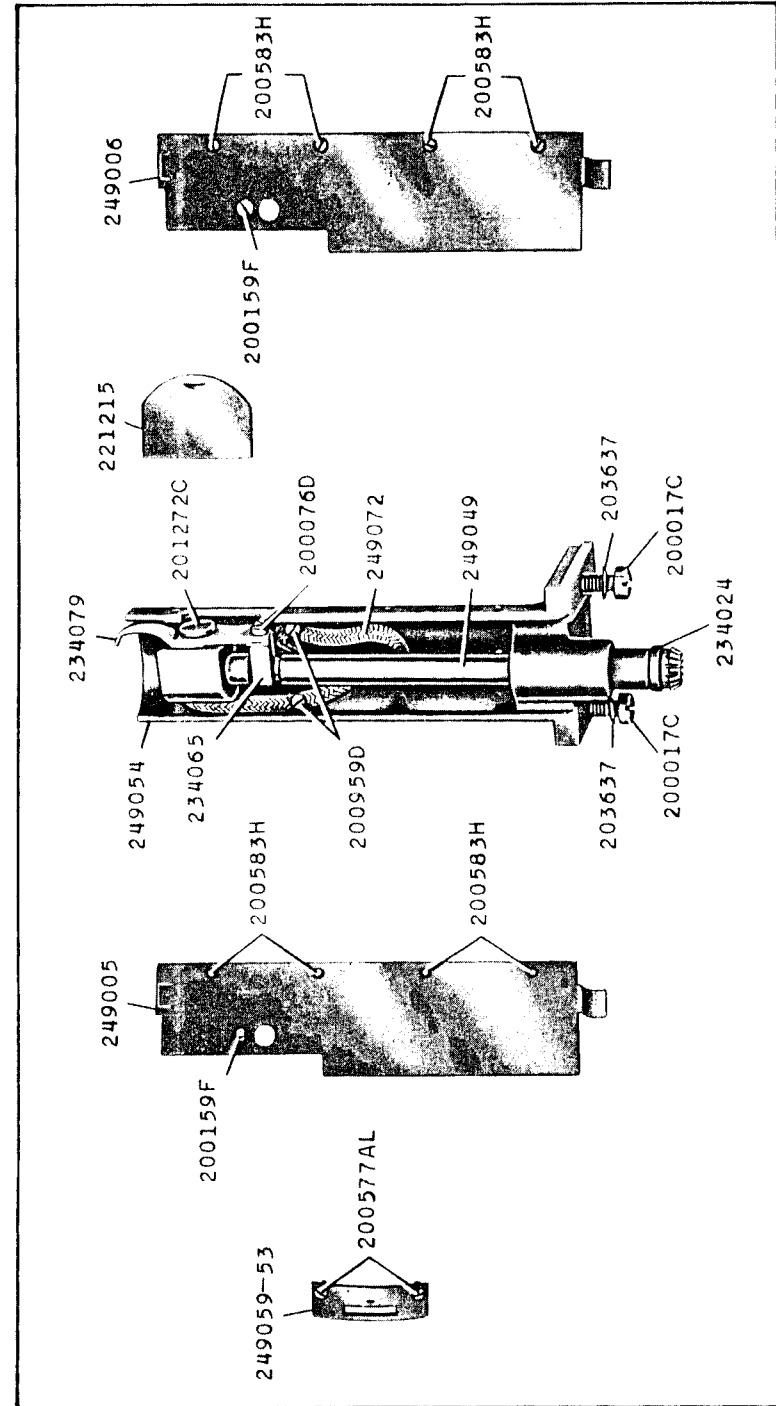
15753 - 3/8

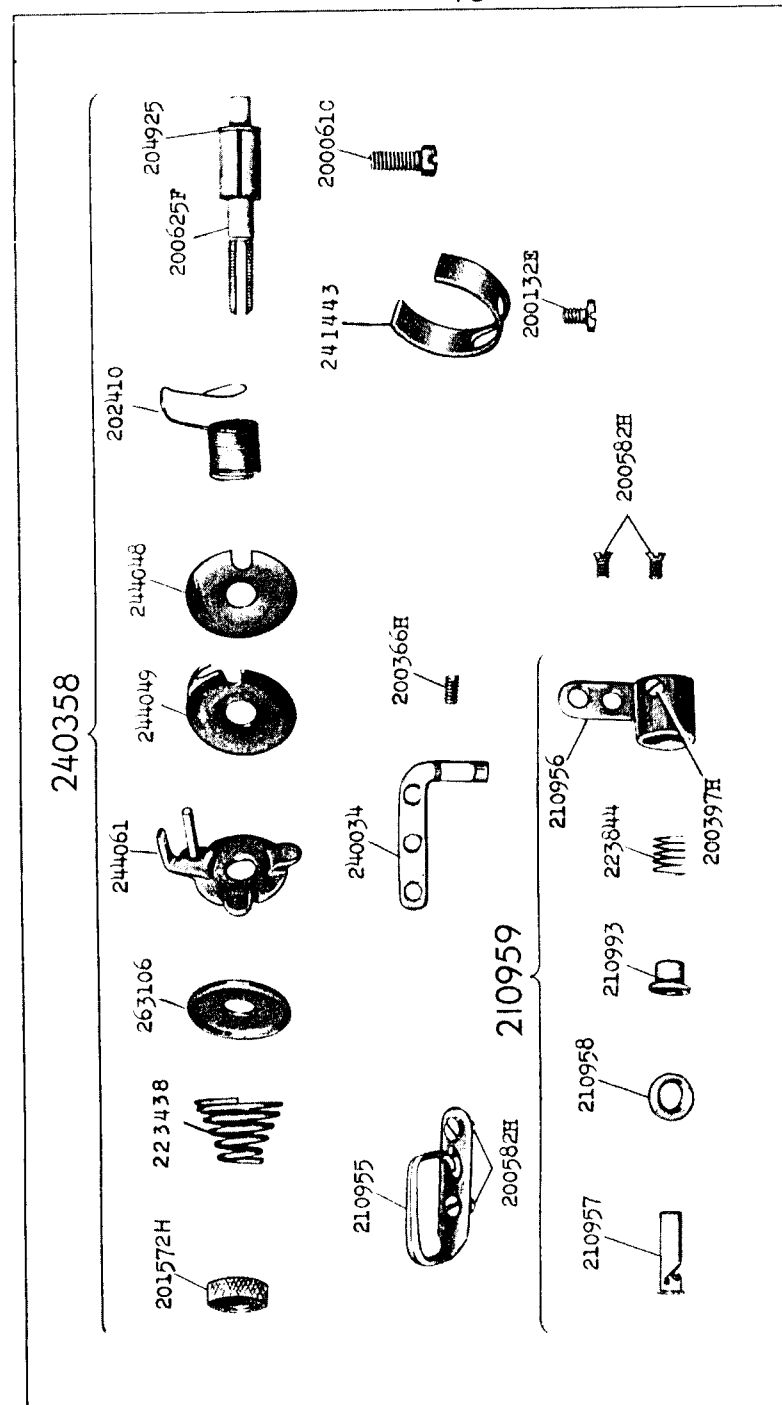
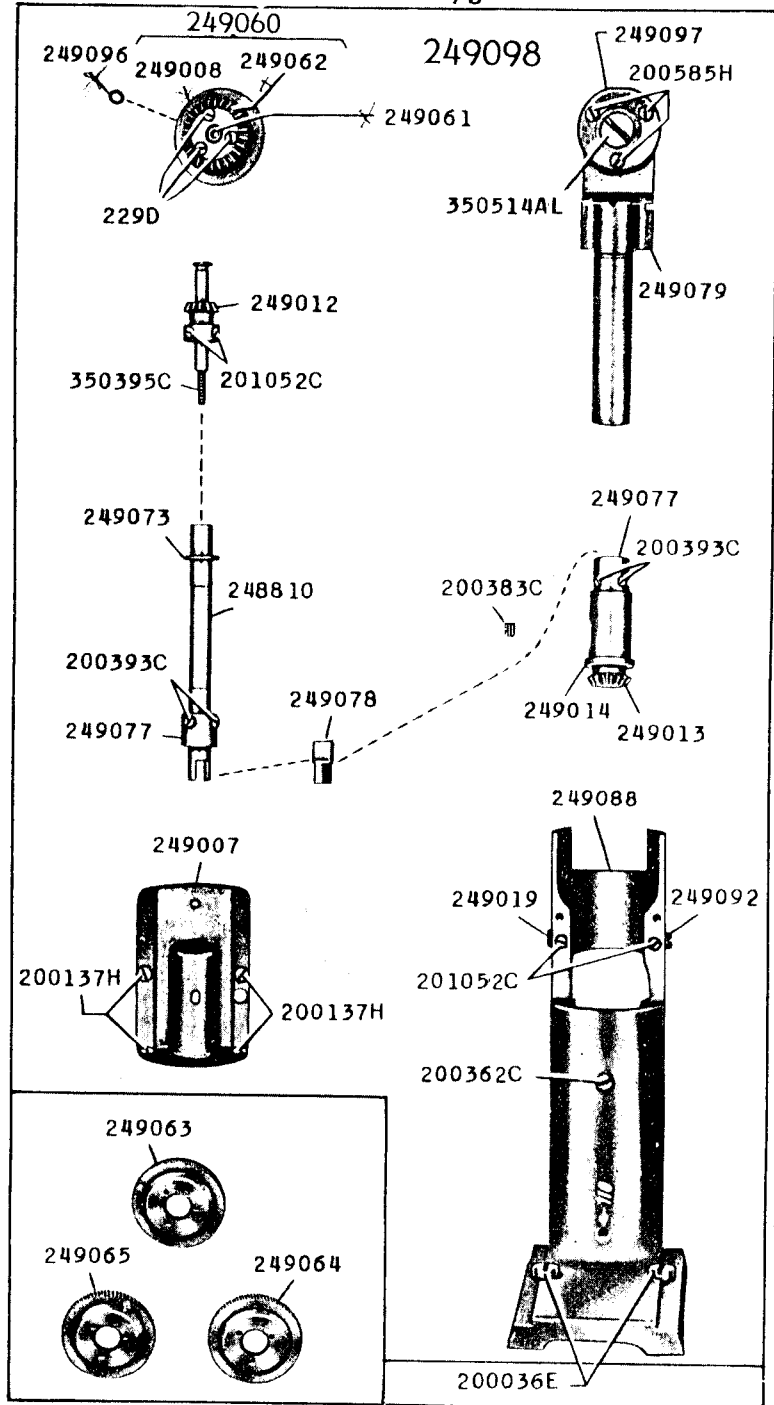


15757 - 1/2

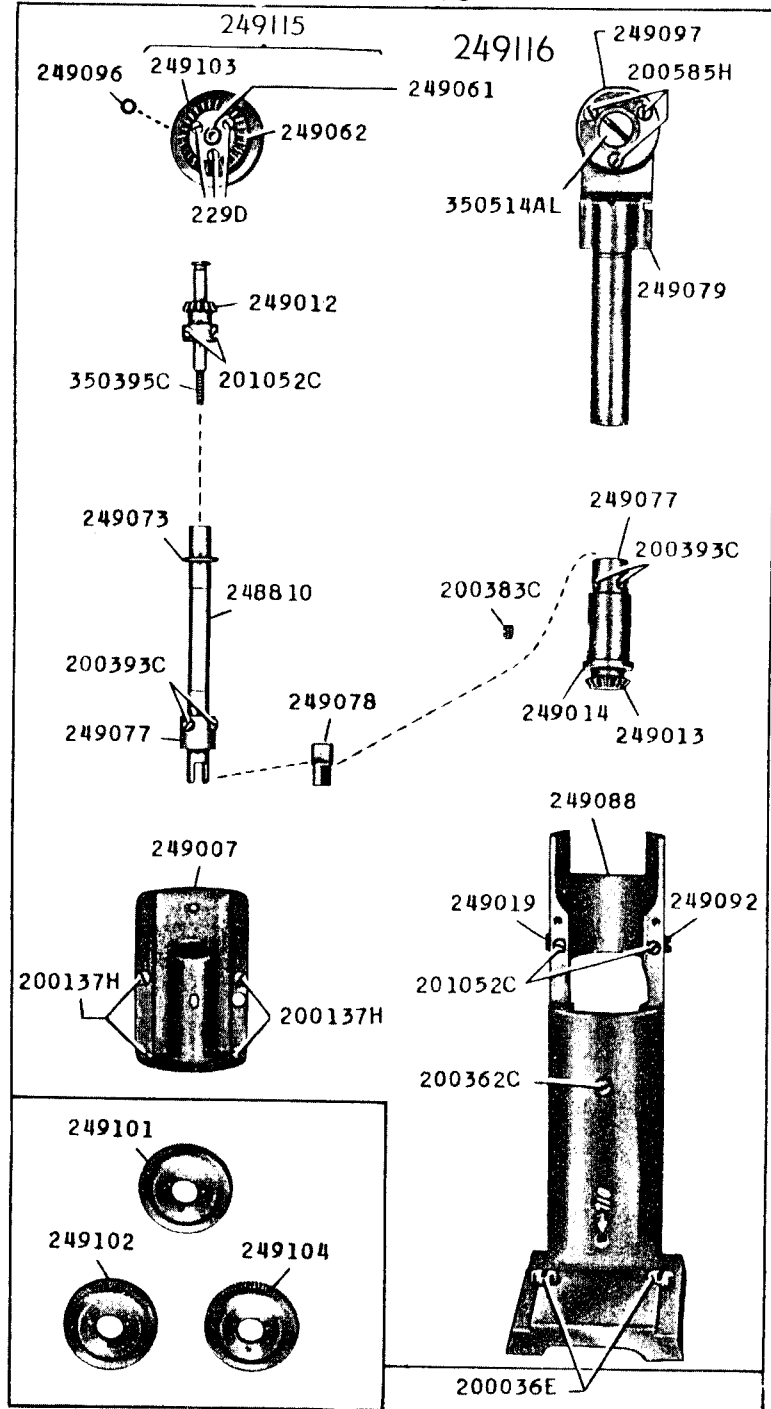


15758 - 1/3

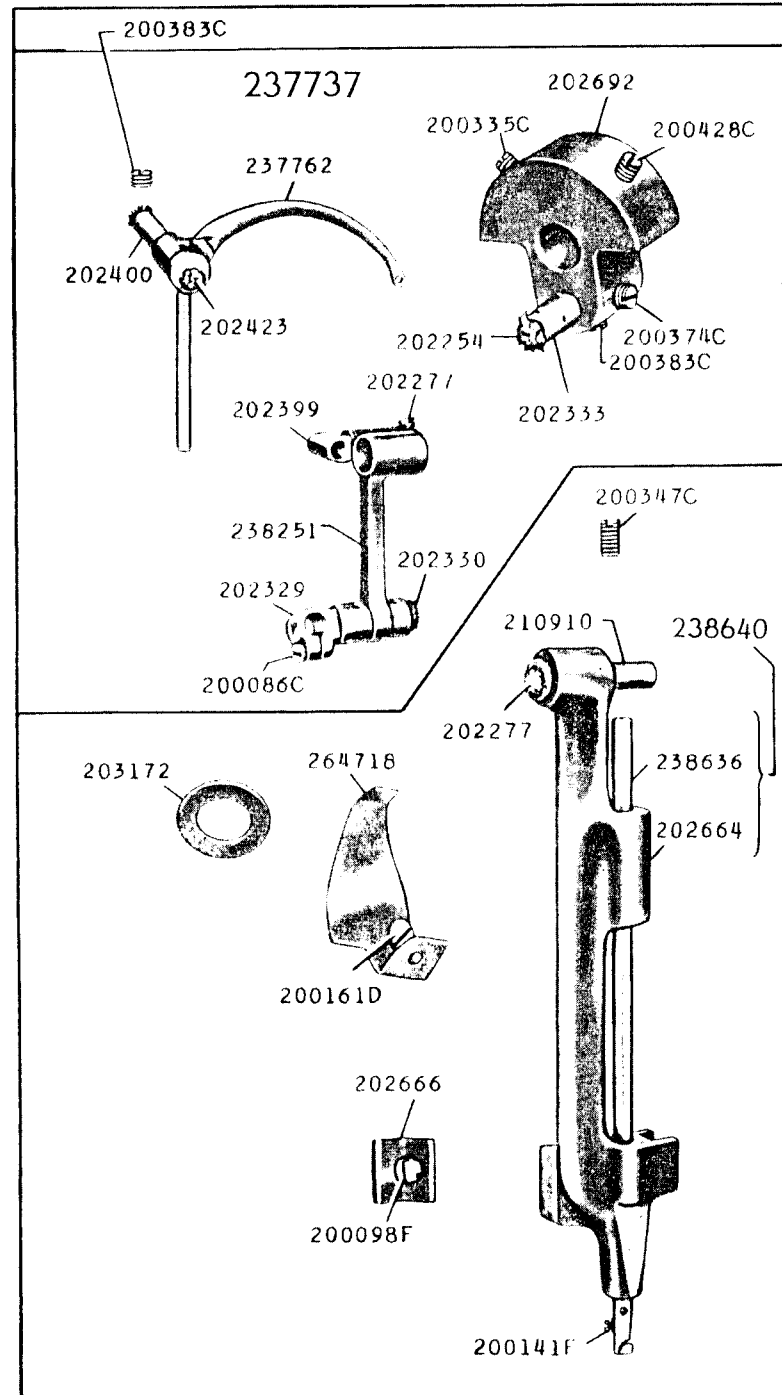




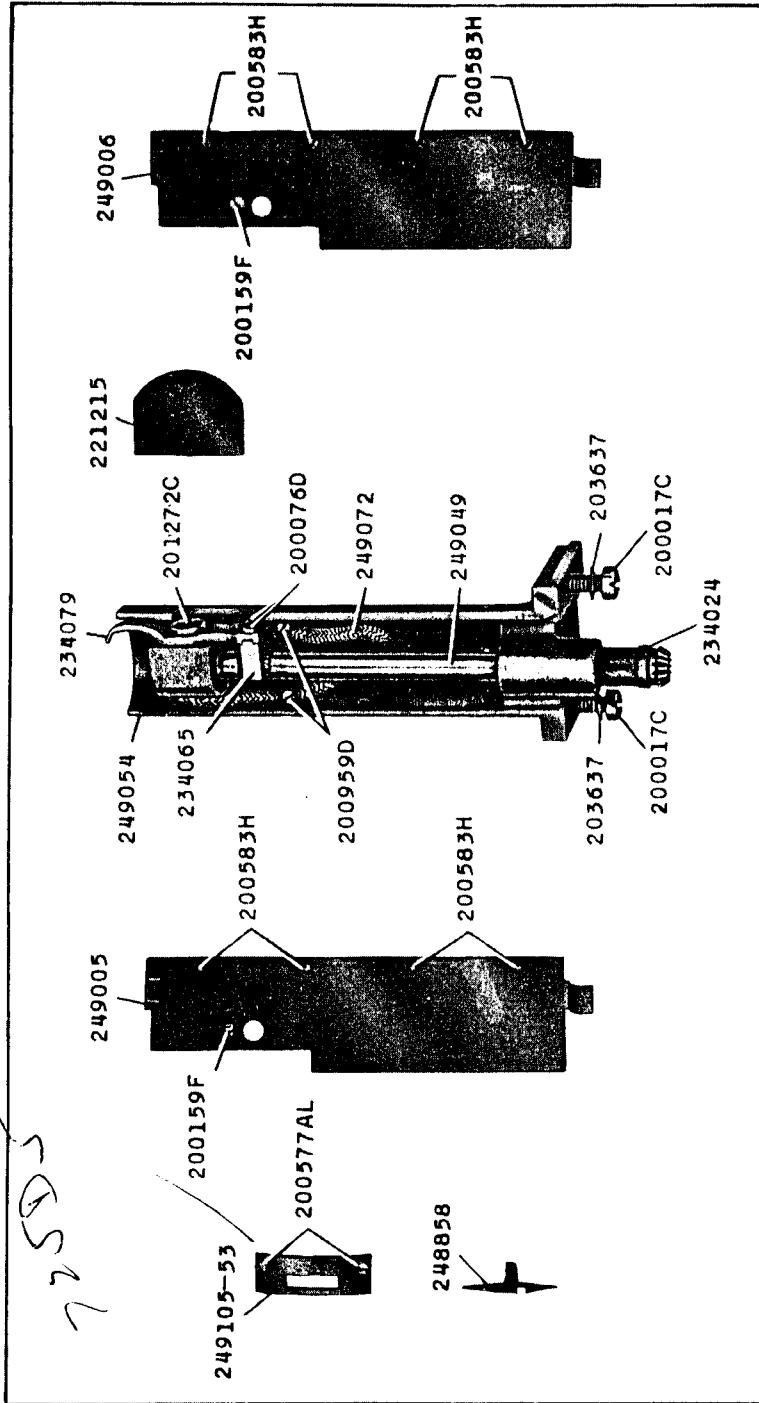
15761 - 1/3



15762 - 1/2

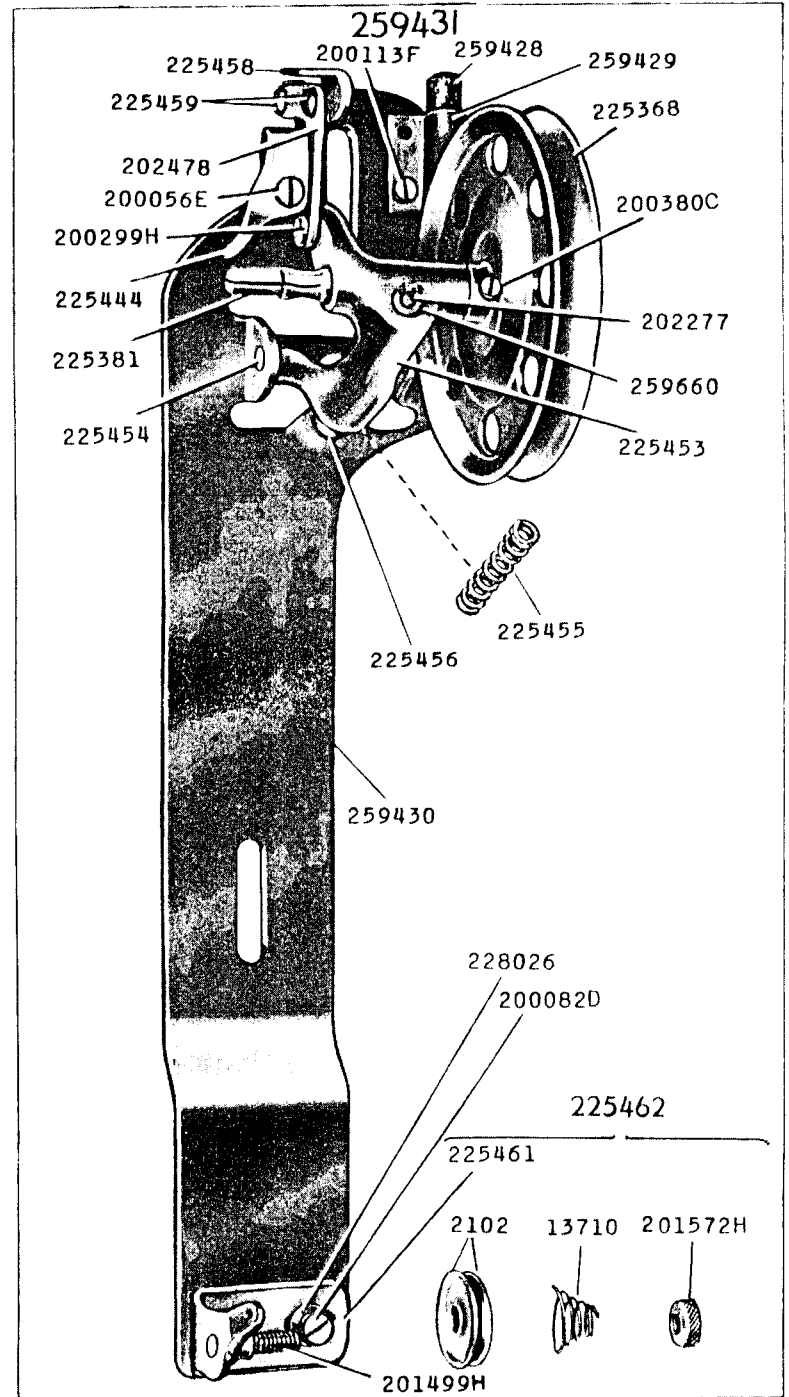


15764 - 1/3

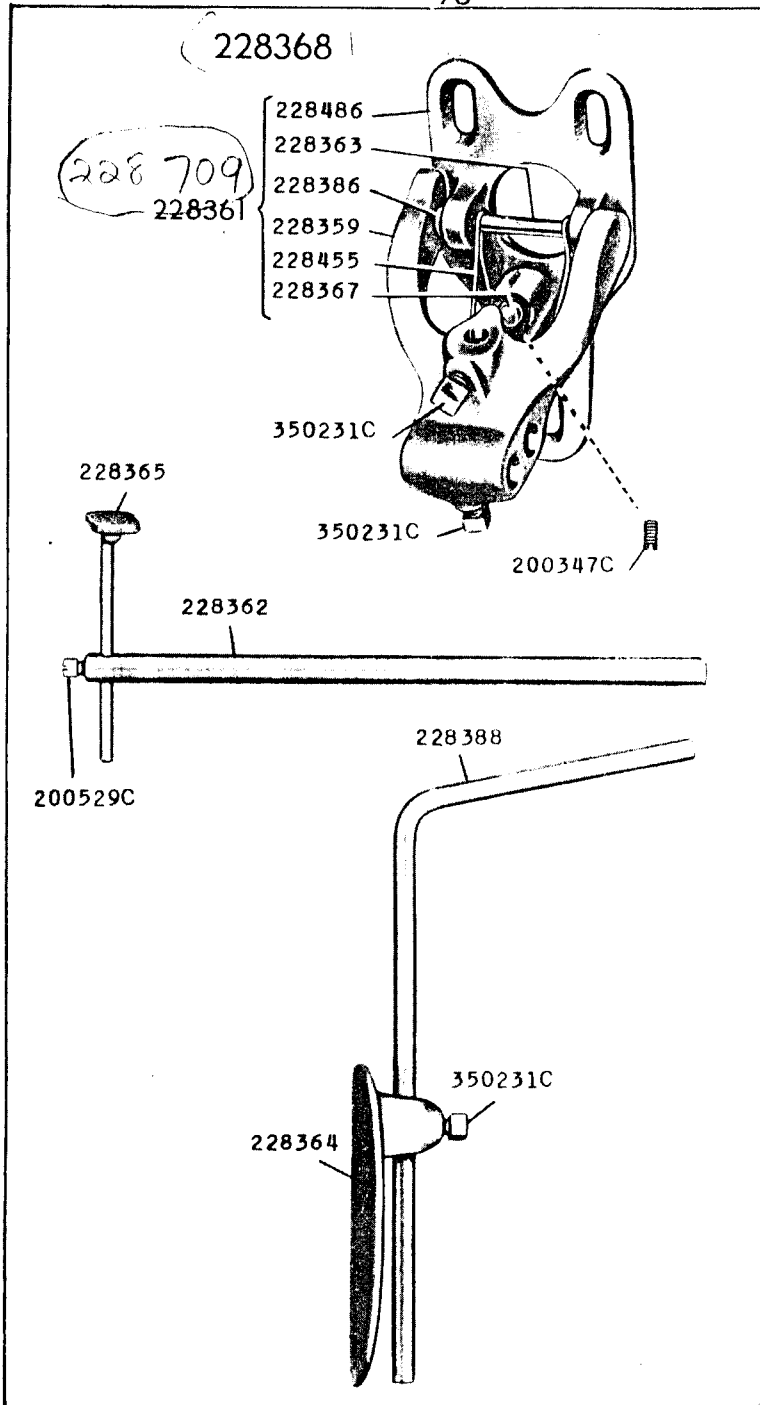


7259D5

16615 - 1/2



16643 - 3/8



16776 - 1/2

