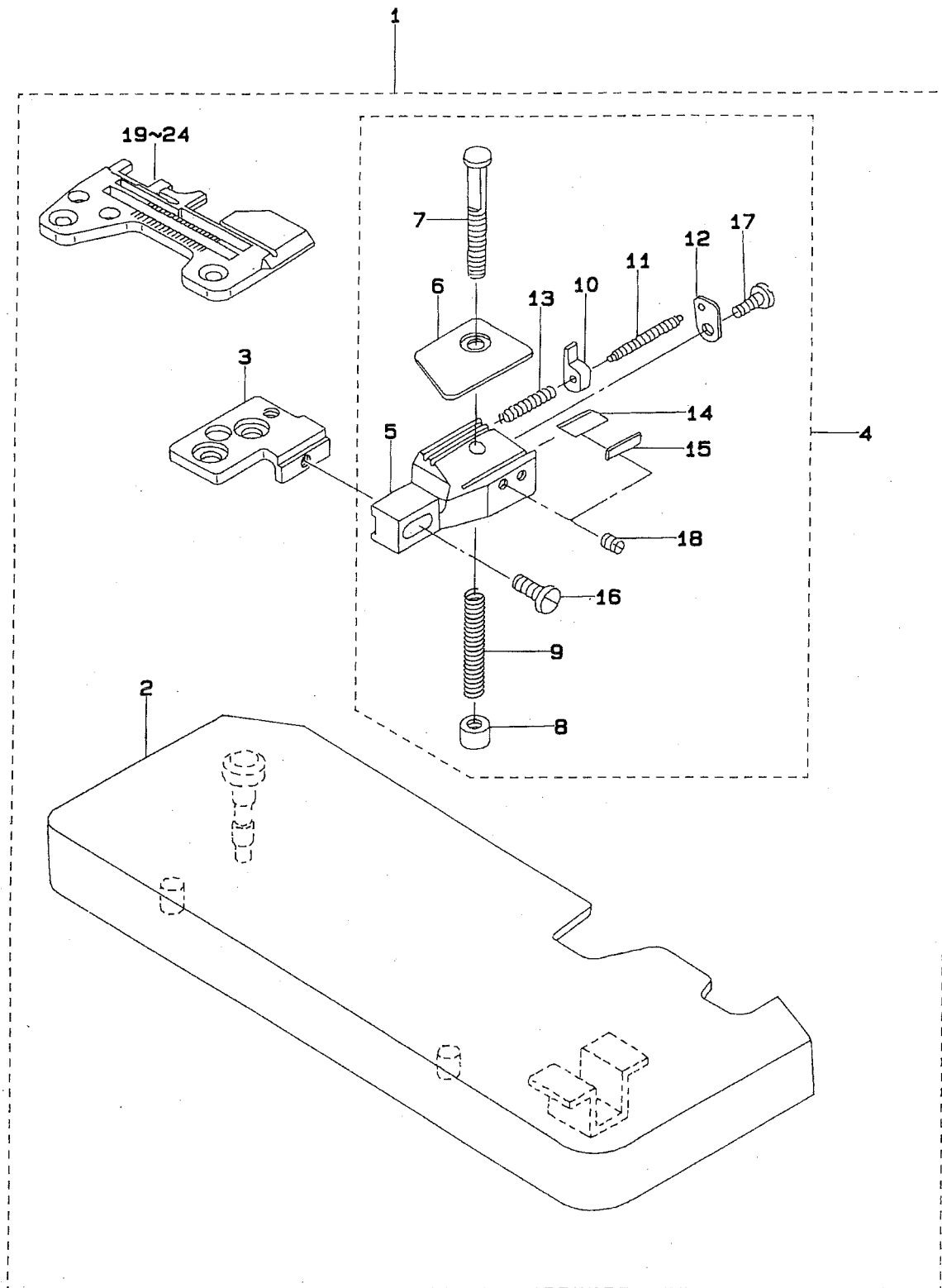


Backlatch device

Z-173

Part No# MAZ-173000A0



NO	NOTE	PART NO.	DESCRIPTION	Qty.
<input type="checkbox"/> 1		MAZ-173000A0	ROLLING INDEVICE ASM.	1
<input type="checkbox"/> 2		119-48783	CLOTH PLATE ASM.	(1)
<input type="checkbox"/> 3		MAZ-17301000	THROAT PLATE BASE(A)	(1)
<input type="checkbox"/> 4		MAZ-082000C0	ROLLING INDEVICE ASM.	(1)
<input type="checkbox"/> 5		MAZ-08201000	HOLDER BASE	(1)
<input type="checkbox"/> 6		MAZ-08203000	REAR PRESSER PLATE	(1)
<input type="checkbox"/> 7		MAZ-08204000	REAR PRESSER REGULATING SHAFT	(1)
<input type="checkbox"/> 8		MAZ-08205000	REAR PRESSER REGULATING KNOB	(1)
<input type="checkbox"/> 9		MAZ-08206000	REAR PRESSER REGULATING SPRING	(1)
<input type="checkbox"/> 10		MAZ-08207000	REAR GUIDE	(1)
<input type="checkbox"/> 11		MAZ-08208000	REAR GUIDE SHAFT	(1)
<input type="checkbox"/> 12		MAZ-08209000	REAR GUIDE SHAFT BASE	(1)
<input type="checkbox"/> 13		MAZ-08210000	REAR GUIDE SPRING	(1)
<input type="checkbox"/> 14		MAZ-08211000	KNIFE	(1)
<input type="checkbox"/> 15		MAZ-08212000	KNIFE PRESSER	(1)
<input type="checkbox"/> 16		SS-7091110-SP	SCREW 9/64-40 L=10.5	(1)
<input type="checkbox"/> 17		SS-7090850-SP	SCREW 9/64-40 L=8	(1)
<input type="checkbox"/> 18		SS-8090410-SP	SCREW 9/64-40 L= 3.5	(2)
<input type="checkbox"/> 19	#01	R4200-J2D-D00	THROAT PLATE	(1)
<input type="checkbox"/> 20	#02	R4200-J2D-D0A	THROAT PLATE	(1)
<input type="checkbox"/> 21	#03	R4200-J2D-D0B	THROAT PLATE	(1)
<input type="checkbox"/> 22	#04	R4200-J2E-D00	THROAT PLATE	(1)
<input type="checkbox"/> 23	#05	R4300-J2D-E00	THROAT PLATE	(1)
<input type="checkbox"/> 24	#06	R4300-J2E-E00	THROAT PLATE	(1)

NOTE () #01.....FOR 04B-OD4-300
#02.....FOR 04B-OD4-306
#03.....FOR 04S-OD4-300
#04.....FOR 04B-OE4-300
#05.....FOR 04B-OD6-300
#06.....FOR 04B-OE6-300

TOP