

Form 20724
(154)
Printed in U.S.A.

LIST OF PARTS



SINGER**

MACHINE No. 105-9

THE SINGER MANUFACTURING COMPANY

**A Trade Mark of THE SINGER MANUFACTURING COMPANY

INSTRUCTIONS FOR OILING

To ensure easy running and prevent unnecessary wear of the parts which are in movable contact, the machine requires oiling and when in continuous use, "TYPE B" or "TYPE D" OIL, sold by Singer Sewing Machine Company, should be applied at least twice each day to all oil holes marked "OIL".

"TYPE D" OIL should be used when an oil is desired which will produce a minimum of stain on fabrics, even after a long period of storage.

INDEX

	Page
Accessories	12
Fittings	12
Foot Lifter Parts	12
Hemmer on Shank	12
Knee Lifter Parts	13
Machine Base	13
Machine Base Oil Drain Jar	14
Machine No. 105-9	7
Numerical List of Parts	15
Thread Unwinder	14

INSTRUCTIONS FOR ORDERING

In ordering from this list, use ONLY the part NUMBER in the FIRST column.

The number stamped on a Sewing Machine Part is in every case the number of the single part only.

Every combination of parts sent out as such has its specific number, which, although not stamped on the parts, must be used when ordering the combination.

Each number always indicates the SAME PART in whatever list it appears, or for whatever machine.

The letters after some of the numbers indicate the style of finish only, as follows:

- A—Hardened, Polished, Nickel Plated and Buffed
- A.A—Buffed and Chromium Plated
- A.B—Hardened, Polished, Buffed and Chromium Plated
- A.C—Brown Baking Enamel Finish
- A.D—Gray Baking Enamel Finish
- A.E—Hardened, Bright Rumbled and Nickel Plated
- A.F—Hardened, Bright Rumbled, Nickel Plated, Bright Rumbled and Chromium Plated
- A.G—Alumilite, Plain
- A.H—Alumilite, Dyed
- A.J—Polished, Nickel Plated and Chromium Plated
- A.K—Hardened, Polished, Nickel Plated and Chromium Plated
- A.L—Heat Treated for Toughness
 - B—Polished, Nickel Plated and Buffed
 - C—Hardened Only
- C.R—Hardened and Merlized
 - D—Polished Only
 - E—Soft, Not Polished
 - F—Hardened and Polished
- F.J—Hardened, Polished and Nickel Plated
 - G—Bright Rumbled and Nickel Plated
- H—Blued
- J—Nickel Plated Only
- K—Hardened and Nickel Plated
- L—Brass Plated
- M—Oxidized
- N—Japanned, Dull
- P—Japanned, Bright
- P.P—Wrinkle Finish
- R—Merlized
- S—Cadmium Plated
- T—Copper Plated
- T.A—Hardened, Polished, Copper and Nickel Plated and Buffed
- T.B—Copper and Nickel Plated and Polished
- T.J—Copper and Nickel Plated Only
- T.K—Hardened, Copper and Nickel Plated
- T.L—Copper and Brass Plated
- T.M—Copper Plated and Oxidized

INSTRUCTIONS FOR ORDERING—Continued

- U—Zinc Plated
- V—Silver Plated
- W—Polished and Nickel Plated
- X—Black Oxide, for Iron and Steel
- X.C—Hardened and Black Oxide, for Iron or Steel
- Y—Black Nickel Plated Only
- Z—Chromium Plated
- Z.A—Hardened, Polished, Nickel Plated, Buffed and Chromium Plated
- Z.B—Polished, Nickel Plated, Buffed and Chromium Plated
- Z.C—Hardened and Chromium Plated
- Z.D—Polished and Chromium Plated
- Z.G—Bright Rumbled, Nickel Plated, Bright Rumbled and Chromium Plated
- Z.J—Nickel and Chromium Plated
- Z.T—Copper and Chromium Plated

These letters MUST BE USED when they appear in the list; and AFTER the number as in the list.

In this series:

1 to 1500, 50001 to 51500 and 140001 to 142000 are Screw Numbers

1501 to 1800 and 51501 to 51800 are Nut Numbers

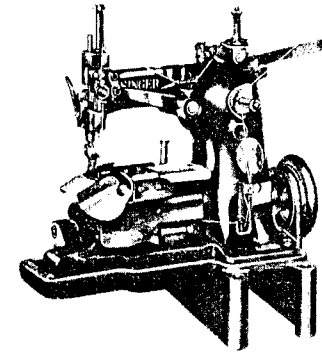
1801 to 2000 and 51801 to 52000 are Roller Numbers

2001 to 50000 and 52001 to 140000 and 142001 to 190000 are Sewing Machine Parts, 190001 and upward are numbers of Electrical Parts.

The figures in the second column refer only to the plates, illustrating the parts, and are NOT TO BE USED in ordering.

Parts marked with an asterisk (*) are furnished only when repairs are made at factory.

LIST OF PARTS COMPLETE
FOR



MACHINE No. 105-9

FOR HEMMING THE BOTTOM OF OVERALLS. ONE NEEDLE, ONE LOOPER. HIGH LIFT. STITCHES MATERIAL UP TO 5/16" THICK. LENGTH OF STITCH 6 TO 20 TO THE INCH. CYLINDRICAL SHAPED THROAT PLATE. TRIPLE HINGED PRESSER FOOT. SPEED UP TO 3200, DEPENDING ON MATERIALS USED AND OPERATIONS PERFORMED.

SINGER Needles should be used
in SINGER Machines
These Needles and their Containers
are marked with the
Company's Trade Mark "SIMANCO.**" 1

Needles in Containers marked
"FOR SINGER MACHINES"
are NOT SINGER made needles. 2

No.	Plate	Name
*59637	Arm, upper and lower (solid).....
59491	22581	Arm Rotary Shaft.....
59609	Arm Rotary Shaft Bushing (back).....
59610	22581	Arm Rotary Shaft Bushing (back) 59609 with 52045 and 59611.....
59611	Arm Rotary Shaft Bushing (back) Oil Wick (braided cotton).....
52045	22581	Arm Rotary Shaft Bushing (back) Packing (wick).....
50554AL	22581	Arm Rotary Shaft Bushing (back) Set Screw.....
59524	22581	Arm Rotary Shaft Bushing (front) with 52045.....
52045	22581	Arm Rotary Shaft Bushing (front) Packing (wick).....
448AL	22581	Arm Rotary Shaft Bushing (front) Set Screw.....
59612	Arm Rotary Shaft Bushing (intermediate).....
59613	22581	Arm Rotary Shaft Bushing (intermediate) 59612 with 52045 and 128571.....
128571	Arm Rotary Shaft Bushing (intermediate) Oil Wick (braided cotton).....
52045	22581	Arm Rotary Shaft Bushing (intermediate) Packing (wick).....
50554AL	22581	Arm Rotary Shaft Bushing (intermediate) Set Screw.....
59629	22581	Arm Side Cover with 59631 and 132555.....
59631	22581	Arm Side Cover Oil Tube Oil Cup.....
132555	22581	Arm Side Cover Oil Tube Oil Pad (braided cotton).....
1423J	22581	Arm Side Cover Screw (2).....
59667	22582	Feed Bar with two each 458AL and 882AL.....
59668	Feed Bar 59667 with 59670 and 59671.....
59669	22582	Feed Bar Carrier with two 882AL and four 449AL.....

No.	Plate	Name
59670		Feed Bar Carrier 59669 with 59617 and 59618
57234	22582	Feed Bar Carrier Hinge Pin
57235	22582	Feed Bar Carrier Hinge Pin Bushing (2)
457AL	22582	Feed Bar Carrier Hinge Pin Bushing Set Screw (2)
449AL	22582	Feed Bar Carrier Hinge Pin Set Screw (2)
59671	22582	Feed Bar Hinge Pin
59617	22582	Feed Bar Hinge Pin Bushing (left)
882AL	22582	Feed Bar Hinge Pin Bushing (left) Set Screw
59618	22582	Feed Bar Hinge Pin Bushing (right)
882AL	22582	Feed Bar Hinge Pin Bushing (right) Set Screw
458AL	22582	Feed Bar Hinge Pin Set Screw (2)
59640	22583	Feed Dog, 8 teeth (6 teeth to the inch)
596J	22583	Feed Dog Screw
51061AL	22581	Feed Eccentric Body Set Screw (2)
7071	22581	Feed Eccentric Clamping Washer
217J	22581	Feed Eccentric Clamping Washer Screw
59495	22581	Feed Eccentric (adjustable) complete, Nos. 217J, 7071, 50328C, 130337 and two 51061AL
59517		Feed Eccentric 59495 with 59216
59216	22582	Feed Eccentric Connection with 12002 and 139110
59217	22582	Feed Eccentric Connection Bar with 59218
59218		Feed Eccentric Connection Bar Plug
449AL	22582	Feed Eccentric Connection Bar Set Screw (2)
139110	22582	Feed Eccentric Connection Oil Wick
12002	22582	Feed Eccentric Connection Oil Wick Retaining Pin
130337		Feed Eccentric Lubricating Pad (wood)
59513	22581	Feed Lifting Eccentric with two 50150AL
59514		Feed Lifting Eccentric 59513 with 59220
59220	22582	Feed Lifting Eccentric Connection
59221	22582	Feed Lifting Eccentric Connection Bar with 59218
59635	22581	Feed Lifting Eccentric Connection Bar Oil Tube with Bracket complete, Nos. 59631 and 130901
190J	22581	Feed Lifting Eccentric Connection Bar Oil Tube Bracket Screw
59631	22581	Feed Lifting Eccentric Connection Bar Oil Tube Oil Cup
130901	22581	Feed Lifting Eccentric Connection Bar Oil Tube Oil Pad (wick)
59218		Feed Lifting Eccentric Connection Bar Plug
882AL	22582	Feed Lifting Eccentric Connection Bar Set Screw (2)
42727	22581	Feed Lifting Eccentric Position Pin
50150AL	22581	Feed Lifting Eccentric Set Screw (2)
50328C	22581	Feed Regulating Screw
59487	22583	Looper
59381	22582	Looper Carrier with 50395AL
59224	22582	Looper Carrier Driver with two 1186E
1186E	22582	Looper Carrier Driver Clamping Screw (2)
207J	22581	Looper Carrier Driver Timing Screw
59225	22582	Looper Carrier Hole Plug
59226	22582	Looper Carrier Shaft
59227	22582	Looper Carrier Shaft Crank with 1143AL
1143AL	22582	Looper Carrier Shaft Crank Clamping Screw
59663	22584	Looper Cover with two 1602E
59664	22584	Looper Cover complete, Nos. 59230, 59663 and two 330J
1602E	22584	Looper Cover Screw Bushing (2)
59230	22584	Looper Cover Holder
59231	22584	Looper Cover Holder Sleeve with 457AL
457AL	22584	Looper Cover Holder Sleeve Set Screw
59232	22584	Looper Cover Lock Stud
59233	22584	Looper Cover Lock Stud Spring
50300E	22584	Looper Cover Lock Stud Spring Cap Screw
330J	22584	Looper Cover Screw (2)
50395AL	22582	Looper Set Screw
59686	22581	Machine Driving Pulley, "V" belt groove (outside diam. of belt groove 2.9 in.) with 424C and 1354C

No.	Plate	Name
1354C	22581	Machine Driving Pulley Position Screw
424C	22581	Machine Driving Pulley Set Screw
59683	22585	Needle Bar (hollow) with 1072F
59666	22585	Needle Bar Bushing (lower)
457AL	22585	Needle Bar Bushing (lower) Set Screw
59469	22585	Needle Bar Bushing (upper)
457AL	22585	Needle Bar Bushing (upper) Set Screw
59672	22585	Needle Bar Connecting Bracket with 175E and 460AL
175E	22585	Needle Bar Connecting Bracket Clamping Screw
59237	22585	Needle Bar Connecting Link
40247	22585	Needle Bar Connecting Link Hinge Pin (lower)
208AL	22585	Needle Bar Connecting Link Hinge Pin (lower) Set Screw
40247	22585	Needle Bar Connecting Link Hinge Pin (upper)
460AL	22585	Needle Bar Connecting Link Hinge Pin (upper) Set Screw
59471	22585	Needle Bar Lever with 208AL, 448AL and 51407AL
59684		Needle Bar Lever 59471 with 59237, 59672 and two 40247
59603	22581	Needle Bar Lever Connecting Rod with 2089, 54969 and two each 141E and 647E
59604		Needle Bar Lever Connecting Rod 59603 with 59240 and 59636
59240	22581	Needle Bar Lever Connecting Rod Ball Stud
51407AL	22585	Needle Bar Lever Connecting Rod Ball Stud Set Screw
141E	22581	Needle Bar Lever Connecting Rod Cap (lower) Screw (2)
647E	22581	Needle Bar Lever Connecting Rod Cap (upper) Screw (2)
59636	22581	Needle Bar Lever Connecting Rod Eccentric with 448AL, 1299AL and two 59606
59606		Needle Bar Lever Connecting Rod Eccentric Lubricating Pad (wood) (2)
54969	22581	Needle Bar Lever Connecting Rod Eccentric Oil Pad
1299AL	22581	Needle Bar Lever Connecting Rod Eccentric Position Screw
448AL	22581	Needle Bar Lever Connecting Rod Eccentric Set Screw
42077	22581	Needle Bar Lever Connecting Rod Guide
59273	22581	Needle Bar Lever Connecting Rod Guide Bracket
176J	22581	Needle Bar Lever Connecting Rod Guide Bracket Screw
187E	22581	Needle Bar Lever Connecting Rod Guide Screw
59245	22585	Needle Bar Lever Connecting Rod Guide Stud
59246	22585	Needle Bar Lever Connecting Rod Guide Stud Bracket with 59245
193E	22585	Needle Bar Lever Connecting Rod Guide Stud Bracket Screw
2089	22581	Needle Bar Lever Connecting Rod Oil Pad Pin
59247	22585	Needle Bar Lever Hinge Pin
59248	22585	Needle Bar Lever Hinge Pin Bushing (back)
624AL	22585	Needle Bar Lever Hinge Pin Bushing (back) Set Screw
59249	22585	Needle Bar Lever Hinge Pin Bushing (front)
465AL	22585	Needle Bar Lever Hinge Pin Bushing (front) Set Screw
448AL	22585	Needle Bar Lever Hinge Pin Set Screw
59394	22585	Needle Bar Thread Retainer Bracket
228J	22585	Needle Bar Thread Retainer Bracket Screw
17718	22585	Needle Bar Thread Retainer Bracket Screw Washer
42483	22585	Needle Bar Thread Retainer Disc (2)
93AL	22585	Needle Bar Thread Retainer Screw
10107	22585	Needle Bar Thread Retainer Spring
59395		Needle Bar Thread Retainer complete, Nos. 93AL, 10107, 59394 and two 42483
59673	22582	Needle Guard (movable)
59674	22582	Needle Guard Clamp
1072F	22585	Needle Set Screw
59544	22585	Presser Bar
59472	22585	Presser Bar Bushing (lower)
457AL	22585	Presser Bar Bushing (lower) Set Screw
42253	22585	Presser Bar Bushing (upper)
457AL	22585	Presser Bar Bushing (upper) Set Screw

No.	Plate	Name
59368	22585	Presser Bar Lifter
89F	22585	Presser Bar Lifter Hinge Screw
51815	22585	Presser Bar Lifter Roller and Stud
50138E	22585	Presser Bar Lifter Stop Screw
59505	22585	Presser Bar Lifting Bracket with 391E, 1143AL, 51810, 51811 and 51815
391E	22585	Presser Bar Lifting Bracket Adjusting Screw
59506	22585	Presser Bar Lifting Bracket Guide
624AL	22585	Presser Bar Lifting Bracket Guide Set Screw
1143AL	22585	Presser Bar Lifting Bracket Set Screw
59675	22586	Presser Bar Spring
59676	22586	Presser Bar Spring Block
51810	22585	Presser Bar Spring Roller and Stud
59645	22583	Presser Foot Plate
59652	22583	Presser Foot Plate Hinge Stud (2)
665J	22583	Presser Foot Plate Hinge Stud Position Screw (2)
59646	22583	Presser Foot Shank
59647	22583	Presser Foot Yielding Heel
59648	22583	Presser Foot Yielding Heel Connection with 62527
62527	22583	Presser Foot Yielding Heel Connection Hinge Pin
39443	22583	Presser Foot Yielding Heel Connection Spring
62527	22583	Presser Foot Yielding Heel Connection Spring Position Pin
62527	22583	Presser Foot Yielding Heel Hinge Pin
59649	22583	Presser Foot (triple hinged) complete, Nos. 39443, 59645, 59646, 59647, 59648 and two each 665J, 59652 and 62527
185X	22583	Presser Foot Screw
1317D	22586	Pressure Regulating Thumb Screw
1547J	22586	Pressure Regulating Thumb Screw Lock Nut
59266	22585	Slack Thread Regulator
59267	22585	Slack Thread Regulator Holder with 465AL
59268	22585	Slack Thread Regulator Holder Crank with two 465AL
51811	22585	Slack Thread Regulator Holder Crank Roller and Stud
465AL	22585	Slack Thread Regulator Holder Crank Set Screw (2)
465AL	22585	Slack Thread Regulator Set Screw
2102	22586	Tension (under thread) Disc (2)
51570C	22586	Tension (under thread) Regulating Thumb Nut
50326C	22586	Tension (under thread) Screw Stud
59539	22586	Tension (under thread) Screw Stud 50326C with 51570C
59534	22586	Tension (under thread) Spring
59537	22586	Tension (under thread) Spring Bushing (large)
59538	22586	Tension (under thread) Spring Bushing (small)
131696	22586	Tension (under thread) Thread Guide
59650	22586	Tension (upper thread) Bracket
51192E	22586	Tension (upper thread) Bracket Screw
2102	22586	Tension (upper thread) Disc (2)
51570C	22586	Tension (upper thread) Regulating Thumb Nut
32572	22586	Tension (upper thread) Releasing Disc
54988	22586	Tension (upper thread) Releasing Pin
54046	22586	Tension (upper thread) Releasing Shaft
54047	22586	Tension (upper thread) Releasing Shaft Crank with 624AL
59651	22586	Tension (upper thread) Releasing Shaft Crank Link
624AL	22586	Tension (upper thread) Releasing Shaft Crank Set Screw
316C	22586	Tension (upper thread) Releasing Shaft Stop Screw
1547J	22586	Tension (upper thread) Releasing Shaft Stop Screw Nut
50326C	22586	Tension (upper thread) Screw Stud
59539	22586	Tension (upper thread) Screw Stud 50326C with 51570C
59535	22586	Tension (upper thread) Spring
59537	22586	Tension (upper thread) Spring Bushing (large)
59538	22586	Tension (upper thread) Spring Bushing (small)
131696	22586	Tension (upper thread) Thread Guide
59270	22586	Thread (under) Eyelet
1423W	22586	Thread (under) Eyelet Screw

No.	Plate	Name
59276	22586	Thread (under) Protector
240F	22586	Thread (under) Protector Set Screw
59277	22581	Thread (under) Take-up (left)
59278	22581	Thread (under) Take-up (right)
190J	22581	Thread (under) Take-up Screw (2)
59280	22586	Thread (under) Take-up Staple
59281	22586	Thread (under) Take-up Staple Holder with 904AL
59282	22586	Thread (under) Take-up Staple Holder Collar with 460AL
460AL	22586	Thread (under) Take-up Staple Holder Collar Set Screw
59283	22586	Thread (under) Take-up Staple Holder Collar Spring
236F	22586	Thread (under) Take-up Staple Holder Collar Spring Screw
904AL	22586	Thread (under) Take-up Staple Set Screw
59284	22586	Thread (under) Take-up Stripper
59285	22586	Thread (under) Take-up Stripper Bracket with 240F
140050C	22586	Thread (under) Take-up Stripper Bracket Screw
207F	22586	Thread (under) Take-up Stripper Screw
59677	22585	Thread (upper) Eyelet (side of arm)
50014AL	22585	Thread (upper) Eyelet (side of arm) Set Screw
59678	22585	Thread (upper) Take-up with 460AL
460AL	22585	Thread (upper) Take-up Set Screw
59665	22583	Throat Plate for 59640
59661	22584	Throat Plate Packing (left) with 59292
59292	22584	Throat Plate Packing (left) Position Stud
1149AL	22584	Throat Plate Packing (left) Screw
59662	22584	Throat Plate Packing (right)
1149AL	22584	Throat Plate Packing (right) Screw
1011F	22583	Throat Plate Screw (2)
59294	22584	Throat Plate Steady Pin

SINGER Needles should be used
in **SINGER** Machines
These Needles and their Containers
are marked with the
Company's Trade Mark "SIMANCO.**" 1

Needles in Containers marked
"FOR SINGER MACHINES"
are NOT **SINGER** made needles. 2

ACCESSORIES

No.	Plate	Name
120344	22588	Oiler (copper plated) with 120345
120345	22588	Oiler Spout, 4-1/2 in. long
26026	22588	Screw Driver (large)
26485	22588	Screw Driver (small)
120341	22588	Tweezers (curved)
4822	22588	Wrench for 1547
8908	22588	Wrench
19079	22588	Wrench

FITTINGS

FOR HEAVY OVERALL WORK

59687	22587	Feed Dog, 11 teeth (6 teeth to the inch)
59645	22587	Presser Foot Plate
59652	22587	Presser Foot Plate Hinge Stud (2)
665J	22587	Presser Foot Plate Hinge Stud Position Screw (2)
59646	22587	Presser Foot Shank
59688	22587	Presser Foot Yielding Heel
59689	22587	Presser Foot Yielding Heel Connection with 62527
62527	22587	Presser Foot Yielding Heel Connection Hinge Pin
8282	22587	Presser Foot Yielding Heel Connection Spring (lower)
39443	22587	Presser Foot Yielding Heel Connection Spring (upper)
62527	22587	Presser Foot Yielding Heel Connection Spring Position Pin
62527	22587	Presser Foot Yielding Heel Hinge Pin
59690	22587	Presser Foot (triple hinged) complete, Nos. 8282, 39443, 59645, 59646, 59688, 59689 and two each 665J, 59652 and 62527
59691	22587	Throat Plate

FOOT LIFTER PARTS

13351	22589	Chain, 46 in. to 55 in. long, with 56864 and 56865
		NOTE: When ordering No. 13351, state length required.
4879	22589	Chain Connecting Link
56864	22589	Chain Hook (large)
56865	22589	Chain Hook (small)
4881	22589	Treadle
4882	22589	Treadle Shaft
4883	22589	Treadle Spring
4884	22589	Treadle Stand
4885	22589	Treadle complete, Nos. 4879, 4881, 4882, 4883, 4884 and two wood screws 1 in. No. 16

HEMMER ON SHANK

(Adjustable)

121544	22584	Hemmer on Shank
121545	22584	Hemmer Plate
217J	22584	Hemmer Plate Screw (2)
7071	22584	Hemmer Plate Screw Washer (2)
121543	22584	Hemmer on Shank (adjustable) complete, Nos. 121544, 121545 and two each 217J and 7071
190J	22584	Hemmer Screw (2)
7071	22584	Hemmer Screw Washer (2)

KNEE LIFTER PARTS

No.	Plate	Name
32040	22589	Chain, 12-3/4 in. long, with 56864 and 56865
56864	22589	Chain Hook (large)
56865	22589	Chain Hook (small)
59679	22586	Lifting Lever
59680	22586	Lifting Lever Extension
190J	22586	Lifting Lever Extension Screw (2)
21D	22586	Lifting Lever Hinge Screw
59681	22586	Lifting Lever Spring
59511	22586	Lifting Lever Stop
219J	22586	Lifting Lever Stop Screw
7124	22589	Rock Shaft
2764	22589	Rock Shaft Hanger (back) with two wood screws 1 in. No. 10
16128	22589	Rock Shaft Hanger (front) with two wood screws 1 in. No. 10
16646	22589	Rock Shaft Knee Arm with 1509J
16647	22589	Rock Shaft Knee Arm complete, Nos. 2766, 2767 and 16646
2766	22589	Rock Shaft Knee Arm Hub with 356C
356C	22589	Rock Shaft Knee Arm Hub Set Screw
1509J	22589	Rock Shaft Knee Arm Lock Nut
2767	22589	Rock Shaft Knee Arm Plate with 356C
356C	22589	Rock Shaft Knee Arm Plate Set Screw
6337	22589	Rock Shaft Lifting Bracket with two 356C
6338	22589	Rock Shaft Lifting Bracket Hook
356C	22589	Rock Shaft Lifting Bracket Hook Set Screw
356C	22589	Rock Shaft Lifting Bracket Set Screw
32134	22589	Rock Shaft Spring
2770	22589	Rock Shaft Spring Adjusting Dog with 140219C
140219C	22589	Rock Shaft Spring Adjusting Dog Set Screw
2770	22589	Rock Shaft Stop Dog with 140219C (2)
140219C	22589	Rock Shaft Stop Dog Set Screw (2)
32135	22589	Rock Shaft complete, Nos. 2764, 6337, 6338, 7124, 16128, 16647, 32134, and three 2770
59682	22589	Knee Lifter complete, Nos. 21D, 219J, 32040, 32135, 59511, 59679, 59680, 59681 and two 190J

MACHINE BASE

59697	22590	Machine Base
51081E	22590	Machine Base Bolt with 51581E, to fasten base to table (4)
51581E	22590	Machine Base Bolt Nut (4)
6055	22590	Machine Base Bolt Nut Washer (4)
59296	22590	Machine Base Cover
36006	22590	Machine Base Cover Friction Washer
100J	22590	Machine Base Cover Hinge Screw
840E	22590	Machine Base Screw (3)
59297	22590	Machine Cushion (felt) (3)
59698	22590	Machine Base complete, Nos. 100J, 36006, 59296, 59697, three each 840E, 59297 and four each 6055 and 51081E
59699	22590	Machine Base and Oil Drain Jar (swinging type) complete, Nos. 59698 and 131268

MACHINE BASE OIL DRAIN JAR

(Swinging Type)

No.	Plate	Name
131961	22590	Jar (glass)
131962	22590	Jar Cap
131188	22590	Jar Clamp
131217		Jar Clamp 131188 with 131189
131189	22590	Jar Clamp Lever
1247C	22590	Jar Clamp Lever Hinge Screw (2)
131265	22590	Nipple (long) (2)
131266	22590	Nipple (short)
131267	22590	Nipple Elbow (2)
131268	22590	Machine Base Oil Drain Jar (swinging type) complete, Nos. 131217, 131266, 131961, 131962 and two each 1247C, 131265 and 131267

THREAD UNWINDER

(For Two Spools or Two Large Cones of Thread)

228692	23289	Spool Pin (2)
201528X	23289	Spool Pin Nut (2)
228693	23289	Spool Pin Washer (2)
225257	23289	Spool Rest with 201018C and two each 201528X, 228692 and 228693
150203	23289	Spool Rest Cushion (felt) (2)
225388	23289	Spool Rest Rod
200383C	23289	Spool Rest Rod Set Screw
201018C	23289	Spool Rest Set Screw
259658	23289	Spool Stand with 200383C
225391	23289	Thread Guide (2)
201696J	23289	Thread Guide Lock Nut
225326	23289	Thread Guide Position Cup
225324	23289	Thread Guide Rod with 208AL and 225322
208AL	23289	Thread Guide Rod Screw
225322	23289	Thread Guide Rod Washer
225258	23289	Thread Unwinder complete, Nos. 201696J, 225257, 225324, 225326, 225388, 259658, two each 150203, 225391 and three wood screws 7/8 in. No. 12 F.H.
27739	23289	Thread Cone (wood) for large cones
225390	23289	Thread Cone Holder, for inverted cones

NOTE: Nos. 27739 and 225390 are used with, but not included in 225258.

NUMERICAL LIST OF PARTS

No.	Plate	Name
21D	22586	Knee Lifter Lifting Lever Hinge Screw for 59682
89F	22585	Presser Bar Lifter Hinge Screw
93AL	22585	Needle Bar Thread Retainer Screw for 59395
100J	22590	Machine Base Cover Hinge Screw for 59698
141E	22581	Needle Bar Lever Connecting Rod Cap (lower) Screw for 59603
175E	22585	Needle Bar Connecting Bracket Clamping Screw for 59672
176J	22581	Needle Bar Lever Connecting Rod Guide Bracket Screw
185X	22583	Presser Foot Screw
187E	22581	Needle Bar Lever Connecting Rod Guide Screw
190J	22581	Feed Lifting Eccentric Connection Bar Oil Tube Bracket Screw
190J	22584	Hemmer Screw
190J	22586	Knee Lifting Lever Extension Screw for 59682
190J	22581	Thread (under) Take-up Screw
193E	22585	Needle Bar Lever Connecting Rod Guide Stud Bracket Screw
207J	22581	Looper Carrier Driver Timing Screw
207F	22586	Thread (under) Take-up Stripper Screw
208AL	22585	Needle Bar Connecting Link Hinge Pin (lower) Set Screw for 59471
208AL	23289	Thread Unwinder Thread Guide Rod Screw for 225324
217J	22581	Feed Eccentric Clamping Washer Screw for 59495
217J	22584	Hemmer Plate Screw for 121543
219J	22586	Knee Lifter Lifting Lever Stop Screw for 59682
228J	22585	Needle Bar Thread Retainer Bracket Screw
236F	22586	Thread (under) Take-up Staple Holder Collar Spring Screw
240F	22586	Thread (under) Protector Set Screw for 59285
316C	22586	Tension (upper thread) Releasing Shaft Stop Screw
330J	22584	Looper Cover Screw for 59664
356C	22589	Knee Lifter Rock Shaft Knee Arm Hub Set Screw for 2766
356C	22589	Knee Lifter Rock Shaft Knee Arm Plate Set Screw for 2767
356C	22589	Knee Lifter Rock Shaft Lifting Bracket Hook Set Screw for 6337
356C	22589	Knee Lifter Rock Shaft Lifting Bracket Set Screw for 6337
391E	22585	Presser Bar Lifting Bracket Adjusting Screw for 59505
424C	22581	Machine Driving Pulley Set Screw for 59686
448AL	22581	Arm Rotary Shaft Bushing (front) Set Screw
448AL	22581	Needle Bar Lever Connecting Rod Eccentric Set Screw for 59636
448AL	22585	Needle Bar Lever Hinge Pin Set Screw for 59471
449AL	22582	Feed Bar Carrier Hinge Pin Set Screw for 59669
449AL	22582	Feed Eccentric Connection Bar Set Screw for 59669
457AL	22582	Feed Bar Carrier Hinge Pin Bushing Set Screw
457AL	22584	Looper Cover Holder Sleeve Set Screw for 59231
457AL	22585	Needle Bar Bushing (lower) Set Screw
457AL	22585	Needle Bar Bushing (upper) Set Screw
457AL	22585	Presser Bar Bushing (lower) Set Screw
457AL	22585	Presser Bar Bushing (upper) Set Screw
458AL	22582	Feed Bar Hinge Pin Set Screw for 59667
460AL	22585	Needle Bar Connecting Link Hinge Pin (upper) Set Screw for 59672
460AL	22586	Thread (under) Take-up Staple Holder Collar Set Screw for 59282
460AL	22585	Thread (upper) Take-up Set Screw for 59678
465AL	22585	Needle Bar Lever Hinge Pin Bushing (front) Set Screw
465AL	22585	Slack Thread Regulator Holder Crank Set Screw for 59268
465AL	22585	Slack Thread Regulator Set Screw for 59267

No.	Plate	Name	No.
596J	22583	Feed Dog Screw	8908
624AL	22585	Needle Bar Lever Hinge Pin Bushing (back) Set Screw	10107
624AL	22585	Presser Bar Lifting Bracket Guide Set Screw	12002
624AL	22586	Tension (upper thread) Releasing Shaft Crank Set Screw for 54047	13351
647E	22581	Needle Bar Lever Connecting Rod Cap (upper) Screw for 59603	22589
665J	22583	Presser Foot Plate Hinge Stud Position Screw for 59649 and 59690	16128
840E	22590	Machine Base Screw for 59698	16646
882AL	22582	Feed Bar Hinge Pin Bushing (left) Set Screw for 59669	16647
882AL	22582	Feed Bar Hinge Pin Bushing (right) Set Screw for 59669	
882AL	22582	Feed Lifting Eccentric Connection Bar Set Screw for 59667	17718
904AL	22586	Thread (under) Take-up Staple Set Screw for 59281	19079
1011F	22583	Throat Plate Screw	26026
1072F	22585	Needle Set Screw for 59683	26485
1143AL	22582	Looper Carrier Shaft Crank Clamping Screw for 59227	27739
1143AL	22585	Presser Bar Lifting Bracket Set Screw for 59505	
1149AL	22584	Throat Plate Packing (left) Screw	32040
1149AL	22584	Throat Plate Packing (right) Screw	
1186E	22582	Looper Carrier Driver Clamping Screw for 59224	32134
1247C	22590	Machine Base Oil Drain Jar Clamp Lever Hinge Screw for 131268	32135
1299AL	22581	Needle Bar Lever Connecting Rod Eccentric Position Screw for 59636	32572
1317D	22586	Pressure Regulating Thumb Screw	36006
1354C	22581	Machine Driving Pulley Position Screw for 59686	39443
1423J	22581	Arm Side Cover Screw	39443
1423W	22586	Thread (under) Eyelet Screw	40247
1509J	22589	Knee Lifter Rock Shaft Knee Arm Lock Nut for 16646	40247
1547J	22586	Pressure Regulating Thumb Screw Lock Nut	
1547J	22586	Tension (upper thread) Releasing Shaft Stop Screw Nut	42077
1602E	22584	Looper Cover Screw Bushing for 59663	42253
2089	22581	Needle Bar Lever Connecting Rod Oil Pad Pin for 59603	42483
2102	22586	Tension (under thread) Disc	42727
2102	22586	Tension (upper thread) Disc	50014AL
2764	22589	Knee Lifter Rock Shaft Hanger (back) with two wood screws 1 in. No. 10, for 32135	50138E
2766	22589	Knee Lifter Rock Shaft Knee Arm Hub with 356C, for 16647	50150AL
2767	22589	Knee Lifter Rock Shaft Knee Arm Plate with 356C, for 16647	50300E
2770	22589	Knee Lifter Rock Shaft Spring Adjusting Dog with 140219C, for 32135	50326C
2770	22589	Knee Lifter Rock Shaft Stop Dog with 140219C, for 32135	50326C
4822	22588	Wrench for 1547 (Accessories)	50328C
4879	22589	Foot Lifter Chain Connecting Link for 4885	50395AL
4881	22589	Foot Lifter Treadle for 4885	50554AL
4882	22589	Foot Lifter Treadle Shaft for 4885	50554AL
4883	22589	Foot Lifter Treadle Spring for 4885	51061AL
4884	22589	Foot Lifter Treadle Stand for 4885	51081E
4885	22589	Foot Lifter Treadle complete, Nos. 4879, 4881, 4882, 4883, 4884 and two wood screws 1 in. No. 16	
6055	22590	Machine Base Bolt Nut Washer for 59698	51192E
6337	22589	Knee Lifter Rock Shaft Lifting Bracket with two 356C, for 32135	51407AL
6338	22589	Knee Lifter Rock Shaft Lifting Bracket Hook for 32135	51570C
7071	22581	Feed Eccentric Clamping Washer for 59495	51570C
7071	22584	Hemmer Plate Screw Washer for 121543	51581E
7071	22584	Hemmer Screw Washer	51810
7124	22589	Knee Lifter Rock Shaft for 32135	51811
8282	22587	Presser Foot Yielding Heel Connection Spring (lower) for 59690	51815

No.	Plate	Name
22588		Wrench (Accessories)
22585		Needle Bar Thread Retainer Spring for 59395
22582		Feed Eccentric Connection Oil Wick Retaining Pin for 59216
13351	22589	Foot Lifter Chain, 46 in. to 55 in. long, with 56864 and 56865
		NOTE: When ordering No. 13351, state length required.
16128	22589	Knee Lifter Rock Shaft Hanger (front) with two wood screws 1 in. No. 10, for 32135
16646	22589	Knee Lifter Rock Shaft Knee Arm with 1509J, for 16647
16647		Knee Lifter Rock Shaft Knee Arm complete, for 32135, Nos. 2766, 2767 and 16646
17718	22585	Needle Bar Thread Retainer Bracket Screw Washer
19079	22588	Wrench (Accessories)
26026	22588	Screw Driver (large) Accessories
26485	22588	Screw Driver (small) Accessories
27739	23289	Thread Unwinder Thread Cone (wood) for large cones
		NOTE: No. 27739 is used with, but not included in 225258.
32040	22589	Knee Lifter Chain, 12-3/4 in. long, with 56864 and 56865, for 59682
32134	22589	Knee Lifter Rock Shaft Spring for 32135
32135	22589	Knee Lifter Rock Shaft complete, for 59682, Nos. 2764, 6337, 6338, 7124, 16128, 16647, 32134 and three 2770
32572	22586	Tension (upper thread) Releasing Disc
36006	22590	Machine Base Cover Friction Washer for 59698
39443	22583	Presser Foot Yielding Heel Connection Spring for 59649
39443	22587	Presser Foot Yielding Heel Connection Spring (upper) for 59690
40247	22585	Needle Bar Connecting Link Hinge Pin (lower) for 59684
40247	22585	Needle Bar Connecting Link Hinge Pin (upper) for 59684
42077	22581	Needle Bar Lever Connecting Rod Guide
42253	22585	Presser Bar Bushing (upper)
42483	22585	Needle Bar Thread Retainer Disc for 59395
42727	22581	Feed Lifting Eccentric Position Pin
50014AL	22585	Thread (upper) Eyelet (side of arm) Set Screw
50138E	22585	Presser Bar Lifter Stop Screw
50150AL	22581	Feed Lifting Eccentric Set Screw for 59513
50300E	22584	Looper Cover Lock Stud Spring Cap Screw
50326C	22586	Tension (under thread) Screw Stud for 59539
50326C	22586	Tension (upper thread) Screw Stud for 59539
50328C	22581	Feed Regulating Screw for 59495
50395AL	22582	Looper Set Screw for 59381
50554AL	22581	Arm Rotary Shaft Bushing (back) Set Screw
50554AL	22581	Arm Rotary Shaft Bushing (intermediate) Set Screw
51061AL	22581	Feed Eccentric Body Set Screw for 59495
51081E	22590	Machine Base Bolt with 51581E, to fasten base to table, for 59698
51192E	22586	Tension (upper thread) Bracket Screw
51407AL	22585	Needle Bar Lever Connecting Rod Ball Stud Set Screw for 59471
51570C	22586	Tension (under thread) Regulating Thumb Nut for 59539
51570C	22586	Tension (upper thread) Regulating Thumb Nut for 59539
51581E	22590	Machine Base Bolt Nut for 51081E
51810	22585	Presser Bar Spring Roller and Stud for 59505
51811	22585	Slack Thread Regulator Holder Crank Roller and Stud for 59505
51815	22585	Presser Bar Lifter Roller and Stud for 59505
52045	22581	Arm Rotary Shaft Bushing (back) Packing (wick) for 59610
52045	22581	Arm Rotary Shaft Bushing (front) Packing (wick) for 59524
52045	22581	Arm Rotary Shaft Bushing (intermediate) Packing (wick) for 59613

NUMERICAL LIST OF PARTS

No.	Plate	Name
54046	22586	Tension (upper thread) Releasing Shaft
54047	22586	Tension (upper thread) Releasing Shaft Crank with 624AL
54969	22581	Needle Bar Lever Connecting Rod Eccentric Oil Pad for 59603
54988	22586	Tension (upper thread) Releasing Pin
56864	22589	Foot Lifter Chain Hook (large) for 13351
56864	22589	Knee Lifter Chain Hook (large) for 32040
56865	22589	Foot Lifter Chain Hook (small) for 13351
56865	22589	Knee Lifter Chain Hook (small) for 32040
57234	22582	Feed Bar Carrier Hinge Pin
57235	22582	Feed Bar Carrier Hinge Pin Bushing
59216	22582	Feed Eccentric Connection with 12002 and 139110, for 59517
59217	22582	Feed Eccentric Connection Bar with 59218
59218	Feed Eccentric Connection Bar Plug for 59217
59218	Feed Lifting Eccentric Connection Bar Plug for 59221
59220	22582	Feed Lifting Eccentric Connection for 59514
59221	22582	Feed Lifting Eccentric Connection Bar with 59218
59224	22582	Looper Carrier Driver with two 1186E
59225	22582	Looper Carrier Hole Plug
59226	22582	Looper Carrier Shaft
59227	22582	Looper Carrier Shaft Crank with 1143AL
59230	22584	Looper Cover Holder for 59664
59231	22584	Looper Cover Holder Sleeve with 457AL
59232	22584	Looper Cover Lock Stud
59233	22584	Looper Cover Lock Stud Spring
59237	22585	Needle Bar Connecting Link for 59684
59240	22581	Needle Bar Lever Connecting Rod Ball Stud for 59604
59245	22585	Needle Bar Lever Connecting Rod Guide Stud for 59246
59246	22585	Needle Bar Lever Connecting Rod Guide Stud Bracket with 59245
59247	22585	Needle Bar Lever Hinge Pin
59248	22585	Needle Bar Lever Hinge Pin Bushing (back)
59249	22585	Needle Bar Lever Hinge Pin Bushing (front)
59266	22585	Slack Thread Regulator
59267	22585	Slack Thread Regulator Holder with 465AL
59268	22585	Slack Thread Regulator Holder Crank with two 465AL
59270	22586	Thread (under) Eyelet
59273	22581	Needle Bar Lever Connecting Rod Guide Bracket
59276	22586	Thread (under) Protector
59277	22581	Thread (under) Take-up (left)
59278	22581	Thread (under) Take-up (right)
59280	22586	Thread (under) Take-up Staple
59281	22586	Thread (under) Take-up Staple Holder with 904AL
59282	22586	Thread (under) Take-up Staple Holder Collar with 460AL
59283	22586	Thread (under) Take-up Staple Holder Collar Spring
59284	22586	Thread (under) Take-up Stripper
59285	22586	Thread (under) Take-up Stripper Bracket with 240F
59292	22584	Throat Plate Packing (left) Position Stud for 59661
59294	22584	Throat Plate Steady Pin
59296	22590	Machine Base Cover for 59698
59297	22590	Machine Cushion (felt) for 59698
59368	22585	Presser Bar Lifter
59381	22582	Looper Carrier with 50395AL
59394	22585	Needle Bar Thread Retainer Bracket for 59395
59395	Needle Bar Thread Retainer complete, Nos. 93AL, 10107, 59394 and two 42483
59469	22585	Needle Bar Bushing (upper)
59471	22585	Needle Bar Lever with 208AL, 448AL and 51407AL, for 59684
59472	22585	Presser Bar Bushing (lower)
59487	22583	Looper
59491	22581	Arm Rotary Shaft

NUMERICAL LIST OF PARTS

No.	Plate	Name
59495	22581	Feed Eccentric (adjustable) complete, for 59517, Nos. 217J, 7071, 50328C, 130337 and two 51061AL
59505	22585	Presser Bar Lifting Bracket with 391E, 1143AL, 51810, 51811 and 51815
59506	22585	Presser Bar Lifting Bracket Guide
59511	22586	Knee Lifter Lifting Lever Stop for 59682
59513	22581	Feed Lifting Eccentric with two 50150AL, for 59514
59514	Feed Lifting Eccentric 59513 with 59220
59517	Feed Eccentric 59495 with 59216
59524	22581	Arm Rotary Shaft Bushing (front) with 52045
59534	22586	Tension (under thread) Spring
59535	22586	Tension (upper thread) Spring
59537	22586	Tension (under thread) Spring Bushing (large)
59537	22586	Tension (upper thread) Spring Bushing (large)
59538	22586	Tension (under thread) Spring Bushing (small)
59538	22586	Tension (upper thread) Spring Bushing (small)
59539	Tension (under thread) Screw Stud 50326C with 51570C
59539	Tension (upper thread) Screw Stud 50326C with 51570C
59544	22585	Presser Bar
59603	22581	Needle Bar Lever Connecting Rod with 2089, 54969 and two each 141E and 647E, for 59604
59604	Needle Bar Lever Connecting Rod 59603 with 59240 and 59636
59606	Needle Bar Lever Connecting Rod Eccentric Lubricating Pad (wood) for 59636
59609	Arm Rotary Shaft Bushing (back) for 59610
59610	22581	Arm Rotary Shaft Bushing (back) 59609 with 52045 and 59611
59611	Arm Rotary Shaft Bushing (back) Oil Wick (braided cotton) for 59610
59612	Arm Rotary Shaft Bushing (intermediate) for 59613
59613	22581	Arm Rotary Shaft Bushing (intermediate) 59612 with 52045 and 128571
59617	22582	Feed Bar Hinge Pin Bushing (left) for 59670
59618	22582	Feed Bar Hinge Pin Bushing (right) for 59670
59629	22581	Arm Side Cover with 59631 and 132555
59631	22581	Arm Side Cover Oil Tube Oil Cup for 59629
59631	22581	Feed Lifting Eccentric Connection Bar Oil Tube Oil Cup for 59635
59635	22581	Feed Lifting Eccentric Connection Bar Oil Tube with Bracket complete, Nos. 59631 and 130901
59636	22581	Needle Bar Lever Connecting Rod Eccentric with 448AL, 1299AL and two 59606, for 59604
*59637	Arm, upper and lower (solid)
59640	22583	Feed Dog, 8 teeth (6 teeth to the inch) for 59665
59645	22583	Presser Foot Plate for 59649 and 59690
59646	22583	Presser Foot Shank for 59649 and 59690
59647	22583	Presser Foot Yielding Heel for 59649
59648	22583	Presser Foot Yielding Heel Connection with 62527, for 59649
59649	22583	Presser Foot (triple hinged) complete, Nos. 39443, 59645, 59646, 59647, 59648 and two each 665J, 59652 and 62527
59650	22586	Tension (upper thread) Bracket
59651	22586	Tension (upper thread) Releasing Shaft Crank Link
59652	22583	Presser Foot Plate Hinge Stud for 59649 and 59690
59661	22584	Throat Plate Packing (left) with 59292
59662	22584	Throat Plate Packing (right)
59663	22584	Looper Cover with two 1602E, for 59664
59664	22584	Looper Cover complete, Nos. 59230, 59663 and two 330J
59665	22583	Throat Plate for 59640
59666	22585	Needle Bar Bushing (lower)

NUMERICAL LIST OF PARTS

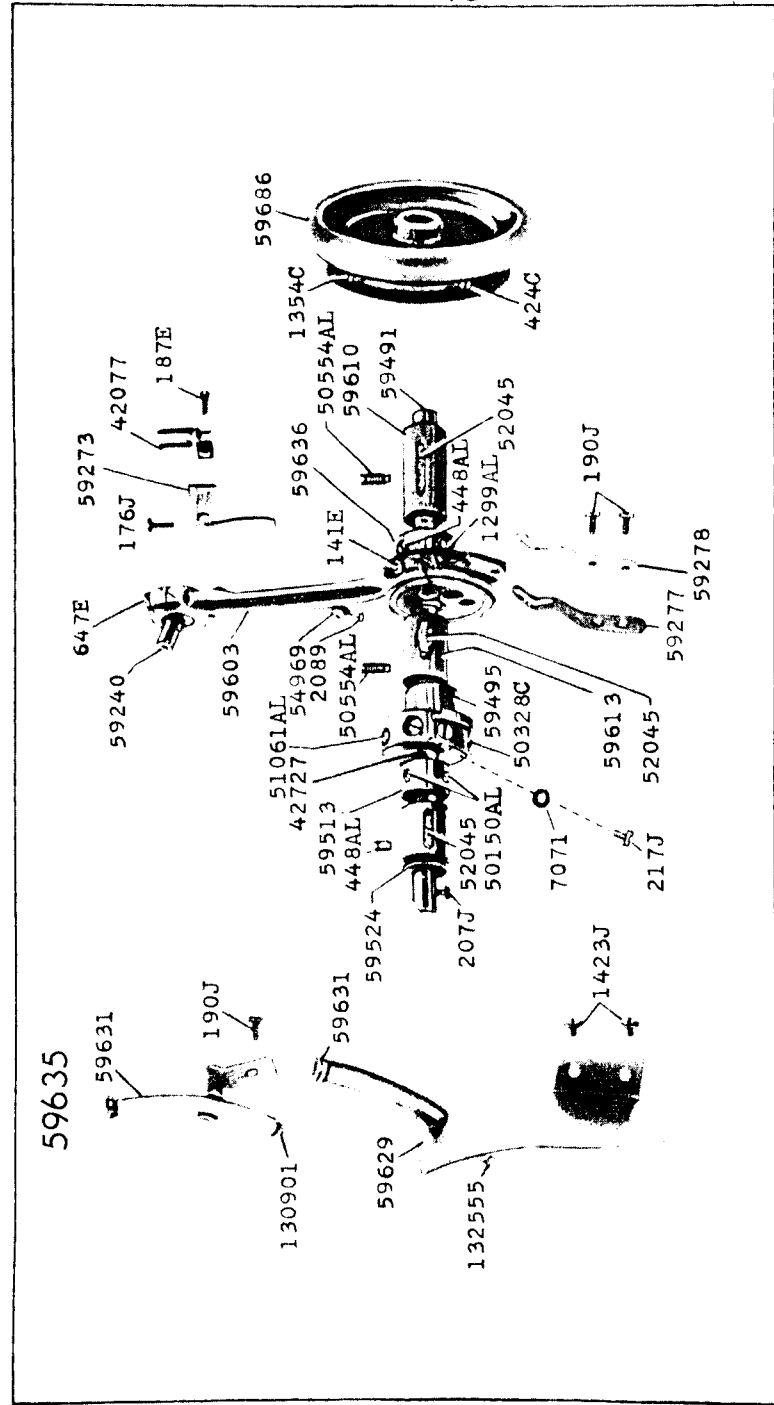
No.	Plate	Name
59667	22582	Feed Bar with two each 458AL and 882AL, for 59668
59668	Feed Bar 59667 with 59670 and 59671
59669	22582	Feed Bar Carrier with two 882AL and four 449AL, for 59670
59670	Feed Bar Carrier 59669 with 59617 and 59618, for 59668
59671	22582	Feed Bar Hinge Pin for 59668
59672	22585	Needle Bar Connecting Bracket with 175E and 460AL, for 59684
59673	22582	Needle Guard (movable)
59674	22582	Needle Guard Clamp
59675	22586	Presser Bar Spring
59676	22586	Presser Bar Spring Block
59677	22585	Thread (upper) Eyelet (side of arm)
59678	22585	Thread (upper) Take-up with 460AL
59679	22586	Knee Lifter Lifting Lever for 59682
59680	22586	Knee Lifter Lifting Lever Extension for 59682
59681	22586	Knee Lifter Lifting Lever Spring for 59682
59682	Knee Lifter complete, Nos. 21D, 219J, 32040, 32135, 59511, 59679, 59680, 59681 and two 190J
59683	22585	Needle Bar (hollow) with 1072F
59684	Needle Bar Lever 59471 with 59237, 59672 and two 40247
59686	22581	Machine Driving Pulley, "V" belt groove (outside diam. of belt groove 2.9 in.) with 424C, and 1354C
59687	22587	Feed Dog, 11 teeth (6 teeth to the inch) for 59691, for heavy overall work
59688	22587	Presser Foot Yielding Heel for 59690
59689	22587	Presser Foot Yielding Heel Connection with 62527, for 59690
59690	22587	Presser Foot (triple hinged) complete, for heavy overall work, Nos. 8282, 39443, 59645, 59646, 59688, 59689 and two each 665J, 59652 and 62527
59691	22587	Throat Plate for 59687, for heavy overall work
59697	22590	Machine Base for 59698
59698	22590	Machine Base complete, for 59699, Nos. 100J, 36006, 59296, 59697, three each 840E, 59297 and four each 6055 and 51081E
59699	22590	Machine Base and Oil Drain Jar (swinging type) complete, Nos. 59698 and 131268
62527	22583	Presser Foot Yielding Heel Connection Hinge Pin for 59649 and 59690
62527	22583	Presser Foot Yielding Heel Connection Spring Position Pin for 59648 and 59689
62527	22583	Presser Foot Yielding Heel Hinge Pin for 59649 and 59690
120341	22588	Tweezers (curved) Accessories
120344	22588	Oiler (copper plated) with 120345 (Accessories)
120345	22588	Oiler Spout, 4-1/2 in. long, for 120344
121543	22584	Hemmer on Shank (adjustable) complete, Nos. 121544, 121545 and two each 217J and 7071
121544	22584	Hemmer on Shank for 121543
121545	22584	Hemmer Plate for 121543
128571	Arm Rotary Shaft Bushing (intermediate) Oil Wick (braided cotton) for 59613
130337	Feed Eccentric Lubricating Pad (wood) for 59495
130901	22581	Feed Lifting Eccentric Connection Bar Oil Tube Oil Pad (wick) for 59635
131188	22590	Machine Base Oil Drain Jar Clamp for 131217
131189	22590	Machine Base Oil Drain Jar Clamp Lever for 131217
131217	Machine Base Oil Drain Jar Clamp 131188 and 131189, for 131268
131265	22590	Machine Base Oil Drain Jar Nipple (long) for 131268

NUMERICAL LIST OF PARTS

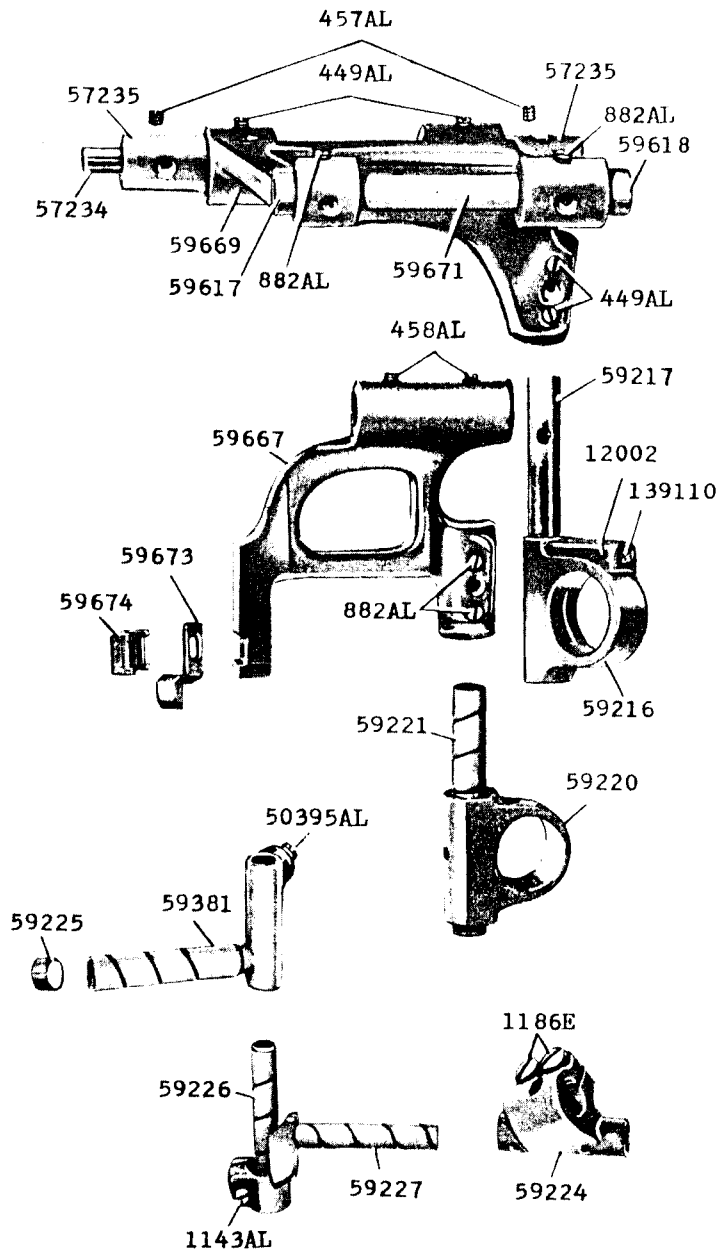
No.	Plate	Name
131266	22590	Machine Base Oil Drain Jar Nipple (short) for 131268
131267	22590	Machine Base Oil Drain Jar Nipple Elbow for 131268
131268	22590	Machine Base Oil Drain Jar (swinging type) complete, for 59699, Nos. 131217, 131266, 131961, 131962 and two each 1247C, 131265 and 131267
131696	22586	Tension (under thread) Thread Guide
131696	22586	Tension (upper thread) Thread Guide
131961	22590	Machine Base Oil Drain Jar (glass) for 131268
131962	22590	Machine Base Oil Drain Jar Cap for 131268
132555	22581	Arm Side Cover Oil Tube Oil Pad (braided cotton) for 59629
139110	22582	Feed Eccentric Connection Oil Wick for 59216
140050C	22586	Thread (under) Take-up Stripper Bracket Screw
140219C	22589	Knee Lifter Rock Shaft Spring Adjusting Dog Set Screw for 2770
140219C	22589	Knee Lifter Rock Shaft Stop Dog Set Screw for 2770
150203	23289	Thread Unwinder Spool Rest Cushion (felt) for 225258
200383C	23289	Thread Unwinder Spool Rest Rod Set Screw for 259658
201018C	23289	Thread Unwinder Spool Rest Set Screw for 225257
201528X	23289	Thread Unwinder Spool Pin Nut for 225257
201696J	23289	Thread Unwinder Thread Guide Lock Nut for 225258
225257	23289	Thread Unwinder Spool Rest with 201018C and two each 201528X, 228692 and 228693, for 225258
225258	23289	Thread Unwinder complete, for two spools or two large cones of thread, Nos. 201696J, 225257, 225324, 225326, 225388, 259658, two each 150203, 225391 and three wood screws 7/8 in. No. 12 F.H.
225322	23289	Thread Unwinder Thread Guide Rod Washer for 225324
225324	23289	Thread Unwinder Thread Guide Rod with 208AL and 225322, for 225258
225326	23289	Thread Unwinder Thread Guide Position Cup for 225258
225388	23289	Thread Unwinder Spool Rest Rod for 225258
225390	23289	Thread Unwinder Thread Cone Holder, for inverted cones
225391	NOTE: No. 225390 is used with, but not included in 225258.	Thread Unwinder Thread Guide for 225258
259658	23289	Thread Unwinder Thread Guide for 225258
228692	23289	Thread Unwinder Spool Stand with 200383C, for 225258
228693	23289	Thread Unwinder Spool Pin for 225257
228693	23289	Thread Unwinder Spool Pin Washer for 225257

SINGER Needles should be used
 in **SINGER** Machines
 These Needles and their Containers
 are marked with the
 Company's Trade Mark "SIMANCO.**" 1

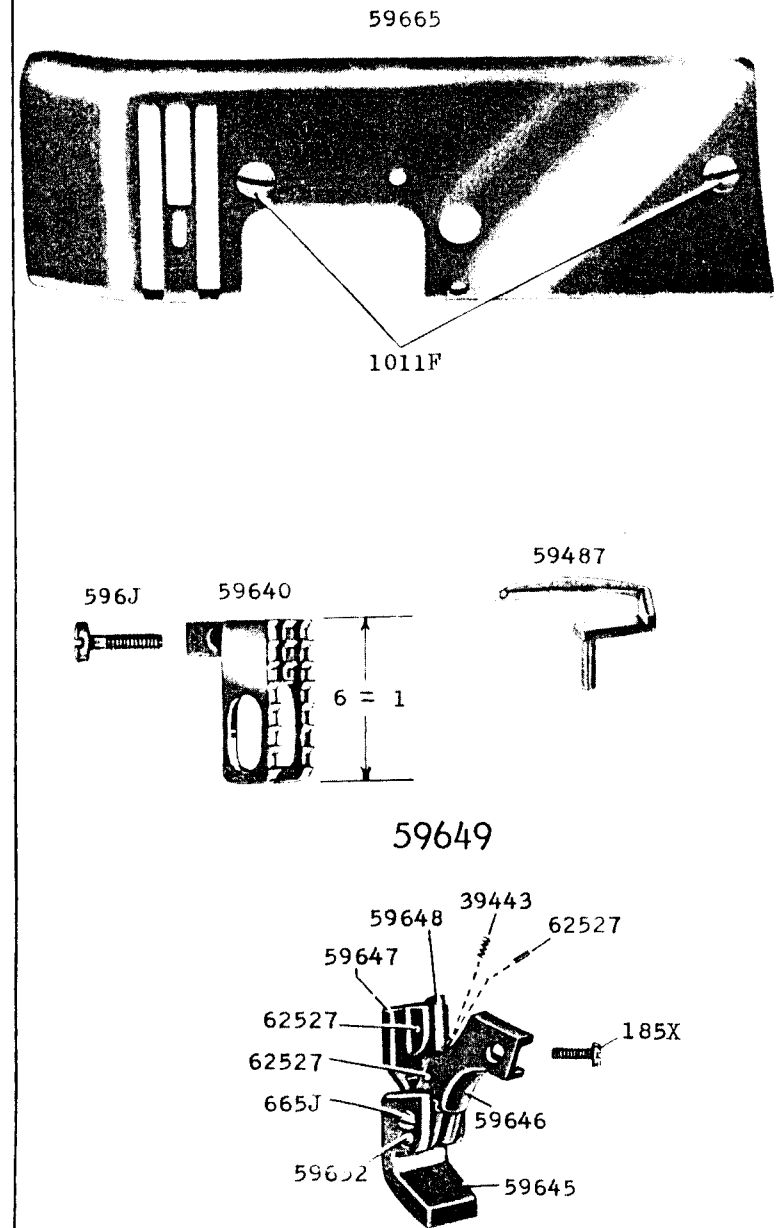
Needles in Containers marked
 "FOR SINGER MACHINES"
 are **NOT SINGER** made needles. 2



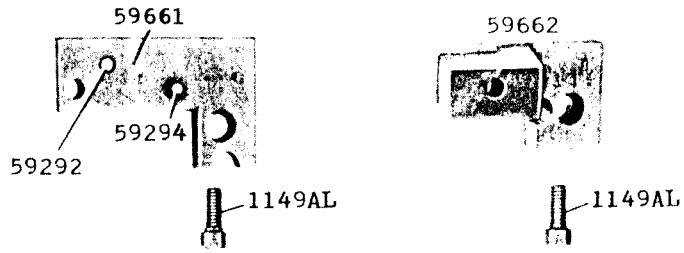
22582-1/2



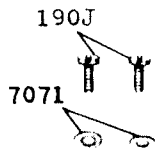
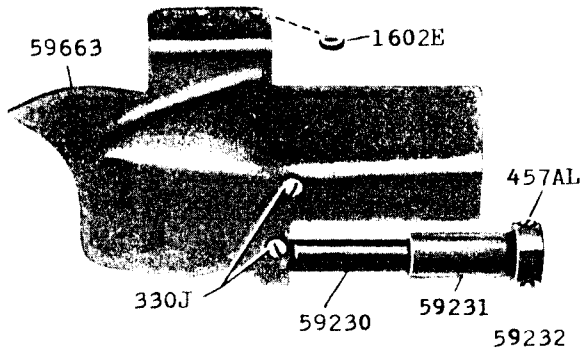
22583-2/3



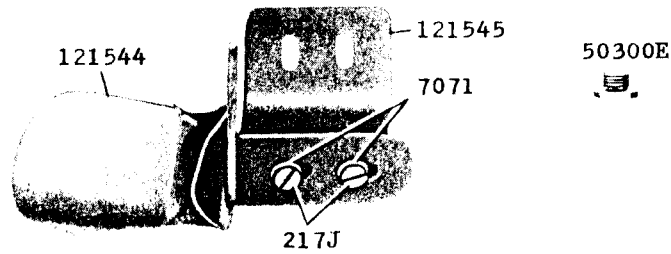
22584-1/2



59664



121543

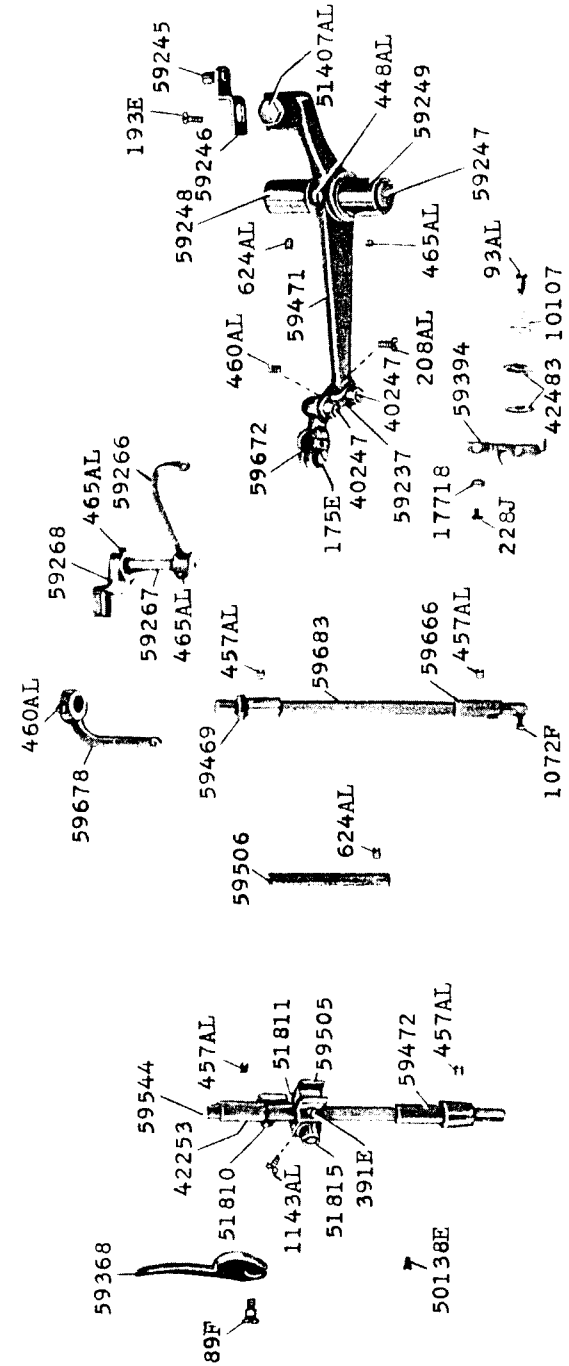


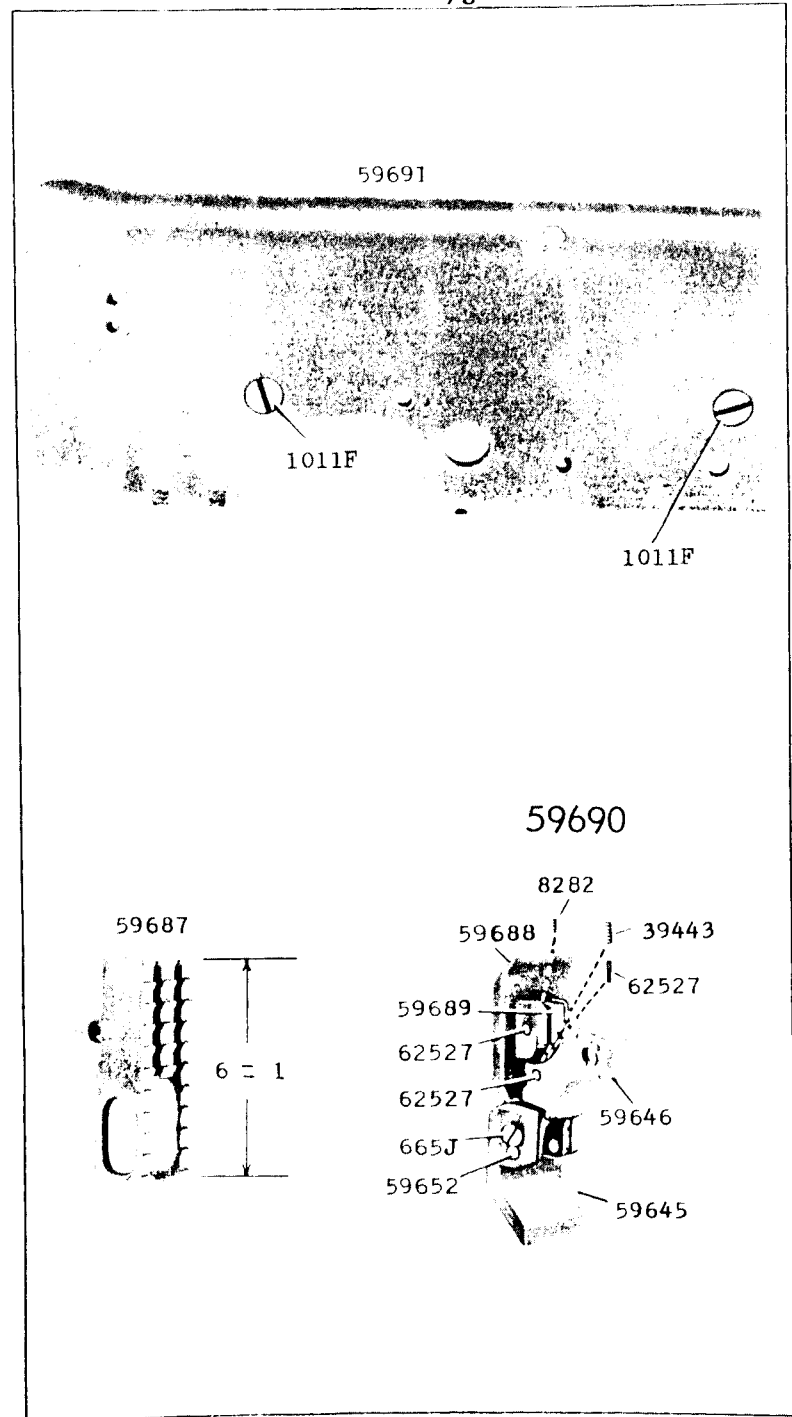
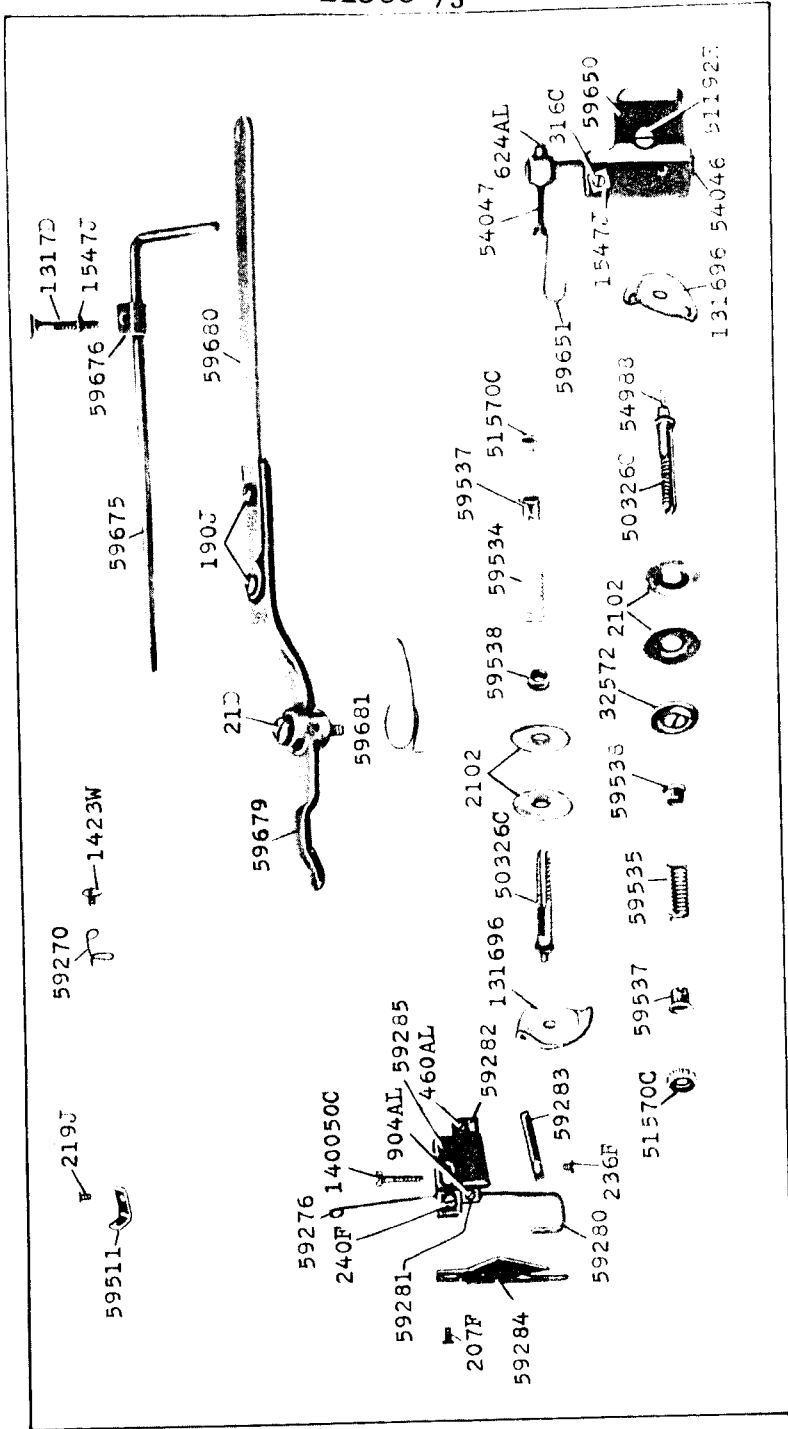
59232

59233

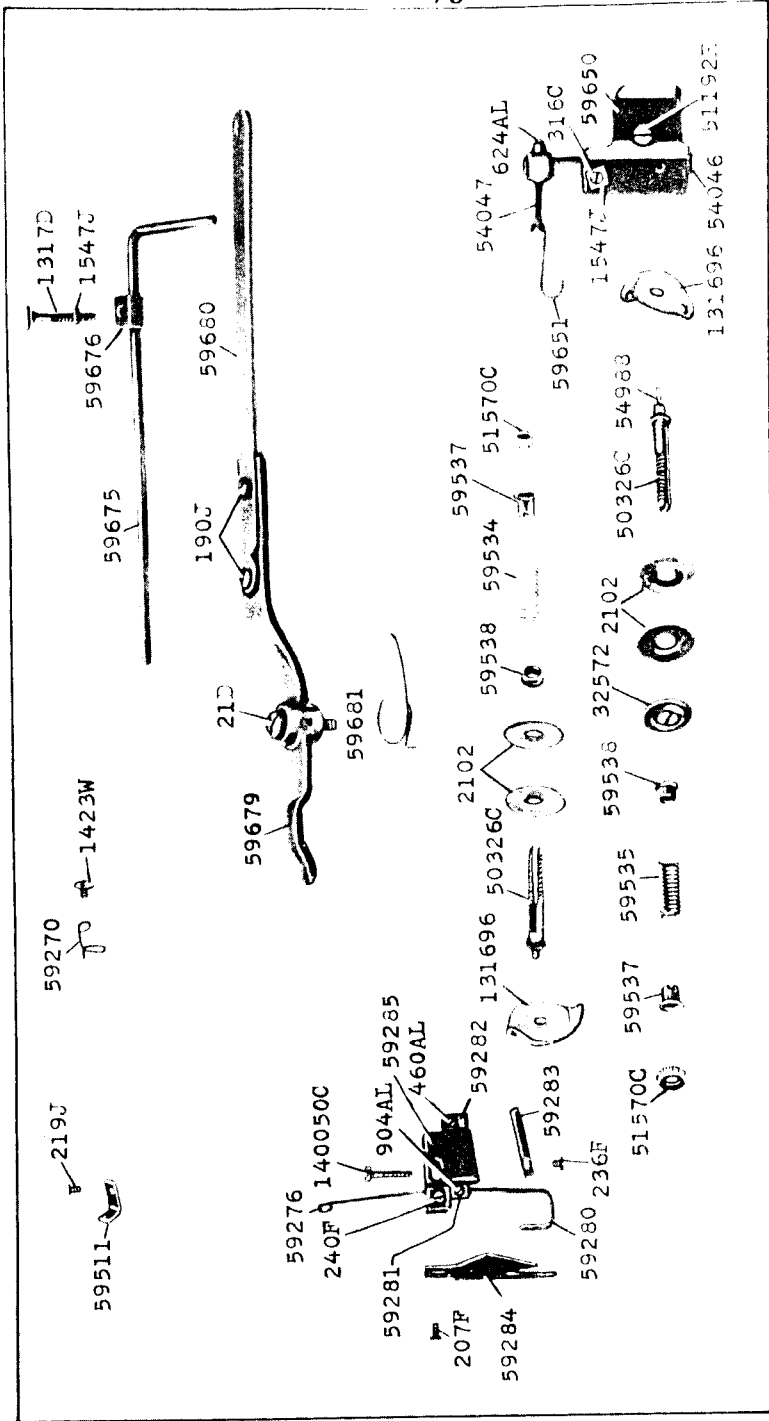
50300E

22585-1/3

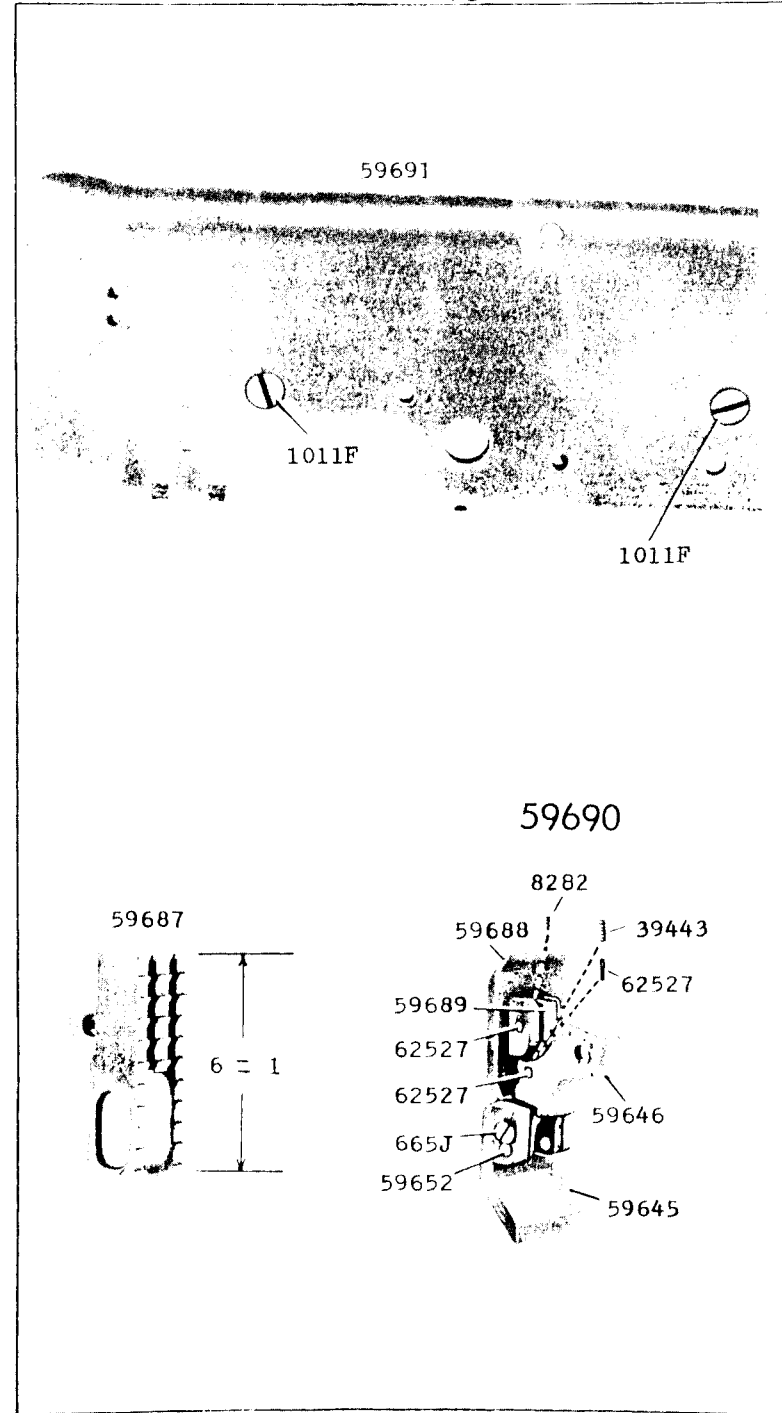




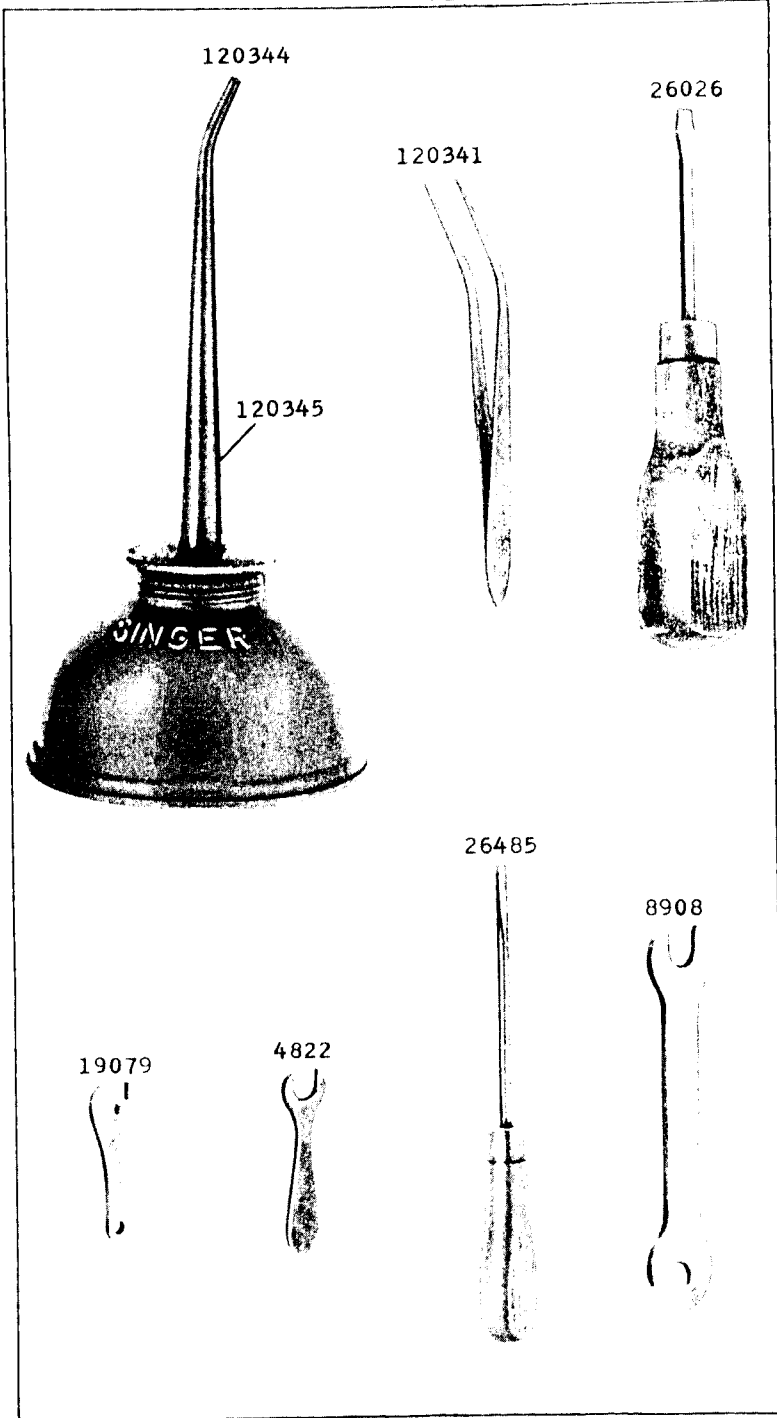
22586-1/3



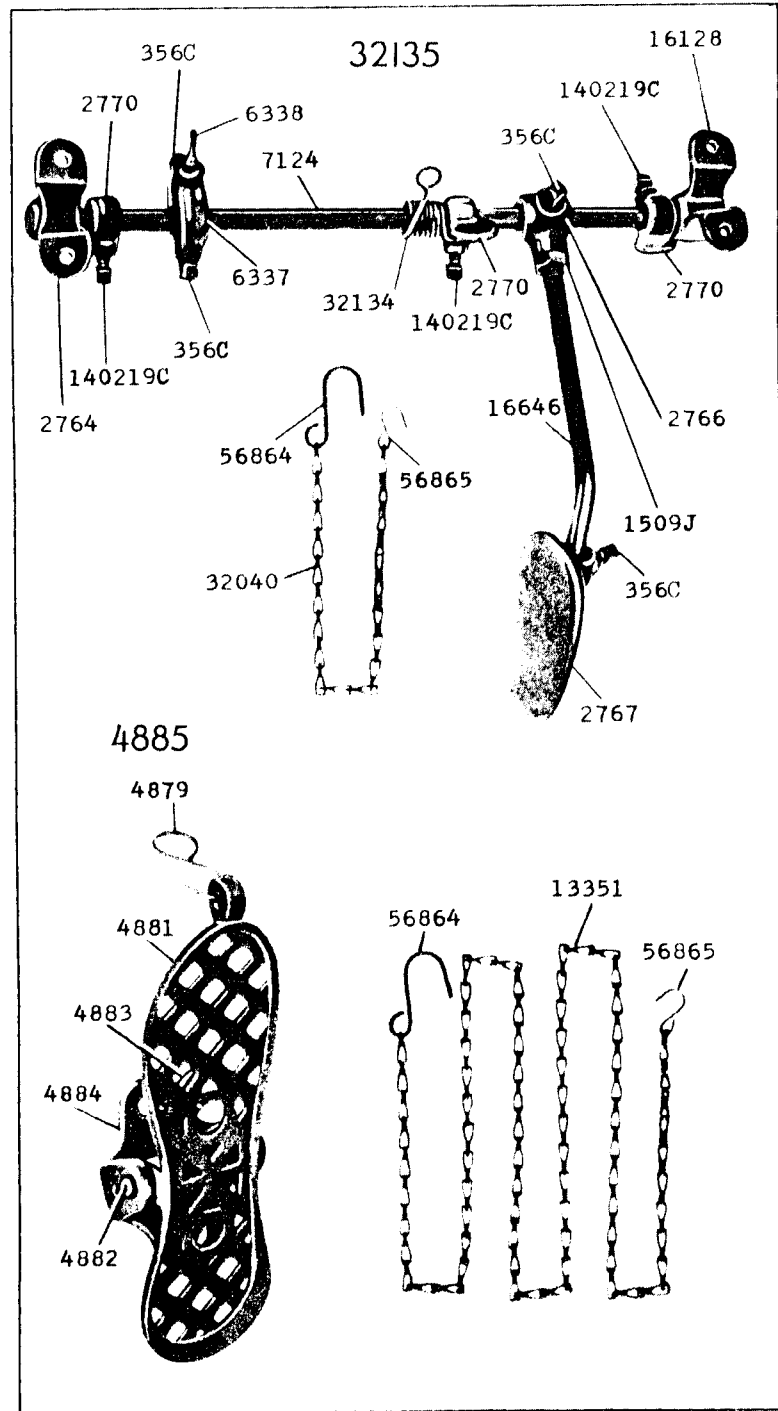
22587-2/3



22588-1/2



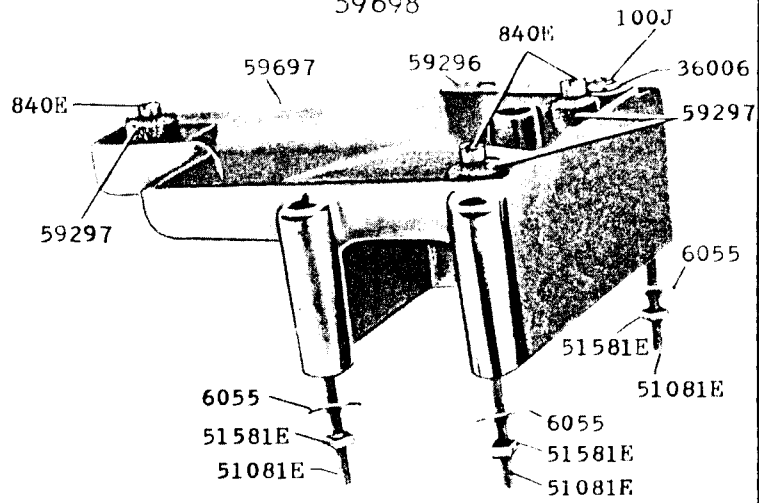
22589-1/4



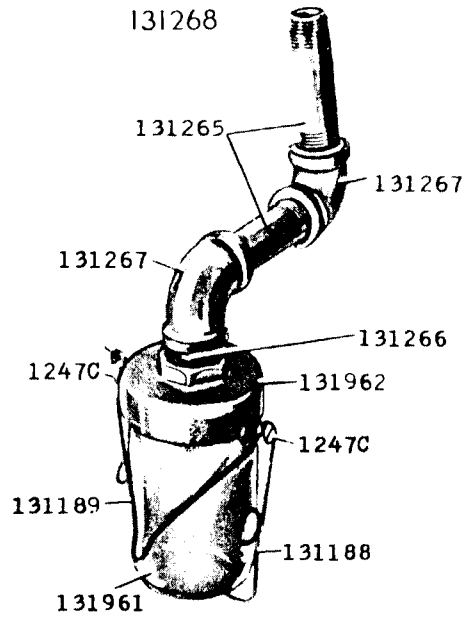
22590-1/4

59699

59698



131268



23289 - 1/4

225258

201696J

225391

225322

225326

225391

225324

208AL

225388

150203

150203

228692

225257

201018C

228693

201528X

27739

225390

259658

200383C

