

FORM 8053--REVISED  
JUNE, 1935  
PRINTED IN U. S. A.

# LIST OF PARTS



## MACHINES

Nos. 81-2, 81-5 and 81-13

---

\*\* A TRADE MARK OF  
THE SINGER MANUFACTURING COMPANY

# INSTRUCTIONS FOR OILING

---

To ensure easy running and prevent unnecessary wear of the parts which are in movable contact, the machine requires oiling and when in continuous use, "TYPE B" or "TYPE D" OIL, sold only by Singer Sewing Machine Company, should be applied at least twice each day to all oil holes marked "OIL", as instructed in Form 18194.

"TYPE D" OIL is stainless.

# INDEX

---

	PAGE
ACCESSORIES.....	30
BENCH STAND.....	31
FOOT LIFTER PARTS.....	31
KNEE LIFTER PARTS.....	32
KNIFE GRINDER.....	32
MACHINE No. 81-2.....	7
MACHINE No. 81-5.....	16
MACHINE No. 81-13.....	24
MACHINE BASE.....	31
NUMERICAL LIST OF PARTS.....	37
OBSOLETE PARTS.....	34
THREAD UNWINDER.....	33

Copyright, U. S. A.,  
1913, 1916, 1918, 1922, 1923 and 1935,  
by The Singer Manufacturing Co.  
All Rights Reserved for all Countries

## INSTRUCTIONS FOR ORDERING

In ordering from this list, use **ONLY** the part NUMBER in the **FIRST** column.

The number stamped on a Sewing Machine Part is in every case the number of the single part only.

Every combination of parts sent out as such has its specific number, which, although not stamped on the parts, must be used when ordering the combination.

Each number always indicates the **SAME PART** in whatever list it appears, or for whatever machine.

The letters after some of the numbers indicate the style of finish only, as follows:

- A—Hardened, Polished, Nickel Plated and Buffed
- B—Polished, Nickel Plated and Buffed
- C—Hardened Only
- D—Polished Only
- E—Soft, Not Polished
- F—Hardened and Polished
- H—Blued
- J—Nickel Plated Only
- K—Hardened and Nickel Plated
- L—Brass Plated
- M—Oxidized
- N—Japanned, Dull
- P—Japanned, Bright
- R—Merlized
- T—Copper Plated
- T. A.—Hardened, Polished, Copper and Nickel Plated and Buffed
- T. B.—Copper and Nickel Plated and Polished
- T. J.—Copper and Nickel Plated Only
- T. K.—Hardened, Copper and Nickel Plated
- T. M.—Copper Plated and Oxidized
- T. L.—Copper and Brass Plated
- U—Zinc Plated
- V—Silver Plated
- W—Polished and Nickel Plated
- Y—Black Nickel Plated Only
- Z—Chromium Plated
- Z. B.—Polished, Nickel Plated, Buffed and Chromium Plated
- Z. J.—Nickel and Chromium Plated

These letters **MUST BE USED** when they appear in the list; and **AFTER** the number **as** in the list.

In this series:

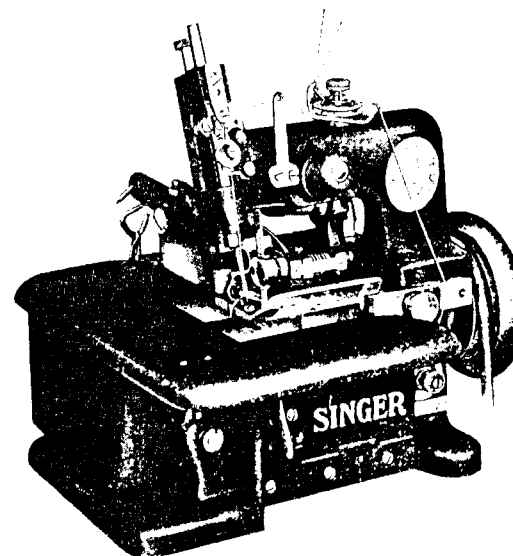
1 to 1500, 50001 to 51500 and 140001 to 142000 are Screw Numbers  
 1501 to 1800 and 51501 to 51800 are Nut Numbers  
 1801 to 2000 and 51801 to 52000 are Roller Numbers  
 2001 to 50000 and 52001 to 190000 are Sewing Machine Parts, 190001 and upward are numbers of Electrical Parts.

The figures in the second column refer only to the plates, illustrating the parts, and are **NOT TO BE USED** in ordering.

Parts marked with an asterisk (\*) are furnished only when repairs are made at factory.

## LIST OF PARTS COMPLETE

FOR



## MACHINE No. 81-2

FOR TRIMMING AND OVEREDGING FLANNELS, MUSLINS, DENIMS AND OTHER FABRICS; INSERTING SLEEVES IN SHIRT WAISTS. WRAPPERS, ETC. ALSO STITCHING POCKETS INTO TROUSERS. BIGHT ADJUSTABLE FROM  $\frac{1}{8}$  TO  $\frac{1}{2}$  IN. THREE THREAD STITCH. FOOT LIFTER.

NO.	PLATE	NAME
*42484	---	Arm with 15404 and two each 462c, 624c, 15405, 42253 and 42487.....
4389	5543	Arm Dowel Pin.....
949e	5562	" Screw .....
42001	5576	Balance Wheel, 2 $\frac{1}{8}$ in. pulley, with 424c and 1354c .....
1354c	5562	Balance Wheel Position Screw .....
424c	5562	" " Set Screw .....

NO.	PLATE	NAME
42002	5526	Cloth Plate .....
42107	---	Cloth Plate complete, Nos. 42002, 42003, 42005, 42108, two 236c and five 229e .....
42003	5526	Cloth Plate Extension (lower) ....
229e	5562	" " " " Screw
42108	5526	" " " (upper) ....
229e	5562	" " " " Screw
1437d	5562	" " Hinge Screw .....
1655e	5562	" " " " Nut .....
42005	5526	" " Lock Spring .....
236c	5562	" " " " Screw .....
42006	5529	Feed Bar with 1253c .....
42007	5529	" " Hinge Pin .....
1253c	5529	" " " " Set Screw ...
42008	5529	" Connecting Rod with two 1057e
1057e	5529	" " " Cap Screw ...
1373c	5529	" " " Hinge Screw ..
1520c	5529	" " " " " Nut
42109	5531	" Dog, 24 teeth (16 teeth to the inch) for 42129 and 42134 .....
42165	5592	Feed Dog, 24 teeth (16 teeth to the inch) for 42171, for sewing very heavy pockets in trousers .....
190d	5556	Feed Dog Screw .....
42011	5529	" Eccentric with two 453c .....
42094	5526	" " Cover .....
207f	5529	" " " Screw .....
453c	5529	" " Set Screw .....
42208	5596	" Lifting Eccentric with two 462c
42013	5529	" " " Connection ..
462c	5529	" " " Set Screw ..
1374c	5530	" Regulating Screw Stud .....
1680c	5530	" " " " Nut ..
42290	5530	" " " " Washer
42014	5530	" Regulator with 233j and two 1259c .....
42015	5529	Feed Regulator Connection with 1012e .....
1012e	5529	Feed Regulator Connection Adjust- ing Screw .....
1373c	5529	Feed Regulator Connection Hinge Screw .....
1520c	5529	Feed Regulator Connection Hinge Screw Nut .....

NO.	PLATE	NAME
42016	5530	Feed Regulator Hinge Stud .....
42017	5529	" " Indicator .....
42018	5530	" " " Plate ....
337d	5530	" " " Screw
207f	5529	" " " Screw ...
1259c	5530	" " Set Screw .....
233j	5530	" " Stop Screw .....
42019	5530	" Rock Shaft .....
42020	---	Feed Rock Shaft complete, Nos. 42019 and 42021 .....
42021	5530	Feed Rock Shaft Crank with 157e ..
157e	5530	" " " " Clamping Screw
42098	5530	Feed Rock Shaft Hinge Pin .....
42079	5530	" " " " " Bushing
1036c	5530	" " " " " "
		Set Screw .....
*42022	---	Frame .....
42023	5576	" Rotary Shaft .....
42024	5576	" " " Bushing (front)
1036c	5530	" " " " " "
		Set Screw .....
42110	5545	Frame Rotary Shaft Crank with 1036c and 1375c .....
1375c	5553	Frame Rotary Shaft Crank Position Screw .....
1036c	5530	Frame Rotary Shaft Crank Set Screw .....
42026	5576	Frame Rotary Shaft Flanged Bush- ing (back) with 54967 .....
54967	5596	Frame Rotary Shaft Flanged Bush- ing (back) Oil Pad (braided cotton)
1036c	5530	Frame Rotary Shaft Flanged Bush- ing (back) Set Screw .....
42367	5596	Frame Rotary Shaft Front Bearing Oil Pad (braided cotton) .....
42027	5593	Frame Side Cover (left) with 132701
132701	20788	" " " " Handle ...
330d	5562	" " " " Screw ....
42028	5526	" " " (right, hinged) ..
42101	5543	" " " Lock Spring
330d	5562	" " " " Screw .....
42029	5576	" Top Cover .....
132650	20788	" " " Extension .....
42102	5543	" " " " Holder
283j	5543	" " " " "
		Thumb Screw .....

NO.	PLATE	NAME
2749	5543	Frame Top Cover Extension Holder Thumb Screw Washer .....
176D	5543	Frame Top Cover Extension Screw..
742F	5562	" " " Screw .....
42111	5542	Knife (movable) for light work ....
42213	5560	" " " heavy work ..
Note: Two No. 42213 are sent with this Machine.		
42112	5542	Knife (movable) Gib for 42113 .....
42214	5560	" " " " 42215 .....
42035	5542	" " Holder .....
42113	—	" " " 42035 with 133F, 42037, 42040, 42112 and two 404D, for 42111 .....
42215	—	Knife (movable) Holder 42035 with 133F, 42040, 42214, 42216 and two 404D, for 42213 .....
42037	5542	Knife (movable) Holder Cap for 42113 .....
42216	5560	Knife (movable) Holder Cap for 42215 .....
404D	5542	Knife (movable) Holder Cap Screw
42038	5542	" " " Guide with 336F .....
42039	5542	Knife (movable) Holder Guide Plate
621D	5542	" " " " " " Screw .....
336F	5542	Knife (movable) Holder Guide Set Screw .....
133F	5542	Knife (movable) Holder Screw ....
42040	5542	" " " " " " Exten- sion Pin .....
42041	5542	Knife (movable) Holder Spring ....
42042	5542	" " Lever .....
42217	5560	" " " Connection with 42218 and two 175E .....
42218	—	Knife (movable) Lever Connection Cap .....
175E	5542	Knife (movable) Lever Connection Cap Screw .....
1373c	5529	Knife (movable) Lever Connection Hinge Screw .....
1520c	5529	Knife (movable) Lever Connection Hinge Screw Nut .....
42045	5542	Knife (movable) Lever Hinge Stud
1229c	5542	" " " " " " Set Screw .....

NO.	PLATE	NAME
42046	5543	Knife (stationary) with 42049 .....
Note: Two No. 42046 are sent with this Machine.		
42048	5543	Knife (stationary) Clamping Stud
1534D	5543	" " " " Thumb Nut .....
132766	20788	Knife (stationary) Holder .....
1376c	5543	" " " Regulating Thumb Screw .....
1101c	5543	Knife (stationary) Holder Screw ...
440F	5543	" " " Stop Screw
1547J	5543	" " " " " " Nut .....
42049	5543	Knife (stationary) Stud .....
42114	5554	Looper (left hand) .....
42051	5553	" " " Lever with 209H
42052	5553	" " " " Connecting Link .....
50562c	7396	Looper (left hand) Lever Connecting Link Hinge Screw .....
1520c	5529	Looper (left hand) Lever Connecting Link Hinge Screw Nut .....
42053	5553	Looper (left hand) Lever Hinge Stud
1036c	5530	" " " " " " " Set Screw .....
209H	5553	Looper (left hand) Set Screw .....
42166	5553	" (right hand) .....
42073	5553	" " " and Spreader Lever with 1259c .....
42074	5553	Looper (right hand) and Spreader Lever Ball Stud .....
1259c	5530	Looper (right hand) and Spreader Lever Ball Stud Set Screw .....
42075	5553	Looper (right hand) and Spreader Lever Connection with four 896E..
896E	7396	Looper (right hand) and Spreader Lever Connection Cap (lower) Screw .....
896E	7396	Looper (right hand) and Spreader Lever Connection Cap (upper) Screw .....
42077	5554	Looper (right hand) and Spreader Lever Connection Guide .....
171F	5554	Looper (right hand) and Spreader Lever Connection Guide Screw ..
42106	5554	Looper (right hand) and Spreader Lever Connection Oil Tube and Bracket with 29599 .....

NO.	PLATE	NAME
29599	5554	Looper (right hand) and Spreader Lever Connection Oil Tube Packing (felt) .....
42078	5554	Looper (right hand) and Spreader Lever Hinge Pin .....
42079	5530	Looper (right hand) and Spreader Lever Hinge Pin Bushing .....
1259c	5530	Looper (right hand) and Spreader Lever Hinge Pin Bushing Set Screw .....
197D	5554	Looper (right hand) Screw .....
42054	5544	Needle Bar .....
42253	5544	" " Bushing .....
462c	5529	" " " Set Screw ....
42061	5544	" " Connecting Bracket with 187D and 223F .....
187D	5544	Needle Bar Connecting Bracket Clamping Screw .....
42055	5544	Needle Bar Connecting Link .....
40247	5544	" " " " Hinge Pin .....
223F	5544	Needle Bar Connecting Link Hinge Pin Set Screw .....
904c	5544	Needle Bar Connecting Link Hinge Pin Set Screw for 42104 .....
42057	5544	Needle Bar Connecting Rod with four 896E .....
896E	7396	Needle Bar Connecting Rod Cap (lower) Screw .....
896E	7396	Needle Bar Connecting Rod Cap (upper) Screw .....
42077	5554	Needle Bar Connecting Rod Guide
171F	5554	" " " " " " Screw .....
42103	5544	Needle Bar Crank (back) with 1258c and two 1259c .....
42074	5553	Needle Bar Crank (back) Ball Stud
1259c	5530	" " " " " " Set Screw .....
1259c	5530	Needle Bar Crank (back) Position Screw .....
1258c	5544	Needle Bar Crank (back) Set Screw
42104	5544	" " " (front) with 904c, 1258c and 1259c .....
1259c	5530	Needle Bar Crank (front) Position Screw .....

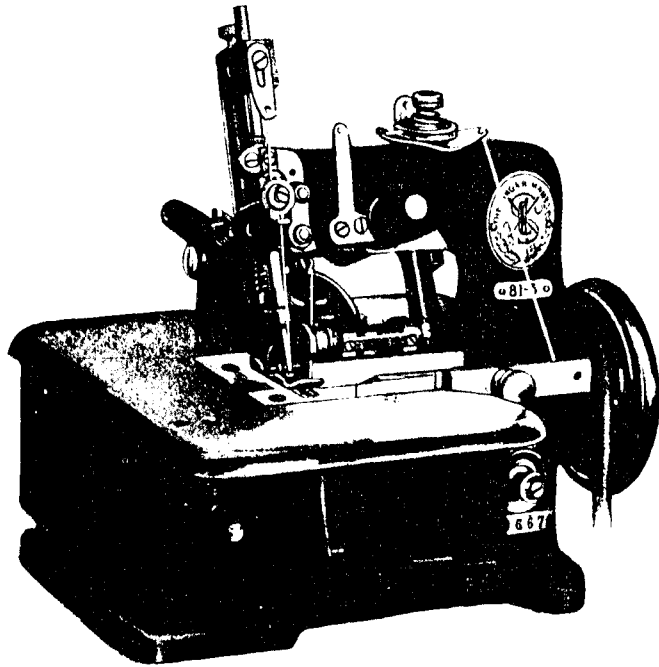
NO.	PLATE	NAME
1258c	5544	Needle Bar Crank (front) Set Screw
42105	5544	" " " Shaft .....
42487	20788	" " " " Bushing ..
624c	20800	" " " " " Set Screw .....
42115	5544	Needle Bar Thread Retainer Bracket
228D	5544	" " " " " Screw .....
42483	20788	Needle Bar Thread Retainer Disc ..
93c	5544	" " " " Screw
10107	5544	" " " " Spring.
1728c	20800	" Clamping Nut .....
42066	5544	" Guard .....
171F	5544	" " Screw .....
42138	-----	Presser Foot Body .....
42172	5592	" " Chaining-off Finger, for 1/8 in. bight .....
42117	5592	Presser Foot Chaining-off Finger, for 1/4 in. bight .....
42118	5592	Presser Foot Chaining-off Finger, for 3/8 in. bight .....
42119	5592	Presser Foot Chaining-off Finger, for 1/2 in. bight .....
233D	5530	Presser Foot Chaining-off Finger Screw .....
42120	5592	Presser Foot Extension .....
197F	5554	" " " Screw ....
42116	5592	Presser Foot complete, for sewing in sleeves, for 42109, Nos. 197F, 233D, 42118, 42120 and 42138 ....
42168	5592	Presser Foot Chaining-off Finger ...
233D	5530	" " " " Screw
42120	5592	" " Extension .....
197F	5554	" " " Screw ....
62527	20800	" " Hinge Pin .....
42167	-----	" " Plate .....
42169	-----	" " Shank .....
42170	5592	Presser Foot (hinged) complete for 42165, Nos. 197F, 233D, 42120, 42167 to 42169 and 62527 .....
1324c	5545	Presser Foot Screw .....
39541	5545	" " " Washer .....
42069	5545	" Lever .....
42045	5542	" " Hinge Stud .....
1120c	5545	" " " " Set Screw
42070	5545	" " Lifter .....
85D	5545	" " " Hinge Screw .
1377c	5545	" " Screw Stud (eccentric) .....

NO.	PLATE	NAME
1547J	5543	Presser Lever Screw Stud Nut ....
42071	5545	" " Spring .....
1378D	5545	Pressure Regulating Thumb Screw
132631	20788	Spreader .....
197D	5554	" Screw .....
2102	5556	Tension (looper, left hand) Disc ...
1560C	5556	" " " " Regulat- ing Thumb Nut .....
828C	5556	Tension (looper, left hand) Screw Stud .....
42121	5556	Tension (looper, left hand) Spring..
2102	5556	" (looper, right hand) Disc ..
1560C	5556	" " " " Regulat- ing Thumb Nut .....
828C	5556	Tension (looper, right hand) Screw Stud .....
10148	5556	Tension (looper, right hand) Spring
17547	5556	" " " " Thread Guide .....
2102	5556	Tension (needle thread) Disc .....
1560C	5556	" " " " Regulating Thumb Nut .....
916C	5556	Tension (needle thread) Screw Stud
8238	5556	" " " Spring ....
2103	5556	" " " " used in sewing very heavy pockets in trousers .....
42082	5556	Tension (needle thread) Thread Guide .....
42242	7396	Thread (looper, left hand) Eyelet
233D	5530	" " " " " Screw .....
42122	5554	Thread (looper, left hand) Nipper Spring (lower) .....
42123	5554	Thread (looper, left hand) Nipper Spring (upper) .....
176F	5543	Thread (looper, left hand) Nipper Spring Screw .....
42124	5597	Thread (looper, left hand) Pull-off
42125	5597	" " " " " Eyelet .....
233D	5530	Thread (looper, left hand) Pull-off Screw .....
42084	5556	Thread (looper, left hand) Tube ...
462C	5529	" " " " " Set Screw .....

NO.	PLATE	NAME
42126	5597	Thread (looper, right hand) Pull-off
42093	5556	" " " " Staple
190D	5556	" " " " " Screw .....
42127	5556	Thread (looper, right hand) Take-up
197F	5554	" " " " " Screw .....
42096	5556	Thread (needle) Eyelet .....
217J	5556	" " " Screw ....
42128	5597	" " Take-up .....
197F	5554	" " " Screw ...
42129	5531	Throat Plate, for $\frac{1}{4}$ in., $\frac{3}{8}$ in. and $\frac{1}{2}$ in. bight, for 42109 .....
42134	5531	Throat Plate, for $\frac{1}{8}$ in. bight, for 42109 .....
42171	5592	Throat Plate for 42165 .....
742F	5562	" " Screw .....
*15404	—	Trade Mark .....
15405	—	" " Rivet .....

## LIST OF PARTS COMPLETE

FOR



## MACHINE No. 81-5

FOR TRIMMING AND OVEREDGING FABRICS UP TO  $\frac{1}{8}$  IN. THICK; ALSO FOR CLOSING POCKETS AND STITCHING OVER HEAVY SEAMS IN TROUSERS. BIGHT ADJUSTABLE FROM  $\frac{3}{32}$  TO  $\frac{7}{32}$  IN. THREE-THREAD STITCH. FOOT LIFTER.

NO.	PLATE	NAME
*42485	—	Arm with 15404 and two each 462c, 624c, 15405, 42253 and 42487 ....
4389	5543	Arm Dowel Pin .....
949E	5562	" Screw .....
42001	5576	Balance Wheel, 2 $\frac{3}{8}$ in. pulley, with 424c and 1354c .....

NO.	PLATE	NAME
1354c	5562	Balance Wheel Position Screw .....
424c	5562	" " Set Screw .....
42002	5526	Cloth Plate .....
42107	—	Cloth Plate complete, Nos. 42002, 42003, 42005, 42108, two 236c and five 229E .....
42003	5526	Cloth Plate Extension (lower) .....
229E	5562	" " " " Screw .....
42108	5526	" " " " (upper) .....
229E	5562	" " " " Screw .....
1437D	5562	" " Hinge Screw .....
1655E	5562	" " " " Nut .....
42005	5526	" " Lock Spring .....
236c	5562	" " " " Screw .....
42006	5529	Feed Bar with 1253c .....
42007	5529	" " Hinge Pin .....
1253c	5529	" " " " Set Screw .....
42008	5529	" Connecting Rod with two 1957E .....
1057E	5529	" " " " Cap Screw .....
1373c	5529	" " " " Hinge Screw .....
1520c	5529	" " " " " Nut .....
42207	5594	" Dog, 26 teeth (16 teeth to the inch) for 42228 .....
190D	5556	Feed Dog Screw .....
42011	5529	" Eccentric with two 453c .....
42094	5526	" " Cover .....
207F	5529	" " " " Screw .....
453c	5529	" " Set Screw .....
42208	5596	" Lifting Eccentric with two 462c .....
42013	5529	" " " " Connection .....
462c	5529	" " " " Set Screw .....
1374c	5530	" Regulating Screw Stud .....
1680c	5530	" " " " Nut .....
42290	5530	" " " " Washer .....
42014	5530	" Regulator with 233c and two 1259c .....
42015	5529	Feed Regulator Connection with 1012E .....
1012E	5529	Feed Regulator Connection Adjusting Screw .....
1373c	5529	Feed Regulator Connection Hinge Screw .....
1520c	5529	Feed Regulator Connection Hinge Screw Nut .....



NO.	PLATE	NAME
42016	5530	Feed Regulator Hinge Stud .....
42017	5529	" " Indicator .....
42018	5530	" " " Plate ....
337D	5530	" " " " Screw
207F	5529	" " " " Screw ...
1259C	5530	" " Set Screw .....
233J	5530	" " Stop Screw .....
42019	5530	" Rock Shaft .....
42020	---	Feed Rock Shaft complete, Nos. 42019 and 42021 .....
42021	5530	Feed Rock Shaft Crank with 157E..
157E	5530	" " " " Clamping Screw .....
42098	5530	Feed Rock Shaft Hinge Pin .....
42079	5530	" " " " " Bushing
1036C	5530	" " " " " "
		Set Screw .....
*42209	---	Frame .....
42266	5593	" Rotary Shaft .....
42024	5576	" " " Bushing (front)
1036C	5530	" " " " " "
		Set Screw .....
42211	5596	Frame Rotary Shaft Crank with 1036C and 1375C .....
1375C	5553	Frame Rotary Shaft Crank Position Screw .....
1036C	5530	Frame Rotary Shaft Crank Set Screw .....
42026	5576	Frame Rotary Shaft Flanged Bush- ing (back) with 54967 .....
54967	5596	Frame Rotary Shaft Flanged Bush- ing (back) Oil Pad (braided cotton)
1036C	5530	Frame Rotary Shaft Flanged Bush- ing (back) Set Screw .....
42367	5596	Frame Rotary Shaft Front Bearing Oil Pad (braided cotton) .....
42027	5593	Frame Side Cover (left) with 132701
132701	20788	" " " " Handle ...
330D	5562	" " " " Screw ....
42028	5526	" " " (right, hinged) ..
42101	5543	" " " " Lock Spring
330D	5562	" " " " Screw ....
42029	5576	" Top Cover .....
42212	5596	" " " Extension .....
42102	5543	" " " " Holder
283J	5543	" " " " "
		Thumb Screw .....

NO.	PLATE	NAME
2749	5543	Frame Top Cover Extension Holder Thumb Screw Washer .....
176D	5543	Frame Top Cover Extension Screw
742F	5562	" " " Screw .....
42213	5560	Knife (movable) .....
Note: Two No. 42213 are sent with this Machine.		
42214	5560	Knife (movable) Gib .....
42035	5542	" " " Holder .....
42215	---	" " " " 42035 with 133E, 42040, 42214, 42216 and two 404D .....
42216	5560	Knife (movable) Holder Cap .....
404D	5542	" " " " Screw
42038	5542	" " " " Guide with 336F .....
42039	5542	Knife (movable) Holder Guide Plate
621D	5542	" " " " "
		Screw .....
336F	5542	Knife (movable) Holder Guide Set Screw .....
133F	5542	Knife (movable) Holder Screw ....
42040	5542	" " " " " Exten- sion Pin .....
42041	5542	Knife (movable) Holder Spring ....
42042	5542	" " " Lever .....
42217	5560	" " " " Connection with 42218 and two 175E .....
42218	---	Knife (movable) Lever Connection Cap .....
175E	5542	Knife (movable) Lever Connection Cap Screw .....
1373C	5529	Knife (movable) Lever Connection Hinge Screw .....
1520C	5529	Knife (movable) Lever Connection Hinge Screw Nut .....
42045	5542	Knife (movable) Lever Hinge Stud
1229C	5542	" " " " " "
		Set Screw .....
42046	5543	Knife (stationary) with 42049 .....
Note: Two No. 42046 are sent with this Machine.		
42048	5543	Knife (stationary) Clamping Stud
1534D	5543	" " " " "
		Thumb Nut .....
132766	20788	Knife (stationary) Holder .....
1376C	5543	" " " " Regulating Thumb Screw .....

NO.	PLATE	NAME
1101c	5543	Knife (stationary) Holder Screw ...
440f	5543	" " " Stop Screw
1547J	5543	" " " " " "
		Nut .....
42049	5543	Knife (stationary) Stud .....
42219	5560	Looper (left hand) .....
42051	5553	" " " Lever with 209H
42052	5553	" " " " Connecting
		Link .....
50562c	7396	Looper (left hand) Lever Connecting
		Link Hinge Screw .....
1520c	5529	Looper (left hand) Lever Connecting
		Link Hinge Screw Nut .....
42053	5553	Looper (left hand) Lever Hinge Stud
1036c	5530	" " " " " "
		Set Screw .....
209H	5553	Looper (left hand) Set Screw .....
42220	5560	" (right hand) .....
42073	5553	" " " and Spreader
		Lever with 1259c .....
42221	5560	Looper (right hand) and Spreader
		Lever Ball Stud .....
1259c	5520	Looper (right hand) and Spreader
		Lever Ball Stud Set Screw .....
42075	5553	Looper (right hand) and Spreader
		Lever Connection with four 896E..
896E	7396	Looper (right hand) and Spreader
		Lever Connection Cap (lower)
		Screw .....
896E	7396	Looper (right hand) and Spreader
		Lever Connection Cap (upper)
		Screw .....
42077	5554	Looper (right hand) and Spreader
		Lever Connection Guide .....
171f	5554	Looper (right hand) and Spreader
		Lever Connection Guide Screw ..
42106	5554	Looper (right hand) and Spreader
		Lever Connection Oil Tube and
		Bracket with 29599 .....
29599	5554	Looper (right hand) and Spreader
		Lever Connection Oil Tube Pack-
		ing (felt) .....
42078	5554	Looper (right hand) and Spreader
		Lever Hinge Pin .....
42079	5530	Looper (right hand) and Spreader
		Lever Hinge Pin Bushing .....

NO.	PLATE	NAME
1259c	5530	Looper (right hand) and Spreader
		Lever Hinge Pin Bushing Set
		Screw .....
197D	5554	Looper (right hand) Screw .....
38534	5560	Needle Bar (hollow) .....
42253	5544	" " Bushing .....
462c	5529	" " " Set Screw ....
42291	5596	" " Connecting Bracket with
		223F and 1057D .....
1057D	5529	Needle Bar Connecting Bracket
		Clamping Screw .....
42055	5544	Needle Bar Connecting Link .....
40247	5544	" " " " Hinge
		Pin .....
223F	5544	Needle Bar Connecting Link Hinge
		Pin Set Screw for 42291 .....
904c	5544	Needle Bar Connecting Link Hinge
		Pin Set Screw for 42104 .....
42057	5544	Needle Bar Connecting Rod with
		four 896E .....
896E	7396	Needle Bar Connecting Rod Cap
		(lower) Screw .....
896E	7396	Needle Bar Connecting Rod Cap
		(upper) Screw .....
42077	5554	Needle Bar Connecting Rod Guide
171F	5554	" " " " " "
		Screw .....
42103	5544	Needle Bar Crank (back) with 1258c
		and two 1259c .....
42074	5553	Needle Bar Crank (back) Ball Stud
1259c	5530	" " " " " "
		Set Screw .....
1259c	5530	Needle Bar Crank (back) Position
		Screw .....
1258c	5544	Needle Bar Crank (back) Set Screw
42104	5544	" " " (front) with 904c,
		1258c and 1259c .....
1259c	5530	Needle Bar Crank (front) Position
		Screw .....
1258c	5544	Needle Bar Crank (front) Set Screw
42105	5544	" " " Shaft .....
42487	20788	" " " " Bushing ..
624c	20800	" " " " " Set
		Screw .....
42115	5544	Needle Bar Thread Retainer Bracket
228D	5544	" " " " " "
		Screw .....

NO.	PLATE	NAME
42483	20788	Needle Bar Thread Retainer Disc ..
93c	5544	" " " " Screw.
10107	5544	" " " " Spring.
1728c	20800	" Clamping Nut .....
42066	5544	" Guard .....
171F	5554	*" " Screw .....
42223	—	Presser Foot Body .....
42168	5592	" " Chaining-off Finger
233D	5530	" " " "
		Screw .....
42224	5594	Presser Foot Extension .....
197F	5554	" " " Screw .....
62527	20800	" " Hinge Pin .....
42225	—	" " Plate .....
42226	5594	Presser Foot (hinged) complete, Nos. 197F, 233D, 42168, 42223 to 42225 and 62527 .....
1324c	5545	Presser Foot Screw .....
39541	5545	" " " Washer .....
42227	5593	" Lever .....
42045	5542	" " Hinge Stud .....
1120c	5545	" " " " Set Screw
42070	5545	" " Lifter .....
85D	5545	" " " Hinge Screw ..
1377c	5545	" " Screw Stud (eccentric)
1547j	5543	" " " " Nut .....
42071	5545	" " Spring .....
1378D	5545	Pressure Regulating Thumb Screw.
42250	5560	Spreader .....
197D	5554	" Screw .....
2102	5556	Tension (looper, left hand) Disc ...
1560c	5556	" " " " Regulat- ing Thumb Nut .....
828c	5556	Tension (looper, left hand) Screw Stud .....
42121	5556	Tension (looper, left hand) Spring..
2102	5556	" (looper, right hand) Disc ..
1560c	5556	" " " " Regulat- ing Thumb Nut .....
828c	5556	Tension (looper, right hand) Screw Stud .....
10148	5556	Tension (looper, right hand) Spring
17547	5556	" " " " Thread Guide .....
2102	5556	Tension (needle thread) Disc .....
1560c	5556	" " " " Regulating Thumb Nut .....

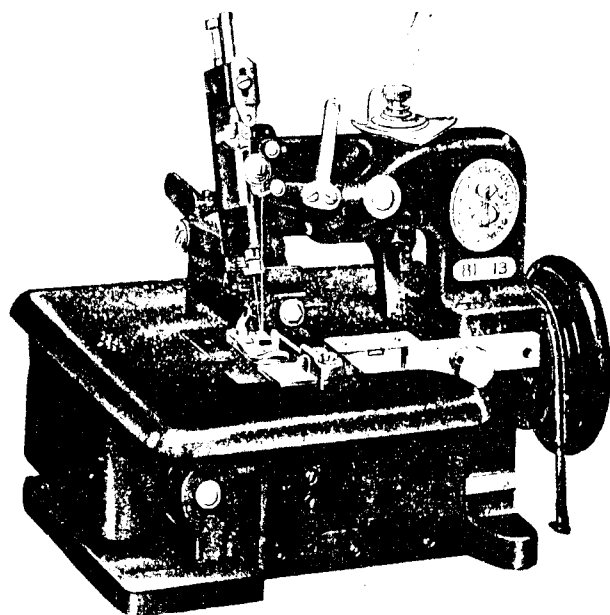
NO.	PLATE	NAME
916c	5556	Tension (needle thread) Screw Stud
2103	5556	" " " " Spring .....
42082	5556	" " " " Thread Guide
42242	7396	Thread (looper, left hand) Eyelet
233D	5530	" " " " " "
		Screw .....
42122	5554	Thread (looper, left hand) Nipper Spring (lower) .....
42123	5554	Thread (looper, left hand) Nipper Spring (upper) .....
176F	5543	Thread (looper, left hand) Nipper Spring Screw .....
42124	5597	Thread (looper, left hand) Pull-off
42125	5597	" " " " " "
		Eyelet .....
233D	5530	Thread (looper, left hand) Pull-off Screw .....
42084	5556	Thread (looper, left hand) Tube ...
462c	5529	" " " " " " Set Screw .....
42126	5597	Thread (looper, right hand) Pull-off
42093	5556	" " " " " Staple
190D	5556	" " " " " "
		Screw .....
42127	5556	Thread (looper, right hand) Take-up
197F	5554	" " " " " "
		Screw .....
42096	5556	Thread (needle) Eyelet .....
217J	5556	" " " " " Screw .....
42128	5597	" " " " " Take-up .....
197F	5554	" " " " " Screw .....
42228	5594	Throat Plate for 42207 .....
742F	5562	" " " " " Screw .....
*15404	—	Trade Mark .....
15405	—	" " " " Rivet .....

SINGER Needles should be used  
in SINGER Machines.  
These Needles and their Containers  
are marked with the  
Company's Trade Mark "SIMANCO."\*\*\* 1

Needles in Containers marked  
"FOR SINGER MACHINES"  
are NOT **SINGER** made needles. 2

## LIST OF PARTS COMPLETE

FOR



## MACHINE No. 81-13

FOR SERGING PANTS AND CUT EDGES OF CLOTH. NO TRIMMER. HAS GUIDE, ADJUSTABLE FOR DIFFERENT THICKNESSES AND WIDTH OF BIGHT. TWO-THREAD STITCH. FOOT LIFTER.

NO.	PLATE	NAME
*4248A	—	Arm with 15404 and two each 462c, 624c, 15405, 42253 and 42487 .....
4389	5543	Arm Dowel Pin .....
949E	5562	" Screw .....
42001	5576	Balance Wheel, 2 $\frac{3}{16}$ in. pulley, with 424c and 1354c .....
1354C	5562	Balance Wheel Position Screw ....
424C	5562	" " Set Screw .....
42002	5526	Cloth Plate .....

NO.	PLATE	NAME
42107	—	Cloth Plate complete, Nos. 42002, 42003, 42005, 42108, two 236c and five 229E .....
42003	5526	Cloth Plate Extension (lower) .....
229E	5562	" " " " Screw .....
42108	5526	" " " " (upper) ....
229E	5562	" " " " " Screw .....
1437D	5562	" " Hinge Screw .....
1655E	5562	" " " " Nut .....
42005	5526	" " Lock Spring .....
236C	5562	" " " " " Screw ....
42205	5596	Feed Bar with 1253c .....
42007	5529	" " Hinge Pin .....
1253C	5529	" " " " Set Screw ....
42008	5529	" Connecting Rod with two 1057E .....
1057E	5529	" " " " Cap Screw ...
1373C	5529	" " " " Hinge Screw .....
1520C	5529	" " " " " " " " " Nut .....
42267	5595	Feed Dog, 23 teeth (16 teeth to the inch) for 42272 .....
190D	5556	Feed Dog Screw .....
42011	5529	" Eccentric with two 453c .....
42094	5526	" " Cover .....
42102	5543	" " " " Holder .....
283D	5543	" " " " " Thumb Screw .....
2749	5543	Feed Eccentric Cover Holder Thumb Screw Washer .....
207F	5529	Feed Eccentric Cover Screw .....
453C	5529	" " Set Screw .....
42012	5529	" Lifting Eccentric with two 462c .....
42013	5529	" " " " Connection ..
462C	5529	" " " " Set Screw ..
1374C	5530	" Regulating Screw Stud .....
1680C	5530	" " " " " Nut ...
42290	5530	" " " " " Washer .....
42014	5530	" Regulator with 233J and two 1259c .....
42015	5529	Feed Regulator Connection with 1012E .....
1012E	5529	Feed Regulator Connection Adjusting Screw .....
1373C	5529	Feed Regulator Connection Hinge Screw .....
1520C	5529	Feed Regulator Connection Hinge Screw Nut .....

NO.	PLATE	NAME
42016	5530	Feed Regulator Hinge Stud .....
1259c	5530	" " Set Screw .....
37551	5596	" " Stop .....
233J	5530	" " " Screw .....
42019	5530	" Rock Shaft .....
42020	—	Feed Rock Shaft complete, Nos. 42019 and 42021 .....
42021	5530	Feed Rock Shaft Crank with 157E ..
157E	5530	" " " " Clamping Screw .....
42098	5530	Feed Rock Shaft Hinge Pin .....
42079	5530	" " " " " Bushing
1036c	5530	" " " " " " "
		Set Screw .....
*42022	—	Frame .....
42023	5576	" Rotary Shaft .....
42024	5576	" " " Bushing (front)
1036c	5530	" " " " " "
		Set Screw .....
42025	5553	Frame Rotary Shaft Crank with 1259c and 1375c .....
1375c	5553	Frame Rotary Shaft Crank Position Screw .....
1259c	5530	Frame Rotary Shaft Crank Set Screw .....
42026	5576	Frame Rotary Shaft Flanged Bush- ing (back) with 54967 .....
54967	5596	Frame Rotary Shaft Flanged Bush- ing (back) Oil Pad (braided cotton)
1036c	5530	Frame Rotary Shaft Flanged Bush- ing (back) Set Screw .....
42367	5596	Frame Rotary Shaft Front Bearing Oil Pad (braided cotton) .....
42193	5593	Frame Side Cover (left) with 132701
132701	20788	" " " " Handle ...
330D	5562	" " " " Screw ....
42028	5526	" " " (right, hinged) ..
42192	5560	" " " " Lock Spring
330D	5562	" " " " " "
		Screw .....
330D	5562	Frame Side Cover (right) Screw ...
42029	5576	" Top Cover .....
742F	5562	" " " Screw .....
38571	5595	Guide with 230H and 38572 .....
217F	5556	" Screw .....
7071	5595	" " Washer .....
38572	5595	" Smoothing Plate .....
230H	5595	" " " Screw .....

NO.	PLATE	NAME
42114	5554	Looper (left hand) .....
42051	5553	" " " Lever with 209H ..
42052	5553	" " " " Connecting Link .....
50562c	7396	Looper (left hand) Lever Connecting Link Hinge Screw .....
1520c	5529	Looper (left hand) Lever Connecting Link Hinge Screw Nut .....
42053	5553	Looper (left hand) Lever Hinge Stud
1036c	5530	" " " " " "
		Set Screw .....
209H	5553	Looper (left hand) Set Screw .....
42166	5553	" (right hand) .....
42073	5553	" " " and Spreader Lever with 1259c .....
42074	5553	Looper (right hand) and Spreader Lever Ball Stud .....
1259c	5530	Looper (right hand) and Spreader Lever Ball Stud Set Screw .....
42075	5553	Looper (right hand) and Spreader Lever Connection with four 896E...
896E	7396	Looper (right hand) and Spreader Lever Connection Cap (lower) Screw .....
896E	7396	Looper (right hand) and Spreader Lever Connection Cap (upper) Screw .....
42077	5554	Looper (right hand) and Spreader Lever Connection Guide .....
171F	5554	Looper (right hand) and Spreader Lever Connection Guide Screw ..
42106	5554	Looper (right hand) and Spreader Lever Connection Oil Tube and Bracket with 29599 .....
29599	5554	Looper (right hand) and Spreader Lever Connection Oil Tube Pack- ing (felt) .....
42078	5554	Looper (right hand) and Spreader Lever Hinge Pin .....
42079	5530	Looper (right hand) and Spreader Lever Hinge Pin Bushing .....
1259c	5530	Looper (right hand) and Spreader Lever Hinge Pin Bushing Set Screw .....
197D	5554	Looper (right hand) Screw .....

NO.	PLATE	NAME
42054	5544	Needle Bar .....
42253	6544	" " Bushing .....
462c	5529	" " Set Screw .....
42061	5544	" " Connecting Bracket with 187D and 223F .....
187D	5544	Needle Bar Connecting Bracket Clamping Screw .....
42055	5544	Needle Bar Connecting Link .....
40247	5544	" " " " Hinge Pin .....
223F	5544	Needle Bar Connecting Link Hinge Pin Set Screw for 42061 .....
904c	5544	Needle Bar Connecting Link Hinge Pin Set Screw for 42104 .....
42057	5544	Needle Bar Connecting Rod with four 896E .....
896E	7396	Needle Bar Connecting Rod Cap (lower) Screw .....
896E	7396	Needle Bar Connecting Rod Cap (upper) Screw .....
42077	5554	Needle Bar Connecting Rod Guide
171F	5554	" " " " " " Screw .....
42103	5544	Needle Bar Crank (back) with 1258c and two 1259c .....
42074	5553	Needle Bar Crank (back) Ball Stud
1259c	5530	" " " " " " Set Screw .....
1259c	5530	Needle Bar Crank (back) Position Screw .....
1258c	5544	Needle Bar Crank (back) Set Screw
42104	5544	" " " (front) with 904c, 1258c and 1259c .....
1259c	5530	Needle Bar Crank (front) Position Screw .....
1258c	5544	Needle Bar Crank (front) Set Screw
42105	5544	" " " Shaft .....
42487	20788	" " " " Bushing ..
624c	20800	" " " " " " Set Screw .....
42115	5544	Needle Bar Thread Retainer Bracket
228D	5544	" " " " " " Screw .....

NO.	PLATE	NAME
42483	20788	Needle Bar Thread Retainer Disc ..
93c	5544	" " " " Screw ..
10107	5544	" " " " Spring ..
1728c	20800	" Clamping Nut .....
42066	5544	" Guard .....
42195	5596	" " Holder .....
1101c	5543	" " " Screw .....
171F	5554	" " Screw .....
42268	5549	Presser Foot Chaining-off Finger
233D	5530	" " " " Screw .....
42269	5549	Presser Foot Extension .....
197F	5554	" " " Screw .....
42461	7396	" " Hinge Pin .....
42270	-----	" " Plate .....
42169	-----	" " Shank .....
42271	5549	Presser Foot (hinged) complete, Nos. 197F, 233D, 42169, 42268 to 42270 and 42461 .....
1324c	5545	Presser Foot Screw .....
39541	5545	" " " Washer .....
42069	5545	" Lever .....
42045	5542	" " Hinge Stud .....
1120c	5545	" " " Set Screw
42070	5545	" " Lifter .....
85D	5545	" " " Hinge Screw ..
1377c	5545	" " Screw Stud (eccentric)
1547J	5543	" " " " Nut .....
42071	5545	" " Spring .....
1378D	5545	Pressure Regulating Thumb Screw.
132631*	20788	Spreader .....
197D	5554	" Screw .....
2102	5556	Tension (looper, left hand) Disc ..
1560c	5556	" " " " Regulat- ing Thumb Nut .....
828c	5556	Tension (looper, left hand) Screw Stud .....
42121	5556	Tension (looper, left hand) Spring ..
2102	5556	" " right hand) Disc ..
1560c	5556	" " " " Regulat- ing Thumb Nut .....
828c	5556	Tension (looper, right hand) Screw Stud .....
10148	5556	Tension (looper, right hand) Spring
17547	5556	" " " " Thread Guide .....

NO.	PLATE	NAME
2102	5556	Tension (needle thread) Disc .....
1560C	5556	" " " " Regulating Thumb Nut .....
916C	5556	Tension (needle thread) Screw Stud
10148	5556	" " " " Spring ....
42082	5556	" " " " Thread Guide
42242	7396	Thread (looper, left hand) Eyelet
233D	5530	" " " " " "
		Screw .....
42084	5556	Thread (looper, left hand) Tube ...
462C	5529	" " " " " " Set Screw .....
42093	5556	Thread (looper, right hand) Staple
190D	5556	" " " " " "
		Screw .....
42127	5556	Thread (looper, right hand) Take-up
197F	5554	" " " " " "
		Screw .....
42096	5556	Thread (needle) Eyelet .....
217J	5556	" " " " Screw ....
42128	5597	" " " " Take-up .....
197F	5554	" " " " Screw ...
42272	5595	Throat Plate for 42267 .....
742F	5562	" " " " Screw .....
*15404	—	Trade Mark .....
15405	—	" " " " Rivet .....

## ACCESSORIES

NO.	PLATE	NAME
1407E	5563	Machine Base Thumb Screw for 3 in. table .....
1408E	5563	Machine Base Thumb Screw for 2 in. table .....
14063	5586	Machine Base Thumb Screw Spring
9842	5586	" " " " " " Washer .....
120344	5566	Oiler (copper plated) with 120345..
120345	5566	" Spout, 5 in. long .....
120440	5566	Screw Driver .....
42090	5566	Threading Wire .....
120341	5566	Tweezers (curved) .....
68547	20788	Wrench for 1324, 1374 and 1629 ....
8908	5566	" " 1520 and 1655 .....
4822	5566	" " 1547 .....

## BENCH STAND

NO.	PLATE	NAME
79582	—	Bench Stand with 27998, two each 28291, wood screws 1½ in. No. 14 and eight wood screws ¾ in. No. 5
28291	20800	Cover Hinge .....
27998	20800	" Hook and Eye (brass) with wood screw ½ in. No. 5 .....

## MACHINE BASE

NO.	PLATE	NAME
42086	5564	Machine Base with three wood screws 1½ in. No. 12 and four each 935E, 4718, 42088 and 66707 .....
4718	5586	Machine Base Cushion (felt) .....
42088	5586	" Cushion (felt) .....
935E	5586	" " Screw .....
66707	7396	" " " " Washer ...

## FOOT LIFTER PARTS

NO.	PLATE	NAME
6439	—	Chain, 36 in. to 45 in., with 56864 and 56865 .....

Note: When ordering No. 6439, give  
length required.

4879	5566	Chain Connecting Link .....
56864	5566	" Hook (large) .....
56865	7396	" " (small) .....
42130	5586	Lifting Lever .....
42131	5586	" " Bracket .....
1229C	5542	" " " " Screw .....
1301D	5586	" " Hinge Screw .....
42132	5586	" " Spring .....
1148F	5586	" " Stop Screw .....
1547J	5543	" " " " Nut .....
4881	5564	Treadle .....
4882	5566	" Shaft .....
4883	5566	" Spring .....
4884	5564	" Stand .....
4885	5564	Treadle complete, Nos. 4879, 4881 to 4884 and two wood screws 1 in. No. 16 .....
42133	—	Foot Lifter complete, Nos. 1301D, 4885, 6439, 42130 to 42132 and two each 1148F, 1229C and 1547J .....

## KNEE LIFTER PARTS

NO.	PLATE	NAME
42130	5586	Lifting Lever .....
42131	5586	" " Bracket .....
1229c	5542	" " " Screw .....
42142	5564	" " Connecting Rod .....
1301D	5586	" " Hinge Screw .....
42132	5586	" " Spring .....
1148E	5586	" " Stop Screw .....
1547J	5543	" " " " Nut .....
2763	5564	Rock Shaft .....
12242	5564	" " Hanger with two wood screws 1 in. No. 10 .....
2765	5564	Rock Shaft Knee Arm .....
2766	5564	" " " " Hub with 356c .....
356c	5562	" " " " " Set Screw .....
2768	----	Rock Shaft Knee Arm complete, Nos. 2765 to 2767 .....
2767	5564	Rock Shaft Knee Plate with 356c ..
356c	5562	" " " " " Set Screw..
6337	5564	" " Lifting Bracket with two 356c .....
7125	5564	Rock Shaft Lifting Bracket Hook ..
356c	5562	" " " " " " Set Screw .....
356c	5562	Rock Shaft Lifting Bracket Set Screw .....
2770	5564	Rock Shaft Stop Dog with 356c ....
356c	5562	" " " " " Set Screw ...
42143	5564	Rock Shaft complete, Nos. 2763, 2768, 6337, 7125 and two each 2770 and 12242 .....
42144	----	Knee Lifter complete, Nos. 1301D, 42130 to 42132, 42142, 42143 and two each 1148E, 1229c and 1547J..

## KNIFE GRINDER

NO.	PLATE	NAME
41326	5568	Emery Wheel .....
1508c	5569	" " Clamping Nut .....
41327	5568	" " Shaft .....
41328	5568	" " " Pulley with 1036c .....
1036c	5530	" " " " " Set Screw .....
41513	5569	" " Washer .....

NO.	PLATE	NAME
41329	5567	Frame with 1036c .....
878D	5569	" Oil Hole Stop Screw .....
41330	5568	Knife Holder with two 14222 .....
41331	5568	" " Bracket with 157E ...
157E	5530	" " " Clamping Screw .....
42065	5569	" " " Hinge Stud ...
1036c	5530	" " " " " Set Screw .....
717c	5569	Knife Holder Bracket Stop Screw ..
1520E	5529	" " " " " Nut .....
41333	5569	" " Clamp .....
41334	5569	" " " Spring .....
14222	5569	" " " Steady Pin ...
771D	5569	" " " Thumb Screw ..
970D	5569	" " Regulating Thumb Screw .....
313c	5569	Knife Holder Screw Center .....
1519J	5569	" " " " " Nut ....
41332	5569	" " Spring .....
41335	----	Knife Grinder complete, Nos. 717c, 970D, 1508c, 1520E, 41326 to 41332, 42065, two each 313c, 771D, 878D, 1519J, 41333, 41334, 41513 and three wood screws 1¼ in. No. 12..

## THREAD UNWINDER

### FOR THREE SPOOLS

NO.	PLATE	NAME
225259	20801	Spool Rest (for one spool) with 201018c .....
225257	20801	Spool Rest (for two spools) with 201018c .....
150203	20801	Spool Rest Cushion (felt) .....
225388	20801	" " Rod .....
200383c	7396	" " " Set Screw .....
201018c	7396	" " Set Screw .....
202490	20801	" Stand with 200383c .....
225391	20801	Thread Guide .....
201696J	7396	" " Lock Nut .....
225326	20788	" " Position Cap .....
225324	20801	" " Rod with 208E and 225322 .....
208E	5562	Thread Guide Rod Screw .....
225322	20788	" " " Washer .....



NO.	PLATE	NAME
259143	20801	Thread Unwinder complete, Nos. 201696J, 202490, 225257, 225259, 225324, 225326, 225388, three each 150203, 225391 and wood screws $\frac{3}{4}$ in. No. 12 .....
27739	7234	Thread Cone (wood) for large cones
225390	7234	" " Holder for inverted cones .....

Note: Nos. 27739 and 225390 are used with, but not included in 259143.

## OBSOLETE PARTS

NO.	PLATE	NAME
*42251	—	Arm with 15404 and two each 462c, 15405 and 42253c for 81-2 and 81-13 Machines, obsolete, use 42484 ...
*42252	—	Arm with 15404 and two each 462c, 15405 and 42253 for 81-5 Machine, obsolete, use 42485 .....
42012	5529	Feed Lifting Eccentric with two 462c for 81-2 and 81-13 Machines, obsolete, use 42208 .....
42210	5593	Frame Rotary Shaft for 81-5 Machine, obsolete, use 42266 .....
19045	5543	Frame Side Cover (left) Handle for 42027 and 42193, obsolete, use 132701 .....
42459	20788	Frame Top Cover Extension for 81-2 Machine, obsolete, use 132650 ...
42043	5542	Knife (movable) Lever Connection with two 175E for 81-2 Machine, obsolete, use 42217 .....
42156	5545	Knife (stationary) Holder for 81-2 and 81-5 Machines, obsolete, use 132766 .....
42091	5597	Looper (right hand) obsolete, use 42166 .....
42222	5560	Needle Bar Connecting Bracket with 187D and 223F for 81-5 Machine, obsolete, use 42291 .....
10106	5544	Needle Bar Thread Retainer Disc, obsolete, use 42483 .....
1629c	—	Needle Clamping Nut, obsolete, use 1728c .....
42135	—	Presser Foot Body for 42136, obsolete, use 42138 .....

NO.	PLATE	NAME
2532	5592	Presser Foot Hinge Pin for 42170, obsolete .....
26276	5594	Presser Foot Hinge Pin for 42226, obsolete, use 62527 .....
42136	5597	Presser Foot complete for sewing in sleeves, for 42109, for 81-2 Machine, Nos. 197F, 233D, 42118, 42120 and 42135, obsolete, use 42116 ...
42139	—	Presser Foot Plate, obsolete .....
42140	—	" " Shank, obsolete .....
42141	5597	Presser Foot (hinged) complete, for sewing pockets in trousers, for 81-2 Machine, Nos. 233D, 42117, 42139, 42140 and 42461, obsolete ..
42072	5554	Spreader, obsolete, use 132631 .....
42137	5554	Tape Guide for sewing in sleeves, for 81-2 Machine, obsolete .....
203F	5554	Tape Guide Screw, obsolete .....
10148	5556	Tension (looper, left hand) Spring, obsolete, use 42121 .....
42092	5597	Thread (looper, right hand) Eyelet, obsolete, use 42127 .....
42083	5553	Thread (looper, left hand) Eyelet, obsolete, use 42242 .....
42089	5566	Wrench for 1324, 1374 and 1629 (Accessories) obsolete, use 68547

NO.	PLATE	NAME
223F	5544	Needle Bar Connecting Link Hinge Pin Set Screw for 42061, 42222 and 42291 .....
228D	5544	Needle Bar Thread Retainer Bracket Screw .....
229E	5562	Cloth Plate Extension (lower) Screw for 42107 .....
229E	5562	Cloth Plate Extension (upper) Screw for 42107 .....
230H	5595	Guide Smoothing Plate Screw for 38571 .....
233J	5530	Feed Regulator Stop Screw for 42014
233D	5530	Presser Foot Chaining-off Finger Screw for 42116, 42136, 42141, 42170, 42226 and 42271 .....
233D	5530	Thread (looper, left hand) Eyelet Screw .....
233D	5530	Thread (looper, left hand) Pull-off Screw for 81-2 and 81-5 Machines
236C	5562	Cloth Plate Lock Spring Screw for 42107 .....
283D	5543	Feed Eccentric Cover Holder Thumb Screw for 81-13 Machine .....
283J	5543	Frame Top Cover Extension Holder Thumb Screw for 81-2 and 81-5 Machines .....
313C	5569	Knife Grinder Knife Holder Screw Center for 41335 .....
330D	5562	Frame Side Cover (left) Screw ....
330D	5562	" " " (right) Lock Spring Screw for 81-13 Machine .....
330D	5562	Frame Side Cover (right) Screw ...
336E	5542	Knife (movable) Holder Guide Set Screw for 42038 .....
337D	5530	Feed Regulator Indicator Plate Screw for 81-2 and 81-5 Machines
356C	5562	Rock Shaft Knee Arm Hub Set Screw for 2766 .....
356C	5562	Rock Shaft Knee Plate Set Screw for 2767 .....
356C	5562	Rock Shaft Lifting Bracket Hook Set Screw for 6337 .....
356C	5562	Rock Shaft Lifting Bracket Set Screw for 6337 .....
356C	5562	Rock Shaft Stop Dog Set Screw for 2770 .....

SINGER Needles should be used  
in SINGER Machines.  
These Needles and their Containers  
are marked with the  
Company's Trade Mark "SIMANCO. 44" 1

Needles in Containers marked  
"FOR SINGER MACHINES"  
are NOT **SINGER** made needles. 2

**NUMERICAL LIST OF PARTS**

NO.	PLATE	NAME
85D	5545	Presser Lever Lifter Hinge Screw...
93C	5544	Needle Bar Thread Retainer Screw
133F	5542	Knife (movable) Holder Screw for 42113 and 42215 .....
157E	5530	Feed Rock Shaft Crank Clamping Screw for 42021 .....
157E	5530	Knife Grinder Knife Holder Bracket Clamping Screw for 41331 .....
171F	5554	Looper (right hand) and Spreader Lever Connection Guide Screw ..
171F	5554	Needle Bar Connecting Rod Guide Screw .....
171F	5554	Needle Guard Screw .....
175E	5542	Knife (movable) Lever Connection Cap Screw for 42013 and 42217 ..
176D	5543	Frame Top Cover Extension Screw for 81-2 and 81-5 Machines .....
176F	5543	Thread (looper, left hand) Nipper Spring Screw for 81-2 and 81-5 Machines .....
187D	5544	Needle Bar Connecting Bracket Clamping Screw for 42061 and 42222 .....
190D	5556	Feed Dog Screw .....
190D	5556	Thread (looper, right hand) Staple Screw .....
197D	5554	Looper (right hand) Screw .....
197F	5554	Presser Foot Extension Screw for 42116, 42136, 42170, 42226 and 42271 .....
197D	5554	Spreader Screw .....
197F	5554	Thread (looper, right hand) Take-up Screw .....
197F	5554	Thread (needle) Take-up Screw ...
203F	5554	Tape Guide Screw, obsolete .....
207F	5529	Feed Eccentric Cover Screw .....
207F	5529	" Regulator Indicator Screw for 81-2 and 81-5 Machines .....
208E	5562	Thread Unwinder Thread Guide Rod Screw for 225324 .....
209H	5553	Looper (left hand) Set Screw for 42051 .....
217F	5556	Guide Screw for 81-13 Machine ....
217J	5556	Thread (needle) Eyelet Screw ....

NUMERICAL

LIST

OF PARTS

NO.	PLATE	NAME
223F	5544	Needle Bar Connecting Link Hinge Pin Set Screw for 42061, 42222 and 42291 .....
228D	5544	Needle Bar Thread Retainer Bracket Screw .....
229E	5562	Cloth Plate Extension (lower) Screw for 42107 .....
229E	5562	Cloth Plate Extension (upper) Screw for 42107 .....
230H	5595	Guide Smoothing Plate Screw for 38571 .....
233J	5530	Feed Regulator Stop Screw for 42014
233D	5530	Presser Foot Chaining-off Finger Screw for 42116, 42136, 42141, 42170, 42226 and 42271 .....
233D	5530	Thread (looper, left hand) Eyelet Screw .....
233D	5530	Thread (looper, left hand) Pull-off Screw for 81-2 and 81-5 Machines
236C	5562	Cloth Plate Lock Spring Screw for 42107 .....
283D	5543	Feed Eccentric Cover Holder Thumb Screw for 81-13 Machine .....
283J	5543	Frame Top Cover Extension Holder Thumb Screw for 81-2 and 81-5 Machines .....
313C	5569	Knife Grinder Knife Holder Screw Center for 41335 .....
330D	5562	Frame Side Cover (left) Screw ....
330D	5562	" " " (right) Lock Spring Screw for 81-13 Machine .....
330D	5562	Frame Side Cover (right) Screw ...
336F	5542	Knife (movable) Holder Guide Set Screw for 42038 .....
337D	5530	Feed Regulator Indicator Plate Screw for 81-2 and 81-5 Machines
356c	5562	Rock Shaft Knee Arm Hub Set Screw for 2766 .....
356c	5562	Rock Shaft Knee Plate Set Screw for 2767 .....
356c	5562	Rock Shaft Lifting Bracket Hook Set Screw for 6337 .....
356c	5562	Rock Shaft Lifting Bracket Set Screw for 6337 .....
356c	5562	Rock Shaft Stop Dog Set Screw for 2770 .....

NO.	PLATE	NAME
404D	5542	Knife (movable) Holder Cap Screw for 42113 and 42215 .....
424c	5562	Balance Wheel Set Screw for 42001
440F	5543	Knife (stationary) Holder Stop Screw for 81-2 and 81-5 Machines
453c	5529	Feed Eccentric Set Screw for 42011
462c	5529	" Lifting Eccentric Set Screw for 42012 and 42208 .....
462c	5529	Needle Bar Bushing Set Screw for 42251, 42252, 42484 and 42485 ....
462c	5529	Thread (looper, left hand) Tube Set Screw .....
621D	5542	Knife (movable) Holder Guide Plate Screw for 81-2 and 81-5 Machines
624c	20800	Needle Bar Crank Shaft Bushing Set Screw for 42484 and 42485 .....
717c	5569	Knife Grinder Knife Holder Bracket Stop Screw for 41335 .....
742F	5562	Frame Top Cover Screw .....
742F	5562	Throat Plate Screw .....
771D	5569	Knife Grinder Knife Holder Clamp Thumb Screw for 41335 .....
828c	5556	Tension (looper, left hand) Screw Stud .....
828c	5556	Tension (looper, right hand) Screw Stud .....
878D	5569	Knife Grinder Frame Oil Hole Stop Screw for 41335 .....
896E	7396	Looper (right hand) and Spreader Lever Connection Cap (lower) Screw for 42075 .....
896E	7396	Looper (right hand) and Spreader Lever Connection Cap (upper) Screw for 42075 .....
896E	7396	Needle Bar Connecting Rod Cap (lower) Screw for 42057 .....
896E	7396	Needle Bar Connecting Rod Cap (upper) Screw for 42057 .....
904c	5514	Needle Bar Connecting Link Hinge Pin Set Screw for 42104 .....
916c	5556	Tension (needle thread) Screw Stud
935E	5586	Machine Cushion Screw for 42086 ..
949E	5562	Arm Screw .....
970D	5569	Knife Grinder Knife Holder Regulating Thumb Screw for 41335 .....
1012E	5529	Feed Regulator Connection Adjusting Screw for 42015 .....

NO.	PLATE	NAME
1036c	5530	Feed Rock Shaft Hinge Pin Bushing Set Screw .....
1036c	5530	Frame Rotary Shaft Bushing (front) Set Screw .....
1036c	5530	Frame Rotary Shaft Crank Set Screw for 42110 and 42211 .....
1036c	5530	Frame Rotary Shaft Flanged Bushing (back) Set Screw .....
1036c	5530	Knife Grinder Emery Wheel Shaft Pulley Set Screw for 41328 .....
1036c	5530	Knife Grinder Knife Holder Bracket Hinge Stud Set Screw for 41329..
1036c	5530	Looper (left hand) Lever Hinge Stud Set Screw .....
1057E	5529	Feed Connecting Rod Cap Screw for 42008 .....
1057D	5529	Needle Bar Connecting Bracket Clamping Screw for 42291 .....
1101c	5543	Knife (stationary) Holder Screw for 81-2 and 81-5 Machines .....
1101c	5543	Needle Guard Holder Screw for 81-13 Machine .....
1120c	5545	Presser Lever Hinge Stud Set Screw
1148F	5586	Lifting Lever Stop Screw for 42133 and 42144 .....
1229c	5542	Knife (movable) Lever Hinge Stud Set Screw for 81-2 and 81-5 Machines .....
1229c	5542	Lifting Lever Bracket Screw for 42133 and 42144 .....
1253c	5529	Feed Bar Hinge Pin Set Screw for 42006 and 42205 .....
1258c	5544	Needle Bar Crank (back) Set Screw for 42103 .....
1258c	5544	Needle Bar Crank (front) Set Screw for 42104 .....
1259c	5530	Feed Regulator Set Screw for 42014
1259c	5530	Frame Rotary Shaft Crank Set Screw for 42025 .....
1259c	5530	Looper (right hand) and Spreader Lever Ball Stud Set Screw for 42073 .....
1259c	5530	Looper (right hand) and Spreader Lever Hinge Pin Bushing Set Screw .....

NO.	PLATE	NAME
1259c	5530	Needle Bar Crank (back) Ball Stud Set Screw for 42103 .....
1259c	5530	Needle Bar Crank (back) Position Screw for 42103 .....
1259c	5530	Needle Bar Crank (front) Position Screw for 42104 .....
1301D	5586	Lifting Lever Hinge Screw for 42133 and 42144 .....
1324c	5545	Presser Foot Screw .....
1354c	5562	Balance Wheel Position Screw for 42001 .....
1373c	5529	Feed Connecting Rod Hinge Screw
1373c	5529	" Regulator Connection Hinge Screw .....
1373c	5529	Knife (movable) Lever Connection Hinge Screw for 81-2 and 81-5 Machines .....
1374c	5530	Feed Regulating Screw Stud .....
1375c	5553	Frame Rotary Shaft Crank Position Screw for 42025, 42110 and 42211..
1376c	5543	Knife (stationary) Holder Regulating Thumb Screw for 81-2 and 81-5 Machines .....
1377c	5545	Presser Lever Screw Stud (eccentric)
1378D	5545	Pressure Regulating Thumb Screw..
1407E	5563	Machine Base Thumb Screw for 3 in. table (Accessories) .....
1408E	5563	Machine Base Thumb Screw for 2 in. table (Accessories) .....
1437D	5562	Cloth Plate Hinge Screw .....
1508c	5569	Knife Grinder Emery Wheel Clamping Nut for 41335 .....
1519J	5569	Knife Grinder Knife Holder Screw Center Nut for 41335 .....
1520c	5529	Feed Connecting Rod Hinge Screw Nut .....
1520c	5529	Feed Regulator Connection Hinge Screw Nut .....
1520E	5529	Knife Grinder Knife Holder Bracket Stop Screw Nut for 41335 .....
1520c	5529	Knife (movable) Lever Connection Hinge Screw Nut for 81-2 and 81-5 Machines .....
1520c	5529	Looper (left hand) Lever Connecting Link Hinge Screw Nut .....

NO.	PLATE	NAME
1534D	5543	Knife (stationary) Clamping Stud Thumb Nut for 81-2 and 81-5 Ma- chines .....
1547J	5543	Knife (stationary) Holder Stop Screw Nut for 81-2 and 81-5 Ma- chines .....
1547J	5543	Lifting Lever Stop Screw Nut for 42133 and 42144 .....
1547J	5543	Presser Lever Screw Stud Nut ....
1560C	5556	Tension (looper, left hand) Regulat- ing Thumb Nut .....
1560C	5556	Tension (looper, right hand) Regulat- ing Thumb Nut .....
1560C	5556	Tension (needle thread) Regulating Thumb Nut .....
1629C	—	Needle Clamping Nut, obsolete, use 1728c .....
1655E	5562	Cloth Plate Hinge Screw Nut .....
1680C	5530	Feed Regulating Screw Stud Nut ..
1728C	20800	Needle Clamping Nut .....
2102	5556	Tension (looper, left hand) Disc ...
2102	5556	" (looper, right hand) Disc ..
2102	5556	" (needle thread) Disc .....
2103	5556	" " " Spring for 81-5 Machine and used in sewing very heavy pockets in Trousers, for 81-2 Machine .....
2532	5592	Presser Foot Hinge Pin for 42170, obsolete .....
2749	5543	Feed Eccentric Cover Holder Thumb Screw Washer for 81-13 Machine..
2749	5543	Frame Top Cover Extension Holder Thumb Screw Washer for 81-2 and 81-5 Machines .....
2763	5564	Rock Shaft for 42143 .....
2765	5564	" " Knee Arm for 2768 ....
2766	5564	" " " " Hub with 356c for 2768 .....
2767	5564	Rock Shaft Knee Plate with 356c for 2768 .....
2768	—	Rock Shaft Knee Arm complete for 42143, Nos. 2765 to 2767 .....
2770	5564	Rock Shaft Stop Dog with 356c for 42143 .....
4389	5543	Arm Dowel Pin .....

NO.	PLATE	NAME
4718	5586	Machine Base Cushion (felt) for 42086 .....
4822	5566	Wrench for 1547 (Accessories) ....
4879	5566	Chain Connecting Link for 4885 ...
4881	5564	Treadle for 4885 .....
4882	5566	" Shaft for 4885 .....
4883	5566	" Spring for 4885 .....
4884	5564	" Stand for 4885 .....
4885	5564	Treadle complete for 42133, Nos. 4879, 4881 to 4884 and two wood screws 1 in. No. 16 .....
6337	5564	Rock Shaft Lifting Bracket with two 356c for 42143 .....
6439	—	Chain, 36 in. to 45 in., with 56864 and 56865 for 42133 .....
7071	5595	Guide Screw Washer for 81-13 Ma- chine .....
7125	5564	Rock Shaft Lifting Bracket Hook for 42143 .....
8238	5556	Tension (needle thread) Spring for 81-2 Machine .....
8908	5566	Wrench for 1520 and 1655 (Acces- sories) .....
9842	5586	Machine Base Thumb Screw Spring Washer (Accessories) .....
10106	5544	Needle Bar Thread Retainer Disc, obsolete, use 42483 .....
10107	5544	Needle Bar Thread Retainer Spring
10148	5556	Tension (looper, left hand) Spring for 81-2 and 81-13 Machines, obso- lete, use 42121 .....
10148	5556	Tension (looper, right hand) Spring
10148	5556	" (needle thread) Spring for 81-13 Machine .....
12242	5564	Rock Shaft Hanger with two wood screws 1 in. No. 10, for 42143 ....
14063	5586	Machine Base Thumb Screw Spring (Accessories) .....
14222	5569	Knife Grinder Knife Holder Clamp Steady Pin for 41330 .....
*15404	—	Trade Mark .....
15405	—	" " Rivet .....
17547	5556	Tension (looper, right hand) Thread Guide .....
19045	5543	Frame Side Cover (left) Handle for 42027 and 42193, obsolete, use 132701 .....

NO.	PLATE	NAME
26276	5594	Presser Foot Hinge Pin for 42226, obsolete, use 62527 .....
27739	7234	Thread Cone (wood) for large cones for 259143 .....
27998	20800	Bench Stand Cover Hook and Eye (brass) with wood screw $\frac{1}{2}$ in. No. 5 for 79582 .....
28291	20800	Bench Stand Cover Hinge for 79582
29599	5554	Looper (right hand) and Spreader Lever Connection Oil Tube Packing (felt) for 42106 .....
37551	5596	Feed Regulator Stop for 81-13 Machine .....
38534	5560	Needle Bar (hollow) for 81-5 Machine .....
38571	5595	Guide with 230u and 38572 for 81-13 Machine .....
38572	5595	Guide Smoothing Plate for 38571 ..
39541	5545	Presser Foot Screw Washer .....
40247	5544	Needle Bar Connecting Link Hinge Pin .....
41326	5568	Knife Grinder Emery Wheel for 41335 .....
41327	5568	Knife Grinder Emery Wheel Shaft for 41335 .....
41328	5568	Knife Grinder Emery Wheel Shaft Pulley with 1036c for 41335 .....
41329	5567	Knife Grinder Frame with 1036c for 41335 .....
41330	5568	Knife Grinder Knife Holder with two 14222 .....
41331	5568	Knife Grinder Knife Holder Bracket with 157E for 41335 .....
41332	5569	Knife Grinder Knife Holder Spring for 41335 .....
41333	5569	Knife Grinder Knife Holder Clamp for 41335 .....
41334	5569	Knife Grinder Knife Holder Clamp Spring for 41335 .....
41335	—	Knife Grinder complete, Nos. 717c, 970D, 1508c, 1520E, 41326 to 41332, 42065, two each 313c, 771D, 878D, 1519J, 41333, 41334, 41513 and three wood screws $1\frac{1}{4}$ in. No. 12 .....
41513	5569	Knife Grinder Emery Wheel Washer for 41335 .....

NO.	PLATE	NAME
42001	5576	Balance Wheel, $2\frac{1}{4}$ in. pulley, with 424c and 1354c .....
42002	5526	Cloth Plate for 42107 .....
42003	5526	" " Extension (lower) for 42107 .....
42005	5526	Cloth Plate Lock Spring for 42107..
42006	5529	Feed Bar with 1253c for 81-2 and 81-5 Machines .....
42007	5529	Feed Bar Hinge Pin .....
42008	5529	" Connecting Rod with two 1057E
42011	5529	" Eccentric with two 453c .....
42012	5529	" Lifting Eccentric with two 462c for 81-2 and 81-13 Machines, obsolete, use 42208 .....
42013	5529	Feed Lifting Eccentric Connection..
42014	5530	" Regulator with 233J and two 1259c .....
42015	5529	Feed Regulator Connection with 1012E .....
42016	5530	Feed Regulator Hinge Stud .....
42017	5529	" " Indicator for 81-2 and 81-5 Machines .....
42018	5530	Feed Regulator Indicator Plate for 81-2 and 81-5 Machines .....
42019	5530	Feed Rock Shaft for 42020 .....
42020	—	Feed Rock Shaft complete, Nos. 42019 and 42021 .....
42021	5530	Feed Rock Shaft Crank with 157E for 42020 .....
*42022	—	Frame for 81-2 and 81-13 Machines..
42023	5576	" Rotary Shaft for 81-2 and 81-13 Machines .....
42024	5576	Frame Rotary Shaft Bushing (front)
42025	5553	" " " Crank with 1259c and 1375c for 81-13 Machine
42026	5576	Frame Rotary Shaft Flanged Bushing (back) with 54967 .....
42027	5593	Frame Side Cover (left) with 132701 for 81-2 and 81-5 Machines .....
42028	5526	Frame Side Cover (right, hinged)..
42029	5576	" Top Cover .....
42035	5542	Knife (movable) Holder for 42113 and 42215 .....
42037	5542	Knife (movable) Holder Cap for 42113 .....

NO.	PLATE	NAME
42038	5542	Knife (movable) Holder Guide with 336F for 81-2 and 81-5 Machines ..
42039	5542	Knife (movable) Holder Guide Plate for 81-2 and 81-5 Machines .....
42040	5542	Knife (movable) Holder Screw Extension Pin for 42113 and 42215..
42041	5542	Knife (movable) Holder Spring for 81-2 and 81-5 Machines .....
42042	5542	Knife (movable) Lever for 81-2 and 81-5 Machines .....
42043	5542	Knife (movable) Lever Connection with two 175E for 81-2 Machine, obsolete, use 42217 .....
42045	5542	Knife (movable) Lever Hinge Stud for 81-2 and 81-5 Machines .....
42045	5542	Presser Lever Hinge Stud .....
42046	5543	Knife (stationary) with 42049 for 81-2 and 81-5 Machines .....
42048	5543	Knife (stationary) Clamping Stud for 81-2 and 81-5 Machines .....
42049	5543	Knife (stationary) Stud for 42046 ..
42051	5553	Looper (left hand) Lever with 209H
42052	5553	" " " Connecting Link .....
42053	5553	Looper (left hand) Lever Hinge Stud
42054	5544	Needle Bar for 81-2 and 81-13 Machines .....
42055	5544	Needle Bar Connecting Link .....
42057	5544	" " " Rod with four 896E .....
42061	5544	Needle Bar Connecting Bracket with 187D and 223F for 81-2 and 81-13 Machines .....
42065	5569	Knife Grinder Knife Holder Bracket Hinge Stud for 41335 .....
42066	5544	Needle Guard .....
42069	5545	Presser Lever for 81-2 and 81-13 Machines .....
42070	5545	Presser Lever Lifter .....
42071	5545	" " Spring .....
42072	5554	Spreader for 81-2 and 81-13 Machines, obsolete, use 132631 .....
42073	5553	Looper (right hand) and Spreader Lever with 1259c .....
42074	5553	Looper (right hand) and Spreader Lever Ball Stud for 81-2 and 81-13 Machines .....

NO.	PLATE	NAME
42074	5553	Needle Bar Crank (back) Ball Stud
42075	5553	Looper (right hand) and Spreader Lever Connection with four 896E
42077	5554	Looper (right hand) and Spreader Lever Connection Guide .....
42077	5554	Needle Bar Connecting Rod Guide..
42078	5554	Looper (right hand) and Spreader Lever Hinge Pin .....
42079	5530	Feed Rock Shaft Hinge Pin Bushing
42079	5530	Looper (right hand) and Spreader Lever Hinge Pin Bushing .....
42082	5556	Tension (needle thread) Thread Guide .....
42083	5553	Thread (looper, left hand) Eyelet, obsolete, use 42242 .....
42084	5556	Thread (looper, left hand) Tube ...
42086	5564	Machine Base with three wood screws 1½ in. No. 12 and four each 935E, 4718, 42088 and 66707 .....
42088	5586	Machine Cushion (felt) for 42086 ..
42089	5566	Wrench for 1324, 1374 and 1629 (Accessories) obsolete, use 68547 ....
42090	5566	Threading Wire (Accessories) ....
42091	5597	Looper (right hand) obsolete, use 42166 .....
42092	5597	Thread (looper, right hand) Eyelet, obsolete, use 42127 .....
42093	5556	Thread (looper, right hand) Staple
42094	5526	Feed Eccentric Cover .....
42096	5556	Thread (needle) Eyelet .....
42098	5530	Feed Rock Shaft Hinge Pin .....
42101	5543	Frame Side Cover (right) Lock Spring for 81-2 and 81-5 Machines
42102	5543	Feed Eccentric Cover Holder for 81-13 Machine .....
42102	5543	Frame Top Cover Extension Holder for 81-2 and 81-5 Machines .....
42103	5544	Needle Bar Crank (back) with 1258c and two 1259c .....
42104	5544	Needle Bar Crank (front) with 904c, 1258c and 1259c .....
42105	5544	Needle Bar Crank Shaft .....
42106	5554	Looper (right hand) and Spreader Lever Connection Oil Tube and Bracket with 29599 .....



NO.	PLATE	NAME
42107	—	Cloth Plate complete, Nos. 42002, 42003, 42005, 42108, two 236c and five 229E .....
42108	5526	Cloth Plate Extension (upper) for 42107 .....
42109	5531	Feed Dog, 24 teeth (16 teeth to the inch) for 42116, 42129 and 42134, for 81-2 Machine .....
42110	5545	Frame Rotary Shaft Crank with 1036c and 1375c for 81-2 Machine..
42111	5542	Knife (movable) for light work for 81-2 Machine .....
42112	5542	Knife (movable) Gib for 42113 .....
42113	—	“ “ Holder 42035 with 133F, 42037, 42040, 42112 and two 404D, for 42111, for 81-2 Machine
42114	5554	Looper (left hand) for 81-2 and 81-13 Machines .....
42115	5544	Needle Bar Thread Retainer Bracket
42116	5592	Presser Foot complete for sewing in sleeves for 42109, Nos. 197F, 233D, 42118, 42120 and 42138 for 81-2 Machine .....
42117	5592	Presser Foot Chaining-off Finger for $\frac{1}{4}$ in. bight, for 42116 and 42141
42118	5592	Presser Foot Chaining-off Finger for $\frac{3}{8}$ in. bight, for 42116 and 42136..
42119	5592	Presser Foot Chaining-off Finger for $\frac{1}{2}$ in. bight, for 42116 .....
42120	5592	Presser Foot Extension for 42116, 42136 and 42170 .....
42121	5556	Tension (looper, left hand) Spring..
42122	5554	Thread (looper, left hand) Nipper Spring (lower) for 81-2 and 81-5 Machines .....
42123	5554	Thread (looper, left hand) Nipper Spring (upper) for 81-2 and 81-5 Machines .....
42124	5597	Thread (looper, left hand) Pull-off for 81-2 and 81-5 Machines .....
42125	5597	Thread (looper, left hand) Pull-off Eyelet for 81-2 and 81-5 Machines
42126	5597	Thread (looper, right hand) Pull-off for 81-2 and 81-5 Machines .....
42127	5556	Thread (looper, right hand) Take-up
42128	5597	“ (needle) Take-up .....

NO.	PLATE	NAME
42129	5531	Throat Plate for $\frac{1}{4}$ in., $\frac{3}{8}$ in. and $\frac{1}{2}$ in. bight, for 42109 .....
42130	5586	Lifting Lever for 42133 and 42144 ..
42131	5586	“ “ Bracket for 42133 and 42144 .....
42132	5586	Lifting Lever Spring for 42133 and 42144 .....
42133	—	Foot Lifter complete, Nos. 1301D, 4885, 6439, 42130 to 42132 and two each 1148E, 1229C and 1547J ....
42134	5531	Throat Plate for $\frac{1}{8}$ in. bight, for 42109 .....
42135	—	Presser Foot Body for 42136, obsolete, use 42138 .....
42136	5597	Presser Foot complete, for sewing in sleeves, for 42109, for 81-2 Machine, Nos. 197E, 233D, 42118, 42120 and 42135, obsolete, use 42116 .....
42137	5554	Tape Guide for sewing in sleeves, for 81-2 Machine, obsolete .....
42138	—	Presser Foot Body for 42116, for 81-2 Machine .....
42139	—	Presser Foot Plate, obsolete .....
42140	—	“ “ Shank, obsolete .....
42141	5597	Presser Foot (hinged) complete, for sewing pockets in trousers, for 81-2 Machine, Nos. 233D, 42117, 42139, 42140 and 42461, obsolete..
42142	5564	Lifting Lever Connecting Rod for 42144 .....
42143	5564	Rock Shaft complete for 42144, Nos. 2763, 2768, 6337, 7125 and two each 2770 and 12242 .....
42144	—	Knee Lifter complete, Nos: 1301D, 42130 to 42132, 42142, 42143 and two each 1148E, 1229C and 1547J
42156	5545	Knife (stationary) Holder for 81-2 and 81-5 Machines, obsolete, use 132766 .....
42165	5592	Feed Dog, 24 teeth (16 teeth to the inch) for sewing very heavy pockets in trousers, for 42171 for 81-2 Machine .....
42166	5553	Looper (right hand) for 81-2 and 81-13 Machines .....

NO.	PLATE	NAME
42167	—	Presser Foot Plate for 42170 .....
42168	5592	" " Chaining-off Finger for 42170 and 42226 .....
42169	—	Presser Foot Shank for 42170 and 42271 .....
42170	5592	Presser Foot (hinged) complete for 42165, for 81-2 Machine, Nos. 197F, 233D, 42120, 42167 to 42169 and 62527 .....
42171	5592	Throat Plate for 42165 .....
42172	5592	Presser Foot Chaining-off Finger for $\frac{1}{8}$ in. bight, for 42116 .....
42192	5560	Frame Side Cover (right) Lock Spring for 81-13 Machine .....
42193	5593	Frame Side Cover (left) with 132701 for 81-13 Machine .....
42195	5596	Needle Guard Holder for 81-13 Ma- chine .....
42205	5596	Feed Bar with 1253c for 81-13 Ma- chine .....
42207	5594	Feed Dog, 26 teeth (16 teeth to the inch) for 42228, for 81-5 Machine
42208	5596	Feed Lifting Eccentric with two 462c for 81-2 and 81-5 Machines .....
*42209	—	Frame for 81-5 Machine .....
42210	5593	" Rotary Shaft for 81-5 Machine, obsolete, use 42266 .....
42211	5596	Frame Rotary Shaft Crank with 1036c and 1375c for 81-5 Machine
42212	5596	Frame Top Cover Extension for 81-5 Machine .....
42213	5560	Knife (movable) for 81-5 Machine and for heavy work for 81-2 Ma- chine .....
42214	5560	Knife (movable) Gib for 42215 .....
42215	—	" " Holder 42035 with 133F, 42040, 42214, 42216 and two 404D, for 42213, for 81-5 Machine and for heavy work for 81-2 Ma- chine .....
42216	5560	Knife (movable) Holder Cap for 42115 .....
42217	5560	Knife (movable) Lever Connection with 42218 and two 175E, for 81-2 and 81-5 Machines .....
42218	—	Knife (movable) Lever Connection Cap for 42217 .....

NO.	PLATE	NAME
42219	5560	Looper (left hand) for 81-5 Machine
42220	5560	" (right hand) for 81-5 Machine
42221	5560	" " " and Spreader Lever Ball Stud for 81-5 Machine
42222	5560	Needle Bar Connecting Bracket with 187D and 223F, obsolete, use 42291, for 81-5 Machine .....
42223	—	Presser Foot Body for 42226 .....
42224	5594	" " Extension for 42226 ..
42225	—	" " Plate for 42226 .....
42226	5594	Presser Foot (hinged) complete for 81-5 Machine, Nos. 197F, 233D, 42168, 42223 to 42225 and 62527 ..
42227	5593	Presser Lever for 81-5 Machine ....
42228	5594	Throat Plate for 42207, for 81-5 Ma- chine .....
42242	7396	Thread (looper, left hand) Eyelet ..
42250	5560	Spreader for 81-5 Machine .....
*42251	—	Arm with 15404 and two each 462c, 15405 and 42253 for 81-2 and 81-13 Machines, obsolete, use 42484 ....
*42252	—	Arm with 15404 and two each 462c, 15405 and 42253 for 81-5 Machine, obsolete, use 42485 .....
42253	5544	Needle Bar Bushing for 42251, 42252, 42484 and 42485 .....
42266	5593	Frame Rotary Shaft for 81-5 Machine
42267	5595	Feed Dog, 23 teeth (16 teeth to the inch) for 42272, for 81-13 Machine
42268	5549	Presser Foot Chaining-off Finger for 42271 .....
42269	5549	Presser Foot Extension for 42271 ..
42270	—	" " Plate for 42271 .....
42271	5549	Presser Foot (hinged) complete for 81-13 Machine, Nos. 197F, 233D, 42169, 42268 to 42270 and 42461 ..
42272	5595	Throat Plate for 42267 .....
42290	5530	Feed Regulating Screw Stud Washer
42291	5596	Needle Bar Connecting Bracket with 223F and 1057D for 81-5 Machine..
42367	5596	Frame Rotary Shaft Front Bearing Oil Pad (braided cotton) .....
42459	20788	Frame Top Cover Extension for 81-2 Machine, obsolete, use 132650 ....
42461	7396	Presser Foot Hinge Pin for 42141, 42170 and 42271 .....

NO.	PLATE	NAME
42483	20788	Needle Bar Thread Retainer Disc ..
*42484	—	Arm with 15404 and two each 462c, 624c, 15405, 42253 and 42487 for 81-2 and 81-13 Machines .....
*42485	—	Arm with 15404 and two each 462c, 624c, 15405, 42253 and 42487 for 81-5 Machine .....
42487	20788	Needle Bar Crank Shaft Bushing for 42484 and 42485 .....
50562c	7396	Looper (left hand) Lever Connecting Link Hinge Screw .....
54967	5596	Frame Rotary Shaft Flanged Bush- ing (back) Oil Pad (braided cotton) for 42026 .....
56864	5566	Chain Hook (large) for 6439 .....
56865	7396	" " (small) for 6439 .....
62527	20800	Presser Foot Hinge Pin for 42170 and 42226 .....
66707	7396	Machine Cushion Screw Washer for 42086 .....
68547	20788	Wrench for 1324,1374 and 1629 (Ac- cessories) .....
79582	—	Bench Stand with 27998, two each 28291, wood screws 1¼ in. No. 14 and eight wood screws ⅝ in. No. 5
120341	5566	Tweezers (curved) Accessories ....
120344	5566	Oiler (copper plated) with 120345 (Accessories) .....
120345	5566	Oiler Spout, 5 in. long, for 120344 (Accessories) .....
120440	5566	Screw Driver (Accessories) .....
132631	20788	Spreader for 81-2 and 81-13 Machines
132650	20788	Frame Top Cover Extension for 81-2 Machine .....
132701	20788	Frame Side Cover (left) Handle for 42027 and 42193 .....
132766	20788	Knife (stationary) Holder .....
150203	20801	Thread Unwinder Spool Rest Cushion (felt) for 259143 .....
200383c	7396	Thread Unwinder Spool Rest Rod Set Screw for 202490 .....
201018c	7396	Thread Unwinder Spool Rest Set Screw for 225257 and 225259 ....
201696j	7396	Thread Unwinder Thread Guide Lock Nut for 259143 .....

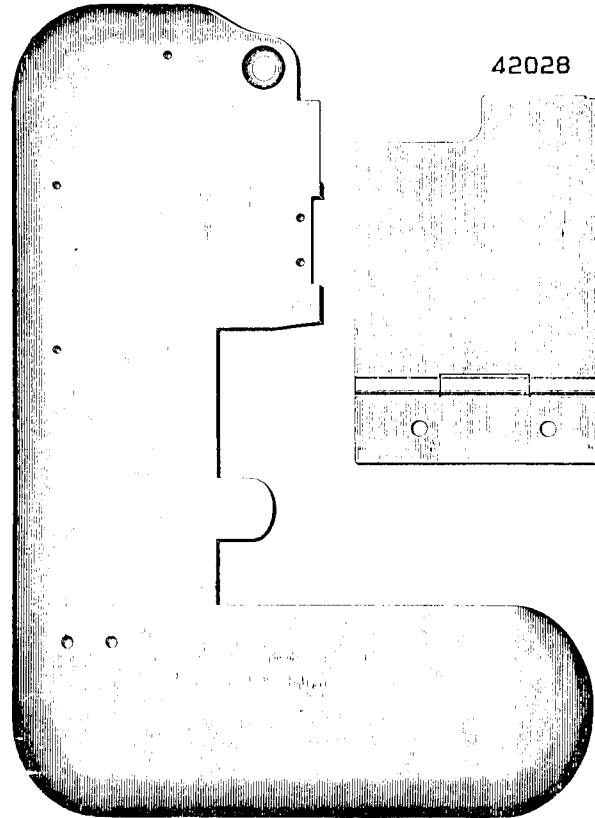
NO.	PLATE	NAME
202490	20801	Thread Unwinder Spool Stand with 200383c for 259143 .....
225257	20801	Thread Unwinder Spool Rest (for two spools) with 201018c for 259143
225259	20801	Thread Unwinder Spool Rest (for one spool) with 201018c for 259143
225322	20788	Thread Unwinder Thread Guide Rod Washer for 225324 .....
225324	20801	Thread Unwinder Thread Guide Rod with 208E and 225322 for 259143 ..
225326	20788	Thread Unwinder Thread Guide Position Cap for 259143 .....
225388	20801	Thread Unwinder Spool Rest Rod for 259143 .....
225390	7234	Thread Unwinder Thread Cone Hol- der for inverted cones for 259143
225391	20801	Thread Unwinder Thread Guide for 259143 .....
259143	20801	Thread Unwinder (for three spools) complete, Nos. 201696j, 202490, 225257, 225259, 225324, 225326, 225388, three each 150203, 225391 and wood screws ⅞ in. No. 12 ....

SINGER Needles should be used  
in SINGER Machines.  
These Needles and their Containers  
are marked with the  
Company's Trade Mark "SIMANCO.\*\*" 1

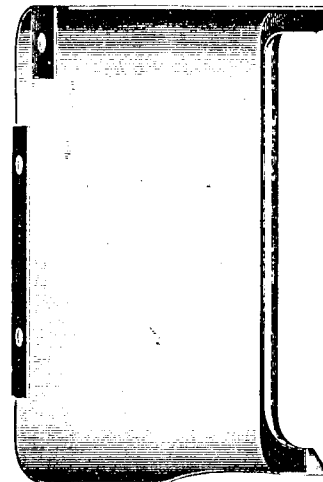
Needles in Containers marked  
"FOR SINGER MACHINES"  
are NOT **SINGER** made needles. 2

ILLUSTRATIONS  
OF  
PARTS

42002



42003



42108



42005



42094

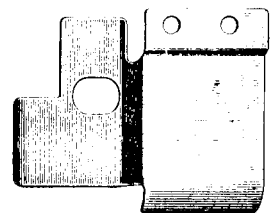


PLATE 5529—FULL SIZE

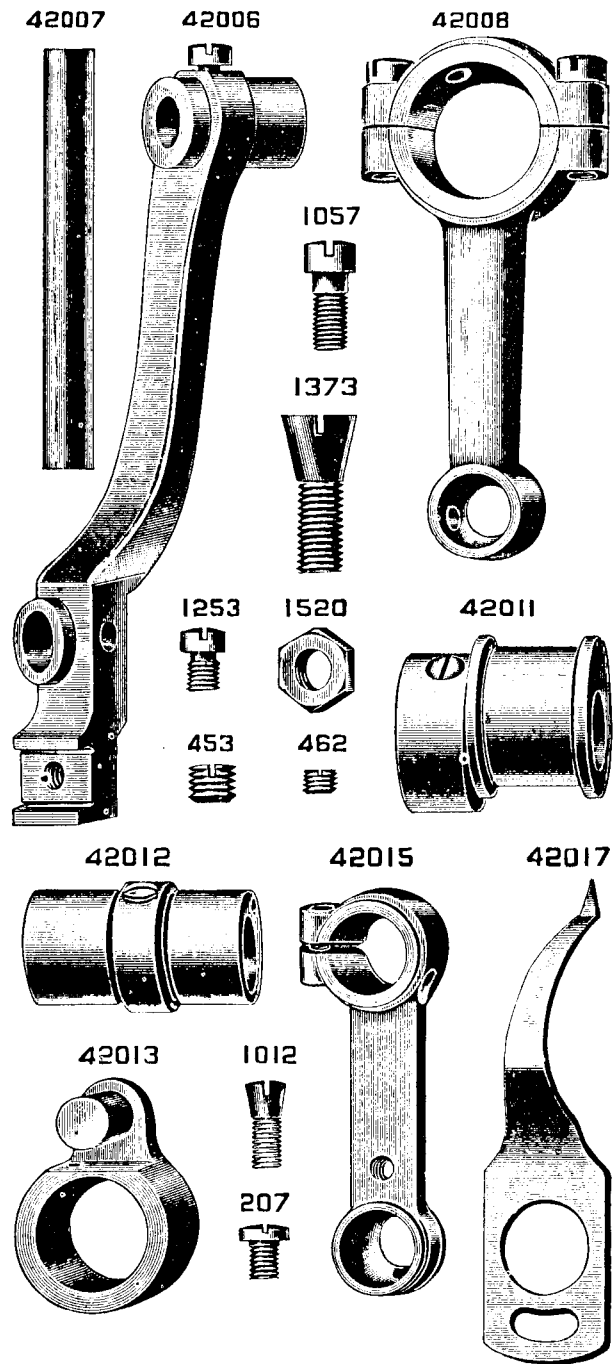


PLATE 5530—FULL SIZE

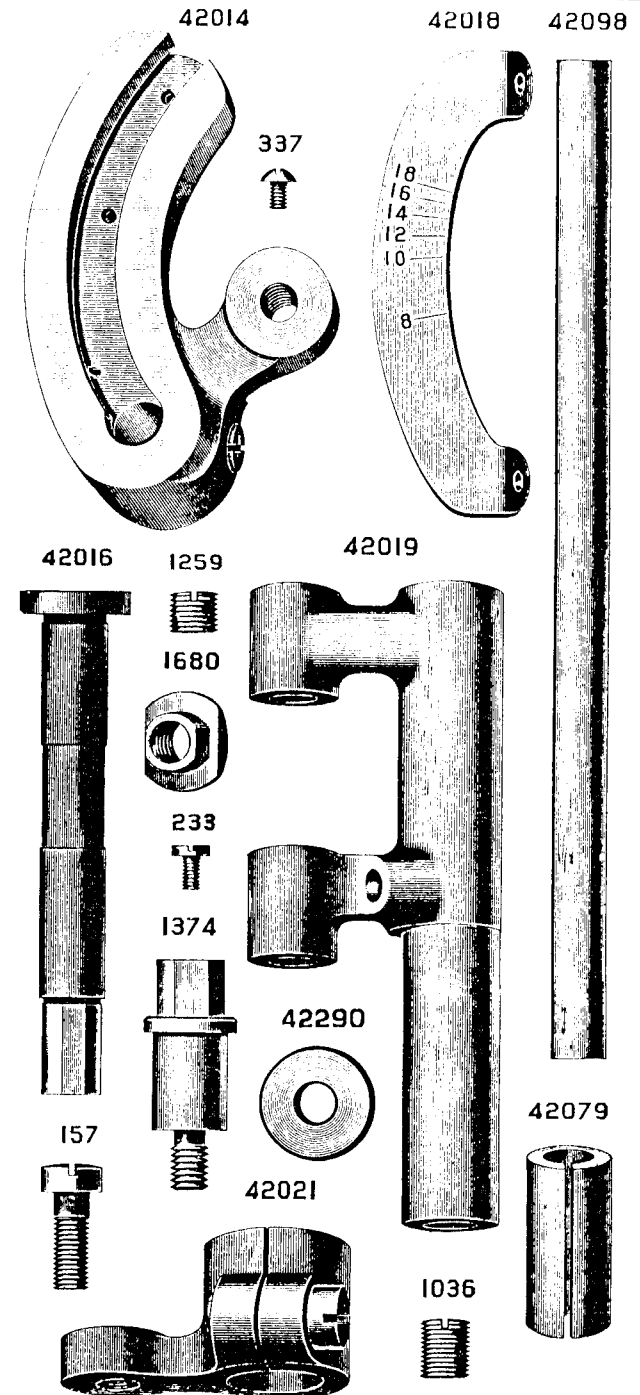


PLATE 5531—FULL SIZE

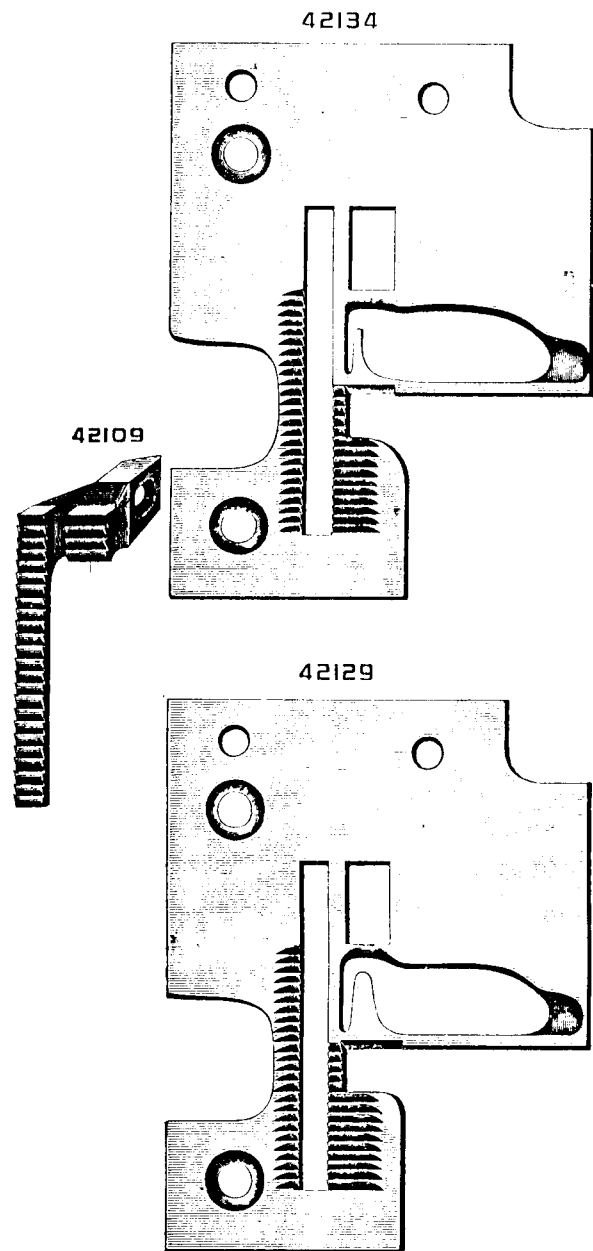


PLATE 5542—FULL SIZE

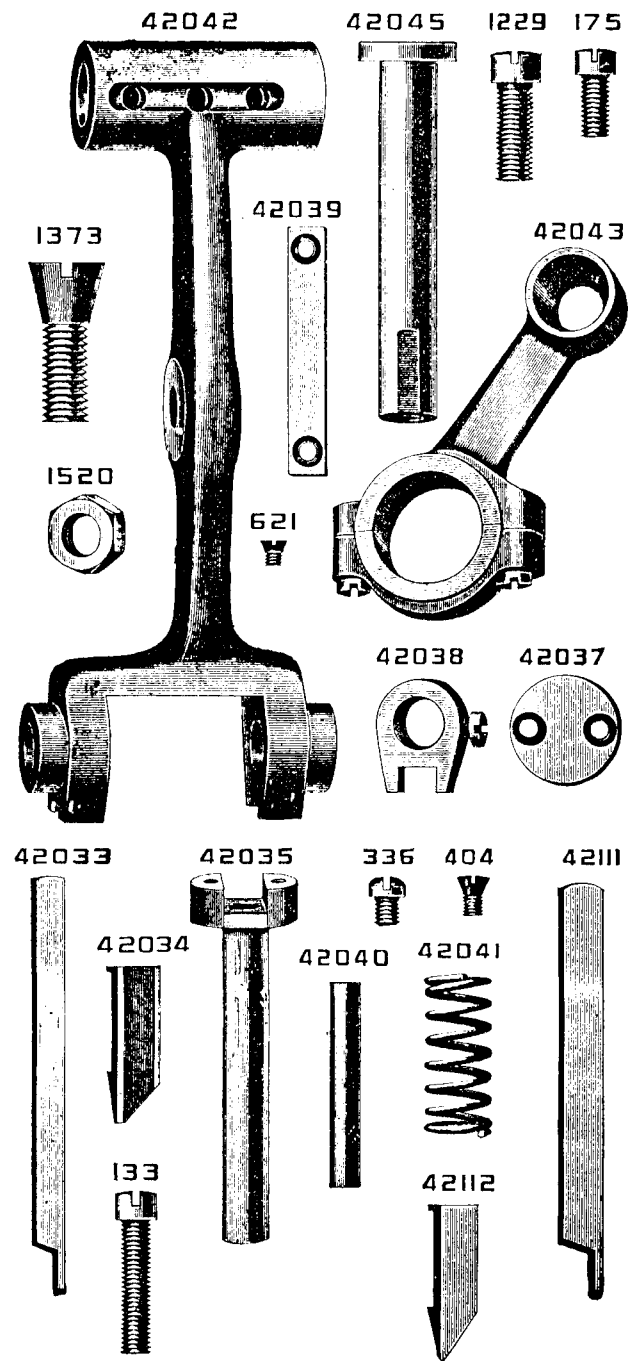


PLATE 5543—FULL SIZE

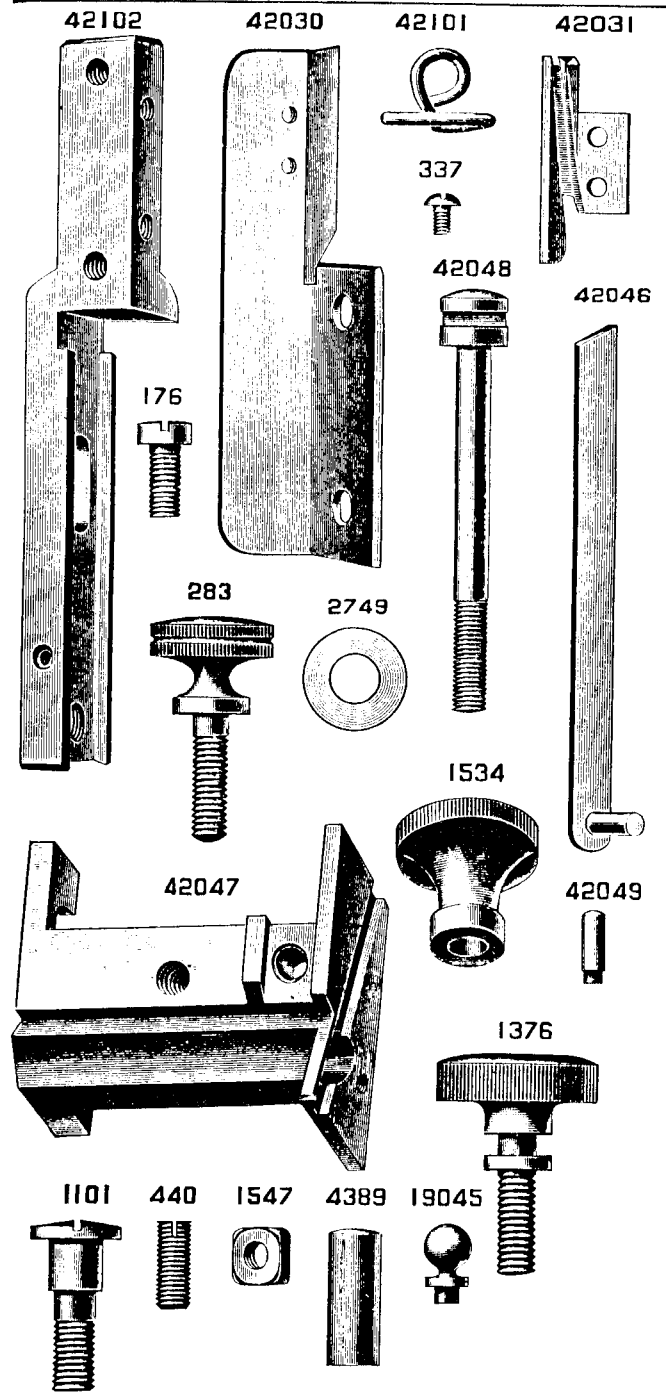


PLATE 5544—FULL SIZE

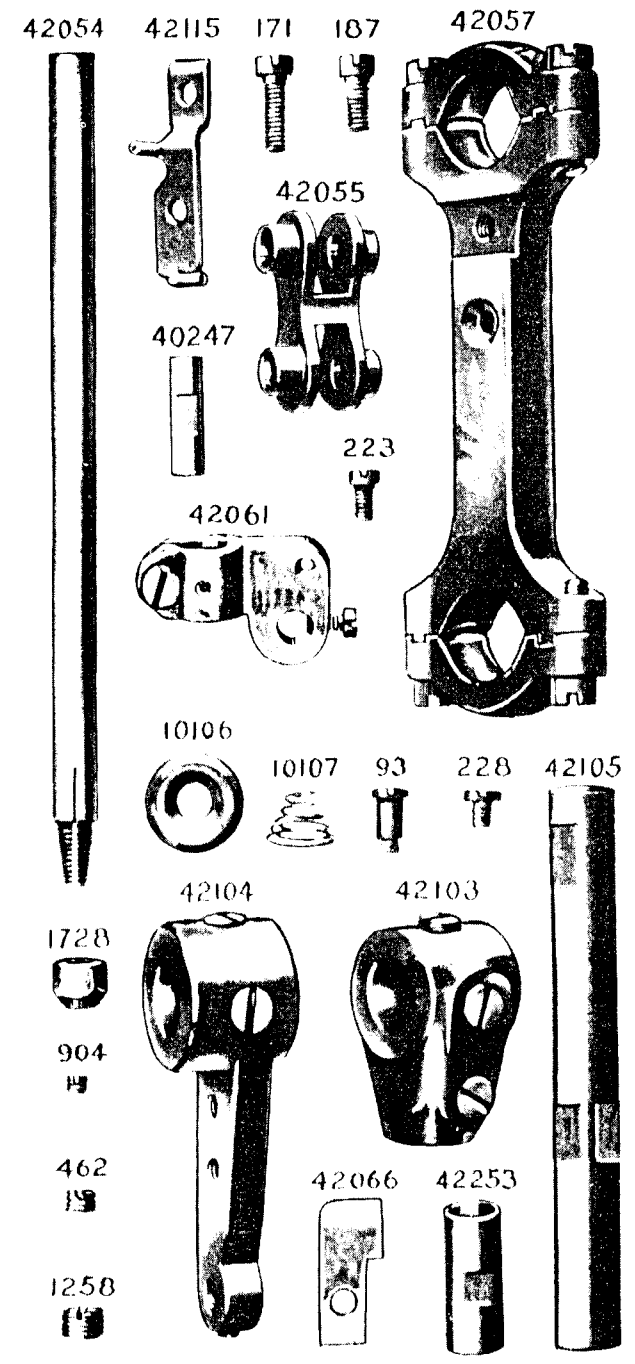


PLATE 5545--FULL SIZE

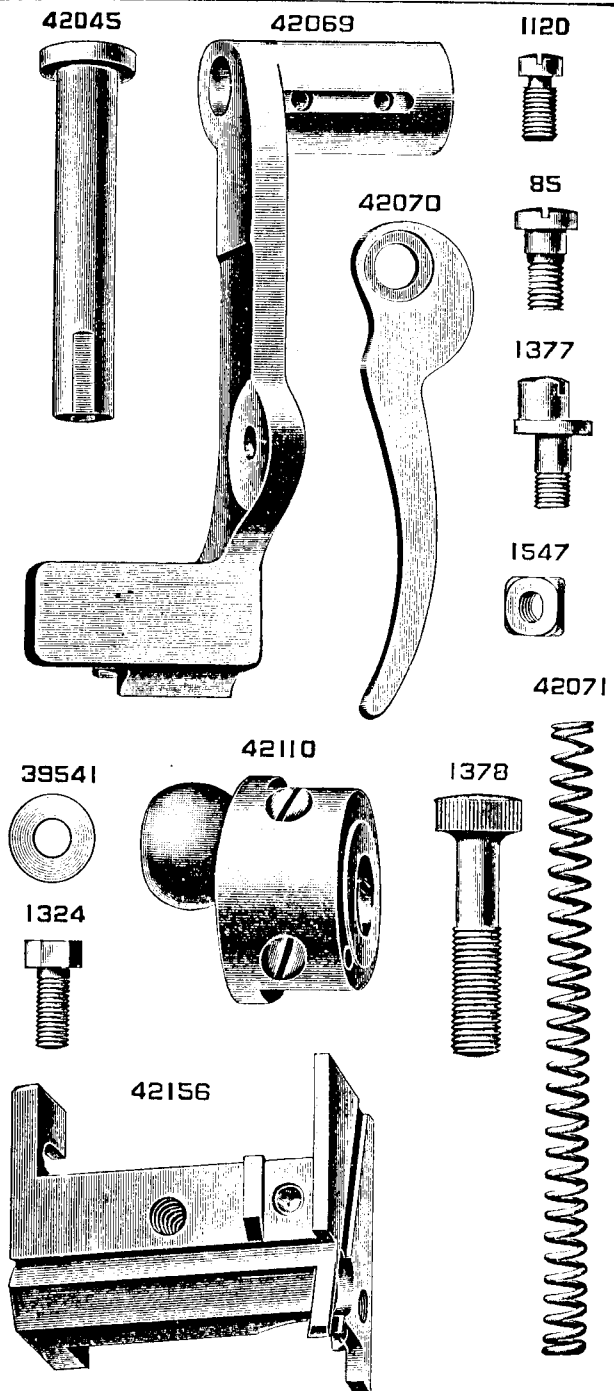


PLATE 5549--FULL SIZE

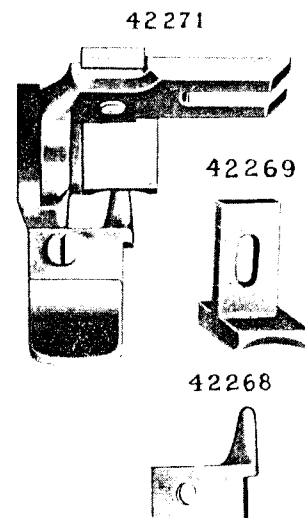




PLATE 5553—FULL SIZE

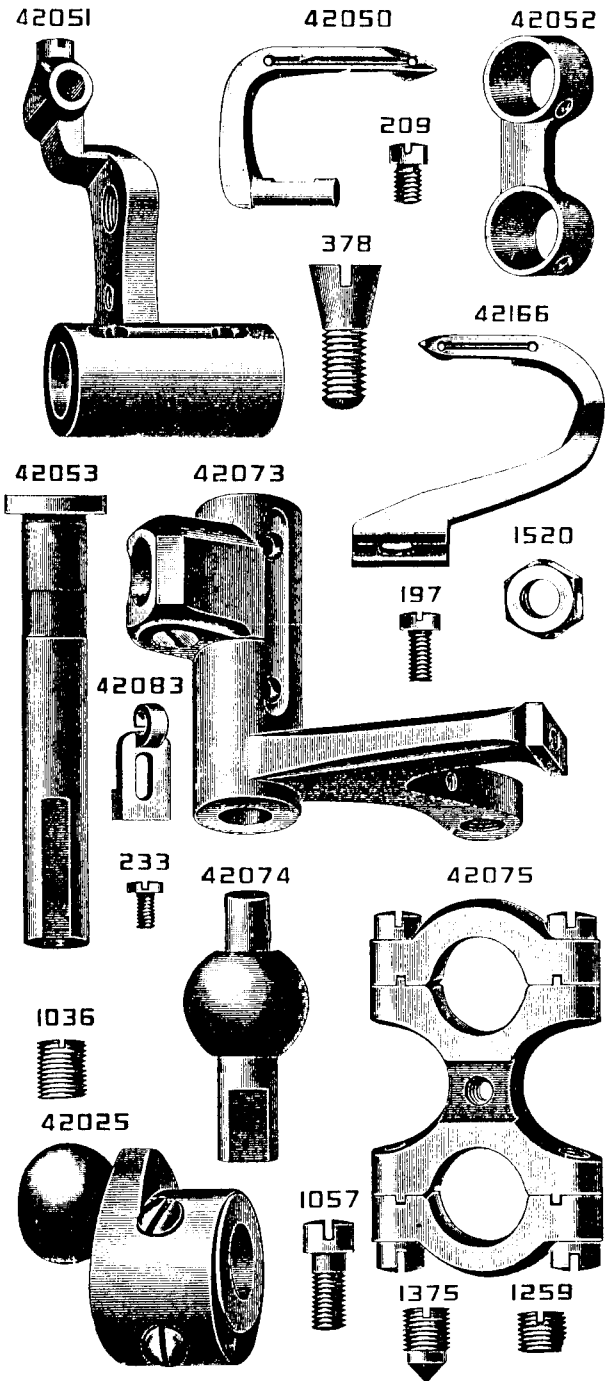


PLATE 5554—FULL SIZE

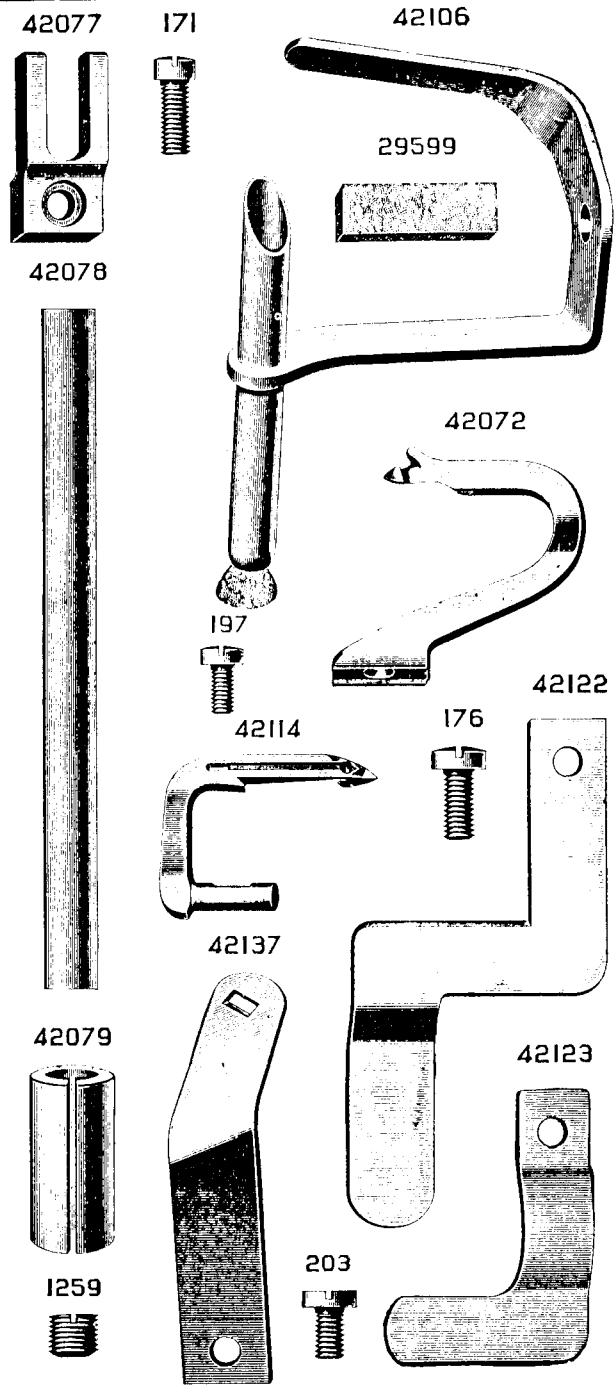


PLATE 5556—FULL SIZE

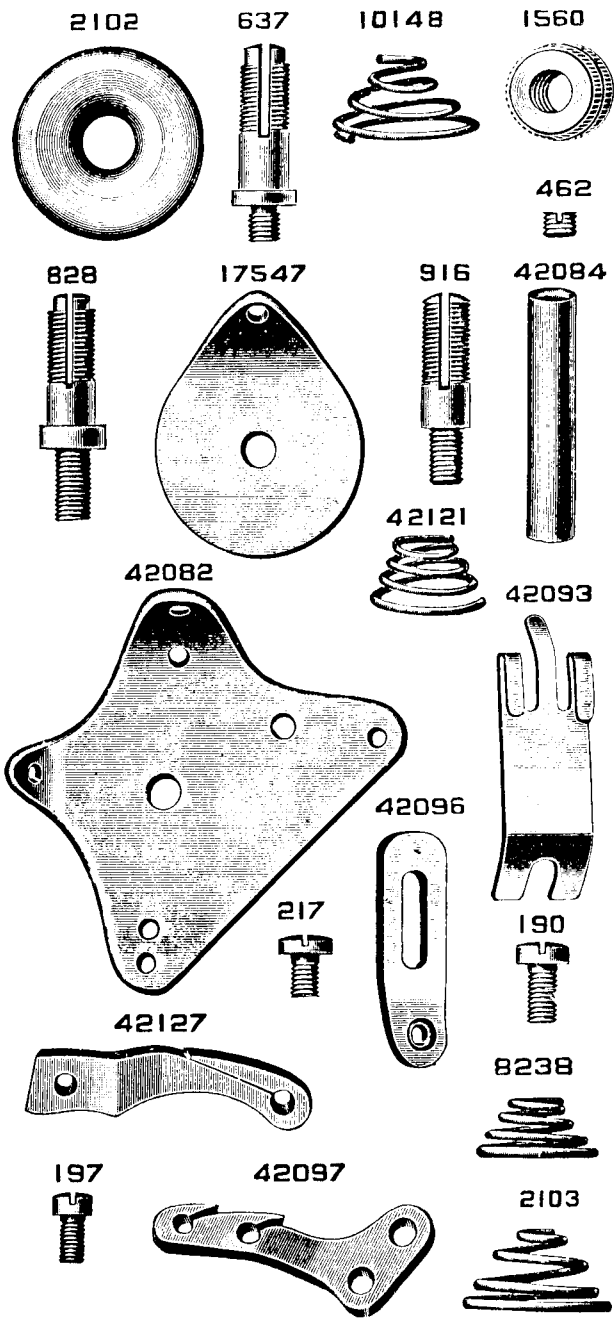


PLATE 5560—FULL SIZE

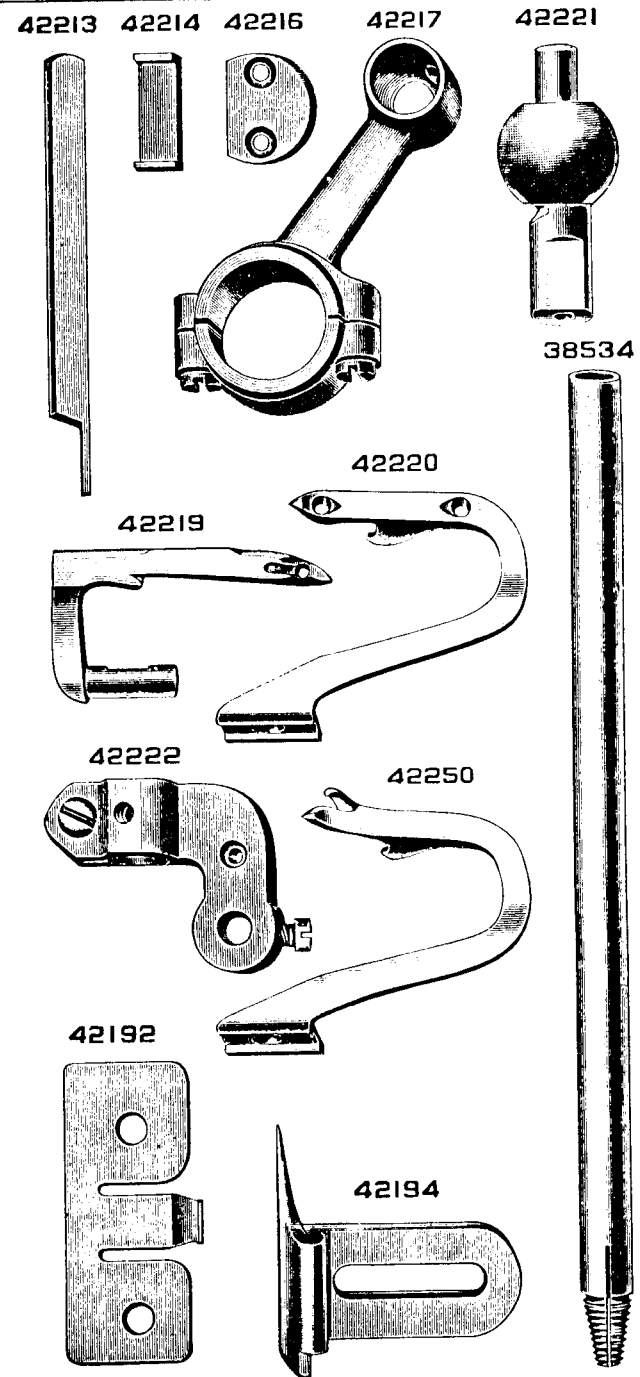


PLATE 5562—FULL SIZE

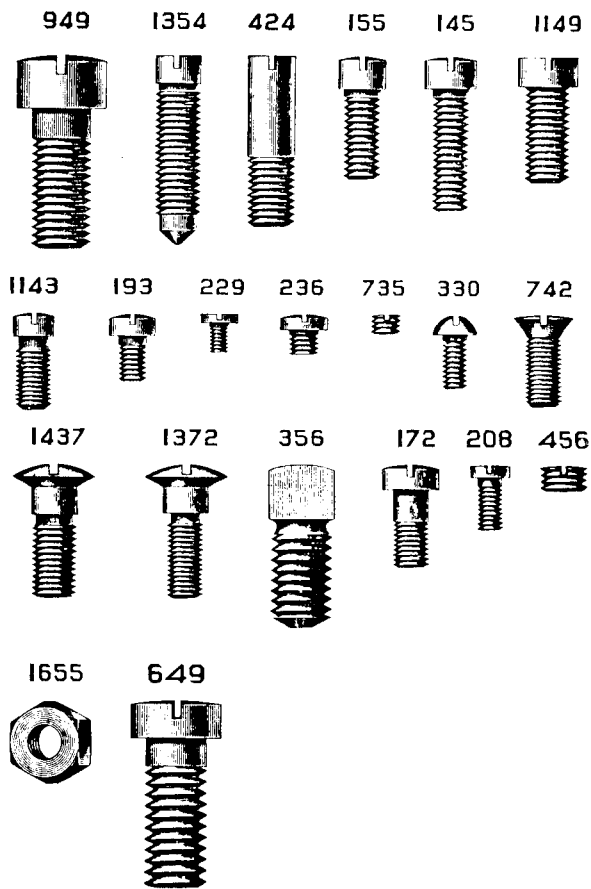


PLATE 5563—FULL SIZE

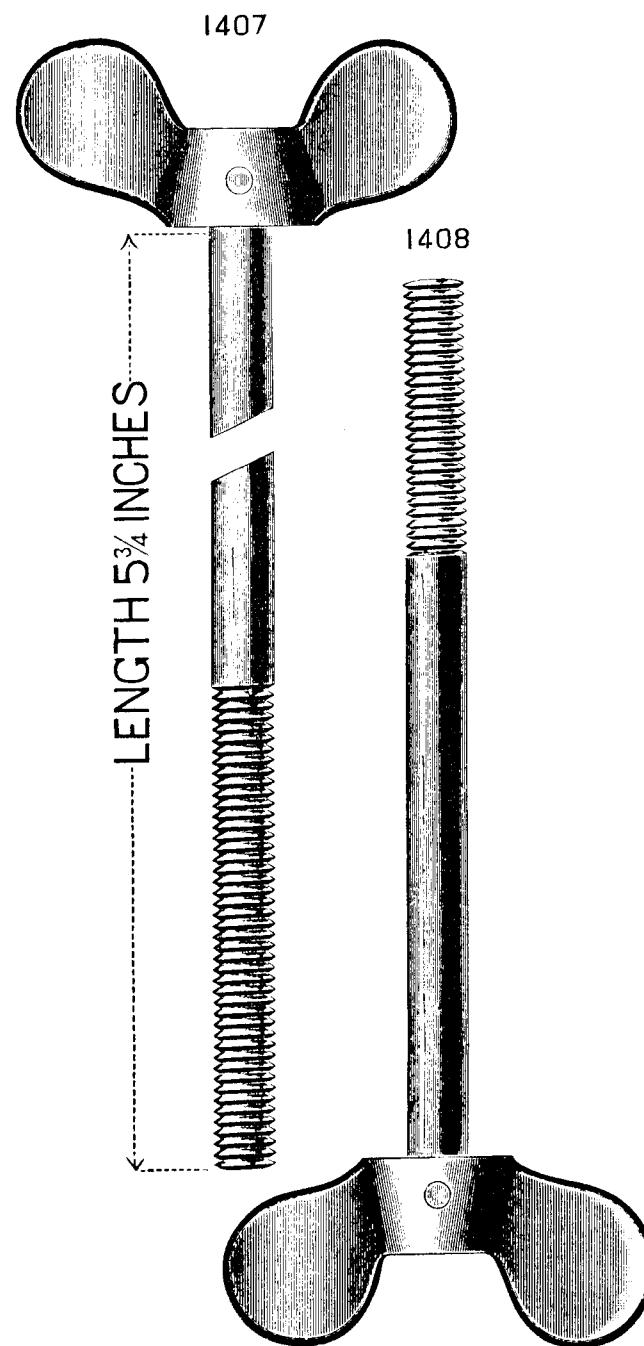


PLATE 5564—ONE-FOURTH SIZE

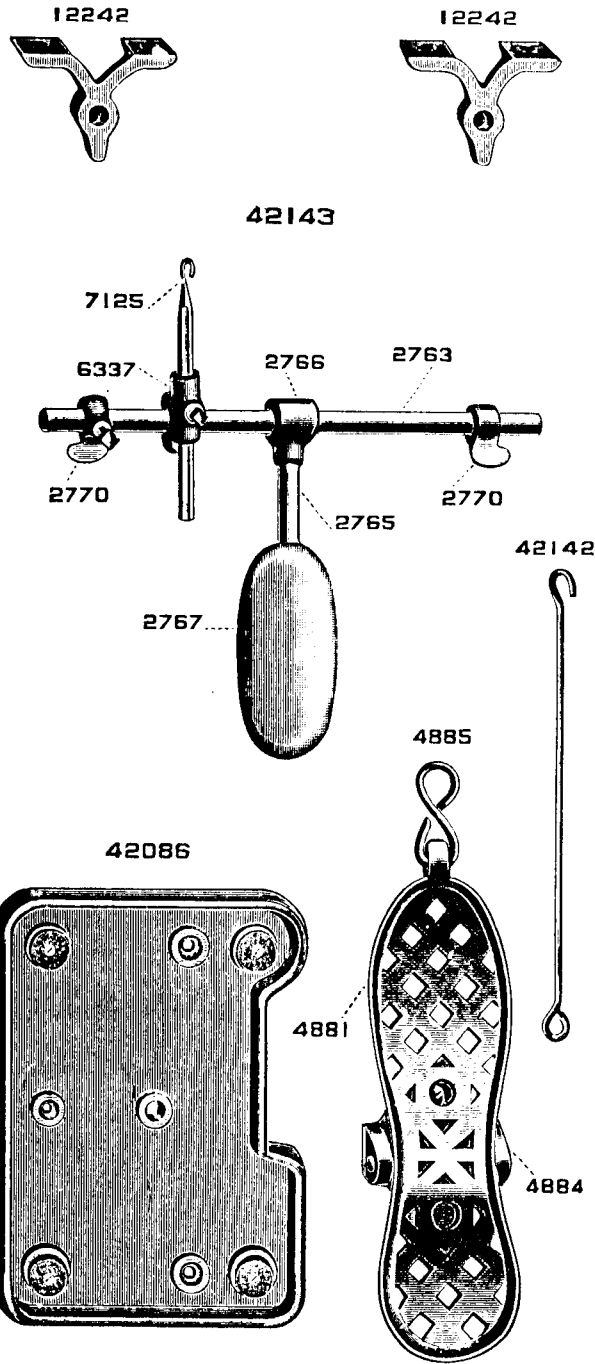


PLATE 5566—ONE-HALF SIZE

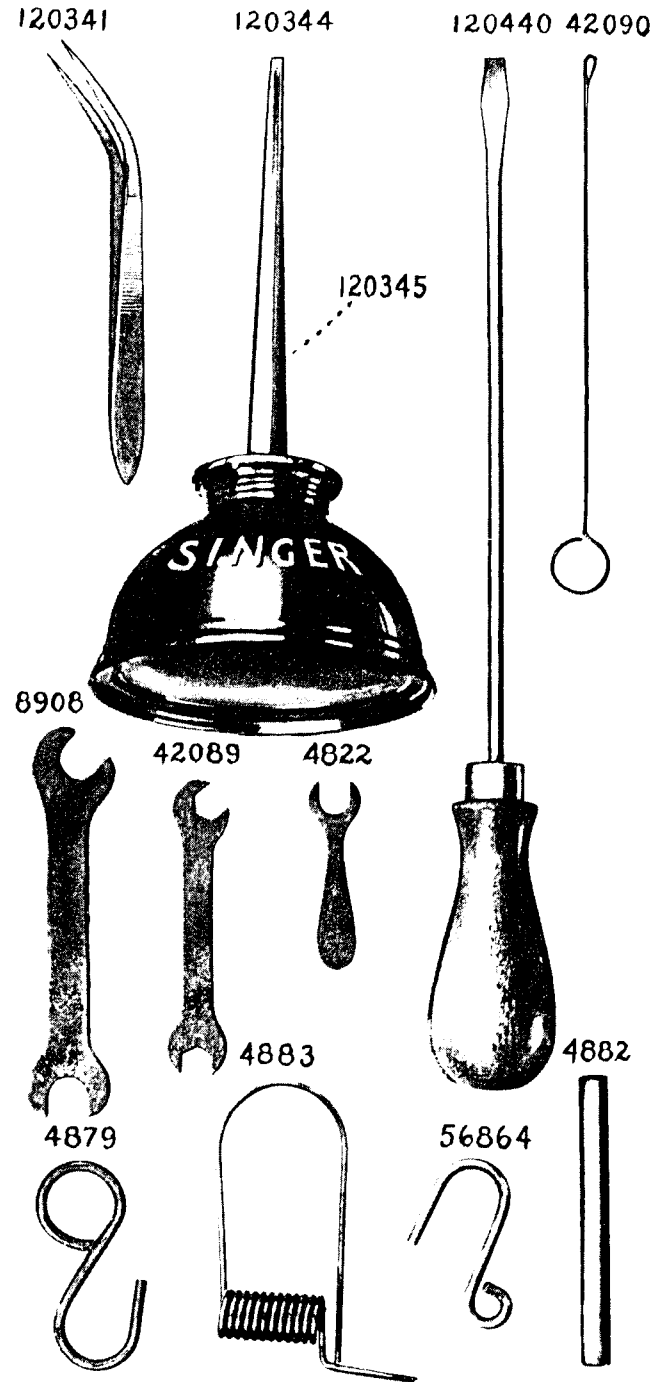


PLATE 5567—ONE-HALF SIZE

41329

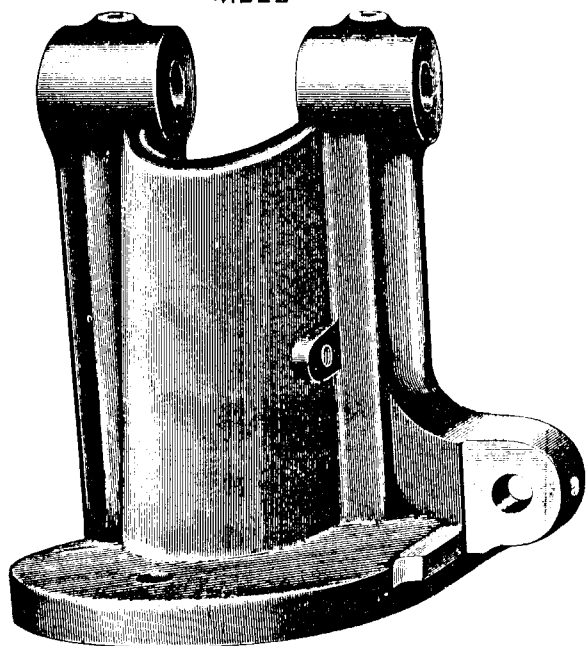
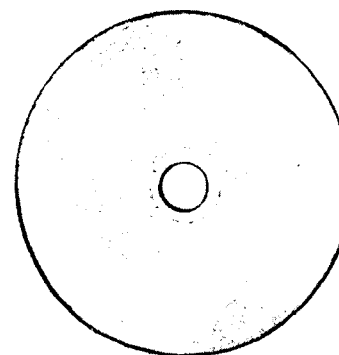


PLATE 5568—ONE-HALF SIZE

41327



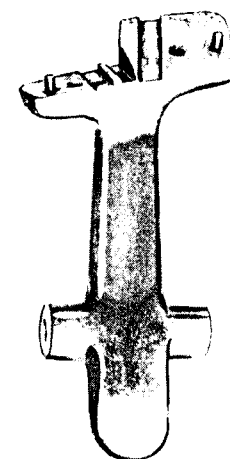
41326



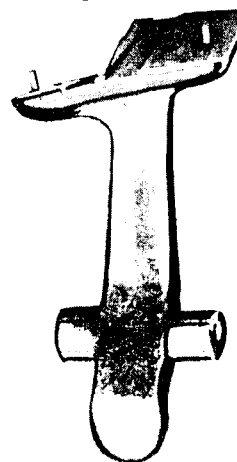
41328



41330



41818



41331

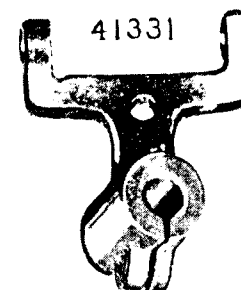


PLATE 5586—FULL SIZE

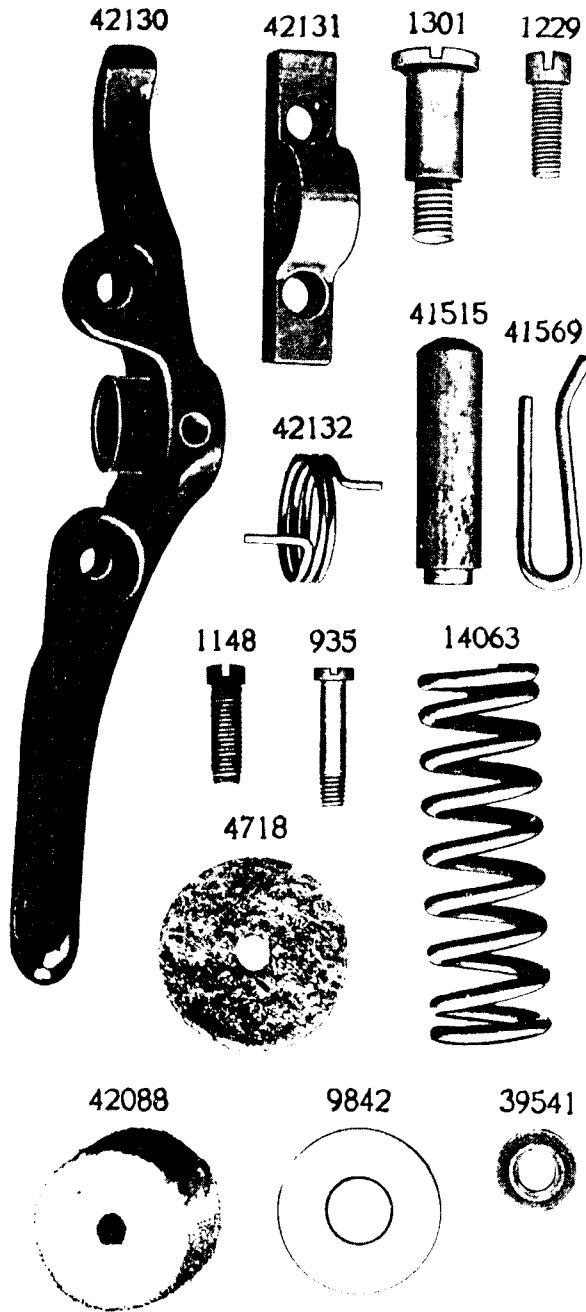


PLATE 5592—FULL SIZE

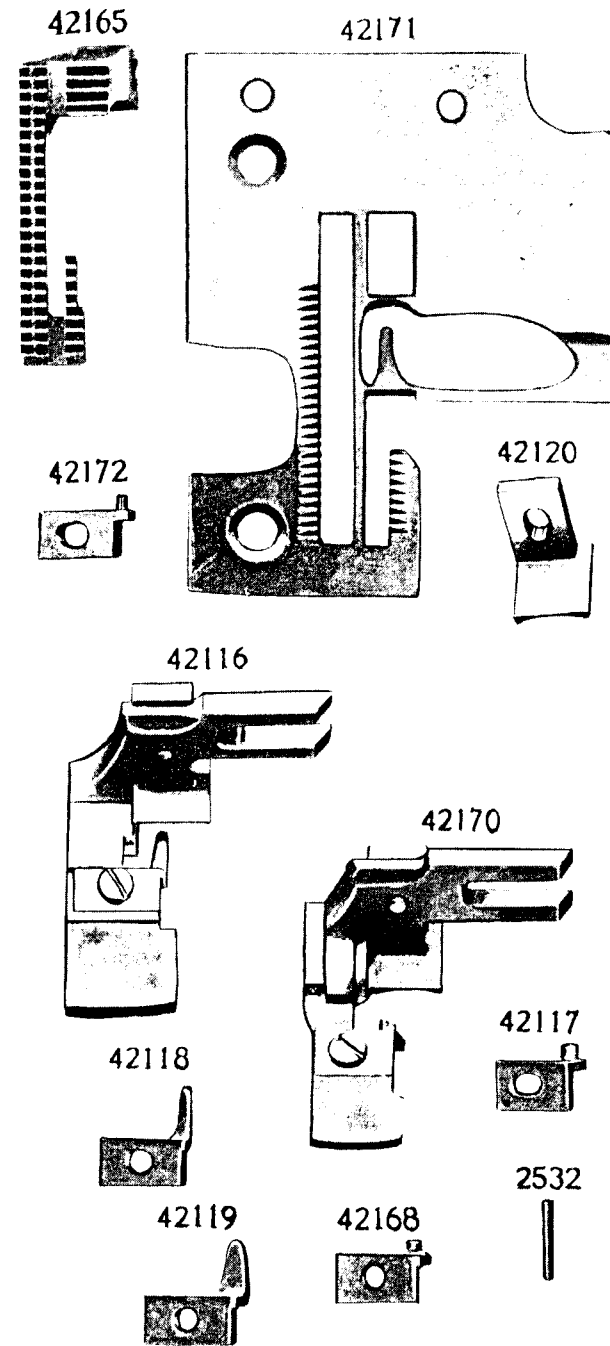


PLATE 5595—FULL SIZE

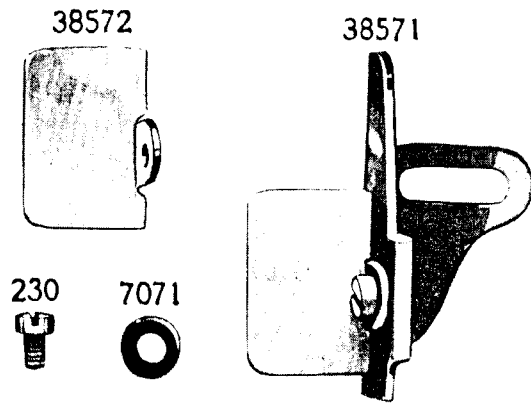
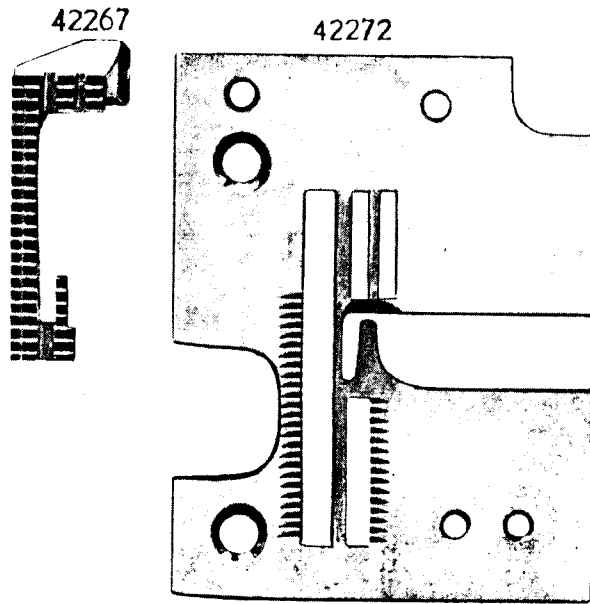


PLATE 5596—FULL SIZE

