

**SINGER**  
11W6,W7

m 1797 w—Revised  
ember, 1927  
NTED IN U. S. A.

# LIST OF PARTS



## MACHINES Nos. 11w6 and 11w7

THE SINGER MANUFACTURING COMPANY

### INDEX

	PAGE
ACCESSORIES .....	23
BOBBIN WINDER .....	24
KNEE LIFTER .....	23
MACHINE NO. 11w6 .....	7
"    "    11w7 .....	16
NUMERICAL LIST OF PARTS .....	27
TRUCK .....	25

## Instructions for Ordering

In ordering from this list, use **ONLY** the **PART** number in the **FIRST** column.

The number stamped on a Sewing Machine Part is the number of the Single Part only, except when the part includes Set Screws, Clamping Screws, Studs and Rollers Spun on, Small Wires riveted, or Parts soldered together, etc., which it is necessary to furnish in combination.

Every combination of parts sent out has its specific number which, although not stamped on Parts (except in above cases) must be used when ordering the combination.

Each number always indicates the **SAME PART** in whatever list it appears, or for whatever Machine.

The letters after some of the numbers indicate the style of finish only, as follows:

- A. Hardened, Polished and Plated.
- B. Polished and Plated.
- C. Hardened only.
- D. Polished only.
- E. Soft, not polished.
- F. Hardened and Polished.
- H. Blued.

These letters **MUST BE USED** when they appear in the list and **AFTER** the number, as in the list.

In this series

200001 to 201500 are Screw Numbers.

201501 to 201800 are Nut Numbers.

201801 to 202000 are Roller Numbers.

202001 and upward are numbers of Machine Parts.

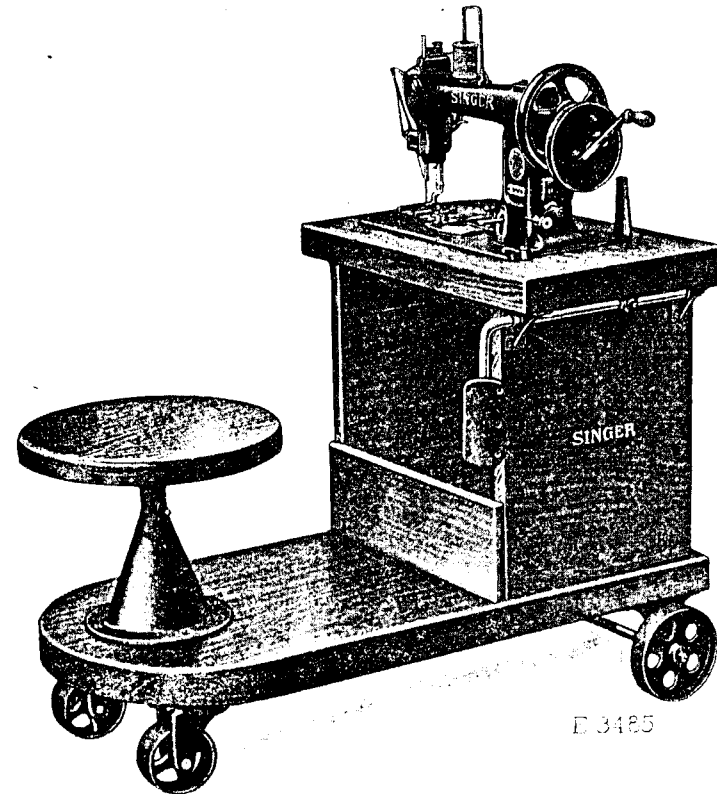
The figures in the second column refer only to the plate in which the illustration of the part is shown and are **NOT TO BE USED** in ordering.

Two or more numbers over a cut indicate that the difference between such parts is not visible in an illustration.

Parts marked with an asterisk (\*) are furnished only when repairs are made at the factory.

## LIST OF PARTS COMPLETE

FOR



## MACHINE No. 11w6

DROP FEED. HAND DRIVING ATTACHMENT

For Stitching or Joining Tape Belts on  
Spinning and Twisting Frames

No.	Plate	Name
*221803	—	Arm with 200009H, 202002, 203922 and 204234 .....
204163	10710	Arm Cap .....
200278H	10710	" " Screw .....
202248	10710	" " " Washer .....
202004	12653	" Position Pin (2) .....
200963E	12659	" Screw (3) .....

## Parts for Machine No. 11w6

No.	Plate	Name
202005	12653	Arm Screw Washer (3) .....
203923	12660	" Shaft .....
202002	12653	" " Bushing .....
200009H	12653	" " " Stop Screw .....
203924	-----	" " Connection with 202009 and two 200054E .....
203925	12660	Arm Shaft Connection 203924 with 203926, two each 200822c, 201525E and 202668 .....
*202009	-----	Arm Shaft Connection Cap .....
200054E	12659	" " " Screw .....
203926	12653	" " " Slide Block .....
203927	10708	" " " " " Stud .....
200427C	12653	" " " " " " .....
200352C	12653	Position Screw .....
203922	12660	Arm Shaft Connection Slide Block Stud Set Screw .....
221804	12660	Arm Side Plate .....
350091E	12659	Balance Wheel with 200335c, 200338c, 202111 and two 200079H .....
202111	10212	" " Gear .....
200079H	10710	" " " Screw .....
200338C	12659	" " Position Screw .....
200335C	12659	" " Set Screw .....
*221838	-----	Bed with 200328c and 205965 .....
202168	12653	" Hinge Connection (2) .....
200575H	10710	" " " Screw (4) .....
202113	-----	" Slide (front) .....
202114	12660	" " 202113 with 202115 and two 200144E .....
202115	12653	Bed Slide (front) Spring .....
200144E	12641	" " " " Screw .....
221805	12661	Belt Guide (back) (adjustable) with 350093c and two 200798E .....
350092D	12659	Belt Guide (back) (adjustable) Screw .....
200681C	12659	Belt Guide (back) (adjustable) Screw Stud .....
221806	12661	Belt Guide (back) Adjusting Slide with 200681c .....
350093C	12659	Belt Guide (back) Adjusting Slide Position Screw .....
200798E	12659	Belt Guide (back) Adjusting Slide Screw Stud .....
201556D	12659	Belt Guide (back) Adjusting Slide Screw Stud Thumb Nut .....
221807	12661	Belt Guide (front) (adjustable) .....
200798E	12659	" " " " Screw Stud .....

## Parts for Machine No. 11w6

No.	Plate	Name
201556D	12659	Belt Guide (front) (adjustable) Screw Stud Thumb Nut .....
221808	12661	Belt Guide Adjusting Lever with 200861B .....
221809	12661	Belt Guide Adjusting Lever Bolster with 200798E .....
350094D	12659	Belt Guide Adjusting Lever Hinge Screw .....
350095C	12659	Belt Guide Adjusting Lever Posi- tion Screw .....
201535H	12641	Belt Guide Adjusting Lever Posi- tion Screw Nut .....
200798E	12659	Belt Guide Adjusting Lever Screw Stud .....
201556D	12659	Belt Guide Adjusting Lever Screw Stud Thumb Nut .....
200861B	12659	Belt Guide Adjusting Lever Thumb Screw .....
221810	12661	Belt Guide Base Plate .....
221811	-----	Adjustable Belt Guide Attachment complete, Nos. 201535H, 221805 to 221810, 350094D, 350095C, two 350092D and three 201556D ....
200577H	12653	Adjustable Belt Guide Attachment Screw .....
200911D	12659	Adjustable Belt Guide Attachment Screw .....
202053	12653	Bobbin .....
*221812	-----	" Case .....
202055	12653	" " Latch .....
*202056	-----	" " " Pin .....
*202100	-----	" " " Post .....
202101	12653	" " " " Washer .....
202057	12653	" " " Spring .....
202058	12653	" " " " Plunger .....
200597F	12659	" " Tension Regulating Screw .....
203932	12653	Bobbin Case Tension Spring .....
200594C	12653	" " " " Screw .....
221813	12659	Bobbin Case complete, Nos. 200594C, 200597F, 202055 to 202058, 202100, 202101, 203932 and 221812
203934	10706	Bobbin Case Stop .....
200390C	10706	" " " Adjusting Screw .....
203936	10706	" " " Bracket .....
200027E	10706	" " " " Screw .....
205979	12653	" " " Hinge Pin .....
203935	10706	" " " Spring .....

No.	Plate	Name
203966	10706	Bobbin Case Stop Bracket complete, Nos. 200390c, 203934 to 203936 and 205979 .....
221814	12659	Bobbin Winder Frame .....
200229D	12659	" " " Hinge Screw .....
202134	12659	" " " Spring .....
202140	12659	" " " Stop Pin .....
202141	12659	" " Pulley .....
202189	12659	" " Spindle .....
204925	12659	" " " Washer .....
221815	---	Bobbin Winder complete, Nos. 202141, 202189, 204925 and 221814 .....
203937	12643	Face Plate with 202023, 202087, 204281 and four 200368H .....
200053C	12659	Face Plate Screw .....
202023	12653	" " Thread Guide .....
200368H	12653	" " " " Set Screw .....
221839	---	Face Plate complete, Nos. 200577H, 203937, 203965, 204059, 204795 and 221840 .....
203939	12642	Feed Bar with 204340 .....
200365C	12653	" " Adjusting Screw .....
203940	10706	" " " Spring (flat) .....
200131E	12659	" " " " Screw .....
200415C	10706	" " Screw Center .....
201525E	10706	" " " Nut .....
203941	10706	" " Spring (spiral) .....
204340	12659	" " " Hook .....
204189	12659	" " " " (on Bed) .....
221844	---	Feed Bar complete, Nos. 200365C, 203939, 203940, 221816 and four 200131E .....
221816	12664	Feed Dog .....
200131E	12659	" " Screw .....
203943	10708	" Driving Crank .....
205977	---	" " " 203943 with 200252c, 201531E and 203944 .....
203944	10708	Feed Driving Crank Link .....
200252c	10708	" " " " Screw Stud .....
201531E	10708	Feed Driving Crank Link Screw Stud Nut .....
200648E	10706	Feed Driving Crank Screw Stud .....
200372c	10706	" " " " " " Check Screw .....
202668	12659	Feed Driving Crank Slide Block .....
200822c	12659	" " " " " " Screw Stud .....
201525E	10706	Feed Driving Crank Slide Block Screw Stud Nut .....

No.	Plate	Name
203945	12642	Feed Driving Rock Shaft with two each 200415c and 201525E .....
203946	12642	Feed Driving Rock Shaft Crank with two each 200378c, 200415c and 201525E .....
203947	12642	Feed Driving Rock Shaft Crank Connection with 200819c .....
200415c	10706	Feed Driving Rock Shaft Crank Connection Screw Center .....
201525E	10706	Feed Driving Rock Shaft Crank Connection Screw Center Nut ..
200378c	12653	Feed Driving Rock Shaft Crank Set Screw .....
200414c	10706	Feed Driving Rock Shaft Screw Center (2) .....
201512E	10706	Feed Driving Rock Shaft Screw Center Nut (2) .....
203948	10706	Feed Lifting Cam with 200390c and 202126 .....
202126	12653	Feed Lifting Cam Position Pin .....
200390c	10706	" " " Set Screw .....
*221817	---	" Regulating Handle .....
203950	10708	" " " Escutcheon .....
200137H	10708	" " " " Screw (2) .....
202064	12653	Feed Regulating Handle Position Pin .....
*203951	---	Feed Regulator and Reverser .....
221841	---	" " " " 203951 with 202064 and 221817 .....
204213	12641	Feed Regulator and Reverser Sleeve (split) .....
200362c	10708	Feed Regulator and Reverser Sleeve Set Screw .....
202668	12659	Feed Regulator and Reverser Slide Block .....
200819c	12663	Feed Regulator and Reverser Slide Block Screw Stud .....
221818	12663	Feed Regulator and Reverser Stop .....
204234	10708	" " " " " " Pin .....
200113F	10708	Feed Regulator and Reverser Stop Screw .....
203954	10708	Feed Regulator and Reverser Stop Screw Washer .....
200084F	10708	Feed Regulator and Reverser Stop Screw Washer Screw .....
*202116	---	Hand Wheel .....
*208712	---	" " 202116 with 202121 and 204389 .....

No.	Plate	Name
202117	10212	Hand Wheel 208712 with 202125, three each 200079H and 202126 ..
202123	10212	Hand Wheel Bracket with 200363c and 202140 .....
202124	12663	Hand Wheel Bracket Eccentric Stud
200363c	12663	" " " " " " Set Screw .....
200036E	12663	Hand Wheel Bracket Screw (2) ...
202118	10212	" " Crank .....
202119	10212	" " " Handle (wood) ..
200212E	10212	" " " Screw ...
201528E	12663	" " " " " Nut ...
202120	12663	" " " Hinge Pin .....
202121	12663	" " " Lock Pin .....
204389	12663	" " " " " Spring
*202125	—	" " Gear .....
202126	12653	" " " Position Pin ...
200079H	10710	" " " Screw .....
202127	10212	" " Latch with 202128 .....
202128	12663	" " " Pin .....
200319E	12663	" " " Screw .....
204986	12663	" " " Spring .....
200319E	12663	" " " " Screw ...
202130	—	Hand Wheel complete, Nos. 200212E, 201528E, 202117 to 202120, 202127, 204986 and two 200319E .....
205949	—	Hand Wheel Bracket complete, Nos. 202123, 202124 and 202130 .....
*202051	—	Hook (sewing) .....
208742	12642	" 202051 with 200610E, 200611E, 202063, 202064 and 208741 .....
203955	—	Hook 208742 with 203948 and 203956
221819	—	Hook and Bobbin Case complete, Nos. 203955 and 221813 .....
202063	12653	Hook Gib .....
200610E	12653	" " Hinge Screw .....
200611E	12653	" " Screw .....
202064	12653	" Pin .....
*208741	—	" Shaft, 9/16 in. long .....
205965	12653	" " Bushing .....
200328c	10706	" " " Position Screw ..
208825	12653	" " Crank .....
205980	—	" " " 208825 with two 200378c .....
200378c	12653	Hook Shaft Crank Set Screw .....
202668	12659	" " " Slide Block .....
200822c	12659	" " " " " Screw Stud .....

No.	Plate	Name
201525E	10706	Hook Shaft Crank Slide Block Screw Stud Nut .....
203956	12656	Hook Washer .....
203971	12665	Knee Lifter Connection Lever with 203976 .....
203974	—	Knee Lifter Connection Lever 203971 with 203972, 203973 and two 200262H .....
200262H	12656	Knee Lifter Connection Lever Hinge Screw .....
203972	12665	Knee Lifter Connection Lever Lifting Rod with 202302 .....
202302	10710	Knee Lifter Connection Lever Lifting Rod Cotter Pin .....
203976	10710	Knee Lifter Connection Lever Pin
203973	12665	" " Lifting Lever .....
200262H	12656	" " " " Hinge Screw .....
203957	12642	Needle Bar with 200117E, 200175D and 203967 .....
203959	12663	Needle Bar Connecting Link .....
200667c	12663	" " " " Screw Stud .....
*208735	—	Needle Bar Connecting Stud .....
208736	12656	" " " " 208735 with two 200387c .....
200387c	12663	Needle Bar Connecting Stud Set Screw .....
203967	12663	Needle Bar Thread Guide .....
200175D	12663	" " " " Screw ..
200117E	12656	" Set Screw .....
203958	12642	Presser Bar (hollow) with 200074E
202046	12663	" " Guide Bracket with 200387c .....
200387c	12663	Presser Bar Guide Bracket Set Screw .....
202047	12663	Presser Bar Lifter .....
200026D	12656	" " " Hinge Screw ..
202048	12656	" " Sleeve .....
221820	12663	" " Spring .....
200499B	12656	" " Thumb Screw (pressure regulating) .....
221821	12664	Presser Foot .....
200074E	12656	" " Screw .....
202068	10710	Spool Holder Base .....
200575H	10710	" " " Screw .....
204296	10710	" " Wire .....
200079H	10710	" " " Hinge Screw ...

No.	Plate	Name
204297	—	Spool Holder complete, Nos. 200079H, 202068 and 204296 .....
221843	12642	Take-up Cam with 200335c, 200431c and 200667c .....
200431c	12663	Take-up Cam Position Screw .....
200335c	12659	" " Set Screw .....
203961	12664	" Lever with 201816 .....
200251H	12664	" " Bearing Screw .....
201816	12656	" " Roller .....
202074	12664	Tension Pulley .....
202149	12656	" Release Plunger .....
208696	—	" Slide .....
202076	12656	" " 208696 with 202077 .....
202077	12656	" Spring .....
202078	12664	" Spring .....
200630B	12664	" Stud .....
200368H	12653	" " Set Screw .....
201572B	12656	" Thumb Nut .....
204271	12656	" Washer (steel) .....
205656	—	" " (felt) .....
202079	—	" " " .....
221840	—	Tension complete, Nos. 200630B, 201572B, 202074, 202078, 202079, 202149, 204271 and 205656 .....
204274	12656	Thread Controller Plate .....
200577H	12653	" " " Screw .....
202098	12656	" " Roller .....
204275	12656	" " " Guard .....
202084	12656	" " " Washer .....
200300c	12656	" " " Screw .....
203964	12664	" " Spring .....
204333	12656	" " " Guard .....
200581H	12656	" " " Screw .....
202087	12664	" " " Stop .....
204795	12664	" " " Stud with 204925 .....
200368H	12653	Thread Controller Spring Stud Set Screw .....
204925	12659	Thread Controller Spring Stud Washer .....
203965	12664	Thread Controller complete, Nos. 200300c, 200581H, 202084, 202098, 203964, 204274, 204275 and 204333 .....
202095	12656	Thread Cutter .....
200137H	10708	" " Screw .....
204281	12656	" Retainer Guide Wire .....
202091	12656	" " Sleeve .....
202092	12656	" " Spring (spiral) .....
204058	12656	" " Stud .....

## LIST OF PARTS COMPLETE

FOR

## MACHINE No. 11w7

DROP FEED. MOTOR DRIVE

For Stitching or Joining Tape Belts on Spinning  
and Twisting Frames

No.	Plate	Name
*221803	—	Arm with 200009H, 202002, 203922 and 204234 .....
204163	10710	Arm Cap .....
200278H	10710	" " Screw .....
202248	10710	" " " Washer .....
202004	12653	" Position Pin (2) .....
200963E	12659	" Screw (3) .....
202005	12653	" " Washer (3) .....
203923	12660	" Shaft .....
202002	12653	" " Bushing .....
200009H	12653	" " " Stop Screw .....
203924	—	" " Connection with 202009 and two 200054E .....
203925	12660	Arm Shaft Connection 203924 with 203926, two each 200822c, 201525E and 202668 .....
*202009	—	Arm Shaft Connection Cap .....
200054E	12659	" " " Screw .....
203926	12653	" " " Slide Block .....
203927	10708	" " " " " Stud .....
200427c	12653	" " " " " " " " Position Screw .....
200352c	12653	Arm Shaft Connection Slide Block Stud Set Screw .....
203922	12660	Arm Side Plate .....
203969	12643	Balance Wheel, 5½ in. diam. (belt groove 2¼ in. diam.), with 200328c and 200335c .....
200062H	12641	Balance Wheel Adjusting Screw .....
200328c	10706	" " Position Screw .....
208783	12643	" " Pulley, 2¼ in. diameter .....
202015	12641	Balance Wheel Pulley Spring Washer .....

No.	Plate	Name
200368H	12653	Thread Retainer Stud Set Screw ..
204059	---	Thread Retainer complete, Nos. 202091, 202092 and 204058 .....
221822	12664	Throat Plate, 38 needle hole, for needle sizes 23 and 24 .....
200577H	12653	Throat Plate Screw (2) .....

No.	Plate	Name
200335c	12659	Balance Wheel Set Screw .....
201569B	12641	" " Thumb Nut with 200609F .....
200609F	12641	Balance Wheel Thumb Nut Stop Screw .....
202016	12641	Balance Wheel Thumb Nut Stop Washer .....
203968	---	Balance Wheel complete, Nos. 201569B, 202015, 202016, 203969 and 208783 .....
*221838	---	Bed with 200328c and 205965 .....
202168	12653	" Hinge Connection (2) .....
200575H	10710	" " " Screw (4) ....
202113	---	" Slide (front) .....
202114	12660	" " 202113 with 202115 and two 200144E .....
202115	12653	Bed Slide (front) Spring .....
200144E	12641	" " " " Screw ...
221805	12661	Belt Guide (back) (adjustable) with 350093c and two 200798E .....
350092D	12659	Belt Guide (back) (adjustable) Screw .....
200681c	12659	Belt Guide (back) (adjustable) Screw Stud .....
221806	12661	Belt Guide (back) Adjusting Slide with 200681c .....
350093c	12659	Belt Guide (back) Adjusting Slide Position Screw .....
200798E	12659	Belt Guide (back) Adjusting Slide Screw Stud .....
201556D	12659	Belt Guide (back) Adjusting Slide Screw Stud Thumb Nut .....
221807	12661	Belt Guide (front) (adjustable) ...
200798E	12659	" " " " Screw Stud .....
201556D	12659	Belt Guide (front) (adjustable) Screw Stud Thumb Nut .....
221808	12661	Belt Guide Adjusting Lever with 200861B .....
221809	12661	Belt Guide Adjusting Lever Bolster with 200798E .....
350094D	12659	Belt Guide Adjusting Lever Hinge Screw .....
350095c	12659	Belt Guide Adjusting Lever Posi- tion Screw .....
201535H	12641	Belt Guide Adjusting Lever Posi- tion Screw Nut .....
200798E	12659	Belt Guide Adjusting Lever Screw Stud .....



No.	Plate	Name
201556D	12659	Belt Guide Adjusting Lever Screw Stud Thumb Nut .....
200861B	12659	Belt Guide Adjusting Lever Thumb Screw .....
221810	12661	Belt Guide Base Plate .....
221811	—	Adjustable Belt Guide Attachment complete, Nos. 201535H, 221805 to 221810, 350094D, 350095C, two 350092D and three 201556D .....
200577H	12653	Adjustable Belt Guide Attachment Screw .....
200911D	12659	Adjustable Belt Guide Attachment Screw .....
202053	12653	Bobbin .....
*221812	—	" Case .....
202055	12653	" " Latch .....
*202056	—	" " Pin .....
*202100	—	" " Post .....
202101	12653	" " " Washer .....
202057	12653	" " " Spring .....
202058	12653	" " " Plunger .....
200597F	12659	" " Tension Regulating Screw .....
203932	12653	Bobbin Case Tension Spring .....
200594C	12653	" " " " Screw .....
221813	12659	Bobbin Case complete, Nos. 200594C, 200597F, 202055 to 202058, 202100, 202101, 203932 and 221812 .....
203934	10706	Bobbin Case Stop .....
200390C	10706	" " " Adjusting Screw .....
203936	10706	" " " Bracket .....
200027E	10706	" " " Screw .....
205979	12653	" " " Hinge Pin .....
203935	10706	" " " Spring .....
203966	19706	Bobbin Case Stop Bracket complete, Nos. 200390C, 203934 to 203936 and 205979 .....
203937	12643	Face Plate with 202023, 202087, 204281 and four 200368H .....
200053C	12659	Face Plate Screw .....
202023	12653	" " Thread Guide .....
200368H	12653	" " " " Set Screw .....
221839	—	Face Plate complete, Nos. 200577H, 203937, 203965, 204059, 204795 and 221840 .....
203939	12642	Feed Bar with 204340 .....
200365C	12653	" " Adjusting Screw .....
203940	10706	" " " Spring (flat) .....
200131E	12659	" " " " Screw .....
200415C	10706	" " Screw Center .....

No.	Plate	Name
201525E	10706	Feed Bar Screw Center Nut .....
203941	10706	" " Spring (spiral) .....
204340	12659	" " " Hook .....
204189	12659	" " " " (on Bed) .....
221844	—	Feed Bar complete, Nos. 200365C, 203939, 203940, 221816 and four 200131E .....
221816	12664	Feed Dog .....
200131E	12659	" " Screw .....
203943	10708	" Driving Crank .....
205977	—	" " " 203943 with 200252C, 201531E and 203944 .....
203944	10708	Feed Driving Crank Link .....
200252C	10708	" " " " Screw Stud .....
201531E	10708	Feed Driving Crank Link Screw Stud Nut .....
200648E	10706	Feed Driving Crank Screw Stud .....
200372C	10706	" " " " " Check Screw .....
202668	12659	Feed Driving Crank Slide Block .....
200822C	12659	" " " " " Screw Stud .....
201525E	10706	Feed Driving Crank Slide Block Screw Stud Nut .....
203945	12642	Feed Driving Rock Shaft with two each 200415C and 201525E .....
203946	12642	Feed Driving Rock Shaft Crank with two each 200378C, 200415C and 201525E .....
203947	12642	Feed Driving Rock Shaft Crank Connection with 200819C .....
200415C	10706	Feed Driving Rock Shaft Crank Connection Screw Center .....
201525E	10706	Feed Driving Rock Shaft Crank Connection Screw Center Nut .....
200378C	12653	Feed Driving Rock Shaft Crank Set Screw .....
200414C	10706	Feed Driving Rock Shaft Screw Center (2) .....
201512E	10706	Feed Driving Rock Shaft Screw Center Nut (2) .....
203948	10706	Feed Lifting Cam with 200390C and 202126 .....
202126	12653	Feed Lifting Cam Position Pin .....
200390C	10706	" " " Set Screw .....
*221817	—	" Regulating Handle .....
203950	10708	" " " Escutcheon .....
200137H	10708	" " " " Screw (2) .....

No.	Plate	Name
202064	12653	Feed Regulating Handle Position Pin .....
*203951	—	Feed Regulator and Reverser .....
221841	—	“ “ “ “ 203951 with 202064 and 221817 .....
204213	12641	Feed Regulator and Reverser Sleeve (split) .....
200362c	10708	Feed Regulator and Reverser Sleeve Set Screw .....
202668	12659	Feed Regulator and Reverser Slide Block .....
200819c	12663	Feed Regulator and Reverser Slide Block Screw Stud .....
221818	12663	Feed Regulator and Reverser Stop
204234	10708	“ “ “ “ “ Pin .....
200113F	10708	Feed Regulator and Reverser Stop Screw .....
203954	10708	Feed Regulator and Reverser Stop Screw Washer .....
200084F	10708	Feed Regulator and Reverser Stop Screw Washer Screw .....
*202051	—	Hook (sewing) .....
208742	12642	“ 202051 with 200610F, 200611F, 202063, 202064 and 208741 .....
203955	—	Hook 208742 with 203948 and 203956
221819	—	Hook and Bobbin Case complete, Nos. 203955 and 221813 .....
202063	12653	Hook Gib .....
200610F	12653	“ “ Hinge Screw .....
200611F	12653	“ “ Screw .....
202064	12653	“ Pin .....
*208741	—	“ Shaft, 9¼ in. long .....
205965	12653	“ “ Bushing .....
200328c	19706	“ “ “ Position Screw ..
208825	12653	“ “ Crank .....
205980	—	“ “ “ 208825 with two 200378c .....
200378c	12653	Hook Shaft Crank Set Screw .....
202668	12659	“ “ “ Slide Block .....
200822c	12659	“ “ “ “ “ Screw Stud .....
201525E	10706	Hook Shaft Crank Slide Block Screw Stud Nut .....
203956	12656	Hook Washer .....
203971	12665	Knee Lifter Connection Lever with 203976 .....
203974	—	Knee Lifter Connection Lever 203971 with 203972, 203973 and two 200262u .....

No.	Plate	Name
200262u	12656	Knee Lifter Connection Lever Hinge Screw .....
203972	12665	Knee Lifter Connection Lever Lift- ing Rod with 202302 .....
202302	10710	Knee Lifter Connection Lever Lift- ing Rod Cotter Pin .....
203976	10710	Knee Lifter Connection Lever Pin
203973	12665	“ “ Lifting Lever .....
200262u	12656	“ “ “ “ Hinge Screw .....
203957	12642	Needle Bar with 200117F, 200175D and 203967 .....
203959	12663	Needle Bar Connecting Link .....
200667c	12663	“ “ “ “ Screw Stud .....
*208735	—	Needle Bar Connecting Stud .....
208736	12656	“ “ “ “ 208735 with two 200387c .....
200387c	12663	Needle Bar Connecting Stud Set Screw .....
203967	12663	Needle Bar Thread Guide .....
200175D	12663	“ “ “ “ Screw ...
200117F	12656	“ Set Screw .....
203958	12642	Presser Bar (hollow) with 200074F
202046	12663	“ “ Guide Bracket with 200387c .....
200387c	12663	Presser Bar Guide Bracket Set Screw .....
202047	12663	Presser Bar Lifter .....
200026D	12656	“ “ “ Hinge Screw ...
202048	12656	“ “ Sleeve .....
221820	12663	“ “ Spring .....
200499u	12656	“ “ Thumb Screw (pres- sure regulating) .....
221821	12664	Presser Foot .....
200074F	12656	“ “ Screw .....
202068	19710	Spool Holder Base .....
200575u	10710	“ “ “ Screw .....
204296	10710	“ “ Wire .....
200079u	10710	“ “ “ Hinge Screw ...
204297	—	Spool Holder complete, Nos. 200079u, 202068 and 204296 .....
221843	12642	Take-up Cam with 200335c, 200431c and 200667c .....
200431c	12663	Take-up Cam Position Screw .....
200335c	12659	“ “ Set Screw .....
203961	12664	“ Lever with 201816 .....
200251u	12664	“ “ Bearing Screw .....
201816	12656	“ “ Roller .....

No.	Plate	Name
202074	12664	Tension Pulley .....
202149	12656	" Release Plunger .....
208696	---	" Slide .....
202076	12656	" " 208696 with 202077 .....
202077	12656	" " Spring .....
202078	12664	" Spring .....
200630B	12664	" Stud .....
200368H	12653	" " Set Screw .....
261572B	12656	" Thumb Nut .....
204271	12656	" Washer (steel) .....
205656	---	" " (felt) .....
202079	---	" " " .....
221840	---	Tension complete, Nos. 200630B, 201572B, 202074, 202078, 202079, 202149, 204271 and 205656 .....
204274	12656	Thread Controller Plate .....
200577H	12653	" " " Screw .....
202098	12656	" " Roller .....
204275	12656	" " Guard .....
202084	12656	" " " Washer .....
200300C	12656	" " " Screw .....
203964	12664	" " Spring .....
204333	12656	" " Guard .....
200581H	12656	" " " Screw .....
202087	12664	" " Stop .....
204795	12664	" " Stud with 204925 .....
200368H	12653	Thread Controller Spring Stud Set Screw .....
204925	12659	Thread Controller Spring Stud Washer .....
203965	12664	Thread Controller complete, Nos. 200300C, 200581H, 202084, 202098, 203964, 204274, 204275 and 204333 .....
202095	12656	Thread Cutter .....
200137H	10708	" " Screw .....
204281	12656	" Retainer Guide Wire .....
202091	12656	" " Sleeve .....
202092	12656	" Spring (spiral) .....
201058	12656	" " Stud .....
200368H	12653	" " " Set Screw .....
204059	---	Thread Retainer complete, Nos. 202091, 202092 and 204058 .....
221822	12664	Throat Plate, 38 needle hole, for needle sizes 23 and 24 .....
200577H	12653	Throat Plate Screw (2) .....

## ACCESSORIES

FOR MACHINE No. 11w6

No.	Plate	Name
202053	12653	Bobbin (5) .....
*225482	---	" Case Screw Driver Blade ..
*225483	---	" " " " Handle ..
225497	12666	Bobbin Case Screw Driver com- plete, Nos. 225482 and 225483 ..
128 x 3	---	Needles, six, size 23 .....
225045	---	Drip Pan with four wood screws $\frac{1}{2}$ in., No. 5 .....
36569	12666	Oiler with 36571 .....
36570	---	" 36569, filled with oil .....
36571	12666	" Spout, 1 $\frac{1}{2}$ in. long, with 36807 ..
36807	---	" " Washer (leather) .....
*225484	---	Screw Driver Blade .....
*225485	---	" " Handle .....
225498	12666	Screw Driver complete (7 $\frac{1}{2}$ in. long), Nos. 225484 and 225485 ..
225553	12666	Wrench (steel) .....
<b>KNEE LIFTER</b>		
221823	12665	Knee Lifter Rock Lever with three 200528C .....
221824	12665	Knee Lifter Rock Lever Knee Plate with 200526C .....
221825	12665	Knee Lifter Rock Lever Knee Plate Arm .....
221842	12664	Knee Lifter Rock Lever Knee Plate Arm Collar with two 200393C ...
200393C	12664	Knee Lifter Rock Lever Knee Plate Arm Collar Set Screw .....
200526C	12664	Knee Lifter Rock Lever Knee Plate Set Screw .....
227728	12665	Knee Lifter Rock Lever Rod, 3 in. long, with 227729 .....
*227729	---	Knee Lifter Rock Lever Rod Cap or Oil Guard .....
200528C	12664	Knee Lifter Rock Lever Rod Set Screw .....
200528C	12664	Knee Lifter Rock Lever Set Screw ..
221826	---	Knee Lifter Rock Lever complete, Nos. 221823 to 221825, 227728 and two 221842 .....

## FOR MACHINE No. 11w7

Same as for No. 11w6 with the following exceptions:

## BOBBIN WINDER

## Swing Automatic, Right Hand

No.	Plate	Name
202470	12320	Base .....
202471	12320	Frame .....
200221D	12319	" Hinge Screw .....
202472	12319	" Spring .....
200161D	12319	" " Screw .....
202473	12320	Pulley with 200380c .....
200380c	12319	" Set Screw .....
202474	12320	Spindle .....
227522	12319	Stop Latch .....
200056E	12319	" " Screw .....
202477	12319	" " Thumb Lever .....
200299H	12319	" " " " Hinge Screw .....
200299H	12319	Stop Latch Thumb Lever Joint Screw .....
201537H	12319	Stop Latch Thumb Lever Joint Screw Nut .....
202478	12319	Stop Latch Trip Lever .....
200299H	12319	" " " " Hinge Screw .....
227523	12320	Bobbin Winder complete, Nos. 200056E, 200161D, 200221D, 201537H, 202470 to 202474, 202477, 202478, 227522, three 200299H and two round head screws $\frac{3}{4}$ in., No. 12
202480	12320	Spool Holder Base with 200355H and 202484 .....
202481	12320	Spool Holder Base Spool Pin .....
202482	12319	" " Tension Disc (lower or upper) .....
200011E	12319	Spool Holder Tension Disc Screw .....
200355H	12319	" " " " " " Set Screw .....
202483	12319	Spool Holder Tension Disc Spring (brass) .....
202484	12319	Spool Holder Tension Disc Thread Guide .....
202485	12320	Bobbin Winder Spool Holder com- plete, Nos. 200011E, 202480, 202481, 202483, two 202482 and one wood screw 1 in., No. 13 .....
227524	—	Bobbin Winder and Spool Holder complete, Nos. 202485 and 227523

## TRUCK

## FOR MACHINE No. 11w6

No.	Plate	Name
221827	—	Machine Base (wood) with 228092, two 227493 and four 225589 .....
221828	12667	Machine Base Bracket with four wood screws $\frac{3}{4}$ in., No. 12 .....
228092	12666	Machine Button with one wood screw $1\frac{1}{2}$ in., No. 14, R.H.B. ...
221829	—	Machine Cover .....
225589	—	" Cushion (leather) .....
227493	12666	" Hinge Plate 202259 with two wood screws $\frac{3}{4}$ in., No. 12 .....
41400	12666	Machine Rest Pin (wood) .....
221830	12667	Stool Base with 200522c and four wood screws $1\frac{1}{4}$ in., No. 12, R.H.B.
227134	—	Stool Seat .....
227053	—	" " 227134 with 227132 .....
227132	12667	" " Bracket with 227556 and three wood screws 1 in., No. 12
227556	12667	Stool Seat Spindle .....
200522c	10710	" " " Set Screw .....
221831	12667	Truck Axle .....
221832	12667	" " Bearing with three wood screws $1\frac{1}{4}$ in., No. 12 .....
221833	12663	Truck Axle Cotter Pin .....
221834	—	" Body .....
221835	12667	" Caster with four wood screws $1\frac{1}{2}$ in., No. 18 .....
221836	12667	Truck Wheel .....
221837	—	Truck complete, Nos. 41400, 221827, 221829 to 221831, 221834, 227053, two each 221832, 221833, 221835, 221836 and four 221828 .....

## FOR MACHINE No. 11w7

225190	—	Belt, size $\frac{1}{4}$ in., length $39\frac{1}{2}$ in., with 25128 .....
25128	12641	Belt Hook .....
221876	—	Machine Base (wood) with 228092, two 227493 and four 225589 .....
221828	12667	Machine Base Bracket with four wood screws $\frac{3}{4}$ in., No. 12 .....

No.	Plate	Name
223092	12666	Machine Button with one wood screw 1½ in., No. 14, R.H.B. ....
221829	—	Machine Cover .....
225589	—	" Cushion (leather) .....
227493	12666	" Hinge Plate 202259 with two wood screws ¾ in., No. 12H .....
41400	12666	Machine Rest Pin (wood) .....
221877	—	Motor End Guard with four wood screws ¾ in., No. 9, R.H.B. ....
221878	12643	Starting Treadle with 221883 .....
221879	12643	" " Bracket .....
221880	12643	" " " 221879 with 221878, 221881 and two wood screws 1¼ in., No. 12 .....
221881	12641	Starting Treadle Hinge Pin .....
221882	12643	" " Pitman .....
221883	12641	" " " Hook .....
221830	12667	Stool Base with 200522c and four wood screws 1¼ in., No. 12, R.H.B. ....
227134	—	Stool Seat .....
227053	—	" " 227134 with 227132 ....
227132	12667	" " Bracket with 227556 and three wood screws 1 in., No. 12 .....
227556	12667	Stool Seat Spindle .....
200522c	10710	" " " Set Screw .....
221831	12667	Truck Axle .....
221832	12667	" " Bearing with three wood screws 1¼ in., No. 12 .....
221833	12663	Truck Axle Cotter Pin .....
221884	—	" Body .....
221835	12667	" Caster with four wood screws 1½ in., No. 18 .....
221836	12667	Truck Wheel .....
221885	—	Truck complete, Nos. 41400, 221829 to 221831, 221876, 221877, 221880, 221882, 221884, 225190, 227053, two each 221832, 221833, 221835, 221836 and four 221828 .....

**NUMERICAL LIST OF PARTS**  
**FOR**  
**MACHINES**  
**Nos. 11w6 and 11w7**

**NUMERICAL LIST OF PARTS**

No.	Plate	Name
25128	12641	Belt Hook, for 225490 .....
36569	12666	Oiler with 36571, for 36570 .....
36570	"	36569, filled with oil .....
36571	12666	" Spout, 1 $\frac{1}{2}$ in. long, with 36897, for 36569 .....
36897	"	Oiler Spout Washer (leather), for 36571 .....
4400	12666	Machine Rest Pin (wood), for 221837 and 221885 .....
2000090	12653	Arm Shaft Bushing Stop Screw, for 221803 .....
2000110	12319	Bobbin Winder Spool Holder Ten- sion Disc Screw, for 202485 ....
2000260	12656	Presser Bar Lifter Hinge Screw ..
2000270	10706	Bobbin Case Stop Bracket Screw...
2000360	12663	Hand Wheel Bracket Screw, for Machine No. 11w6 .....
2000530	12659	Face Plate Screw .....
2000540	12659	Arm Shaft Connection Screw, for 203924 .....
2000560	12319	Bobbin Winder Stop Latch Screw, for 227523 .....
2000620	12641	Balance Wheel Adjusting Screw, for Machine No. 11w7 .....
2000740	12656	Presser Foot Screw, for 203958 ...
2000790	10710	Balance Wheel Gear Screw, for 221804 .....
2000790	10710	Hand Wheel Gear Screw, for 202117
2000790	10710	Spool Holder Wire Hinge Screw, for 204297 .....
2000840	10708	Feed Regulator and Reverser Stop Screw Washer Screw .....
2001130	10708	Feed Regulator and Reverser Stop Screw .....
2001170	12656	Needle Set Screw, for 203957 .....
2001310	12659	Feed Bar Adjusting Spring Screw, for 221844 .....
2001310	12659	Feed Dog Screw, for 221844 .....
2001370	10708	" Regulating Handle Escutcheon Screw .....
2001370	10708	Thread Cutter Screw .....
2001440	12641	Bed Slide (front) Spring Screw, for 202114 .....

No.	Plate	Name
200161c	12319	Bobbin Winder Frame Spacing Screw, for 227523 .....
200175c	12663	Needle Bar Thread Guide Screw, for 203937 .....
200212c	10212	Hand Wheel Crank Handle Screw, for 202130 .....
200221c	12319	Bobbin Winder Frame Hinge Screw, for 227523 .....
200229c	12659	Bobbin Winder Frame Hinge Screw
200251c	12664	Take-up Lever Bearing Screw
200252c	10703	Feed Driving Crank Link Screw Stud, for 205977 .....
200262c	12656	Knee Lifter Connection Lever Hinge Screw, for 203974 .....
200262c	12656	Knee Lifter Lifting Lever Hinge Screw .....
200278c	10710	Arm Cap Screw .....
200299c	12319	Bobbin Winder Frame Hinge Screw, for Machine No. 11W6 .....
200299c	12319	Bobbin Winder Stop Latch Thumb Lever Hinge Screw, for 224873 .....
200299c	12319	Bobbin Winder Stop Latch Thumb Lever Joint Screw, for 225423 .....
200299c	12319	Bobbin Winder Stop Latch Trip Lever Hinge Screw, for 224573 .....
200300c	12656	Thread Controller Roller Screw, for 202965 .....
200319c	12663	Hand Wheel Latch Screw, for 202130 .....
200319c	12663	Hand Wheel Latch Spring Screw, for 202130 .....
200328c	10706	Balance Wheel Position Screw, for 203969 .....
200328c	10706	Hook Shaft Bushing Position Screw, for 224838 .....
200335c	12659	Balance Wheel Set Screw, for 203969 and 224804 .....
200335c	12659	Take-up Cam Set Screw, for 224842
200338c	12659	Balance Wheel Position Screw, for 224804 .....
200352c	12653	Arm Shaft Connection Slide Block Stud Set Screw .....
200355c	12319	Bobbin Winder Spool Holder Tension Disc Screw Set Screw, for 202480 .....
200362c	10708	Feed Regulator and Reverse Sleeve Set Screw .....
200363c	12663	Hand Wheel Bracket Eccentric Stud Set Screw, for 202133 .....

No.	Plate	Name
200365c	12653	Feed Bar Adjusting Screw, for 224844 .....
200368c	12653	Face Plate Thread Guide Set Screw, for 203937 .....
200368c	12653	Tension Stud Set Screw, for 203937 .....
200368c	12653	Thread Controller Spring Stud Set Screw, for 203937 .....
200368c	12653	Thread Retainer Stud Set Screw, for 203937 .....
200372c	10706	Feed Driving Crank Screw Stud Check Screw .....
200378c	12653	Feed Driving Rock Shaft Crank Set Screw, for 203946 .....
200378c	12653	Hook Shaft Crank Set Screw, for 205980 .....
200380c	12319	Bobbin Winder Pulley Set Screw, for 202473 .....
200387c	12663	Needle Bar Connecting Stud Set Screw, for 208736 .....
200387c	12663	Presser Bar Guide Bracket Set Screw, for 202046 .....
200390c	10706	Bobbin Case Stop Adjusting Screw, for 203966 .....
200390c	10706	Feed Lifting Cam Set Screw, for 203948 .....
200393c	12664	Knee Lifter Rock Lever Knee Plate Arm Collar Set Screw, for 224842
200414c	10706	Feed Driving Rock Shaft Screw Center .....
200415c	10706	Feed Bar Screw Center, for 203946
200415c	10706	Feed Driving Rock Shaft Crank Connection Screw Center, for 203945 .....
200427c	12653	Arm Shaft Connection Slide Block Stud Position Screw .....
200431c	12663	Take-up Cam Position Screw, for 224842 .....
200499c	12656	Presser Bar Thumb Screw (pressure regulating) .....
200522c	10710	Stool Seat Spindle Set Screw, for 224830 .....
200526c	12664	Knee Lifter Rock Lever Knee Plate Set Screw, for 224824 .....
200528c	12664	Knee Lifter Rock Lever Rod Set Screw, for 224823 .....
200528c	12664	Knee Lifter Rock Lever Set Screw, for 224823 .....
200575c	10710	Bed Hinge Connection Screw .....
200575c	10710	Spool Holder Base Screw .....

No.	Plate	Name
200577H	12653	Adjustable Belt Guide Attachment Screw
200577H	12653	Thread Controller Plate Screw, for 221839
200577H	12653	Throat Plate Screw
200581H	12656	Thread Controller Spring Guard Screw, for 203965
200594c	12653	Bobbin Case Tension Spring Screw, for 221813
200597F	12659	Bobbin Case Tension Regulating Screw, for 221813
200609F	12641	Balance Wheel Thumb Nut Stop Screw, for 201569
200610F	12653	Hook Gib Hinge Screw, for 208742
200611F	12653	" " Screw, for 208742
200630B	12664	Tension Stud, for 221840
200648E	10706	Feed Driving Crank Screw Stud
200667c	12663	Needle Bar Connecting Link Screw Stud, for 221843
200684c	12659	Belt Guide (back) (adjustable) Screw Stud, for 221806
200798E	12659	Belt Guide (back) Adjusting Slide Screw Stud, for 221805
200798E	12659	Belt Guide (front) (adjustable) Screw Stud
200798E	12659	Belt Guide Adjusting Lever Screw Stud, for 221809
200819c	12663	Feed Regulator and Reverser Slide Block Screw Stud, for 203947
200822c	12659	Feed Driving Crank Slide Block Screw Stud, for 203925
200822c	12659	Hook Shaft Crank Slide Block Screw Stud
200861B	12659	Belt Guide Adjusting Lever Thumb Screw, for 221808
200911D	12659	Adjustable Belt Guide Attachment Screw
200963E	12659	Arm Screw
201512E	10706	Feed Driving Rock Shaft Screw Center Nut
201525E	10706	Feed Bar Screw Center Nut, for 203946
201525E	10706	Feed Driving Crank Slide Block Screw Stud Nut, for 203925
201525E	10706	Feed Driving Rock Shaft Crank Connection Screw Center Nut, for 203945
201525E	10706	Hook Shaft Crank Slide Block Screw Stud Nut

No.	Plate	Name
201528c	12663	Hand Wheel Crank Handle Screw Nut, for 202130
201531E	10708	Feed Driving Crank Link Screw Stud Nut, for 205977
201535H	12641	Belt Guide Adjusting Lever Position Screw Nut, for 221811
201537H	12319	Bobbin Winder Stop Latch Thumb Lever Joint Screw Nut, for 227523
201556D	12659	Belt Guide (back) Adjusting Slide Screw Stud Thumb Nut, for 221811
201556D	12659	Belt Guide (front) (adjustable) Screw Stud Thumb Nut
201556D	12659	Belt Guide Adjusting Lever Screw Stud Thumb Nut
201569B	12641	Balance Wheel Thumb Nut with 200609F, for 203968
201572B	12656	Tension Thumb Nut, for 221840
201816	12656	Take up Lever Roller, for 203961
202002	12653	Arm Shaft Bushing, for 221803
202004	12653	" Position Pin
202005	12653	" Screw Washer
*202009		" Shaft Connection Cap, for 203924
202015	12641	Balance Wheel Pulley Spring Washer, for 203968
202016	12641	Balance Wheel Thumb Nut Stop Washer, for 203968
202023	12653	Face Plate Thread Guide, for 203937
202046	12663	Presser Bar Guide Bracket with 200387c
202047	12663	Presser Bar Lifter
202048	12656	" " Sleeve
*202051		Hook (sewing), for 208742
202053	12653	Bobbin
		Nos. 202055 to 202058, for 221813
202055	12653	Bobbin Case Latch
*202056		" " " Pin
202057	12653	" " " Spring
202058	12653	" " " " Plunger
202063	12653	Hook Gib, for 208742
202064	12653	Feed Regulating Handle Position Pin, for 221841
202064	12653	Hook Pin, for 208742
202068	10710	Spool Holder Base, for 204297
202074	12664	Tension Pulley, for 221840
202076	12656	" Slide 208696 with 202077
202077	12656	" " Spring, for 202076



No.	Plate	Name
202078	12664	Tension Spring, for 221840 .....
202079	-	" Washer (felt), for 221840 ..
202084	12656	Thread Controller Roller Guard Washer, for 203965 .....
202087	12664	Thread Controller Spring Stop, for 203937 .....
202091	12656	Thread Retainer Sleeve, for 204059
202092	12656	" " Spring (spiral), for 204059 .....
202095	12656	Thread Cutter .....
202098	12656	" Controller Roller, for 203965
*202160		Bobbin Case Latch Post, for 221813
202161	12653	" " " " Washer, for 221813 .....
202141	10212	Balance Wheel Gear, for 221804 ..
202143		Bed Slide (front), for 202144 .....
202144	12660	" " 202143 with 202145 and two 200144e .....
202145	12653	Bed Slide (front) Spring, for 202144
*202146		Hand Wheel, for 208712 .....
		Nos. 202147 to 202120, for 202130
202147	10212	Hand Wheel 208712 with 202125, three each 200079n and 202136 ..
202148	10212	Hand Wheel Crank .....
202149	10212	" " " Handle (wood),
202120	12663	" " " Hinge Pin .....
202121	12663	" " " Lock Pin, for 208712 .....
202123	10212	Hand Wheel Bracket with 200363 and 202140, for 205949 .....
202124	12663	Hand Wheel Bracket Eccentric Stud, for 205949 .....
*202125	-	Hand Wheel Gear, for 202147 .....
202126	12653	Feed Lifting Cam Position Pin, for 203948 .....
202126	12653	Hand Wheel Gear Position Pin, for 202147 .....
202127	10212	Hand Wheel Latch with 202128, for 202130 .....
202128	12663	Hand Wheel Latch Pin, for 202127
202130	-----	Hand Wheel complete, Nos. 200212i, 201528e, 202147 to 202120, 202127, 204986 and two 200319e, for 205949
202134	12659	Bobbin Winder Frame Spring, for Machine No. 11w6 .....
202140	12659	Bobbin Winder Frame Stop Pin, for 202123 .....

No.	Plate	Name
202141	12659	Bobbin Winder Pulley, for 221815 ..
202149	12656	Tension Release Plunger, for 221840
202168	12653	Bed Hinge Connection .....
202189	12659	Bobbin Winder Spindle, for 221815
202248	10710	Arm Cap Screw Washer .....
202302	10710	Knee Lifter Connection Lever Lifting Rod Cotter Pin, for 203972 ..
		Nos. 202470 to 202474, for 227523
202470	12320	Bobbin Winder Base .....
202471	12320	" " Frame .....
202472	12319	" " " Spring .....
202473	12320	" " Pulley with 200380e
202474	12320	" " Spindle .....
202477	12319	" " Stop Latch Thumb Lever, for 227523 .....
202478	12319	Bobbin Winder Stop Latch Trip Lever, for 227523 .....
		Nos. 202480 to 202483, for 202485
202480	12320	Bobbin Winder Spool Holder Base with 200355n and 202484 .....
202481	12320	Bobbin Winder Spool Holder Base Spool Pin .....
202482	12319	Bobbin Winder Spool Holder Tension Disc (lower or upper) .....
202483	12319	Bobbin Winder Spool Holder Tension Disc Spring (brass) .....
202484	12319	Bobbin Winder Spool Holder Tension Disc Thread Guide, for 202480
202485	12320	Bobbin Winder Spool Holder complete, Nos. 200011i, 202480, 202481, 202483, two 202482 and one wood screw 1 in., No. 13, for 227524 .....
202668	12659	Feed Driving Crank Slide Block, for 203925 .....
202668	12659	Feed Regulator and Reverser Slide Block .....
202668	12659	Hook Shaft Crank Slide Block .....
203922	12660	Arm Side Plate, for 221803 .....
203923	12660	" Shaft .....
203924	-	" " Connection with 202009 and two 200054e, for 203925 .....
203925	12660	Arm Shaft Connection 203924 with 203926, two each 200822c, 201525e and 202668 .....

## Numerical List of Parts

No.	Plate	Name
203926	12653	Arm Shaft Connection Slide Block, for 203925 .....
203927	10708	Arm Shaft Connection Slide Block Stud .....
203932	12653	Bobbin Case Tension Spring, for 221813 .....
		Nos. 203934 to 203936, for 203966
203934	10706	Bobbin Case Stop .....
203935	10706	" " " Spring .....
203936	10706	" " " Bracket .....
203957	12643	Face Plate with 202023, 202087, 204281 and four 200368a, for 221839 .....
203939	12642	Feed Bar with 201340, for 221844 ..
203940	10706	" " Adjusting Spring (flat), for 221844 .....
203941	10706	Feed Bar Spring (spiral) .....
203943	10708	" Driving Crank, for 205977 .....
203944	10708	" " " Link, for 205977 .....
203945	12642	" " Rock Shaft with two each 200415c and 201525c .....
203946	12642	Feed Driving Rock Shaft Crank with two each 200378c, 200415c and 201525c .....
203947	12642	Feed Driving Rock Shaft Crank Connection with 200819c .....
203948	10706	Feed Lifting Cam with 200390c and 202126, for 203955 .....
203950	10708	Feed Regulating Handle Escutcheon
*203951		" Regulator and Reverser, for 221841 .....
203954	10708	Feed Regulator and Reverser Stop Screw Washer .....
203955		Hook 208742 with 203948 and 203956, for 221819 .....
203956	12656	Hook Washer, for 203955 .....
203957	12642	Needle Bar with 200117c, 200175b and 203967 .....
203958	12642	Presser Bar (hollow) with 200074b
203959	12663	Needle Bar Connecting Link .....
203961	12664	Take-up Lever with 201816 .....
203964	12664	Thread Controller Spring, for 203965
203965	12664	Thread Controller complete, Nos. 200300c, 200581b, 202084, 202098, 203964, 204274, 204275 and 204333, for 221839 .....
203966	10706	Bobbin Case Stop Bracket complete, Nos. 200390c, 203934 to 203936 and 205979 .....

## Numerical List of Parts

No.	Plate	Name
203967	12663	Needle Bar Thread Guide, for 203957 .....
203963		Balance Wheel complete, Nos. 201569b, 202015, 202016, 203969 and 208783, for Machine No. 11W7
203969	12643	Balance Wheel, 5½ in. diam. (belt groove 2½ in. diam.), with 200328c and 200335c, for 203968 .....
		Nos. 203971 to 203973, for 203974
203971	12665	Knee Lifter Connection Lever with 203976 .....
203972	12665	Knee Lifter Connection Lever Lifting Rod with 202302 .....
203973	12665	Knee Lifter Lifting Lever .....
203974		" " Connection Lever 203971 with 203972, 203973 and two 200262a .....
203976	10740	Knee Lifter Connection Lever Pin, for 203971 .....
204058	12656	Thread Retainer Stud, for 204059 ..
204059		Thread Retainer complete, Nos. 202091, 202092 and 204058, for 221839 .....
204163	10719	Arm Cap .....
204189	12659	Feed Bar Spring Hook (on Bed) ..
204213	12644	" Regulator and Reverser Sleeve (split) .....
204234	10708	Feed Regulator and Reverser Stop Pin, for 221803 .....
204271	12656	Tension Washer (steel), for 221840
204274	12656	Thread Controller Plate, for 203965
204275	12656	" " Roller Guard, for 203965 .....
204281	12656	Thread Retainer Guide Wire, for 203937 .....
204296	10710	Spool Holder Wire, for 204297 .....
204297		Spool Holder complete, Nos. 200079a, 202068 and 204296 .....
204333	12656	Thread Controller Spring Guard, for 203965 .....
204340	12659	Feed Bar Spring Hook, for 203939 ..
204389	12663	Hand Wheel Crank Lock Pin Spring, for 208712 .....
204795	12664	Thread Controller Spring Stud with 204925, for 221839 .....
204925	12659	Bobbin Winder Spindle Washer, for 221815 .....

No.	Plate	Name
204925	12659	Thread Controller Spring Stud Washer, for 204795 .....
204986	12663	Hand Wheel Latch Spring, for 202130 .....
205656	-	Tension Washer (left), for 221810
205949	-	Hand Wheel Bracket complete, Nos. 202123, 202124 and 202130, for Machine No. 11w6 .....
205965	12653	Hook Shaft Bushing, for 221838 ..
205977	-	Feed Driving Crank 203943 with 200252c, 201531e and 203944 .....
205979	12653	Bobbin Case Stop Hinge Pin, for 203966 .....
205980	-	Hook Shaft Crank 208825 with two 200378c .....
208696	-	Tension Slide, for 202076 .....
*208712	-	Hand Wheel 202116 with 202121 and 204389, for 202117 .....
*208735	-	Needle Bar Connecting Stud, for 208736 .....
208736	12656	Needle Bar Connecting Stud 208735 with two 200387c .....
*208741	-	Hook Shaft, 9½ in. long, for 208742
208742	12642	" 202051 with 200610e, 200611c, 202063, 202064 and 208741, for 203955 .....
208783	12643	Balance Wheel Pulley, 2½ in. diam., for 203968 .....
208825	12653	Hook Shaft Crank, for 205980 .....
*221803	-	Arm with 200009a, 202002, 203922 and 204234 .....
221804	12660	Balance Wheel with 200335c, 200338c, 202111 and two 209079a, for Machine No. 11w6 .....
		Nos. 221805 to 221810, for 221811
221805	12661	Belt Guide (back) (adjustable) with 350093c and two 200798e .....
221806	12661	Belt Guide (back) Adjusting Slide with 200681c .....
221807	12661	Belt Guide (front) (adjustable) ..
221808	12661	" " Adjusting Lever with 200861a .....
221809	12661	Belt Guide Adjusting Lever Bolster with 200798e .....
221810	12661	Belt Guide Base Plate .....
221811	-	Adjustable Belt Guide Attachment complete, Nos. 201535a, 221805 to 221810, 350094b, 350095c, two 350092b and three 201556d .....

No.	Plate	Name
221812	-	Bobbin Case, for 221813 .....
221813	12659	Bobbin Case complete, Nos. 200594c, 200597e, 202055 to 202058, 202100, 202101, 203932 and 221812, for 221819 .....
221814	12659	Bobbin Winder Frame, for 221815
221815	-	Bobbin Winder complete, Nos. 202141, 202189, 204925 and 221814, for Machine No. 11w6 .....
221816	12664	Feed Dog, for 221814 .....
*221817	-	" Regulating Handle, for 221814
221818	12663	" Regulator and Reverser Stop
221819	-	Hook and Bobbin Case complete, Nos. 203955 and 221813 .....
221820	12663	Presser Bar Spring .....
221821	12664	" Foot .....
221822	12664	Throat Plate, 38 needle hole, for needle sizes 23 and 24 .....
		Nos. 221823 to 221825, for 221826
221823	12665	Knee Lifter Rock Lever with three 200528c .....
221824	12665	Knee Lifter Rock Lever Knee Plate with 200526c .....
221825	12665	Knee Lifter Rock Lever Knee Plate Arm .....
221826	-	Knee Lifter Rock Lever complete, Nos. 221823 to 221825, 227728 and two 221842 .....
221827	-	Machine Base (wood) with 228092, two 227493 and four 225589, for 221837 .....
		Nos. 221828 to 221833, for 221837 and 221885
221828	12667	Machine Base Bracket with four wood screws ¾ in., No. 12 .....
221829	-	Machine Cover .....
221830	12667	Stool Base with 200522c and four wood screws 1½ in., No. 12, R.H.B.
221831	12667	Truck Axle .....
221832	12667	" " Bearing with three wood screws 1½ in., No. 12 .....
221833	12663	Truck Axle Cotter Pin .....
		Nos. 221834 to 221836, for 221837
221834	-	Truck Body .....
221835	12667	" Caster with four wood screws 1½ in., No. 18; also for 221885 ..
221836	12667	Truck Wheel; also for 221885 .....

No.	Plate	Name
221837	----	Truck complete, Nos. 41400, 221827, 221829 to 221831, 221834, 227053, two each 221832, 221833, 221835, 221836 and four 221828, for Machine No. 11w6 .....
*221838	----	Bed with 200328c and 205965 .....
221839	----	Face Plate complete, Nos. 2005740, 203937, 203965, 204059, 204795 and 221840 .....
221840	----	Tension complete, Nos. 2006300, 2015720, 202074, 202078, 202079, 202149, 204271 and 205656, for 221839 .....
221841	----	Feed Regulator and Reverser 203954 with 202064 and 221817 .....
221842	12664	Knee Lifter Rock Lever Knee Plate Arm Collar with two 200393, for 221826 .....
221843	12642	Take-up Cam with 200335c, 200431c and 200667c .....
221844	----	Feed Bar complete, Nos. 200365c, 203939, 203940, 221816 and four 200431c .....
221876	----	Machine Base (wood) with 228992, two 227493 and four 225589, for 221885 .....
221877	----	Motor End Guard with four wood screws $\frac{3}{4}$ in., No. 9, R.H.B., for 221885 .....
221878	12643	Starting Treadle with 221882, for 221880 .....
221879	12643	Starting Treadle Bracket, for 221880 .....
221880	12643	Starting Treadle Bracket 221879 with 221878, 221881 and two wood screws $1\frac{1}{2}$ in., No. 12, for 221885 .....
221881	12641	Starting Treadle Hinge Pin, for 221880 .....
221882	12643	Starting Treadle Pitman, for 221885 .....
221883	12641	" " Hook, for 221878 .....
221884	----	Truck Body, for 221885 .....
221885	----	Truck complete, Nos. 41400, 221829 to 221831, 221876, 221877, 221880, 221882, 221884, 225190, 227053, two each 221832, 221833, 221835, 221836 and four 221828, for Machine No. 11w7 .....
225045	----	Drip Pan with four wood screws $\frac{1}{2}$ in., No. 5 .....

No.	Plate	Name
225190	----	Belt, size $\frac{1}{4}$ in., length 39 $\frac{1}{2}$ in., with 25128, for 221885 .....
*225482	----	Bobbin Case Screw Driver Blade, for 225497 .....
*225483	----	Bobbin Case Screw Driver Handle, for 225497 .....
*225484	----	Screw Driver Blade, for 225498 ...
*225485	----	" " Handle, for 225498 ...
225497	12666	Bobbin Case Screw Driver complete, Nos. 225482 and 225483 .....
225498	12666	Screw Driver complete (7 $\frac{1}{4}$ in. long), Nos. 225484 and 225485 ..
225553	12666	Wrench (steel) .....
225589	----	Machine Cushion (leather), for 221827 and 221876 .....
227053	----	Stool Seat 227134 with 227132, for 221837 and 221885 .....
227132	12667	Stool Seat Bracket with 227556 and three wood screws $\frac{1}{2}$ in., No. 12, for 227053 .....
227134	----	Stool Seat, for 227053 .....
227493	12666	Machine Hinge Plate 202259 with two wood screws $\frac{3}{4}$ in., No. 120, for 221827 and 221876 .....
227522	13319	Bobbin Winder Stop Latch, for 227523 .....
227523	12320	Bobbin Winder complete, Nos. 2000560, 2004610, 2002210, 2015370, 202470 to 202474, 202477, 202478, 227522, three 2002990 and two round head wood screws $\frac{3}{4}$ in., No. 12, for 227524 .....
227524	----	Bobbin Winder and Spool Holder complete, Nos. 202485 and 227523, for Machine No. 11w7 .....
227556	12667	Stool Seat Spindle, for 227132 ...
227728	12665	Knee Lifter Rock Lever Rod, 3 in. long, with 227729, for 221826 .....
*227729	----	Knee Lifter Rock Lever Rod Cap or Oil Guard, for 227728 .....
228092	12666	Machine Button with one wood screw $1\frac{1}{2}$ in., No. 14, R.H.B., for 221827 and 221876 .....
350091e	12659	Balance Wheel Adjusting Screw, for Machine No. 11w6 .....
3500920	12659	Belt Guide (back) (adjustable) Screw, for 221811 .....
3500930	12659	Belt Guide (back) Adjusting Slide Position Screw, for 221805 .....

No.	Plate	Name
350094b	12659	Belt Guide Adjusting Lever Hinge Screw, for 221811 .....
350095	12659	Belt Guide Adjusting Lever Posi- tion Screw, for 221811 .....

**ILLUSTRATIONS OF PARTS  
FOR  
MACHINES  
Nos. 11w6 and 11w7**

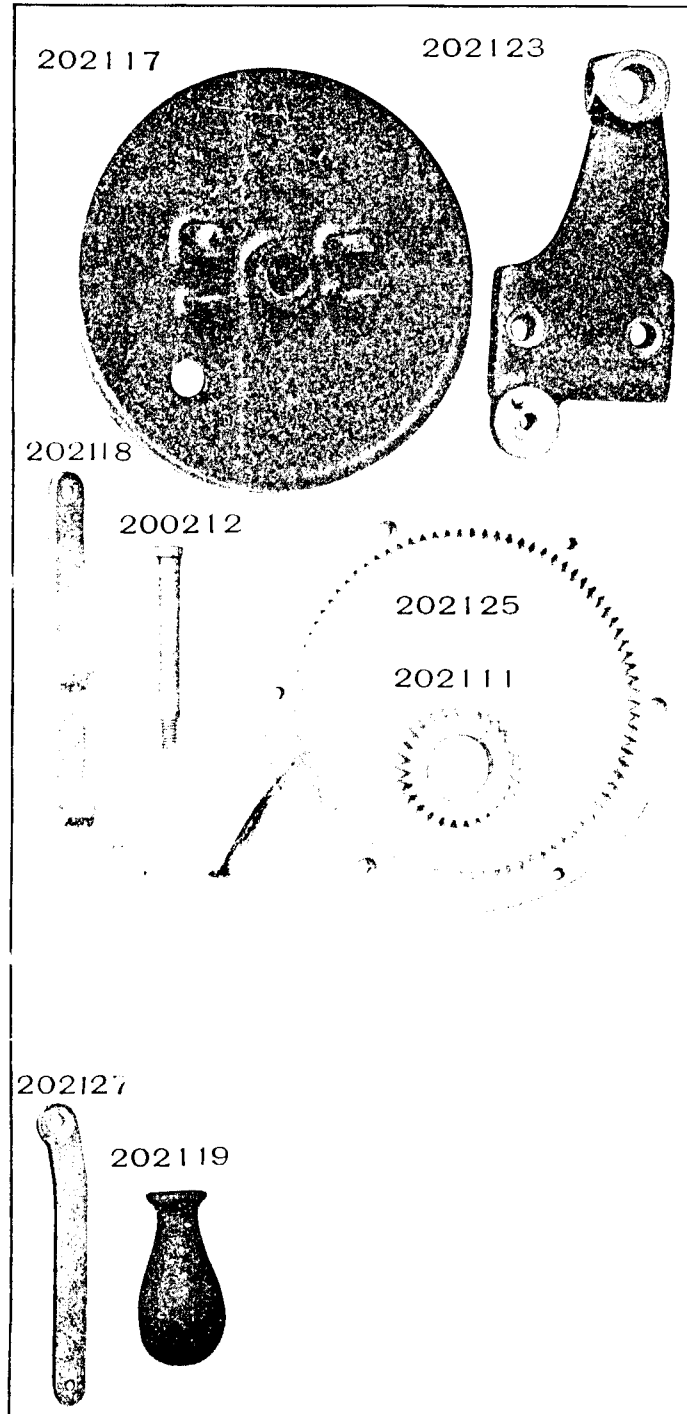


PLATE 10706—FULL SIZE

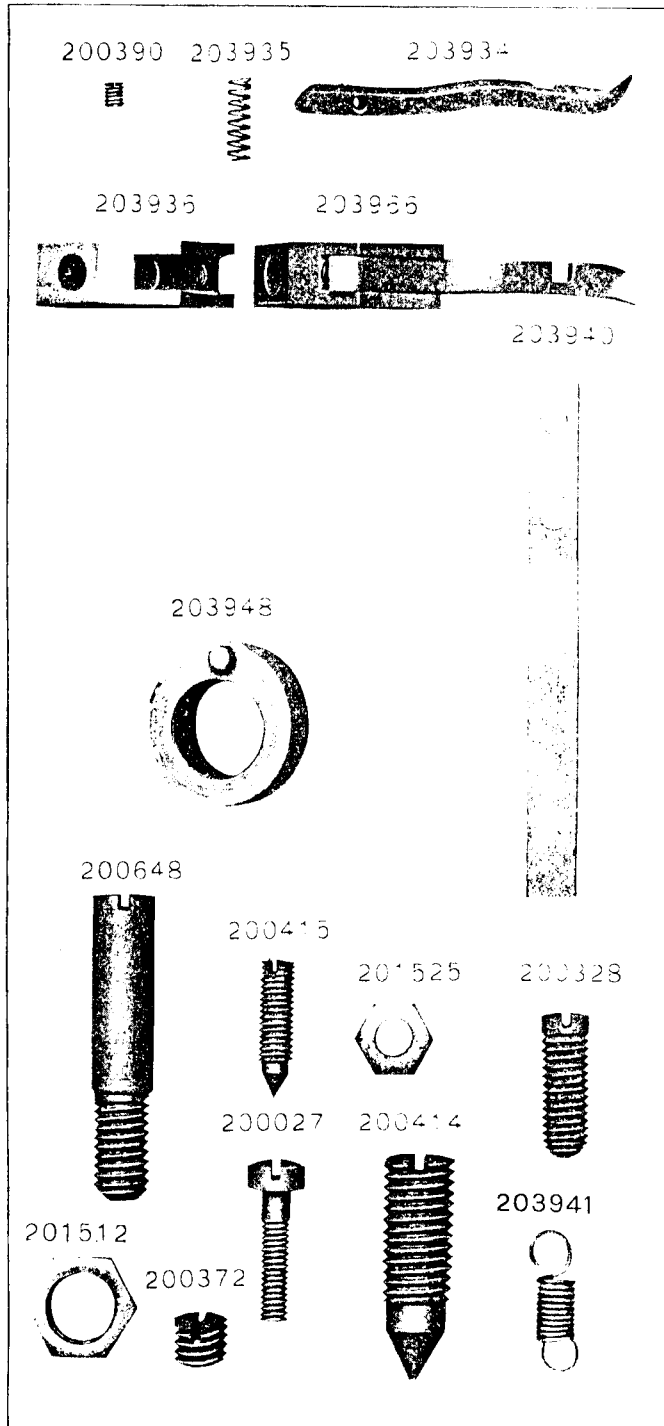


PLATE 10708—FULL SIZE

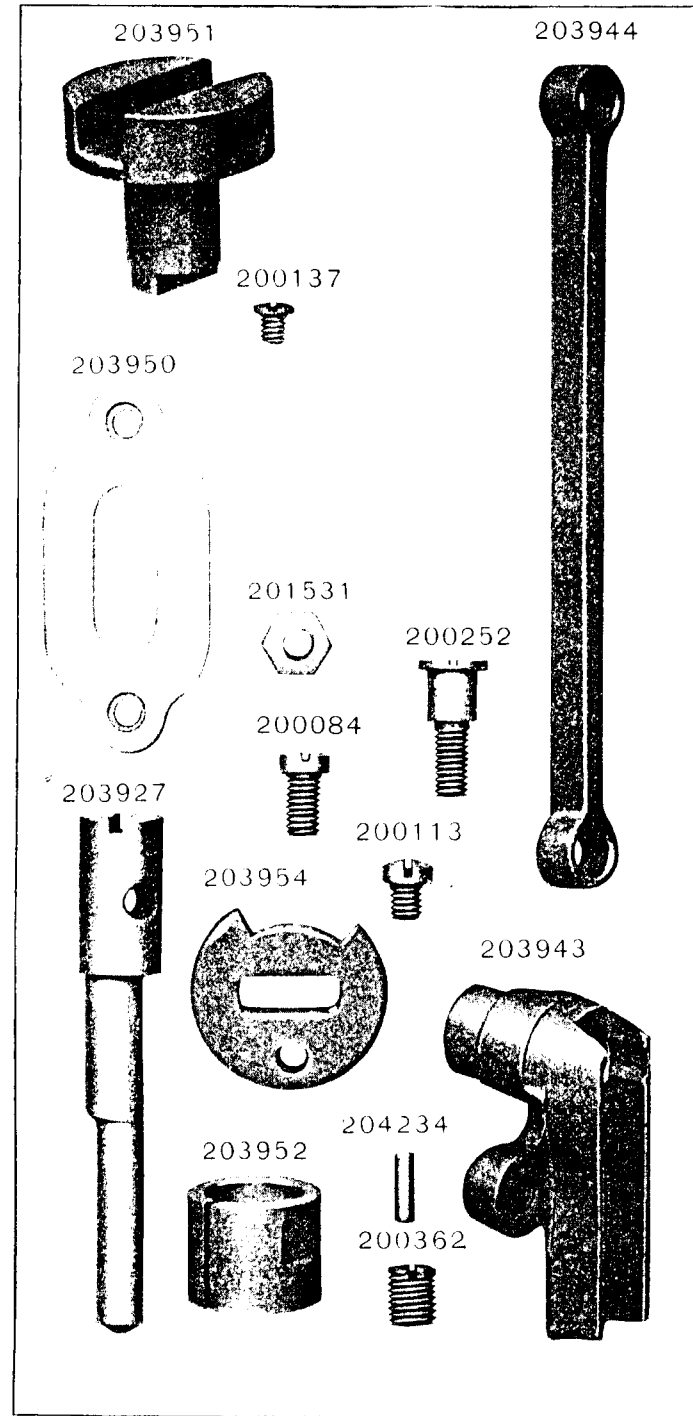


PLATE 10710—FULL SIZE

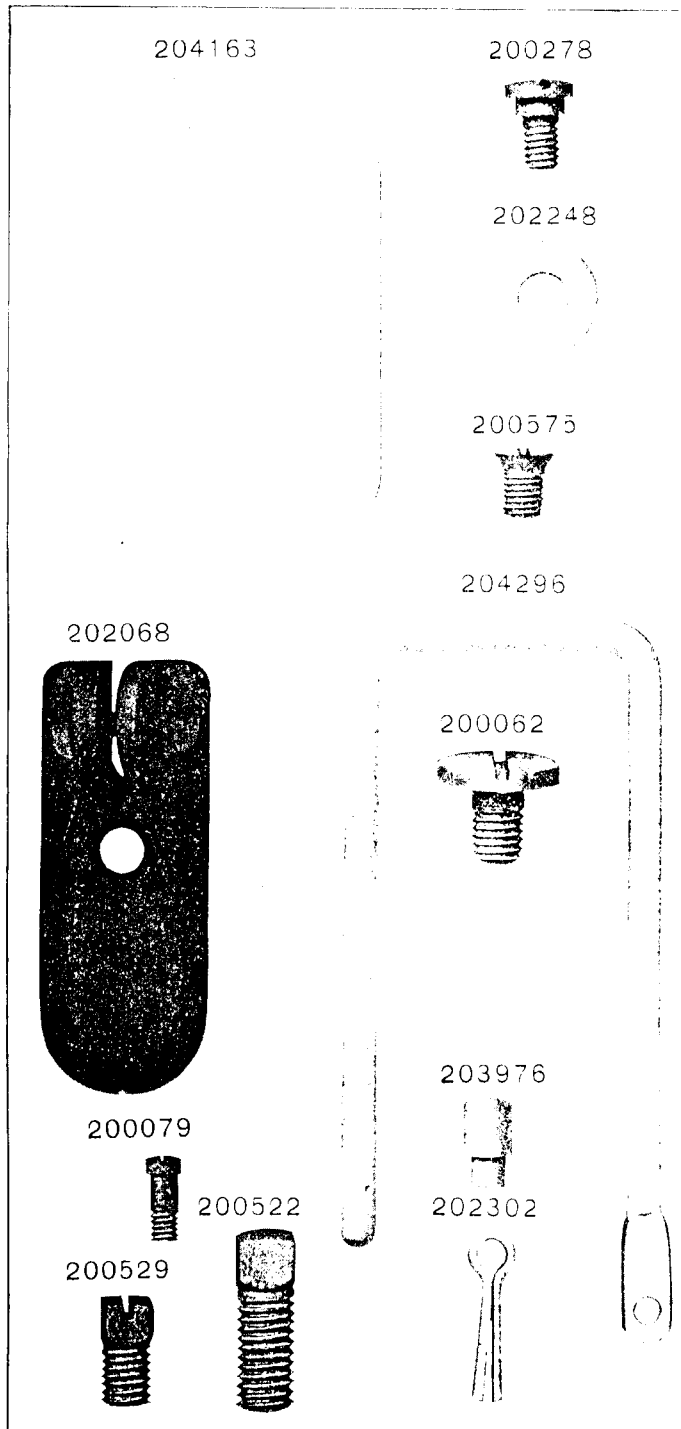


PLATE 12319—FULL SIZE

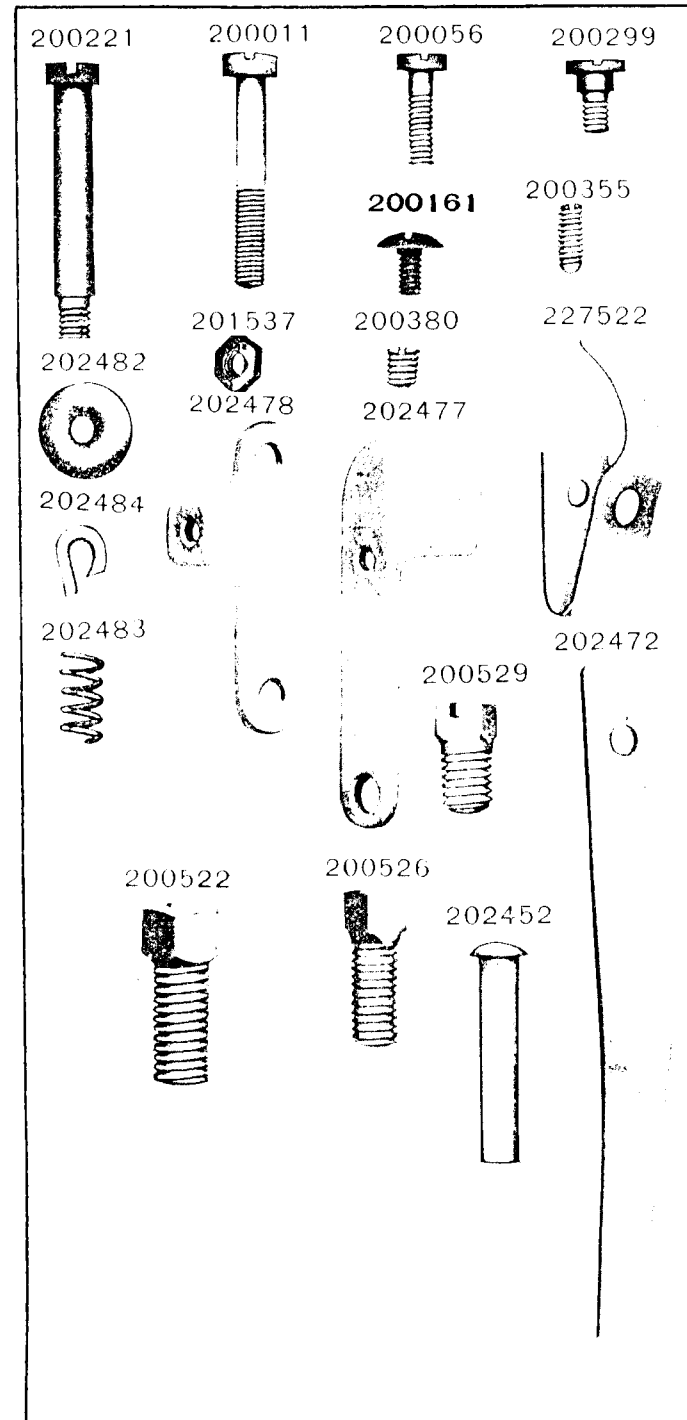




PLATE 12320—ONE-HALF SIZE

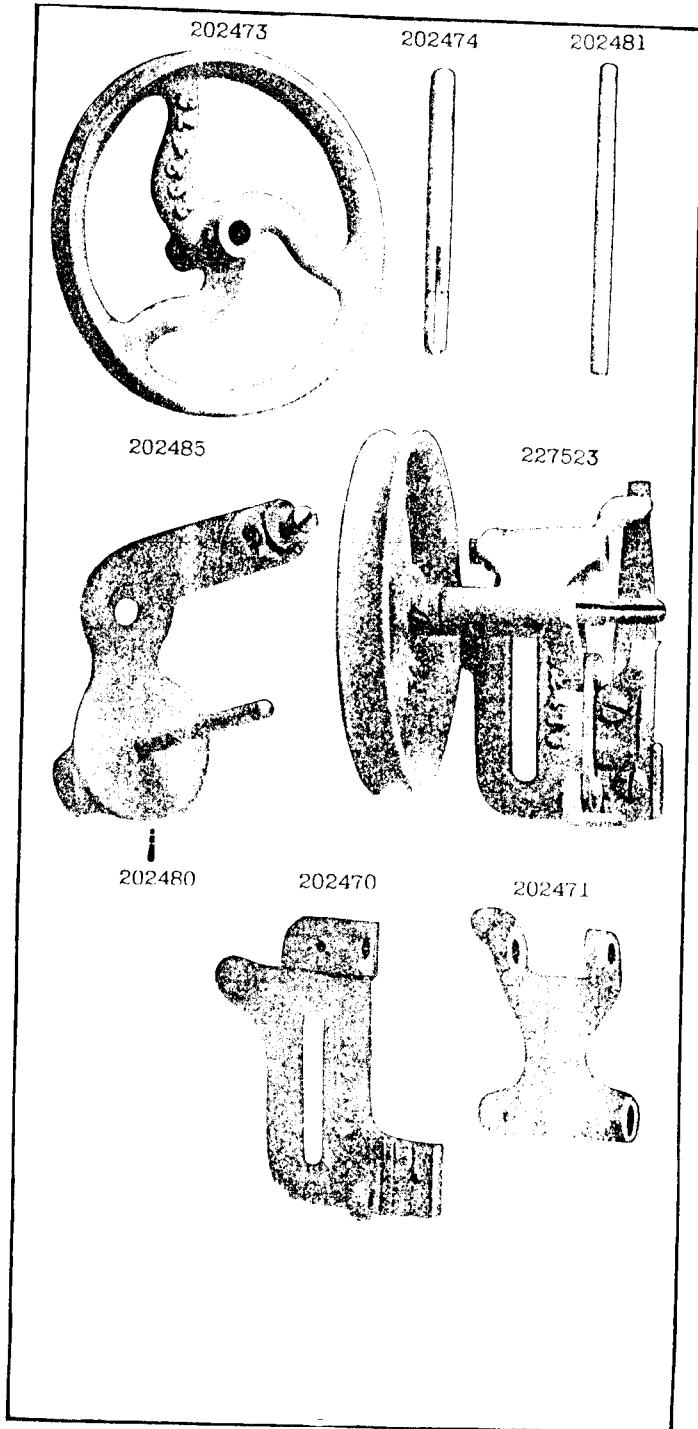


PLATE 12641—FULL SIZE

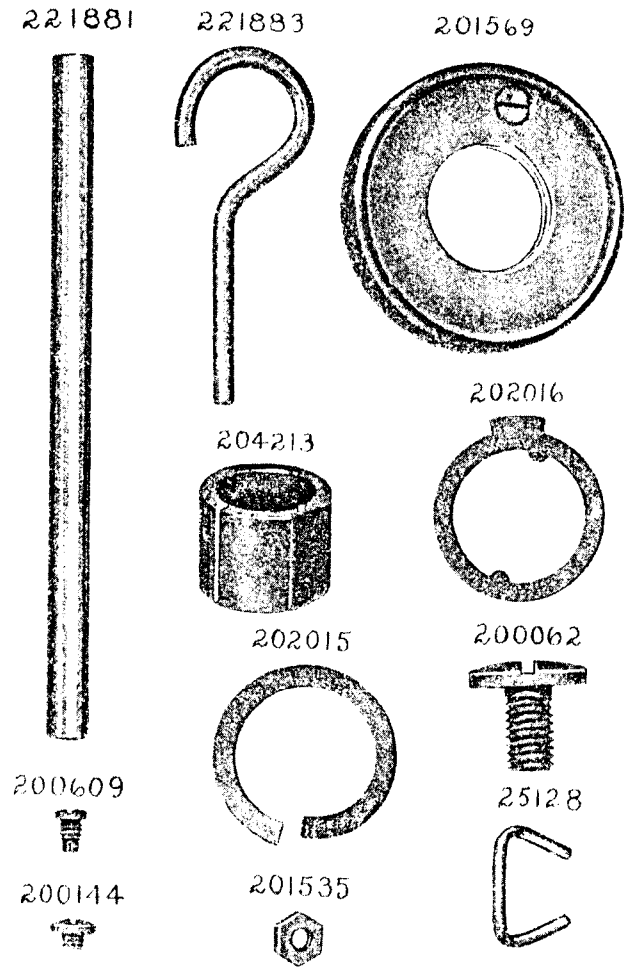


PLATE 12642—ONE-HALF SIZE

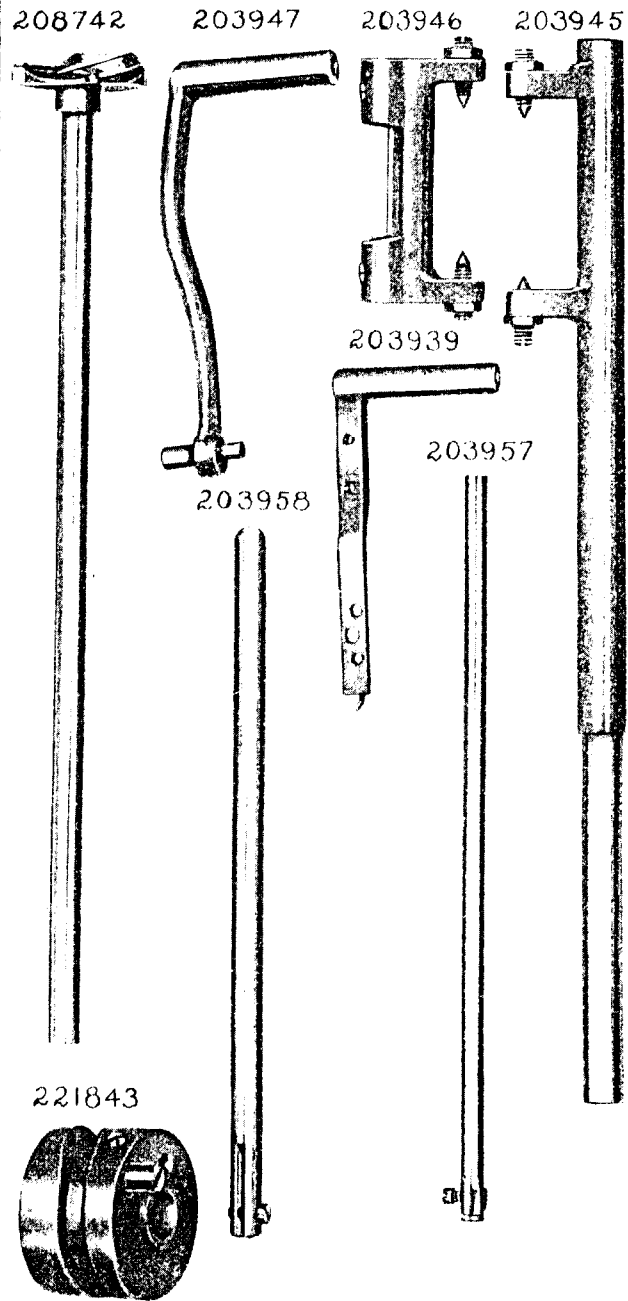


PLATE 12643—ONE-FOURTH SIZE

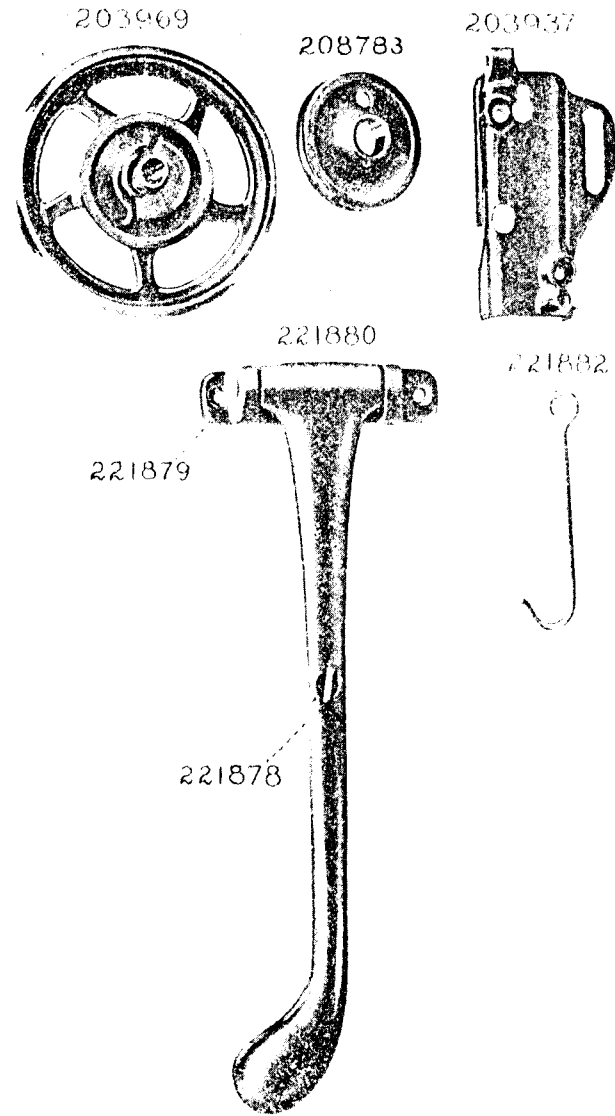


PLATE 12653-FULL SIZE

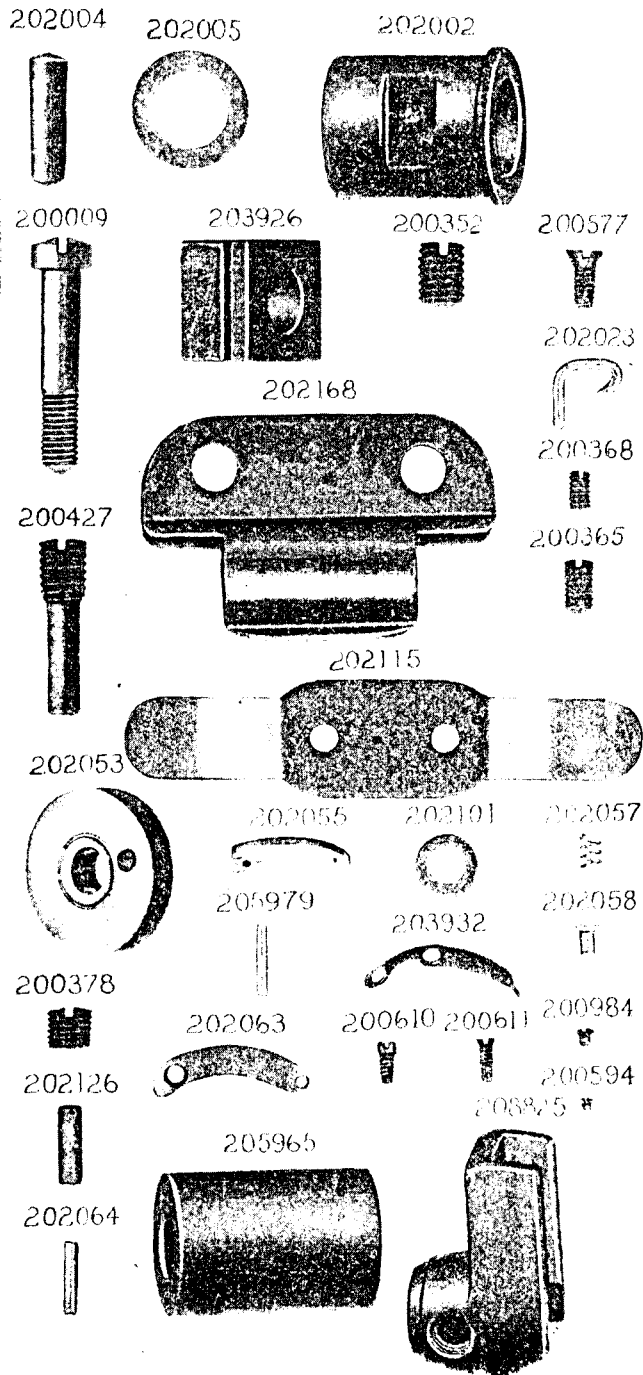


PLATE 12656-FULL SIZE

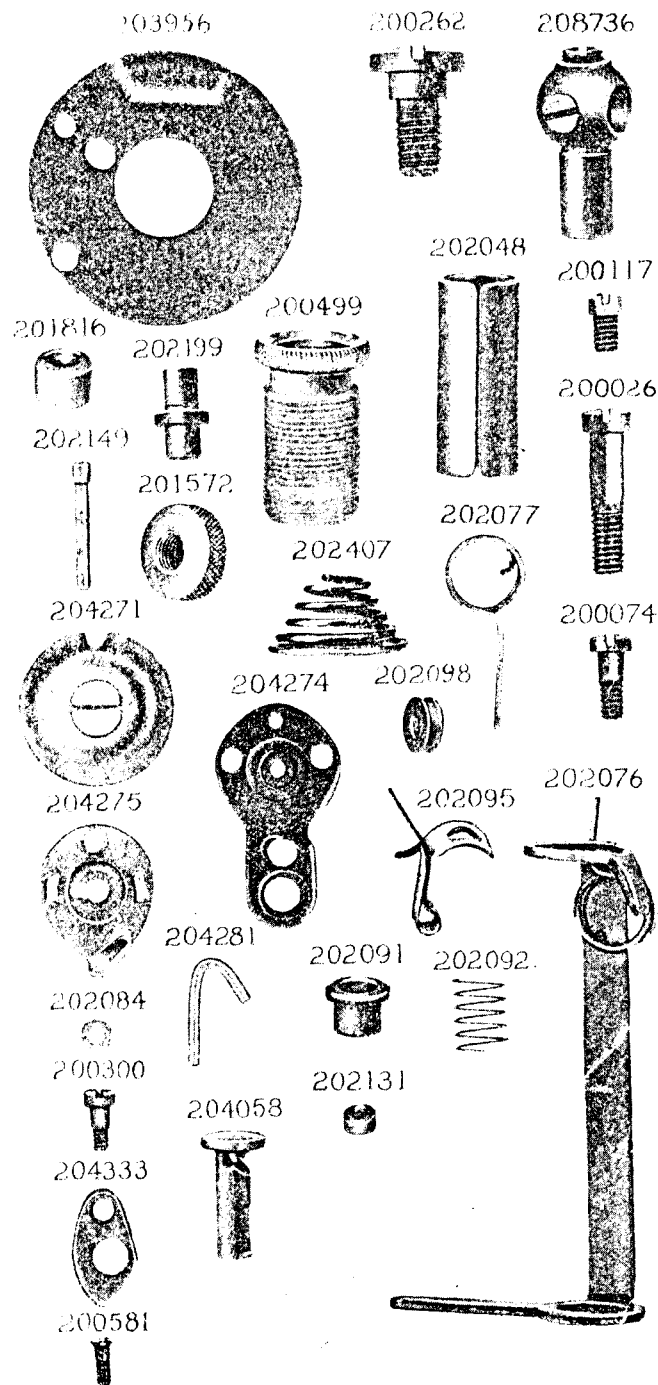


PLATE 12659—FULL SIZE

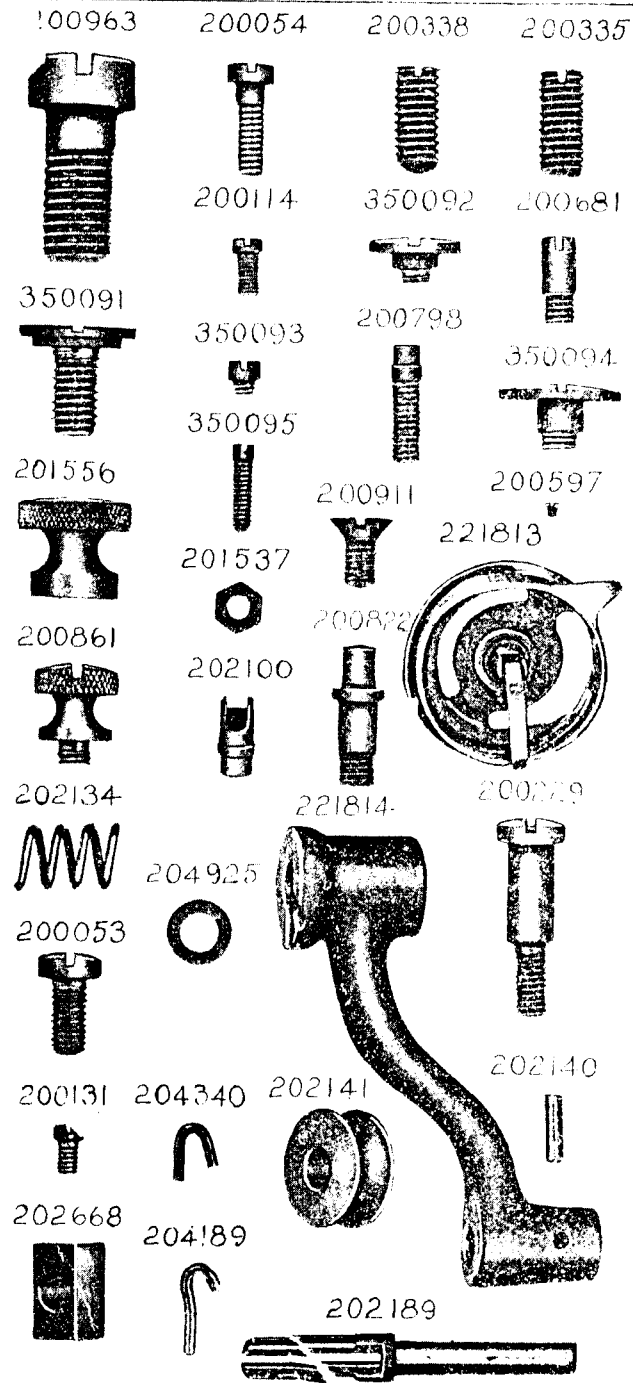


PLATE 12660—ONE-HALF SIZE

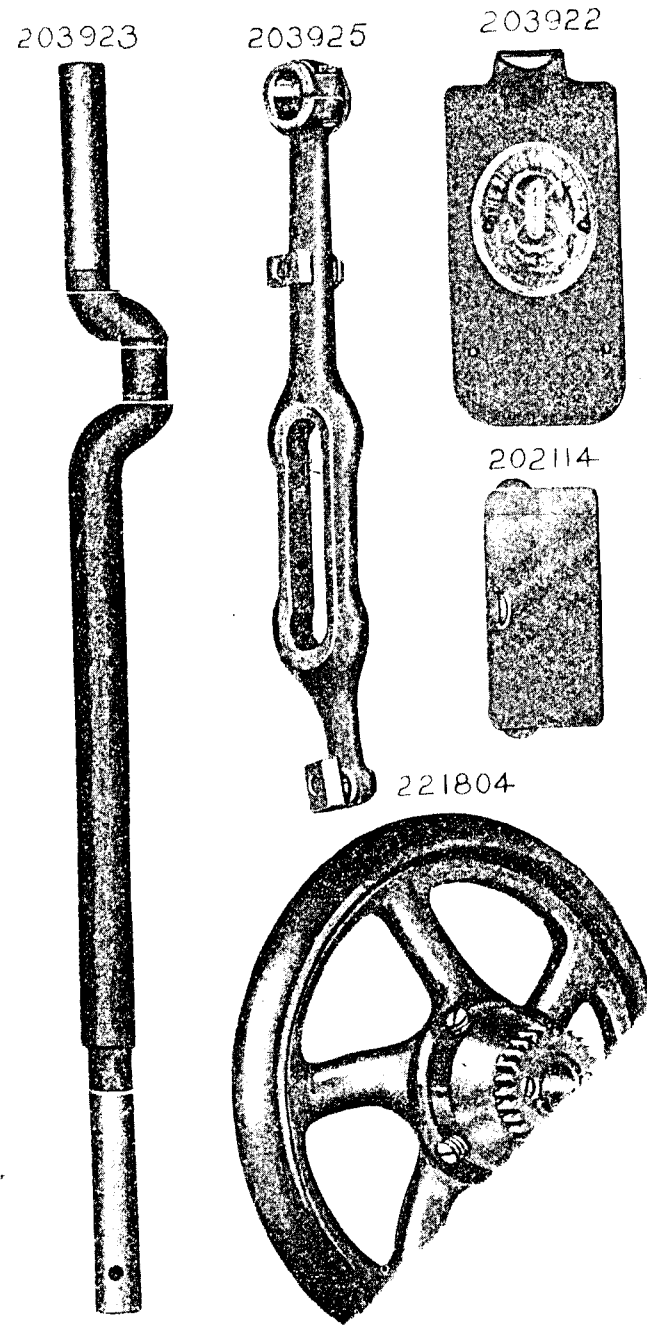
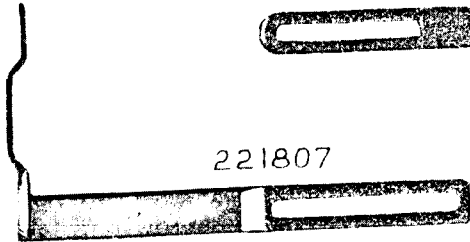
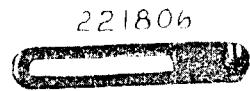
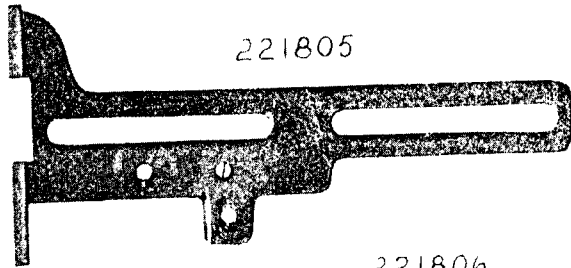


PLATE 12661—ONE-HALF SIZE



221808

221809

