

SINGER
46K1,K2

ILLUSTRATED
PRICE LIST OF PARTS
FOR
Class 46 K Machines

(Nos. 46 K 1 and 46 K 2).

In ordering from this List, use **ONLY** the **PART** number as it appears in the first column.

Each Number always indicates the **SAME PART** in whatever List it appears, or for whatever Machine.

The letters after some of the Numbers indicate the style of finish only, as follows:

- A. Hardened, Polished and Plated.
- B. Polished and Plated.
- C. Hardened only.
- D. Polished only.
- E. Soft, not Polished.

These letters **MUST BE USED** *when* they appear in the List, and **AFTER** the Number, *as* in the List.

In this series

1 to 1500 are Screw Numbers.

1501 to 1800 are Nut "

1801 to 2000 are Roller "

02001 and upwards are Numbers of Machine Parts.

The prefix **SS** indicates Screws made only at Kilbowie.

" " **NW** " Nuts made only at Kilbowie.

" " **RR** " Rollers and Studs made only at Kilbowie.

An "0" prefixed to a Part indicates that it is common to Export and Kilbowie Factories, but of Kilbowie manufacture.

Parts numbered from **80001 upwards** are made only at Kilbowie.

The figures in the second column refer only to the plates illustrating the parts, and are **NOT TO BE USED** in ordering.

NEEDLES BEST ADAPTED

FOR

Nos. 46 K 1 and 46 K 2 Machines.

MACHINES.	NEEDLES.	REMARKS.
46 K 1, 46 K 2	46 S 1 or 46 S 2	

PARTS COMPLETE

FOR

Nos. 46 K 1 and 46 K 2 Machines.

"Rack Motion" Mechanism for Loper making a Double Chain Stitch (Piqué) for Glove Work.

CONTENTS.

	Pages.
PARTS, COMPLETE,	5 to 8
MACHINES HINGES,	9
ACCESSORIES,	9
STAND,	10
OBSOLETE PARTS,	11
NUMERICAL LIST OF PARTS.	12 to 16

No.	Plate.		Old No.	Price.
91801	—	Arm	1	—
04380	367	" Dowel Pin (2)	1A, 15K	1
8835E	367	" Screw (4)	—	1½
91802	—	Arm Side Cover	2	2 9
286D	367	" " " Thumb Screw	—	5
02007	367	" Spool Pin	73, 15K	1
91803	366	Balance Wheel	11	4 6
91804	366	" " " Handle (wood)	16	2
SS 130D	367	" " " " Screw Spindle	—	3
91805	367	" " " Pin	15	½
91806	—	Bed	3A	—
91807	363	Face Plate	5	5 6
91808	364	" " Adjustable Thread Nipper Block	8	1 6
207D	367	" " " " " Screw	—	1
91809	367	" " Dowel Pin	6	1½
91810	365	" " Stitch Regulator, with 91811 and 91812	9	3 0
86D	367	" " " " Hinge Screw	—	2½
91811	367	" " " " Pin (Outside)	10	1
91812	367	" " " " " (Inside)	11	1
793D	367	" " Binding Thumb Screw	—	4
91813	367	" " Thread Guide Stud	7	3
8868D	367	" " Screw (to fasten to Machine)	—	2
91814	—	Face Plate, complete, Nos. 86D, 207D, 793D, 91807, 91808, 91810, 91813, and two 91809	1	11 3
91815	366	Horizontal Shaft	12	2 6
91816	365	" " " " " " " Loper Cam, with two 446C	13	3 0
446C	367	" " " " " " " " " Set Screw	—	1½
91817	—	Looper	17	5 0

No.	Plate.		Old No.	Price.
91818	364	Looper Column for 46 K 1 Machine	18	10 6
91819	364	" " " 46 K 2 "	18A	10 6
8003/014020	367	" " Thread Guide Pin	11/29K	1/2
91820	364	" " Hinged Needle Plate for 46 K 1 Mch.	19	10 0
91821	364	" " " " " 46 K 2 "	19A	10 0
91822	367	" " " " " Hinge Pin	20	1
91823	361	Looper Frame	21	5 6
91824	367	" " Pin	22	2
110/SS 47c	367	" " Screw	—	1 1/2
91825	366	Looper Gear Rack Pitman	23	2 9
91826	364	" " " " Adjustable Gib	26	1 6
133D	—	" " " " " " Screw	—	2
NX 35D	367	" " " " " Wing Nut for 133D	—	3
91827	366	Looper Lever, with 1813	23	2 9
378c	367	" " Connection Screw Stud	—	5
1520E	367	" " " " " Nut	—	1 1/2
SS 7D	367	" " Hinge Screw Stud	—	1 0
1513D	367	" " " " " Nut	—	2 1/2
91828	367	" " " " " Washer	21	2
1813	367	" " Roller and Stud	—	10
91829	—	Looper Spindle	28	1 6
91830	364	" " 91829, with 91817	27	8 0
91831	365	" " Bushing	29	6
SS 41c	367	" " Clamp Screw	—	1
91832	364	" " Gear	30	1 6
8003/014020	367	" " Pin	11/29K	1/2
91833	363	Needle Bar	32	6 0
91834	364	" " Cam	33	1 6
171c	367	" " " Screw	—	1 1/2
91835	367	" " " Steady Pin	31	1
91836	364	" " Thread Nipper	35	2 0
SS 231c	367	" " " Hinge Screw	—	3
91837	365	" " " Spring	36	1
91838	—	Needle Bar, complete, Nos. SS 27c, 91833, 91834, 91836, 91837, two each 171c and 91835	31	11 0
91839	367	Needle Clamp	52	1 0
1555D	367	" " Nut	—	2
91840	364	Needle Plate Latch	37	1 6
SS 9D	367	" " Hinge Screw	—	2
286D	367	" " Thumb Screw	—	5
91841	363	Presser Bar, with 91844 and 91845	39	6 0
91842	364	" " Hinge Block	40	9

No.	Plate.		Old No.	Price.
SS 68D	367	Presser Bar Hinge Block Screw	—	2
91843	363	" " Side Lever Bracket	41	1 9
152D	367	" " " " " Screw	—	1 1/2
91841	—	" " " Spring Stud	43	1
91845	—	" " Spring Eyelet	44	1/2
91846	—	Presser Bar, complete, Nos. SS 68D, 91841 to 91843, and two 152D	38	9 6
91847	363	Presser Bar Adjustable Drop Pawl	47	2 0
46D	367	" " " " " Hinge Screw	—	3
91848	363	Presser Bar Side Lever	46	2 6
81870	367	" " " " Hinge Pin	6/48K	1/2
RR 19	367	" " " " Roller	—	1 0
SS 230	367	" " " " Stud Screw	—	2
91849	—	Presser Bar Side Lever, complete, Nos. SS 230, RR 19, and 91854	45	3 9
91850	365	Presser Bar Side Spring	42	8
180D	367	" " " " Screw	—	1 1/2
91851	366	Presser Bar Spring, with 91856	49	3 0
91852	—	" " " 91851, with 515D, 91853, and 91854	48	5 6
91853	367	" " " Adjusting Block	50	2 0
515D	367	" " " " Wing Screw	—	5
91854	367	" " " " " Washer	51	2
119D	367	Presser Bar Spring Adjusting Screw	—	2 1/2
1539D	367	" " " " Thumb Nut	—	2 1/2
NX 24D	367	" " " " Thumb Nut	—	2
		" " " Jam Nut	—	2
91855	363	" " " Bracket	53	1 6
180D	367	" " " " Screw	—	1 1/2
91856	—	" " " Position Pin	—	1/2
91857	365	Presser Foot Feed Motion Cam, with 1836	57	5 0
1836	367	" " " " Cam Roller & Screw Stud	—	10
81870	367	" " " " Pin	6/48K	1/2
91858	363	Presser Bar Lever Over Cam	55	3 6
91859	—	" " " " 91858, with RR 20	54	5 0
RR 20	367	" " " " Roller & Screw Stud	—	1 6
27D	367	" " " " Hinge Screw	—	5
91860	365	" " " " Spring	56	3
91861	363	Presser Foot	58A	7 3
91862	365	" " Adjustable Side	59	6 0
SS 112D	367	" " " Eccentric Thumb Screw	—	1 3
91863	365	" " " " Spring	60	1
91864	367	" " " " Washer	61	4
207D	367	" " " " Screw	—	1
152D	367	" " " Screw	—	1 1/2
1555c	367	" " " Jam Nut	—	2

No.	Plate.	Description	Old No.	Price.
91865	365	Presser Foot (Adjustable), complete, Nos. 207D, SS 112D, and 91861 to 91864	58	17 6
91888	---	Presser Foot (fine).....	---	7 3
91889	---	" " Adjustable Side (fine).....	---	6 0
91890	---	Presser Foot (Adjustable) (fine), complete, Nos. 207D, SS 112D, 91863, 91864, 91888, and 91889 (for France only).....	---	17 6
91886	---	Presser Foot (plain), with four teeth, square cut (for Export only).....	80	10 0
91887	---	" " " with four teeth, angle cut (for France only).....	81	10 0
91866	365	Presser Foot Lifter.....	62	1 3
SS 69D	367	" " " Screw.....	---	3
* 91867	363	Seam Guide with 014026.....	63	2 6
SS 20D	367	" " Hinge Screw.....	---	3
91868	367	" " " Washer.....	61	1 ½
014026	367	" " " Stop Pin.....	11 29K	½
91869	---	Spool Holder Base Plate.....	---	---
SS 225B	367	" " " " Screwed Spool Pin.....	---	9
1560B	367	" " " " " Nut.....	---	2
91870	---	" " " " Hinge.....	11 15K	1 ½
91871	---	" " " " " Rivet.....	12 7	½
91872	366	Spool Holder, complete, Nos. SS 225B, 1560B, 91869, 91870, and two 91871	69	2 6
91873	366	Tension Bracket, with 014026.....	71	2 4
91874	---	" " " 91873, with 91875.....	70	2 6
180E	367	" " " Screw.....	---	1 ½
91875	367	" " " Thread Guide Eyelet.....	72	1
417	367	Tension Screw Stud.....	---	4
1560D	367	" " " " Nut.....	---	2
02102	367	" " Disc (2).....	88 15K	2 ½
02103	365	" " Spring.....	89 7	1 ½
91876	365	Thread Take-up.....	73	1 0
91877	364	" " " Guide.....	75	6
207D	367	" " " " Screw.....	---	1
SS 21D	367	" " " Hinge Screw.....	---	2
91878	365	" " " Spring.....	74	1
014026	367	" " " Stop Pin.....	11 29K	½
91879	365	Thread Take-down.....	76	9
SS 21D	367	" " " Hinge Screw.....	---	2
91880	365	" " " Spring.....	77	1
91881	367	" " " Stop Pin.....	78	1
175D	367	" " " " Screw.....	---	1

* NOTE.—No. 91867 is only supplied with machine when specified on order and at an extra charge.

MACHINE HINGES.

No.	Plate.	Description	Old No.	Price.
08292	---	Machine Hinge, 08306, with 1518B, and 02807, for Stand Table.....	---	1 0
08306	---	" " " Nos. 525B, 08294, and 08295, for 08292.....	---	10 ½
525B	---	" " " Bolt for 08306.....	---	7 ½
1518B	---	" " " " Nut for 08292.....	---	2
02807	---	" " " " Washer for 08292.....	---	½
08294	---	" " " Connection for 08306.....	---	3
08295	---	" " " " Hinge Pin for 08306.....	---	½
80049	---	Machine Hinge, 80255, with 1518B and 02807, for Power Table.....	11A 15K	1 0
80255	---	" " " Nos. SS 75B, 08294, and 08295, for 80049.....	---	10 ½
SS 75B	---	" " " Bolt for 80255.....	---	8
1518B	---	" " " " Nut for 80049.....	---	2
02807	---	" " " " Washer for 80049.....	---	½
08294	---	" " " Connection for 80255.....	---	3
08295	---	" " " " Hinge Pin for 80255.....	---	½

Accessories for Nos. 46K1 and 46K2 Machines.

(GREAT BRITAIN.)

---	---	Instruction Book.....	---	---
026400	---	Oiler.....	47A 15K	2 ½
85318	---	Screw Driver.....	467	1
86163	---	Scissors (1 pair).....	780	1 0
86126	---	Tweezers (1 pair).....	717	9
36569	---	" Oiler.....	---	2 ½
86405	---	" Tweezers.....	---	3 0

STANDS AND STAND PARTS.

STAND No. 82819.

No.	Plate.		Old No.	Price.
025005	—	Band Wheel, 12 $\frac{3}{4}$ ", with 02117 and 025010	16 T.M.S.	3 9
025010	—	" " Crank	2A "	7 $\frac{1}{2}$
02117	—	" " " Pin	—	$\frac{1}{2}$
297c	—	" " " Screw Centre	—	5
1507E	—	" " " " Nut	—	2 $\frac{1}{2}$
82818	—	Belt, size $\frac{3}{8}$ ", length 63 $\frac{1}{2}$ ", with 025027	18 T.M.S.	6
025027	—	" Hook	5 "	$\frac{1}{2}$
025036	—	Brace, with three each 297c and 1507E	9c "	6 0
506E	—	" Bolt, with 1510E	—	1 $\frac{1}{2}$
1510E	—	" " Nut	—	1
025063	—	Leg (Right), with two each 025068 and 025069	15A T.M.S.	7 6
025068	—	" " Roller	16A "	2 $\frac{1}{2}$
025069	—	" " " Pin	17A "	$\frac{1}{2}$
82616	—	" (Left)	18A "	7 6
025074	—	Pitman (Adjustable), with two each 558E, 1570E, 025075, and 025123	19 "	1 0
025123	—	" Adjusting Block	20 "	1
558E	—	" " Screw	—	1 $\frac{1}{2}$
1570E	—	" " " Nut	—	1
025075	—	" " " Washer	21 T.M.S.	$\frac{1}{2}$
025081	—	Treadle, with 07958 and 011742	22B "	2 8
011742	—	" Pitman Washer	21 "	$\frac{1}{2}$
07958	—	" " " Pin	25 "	$\frac{1}{2}$
297c	—	" Screw Centre	—	5
1507E	—	" " " Nut	—	2 $\frac{1}{2}$
025086	—	Wrench for 1507 and 1510	26 T.M.S.	5
—	—	Wood Screw, 1", No. 12 (for fixing table to stand), per doz.	—	—
82819	—	Stand, complete, Nos. 025005, 025036, 025063, 025074, 025081, 025086, 82616, 82818, four 506E, and four Wood Screws, 1", No. 12	246 T.M.S.	—

OBSOLETE PARTS.

No.	Plate.		Old No.	Price.
91882	—	Bed	3	—
91883	366	" Hinge	18 N.E.	1 $\frac{1}{2}$
91884	—	Looper (Small) for Children's Gloves (obsolete, use 91817)	17A	5 0
91885	361	" Spindle, 91829, with 91884 (obsolete, use 91830)	27A	8 0

NUMERICAL LIST OF PARTS.

SCREWS.

No.	Plate.	Price.
27D	367	5
46D	367	3
86D	367	21
119D	367	21
133D	—	2
152D	367	11
152D	367	11
171C	367	11
175D	367	1
180D	367	11
180D	367	11
180E	367	11
207D	367	1
207D	367	1
207D	367	1
286D	367	5
286D	367	5
297C	—	5
297C	—	5
378C	367	5
417	367	1
440C	367	11
506E	—	11
515D	367	5
525B	—	71
558E	—	11
793D	367	4
SS7D	367	1 0
SS9D	367	2
SS20D	367	3
SS21D	367	2
SS21D	367	2
SS38E	367	11
SS44C	367	1
SS44C	367	1
SS68D	367	2

No.	Plate.	Price.
SS68D	367	2
SS69D	367	3
SS75B	—	8
SS112D	367	1 3
SS130D	367	3
SS225B	367	9
SS230	367	2
SS231C	367	3

NUTS.

No.	Plate.	Price.
1507E	—	21
1507E	—	21
1510E	—	1
1513D	367	21
1518E	—	2
1520E	367	11
1539D	367	21
1555C	367	2
1555D	367	2
1560B	367	2
1560D	367	2
1570E	—	1
AV21D	367	2
AV35D	367	3

ROLLERS.

No.	Plate.	Price.
1813	367	10
1836	367	10
RR19	367	1 0
RR29	367	1 6

013538. *Looper*

PARTS.

No.	Plate.	Old No.	Price.
02007	367	Arm Spool Pin	1
02102	367	Tension Disc	1 1/2
02103	365	" Spring	1 1/2
02117	—	Band Wheel Crank Pin	1 1/2
02807	—	Machine Hinge Bolt Nut Washer for 08292 and 80049	1 1/2
04389	367	Arm Dowel Pin	1
07958	—	Treadle Pitman Washer Pin	1 1/2
08292	—	Machine Hinge, 08306, with 1518B and 02807, for Stand Table	1 0
08294	—	" " Connection for 08306 and 80255	3
08295	—	" " " Hinge Pin	1 1/2
08306	—	" " Nos. 525B, 08294, and 08295, for 08292	10 1/2
011742	—	Treadle Pitman Washer for 025071	1 1/2
044026	367	Looper Column Thread Guide Pin	1 1/2
014026	367	Looper Spindle Gear Pin	1 1/2
014026	367	Seam Guide Stop Pin	1 1/2
014026	367	Thread Take-up Stop Pin	1 1/2
025005	—	Band Wheel, 12 1/2", with 02117 and 025010, for 82819	3 9
025010	—	" " Crank for 025005	7 1/2
025027	—	Belt Hook	1 1/2
025036	—	Brace, with three each 297c and 1507B, for 82819	6 0
025063	—	Leg (Right), with two each 025068 and 025069, for 82819	7 6
025068	—	" " Roller for 025063	2 1/2
025069	—	" " " Pin	1 1/2
025074	—	Pitman (Adjustable), with two each 558B, 1570B, 025075, and 025123 for 82819	1 0
025075	—	" Adjusting Screw Washer	1 1/2
025081	—	Treadle, with 07958 and 011742	2 8
025086	—	Wrench for 1507 and 1510	5
025123	—	Pitman Adjusting Block for 025074	1
0264	36569	Oiler	2 1/2
80049	—	Machine Hinge, 80255, with 1518B and 02807, for Stand Table	1 0
80255	—	" " Nos. 5575B, 08294, and 08295, for 80049	10 1/2
011663 81870	367	Presser Bar Side Lever Hinge Pin	1 1/2
011663 81870	367	" Foot Feed Motion Cam Pin	1 1/2
82616	—	Leg (Left)	7 6
82818	—	Belt, size 3/8", length 63 1/2", with 025027	6
82819	—	Stand, complete, Nos. 025005, 025036, 025063, 025074, 025081, 025086, 82616, 82818, four 506B, and four Wood Screws, 1", No. 12	216
85318	—	Screw Driver	1
86126	—	Tweezers (1 pair)	9
86123	—	Scissors (1 pair)	1 0
86405	—	Tweezers	3/0

No.	Plate.	Old No.	Price.
91801	—	Arm	1
91802	—	" Side Cover	2 2 9
91803	366	Balance Wheel	14 4 6
91804	366	" " Handle (Wood)	16 2
91805	367	" " Pin	15 1 1/2
91806	—	Bed	3A
91807	363	Face Plate for 91814	5 5 6
91808	364	" " Adjustable Thread Nipper Block for 91814	8 1 6
91809	367	" " Dowel Pin	6 1 1/2
91810	365	" " Stitch Regulator, with 91811 and 91812, for 91814	9 3 0
91811	367	" " " " Pin (outside) for 91810	10 1
91812	367	" " " " " (inside) for 91810	11 1
91813	367	" " Thread Guide Stud for 91814	7 3
91814	—	" " complete, Nos. 86D, 207D, 793D, 91807, 91808, 91810, 91813, and two 91809	4 11 3
91815	366	Horizontal Shaft	12 2 6
91816	365	" " Looper Cam, with two 446c	13 3 0
91817	—	Looper for 91830	17 5 0
91818	364	" Column for 46 K 1 Mch.	18 10 6
91819	364	" " " 46 K 2 Mch.	18A 10 6
91820	364	" " Hinged Needle Plate for 46 K 1 Mch.	19 10 0
91821	364	" " " " " 46 K 2 Mch.	19A 10 0
91822	367	" " " " " Hinge Pin	20 1
91823	364	" Frame	21 5 6
91824	367	" " Pin	22 2
91825	366	Looper Gear Rack Pitman	25 2 9
91826	364	" " " " Adjustable Gib	26 1 6
91827	366	Looper Lever, with 1813	23 2 9
91828	367	" " Hinge Screw Stud Washer	21 2
91829	—	Looper Spindle for 91830 and 91885	28 1 6
91830	364	" " 91829, with 91817	27 8 0
91831	365	" " Bushing	29 6
91832	364	" " Gear	30 1 6
91833	363	Needle Bar for 91838	32 6 0
91834	364	" " Cam for 91838	33 1 6
91835	367	" " " Steady Pin for 91838	31 1
91836	364	" " Thread Nipper for 91838	35 2 0
91837	365	" " " Spring for 91838	36 1
91838	—	" " complete, Nos. 5527c, 91833, 91834, 91836, 91837, two each 171c and 91835	31 11 0
91839	367	Needle Clamp	52 1 0
91840	364	Needle Plate Latch	37 1 6
91841	363	Presser Bar, with 91844 and 91845, for 91846	39 6 0
91842	364	" " Hinge Block for 91846	40 9
91843	363	" " Side Lever Bracket for 91846	41 1 9
91844	—	" " " Spring Stud for 91841	43 4
91845	—	" " Spring Eyelet for 91841	44 1 1/2
91846	—	" " complete, Nos. 5568D, 91841 to 91843, and two 152D	38 9 6
91847	363	Presser Bar Adjustable Drop Pawl	47 2 0

No.	Plate.	Old No.	Price.
91848	363	Presser Bar Side Lever for 91849	46 2 6
91849	—	" " " " complete, Nos. SS230, RR19, and 91848	45 3 9
91850	365	Presser Bar Side Spring	42 8
91851	366	" " Spring, with 91856, for 91852	49 3 0
91852	—	" " " 91851, with 515b, 91853, and 91854	48 5 6
91853	367	" " " Adjusting Block for 91852	50 2 0
91854	367	Presser Bar Spring Adjusting Block Wing Screw Washer	51 2
91855	363	" " " Bracket	53 1 6
91856	—	" " " Position Pin	— 1 1/2
91857	365	Presser Foot Feed Motion Cam, with 1836	57 5 0
91858	363	" Bar Lever Over Cam for 91859	55 3 6
91859	—	" " " " " 91858, with RR 20	51 5 0
91860	365	" " " " " Spring	56 3
91861	365	Presser Foot for 91865	58A 7 3
91862	365	" " Adjustable Side for 91865	59 6 0
91863	365	" " " Eccentric Thumb Screw Spring for 91865 and 91890	60 1
91864	367	" " " " Thumb Screw Washer for 91865 and 91890	61 4
91865	365	" " (Adjustable), complete, Nos. 207D, SS112b, and 91861 to 91864	58 17 6
91866	365	" " Lifter	62 1 3
91867	363	Seam Guide, with 014026	63 2 6
91868	367	" " Hinge Screw Washer	64 1 1/2
91869	—	Spool Holder Base Plate for 91872	—
91870	—	" " " " Hinge for 91872	11 15K 1 1/2
91871	—	" " " " " Rivet for 91872	12/ " 1/2
91872	366	" " complete, Nos. SS225B, 1560B, 91869, 91870, and two 91871	69 2 6
91873	366	Tension Bracket, with 014026, for 91871	71 2 4
91874	—	" " 91873, with 91875	70 2 6
91875	367	" Thread Guide Eyelet for 91874	72 1
91876	365	Thread Take-up	73 1 0
91877	364	" " Guide	75 6
91878	365	" " Spring	74 1
91879	365	Thread Take-down	76 9
91880	365	" " Spring	77 1
91881	367	" " Stop Pin	78 1
91882	—	Bed (obsolete)	3 —
91883	366	" Hinge (obsolete)	78 N.F. 1 1/2
91884	—	Looper (Small) for Children's Gloves (obsolete, use 91817)	EA 5 0
91885	364	Looper Spindle, 91829, with 91884 (obsolete, use 91830)	27A 8 0
91886	—	Presser Foot (plain), with four teeth, square cut (for E'port only)	80 10 0
91887	—	" " " " " angle cut (for France only)	81 10 0
91888	—	Presser Foot (fine) for 91890	— 7 3
91889	—	" " Adjustable Side (fine) for 91890	— 6 0
91890	—	" " " (fine), complete, Nos. 207D, SS 112b, 91863, 91864, 91888, and 91889 (for France only)	— 17 6

No. Plate

91848 363 Presser Bar Side Lever for 91849

Price

4.6

Form K 503.
October, 1904.
(Supersedes Form K 135.)

PLATE 363.

FULL SIZE.

ILLUSTRATED PRICE LIST OF PARTS

FOR

Nos. 46K1 & 46K2 Machines.



The Singer Manufacturing Co.

1904.

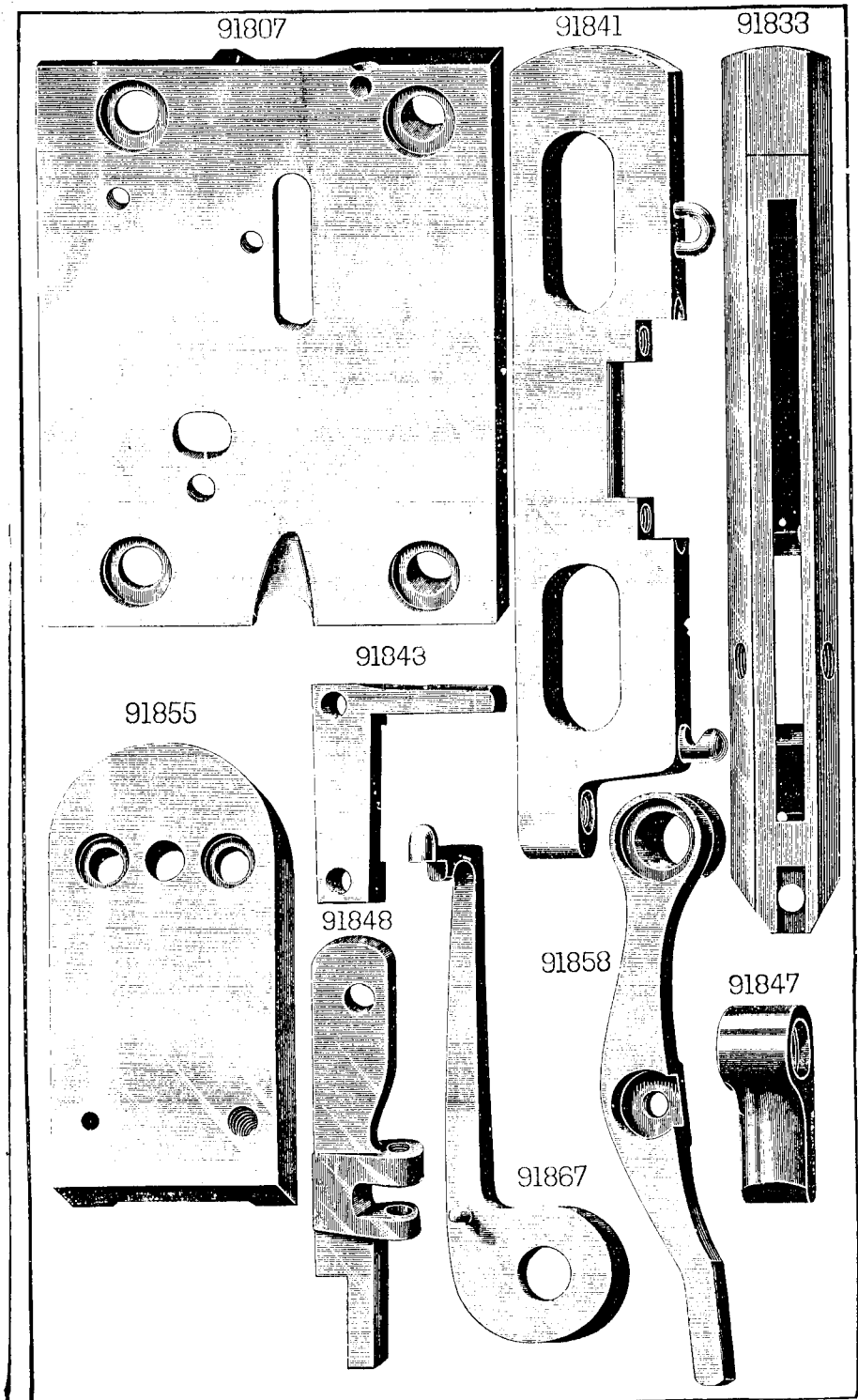


PLATE 364.

FULL SIZE.

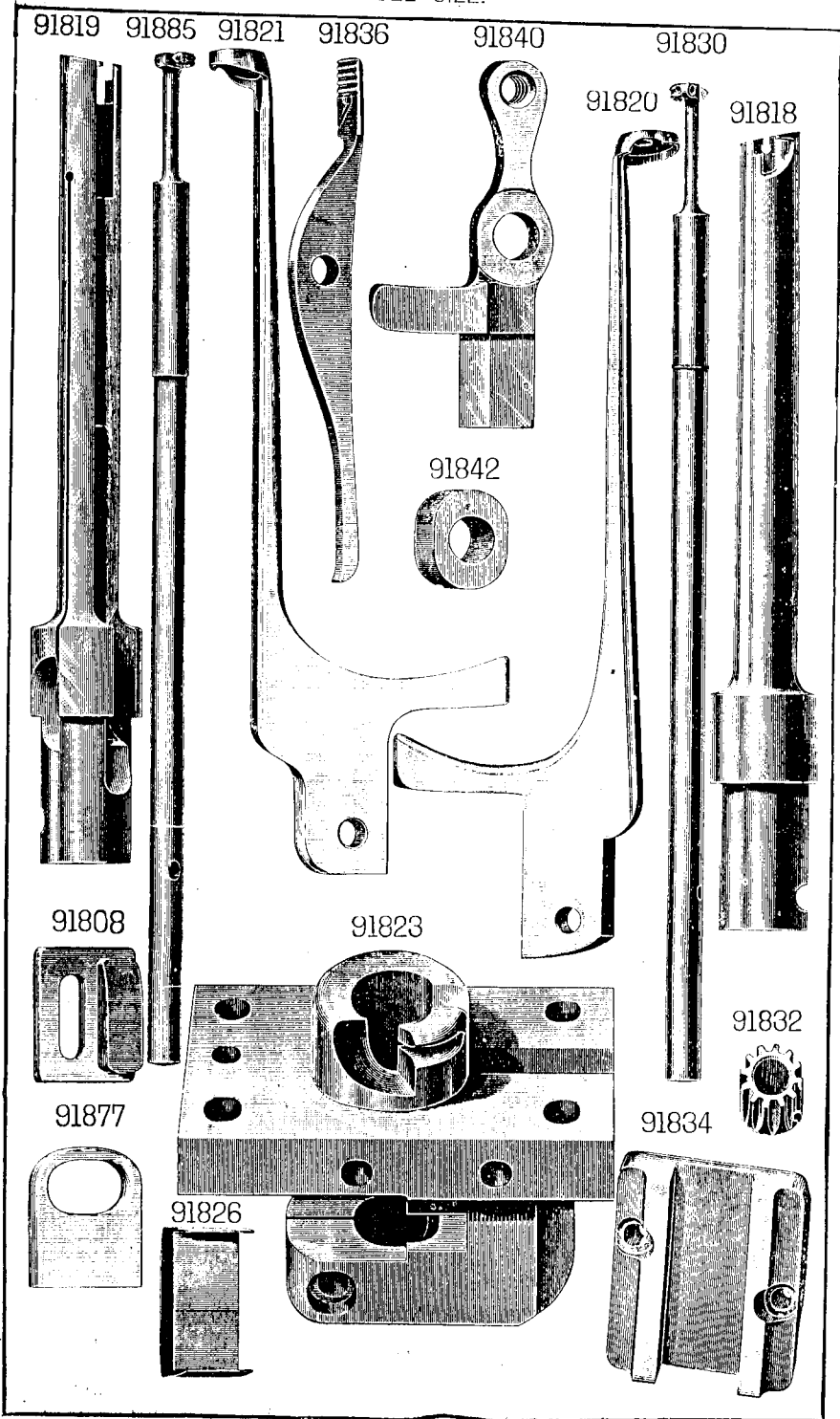


PLATE 365.

FULL SIZE.

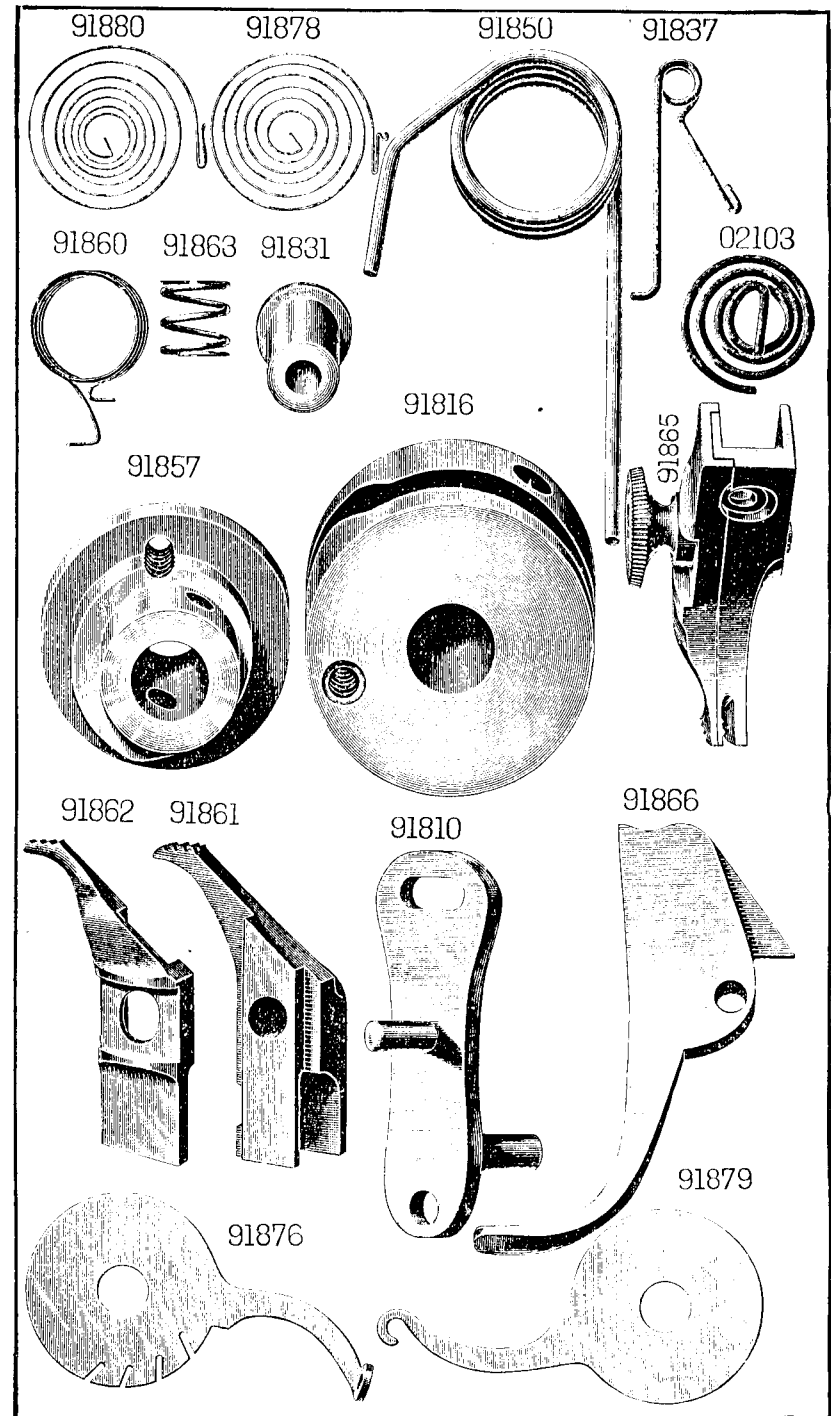


PLATE 366.
HALF SIZE.

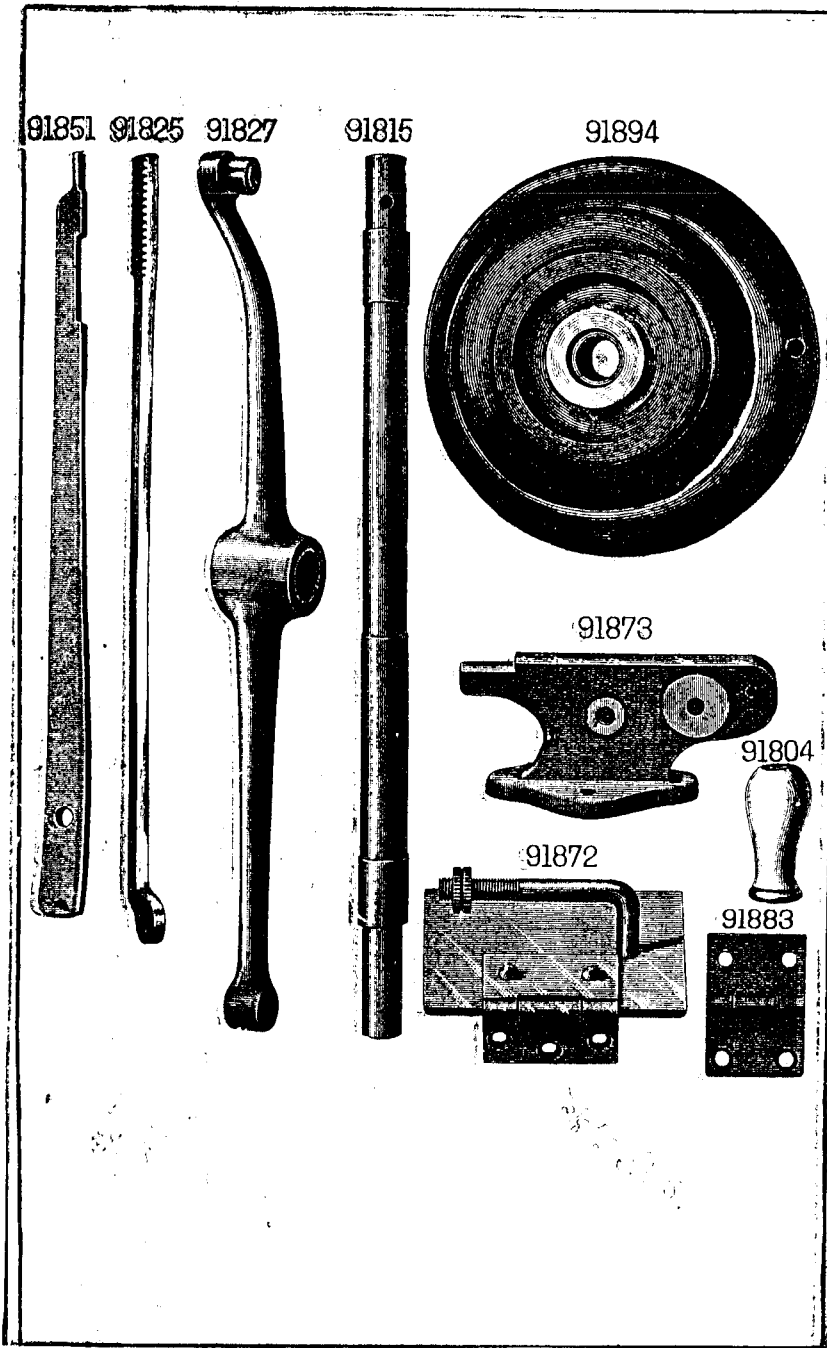


PLATE 367.
FULL SIZE.

