

**brother**®

**Home Sewing Machine**

**PARTS REFERENCE LIST**

**MODEL: PR600II/PR600IIC**

**PR620/PR620C**

**MECHANISMS & ELECTRONICS**

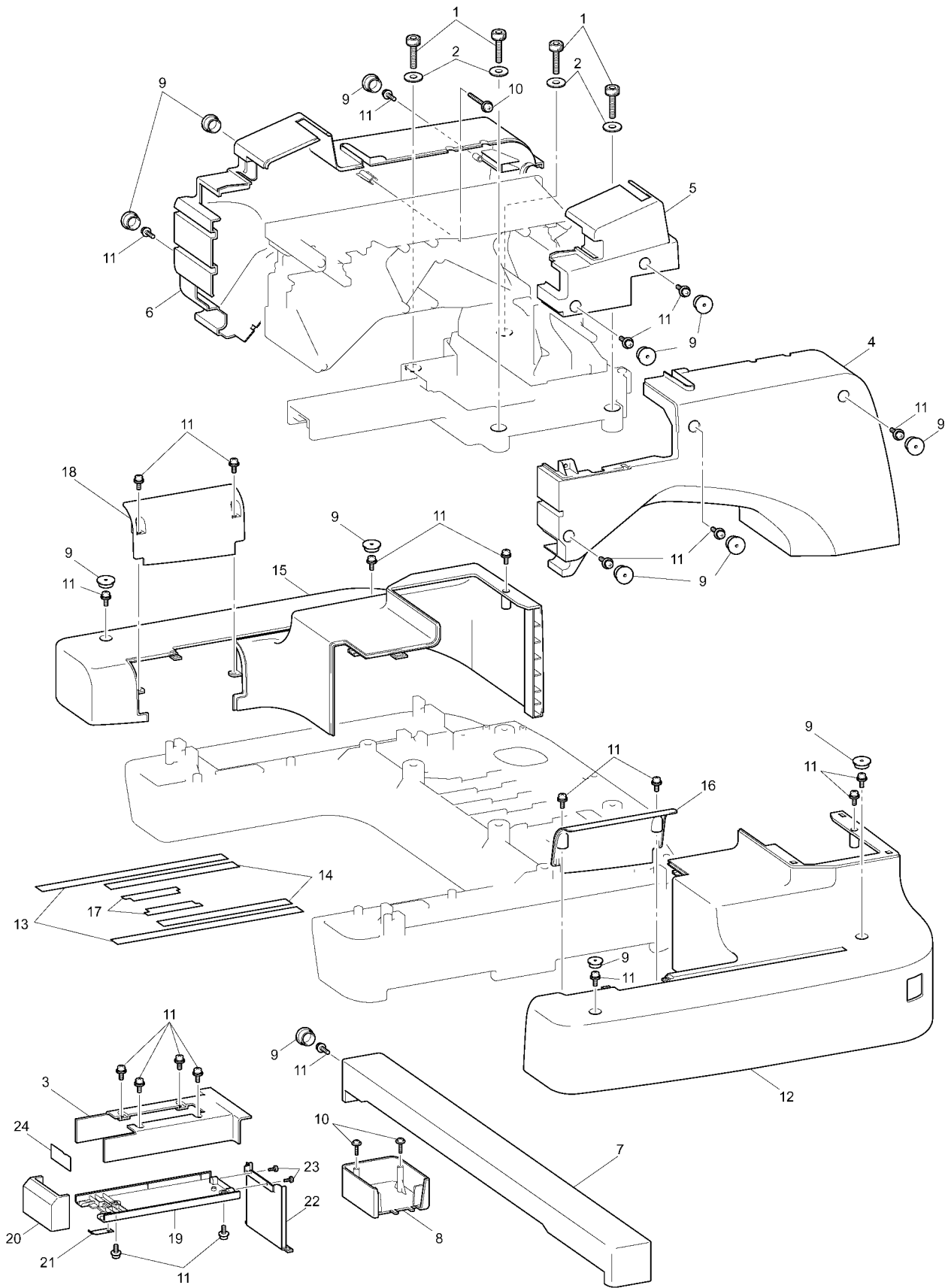
# CONTENTS

φ

(1) PRINCIPAL PARTS.....	2
(2) UPPER SHAFT MECHANISM.....	4
(3) NEEDLE BAR MECHANISM.....	6
(4) NEEDLE BAR CHANGE MECHANISM .....	8
(5) THREAD GUIDE MECHANISM.....	10
(6) ELECTRONIC PARTS.....	12
(7) MOTOR UNIT .....	16
(8) FEED MECHANISM .....	18
(9) LOWER SHAFT MECHANISM.....	24
(10) THREAD CUTTING MECHANISM .....	26
(11) THREAD WIPER MECHANISM .....	28
(12) UPPER THREAD GUIDE MECHANISM .....	30
(13) ATTACHMENTS.....	34
(14) PACKING MATERIALS / PRINTED MATTER.....	36
(15) ACCESSORY PARTS .....	38
Service Information .....	44



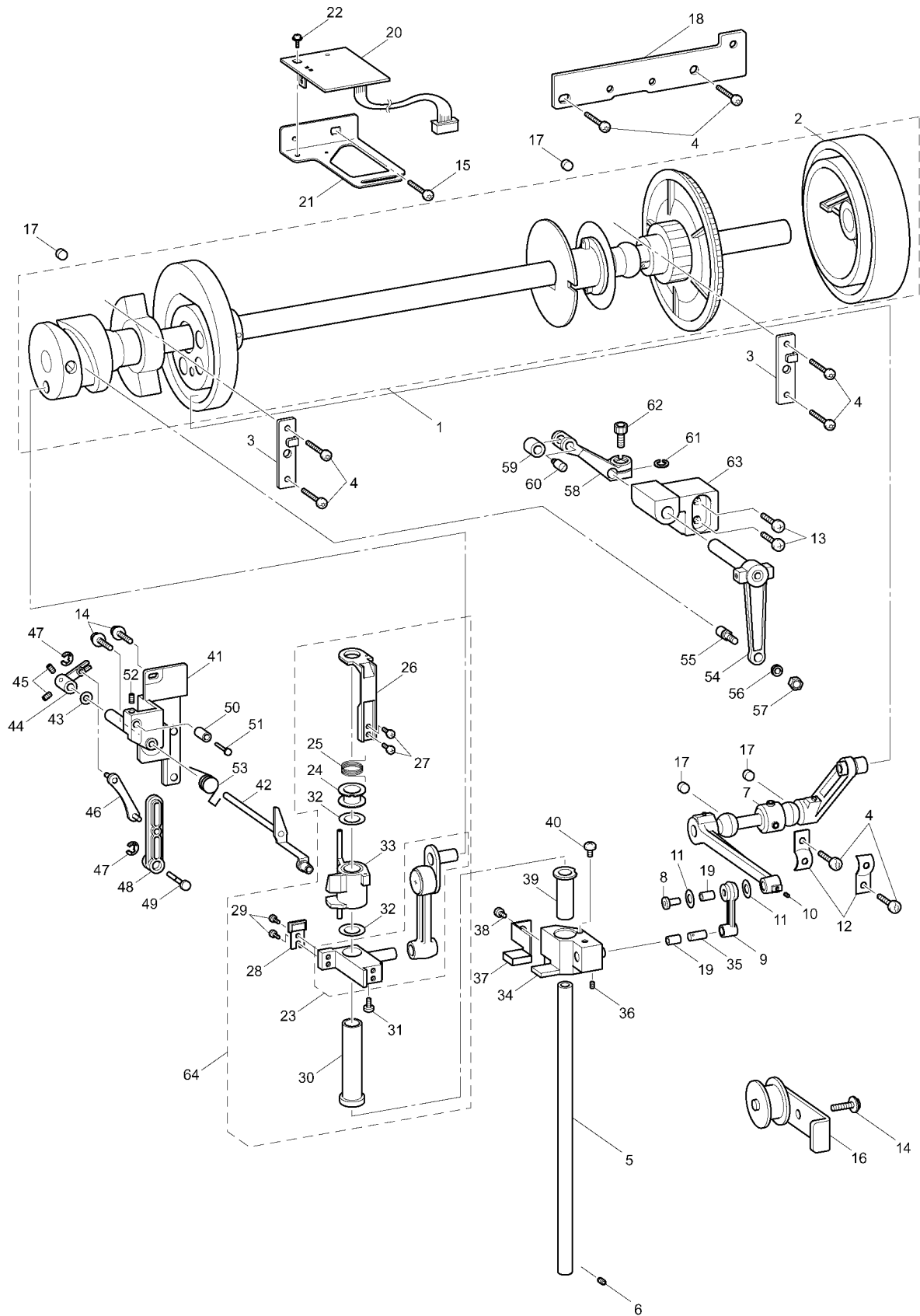
# (1) PRINCIPAL PARTS



## (2) UPPER SHAFT MECHANISM

No.	CODE	NAME	REMARKS	No.	CODE	NAME	REMARKS
1	XE3702001	UPPER SHAFT SUPPLY ASSYφ	1000006160	45	014300432	SET SCREW, SOCKET (CP) M3X4φ	
2	XC5597151	PULLEYφ		46	XC5657051	J LINK ASSYφ	
3	XC6362051	METAL PRESSERφ		47	048040346	RETAINING RING, E4φ	
4	X57908051	TAPTITE,BIND S M4X10φ		48	XC5661051	J SLIDE LEVERφ	
5	XC5623051	BASE NEEDLE BARφ		49	XC5662051	J SLIDE LEVER SHAFTφ	
6	014500632	SET SCREW, SOCKET (CP) M5X6φ		50	XC5663051	J CUSHIONφ	
7	XC5624251	DRIVING SHAFT ASSY, P-FOOTφ		51	XC5664051	J CUSHION PINφ	
8	XC5632251	P-FOOT LEVER SHAFTφ		52	012300432	SET SCREW, SOCKET (FT) M3X4φ	
9	XC5633151	CONNECTING ROD, P-FOOTφ		53	XC5665051	J LEVER SPRINGφ	
10	014400432	SET SCREW, SOCKET (CP) M4X4φ		54	XC5639051	DRIVING LEVER ASSY, T/TAKE-UPφ	
11	X50546050	WASHER, THRUSTφ		55	XC5627051	ROLLER SHAFT ASSYφ	
12	132421051	BUSHING PRESSERφ		56	028050246	WASHER, SPRING 2-5φ	
13	060501216	SCREW, BIND M5X12φ		57	021500103	NUT, 1 M5φ	
14	0A5401005	SCREW, PAN (S/P WASHE) M4X10φ		58	XC5645051	DIFFERENTIAL LEVER, T/TAKE-UPφ	
15	138172051	SCREW,PAN(S/P WASHER)M4X10φ		59	107550002	ROLLERφ	
16	XC6784051	TENSION PULLEY ASSYφ		60	S32575001	THREAD TAKE-UP ROLLER PINφ	
17	XC3183051	FELTφ		61	148782001	SPACERφ	
18	XD0767051	LED PCB PLATEφ		62	018501232	BOLT, SOCKET M5X12φ	
19	XZ0207051	LINK FELT,3.3Mφ		63	XC5646051	BEARING, T/TAKE-UPφ	
20	XC6136051	ASSY:MAIN SHAFT SENSORφ					
21	XC5666051	SENSOR HOLDERφ		64	XZ0319051	JUMP BRACKET ASSY	1000004041
22	052300606	SCREW, PAN (S/P WASHER) M3X6φ					
23	XC7135051	CRANK ROD SETφ					
24	XC5616051	J SPRING COLLARφ					
25	XC5617051	J SPRINGφ					
26	XC5614051	J BRACKETφ					
27	062300416	SCREW, PAN M3X4φ					
28	XC5622051	J CUSHION BASEφ					
29	062260316	SCREW, PAN M2.6X3φ					
30	XC5621051	J VERTICAL BUSHφ					
31	008260304	SCREW, TRUSS M2.6X3φ					
32	131976050	WASHER, THRUSTφ					
33	XC5618001	JUMP BRACKETφ					
34	XC5635151	P-FOOT VERTICAL BASEφ					
35	XC5636151	P-FOOT VERTICAL PINφ					
36	014400432	SET SCREW, SOCKET (CP) M4X4φ					
37	XC5638151	PRESSER FOOT CUSHION BASEφ	1000007827				
38	060300516	SCREW, BIND M3X5φ					
39	XC5637051	P-FOOT VERTICAL BUSHφ					
40	008260304	SCREW, TRUSS M2.6X3φ					
41	XC5648051	J BASE ASSYφ					
42	XC5651051	J DRIVING LEVER ASSYφ					
43	X53027050	WASHERφ					
44	XC5656051	J DIFFERENTIAL LEVERφ					

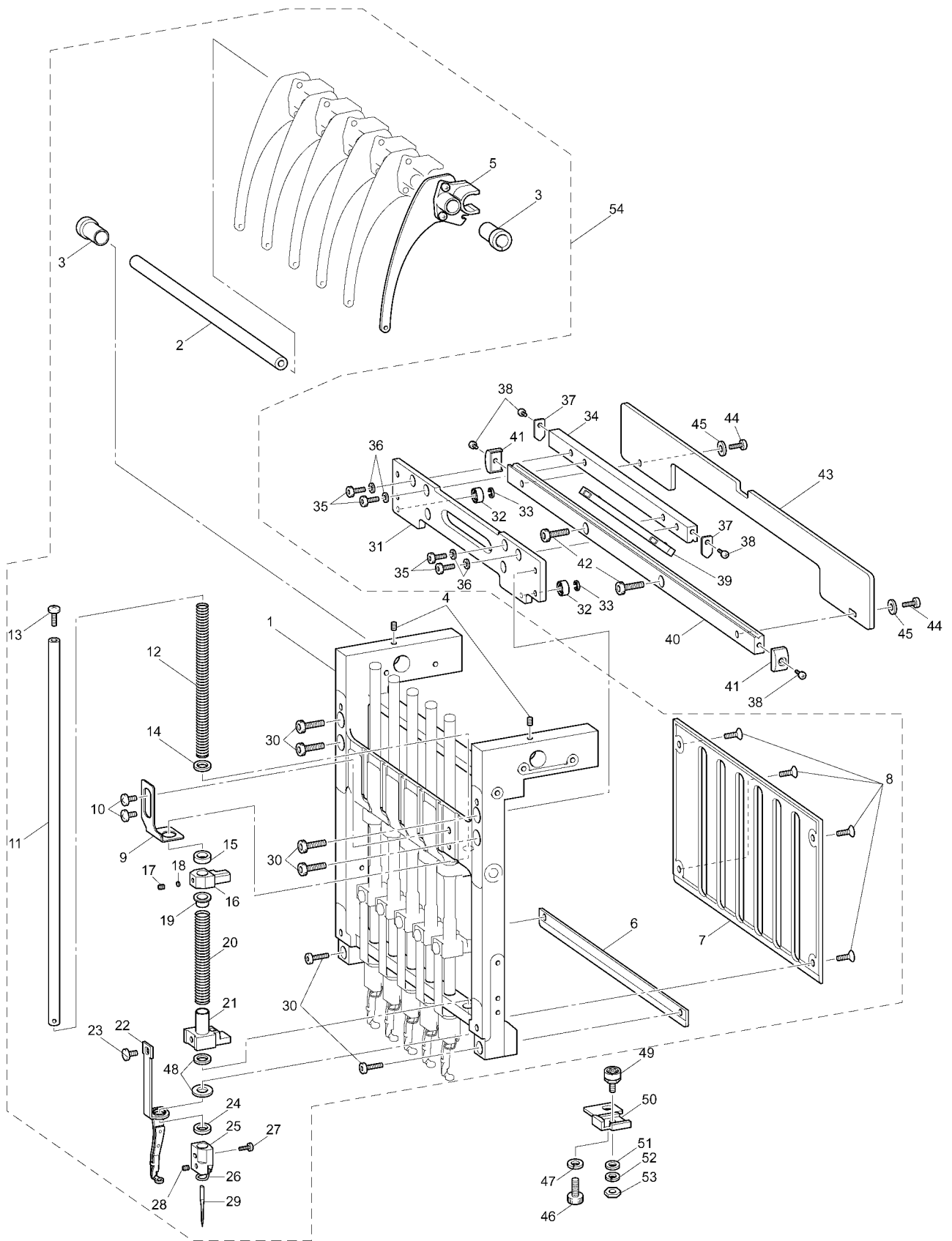
## (2) UPPER SHAFT MECHANISM



### (3) NEEDLE BAR MECHANISM

No.	CODE	NAME	REMARKS	No.	CODE	NAME	REMARKS
1	XC4954051	NEEDLE BAR CASE ASSYφ		45	025040236	WASHER, PLAIN M 4φ	
2	XC5671051	THREAD TAKE-UP SHAFTφ		46	018501632	BOLT, SOCKET M5X16φ	060139
3	XC5672051	THREAD TAKE-UP BUSHφ		47	028050246	WASHER, SPRING 2-5φ	
4	012400432	SET SCREW, SOCKET (FT) M4X4φ		48	XC7249052	NEEDLE BAR FELT Sφ	
5	XC5673051	THREAD TAKE-UP LEVER ASSYφ		49	XC7472051	CASE POSITIONING SHAFT ASSYφ	
6	XC5676051	CASE GUIDE, Dφ		50	XC5702051	CASE POSITIONING PLATEφ	
7	XC5677051	GUIDE RAIL, NEEDLE BARφ		51	025040236	WASHER, PLAIN M 4φ	
8	004401003	SCREW, FLAT M4X10φ		52	028040246	WASHER, SPRING 2-4φ	
9	XC5678051	TOP DEAD CENTER PLATEφ		53	021400206	NUT, 2 M4φ	
10	060400616	SCREW, BIND M4X6φ					
11	XC5679051	NEEDLE BARφ		54	XE2882001	NEEDLE BAR UNIT ASSY	1000003631
12	XC5680051	SPRING, NEEDLE BARφ					
13	062500816	SCREW, PAN M5X8φ					
14	118735002	WASHERφ					
15	S36153100	RUBBER, CUSHIONφ					
16	XE1172001	NEEDLE BAR CLAMPφ	1000004005				
17	014680432	SET SCREW, SOCKET SM4.37-40X4φ					
18	100507050	WASHERφ					
19	XC5682051	PRESSER FOOT SPRING COLLARφ					
20	XC5683051	PRESSER FOOT SPRINGφ					
21	XC5684051	PRESSER FOOT CLAMPφ					
22	XC5685051	PRESSER FOOT ASSYφ					
23	XC5688051	SCREW, P/Fφ					
24	XC5689051	PRESSER FOOT CUSHIONφ					
25	XC5690051	THREAD GUIDE, NEEDLE BARφ					
26	XC7020051	THREAD GUIDEφ					
27	XC7021052	SCREW SM 2.38φ					
28	016300436	SET SCREW, SOCKET (CN) M3X4φ					
29	XC5691011	NEEDLE HAX130 EBBRφ					
30	018401632	BOLT, SOCKET M4X16φ					
31	XC5693051	CASE BRACKET ASSYφ					
32	070694009	BALL BEARING, RADIAL 694φ					
33	048030346	RETAINING RING, E3φ					
34	XC5696051	CASE GUIDE, USφ					
35	018400832	BOLT, SOCKET M4X8φ					
36	XC7406051	WASHERφ					
37	XC5697051	SLIDE ROLLER STOPPERφ					
38	062300416	SCREW, PAN M3X4φ					
39	XC5698051	SLIDE ROLLERφ					
40	XC5699051	CASE GUIDE, ULφ					
41	XC5700051	CASE GUIDE COVER, ULφ					
42	018401232	BOLT, SOCKET M4X12φ					
43	XC5701051	THREAD TAKE-UP GUIDEφ					
44	062400816	SCREW, PAN M4X8φ					

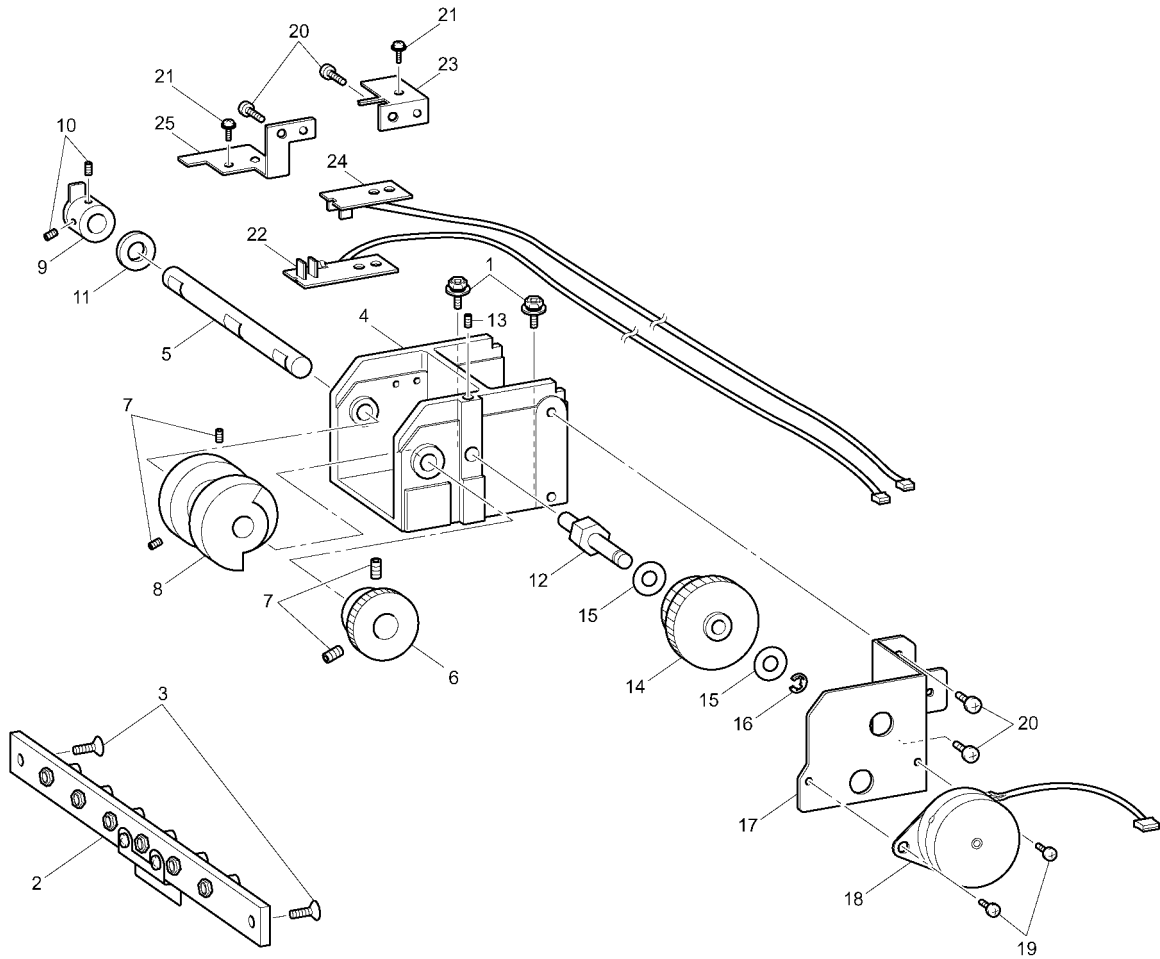
### (3) NEEDLE BAR MECHANISM





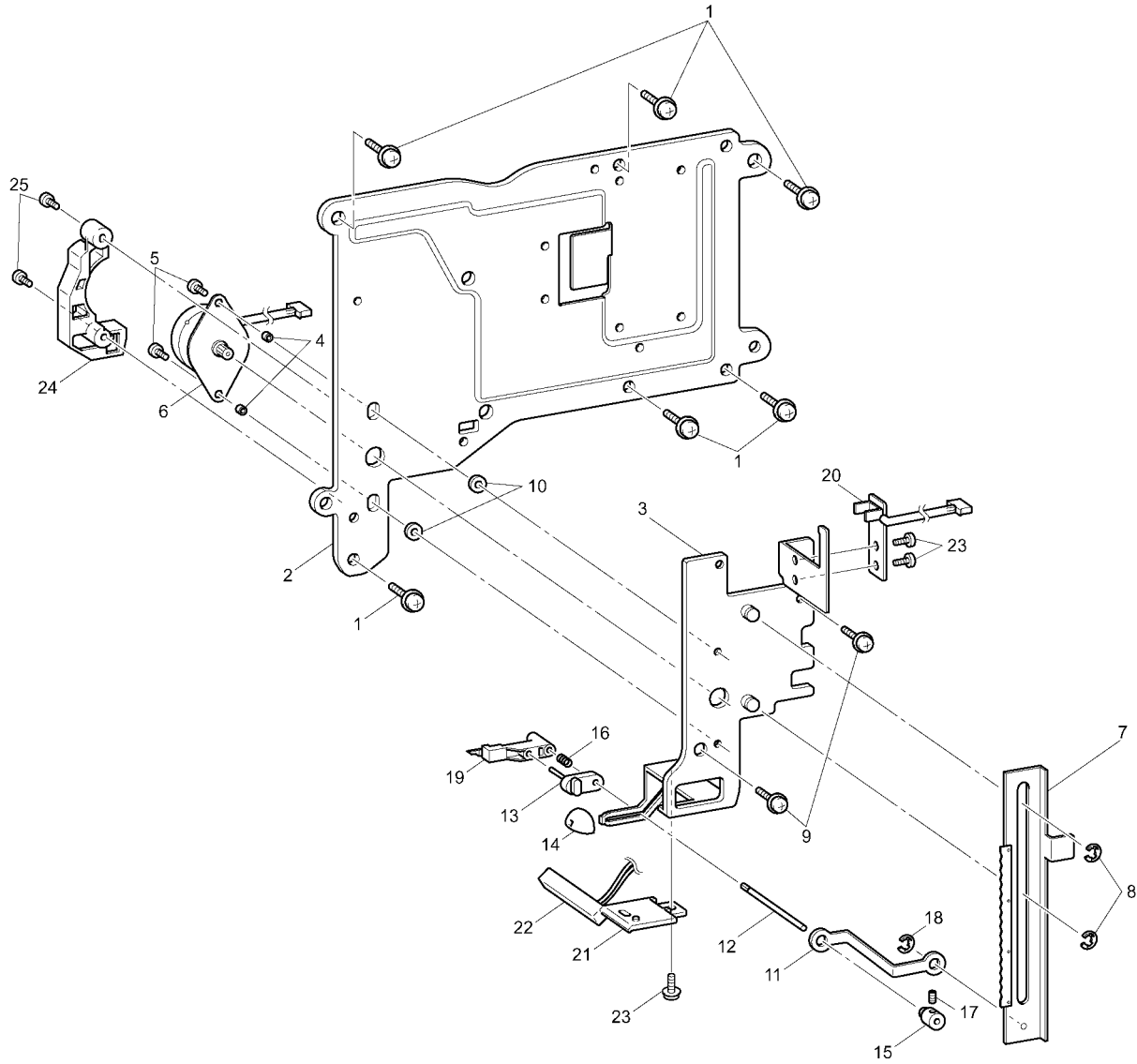


## (4) NEEDLE BAR CHANGE MECHANISM





## (5) THREAD GUIDE MECHANISM

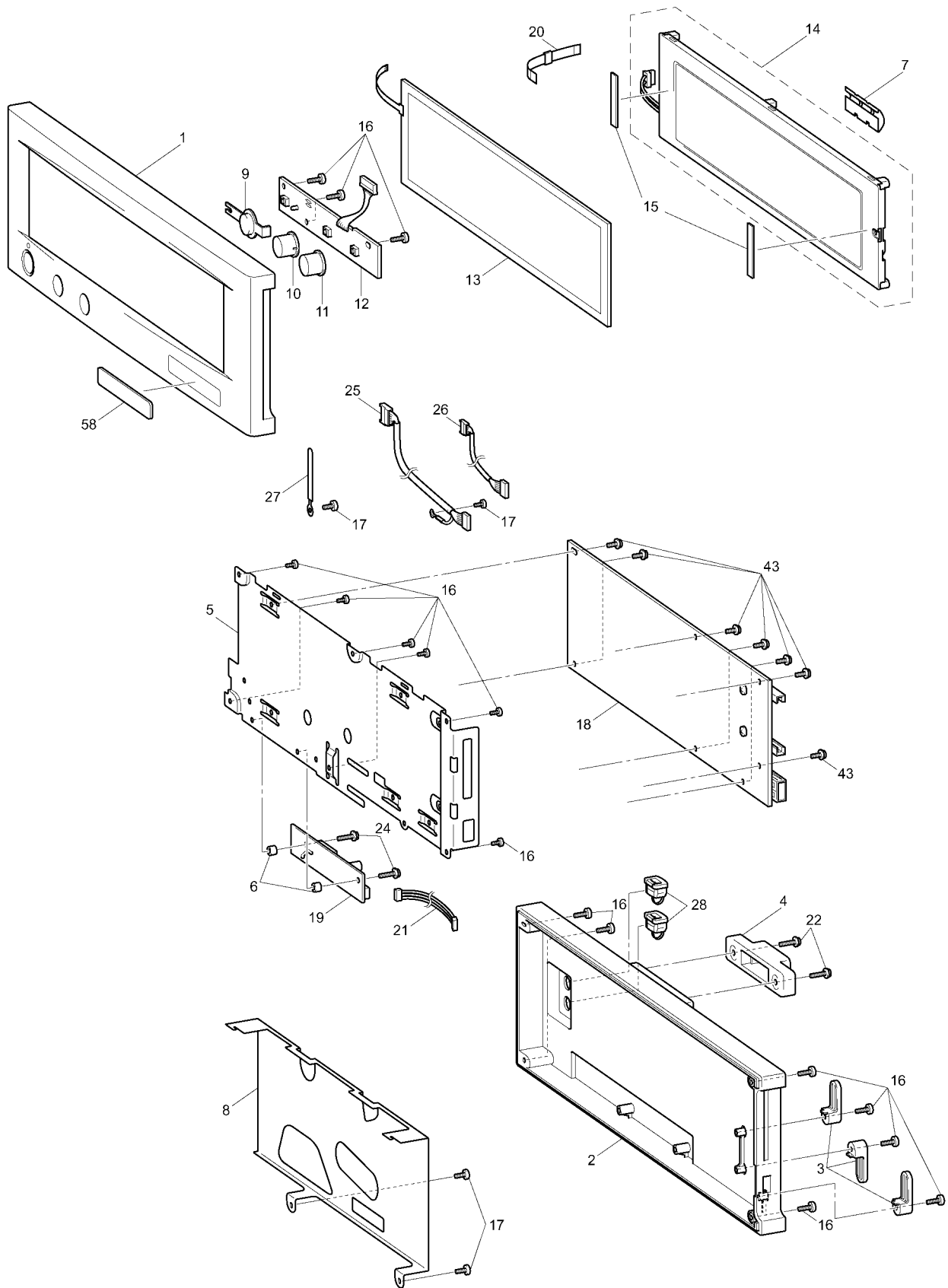


## (6) ELECTRONIC PARTS

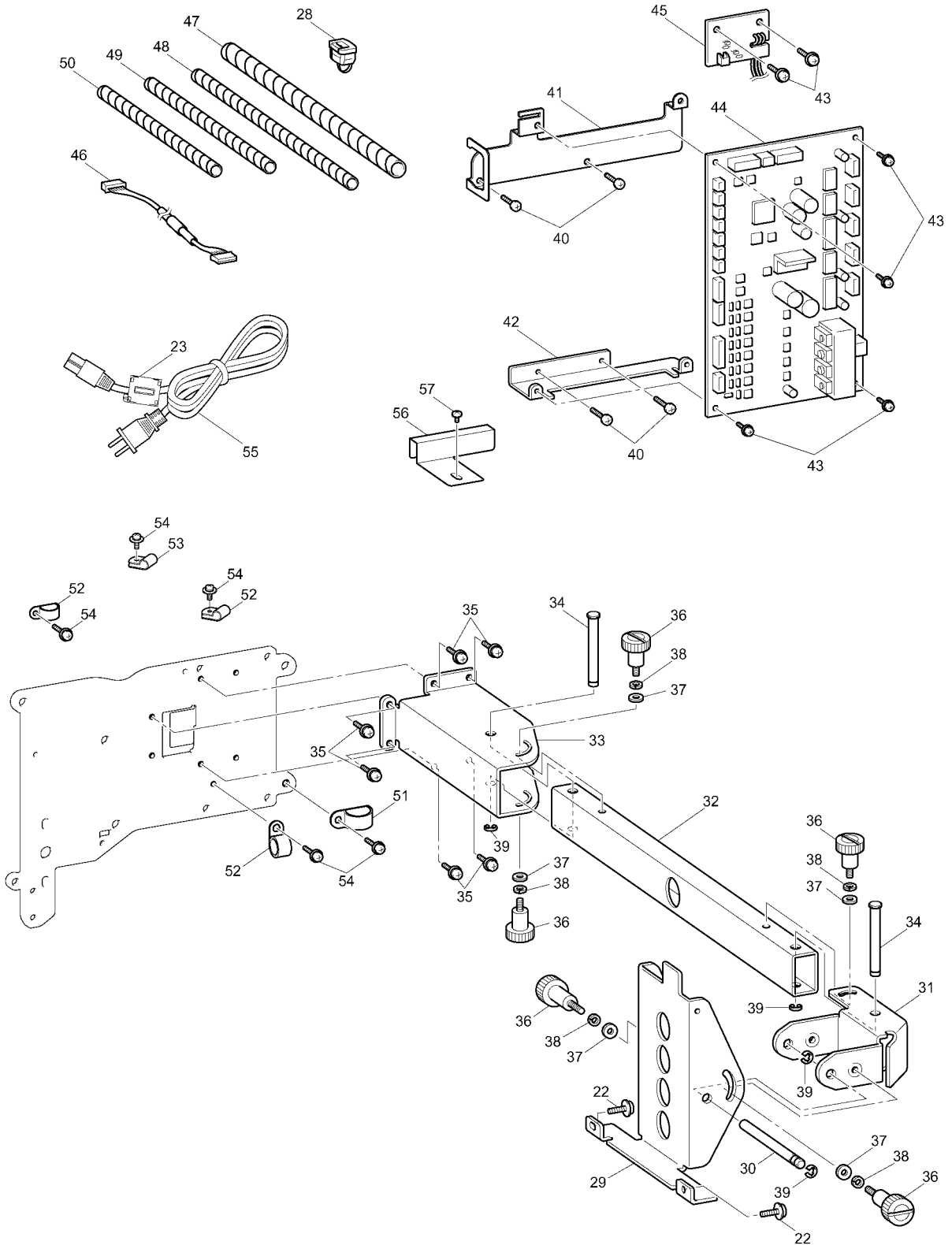
No.	CODE	NAME	REMARKS	No.	CODE	NAME	REMARKS
1	XD0667052	OPERATION PANEL A		44	XC7396051	SUPPLY ASSY:MAIN PCB	
2	XD0668051	OPERATION PANEL B		45	XD1079051	LED DRIVE PCB ASSY	
3	XD0761051	USB CORD HOLDER		46	XC6198051	LEAD WIRE ASSY:HEAD	
4	XD0757051	PANEL B SUPPORT		47	XC5069051	SPIRAL TUBE A	
5	XD0669051	PLATE FOR PCB ATTACHMENT		48	XC5073051	SPIRAL TUBE B	
6	XD0677051	COLLAR FOR INVERTER PCB		49	XC5078051	SPIRAL TUBE C	
7	XD0759050	GROUND PLATE B		50	XC6407051	SPIRAL TUBE D	
8	XD0756051	BOARD CASE		51	XZ0201051	CORD CLAMP:WL-5/8	
9	XC5743052	SS BUTTON		52	XC5243051	CORD CLAMP:NK-5N	
10	XC5744052	OPERATION BUTTON		53	S10243000	CORD HOLDER, NK-3N	
11	XC5642052	THREAD CUT BUTTON		54	0A5401005	SCREW, PAN (S/P WASHE) M4X10	
12	XD1345051	SUPPLY ASSY:SW PCB		55	XC6579051	POWER SUPPLY CORD:CSA-CORE (U.S.A., CANADA)	
13	XD1341051	SUPPLY ASSY:TOUCH PANEL			XD0110151	POWER SUPPLY CORD:IRAM-CORE (ARG)	1000008314
14	XD1342051	SUPPLY ASSY:LCD			XC6580051	POWER SUPPLY CORD:CEE-CORE (OTHER)	
	XD1343051	SUPPLY ASSY:LCD US			XC6581051	POWER SUPPLY CORD:BS-CORE (U.K.)	
15	XA6039051	FRONT COVER SPACER B			XC9560051	POWER SUPPLY CORD:SAA-LF (AUSTRALIA)	
16	X59629051	TAPTITE,BIND B M3X10			XE1963001	POWER SUPPLY CORD:CHN-CORE (CHN)	ADD
17	060300416	SCREW BIND M3X4			XE2744001	POWER SUPPLY CORD:BRZ-CORE (BRA)	1000004045
18	XD1338051	SUPPLY ASSY:PANEL PCB B		56	XC5157051	PROTECT SHEET	
19	XE2041001	INVERTER ASSY D6H	1000002899	57	060400516	SCREW, BIND M4X5	
20	XD1115051	FFC:SML2CD-20X70		58	XD0673001	PR-600-2 BADGE (PR600-2)	
21	XD1127051	LEAD WIRE ASSY: INVERTER			XE2156001	PR-620 BADGE (PR620)	
22	087411416	TAPTITE, CUP B M4X14					
23	XD1129001	FERRITE CORE:E04FD110510					
24	0A4301006	SCREW PAN (S/P WASHER) M3X10					
25	XD1155051	LEAD WIRE ASSY PANEL					
26	XD1156051	LEAD WIRE ASSY:USB A					
27	137947001	CLIP					
28	XC7233051	CORD BUSHING 5P-4					
29	XD0663051	OPERATION PANEL HOLDER					
30	XC5747051	OPERATION PANEL HOLDER SHAFT					
31	XD0664051	OPERATION PANEL LEVER A					
32	XD0674051	OPERATION PANEL LEVER B					
33	XD0666051	OPERATION PANEL LEVER C					
34	XC5751051	OPERATION PANEL LEVER SHAFT					
35	0A5400806	SCREW, PAN (S/P WASHER) M4X8					
36	XC5553051	THUMB BOLT M4 L					
37	026040236	WASHER, PLAIN M 4					
38	028040246	WASHER, SPRING 2-4					
39	048060346	RETAINING RING, E6					
40	X57908051	TAPTITE,BIND S M4X10					
41	XC5756051	BOARD HOLDER U					
42	XC5757051	BOARD HOLDER D					
43	XC7564051	SCREW, PAN (S/P WASHER) M3X6					



## (6) ELECTRONIC PARTS



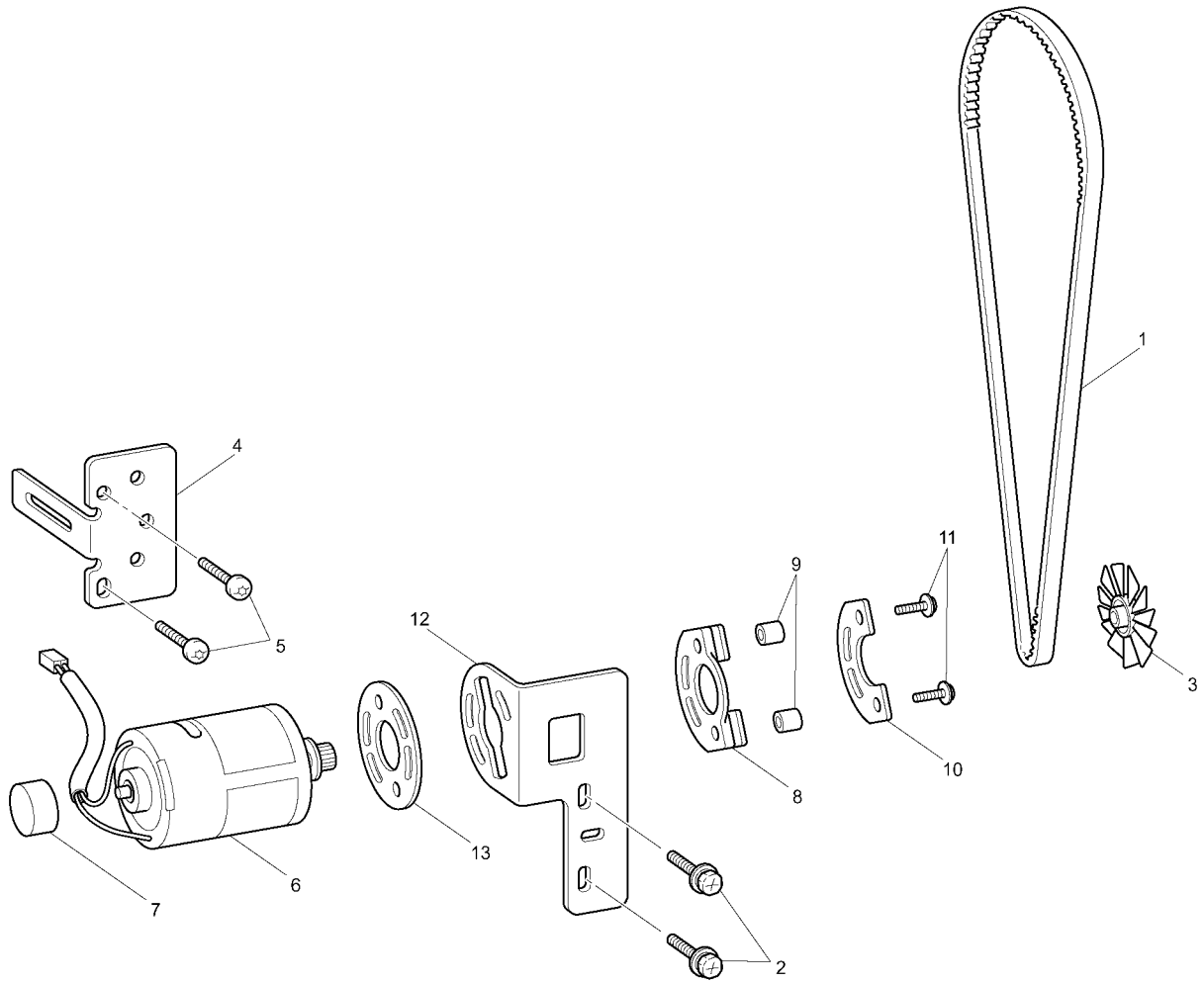
# (6) ELECTRONIC PARTS







## (7) MOTOR UNIT



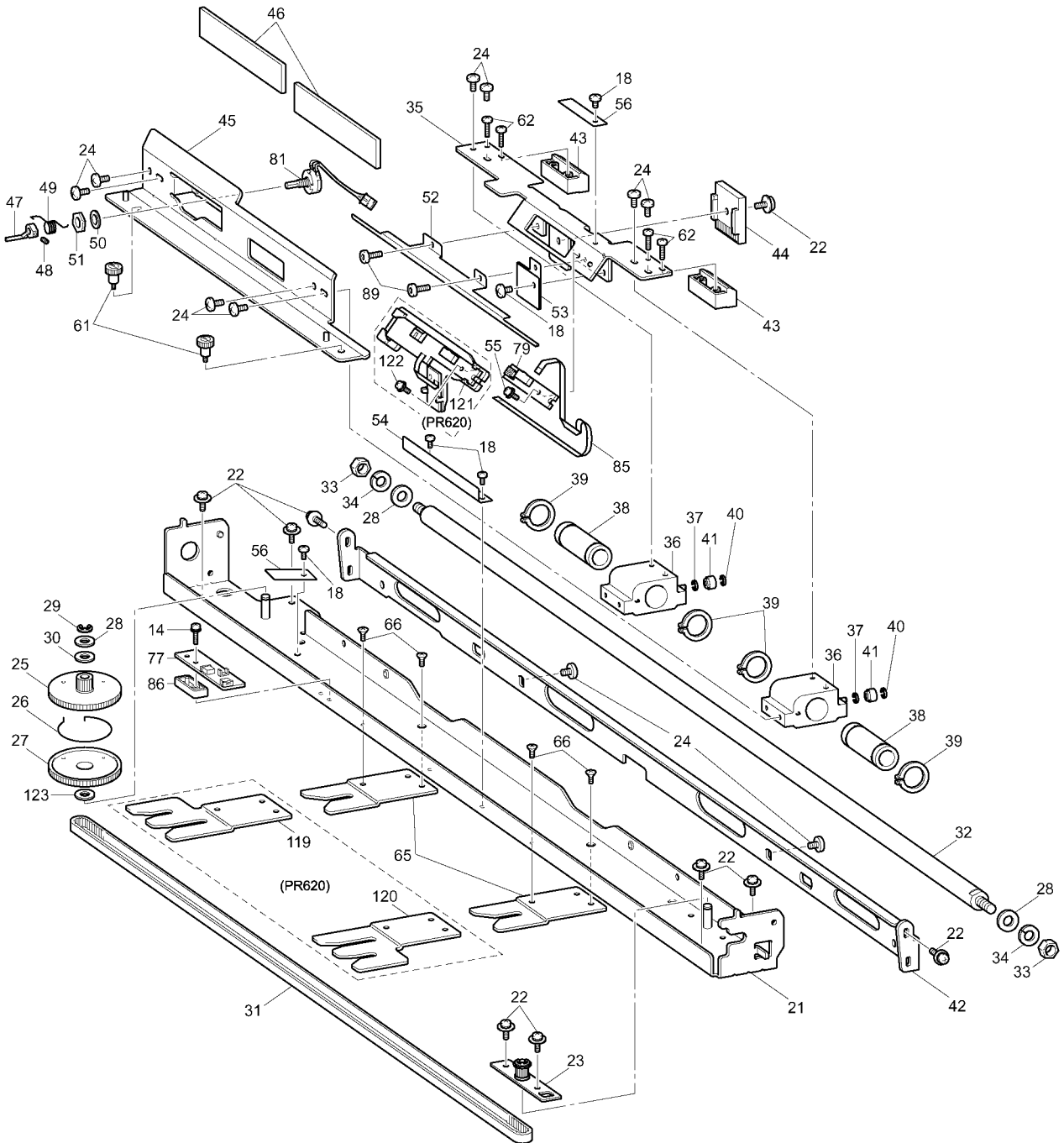
## (8) FEED MECHANISM

No.	CODE	NAME	REMARKS	No.	CODE	NAME	REMARKS
1	XD0747051	ADJUST BOLT M8	050168	45	XC5799051	X CARRIAGE A ASSY	
2	021080206	NUT, 2 M8		46	XC6220001	X CARRIAGE SLIDING SHEET	
3	XC5767151	Y DRIVING SHAFT ASSY		47	XC5801051	HOOP LEVER	
4	X52478051	BUSHING PRESSER		48	012300632	SET SCREW, SOCKET (FT) M3X6	
5	X57908051	TAPTITE,BIND S M4X10		49	XC5802051	SPRING	
6	XC5771051	Y TENSION PLATE SET		50	025060136	WASHER, PLAIN S 6	
7	0A5401006	SCREW, PAN (S/P WASHE) M4X10		51	X52569001	NUT	
8	XC5775051	T BELT B60S3M579		52	XC5803051	X SENSOR DOG	
9	XC5776051	Y CARRIAGE R		53	XC5804051	X CABLE FIXING SHEET A	
10	XC5777051	Y CARRIAGE L		54	XC5805051	X CABLE FIXING SHEET B	
11	XC5779051	BEARING CASE Y		55	XC7564051	SCREW, PAN (S/P WASHER) M3X6	
12	XC5780001	BEARING 10 ,LINER		56	XC5806051	X CABLE FIXING SHEET C	
13	048190142	RETAINING RING, EXTERNAL C19		57	XC5807051	PCB SET PLATE	
14	0A4301006	SCREW, PAN (S/P WASHE) M3X10		58	XC5808051	Y CABLE PROTECTION SHEET A	
15	XC5781051	Y BELT PRESSER		59	XC6121051	Y CABLE PROTECTION SHEET B	
16	085311416	TAPTITE, BIND P M3X12	1000004936	60	XC5809051	CODE GRIP	
17	XC5782051	Y SENSOR DOG		61	XC5817051	SCREW, KNOB M4S	
18	060300416	SCREW, BIND M3X4		62	085311415	TAPTITE,BIND B M3X14	060207
19	XC5783051	Y GUIDE SHAFT		63	XC5834051	HANDLE	
20	XC5784051	FIXED Y SHAFT PLATE		64	XC5835051	BUSH 4X4	
21	XC5785051	FEED FRAME ASSY		65	XC5836051	CAP CONNECTION (PR600-2)	
22	0A5400806	SCREW, PAN (S/P WASHER) M4X8		66	061300616	SCREW, FLAT M3X6	
23	XA9657051	TENSION PULLEY ASSY		67	XC5838051	USB PCB HOLDER	
24	060400616	SCREW, BIND M4X6		68	XC5837052	USB PCB COVER	
25	XC3227001	Y DRIVING GEAR PULLEY A		69	XC5839051	INLET COVER	
26	XC3194051	SPRING FOR GEAR		70	XC6072051	INLET COVER LID	
27	XC3192001	Y DRIVING GEAR PULLEY B		71	XA8837051	CORD CLAMP	
28	XE0863051	WASHER, M6	060060	72	XA7678051	CORD CRAMP	
29	048040346	RETAINING RING, E4		73	XE1829001	FERRITE CORE:K1NF-75(N)BK2	060208
30	X53838051	WASHER		74	XC6201051	ASSY: POWER SW (U.S.A., CANADA)	
31	XC5788051	T BELT B60S796			XC5644051	ASSY:POWER SW EC	
32	XC5789051	X GUIDE SHAFT		75	XC5840052	SWITCH HOLDER	
33	021060206	NUT, 2 M6		76	XC6174051	ASSY: USB PCB	
34	028060246	WASHER, SPRING 2-6		77	XC6146051	ASSY: X AREA SENSOR	
35	XC5790051	X CARRIAGE B		78	XC6148051	ASSY: Y AREA SENSOR	
36	XC5792051	BEARING CASE X ASSY		79	XC6169051	ASSY: HOOP PCB (PR600-2)	
37	048040346	RETAINING RING, E4		80	XC6171051	ASSY: CONNECT PCB	
38	XC6222001	BEARING 12 LINER		81	XC6177051	ASSY: HOOP SENSOR	
39	048210142	RETAINING RING, EXTERNAL C21		82	XC6182051	ASSY: X MOTOR	
40	048040346	RETAINING RING, E4		83	XC6189051	FFC:SML2CD-Y	
41	XC5796051	X ROLLER		84	XC6190051	FFC:SML2CD-C	
42	XC6221051	X FEED FRAME B		85	XC6191051	FFC:SML2CD-X	
43	XC6218051	Y FRAME SPACER		86	XC6219051	X FRAME SPACER	
44	XC5798051	X BELT PRESSER		87	XC6500051	Y CARRIAGE RB	

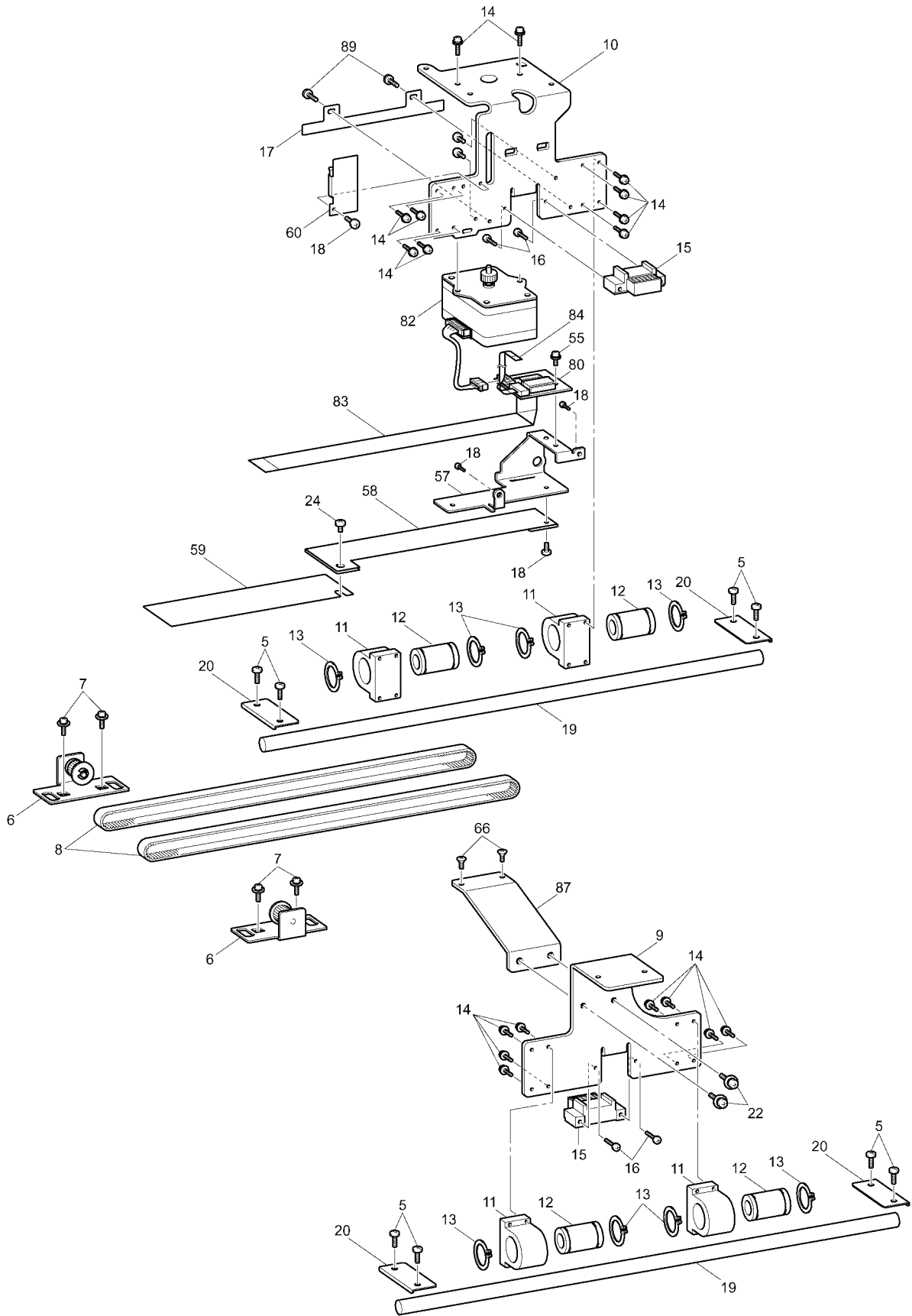
## (8) FEED MECHANISM

No.	CODE	NAME	REMARKS
88	XC3183051	FELT	
89	018300532	BOLT, SOCKET M3X5	
90	XC7077051	SCREW 3X10	
91	XC5819051	TUBULAR ROUND ARM R ASSY	
92	XC7076051	SPRING,PLATE	
93	XC7644051	SCREW, PAM (S/P WASHER) M3X5	
94	XC5823051	TUBULAR ROUND ARM L ASSY	
95	XC7076051	SPRING,PLATE	
96	XC7644051	SCREW, PAM (S/P WASHER) M3X5	
97	XC5827051	GUIDE PLATE ASSY	
98	XC5826051	SPRING PLATE	
99	XC5813051	HOOP STAY ASSY	
100	048030346	RETAINING RING, E3	
101	XC5816051	RUBBER	
102	0A5400806	SCREW, PAN (S/P WASHER) M4X8	
103	XC5841051	TUBULAR ARM COVER L	
104	XC5553051	THUMB BOLT M4 L	
105	XC5842051	TUBULAR ARM COVER R	
106	136681051	TAPTITE, BIND B M3X8	
107	XC5832251	POWER UNIT COVER	
108	XC5833051	INSULATION PLATE	
109	085311415	TAPTITE,BIND B M3X14	060207
110	XC7616051	SUPPLY ASSY:POWER PCB 100 (U.S.A., CANADA)	
	XC7398051	SUPPLY ASSY:POWER PCB 200	
111	XC6209051	LEAD WIRE ASSY:POWER	
112	XC5831051	POWER UNIT STAY	
113	0A5401206	SCREW, PAN (S/P WASHE) M4X12	
114	XC5810051	Y MOTOR STAY	
115	0A4300605	SCREW, PAN (S/P WASHER) M3X6	
116	XC6183051	ASSY: Y MOTOR	
117	XD0637051	TUBULAR ROUND ARM SUPPLY ASSY	ADD
118	XD0752051	RUBBER CUSHION	ADD
119	XE2319001	CYLINDER CONNECTION L (PR620, 620C)	ADD
120	XE2320001	CYLINDER CONNECTION R (PR620, 620C)	ADD
121	XE1808001	MAGNET PCB ASSY (PR620, 620C)	ADD
122	0A4300806	SCREW PAN (S/P WASHER) M3X8 (PR620, 620C)	ADD
123	X50546050	WASHER, THRUST	1000004606

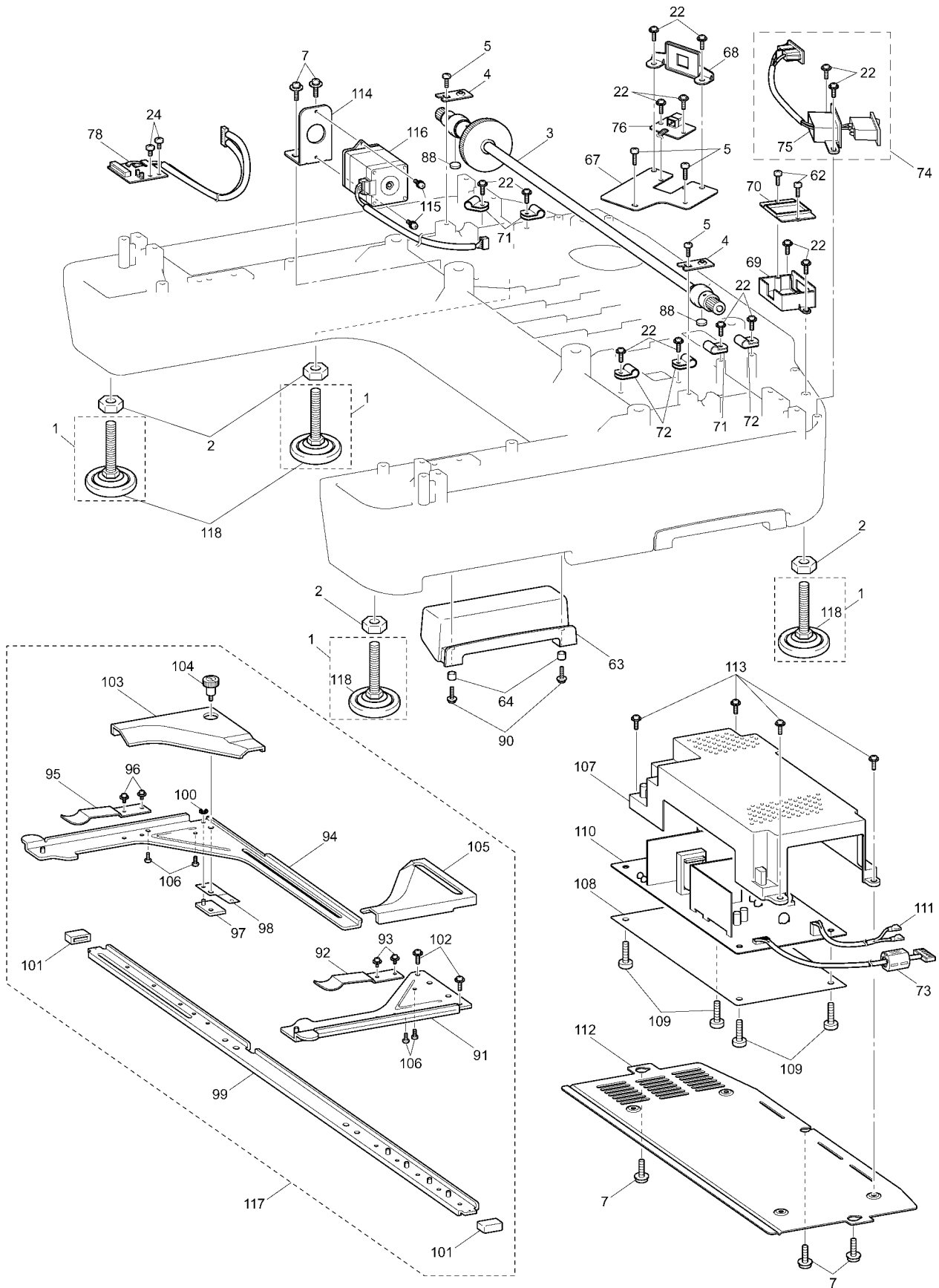
# (8) FEED MECHANISM



# (8) FEED MECHANISM



# (8) FEED MECHANISM

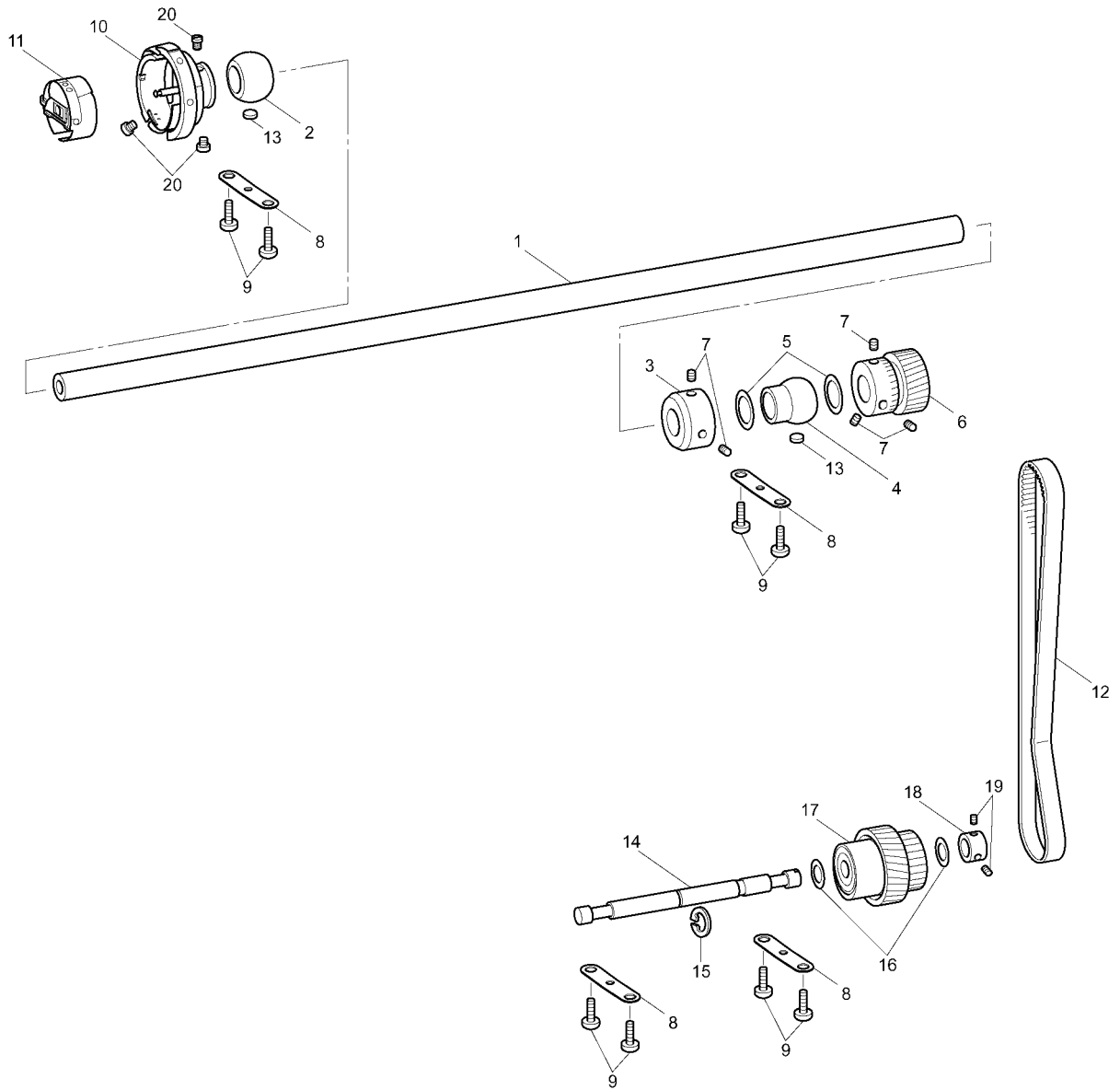








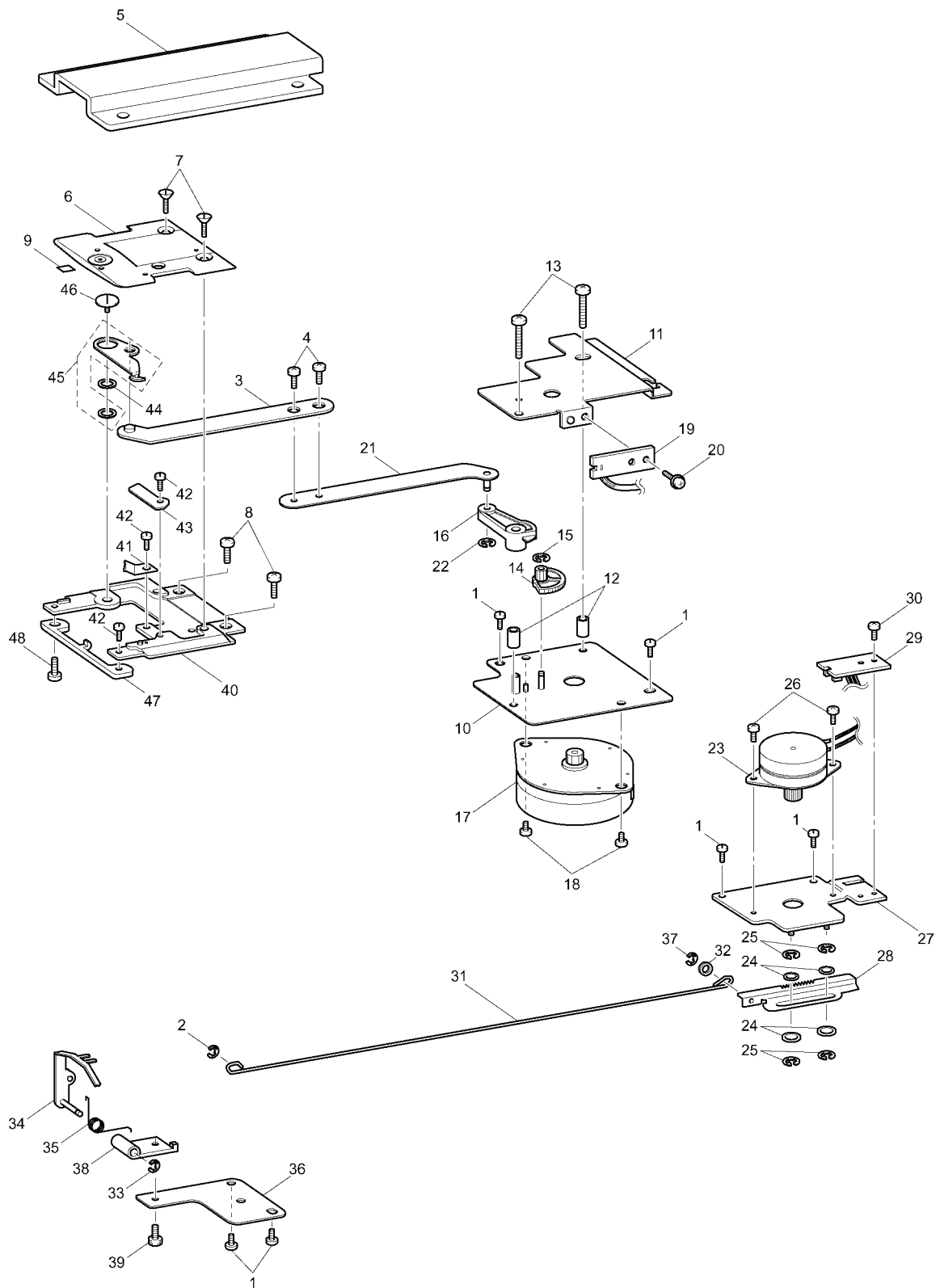
## (9) LOWER SHAFT MECHANISM



## (10) THREAD CUTTING MECHANISM

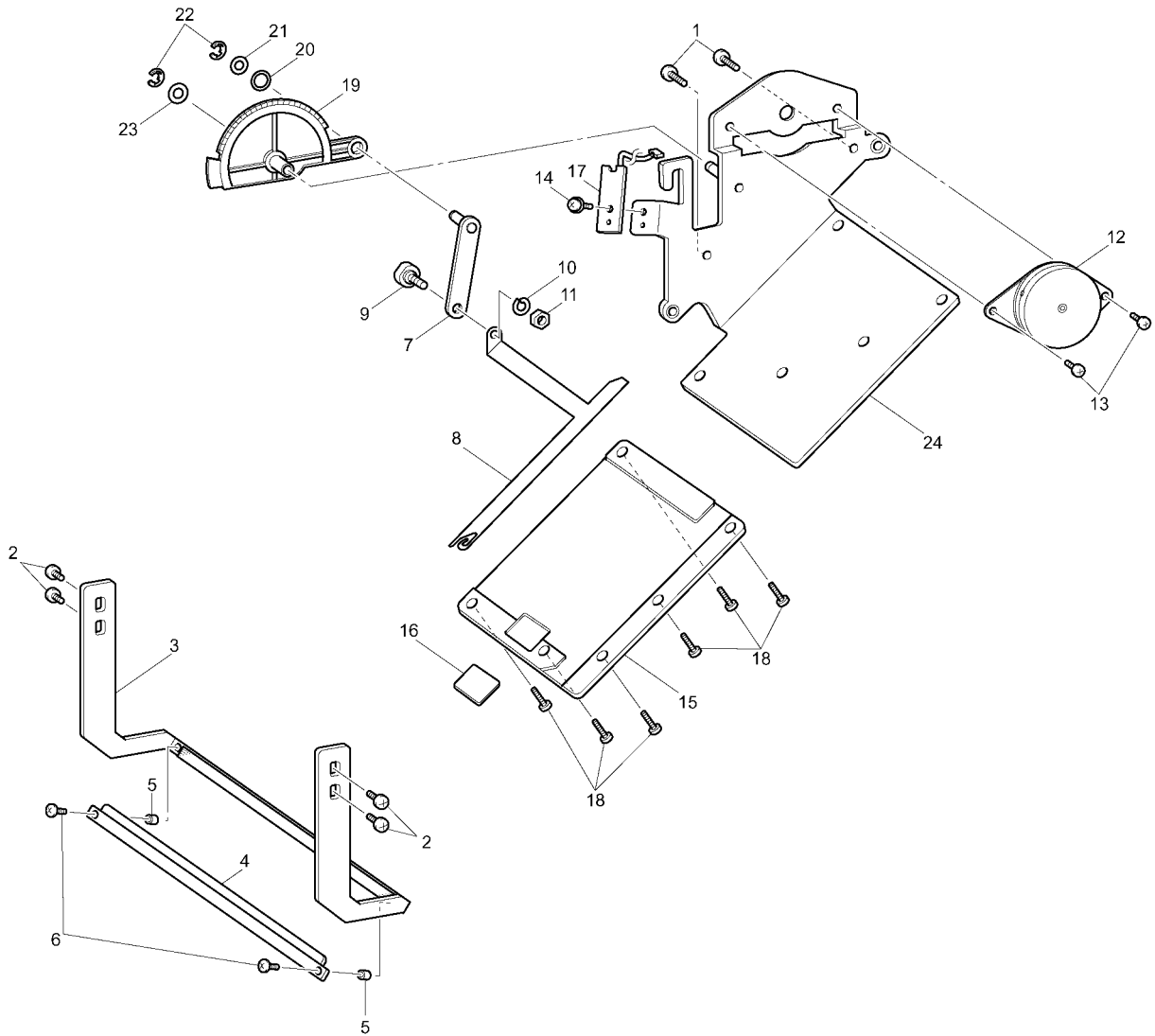
No.	CODE	NAME	REMARKS	No.	CODE	NAME	REMARKS
1	060400616	SCREW, BIND M4X6		45	XC6908151	MOVABLE KNIFE SUPPLY ASSY	060201
2	048020346	RETAINING RING, E2		46	S32475001	SCREW, M4	
3	XC5871051	CUTTER LINK ASSY		47	XC5879051	ROTARY HOOK STOPPER	
4	060300416	SCREW, BIND M3X4		48	018300636	BOLT, SOCKET M3X6	
5	XC5874051	BED COVER					
6	XE1142001	NEEDLE PLATE	1000004315				
7	XC6404051	SCREW,FLAT M4					
8	062400816	SCREW, PAN M4X8					
9	XC5984051	FELT					
10	XC5858051	CT MOTOR BRACKET ASSY					
11	XC5863051	CUTTER BRACKET					
12	XC5864051	COLLAR					
13	000401605	SCREW, BIND M4X16					
14	XC5865051	INITIAL GEAR					
15	048020346	RETAINING RING, E2					
16	XC5866051	LEVER GEAR					
17	XC6184051	ASSY: TH CUTTER MOTOR					
18	060300416	SCREW, BIND M3X4					
19	XC6152051	ASSY: TH CUTTER SENSOR					
20	052300606	SCREW, PAN (S/P WASHER) M3X6					
21	XC5868051	LEVER LINK ASSY					
22	048040346	RETAINING RING, E4					
23	XC6187051	ASSY: PICKER MOTOR					
24	026030136	WASHER, PLAIN S 3					
25	048020346	RETAINING RING, E2					
26	060300416	SCREW, BIND M3X4					
27	XC5510051	PK MOTOR BRACKET ASSY					
28	XC5513151	RACK ASSY					
29	XC6161051	ASSY: PICKER SENSOR					
30	052300606	SCREW, PAN (S/P WASHER) M3X6					
31	XC5856051	PICKER LINK					
32	026030136	WASHER, PLAIN S 3					
33	048020346	RETAINING RING, E2					
34	XC5849151	PICKER ASSY					
35	XC5853051	PICKER SPRING					
36	XC5854051	PICKER BRACKET					
37	048020346	RETAINING RING, E2					
38	XC6634151	PICKER HOLDER					
39	018300532	BOLT, SOCKET M3X5					
40	XC5876051	NEEDLE PLATE BASE ASSY					
41	XC6230051	THREAD HOLDING PLATE					
42	XC5881051	SCREW					
43	XC5882001	FIXED KNIFE					
44	S32476001	COLLAR, M-KNIFE					

# (10) THREAD CUTTING MECHANISM





# (11) THREAD WIPER MECHANISM



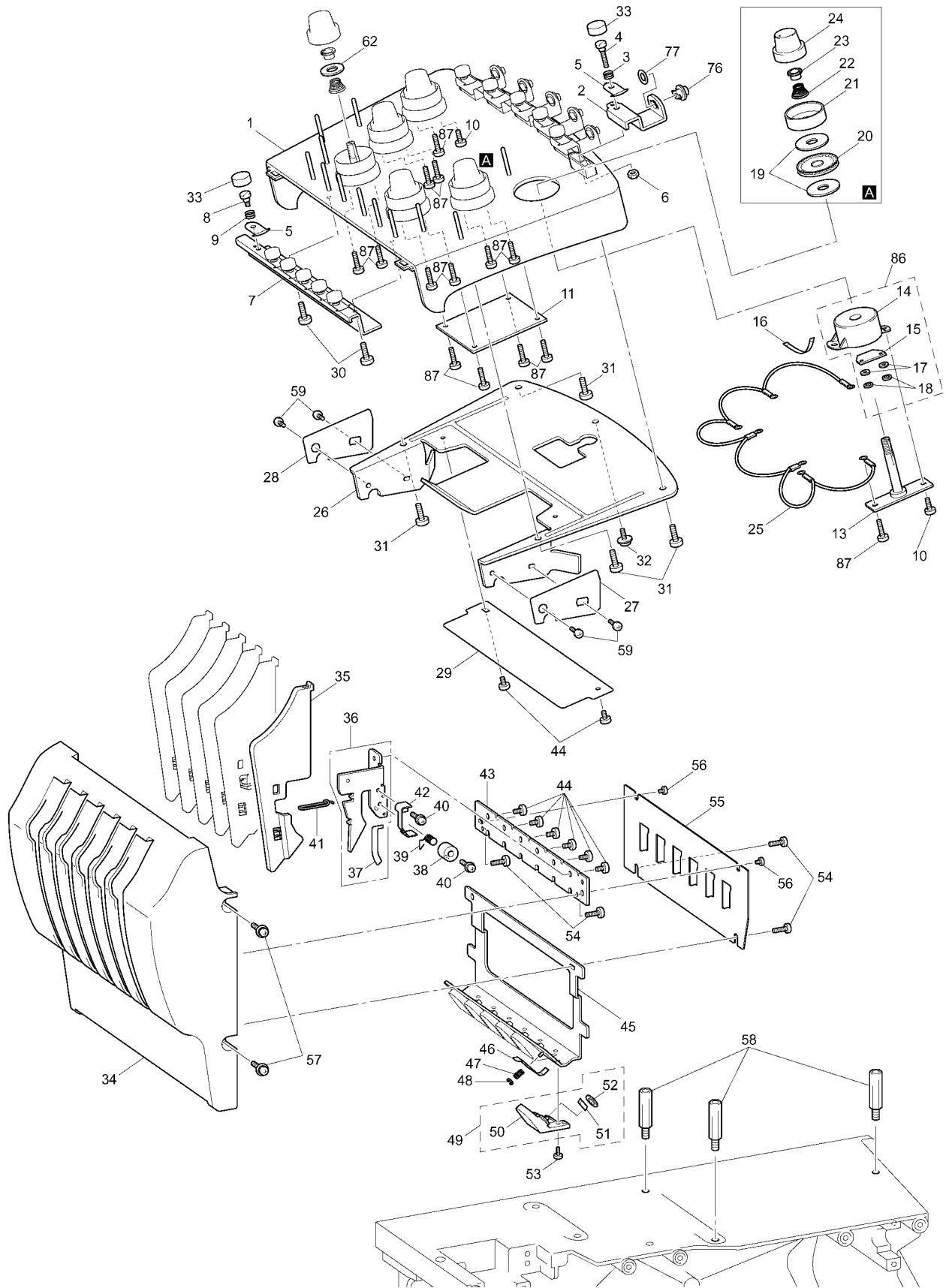
## (12) UPPER THREAD GUIDE MECHANISM

No.	CODE	NAME	REMARKS	No.	CODE	NAME	REMARKS
1	XC6350251	TENSION BASE	1000002253	45	XE3394001	THREAD HOLDER BASE ASSY	1000006015
2	XC5905051	UPPER THREAD EYELET BASE		46	XC5947051	NEEDLE THREAD PRESSER PLATE	
3	XC6231051	THREAD GUIDE COMPRESSION		47	XC5962051	SPRING	
4	XC5909051	THREAD GUIDE TENSION SCREW		48	048015346	RETAINING RING, E1.5	
5	XC5907051	THREAD GUIDE TENSION PLATE		49	XC5967051	CUTTER COVER ASSY	
6	021300205	NUT, 2 M3		50	XC5972051	CUTTER COVER	
7	XC5908051	INNER THREAD EYELET BASE		51	X80321001	NT LOWER THREAD CUTTER	
8	XC5906051	THREAD GUIDE TENSION AXIS		52	138384051	RETAINING RING,CS5	
9	XZ0198051	BOBBIN WINDER COMPRESSION		53	0A5300606	SCREW, PAN (S/P WASHER) M3X6	
10	136681051	TAPTITE, BIND B M3X8		54	085311016	TAPTITE, BIND B M3X10	
11	XC6164051	ASSY: HEAD PCB		55	XC5934051	THREAD GUIDE BACK COVER	
12	<del>138433051</del>	<del>TAPTITE,PAN B M3X6</del>	1000002253	56	060260316	SCREW, BIND M2.6X3	
13	XC5911051	THREAD TENSION BRACKET		57	0A5401006	SCREW, PAN (S/P WASHE) M4X10	
14	XC5914151	THREAD QUANTITY SENSOR COVER		58	XC5935051	STUD	
15	XC6167051	ASSY: TH SENSOR		59	060400816	SCREW, BIND M4X8	
16	XC6192051	FFC:SML2CD-H		60	XC5812051	PIPE BUSH A	
17	XC5880051	RUBBER WASHER		61	081005070	O RING, P5	
18	138334051	RETAINING RING,CS2		62	XC7254051	WASHER	
19	S36299001	TENSION DISC FELT		63	XC5938051	SPOOL STAND FRAME	
20	XC7602000	ROTARY DISC ASSY B		64	XC5939051	SPOOL STAND STUD	
21	XC5915051	TENSION DISC PRESSER		65	XC5943051	STUD SCREW	
22	XC6232051	TENSION SPRING		66	XC5945051	SPRING WASHER	
23	S30564000	WASHER		67	XC5946051	SPOOL STAND LINK	
24	XC5916051	TENSION NUT		68	XA9677051	WASHER	
25	XC6199051	LEAD WIRE ASSY:HEAD EARTH		69	048080346	RETAINING RING, E8	
26	XC5917051	TENSION BASE BRACKET		70	XC5936051	SPOOL STAND BASE	
27	XC5883051	COLOR SHEET R		71	XC5948051	SPACER	
28	XC5895051	COLOR SHEET L		72	XC5553051	THUMB BOLT M4 L	
29	XC6202051	BRACKET COVER		73	XC5949051	SPOOL PIN	
30	085410816	TAPTITE, BIND B M4X8		74	XC5950051	SPONGE	
31	085411416	TAPTITE, BIND B M4X14		75	XC5830051	ANTENNA E	
32	052300606	SCREW, PAN (S/P WASHER) M3X6		76	XC5812051	PIPE BUSH A	
33	XC5919051	TENSION AXIS CAP		77	081005070	O RING, P5	
34	XC5920052	THREAD TAKE-UP LEVER COVER		78	048050346	RETAINING RING, E5	
35	XC6001051	THREAD GUIDE COVER		79	XC6238051	ANTENNA SHAFT	
36	XC5921051	THREAD TAKE-UP BRACKET ASSY		80	XC6237051	ANTENNA D	
37	XC5925051	SPRING TAPE		81	XC5951051	ANTENNA C ASSY	
38	XC6463051	THREAD CATCHING SPRING CASE		82	060400616	SCREW, BIND M4X6	
39	XC5926051	THREAD TAKE-UP SPRING		83	XC6236051	ANTENNA B	
40	0A4300606	SCREW, PAN (S/P WASHER) M3X6		84	XC6235051	ANTENNA A	
41	XC5929051	THREAD GUIDE WIRE		85	060300616	SCREW, BIND M3X6	
42	XC6234051	THREAD GUARD		86	XD0177051	TH SENSOR SUPPLY ASSY	
43	XC5930051	THREAD TENSION BRACKET BASE		87	X59629051	TAPTITE, BIND B M3X10	1000002253
44	060300416	SCREW, BIND M3X4					

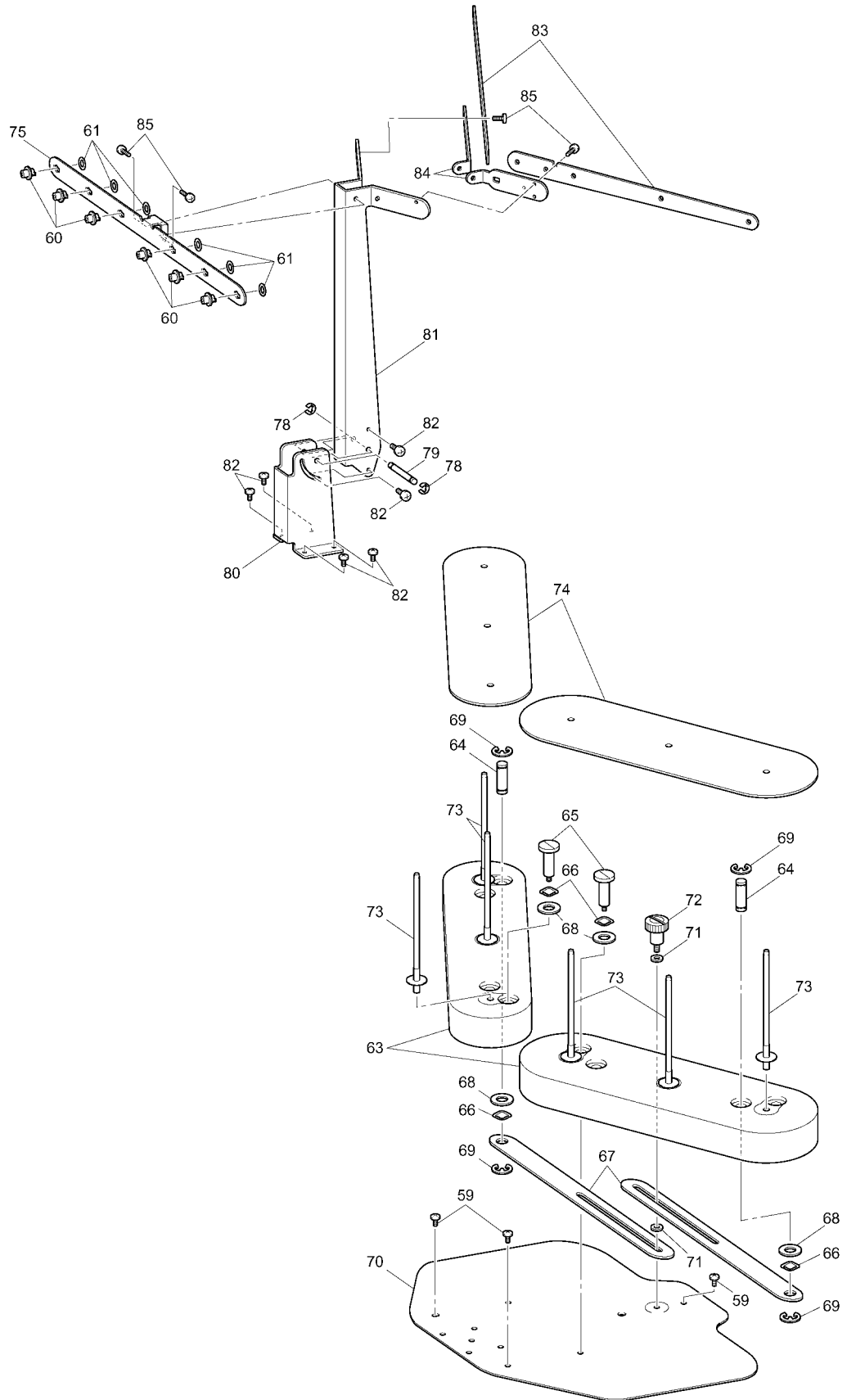




# (12) UPPER THREAD GUIDE MECHANISM



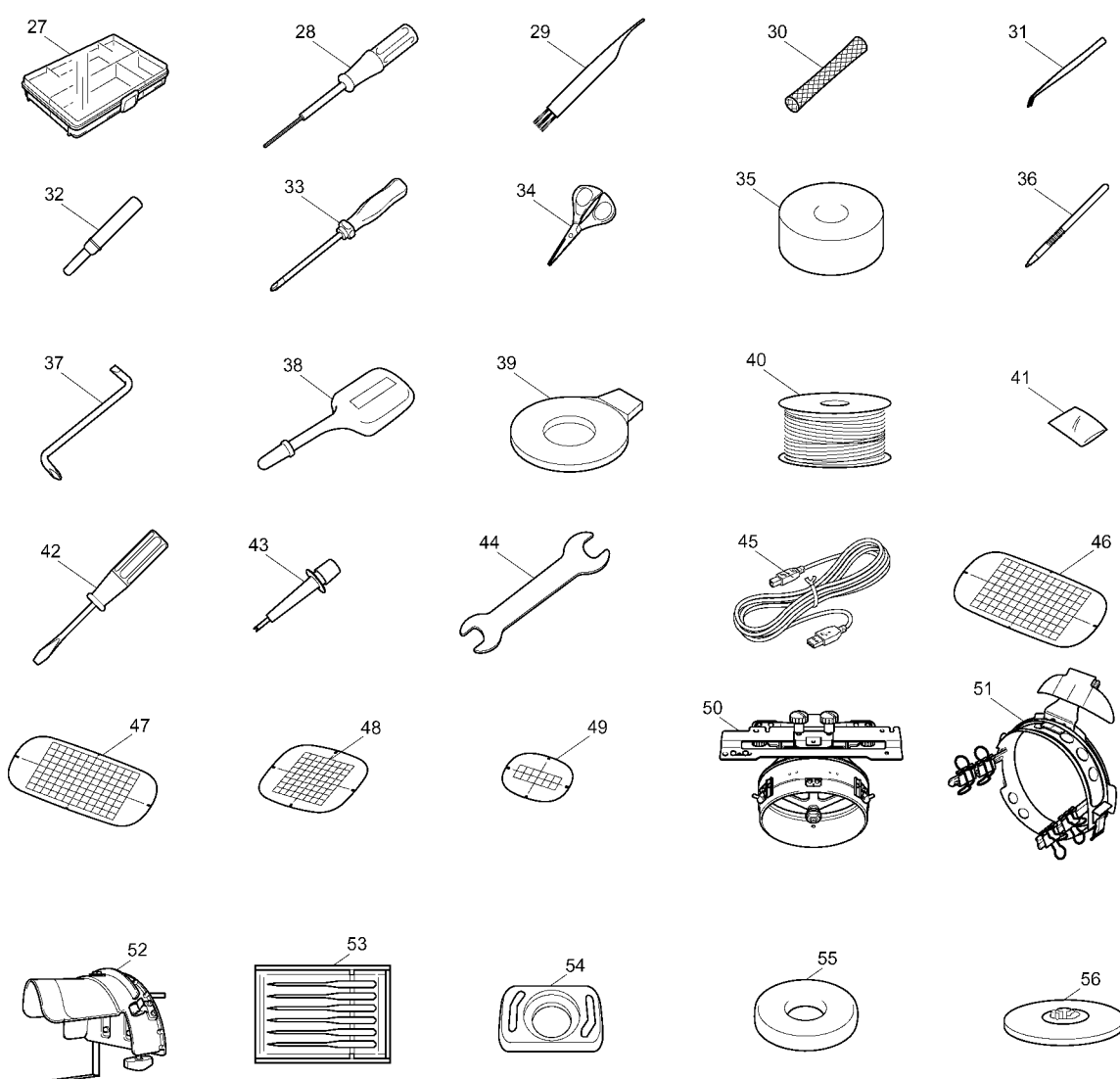
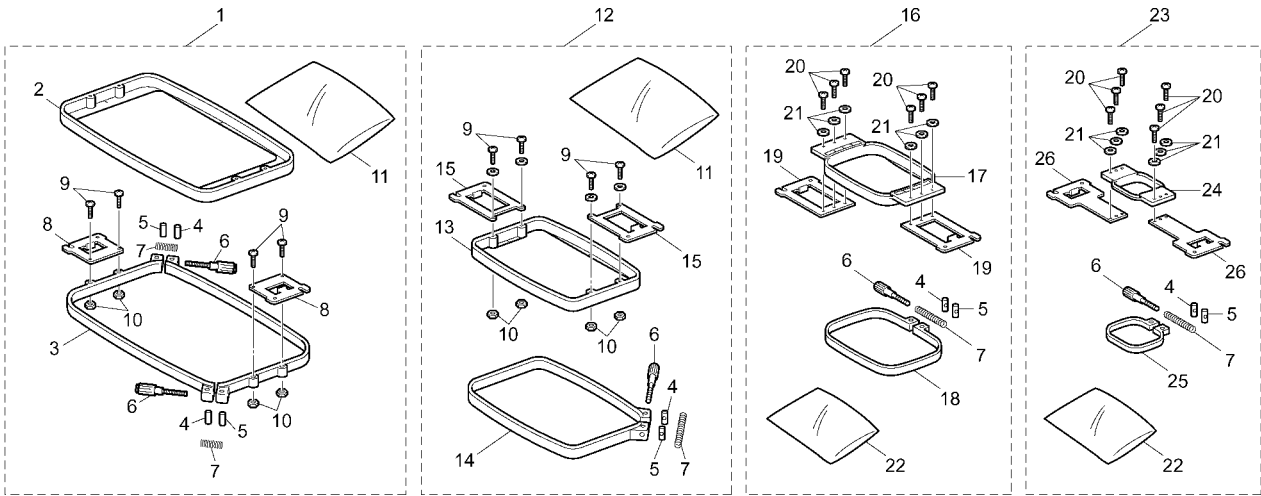
## (12) UPPER THREAD GUIDE MECHANISM



## (13) ATTACHMENTS

No.	CODE	NAME	REMARKS	No.	CODE	NAME	REMARKS
1	XC5954051	TUBULAR FRAME 30X20 ASSY		43	XC4957051	NEEDLE EXCHANGE TOOL	
	XE2088001	SQUARE FRAME 30X20 ASSY	ADD	44	XC6159051	WRENCH 13X10	
2	XC5955051	TUBULAR FRAME 30X20 INNER		45	XD1851051	USB I/F CORE CABLE 3M	
3	XC5956151	TUBULAR FRAME 30X20 OUTER	1000001855	46	XC5704051	EMBROIDERY SHEET 30X20 ASSY	
4	S32798001	COLLAR		47	XC5721051	EMBROIDERY SHEET 18X13 ASSY	
5	S32799001	NUT, M4		48	XC5759051	EMBROIDERY SHEET 10X10 ASSY	
6	XC5957051	SCREW, M4		49	XC5761051	EMBROIDERY SHEET 06X04 ASSY	
7	S36043000	SPRING, COMPRESSION 5.3X47.7		50	XC5533051	CAP DRIVER ASSY (PR600-2C)	
8	XC5958051	HOLDER 30X20			XE2268001	CAP DRIVER C ASSY (PR620C)	ADD
	XE2090001	HOLDER 30X20	ADD	51	XC7477051	CAP FRAME B (PR600-2C)	
9	062401416	SCREW, PAN M4X14			XE2265001	CAP FRAME C (PR620C)	ADD
10	021400206	NUT, 2 M4		52	XC5566151	SETTING FRAME GAUGE ASSY (PR600-2C, PR620C)	
11	X60224051	BAG,350X700H		53	XC6469001	NEEDLE ASSEMBLY	
12	XC5959051	TUBULAR FRAME 18X13 ASSY		54	XC6499151	NEEDLE PLATE COVER	
13	XC5960051	TUBULAR FRAME 18X13 INNER		55	XC7134051	SPOOL FELT	
14	XC5961051	TUBULAR FRAME 18X13 OUTER		56	130012054	SPOOL PRESSER A	
15	XC5963051	HOLDER 18X13					
16	XC5964051	TUBULAR FRAME 10X10 ASSY			XA8580051	BAG, 80X110	060203
17	XC5965051	TUBULAR FRAME 10X10 INNER			XC2222051	BAG 180X300	1000005080
18	XC5966051	TUBULAR FRAME 10X10 OUTER					
19	XC5968051	HOLDER 10X10					
20	060300516	SCREW, BIND M3X5					
21	025030236	WASHER, PLAIN M 3					
22	XZ0197051	PE BAG,180X470H					
23	XC5969051	TUBULAR FRAME 06X04 ASSY					
24	XC5970051	TUBULAR FRAME 06X04 INNER					
25	XC5971051	TUBULAR FRAME 06X04 OUTER					
26	XC5973051	HOLDER 06X04					
27	XC6482051	ACCESSORY CASE					
28	XC5159051	HEXAGONAL DRIVER,1.5					
29	X59476051	CLEANING BRUSH					
30	S34455000	NET, 160L					
31	XC6542051	PINCETTE					
32	X54243051	SEAM RIPPER					
33	XC6543051	SCREW DRIVER, 2X100					
34	XC1807121	SCISSORS					
35	XC5974151	BOBBIN TENSION GAUGE					
36	XA9940051	TOUCH PEN					
37	XC6545051	Z-TYPE SCREW-DRIVER, +-					
38	XZ0206051	OILER B ASSY					
39	XC1074051	NEEDLE PLATE FIXING METAL					
40	XC6368051	BOBBIN					
41	X60838051	BAG,70X110C					
42	X55468051	SCREW DRIVER S					

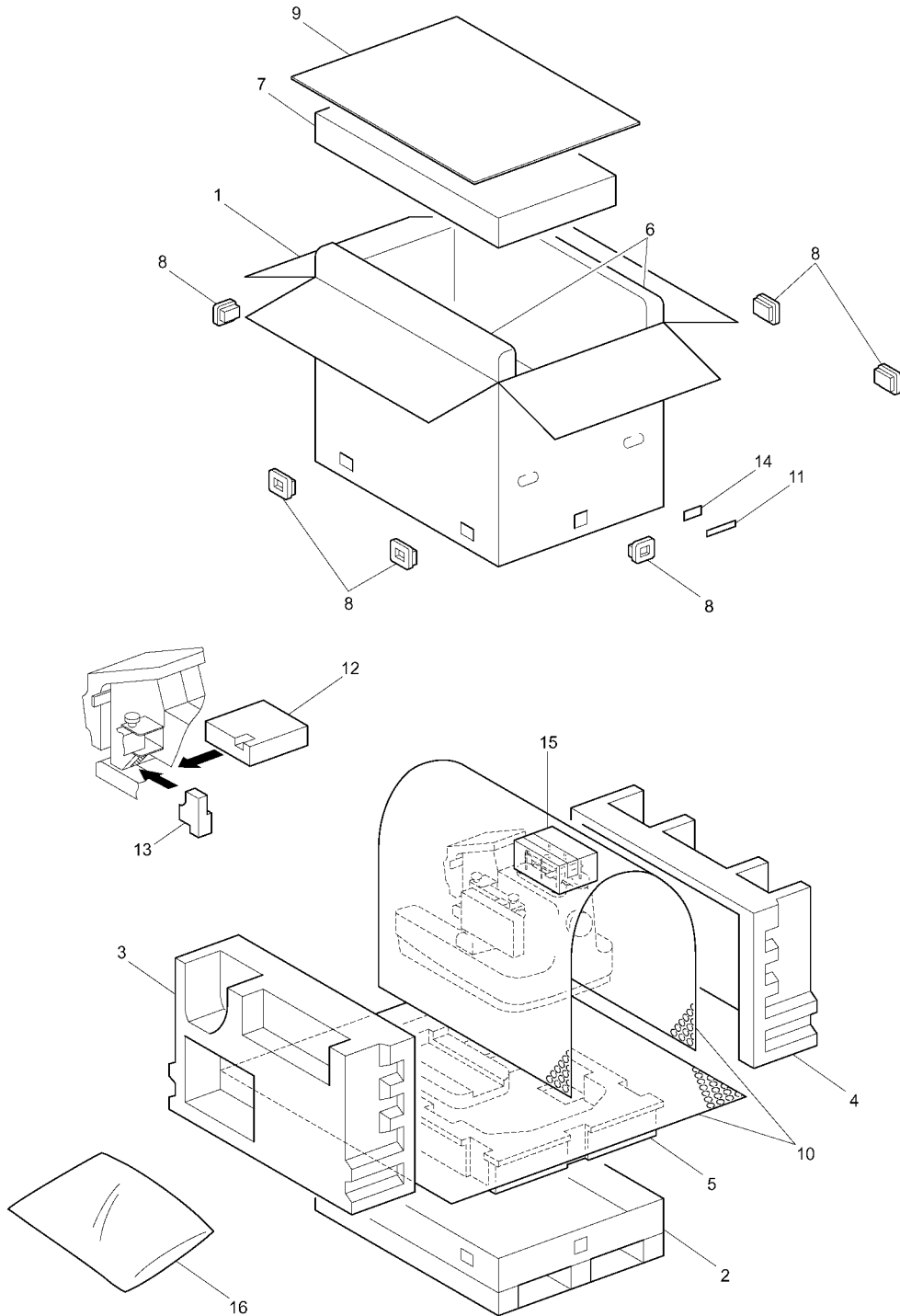
# (13) ATTACHMENTS



## (14) PACKING MATERIALS / PRINTED MATTER

No.	CODE	NAME	REMARKS	No.	CODE	NAME	REMARKS
PACKING MATERIALS				PRINTED MATTER			
1	XD0688054	CARTON TOP (PR600-2: OTHER)	1000001774		XD1133051	INSTRUCTION MANUAL.ENGLISH (PR600-2)	
	XE1347001	CARTON TOP GOST ASSY (PR600-2: EU)	060128		XE2710001	INSTRUCTION MANUAL.ENGLISH (PR620)	ADD
	XE1346001	CARTON TOP CE ASSY (PR600-2: RUS)	060128		XD1134051	INSTRUCTION MANUAL.GERMANY (PR600-2)	
	XD0688055	CARTON TOP (PR620: OTHER)	ADD		XE2711001	INSTRUCTION MANUAL.GERMANY (PR620)	ADD
	XD0688057	CARTON TOP (PR620: RUS)	ADD		XD1137051	INSTRUCTION MANUAL.ITALY (PR600-2)	
2	XC6453051	CARTON BOTTOM ASSY			XE2714001	INSTRUCTION MANUAL.ITALY (PR620)	ADD
3	XC5551150	POLYSTYRENE FOAM PAD R			XD1143051	INSTRUCTION MANUAL.SPANISH (PR600-2)	
4	XC5552250	POLYSTYRENE FOAM PAD L	1000002161		XE2716001	INSTRUCTION MANUAL.SPANISH (PR620)	ADD
5	XC5797050	POLYSTYRENE FOAM PAD BOTTOM			XD1135051	INSTRUCTION MANUAL.FRANCE (PR600-2)	
6	XC5825050	POLYSTYRENE FOAM PAD SIDE			XE2712001	INSTRUCTION MANUAL.FRANCE (PR620)	ADD
7	XC6452050	POLYSTYRENE FOAM PAD TOP			XD1136051	INSTRUCTION MANUAL.NETHERLANDS (PR600-2)	
8	XC5848051	JOINT			XE2713001	INSTRUCTION MANUAL.NETHERLANDS (PR620)	ADD
9	XC5867050	PAD D			XE2200001	INSTRUCTION BOOK RUS (PR600-2)	1000001307
10	XC6459051	SHEET,1400X2000			XE2717001	INSTRUCTION MANUAL.RUS (PR620)	ADD
11	S52584001	MERCURY WARNING LABEL 16X92 C2 (U.S.A.)			XE2296001	INSTRUCTION MANUAL.CHINA (PR620)	1000006228
12	XC6585150	POLYSTYRENE FOAM PAD FOOT			XE4531001	INSTRUCTION BOOK BR (BRA)	1000007560
13	XC7140050	HOOK SUPPORT SF			XC6555051	WARRANTY CARD (U.S.A.)	
14	X57847051	PLUG LABEL (U.K.)			XD0755051	WARRANTY CARD (CANADA)	
15	XC7154050	ANTENNA PROTECT PAD			UH3851001	WARRANTY CARD EUR	
16	X60224051	BAG,350X700H			XE2005001	EEU WARRANTY CARD	1000000462
	XC6557051	C STICKER (PR600-2C, PR620C)			XE4547001	WARRANTY CARD BR HEM (BRA)	1000007560
	XD0229051	EEU SPEC DESCRIPTION STICKER			XD0754051	PR-600 QUICK REFERENCE GUIDE (PR600-2)	
	XD0187051	EEU STICKER			XE2728001	PR620 QUICK REFERENCE GUIDE (PR620)	ADD
	XC5932050	CARTON PAD D			XE2295001	PR620 QUICK REFERENCE GUIDE.CH (PR620)	1000006228
					XE4772001	QUICK REFERENCE GUIDE (EEU)	1000007823
					XC7251051	INSERTION FOR CAP FRAME	
					XC7670051	INSERTION FOR CAP NOTES	
					XD0256151	INSERTION WEEE	1000002031
					XE1348001	V2 INSERTION (PR600-2)	060153
					XE2260001	V2 INSERTION (PR620)	1000008124
					XE2748001	WARNING INSERTION.ENGLISH (PR620)	1000008124
					XE2749001	WARNING INSERTION.GERMANY (PR620)	ADD
					XE2752001	WARNING INSERTION.ITALY (PR620)	ADD
					XE2753001	WARNING INSERTION.SPANISH (PR620)	ADD
					XE2750001	WARNING INSERTION.FRANCE (PR620)	ADD
					XE2751001	WARNING INSERTION.NETHERLANDS (PR620)	ADD
					XE2754001	WARNING INSERTION.RUS (PR620)	ADD
					XE2089001	MAINTENANCE INSERTION (EXCEPT NEU)	1000004930
					XE2297001	MAINTENANCE INSERTION. EUR (NEU)	1000005095
					XE2746001	MAINTENANCE INSERTION.CHINA (PR620)	1000006228
					XE3541001	INSERTION CD (NEU)	1000004842
					XE4724001	INSTRUCTION CD EEU (EEU)	1000007823

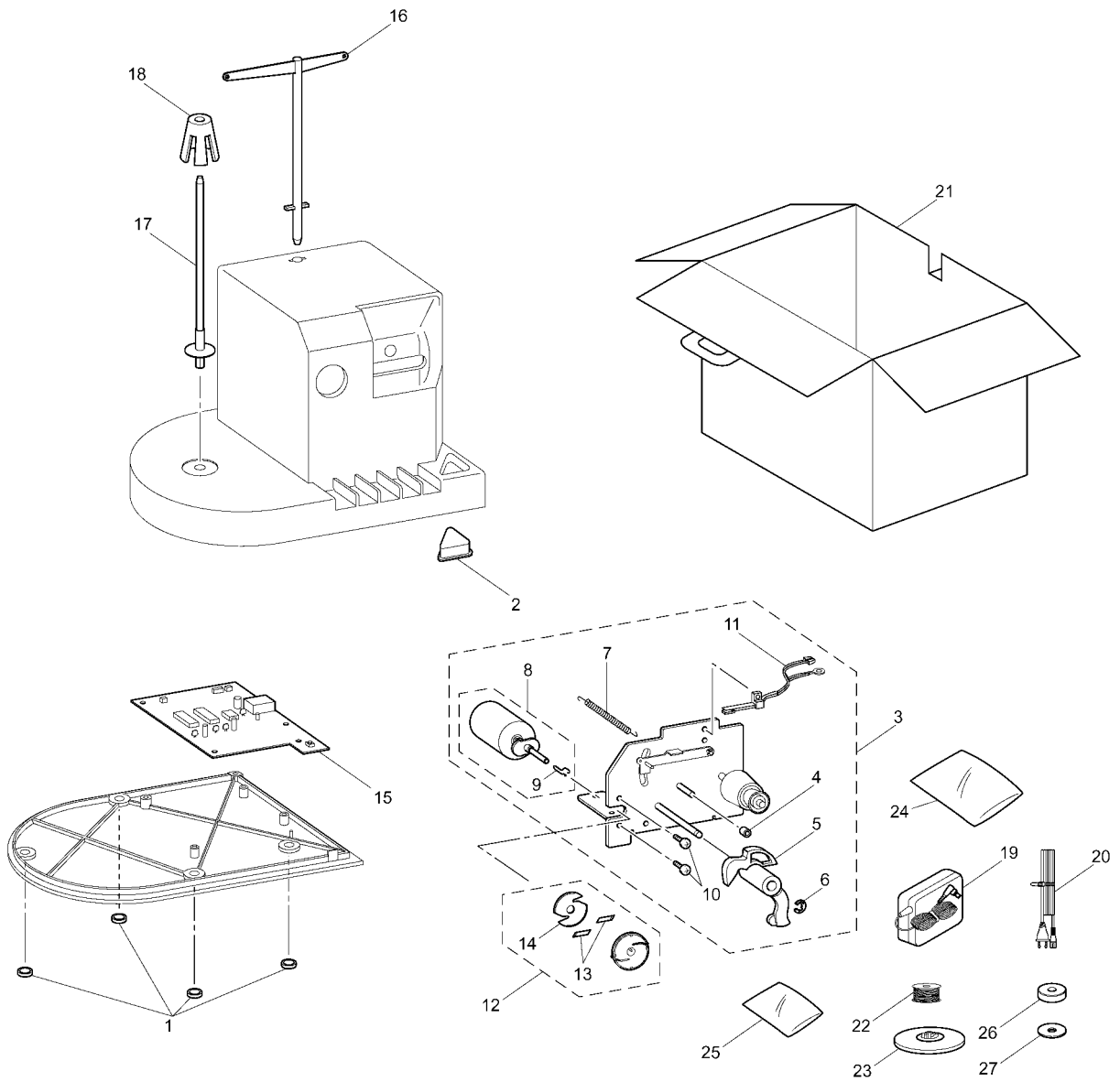
# (14) PACKING MATERIALS / PRINTED MATTER



## (15) ACCESSORY PARTS

No.	CODE	NAME	REMARKS
BOBBIN WINDER			
(PR600-2C, PR620, 620C:CHI, IRL, GER, FRA, SPA, ITA, EUR, EEU, RUS, NEU, SIN, CHN, AUS)			
1	X59853050	RUBBER CUSHION	
2	XC6602051	BOBBIN WINDER SS BUTTON	
3	XC6611051	BOBBIN WINDER HOLDER UNIT	
4	XC6607051	RUBBER	
5	XC6608051	THREAD GUIDE LEVER	
6	048040346	RETAINING RING, E4	
7	XA9545051	SPRING	
8	XC6633051	BOBBIN WINDER MOTOR COMPLETE	
9	XC6628051	BOBBIN WINDER SHAFT SPRING	
10	060300416	SCREW, BIND M3X4	
11	XC7172051	ASSY,BW SWITCH	
12	XA5876051	BOBBIN BASE ASSY	
13	X80321001	NT LOWER THREAD CUTTER	
14	XA5877051	BOBBIN THREAD CUTTER HOLDER	
15	XC6639051	ASSY:BW PCB	
16	XC6644151	THREAD GUIDE ROD ASSY	1000003771
17	XC5949051	SPOOL PIN	
18	XA0679050	SPOOL CUSHION	
19	XE1610001	AC ADAPTER SA115B-24U	060190
	XD0318051	AC ADAPTER SUPPLY ASSY EU (EUROPE)	
20	XA0070151	POWER SUPPLY CORD (OTHER)	
	XC9548051	POWER SUPPLY CORD SAA LF (AUS)	
	X59354151	POWER SUPPLY CORD -BS (IRL)	ADD
	XA5820051	MAIN POWER CODE (CHN)	ADD
21	XC6630051	BOBBIN WINDER CARTON	
22	100376053	BOBBIN	
23	130012054	SPOOL PRESSER A	
24	XC5720051	BAG,260X440	
25	X57367051	BAG,135X150	
26	XC5974151	BOBBIN TENSION GAUGE	
27	XC6631051	BOBBIN TENSION GAUGE 45G	
	XD0256151	INSERTION WEEE (Except AUS)	
	XD1954051	EEE CARTON LABEL (Except AUS)	

# (15) ACCESSORY PARTS

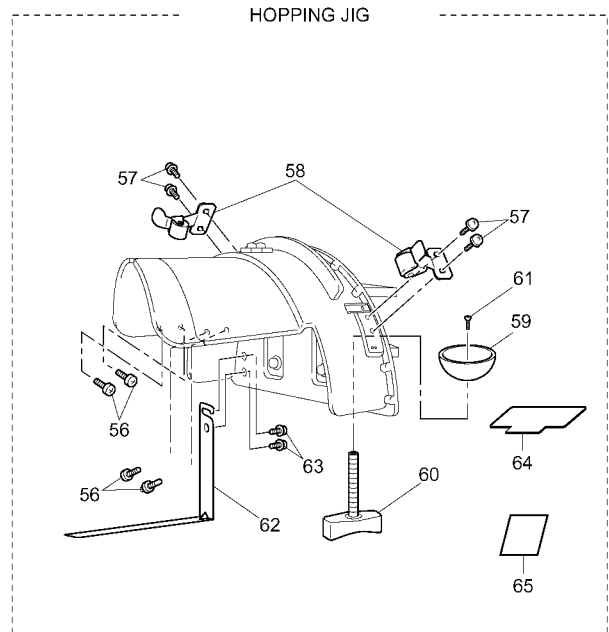
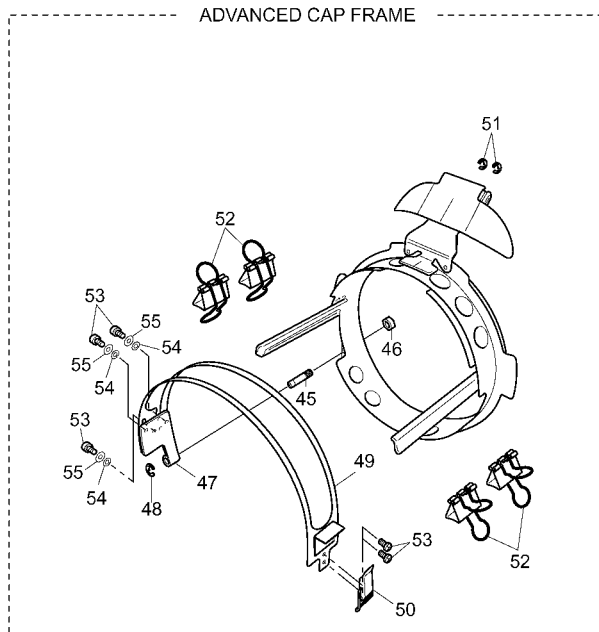
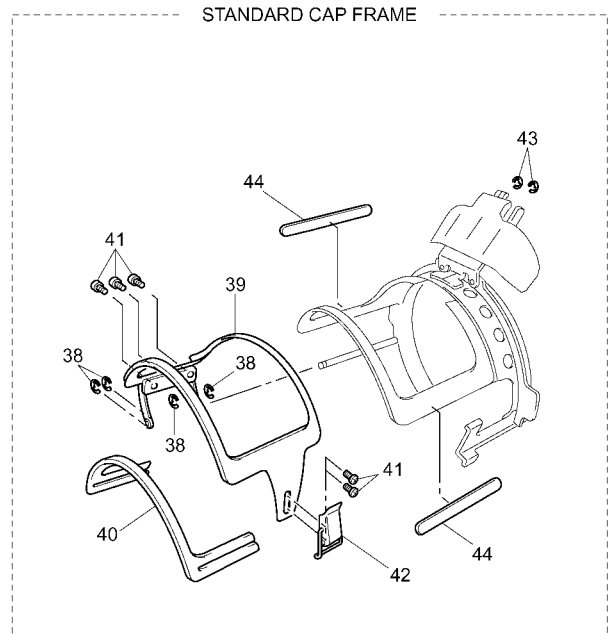
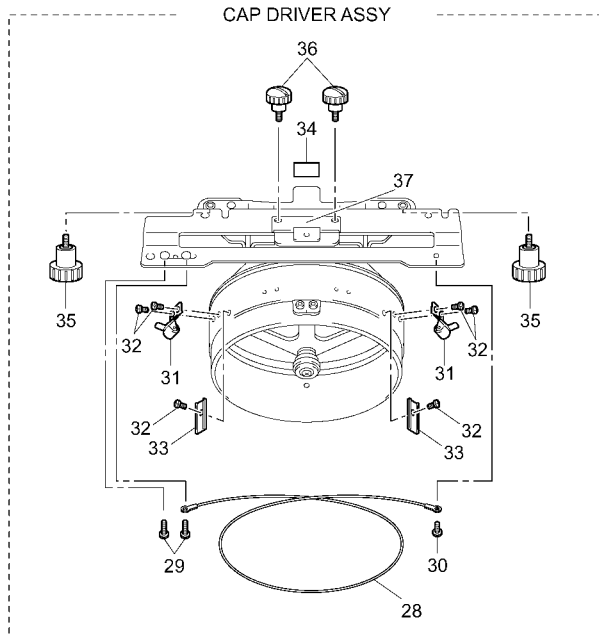




## (15) ACCESSORY PARTS (PR600-2)

No.	CODE	NAME	REMARKS
CAP DRIVER ASSY			
28	XC5542051	WIRE	
29	060400413	SCREW, BIND M4X4	
30	0A4401006	SCREW, PAN (S/P WASHER) M4X10	1000005053
31	XC5546051	ROLLER BASE ASSY	
32	0A5300606	SCREW, PAN (S/P WASHER) M3X6	1000005053
33	XC5548051	GUIDE PLATE	
34	XC5550051	SHEET	
35	XC5553051	THUMB BOLT M4 L	
36	XC5817051	SCREW, KNOB M4S	
37	XC5574051	STOPPER	
STANDARD CAP FRAME			
38	048050346	RETAINING RING, E5	
39	XC5561051	FRAME COVER	
40	XC5562051	RUBBER	
41	060300516	SCREW, BIND M3X5	
42	S32897000	SNAP LOCK	
43	048025346	RETAINING RING, E2.5	
44	XC6974051	HOLD TAPE	
ADVANCED CAP FRAME			
45	XC7485051	PIN	
46	021400203	NUT, 2 M4	
47	XC7484051	HINGE	
48	048050346	RETAINING RING, E5	
49	XC7486051	FRAME COVER B	
50	S32897000	SNAP LOCK	
51	048025346	RETAINING RING, E2.5	
52	S39460100	BINDER CLIP	
53	060300513	SCREW, BIND M3X5	
54	026030233	WASHER, PLAIN M 3	
55	028030243	WASHER, SPRING 2-3	
HOPPING JIG			
56	0A5400606	SCREW, PAN (S/P WASHER) M4X6	1000004867
57	0A5300806	SCREW, PAN (S/P WASHER) M3X8	
58	XC7235051	ROLLER BASE B ASSY	
59	XC5576051	WASHER	
60	XC5577051	THUMB BOLT M6	
61	004261216	SCREW, FLAT (M2.6)X12	
62	XC6227051	FRAME COVER STOPPER	
63	062400616	SCREW, PAN M4X6	
64	XC7150051	SHEET	
65	XC8943151	CAP FRAME USER'S GUIDE, ENG	

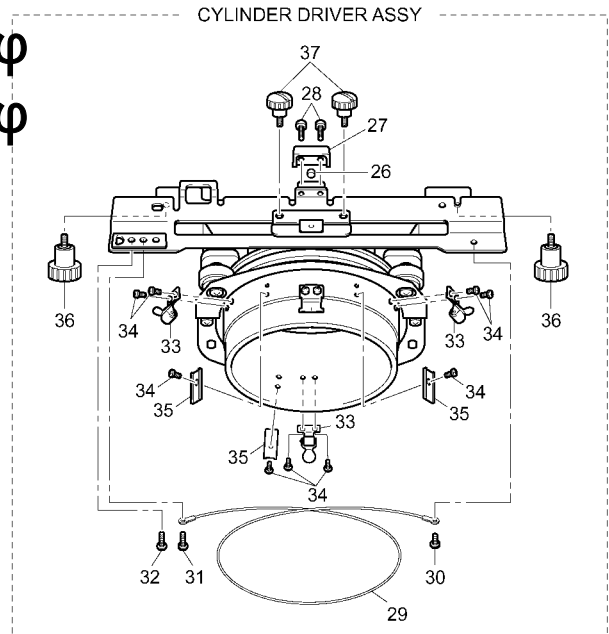
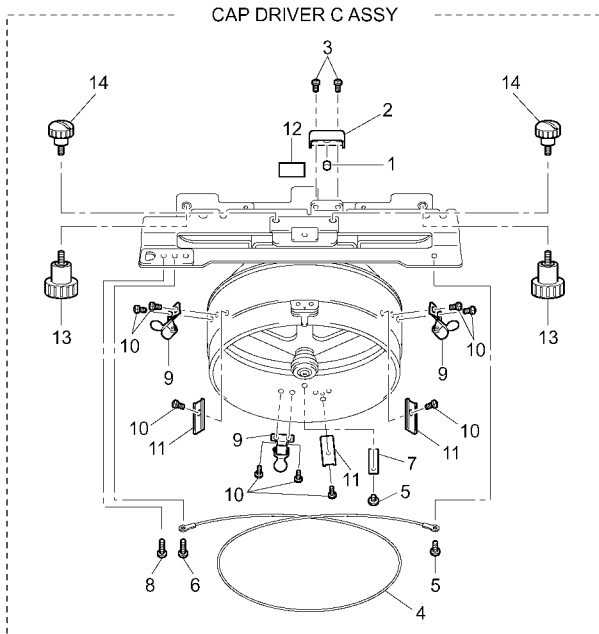
## (15) ACCESSORY PARTS (PR600-2)



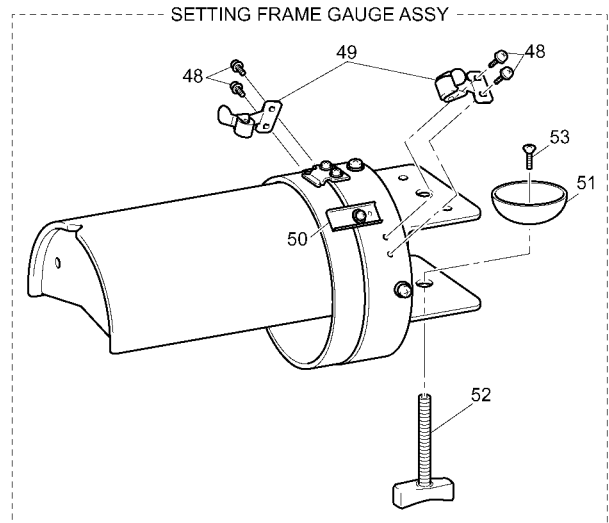
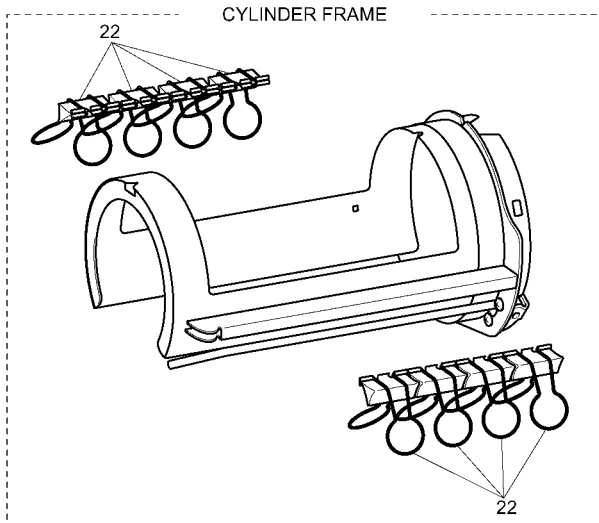
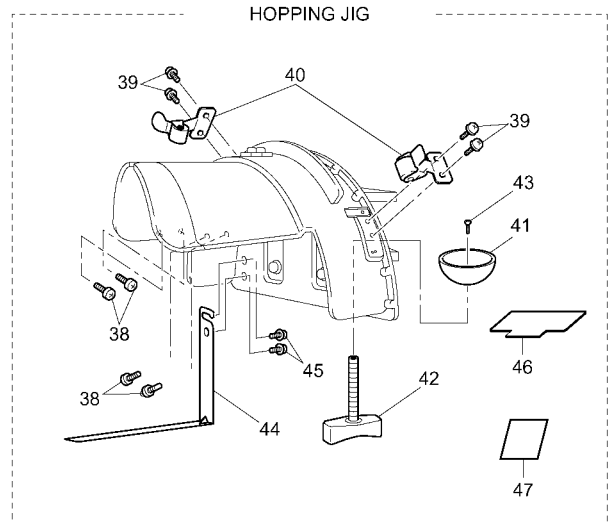
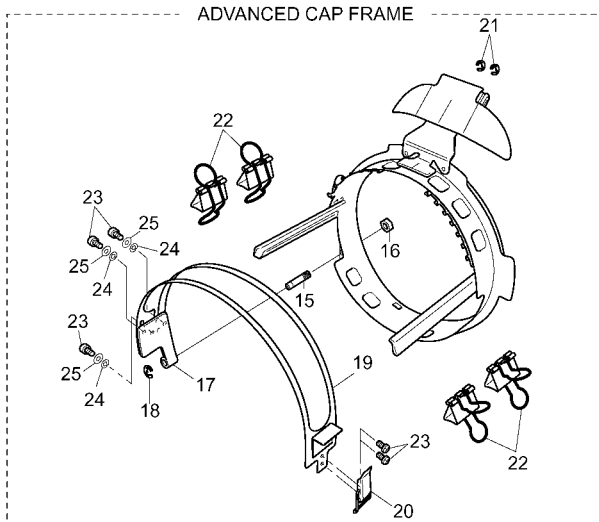
## (15) ACCESSORY PARTS (PR620)

No.	CODE	NAME	REMARKS	No.	CODE	NAME	REMARKS
CAP DRIVER C ASSY				HOPPING JIG			
1	XE2270001	MAGNET		38	0A5400606	SCREW, PAN (S/P WASHER) M4X6	1000004867
2	XE2271001	MAGNET HOLDER		39	0A5300806	SCREW, PAN (S/P WASHER) M3X8	
3	060300613	SCREW BIND M3X6		40	XC7235051	ROLLER BASE B ASSY	
4	XC5542051	WIRE		41	XC5576051	WASHER	
5	060400413	SCREW, BIND M4X4		42	XC5577051	THUMB BOLT M6	
6	0A4401006	SCREW, PAN (S/P WASHER) M4X10	1000005053	43	004261216	SCREW, FLAT (M2.6)X12	
7	XC5543051	WIRE PRESSER PLATE		44	XC6227051	FRAME COVER STOPPER	
8	0A4400806	SCREW, PAN (S/P WASHER) M4X8	1000005053	45	062400616	SCREW, PAN M4X6	
9	XC5546051	ROLLER BASE ASSY		46	XC7150051	SHEET	
10	0A5300606	SCREW, PAN (S/P WASHER) M3X6	1000005053	47	XC8943151	CAP FRAME USER'S GUIDE, ENG	
11	XC5548051	GUIDE PLATE			XE2894101	CAP FRAME USER'S GUIDE, GER4	
12	XC5550051	SHEET		SETTING FRAME GAUGE ASSY (PR620C)			
13	XC5553051	THUMB BOLT M4 L		48	0A5300606	SCREW, PAN (S/P WASHER) M3X6	1000005053
14	XC5817051	SCREW, KNOB M4S		49	XC5546051	ROLLER BASE ASSY	
CAP FRAME C / CYLINDER FRAME				50	XC5548051	GUIDE PLATE	
15	XC7485051	PIN		51	XC5576051	WASHER	
16	021400203	NUT, 2 M4		52	XC5577051	THUMB BOLT M6	
17	XC7484051	HINGE		53	004261216	SCREW, FLAT (M2.6)X12	
18	048050346	RETAINING RING, E5					
19	XC7486051	FRAME COVER B					
20	S32897000	SNAP LOCK					
21	048025346	RETAINING RING, E2.5					
22	S39460100	BINDER CLIP					
23	060300513	SCREW, BIND M3X5					
24	026030233	WASHER, PLAIN M 3					
25	028030243	WASHER, SPRING 2-3					
CYLINDER DRIVER ASSY							
26	XE2270001	MAGNET					
27	XE2271001	MAGNET HOLDER					
28	060300613	SCREW BIND M3X6					
29	XE2303001	WIRE A					
30	060400413	SCREW BIND M4X4					
31	0A4401006	SCREW PAN (S/P WASHER) M4X10	1000005053				
32	0A4400806	SCREW PAN(S/R WASHER) M4X8	1000005053				
33	XC5546051	ROLLER BASE ASSY					
34	060300413	SCREW BIND M3X4					
35	XC5548051	GUIDE PLATE					
36	XC5817051	SCREW, KNOB M4S					
37	XC5553051	THUMB BOLT M4 L					

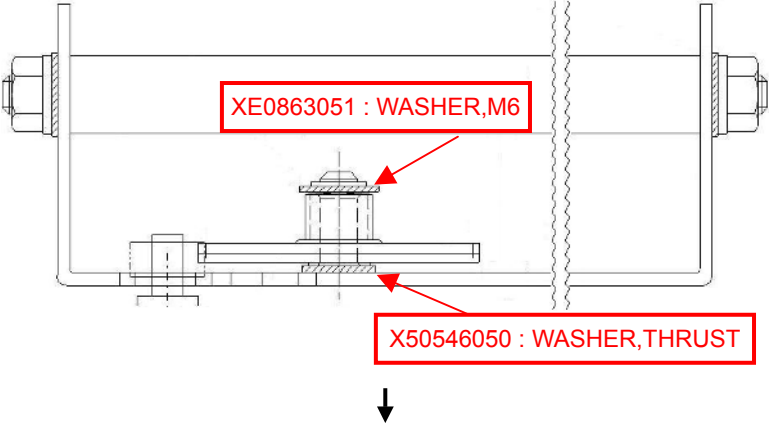
# (15) ACCESSORY PARTS (PR620)



φ  
φ



## Service Information

	MODEL	Contents for Change	PCI No.
1	PR600,PR600C,EMP6,PR600II,PR600IIC,BMP6	<p>Add the washer to the bottom of the shaft to keep a gap of the Y driving gear and the frame.</p>  <p>Replace the following parts with a set about the former product than the following enforcement models.            Enforcement Model : G6B114314~            Replace Part : XE0863051 WASHER,M6                              X50546050 WASHER,THRUST</p>	HsPn060060

**brother**®

PR600-2/PR600-2C/PR620/PR620C  
01A06HF884T03

11. 2005.  
06. 2008.