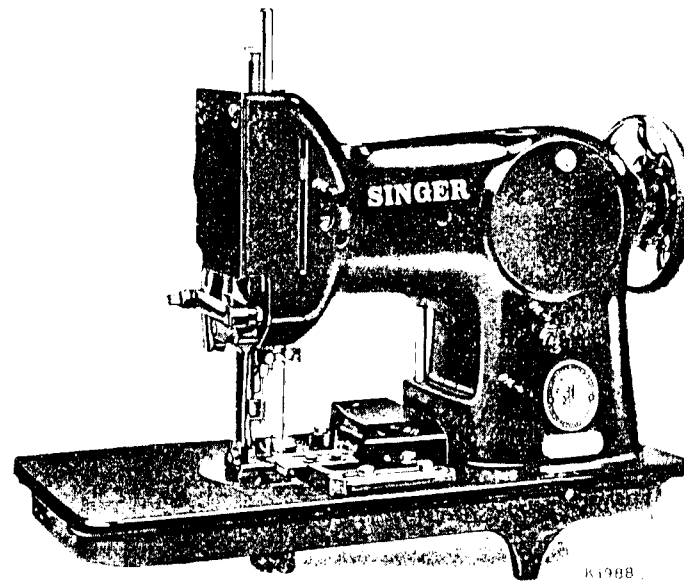


Form K5974
(Supersedes K5790)

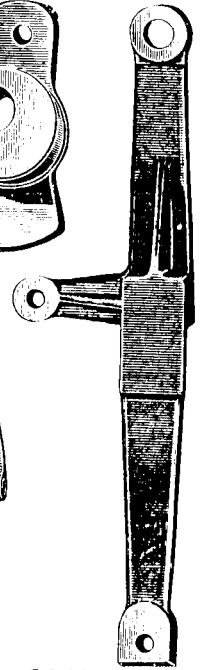
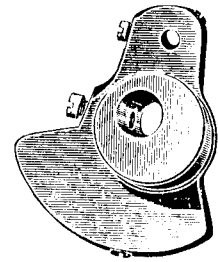
ILLUSTRATED
LIST OF PARTS
FOR
SINGER**
MACHINE No. 138K1



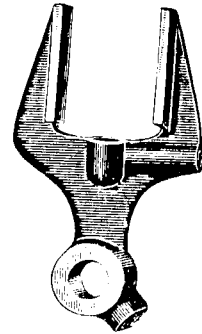
**A Trademark of THE SINGER MANUFACTURING COMPANY

99051

99007



99022

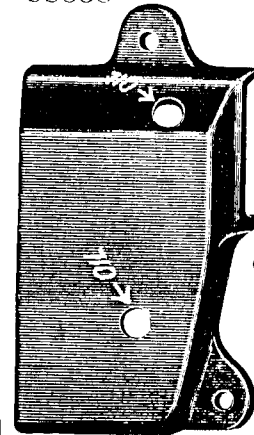


99006



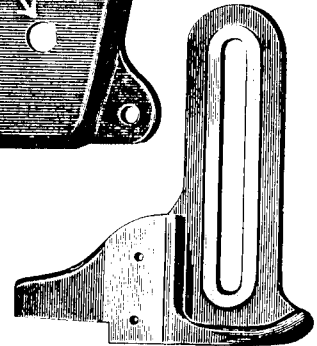
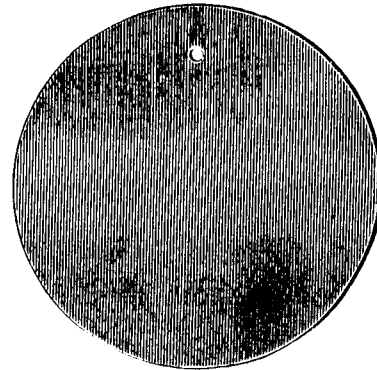
99005

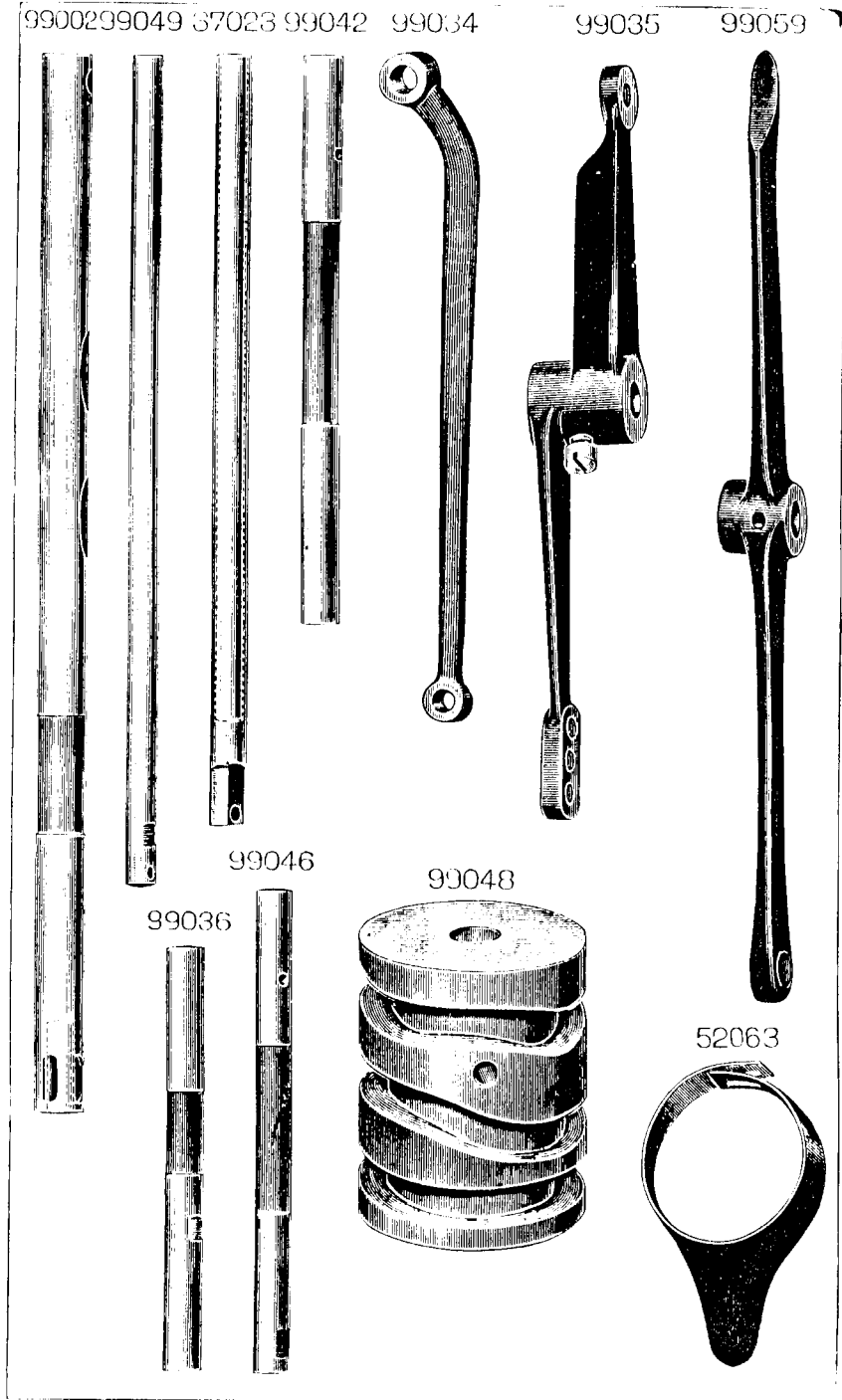
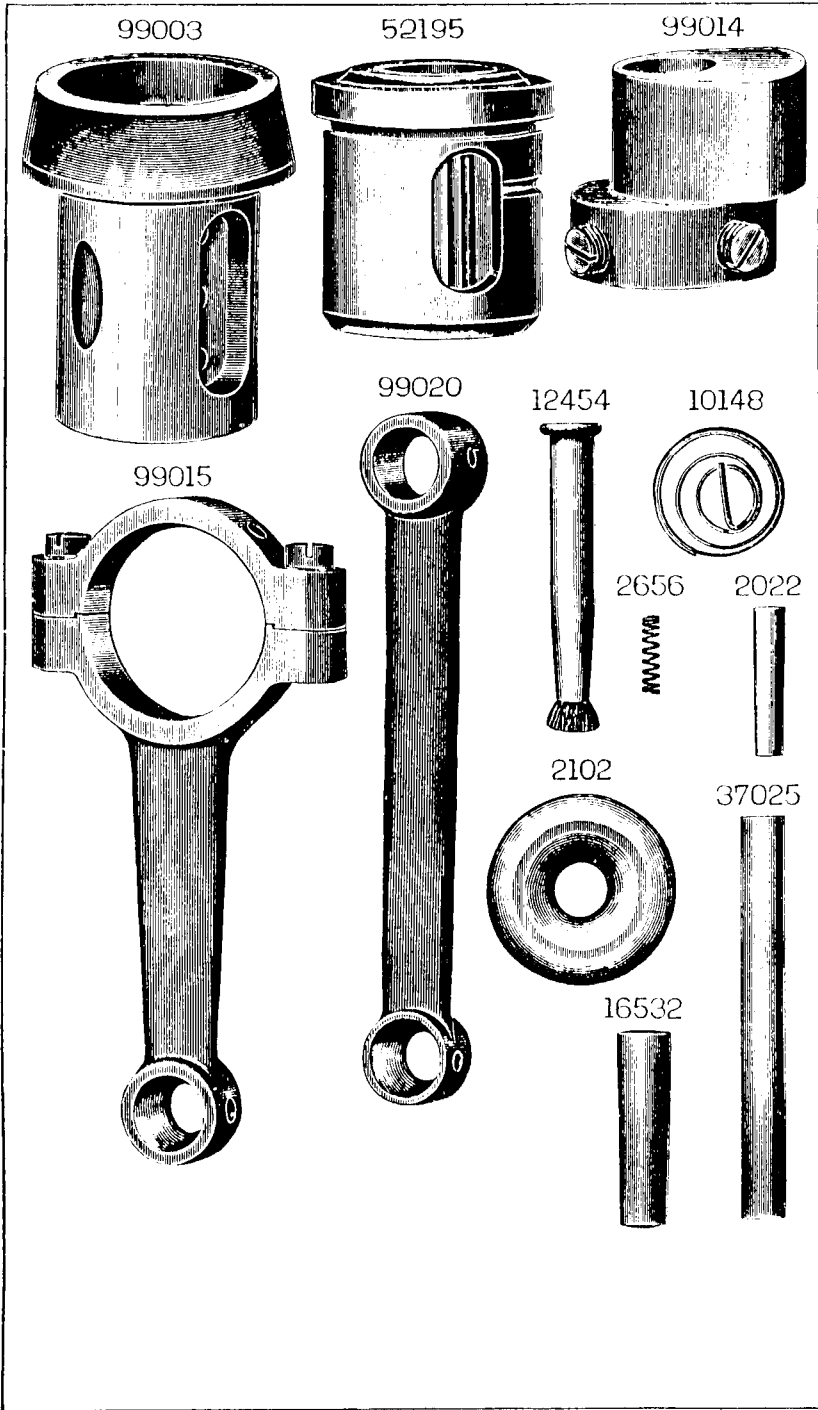
99019

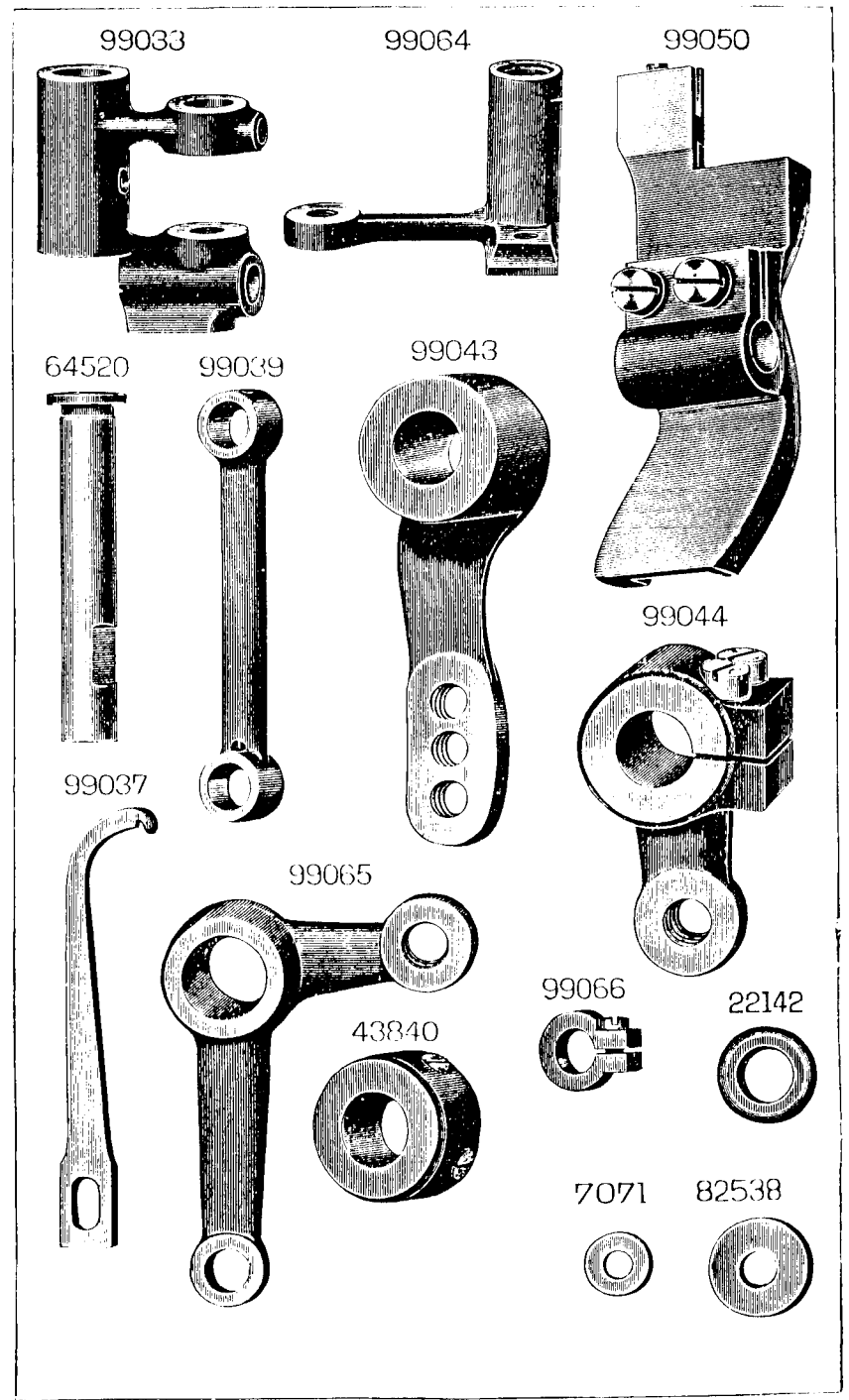
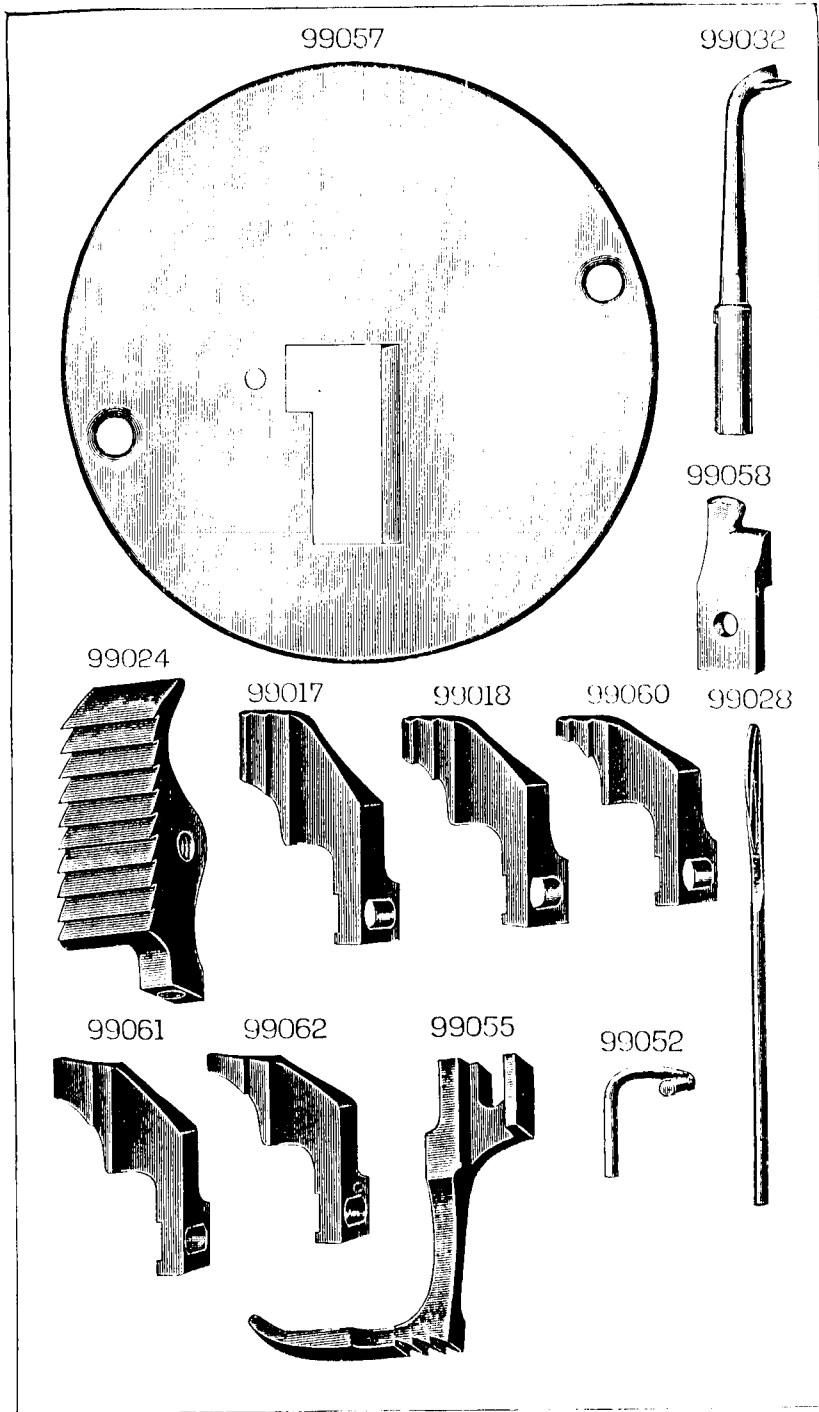


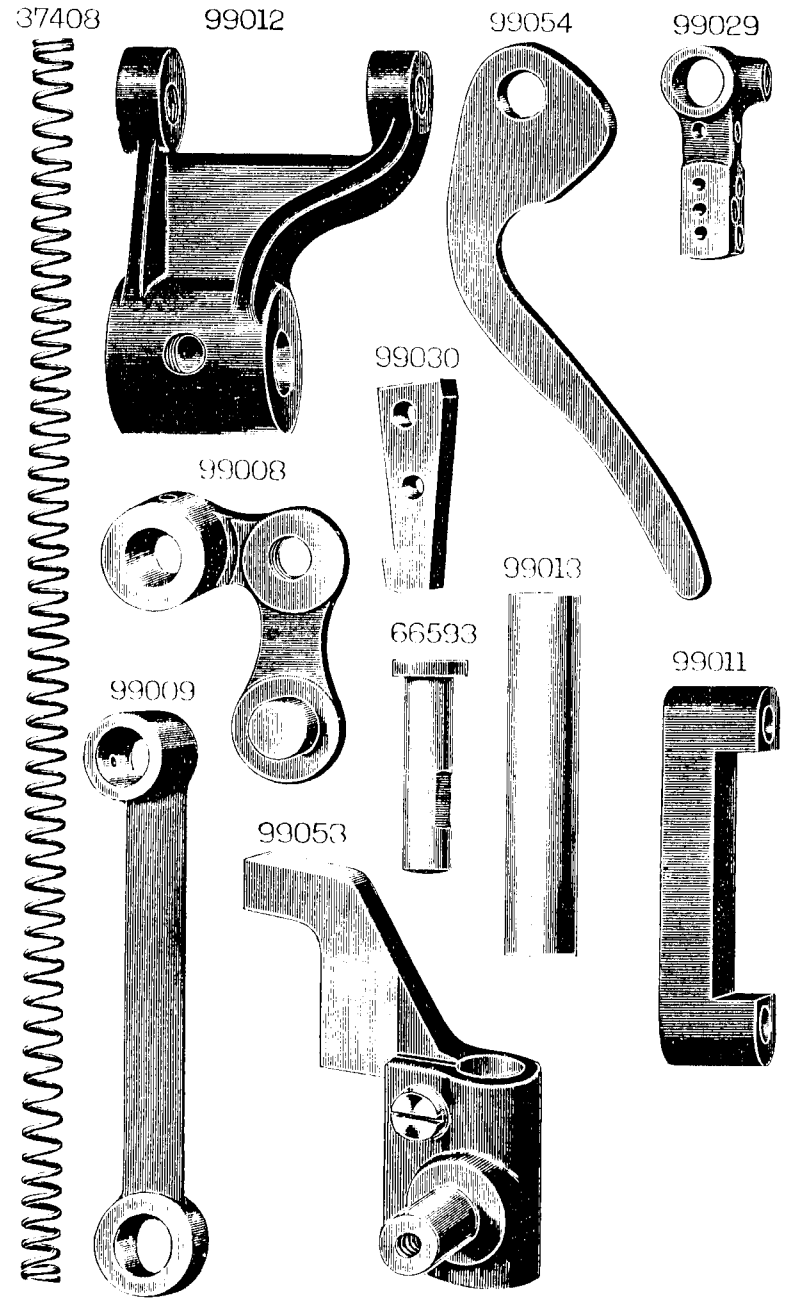
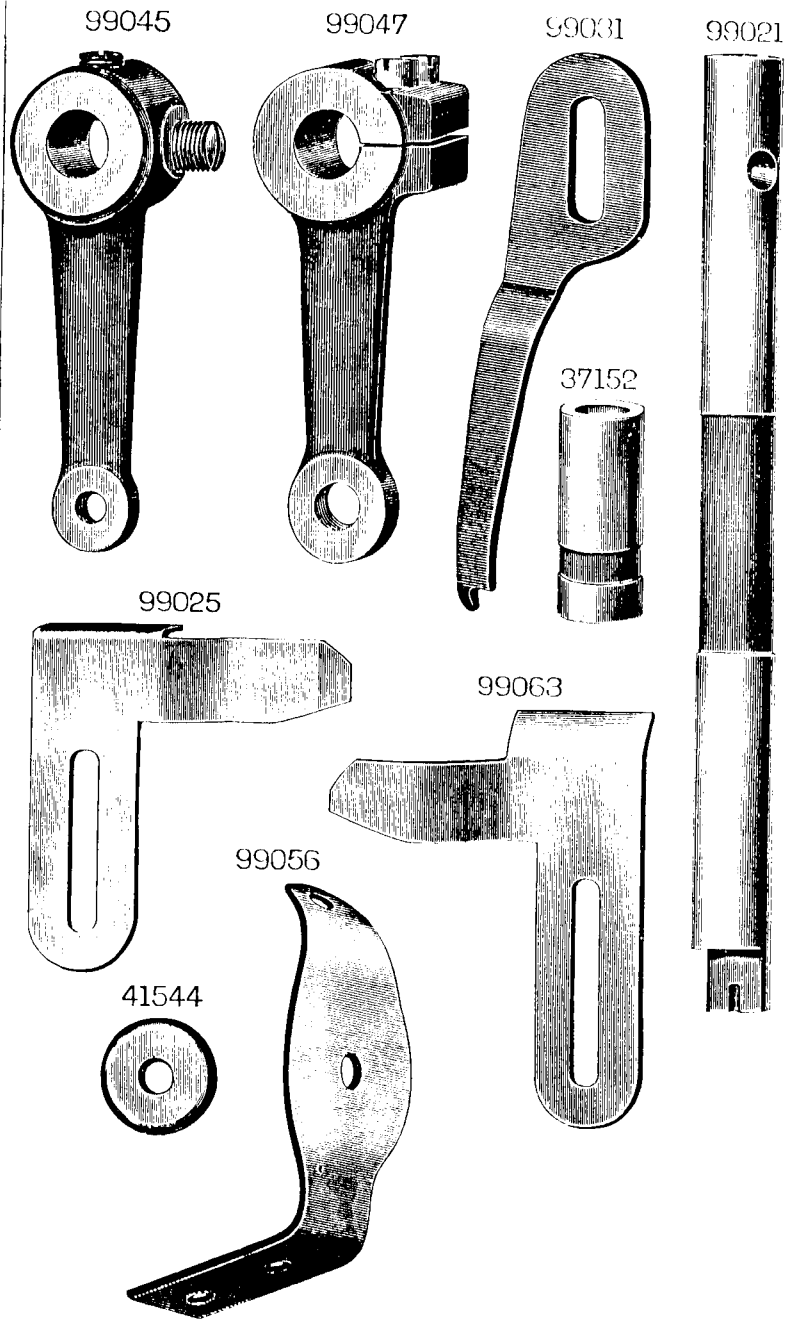
16036

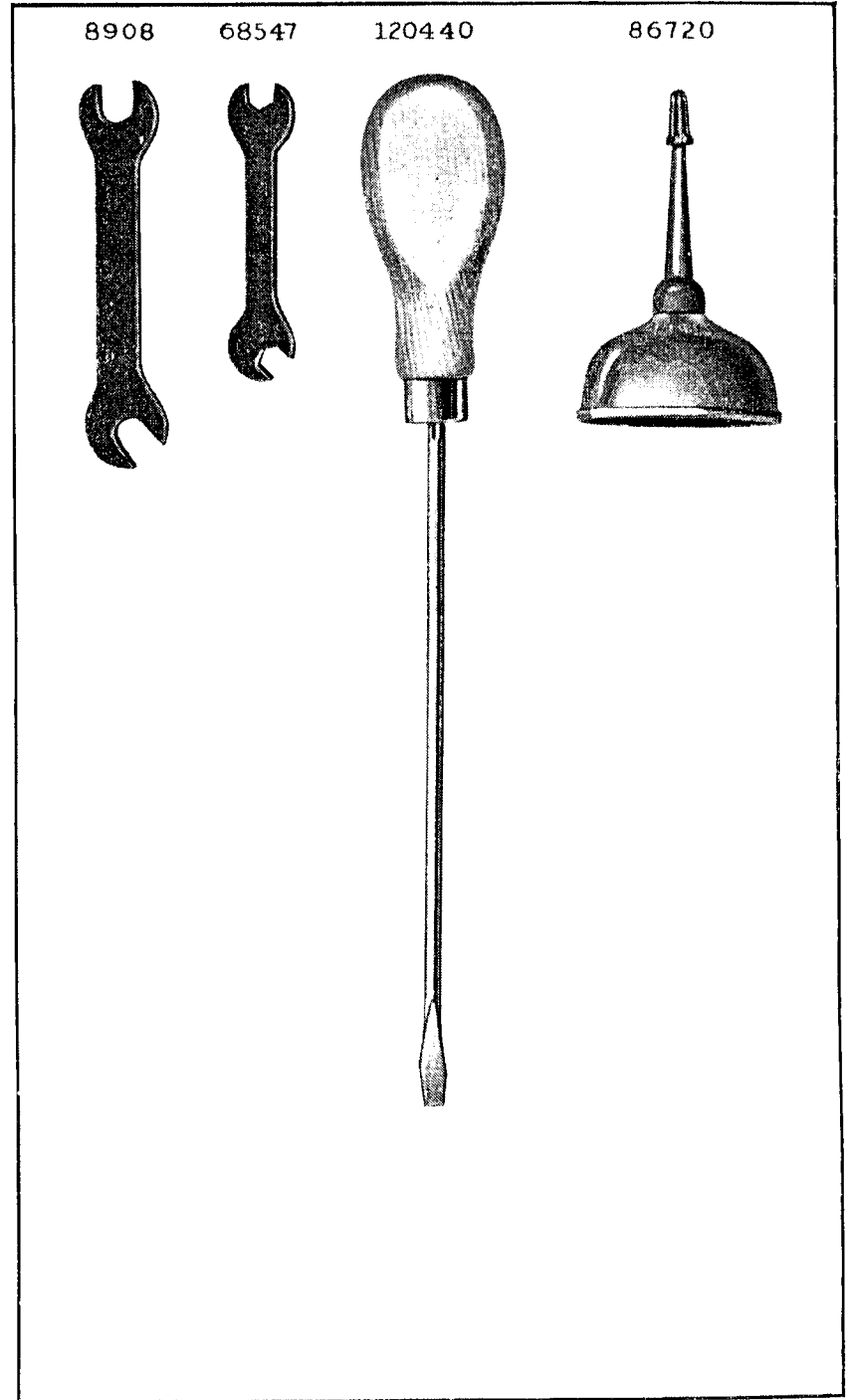
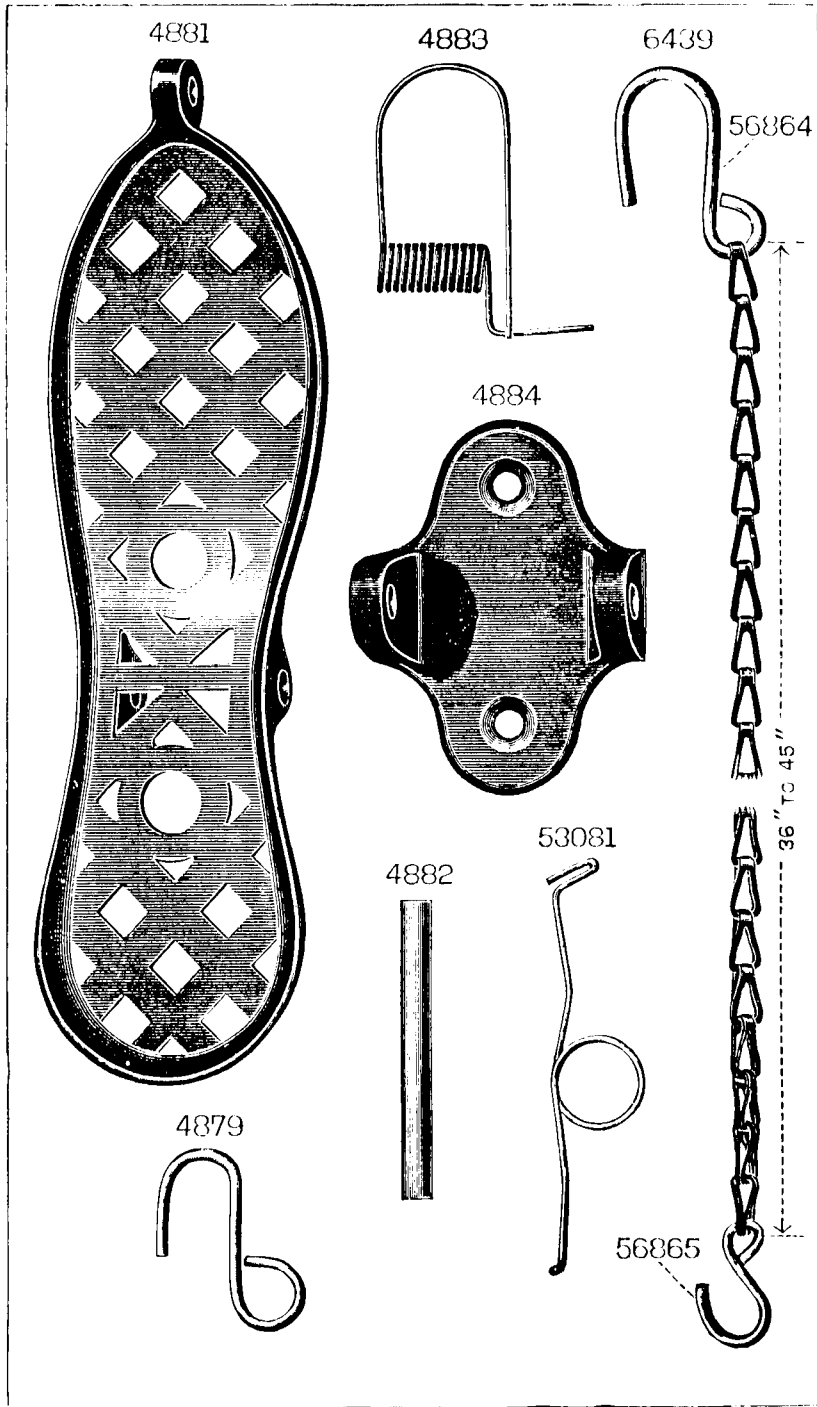
99027

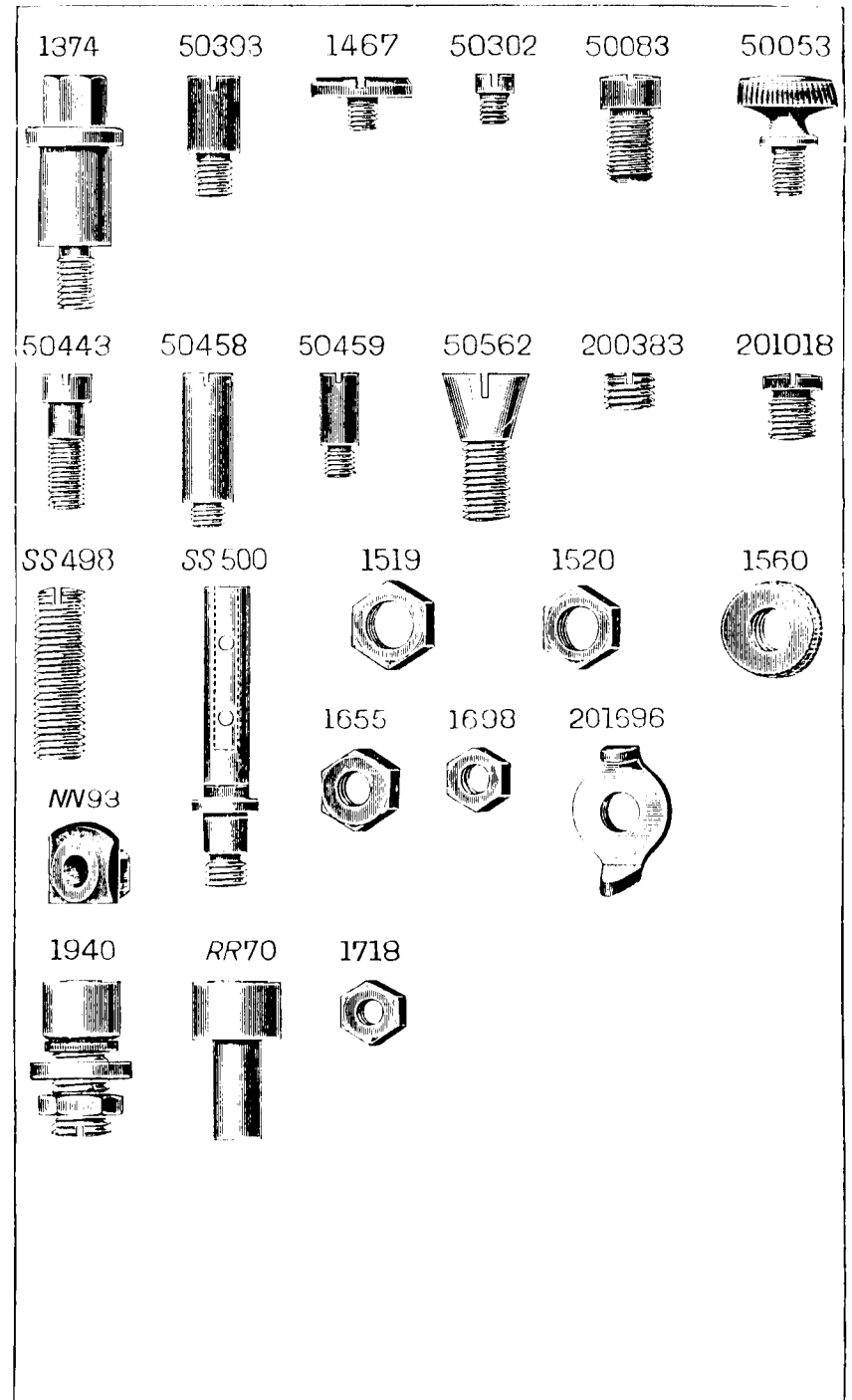
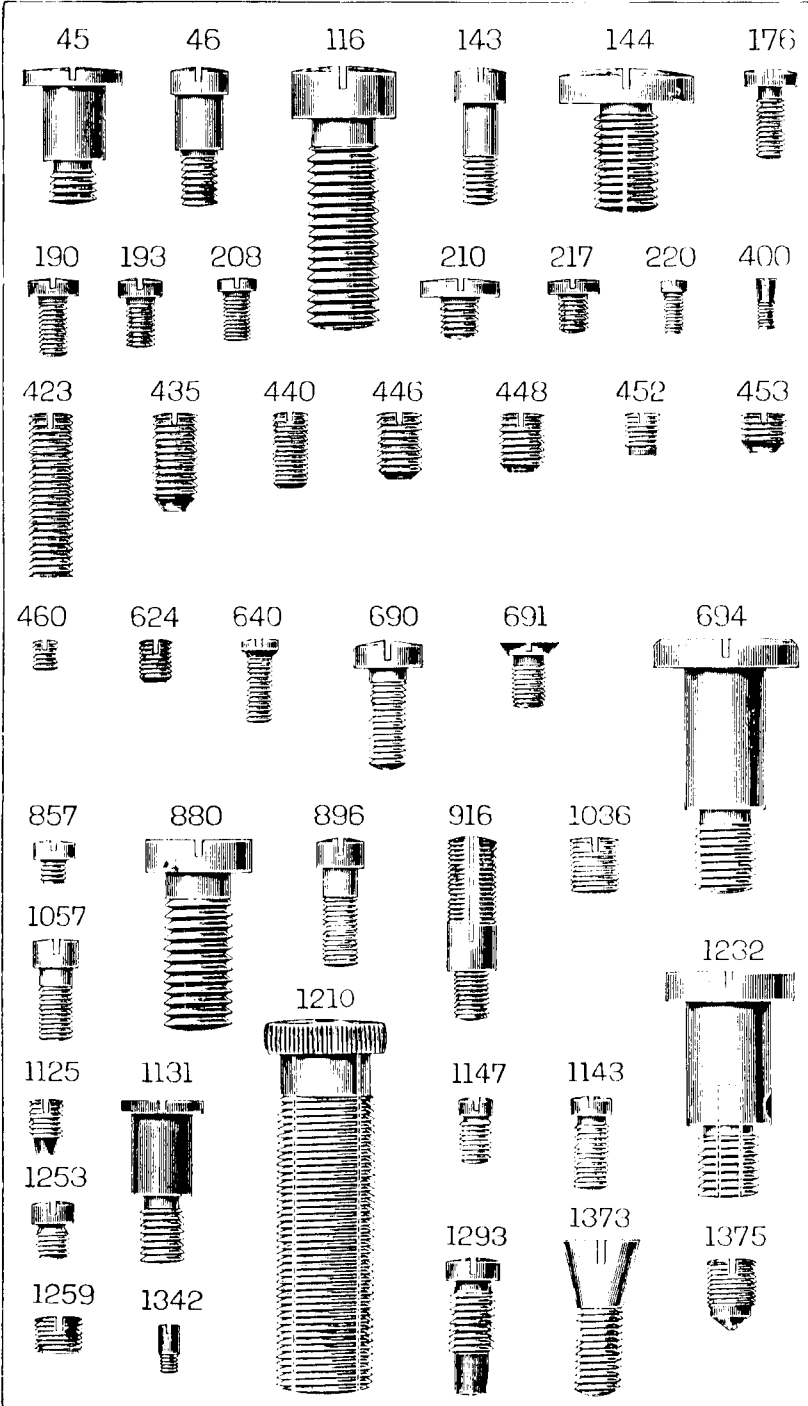




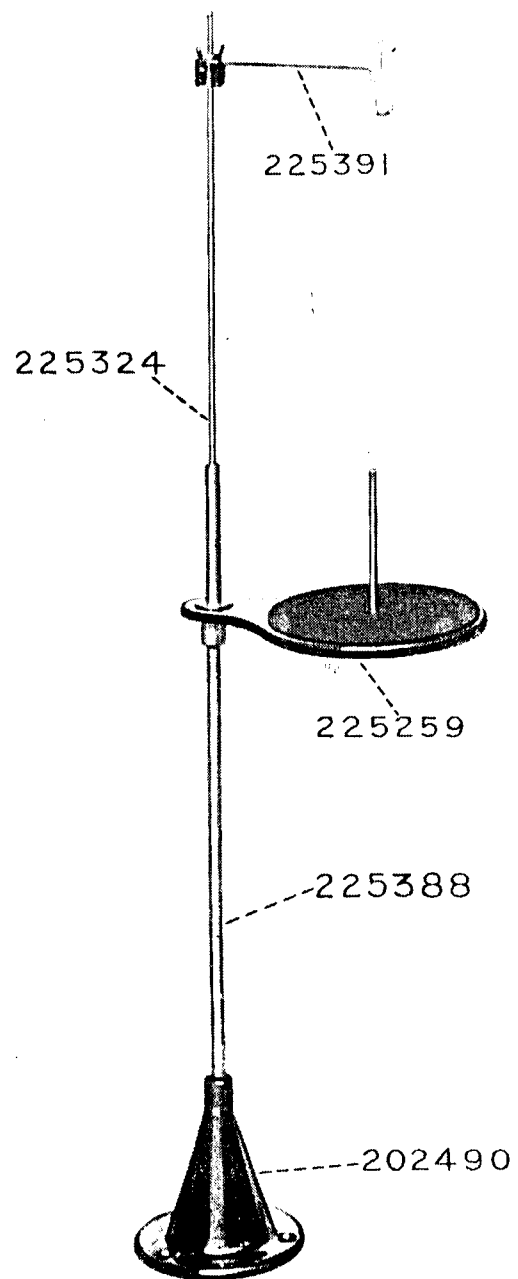








225260



ILLUSTRATED LIST OF PARTS

FOR

MACHINE No. 138K1

INSTRUCTIONS FOR ORDERING

In ordering from this List, the code number with the part number MUST BE quoted exactly as they are shown in the first column.

A number always indicates the same part in whatever List it may appear, or for whatever machine.

The code numbers (where shown) indicate the style of finish as follows:

CONTENTS

| | Page |
|--|------|
| Parts, Complete, for Machine No. 138K1 | 21 |
| Accessories | 26 |
| Foot Lifter | 26 |
| Thread Unwinder | 27 |
| Numerical List of Parts | 29 |

| New Code | Old Code | Description |
|----------|----------|--|
| 801 | A. | Hardened, Polished, Nickel Plated and Buffed. |
| 802 | B. | Polished, Nickel Plated and Buffed. |
| 803 | C. | Hardened only. |
| 804 | D. | Polished only. |
| 805 | E. | Soft, Not Polished. |
| 806 | F. | Hardened and Polished. |
| 807 | G. | Bright Rumbled and Nickel Plated. |
| 808 | H. | Blued. |
| 809 | J. | Nickel Plated only. |
| 810 | K. | Hardened and Nickel Plated. |
| 811 | L. | Brass Plated. |
| 812 | M. | Oxidized. |
| 813 | R. | Phosphate Coating Formed on Surface of Iron or Steel. |
| 814 | S. | Cadmium Plated. |
| 815 | T. | Copper Plated. |
| 816 | U. | Zinc Plated. |
| 817 | V. | Silver Plated. |
| 818 | W. | Polished and Nickel Plated. |
| 819 | X. | Black Oxide for Iron and Steel. |
| 820 | Y. | Black Nickel Plated only. |
| 821 | Z. | Chromium Plated. |
| 822 | A.A. | Buffed and Chromium Plated. |
| 823 | A.B. | Hardened, Polished, Buffed and Chromium Plated. |
| 824 | A.C. | Hardened, Bright Rumbled and Nickel Plated. |
| 825 | A.E. | Hardened, Bright Rumbled, Nickel Plated, Bright Rumbled and Chromium Plated. |
| 826 | A.G. | Alumilite. (Plain). |
| 827 | A.H. | Alumilite. (Dyed). Colour must be stated. |
| 828 | A.J. | Polished, Nickel Plated and Chromium Plated. |
| 829 | A.K. | Hardened, Polished, Nickel Plated and Chromium Plated. |
| 830 | A.L. | Heat Treated for Toughness. |
| 831 | A.L.D. | Heat Treated for Toughness and Polished. |
| 832 | A.L.J. | Heat Treated for Toughness and Nickel Plated. |
| 833 | A.L.X. | Heat Treated for Toughness and Black Oxide. |
| 834 | A.L.Z.B. | Heat Treated for Toughness, Polished, Nickel Plated, Buffed and Chromium Plated. |
| 835 | A.S. | Cancelled, use Paint Code 701. |
| 836 | A.T. | Cancelled, use Paint Code 709. |
| 837 | A.U. | Cancelled, use Paint Code 720. |
| 838 | | |
| 839 | B.A. | Chrome Nickel, Satin Finish. |
| 840 | B.B. | Hardened and Chrome Nickel, Satin Finish. |
| 841 | C.R. | Hardened and Phosphate Coating Formed on Surface of Steel. |
| 842 | C.U. | Hardened and Zinc Plated. |
| 843 | F.J. | Hardened, Polished and Nickel Plated. |
| 844 | F.A. | Hardened, Polished, Copper and Nickel Plated and Buffed. |
| 845 | T.B. | Copper and Nickel Plated and Polished. |
| 846 | T.J. | Copper and Nickel Plated only. |
| 847 | T.K. | Hardened, Copper and Nickel Plated. |
| 848 | T.L. | Copper and Brass Plated. |

INSTRUCTIONS FOR ORDERING - Continued.

| New Code | Old Code | Description |
|----------|----------|--|
| 849 | T.M. | Copper Plated and Oxidized. |
| 850 | X.C. | Hardened and Black Oxide for Iron and Steel. |
| 851 | Z.A. | Hardened, Polished, Nickel Plated, Buffed and Chromium Plated. |
| 852 | Z.B. | Polished, Nickel Plated, Buffed and Chromium Plated. |
| 853 | Z.C. | Hardened and Chromium Plated. |
| 854 | Z.D. | Polished and Chromium Plated. |
| 855 | Z.G. | Bright Rumbled, Nickel Plated, Bright Rumbled and Chromium Plated. |
| 856 | Z.J. | Nickel and Chromium Plated. |
| 857 | Z.T. | Copper and Chromium Plated. |
| 858 | A.L.Z.J. | Heat Treated for Toughness, Nickel and Chromium Plated. |
| 859 | | Heat Treated for Toughness, Copper Plated and Oxidized. |
| 860 | | Nickel Plated and Buffed only. |
| 861 | | Alumilite (dyed) - Black. |
| 862 | | " (") - Light Almond Green. |
| 863 | | " (") - Dark Brown. |
| 864 | | " (") - Russel Brown. |
| 865 | | " (") - Dark Green. |
| 866 | | " (") - Medium Gold. |
| 867 | | Nickel-Satin Finish. |
| 868 | | Hardened and Nickel-Satin Finish. |

| Code No. | Paint Colours | Code No. | Paint Colours |
|----------|--------------------|----------|-------------------------|
| 701 | Gloss Black | 734 | Pale Red |
| 702 | Dull Black | 735 | Emerald Green |
| 703 | Brown | 736 | Green Metallic |
| 704 | Grey Wrinkle | 737 | Light Beige Satin Matte |
| 705 | Beige Wrinkle | 738 | Copper Tan |
| 706 | Black Wrinkle | 739 | Buff |
| 707 | Light Green | 740 | White |
| 708 | Dark Green | 741 | Dark Fawn |
| 709 | Dark Beige | 742 | Plum |
| 710 | Light Beige | 743 | Birch Brown |
| 711 | Oyster White | 744 | Satin Black |
| 712 | | 745 | Gold-Buff |
| 713 | Bright Cherry Red | 746 | Blue Grey |
| 714 | Light Ivory | 747 | Medium Gold |
| 715 | Peacock Blue | 748 | Sand |
| 716 | Bright Yellow | 749 | Khaki |
| 717 | Slate Grey | 750 | Flame Red |
| 718 | Deep Brown | 751 | Brite Green |
| 719 | | 752 | Sage Green |
| 720 | Dark Brown | 753 | Mist Green |
| 721 | Aluminium | 754 | Ice Green Metallic |
| 722 | Dark Grey | 755 | Dark Beige Metallic |
| 723 | Light Grey Beige | 756 | Shell Pink |
| 724 | Rosewood Brown | 757 | Surf Green |
| 725 | Light Bisque | 758 | Colonial Rose |
| 726 | Light Fawn | 759 | Cream |
| 727 | | 760 | Oak Brown |
| 728 | Grey Metallic | 761 | Deep Fawn |
| 729 | Russel Brown | 762 | Medium Green |
| 730 | Pale Green | 763 | Light Green Metallic |
| 731 | Light Almond Green | 764 | Light Gold |
| 732 | Dusty Bisque | 765 | Persimmon |
| 733 | Chocolate Brown | | |

Parts marked with an asterisk (*) are furnished only when the repairs are made at Factory.

List of Parts Complete for MACHINE No. 138K1

For Blanket Whipping : provided with Needle, Hook Needle and Loper ; also with Guides and Feeding Presser Feet to give widths of whipped edge of $\frac{1}{2}$ ", $\frac{3}{4}$ " and $\frac{3}{8}$ ".

The Mechanism is cam operated and other special features include Alternating Pressers, Top Feed and Stitch Regulator.

| No. | Plate | | | | | | | | |
|--------|-------|--------------------------------------|-----|-----|-----|-----|-----|-----|-----|
| *99001 | | Arm | ... | ... | ... | ... | ... | ... | ... |
| 16532 | 1703 | " Dowel Pin (2) | ... | ... | ... | ... | ... | ... | ... |
| 12454 | 1703 | " Oil Tube with 132590 | ... | ... | ... | ... | ... | ... | ... |
| 132590 | | " " " Packing (felt) | ... | ... | ... | ... | ... | ... | ... |
| 116e | 1711 | " Screw (long) (3) | ... | ... | ... | ... | ... | ... | ... |
| 880e | 1711 | " " (short) | ... | ... | ... | ... | ... | ... | ... |
| 99002 | 1704 | " Shaft | ... | ... | ... | ... | ... | ... | ... |
| 99003 | 1703 | " " Bushing (back) | ... | ... | ... | ... | ... | ... | ... |
| 56006 | | " " " (") Oil Pad (braided cotton) | ... | ... | ... | ... | ... | ... | ... |
| 448e | 1711 | " " " (") Set Screw | ... | ... | ... | ... | ... | ... | ... |
| 52195 | 1703 | " " " (front) | ... | ... | ... | ... | ... | ... | ... |
| 56006 | | " " " (") Oil Pad (braided cotton) | ... | ... | ... | ... | ... | ... | ... |
| 123e | 1711 | " " " (") Set Screw | ... | ... | ... | ... | ... | ... | ... |
| 144e | 1711 | " " Screw | ... | ... | ... | ... | ... | ... | ... |
| *16036 | 1702 | " Side Cover | ... | ... | ... | ... | ... | ... | ... |
| 50053d | 1712 | " " " Thumb Screw | ... | ... | ... | ... | ... | ... | ... |
| *99001 | | Bed | ... | ... | ... | ... | ... | ... | ... |
| 99005 | 1702 | " Cover | ... | ... | ... | ... | ... | ... | ... |
| 690d | 1711 | " " Screw (2) | ... | ... | ... | ... | ... | ... | ... |
| *99006 | 1702 | Face Plate | ... | ... | ... | ... | ... | ... | ... |
| 176f | 1711 | " " Screw (2) | ... | ... | ... | ... | ... | ... | ... |

‡ For Two Four Machines the finish of these parts is Grey Metallic (Colour Code No. 728).

| No. | Plate | | | | | | | |
|------------------|------------|---------------------|---|---|--------|-----------------|-------------|-------------|
| +99007 | 1702 | Feed Bar | | | | | | |
| 99008 | 1708 | " | " | Bell Crank | | | | |
| 1467b | 1712 | " | " | " | " | Cap Screw | | |
| 99009 | 1708 | " | " | " | " | Connecting Link | | |
| 1131c | 1711 | " | " | " | " | " | Hinge Screw | |
| 1520r | 1712 | " | " | " | " | " | " | Nut |
| +99011 | 1708 | " | " | Guide | | | | |
| 143d | 1711 | " | " | " | " | Screw (2) | | |
| 45c | 1711 | " | " | Hinge Screw | | | | |
| †99012 | 1708 | " | " | Rocking Frame with 453c | | | | |
| 99013 | 1708 | " | " | " | " | Hinge Pin | | |
| 453c | 1711 | " | " | " | " | Set Screw | | |
| 99014 | 1703 | " | " | Cam with 1036c and 1375c | | | | |
| 1375c | 1711 | " | " | " | " | Position Screw | | |
| 1036c | 1711 | " | " | " | " | Set Screw | | |
| 99015 | 1703 | " | " | Connecting Rod with 99016 and two 8906 | | | | |
| †99016 | " | " | " | " | " | Cap | | |
| 109754(8cs)-8906 | 1711-10/02 | " | " | " | " | Screw | | |
| 1373c | 1711 | " | " | " | " | Hinge Screw | | |
| 1520r | 1712 | " | " | " | " | " | " | Nut |
| 1371c | 1712 | " | " | Regulating Screw Stud | | | | |
| NX93c | 1712 | " | " | " | " | " | " | Nut |
| 41541 | 1707 | " | " | " | " | " | " | Washer |
| †99019 | 1702 | " | " | Regulator with 1125d | | | | |
| 99020 | 1703 | " | " | Connecting Link | | | | |
| 50562c | 1712 | " | " | " | " | " | " | Hinge Screw |
| 1520r | 1712 | " | " | " | " | " | " | Nut |
| 2022 | 1703 | " | " | " | " | Pin | | |
| 1125d | 1711 | " | " | " | " | Set Screw | | |
| 99021 | 1707 | " | " | " | " | Shaft | | |
| 99022 | 1702 | " | " | " | " | Crank (broken) | | |
| 99023 | " | " | " | " | " | Oil Pad (felt) | | |
| 1293c | 1711 | " | " | " | " | Position Screw | | |
| 416c | 1711 | " | " | " | " | Set Screw | | |
| 1342c | 1711 | " | " | " | " | Stop Screw | | |
| 99024 | 1705 | Feeding Foot | | | | | | |
| 99017 | 1705 | " | " | Extension (3 teeth) for $\frac{3}{4}$ " gauge | | | | |
| 99018 | 1705 | " | " | " | (3 ") | $\frac{3}{4}$ " | | |
| 99060 | 1705 | " | " | " | (3 ") | 1" | | |
| 99061 | 1705 | " | " | " | (2 ") | $\frac{3}{4}$ " | | |
| 99062 | 1705 | " | " | " | (2 ") | $\frac{1}{2}$ " | | |
| 190d | 1711 | " | " | " | " | Screw | | |
| 50459c | 1712 | " | " | " | " | Hinge Screw | | |
| 2656 | 1703 | " | " | " | " | Spring | | |

† For Two Tone Machines the finish of these parts is Grey Metallic (Colour Code No. 728).

| No. | Plate | | | | | | | |
|--------|-------|--|---------|--------------------------------|---|-----------------|---|--|
| 99025 | 1707 | Guide (for Hem) $\frac{1}{2}$ " gauge | | | | | | |
| 99026 | " | " | (") | $\frac{3}{4}$ " | " | | | |
| 99063 | 1707 | " | (plain) | | | | | |
| 99027 | 1702 | " | " | Holder | | | | |
| 690d | 1711 | " | " | " | " | Screw (2) | | |
| 82538 | 1706 | " | " | " | " | Washer (2) | | |
| 1761 | 1711 | " | " | " | " | Screw (2) | | |
| 7071 | 1706 | " | " | " | " | Washer (2) | | |
| 99028 | 1705 | Hook Needle | | | | | | |
| 99029 | 1708 | " | " | Clasp | | | | |
| 1253c | 1711 | " | " | " | " | Set Screw | | |
| 99030 | 1708 | " | " | Closing Plock | | | | |
| 6401 | 1711 | " | " | " | " | Screw (2) | | |
| 99031 | 1707 | " | " | Guide | | | | |
| 690d | 1711 | " | " | " | " | Screw | | |
| 82538 | 1706 | " | " | " | " | Washer | | |
| 50302f | 1712 | " | " | " | " | Set Screw | | |
| 99032 | 1705 | Looper (lower) | | | | | | |
| 99033 | 1706 | " | (") | Carrier with 460c and two H47c | | | | |
| 64520 | 1706 | " | (") | " | " | Hinge Stud | | |
| 448c | 1711 | " | (") | " | " | Set Screw (2) | | |
| 99034 | 1701 | " | (") | " | " | Pin | | |
| 50458c | 1712 | " | (") | " | " | " | " | Hinge Screw (left) |
| 460c | 1711 | " | (") | " | " | " | " | (") Set Screw |
| 1431c | 1711 | " | (") | " | " | " | " | (right) |
| 1520r | 1712 | " | (") | " | " | " | " | (") Nut |
| 99035 | 1701 | " | (") | Driving Lever with 50083c | | | | |
| 99036 | 1704 | " | (") | " | " | " | " | Hinge Pin |
| 43810 | 1706 | " | (") | " | " | " | " | Collar with two 624c |
| 624c | 1711 | " | (") | " | " | " | " | Set Screw |
| 1940 | 1712 | " | (") | " | " | " | " | Roller and Screw Stud with 1519c and 22142 |
| 1519c | 1712 | " | (") | " | " | " | " | Stud Nut |
| 22142 | 1706 | " | (") | " | " | " | " | Washer |
| 50083c | 1712 | " | (") | " | " | " | " | Set Screw |
| 1147c | 1711 | " | (") | " | " | " | " | Set Screw |
| 99037 | 1706 | " | (upper) | | | | | |
| 99064 | 1706 | " | (") | Carrier | | | | |
| 99039 | 1706 | " | (") | " | " | Connecting Link | | |
| 46d | 1711 | " | (") | " | " | " | " | Hinge Screw (2) |
| 1718h | 1712 | " | (") | " | " | " | " | Nut (2) |
| 99065 | 1706 | " | (") | " | " | " | " | Bell Crank |
| 99041 | " | " | (") | " | " | " | " | Connecting Link |

| No. | Plate | |
|-----------|-------|---|
| 1131c | 1711 | Looper (upper) Carrier Bell Crank Connecting Link Hinge Screw (2) |
| 1520r | 1712 | " (") " " " " " " Hinge Screw Nut (2) |
| 1232c | 1711 | " (") " " " " Hinge Screw |
| SS500c | 1712 | " (") " " " " Hinge Screw Stud |
| 99066 | 1706 | " (") " " " " " Collar with 220 |
| 220c | 1711 | " (") " " " " " " Screw |
| 1655c | 1712 | " (") " " " " " " Nut |
| †99045 | 1707 | " (") Driving Crank with 1036c and 1259c |
| 1036c | 1711 | " (") " " " " Set Screw (long) |
| 1259c | 1711 | " (") " " " " " (short) |
| 99046 | 1704 | " (") " " " " Shaft |
| †99047 | 1707 | " (") " " " " Crank with two 50443c |
| 50443c | 1712 | " (") " " " " " Clamping Screw |
| 1940 | 1712 | " (") " " " " " Roller and Screw Stud with 1519c and 22142 |
| 1519c | 1712 | " (") " " " " " Crank Roller and Screw Stud Nut |
| 22142 | 1706 | " (") " " " " " " and Screw Stud Nut Washer |
| 99042 | 1704 | " (") Rock Shaft |
| 99043 | 1706 | " (") " " " " Crank (lower) |
| 2022 | 1703 | " (") " " " " " (") Pin |
| 99044 | 1706 | " (") " " " " " (upper) with two 50443c |
| 50443c | 1712 | " (") " " " " " (") Clamping Screw |
| 1940 | 1712 | " (") " " " " " (") Roller and Screw Stud with 1519c and 22142 |
| 1519c | 1712 | " (") " " " " " (upper) Roller and Screw Stud Nut |
| 22142 | 1706 | " (") " " " " " (lower) " " " Screw Stud Nut Washer |
| 190f | 1711 | " (") Screw |
| 7071 | 1706 | " (") " " Washer |
| 99048 | 1704 | " " Cam with 1036c and 1375c |
| 1375c | 1711 | " " " Position Screw |
| 1036c | 1711 | " " " Set Screw |
| 13950 | | Machine Pulley , "V" belt groove, outside diameter of belt groove 2.9", with two 443al |
| 52063 | 1704 | Machine Pulley Oil Cover |
| 210d | 1711 | " " " " " Screw |
| 443al | | " " " Set Screw |
| Catalogue | | |
| 2043 | | Needle , size 22 (85 - 1) |

† For Two Tone Machines the finish of these parts is Grey Metallic (Colour Code No. 728).

| No. | Plate | |
|--------|-------|--|
| 99049 | 1704 | Needle Bar with 857c |
| 37152 | 1707 | " " Bushing (lower) |
| 453c | 1711 | " " " " (") Set Screw |
| 37152 | 1707 | " " " " (upper) |
| 435c | 1711 | " " " " (") Set Screw |
| 99050 | 1706 | " " Cam with 400c and two 1057c |
| 400c | 1711 | " " " Adjusting Screw |
| 1057c | 1711 | " " " Clamping Screw |
| RR70 | 1712 | " " " Roller and Stud |
| 1143c | 1711 | " " " " " " " Position Screw |
| 452al | 1711 | " " " " " " " Set Screw |
| 99051 | 1702 | " " Crank and Feed Lifting Eccentric with SS498c |
| 1293c | 1711 | " " " " " " " " Position Screw |
| SS498c | 1712 | " " " " " " " " Set Screw |
| 857c | 1711 | " Set Screw |
| 99052 | 1705 | " Thread Guard |
| 460c | 1711 | " " " Set Screw |
| 37023 | 1704 | Presser Bar |
| 99053 | 1708 | " " Guide Bracket with two 1057c |
| 1057c | 1711 | " " " " " Clamping Screw |
| 99054 | 1708 | " " Lifter |
| 66593 | 1708 | " " " Hinge Stud |
| 440c | 1711 | " " " " " " Set Screw |
| 37408 | 1708 | " " Spring |
| 37025 | 1703 | " " " Extension Pin |
| 99055 | 1705 | " Foot |
| 176f | 1711 | " " Screw |
| 1210c | 1711 | Pressure Regulating Thumb Screw |
| 99056 | 1707 | Tension Bracket |
| 176f | 1711 | " " " Screw (2) |
| 2102 | 1703 | " Disc (2) |
| 1560c | 1712 | " Regulating Thumb Nut |
| 916c | 1711 | " Screw Stud |
| 44209 | | " " " 916c with 1560c |
| 1698c | 1712 | " " " Nut |
| 10148 | 1703 | " Spring |
| 99057 | 1705 | Throat Plate |
| 691f | 1711 | " " " Screw (2) |
| 99058 | 1705 | " " Thread Retainer |
| 2171 | 1711 | " " " " " Screw |
| 94013 | -- | Drip Pan |

Accessories

| No. | Plate | | | | | | |
|------------------|-------|---|-----|-----|-----|-----|-----|
| -- | -- | Instruction Book | ... | ... | ... | ... | ... |
| 99028 | 1705 | Hook Needle (6) | ... | ... | ... | ... | ... |
| 12361 | -- | Machine Hinge Connection (2) | ... | ... | ... | ... | ... |
| Catalogue | | | | | | | |
| 2043 | -- | Needles, three each sizes 22 and 26 (85% 1) | ... | ... | ... | ... | ... |
| 86720 | 1710 | Oiler | ... | ... | ... | ... | ... |
| 120440 | 1710 | Screw Driver | ... | ... | ... | ... | ... |
| 8908 | 1710 | Wrench | ... | ... | ... | ... | ... |
| 68547 | 1710 | Wrench | ... | ... | ... | ... | ... |

Foot Lifter

| No. | Plate | | | | | | |
|--|-------|---|-----|-----|-----|-----|-----|
| 6439 | 1709 | Chain, 36" to 45", with 56864 and 56865 | ... | ... | ... | ... | ... |
| <i>NOTE. When ordering 6439 give length required</i> | | | | | | | |
| 4879 | 1709 | Chain Connecting Link | ... | ... | ... | ... | ... |
| 56864 | 1709 | " Hook (large) | ... | ... | ... | ... | ... |
| 56865 | 1709 | " " (small) | ... | ... | ... | ... | ... |
| 99059 | 1704 | Lifting Lever | ... | ... | ... | ... | ... |
| 694d | 1711 | " " Hinge Screw | ... | ... | ... | ... | ... |
| 53081 | 1709 | " " Spring | ... | ... | ... | ... | ... |
| 50393c | 1712 | " " Stop Screw | ... | ... | ... | ... | ... |
| 4881 | 1709 | Treadle | ... | ... | ... | ... | ... |
| 4882 | 1709 | " Shaft | ... | ... | ... | ... | ... |
| 4883 | 1709 | " Spring | ... | ... | ... | ... | ... |
| 4884 | 1709 | " Stand | ... | ... | ... | ... | ... |
| 4885 | | Treadle, complete, Nos. 4879, 4881 to 4884 and two Wood Screws 1" No. 16 | ... | ... | ... | ... | ... |
| 99067 | -- | Foot Lifter, complete, Nos. 694d, 4885, 6439, 50393c, 53081 and 99059 | ... | ... | ... | ... | ... |

Thread Unwinder

For One Spool of Thread

| No. | Plate | | | | | | |
|---------|-------|--|-----|-----|-----|-----|-----|
| 228692 | | Spool Pin | ... | ... | ... | ... | ... |
| 201528h | | " " Nut | ... | ... | ... | ... | ... |
| 82538 | -- | " " Washer | ... | ... | ... | ... | ... |
| 225259 | 2212 | Spool Rest with 82538, 201018c, 201528h and 228692 | ... | ... | ... | ... | ... |
| 150203 | -- | " " Cushion (felt) | ... | ... | ... | ... | ... |
| 225388 | 2212 | " " Rod | ... | ... | ... | ... | ... |
| 200383c | 1712 | " " " Set Screw | ... | ... | ... | ... | ... |
| 201018c | 1712 | " " Set Screw | ... | ... | ... | ... | ... |
| 202490 | 2212 | " Stand with 200383c | ... | ... | ... | ... | ... |
| 225391 | 2212 | Thread Guide | ... | ... | ... | ... | ... |
| 201696j | 1712 | " " Lock Nut | ... | ... | ... | ... | ... |
| 225326 | | " " Position Cup | ... | ... | ... | ... | ... |
| 225324 | 2212 | " " Rod with 208c and 225322 | ... | ... | ... | ... | ... |
| 208c | 1711 | " " " Screw | ... | ... | ... | ... | ... |
| 225322 | -- | " " " Washer | ... | ... | ... | ... | ... |
| 225260 | 2212 | Thread Unwinder, complete, Nos. 150203, 201696j, 202490, 225259, 225324, 225326, 225388, 225391, and three Wood Screws $\frac{3}{4}$" No. 12 | ... | ... | ... | ... | ... |
| 27739 | -- | Thread Cone (wood) (only supplied when specified on order and at an extra charge). | ... | ... | ... | ... | ... |

Numerical List of Parts

| No. | Plate | |
|---------------|-------|--|
| 45e | 1711 | Feed Bar Hinge Screw |
| 46d | 1711 | Looper (upper) Carrier Connecting Link Hinge Screw |
| <i>RI70</i> | 1712 | Needle Bar Cam Roller and Stud |
| <i>NN93c</i> | 1712 | Feed Regulating Screw Stud Nut |
| 116e | 1711 | Arm Screw (long) |
| 143d | 1711 | Feed Bar Guide Screw |
| 144e | 1711 | Arm Shaft Screw |
| 176f | 1711 | Face Plate Screw |
| 176f | 1711 | Guide Screw |
| 176f | 1711 | Presser Foot Screw |
| 176f | 1711 | Tension Bracket Screw |
| 190d | 1711 | Feeding Foot Extension Screw |
| 190f | 1711 | Looper (upper) Screw |
| 208e | 1711 | Thread Unwinder Thread Guide Rod Screw for 225324 |
| 210d | 1711 | Machine Pulley Oil Cover Screw |
| 217f | 1711 | Throat Plate Thread Retainer Screw |
| 220e | 1711 | Looper (upper) Carrier Hinge Screw Stud Collar Screw for 99066 |
| 400e | 1711 | Needle Bar Cam Adjusting Screw for 99050 |
| 423e | 1711 | Arm Shaft Bushing (front) Set Screw |
| 435e | 1711 | Needle Bar Bushing (upper) Set Screw |
| 440e | 1711 | Presser Bar Tifter Hinge Stud Set Screw |
| 443a1 | | Machine Pulley Set Screw for 43950 |
| 446e | 1711 | Feed Regulator Shaft Crank Set Screw |
| 448e | 1711 | Arm Shaft Bushing (back) Set Screw |
| 448e | 1711 | Looper (lower) Carrier Hinge Stud Set Screw |
| 452a1 | 1711 | Needle Bar Cam Roller and Stud Set Screw |
| 453e | 1711 | Feed Bar Rocking Frame Set Screw for 99012 |
| 453e | 1711 | Needle Bar Bushing (lower) Set Screw |
| 460e | 1711 | Looper (lower) Carrier Pitman Hinge Screw (left) Set Screw for 99033 |
| 460e | 1711 | Needle Thread Guard Set Screw |
| <i>SS498e</i> | 1712 | Needle Bar Crank and Feed Lifting Eccentric Set Screw for 99051 |
| <i>SS500e</i> | 1712 | Looper (upper) Carrier Hinge Screw Stud |
| 624e | 1711 | Looper (lower) Driving Lever Hinge Pin Collar Set Screw for 43840 |
| 640f | 1711 | Hook Needle Closing Block Screw |
| 690d | 1711 | Bed Cover Screw |
| 690d | 1711 | Guide Holder Screw |
| 690d | 1711 | Hook Needle Guide Screw |
| 691f | 1711 | Throat Plate Screw |

| No. | Plate | |
|-------|-------|--|
| 694d | 1711 | Foot Lifter Lifting Lever Hinge Screw for 99067 |
| 857c | 1711 | Needle Set Screw for 99049 |
| 880c | 1711 | Arm Screw (short) |
| 896e | 1711 | Feed Connecting Rod Cap Screw for 99015 |
| *916c | 1711 | Tension Screw Stud for 44209 |
| 1036c | 1711 | Feed Cam Set Screw for 99014 |
| 1036c | 1711 | Looper (upper) Driving Crank Set Screw (long) for 99045 |
| 1036c | 1711 | Looper Cam Set Screw for 99048 |
| 1057c | 1711 | Needle Bar Cam Clamping Screw for 99050 |
| 1057c | 1711 | Presser Bar Guide Bracket Clamping Screw for 99053 |
| 1125d | 1711 | Feed Regulator Set Screw for 99019 |
| 1131c | 1711 | Feed Bar Bell Crank Connecting Link Hinge Screw |
| 1131c | 1711 | Looper (lower) Carrier Pitman Hinge Screw (right) |
| 1131c | 1711 | Looper (upper) Carrier Bell Crank Connecting Link Hinge Screw |
| 1143c | 1711 | Needle Bar Cam Roller and Stud Position Screw |
| 1147c | 1711 | Looper (lower) Set Screw for 99033 |
| 1210c | 1711 | Pressure Regulating Thumb Screw |
| 1232c | 1711 | Looper (upper) Carrier Bell Crank Hinge Screw |
| 1253c | 1711 | Hook Needle Clamp Set Screw |
| 1259c | 1711 | Looper (upper) Driving Crank Set Screw (short) for 99045 |
| 1293c | 1711 | Feed Regulator Shaft Crank Position Screw |
| 1293c | 1711 | Needle Bar Crank and Feed Lifting Eccentric Position Screw |
| 1342c | 1711 | Feed Regulator Stop Screw |
| 1373c | 1711 | Feed Connecting Rod Hinge Screw |
| 1374e | 1712 | Feed Regulating Screw Stud |
| 1375e | 1711 | Feed Cam Position Screw for 99014 |
| 1375e | 1711 | Looper Cam Position Screw for 99048 |
| 1467h | 1712 | Feed Bar Bell Crank Cap Screw |
| 1519e | 1712 | Looper (lower) Driving Lever Roller and Screw Stud Nut for 1940 |
| 1519e | 1712 | Looper (upper) Rock Shaft Crank (upper) Roller and Screw Stud Nut for 1940 |
| 1519e | 1712 | Looper (upper) Driving Crank Shaft Crank Roller and Screw Stud Nut for 1940 |
| 1520r | 1712 | Feed Bar Bell Crank Connecting Link Hinge Screw Nut |
| 1520r | 1712 | Feed Connecting Rod Hinge Screw Nut |

| No. | Plate | |
|-------|-------|---|
| 1520r | 1712 | Feed Regulator Connecting Link Hinge Screw Nut |
| 1520r | 1712 | Looper (lower) Carrier Pitman Hinge Screw (right) Nut |
| 1520r | 1712 | Looper (upper) Carrier Bell Crank Connecting Link Hinge Screw Nut |
| 1560c | 1712 | Tension Regulating Thumb Nut for 44209 |
| 1655c | 1712 | Looper (upper) Carrier Hinge Screw Stud Nut |
| 1698c | 1712 | Tension Screw Stud Nut |
| 1718h | 1712 | Looper (upper) Carrier Connecting Link Hinge Screw Nut |
| 1940 | 1712 | Looper (lower) Driving Lever Roller and Screw Stud with 1519e and 22142 |
| 1940 | 1712 | Looper (upper) Rock Shaft Crank (upper) Roller and Screw Stud with 1519e and 22142 |
| 1940 | 1712 | Looper (upper) Driving Crank Shaft Crank Roller and Screw Stud with 1519e and 22142 |
| 2022 | 1703 | Feed Regulator Pin |
| 2022 | 1703 | Looper (upper) Rock Shaft Crank (lower) Pin |
| 2102 | 1703 | Tension Disc |
| 2656 | 1703 | Feeding Foot Spring |
| 4879 | 1709 | Foot Lifter Chain Connecting Link for 4885 |
| 4881 | 1709 | Foot Lifter Treadle for 4885 |
| 4882 | 1709 | Foot Lifter Treadle Shaft for 4885 |
| 4883 | 1709 | Foot Lifter Treadle Spring for 4885 |
| 4884 | 1709 | Foot Lifter Treadle Stand for 4885 |
| 4885 | 1709 | Foot Lifter Treadle, complete, No. 4879, 4881 to 4884 and two Wood Screws, 1 No. 16, for 99067 |
| 6439 | 1709 | Foot Lifter Chain, 36" to 45", with 56864 and 56865 for 99067 |

NOTE: When ordering 6439 give length required.

| | | |
|--------|------|--|
| 7071 | 1706 | Guide Screw Washer |
| 7071 | 1706 | Looper (upper) Screw Washer |
| 8908 | 1710 | Wrench (Accessories) |
| 10148 | 1703 | Tension Spring |
| 12361 | | Machine Hinge Connection (Accessories) |
| 12454 | 1703 | Arm Oil Tube with 132590 |
| 13950 | | Machine Pulley, "V" belt groove, outside diameter of belt groove 2.9", with two 443a1 |
| †16036 | 1702 | Arm Side Cover |
| 16532 | 1703 | Arm Dowel Pin |

† For Two-Tone Machines the finish of these parts is Grey Metallic (Colour Code No. 128).

| No. | Plate | |
|--------|-------|--|
| 22142 | 1706 | Looper (lower) Driving Lever Roller and Screw Stud Nut Washer for 1940 ... |
| 22142 | 1706 | Looper (upper) Rock Shaft Crank (upper) Roller and Screw Stud Nut Washer for 1940 ... |
| 22142 | 1706 | Looper (upper) Driving Crank Shaft Crank Roller and Screw Stud Nut Washer for 1940 ... |
| 27739 | - | Thread Unwinder Thread Cone (wood) <i>(only supplied when specified on order and at an extra charge)</i> |
| 37023 | 1704 | Presser Bar ... |
| 37025 | 1703 | Presser Bar Spring Extension Pin ... |
| 37152 | 1707 | Needle Bar Bushing (lower) ... |
| 37152 | 1707 | Needle Bar Bushing (upper) ... |
| 37408 | 1708 | Presser Bar Spring ... |
| 41544 | 1707 | Feed Regulating Screw Stud Washer ... |
| 43840 | 1706 | Looper (lower) Driving Lever Hinge Pin Collar with two 624c ... |
| 44209 | - | Tension Screw Stud 916c with 4560c ... |
| 50053d | 1712 | Arm Side Cover Thumb Screw ... |
| 50083c | 1712 | Looper (lower) Driving Lever Set Screw for 99035 ... |
| 50302f | 1712 | Hook Needle Set Screw ... |
| 50393c | 1712 | Foot Lifter Lifting Lever Stop Screw for 99067 ... |
| 50443c | 1712 | Looper (upper) Rock Shaft Crank (upper) Clamping Screw for 99044 ... |
| 50443c | 1712 | Looper (upper) Driving Crank Shaft Crank Clamping Screw for 99047 ... |
| 50458c | 1712 | Looper (lower) Carrier Pitman Hinge Screw (left) ... |
| 50459c | 1712 | Feeding Foot Hinge Screw ... |
| 50562c | 1712 | Feed Regulator Connecting Link Hinge Screw ... |
| 52063 | 1704 | Machine Pulley Oil Cover ... |
| 52195 | 1703 | Arm Shaft Bushing (front) ... |
| 53081 | 1709 | Foot Lifter Lifting Lever Spring for 99067 ... |
| 56006 | - | Arm Shaft Bushing (back) Oil Pad (braided cotton) ... |
| 56006 | - | Arm Shaft Bushing (front) Oil Pad (braided cotton) ... |
| 56864 | 1709 | Foot Lifter Chain Hook (large) for 6439 ... |
| 56865 | 1709 | Foot Lifter Chain Hook (small) for 6439 ... |
| 64520 | 1706 | Looper (lower) Carrier Hinge Stud ... |
| 66593 | 1708 | Presser Bar Lifter Hinge Stud ... |
| 68547 | 1710 | Wrench ... (Accessories) |
| 82538 | 1706 | Guide Holder Screw Washer ... |
| 82538 | 1706 | Hook Needle Guide Screw Washer ... |

| No. | Plate | |
|--------|-------|--|
| 82538 | - | Thread Unwinder Spool Pin Washer for 225259 ... |
| 86720 | 1710 | Oiler ... (Accessories) |
| 91013 | - | Drip Pan ... |
| †99001 | - | Arm ... |
| 99002 | 1704 | Arm Shaft ... |
| 99003 | 1703 | Arm Shaft Bushing (back) ... |
| *99004 | - | Bed ... |
| 99005 | 1702 | Bed Cover ... |
| †99006 | 1702 | Face Plate ... |
| †99007 | 1702 | Feed Bar ... |
| 99008 | 1708 | Feed Bar Bell Crank ... |
| 99009 | 1708 | Feed Bar Bell Crank Connecting Link ... |
| †99011 | 1708 | Feed Bar Guide ... |
| †99012 | 1708 | Feed Bar Rocking Frame with 453c ... |
| 99013 | 1708 | Feed Bar Rocking Frame Hinge Pin ... |
| 99014 | 1703 | Feed Cam with 1036c and 4375c ... |
| 99015 | 1703 | Feed Connecting Rod with 99016 and two 896c ... |
| *99016 | - | Feed Connecting Rod Cap for 99015 ... |
| 99017 | 1705 | Feeding Foot Extension (3 teeth) for $\frac{1}{2}$ " gauge ... |
| 99018 | 1705 | Feeding Foot Extension (3 teeth) for $\frac{3}{8}$ " gauge ... |
| †99019 | 1702 | Feed Regulator with 4425d ... |
| 99020 | 1703 | Feed Regulator Connecting Link ... |
| 99021 | 1707 | Feed Regulator Shaft ... |
| 99022 | 1702 | Feed Regulator Shaft Crank (forked) ... |
| 99023 | - | Feed Regulator Shaft Crank Oil Pad (felt) ... |
| 99024 | 1705 | Feeding Foot ... |
| 99025 | 1707 | Guide (for Hem) $\frac{1}{2}$ " gauge ... |
| 99026 | - | Guide (for Hem) $\frac{3}{8}$ " gauge ... |
| 99027 | 1702 | Guide Holder ... |
| 99028 | 1705 | Hook Needle ... |
| 99029 | 1708 | Hook Needle Clamp ... |
| 99030 | 1708 | Hook Needle Closing Block ... |
| 99031 | 1707 | Hook Needle Guide ... |
| 99032 | 1705 | Looper (lower) ... |
| 99033 | 1706 | Looper (lower) Carrier with 460c and two 1447c ... |
| 99034 | 1704 | Looper (lower) Carrier Pitman ... |
| 99035 | 1704 | Looper (lower) Driving Lever with 50083c ... |
| 99036 | 1704 | Looper (lower) Driving Lever Hinge Pin ... |
| 99037 | 1706 | Looper (upper) ... |
| 99039 | 1706 | Looper (upper) Carrier Connecting Link ... |
| 99041 | - | Looper (upper) Carrier Bell Crank Connecting Link ... |
| 99042 | 1704 | Looper (upper) Rock Shaft ... |

† For Two Tone Machines the finish of these parts is Grey Metallic (Colour Code No. 728).

| No. | Plate | |
|--------|-------|---|
| 99043 | 1706 | Looper (upper) Rock Shaft Crank (lower) |
| 99044 | 1706 | Looper (upper) Rock Shaft Crank (upper) with two 50443c |
| †99045 | 1707 | Looper (upper) Driving Crank with 1036c and 1259c |
| 99046 | 1704 | Looper (upper) Driving Crank Shaft |
| †99047 | 1707 | Looper (upper) Driving Crank Shaft Crank with two 50443c |
| 99048 | 1704 | Looper Cam with 1036c and 1375c |
| 99049 | 1704 | Needle Bar with 857c |
| 99050 | 1706 | Needle Bar Cam with 490c and two 1057c |
| 99051 | 1702 | Needle Bar Crank and Feed Lifting Eccentric with SS498c |
| 99052 | 1705 | Needle Thread Guard |
| 99053 | 1708 | Presser Bar Guide Bracket with two 1057c |
| 99054 | 1708 | Presser Bar Lifter |
| 99055 | 1705 | Presser Foot |
| 99056 | 1707 | Tension Bracket |
| 99057 | 1705 | Throat Plate |
| 99058 | 1705 | Throat Plate Thread Retainer |
| 99059 | 1704 | Foot Lifter Lifting Lever for 99067 |
| 99060 | 1705 | Feeding Foot Extension (3 teeth) for $\frac{3}{4}$ " gauge |
| 99061 | 1705 | Feeding Foot Extension (2 teeth) for $\frac{3}{4}$ " gauge |
| 99062 | 1705 | Feeding Foot Extension (2 teeth) for $\frac{1}{2}$ " gauge |
| 99063 | 1707 | Guide (plain) |
| 99064 | 1706 | Looper (upper) Carrier |
| 99065 | 1706 | Looper (upper) Carrier Bell Crank |
| 99066 | 1706 | Looper (upper) Carrier Hinge Screw Stud Collar with 220c |
| 99067 | -- | Foot Lifter, complete, Nos. 694d, 4885, 6439, 50393c, 53081 and 99059 |

| No. | Plate | |
|-------------|-------|---|
| 109784(805) | | Feed Connecting Rod Cap Screw for 99015 |

† For Two-Tone Machines the finish of these parts
is Grey Metallic (Colour Code No. 728).

| No. | Plate | |
|---------|-------|---|
| 120440 | 1710 | Screw Driver (Accessories) |
| 132590 | --- | Arm Oil Tube Packing (felt) for 12454 ... |
| 150203 | --- | Thread Unwinder Spool Rest Cushion (felt) for 225260 |
| 200383c | 1712 | Thread Unwinder Spool Rest Rod Set Screw for 202490 |
| 201018c | 1712 | Thread Unwinder Spool Rest Set Screw for 225259 |
| 201528h | --- | Thread Unwinder Spool Pin Nut for 225259 |
| 201696j | 1712 | Thread Unwinder Thread Guide Lock Nut for 225260 |
| 202490 | 2212 | Thread Unwinder Spool Stand with 200383c for 225260 |
| 225259 | 2212 | Thread Unwinder Spool Rest with 82538, 201018c, 201528h and 228692 for 225260 |
| 225260 | 2212 | Thread Unwinder (for one spool of thread), complete, Nos. 150203, 201696j, 202490, 225259, 225324, 225326, 225388, 225391 and three Wood Screws $\frac{3}{8}$ " No. 12 ... |
| 225322 | --- | Thread Unwinder Thread Guide Rod Washer for 225324 |
| 225324 | 2212 | Thread Unwinder Thread Guide Rod with 208c and 225322 for 225260 ... |
| 225326 | --- | Thread Unwinder Thread Guide Position Cup for 225260 |
| 225388 | 2212 | Thread Unwinder Spool Rest Rod for 225260 |
| 225391 | 2212 | Thread Unwinder Thread Guide for 225260 |
| 228692 | --- | Thread Unwinder Spool Pin for 225259 ... |