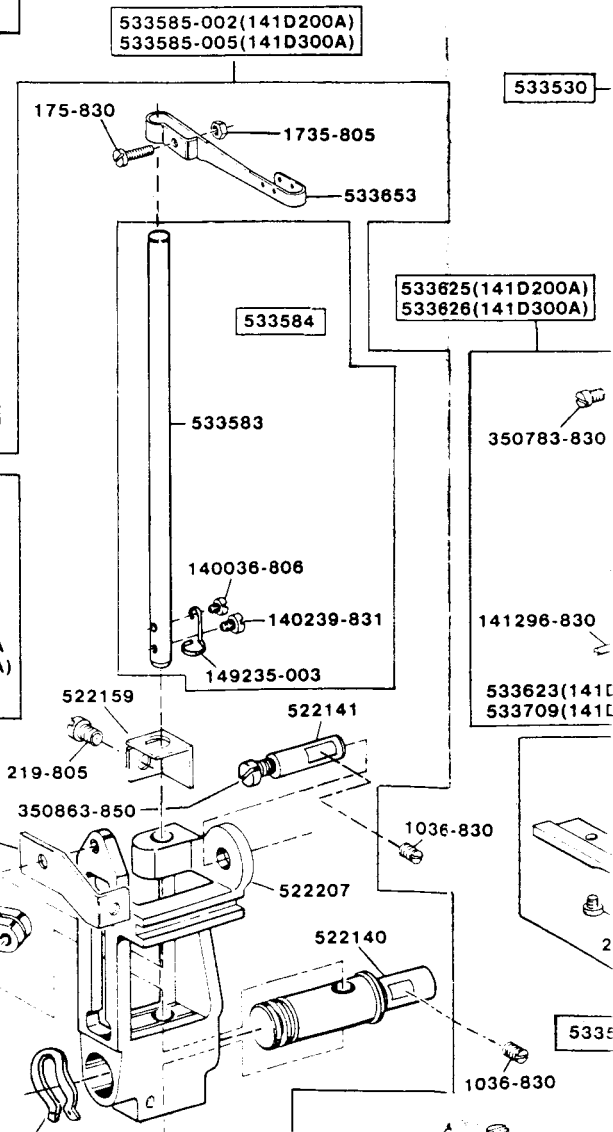
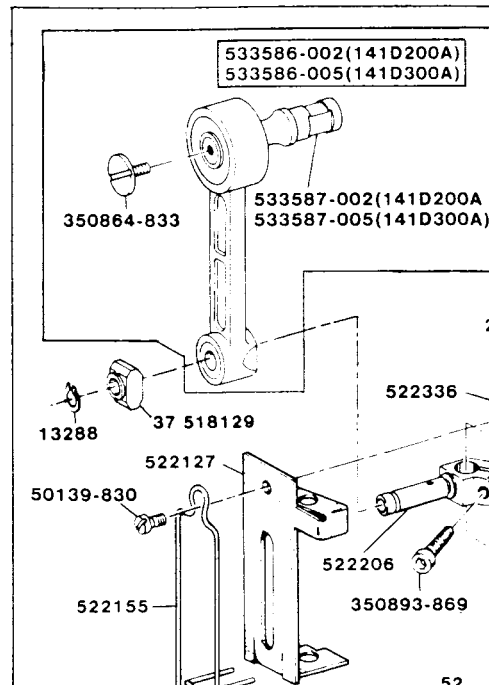
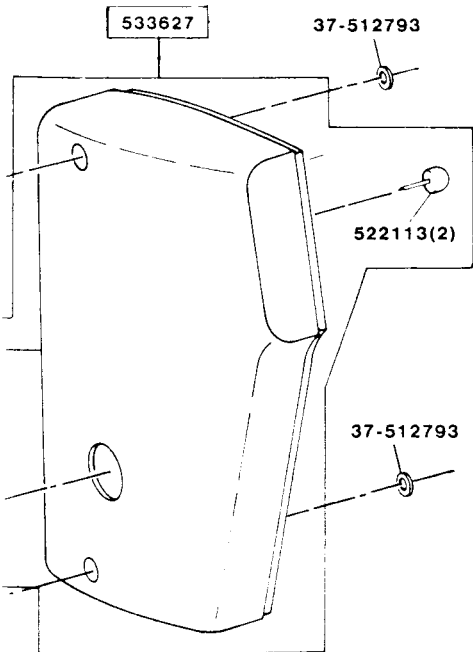
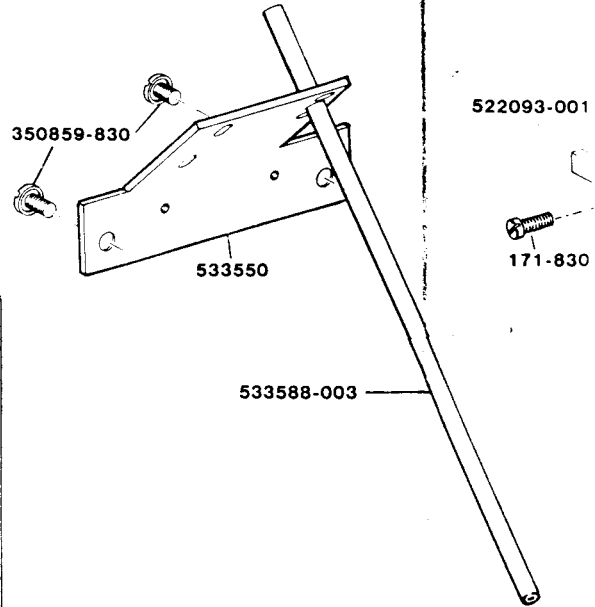
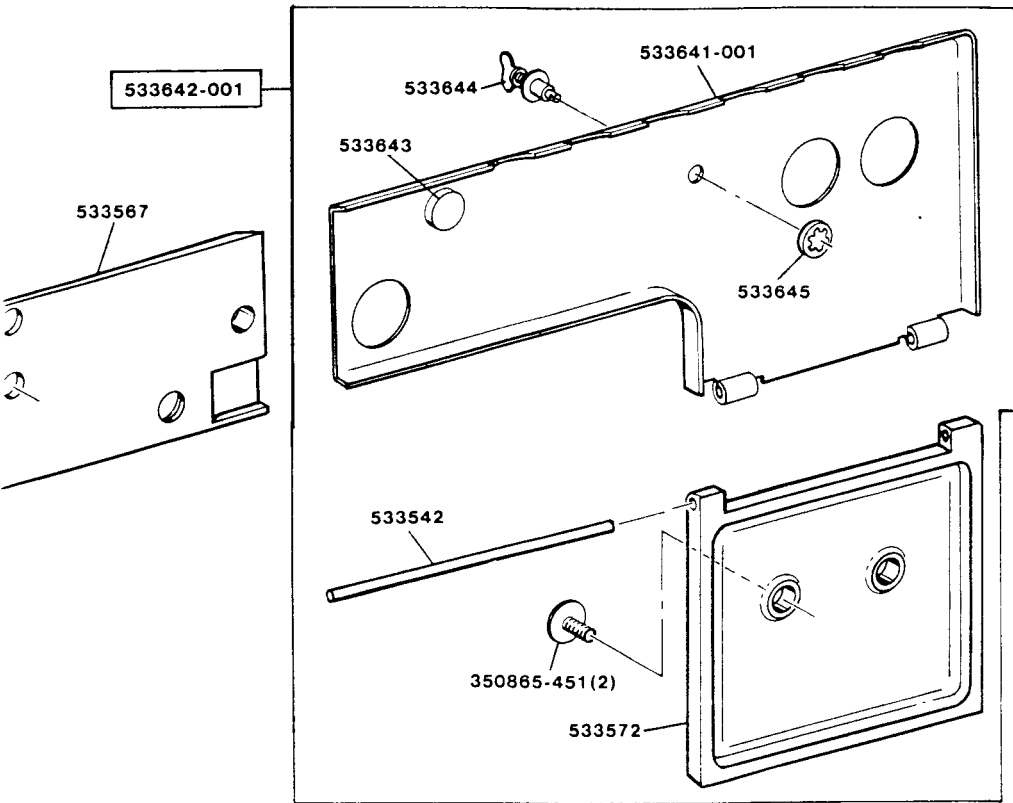
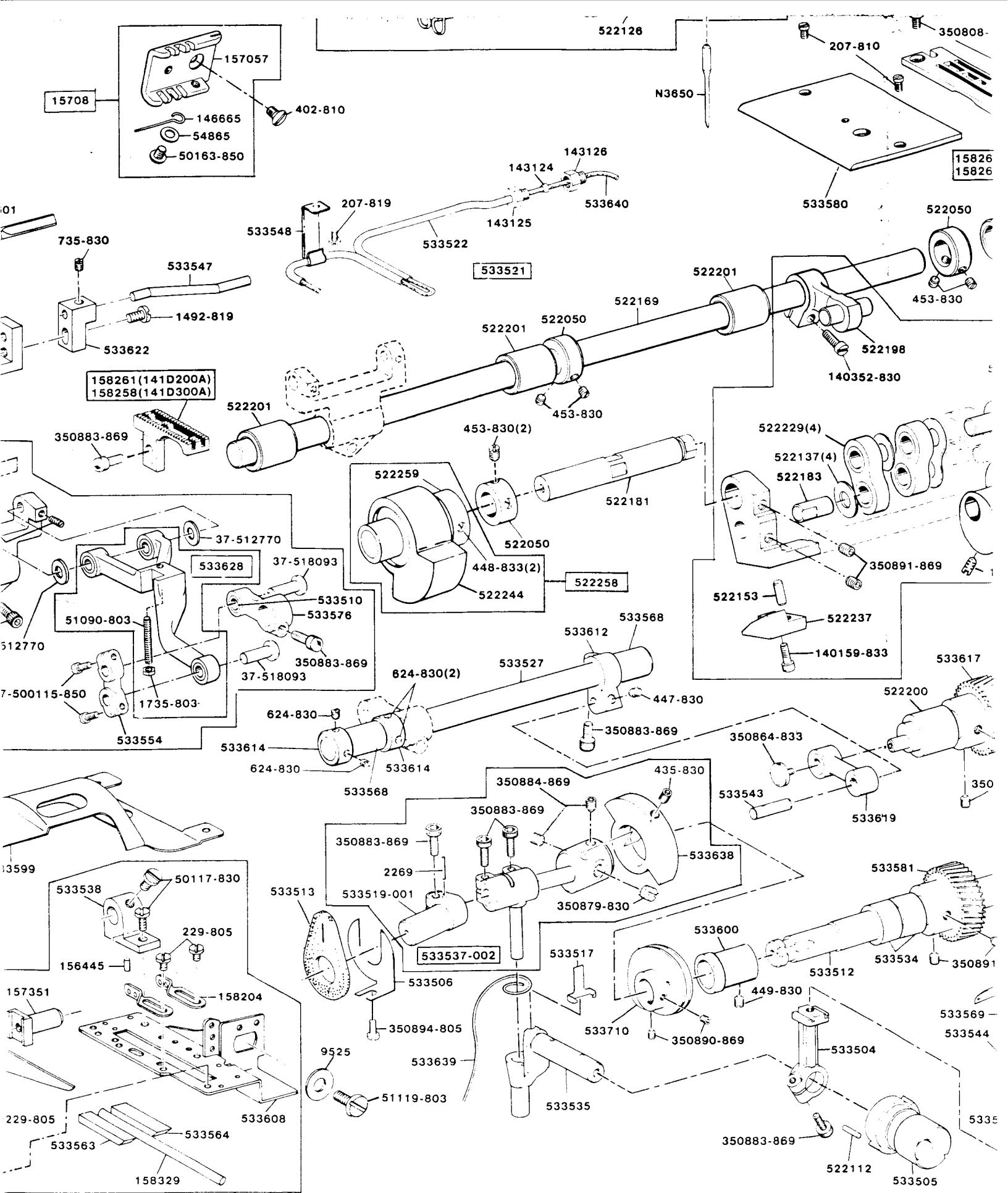


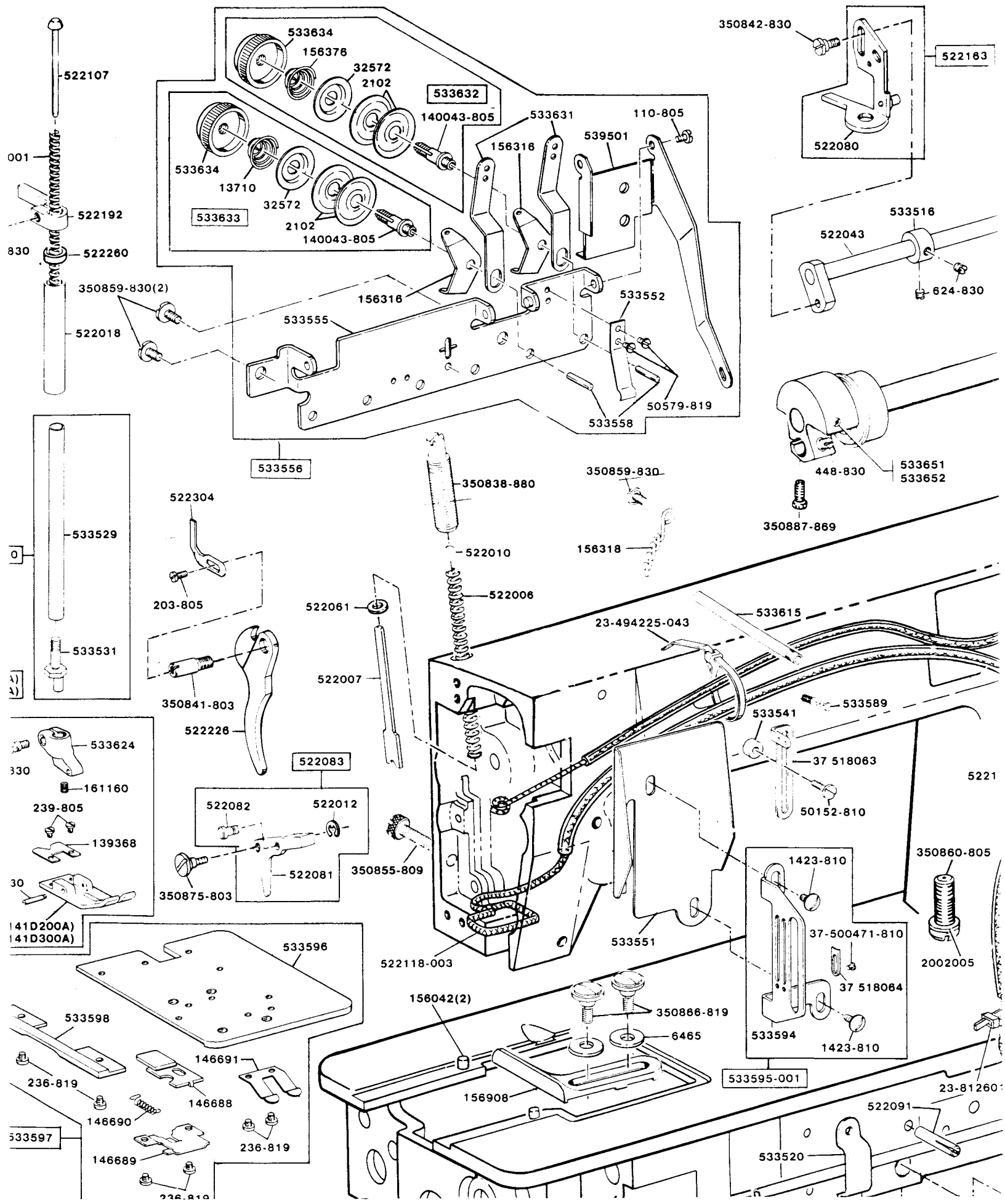
SINGER
141D200A,D300A

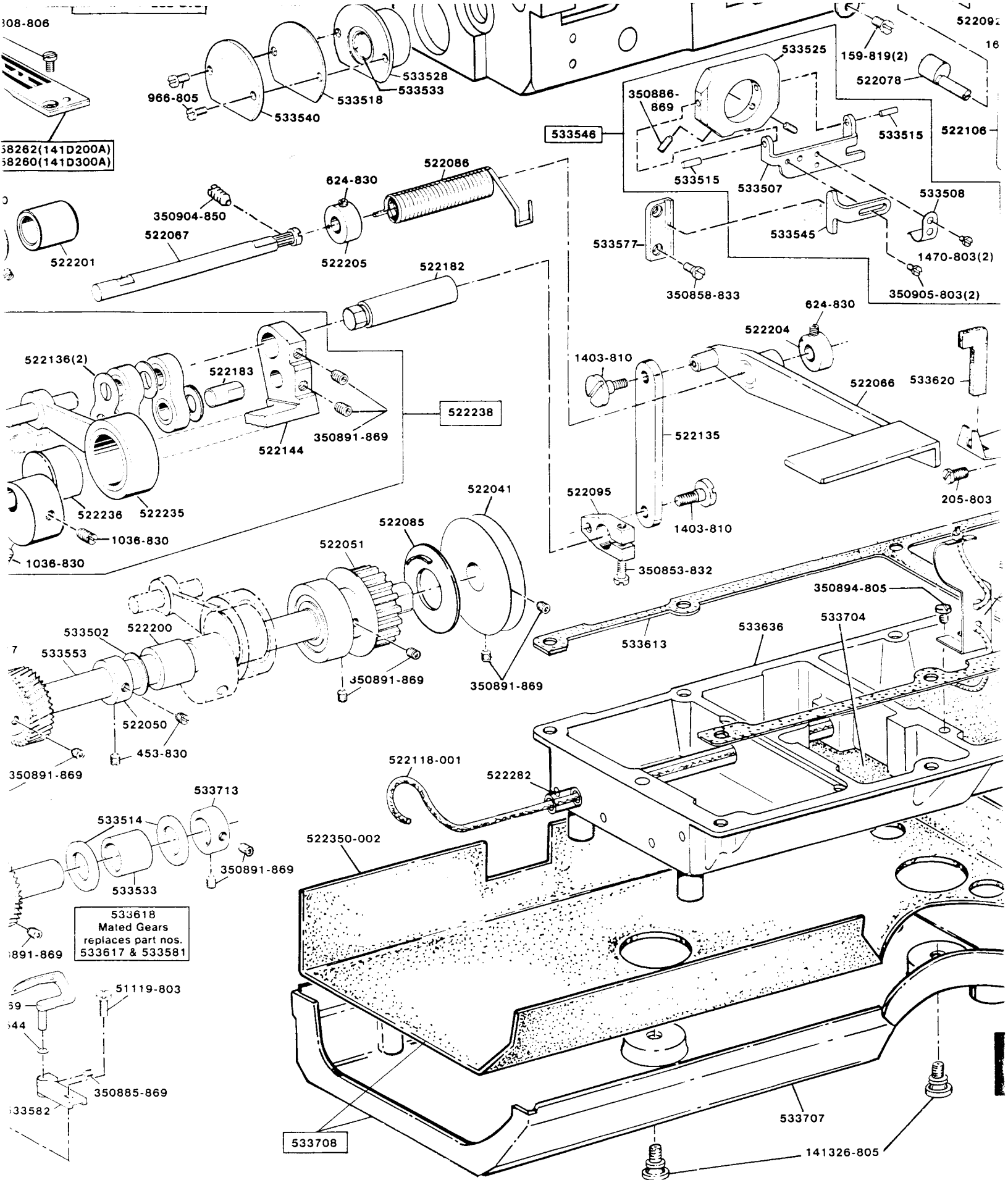
SINGER^{*}

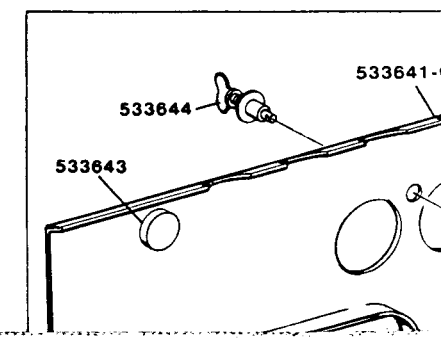
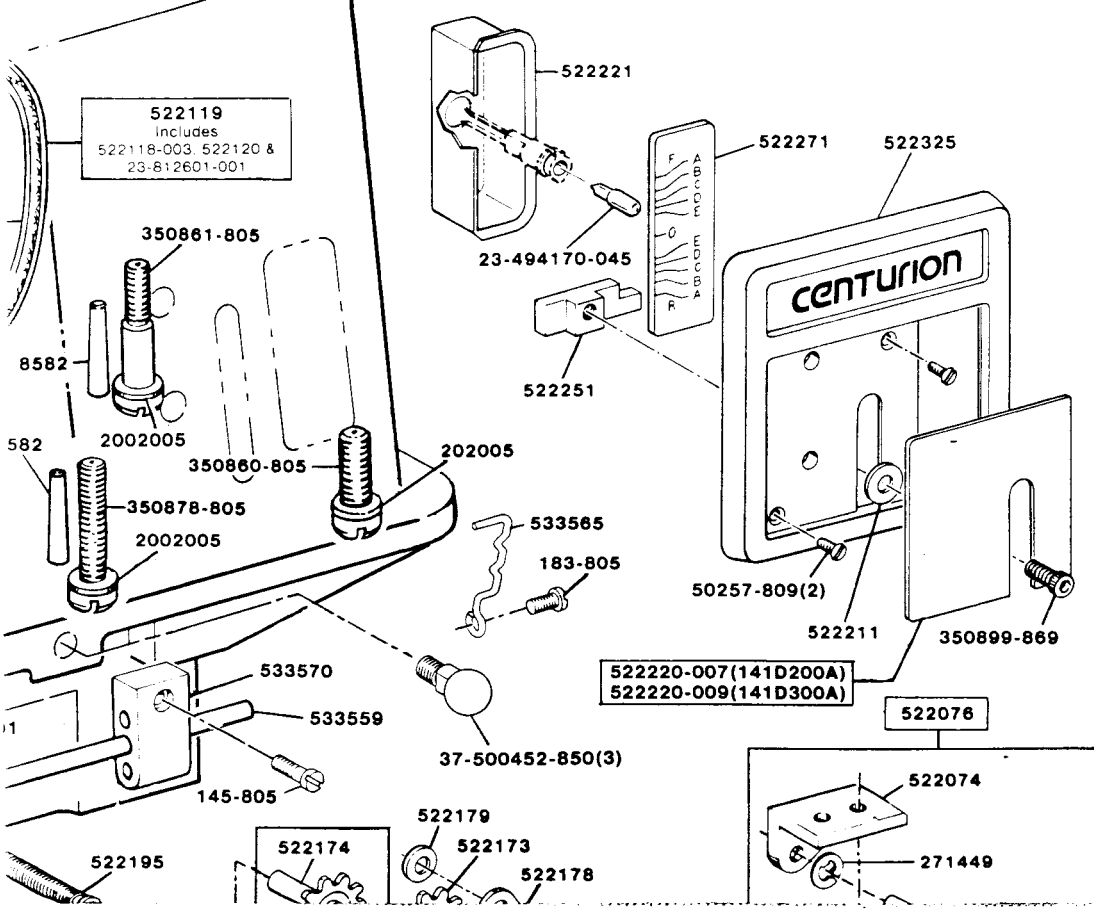
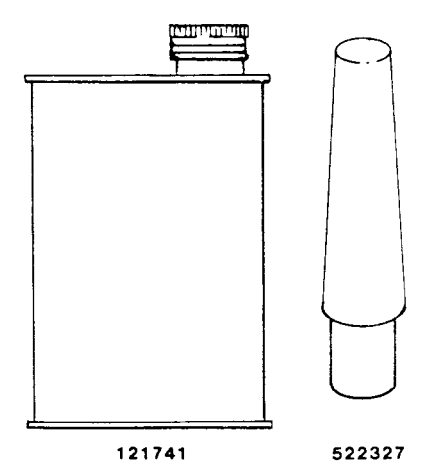
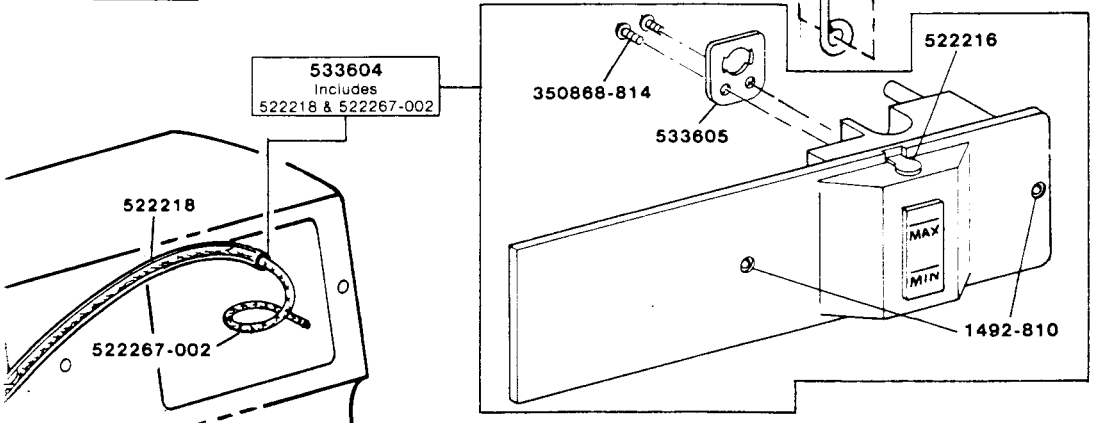
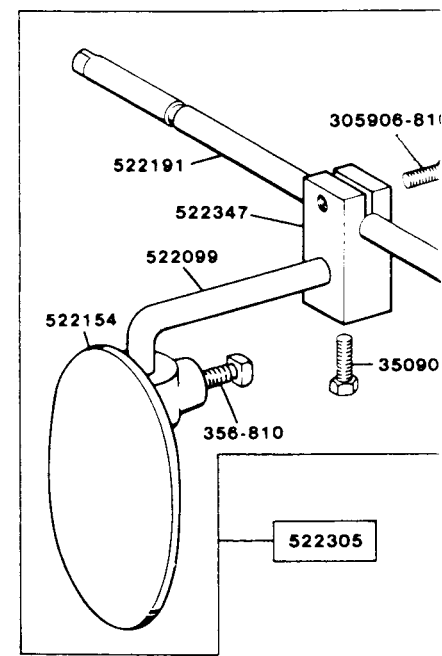
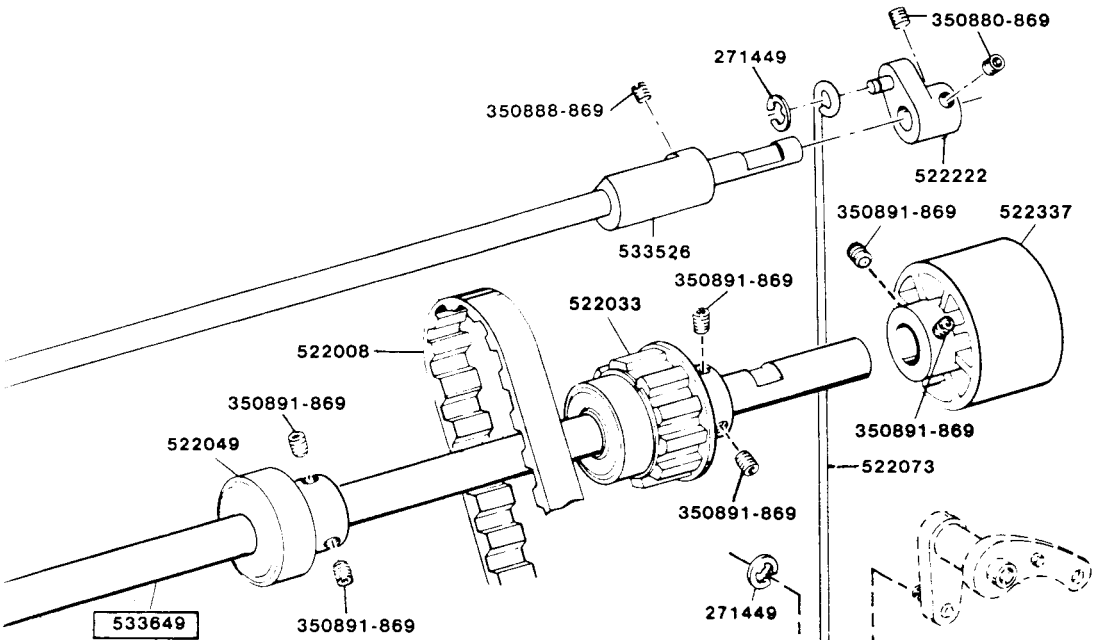
D200A & 141D300A

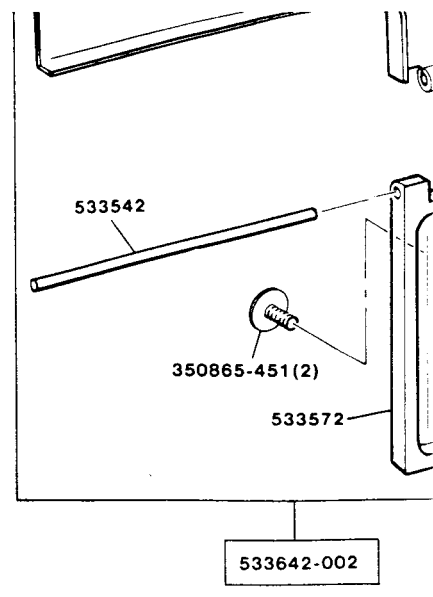
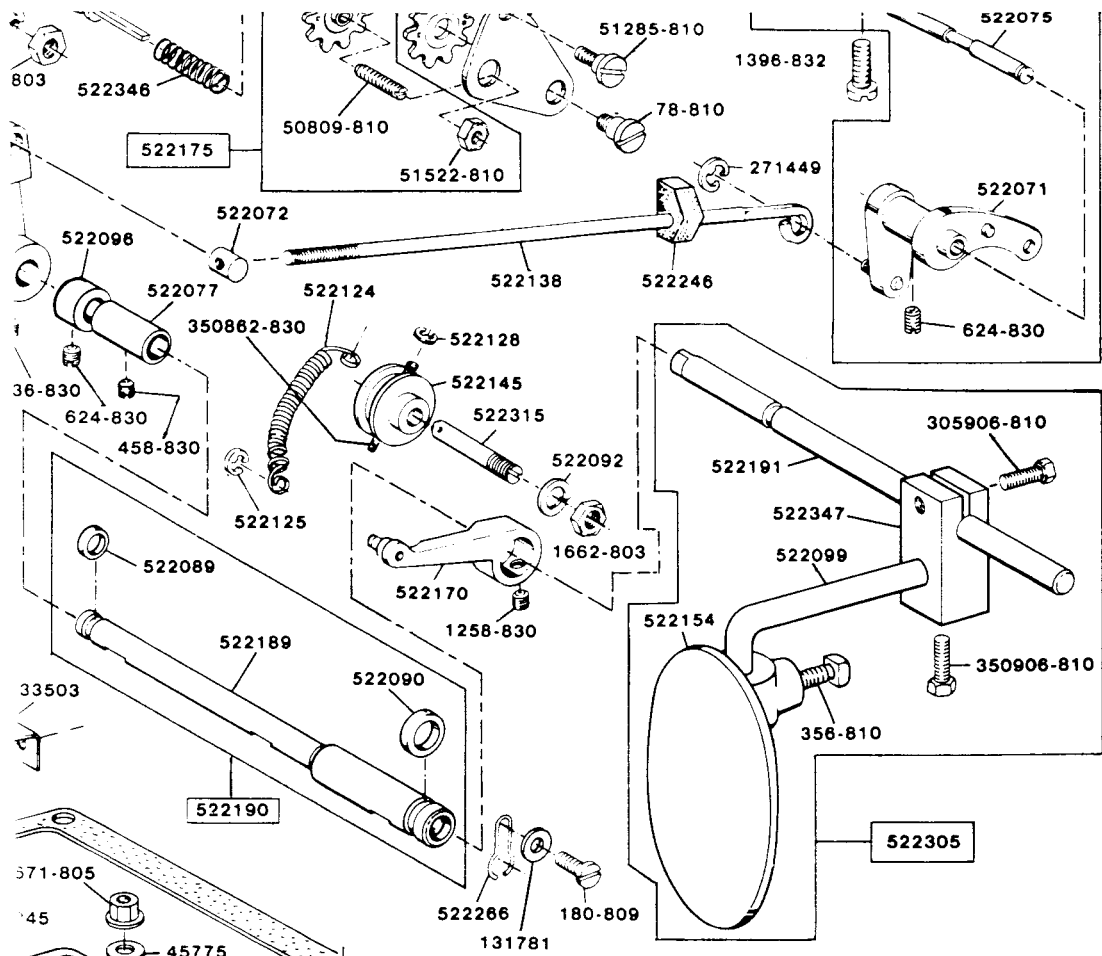




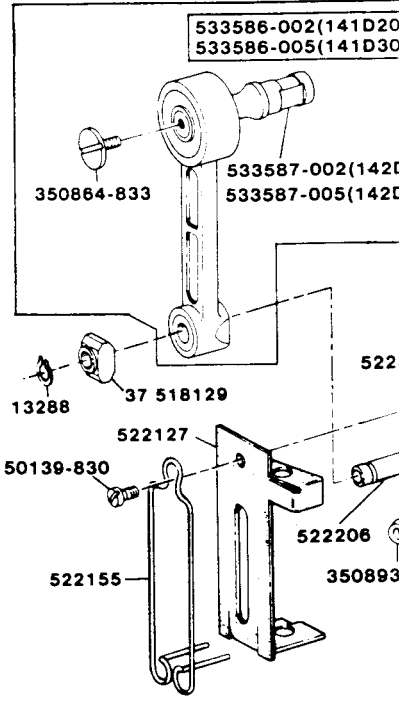
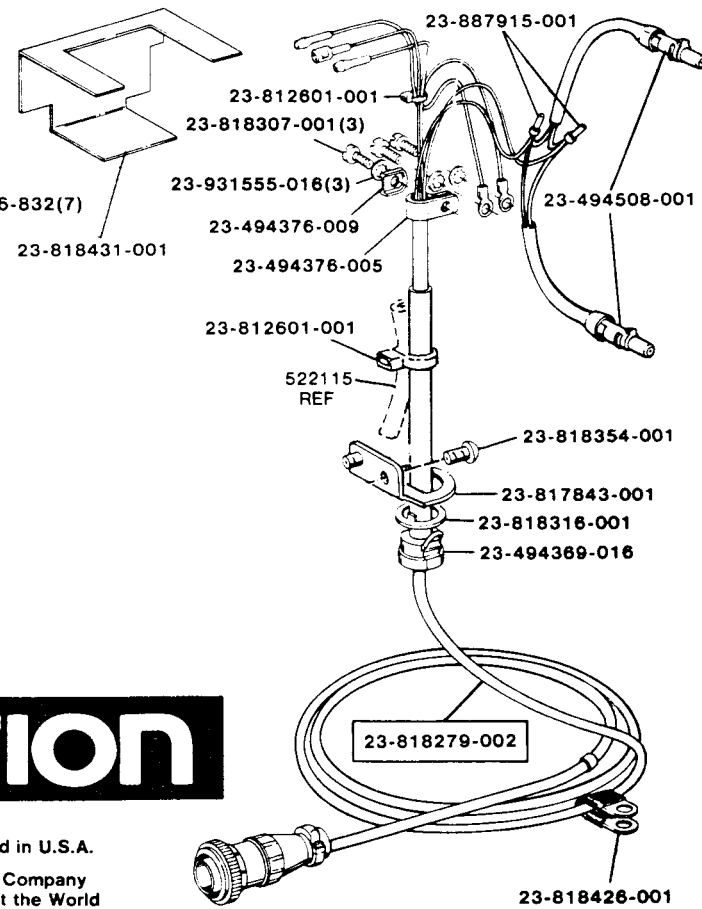
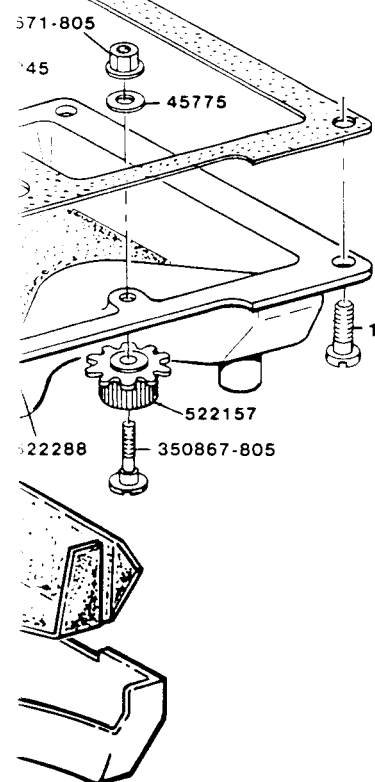
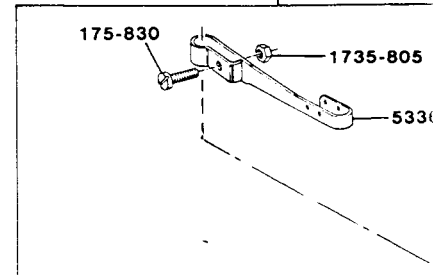






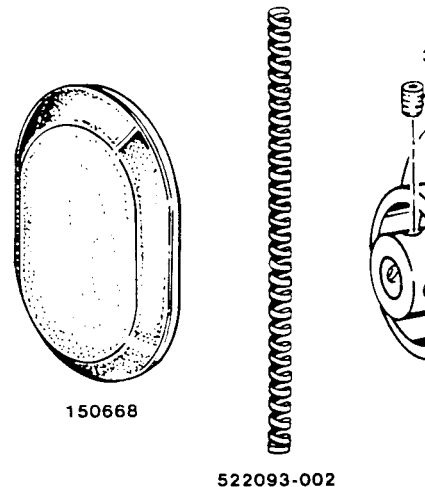
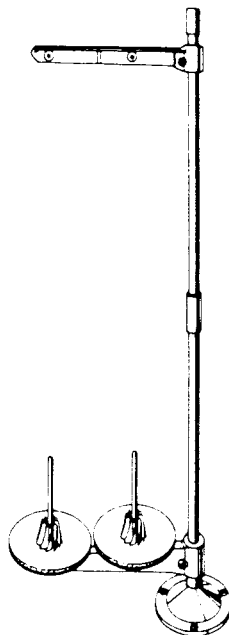
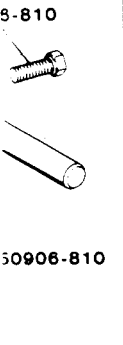
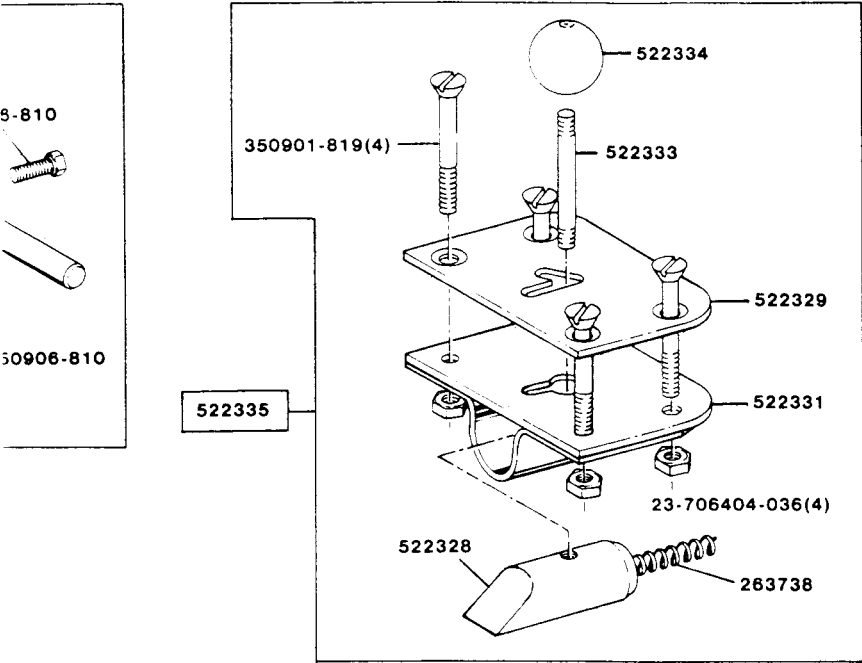


533660-002(142D200A)
533660-003(142D300A)



CENTURION

Form 21644(Rev.777) Printed in U.S.A.
Copyright © 1976 The Singer Company
All Rights Reserved Throughout the World
A Trademark of THE SINGER COMPANY



522354
THREAD STAND FOR
141D200A & 141D300A

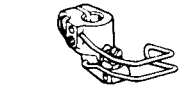
37-518558
FINGER GUARD FOR
141D200A & 141D300A

13-21644
PICTORIAL PARTS LIST

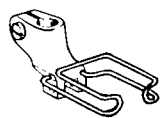
13-21695
OPERATORS GUIDE

13-21633
SERVICE MANUAL

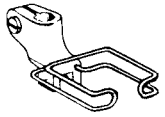
13-21710
CAUTION CARD



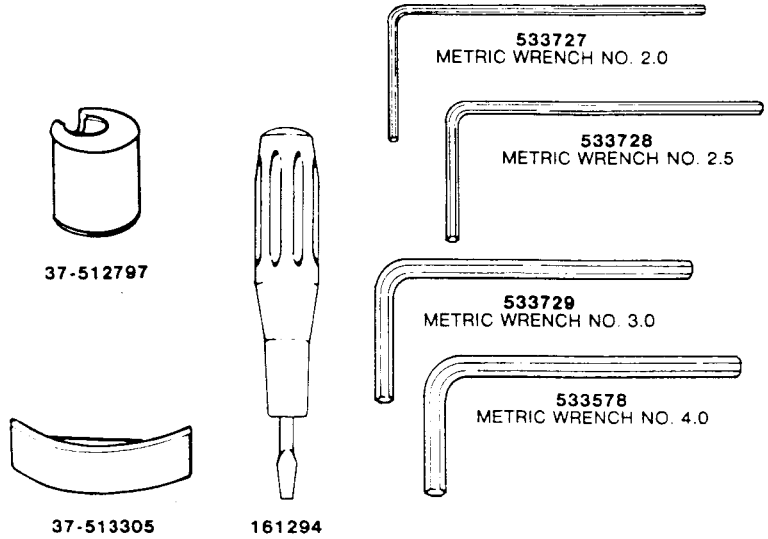
37-518556
FINGER GUARD FOR
141D200A & 141D300A



533672
FINGER GUARD FOR
142D200A & 142D300A



533674
FINGER GUARD FOR
142D200A & 142D300A



N-3650 SIZE 16
NEEDLE FOR
141D200A & 142D200A

N-3650 SIZE 19
NEEDLE FOR
141D300A & 142D300A

ACCESSORIES

OPTIONAL

142D200A & 142D300A

