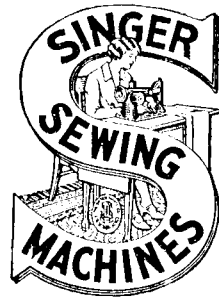


**SINGER**  
**107W13**

# LIST OF PARTS



## MACHINE No. 107w13

THE SINGER MANUFACTURING COMPANY

## INDEX

|                                      | PAGE |
|--------------------------------------|------|
| ACCESSORIES .....                    | 17   |
| BOBBIN WINDER .....                  | 17   |
| KNEE LIFTER .....                    | 18   |
| MACHINE No. 107w13 .....             | 7    |
| MISCELLANEOUS PARTS .....            | 19   |
| NUMERICAL LIST OF PARTS .....        | 21   |
| PARTS FOR AIR TUCKING ON RAYON ..... | 19   |

# Instructions for Ordering

In ordering from this list, use **ONLY** the **PART** number in the **FIRST** column.

The number stamped on a Sewing Machine Part is the number of the Single Part only, except when the part includes Set Screws, Clamping Screws, Studs and Rollers Spun on, Small Wires riveted, or Parts soldered together, etc., which it is necessary to furnish in combination.

Every combination of parts sent out has its specific number which, although not stamped on Parts (except in above case), must be used when ordering the combination.

Each number always indicates the **SAME PART** in whatever list it appears, or for whatever Machine.

The letters after some of the numbers indicate the style of finish only, as follows:

- A. Hardened, Polished and Plated.
- B. Polished and Plated.
- C. Hardened only.
- D. Polished only.
- E. Soft, not polished.
- F. Hardened and Polished.
- H. Blued.
- J. Nickel Plated only
- R. Merlized.
- Y. Black Nickel Plated only.

These letters **MUST BE USED** when they appear in the list and **AFTER** the number, as in the list.

**In this series**

- 200001 to 201500 and 350001 to 351500 are Screw Numbers.
- 201501 to 201800 and 351501 to 351800 are Nut Numbers.
- 201801 to 202000 and 350001 to 352000 are Roller Numbers.
- 202001 to 350000 are Numbers of Machine Parts.

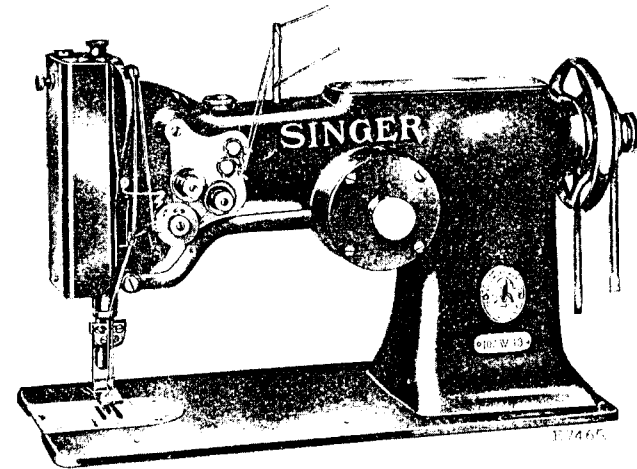
The figures in the second column refer only to the plate in which the illustration of the part is shown and are **NOT TO BE USED** in ordering.

Two or more numbers over a cut indicate that the difference between such parts is not visible in an illustration.

Parts marked with an asterisk (\*) are furnished only when repairs are made at the factory.

## LIST OF PARTS COMPLETE

FOR



## MACHINE No. 107w13

HIGH SPEED. TWO NEEDLE ZIG ZAG

For Straight and Zig Zag Air Tucking and Cording  
 Needle Holder adjustable from  $\frac{3}{16}$  to  $\frac{5}{16}$  inch

| No.     | Plate | Name  |
|---------|-------|---|
| *242101 | ---   | Arm .....   |
| 242102  | 15284 | " Cap .....                                       |
| 200278H | 10755 | " " Screw .....                                   |
| 20224S  | 10755 | " " Washer .....                                  |
| 204235  | 10755 | " Position Pin (2) .....                          |
| 200010E | 10755 | " Screw (3) .....                                 |
| 201005  | 10755 | " " Washer (3) .....                              |
| 202249  | 10753 | " Shaft with 200357E and 203100 .....             |
| 202243  | 10753 | " " Bushing (back) with 202244 .....              |
| 202244  | ---   | Arm Shaft Bushing (back) Oil Packing (wick) ..... |
| 200338C | 10755 | Arm Shaft Bushing (back) Set Screw .....          |
| 207080  | 15284 | Arm Shaft Bushing (front) with 202244 .....       |

| No.     | Plate | Name   |
|---------|-------|--|
| 202244  | —     | Arm Shaft Bushing (front) Oil Packing (wick) .....                         |
| 200502B | 10755 | Arm Shaft Bushing (front) Oil Packing Thumb Screw .....                    |
| 200341c | 10755 | Arm Shaft Bushing (front) Set Screw .....                                  |
| 210503  | 10753 | Arm Shaft Connection Belt .....  |
| 202635  | 10753 | " " " " Pulley with 200327c, 200602E and two 202253 .....                  |
| 200602E | 10755 | Arm Shaft Connection Belt Pulley Position Screw .....                      |
| 200327c | 10755 | Arm Shaft Connection Belt Pulley Set Screw .....                           |
| 202253  | 10757 | Arm Shaft Connection Belt Pulley Spring Flange .....                       |
| 203100  | —     | Arm Shaft Oil Packing (wick) ...   |
| 200357E | 10755 | " " " " Stop Screw .....   |
| 202255  | 10752 | Balance Wheel (belt groove 2 1/2 in. diam.) with 200328c and 200335c ..... |
| 200328c | 10755 | Balance Wheel Position Screw ...   |
| 200335c | 10755 | " " Set Screw .....  |
| *210504 | —     | Bed .....  |
| 202258  | 12345 | " Hinge Connection (2) .....   |
| 200570E | 10755 | " " " Screw (4) ....   |
| 210505  | 15284 | " Plate (back) .....   |
| 200577H | 10755 | " " " Screw (2) .....  |
| 210616  | 15284 | " Slide (front) .....  |
| 210530  | 15283 | Bobbin .....   |
| 210846  | 15283 | " Case Base .....  |
| 242103  | 15283 | " " Cap with 200592c, 201016E and 242105 .....                             |
| 242104  | —     | Bobbin Case Cap complete, Nos. 200964E, 210736, 210914 and 242103 .....    |
| 210913  | 15283 | Bobbin Case Latch .....  |
| 210914  | 15283 | " " " 210913 with 210734 and 210735 .....                                  |
| 210735  | 15283 | Bobbin Case Latch Fulcrum Pin ..   |
| 210734  | 15283 | " " " Lever .....  |
| 210736  | 15283 | " " " Spring .....   |
| 200964E | 15283 | " " " Stop Screw ....  |
| 210764  | 15283 | " " Stop .....   |
| 200076D | 15283 | " " " Screw .....  |
| 242105  | 15283 | " " Tension Spring .....   |
| 201016E | 15283 | " " " " Regulating Screw .....   |
| 200592c | 15283 | Bobbin Case Tension Spring Screw .....                                     |
| 242106  | —     | Bobbin Case complete, Nos. 210846 and 242104 .....                         |

| No.     | Plate | Name   |
|---------|-------|--|
| 210681  | 15284 | Face Plate .....   |
| 202135  | 10755 | " " Position Pin .....   |
| 200462B | 10755 | " " Thumb Screw .....  |
| 210512  | 15286 | Feed Bar .....   |
| 210513  | —     | " " 210512 with 200641c, 201522E and 202623 .....  |
| 200641c | 10755 | Feed Bar Hinge Screw (driving) ..  |
| 201522E | 15283 | " " " " Nut .....  |
| 202276  | 10760 | " " Slide Block .....  |
| 210514  | 10760 | " " " " Crank with 200035E .....   |
| 210515  | 10760 | Feed Bar Slide Block Crank 210514 with 200253D, 201531E and 202276 .....                         |
| 200035E | 10760 | Feed Bar Slide Block Crank Pinch Screw .....   |
| 200253D | 15283 | Feed Bar Slide Block Hinge Screw .....   |
| 201531E | 10760 | " " " " " " Nut .....  |
| 210518  | 15283 | Feed Dog .....   |
| 200106E | 10755 | " " Screw (2) .....  |
| 202297  | 10752 | " Driving Connection with 200054E and 202277 .....   |
| 202624  | 10760 | Feed Driving Connection Crank with 200038c .....   |
| 200038c | 10760 | Feed Driving Connection Crank Pinch Screw .....  |
| 200545c | 10760 | Feed Driving Connection Hinge Screw .....  |
| 201518E | 10755 | Feed Driving Connection Hinge Screw Nut .....  |
| 202277  | —     | Feed Driving Connection Oil Packing (wick) .....   |
| 200054E | 10755 | Feed Driving Connection Pinch Screw .....  |
| 202300  | 10753 | Feed Driving Eccentric Regulating Bracket .....  |
| 203098  | 10753 | Feed Driving Eccentric Regulating Bracket 202300 with 202635, two each 201014c and 201525E ..... |
| 201014c | 15283 | Feed Driving Eccentric Regulating Bracket Hinge Screw .....                                      |
| 201525E | 10755 | Feed Driving Eccentric Regulating Bracket Hinge Screw Nut .....                                  |
| 202301  | 10755 | Feed Driving Eccentric Regulating Bracket Plunger .....  |
| 202595  | 10755 | Feed Driving Eccentric Regulating Bracket Plunger Spring .....                                   |
| 200607c | 10755 | Feed Driving Eccentric Regulating Bracket Plunger Spring Stop Screw .....                        |

| No.     | Plate | Name   |
|---------|-------|--|
| 201014c | 15283 | Feed Driving Eccentric Regulating Bracket Stop Screw .....       |
| 201525E | 10755 | Feed Driving Eccentric Regulating Bracket Stop Screw Nut .....   |
| 200429c | 10755 | Feed Driving Eccentric Regulating Screw .....                    |
| 200383c | 10755 | Feed Driving Eccentric Regulating Screw Check Screw .....        |
| 202623  | 10752 | Feed Driving Rock Shaft .....                                    |
| 202625  | 10760 | " " " " Stop Collar with two 200383c (2) .....                   |
| 200383c | 10755 | Feed Driving Rock Shaft Stop Collar Set Screw .....              |
| 202306  | 10752 | Feed Lifting Connection with 200054E and 202277 .....            |
| *210645 | ---   | Feed Lifting Connection Crank                                    |
| 210589  | 10760 | " " " " " 210645 with 200050c and 200378c                        |
| 200050c | 10760 | Feed Lifting Connection Crank Pinch Screw .....                  |
| 200378c | 10760 | Feed Lifting Connection Crank Set Screw .....                    |
| 202307  | 10760 | Feed Lifting Connection Eccentric with 200382c and 200437c ..... |
| 200437c | 10760 | Feed Lifting Connection Eccentric Position Screw .....           |
| 200382c | 15283 | Feed Lifting Connection Eccentric Set Screw .....                |
| 200545c | 10760 | Feed Lifting Connection Hinge Screw .....                        |
| 201518E | 10755 | Feed Lifting Connection Hinge Screw Nut .....                    |
| 202277  | ---   | Feed Lifting Connection Oil Packing (wick) .....                 |
| 200054E | 10755 | Feed Lifting Connection Pinch Screw .....                        |
| 210531  | 10752 | Feed Lifting Rock Shaft (hollow) and Hook Driving Shaft Bearing  |
| 202625  | 10760 | Feed Lifting Rock Shaft Stop Collar with two 200383c .....       |
| 200383c | 10755 | Feed Lifting Rock Shaft Stop Collar Set Screw .....              |
| 202310  | 10753 | Feed Regulating Spindle with 202311, 202443 and 202619 .....     |
| *202311 | ---   | Feed Regulating Spindle Head ....                                |
| 202443  | 15283 | " " " " Pin  |
| 202619  | 15283 | " " " " Position Pin .....                                       |
| *210532 | ---   | Hook (sewing) .....  |

| No.     | Plate | Name  |
|---------|-------|---|
| 210533  | 15285 | Hook 210532 with 200145c, 203101, 210536, 210541 and three 200596F  |
| 242107  | ---   | Hook and Bobbin Case complete, Nos. 210533 and 242106 .....         |
| 210614  | 10757 | Hook Driving Bevel Pinion (steel), 24 teeth, with two 200378c ..... |
| 200378c | 10760 | Hook Driving Bevel Pinion Set Screw .....                           |
| 210535  | 10752 | Hook Driving Bevel Pinion Shaft                                     |
| 202661  | 10753 | " " " " " Belt Pulley with 202324 and two 200378c .....             |
| 200378c | 10760 | Hook Driving Bevel Pinion Shaft Belt Pulley Set Screw .....         |
| 202324  | 10757 | Hook Driving Bevel Pinion Shaft Belt Pulley Spring Flange .....     |
| 210536  | 15285 | Hook Gib .....  |
| 200596F | 15285 | " " Screw .....   |
| 203101  | ---   | " Oil Wick .....  |
| 200915F | 10757 | " Position Screw .....  |
| 210537  | 10757 | " Shaft (hollow) .....  |
| 210615  | 10757 | " " Bevel Gear (steel), 24 teeth, with two 200382c .....            |
| 200382c | 15283 | Hook Shaft Bevel Gear Set Screw                                     |
| 210539  | 10757 | " " Bushing .....   |
| 210621  | ---   | " " " 210539 with 200931F and 210537 .....                          |
| 200335c | 10755 | Hook Shaft Bushing Set Screw ....                                   |
| 200363c | 15285 | " " " " " ....  |
| 202355  | 15285 | " " " " " Packing (brass) .....                                     |
| 200931F | 10757 | Hook Shaft Position Screw .....                                     |
| 210541  | 15285 | " Washer Needle Guard .....   |
| 200145c | 15285 | " " " " Screw ..  |
| 237837  | 15284 | Knee Lifter Connection Lever .....                                  |
| 210876  | ---   | " " " " 237837 with 202447, 210875 and two 200262H .....            |
| 200262H | 15285 | Knee Lifter Connection Lever Hinge Screw .....                      |
| 202447  | 15284 | Knee Lifter Connection Lever Lifting Rod with 202302 .....          |
| 202302  | 15285 | Knee Lifter Connection Lever Lifting Rod Cotter Pin .....           |
| 210875  | 15284 | Knee Lifter Lifting Lever .....                                     |
| 200262H | 15285 | " " " " Hinge Screw .....   |

| No.     | Plate | Name  |
|---------|-------|---|
| 242108  | 15286 | Needle Bar .....  |
| 210543  | 15285 | " " Connecting Link .....   |
| 202333  | 15285 | " " " " Stud<br>with 202254 .....   |
| 202254  | —     | Needle Bar Connecting Link Stud<br>Oil Packing (wick) .....                     |
| 200383c | 10755 | Needle Bar Connecting Link Stud<br>Set Screw .....                              |
| 200374c | 15285 | Needle Bar Connecting Link Stud<br>Set Screw .....                              |
| 210544  | 15285 | Needle Bar Connecting Stud with<br>202277 .....                                 |
| 210585  | —     | Needle Bar Connecting Stud 210544<br>with 210545 .....                          |
| 202277  | —     | Needle Bar Connecting Stud Oil<br>Packing (wick) .....                          |
| 210545  | 15285 | Needle Bar Connecting Stud Swivel<br>with 200387c .....                         |
| 210725  | 10753 | Needle Bar Crank with 200335c,<br>200374c, 200383c, 200428c and<br>202333 ..... |
| 203172  | 15285 | Needle Bar Crank Friction Washer  |
| 200428c | 15285 | " " " Position Screw ..   |
| 200335c | 10755 | " " " Set Screw .....   |
| 242109  | 15286 | " " Frame with 200070c ..   |
| 210547  | 15285 | " " " Guide Stud .....  |
| 200334c | 15285 | " " " " " Set<br>Screw .....  |
| 210548  | 15285 | Needle Bar Frame Hinge Stud ....  |
| 200334c | 15285 | " " " " " Set<br>Screw .....  |
| 210556  | 15286 | Needle Bar Frame Pitman with<br>200054E and 202277 .....                        |
| 210557  | 15285 | Needle Bar Frame Pitman Eccen-<br>tric Stud .....                               |
| 200070c | 15285 | Needle Bar Frame Pitman Eccen-<br>tric Stud Set Screw .....                     |
| 202277  | —     | Needle Bar Frame Pitman Oil<br>Packing (wick) .....                             |
| 200054E | 10755 | Needle Bar Frame Pitman Pinch<br>Screw .....                                    |
| 200387c | 15285 | Needle Bar Set Screw .....  |
| 242122  | 15287 | " Holder Body with 201030F ..   |
| 242123  | 15287 | " " Slide (left) with<br>200130F .....  |
| 242124  | 15287 | Needle Holder Slide (right) with<br>200130F .....                               |
| 200130F | 15287 | Needle Holder Slide Screw .....   |

| No.     | Plate | Name  |
|---------|-------|---|
| 242125  | 15287 | Needle Holder complete (adjust-<br>able from $\frac{3}{16}$ to $\frac{3}{8}$ in.), Nos.<br>242122 to 242124 and two 200130F |
| 201030F | 15287 | Needle Holder Screw .....   |
| 200130F | 15287 | " Set Screw .....   |
| 202300  | 10753 | " Vibrator Eccentric Regulat-<br>ing (throw) Bracket .....  |
| 210550  | —     | Needle Vibrator Eccentric Regulat-<br>ing Bracket 202300 with 210552,<br>two each 200256D and 201525E ..                    |
| 210551  | 15286 | Needle Vibrator Eccentric Regulat-<br>ing Bracket Cover (plate) ....  |
| 200566D | 15287 | Needle Vibrator Eccentric Regulat-<br>ing Bracket Cover Screw (4) ....  |
| 210552  | 15286 | Needle Vibrator Eccentric Regulat-<br>ing Bracket Flange with two<br>200383c .....  |
| 200383c | 10755 | Needle Vibrator Eccentric Regulat-<br>ing Bracket Flange Screw .....  |
| 200256D | 15287 | Needle Vibrator Eccentric Regulat-<br>ing Bracket Hinge Screw .....   |
| 201525E | 10755 | Needle Vibrator Eccentric Regulat-<br>ing Bracket Hinge Screw Nut ..  |
| 202301  | 10755 | Needle Vibrator Eccentric Regulat-<br>ing Bracket Plunger .....   |
| 202595  | 10755 | Needle Vibrator Eccentric Regulat-<br>ing Bracket Plunger Spring ....   |
| 200607c | 10755 | Needle Vibrator Eccentric Regulat-<br>ing Bracket Plunger Spring Stop<br>Screw .....  |
| 200256D | 15287 | Needle Vibrator Eccentric Regulat-<br>ing Bracket Stop Screw .....  |
| 201525E | 10755 | Needle Vibrator Eccentric Regulat-<br>ing Bracket Stop Screw Nut ....   |
| 210699  | 15286 | Needle Vibrator Gear (spiral) with<br>two 200382c .....   |
| 203172  | 15285 | Needle Vibrator Gear Friction<br>Washer .....   |
| 200382c | 15283 | Needle Vibrator Gear Set Screw ..   |
| 210558  | 15286 | " " " Shaft .....   |
| 210559  | 15287 | " " " " Collar<br>with two 200378c .....  |
| 200378c | 10760 | Needle Vibrator Gear Shaft Collar<br>Set Screw .....  |
| 210700  | 15287 | Needle Vibrator Pinion (spiral)<br>with two 200382c .....   |
| 200382c | 15283 | Needle Vibrator Pinion Set Screw  |
| 200429c | 10755 | " " Regulating Screw  |
| 200383c | 10755 | " " " " "<br>Check Screw .....  |



| No.     | Plate | Name  |
|---------|-------|---|
| 242118  | 15283 | Throat Plate, 53 needle hole, for needle sizes 12 and 13, for fine work, for 210518 ..... |
| 200577H | 10755 | Throat Plate Screw (2) .....  |

## ACCESSORIES

| No.     | Plate | Name   |
|---------|-------|--|
| 200157R | 15290 | Attachment Screw .....   |
| 210530  | 15283 | Bobbin (5) .....   |
| *225482 | ----- | " Case Screw Driver Blade ...                                  |
| *225483 | ----- | " " " " Handle ..  |
| 225497  | 12345 | Bobbin Case Screw Driver complete, Nos. 225482 and 225483 ...  |
| 231337  | 15290 | Cloth Guide .....  |
| 131 x 1 | ---   | Needles, six, size 12 .....                                    |
| 131 x 3 | ---   | " " " " 12 .....   |
| 228212  | ----  | Drip Pan with four 1 in. wire nails                            |
| 41400   | 12345 | Machine Rest Pin (wood) .....                                  |
| 120342  | 12345 | Oiler (copper plated) with 120343                              |
| 120343  | 12345 | " Spout, 3½ in. long .....                                     |
| *225484 | ----  | Screw Driver Blade .....                                       |
| *225485 | ----- | " " Handle .....   |
| 225498  | 12345 | Screw Driver complete (7¼ in. long), Nos. 225484 and 225485 .. |
| 225554  | 12345 | Wrench (steel) .....   |

### BOBBIN WINDER

#### Swing Automatic, Right Hand

|         |       |                                  |
|---------|-------|----------------------------------|
| 225453  | 10884 | Frame with 202277 and 225438 ... |
| 225454  | 10884 | " Hinge Pin .....                |
| 202277  | ----- | " Oil Packing (wick) .....       |
| 225438  | 10884 | " " Well Cap .....               |
| 225455  | 10884 | " Spring .....                   |
| 255456  | 10884 | " " Plunger .....                |
| 202473  | 10885 | Pulley with 200380c .....        |
| 200380c | 15290 | " Set Screw .....                |
| 225381  | 10884 | Spindle .....                    |
| 225444  | 10884 | Stop Latch .....                 |
| 200056E | 10884 | " " Screw .....                  |
| 225458  | 10884 | " " Thumb Lever .....            |
| 225459  | 10884 | " " " " Hinge Stud               |
| 225459  | 10884 | " " " " Joint Stud               |
| 202478  | 10884 | " " Trip Lever .....             |
| 200299H | 10884 | " " " " Hinge Screw              |



| No.     | Plate | Name   |
|---------|-------|--|
| 225461  | 10881 | Tension Bracket with 201499b ....  |
| 200082b | 10881 | " " Screw .....  |
| 228026  | 10884 | " " Washer .....   |
| 2102    | 10881 | " Disc .....   |
| 202407  | 10881 | " Spring .....   |
| 201499b | 10881 | " Stud .....   |
| 201572b | 10881 | " " Thumb Nut .....  |
| 225462  | 10881 | Bobbin Winder Tension Bracket<br>complete, Nos. 201572b, 202407,<br>225461 and two 2102 .....  |
| 225433  | 10885 | Bobbin Winder and Tension Bracket<br>Base .....  |
| 225382  | 10885 | Universal Bobbin Winder complete,<br>Nos. 200056e, 200082b, 200299u,<br>202473, 202478, 225381, 225433,<br>225444, 225453 to 225456, 225458,<br>225462, 228026, two each 225459<br>and wood screws $\frac{3}{4}$ in., No. 12,<br>R.H.B. .... |

## KNEE LIFTER

|         |       |   |
|---------|-------|---|
| 2763    | 13395 | Rock Shaft .....  |
| 228278  | 13395 | " " Hanger (back) with<br>356c .....  |
| 228279  | ---   | Rock Shaft Hanger 228278 with<br>202452 and 228282 .....  |
| 228280  | 13395 | Rock Shaft Hanger (front) with<br>two 356c .....  |
| 228281  | ---   | Rock Shaft Hanger 228280 with<br>202452 and 228282 .....  |
| 228282  | 13395 | Rock Shaft Hanger Bracket with<br>two wood screws $\frac{3}{4}$ in., No. 12 ..                            |
| 202452  | 15290 | Rock Shaft Hanger Hinge Pin ....  |
| 202455  | 13395 | " " Knee Arm .....  |
| 356c    | 15290 | " " " " Set Screw ..  |
| 228284  | 13395 | " " " Plate with 356c ..  |
| 356c    | 15290 | " " " " Set Screw ..  |
| 228283  | 13395 | " " Lifting Lever with two<br>356c .....  |
| 227728  | 13395 | Rock Shaft Lifting Lever Rod with<br>227729 .....   |
| *227729 | ---   | Rock Shaft Lifting Lever Rod Cap  |
| 356c    | 15290 | " " " " " " Set<br>Screw .....  |
| 356c    | 15290 | Rock Shaft Lifting Lever Set Screw  |
| 356c    | 15290 | " " Set Screw .....   |
| 228285  | 13395 | Knee Lifter Rock Shaft complete,<br>Nos. 2763, 202455, 227728, 228279,<br>228281, 228283 and 228284 ..... |

## THREAD UNWINDER

| No.     | Plate | Name   |
|---------|-------|--|
| 225389  | 14083 | Spool Rest (for one spool) with<br>201018c .....   |
| 225395  | 14083 | Spool Rest (for two spools) with<br>201018c .....  |
| 225388  | 14083 | Spool Rest Rod .....   |
| 200383c | 10755 | " " " Set Screw .....  |
| 201018c | 15290 | " " Set Screw .....  |
| 202490  | 14083 | " Stand with 200383c .....   |
| 225391  | 14083 | Thread Guide .....   |
| 201696j | 15290 | " " Lock Nut .....   |
| 225326  | 15290 | " " Position Cup .....   |
| 225324  | 14083 | " " Rod with 208e and<br>225322 .....  |
| 208e    | 15290 | Thread Guide Rod Screw .....   |
| 225322  | 15290 | " " " Washer .....   |
| 225397  | 14083 | Thread Unwinder (for three spools)<br>complete, Nos. 201696j, 202490,<br>225324, 225326, 225388, 225389,<br>225395, three each 225391 and<br>wood screws $\frac{3}{4}$ in., No. 12 ..... |

PARTS FOR AIR TUCKING  
ON RAYON

|        |       |  |
|--------|-------|--|
| 210527 | 15291 | Feed Dog .....   |
| 202090 | 15291 | Presser Foot Hinge Pin .....   |
| 242131 | ---   | " " Plate .....  |
| 210620 | ---   | " " Shank .....  |
| 242132 | 15291 | Presser Foot (hinged) complete,<br>Nos. 202090, 210620 and 242131 .. |
| 242130 | 15291 | Thread Controller Spring Stop ...                                    |
| 242129 | 15291 | Throat Plate, 60 needle hole, for<br>needle sizes 8 and 9 .....      |

## MISCELLANEOUS PARTS

## Used in conjunction with Thread Unwinder

|        |       |                                |
|--------|-------|--------------------------------|
| 60913  | 14083 | Spool Weight with 60914 .....  |
| 60914  | ---   | " " Centre Pin .....           |
| 225377 | 14083 | " Wire, for small spools ..... |
| 27739  | ---   | Thread Cone (wood) .....       |

PLATE 10752--ONE-HALF SIZE

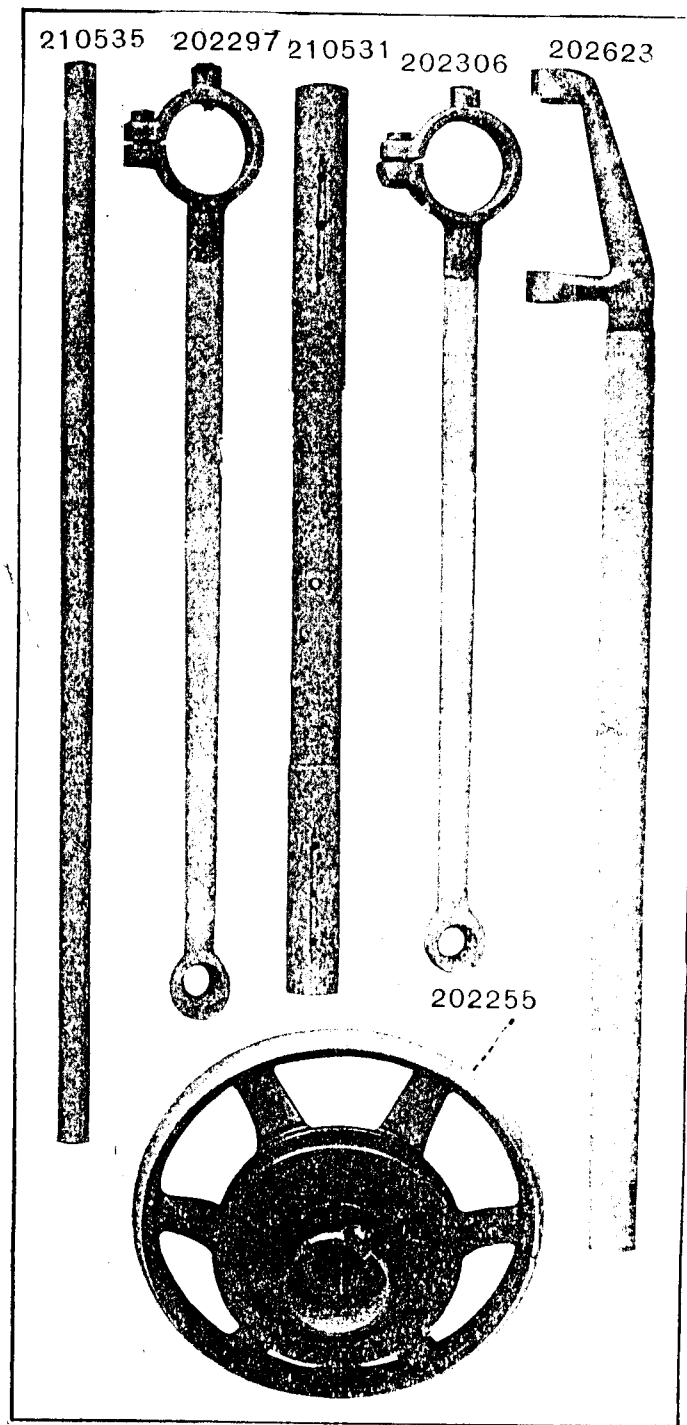


PLATE 10753—ONE-HALF SIZE

202249 202310 207080 210503

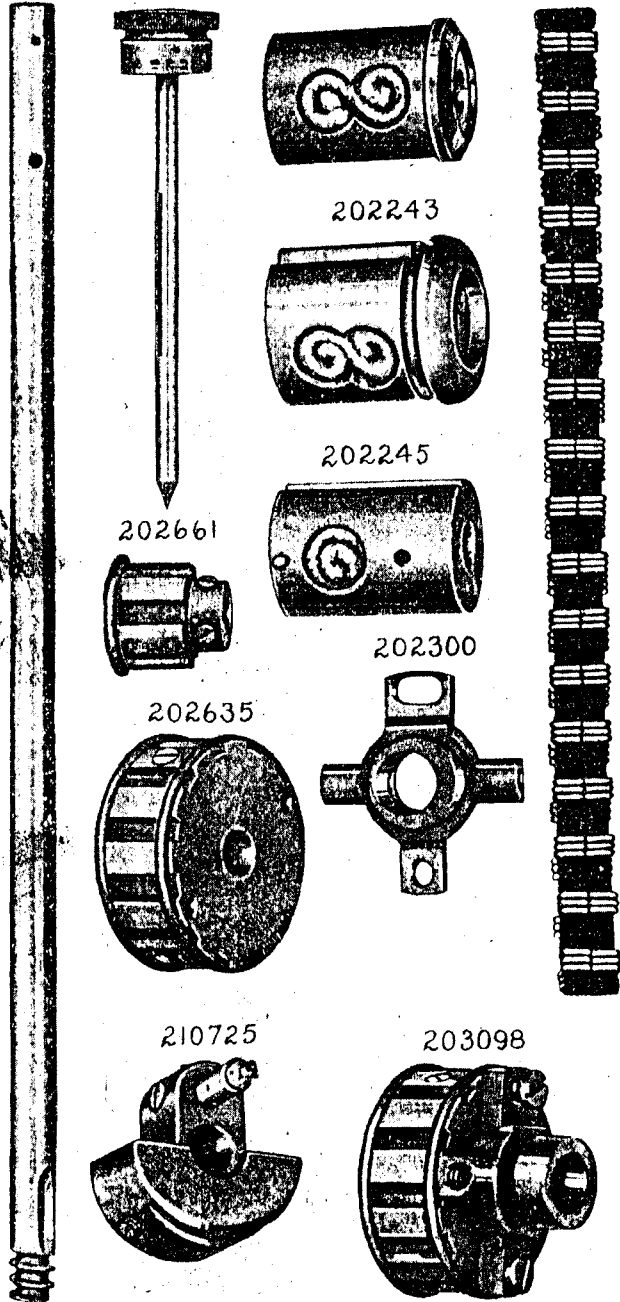


PLATE 10755—FULL SIZE

200641 200216 200010 200602

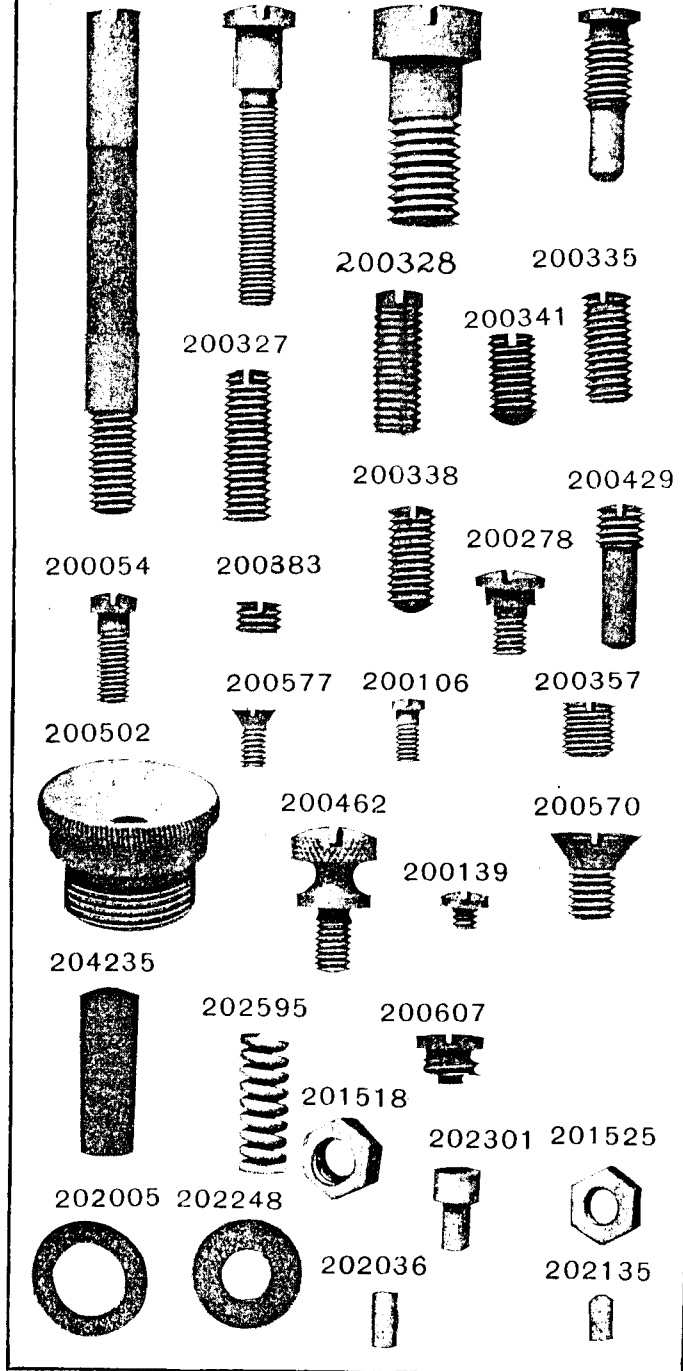


PLATE 10757—FULL SIZE

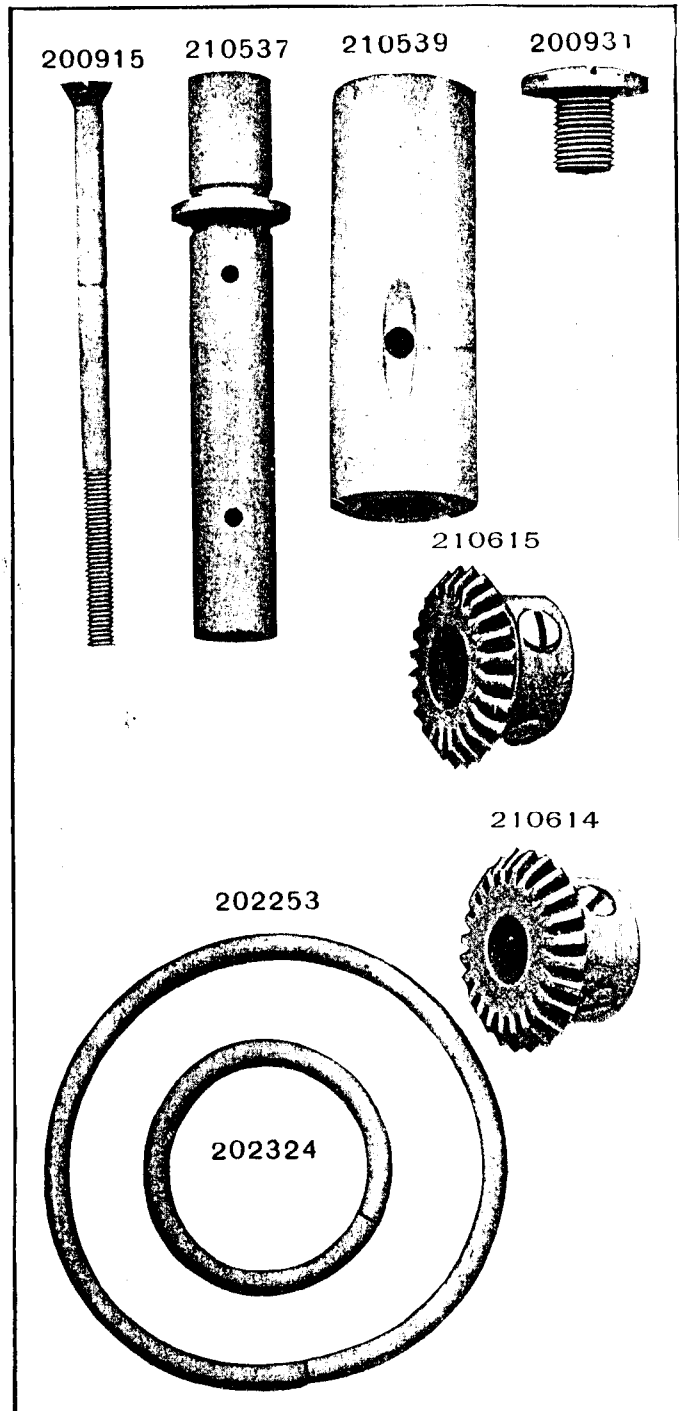


PLATE 10760—FULL SIZE

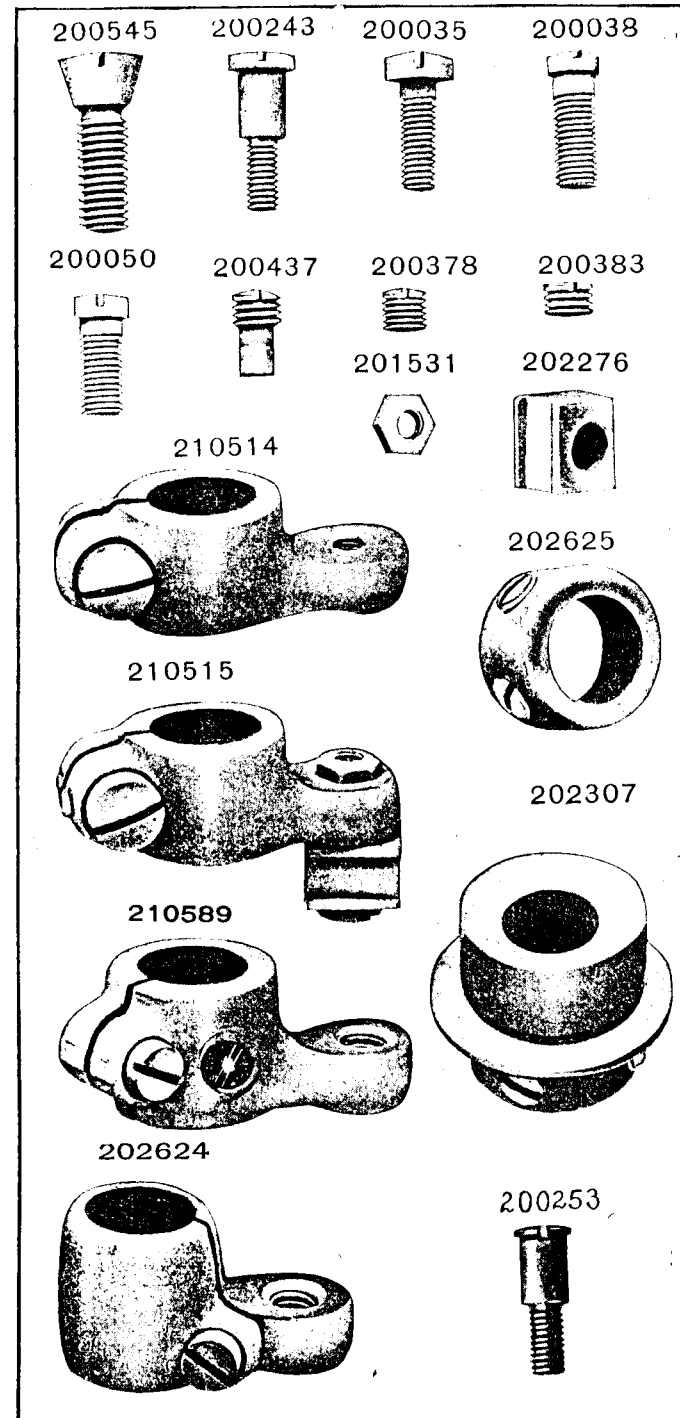
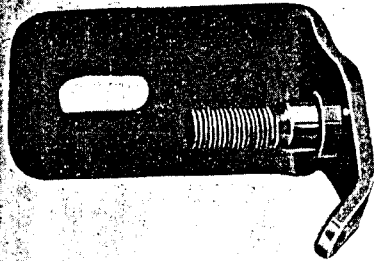


PLATE 10881—FULL SIZE

225461



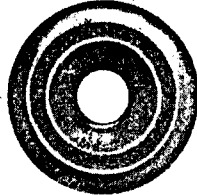
200082



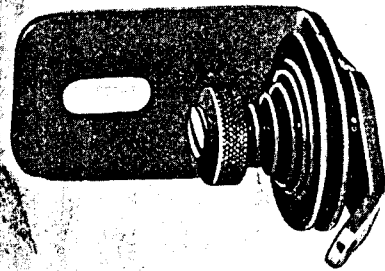
202104



2102



225462



202407



201499



201572

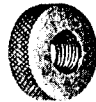
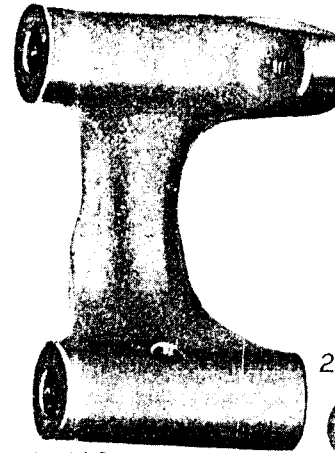
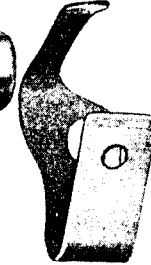


PLATE 10884—FULL SIZE

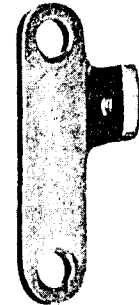
225453



225444



202478



228026



225458



225460



225454



200299



225438



200056



225459



200105



225456



225381



225455

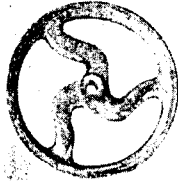


PLATE 10885—ONE-FOURTH SIZE

225433



202473



225382



PLATE 12345—ONE-HALF SIZE

41400



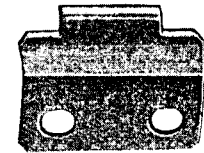
225497



225498



202258



120342

225554



120343

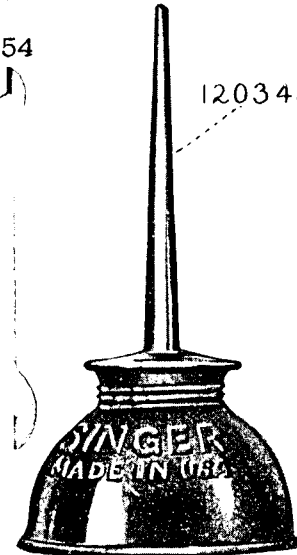


PLATE 13395—ONE-FOURTH SIZE

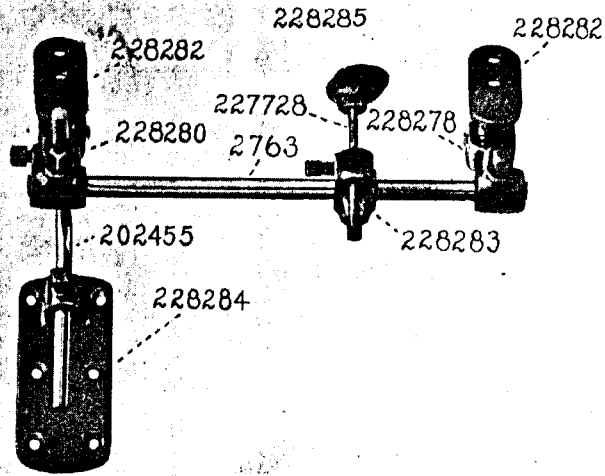


PLATE 14083—ONE-SIXTH SIZE

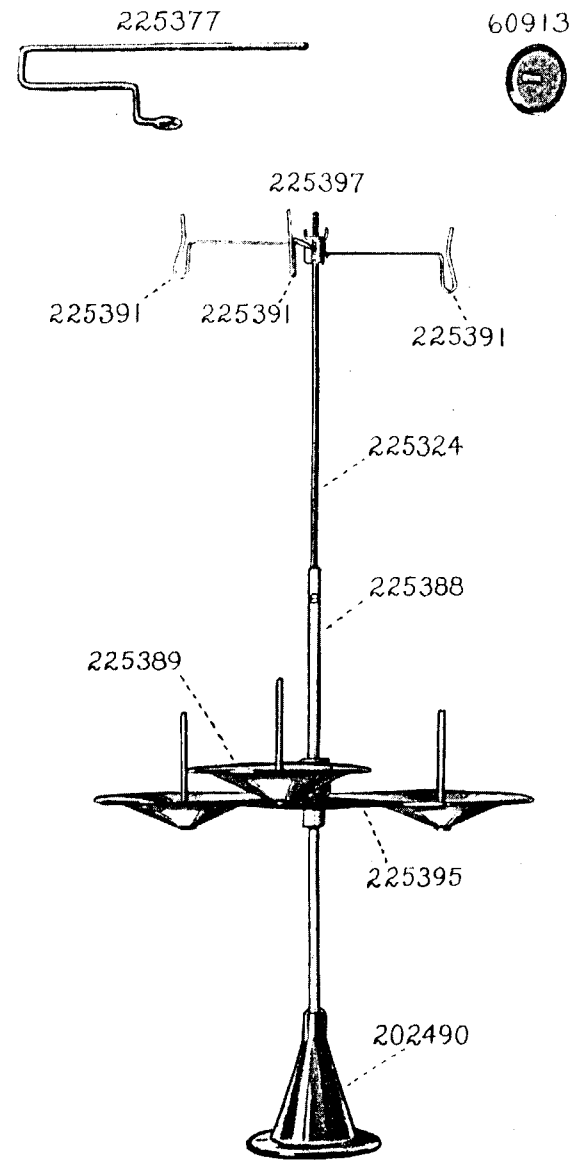
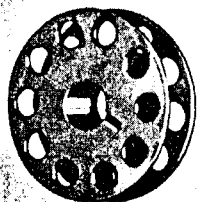


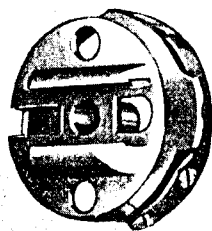
PLATE 15283—FULL SIZE

210530



210846

242103



210914



210913



242105



210735



201016



210734



200076



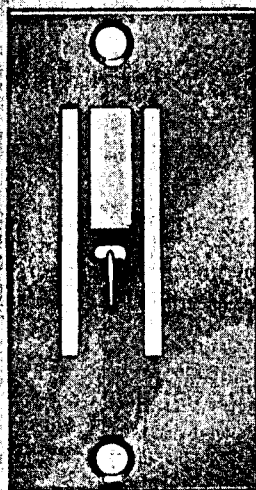
201522



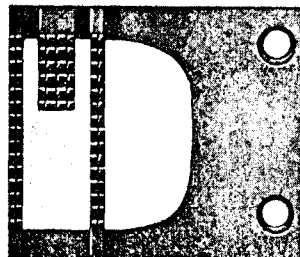
210764



242118



210518



200382



200253

200964



200592



201014



202443



210736

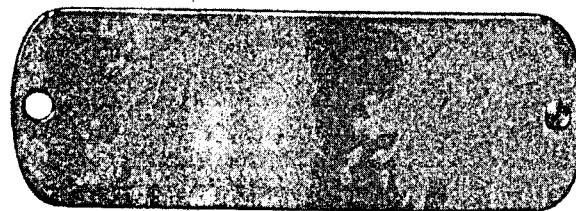


202619

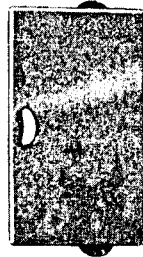


PLATE 15284—ONE-HALF SIZE

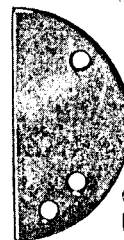
242102



210616



210505



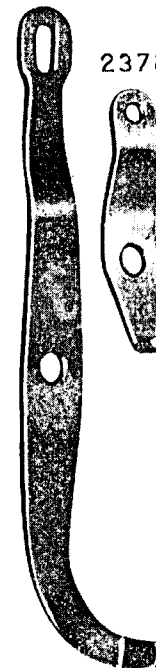
207080



202447



210875



237837



210681

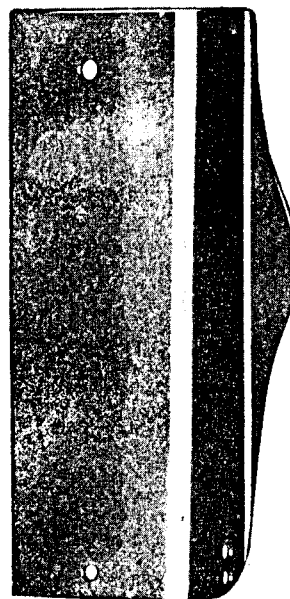




PLATE 15285—FULL SIZE

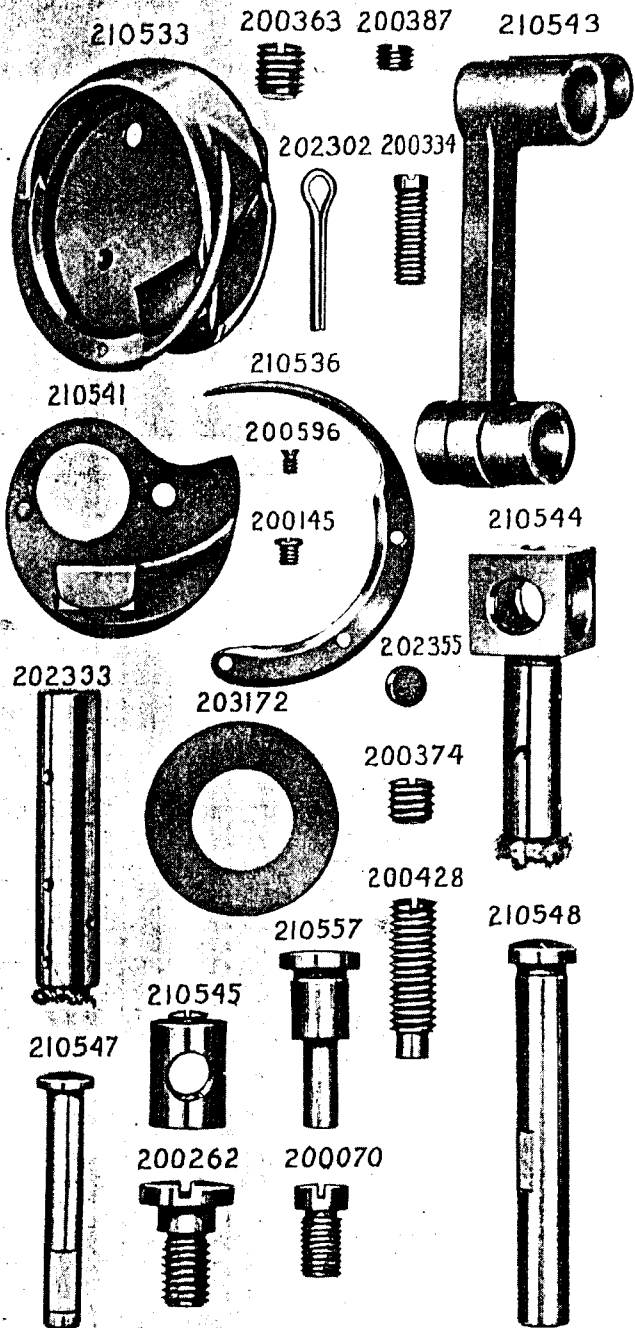


PLATE 15286—ONE-HALF SIZE

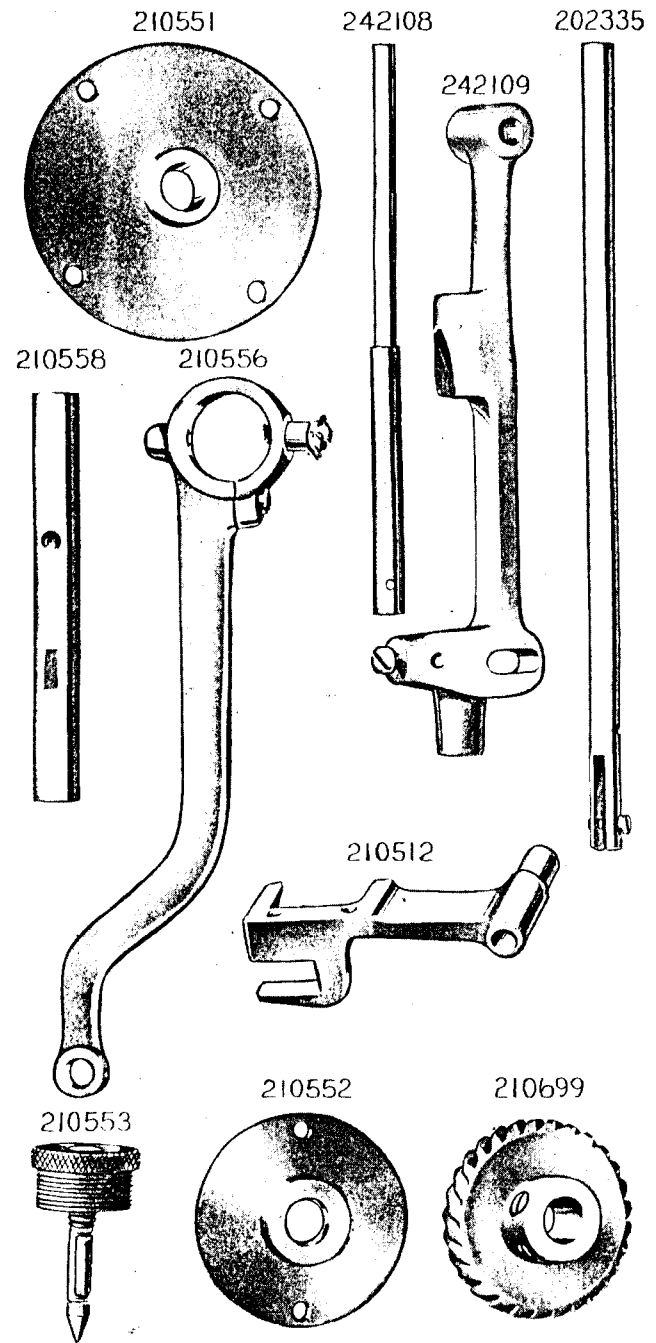


PLATE 15287—FULL SIZE

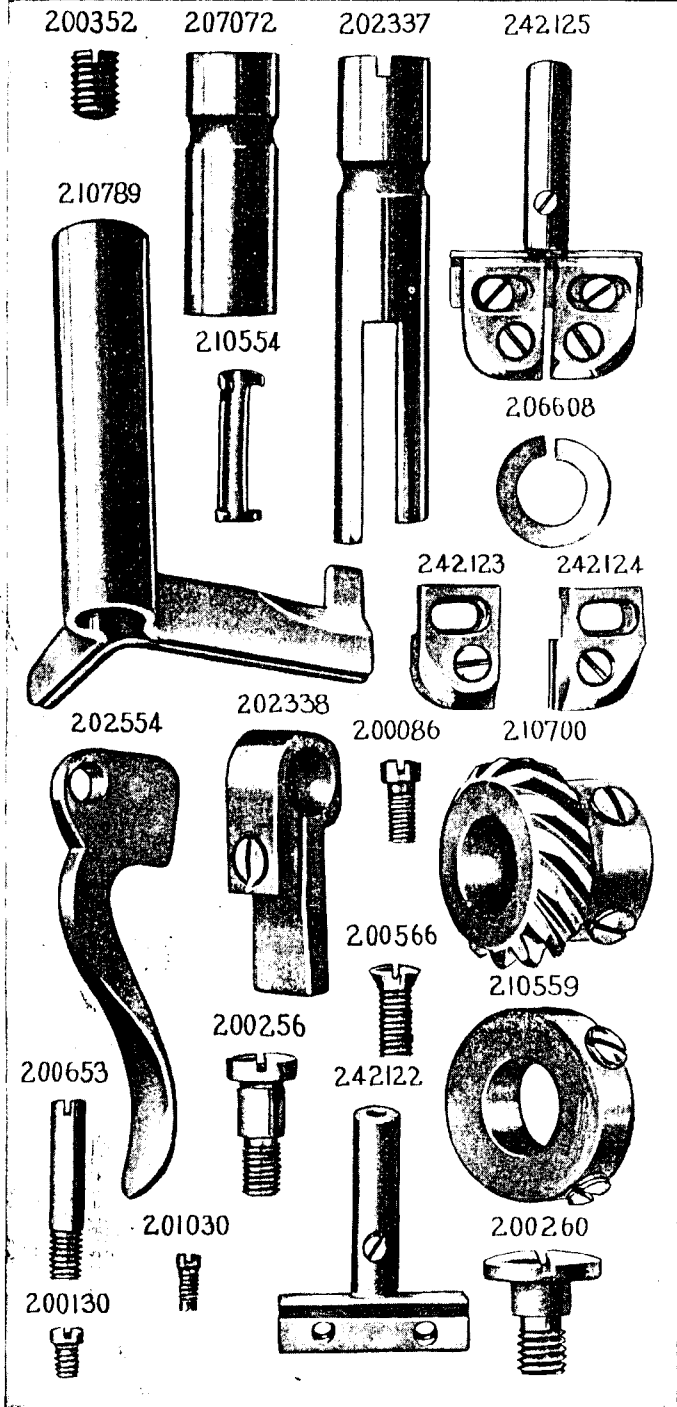


PLATE 15288—FULL SIZE

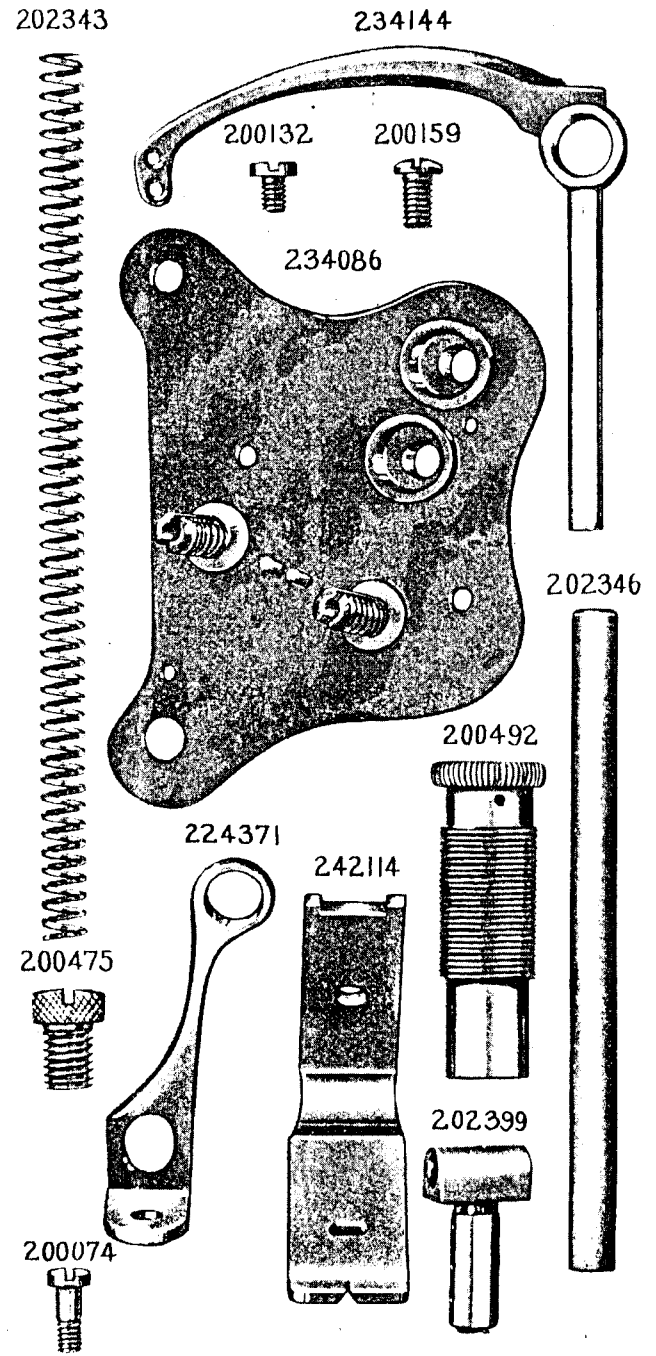


PLATE 15289—FULL SIZE

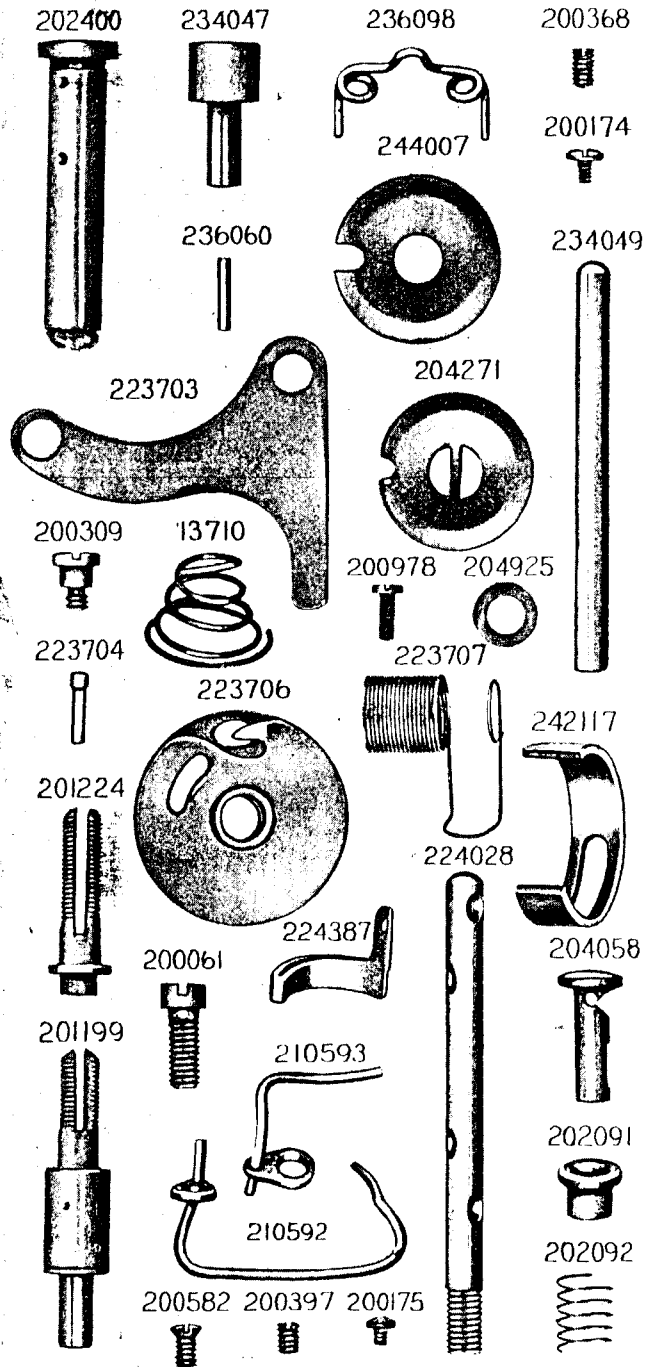


PLATE 15290—FULL SIZE

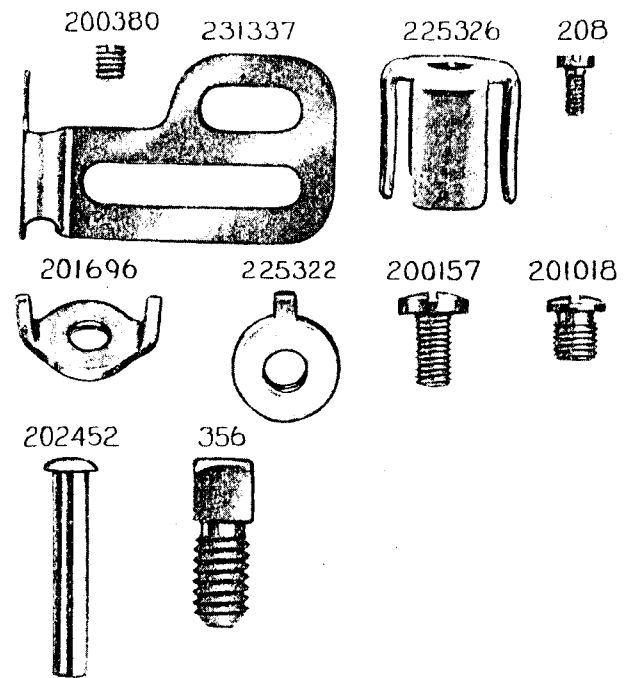
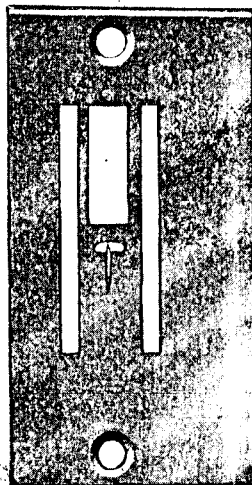
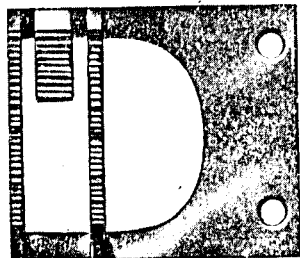


PLATE 15291—FULL SIZE

242129

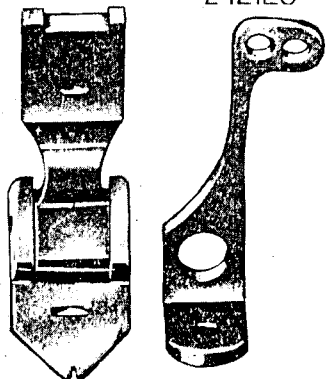


210527



~~242132~~  
~~210620~~

242128



242130



202090 200174



242126



242127

