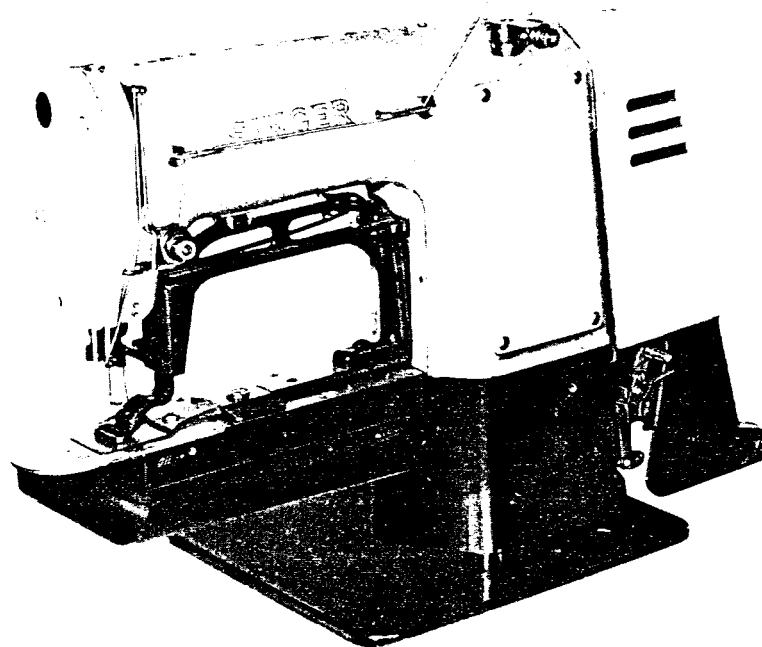


# **PARTS LIST**

**FOR**

# **SINGER<sup>™</sup> 269w**



**Lock Stitch**

**Single Needle**

## **THE SINGER MANUFACTURING COMPANY**

Copyright © 1958 by The Singer Manufacturing Company

<sup>™</sup> A Trademark of THE SINGER MANUFACTURING COMPANY

INSTRUCTIONS FOR ORDERING

To simplify ordering of parts, exploded views of the various sections of the mechanism are shown in the same illustration as the assembly of those parts. On the page opposite the illustration is a list of parts with key or reference numbers to indicate the position of that part in the illustration. These key numbers in the first column are for reference only and are not to be used in ordering parts.

In ordering from this list, use ONLY the PART number in the SECOND column.

The number stamped on a Sewing Machine Part is the number of the single part only.

Every combination of parts sent out has its specific number which, although not stamped on Parts must be used when ordering the combination.

Each number always indicates the SAME PART in whatever list it appears, or for whatever Machine.

The letters after some of the numbers indicate the style of finish only, as follows:

AL	Heat Treated for Toughness.
ALX	Heat Treated for Toughness and Black Oxide.
C	Hardened only.
D	Polished only.
E	Soft, Not polished.
F	Hardened and Polished.
J	Nickel Plated only.
R	Phosphate Coating Formed on Surface of Iron or Steel.
U	Zinc Plated
X	Black Oxide, for Iron and Steel
XC	Hardened and Black Oxide, for Iron and Steel

These letters MUST BE USED when they appear in the list and AFTER the number, as in the list.

In this series:

1 to 1500, 200001 to 201500 and 350001 to 351500 are Screw Numbers.  
 1501 to 1800, 201501 to 201800 and 351501 to 351800 are Nut Numbers.  
 1801 to 2000, 201801 to 202000 and 351801 to 352000 are Roller Numbers.  
 2001 to 50000 and 202001 to 350000 are Numbers of Machine Parts.

Parts marked with an asterisk (\*) are furnished only when repairs are made at the factory; these (\*) parts are named at bottom of descriptive list opposite illustration.

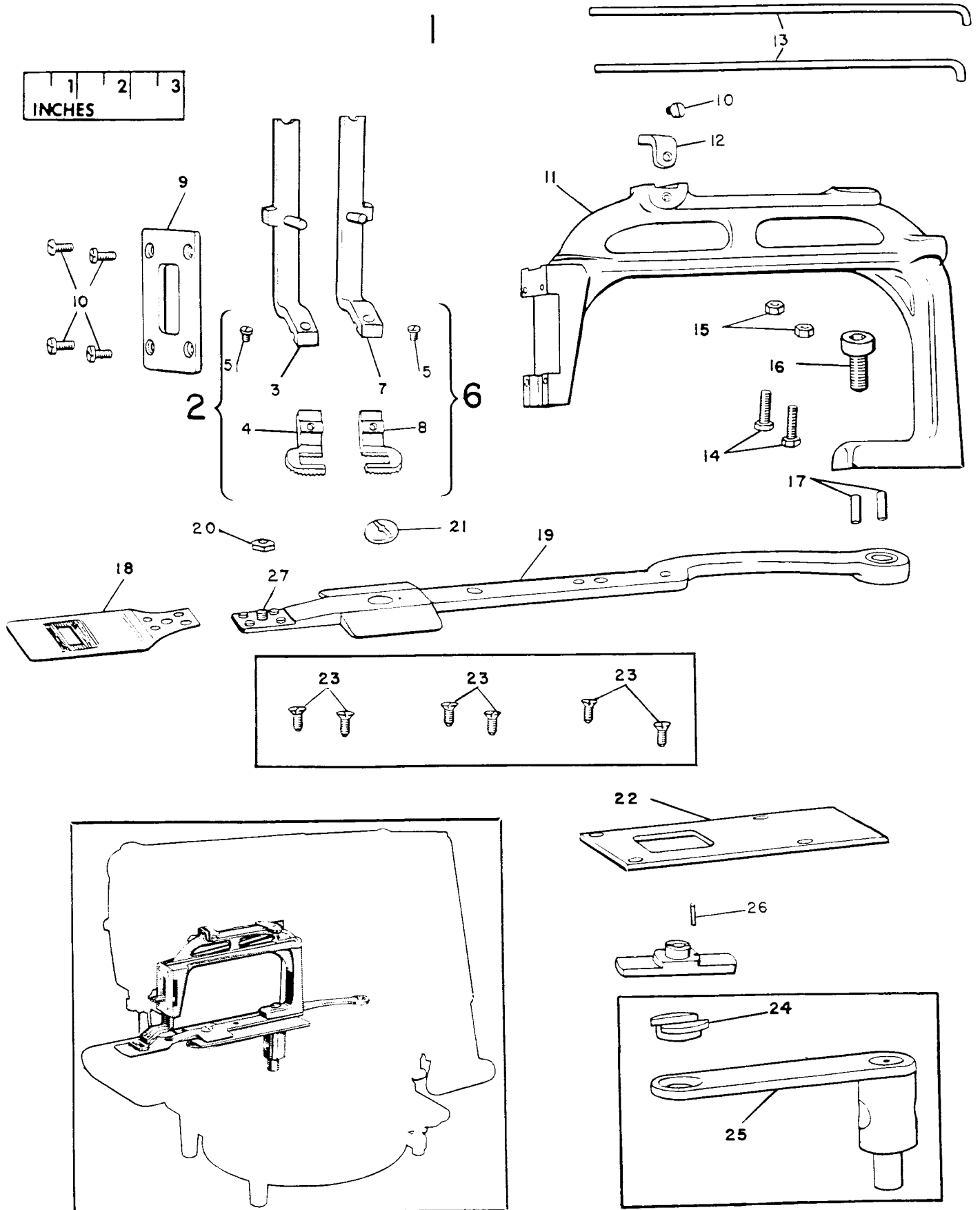
## PARTS FOR MACHINE No. 269w8

## ARCH CLAMP AND FEED PLATE CARRIER BAR

<u>Ref. No.</u>	<u>Part No.</u>	<u>Description</u>
1	239210	Arch Clamp complete, Nos. 68729, 201526E, 239201, 239203, 239205, 239207, 239209, 239248, *239249, 239473 350602X, 350605XC, two each 201711C, 239206, 350218C and five 350132X
2	239203	Arch Clamp Foot Shank (left) 239202 with 202X and 68721
3	239202	Foot Shank (left)
4	68721	Foot (left)
5	202X	Foot Screw
6	239205	Arch Clamp Foot Shank (right) 239204 with 202X and 68723
7	239204	Foot Shank (right)
8	68723	Foot (right)
9	239201	Foot Retaining Plate
10	350132X	Screw
11	239207	Frame (universal) with two 239208
12	239209	Rubbing Block
13	239206	Spring (medium)
14	350218C	Spring Adjusting Screw
15	201711C	Spring Adjusting Screw Lock Nut
16	350605XC	Frame Screw
17	239208	Frame Dowel Pin
18	68729	Feed Plate
19	239248	Plate Carrier Bar with 350645E
20	201526E	Plate Nut
21	350602X	Driving Block Screw
22	239473	Cover Plate (top)
23	691X	Cover Plate Screw (6)
24	239250	Stud
25	239262	Carrier Bar Connecting Arm
26	239501	Driving Block Pin
27	350645E	Feed Plate Screw Stud
	*239249	Feed Plate Carrier Bar Driving Block with 239501
	239474	Feed Plate Carrier Bar and Cylinder Cover Plate (top) complete, Nos. 239248, *239249, 239473 and 350602X (for repairs only)

PARTS FOR MACHINE No. 269w8

ARCH CLAMP AND FEED PLATE CARRIER BAR



## PARTS FOR MACHINE No. 269w8

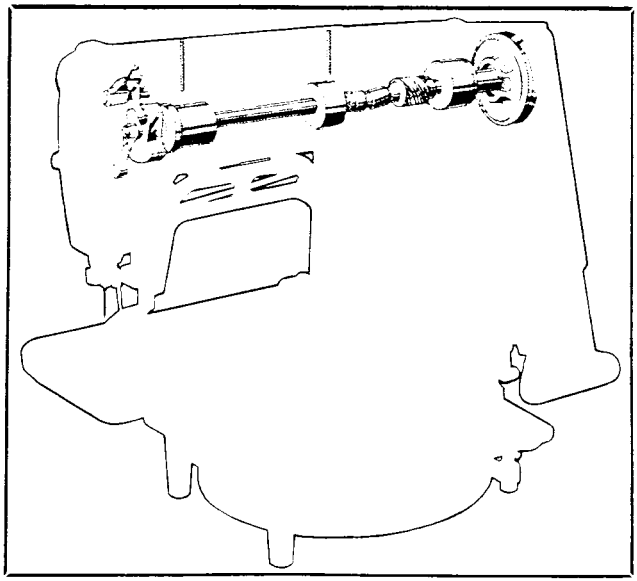
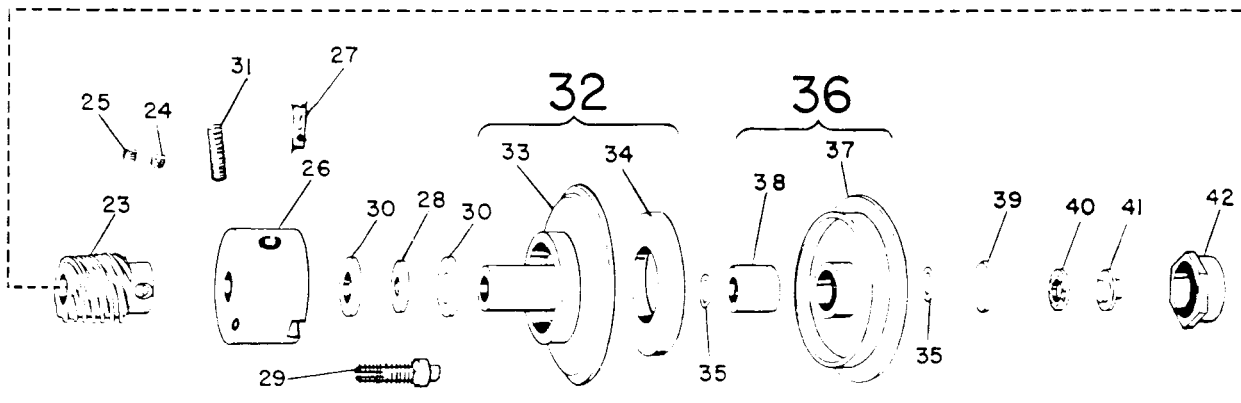
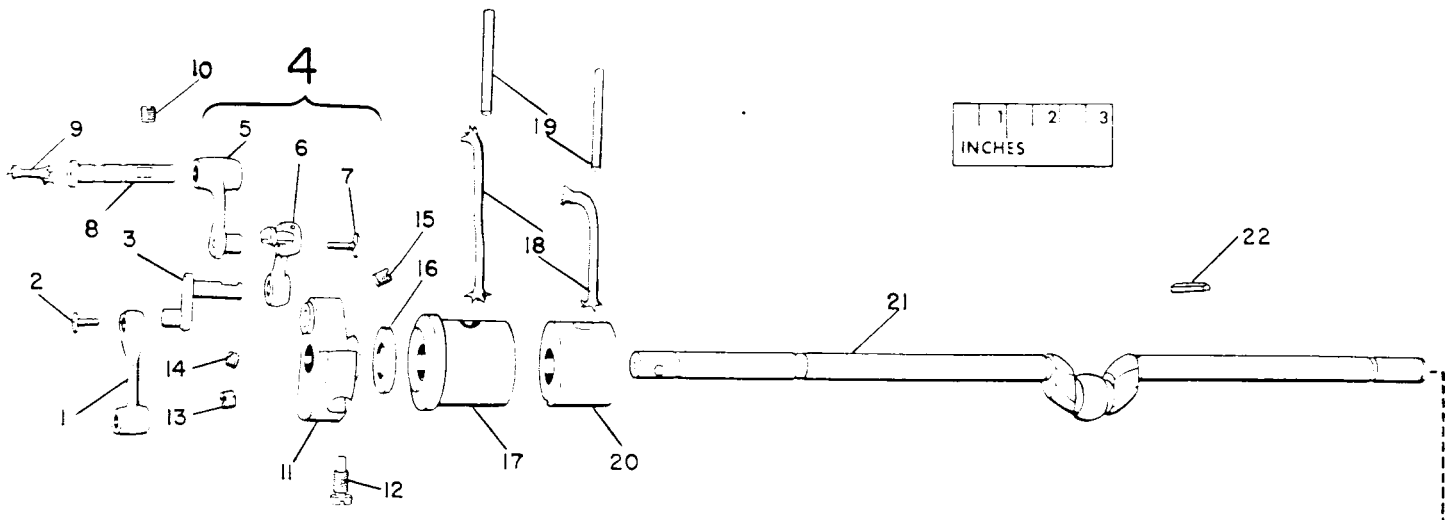
## ARM SHAFT, MACHINE PULLEY AND NEEDLE BAR CRANK

<u>Ref. No.</u>	<u>Part No.</u>	<u>Description</u>
1	40148	Needle Bar Connecting Link
2	50650E	Link Cap Screw
3	239385	Thread Take-up Crank
4	239332	Thread Take-up Lever complete, Nos. 12166, 239330 and 239331
5	239331	Lever Link
6	239330	Take-up Lever
7	12166	Lever Hinge Pin
8	249915	Lever Link Hinge Pin with 222598
9	222598	Lever Link Hinge Pin Oil Packing (wick)
10	200363AL	Lever Link Hinge Pin Set Screw
11	23477	Needle Bar Crank with 858AL, 1036AL, 1065AL and 1258AL
12	1065AL	Crank Position Screw
13	858AL	Crank Set Screw
14	1258AL	Take-up Crank Set Screw
15	1036AL	Take-up Crank Position Screw
16	203172	Friction Washer
17	239228	Bushing (front)
18	222583	Bushing (center) Oil Packing (wick)
18	222583	Bushing (front) Oil Packing (wick)
19	239229	Bushing Oil Tube
20	239227	Bushing (center)
21	239224	Arm Shaft
22	239314	Machine Pulley (tight) Key
23	239347	Vertical Drive Shaft Worm with 200382ALX and 201220ALX
24	201220ALX	Worm Position Screw
25	200382ALX	Worm Set Screw
26	239373	Arm Shaft Bushing (back) with 202299, 239374, 350630ALX and two 239383
27	202299	Bushing (back) Oil Packing (wick)
28	239374	Machine Pulley (tight) Needle Thrust Bearing
29	350630ALX	Bushing (back) Support Screw
30	239383	Washer
31	200325C	(back) Set Screw
32	239312	Machine Pulley (tight) 239311 with 239313
33	239311	Machine Pulley (tight)
34	239313	Machine Pulley (tight) Cork
35	239315	Machine Pulley Retaining Ring (2)
36	239318	Machine Pulley (loose) 239317 with 239322
37	239317	Machine Pulley (loose)
38	239322	Machine Pulley (loose) Needle Bearing
39	239382	Machine Pulley (loose) Starting Cap Thrust Plate
40	239324	Machine Pulley (loose) Starting Cap Thrust Ball Bearing
41	239325	Machine Pulley (loose) Starting Cap Thrust Button
42	239323	Machine Pulley (loose) Starting Cap

Note: Pulley Cork not required in Machines fitted with  
Stop Motion Brake

# PARTS FOR MACHINE No. 269w8

## ARM SHAFT, MACHINE PULLEY AND NEEDLE BAR CRANK



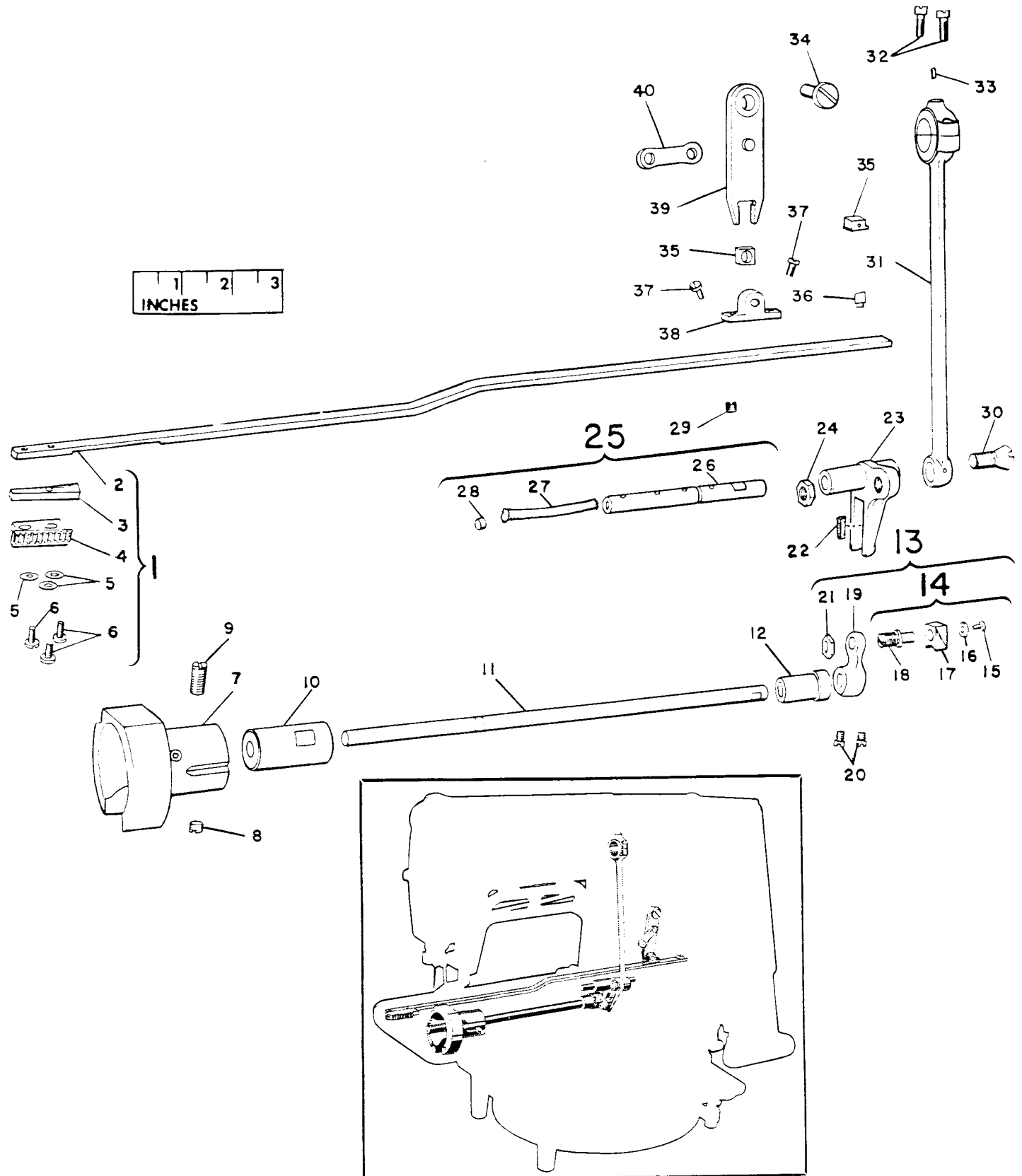
## PARTS FOR MACHINE No. 269w8

## KNIFE BAR AND OSCILLATING SHAFT ASSEMBLIES

<u>Ref. No.</u>	<u>Part No.</u>	<u>Description</u>
1	239254	Knife Bar 239253 with 239260, 239261, three each 202603 and 350132X
2	239253	Knife Bar
3	239261	Adjusting Block
4	239260	Knife Bar Rack
5	202603	Screw Washer
6	350132X	Screw
7	239284	Bushing (front-outer) with 201472C
8	201472C	Bushing (front-inner) } Set Screw
9	200333C	Bushing (front-outer) } Set Screw
10	239283	Bushing (front-inner)
11	239281	Oscillating Shaft
12	239282	Bushing (back)
i3	39658	Oscillating Shaft Crank complete, Nos. 1636E, 24050, 39657 and two 1253C
14	24050	Oscillating Shaft Crank Slide Block complete, Nos. 226J, 1035C, 12424 and 19448
15	226J	Crank Slide Block Cap Screw
16	12424	Crank Slide Block Cap Screw Washer
17	19448	Crank Slide Block
18	1035C	Slide Block Screw Stud
19	39657	Oscillating Shaft Crank
20	1253C	Crank Set Screw
21	1636E	Screw Stud Nut
22	4784	Oil Pad (felt)
23	39653	Oscillating Rock Shaft
24	201749E	Hinge Screw Nut
25	239280	Oscillating Rock Shaft Hinge Pin 239279 with 23421 and 222583
26	239279	Hinge Pin
27	222583	Hinge Pin Oil Packing (wick)
28	23421	Hinge Pin Oil Hole Plug (leather)
29	200394C	Hinge Pin Set Screw
30	908C	Rod Hinge Screw
31	20197	Crank Connecting Rod with *20198, 125044 and two 896AL
32	896AL	Rod Cap Screw
33	125044	Rod Oil Pad (felt)
34	201083C	Knife Actuating Lever Screw
35	213484	Knife Bar Connection Stud Slide Block
35	213484	Knife Bar Driving Slide Block
36	200689C	Slide Block Screw
37	350447D	Connection Screw (2)
38	239257	Knife Bar Connection with 213484 and *239258
39	239251	Knife Actuating Lever
40	239252	Knife Actuating Lever Link
	*20198	Crank Connecting Rod Cap
	*239258	Knife Bar Connection Stud

# PARTS FOR MACHINE No. 269w8

## KNIFE BAR AND OSCILLATING SHAFT ASSEMBLIES





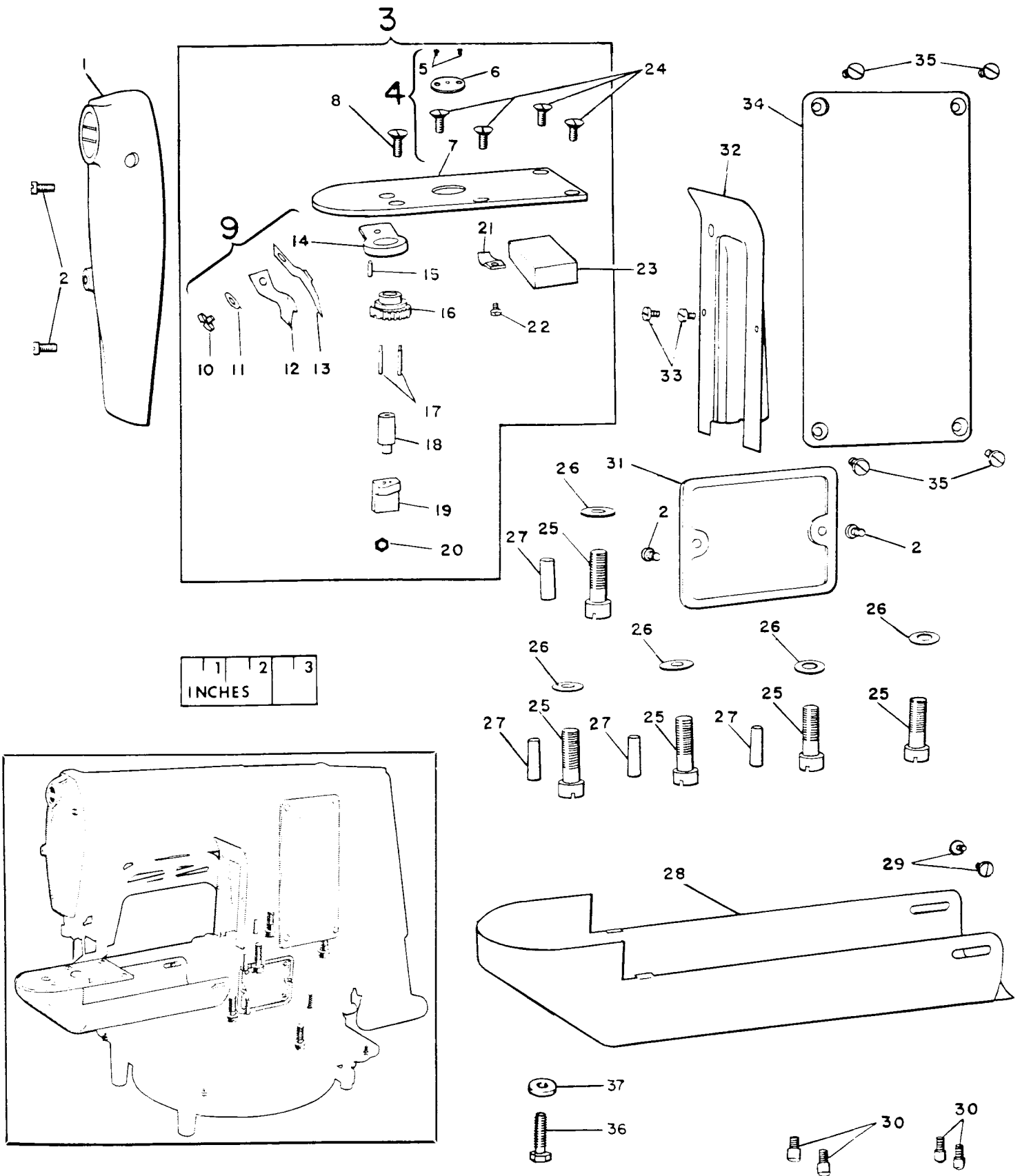
## PARTS FOR MACHINE No. 269w8

## KNIVES, MISCELLANEOUS COVERS AND THROAT PLATE

<u>Ref. No.</u>	<u>Part No.</u>	<u>Description</u>
1	239222	Arm Cover (front)
2	200084X	Screw (4)
3	239339	Throat Plate complete, Nos. 17828, 50018F, 200138E, 201711C, 239338, 239367 and 239368
4	239338	Throat Plate 239337 with 55325 and two 1208J
5	1208J	Needle Hole Bushing Screw
6	55325	Needle Hole Bushing (46 needle hole)
7	239337	Throat Plate
8	50018F	Pinion Stud Bracket Screw
9	239368	Knife Holder complete, Nos. 1198C, 17825, 55459, 206133 and 239372
10	1198C	Screw
11	206133	Washer
12	239372	Knife (Needle Thread)
13	55459	Knife (Shuttle Thread)
14	17825	Knife Holder with 17826, 17830 and two 7298
15	17830	Position Pin
16	17826	Pinion
17	7298	Pinion Dowel Pin
18	17827	Pinion Stud
19	17828	Knife Holder Pinion Stud Bracket with 17827
20	201711C	Stud Bracket Screw Nut
21	239367	Knife (stationary)
22	200138E	(stationary) Screw
23	239236	Oil Stop Pad (felt)
24	691F	Screw (4)
25	200004E	Screw (5)
26	202005	Screw Washer (5)
27	204235	Position Pin (4)
28	239233	Cylinder Cover (bottom)
29	200294X	(bottom) Screw (2)
30	350618C	Locating Screw (4)
31	239234	Cylinder Cover (side)
32	239221	Arm Cover (center)
33	200582X	(center) Screw (2)
34	239223	Arm Cover (side)
35	200064X	(side) Screw (4)
36	201072E	Cylinder Base Locking Screw
37	270419	Cylinder Base Locking Screw Washer
	*239230	Cylinder
	*239231	Cylinder Base with 200364C and 239361
	*239220	Arm with two 239229

# PARTS FOR MACHINE No. 269w8

## KNIVES, MISCELLANEOUS COVERS AND THROAT PLATE



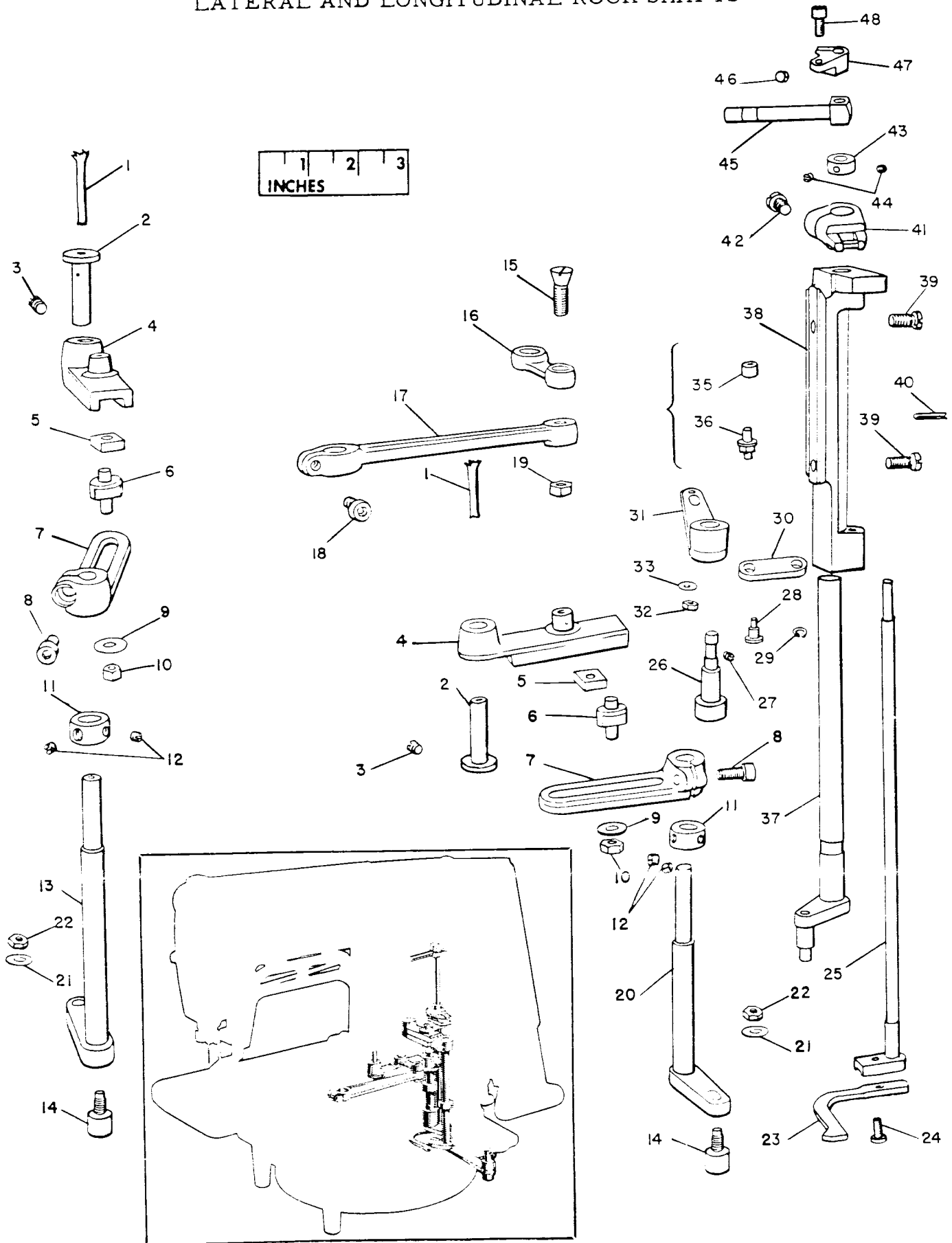
## PARTS FOR MACHINE No. 269w8

## LATERAL AND LONGITUDINAL ROCK SHAFTS

<u>Ref. No.</u>	<u>Part No.</u>	<u>Description</u>
1	202423	Oil Packing (wick)
2	239267	Driven Arm Hinge Stud with 202423 (2)
3	200335C	Set Screw (2)
4	239265	Rock Shaft Driven Arm (2)
5	239270	Driving Arm Screw Stud Guide Block (2)
6	239269	Driving Arm Screw Stud (2)
7	239268	Driving Arm with 350604XC (2)
8	350604XC	Pinch Screw
9	210805	Washer (2)
10	201652E	Nut (2)
11	268072	Collar with two 200386C (2)
12	200386C	Set Screw
13	239384	Longitudinal Rock Shaft
14	1953	Roller and Stud with 1655C and 37310 (2)
15	200545C	Link Screw
16	239266	Lateral Rock Shaft Driven Arm Driving Link
17	239263	Lateral Pivot Driving Arm with 350600XC
18	350600XC	Pinch Screw
19	201518E	Link Screw Nut
20	239264	Lateral Rock Shaft
21	37310	Washer
22	1655C	Nut
23	239343	Tripping Rock Shaft Lever Arm
24	200082E	Screw
25	239340	Tripping Rock Shaft
26	239361	Arm Hinge Stud
27	200364C	Set Screw
28	239240	Link Hinge Stud
29	239241	Link Retaining Ring
30	239239	Link
31	239238	Cam and Knife Follower Arm with 239239 and 239240
32	201539X	Roller Screw Stud Nut
33	225837	Roller Screw Stud Washer
34	351886	Knife Arm Roller 201896 with 350634
35	201896	Arm Roller
36	350634	Roller Screw Stud
37	239255	Knife Bar Actuating Rock Shaft
38	239256	Rock Shaft Bracket
39	201256C	Bracket Screw (2)
40	239363	Bracket Locating Pin
41	239259	Knife Bar Driving Lever with 200034C
42	200034C	Pinch Screw
43	234813	Collar with two 201052ALX
44	201052ALX	Set Screw
45	239344	Tripping Rock Shaft Support
46	200378C	Set Screw
47	239341	Tripping Rock Shaft Connection with 350606XC
48	350606XC	Pinch Screw

# PARTS FOR MACHINE No. 269w8

## LATERAL AND LONGITUDINAL ROCK SHAFTS



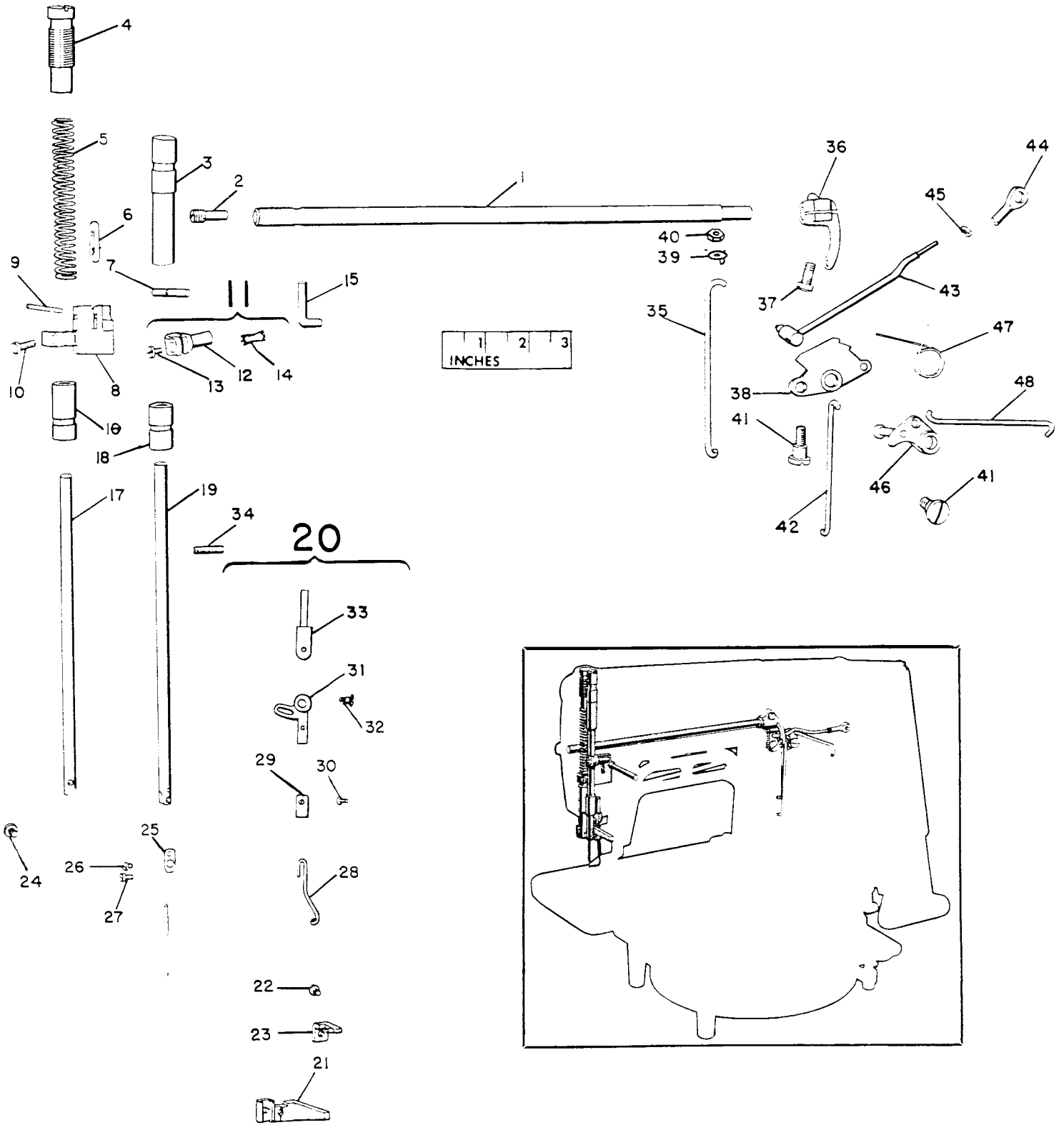
## PARTS FOR MACHINE No. 269w8

## NEEDLE BAR AND ARCH CLAMP LIFTING ROCK SHAFT ASSEMBLY

<u>Ref. No.</u>	<u>Part No.</u>	<u>Description</u>
1	239215	Arch Clamp Lifting Rock Shaft with 200430AL
2	200430AL	Lifting Link Connection Screw
3	239274	Needle Bar Bushing (upper)
4	350577X	Pressure Regulating Screw
5	239214	Spring
6	239217	Lifting Link
7	239327	Tension Release Rod
8	239213	Position Guide with 200072C, 239217 and 239515
9	239515	Lifting Link Hinge Pin
10	200072C	Pinch Screw
11	239276	Connecting Stud 239275 with 200086ALX and 239277
12	239275	Connecting Stud
13	200086ALX	Stud Pinch Screw
14	239277	Stud Oil Packing (wick)
15	239218	Lifting Link Connection
16	239212	Lifting Bar Bushing (lower)
17	239211	Arch Clamp Lifting Bar with 176X
18	239273	Needle Bar Bushing (lower)
19	239272	Needle Bar with 200125ALX, 201143X and 239376
20	239390	Thread Wiper (quick acting) complete, Nos. 330J, 39453, 63837, 200308C, 239336, 239387 to 239389 and 350064C
21	63837	Arch Clamp Foot Lifter
22	330J	Thread Wiper Body Finger Screw
23	39453	Thread Wiper Body Finger
24	176X	Screw
25	239376	Needle Bar Thread Guide
26	201143X	Guide Set Screw
27	200125ALX	Needle Set Screw
28	239389	Thread Wiper Body Wire (adjustable)
29	239336	Wire Clamping Plate
30	350064C	Wire Clamping Plate Screw
31	239387	Thread Wiper Body
32	200308C	Body Hinge Screw
33	239388	Body Support
34	200337C	Body Support Set Screw
35	239302	Starting Lever Lifting Rod
36	239216	Lifting Arm with 201256C
37	201256C	Lifting Arm Pinch Screw
38	239377	Starting Bell Crank
39	203357	Starting Bell Crank Washer
40	201540E	Crank Washer Nut
41	201083C	Hinge Screw (2)
42	239299	Starting Lever Arm Lifting Rod
43	239378	Starting Lever Starting Rod
44	239305	Starting Lever Starting Rod Adjustor
45	201540E	Rod Lock Nut
46	239294	Starting Bell Crank Pawl
47	239295	Pawl Return Spring
48	239342	Tripping Rock Shaft Connection Rod

# PARTS FOR MACHINE No. 269w8

## NEEDLE BAR AND ARCH CLAMP LIFTING ROCK SHAFT ASSEMBLY



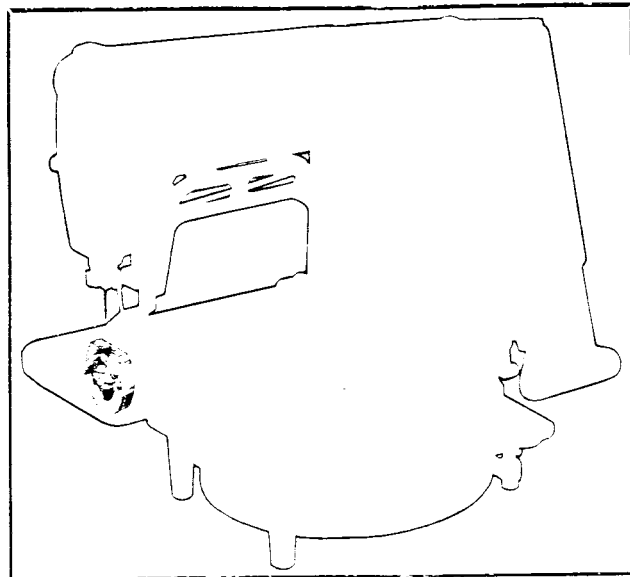
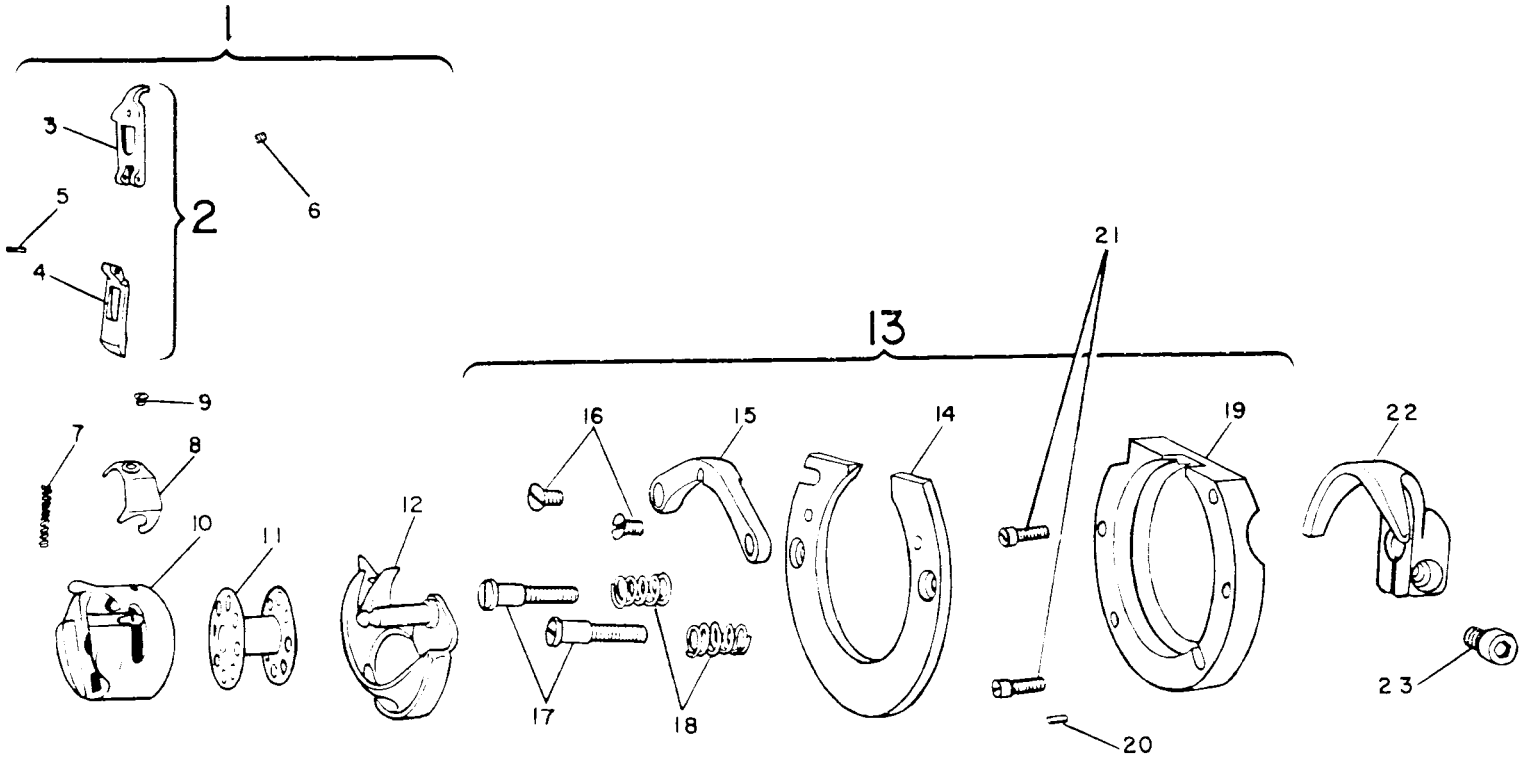
## PARTS FOR MACHINE No. 269w8

## SHUTTLE BOBBIN AND RACE ASSEMBLIES

<u>Ref. No.</u>	<u>Part No.</u>	<u>Description</u>
1	239287	Shuttle, 1-11/16 in. diam., Nos. 23500, 40028 and 43725
2	15141	Hinge, Nos. 2973, 2974 and 15140
3	15140	Latch
4	2973	Latch Lever
5	2974	Latch Lever Fulcrum Pin
6	592E	Latch Stop Screw
7	2975	Latch Spring
8	224842	Tension Spring
9	591F	Regulating Screw
10	43725	Shuttle Bobbin Case with 591F, 592E, 2975, 15141 and 224842
11	23500	Shuttle Bobbin
12	40028	Shuttle Body
13	239292	Shuttle Race complete, Nos. 239285, 239289, 239290, two each 51381F, 201148X and 239291
14	239290	Race Ring
15	239285	Case Position Plate
16	201148X	Case Position Plate Screw
17	51381F	Ring Spring Screw
18	239291	Ring Spring
19	239289	Body with 239365
20	239365	Body Oiling Felt
21	51403J	Body Screw (2)
22	239288	Shuttle Driver (central bobbin) with 350606XC
23	350606XC	(central bobbin) Pinch Screw

# PARTS FOR MACHINE No. 269w8

## SHUTTLE BOBBIN AND RACE ASSEMBLIES





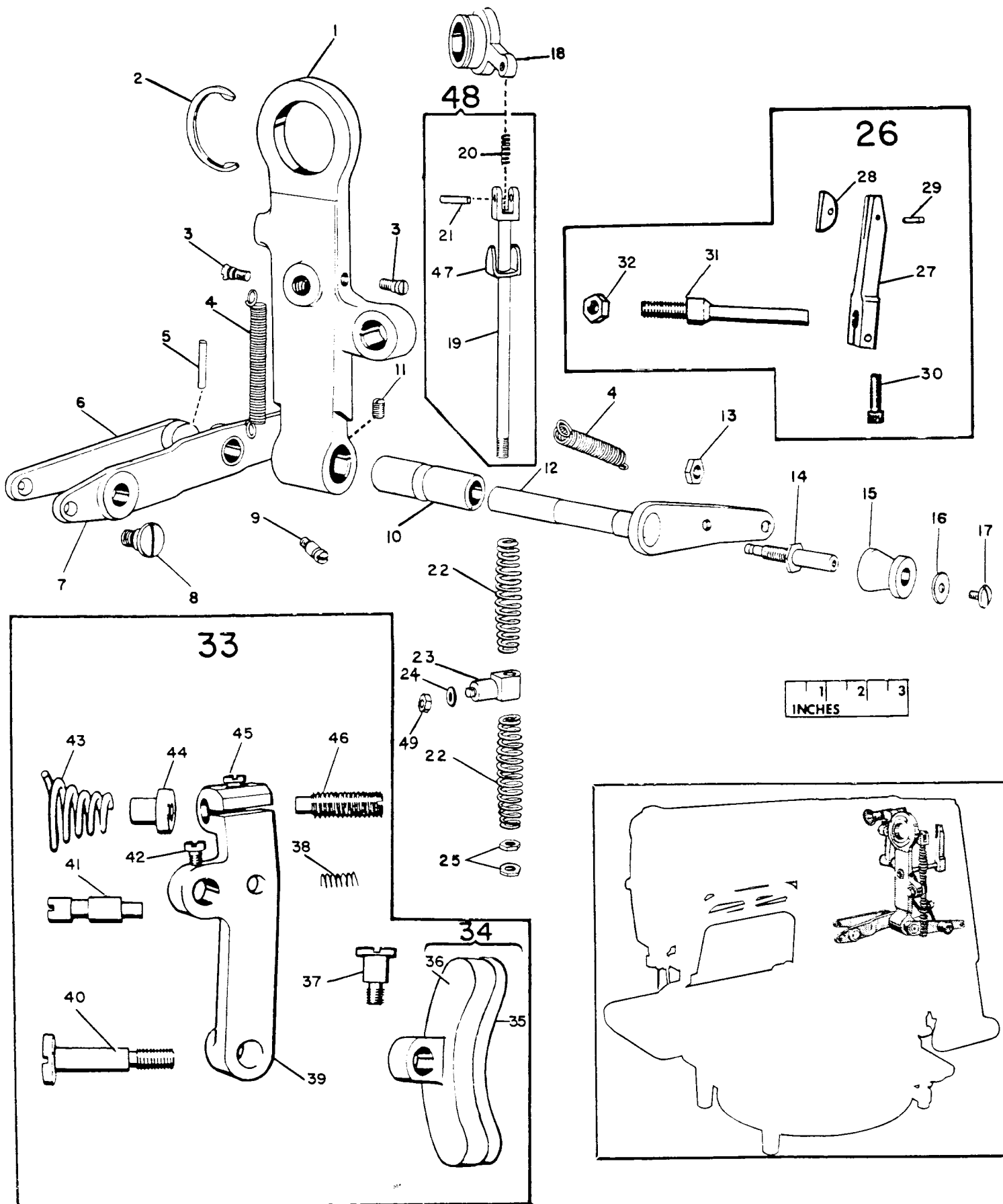
## PARTS FOR MACHINE No. 269w8

## STARTING LEVER ASSEMBLY

<u>Ref. No.</u>	<u>Part No.</u>	<u>Description</u>
1	239296	Starting Lever with 200364C
2	239307	Retaining Ring
3	350112E	Spring Screw Stud (upper) (2)
4	214053	Spring (2)
5	239515	Position Pin
6	239297	Starting Lever Arm (operated)
7	239303	Operating Lever Arm
8	201422C	Arm Stud Screw
9	201356E	Screw Stud (lower)
10	239301	Bushing
11	200364C	Set Screw
12	239298	Starting Lever Arm and Rock Shaft
13	201525E	Spring Stud Nut
14	228810	Spring Stud
15	228812	Tension Pulley
16	232837	Tension Pulley Retaining Screw Washer
17	201135C	Tension Pulley Retaining Screw
18	239516	Interlocking Arm
19	239517	Interlocking Arm Stop Rod
20	202342	Stop Rod Hinge Pin Tension Spring
21	239518	Stop Rod Hinge Pin
22	239309	Stop Rod Spring (2)
23	239310	Stop Rod Swivel
24	228032	Stop Rod Swivel Washer
25	201736E	Nut (2)
26	239381	Machine Pulley (loose) Engaging Arm 239379 with 239380
27	239379	Machine Pulley (loose) Engaging Arm with 239320, 239321 and 350600XC
28	239320	Wear Block
29	239321	Wear Block Pin
30	350600XC	Pinch Screw
31	239380	Machine Pulley (loose) Engaging Arm Stud with 201747X
32	201747X	Lock Nut
33	239514	Stop Motion Brake complete, Nos. 200428C, 201075F, 223812, 225708, 239510 to 239513 and 350676C
34	239510	Stop Motion Brake Shoe Support 239509 with 239508
35	239508	Stop Motion Brake Shoe (leather)
36	239509	Brake Shoe Support
37	201075F	Support Hinge Screw
38	223812	Support Spring
39	239511	Support Bracket with 200110D and 350411C
40	350676C	Bracket Hinge Screw
41	239513	Support Bracket Stud (eccentric)
42	200110D	Support Bracket Stud Screw
43	225708	Support Bracket Pressure Spring
44	239512	Pressure Spring Sleeve
45	350411C	Pressure Spring Adjusting Screw Pinch Screw
46	200428C	Pressure Spring Adjusting Screw
47	239519	Starting Lever Stop Cam Interlocking Arm Stop Rod Hinge Pin Retainer
48	239520	Starting Lever Stop Cam Interlocking Arm complete, Nos. 202342 and 239517 To 239519
49	201527C	Nut

PARTS FOR MACHINE No. 269w8

STARTING LEVER ASSEMBLY



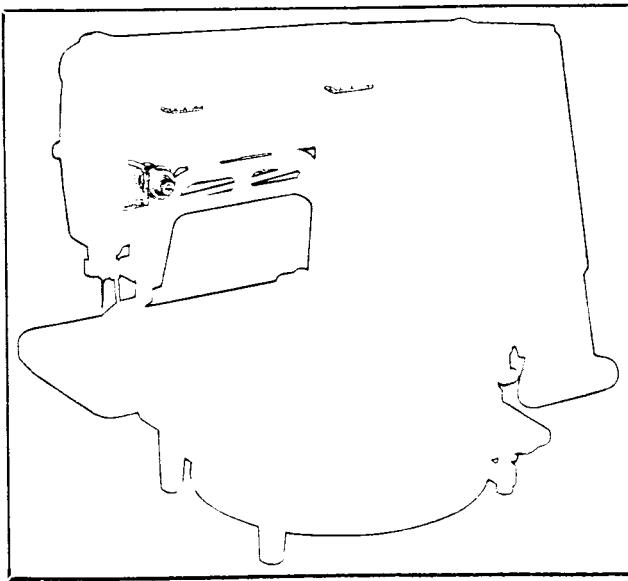
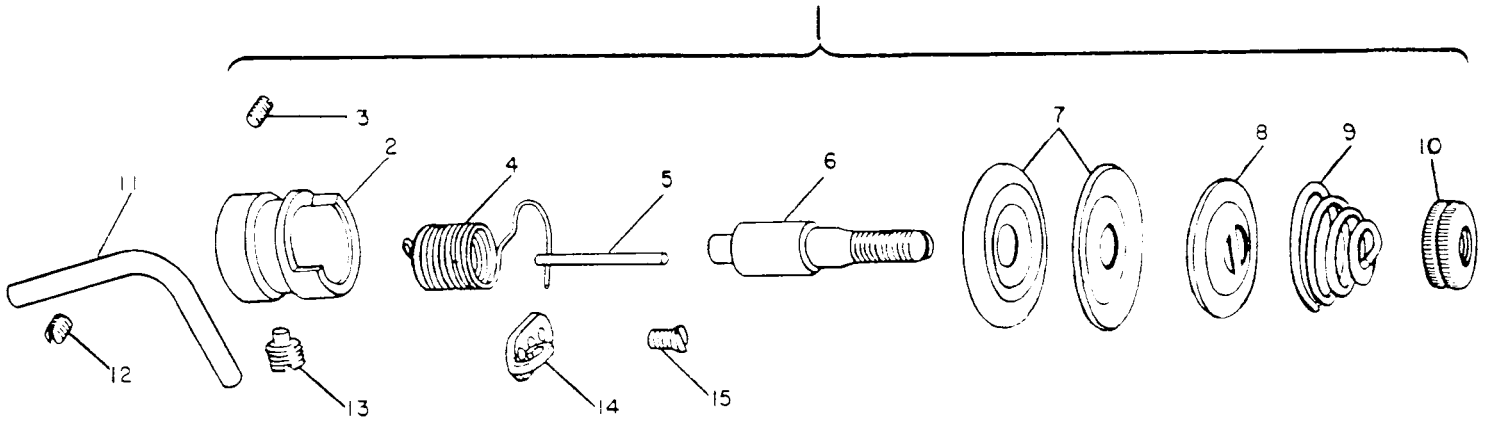
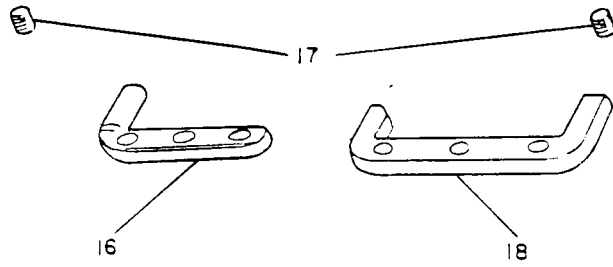
## PARTS FOR MACHINE No. 269w8

## THREAD GUIDE, RETAINERS AND TENSION COMPLETE

<u>Ref. No.</u>	<u>Part No.</u>	<u>Description</u>
1	239366	Tension complete, Nos. 1560F, 2103, 32572, 52082, 270278, 270281, 350457C and two 2102
2	270281	Spring Regulator with 200377C
3	200377C	Tension Stud Set Screw
4	52082	Thread Take-up Spring
5	270278	Tension Releasing Pin
6	350457C	Tension Stud
7	2102	Tension Disc
8	32572	Tension Releasing Disc
9	2103	Tension Spring
10	1560F	Tension Thumb Nut
11	239328	Tension Thread Guard
12	200366X	Tension Thread Guard Set Screw
13	200442C	Thread Take-up Spring Regulator Set Screw
14	210954	Thread Guide
15	200582X	Thread Guide Screw
16	270080	Thread Retainer (front)
17	350559X	Thread Retainer Screw (2)
18	271018	Thread Retainer (back)

PARTS FOR MACHINE No. 269w8

THREAD GUIDE, RETAINERS AND TENSION COMPLETE



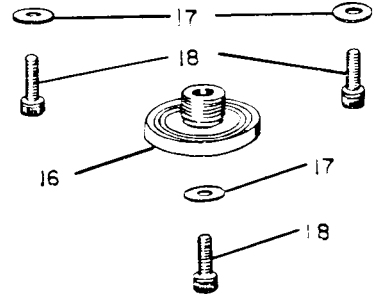
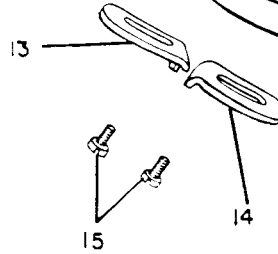
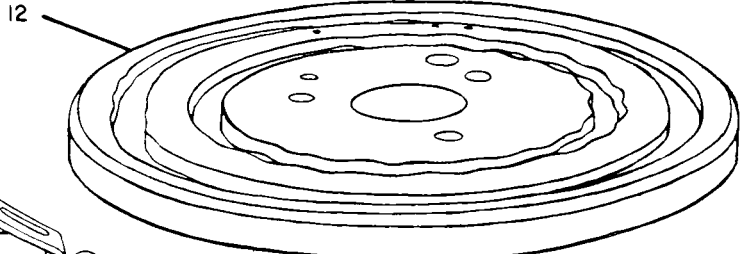
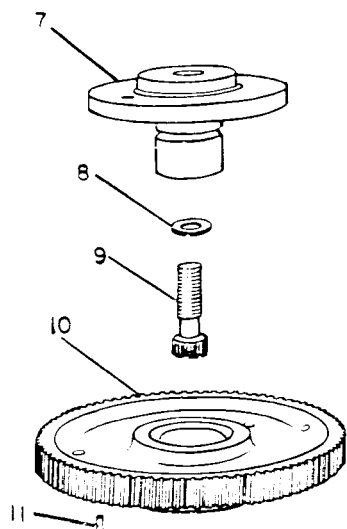
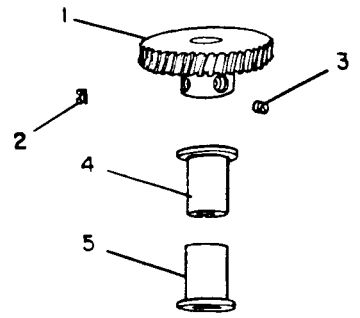
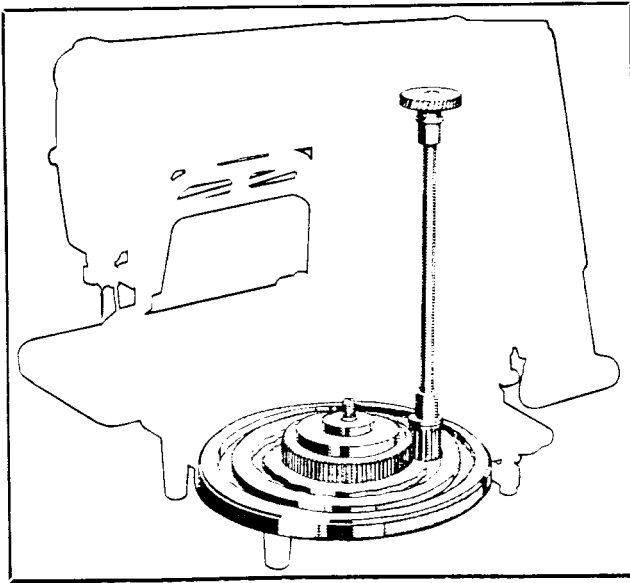
## PARTS FOR MACHINE No. 269w8

## VERTICAL DRIVE SHAFT AND FEED AND KNIFE DRIVING CAM

<u>Ref. No.</u>	<u>Part No.</u>	<u>Description</u>
1	239348	Worm Gear with 200354C and 200362C
2	200362C	Worm Gear Set Screw
3	200354C	Worm Gear Position Screw
4	239346	Bushing (upper)
5	239364	Bushing (lower)
6	239345	Vertical Drive Shaft
7	239244	Bracket
8	202005	Bracket Screw Washer
9	350627ALX	Bracket Screw
10	239243	Supporting Gear with 239245
11	239245	Locating Pin
12	239237	Feed and Knife Driving Cam with 239246, 239247 and two 200064C
13	239246	Tripping Point (first trip)
14	239247	Tripping Point (positive trip)
15	200064C	Tripping Point Screw
16	350601C	Supporting Gear Screw
17	210805	Mounting Screw Washer (3)
18	350600XC	Mounting Screw (3)

NOTE: Tripping Point (First Trip) not included in Machines fitted  
with Stop Motion Brake

PARTS FOR MACHINE No. 269w8  
VERTICAL DRIVE SHAFT  
AND FEED AND KNIFE DRIVING CAM

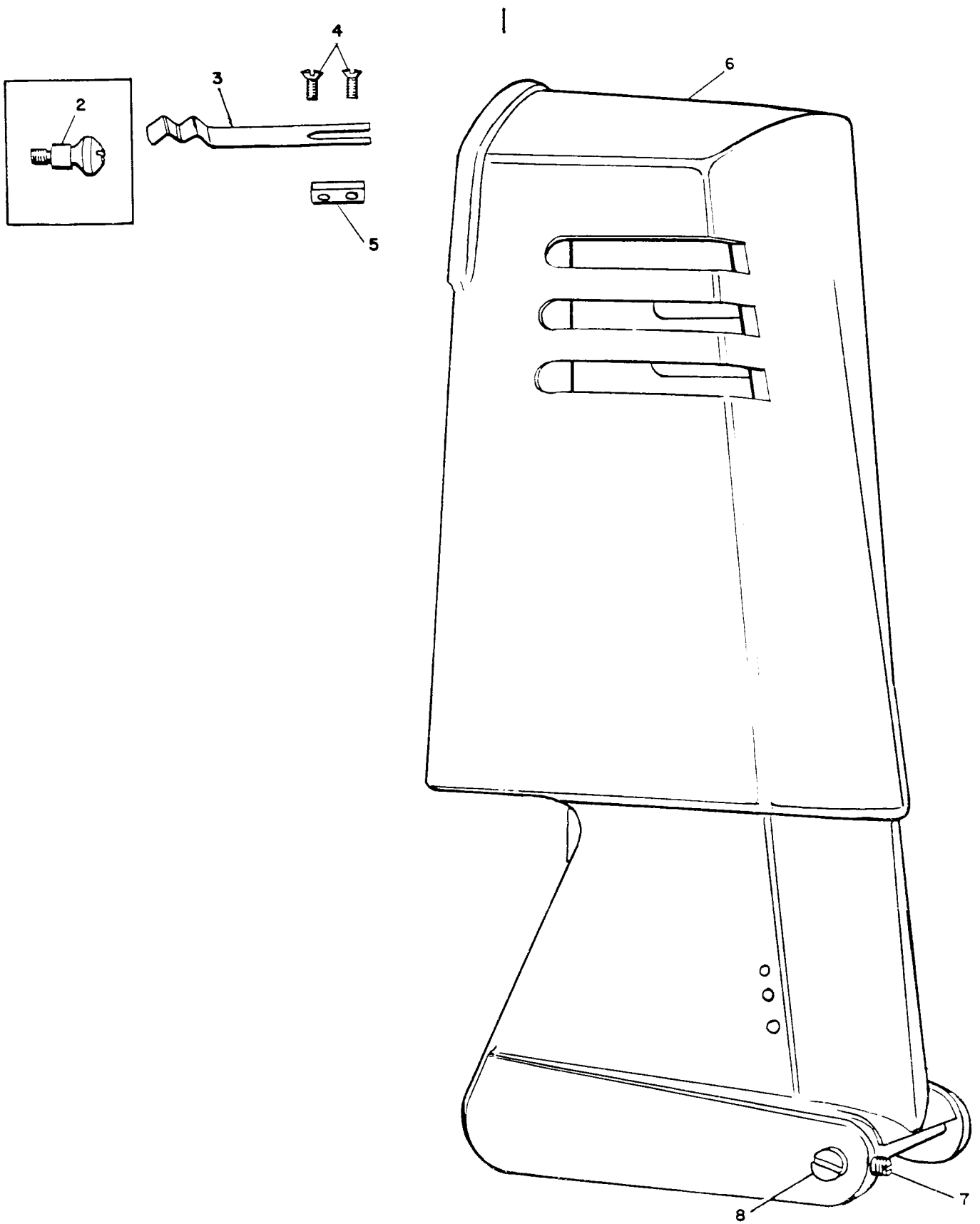


## PARTS FOR MACHINE No. 269w8

## BELT GUARD

<u>Ref.</u> <u>No.</u>	<u>Part</u> <u>No.</u>	<u>Description</u>
1	239375	Belt Guard complete, Nos. 239354, 239356, 239357, 268197 and two 200571XC
2	350608C	Belt Guard Lock Spring Screw Stud
3	239357	Belt Guard Lock Spring
4	200571XC	Belt Guard Lock Spring Plate Screw
5	268197	Belt Guard Lock Spring Plate
6	239354	Belt Guard with 200378C
7	200378C	Belt Guard Hinge Pin Set Screw
8	239356	Belt Guard Hinge Pin

PARTS FOR MACHINE No. 269w8  
BELT GUARD



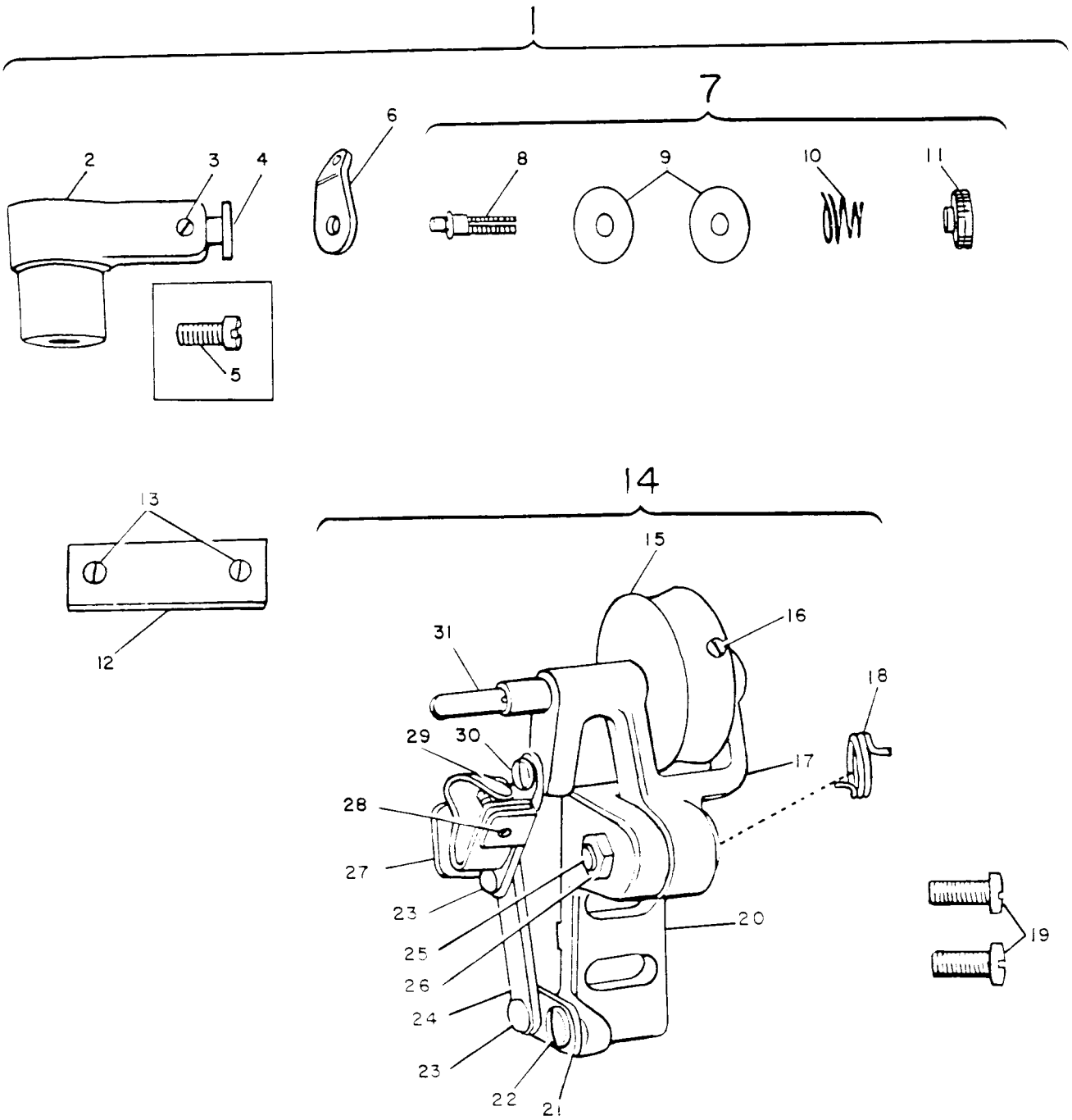


## PARTS FOR MACHINE No. 269w8

## BOBBIN WINDER

<u>Ref. No.</u>	<u>Part No.</u>	<u>Description</u>
1	228800	Light and Bobbin Winder Thread Tension Adjusting Stud Bracket 228799 with 5989, 228798 and 268122
2	228799	Light and Bobbin Winder Thread Tension Adjusting Stud Bracket with 201188C
3	201188C	Tension Adjusting Stud Set Screw
4	228798	Tension Adjusting Stud
5	200084XC	Light and Bobbin Winder Thread Tension Adjusting Stud Bracket Set Screw
6	268122	Tension Guide
7	5989	Bobbin Winder Thread Tension complete, Nos. 418D, 1562X, 10141 and two 2455
8	418D	Tension Stud
9	2455	Tension Disc
10	10141	Tension Spring
11	1562X	Tension Thumb Nut
12	228792	Brake (leather)
13	350238D	Brake Screw (2)
14	228797	Bobbin Winder complete, Nos. 1620X, 50356D, 200056E, 200299X, 200989X, 202478, 225444, 225458, 228791, 228793 to 228796, 249716 and two 225459
15	228793	Pulley with 200436C
16	200436C	Pulley Set Screw
17	228795	Spindle Housing
18	249716	Spindle Housing Spring
19	201256C	Bracket Screw (2)
20	228791	Bracket
21	228796	Stop Latch Thumb Lever Plate
22	200989X	Stop Latch Thumb Lever Plate Screw
23	225459	Joint Stud
24	225458	Stop Latch Thumb Lever
25	50356D	Spindle Housing Screw
26	1620X	Spindle Housing Screw Nut
27	202478	Stop Latch Trip Lever
28	200056E	Stop Latch Screw
29	225444	Stop Latch
30	200299X	Stop Latch Trip Lever Hinge Screw
31	228794	Spindle

# PARTS FOR MACHINE No. 269w8 BOBBIN WINDER



## PARTS FOR MACHINE No. 269w7

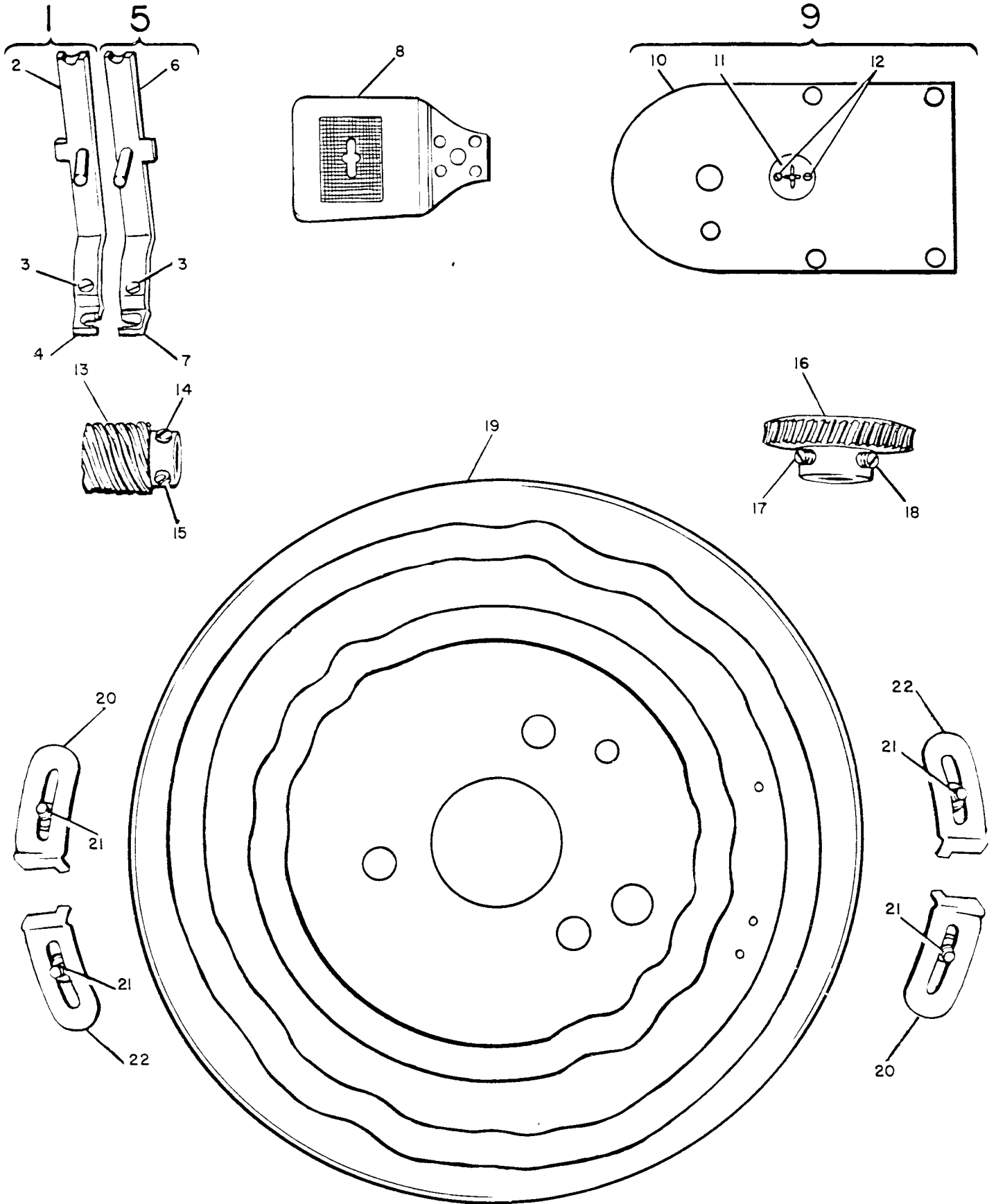
## FOR SHOE TACKING

SAME AS MACHINE NO. 269W8 WITH THE FOLLOWING EXCEPTIONS:

<u>Ref. No.</u>	<u>Part No.</u>	<u>Description</u>
1	239465	Arch Clamp Foot Shank (left) 239202 with 202X and 239463
2	239202	Foot Shank (left)
3	202X	Foot Screw
4	239463	Arch Clamp Foot (left)
5	239466	Arch Clamp Foot Shank (right) 239204 with 202X and 239464
6	239204	Foot Shank (right)
7	239464	Arch Clamp Foot (right)
8	39304	Feed Plate
9	239469	Throat Plate 239337 with 239468 and two 1208J
10	239337	Throat Plate
11	239468	Throat Plate Needle Hole Bushing (40 needle hole)
12	1208J	Needle Hole Bushing Screw
13	239471	Vertical Drive Shaft Worm with 200382ALX and 201220ALX in place of 239347
14	200382ALX	Worm Set Screw
15	201220ALX	Worm Position Screw
16	239472	Vertical Drive Shaft Worm Gear with 200354C and 200362C, in place of 239348
17	200362C	Worm Gear Set Screw
18	200354C	Worm Gear Position Screw
19	239461	Feed and Knife Driving Cam with two each 239246, 239247 and four 200064C, in place of 239237
20	239246	Tripping Point (first trip)
21	200064C	Tripping Point Screw
22	239247	Tripping Point (positive trip)
	239467	Arch Clamp complete, Nos. 39304, 201526E, 239201, 239207, 239209, 239248, 239249, 239465, 239466, 239473, 350602X, 350605XC, two each 201711C, 239206, 350218C and five 350132X, in place of 239210
	239470	Throat Plate complete, Nos. 17828, 50018F, 200138E, 201711C, 200138E, 239367, 239368 and 239469, in place of 239339

NOTE: Tripping Point (First Trip) not included in Machines fitted with Stop Motion Brake

# PARTS FOR MACHINE No. 269w7



## PARTS FOR MACHINE No. 269w9

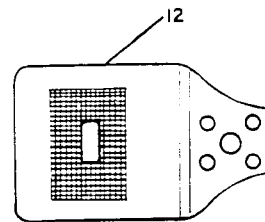
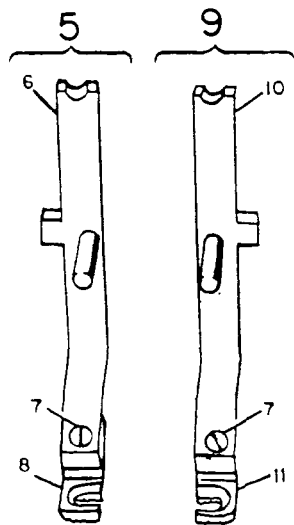
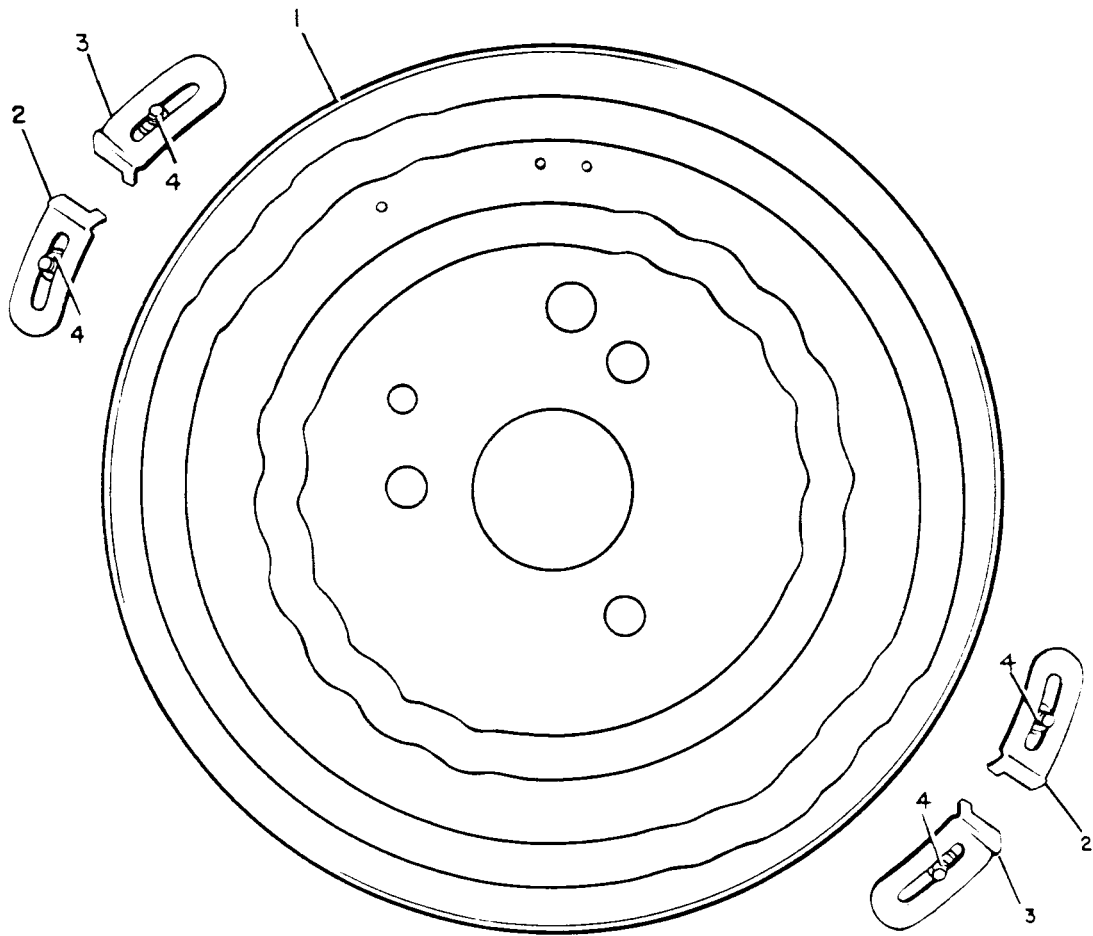
FOR BARRING BUTTONHOLES, FASTENING BOWS AND OTHER  
ORNAMENTS ON SHOES OR GARMENTS.

SAME AS MACHINE NO. 269w8 WITH THE FOLLOWING EXCEPTIONS:

<u>Ref. No.</u>	<u>Part No.</u>	<u>Description</u>
1	239406	Feed and Knife Driving Cam with two each 239246, 239247 and four 200064C, in place of 239237
2	239247	Tripping Point (positive trip)
3	239246	Tripping Point (first trip)
4	200064C	Tripping Point Screw
5	239403	Arch Clamp Foot Shank (left) 239202 with 202X and 239401
6	239202	Foot Shank (left)
7	202X	Foot Screw
8	239401	Foot (left)
9	239404	Arch Clamp Foot Shank (right) 239204 with 202X and 239402
10	239204	Foot Shank (right)
11	239402	Foot (right)
12	18459	Feed Plate
	239405	Arch Clamp complete, Nos. 18459, 201526E, 239201, 239207, 239209, 239248, 239249, 239403, 239404, 239473, 350602X, 350605XC, two each 201711C, 239206, 350218C and five 350132X, in place of 239210

NOTE: Tripping Point (First Trip) not included in Machines fitted  
with Stop Motion Brake

# PARTS FOR MACHINE No. 269w9



## PARTS FOR MACHINE No. 269wII

FOR BARRING, SEWING STRAPS ON UNDERWEAR, ETC.

SAME AS MACHINE NO. 269w8 WITH THE FOLLOWING EXCEPTIONS:

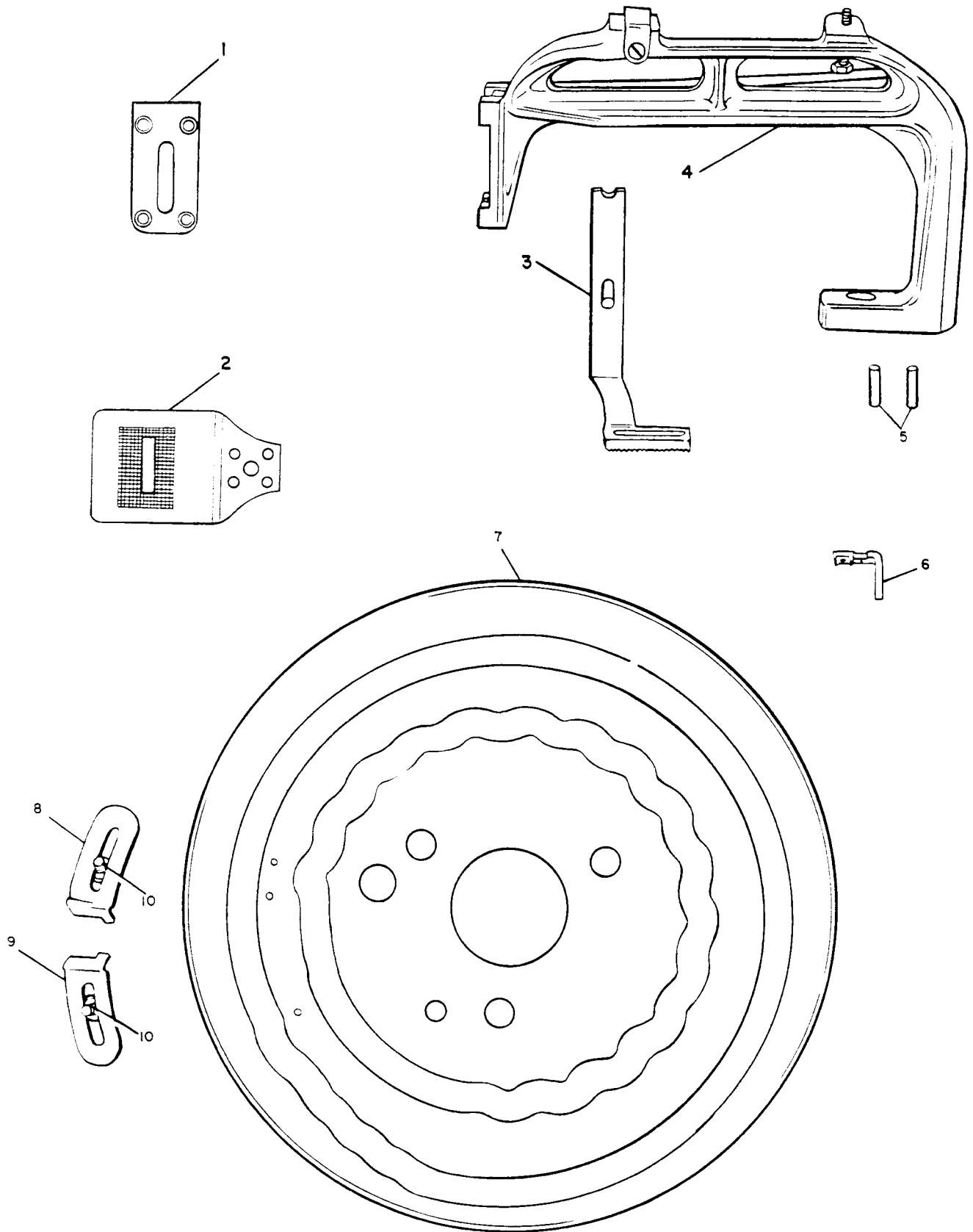
<u>Ref. No.</u>	<u>Part No.</u>	<u>Description</u>
1	239415	Arch Clamp Foot Retaining Plate
2	239419	Feed Plate
3	239411	Arch Clamp Foot (solid)
4	239412	Arch Clamp Frame (offset universal) with two 239208
5	239208	Frame Dowel Pin
6	124906	Arch Clamp Foot Lifter
7	239414	Feed and Knife Driving Cam with 239246, 239247 and two 200064C in place of 239237
8	239246	Tripping Point (first trip)
9	239247	Tripping Point (positive trip)
10	200064C	Tripping Point Screw
	239413	Arch Clamp complete, Nos. 201526E, 201711C, 239206, 239209, 239248, 239249, 239411, 239412, 239415, 239419, 239473, 350218C, 350602X, 350605XC and five 350132X in place of 239210
	239504	Thread Wiper (quick acting) complete, Nos. 330J, 39453, 124906, 200308C, 239336, 239387 to 239389 and 350064C in place of 239390

Note: The following Parts to be used in above Machine where Split Feet are necessary.

239418	Arch Clamp Foot (left)
239481	Arch Clamp Foot Shank (left) 239202 with 202X and 239418
239417	Arch Clamp Foot (right)
239482	Arch Clamp Foot Shank (right) 239204 with 202X and 239417
239483	Arch Clamp complete, Nos. 201526E, 239201, 239207, 239209, 239248, 239249, 239419, 239473, 239481, 239482, 350602X, 350605XC, two each 201711C, 239206, 350218C and five 350132X (used in place of 239413 where Split Feet are necessary in above Machine)

Note: Tripping Point (first trip) not included in Machines fitted with Stop Motion Brake

# PARTS FOR MACHINE No. 269w11





## PARTS FOR MACHINE No. 269w14

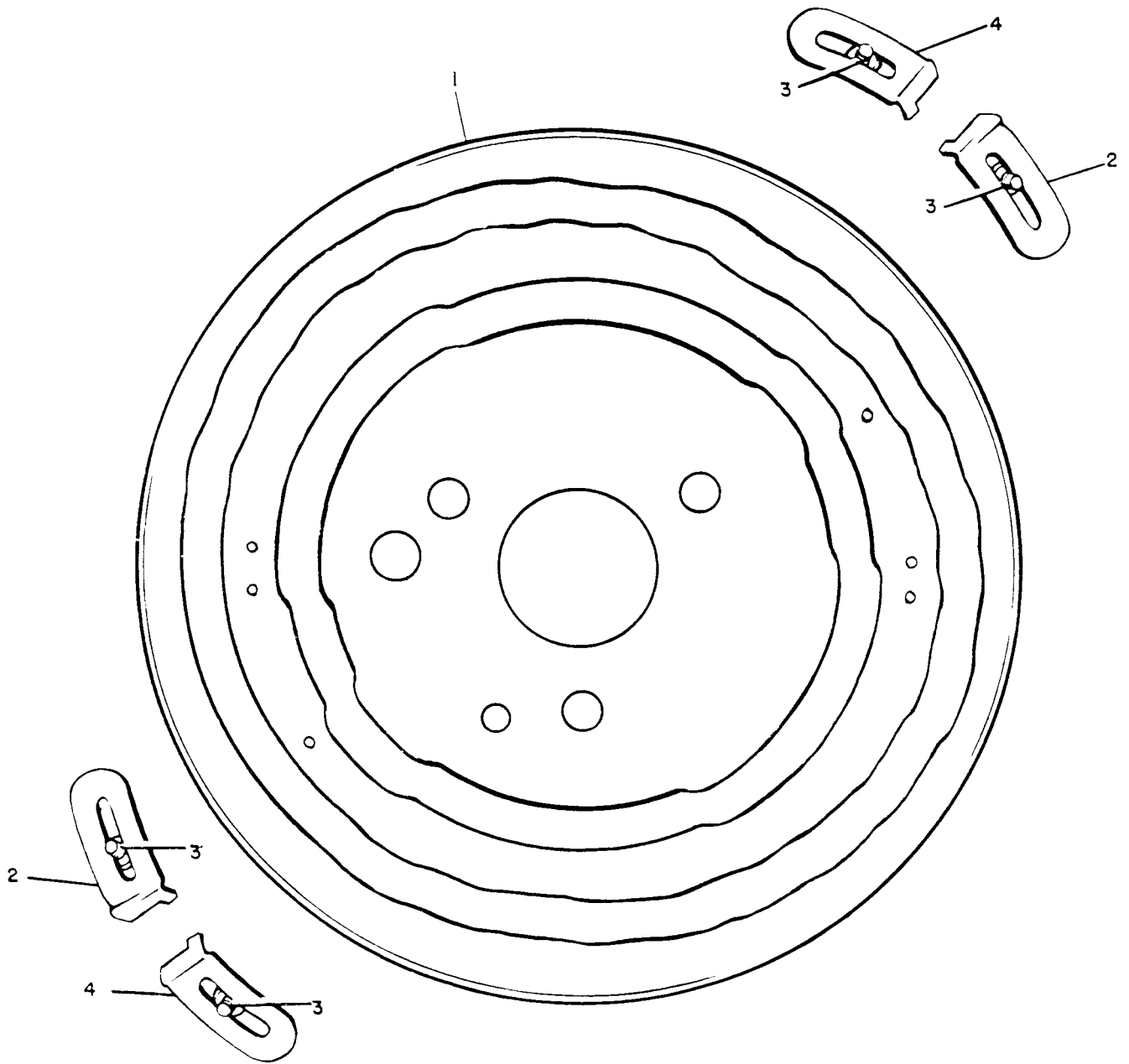
FOR SHOE TACKING

SAME AS MACHINE NO. 269W8 WITH THE FOLLOWING EXCEPTIONS:

<u>Ref. No.</u>	<u>Part No.</u>	<u>Description</u>
1	239462	Feed and Knife Driving Cam with two 239246, 239247 and four 200064C in place of 239237
2	239246	Tripping Point (first trip)
3	200064C	Tripping Point Screw
4	239247	Tripping Point (positive trip)

NOTE: Tripping Point (First Trip) not included in Machines fitted  
with Stop Motion Brake

PARTS FOR MACHINE No. 269w14



## PARTS FOR MACHINE No. 269w26

FOR BARRING POCKETS ON CLOTHING AND OTHER

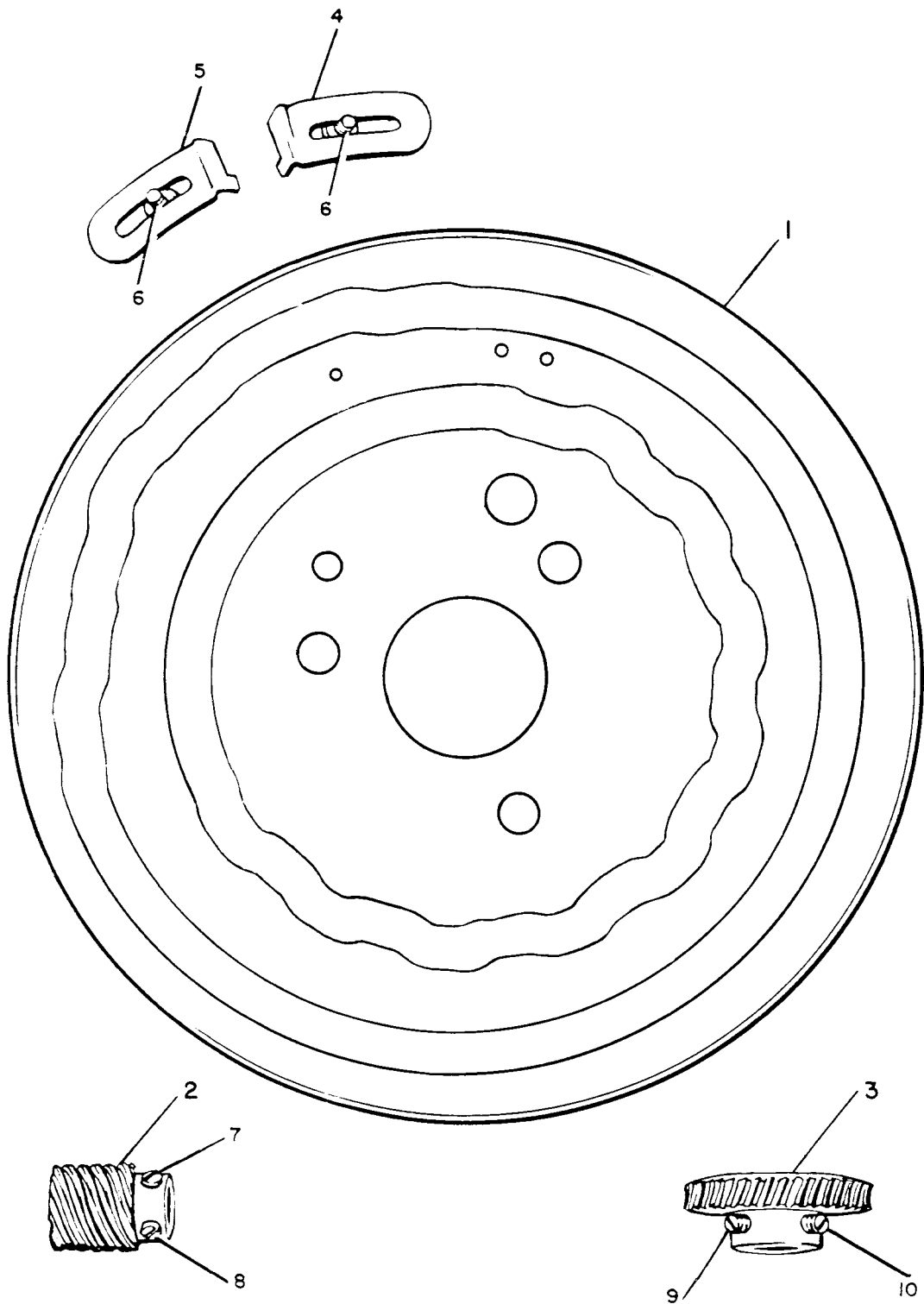
GENERAL BARRING AND TACKING OPERATIONS

SAME AS MACHINE NO. 269w8 WITH THE FOLLOWING EXCEPTIONS:

<u>Ref. No.</u>	<u>Part No.</u>	<u>Description</u>
1	239421	Feed and Knife Driving Cam with 239246, 239247 and two 200064C, in place of 239237
2	239422	Vertical Drive Shaft Worm with 200382ALX and 201220ALX in place of 239347
3	239423	Vertical Drive Shaft Worm Gear with 200354C and 200362C in place of 239348
4	239246	Tripping Point (first trip)
5	239247	Tripping Point (positive trip)
6	200064C	Tripping Point Screw
7	200382ALX	Worm Set Screw
8	201220ALX	Worm Position Screw
9	200362C	Worm Gear Set Screw
10	200354C	Worm Gear Position Screw

NOTE: Tripping Point (First Trip) not included in Machines fitted with Stop Motion Brake

## PARTS FOR MACHINE No. 269w26



## PARTS FOR MACHINE No. 269w38

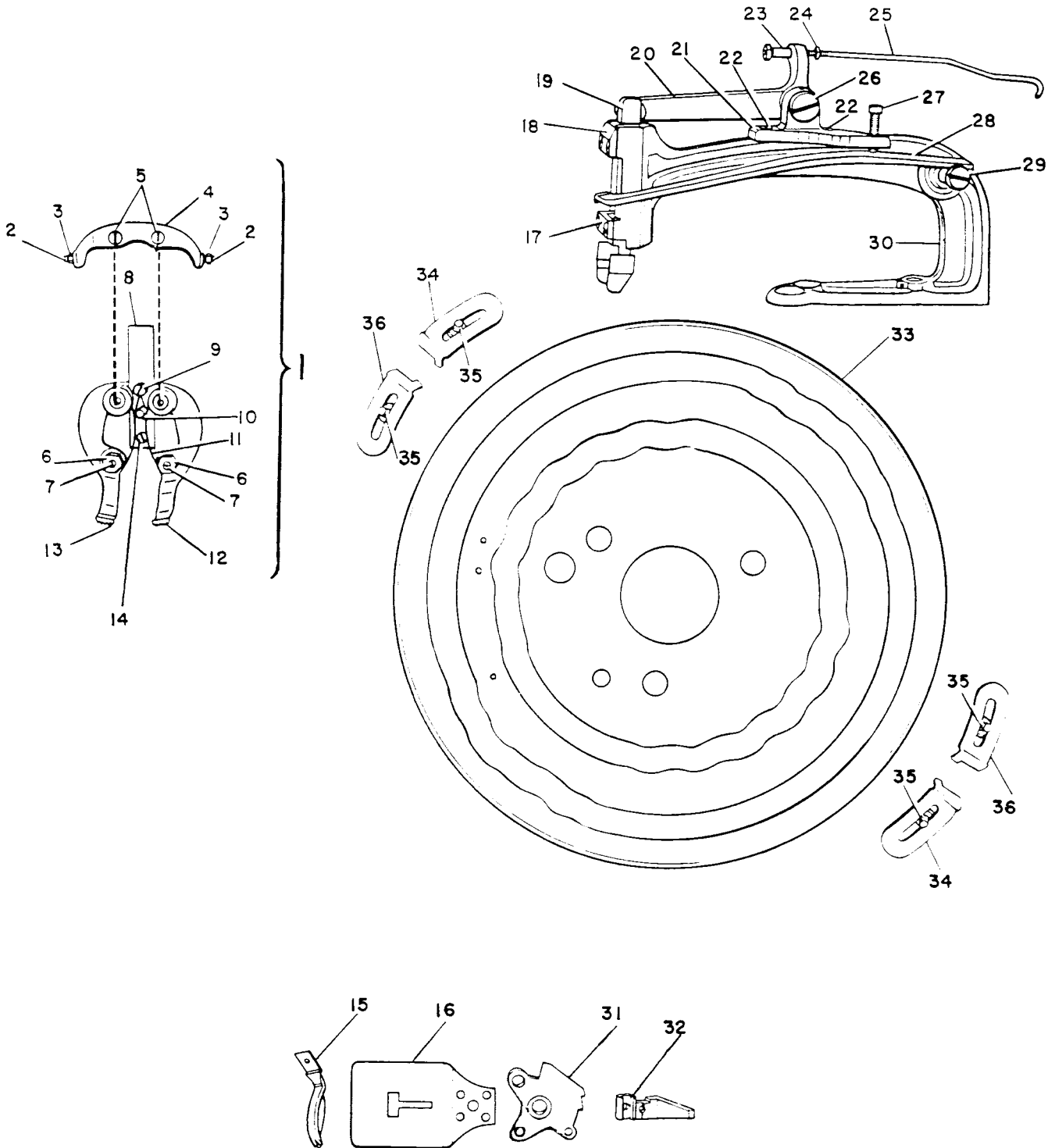
FOR BARRING BUTTONHOLES IN CLOTHING

SAME AS MACHINE NO. 269w8 WITH THE FOLLOWING EXCEPTIONS:

Ref. No.	Part No.	Description
1	63985	Arch Clamp Foot Plate 63984 with 51041C, 63954, 63955, 63983, 63986, two each 190J, 910AL and 1601J
2	910AL	Arch Clamp Foot Adjusting Screw
3	1601J	Arch Clamp Foot Adjusting Screw Nut
4	63983	Arch Clamp Foot Adjusting Screw Bracket
5	190J	Arch Clamp Foot Adjusting Screw Bracket Screw
6	1611E	Arch Clamp Foot Roller and Screw Stud Nut
7	51854	Arch Clamp Foot Roller and Screw Stud (eccentric) with 1611E
8	63984	Arch Clamp Foot Plate with 17959
9	51041C	Arch Clamp Foot Spring Screw
10	17959	Arch Clamp Foot Lifting Stud
11	63986	Arch Clamp Foot Spring
12	63955	Arch Clamp Foot (right) with 51854
13	63954	Arch Clamp Foot (left) with 51854
14	405E	Arch Clamp Bar Locating Finger Screw
15	63947	Arch Clamp Bar Locating Finger with *63969
16	63965	Feed Plate
17	63957	Arch Clamp Foot Plate Cap (lower)
18	63958	Arch Clamp Foot Plate Cap (upper)
19	63953	Arch Clamp Closing Slide
20	239451	Arch Clamp Closing Bell Crank with *239452
21	63949	Arch Clamp Closing Bell Crank Bracket
22	183J	Arch Clamp Closing Bell Crank Bracket Screw
23	239454	Arch Clamp Closing Bell Crank Connecting Rod Stop
24	201535E	Arch Clamp Closing Bell Crank Connecting Rod Stop Nut
25	239453	Arch Clamp Closing Bell Crank Connecting Rod
26	28C	Arch Clamp Closing Bell Crank Hinge Screw
27	141C	Arch Clamp Pressure Spring Regulating Screw
28	63987	Arch Clamp Pressure Spring
29	788D	Arch Clamp Pressure Spring Screw Stud
30	239455	Arch Clamp Frame (universal) with two 239208
31	239459	Starting and Clamp Closing Bell Crank, in place of 239377
32	239502	Arch Clamp Foot Lifter
33	239450	Feed and Knife Driving Cam with two each 239246, 239247 and four 200064C, in place of 239237
34	239246	Tripping Point (first trip)
35	200064C	Tripping Point Screw
36	239247	Tripping Point (positive trip)
37	239208	Frame Dowel Pin
	*63969	Arch Clamp Bar Locating Finger Pointer
	*239452	Arch Clamp Closing Bell Crank Stud
	239456	Arch Clamp complete, Nos. 28C, 141C, 405E, 788D, 63947, 63949, 63953, 63957, 63958, 63965, 63985, 63987, 201526E, 239248, 239249, 239451, 239455, 239473, two each 183J, 350605XC and four 350132X, in place of 239210
	239503	Thread Wiper (quick acting) complete, Nos. 330J, 39453, 200308C, 239336, 239387 to 239389, 239502 and 350064C in place of 239390

NOTE: Tripping Point (First Trip) not included in Machines fitted with Stop Motion Brake

# PARTS FOR MACHINE No. 269w38



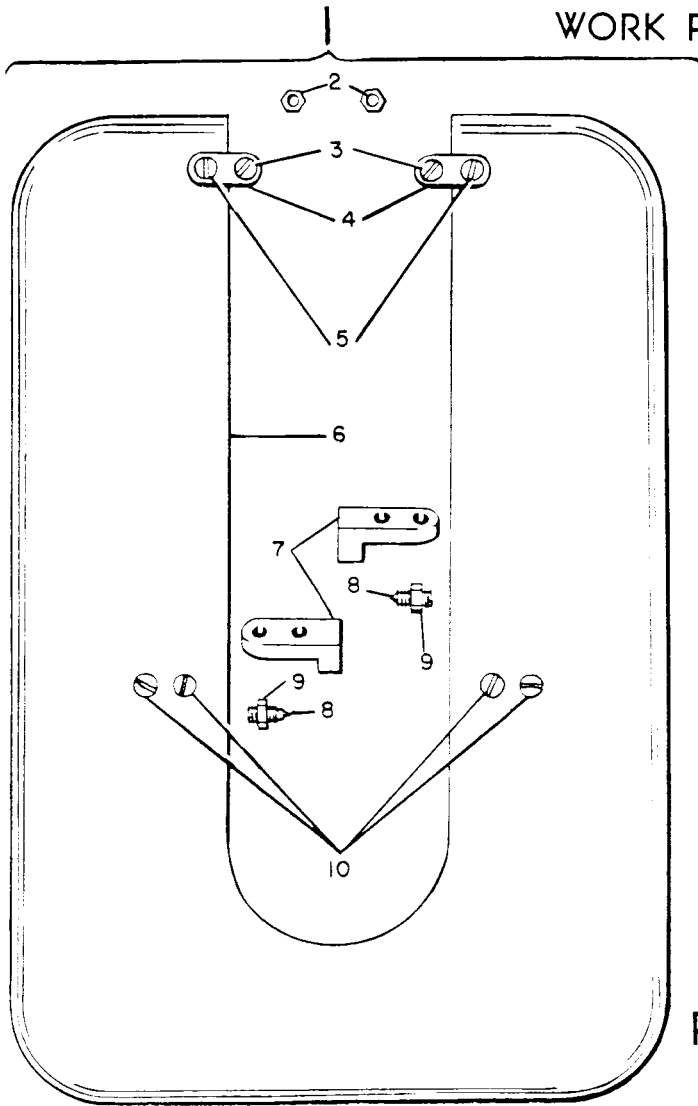
## PARTS FOR MACHINES Nos. 269w38 AND 269w39

SAME AS MACHINE NO. 269W8 WITH THE FOLLOWING EXCEPTIONS:

<u>Ref. No.</u>	<u>Part No.</u>	<u>Description</u>
1	239394	Work Plate complete, Nos. 239391, two each 742X, 200400C, 201524C, 201711C, 239392, 239393 and six 691X
2	201711C	Work Plate Support Screw Nut
3	742X	Work Plate Support Strap Screw
4	239393	Work Plate Support Strap
5	691X	Work Plate Support Screw
6	239391	Work Plate
7	239392	Work Plate Bracket
8	200400C	Work Plate Adjusting Screw
9	201524C	Work Plate Adjusting Screw Nut
10	691X	Work Plate Bracket Screw

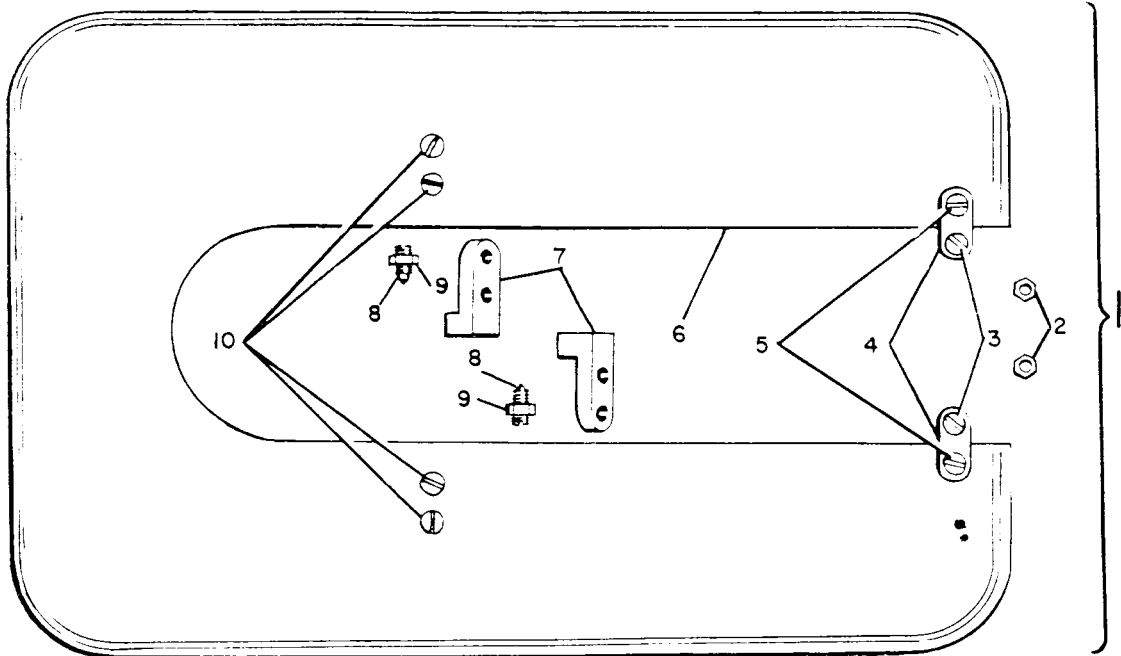
# PARTS FOR MACHINES Nos. 269w38 AND 269w39

## WORK PLATE



## PARTS FOR MACHINE No. 269w39

### FOR SUBMERGED PARALLEL MOUNTING





## PARTS FOR MACHINE No. 269w39

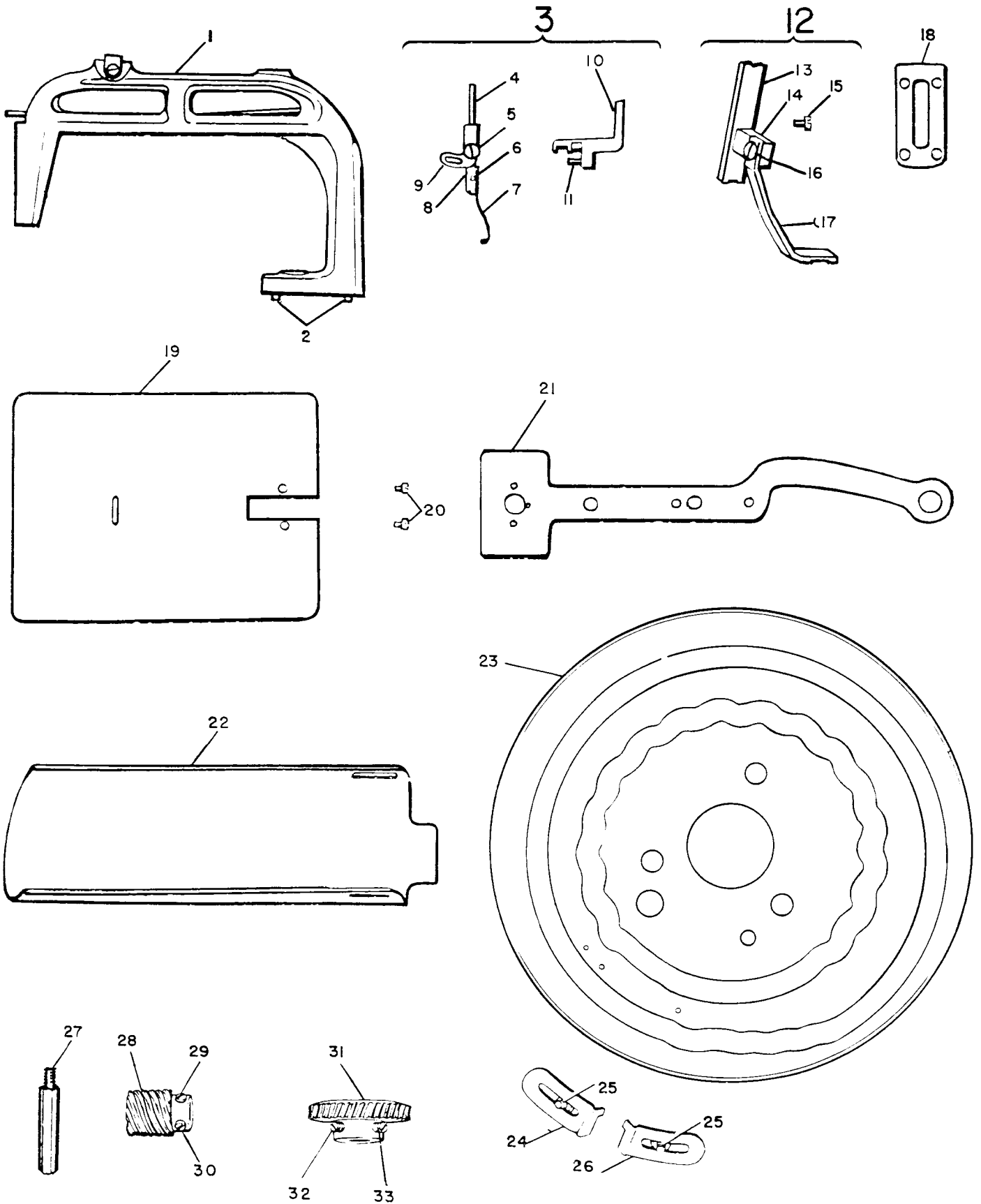
FOR TACKING BELT LOOPS ON TROUSERS, SLACKS, SPORTSWEAR,  
SHIRTS, ETC.

SAME AS MACHINE NO. 269W8 WITH THE FOLLOWING EXCEPTIONS:

<u>Ref. No.</u>	<u>Part No.</u>	<u>Description</u>
1	239429	Arch Clamp Frame (offset universal) with two 239208
2	239208	Frame Dowel Pin
3	239443	Thread Wiper (quick acting) complete, Nos. 200308C, 239336, 239387 to 239389. 239424 and 350064C, in place of 239390
4	239388	Body Support
5	200308C	Body Hinge Screw
6	350064C	Wire Clamping Plate Screw
7	239389	Thread Wiper Body Wire (adjustable)
8	239336	Wire Clamping Plate
9	239387	Thread Wiper Body
10	239424	Arch Clamp Foot Lifter with 239442, in place of 63837
11	239442	Thread Wiper Fulcrum Pin
12	239428	Arch Clamp Foot Shank complete, Nos. 1094C, 200160X, 239426, 239427 and 239431
13	239426	Arch Clamp Foot Shank
14	239427	Arch Clamp Foot Shank Arm
15	1094C	Arch Clamp Foot Shank Arm Screw
16	200160X	Arch Clamp Foot Screw
17	239431	Arch Clamp Foot
18	239425	Arch Clamp Foot Retaining Plate
19	239436	Feed Plate
20	200126X	Feed Plate Screw
21	239437	Feed Plate Carrier Bar
22	239441	Cylinder Cover (bottom)
23	239435	Feed and Knife Driving Cam with 239246, 239247 and two 200064C, in place of 239237
24	239246	Tripping Point (first trip)
25	200064C	Tripping Point Screw
26	239247	Tripping Point (positive trip)
27	239440	Cylinder Base Leg
28	239422	Vertical Drive Shaft Worm with 200382ALX and 201220ALX in place of 239347
29	200382ALX	Worm Set Screw
30	201220ALX	Worm Position Screw
31	239423	Vertical Drive Shaft Worm Gear with 200354C and 200362C, in place of 239348
32	200362C	Worm Gear Set Screw
33	200354C	Worm Gear Position Screw
	*239439	Cylinder Base with 200364C, 239361 and 239440, in place of *239231
	239430	Arch Clamp complete, Nos. 201711C, 239206, 239209, *239249, 239425, 239428, 239429, 239436, 239437, 239473, 350218C, 350602X, 350605XC, two 200126X and five 350132X, in place of 239210

NOTE: Tripping Point (First Trip) not included in Machines fitted  
with Stop Motion Brake

PARTS FOR MACHINE No. 269w39



## ACCESSORIES

<u>Ref. No.</u>	<u>Part No.</u>	<u>Description</u>
1	239444	Belt Guard Base 239355 with two wood screws 1-1/4 in., No. 12 R. H. B.
2	120342	Oiler (copper plated) with 120343
3	120343	Oiler Spout (3-1/2 in. long)
4	239350	Pliers, for 239315
5	228451	Tweezers
6	228476	Screw Driver (Bobbin Case)
7	225498	Screw Driver (7-1/4 in. long)
8	255542	Screw Driver (8 in. blade)
9	23500	Bobbin (2)
10	12361	Machine Hinge Connection (2)
11	239371	Wrench (5/16 in. Hex)
12	239352	Wrench (3/16 in. Hex)
13	239353	Wrench (5/32 in. Hex)
14	10875	Wrench
15	225554	Wrench
16	23535	Wrench
17	255540	Wrench
	68 x 5	Needles (chromium plated) size 18 (six)
	Form 3149W	Operator's Instruction Book
		FOR MACHINES NOS. 269W7 and 269W14
		SAME AS MACHINE NO. 269W8 WITH THE FOLLOWING EXCEPTIONS:
	31 x 1	Needles (chromium plated) size 18 (six)

## EYE GUARD

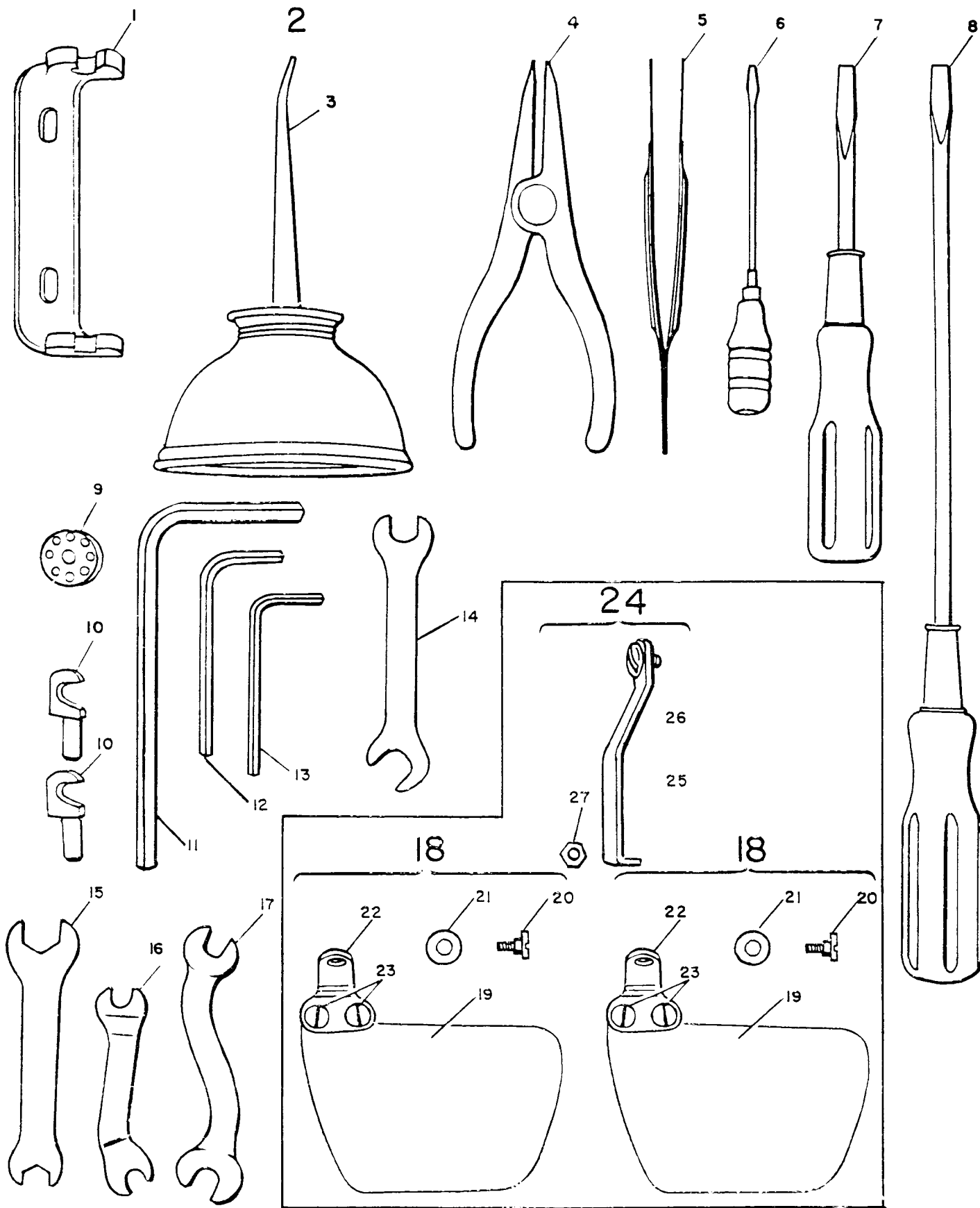
18	259832	Eye Guard complete, Nos. 200273X, 226467, 259830, 259831 and two 200184X
19	259830	Deflector
20	200273X	Deflector Bracket Hinge Screw
21	226467	Deflector Bracket Spring Washer
22	259831	Deflector Bracket
23	200184X	Deflector Bracket Screw

FOR MACHINE NO. 269W39

SAME AS 259832 EXCEPT FOR THE FOLLOWING ADDITIONS

24	259846	Eye Guard with Extension complete, Nos. 200095X, 201528X, 259832 and 259845
25	259845	Deflector Bracket Extension
26	200095X	Deflector Bracket Extension Screw
27	201528X	Deflector Bracket Extension Nut

# ACCESSORIES



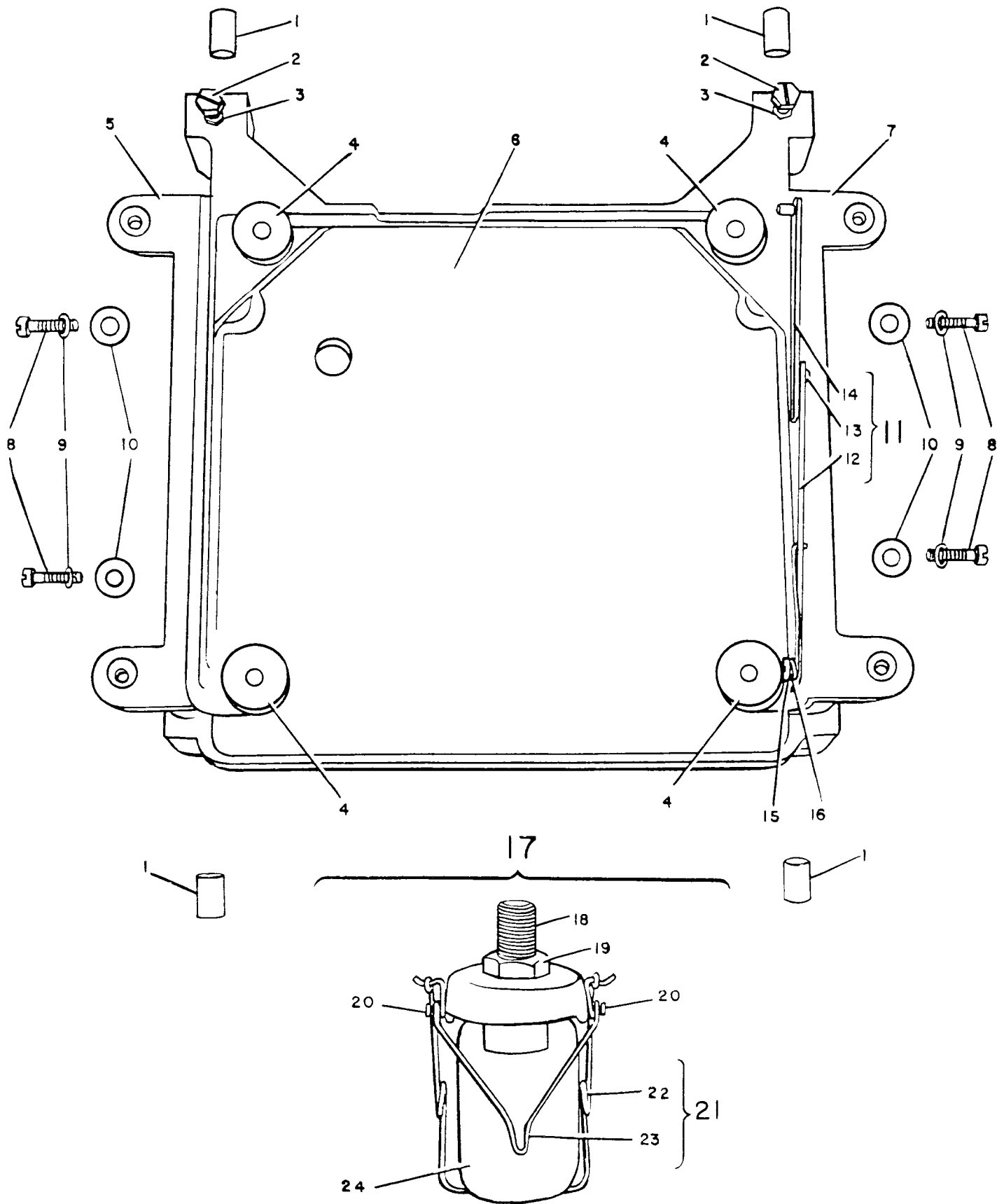
## ACCESSORIES

## DRIP PAN, MACHINE SUPPORTS AND OIL DRAIN JAR

<u>Ref. No.</u>	<u>Part No.</u>	<u>Description</u>
1	228804	Rock Shaft Bushing
2	201072E	Drip Pan Jack Screw (2)
3	201522E	Drip Pan Jack Screw Lock Nut (2)
4	228444	Machine Cushion (neoprene) (4)
5	228865	Machine Support (left) 228786 with two wood screws 1-1/4 in., No. 12 F.H. B
6	228785	Drip Pan with four 228804
7	228809	Machine Support (right) with two wood screws 1-1/4 in., No. 12 F.H.
8	201308E	Drip Pan Screw (4)
9	203637	Drip Pan Screw Washer (4)
10	52843	Drip Pan Washer (leather) (4)
11	228788	Machine Tilting Latch Lever 228787 with 225459 and 228790
12	228787	Machine Tilting Latch Lever
13	225459	Machine Tilting Latch Lever Joint Stud
14	228790	Machine Tilting Latch Lever Stop
15	200246E	Machine Tilting Latch Lever Screw
16	228789	Machine Tilting Latch Lever Spring
17	228452	Machine Base Oil Drain Jar complete, Nos. 131217, 131266, 131961, 131962 and two 1247C
18	131266	Jar Nipple (short)
19	131962	Jar Cap
20	1247C	Jar Clamp Lever Screw
21	131217	Jar Clamp 131188 with 131189
22	131188	Jar Clamp
23	131189	Jar Clamp Lever
24	131961	Jar (glass)

# ACCESSORIES

## DRIP PAN, MACHINE SUPPORTS AND OIL DRAIN JAR



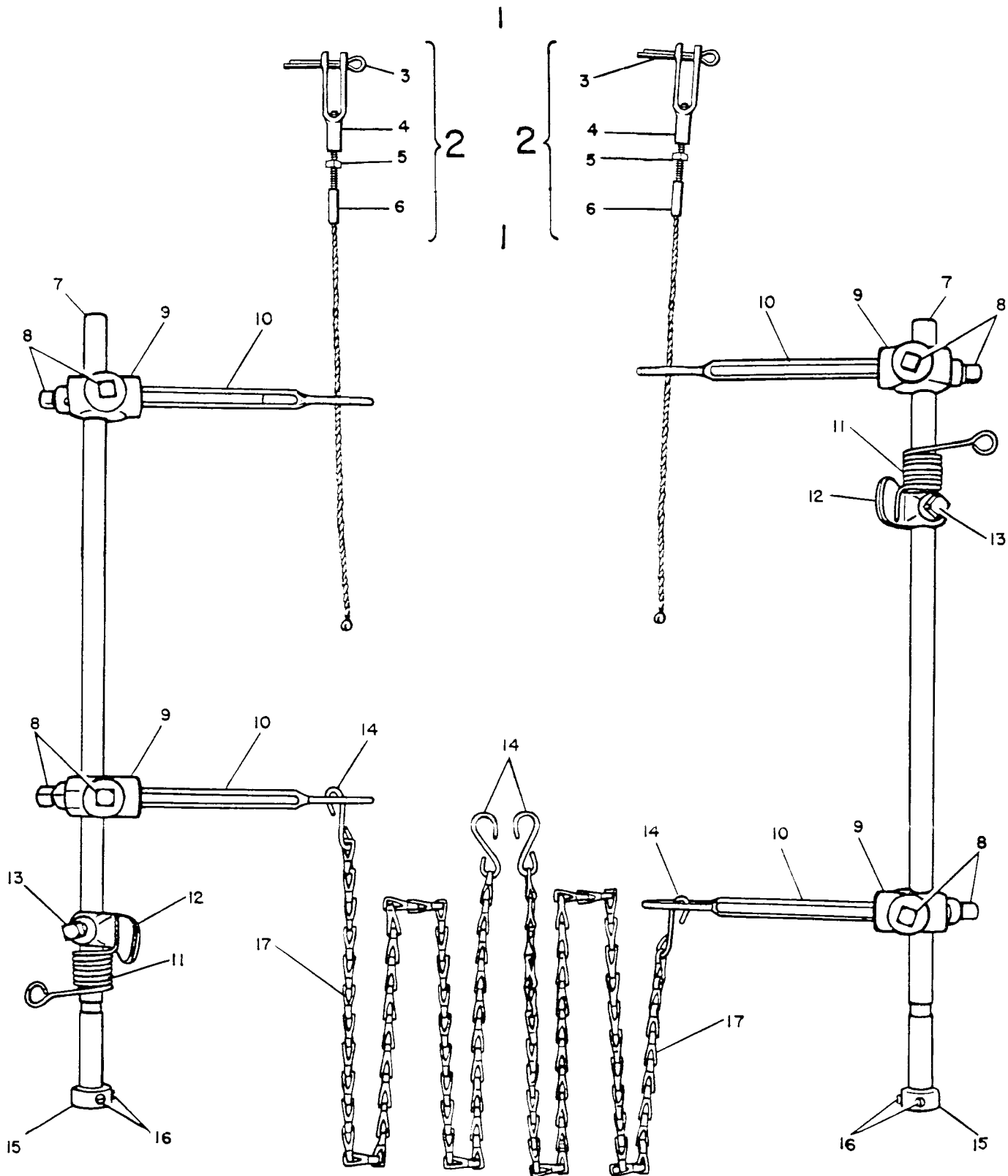
## ACCESSORIES

## OPERATING EQUIPMENT

<u>Ref. No.</u>	<u>Part No.</u>	<u>Description</u>
1	228807	Operating Equipment, complete Nos. two each 2770, 32134, 228802, 228811, 228861, 268072, four each 228805 and 228806
2	228861	Cable (adjustable) complete, Nos. 1521X and 228858 to 228860
3	228859	Adjustable Yoke Cotter Pin
4	228858	Adjustable Yoke End
5	1521X	Cable Lock Nut
6	228860	Cable
7	228811	Rock Shaft
8	356C	Rock Shaft Lever Arm Bracket Set Screw
9	228806	Rock Shaft Lever Arm Bracket with two 356C
10	228805	Rock Shaft Lever Arm
11	32134	Rock Shaft Spring
12	2770	Rock Shaft Stop Dog with 140219C
13	140219C	Rock Shaft Stop Dog Set Screw
14	202784	Chain Hook
15	268072	Rock Shaft Collar with two 200386C
16	200386C	Rock Shaft Collar Set Screw
17	228802	Chain (lower) 24 in. long with two 202784

# ACCESSORIES

## OPERATING EQUIPMENT





## ACCESSORIES

## THREAD UNWINDER

(FOR TWO SPOOLS)

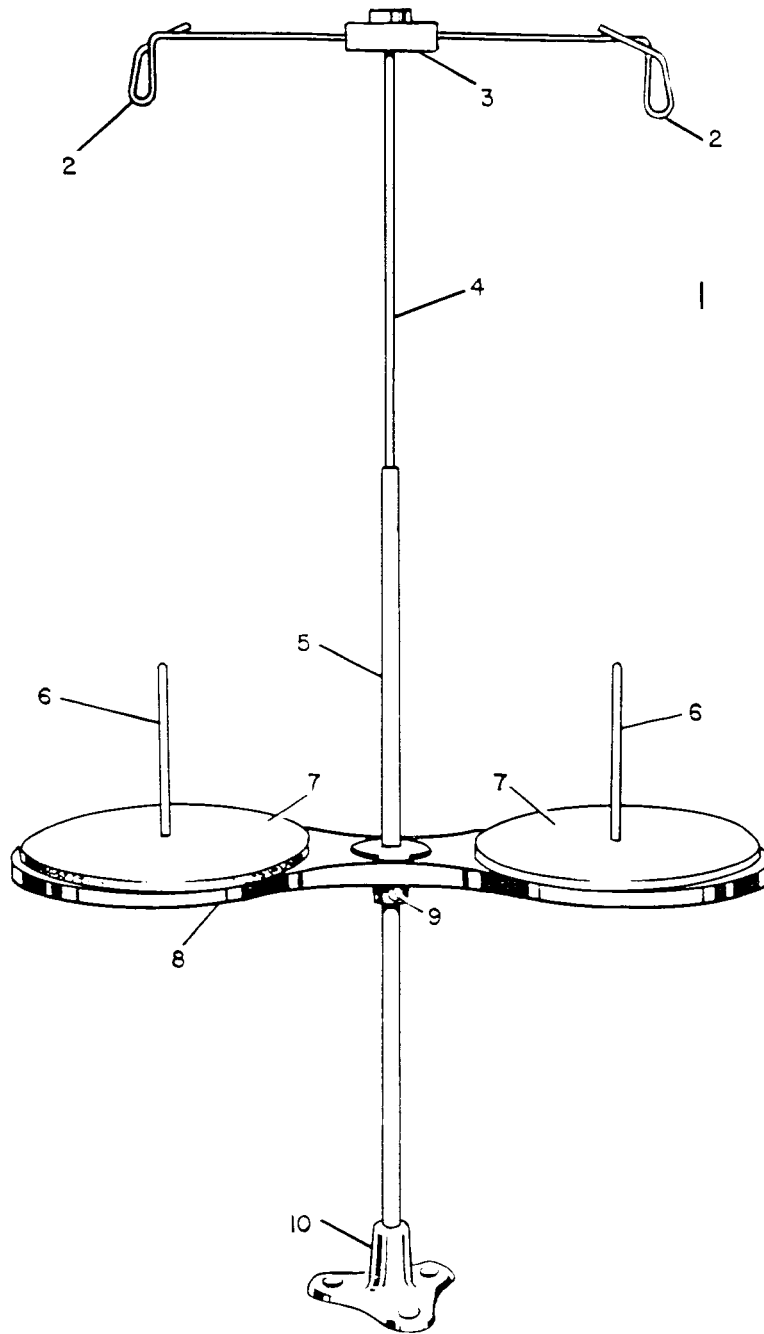
<u>Ref.</u> <u>No.</u>	<u>Part</u> <u>No.</u>	<u>Description</u>
1	228776	Thread Unwinder (for two spools) complete, Nos. 228766 to 228768, 228770, 228774, two each 150203, 228764, 228769 and three wood screws 7/8 in., No. 12, R.H.B.
2	228769	Thread Guide
3	228770	Thread Guide Holder (for one or two guides)
4	228774	Thread Guide Rod
5	228767	Spool Rest Rod
6	228764	Spool Pin
7	150203	Spool Rest Cushion (felt)
8	228766	Spool Rest (for two spools) (flat) with 201254C
9	201254C	Spool Rest Set Screw
10	228768	Spool Stand

## MISCELLANEOUS PARTS

USED IN CONJUNCTION WITH THREAD UNWINDER

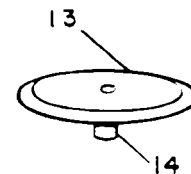
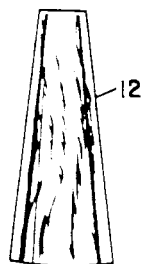
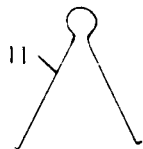
11	225390	Thread Cone Holder
12	27739	Thread Cone (wood)
13	60913	Spool Weight with 60914
14	60914	Spool Weight Center Pin

ACCESSORIES  
THREAD UNWINDER  
(FOR TWO SPOOLS)



---

MISCELLANEOUS PARTS  
USED IN CONJUNCTION WITH THREAD UNWINDER

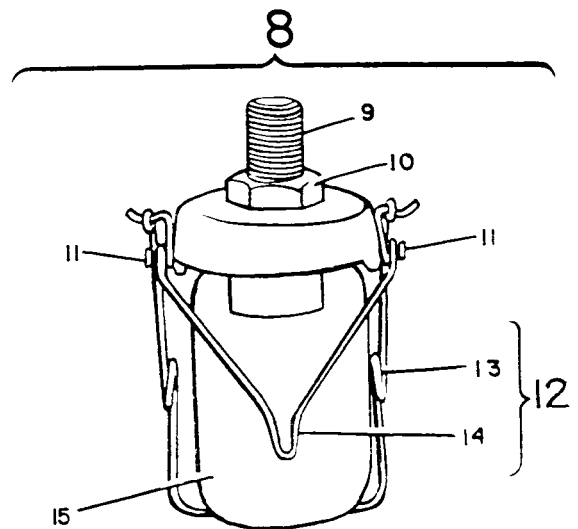
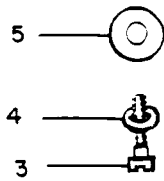
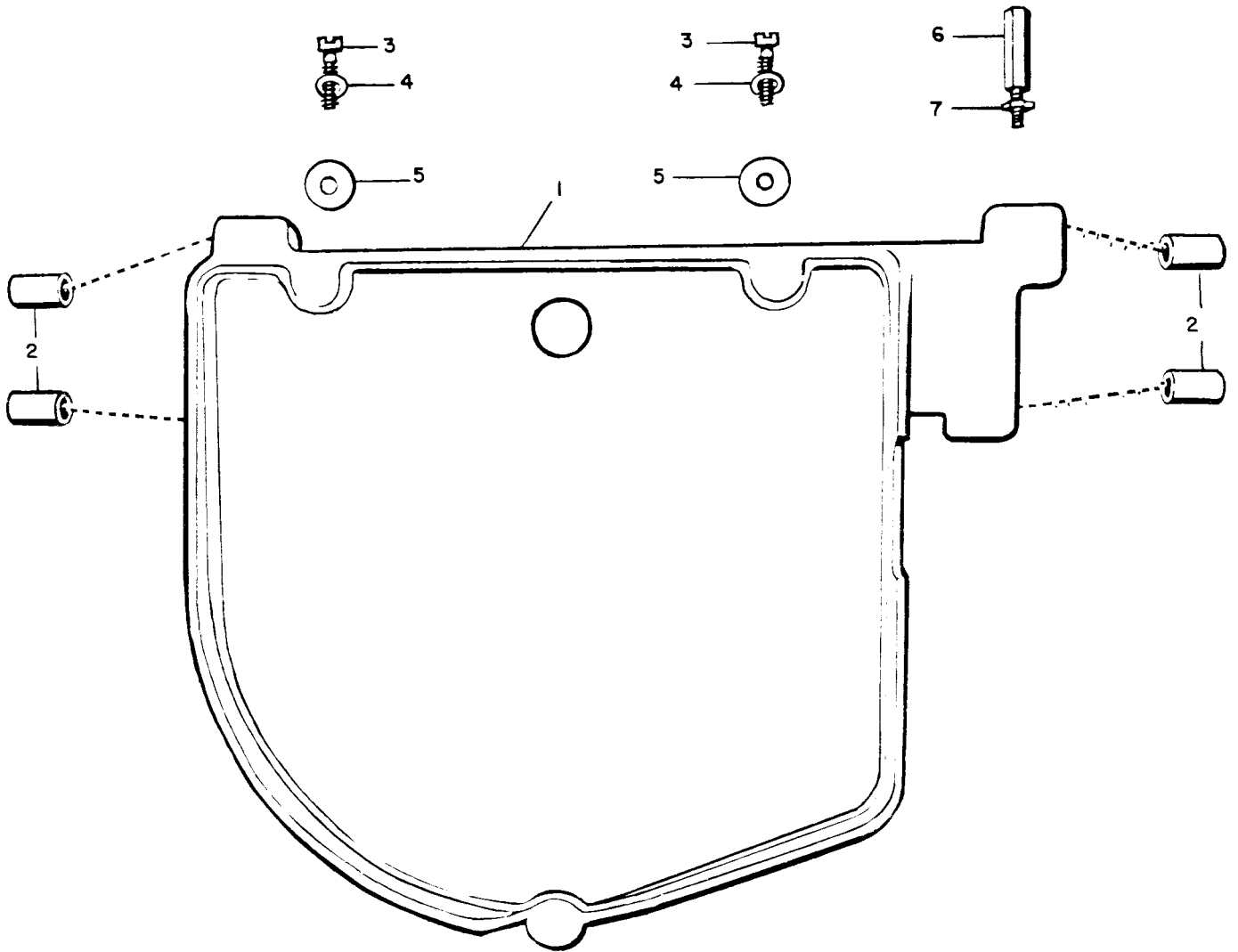


ACCESSORIES  
FOR MACHINE No. 269w39  
FOR SUBMERGED PARALLEL MOUNTING

DRIP PAN AND OIL DRAIN JAR

<u>Ref. No.</u>	<u>Part No.</u>	<u>Description</u>
1	239447	Drip Pan with four 228804, in place of 228785
2	228804	Rock Shaft Bushing
3	201308E	Drip Pan Screw (3)
4	203637	Drip Pan Screw Washer (3)
5	52843	Drip Pan Washer (leather) (3)
6	263417	Drip Pan Jack Screw
7	1517E	Drip Pan Jack Screw Lock Nut
8	228452	Machine Base Oil Drain Jar complete, Nos. 131217, 131266, 131961, 131962 and two 1247C
9	131266	Machine Base Oil Drain Jar Nipple (short)
10	131962	Machine Base Oil Drain Jar Cap
11	1247C	Machine Base Oil Drain Jar Clamp Lever Screw
12	131217	Machine Base Oil Drain Jar Clamp 131188 with 131189
13	131188	Machine Base Oil Drain Jar Clamp
14	131189	Machine Base Oil Drain Jar Clamp Lever
15	131961	Machine Base Oil Drain Jar (glass)

61  
 ACCESSORIES  
 FOR MACHINE No. 269w39  
 FOR SUBMERGED PARALLEL MOUNTING  
 DRIP PAN AND OIL DRAIN JAR



## ACCESSORIES (CONT.)

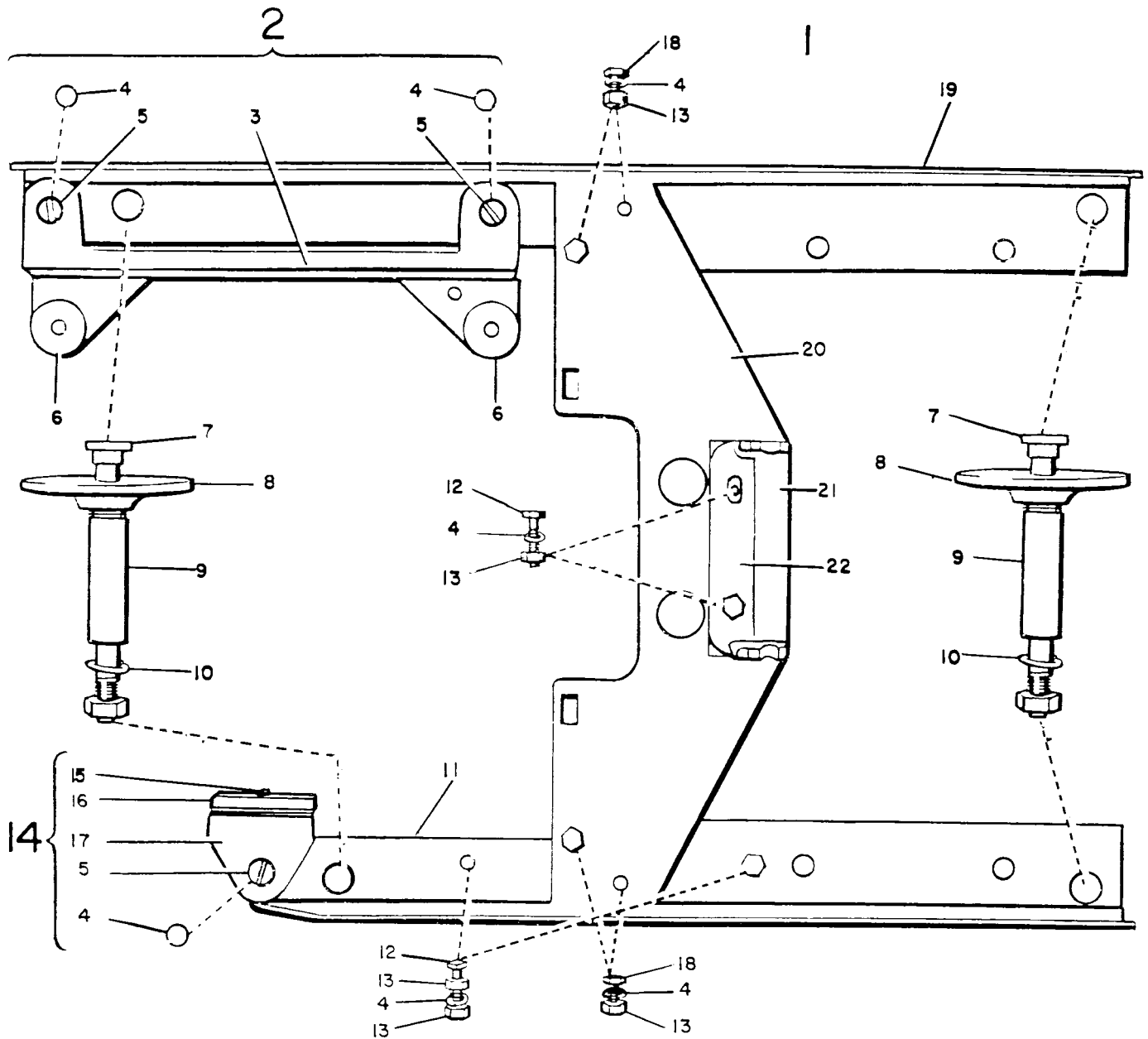
## FOR MACHINE No. 269w39

<u>Ref. No.</u>	<u>Part No.</u>	<u>FOR SUBMERGED PARALLEL MOUNTING</u> <u>Description</u>
1	228881	Machine Support complete, Nos. 228866, 228868, 228870 to 228872, 239445, 239446, two 228444, four each 228873 to 228875 and 350639X
2	228870	Machine Support (rear) 228786 with two each 51074R and 67425
3	228786	Machine Support (rear)
4	67425	Lock Washer
5	51074R	Machine Support Bolt
6	228444	Machine Cushion (neoprene)
7	350639X	Machine Support Bracket Jack Bolt
8	228875	Machine Support Bracket Jack Flange with three wood screws 7/8 in., No. 12, R. H. B.
9	228873	Machine Support Bracket Jack
10	228874	Machine Support Bracket Jack Bolt Lock Washer
11	228871	Machine Support Bracket (front) with two each 67425, 350640X and four 201752X
12	350640X	Screw
13	201752X	Nut
14	228868	Machine Support (front) 228867 with 51074R, 67425, 200076X and 228869
15	200076X	Machine Support (front) Cushion Screw
16	228869	Machine Support (front) Cushion (nylon)
17	228867	Machine Support (front)
18	350641X	Screw
19	228872	Machine Support Bracket (rear)
20	228866	Machine Hinge Connection and Belt Guard Mounting Plate with four each 67425, 201752X and 350641X
21	239446	Belt Guard Base Spacer
22	239445	Belt Guard Base 239355 with two each 67425, 201752X and 350640X

## ACCESSORIES (CONT.)

FOR MACHINE No. 269w39

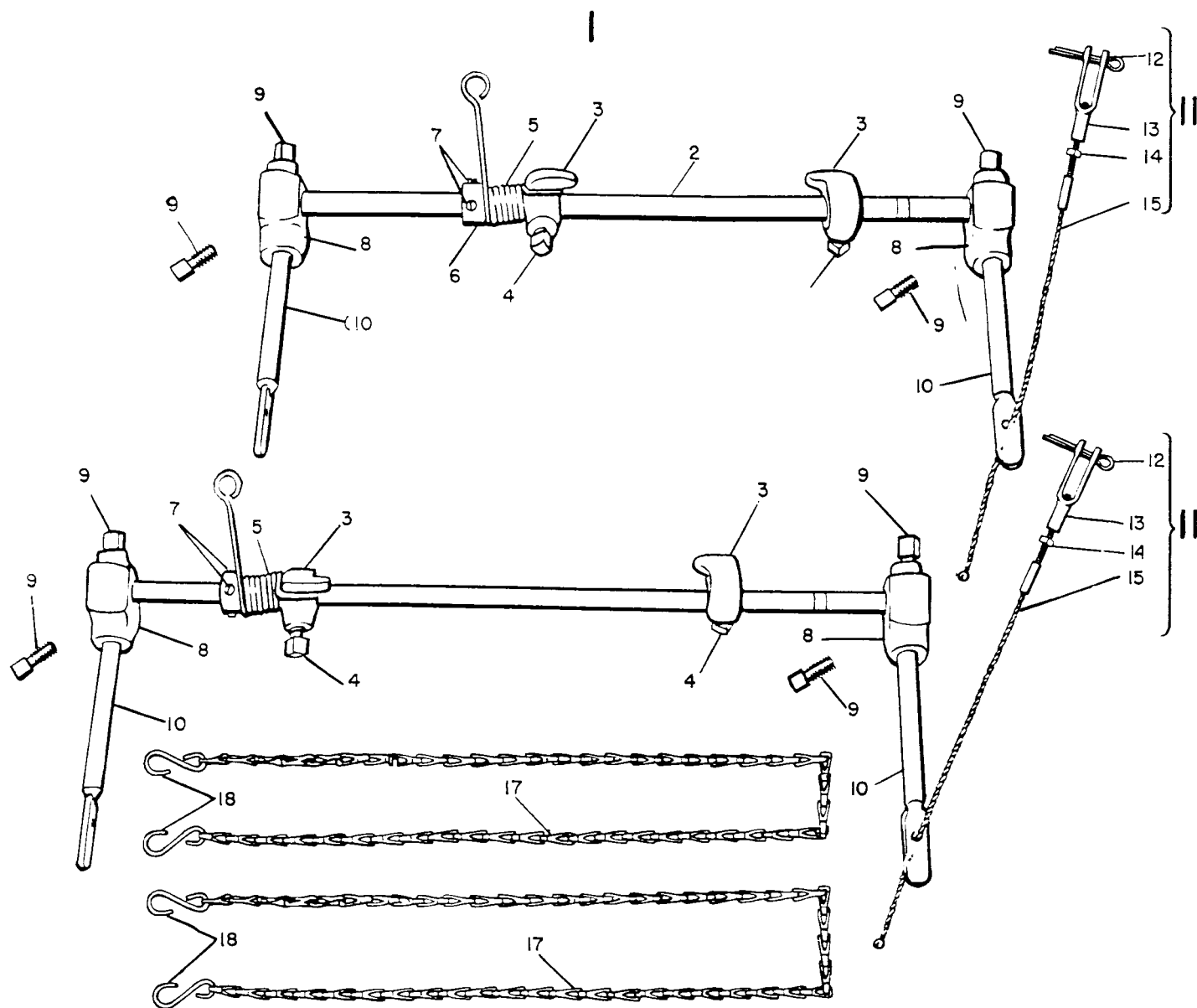
FOR SUBMERGED PARALLEL MOUNTING



ACCESSORIES  
OPERATING EQUIPMENT  
FOR MACHINE No. 269w39  
FOR SUBMERGED PARALLEL MOUNTING

<u>Ref. No.</u>	<u>Part No.</u>	<u>Description</u>
1	228879	Operating Equipment complete, Nos. 228811, 228878, two each 32134, 228802, 228861, 268072 four each 2770, 228805 and 228806
2	228811	Rock Shaft
3	2770	Rock Shaft Stop Dog with 140219C
4	140219C	Rock Shaft Stop Dog Set Screw
5	32134	Rock Shaft Spring
6	268072	Rock Shaft Collar with two 200386C
7	200386C	Rock Shaft Collar Set Screw
8	228806	Rock Shaft Lever Arm Bracket with two 356C
9	356C	Rock Shaft Lever Arm Bracket Set Screw
10	228805	Rock Shaft Lever Arm
11	228861	Cable (adjustable) complete, Nos. 1521X and 228858 to 228860
12	228859	Adjustable Yoke Cotter Pin
13	228858	Adjustable Yoke End
14	1521X	Cable Lock Nut
15	228860	Cable
16	228878	Starting Rock Shaft
17	228802	Chain (lower) 24 in. long with two 202784
18	202784	Chain Hook

ACCESSORIES  
OPERATING EQUIPMENT  
FOR MACHINE No. 269w39  
FOR SUBMERGED PARALLEL MOUNTING





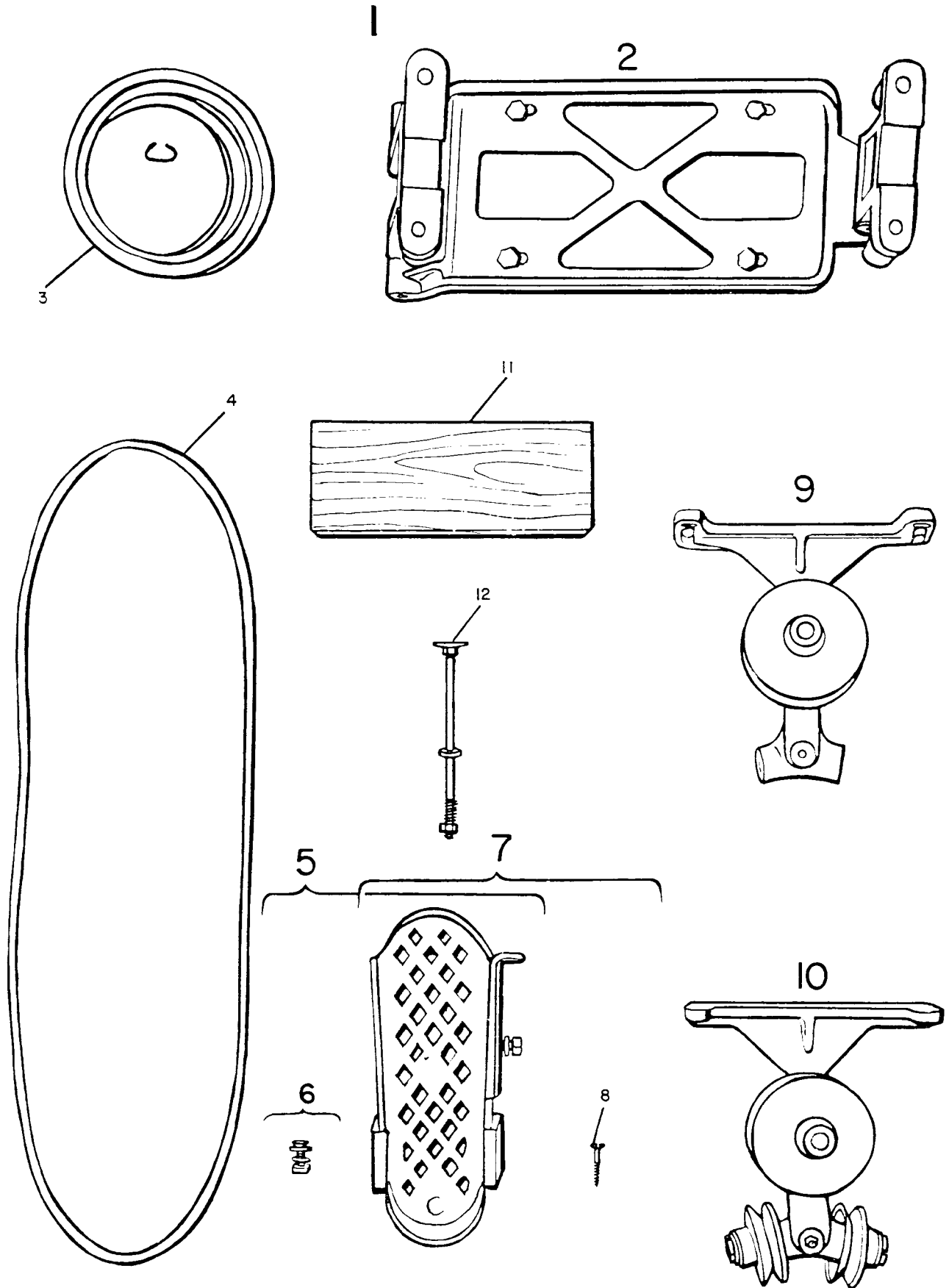
# DRIVING ACCESSORIES

## FOR 269w MACHINE CLASS

### FOR HEAD-ON INSTALLATIONS

Ref. No.	Part No.	<u>Description</u>
1	228826	Driving Accessories for Individual Head-On Installation Nos. 150750, 151223 and two 228822
1	228827	Driving Accessories for Low Shaft Power Table Head-On Installation Nos. 150742, 225251, 228821 and two 228823
1	228828	Driving Accessories for Electric Transmitter Power Table Head-On (Center Board or Trough) Installation Nos. 150742, 225255, 228824, two each 228823, 228825 and four 140616
1	228830	Driving Accessories for Electric Transmitter Power Table Head-On Installation, complete, when using 151223 Motor Mount complete in conjunction with 1-5/8 in. center board (for use with 16 in. wide front plank only) Nos. 150750, 151223 and two 228823 (with blue print of center board made full scale, showing location of Motor Mount and Belt Tightener mounting holes, for use as a template)
2	151223	Motor Mount and Belt Tightener complete, Nos. 51655R, 150783, 151066, 151219 to 151222, two each 9281, 151068, four each 50807R, 151369 and eight each 1778U, 9842 and 126150, for series S38 (cont. running) Motor for "V" Belt
3	225251	Belt, size 5/16 in. diam., length 60 in., with 25029
3	225255	Belt, size 5/16 in. diam., length 42 in., with 25029
4	150742	Machine Driving Belt, 42 in. outside length, for "V" drive Machine Pulleys and Pulleys
4	150750	Machine Driving Belt, 50 in. outside length, for "V" drive Machine Pulleys and Pulleys
5	228822	Treadle complete, Nos. 2718R, 14372, 14373, 14375, 17881, 50581R and two 46709
6	46709	Treadle Bolt 51074R with 23250 and 67425
7	228823	Treadle complete, Nos. 2718R, 14372, 14373, 14375, 17881, 50581R and four wood screws 1-1/4 in., No. 14 F.H.B.
8	-----	Wood Screw 1-1/4 in. No. 14, F.H.B.
9	228824	Electric Transmitter Power Table Belt Tightener and Idler complete, Nos. 201504E, 203172, 228815 to 228817, 249292 and four wood screws 1-1/4 in., No. 12, F.H.B.
10	228821	Low Shaft Power Table Belt Tightener and Idler complete, Nos. 201504E, 203172, 228815 to 228818, 249292, two each 228819, 350623C and four wood screws 1-1/4 in. No. 12 F.H.B.
11	228825	Spacer Block (wood)
12	140616	Spacer Block (wood) Bolt

# DRIVING ACCESSORIES FOR 269w MACHINE CLASS FOR HEAD-ON INSTALLATIONS



## DRIVING ACCESSORIES

FOR MACHINE No. 269w39

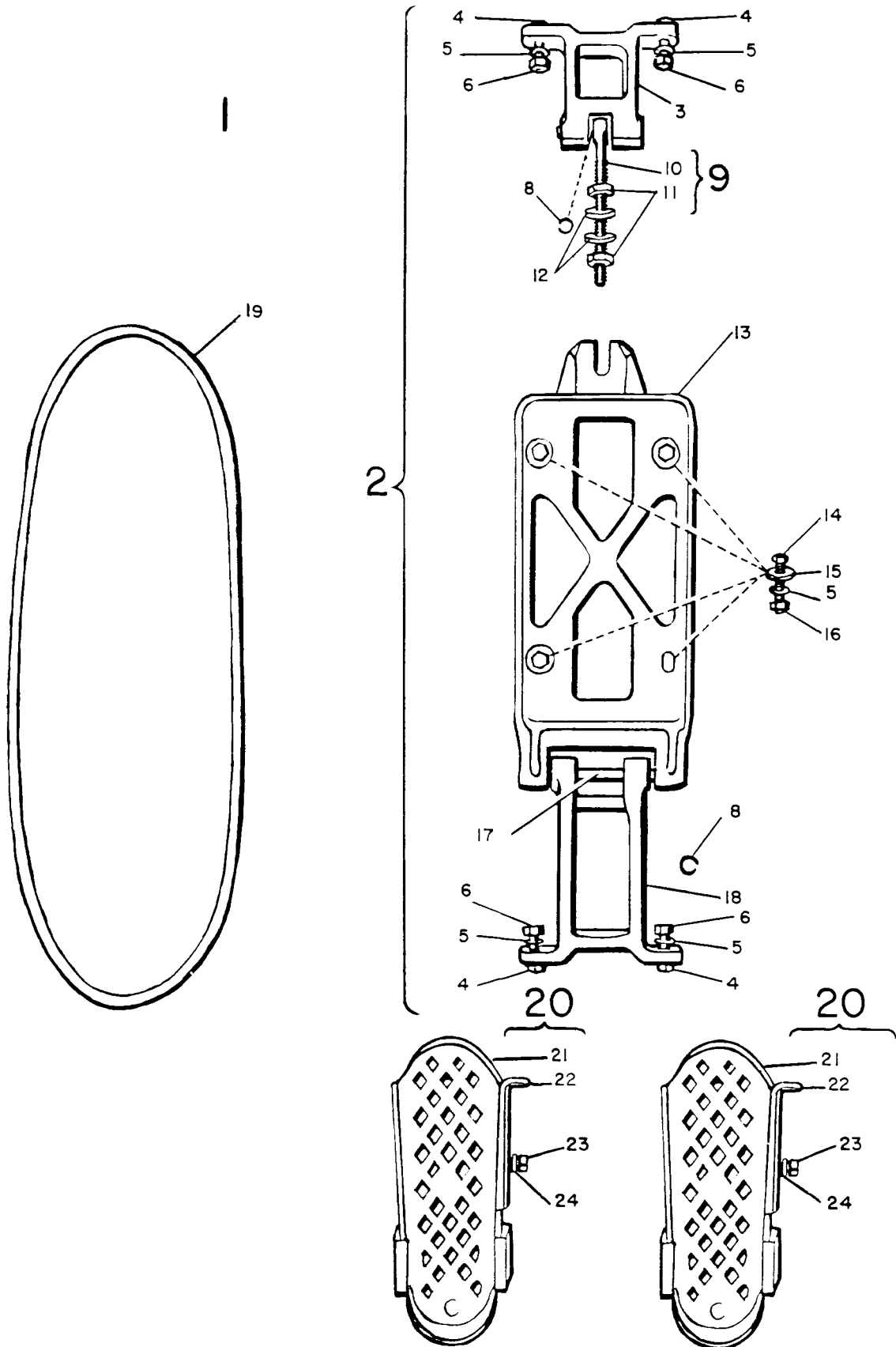
## FOR SUBMERGED PARALLEL MOUNTING

<u>Ref. No.</u>	<u>Part No.</u>	<u>Description</u>
1	228829	Driving Accessories complete, Nos. 150748, 228880 and two 228877
2	228880	Motor Mount and Belt Tightener complete, Nos. 51655R, 150783, 151066, 151219 to 151222, two each 9281, 151068, four each 1062X, 1606X, 1778R, 9842, 50807R and eight 126150
3	151220	Belt Tightener Hinge Plate Adjusting Screw Hinge Bracket
4	1062X	Mounting Bolt
5	126150	Lock Washer
6	1606X	Mounting Bolt Nut
7	151066	Adjusting Screw Hinge Pin
8	151068	Pin Retaining Ring
9	150783	Belt Tightener Hinge Plate Adjusting Screw 150701 with 51655R
10	150701	Hinge Plate Adjusting Screw
11	51655R	Hinge Plate Adjusting Nut
12	9281	Hinge Plate Adjusting Nut Washer
13	151219	Belt Tightener Hinge Plate
14	50807R	Motor Bolt
15	9842	Motor Bolt Washer
16	1778R	Motor Bolt Nut
17	151222	Hinge Bracket Pin
18	151221	Belt Tightener Hinge Plate Hinge Bracket
19	150748	Machine Driving Belt, 48 in. outside length, for "V" belt drive
20	228877	Foot Lifter Treadle 228876 with 2718R, 14373 and 50581R
21	228876	Treadle
22	14373	Treadle Extension
23	50581R	Extension Screw
24	2718R	Extension Screw Washer

# DRIVING ACCESSORIES

FOR MACHINE No. 269w39

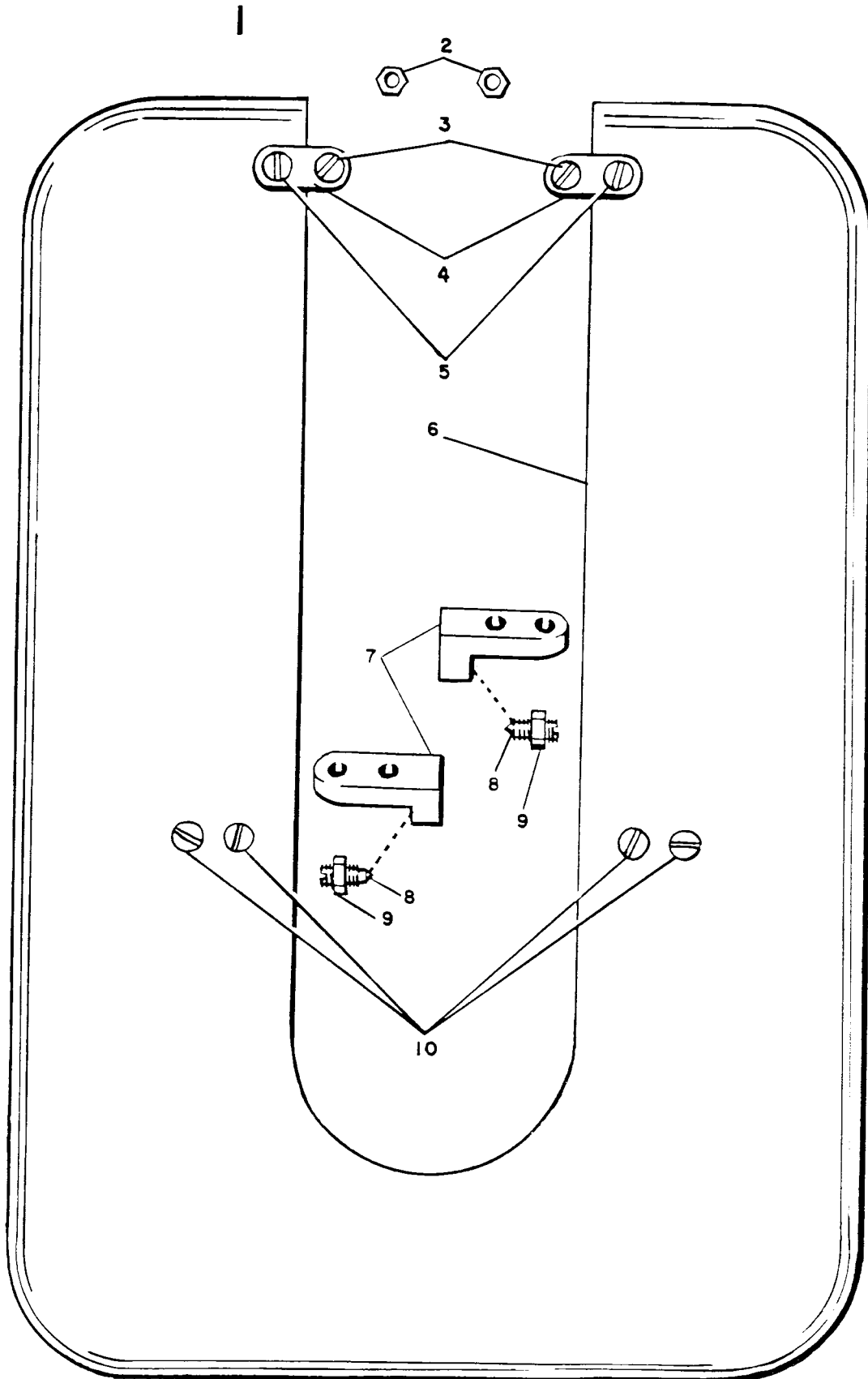
FOR SUBMERGED PARALLEL MOUNTING



## WORK PLATE

<u>Ref. No.</u>	<u>Part No.</u>	<u>Description</u>
1	239394	Work Plate complete, Nos. 239391, two each 742X, 200400C, 201524C, 201711C, 239392, 239393 and six 691X
2	201711C	Work Plate Support Screw Nut
3	742X	Work Plate Support Strap Screw
4	239393	Work Plate Support Strap
5	691X	Work Plate Support Screw
6	239391	Work Plate
7	239392	Work Plate Bracket
8	200400C	Work Plate Adjusting Screw
9	201524C	Work Plate Adjusting Screw Nut
10	691X	Work Plate Bracket Screw

# WORK PLATE



## NUMERICAL LIST OF PARTS

Part No.	Page No.	Part No.	Page No.	Part No.	Page No.	Part No.	Page No.
28C.....	46	2770.....	56,64	50807R.....	68	150750.....	66
141C.....	46	2973.....	24	51041C.....	46	150783.....	68
176X.....	22	2974.....	24	51074R.....	62	151066.....	68
183J.....	46	2975.....	24	51381F.....	24	151068.....	68
190J.....	46	4784.....	16	51403J.....	24	151219.....	68
202X.....	12,36	5989.....	34	51655R.....	68	151220.....	68
38		7298.....	18	51854.....	46	151221.....	68
226J.....	16	9281.....	68	52082.....	28	151222.....	68
330J.....	22	9842.....	68	52843.....	54,60	151223.....	66
356C.....	56,64	10141.....	34	55325.....	18	200004E.....	18
405E.....	46	10875.....	52	55459.....	18	200034C.....	20
418D.....	34	12166.....	14	60913.....	58	200056E.....	34
591F.....	24	12361.....	52	60914.....	58	200064C.....	30,36
592E.....	24	12424.....	16	63837.....	22	38,40,42,44,46,	
691F.....	18	14373.....	68	63947.....	46	50	
691X.....	12,48	15140.....	24	63949.....	46	200064X.....	18
70		15141.....	24	63953.....	46	200072C.....	22
742X.....	48,70	17825.....	18	63954.....	46	200076X.....	62
788D.....	46	17826.....	18	63955.....	46	200082E.....	20
858AL...	14	17827.....	18	63957.....	46	200084X.....	18
896AL...	16	17828.....	18	63958.....	46	200084XC...	34
908C.....	16	17830.....	18	63965.....	46	200086ALX..	22
910AL...	46	17959.....	46	*63969.....	46	200095X.....	52
1035C.....	16	18459.....	38	63983.....	46	200110D.....	26
1036AL...	14	19448.....	16	63984.....	46	200125ALX..	22
1062X.....	68	20197.....	16	63985.....	46	200126X.....	50
1065AL...	14	*20198.....	16	63986.....	46	200138E.....	18
1094C.....	50	23421.....	16	63987.....	46	200160X.....	50
1198C.....	18	23477.....	14	67425.....	62	200184X.....	52
1208J.....	18,36	23500.....	24,52	68721.....	12	200246E.....	54
1247C.....	54,60	23535.....	52	68723.....	12	200273X.....	52
1253C.....	16	24050.....	16	68729.....	12	200294X.....	18
1258AL...	14	27739.....	58	120342.....	52	200299X.....	34
1517E.....	60	32134.....	56,64	120343.....	52	200308C.....	22,50
1521X.....	56,64	32572.....	28	124906.....	40	200325C.....	14
1560F.....	28	37310.....	20	125044.....	16	200333C.....	16
1562X.....	34	39304.....	36	126150.....	68	200335C.....	20
1601J.....	46	39453.....	22	131188.....	54,60	200337C.....	22
1606X.....	68	39653.....	16	131189.....	54,60	200354C.....	30,36
1611E.....	46	39657.....	16	131217.....	54,60	44,50	
1620X.....	34	39658.....	16	131266.....	54,60	200362C.....	30,36
1636E.....	16	40028.....	24	131961.....	54,60	44,50	
1655C.....	20	40148.....	14	131962.....	54,60	200363AL...	14
1778R.....	68	43725.....	24	140219C.....	56,64	200364C.....	20,26
1953.....	20	46709.....	66	140616.....	66	200366X.....	28
2102.....	28	50018F.....	18	150203.....	58	200377C.....	28
2103.....	28	50356D.....	34	150701.....	68	200378C.....	20,32
2455.....	34	50581R.....	68	150742.....	66	200382ALX..	14,36
2718R.....	68	50650E.....	14	150748.....	68	44,50	

## NUMERICAL LIST OF PARTS

Part No.	Page No.	Part No.	Page No.	Part No.	Page No.	Part No.	Page No.
200386C.....	20,56	202342.....	26	228792.....	34	232837.....	26
64		202423.....	20	228793.....	34	234813.....	20
200394C.....	16	202478.....	34	228794.....	34	239201.....	12
200400C.....	48,70	202603.....	16	228795.....	34	239202.....	12,36
200428C.....	26	202784.....	56,64	228796.....	34	38	
200430AL...	22	203172.....	14	228797.....	34	239203.....	12
200436C.....	34	203357.....	22	228798.....	34	239204.....	12,36
200442C.....	28	203637.....	54,60	228799.....	34	38	
200545C.....	20	204235.....	18	228800.....	34	239205.....	12
200571XC....	32	206133.....	18	228802.....	56,64	239206.....	12
200582X.....	18,28	210805.....	20,30	228804.....	54,60	239207.....	12
200689C.....	16	210954.....	28	228805.....	56,64	239208.....	12,40
200989X.....	34	213484.....	16	228806.....	56,64	46, 50	
201052ALX..	20	214053.....	26	228807.....	56	239209.....	12
201072E.....	18,54	222583.....	14,16	228809.....	54	239210.....	12
201075F.....	26	222598.....	14	228810.....	26	239211.....	22
201083C.....	16,22	223812.....	26	228811.....	56,64	239212.....	22
201135C.....	26	224842.....	24	228812.....	26	239213.....	22
201143X.....	22	225251.....	66	228821.....	66	239214.....	22
201148X.....	24	225255.....	66	228822.....	66	239215.....	22
201188C.....	34	225390.....	58	228823.....	66	239216.....	22
201220ALX..	14,36	225444.....	34	228824.....	66	239217.....	22
44, 50		225458.....	34	228825.....	66	239218.....	22
201254C.....	58	225459.....	34,54	228826.....	66	*239220.....	18
201256C.....	20,22	225498.....	52	228827.....	66	239221.....	18
34		225554.....	52	228828.....	66	239222.....	18
201308E.....	54,60	225708.....	26	228829.....	68	239223.....	18
201356E.....	26	225837.....	20	228830.....	66	239224.....	14
201422C.....	26	226467.....	52	228858.....	56,64	239227.....	14
201472C.....	16	228032.....	26	228859.....	56,64	239228.....	14
201518E.....	20	228444.....	54,62	228860.....	56,64	239229.....	14
201522E.....	54	228451.....	52	228861.....	56,64	*239230.....	18
201524C.....	48,70	228452.....	54,60	228865.....	54	*239231.....	18
201525E.....	26	228476.....	52	228866.....	62	239233.....	18
201526E.....	12	228764.....	58	228867.....	62	239234.....	18
201528X.....	52	228766.....	58	228868.....	62	239236.....	18
201535E.....	46	228767.....	58	228869.....	62	239237.....	30
201539X.....	20	228768.....	58	228870.....	62	239238.....	20
201540E.....	22	228769.....	58	228871.....	62	239239.....	20
201652E.....	20	228770.....	58	228872.....	62	239240.....	20
201711C.....	12,18	228774.....	58	228873.....	62	239241.....	20
48, 70		228776.....	58	228874.....	62	239243.....	30
201736E.....	26	228785.....	54	228875.....	62	239244.....	30
201747X.....	26	228786.....	62	228876.....	68	239245.....	30
201749E.....	16	228787.....	54	228877.....	68	239246.....	30,36
201752X.....	62	228788.....	54	228878.....	64	38, 40, 42, 44, 46,	
201896.....	20	228789.....	54	228879.....	64	50	
202005.....	18,30	228790.....	54	228880.....	68	239247.....	30,36
202299.....	14	228791.....	34	228881.....	62	38, 40, 42, 44, 46, 50	



## NUMERICAL LIST OF PARTS

Part No.	Page No.	Part No.	Page No.	Part No.	Page No.	Part No.	Page No.
239248.....	12	239302.....	22	239368.....	18	239435.....	50
*239249.....	12	239303.....	26	239371.....	52	239436.....	50
239250.....	12	239305.....	22	239372.....	18	239437.....	50
239251.....	16	239307.....	26	239373.....	14	*239439.....	50
239252.....	16	239309.....	26	329374.....	14	239440.....	50
239253.....	16	239310.....	26	239375.....	32	239441.....	50
239254.....	16	239311.....	14	239376.....	22	239442.....	50
239255.....	20	239312.....	14	239377.....	22	239443.....	50
239256.....	20	239313.....	14	239378.....	22	239444.....	52
239257.....	16	239314.....	14	239379.....	26	239445.....	62
*239258.....	16	239315.....	14	239380.....	26	239446.....	62
239259.....	20	239317.....	14	239381.....	26	239447.....	60
239260.....	16	239318.....	14	239382.....	14	239450.....	46
239261.....	16	239320.....	26	239383.....	14	239451.....	46
239262.....	12	239321.....	26	239384.....	20	*239452.....	46
239263.....	20	239322.....	14	239385.....	14	239453.....	46
239264.....	20	239323.....	14	239387.....	22,50	239454.....	46
239265.....	20	239324.....	14	239388.....	22,50	239455.....	46
239266.....	20	239325.....	14	239389.....	22,50	239456.....	46
239267.....	20	239327.....	22	239390.....	22	239459.....	46
239268.....	20	239328.....	28	239391.....	48,70	239461.....	36
239269.....	20	239330.....	14	239392.....	48,70	239462.....	42
239270.....	20	239331.....	14	239393.....	48,70	239463.....	36
239272.....	22	239332.....	14	239394.....	48,70	239464.....	36
239273.....	22	239336.....	22,50	239401.....	38	239465.....	36
239274.....	22	239337.....	18,36	239402.....	38	239466.....	36
239275.....	22	239338.....	18	239403.....	38	239467.....	36
239276.....	22	239339.....	18	239404.....	38	239468.....	36
239277.....	22	239340.....	20	239405.....	38	239469.....	36
239279.....	16	239341.....	20	239406.....	38	239470.....	36
239280.....	16	239342.....	22	239411.....	40	239471.....	36
239281.....	16	239343.....	20	239412.....	40	239472.....	36
239282.....	16	239344.....	20	239413.....	40	239473.....	12
239283.....	16	239345.....	30	239414.....	40	239474.....	12
239284.....	16	239346.....	30	239415.....	40	239481.....	40
239285.....	24	239347.....	14	239417.....	40	239482.....	40
239287.....	24	239348.....	30	239418.....	40	239483.....	40
239288.....	24	239350.....	52	239419.....	40	239501.....	12
239289.....	24	239352.....	52	239421.....	44	239502.....	46
239290.....	24	239353.....	52	239422.....	44,50	239503.....	46
239291.....	24	239354.....	32	239423.....	44,50	239504.....	40
239292.....	24	239356.....	32	239424.....	50	239508.....	26
239294.....	22	239357.....	32	239425.....	50	239509.....	26
239295.....	22	239361.....	20	239426.....	50	239510.....	26
239296.....	26	239363.....	20	239427.....	50	239511.....	26
239297.....	26	239364.....	30	239428.....	50	239512.....	26
239298.....	26	239365.....	24	239429.....	50	239513.....	26
239299.....	22	239366.....	28	239430.....	50	239514.....	26
239301.....	26	239367.....	18	239431.....	50	239515.....	22,26

## NUMERICAL LIST OF PARTS

Part No.	Page No.	Part No.	Page No.	Part No.	Page No.	Part No.	Page No.
239516.....	26	259846.....	52	350132X.....	12,16	350605XC...	12
239517.....	26	263417.....	60	350218C.....	12	350606XC...	20,24
239518.....	26	268072.....	20,56	350238D.....	34	350608C.....	32
239519.....	26	64		350411C.....	26	350618C.....	18
239520.....	26	268122.....	34	350447D.....	16	350627ALX..	30
249716.....	34	268197.....	32	350457C.....	28	350630ALX..	14
249915.....	14	270080.....	28	350559X.....	28	350634.....	20
255540.....	52	270278.....	28	350577X.....	22	350639X.....	62
255542.....	52	270281.....	28	350600XC...	20,26	350640X.....	62
259830.....	52	270419.....	18	30		350641X.....	62
259831.....	52	271018.....	28	350601C.....	30	350645E.....	12
259832.....	52	350064C.....	22,50	350602X.....	12	350676C.....	26
259845.....	52	350112E.....	26	350604XC...	20	351886.....	20