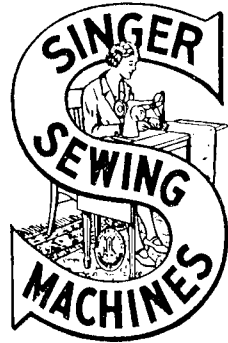


**SINGER**  
139W101

# LIST OF PARTS



## MACHINE No. 139w101

---

THE SINGER MANUFACTURING COMPANY

### INDEX

---

|  | Page |
|--|------|
| Accessories .....                      | 14   |
| Bobbin Winder .....                    | 14   |
| Foot Lifter and Starting Treadle ..... | 15   |
| Machine No. 139w101 .....              | 5    |
| Miscellaneous Parts .....              | 16   |
| Numerical List of Parts .....          | 17   |
| Thread Unwinder .....                  | 18   |

# INSTRUCTIONS FOR ORDERING

In ordering from this list, use ONLY the PART number in the FIRST column.

The number stamped on a Sewing Machine Part is the number of the Single Part only, except when the part includes Set Screws, Clamping Screws, Studs and Rollers Spun on, Small Wires riveted, or Parts soldered together, etc., which it is necessary to furnish in combination.

Every combination of parts sent out has its specific number which, although not stamped on Parts (except in above case), must be used when ordering the combination.

Each number always indicates the SAME PART in whatever list it appears, or for whatever Machine.

The letters after some of the numbers indicate the style of finish only, as follows:

- A. Hardened, Polished, Nickel Plated and Buffed.
- B. Polished, Nickel Plated and Buffed.
- C. Hardened only.
- D. Polished only.
- E. Soft, not polished.
- F. Hardened and Polished.
- H. Blued.
- J. Nickel Plated only.
- R. Merlized.
- X. Black Oxide.
- XC. Hardened and Black Oxide.
- Y. Blade Nickel only.

These letters MUST BE USED when they appear in the list and AFTER the number, as in the list.

In this series

200001 to 201500 and 350001 to 351500 are Screw Numbers.  
 201501 to 201800 and 351501 to 351800 are Nut Numbers.  
 201801 to 202000 and 351801 to 352000 are Roller Numbers.  
 202001 to 350000 are Numbers of Machine Parts.

The figures in the second column refer only to the plate in which the illustration of the part is shown and are TO BE USED in ordering.

Two or more numbers over a cut indicate that the difference between such parts is not visible in an illustration.

Parts marked with an asterisk (\*) are furnished when repairs are made at the factory.

## LIST OF PARTS COMPLETE FOR



### MACHINE No. 139w101

EXTRA LONG ARM. VERTICAL HOOK.  
 COMPOUND FEED. HIGH LIFT ALTERNATING  
 PRESSERS. SAFETY CLUTCH. FOOT LIFTER.  
 For Stitching Pockets in Automobile Door  
 Panels; also for Tarpaulins, Awnings  
 and similar work.

| No.     | Plate | Name                                |
|---------|-------|-------------------------------------|
| *264535 | ----  | Arm with 202135                     |
| 240069  | 15301 | " Cap with 244071                   |
| 244071  | 15301 | " " Oil Wick                        |
| 200278H | 15301 | " " Screw                           |
| 202248  | 15301 | " " Washer                          |
| 8702    | 15310 | " Position Pin (2)                  |
| 50708E  | 15310 | " Screw (4)                         |
| 264502  | 15301 | " Shaft with 200357E and 224592     |
| 264641  | 15301 | " " Bushing (back) with 202244      |
| 202244  | 15301 | " " " Oil Packing (wick)            |
| 200071E | 15301 | " " " Screw (3)                     |
| 213299  | 15301 | " " " (center) with 202260          |
| 202260  | 15301 | " " " Oil Packing (wick)            |
| 200338C | 15301 | " " " Set Screw                     |
| 207080  | 15301 | " " " (front) with 202244           |
| 202244  | 15301 | " " " Oil Packing (wick)            |
| 200502B | 15301 | " " " " " Thumb<br>Screw            |
| 200338C | 15301 | Arm Shaft Bushing (front) Set Screw |

| No.     | Plate | Name  |
|---------|-------|---|
| 224103  | 15304 | Arm Shaft Connection Belt   |
| 224104  | 15304 | " " " " Pulley with<br>200327C, 200602E and two 202253                  |
| 200602E | 15304 | Arm Shaft Connection Belt Pulley Position Screw                         |
| 200327C | 15304 | Arm Shaft Connection Belt Pulley Set Screw                              |
| 202253  | 15304 | Arm Shaft Connection Belt Pulley Spring Flange                          |
| 264503  | 15302 | Arm Shaft Connection Belt Timing Collar with 200383C and 200398C        |
| 200398C | 15302 | Arm Shaft Connection Belt Timing Collar Position Screw                  |
| 200383C | 15302 | Arm Shaft Connection Belt Timing Collar Set Screw                       |
| 224139  | 15302 | Arm Shaft Connection Belt Timing Plate                                  |
| 200164B | 15302 | " " " " " " " " Screw (2)   |
| 224392  | 15301 | Arm Shaft Oil Packing (wick)  |
| 200357E | 15301 | " " " " Stop Screw  |
| 264504  | 15301 | Balance Wheel (disc) (belt groove 4 in. diam.) with 200341C and 200347C |
| 200341C | 15301 | Balance Wheel Position Screw  |
| 200347C | 15301 | " " Set Screw   |
| *264505 | ----- | Bed   |
| 202258  | 15304 | " Hinge Connection (2)  |
| 200570E | 15304 | " " " Screw (4)   |
| 54897   | 15302 | " Oil Cup   |
| 247504  | 15310 | " Slide (back)  |
| 223811  | 15310 | " " " Stop  |
| 223812  | 15310 | " " " Spring  |
| 224043  | 15310 | " " (front)   |
| 203470  | 15305 | Bobbin  |
| *233764 | ----- | " Case  |
| 203648  | 15305 | " " Latch   |
| *202056 | ----- | " " " Pin   |
| 203473  | 15305 | " " " Plunger   |
| 203474  | 15305 | " " " Spring  |
| 241674  | 15305 | " " Oiling Felt   |
| 241675  | 15305 | " " " Retainer  |
| 350405C | 15305 | " " " " Screw   |
| 224004  | 15306 | " " Opener  |
| 224005  | 15306 | " " " Lever with 201349C, 201542C and 203101                            |
| 201349C | 15306 | Bobbin Case Opener Lever Driving Screw Stud                             |
| 201542C | 15306 | Bobbin Case Opener Lever Driving Screw Stud Nut                         |
| 203101  | 15306 | Bobbin Case Opener Lever Driving Screw Stud Oil Packing (wick)          |

| No.     | Plate | Name  |
|---------|-------|---|
| 223622  | 15306 | Bobbin Case Opener Lever Hinge Stud with 202277   |
| 202277  | 15306 | Bobbin Case Opener Lever Hinge Stud Oil Packing (wick)  |
| 200364C | 15306 | Bobbin Case Opener Lever Hinge Stud Set Screw   |
| 223623  | 15306 | Bobbin Case Opener Lever Link   |
| 200118D | 15306 | " " " Screw   |
| 203214  | 15305 | " " Tension Spring  |
| 200984C | 15305 | " " " " Regulating Screw  |
| 200594C | 15305 | " " " " Screw   |
| 203216  | 15305 | " " Washer (cloth)  |
| 233765  | 15305 | Bobbin Case complete, Nos. 200594C, 200984C, 202056, 203214, 203216, 203473, 203474, 203648, 233764, 241674, 241675 and two 350405C |
| 240179  | 15310 | Face Plate  |
| 202135  | 15310 | " " Position Pin  |
| 200473B | 15310 | " " Thumb Screw   |
| 264506  | 15303 | Feed Bar  |
| 264507  | 15303 | " " 264506 with 201518E, 224052, 225837, 264508, 350197E and 350393C  |
| 264508  | 15303 | Feed Bar Crank with two each 200363C and 200396C  |
| 200396C | 15303 | Feed Bar Crank Position Screw   |
| 200363C | 15303 | " " " Set Screw   |
| 350393C | 15303 | " " Hinge Screw (driving)   |
| 201518E | 15303 | " " " " Nut   |
| 264509  | 15311 | " Dog, 40 elongated needle hole, for needle sizes 23 and 24   |
| 200106E | 15311 | Feed Dog Screw (2)  |
| 237565  | 15304 | " Driving Connection with 200049D and 202330  |
| 201171C | 15304 | Feed Driving Connection Hinge Screw   |
| 201517E | 15304 | " " " " " Nut   |
| 202277  | 15304 | " " " " " Oil Packing (wick)  |
| 202330  | 15304 | Feed Driving Connection Oil Packing (wick)  |
| 200049D | 15304 | Feed Driving Connection Pinch Screw   |
| 237521  | 15304 | " " Eccentric Regulating Bracket  |
| 237043  | 15304 | " " " " " " 237521 with 224108, two each 200256C and 201525E  |
| 224108  | 15304 | Feed Driving Eccentric Regulating Bracket Flange with 200383C and 200437C   |
| 200437C | 15304 | Feed Driving Eccentric Regulating Bracket Flange Position Screw   |
| 200383C | 15304 | Feed Driving Eccentric Regulating Bracket Flange Set Screw  |

| No.     | Plate | Name  |
|---------|-------|---|
| 200256C | 15304 | Feed Driving Eccentric Regulating Bracket Hinge Screw               |
| 201525E | 15304 | Feed Driving Eccentric Regulating Bracket Hinge Screw Nut           |
| 202301  | 15304 | Feed Driving Eccentric Regulating Bracket Plunger                   |
| 264513  | 15304 | Feed Driving Eccentric Regulating Bracket Plunger Spring            |
| 200607C | 15304 | Feed Driving Eccentric Regulating Bracket Plunger Spring Stop Screw |
| 200256C | 15304 | Feed Driving Eccentric Regulating Bracket Stop Screw                |
| 201525E | 15304 | Feed Driving Eccentric Regulating Bracket Stop Screw Nut            |
| 200429C | 15304 | Feed Driving Eccentric Regulating Screw                             |
| 200383C | 15304 | " " " " " "   |
|         |       | Check Screw   |
| 264514  | 15303 | Feed Driving Rock Shaft   |
| 223652  | 15303 | " " " " Crank with 200019E  |
| 200019E | 15303 | " " " " " Pinch Screw   |
| 202625  | 15303 | " " " " Stop Collar with two 200383C (2)                            |
| 200383C | 15303 | Feed Driving Rock Shaft Stop Collar Set Screw                       |
| 224154  | 15302 | Feed Lifting Cam with 201220C                                       |
| 224052  | 15303 | " " " Fork with 200173D and 223655                                  |
| 350197E | 15303 | Feed Lifting Cam Fork Screw   |
| 225837  | 15303 | " " " " Washer  |
| 223655  | 15303 | " " " Oiling Felt   |
| 200173D | 15303 | " " " " Screw   |
| 201220C | 15302 | " " " Set Screw   |
| 264515  | 15301 | " Regulating Spindle with 202311, 202443 and 202619                 |
| *202311 | ----- | Feed Regulating Spindle Head  |
| 202443  | 15301 | " " " " Pin   |
| 202619  | 15301 | " " " " Position Pin  |
| 264516  | 15310 | Foot Lifter Lifting Lever with 264518                               |
| 264517  | 15310 | " " " " Hinge Stud  |
| 200358C | 15310 | " " " " " " Set Screw   |
| 264518  | 15310 | Foot Lifter Lifting Lever Pin                                       |
| 264519  | 15310 | " " " " Spring  |
| 201062F | 15310 | " " " " " Screw   |
| *240041 | ----- | Hook (sewing)   |
| 240042  | 15305 | " 240041 with 203525, 224025, two each 200590H and 201253F          |
| 240207  | 15305 | Hook and Bobbin Case complete, Nos. 233765 and 240042               |
| 224019  | 15306 | Hook Bushing (lower) (bronze)                                       |

| No.     | Plate | Name  |
|---------|-------|---|
| 200364C | 15306 | Hook Bushing (lower) Set Screw  |
| 224020  | 15306 | " " (upper) (bronze)  |
| 200446C | 15306 | " " " Position Screw  |
| 223867  | 15302 | " Driving Gear (spiral) with 200362C and 201222C  |
| 201222C | 15302 | Hook Driving Gear Position Screw  |
| 200362C | 15302 | " " " Set Screw   |
| 240167  | 15306 | " " Pinion (spiral) with 200382C and 201220C  |
| 201220C | 15306 | Hook Driving Pinion Position Screw  |
| 200382C | 15306 | " " " Set Screw   |
| 224022  | 15306 | " " " Thrust Washer   |
| 264520  | 15302 | " " Shaft   |
| 224111  | 15302 | " " " Bushing (back) with 202244  |
| 202244  | 15302 | Hook Driving Shaft Bushing (back) Oil Packing (wick)                                    |
| 237529  | 15302 | Hook Driving Shaft Bushing (front)  |
| 200327C | 15302 | " " " " Set Screw (2)   |
| *240045 | 15302 | Hook Driving Shaft Connection Belt Pulley with 202253 and 240049                        |
| *240046 | 15302 | Hook Driving Shaft Connection Belt Pulley Driving Flange with two 201254C               |
| 240047  | 15302 | Hook Driving Shaft Connection Belt Pulley Driving Flange Locking Plunger                |
| 240048  | 15302 | Hook Driving Shaft Connection Belt Pulley Driving Flange Locking Plunger Spring         |
| 240049  | 15302 | Hook Driving Shaft Connection Belt Pulley Driving Flange Locking Plunger Spring Socket  |
| 201254C | 15302 | Hook Driving Shaft Connection Belt Pulley Driving Flange Set Screw                      |
| 240050  | 15302 | Hook Driving Shaft Connection Belt Pulley Safety Clutch complete, Nos. 240045 to 240048 |
| 202253  | 15302 | Hook Driving Shaft Connection Belt Pulley Spring Flange                                 |
| 203525  | 15305 | Hook Gib  |
| 201253F | 15305 | " " Screw   |
| 223850  | 15306 | " Saddle with 200009E   |
| 224024  | 15306 | " " 223850 with 200364C, 200446C, 224019 and 224020                                     |
| 264521  | 15302 | Hook Saddle Bearing   |
| 200335C | 15302 | " " " Set Screw   |
| 237040  | 15302 | " " Oil Guard   |
| 240019  | 15302 | " " " Felt  |
| 200160D | 15302 | " " " " Screw (2)   |
| 200009E | 15306 | " " Pinch Screw   |

| No.     | Plate | Name  |
|---------|-------|---|
| 200006E | 15306 | Hook Saddle Screw   |
| 225585  | 15306 | " " " Washer  |
| 240177  | 15306 | Hook Saddle complete, Nos. 200118D, 200364C<br>223622, 223623, 224004, 224005, 224022,<br>224024, 240167 and 240207 |
| 224025  | 15305 | Hook Washer   |
| 200590H | 15305 | " " Screw   |
| 208545  | 15308 | Lifting Bell Crank  |
| 200996C | 15308 | " " " Cap Screw   |
| 240125  | 15301 | " " " Link  |
| 350172C | 15301 | " " " " Screw Stud  |
| 201524E | 15301 | " " " " " " Nut   |
| 240160  | 15301 | " Eccentric with 200382C and 200398C  |
| 240126  | 15301 | " " Connection  |
| 240171  | 15301 | " " " Crank with 200029E<br>and 248821  |
| 248821  | 15301 | Lifting Eccentric Connection Crank Oil<br>Packing (wick)  |
| 200029E | 15301 | Lifting Eccentric Connection Crank Pinch<br>Screw   |
| 200398C | 15301 | Lifting Eccentric Position Screw  |
| 200382C | 15301 | " " " Set Screw   |
| 240135  | 15311 | " Presser Foot  |
| 200074F | 15308 | " " " Screw   |
| 240136  | 15301 | " Rock Shaft with 201524E and<br>350172C  |
| 240174  | 15301 | Lifting Rock Shaft Bushing (2)  |
| 264522  | 15307 | Needle Bar with 200125F, 200175D and<br>240170  |
| 202552  | 15307 | Needle Bar Connecting Link  |
| 264718  | 15307 | " " " " Oil Guard   |
| 200161D | 15307 | " " " " " " Screw   |
| 202333  | 15307 | " " " " " Stud with<br>202254   |
| 202254  | 15307 | Needle Bar Connecting Link Stud Oil Pack-<br>ing (wick)   |
| 200374C | 15307 | Needle Bar Connecting Link Stud Set<br>Screw  |
| 200383C | 15307 | Needle Bar Connecting Link Stud Set<br>Screw  |
| 208552  | 15307 | Needle Bar Connecting Stud with 200086C<br>and 202330   |
| 202330  | 15307 | Needle Bar Connecting Stud Oil Packing<br>(wick)  |
| 200086C | 15307 | Needle Bar Connecting Stud Pinch<br>Screw   |
| 202692  | 15307 | Needle Bar Crank with 200335C, 200374C,<br>200383C, 200428C and 202333  |
| 240178  | 15307 | Needle Bar Crank 202692 with 202399,<br>202400, 202552, 208552 and 241518   |

| No.     | Plate | Name  |
|---------|-------|---|
| 203172  | 15307 | Needle Bar Crank Friction Washer  |
| 200428C | 15307 | " " " Position Screw  |
| 200335C | 15307 | " " " Set Screw   |
| 264523  | 15307 | " " Rock Frame  |
| 210910  | 15307 | " " " " Hinge Stud with<br>202277                                       |
| 202277  | 15307 | Needle Bar Rock Frame Hinge Stud Oil<br>Packing (wick)                  |
| 200374C | 15307 | Needle Bar Rock Frame Hinge Stud Set<br>Screw                           |
| 202666  | 15307 | Needle Bar Rock Frame Position Bracket                                  |
| 200098F | 15307 | " " " " " " "<br>Screw  |
| 264524  | 15301 | Needle Bar Rock Frame Rock Shaft with<br>200387C and 210920             |
| 223692  | 15301 | Needle Bar Rock Frame Rock Shaft Crank<br>with 200029E                  |
| 223693  | 15304 | Needle Bar Rock Frame Rock Shaft Crank<br>Connection with 202277        |
| 200833C | 15304 | Needle Bar Rock Frame Rock Shaft Crank<br>Connection Hinge Screw        |
| 201522E | 15304 | Needle Bar Rock Frame Rock Shaft Crank<br>Connection Hinge Screw Nut    |
| 202277  | 15304 | Needle Bar Rock Frame Rock Shaft Crank<br>Connection Oil Packing (wick) |
| 200029E | 15301 | Needle Bar Rock Frame Rock Shaft Crank<br>Pinch Screw                   |
| 202668  | 15301 | Needle Bar Rock Frame Slide Block                                       |
| 210920  | 15301 | " " " " " " " 202668<br>with 201141C                                    |
| 201141C | 15301 | Needle Bar Rock Frame Slide Block Screw<br>Stud                         |
| 200387C | 15301 | Needle Bar Rock Frame Slide Block Screw<br>Stud Set Screw               |
| 240170  | 15307 | Needle Bar Thread Guide   |
| 200175D | 15307 | " " " " " Screw   |
| 200125F | 15307 | " Set Screw   |
| 208566  | 15308 | Presser Bar with 200074F  |
| 207072  | 15308 | " " Bushing (2)   |
| 200352C | 15308 | " " " Set Screw (2)   |
| 264525  | 15308 | " " Lifter  |
| 200653C | 15308 | " " " Hinge Screw   |
| 264526  | 15308 | " " Lifting Bracket with 200054E  |
| 200975F | 15308 | " " " " Guide Screw   |
| 200054E | 15308 | " " " " Pinch Screw   |
| 202337  | 15308 | " " Position Guide  |
| 202338  | 15308 | " " " " Lever with<br>200086F   |
| 200086F | 15308 | Presser Bar Position Guide Lever Pinch<br>Screw                         |

| No.     | Plate | Name   |
|---------|-------|--|
| 200352C | 15308 | Presser Bar Position Guide Set Screw   |
| 240172  | 15310 | " " Spring (heavy)   |
| 210949  | 15308 | " " " Bracket with 200086C   |
| 200086C | 15308 | " " " " Pinch Screw  |
| 201410F | 15310 | " " " Regulating Thumb Screw   |
| 200948F | 15310 | " " " Support Screw  |
| 241518  | 15307 | Take-up Lever  |
| 202399  | 15307 | " " Driving Stud with 202277   |
| 202277  | 15307 | " " " " Oil Packing<br>(wick)  |
| 202400  | 15307 | Take-up Lever Hinge Stud with 202423   |
| 202423  | 15307 | " " " " Oil Packing<br>(wick)  |
| 200383C | 15307 | Take-up Lever Hinge Stud Set Screw   |
| 240023  | 15309 | Tension Bracket with 201224B and 236060  |
| 200159F | 15309 | " " Screw  |
| 240024  | 15309 | Tension Bracket complete, Nos. 13710,<br>200978H, 201199F, 204271, 223703, 223704,<br>223706, 237174, 240023, two each 200309E<br>201572B and 244048 |
| 244048  | 15309 | Tension Disc   |
| 236060  | 15309 | " " Position Pin   |
| 223703  | 15309 | " Release Lever  |
| 235576  | 15308 | " " " Rod  |
| 200309E | 15309 | " " " Screw  |
| 223704  | 15309 | " " Plunger  |
| 264527  | 15308 | " " Slide  |
| 240142  | 15308 | " " " Spring   |
| 204271  | 15309 | " " Washer   |
| 13710   | 15309 | " Spring   |
| 201224B | 15309 | " Stud   |
| 201572B | 15309 | " Thumb Nut  |
| 223706  | 15309 | Thread Controller Disc   |
| 200978H | 15309 | " " " Screw  |
| 237174  | 15309 | " " Spring   |
| 242117  | 15309 | " " " Stop   |
| 200132E | 15309 | " " " Screw  |
| 201199F | 15309 | " " Stud with 204925   |
| 200061C | 15309 | " " Set Screw  |
| 201572B | 15309 | " " Thumb Nut  |
| 204925  | 15309 | " " Washer   |
| 202412  | 15309 | " Guide  |
| 224040  | 15309 | " " "  |
| 210955  | 15309 | " " (upper)  |
| 200582H | 15309 | " " Screw (3)  |
| 241755  | 15310 | " Lubricator Oil Pad (felt)  |
| 237845  | 15310 | " " " Holder   |
| 240439  | 15310 | " " " Retainer   |
| 241758  | 15310 | " " Reservoir  |
| 241759  | 15310 | " " Wick   |

| No.     | Plate | Name  |
|---------|-------|---|
| 350280F | 15310 | Thread Lubricator Screw   |
| 21483E  | 15310 | " " " Washer  |
| 23784E  | 15310 | Thread Lubricator complete, Nos. 21483E,<br>237845, 240439, 241755, 241758, 241759<br>and 350280F |
| 240034  | 15309 | Thread Retainer   |
| 200355H | 15309 | " " Set Screw   |
| 240144  | 15311 | Throat Plate  |
| 691F    | 15311 | " " Screw (2)   |
| 208562  | 15308 | Vibrating Presser Bar   |
| 208563  | 15308 | " " " Connecting Link   |
| 202277  | 15308 | " " " Oil Packing (wick)  |
| 240158  | 15311 | " " Foot, 40 needle hole, with<br>201015F   |
| 201015F | 15311 | Vibrating Presser Foot Pinch Screw  |

Genuine Singer Needles should be used  
in Singer Machines.  
These Needles and their Containers  
are marked with the  
Company's Trade Mark "SIMANCO." 1

Needles in Containers marked  
"For Singer Machines"  
are not Singer made needles. 2

## ACCESSORIES

| No.      | Plate | Name   |
|----------|-------|--|
| 203470   | 15305 | Bobbin (5)   |
| *225482  | ----- | " Case Screw Driver Blade                                      |
| *225483  | ----- | " " " " Handle   |
| 225497   | 15313 | Bobbin Case Screw Driver complete, Nos. 225482 and 225483      |
| 126 x 11 | 15307 | Needles, three each, sizes 24 and 25                           |
| 264528   | 15313 | Drip Pan with four 1 in. wire nails                            |
| 41400    | 15313 | Machine Rest Pin (wood)  |
| 120342   | 15313 | Oiler (copper plated) with 120343                              |
| 120343   | 15313 | " Spout, 3-1/2 in. long  |
| *225484  | ----- | Screw Driver Blade   |
| *225485  | ----- | " " " " Handle   |
| 225498   | 15313 | Screw Driver complete (7-1/4 in. long), Nos. 225484 and 225485 |
| 225554   | 15313 | Wrench (steel)   |

## BOBBIN WINDER

(SWINGING AUTOMATIC, RIGHT HAND)

|         |       |   |
|---------|-------|---|
| 225453  | 17619 | Frame with 202277 and 225438  |
| 225454  | 17619 | " Hinge Pin   |
| 202277  | 17619 | " Oil Packing (wick)  |
| 225438  | 17619 | " " Well Cap  |
| 225455  | 17619 | " Spring  |
| 225456  | 17619 | " " Plunger   |
| 202473  | 17619 | Pulley with 200300C   |
| 200300C | 17619 | " Set Screw   |
| 225381  | 17619 | Spindle   |
| 225444  | 17619 | Stop Latch  |
| 200056E | 17619 | " " Screw   |
| 225458  | 17619 | " " Thumb Lever   |
| 225459  | 17619 | " " " " Hinge Stud  |
| 225459  | 17619 | " " " " Joint Stud  |
| 202478  | 17619 | " " Trip Lever  |
| 200299H | 17619 | " " " " Hinge Screw   |
| 225461  | 17619 | Tension Bracket with 201499B  |
| 200082D | 17619 | " " Screw   |
| 228026  | 17619 | " " " Washer  |
| 2102    | 17619 | " Disc  |
| 202407  | 17619 | " Spring  |
| 201499B | 17619 | " Stud  |
| 201572B | 17619 | " " Thumb Nut   |
| 225462  | 17619 | Bobbin Winder Tension Bracket complete, Nos. 201572B, 202407, 225461 and two 2102 |

| No.    | Plate | Name  |
|--------|-------|---|
| 225432 | 17619 | Bobbin Winder and Tension Bracket Base  |
| 225382 | 17619 | Universal Bobbin Winder complete, Nos. 200056E, 200082D, 200299H, 202473, 202478, 225381, 225433, 225444, 225453 to 225456, 225458, 225462, 228026, two each 225459 and wood screws 3/4 in., No. 12, R.H.B. |

## THREAD UNWINDER

FOR TWO SPOOLS

|         |       |  |
|---------|-------|--|
| 225327  | 17900 | Spool Rest (for two spools) (flat) with 201018C  |
| 150203  | 17900 | Spool Rest Cushion (felt)  |
| 225308  | 17900 | " " Rod  |
| 200533C | 17900 | " " " Set Screw  |
| 201018C | 17900 | " " Set Screw  |
| 202490  | 17900 | " Stand with 200383C   |
| 225391  | 17900 | Thread Guide   |
| 201696J | 17900 | " " Lock Nut   |
| 225326  | 17900 | " " Position Cup   |
| 225324  | 17900 | " " Rod with 208E and 225322   |
| 208E    | 17900 | " " " Screw  |
| 225322  | 17900 | " " " Washer   |
| 225258  | 17900 | Thread Unwinder (for two spools) complete, Nos. 201696J, 202490, 225257, 225324, 225326, 225388, two each 150203, 225391 and three wood screws 7/8 in., No. 12 |

## FOOT LIFTER AND STARTING TREADLE

|         |       |  |
|---------|-------|--|
| 264529  | 15312 | Foot Lifter Lever  |
| 236787  | 15312 | " " " Chain, 57 in. long, with two 202784                    |
| 202784  | 15312 | Foot Lifter Lever Chain Hook                                 |
| 264530  | 15312 | " " Treadle with two 356C                                    |
| 356C    | 15312 | " " " Set Screw  |
| 264531  | 15312 | Starting Treadle with two 356C                               |
| 202468  | 15312 | " " Pitman Rod (lower or upper)                              |
| 204126  | 15312 | Starting Treadle Pitman Rod Clamp with two 200530C           |
| 200530C | 15312 | Starting Treadle Pitman Rod Clamp Set Screw                  |
| 227980  | 15312 | Starting Treadle Pitman complete, Nos. 204126 and two 202468 |



| No.    | Plate | Name   |
|--------|-------|--|
| 356C   | 15312 | Starting Treadle Set Screw   |
| 264532 | 15312 | " " Shaft  |
| 264533 | 15312 | " " " Lever with three<br>356C   |
| 356C   | 15312 | Starting Treadle Shaft Lever Set Screw   |
| 264536 | 15312 | " " " Stand with two wood<br>screws 1 in., No. 12  |
| 264534 | 15312 | Foot Lifter and Starting Treadle complete, Nos. 227980, 236787, 264529 to<br>264533 and two 264536<br>(Other Foot Lifter Parts are listed with parts<br>of machine head) |

## MISCELLANEOUS PARTS

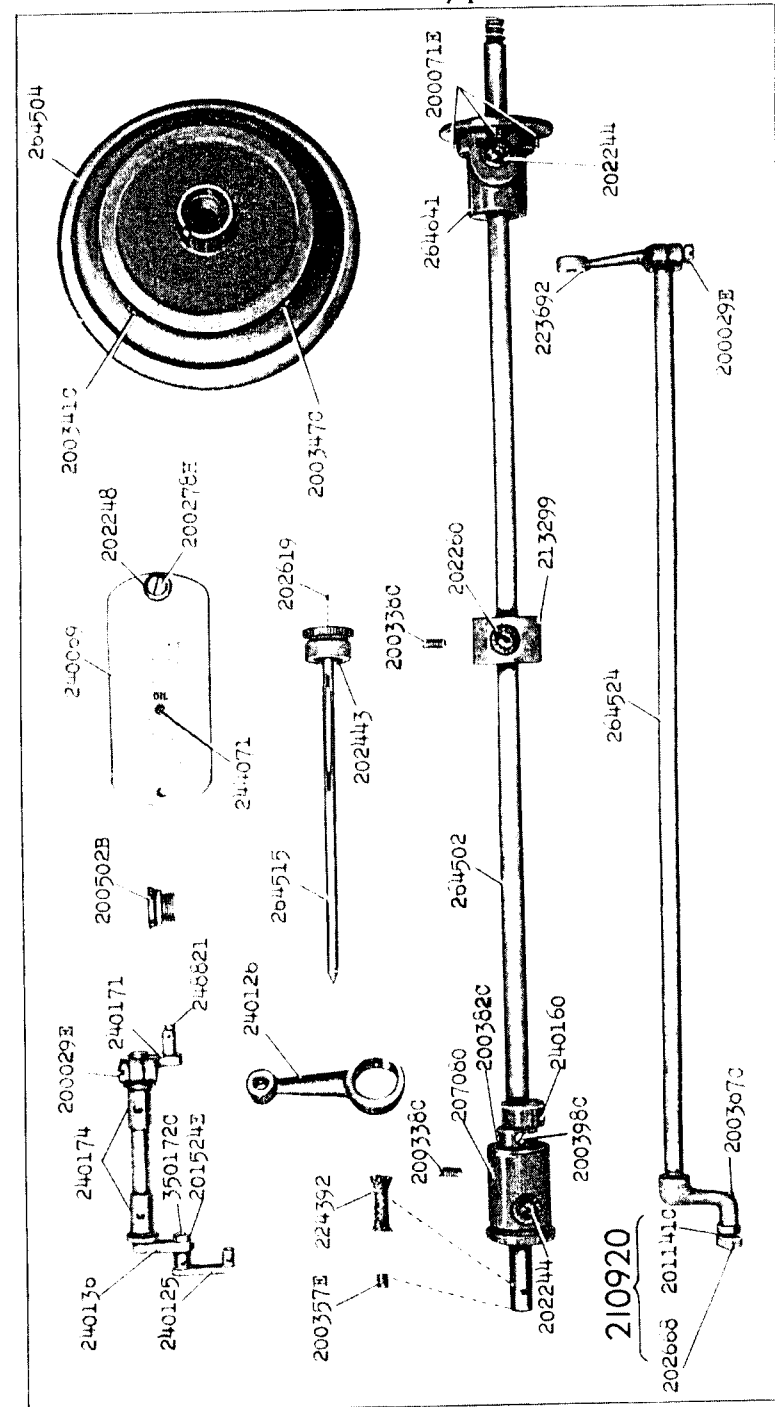
USED IN CONJUNCTION WITH THREAD UNWINDER

|        |       |                           |
|--------|-------|---------------------------|
| 60913  | 17900 | Spool Weight with 60914   |
| 60914  | 17900 | " " Center Pin            |
| 225377 | 17900 | " Wire (for small spools) |
| 27739  | 17900 | Thread Cone (wood)        |
| 225390 | 17900 | " " Holder                |

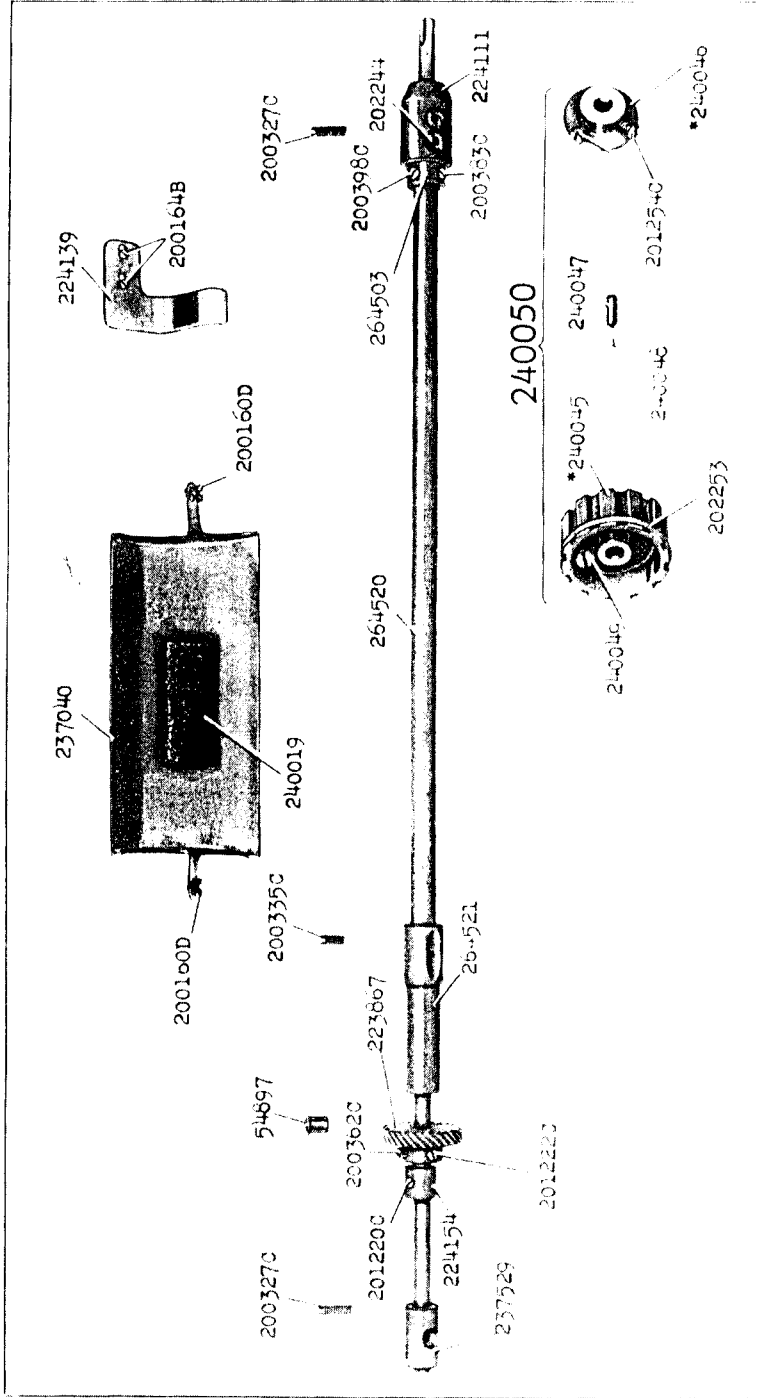
Genuine Singer Needles should be used  
in Singer Machines.  
These Needles and their Containers  
are marked with the  
Company's Trade Mark "SIMANCO."

Needles in Containers marked  
"For Singer Machines"  
are not Singer made needles.

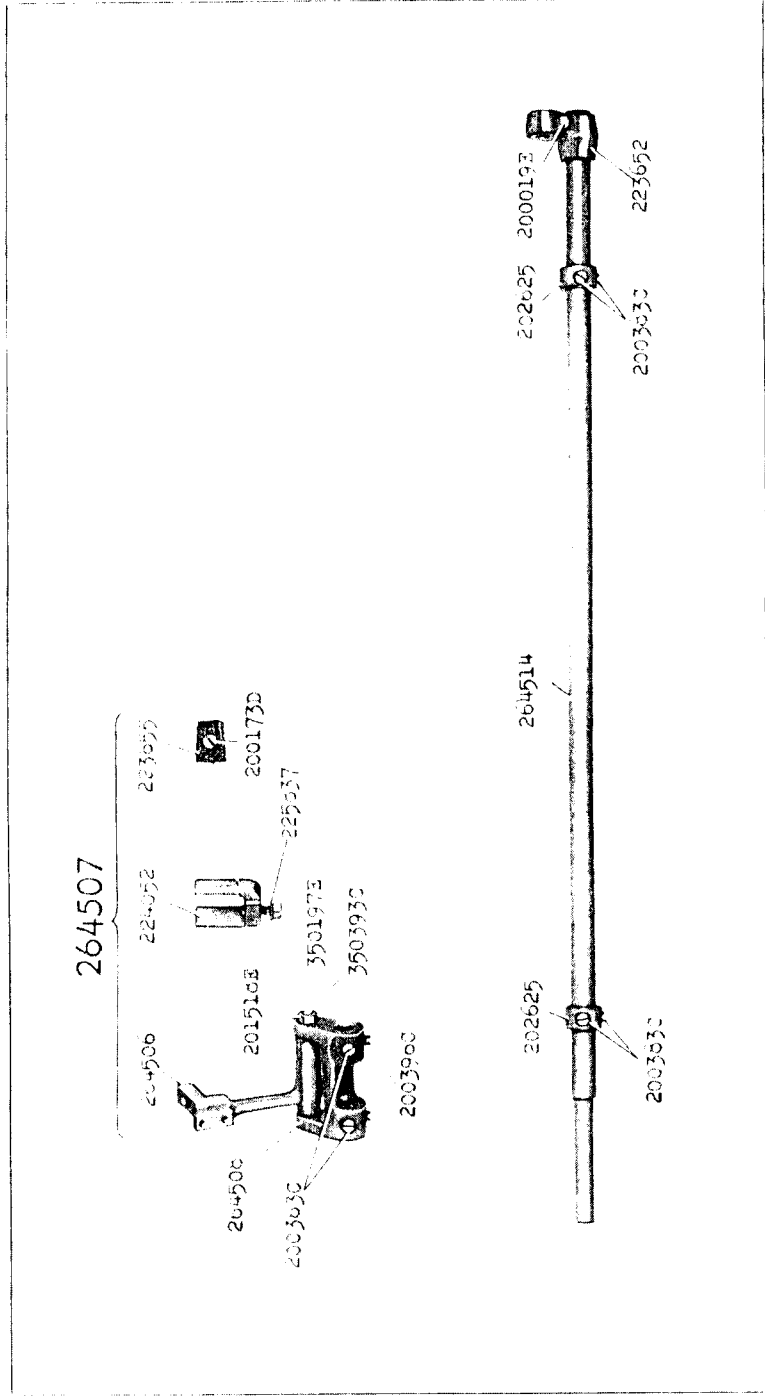
15301 - 1/4



15302 - 1/4



15303 - 1/4



15304 - 3/8

237043

200256C

201525E

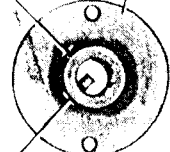
237521



224108

200383C

200437C



201522E

200383C

200429C

202301

204513

200607C

202277

200833C

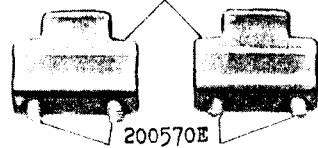
223693

201171C

202277

201517E

202258



200570E

200602E

224104

202253

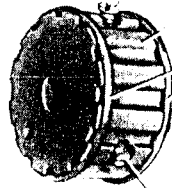
224103

200327C

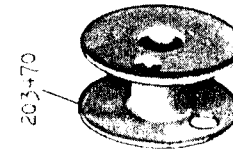
202330

200049D

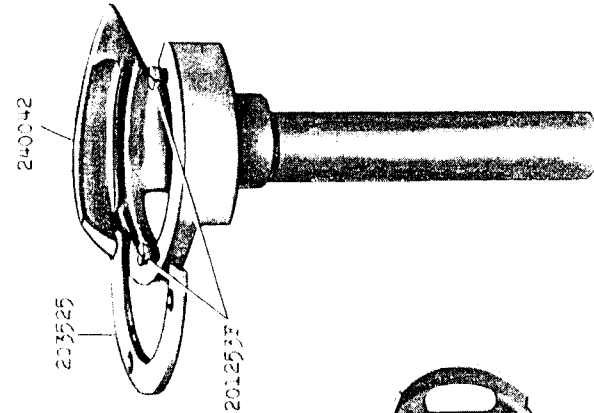
237565



15305



203470

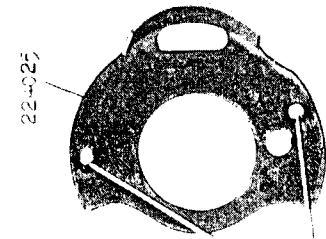


240042

203525

201253E

240207



224025

233765

2009047

203214

200540C

3504050

241075

241074

203216

203047

3504050

203470

203470

203216

203047

2009047

200540C

3504050

241075

241074

203216

203047

3504050

203470

203470

203216

203047

2009047

200540C

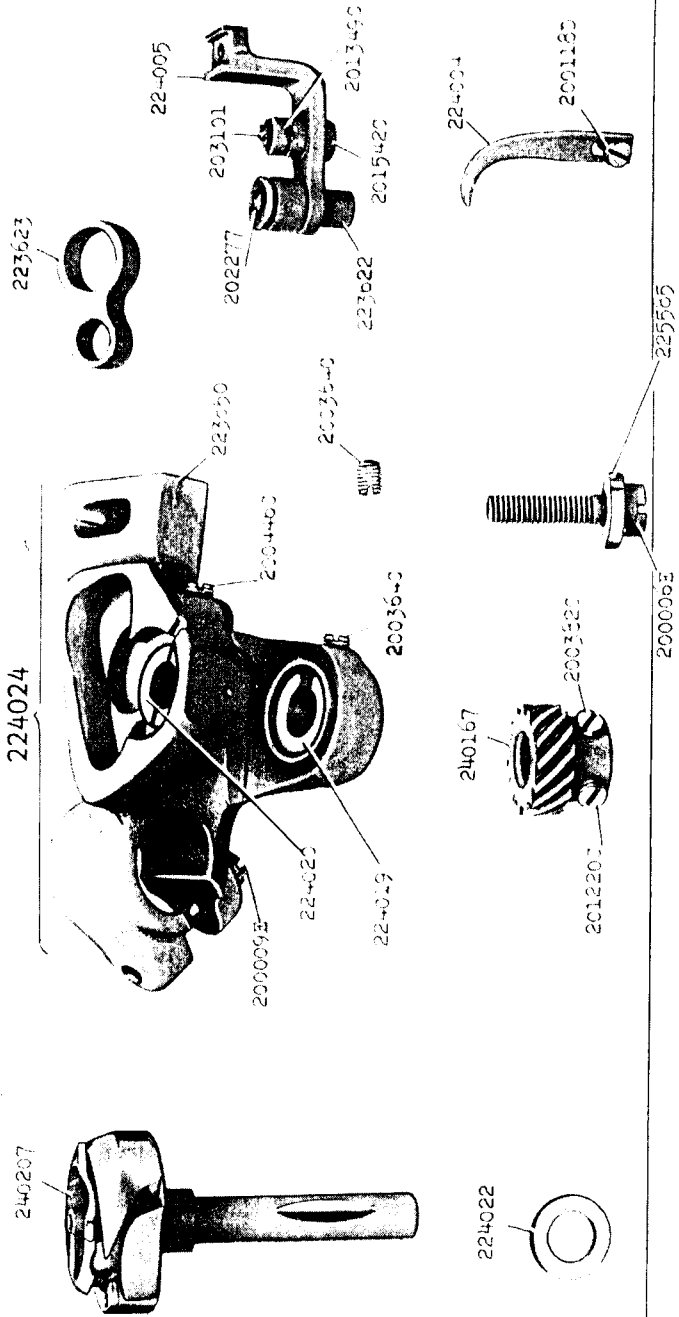
3504050

241075

241074

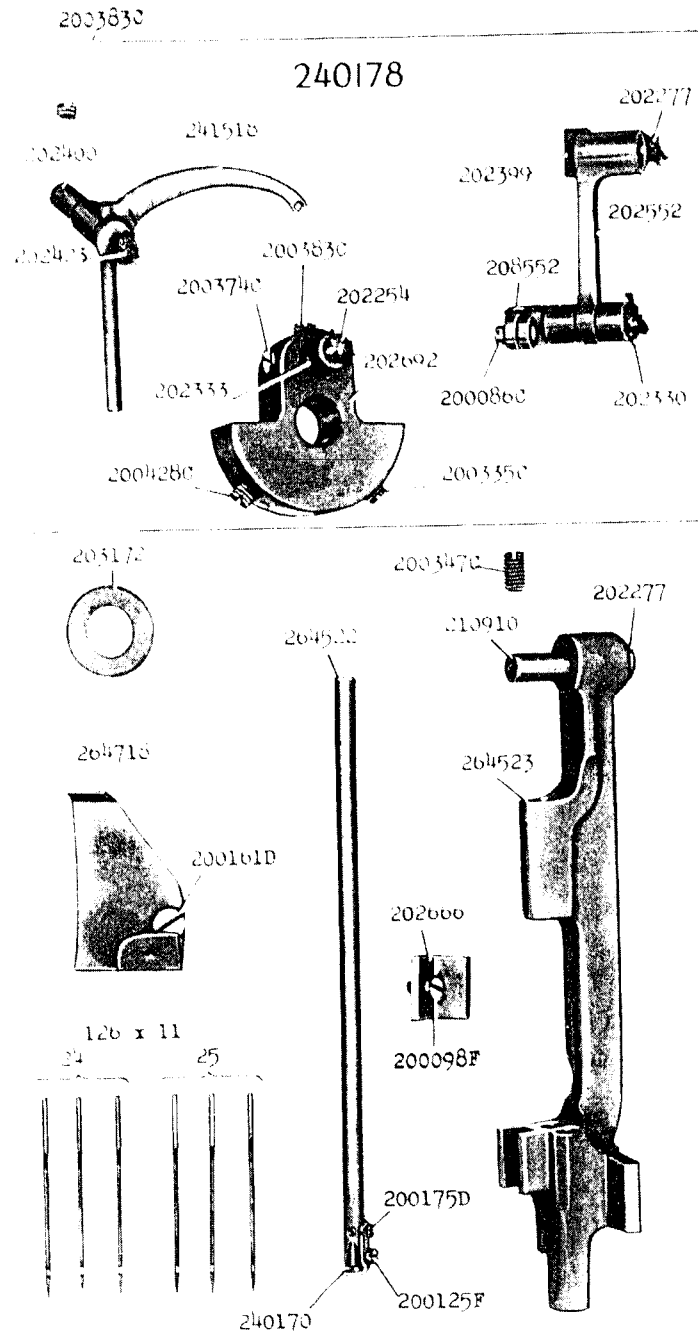
15306 - 2/3

240177

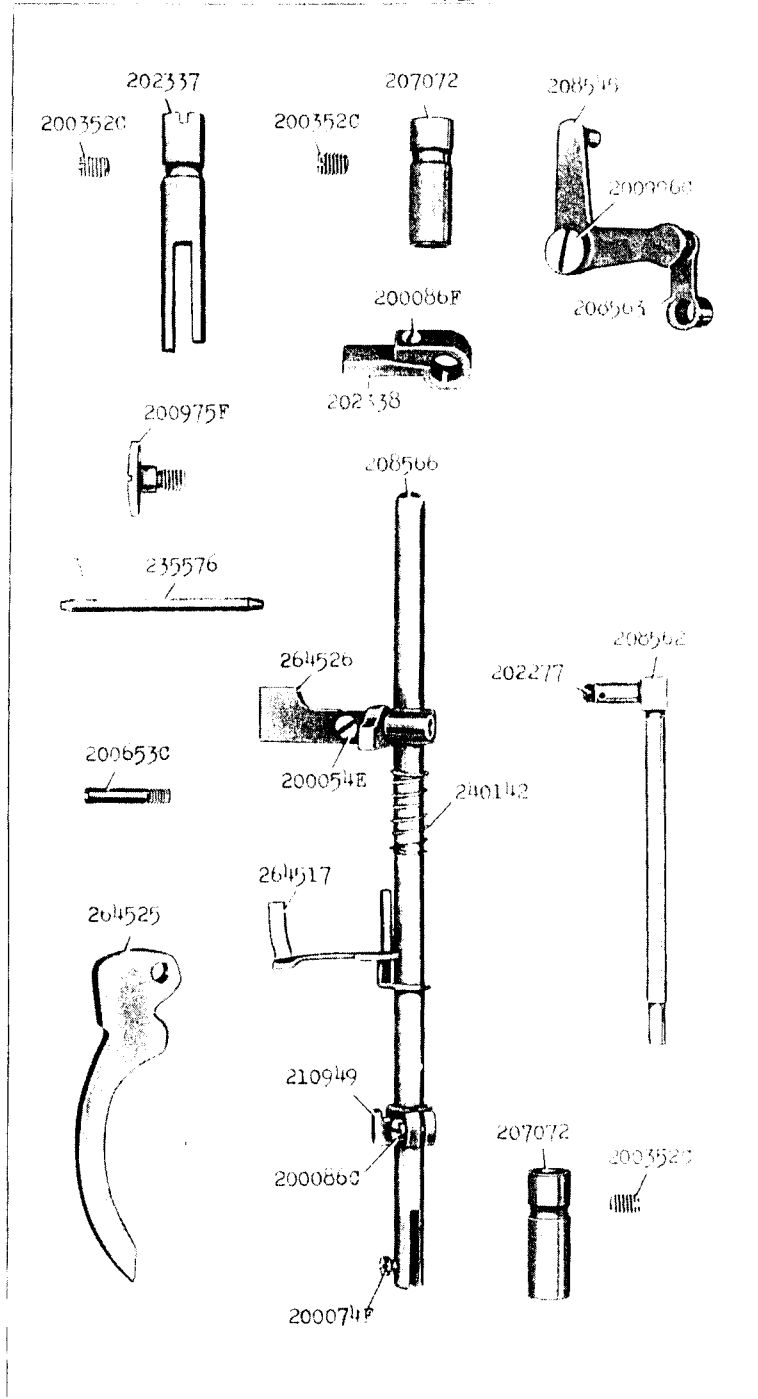


15307 - 1/2

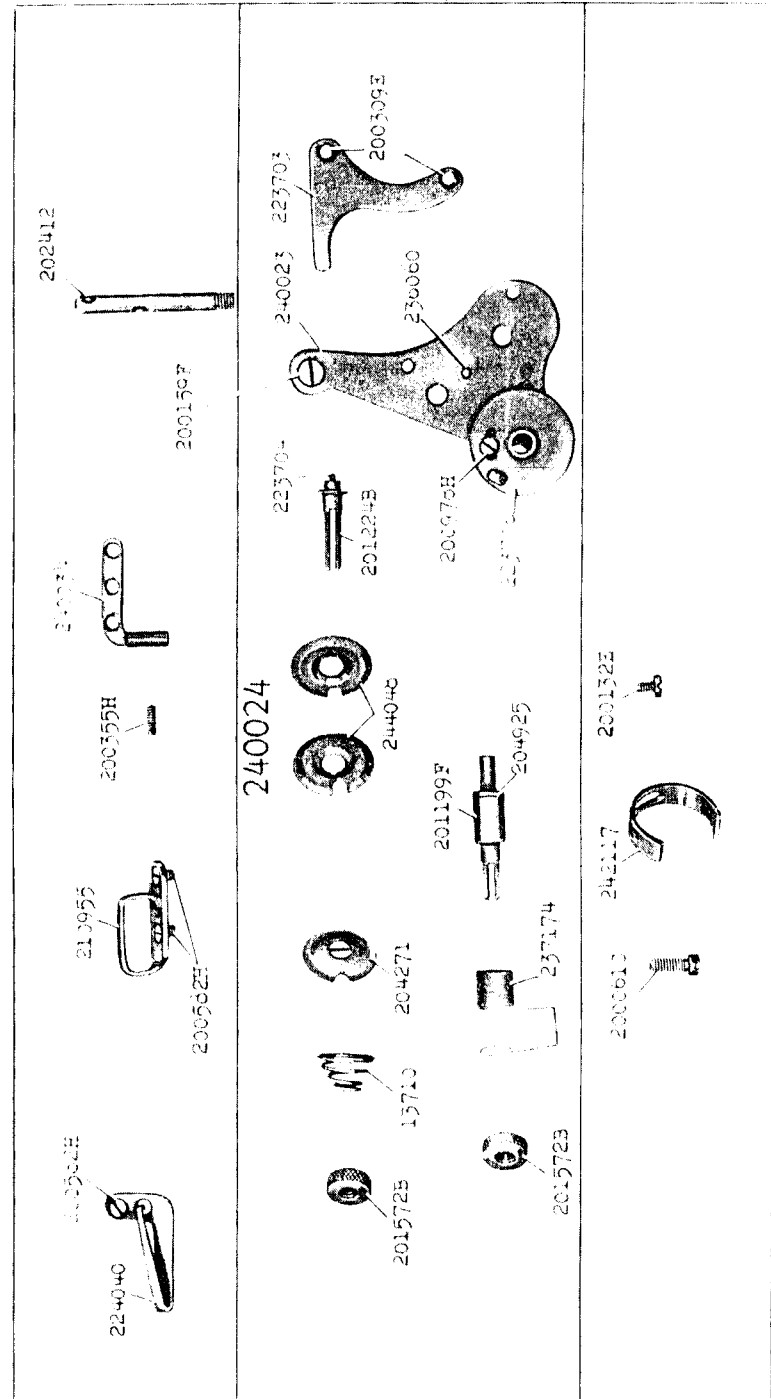
240178



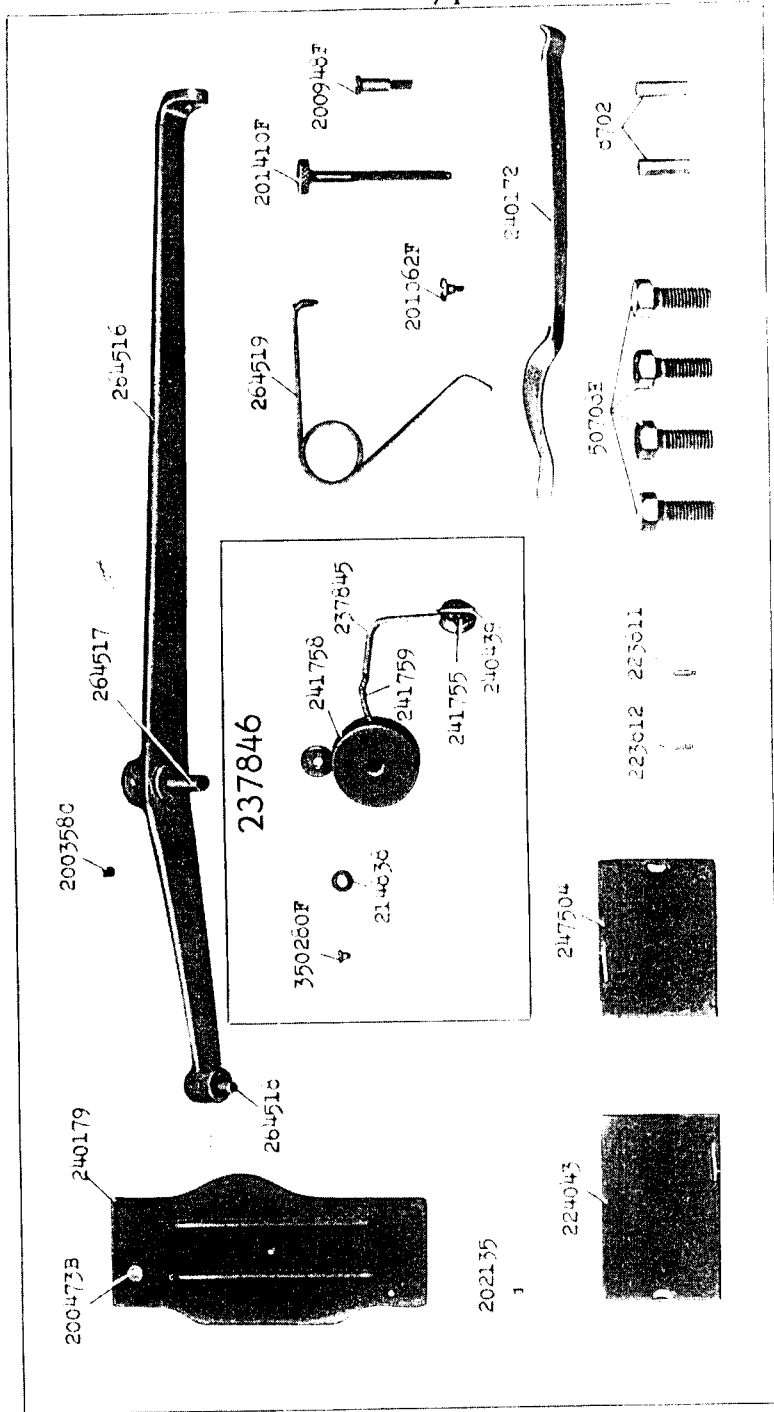
15308 - 1/2



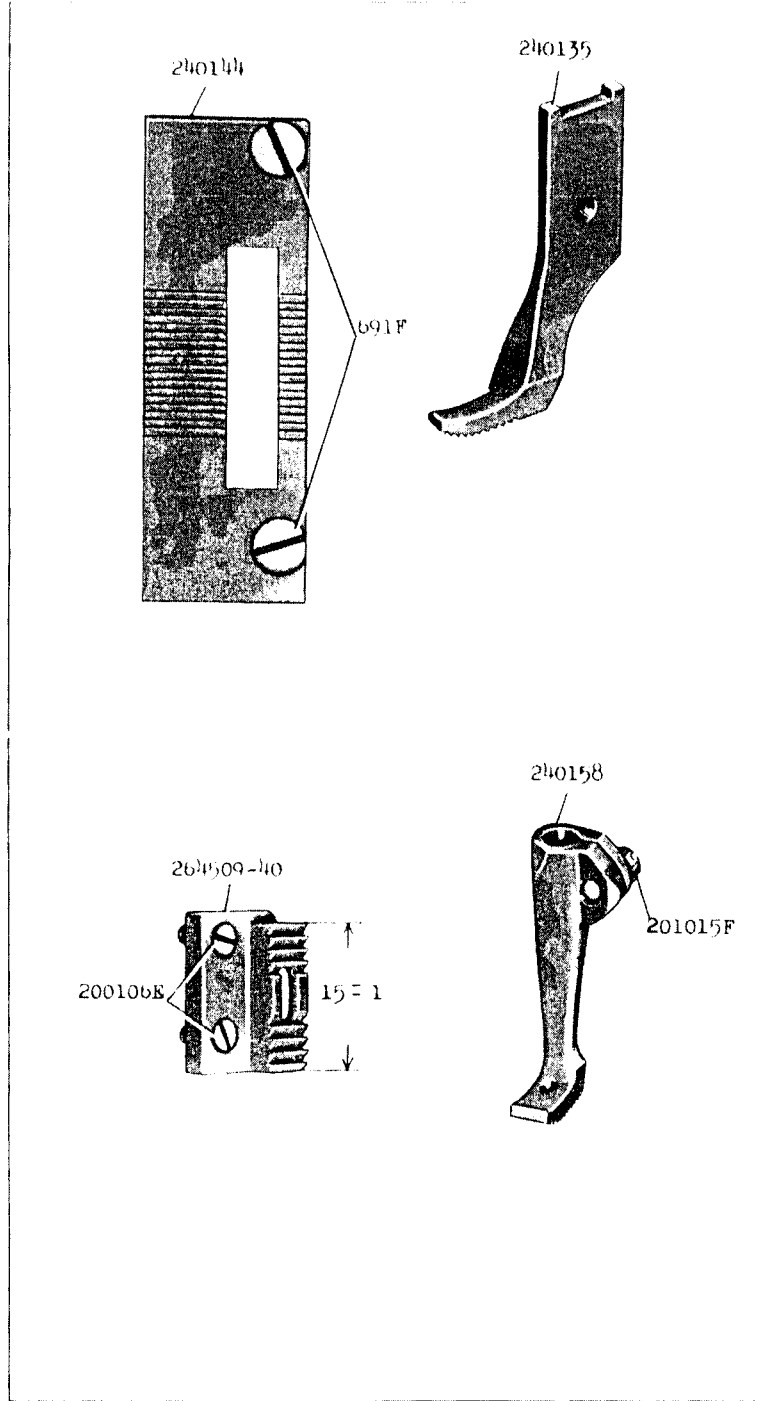
15309 - 1/2



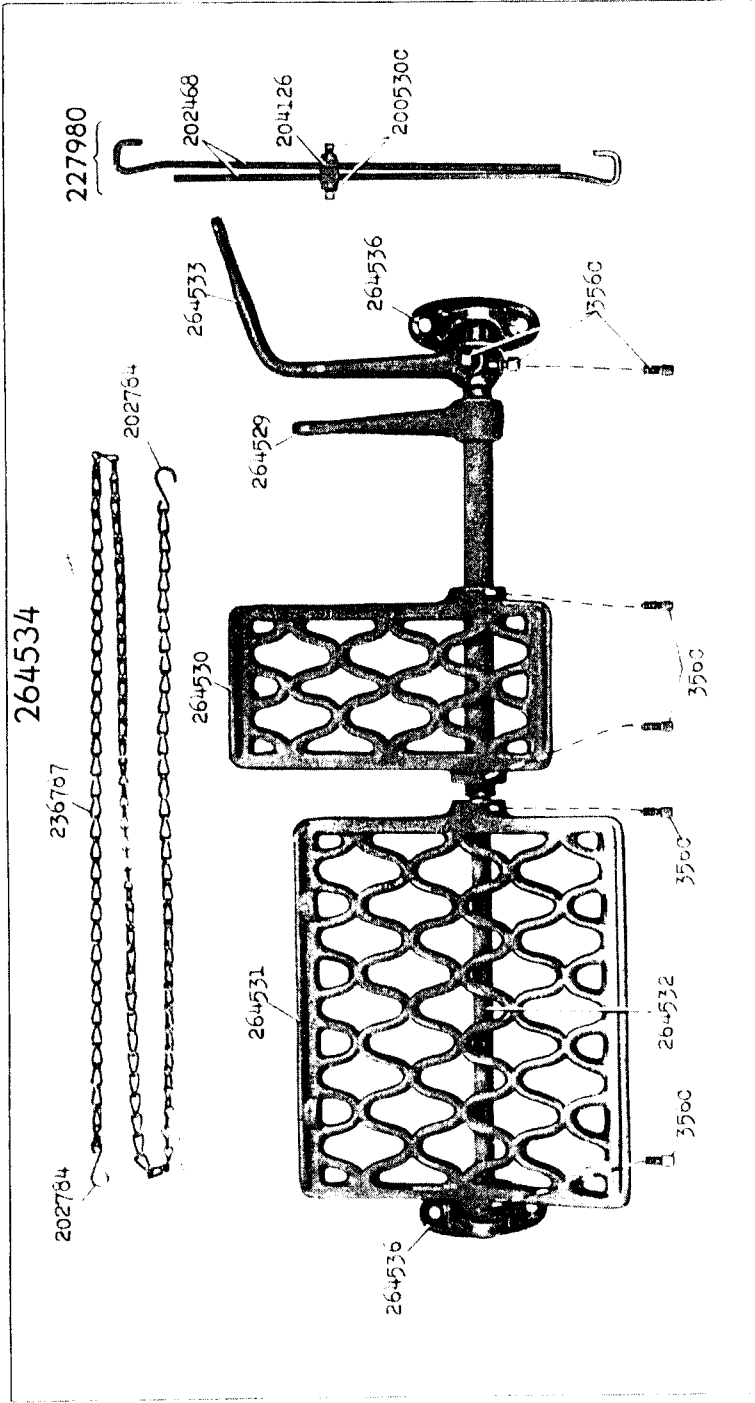
15310 - 1/4



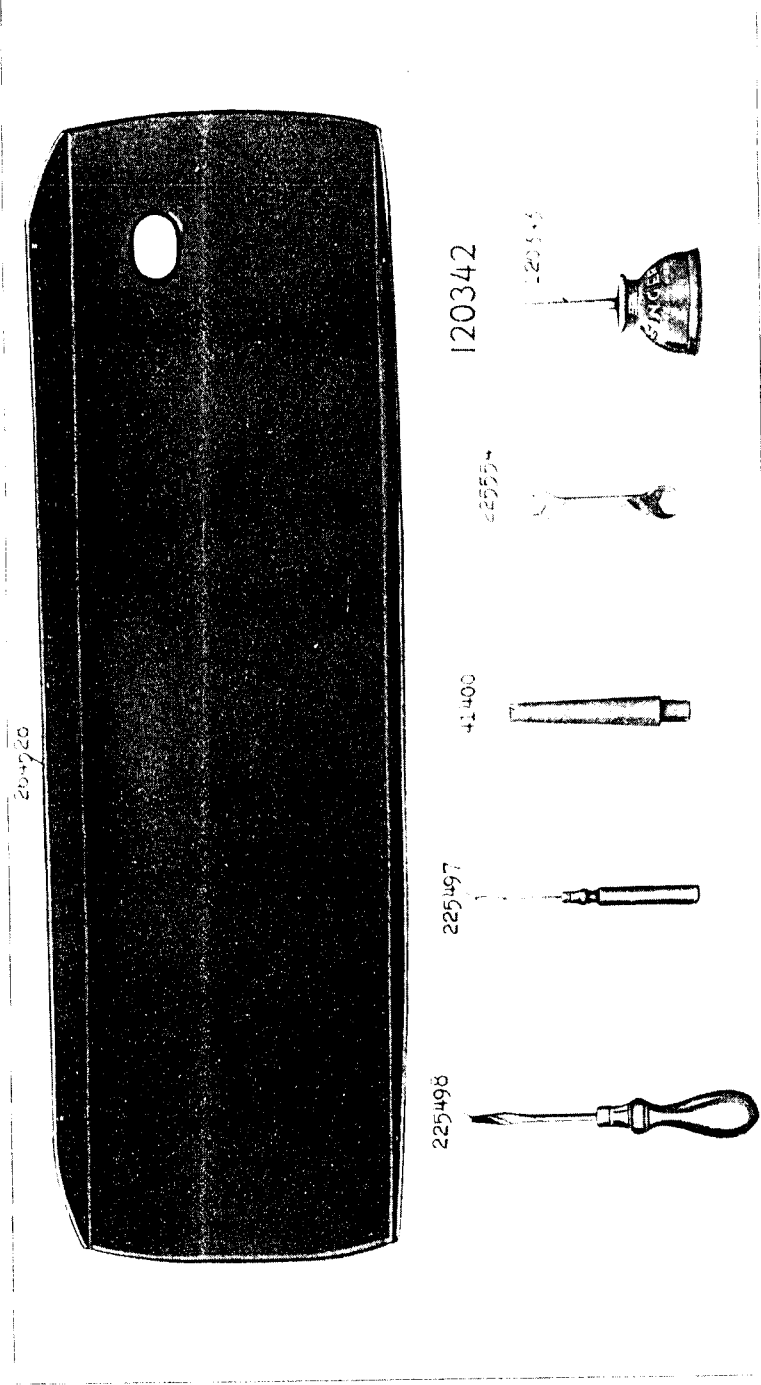
15311



15312 - 1/5



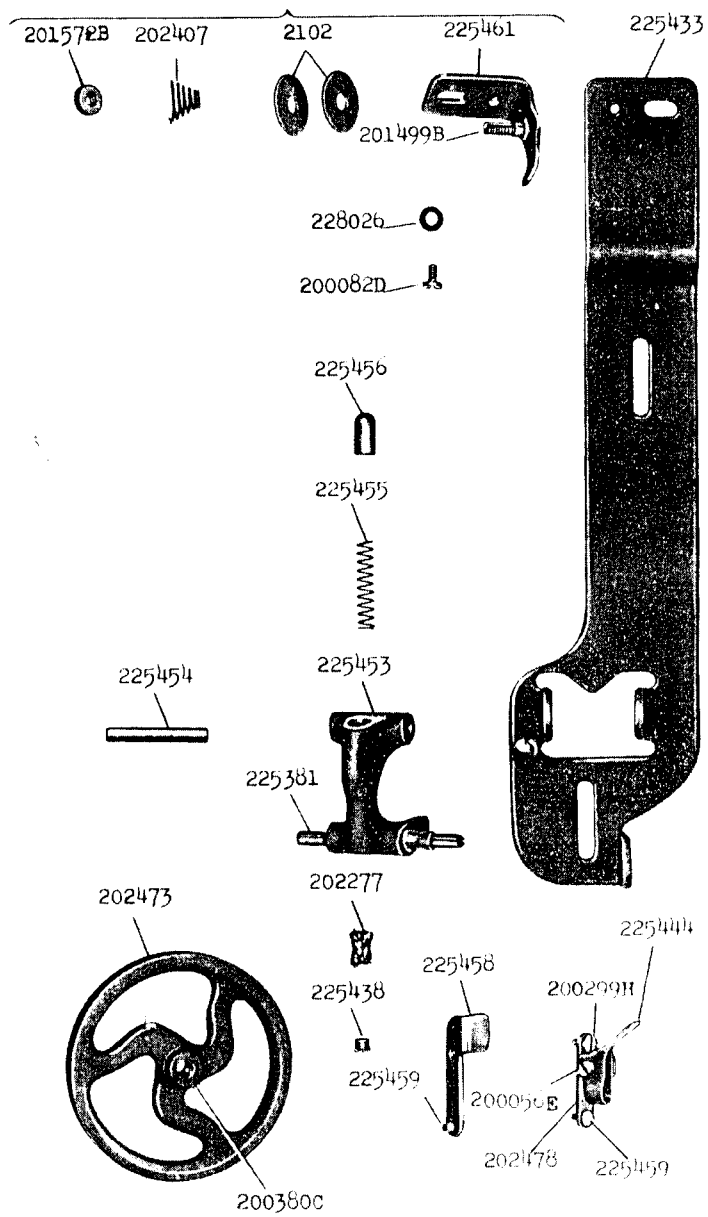
15313 - 1/5



17619 - 1/3

225382

225462



17900 - 1/6

225258

